

## 478 Series Hospitality TVs

22" Class LED	HG22NE478KFXZA	50" Class LED	HG50NE478SF
32" Class LED	HG32NE478BF	55" Class LED	HG55NE478BF
40" Class LED	HG40NE478SF	65" Class LED	HG65NE478EF
43" Class LED	HG43NE478SF		



# SAMSUNG

# A premium LED experience from the LED industry leader



## 478 Series Hospitality TVs

### Affordable Direct-Lit LED LCD TVs with built-in b-LAN SONIFI™ integration

With the Samsung 478 Series Hospitality TVs, the leading LED panel manufacturer in the world allows you to deliver a premium experience to your guests, while still being budget-conscious. The 478 Series features slim direct-lit LED technology, to deliver all the benefits of LED, while doing it more affordably. You get big, bright, beautiful pictures, while cost of entry is similar to that of a traditional CCFL back-lit option. LED uses up to 50% less energy, too, helping you conserve and save money. Content management is made simple with the Samsung REACH 4.0 management solution. Samsung's LYNK™ DRM technology protects content, while offering guests a seamless viewing experience. It's the platform that delivers an at-home, in-room experience. And it's from Samsung.

### Key features



#### Direct-Lit LED technology

Direct-lit LED technology provides the brilliance and energy savings advantages of LED technology, along with the uniform brightness typical of CCFL displays. And it does it all with an efficiency that makes it a more affordable technology. In fact, it's possible to upgrade your rooms to LED technology for a cost comparable to CCFL technology.



#### Samsung LYNK™ HD content decryption DRM

Samsung's software-based DRM technology is integrated into the entire Samsung Hotel TV line. Samsung LYNK™ offers a robust solution to unlock premium HDTV content from content providers such as cable, satellite and VOD providers, with maximum efficiency and security.



#### Pro:Idiom™ HD content decryption DRM

The 478 Series is equipped with Pro:Idiom™ MPEG4 technology, making the TVs compatible with most major VOD/PPV systems. You can offer your guests premium HDTV content from cable, satellite or video-on-demand services with no optional cards or external box needed.



#### b-LAN™ (SONIFI™ integration)

Broadband Local Area Network (b-LAN™) integrates SONIFI technology that allows televisions to work right out of the box in the SONIFI system without any need for terminals or cards.



#### A host of features

Features include: Home Menu, RJ12 IR PASS, Volume Limiters, Rear Panel Lock-out, Menu Display Lock-out, Hotel Custom Logo/Welcome Message, Channel List Guide, Channel Re-mapping, Remote Jack Pack (RJP) Priority, USB Cloning and Anti-Theft Battery Cover Remote Control. Additionally, the display pedestal stand rotates 90° in both directions (excludes 22" model).

### Hospitality TV sales:

1-888-727-2664 | 1-866-SAM4BIZ

[samsung.com/business](http://samsung.com/business)

[samsung.com/b2bhospitalitytvs](http://samsung.com/b2bhospitalitytvs)

### Follow us

[youtube.com/samsungbizusa](https://www.youtube.com/samsungbizusa)

[@SamsungBizUSA](https://twitter.com/SamsungBizUSA)

# Samsung 478 Series Hospitality TVs

Samsung Hospitality TVs are loaded with features that provide premier guest satisfaction, while making your job easier.

## Hospitality Features

### Hotel mode plug & play

Interactive stand-alone.

### USB cloning

A quick and easy way to copy the ideal settings of television to others on the property. Saves time and helps provide a consistent viewing experience for all televisions.

### Hotel channel list

Guest master channel listing of program content. This will display content in analog or HD.

### Hotel TV (RJ-12/IR pass through)

Connecting Interactive STB/SBD (Set Top/Back Box).

### Hotel logo display with time out setting

Display hotel logo bitmap files as a greeting startup display.

### Lockout controls

The hotelier can enable front panel and menu display lock-outs.

### Power on status setting

Power always on, last option or standby.

### Anti-theft battery cover

Battery door is secured, helping to always keep batteries in the remote controller.

### Auto channel search

Auto detect channel while in hotel mode.

### Multi-code remote

Eliminates interference when two or more TVs are used in close proximity.

### Samsung LYNK™ REACH 4.0 content management solution

Samsung's LYNK REACH 4.0 fuses the benefits of its SINC and REACH hospitality technologies to offer a comprehensive content management solution. LYNK REACH 4.0 enhances the guest experience with efficiency-enhancing technology and perks ranging from more information delivery channels to convenient communication options and efficient room management. As a unified content management solution, LYNK REACH 4.0 accommodates LAN, WIFI and coaxial infrastructures to amplify hotel management, monitoring and guest service functions. Transferred by proprietary management server (PMS) and customized templates, hospitality users can create and deliver personalized service for a more memorable experience. This includes access to a range of IP channels and RF channels, applications and services mirroring what guests expect at home and on their mobile devices. LYNK REACH 4.0 additionally enables two-way communication between hotel management and guests. The solution's efficient remote control capability for in-room display ensures quality service delivery in real time without in-room labor and maintenance.

### Pro:Idiom™ HD content decryption DRM

Pro:Idiom is a registered trademark of the Zenith Corporation. May be used as an alternative DRM solution on some models.

### b-LAN™

Broadband Local Area Network (b-LAN) integrates LodgeNet's technology that allows television to work right out of the box in LodgeNet system without any need for terminal or cards.

### Sleep timer

Set TV turn-off time in 30-minute intervals up to 180 minutes.

### Closed captioning

A text display of all audio content including spoken dialog and non-speech information such as the identity of the speakers and symbols for sound effects and music.

### On screen display language

English/French/Spanish.

### Picture-in-picture

Display one program while another is being displayed on the full TV screen at the same time.

### Clock on timer and alarm key

Allows the guest to program the TV to turn on as a wake-up alarm.

## Connections

### Anynet + (HDMI – CEC)

Samsung protocol that allows the user to control other HDMI devices connected to the TV display. Examples of these devices are DVD and Soundbars.

### ConnectShare™ (USB 2.0)

Connect a thumb drive or digital camera quickly and easily. User-friendly interface allows access to videos, a music playlist and pictures via the remote.

### Interactive compatibility system



### Remote Jack Panel (RJP) compatibility



## Picture quality and audio

### Auto volume limiter

During initial product setup, minimum and maximum volume levels can be locked to help minimize disturbance to other hotel guests.

### Music mode (input: HDMI/PC/AV/component)

When picture is muted, allows audio feedback.

### Music mode backlight on/off

Background Display.

### Swivel stand

Samsung Hospitality Displays pedestal stand rotates 90 degrees in both directions so wherever in the room your guests are, they should have an excellent view of their TV (excludes 22" model). Swivel stand includes integrated mounting plate and bolt-down kit.

### Samsung soundbar compatible

Samsung Hospitality Displays enable Soundbar compatibility by supporting HDMI-CEC. When you connect the Soundbar to the Samsung Hospitality Display with an HDMI cable, the TV audio settings and menu lock feature are automatically applied, so you don't have to set up the Soundbar separately. You can also prevent guests from changing the settings. With one single remote, guests can control both the TV and Soundbar simultaneously.

## Warranty

2-year parts and 2-year labor warranty backed by Samsung Hospitality Hotline 1-866-894-0524. Optional professional installation, accessories and extended warranty are available.

Samsung 478 Series Hospitality TVs



Digital Rights Management (DRM)

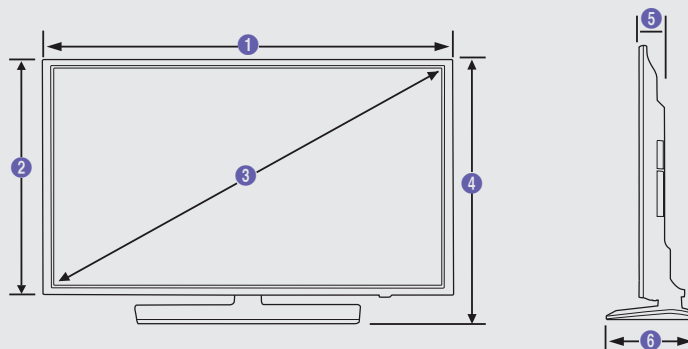
Pro:Idiom™ HD Content Decryption DRM (RF) Pro:Idiom

The 478 Series is equipped with Pro:Idiom™ MPEG4 technology, making the TVs compatible with most major VOD/PPV systems. You can offer your guests premium HDTV content from cable, satellite or video-on-demand services with no optional cards or external box needed.

Samsung LYNK™ HD Content Decryption DRM (RF) LYNK

Samsung's software-based DRM technology is integrated into the entire Samsung Hotel TV line. Samsung LYNK™ offers a robust solution to unlock premium HDTV content from content providers such as cable, satellite and VOD providers, with maximum efficiency and security.

Dimensions



22" | HG22NE478KFXZA - 1080p

1	2	3	4	5	6
20.0"	12.5"	22.0"	14.0"	1.8"	6.0"

32" | HG32NE478BF - 1080p

1	2	3	4	5	6
28.4"	16.7"	32.0"	18.4"	2.6"	7.6"

40" | HG40NE478SF - 1080p

1	2	3	4	5	6
36.3"	20.9"	40.0"	22.9"	2.8"	8.9"

43" | HG43NE478SF - 1080p

1	2	3	4	5	6
38.8"	22.6"	43.0"	24.6"	2.8"	8.9"

50" | HG50NE478SF - 1080p

1	2	3	4	5	6
44.9"	26.1"	50.0"	28.1"	2.9"	8.9"

55" | HG55NE478BF - 1080p

1	2	3	4	5	6
48.5"	27.9"	55.0"	30.1"	2.7"	8.9"

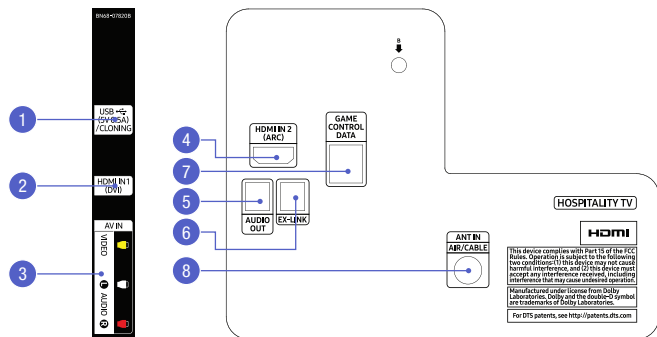
65" | HG65NE478EF - 1080p

1	2	3	4	5	6
57.3"	32.9"	65.0"	35.8"	2.8"	14.0"

Connectivity

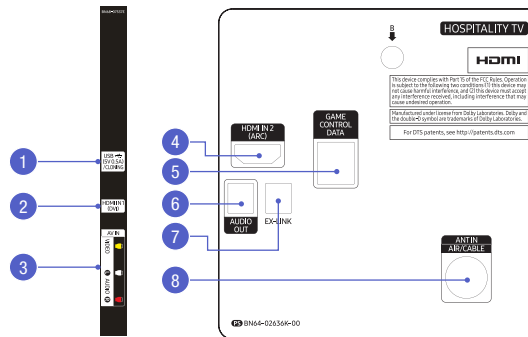
HG22NE478KFXZA

- 1. USB (5C 0.5A) / Cloning
- 2. HDMI In 1 (DVI)
- 3. AV In (Video, Audio L/R)
- 4. HDMI In 2 (ARC)
- 5. Audio Out
- 6. Ex-Link
- 7. Game Control Data
- 8. Antenna In (Air / Cable)



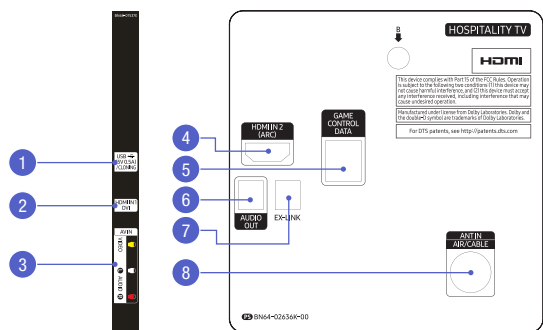
HG55NE478BF

- 1. USB (5C 0.5A) / Cloning
- 2. HDMI In 1 (DVI)
- 3. AV In (Video, Audio L/R)
- 4. HDMI In 2 (ARC)
- 5. Game Control Data
- 6. Audio Out
- 7. Ex-Link
- 8. Antenna In (Air / Cable)



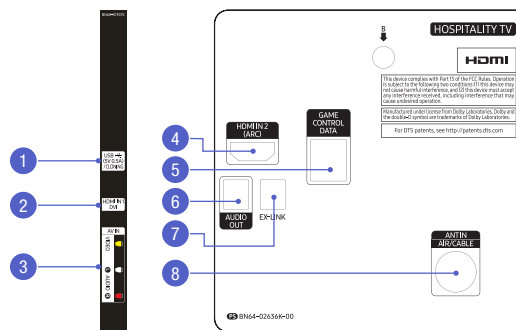
HG32NE478BF

- 1. USB (5C 0.5A) / Cloning
- 2. HDMI In 1 (DVI)
- 3. AV In (Video, Audio L/R)
- 4. HDMI In 2 (ARC)
- 5. Game Control Data
- 6. Audio Out
- 7. Ex-Link
- 8. Antenna In (Air / Cable)



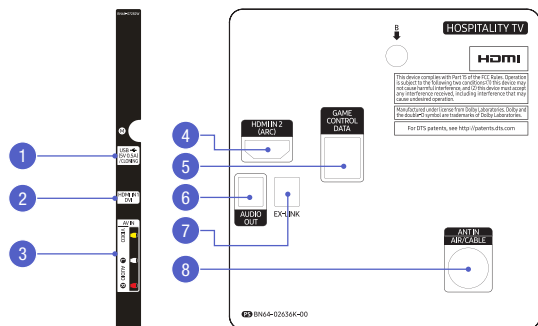
HG65NE478EF

- 1. HDMI In 2 (ARC)
- 2. Game Control Data
- 3. Audio Out
- 4. Ex-Link
- 5. Antenna In (Air / Cable)



HG40NE478SF / HG43NE478SF / HG50NE478SF

- 1. USB (5C 0.5A) / Cloning
- 2. HDMI In 1 (DVI)
- 3. AV In (Video, Audio L/R)
- 4. HDMI In 2 (ARC)
- 5. Game Control Data
- 6. Audio Out
- 7. Ex-Link
- 8. Antenna In (Air / Cable)



## Samsung 478 Series Hospitality TVs

### Samsung 478 Series Hospitality TVs Key Specifications For complete product specifications, visit [samsung.com/b2bhospitalitytvs](http://samsung.com/b2bhospitalitytvs)

		HG22NE478KFXZA	HG32NE478BF	HG40NE478SF	HG43NE478SF
Display	Backlight	LED	LED	LED	LED
	Screen Size (Diagonal)	22"	32"	40"	43"
	HD/FHD/UHD	FHD	FHD	FHD	FHD
	Resolution	1920 x 1080	1920 x 1080	1920 x 1080	1920 x 1080
Video	Picture Engine	HyperReal	HyperReal	HyperReal	HyperReal
	Dynamic Contrast Ratio	Mega Contrast	Mega Contrast	Mega Contrast	Mega Contrast
	Viewing Angle (Horizontal/Vertical)	178/178	178/178	178/178	178/178
	Wide Color Enhancer (Plus)	Yes	Yes	Yes	Yes
	Auto Motion Plus	N/A	N/A	N/A	N/A
Audio	Film Mode	Yes	Yes	Yes	Yes
	Dolby Digital Plus	Yes	Yes	Yes	Yes
	DTS Codec	Yes	Yes	Yes	Yes
	Sound Output (RMS)	6W (L:3W, R:3W)	10W (L:5W, R:5W)	20W (L:10W, R:10W)	20W (L:10W, R:10W)
	Speaker Type	2CH (Down Firing w/Bass Reflex)	2CH (Down Firing w/Bass Reflex)	2CH (Down Firing w/Bass Reflex)	2CH (Down Firing w/Bass Reflex)
SMART TV	Wall Mount Sound Mode	Yes	Yes	Yes	Yes
	Smart TV Type	Non Smart	Non Smart	Non Smart	Non Smart
Features	Smart TV Type	Non Smart	Non Smart	Non Smart	Non Smart
	Accessibility	Voice Guide	Voice Guide	Voice Guide	Voice Guide
	Digital Clean View	Yes	Yes	Yes	Yes
	Auto Channel Search	Yes	Yes	Yes	Yes
	Auto Power Off	Yes	Yes	Yes	Yes
	Caption (Subtitle)	Yes	Yes	Yes	Yes
	ConnectShare™ (USB 2.0)	Yes	Yes	Yes	Yes
	Sports/Football Mode	Yes	Yes	Yes	Yes
	EPG	Yes	Yes	Yes	Yes
	Game Mode	Yes	Yes	Yes	Yes
	OSD Language	English, Spanish, French	English, Spanish, French	English, Spanish, French	English, Spanish, French
System	Picture-In-Picture	Yes	Yes	Yes	Yes
	Digital Broadcasting	ATSC/Clear QAM	ATSC/Clear QAM	ATSC/Clear QAM	ATSC/Clear QAM
Hospitality Features	Analog Tuner	Yes	Yes	Yes	Yes
	Samsung LYNK™ REACH (RF)	REACH 4.0	REACH 4.0	REACH 4.0	REACH 4.0
	Samsung LYNK™ REACH RF Modulator Compatibility	Yes	Yes	Yes	Yes
	Auto Source Mode	Yes	Yes	Yes	Yes
	Power On Mode	Yes	Yes	Yes	Yes
	Hotel Channel List	Yes	Yes	Yes	Yes
	Channel Menu Display	Yes	Yes	Yes	Yes
	Mixed Channel List (ATSC, DVB-T/T2/C/S2, Analog)	Yes	Yes	Yes	Yes
	My Channel	Yes	Yes	Yes	Yes
	Energy Saving Mode (BLU Control)	Yes	Yes	Yes	Yes
	Logo Display with Timer Out Setting (BMP/Movie)	Yes	Yes	Yes	Yes
	Welcome Message	Yes	Yes	Yes	Yes
	RJ12 / IR Pass Through	Yes	Yes	Yes	Yes
	Clock Back Up Power Supply	Yes	Yes	Yes	Yes
	Software Clock	Yes	Yes	Yes	Yes
	Multi Code Remote Control	Yes	Yes	Yes	Yes
	Screwed Battery Cover	Yes	Yes	Yes	Yes
	Sound Bar Compatibility	Yes	Yes	Yes	Yes
	Music Mode (Input: PC/AV/Component/HDMI)	Yes	Yes	Yes	Yes
	Music Mode Backlight On/Off	Yes	Yes	Yes	Yes
	USB Cloning	Yes	Yes	Yes	Yes
	Smovie Compatibility	Yes	Yes	Yes	Yes
	On/Off Timer (Schedule)	Yes	Yes	Yes	Yes
	Wake-up Timer (Alarm)	Yes	Yes	Yes	Yes
	Samsung LYNK™ DRM	Yes	Yes	Yes	Yes
	Prodiom	Yes	Yes	Yes	Yes
	bLAN	Yes	Yes	Yes	Yes
	Security Mode	Yes	Yes	Yes	Yes
	S/W EPG (Solution EPG)	Yes	Yes	Yes	Yes
	Input & Output	HDMI (Side/Rear)	1/1	1/1	1/1
USB (Side/Rear)		1/0	1/0	1/0	1/0
Composite In (AV) (Side/Rear)		1/0	1/0	1/0	1/0
Audio Out (Mini Jack / LR) (Side/Rear)		0/1	0/1	0/1	0/1
RF In (Terrestrial / Cable Input / Satellite Input) (Side/Rear)		0/1	0/1	0/1	0/1
Ex-Link (RS232C)		Common (RJP)	Common (RJP)	Common (RJP)	Common (RJP)
HDMI A / Return Ch. Support		Yes	Yes	Yes	Yes
Anynet+ (HDMI-CEC)		Yes	Yes	Yes	Yes
RJ12 (Side/Rear)		0/1	0/1	0/1	0/1
RJP Jack (Remote Jackpack) (Side/Rear)		0/1	0/1	0/1	0/1
Design	Front Color	Black	Black	Black	Black
	Stand Type	Square	Square	Square	Square
	Swivel (Left/Right)	No	90/90	90/90	90/90
Dimensions (W x H x D)	Set Size without Stand - Wall Mount Side (WxHxD) (mm/in)	506.9 x 317.1 x 41.3 / 20.0" x 12.5" x 1.6"	721.4 x 424.8 x 52.7 / 28.4" x 16.7" x 2.1"	922.7 x 530.7 x 58.8 / 36.3" x 20.9" x 2.3"	985.5 x 575.3 x 58.8 / 38.8" x 22.6" x 2.3"
	Set Size without Stand - Speaker Side (WxHxD) (mm/in)	506.9 x 317.1 x 46.8 / 20.0" x 12.5" x 1.8"	721.4 x 424.8 x 66.8 / 28.4" x 16.7" x 2.6"	922.7 x 530.7 x 72.0 / 36.3" x 20.9" x 2.8"	985.5 x 575.3 x 72.2 / 38.8" x 22.6" x 2.8"
	Set Size with Stand (WxHxD) (mm/in)	506.9 x 355.2 x 151.8 / 20.0" x 14.0" x 6.0"	721.4 x 466.3 x 192.6 / 28.4" x 18.4" x 7.6"	922.7 x 582.3 x 226.5 / 36.3" x 22.9" x 8.9"	985.5 x 624.2 x 226.5 / 38.8" x 24.6" x 8.9"
	Package Size (WxHxD) (mm/inch)	684.0 x 367.0 x 105.0 / 26.9" x 14.4" x 4.1"	898.0 x 514.0 x 135.0 / 35.4" x 20.2" x 5.3"	1097.0 x 143.0 x 614.0 / 43.2" x 5.6" x 24.2"	1162.0 x 649.0 x 142.0 / 45.7" x 25.6" x 5.6"
Weight	Set Weight without Stand (kg / lbs)	3.1 / 6.8	4.8 / 10.6	6.8 / 15.0	7.7 / 17.0
	Set Weight with Stand (kg / lbs)	3.3 / 7.3	6.4 / 14.1	9.7 / 21.4	10.7 / 23.6
	Package Weight (kg / lbs)	4.2 / 9.3	8.1 / 17.9	12 / 26.5	12.8 / 28.2
Power	Power Supply (V)	AC110-120V 50/60Hz	AC110-120V 60Hz	AC110-120V 60Hz	AC110-120V 60Hz
Accessory	Remote Controller Model	TM1240A	TM1240A	TM1240A	TM1240A
	Batteries (for Remote Control)	Yes	Yes	Yes	Yes
	Mini Wall Mount Support	Yes	Yes	Yes	Yes
	Vesa Wall Mount Support	Yes	Yes	Yes	Yes
	Power Cable	Yes	Yes	Yes	Yes
	Quick Install Guide	Yes	Yes	Yes	Yes
	Stand Mount Kit	No	Yes	Yes	Yes
	Security Screws (Stand Base)	No	Yes	Yes	Yes

## Samsung 478 Series Hospitality TVs

### Samsung 478 Series Hospitality TVs Key Specifications For complete product specifications, visit [samsung.com/b2bhospitalitytvs](http://samsung.com/b2bhospitalitytvs)

		HG50NE478SF	HG55NE478BF	HG65NE478EF	
Display	Backlight	LED	LED	LED	
	Screen Size (Diagonal)	50"	55"	65"	
	HD/FHD/UHD	FHD	FHD	FHD	
	Resolution	1920 x 1080	1920 x 1080	1920 x 1080	
Video	Picture Engine	HyperReal	HyperReal	HyperReal	
	Dynamic Contrast Ratio	Mega Contrast	Mega Contrast	Mega Contrast	
	Viewing Angle (Horizontal/Vertical)	178/178	178/178	178/178	
	Wide Color Enhancer (Plus)	Yes	Yes	Yes	
	Auto Motion Plus	N/A	N/A	Yes	
Audio	Film Mode	Yes	Yes	Yes	
	Dolby Digital Plus	Yes	Yes	Yes	
	DTS Codec	Yes	Yes	Yes	
	Sound Output (RMS)	20W (L:10W, R:10W)	20W (L:10W, R:10W)	20W (L:10W, R:10W)	
SMART TV	Speaker Type	2CH (Down Firing w/Bass Reflex)	2CH (Down Firing w/Bass Reflex)	2CH (Down Firing w/Bass Reflex)	
	Wall Mount Sound Mode	Yes	Yes	Yes	
Features	Smart TV Type	Non Smart	Non Smart	Non Smart	
	Accessibility	Voice Guide	Voice Guide	Voice Guide	
	Digital Clean View	Yes	Yes	Yes	
	Auto Channel Search	Yes	Yes	Yes	
	Auto Power Off	Yes	Yes	Yes	
	Caption (Subtitle)	Yes	Yes	Yes	
	ConnectShare™ (USB 2.0)	Yes	Yes	Yes	
	Sports Mode	Yes	Yes	Yes	
	EPG	Yes	Yes	Yes	
	Game Mode	Yes	Yes	Yes	
	OSD Language	English, Spanish, French	English, Spanish, French	English, Spanish, French	
	Picture-In-Picture	Yes	Yes	Yes	
	System	Digital Broadcasting	ATSC/Clear QAM	ATSC/Clear QAM	ATSC/Clear QAM
		Analog Tuner	Yes	Yes	Yes
Hospitality Features	Samsung LYNK™ REACH (RF)	REACH 4.0	REACH 4.0	REACH 4.0	
	Samsung LYNK™ REACH RF Modulator Compatibility	Yes	Yes	Yes	
	Auto Source Mode	Yes	Yes	Yes	
	Power On Mode	Yes	Yes	Yes	
	Hotel Channel List	Yes	Yes	Yes	
	Channel Menu Display	Yes	Yes	Yes	
	Mixed Channel List (ATSC, DVB-T/T2/C/S2, Analog)	Yes	Yes	Yes	
	My Channel	Yes	Yes	Yes	
	Energy Saving Mode (BLU Control)	Yes	Yes	Yes	
	Logo Display with Timer Out Setting (BMP/Movie)	Yes	Yes	Yes	
	Welcome Message	Yes	Yes	Yes	
	RJ12 / IR Pass Through	Yes	Yes	Yes	
	Clock Back Up Power Supply	Yes	Yes	Yes	
	Software Clock	Yes	Yes	Yes	
	Multi Code Remote Control	Yes	Yes	Yes	
	Screwed Battery Cover	Yes	Yes	Yes	
	Sound Bar Compatibility	Yes	Yes	Yes	
	Music Mode (Input: PC/AW/Component/HDMI)	Yes	Yes	Yes	
	Music Mode Backlight On/Off	Yes	Yes	Yes	
	USB Cloning	Yes	Yes	Yes	
	Smovie Compatibility	Yes	Yes	Yes	
	On/Off Timer (Schedule)	Yes	Yes	Yes	
	Wake-up Timer (Alarm)	Yes	Yes	Yes	
Samsung LYNK™ DRM	Yes	Yes	Yes		
Prodiom	Yes	Yes	Yes		
bLAN	Yes	Yes	Yes		
Security Mode	Yes	Yes	Yes		
S/W EPG (Solution EPG)	Yes	Yes	Yes		
Input & Output	HDMI	1/1	1/1	1/1	
	USB	1/0	1/0	1/0	
	Composite In (AV)	1/0	1/0	1/0	
	Audio Out (Mini Jack / LR)	0/1	0/1	0/1	
	RF In (Terrestrial / Cable input / Satellite Input)	0/1	0/1	0/1	
	Ex-Link (RS232C)	Common (RJP)	Common (RJP)	Common (RJP)	
	HDMI A / Return Ch. Support	Yes	Yes	Yes	
	Anynet+ (HDMI-CEC)	Yes	Yes	Yes	
	RJ12	0/1	0/1	0/1	
	RJP Jack (Remote Jackpack)	0/1	0/1	0/1	
Design	Front Color	Black	Black	Black	
	Stand Type	Square	Square	Square	
Dimensions (W x H x D)	Swivel (Left/Right)	90/90	90/90	90/90	
	Set Size without Stand - Wall Mount Side (WxHxD) (mm/in.)	1140.8 x 662.3 x 59.9 / 44.9" x 26.1" x 2.4"	1231.6 x 708.6 x 50.2 / 48.5" x 27.9" x 1.9"	1454.5 x 835.4 x 56.2 / 57.3" x 32.9" x 2.2"	
	Set Size without Stand - Speaker Side (WxHxD) (mm/in.)	1140.8 x 662.3 x 72.9 / 44.9" x 26.1" x 2.9"	1231.6 x 708.6 x 68.6 / 48.5" x 27.9" x 2.7"	1454.5 x 835.4 x 70.9 / 57.3" x 32.9" x 2.8"	
	Set Size with Stand (WxHxD) (mm/in.)	1140.8 x 713.9 x 226.5 / 44.9" x 28.1" x 8.9"	1231.6 x 763.5 x 226.4 / 48.5" x 30.1" x 8.9"	1454.5 x 909.7 x 355.1 / 57.3" x 35.8" x 14.0"	
Weight	Package Size (WxHxD) (mm/inch)	1345.0 x 754.0 x 157.0 / 53.0" x 29.7" x 6.2"	1470.0 x 815.0 x 145.0 / 57.9" x 32.1" x 5.7"	1780.0 x 965.0 x 190.0 / 70.1" x 38.0" x 7.5"	
	Set Weight without Stand (kg / lbs)	10.4 / 22.9	13.6 / 30.0	25.9 / 57.1	
	Set Weight with Stand (kg / lbs)	13.3 / 29.3	16.5 / 36.4	30.9 / 68.1	
Power	Package Weight (kg / lbs)	17.3 / 38.1	21.3 / 47.0	39.3 / 86.6	
	Power Supply (V)	AC110-120V 60Hz	AC110-120V 60Hz	AC110-120V 60Hz	
Accessory	Remote Controller Model	TM1240A	TM1240A	TM1240A	
	Batteries (for Remote Control)	Yes	Yes	Yes	
	Mini Wall Mount Support	Yes	Yes	Yes	
	Vesa Wall Mount Support	Yes	Yes	Yes	
	Power Cable	Yes	Yes	Yes	
	Quick Install Guide	Yes	Yes	Yes	
	Stand Mount Kit	Yes	Yes	Yes	
	Security Screws	Yes	Yes	Yes	

Learn more [samsung.com/business](http://samsung.com/business) [insights.samsung.com](http://insights.samsung.com) [samsung.com/b2bhospitalitytvs](http://samsung.com/b2bhospitalitytvs)

Product support 1-866-SAM4BIZ

Follow us  [youtube.com/samsungbizusa](http://youtube.com/samsungbizusa)  @SamsungBizUSA

**SAMSUNG**