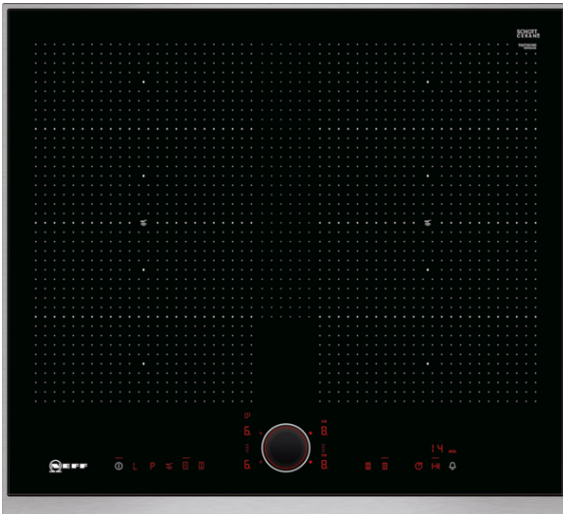


N 90, Induction cooktop, 60 cm, Black  
T66TS61N0



COOKING PASSION SINCE 1877



#### Standalone FlexInduction cooktop with TwistPad® Fire control.

- ✓ Induction - With induction cooking, the heat is generated directly in the cookware for precise cooking that stops when power is off.
- ✓ FlexInduction - The FlexZone lets you place your pots and pans anywhere you want and heats them exactly where they stand.
- ✓ Extended FlexZone for even greater flexibility. Perfect for bigger pots and roaster.
- ✓ The TwistPad® Fire is a removable, magnetic, illuminated control knob that gives you precise, convenient control over all cooking zones. And to make things even easier, only the selectable functions are illuminated.
- ✓ PowerMove - The FlexZone is divided into three heating zones: boiling in front, simmering in the middle and warming in the rear.
- ✓ FryingSensor - The FryingSensor with 5 selectable temperature settings monitors the set temperature and holds it steady. So there's no more burning.
- ✓ PowerTransfer - When you reposition a pot on the extended FlexZone, your settings automatically follow the cookware.
- ✓ Stainless-steel flush-fitted trim

#### Optional accessories

Z9410X1	Stainless Steel roaster with glass lid
Z9415X1	Steaming Rack for Stainless Steel roaster
Z9416X2	Griddle Plate
Z9417X2	Teppan Yaki (large)
Z9442X0	Set of 3 pots and 1 pan
Z9453X0	System pan diameter 21cm

#### Features

##### Technical Data

Product name/family : Cooking zone ceramic  
Construction type : Built-in  
Energy input : Electric  
Total number of positions that can be used at the same time : 4  
Required niche size for installation (HxWxD) : 56 x 560-560 x 490-500  
Width of the product (mm) : 606  
Dimensions of the product (mm) : 56 x 606 x 546  
Dimensions of the packed product (HxWxD) (mm) : 126 x 753 x 603  
Net weight (kg) : 16.131  
Gross weight (kg) : 17.0  
Residual heat indicator : Separate  
Location of control panel : Hob front  
Basic surface material : Ceramic  
Color of surface : Black, Stainless steel  
Color of frame : Stainless steel  
Approval certificates : AENOR, CE  
Length electrical supply cord (cm) : 110  
EAN code : 4242004191704  
Electrical connection rating (W) : 7400  
Voltage (V) : 220-240  
Frequency (Hz) : 50; 60



4 242004 191704

# N 90, Induction cooktop, 60 cm, Black

## T66TS61N0

### Features

#### Handling

- TwistPad® Fire

#### Flexibility

- 2 Flex zones + auxiliary zone
- Extended FlexInduction zone
- 4 induction zones
- Cooking zones:
  - 1 x Ø 380 mmx230 mm, 3.3 KW (max. Power level 3.7 KW) Induction or 2 x Ø 190 mm, 2.2 KW (max. Power level 3.7 KW) Induction;
  - 1 x Ø 380 mmx230 mm, 3.3 KW (max. Power level 3.7 KW) Induction or 2 x Ø 190 mm, 2.2 KW (max. Power level 3.7 KW) Induction
- 2 x FlexInduction with 2 Use options: 2 Individual-Induction-Cooking Zones with 190 mm surfaces or one flexible Induction-Cooking zone with 1 x Ø 380 mmx230 mm surface

#### Comfort & Convenience

- PotBoost function for all cooking zones
- PanBoost
- PowerMove
- PowerTransfer
- FryingSensor with 5 temperature settings
- 17 power levels for each cooking zone
- Residual heat indicator: Digital 2-step
- Count-up timer, Alarm clock, LED display and timer with auto switch off for all cooking zones
- Automatic pan recognition sensor
  - Power management function
  - Automatic safety switch-off
  - Child safety lock
  - Wipe protection function
- ReStart function
- QuickStart - Quick and automatic first pot detection
- Keep warm function for all cooking zones
- Energy consumption display

#### Design

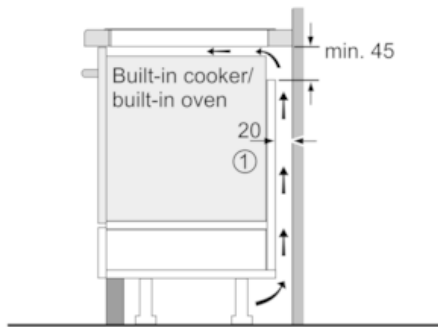
- Black ceramic glass with stainless steel flush-fitted trim

#### Technical Information

- 60 cm width
- Installation measurements: 560 mm x 490 mm
- Length wire connection: 110 cm
- Min. worktop thickness: 30 mm
- 7.4 kW total connected load
- Voltage: 220 - 240 V
- Cable included

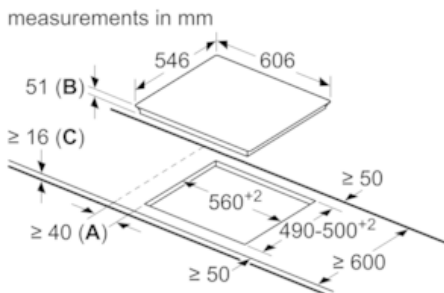
N 90, Induction cooktop, 60 cm, Black  
T66TS61N0

Dimensioned drawings

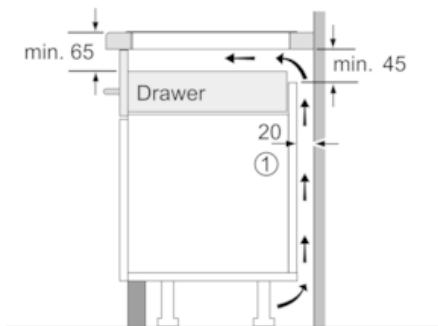


①  
Ventilation gap must  
be present

All measurements in mm



- A:** Minimum distance from the hob cut-out to the wall.
- B:** Recessed depth
- C:** With fitted oven underneath min. 30, possibly more; see space requirements for the oven.



①  
Ventilation gap must  
be present.

Measurements in mm