

<b>EN</b>	<b>User Manual</b> Fridge Freezer	2
<b>FR</b>	<b>Notice d'utilisation</b> Réfrigérateur/congélateur	21
<b>ES</b>	<b>Manual de instrucciones</b> Frigorífico-congelador	43

SCZ81800C0



 **AEG**  
perfekt in form und funktion

## CONTENTS

1. SAFETY INFORMATION.....	3
2. SAFETY INSTRUCTIONS.....	4
3. OPERATION.....	5
4. FIRST USE.....	8
5. DAILY USE.....	8
6. HINTS AND TIPS.....	12
7. CARE AND CLEANING.....	13
8. TROUBLESHOOTING.....	15
9. INSTALLATION.....	18
10. NOISES.....	18
11. TECHNICAL INFORMATION.....	20

## FOR PERFECT RESULTS

Thank you for choosing this AEG product. We have created it to give you impeccable performance for many years, with innovative technologies that help make life simpler features you might not find on ordinary appliances. Please spend a few minutes reading to get the very best from it.

Visit our website for:



Get usage advice, brochures, trouble shooter, service information:  
[www.aeg.com/webselfservice](http://www.aeg.com/webselfservice)



Register your product for better service:  
[www.registeraeg.com](http://www.registeraeg.com)



Buy Accessories, Consumables and Original spare parts for your appliance:  
[www.aeg.com/shop](http://www.aeg.com/shop)

## CUSTOMER CARE AND SERVICE

Always use original spare parts.

When contacting our Authorised Service Centre, ensure that you have the following data available: Model, PNC, Serial Number.

The information can be found on the rating plate.



Warning / Caution-Safety information



General information and tips



Environmental information

Subject to change without notice.

## 1. ⚠ SAFETY INFORMATION

Before the installation and use of the appliance, carefully read the supplied instructions. The manufacturer is not responsible for any injuries or damages that are the result of incorrect installation or usage. Always keep the instructions in a safe and accessible location for future reference.

### 1.1 Children and vulnerable people safety

- This appliance can be used by children aged 8 years and above and by persons with reduced capabilities provided that they have been given instruction and/or supervision regarding the safe use of the appliance and understand the potential hazards involved.
- Do not let children play with the appliance.
- Children shall not carry out cleaning and user maintenance of the appliance without supervision.
- Keep all packaging away from children and dispose of it appropriately.

### 1.2 General Safety

- This appliance is intended to be used in household and similar applications such as:
  - Farm houses; staff kitchen areas in shops, offices and other working environments
  - By clients in hotels, motels, bed and breakfast and other residential type environments
- Keep ventilation openings, in the appliance enclosure or in the built-in structure, clear of obstruction.
- Do not use mechanical devices or other means to accelerate the defrosting process, other than those recommended by the manufacturer.
- Do not damage the refrigerant circuit.
- Do not use electrical appliances inside the food storage compartments of the appliance, unless they are of the type recommended by the manufacturer.

- Do not use water spray and steam to clean the appliance.
- Clean the appliance with a moist soft cloth. Only use neutral detergents. Do not use abrasive products, abrasive cleaning pads, solvents or metal objects.
- Do not store explosive substances such as aerosol cans with a flammable propellant in this appliance.
- If the supply cord is damaged, it must be replaced by the manufacturer, its Authorised Service Centre or similarly qualified persons in order to avoid a hazard.

## 2. SAFETY INSTRUCTIONS

### 2.1 Installation



#### **WARNING!**

Only a qualified person must install this appliance.

- Remove all the packaging and the transit bolts.
- Do not install or use a damaged appliance.
- Follow the installation instruction supplied with the appliance.
- Always take care when moving the appliance as it is heavy. Always use safety gloves and enclosed footwear.
- Make sure the air can circulate around the appliance.
- Wait at least 4 hours before connecting the appliance to the power supply. This is to allow the oil to flow back in the compressor.
- Do not install the appliance close to radiators or cookers, oven or hobs.
- The rear of the appliance must stand against the wall.
- Do not install the appliance where there is direct sunlight.
- Do not install this appliance in areas that are too humid or too colds, such as the construction appendices, garages or wine cellars.
- When you move the appliance, lift it by the front edge to avoid scratching the floor.

### 2.2 Electrical connection



#### **WARNING!**

Risk of fire and electrical shock.

- The appliance must be earthed.
- Make sure that the electrical information on the rating plate agrees with the power supply. If not, contact an electrician.
- Always use a correctly installed shockproof socket.
- Do not use multi-plug adapters and extension cables.
- Make sure not to cause damage to the electrical components (e.g. mains plug, mains cable, compressor). Contact the Authorised Service Centre or an electrician to change the electrical components.
- The mains cable must stay below the level of the mains plug.
- Connect the mains plug to the mains socket only at the end of the installation. Make sure that there is access to the mains plug after the installation.
- Do not pull the mains cable to disconnect the appliance. Always pull the mains plug.

### 2.3 Use



#### **WARNING!**

Risk of injury, burns, electrical shock or fire.

- Do not change the specification of this appliance.
- Do not put electrical appliances (e.g. ice cream makers) in the appliance unless they are stated applicable by the manufacturer.
- Be careful not to cause damage to the refrigerant circuit. It contains isobutane (R600a), a natural gas with a high level of environmental compatibility. This gas is flammable.
- If damage occurs to the refrigerant circuit, make sure that there are no flames and sources of ignition in the room. Ventilate the room.
- Do not let hot items to touch the plastic parts of the appliance.
- Do not put soft drinks in the freezer compartment. This will create pressure on the drink container.
- Do not store flammable gas and liquid in the appliance.
- Do not put flammable products or items that are wet with flammable products in, near or on the appliance.
- Do not touch the compressor or the condenser. They are hot.
- Do not remove or touch items from the freezer compartment if your hands are wet or damp.
- Do not freeze again food that has been thawed.
- Obey the storage instructions on the packaging of frozen food.
- Before maintenance, deactivate the appliance and disconnect the mains plug from the mains socket.
- This appliance contains hydrocarbons in the cooling unit. Only a qualified person must do the maintenance and the recharging of the unit.
- Regularly examine the drain of the appliance and if necessary, clean it. If the drain is blocked, defrosted water collects in the bottom of the appliance.

## 2.5 Disposal



### WARNING!

Risk of injury or suffocation.

- Disconnect the appliance from the mains supply.
- Cut off the mains cable and discard it.
- Remove the door to prevent children and pets to be closed inside of the appliance.
- The refrigerant circuit and the insulation materials of this appliance are ozone-friendly.
- The insulation foam contains flammable gas. Contact your municipal authority for information on how to discard the appliance correctly.
- Do not cause damage to the part of the cooling unit that is near the heat exchanger.

## 2.4 Care and cleaning

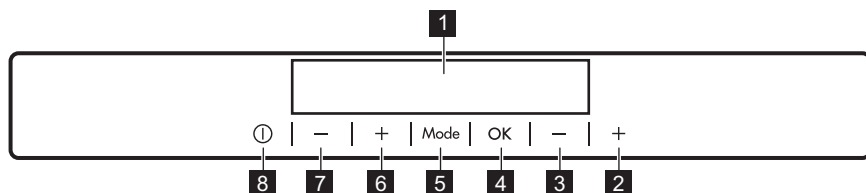


### WARNING!

Risk of injury or damage to the appliance.

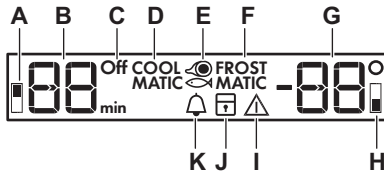
# 3. OPERATION

## 3.1 Control Panel



- 1 Display
- 2 Freezer Temperature warmer button
- 3 Freezer Temperature colder button
- 4 OK
- 5 Mode
- 6 Fridge Temperature warmer button

### 3.2 Display



- 7 Fridge Temperature colder button
- 8 ON/OFF

It is possible to change predefined sound of buttons by pressing together Mode and temperature colder button for a few seconds. Change is reversible.

- A. Fridge compartment indicator
- B. Timer indicator /Temperature indicator
- C. ON/OFF indicator
- D. COOLMATIC function
- E. LongFresh function
- F. FROSTMATIC function
- G. Temperature indicator
- H. Freezer compartment indicator
- I. Alarm indicator
- J. ChildLock function
- K. MinuteMinder function

### 3.3 Switching on

1. Connect the mains plug to the power socket.
2. Press the appliance ON/OFF if the display is off. The temperature indicators show the set default temperature.

**i** The alarm buzzer could operate after few seconds. To reset the alarm refer to "High temperature alarm".

To select a different set temperature refer to "Temperature regulation".

If "dEMo" appears on the display, refer to "Troubleshooting".

### 3.4 Switching off

1. Press the appliance ON/OFF for 5 seconds.  
The display switches off.
2. Disconnect the mains plug from the power socket.

### 3.5 Temperature regulation

Set the temperature of the appliance by pressing the temperature regulators.  
Default set temperature:

- +5°C for the fridge
- -18°C for the freezer

The temperature indicators show the set temperature.

**i** The set temperature will be reached within 24 hours. After a power failure the set temperature remains stored.

### 3.6 Switching on the fridge

To switch on the fridge it is enough to press the fridge temperature regulator. To switch on the fridge in the other way:

1. Press Mode until the corresponding icon appears.  
The Fridge OFF indicator flashes.
2. Press OK to confirm.  
The fridge OFF indicator goes off.

**i** To select a different set temperature refer to "Temperature regulation".

### 3.7 Switching off the fridge

1. Press Mode until the corresponding icon appears.

The fridge OFF indicator and the fridge compartment indicator flash.

The fridge temperature indicator shows dashes.

2. Press OK to confirm.

The fridge OFF indicator is shown.

### 3.8 High temperature alarm

An increase in the temperature in the freezer compartment (for example due to an earlier power failure) is indicated by flashing the alarm icon and freezer temperature indicators, and sounding of buzzer.

Press any button.

The buzzer switches off.

The freezer temperature indicator shows the highest temperature reached for a few seconds, then displays the set temperature again.



The alarm indicator continues to flash until the normal conditions are restored.

### 3.9 COOLMATIC function

If you need to insert a large amount of warm food, for example after doing the grocery shopping, we suggest activating the COOLMATIC function to chill the products more rapidly and to avoid warming the other food which is already in the refrigerator.

1. Press the Mode until the corresponding icon appears.

The COOLMATIC indicator flashes.

2. Press the OK to confirm.

The COOLMATIC indicator is shown.

The COOLMATIC function shuts off automatically after approximately 6 hours.

To switch off the function before its automatic end, repeat the procedure.



The function switches off by selecting a different fridge set temperature.

### 3.10 LongFresh compartment setting

1. Press Mode until the corresponding icon appears.

The display shows **3**. This is the default setting that ensures the most effective performance.

2. Press the temperature buttons on the control panel to select necessary setting.

3. Press OK to confirm the setting.

The indicator returns to the fridge temperature setting in a few seconds.

Setting	Application
1-3	Meat and fish
4-5	Meat, fish, vegetables and fruit stored together

### 3.11 FROSTMATIC function

The FROSTMATIC function accelerates the freezing of fresh food and, at the same time, protects foodstuffs already stored from undesirable warming.

1. Press the Mode button until the corresponding icon appears.

The FROSTMATIC indicator flashes.

2. Press the OK button to confirm.

The FROSTMATIC indicator is shown.

This function stops automatically after 52 hours.

To switch off the function before its automatic end repeat the procedure until the FROSTMATIC indicator goes off.



The function switches off by selecting a different set temperature.

### 3.12 Door open alarm

An acoustic alarm will sound if the door is left open for a few minutes. The door open alarm conditions are indicated by:

- a flashing Alarm indicator;
- an acoustic buzzer.

When normal conditions are restored (door closed), the alarm will stop. The buzzer can also be switched off by pressing any button.

### 3.13 ChildLock function

Activate the ChildLock function to lock the buttons from unintentional operation.

1. Press Mode until the corresponding icon appears.  
The ChildLock indicator flashes.
2. Press OK to confirm.  
The ChildLock indicator is shown.  
To deactivate the ChildLock function, repeat the procedure until the ChildLock indicator goes off.

### 3.14 MinuteMinder function

The MinuteMinder function is to be used to set an acoustic alarm at the preferred time, useful for example when a recipe requires to cool down food products for a certain period of time.

It is also useful when a reminder is needed in order not to forget the bottles placed in the freezer for fast cooling.

1. Press Mode until the corresponding icon appears.  
The MinuteMinder indicator flashes.  
The Timer shows the set value (30 minutes) for a few seconds.
2. Press the Timer regulator to change the Timer set value from 1 to 90 minutes.
3. Press OK to confirm.  
The MinuteMinder indicator is shown.  
The Timer start to flash (min).  
At the end of the countdown the MinuteMinder indicator flashes and an audible alarm sounds. Press OK to switch off the sound and terminate the function.

To switch off the function repeat the procedure until the MinuteMinder goes off.



It is possible to change the time at any time during the countdown and at the end by pressing the Temperature colder button and the Temperature warmer button.

## 4. FIRST USE

### 4.1 Cleaning the interior

Before using the appliance for the first time, the interior and all internal accessories should be washed with lukewarm water and some neutral soap to remove the typical smell of a brand-new product, then dried thoroughly.



#### CAUTION!

Do not use detergents or abrasive powders, as these will damage the finish.

## 5. DAILY USE



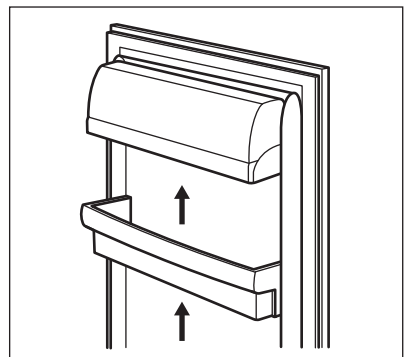
#### WARNING!

Refer to Safety chapters.

### 5.1 Positioning the door shelves

To permit storage of food packages of various sizes, the door shelves can be placed at different heights.

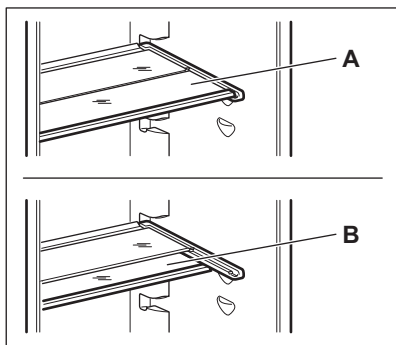
1. Gradually pull the shelf in the direction of the arrows until it comes free.
2. Reposition as required.



## 5.2 Movable shelves

The walls of the refrigerator are equipped with a series of runners so that the shelves can be positioned as desired.

For better use of space, the front half-shelves (A) can be placed under the rear ones. (B)



**i** Do not move the glass shelf above the vegetable drawer to ensure correct air circulation.

## 5.3 Freezing fresh food

The freezer compartment is suitable for freezing fresh food and storing frozen and deep-frozen food for a long time.

To freeze fresh food activate the FROSTMATIC function and place the food to be frozen in the freezer compartment.

To freeze fresh food activate the FROSTMATIC function at least 24 hours before placing the food to be frozen in the freezer compartment.

The maximum amount of food that can be frozen in 24 hours is specified on the **rating plate**, a label located on the inside of the appliance.

The freezing process lasts 24 hours: during this period do not add other food to be frozen.

When the freezing process is completed, return to the required temperature (see "FROSTMATIC Function").

**i** In this condition, the refrigerator compartment temperature might drop below 0°C. If this occurs reset the temperature regulator to a warmer setting.

## 5.4 Storage of frozen food

When first starting-up or after a period out of use, before putting the products in the compartment let the appliance run at least 2 hours on the higher settings.

**!** **WARNING!**  
In the event of accidental defrosting, for example due to a power failure, if the power has been off for longer than the value shown in the technical characteristics chart under "rising time", the defrosted food must be consumed quickly or cooked immediately and then re-frozen (after cooling).

## 5.5 Thawing

Deep-frozen or frozen food, prior to being used, can be thawed in the refrigerator compartment or at room temperature, depending on the time available for this operation.

Small pieces may even be cooked still frozen, directly from the freezer: in this case, cooking will take longer.

## 5.6 LongFresh Compartment

The storage temperature and the relative humidity (between 45 and 90 %) provide optimal conditions for the storage of various kinds of food.

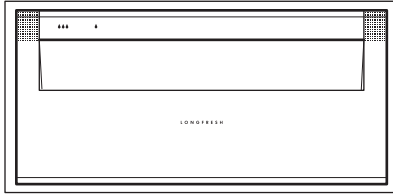
To learn about the temperature settings in the LongFresh compartment please refer to the "LongFresh compartment setting" section

LongFresh compartment is suitable for the storage of a variety of fresh food as it preserves its high nutritional values as well as high humidity level much longer in comparison to the regular refrigerator.

The LongFresh compartment is also suitable for defrosting food.

The thawed food can be stored up to two days.

## 5.7 Humidity control



Both drawers can be used according to the desired storage conditions independently of each other with lower or higher humidity.

Regulation for each drawer is separate and is controlled using the slide valve at the front of the drawer.

- "Dry": low air humidity - up to 50 % relative humidity  
This humidity level is reached when both sliders are set into this position  $\delta$  and the ventilation openings are wide open.
- Humid": high relative humidity - up to 90%  
This humidity level is reached when both sliders are set in this position  $\Delta\Delta\Delta$  and the ventilation openings are closed. Humidity is kept and can not escape.

## 5.8 Fresh food storage time in the LongFresh compartment

Type of food	Air humidity adjustment	Storage time
Onion	$\delta$ "dry"	up to 5 months
Butter	$\delta$ "dry"	up to 1 month
Large pork cuts	$\delta$ "dry"	up to 10 days
Beef, venison, small pork cuts, poultry	$\delta$ "dry"	up to 7 days
Tomato sauce	$\delta$ "dry"	up to 4 days
Fish, shellfish, cooked meat products	$\delta$ "dry"	up to 3 days
Cooked seafood	$\delta$ "dry"	up to 2 days
<b>Salad, vegetables</b> Carrots, herbs, Brussels sprouts, celery	$\Delta\Delta\Delta$ "humid"	up to 1 month
Artichokes, cauliflower, chicory, iceberg lettuce, endive, lamb's lettuce, lettuce, leeks, radicchio	$\Delta\Delta\Delta$ "humid"	up to 21 days
Broccoli, Chinese leaves, kale, cabbage, radishes, Savoy cabbage	$\Delta\Delta\Delta$ "humid"	up to 14 days
Peas, kohlrabi	$\Delta\Delta\Delta$ "humid"	up to 10 days

Type of food	Air humidity adjustment	Storage time
Spring onions, radishes, asparagus, spinach	☹☹☹ "humid"	up to 7 days
<b>Fruit</b> Pears, dates (fresh), strawberries, peaches	☹☹☹ "humid"	up to 1 month
Plums rhubarb, gooseberries	☹☹☹ "humid"	up to 21 days
Apples (not sensitive to cold), quinces	☹☹☹ "humid"	up to 20 days
Apricots, cherries	☹☹☹ "humid"	up to 14 days
Damsons, grapes	☹☹☹ "humid"	up to 10 days
Blackberries, currants	☹☹☹ "humid"	up to 8 days
Figs (fresh)	☹☹☹ "humid"	up to 7 days
Blueberries, raspberries	☹☹☹ "humid"	up to 5 days

**i** Cakes containing cream and other kinds of pastry products can be stored in the LongFresh compartment for 2 or 3 days.

**i** Not to be placed in the LongFresh compartment:

- cold sensitive fruit which have to be stored at cellar or room temperature like pineapple, bananas, grapefruit, melons, mango, papaya, oranges, lemons, kiwi fruit.
- The types of food not mentioned above should be stored in the refrigerator compartment (e.g. all sorts of cheese, cold cuts, etc.)

**i** The level of air humidity in the drawers depends on the content of humidity in the stored food, vegetable and fruit and on the frequency of door opening

The LongFresh compartment is also suitable for slow thawing of food. In this case the thawed food can be stored in

the LongFresh compartment for up to two days.

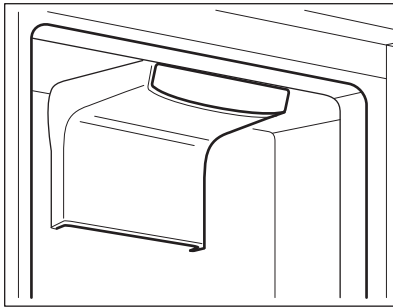
- Pay attention to the freshness of the food, especially on the expiry date. Quality and freshness influence the storage time.
- The whole storage cycle time will depend on the preservation conditions made prior to the final storage in the fridge.
- Food, fruit or vegetables should always be packed or wrapped up before storage.
- Animal food always store packed and dry.
- Food rich in proteins will go bad quicker. This means seafood will spoil before fish which in turn will spoil before meat. While storing food in a LongFresh compartment storage time for that kind of food can be increased by up to three times as well without loss on quality.
- All food stored in a LongFresh compartment should be taken out of the drawers roughly 15-30 min before consumption, particularly fruit and vegetables to be consumed without any additional cooking process.

Allowing fruit and vegetables to return to room temperature will improve the texture and flavour.

## 5.9 DYNAMICAIR

The refrigerator compartment is equipped with a device that allows for rapid cooling of foods and more uniform temperature in the compartment.

This device activates by itself when needed, for example for a quick temperature recovering after door opening or when the ambient temperature is high.



**i** The DYNAMICAIR device stops when the door is open and restarts immediately after the door closing.

## 5.10 Ice-cube production

This appliance is equipped with one or more trays for the production of ice-cubes.

**i** Do not use metallic instruments to remove the trays from the freezer.

1. Fill these trays with water
2. Put the ice trays in the freezer compartment.

# 6. HINTS AND TIPS

## 6.1 Normal operating sounds

The following sounds are normal during operation:

- A faint gurgling and bubbling sound from coils sound when refrigerant is pumped.
- A whirring and pulsating sound from the compressor when refrigerant is pumped.
- A sudden cracking noise from inside appliance caused by thermic dilatation (a natural and not dangerous physical phenomenon).
- A faint click noise from the temperature regulator when the compressor switches on or off.

## 6.2 Hints for energy saving

- Do not open the door frequently or leave it open longer than absolutely necessary.

## 6.3 Hints for fresh food refrigeration

To obtain the best performance:

- do not store warm food or evaporating liquids in the refrigerator
- do cover or wrap the food, particularly if it has a strong flavour
- position food so that air can circulate freely around it

## 6.4 Hints for refrigeration

Useful hints:

- Meat (all types): wrap in a suitable packaging and place it on the glass shelf above the vegetable drawer. Store meat for at most 1-2 days.
- Cooked foods, cold dishes: cover and place on any shelf.
- Fruit and vegetables: clean thoroughly and place in a special drawer. Bananas, potatoes, onions

and garlic must not be kept in the refrigerator if not packed.

- Butter and cheese: place in a special airtight container or wrap in an aluminium foil or a polythene bag to exclude as much air as possible.
- Bottles: close with a cap and place on the door bottle shelf, or (if available) on the bottle rack.

## 6.5 Hints for freezing

To help you make the most of the freezing process, here are some important hints:

- the maximum quantity of food which can be frozen in 24 hours is shown on the rating plate;
- the freezing process takes 24 hours no further food to be frozen should be added during this period;
- freeze only top quality, fresh and thoroughly cleaned, foodstuffs;
- prepare food in small portions to enable it to be rapidly and completely frozen and to make it possible subsequently to thaw only the quantity required;
- wrap up the food in aluminium foil or polythene and make sure that the packages are airtight;
- do not allow fresh, unfrozen food to touch food which is already frozen,

thus avoiding a rise in temperature of the latter;

- lean foods store better and longer than fatty ones; salt reduces the storage life of food;
- water ices, if consumed immediately after removal from the freezer compartment, can possibly cause the skin to be freeze burnt;
- it is advisable to show the freezing in date on each individual pack to enable you to keep tab of the storage time.

## 6.6 Hints for storage of frozen food

To obtain the best performance from this appliance, you should:

- make sure that the commercially frozen foodstuffs were adequately stored by the retailer;
- be sure that frozen foodstuffs are transferred from the foodstore to the freezer in the shortest possible time;
- not open the door frequently or leave it open longer than absolutely necessary;
- once defrosted, food deteriorates rapidly and cannot be refrozen;
- do not exceed the storage period indicated by the food manufacturer.

# 7. CARE AND CLEANING



### WARNING!

Refer to Safety chapters.

## 7.1 General warnings



### CAUTION!

Unplug the appliance before carrying out any maintenance operation.



This appliance contains hydrocarbons in its cooling unit; maintenance and recharging must therefore only be carried out by authorized technicians.



The accessories and parts of the appliance are not suitable for washing in a dishwasher.

## 7.2 Periodic cleaning



### CAUTION!

Do not pull, move or damage any pipes and/or cables inside the cabinet.



### CAUTION!

Take care of not to damage the cooling system.

**CAUTION!**

When moving the cabinet, lift it by the front edge to avoid scratching the floor.

The equipment has to be cleaned regularly:

1. Clean the inside and accessories with lukewarm water and some neutral soap.
2. Regularly check the door seals and wipe clean to ensure they are clean and free from debris.
3. Rinse and dry thoroughly.
4. If accessible, clean the condenser and the compressor at the back of the appliance with a brush. This operation will improve the performance of the appliance and save electricity consumption.

The lowest shelf, dividing the cooler compartment from the compartment can be removed only for cleaning. To remove pull out the shelf straight.



To make sure fully functionality of the LongFresh compartment the lowest shelf and cover plates must be put back in their original position after cleaning.

The cover plates above the drawers in the compartment can be taken out for cleaning.

### 7.3 Defrosting of the refrigerator

Defrosting of the fridge compartment is automatic. The water that forms flows into a recipient on the compressor and evaporates. The recipient cannot be removed.

### 7.4 Defrosting the freezer

**CAUTION!**

Never use sharp metal tools to scrape off frost from the evaporator as you could damage it. Do not use a mechanical device or any artificial means to speed up the thawing process other than those recommended by the manufacturer. A temperature rise of the frozen food packs, during defrosting, may shorten their safe storage life.



About 12 hours prior to defrosting, set a lower temperature, in order to build up sufficient chill reserve for the interruption in operation.

A certain amount of frost will always form on the freezer shelves and around the top compartment.

Defrost the freezer when the frost layer reaches a thickness of about 3-5 mm.

1. Switch off the appliance, or pull out electrical plug from the wall socket.
2. Remove any stored food, wrap it in several layers of newspaper and put it in a cool place.

**WARNING!**

Do not touch frozen goods with wet hands. Hands can freeze to the goods.

3. Leave the door open. In order to speed up the defrosting process, place a pot of warm water in the freezer compartment. In addition, remove pieces of ice that break away before defrosting is complete.
4. When defrosting is completed, dry the interior thoroughly.
5. Switch on the appliance. After three hours reload the previously removed food into the freezer compartment.

## 7.5 Periods of non-operation

When the appliance is not in use for long periods, take the following precautions:

1. Disconnect the appliance from electricity supply.
2. Remove all food.
3. Defrost (if necessary) and clean the appliance and all accessories.
4. Clean the appliance and all accessories.

5. Leave the door/doors open to prevent unpleasant smells.



### WARNING!

If you want to keep the appliance switched on, ask somebody to check it once in a while to prevent the food inside from spoiling in case of a power failure.

## 8. TROUBLESHOOTING



### WARNING!

Refer to Safety chapters.

### 8.1 What to do if...

Problem	Possible cause	Solution
The appliance does not operate.	The appliance is switched off.	Switch on the appliance.
	The mains plug is not connected to the mains socket correctly.	Connect the mains plug to the mains socket correctly.
	There is no voltage in the mains socket.	Connect a different electrical appliance to the mains socket. Contact a qualified electrician.
The appliance is noisy.	The appliance is not supported properly.	Check if the appliance stands stable.
Audible or visual alarm is on.	The cabinet has been recently switched on or the temperature is still too high.	Refer to "Door open alarm" or "High temperature alarm".
	The temperature in the appliance is too high.	Refer to "Door open alarm" or "High temperature alarm".
	The door is left open.	Close the door.
	The temperature in the appliance is too high.	Contact a qualified electrician or contact the nearest Authorised Service Centre.

<b>Problem</b>	<b>Possible cause</b>	<b>Solution</b>
A square symbol is shown instead of numbers on the Temperature Display.	Temperature sensor problem.	Contact the nearest Authorised Service Centre (the cooling system will continue to keep food products cold, but temperature adjustment will not be possible).
The lamp does not work.	The lamp is in stand-by.	Close and open the door.
The lamp does not work.	The lamp is defective.	Contact the nearest Authorised Service Centre.
The compressor operates continually.	Temperature is set incorrectly.	Refer to "Operation" .
	Many food products were put in at the same time.	Wait some hours and then check the temperature again.
	The room temperature is too high.	Refer to climate class chart on the rating plate.
	Food products placed in the appliance were too warm.	Allow food products to cool to room temperature before storing.
	The door is not closed correctly.	Refer to "Closing the door" .
	The FROSTMATIC is switched on.	Refer to "FROSTMATIC function" .
	The COOLMATIC is switched on.	Refer to "COOLMATIC function" .
	The water drainage plug is not correctly positioned.	Position the water drainage plug in the correct way.
	Food products are not wrapped properly.	Wrap the food products better.
	Temperature is set incorrectly.	Refer to "Operation" .
The compressor does not start immediately after pressing the FROSTMATIC, or after changing the temperature.	This is normal, no error has occurred.	The compressor starts after a period of time.
The compressor does not start immediately after pressing the COOLMATIC, or after changing the temperature.	This is normal, no error has occurred.	The compressor starts after a period of time.

Problem	Possible cause	Solution
Water flows inside the refrigerator.	The water outlet is clogged.	Clean the water outlet.
	Food products prevent that water flows into the water collector.	Make sure that food products do not touch the rear plate.
Water flows on the floor.	The melting water outlet is not connected to the evaporative tray above the compressor.	Attach the melting water outlet to the evaporative tray.
Temperature cannot be set.	The FROSTMATIC or COOLMATIC function is switched on.	Switch off FROSTMATIC or COOLMATIC manually, or wait until the function resets automatically to set the temperature. Refer to "FROSTMATIC or COOLMATIC function".
dEMo appears on the display.	The appliance is in demonstration mode.	Keep the OK pressed for approximately 10 seconds until a long sound is heard and display shuts off for a short time.
The temperature in the appliance is too low/too high.	The temperature regulator is not set correctly.	Set a higher/lower temperature.
	The door is not closed correctly.	Refer to "Closing the door".
	The food products' temperature is too high.	Let the food products temperature decrease to room temperature before storage.
	Many food products are stored at the same time.	Store less food products at the same time.
	The thickness of the frost is greater than 4-5 mm.	Defrost the appliance.
	The door has been opened often.	Open the door only if necessary.
	There is no cold air circulation in the appliance.	Make sure that there is cold air circulation in the appliance.



If the advice does not lead to the desired result, contact the nearest Authorised Service Centre.

## 8.2 Replacing the lamp

The appliance is equipped with a longlife LED interior light.

Only service is allowed to replace the lighting device. Contact your Authorised Service Centre.

### 8.3 Closing the door

1. Clean the door gaskets.
2. If necessary, adjust the door. Refer to "Installation".

## 9. INSTALLATION

### 9.1 Positioning

Install the appliance in a dry, well ventilated indoors where the ambient temperature corresponds to the climate class indicated on the rating plate of the appliance.

Climate class	Ambient temperature
SN	+10°C to + 32°C
N	+16°C to + 32°C
ST	+16°C to + 38°C
T	+16°C to + 43°C



Some functional problems might occur for some types of models when operating outside of that range. The correct operation can only be guaranteed within the specified temperature range. If you have any doubts regarding where to install the appliance, please turn to the vendor, to our customer service or to the nearest Authorised Service Centre.

### 9.2 Electrical connection

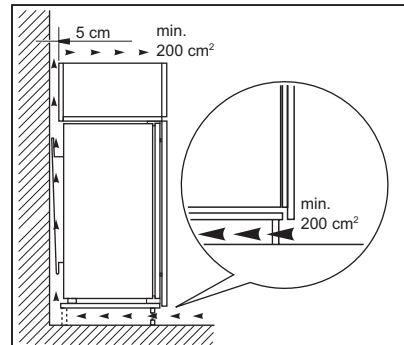
- Before plugging in, ensure that the voltage and frequency shown on the rating plate correspond to your domestic power supply.

3. If necessary, replace the defective door gaskets. Contact the Authorised Service Centre.

- The appliance must be earthed. The power supply cable plug is provided with a contact for this purpose. If the domestic power supply socket is not earthed, connect the appliance to a separate earth in compliance with current regulations, consulting a qualified electrician.
- The manufacturer declines all responsibility if the above safety precautions are not observed.
- This appliance complies with the E.E.C. Directives.

### 9.3 Ventilation requirements

The airflow behind the appliance must be sufficient.

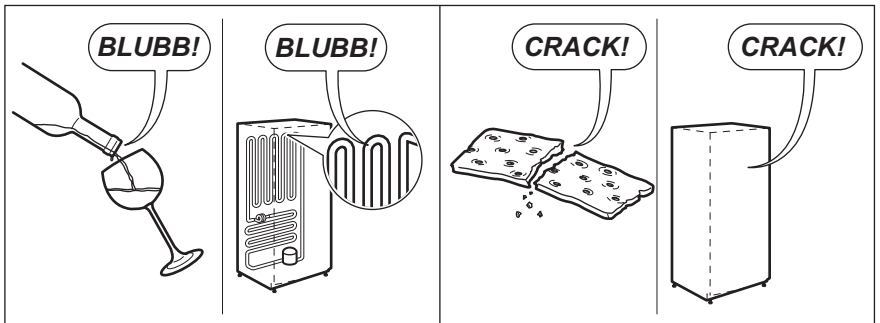
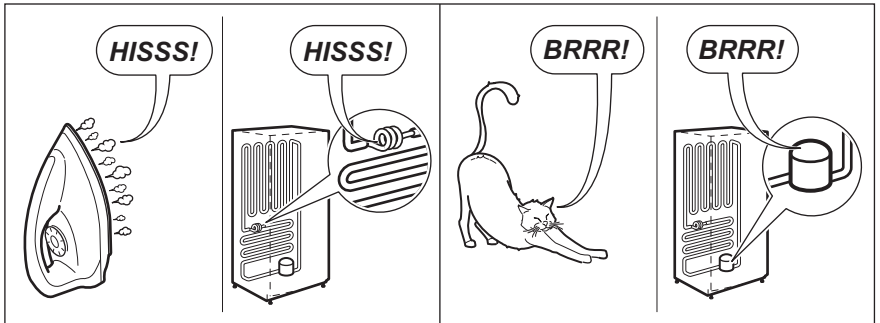
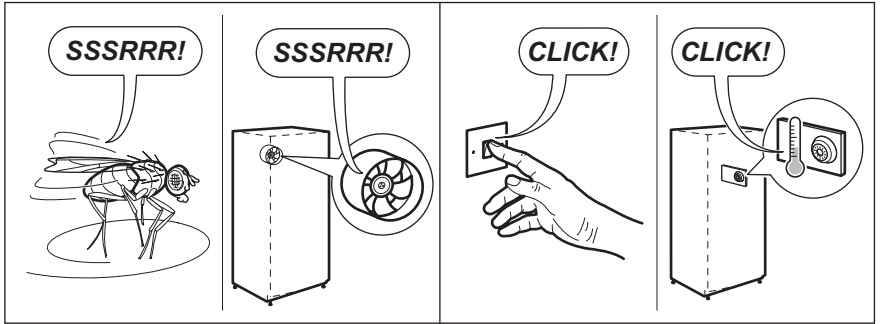
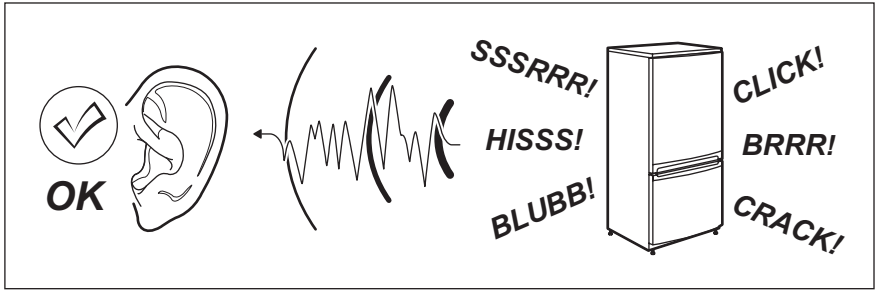


#### CAUTION!

Refer to the assembly instructions for the installation.

## 10. NOISES

There are some sounds during normal running (compressor, refrigerant circulation).




## 11. TECHNICAL INFORMATION


### 11.1 Technical data

Dimensions of the recess		
Height	mm	1780
Width	mm	560
Depth	mm	550
Rising time	Hours	24
Voltage	Volts	230 - 240
Frequency	Hz	50

The technical information is situated in the rating plate, on the external or internal side of the appliance and in the energy label.

## 12. ENVIRONMENTAL CONCERNS

Recycle the materials with the symbol . Put the packaging in applicable containers to recycle it. Help protect the environment and human health and to recycle waste of electrical and electronic appliances. Do not dispose appliances

marked with the symbol  with the household waste. Return the product to your local recycling facility or contact your municipal office.

# TABLE DES MATIÈRES

1. CONSIGNES DE SÉCURITÉ.....	22
2. INSTRUCTIONS DE SÉCURITÉ.....	23
3. FONCTIONNEMENT.....	25
4. PREMIÈRE UTILISATION.....	28
5. UTILISATION QUOTIDIENNE.....	28
6. CONSEILS.....	32
7. ENTRETIEN ET NETTOYAGE.....	34
8. EN CAS D'ANOMALIE DE FONCTIONNEMENT.....	36
9. INSTALLATION.....	39
10. BRUITS.....	40
11. CARACTÉRISTIQUES TECHNIQUES.....	41

## POUR DES RÉSULTATS PARFAITS

Merci d'avoir choisi ce produit AEG. Nous l'avons conçu pour qu'il vous offre des performances irréprochables pour longtemps, en intégrant des technologies innovantes qui vous simplifient la vie grâce à des caractéristiques que vous ne trouverez pas forcément sur des appareils ordinaires. Veuillez prendre quelques instants pour lire cette notice afin d'utiliser au mieux votre appareil.

Visitez notre site Internet pour :



Obtenir des conseils d'utilisation, des brochures, de l'aide, des informations :  
**[www.aeg.com/webselfservice](http://www.aeg.com/webselfservice)**



Enregistrer votre produit pour obtenir un meilleur service :  
**[www.registeraeg.com](http://www.registeraeg.com)**



Acheter des accessoires, consommables et pièces de rechange d'origine pour votre appareil :  
**[www.aeg.com/shop](http://www.aeg.com/shop)**

## SERVICE APRÈS-VENTE

N'utilisez que des pièces de rechange d'origine.

Avant de contacter le service, assurez-vous de disposer des informations suivantes : Modèle, PNC, numéro de série.

Vous trouverez ces informations sur la plaque signalétique.



Avertissement/Attention : consignes de sécurité.



Informations générales et conseils.



Informations en matière de protection de l'environnement.

Sous réserve de modifications.

## 1. ⚠️ CONSIGNES DE SÉCURITÉ

Avant d'installer et d'utiliser cet appareil, lisez soigneusement les instructions fournies. Le fabricant ne pourra être tenu pour responsable des blessures et dégâts résultant d'une mauvaise installation ou utilisation. Conservez toujours les instructions dans un lieu sûr et accessible pour vous y référer ultérieurement.

### 1.1 Sécurité des enfants et des personnes vulnérables

- Cet appareil peut être utilisé par des enfants de plus de 8 ans et par des personnes dont les capacités sont réduites, à condition qu'ils soient surveillés ou qu'ils aient reçu des instructions concernant l'utilisation sécurisée de l'appareil et qu'ils comprennent les risques encourus.
- Ne laissez pas les enfants jouer avec l'appareil.
- Les enfants ne doivent pas nettoyer ni entreprendre une opération de maintenance sur l'appareil sans surveillance.
- Ne laissez pas les emballages à la portée des enfants et jetez-les convenablement.

### 1.2 Consignes générales de sécurité

- Cet appareil est conçu uniquement pour un usage domestique et des utilisations telles que :
  - dans les bâtiments de ferme, dans des cuisines réservées aux employés dans des magasins, bureaux et autres lieux de travail ;
  - pour une utilisation privée, par les clients, dans des hôtels et autres lieux de séjour.
- Veillez à ce que les orifices de ventilation, situés dans l'enceinte de l'appareil ou dans la structure intégrée, ne soient pas obstrués.
- N'utilisez aucun dispositif mécanique ou autre appareil pour accélérer le processus de dégivrage que ceux recommandés par le fabricant.

- N'endommagez pas le circuit frigorifique.
- N'utilisez pas d'appareils électriques à l'intérieur des compartiments de conservation des aliments de l'appareil, sauf s'ils sont du type recommandé par le fabricant.
- Ne pulvérisez pas d'eau ni de vapeur pour nettoyer l'appareil.
- Nettoyez l'appareil avec un chiffon doux humide. Utilisez uniquement des produits de nettoyage neutres. N'utilisez pas de produits abrasifs, de tampons à récurer, de solvants ni d'objets métalliques.
- Ne conservez aucune substance explosive dans cet appareil, comme des aérosols contenant un produit inflammable.
- Si le câble d'alimentation est endommagé, il doit être remplacé par le fabricant, son service après-vente ou des personnes de qualification similaire afin d'éviter un danger.

## 2. INSTRUCTIONS DE SÉCURITÉ

### 2.1 Installation



#### **AVERTISSEMENT!**

L'appareil doit être installé uniquement par un professionnel qualifié.

- Retirez l'intégralité de l'emballage et les boulons de transport.
- N'installez pas et ne branchez pas un appareil endommagé.
- Suivez scrupuleusement les instructions d'installation fournies avec l'appareil.
- Soyez toujours vigilants lorsque vous déplacez l'appareil car il est lourd. Utilisez toujours des gants de sécurité et des chaussures fermées.
- Assurez-vous que l'air circule autour de l'appareil.
- Attendez au moins 4 heures avant de brancher l'appareil sur le secteur. Cela permet à l'huile de refouler dans le compresseur.

- N'installez pas l'appareil à proximité d'un radiateur, d'une cuisinière, d'un four ou d'une table de cuisson.
- La surface arrière de l'appareil doit être positionnée contre un mur.
- N'installez pas l'appareil dans un endroit exposé à la lumière directe du soleil.
- N'installez pas l'appareil dans un endroit trop humide ou trop froid, comme une dépendance extérieure, un garage ou une cave.
- Lorsque vous déplacez l'appareil, veillez à le soulever par l'avant pour éviter de rayer le sol.

### 2.2 Connexion électrique



#### **AVERTISSEMENT!**

Risque d'incendie ou d'électrocution.

- L'appareil doit être relié à la terre.
- Vérifiez que les données électriques figurant sur la plaque signalétique correspondent à celles de votre

réseau. Si ce n'est pas le cas, contactez un électricien.

- Utilisez toujours une prise de courant de sécurité correctement installée.
- N'utilisez pas d'adaptateurs multiprises ni de rallonges.
- Veillez à ne pas endommager les composants électriques tels que la fiche secteur, le câble d'alimentation ou le compresseur. Contactez le service après-vente agréé ou un électricien pour changer les composants électriques.
- Le câble d'alimentation doit rester en dessous du niveau de la fiche secteur.
- Ne branchez la fiche d'alimentation à la prise de courant qu'à la fin de l'installation. Assurez-vous que la prise de courant est accessible une fois l'appareil installé.
- Ne tirez jamais sur le câble d'alimentation pour débrancher l'appareil. Tirez toujours sur la fiche.

### 2.3 Usage



#### AVERTISSEMENT!

Risque de blessures, de brûlures, d'électrocution ou d'incendie.

- Ne modifiez pas les caractéristiques de cet appareil.
- Ne placez aucun appareil électrique (sorbetière, etc.) dans l'appareil, en l'absence d'indications du fabricant.
- Veillez à ne pas endommager le circuit frigorifique. Il contient de l'isobutane (R600a), un gaz naturel ayant un niveau élevé de compatibilité environnementale. Ce gaz est inflammable.
- Si le circuit frigorifique est endommagé, assurez-vous de l'absence de flammes et de sources d'ignition dans la pièce. Aérez la pièce.
- Évitez tout contact d'éléments chauds avec les parties en plastique de l'appareil.
- Ne placez jamais de boissons gazeuses dans le congélateur. Cela engendrerait une pression sur le récipient de la boisson.
- Ne stockez jamais de gaz ou de liquide inflammable dans l'appareil.

- Ne placez pas de produits inflammables ou d'éléments imbibés de produits inflammables à l'intérieur ou à proximité de l'appareil, ni sur celui-ci.
- Ne touchez pas le compresseur ni le condenseur. Ils sont chauds.
- Ne retirez pas et ne touchez pas les éléments du compartiment congélateur avec les mains mouillées ou humides.
- Ne recongelez jamais un aliment qui a été décongelé.
- Respectez les instructions de stockage figurant sur l'emballage des aliments surgelés.

### 2.4 Entretien et nettoyage



#### AVERTISSEMENT!

Risque de blessure corporelle ou de dommages matériels.

- Avant toute opération d'entretien, éteignez l'appareil et débranchez la fiche de la prise secteur.
- Cet appareil contient des hydrocarbures dans son circuit de réfrigération. L'entretien et la recharge du circuit de réfrigération doivent être effectués par un professionnel qualifié.
- Examinez régulièrement l'écoulement de l'appareil et si nécessaire, nettoyez-le. Si l'orifice est bouché, l'eau provenant du dégivrage s'écoulera en bas de l'appareil.

### 2.5 Mise au rebut



#### AVERTISSEMENT!

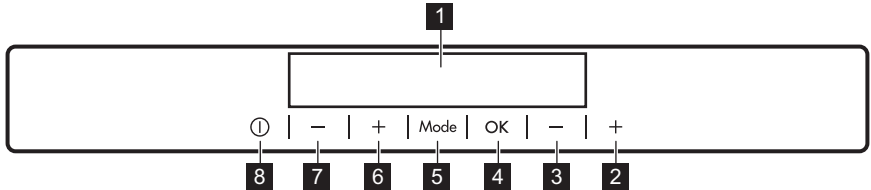
Risque de blessure ou d'asphyxie.

- Débranchez l'appareil de l'alimentation électrique.
- Coupez le câble d'alimentation et mettez-le au rebut.
- Retirez la porte pour empêcher les enfants et les animaux de s'enfermer dans l'appareil.
- Le circuit frigorifique et les matériaux d'isolation de cet appareil préservent la couche d'ozone.

- La mousse isolante contient un gaz inflammable. Contactez votre service municipal pour obtenir des informations sur la marche à suivre pour mettre l'appareil au rebut.
- N'endommagez pas la partie du circuit de réfrigération située à proximité du condenseur thermique.

## 3. FONCTIONNEMENT

### 3.1 Bandeau de commande

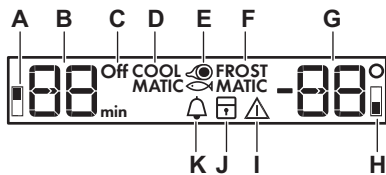


- 1** Affichage
- 2** Touche d'augmentation de la température du congélateur
- 3** Touche de diminution de la température du congélateur
- 4** OK
- 5** Mode
- 6** Touche d'augmentation de la température du réfrigérateur

- 7** Touche de diminution de la température du réfrigérateur
- 8** ON/OFF

Pour modifier la tonalité prédéfinie des touches, appuyez simultanément sur la touche Mode et la touche de diminution de la température pendant plusieurs secondes. Ce changement est réversible.

### 3.2 Affichage



- A.** Voyant du compartiment réfrigérateur
- B.** Affichage de la minuterie /Indicateur de température
- C.** Voyant ON/OFF
- D.** Fonction COOLMATIC
- E.** Fonction LongFresh
- F.** Fonction FROSTMATIC
- G.** Indicateur de température
- H.** Voyant du compartiment congélateur
- I.** Voyant d'alarme
- J.** Fonction ChildLock
- K.** Fonction MinuteMinder

### 3.3 Mise en marche

1. Branchez la fiche électrique de l'appareil à la prise de courant.
2. Appuyez sur la touche ON/OFF de l'appareil si l'affichage est éteint. Les indicateurs de température indiquent

la température programmée par défaut.



L'alarme sonore peut se déclencher au bout de quelques secondes. Pour réinitialiser l'alarme, reportez-vous au paragraphe « Alarme haute température ».

Pour sélectionner une température différente, reportez-vous au paragraphe « Réglage de la température ».

Si "dEMo" s'affiche, reportez-vous au chapitre « En cas d'anomalie de fonctionnement ».

### 3.4 Mise à l'arrêt

1. Appuyez sur la touche ON/OFF de l'appareil pendant 5 secondes. L'affichage s'éteint.
2. Débranchez la fiche électrique de l'appareil de la prise de courant.

### 3.5 Réglage de la température

Réglez la température de l'appareil en appuyant sur les touches de température.

Température par défaut :

- +5 °C dans le réfrigérateur
- -18 °C dans le congélateur

Les indicateurs de température affichent la température programmée.



La température programmée sera atteinte sous 24 heures. Après une coupure de courant, la température programmée reste enregistrée.

### 3.6 Mise en fonctionnement du réfrigérateur

Pour allumer le réfrigérateur, il vous suffit d'appuyer sur la touche de réglage de la température du réfrigérateur. Pour allumer le réfrigérateur d'une autre façon :

1. Appuyez sur la touche Mode jusqu'à ce que le symbole correspondant s'affiche.

L'indicateur OFF du réfrigérateur clignote.

2. Appuyez sur OK pour confirmer.

Le voyant OFF du réfrigérateur s'éteint.



Pour sélectionner une température différente, reportez-vous au paragraphe « Réglage de la température ».

### 3.7 Mise à l'arrêt du réfrigérateur

1. Appuyez sur la touche Mode jusqu'à ce que le symbole correspondant s'affiche.

L'indicateur OFF du réfrigérateur et le voyant du compartiment réfrigérateur clignotent.

L'indicateur de température du réfrigérateur affiche des tirets.

2. Appuyez sur OK pour confirmer. L'indicateur OFF du réfrigérateur s'allume.

### 3.8 Alarme haute température

Une augmentation de la température dans le compartiment congélateur (par exemple à cause d'une coupure de courant) est indiquée par le clignotement du symbole d'alarme et des indicateurs de température du congélateur et par le déclenchement de l'alarme sonore.

Appuyez sur une touche quelconque. L'alarme s'éteint.

L'indicateur de température/voyant du thermostat du congélateur affiche pendant quelques secondes la température la plus élevée atteinte, puis affiche à nouveau la température programmée.



Le voyant d'alarme continue de clignoter jusqu'à ce que les conditions normales soient restaurées.

### 3.9 Fonction COOLMATIC

Si vous devez ranger une grande quantité d'aliments dans votre réfrigérateur, par exemple après avoir fait vos courses, nous vous suggérons d'activer la fonction COOLMATIC : elle permet de refroidir rapidement les aliments tout en évitant le réchauffement

des denrées déjà stockées dans le réfrigérateur.

1. Appuyez sur la touche Mode jusqu'à ce que le symbole correspondant s'affiche.

L'indicateur COOLMATIC clignote.

2. Appuyez sur OK pour confirmer.

L'indicateur COOLMATIC s'affiche.

La fonction COOLMATIC se désactive automatiquement au bout d'environ 6 heures.

Pour désactiver la fonction avant sa désactivation automatique, répétez la procédure.



La fonction se désactive lorsque vous sélectionnez une température différente pour le réfrigérateur.

### 3.10 Réglage du compartiment LongFresh

1. Appuyez sur la touche Mode jusqu'à ce que le symbole correspondant s'affiche.

L'écran affiche **3**. Il s'agit du paramètre par défaut vous garantissant les performances les plus économiques.

2. Appuyez sur les touches de température du bandeau de commande pour atteindre le réglage nécessaire.

3. Appuyez sur la touche OK pour confirmer le réglage.

Le voyant revient sur le réglage de température du réfrigérateur au bout de quelques secondes.

Rég- lage	Utilisation
1-3	Viande et poisson
4-5	Viande, poisson, légumes et fruits conservés ensemble

### 3.11 Fonction FROSTMATIC

La fonction FROSTMATIC accélère la congélation des aliments frais et protège en même temps les denrées déjà entreposées d'un réchauffement indésirable.

1. Appuyez sur la touche Mode jusqu'à ce que le symbole correspondant s'affiche.

L'indicateur FROSTMATIC clignote.

2. Appuyez sur la touche OK pour confirmer.

L'indicateur FROSTMATIC s'affiche.

Cette fonction s'arrête automatiquement au bout de 52 heures.

Pour désactiver la fonction avant qu'elle ne s'arrête automatiquement, répétez la procédure jusqu'à ce que le voyant FROSTMATIC s'éteigne.



La fonction se désactive lorsque vous sélectionnez une température différente.

### 3.12 Alarme de porte ouverte

Une alarme sonore se déclenche si la porte reste ouverte pendant quelques minutes. Les conditions d'alarme de porte ouverte sont indiquées par :

- un voyant d'alarme clignotant ;
- une alarme sonore.

Au rétablissement des conditions normales (porte fermée), l'alarme s'arrête. Vous pouvez également éteindre le signal sonore en appuyant sur n'importe quelle touche.

### 3.13 Fonction ChildLock

Activez la fonction ChildLock pour verrouiller les touches et éviter toute opération accidentelle.

1. Appuyez sur la touche Mode jusqu'à ce que le symbole correspondant s'affiche.

L'indicateur ChildLock clignote.

2. Appuyez sur OK pour confirmer.

L'indicateur ChildLock s'affiche.

Pour désactiver la fonction ChildLock, répétez la procédure jusqu'à ce que le voyant ChildLock s'éteigne.

### 3.14 Fonction MinuteMinder

La fonction MinuteMinder doit être utilisée pour le réglage d'une alarme sonore à une heure souhaitée, ce qui est utile, par exemple, lorsque l'on souhaite refroidir une préparation pendant un

certain temps dans le cadre d'une recette de cuisine.

Elle est également utile lorsque vous avez besoin d'un rappel pour ne pas oublier que vous avez placé des bouteilles dans le congélateur pour les refroidir rapidement.

1. Appuyez sur la touche Mode jusqu'à ce que le symbole correspondant s'affiche.

L'indicateur MinuteMinder clignote. Le minuteur indique pendant quelques secondes la valeur programmée (30 minutes).

2. Appuyez sur la touche de réglage de la minuterie pour modifier la valeur programmée (de 1 à 90 minutes).
3. Appuyez sur OK pour confirmer. L'indicateur MinuteMinder s'affiche.

Le minuteur se met à clignoter (min). Une fois la durée programmée écoulée, le voyant MinuteMinder clignote et un signal sonore retentit. Appuyez sur la touche OK pour arrêter le signal sonore et désactiver la fonction.

Pour désactiver la fonction, répétez la procédure jusqu'à ce que MinuteMinder s'éteigne.



Il est possible de modifier la durée à tout moment et avant la fin du décompte en appuyant sur la touche de diminution de la température et sur la touche d'augmentation de la température.

## 4. PREMIÈRE UTILISATION

### 4.1 Nettoyage de l'intérieur

Avant d'utiliser l'appareil pour la première fois, nettoyez l'intérieur et tous les accessoires avec de l'eau tiède savonneuse (pour supprimer toute odeur de neuf), puis séchez-les soigneusement.



#### ATTENTION!

N'utilisez jamais de produits abrasifs ou caustiques car ils pourraient endommager le revêtement.

## 5. UTILISATION QUOTIDIENNE



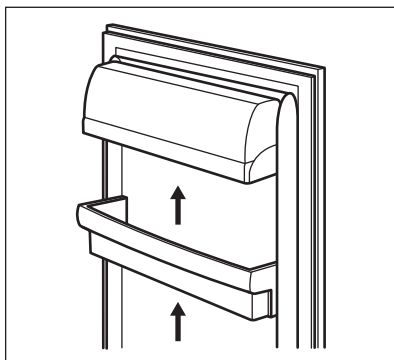
#### AVERTISSEMENT!

Reportez-vous aux chapitres concernant la sécurité.

### 5.1 Mise en place des balconnets de la porte

Selon la taille des emballages des aliments conservés, les balconnets de la porte peuvent être positionnés à différentes hauteurs.

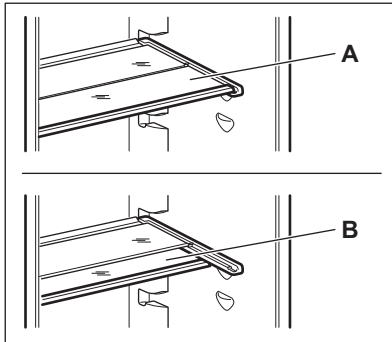
1. Faites glisser le balconnet dans le sens des flèches jusqu'à ce qu'il se libère.
2. Repositionnez-le selon les besoins.



### 5.2 Clayettes amovibles

Les parois du réfrigérateur sont équipées d'une série de glissières afin que les clayettes puissent être positionnées comme vous le souhaitez.

Pour exploiter au mieux l'espace, vous pouvez placer les demi-clayettes avant (A) sous les clayettes arrière. (B)



**i** Ne modifiez pas l'emplacement de la clayette en verre située au-dessus du bac à légumes, afin de garantir une circulation d'air optimale.

### 5.3 Congélation d'aliments frais

Le compartiment congélateur est idéal pour congeler des aliments frais et conserver longtemps des aliments congelés ou surgelés.

Pour congeler des aliments frais, activez la fonction FROSTMATIC et introduisez-les dans le compartiment congélateur.

Activez la fonction FROSTMATIC au moins 24 heures avant d'introduire des aliments frais à congeler dans le compartiment congélateur.

La quantité maximale d'aliments frais que vous pouvez congeler par tranche de 24 heures est indiquée sur la **plaque signalétique** (située à l'intérieur de l'appareil).

Le processus de congélation dure 24 heures : vous ne devez ajouter aucun autre aliment à congeler pendant cette période.

Une fois le processus de congélation terminé, revenez à la température souhaitée (voir « Fonction FROSTMATIC »).

**i** Dans ce cas, la température du compartiment réfrigérateur est susceptible de descendre en dessous de 0 °C. Si cela se produit, repositionnez le thermostat sur une position inférieure pour obtenir moins de froid.

### 5.4 Conservation d'aliments congelés et surgelés

À la mise en service ou après un arrêt prolongé, placez le thermostat sur la position maximale pendant 2 heures environ avant d'introduire les produits dans le compartiment.

**!** **AVERTISSEMENT!**  
En cas de décongélation accidentelle, due par exemple à une coupure de courant, si la coupure a duré plus de temps qu'indiqué au paragraphe « Autonomie de fonctionnement » du chapitre Caractéristiques techniques, consommez rapidement les aliments décongelés ou cuisez-les immédiatement avant de les recongeler (une fois refroidis).

### 5.5 Décongélation

Avant utilisation, les aliments surgelés ou congelés peuvent être décongelés dans le compartiment réfrigérateur ou à température ambiante en fonction du temps disponible pour cette opération.

Les petites portions peuvent même être cuites sans décongélation préalable : la cuisson sera cependant un peu plus longue.

### 5.6 Compartiment LongFresh

La température de conservation et l'humidité relative (comprise entre 45 et 90 %) créent les conditions de conservation optimales pour divers types d'aliments.

Pour en savoir plus sur les réglages de température dans le compartiment

LongFresh reportez-vous au chapitre « Réglage du compartiment LongFresh »

Le compartiment LongFresh est idéal pour conserver toute une variété d'aliments frais, car il préserve les hautes valeurs nutritionnelles ainsi que le taux d'humidité élevé bien plus longtemps que dans le réfrigérateur normal.

Le compartiment LongFresh est également adapté pour décongeler des aliments.

Les aliments décongelés peuvent être conservés jusqu'à deux jours.

## 5.7 Contrôle de l'humidité



Les deux bacs peuvent s'utiliser suivant les conditions de conservation souhaitées indépendamment l'un de l'autre avec un niveau d'humidité plus ou moins élevé.

Les bacs se règlent séparément et se contrôlent par les vannes coulissantes situées à l'avant des bacs.

- « Sec » : humidité faible - humidité relative jusqu'à 50 %  
Ce niveau d'humidité est atteint lorsque les deux glissières sont réglées en position Δ et que les orifices d'aération sont complètement ouverts.
- « Humide » : humidité relative élevée, jusqu'à 90 %  
Ce niveau d'humidité est atteint lorsque les deux glissières sont réglées en position ΔΔΔ et que les orifices d'aération sont fermés. L'humidité est capturée et ne peut s'échapper.

## 5.8 Temps de conservation des aliments frais dans le compartiment LongFresh

Type d'aliment	Réglage de l'humidité dans l'air	Durée de conservation
Oignon	Δ « Sec »	jusqu'à 5 mois
Beurre	Δ « Sec »	jusqu'à 1 mois
Grandes côtelettes de porc	Δ « Sec »	jusqu'à 10 jours
Bœuf, cerf, petites côtelettes de porc, volaille	Δ « Sec »	jusqu'à 7 jours
Sauce tomate	Δ « Sec »	jusqu'à 4 jours
Poisson, crustacés, produits cuisinés à base de viande	Δ « Sec »	jusqu'à 3 jours
Fruits de mer cuits	Δ « Sec »	jusqu'à 2 jours
<b>Salade, légumes</b> Carottes, herbes aromatiques, chou de Bruxelles, céleri	ΔΔΔ « Humide »	jusqu'à 1 mois

Type d'aliment	Réglage de l'humidité dans l'air	Durée de conservation
Artichauts, chou-fleur, chicorée, laitue iceberg, endives, mâche, laitue, poireaux, chicorée rouge	☹☹☹ « Humide »	jusqu'à 21 jours
Brocolis, chou chinois, chou frisé, chou, radis, chou de Milan	☹☹☹ « Humide »	jusqu'à 14 jours
Petits pois, chou-rave	☹☹☹ « Humide »	jusqu'à 10 jours
Ciboule, radis, asperges, épinards	☹☹☹ « Humide »	jusqu'à 7 jours
<b>Fruits</b> Poires, dattes (fraîches), fraises, pêches	☹☹☹ « Humide »	jusqu'à 1 mois
Prunes rhubarbe, groseilles à maquereau	☹☹☹ « Humide »	jusqu'à 21 jours
Pommes (qui ne craignent pas le froid), coings	☹☹☹ « Humide »	jusqu'à 20 jours
Abricots, cerises	☹☹☹ « Humide »	jusqu'à 14 jours
Prunes de Damas, raisin	☹☹☹ « Humide »	jusqu'à 10 jours
Mûres, raisins de Corinthe	☹☹☹ « Humide »	jusqu'à 8 jours
Figues (fraîches)	☹☹☹ « Humide »	jusqu'à 7 jours
Myrtilles, framboises	☹☹☹ « Humide »	jusqu'à 5 jours

**i** Les gâteaux contenant de la crème et d'autres sortes de pâtisseries peuvent être conservés dans le compartiment LongFresh pendant 2 à 3 jours.

**i** Ne placez pas dans le compartiment LongFresh :

- les fruits qui craignent le froid et doivent être stockés en cave ou à température ambiante, tels que les ananas, les bananes, les pamplemousses, les melons, les

mangues, les papayes, les oranges, les citrons et les kiwis.

- Les types d'aliments qui ne sont pas mentionnés ci-dessus doivent être stockés dans le compartiment du réfrigérateur (par ex. tous types de fromages, charcuteries, etc.)

**i** Le niveau d'humidité dans l'air des bacs dépend de l'humidité contenue dans les aliments, les légumes et les fruits stockés ainsi que de la fréquence à laquelle la porte est ouverte

Le compartiment LongFresh est également adapté à la décongélation lente des aliments. Dans ce cas, les denrées décongelées peuvent être conservées dans le compartiment LongFresh pendant un ou deux jours.

- Faites attention à la fraîcheur des aliments, particulièrement à l'approche de la date de péremption. La qualité et la fraîcheur influencent la durée de conservation.
- La durée du cycle complet de stockage dépend des conditions de conservation observées avant le stockage final au réfrigérateur.
- Les aliments, les fruits ou les légumes doivent toujours être emballés ou enveloppés avant leur stockage.
- La nourriture pour animaux doit toujours être conservée emballée et au sec.
- Les aliments riches en protéines se détériorent plus rapidement. Les fruits de mer se conservent donc moins longtemps que le poisson, qui se conserve moins longtemps que la viande. Lorsque des aliments sont conservés dans un compartiment LongFresh, leur durée de conservation peut être multipliée par trois sans que la qualité ne soit pour autant compromise.
- Tous les aliments conservés dans un compartiment LongFresh doivent être sortis des bacs environ 15 à 30 min avant d'être consommés, particulièrement les fruits et les légumes destinés à être consommés crus. Afin d'améliorer la texture et la saveur des fruits et des légumes, il est nécessaire de les laisser revenir à température ambiante.

## 6. CONSEILS

### 6.1 Bruits normaux de fonctionnement

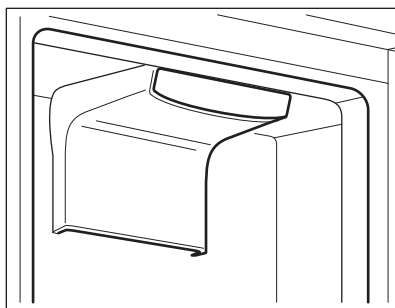
Les bruits suivants sont normaux lorsque l'appareil est en cours de fonctionnement :

- Un léger gargouillis lorsque le liquide réfrigérant est pompé.
- Un ronronnement et un bruit de pulsation provenant du compresseur

## 5.9 DYNAMICAIR

Le compartiment réfrigérateur est équipé d'un dispositif qui permet le refroidissement rapide des aliments et qui maintient une température plus homogène dans le compartiment.

Ce dispositif s'active automatiquement en cas de besoin, par exemple pour rafraîchir rapidement le réfrigérateur lorsque la porte est laissée ouverte ou si la température ambiante est élevée.



- i** La fonction DYNAMICAIR s'arrête si la porte est ouverte et redémarre sitôt la porte refermée.

## 5.10 Production de glaçons

Cet appareil est équipé d'un ou plusieurs bacs à glaçons.

- i** N'utilisez pas d'instruments métalliques pour décoller les bacs du congélateur.

1. Remplissez les bacs avec de l'eau
2. Placez les bacs dans le compartiment congélateur.

lorsque le liquide réfrigérant est pompé.

- Un bruit de craquement soudain provenant de l'intérieur de l'appareil provoqué par une dilatation thermique (un phénomène naturel et inoffensif).
- Un léger cliquetis du thermostat lorsque le compresseur s'active ou se désactive.

## 6.2 Conseils d'économie d'énergie

- Évitez d'ouvrir trop souvent la porte du congélateur et ne la laissez ouverte que le temps nécessaire.

## 6.3 Conseils pour la réfrigération des aliments frais

Pour obtenir les meilleurs résultats :

- n'introduisez pas d'aliments encore chauds ou de liquides en évaporation dans le réfrigérateur
- couvrez ou enveloppez soigneusement les aliments, surtout s'ils sont aromatiques
- placez correctement les aliments pour que l'air puisse circuler librement autour

## 6.4 Conseils pour la réfrigération

Conseil utiles :

- Viande (tous types de viande) : emballez-la dans un emballage adapté et placez-la sur l'étagère en verre au-dessus du bac à légumes. Ne conservez la viande que 1 ou 2 jours au plus.
- Aliments cuits, plats froids : couvrez-les et placez-les sur une étagère.
- Fruits et légumes : nettoyez-les soigneusement et placez-les dans le bac spécial. Bananes, pommes de terre, oignons et ail ne doivent pas être mis dans le réfrigérateur, s'ils ne sont pas emballés.
- Beurre et fromage : placez-les dans le compartiment spécial, étanche à l'air, ou enveloppez-les dans une feuille d'aluminium ou un sachet en polyéthylène, pour les tenir autant que possible à l'abri de l'air.
- Bouteilles : elles doivent être munies d'un bouchon et être placées sur le porte-bouteilles ou (s'il est installé) dans le balconnet à bouteilles de la porte.

## 6.5 Conseils pour la congélation

Voici quelques conseils importants pour obtenir un processus de congélation optimal :

- respectez la quantité maximale de denrées fraîches que vous pouvez congeler par 24 heures figurant sur la plaque signalétique ;
- le processus de congélation durant 24 heures, n'ajoutez pas d'autres aliments à congeler pendant cette période ;
- congelez uniquement des aliments de bonne qualité, frais et nettoyés ;
- préparez la nourriture en petits paquets pour une congélation rapide et uniforme, adaptés à l'importance de la consommation ;
- enveloppez les aliments dans des feuilles d'aluminium ou des sachets en plastique et assurez-vous que les emballages sont étanches ;
- ne laissez pas des aliments frais, non congelés, toucher des aliments déjà congelés pour éviter une remontée en température de ces derniers ;
- les aliments maigres se conservent mieux et plus longtemps que les aliments gras ; le sel réduit la durée de conservation des aliments ;
- la température très basse à laquelle se trouvent les bâtonnets glacés, s'ils sont consommés dès leur sortie du compartiment congélateur, peut provoquer des brûlures ;
- l'identification des emballages est importante : indiquez la date de congélation du produit et respectez la durée de conservation indiquée par le fabricant.

## 6.6 Conseils pour le stockage des aliments surgelés

Pour obtenir les meilleures performances possibles :

- assurez-vous que les denrées surgelées achetées dans le commerce ont été correctement entreposées par le revendeur ;
- prévoyez un temps réduit au minimum pour le transport des

- denrées du magasin d'alimentation à votre domicile ;
- évitez d'ouvrir trop souvent la porte du congélateur et ne la laissez ouverte que le temps nécessaire ;
- une fois décongelés, les aliments se détériorent rapidement et ne peuvent pas être recongelés ;

- ne dépassez pas la durée de conservation indiquée par le fabricant.

## 7. ENTRETIEN ET NETTOYAGE



### AVERTISSEMENT!

Reportez-vous aux chapitres concernant la sécurité.

### 7.1 Avertissements généraux



#### ATTENTION!

Débranchez l'appareil avant toute opération d'entretien et de nettoyage.



Cet appareil contient des hydrocarbures dans son circuit de réfrigération ; l'entretien et la recharge ne doivent donc être effectués que par du personnel qualifié.



Les pièces et accessoires de l'appareil ne doivent pas être lavés au lave-vaisselle.

### 7.2 Nettoyage périodique



#### ATTENTION!

Ne tirez pas, ne déplacez pas, n'endommagez pas les tuyaux et/ou câbles qui se trouvent à l'intérieur de l'appareil.



#### ATTENTION!

Attention à ne pas endommager le système de réfrigération.



#### ATTENTION!

Lorsque vous déplacez l'appareil, veillez à le soulever par l'avant pour éviter de rayé le sol.

L'appareil doit être nettoyé régulièrement :

1. Nettoyez l'intérieur et les accessoires avec de l'eau tiède et un détergent doux.
2. Vérifiez régulièrement les joints de porte et essuyez-les pour vous assurer qu'ils sont propres et ne contiennent pas de résidus.
3. Rincez et séchez soigneusement.
4. S'ils sont accessibles, nettoyez le condenseur et le compresseur situés à l'arrière de l'appareil avec une brosse.

Cette opération améliore les performances de l'appareil et permet des économies d'électricité.

La clayette la plus basse, qui sépare le compartiment réfrigérateur du compartiment ne doit être sortie qu'en vue de son nettoyage. Pour la sortir, tirez tout droit sur la clayette.



Pour garantir la complète fonctionnalité du compartiment LongFresh, la clayette inférieure et les couvercles doivent être remis dans leur position d'origine après nettoyage.

Les couvercles situés au-dessus des tiroirs dans le compartiment peuvent être sortis en vue de leur nettoyage.

### 7.3 Dégivrage du réfrigérateur

Le dégivrage du compartiment réfrigérateur est automatique. L'eau qui se forme s'écoule vers un réservoir situé sur le compresseur puis s'évapore. Le réservoir ne peut pas être retiré.

## 7.4 Dégivrage du congélateur



### ATTENTION!

N'utilisez en aucun cas d'objets métalliques ou tranchants pour gratter la couche de givre sur l'évaporateur, car vous risqueriez de le détériorer. N'utilisez aucun dispositif mécanique ou autre moyen artificiel pour accélérer le processus de dégivrage hormis ceux recommandés par le fabricant. Une élévation de la température des denrées congelées, pendant le dégivrage, peut réduire leur durée de conservation.



Mettez le thermostat sur la température la plus basse 12 heures avant d'effectuer le dégivrage afin d'assurer une réserve de froid suffisante.

Une certaine quantité de givre se forme toujours sur les clayettes du congélateur et autour du compartiment supérieur.

Dégivrez le congélateur lorsque l'épaisseur de la couche de givre est comprise entre 3 et 5 mm.

1. Éteignez l'appareil, ou débranchez la fiche de la prise secteur.
2. Sortez les denrées congelées, enveloppez-les dans plusieurs feuilles de papier journal et conservez-les dans un endroit frais.



### AVERTISSEMENT!

Ne touchez pas les produits congelés et les surfaces givrées avec les mains humides. Risque de brûlures ou d'arrachement de la peau.

3. Laissez la porte ouverte. Le dégivrage peut être accéléré en plaçant un récipient d'eau chaude dans le compartiment congélateur. Retirez également les morceaux de glace au fur et à mesure qu'ils se détachent, avant que le processus de dégivrage ne soit terminé.
4. Une fois le dégivrage terminé, séchez bien l'intérieur.
5. Mettez l'appareil en marche. Au bout de 3 heures, remplacez les produits congelés dans le compartiment congélateur.

## 7.5 En cas de non-utilisation prolongée

Si l'appareil n'est pas utilisé pendant de longues périodes, prenez les précautions suivantes :

1. Débranchez l'appareil de l'alimentation électrique.
2. Retirez tous les aliments.
3. Dégivrez (si nécessaire) et nettoyez l'appareil ainsi que tous les accessoires.
4. Nettoyez l'appareil et tous les accessoires.
5. Laissez la porte/les portes ouverte(s) pour éviter la formation d'odeurs désagréables.



### AVERTISSEMENT!

Si, toutefois, vous n'avez pas la possibilité de débrancher et de vider l'appareil, faites vérifier régulièrement le bon de fonctionnement de celui-ci pour éviter que les aliments qu'il contient ne pourrissent en cas de coupure de courant.

## 8. EN CAS D'ANOMALIE DE FONCTIONNEMENT



### AVERTISSEMENT!

Reportez-vous aux chapitres concernant la sécurité.

### 8.1 En cas d'anomalie de fonctionnement

Problème	Cause probable	Solution
L'appareil ne fonctionne pas du tout.	L'appareil est éteint.	Mettez l'appareil en marche.
	La fiche du câble d'alimentation n'est pas correctement insérée dans la prise de courant.	Branchez correctement la fiche du câble d'alimentation dans la prise de courant.
	La prise de courant n'est pas alimentée.	Branchez un autre appareil électrique à la prise de courant. Contactez un électricien qualifié.
L'appareil est bruyant.	L'appareil n'est pas stable.	Assurez-vous de la stabilité de l'appareil.
Les signaux sonores et visuels sont activés.	L'appareil a récemment été mis en marche ou la température est toujours trop élevée.	Consultez le paragraphe « Alarme porte ouverte » ou « Alarme haute température ».
	La température à l'intérieur de l'appareil est trop élevée.	Consultez le paragraphe « Alarme porte ouverte » ou « Alarme haute température ».
	La porte est laissée ouverte.	Fermez la porte.
	La température à l'intérieur de l'appareil est trop élevée.	Contactez un électricien qualifié ou le service après-vente agréé le plus proche.
Un symbole carré apparaît à la place des chiffres sur l'écran de température.	Problème de capteur de température.	Contactez le service après-vente agréé le plus proche (le système de réfrigération continuera de maintenir les aliments au froid, mais le réglage de la température n'est pas possible).
L'éclairage ne fonctionne pas.	L'éclairage est en mode veille.	Fermez puis ouvrez la porte.
L'éclairage ne fonctionne pas.	L'éclairage est défectueux.	Contactez le service après-vente agréé le plus proche.

Problème	Cause probable	Solution
Le compresseur fonctionne en permanence.	Il y a une erreur dans le réglage de la température.	Reportez-vous au chapitre « Fonctionnement ».
	Trop de produits ont été introduits simultanément.	Attendez quelques heures et vérifiez de nouveau la température.
	La température ambiante est trop élevée.	Reportez-vous au tableau des classes climatiques de la plaque signalétique.
	Les aliments introduits dans l'appareil étaient trop chauds.	Laissez refroidir les aliments à température ambiante avant de les mettre dans l'appareil.
	La porte n'est pas fermée correctement.	Reportez-vous au chapitre « Fermeture de la porte ».
	La fonction FROSTMATIC est activée.	Consultez le paragraphe « Fonctionnement du mode FROSTMATIC ».
	La fonction COOLMATIC est activée.	Consultez le paragraphe « Fonctionnement du mode COOLMATIC ».
	Le bouchon de la gouttière d'évacuation de l'eau de dégivrage n'est pas bien placé.	Placez correctement le bouchon de la gouttière d'évacuation de l'eau.
	Les aliments ne sont pas correctement emballés.	Emballer les produits de façon plus adaptée.
Le compresseur ne démarre pas immédiatement après avoir appuyé sur la touche FROSTMATIC, ou après avoir changé la température.	Il y a une erreur dans le réglage de la température.	Reportez-vous au chapitre « Fonctionnement ».
	Ce phénomène est normal, il ne s'agit pas d'une anomalie.	Le compresseur démarre au bout d'un certain temps.
	Ce phénomène est normal, il ne s'agit pas d'une anomalie.	Le compresseur démarre au bout d'un certain temps.
De l'eau s'écoule à l'intérieur du réfrigérateur.	L'orifice d'écoulement de l'eau de dégivrage est obstrué.	Nettoyez l'orifice d'écoulement de l'eau de dégivrage.

Problème	Cause probable	Solution
	Des aliments empêchent l'eau de s'écouler dans le réservoir d'eau.	Assurez-vous que les produits ne touchent pas la plaque arrière.
De l'eau coule sur le sol.	Le tuyau d'évacuation de l'eau de dégivrage n'est pas raccordé au bac d'évaporation situé au-dessus du compresseur.	Fixez le tuyau d'évacuation de l'eau au bac d'évaporation de l'eau de dégivrage.
Il est impossible de régler la température.	La fonction FROSTMATIC ou COOLMATIC est activée.	Désactivez manuellement la fonction FROSTMATIC ou COOLMATIC, ou attendez que la fonction se réinitialise automatiquement avant de régler la température. Reportez-vous au chapitre « Fonction FROSTMATIC ou COOLMATIC ».
dEMo s'affiche sur le panneau.	L'appareil est en mode démonstration.	Maintenez les touches OK et enfoncées pendant environ 10 secondes, jusqu'à ce qu'un long signal sonore retentisse et que l'affichage s'éteigne pendant un court instant.
La température à l'intérieur de l'appareil est trop basse/ élevée.	Le thermostat n'est pas réglé correctement.	Augmentez/réduisez la température.
	La porte n'est pas fermée correctement.	Reportez-vous au chapitre « Fermeture de la porte ».
	La température des produits est trop élevée.	Laissez les aliments refroidir à température ambiante avant de les placer dans l'appareil.
	Trop de produits ont été introduits simultanément.	Introduisez moins de produits en même temps.
	L'épaisseur de givre est supérieure à 4 - 5 mm.	Dégivrez l'appareil.
	La porte a été ouverte trop souvent.	N'ouvrez la porte qu'en cas de nécessité.
	L'air froid ne circule pas dans l'appareil.	Assurez-vous que de l'air froid circule dans l'appareil.



Si ces conseils n'apportent pas de solution à votre problème, veuillez consulter le service après-vente agréé le plus proche.

## 8.2 Remplacement de l'éclairage

L'appareil est équipé d'un éclairage à LED longue durée.

Le remplacement du dispositif d'éclairage doit uniquement être

effectué par un technicien du service après-vente. Contactez votre service après-vente agréé.

## 8.3 Fermeture de la porte

1. Nettoyez les joints de la porte.
2. Si nécessaire, ajustez la porte. Reportez-vous au chapitre « Installation ».
3. Si nécessaire, remplacez les joints de porte défectueux. Contactez le service après-vente agréé.

# 9. INSTALLATION

## 9.1 Positionnement

Installez cet appareil dans une pièce intérieure sèche et bien ventilée où la température ambiante correspond à la classe climatique indiquée sur la plaque signalétique de l'appareil.

Classe climatique	Température ambiante
SN	+10 °C à +32 °C
N	+16 °C à + 32 °C
ST	+16 °C à + 38 °C
T	+16 °C à + 43 °C



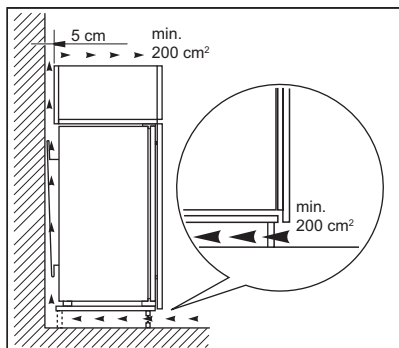
Des problèmes fonctionnels peuvent survenir sur certains types de modèles fonctionnant hors de cette plage de températures. Seul le respect de la plage de températures spécifiée peut garantir un bon fonctionnement de l'appareil. En cas de doute concernant l'emplacement d'installation de l'appareil, veuillez contacter le vendeur, notre service après-vente ou le centre de réparation agréé le plus proche.

## 9.2 Branchement électrique

- Avant de brancher l'appareil, assurez-vous que la tension et la fréquence indiquées sur la plaque signalétique correspondent à celles de votre réseau électrique domestique.
- L'appareil doit être relié à la terre. La fiche du cordon d'alimentation est fournie avec un contact à cette fin. Si la prise de courant n'est pas mise à la terre, branchez l'appareil à une mise à la terre séparée conformément aux réglementations en vigueur, en consultant un électricien spécialisé.
- Le fabricant décline toute responsabilité en cas de non-respect de ces consignes de sécurité.
- Cet appareil est conforme aux directives CEE.

## 9.3 Exigences en matière de ventilation

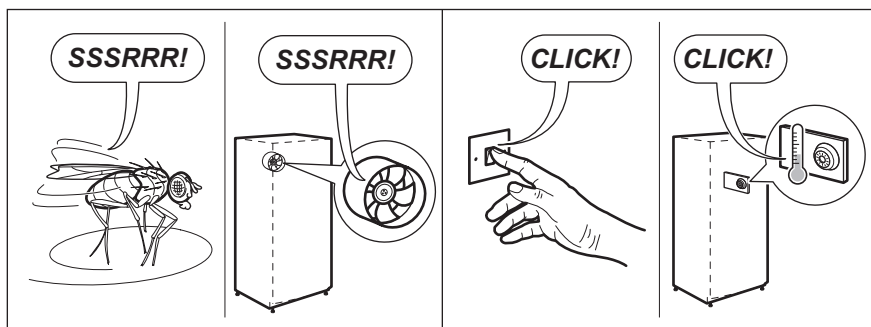
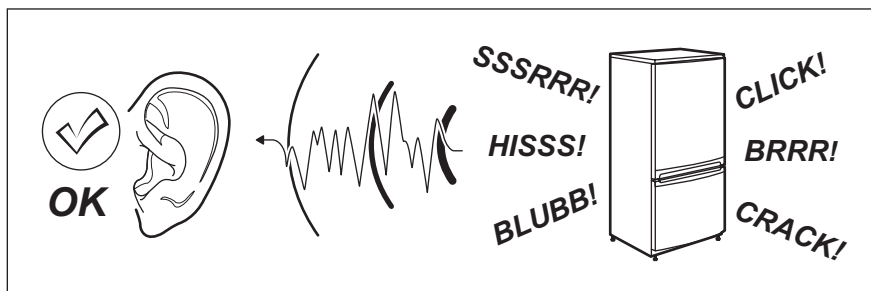
Veuillez à garantir une circulation d'air suffisante à l'arrière de l'appareil.

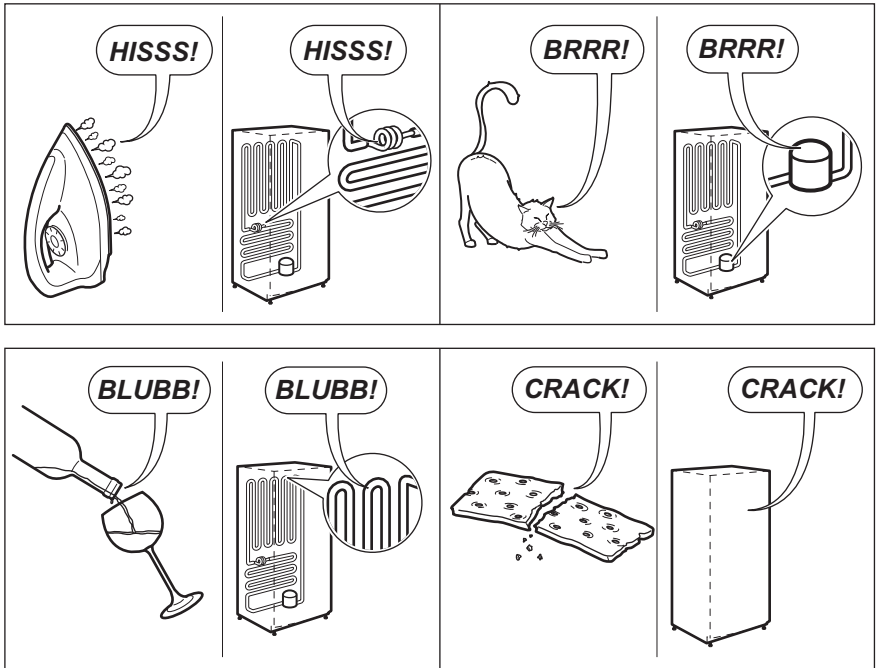


**ATTENTION!**  
Consultez la notice de montage lors de l'installation.

## 10. BRUITS

L'appareil émet certains bruits pendant son fonctionnement (compresseur, circuit frigorifique).





## 11. CARACTÉRISTIQUES TECHNIQUES


### 11.1 Caractéristiques techniques


Dimensions de la niche d'encastrement		
Hauteur	mm	1780
Largeur	mm	560
Profondeur	mm	550
Autonomie de fonctionnement	Heures	24
Tension	Volts	230 - 240
Fréquence	Hz	50

Les informations techniques figurent sur la plaque signalétique apposée sur la paroi interne ou externe de l'appareil,

mais aussi sur l'étiquette mentionnant la consommation énergétique.

## 12. EN MATIÈRE DE PROTECTION DE L'ENVIRONNEMENT

Recyclez les matériaux portant le symbole . Déposez les emballages dans les conteneurs prévus à cet effet. Contribuez à la protection de l'environnement et à votre sécurité, recyclez vos produits électriques et

électroniques. Ne jetez pas les appareils portant le symbole  avec les ordures ménagères. Emmenez un tel produit dans votre centre local de recyclage ou contactez vos services municipaux.

## CONTENIDO

1. INFORMACIÓN SOBRE SEGURIDAD.....	44
2. INSTRUCCIONES DE SEGURIDAD.....	45
3. FUNCIONAMIENTO.....	47
4. PRIMER USO.....	50
5. USO DIARIO.....	50
6. CONSEJOS.....	54
7. MANTENIMIENTO Y LIMPIEZA.....	56
8. SOLUCIÓN DE PROBLEMAS.....	58
9. INSTALACIÓN.....	61
10. RUIDOS.....	62
11. INFORMACIÓN TÉCNICA.....	63

## PARA OBTENER RESULTADOS PERFECTOS

Gracias por escoger este producto AEG. Este artículo ha sido creado para ofrecer un rendimiento impecable durante muchos años, con innovadoras tecnologías que facilitarán su vida y prestaciones que probablemente no encuentre en electrodomésticos corrientes. Por favor, dedique algunos minutos a la lectura para disfrutar de todas sus ventajas.

Consulte en nuestro sitio web:



Obtener consejos, folletos, soluciones a problemas e información de servicio:  
**[www.aeg.com/webselfservice](http://www.aeg.com/webselfservice)**



Registrar su producto para recibir un mejor servicio:  
**[www.registeraeg.com](http://www.registeraeg.com)**




Adquirir accesorios, artículos de consumo y recambios originales para su aparato:  
**[www.aeg.com/shop](http://www.aeg.com/shop)**

## ATENCIÓN Y SERVICIO AL CLIENTE

Le recomendamos que utilice recambios originales.

Al contactar con nuestro centro autorizado de servicio técnico, cerciórese de tener la siguiente información a mano: Modelo, PNC, Número de serie.

La información se puede encontrar en la placa de características.

 Advertencia / Precaución- Información sobre seguridad

 Información general y consejos

 Información sobre el medio ambiente

Salvo modificaciones.

## 1. ⚠ INFORMACIÓN SOBRE SEGURIDAD

Antes de instalar y utilizar el aparato, lea atentamente las instrucciones facilitadas. El fabricante no se hace responsable de lesiones o daños producidos como resultado de una instalación o un uso incorrectos: Conserve siempre estas instrucciones en lugar seguro y accesible para futuras consultas.

### 1.1 Seguridad de niños y personas vulnerables

- Este aparato puede ser utilizado por niños de 8 años en adelante y personas cuyas capacidades estén disminuidas siempre que cuenten con las instrucciones y/o la supervisión sobre uso del aparato de forma segura y comprendan los riesgos.
- No deje que los niños jueguen con el aparato.
- La limpieza y mantenimiento de usuario del aparato no podrán ser realizados por niños sin supervisión.
- Mantenga todo el material de embalaje fuera del alcance de los niños y deséchelo de forma adecuada.

### 1.2 Instrucciones generales de seguridad

- Este aparato está concebido para utilizarse en aplicaciones domésticas y similares, tales como:
  - Granjas; áreas de cocina para el personal en tiendas, oficinas y otros entornos de trabajo
  - Por clientes en hoteles, moteles, pensiones y otros entornos de tipo residencial
- Mantenga libres de obstrucciones las aberturas de ventilación del alojamiento del aparato o de la estructura empotrada.
- No utilice dispositivos mecánicos ni medios artificiales para acelerar el proceso de descongelación, excepto los recomendados por el fabricante.
- No dañe el circuito del refrigerante.
- No utilice dispositivos eléctricos dentro de los compartimientos para alimentos del aparato, salvo si son del tipo recomendado por el fabricante.

- No utilice pulverizadores ni vapor de agua para limpiar el aparato.
- Limpie el aparato con un paño suave humedecido. Utilice solo detergentes neutros. No utilice productos abrasivos, estropajos duros, disolventes ni objetos metálicos.
- No almacene sustancias explosivas tales como latas de aerosol con un propulsor inflamable en este aparato.
- Si el cable eléctrico sufre algún daño, el fabricante, su servicio técnico autorizado o un profesional cualificado tendrán que cambiarlo para evitar riesgos.

## 2. INSTRUCCIONES DE SEGURIDAD

### 2.1 Instalación



#### **ADVERTENCIA!**

Solo un electricista cualificado puede instalar este aparato.

- Retire todo el embalaje y los pasadores de transporte.
- No instale ni utilice un aparato dañado.
- Siga las instrucciones de instalación suministradas con el aparato.
- Tenga cuidado al mover el aparato, porque es pesado. Utilice siempre guantes de protección y calzado cerrado.
- Asegúrese de que el aire pueda circular alrededor del aparato.
- Espere al menos 4 horas antes de conectar el aparato a la alimentación eléctrica. Esto es para permitir que el aceite regrese al compresor.
- No instale el aparato cerca de radiadores, cocinas, hornos o placas de cocción.
- La parte posterior del aparato se debe colocar contra la pared.
- No instale el aparato donde reciba luz solar directa.
- No coloque este aparato en lugares demasiado húmedos o fríos, como anexos a una construcción, garajes o bodegas.

- Al mover el aparato, levántelo por el borde frontal para no arañar el suelo.

### 2.2 Conexión eléctrica



#### **ADVERTENCIA!**

Riesgo de incendios y descargas eléctricas.

- El aparato debe conectarse a tierra.
- Asegúrese de que las especificaciones eléctricas de la placa coincidan con las del suministro eléctrico de su hogar. En caso contrario, póngase en contacto con un electricista.
- Utilice siempre una toma con aislamiento de conexión a tierra correctamente instalada.
- No utilice adaptadores de enchufes múltiples ni cables prolongadores.
- Asegúrese de no provocar daños en los componentes eléctricos (como enchufe, cable de alimentación, compresor). Póngase en contacto con un electricista o con el servicio técnico autorizado para cambiar los componentes eléctricos.
- El cable de alimentación debe estar por debajo del nivel del enchufe de alimentación.
- Conecte el enchufe a la toma de corriente únicamente cuando haya terminado la instalación. Asegúrese de tener acceso al enchufe del

suministro de red una vez finalizada la instalación.

- No desconecte el aparato tirando del cable de conexión a la red. Tire siempre del enchufe.

## 2.3 Uso



### ADVERTENCIA!

Existe riesgo de lesiones, quemaduras, descargas eléctricas o incendios.

- No cambie las especificaciones de este aparato.
- El utilice otros aparatos eléctricos (como máquinas de hacer helados) dentro de aparatos de refrigeración, a menos que el fabricante haya autorizado su utilización
- Tenga cuidado para no dañar el circuito de refrigerante. Contiene isobutano (R600a), un gas natural con alto grado de compatibilidad medioambiental. Este gas es inflamable.
- Si se daña el circuito del refrigerante, evite las llamas y fuentes de ignición en la habitación. Ventile la habitación.
- No toque con elementos calientes las piezas de plástico del aparato.
- No coloque bebidas con gas en el congelador. Se creará presión en el contenedor de la bebida.
- No almacene gas ni líquido inflamable en el aparato.
- No coloque productos inflamables ni objetos mojados con productos inflamables dentro, cerca o encima del aparato.
- No toque el compresor ni el condensador. Están calientes.
- No retire ni toque elementos del compartimento congelador con las manos húmedas o mojadas.
- No vuelva a congelar alimentos que se hayan descongelado.

- Siga las instrucciones del envase de los alimentos congelados.

## 2.4 Mantenimiento y limpieza



### ADVERTENCIA!

Podría sufrir lesiones o dañar el aparato.

- Antes de proceder con el mantenimiento, apague el aparato y desconecte el enchufe de la red.
- Este equipo contiene hidrocarburos en la unidad de refrigeración. Solo una persona cualificada debe realizar el mantenimiento y la recarga de la unidad.
- Examine periódicamente el desagüe del aparato y límpielo si fuera necesario. Si el desagüe se bloquea, el agua descongelada se acumulará en la base del aparato.

## 2.5 Desecho



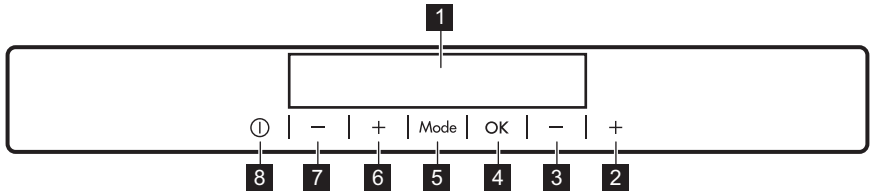
### ADVERTENCIA!

Existe riesgo de lesiones o asfixia.

- Desconecte el aparato de la red.
- Corte el cable de conexión a la red y deséchelo.
- Retire la puerta para evitar que los niños y las mascotas queden encerrados en el aparato.
- El circuito del refrigerante y los materiales aislantes de este aparato no dañan la capa de ozono.
- La espuma aislante contiene gas inflamable. Póngase en contacto con las autoridades locales para saber cómo desechar correctamente el aparato.
- No dañe la parte de la unidad de refrigeración que está cerca del intercambiador de calor.

### 3. FUNCIONAMIENTO

#### 3.1 Panel de control

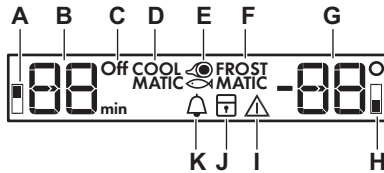


- 1** Pantalla
- 2** Tecla de calentamiento de temperatura del congelador
- 3** Tecla de enfriamiento de temperatura del congelador
- 4** OK
- 5** Mode
- 6** Tecla de calentamiento de temperatura del frigorífico

- 7** Tecla de enfriamiento de temperatura del frigorífico
- 8** ON/OFF

Se puede cambiar el sonido predefinido de las teclas manteniendo pulsadas al mismo tiempo unos segundos la tecla Mode y la de menor temperatura. El cambio es reversible.

#### 3.2 Pantalla



- A.** Indicador del compartimento frigorífico
- B.** Indicador del temporizador /Indicador de temperatura
- C.** Indicador ON/OFF
- D.** Función COOLMATIC
- E.** Función LongFresh
- F.** Función FROSTMATIC
- G.** Indicador de temperatura
- H.** Indicador del compartimento congelador
- I.** Indicador de alarma
- J.** Función ChildLock
- K.** Función MinuteMinder

#### 3.3 Encendido

1. Conecte el enchufe a la toma de corriente.
2. Pulse ON/OFF del aparato si la pantalla está apagada. Los indicadores de temperatura muestran la temperatura predeterminada programada.



Puede que oiga la señal acústica de alarma tras unos segundos.  
Para restaurar la alarma, consulte la sección "Alarma de temperatura alta".

Para programar otra temperatura, consulte la sección "Regulación de la temperatura".

Si "dEMo" aparece en la pantalla, consulte "Solución de problemas".

### 3.4 Apagado

1. Pulse la tecla ON/OFF del aparato durante 5 segundos.  
La pantalla se apaga.
2. Desenchufe el aparato de la toma de corriente.

### 3.5 Regulación de la temperatura

Ajuste la temperatura del aparato pulsando los reguladores de temperatura.

Ajuste de la temperatura predeterminada:

- +5°C para el frigorífico
- -18°C para el congelador

Los indicadores de temperatura muestran la temperatura programada.



La temperatura programada se alcanza en un plazo de 24 horas.

Después de un corte del suministro eléctrico, la temperatura ajustada se guarda.

### 3.6 Encendido del frigorífico

Para encender el frigorífico basta con pulsar su regulador de temperatura. Para encender el frigorífico de la otra forma:

1. Pulse Mode hasta que aparezca el icono correspondiente.  
El indicador OFF del frigorífico parpadea.
2. Pulse OK para confirmar.  
El indicador de frigorífico OFF se apaga.



Para programar otra temperatura, consulte la sección "Regulación de la temperatura".

### 3.7 Apagado del frigorífico

1. Pulse Mode hasta que aparezca el icono correspondiente.  
Parpadean el indicador OFF del frigorífico y el indicador del compartimento frigorífico.

El indicador de temperatura del frigorífico muestra guiones.

2. Pulse OK para confirmar.  
Aparece el indicador de frigorífico OFF.

### 3.8 Alarma de temperatura alta

Un aumento de la temperatura del compartimento congelador (por ejemplo, por falta de energía eléctrica) se indicará mediante el parpadeo del icono de alarma y los indicadores de temperatura del congelador, así como con el sonido de la señal acústica.

Pulse cualquier tecla.

La señal acústica se apaga.

El indicador de temperatura del congelador muestra la temperatura más alta alcanzada durante unos segundos y después vuelve a mostrar la temperatura ajustada.



El indicador de alarma sigue parpadeando hasta que se restablecen las condiciones normales.

### 3.9 Función COOLMATIC

Si necesita introducir una gran cantidad de alimentos calientes, por ejemplo, después de haber hecho la compra, se aconseja activar la función COOLMATIC para enfriarlos más rápidamente y evitar que suba la temperatura de los que ya se guardan en el frigorífico.

1. Pulse Mode hasta que aparezca el icono correspondiente.  
El indicador COOLMATIC parpadea.
2. Pulse OK para confirmar.  
Aparece el indicador COOLMATIC.  
La función COOLMATIC se desactiva automáticamente después de unas 6 horas.

Para apagar la función antes de que termine automáticamente, repita el procedimiento.



La función se apaga seleccionando una temperatura programada diferente.

### 3.10 Ajuste del compartimento LongFresh

1. Pulse Mode hasta que aparezca el icono correspondiente.  
En la pantalla aparece **3**. Se trata del ajuste predeterminado que garantiza los mejores resultados.
2. Pulse las teclas de temperatura del panel de control para seleccionar el ajuste necesario.
3. Pulse OK para confirmar el ajuste. El indicador vuelve al ajuste de temperatura del frigorífico en unos segundos.

Ajuste	Aplicación
1-3	Carne y pescado
4-5	Carne, pescado, verduras y fruta almacenados juntos

### 3.11 Función FROSTMATIC

La función FROSTMATIC acelera la congelación de alimentos frescos e impide que se calienten los alimentos ya almacenados.

1. Pulse la tecla Mode hasta que aparezca el icono correspondiente. El indicador FROSTMATIC parpadea.
2. Pulse la tecla OK para confirmar. Aparece el indicador FROSTMATIC. La función se detiene automáticamente después de 52 horas.

Para apagar la función antes del final automático, repita el procedimiento hasta que el indicador FROSTMATIC se apague.



La función se apaga seleccionando una temperatura programada diferente.

### 3.12 Alarma de puerta abierta

Si la puerta se queda abierta durante unos minutos, sonará una señal acústica. Los indicadores de puerta abierta son los siguientes:

- un indicador de alarma intermitente;
- una señal acústica.

Una vez restablecidas las condiciones normales (puerta cerrada), la alarma acústica se detendrá. La señal acústica se puede parar pulsando cualquier tecla.

### 3.13 Función ChildLock

Active la función ChildLock para bloquear las teclas frente a pulsaciones accidentales.

1. Pulse Mode hasta que aparezca el icono correspondiente. El indicador ChildLock parpadea.
2. Pulse OK para confirmar. Aparece el indicador ChildLock. Para activar la función ChildLock, repita el procedimiento hasta que el indicador ChildLock se apague.

### 3.14 Función MinuteMinder

La función MinuteMinder debe utilizarse para ajustar una alarma acústica a la hora deseada, algo útil por ejemplo para recetas en las que deben enfriarse los alimentos durante un tiempo determinado.

También resulta útil cuando se necesita un recordatorio para no olvidar que se han colocado botellas en el congelador para que se enfríen rápidamente.

1. Pulse Mode hasta que aparezca el icono correspondiente. El indicador MinuteMinder parpadea. El temporizador muestra el tiempo programado (30 minutos) durante unos segundos.
2. Pulse el regulador del temporizador para programar un valor entre 1 y 90 minutos.
3. Pulse OK para confirmar. Aparece el indicador MinuteMinder. El temporizador empieza a parpadear (min). Al terminar la cuenta atrás, parpadea el indicador MinuteMinder y suena la alarma. Pulse OK para apagar el sonido y desactivar la función.

Para apagar la función, repita el procedimiento hasta que MinuteMinder se apague.



El tiempo puede modificarse en cualquier momento durante la cuenta atrás y al finalizar pulsando las teclas de enfriamiento o calentamiento de temperatura.

## 4. PRIMER USO

### 4.1 Limpieza del interior

Antes de utilizar el aparato por primera vez, debe lavar su interior y todos los accesorios internos con agua templada y jabón neutro para eliminar el típico olor de los productos nuevos. A continuación seque bien todo.



#### PRECAUCIÓN!

No utilice detergentes ni polvos abrasivos, ya que podrían dañar el acabado.

## 5. USO DIARIO



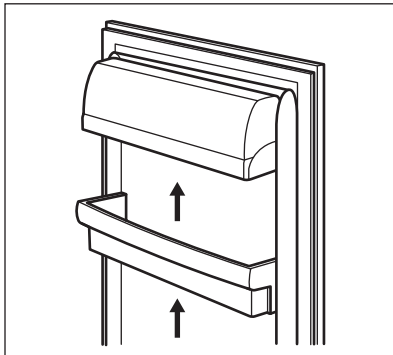
#### ADVERTENCIA!

Consulte los capítulos sobre seguridad.

### 5.1 Colocación de los estantes de la puerta

Para poder guardar alimentos de distintos tamaños, los estantes de la puerta se pueden colocar a diferentes alturas.

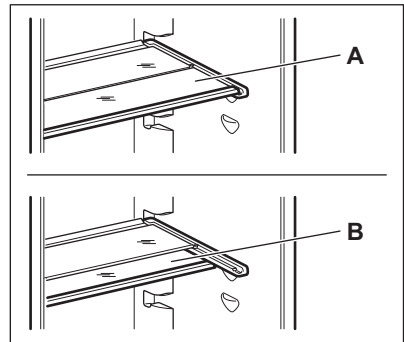
1. Tire gradualmente del estante en la dirección de las flechas hasta que se desenganche.
2. Vuelva a colocarlo según sea necesario.



### 5.2 Estantes móviles

Las paredes del frigorífico cuentan con una serie de guías para colocar los estantes del modo que se prefiera.

Para aprovechar mejor el espacio, los estantes frontales más pequeños (A) pueden colocarse bajo los traseros. (B)



No coloque el estante de vidrio por encima del cajón de verduras para no impedir la correcta circulación del aire.

### 5.3 Congelación de alimentos frescos

El compartimento del congelador es adecuado para congelar alimentos frescos y conservar a largo plazo los alimentos congelados y ultracongelados.

Para congelar alimentos frescos, active la función FROSTMATIC e introduzca los alimentos en el compartimento congelador.

Para congelar alimentos frescos, active la función FROSTMATIC al menos 24 horas antes de introducir los alimentos en el compartimento congelador.

La cantidad máxima de alimentos que puede congelarse en 24 horas se indica en la **placa de características**, una etiqueta situada en el interior del aparato.

El proceso de congelación dura 24 horas: durante ese tiempo no deben añadirse otros alimentos para congelar.

Cuando haya finalizado el proceso de congelación, vuelva a ajustar la temperatura adecuada (consulte "Función FROSTMATIC").



En esa situación, la temperatura del compartimento frigorífico puede descender por debajo de 0°C. En ese caso, sitúe el regulador de temperatura en un ajuste menos frío.

### 5.4 Conservación de alimentos congelados

Al poner en marcha el aparato por primera vez o después de un periodo sin uso, déjelo en marcha al menos durante 2 horas con un ajuste alto antes de colocar los productos en el compartimento.



#### ADVERTENCIA!

En caso de producirse una descongelación accidental, por ejemplo, por un corte del suministro eléctrico, y si la interrupción ha sido más prolongada que el valor indicado en el campo "tiempo de elevación" de la tabla de características técnicas, será necesario consumir cuanto antes los alimentos descongelados o cocinarlos de inmediato y congelarlos de nuevo (después de que se hayan enfriado).

### 5.5 Descongelación

Los alimentos ultracongelados o congelados, antes de utilizarlos, se pueden descongelar en el compartimento frigorífico o a temperatura ambiente, dependiendo del tiempo de que se disponga.

Es posible incluso cocinar piezas pequeñas congeladas, tomadas directamente del congelador: en tal caso, el tiempo de cocción será más prolongado.

### 5.6 Compartimento LongFresh

La temperatura de almacenamiento y la humedad relativa (entre 45 y 90 %) ofrecen las condiciones óptimas para almacenar distintas clases de alimentos.

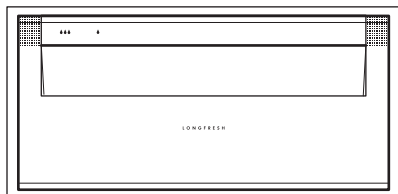
Para informarse sobre los ajustes de temperatura del compartimento LongFresh, consulte la sección "Ajuste del compartimento LongFresh"

El compartimento LongFresh es apropiado para el almacenamiento de distintos alimentos frescos, ya que conserva su alto valor nutricional y su elevado nivel de humedad durante mucho más tiempo que un frigorífico normal.

El compartimento LongFresh también es adecuado para descongelar alimentos.

Los alimentos descongelados se pueden guardar hasta dos días.

## 5.7 Control de humedad



Pueden usarse ambos cajones de acuerdo con las condiciones de almacenamiento deseadas, siendo un cajón independiente del otro, con mayor o menor humedad.

La regulación de cada cajón es independiente y se controla con la válvula deslizante de la parte frontal.

- “Seco”: baja humedad del aire, hasta el 50% de humedad relativa. Este nivel de humedad se obtiene deslizando ambos pestillos a la posición  $\Delta$  y las aberturas de ventilación totalmente abiertas.
- “Húmedo”: alta humedad relativa, hasta el 90%. Este nivel de humedad se obtiene deslizando ambos pestillos a la posición  $\Delta\Delta\Delta$  y las aberturas de ventilación cerradas. La humedad se mantiene y no puede salir.

## 5.8 Tiempo de almacenamiento en el compartimento LongFresh

Tipo de alimento	Ajuste de la humedad del aire	Tiempo de almacenamiento
Cebollas	$\Delta$ "seco"	hasta 5 meses
Mantequilla	$\Delta$ "seco"	hasta 1 mes
Cortes de cerdo grandes	$\Delta$ "seco"	hasta 10 días
Vacuno, corzo/ciervo, cortes de cerdo pequeños, aves	$\Delta$ "seco"	hasta 7 días
Salsa de tomate	$\Delta$ "seco"	hasta 4 días
Pescado, marisco, carnes cocinadas	$\Delta$ "seco"	hasta 3 días
Marisco cocinado	$\Delta$ "seco"	hasta 2 días
<b>Ensaladas, verduras</b> Zana- horias, hierbas, coles de Bruselas, apio	$\Delta\Delta\Delta$ "húmedo"	hasta 1 mes
Alcachofas, coliflor, endi- vias, lechuga iceberg, endi- vias, canónigos, lechuga, puerros, achicoria	$\Delta\Delta\Delta$ "húmedo"	hasta 21 días
Brécol, col china, col rizada, repollo, rábanos, berza de Saboya	$\Delta\Delta\Delta$ "húmedo"	hasta 14 días

Tipo de alimento	Ajuste de la humedad del aire	Tiempo de almacenamiento
Guisantes, colinabo	☹☹☹ "húmedo"	hasta 10 días
Cebolletas, rábanos, espárragos, espinacas	☹☹☹ "húmedo"	hasta 7 días
<b>Fruta</b> Peras, dátiles (frescos), fresas, melocotones	☹☹☹ "húmedo"	hasta 1 mes
Ciruelas ruibarbo, grosellas	☹☹☹ "húmedo"	hasta 21 días
Manzanas (no sensibles al frío), membrillos	☹☹☹ "húmedo"	hasta 20 días
Albaricoques, cerezas	☹☹☹ "húmedo"	hasta 14 días
Ciruelas, uvas	☹☹☹ "húmedo"	hasta 10 días
Moras, pasas	☹☹☹ "húmedo"	hasta 8 días
Higos (frescos)	☹☹☹ "húmedo"	hasta 7 días
Arándanos, frambuesas	☹☹☹ "húmedo"	hasta 5 días



Los pasteles que contienen crema y otros tipos de repostería se pueden guardar en el compartimento LongFresh durante 2 o 3 días.



No debe colocarse en el compartimento LongFresh:

- la fruta sensible al frío que deba guardarse en sótanos o a temperatura ambiente, como la piña, el plátanos, la uva, el melón, el mango, la papaya, la naranja, el limón o el kiwi.
- Los tipos de alimentos no mencionados arriba deben guardarse en el compartimento frigorífico (p. ej., todos los tipos de queso, los embutidos, etc.)



El nivel de humedad del aire en los cajones depende del contenido de humedad de los alimentos guardados, las verduras y las frutas, así como de la frecuencia de apertura de la puerta

El compartimento LongFresh también es adecuado para la descongelación lenta de los alimentos. En este caso, el alimento descongelado se puede guardar en el compartimento LongFresh hasta dos días.

- Preste atención a la frescura de los alimentos, especialmente a la fecha de caducidad. La calidad y la frescura afectan al tiempo de almacenamiento.
- La duración total del ciclo de almacenamiento dependerá de las condiciones de conservación practicadas antes del almacenamiento final en el frigorífico.

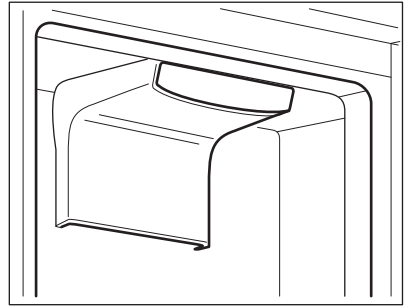
- Los alimentos, las frutas o las verduras deben siempre embalarse o taparse antes de guardarse.
- Los alimentos de origen animal deben guardarse siempre secos y embalados.
- Los alimentos ricos en proteínas se estropean antes. Esto significa que el marisco se estropea antes que el pescado y éste antes que la carne. Al guardar los alimentos en un compartimento LongFresh se puede aumentar el tiempo de almacenamiento para ese tipo de alimentos hasta tres veces sin perder calidad.
- Todos los alimentos guardados en un compartimento LongFresh deben sacarse de los cajones unos 15-30 min antes del consumo, especialmente la fruta y las verduras para consumirse sin ningún proceso de cocción adicional. Si se deja que las frutas y verduras recuperen la temperatura ambiente, mejorará la textura y el sabor.

## 5.9 DYNAMICAIR

El compartimento frigorífico cuenta con un dispositivo que permite enfriar los alimentos con rapidez y mantener una temperatura más uniforme dentro del compartimento.

El dispositivo se activa por sí solo cuando es necesario, por ejemplo, para

recuperar rápidamente la temperatura después de abrir la puerta o cuando la temperatura ambiente sea elevada.



- i** El dispositivo DYNAMICAIR se detiene cuando la puerta está abierta y se reinicia inmediatamente después de cerrar la puerta.

## 5.10 Producción de cubitos de hielo

Este aparato cuenta con una o varias bandejas para la producción de cubitos de hielo.

- i** No utilice instrumentos metálicos para retirar las bandejas del congelador.

1. Rellene estas bandejas con agua.
2. Ponga las bandejas de hielo en el compartimento del congelador.

# 6. CONSEJOS

## 6.1 Sonidos de funcionamiento normal

Los ruidos siguientes son normales durante el funcionamiento:

- Un gorgoteo y burbujeo débil desde el serpentín cuando se bombea el refrigerante.
- Un zumbido o sonido intermitente desde el compresor cuando se bombea el refrigerante.
- Un chasquido repentino desde el interior del aparato debido a la dilatación térmica (un fenómeno físico natural no peligroso).

- Un chasquido débil desde el regulador de temperatura cuando se activa o desactiva el compresor.

## 6.2 Consejos para ahorrar energía

- No abra la puerta con frecuencia ni la deje abierta más tiempo del estrictamente necesario.

## 6.3 Consejos para la refrigeración de alimentos frescos

Para obtener los mejores resultados:

- no guarde en el frigorífico alimentos calientes ni líquidos en evaporación
- cubra o envuelva los alimentos, en especial si tienen sabores fuertes
- coloque los alimentos de modo que el aire pueda circular libremente entre ellos

## 6.4 Consejos para la refrigeración

Consejos útiles:

- Carne (de todo tipo): guárdela en un envoltorio adecuado y colóquela en el estante de vidrio, sobre el cajón de las verduras. Almacene la carne durante un máximo de 1-2 días.
- Alimentos cocinados, platos fríos: cubra y coloque en cualquier instante.
- Frutas y verduras: limpie a fondo y coloque en un cajón especial. No guarde en el frigorífico productos como plátanos, patatas, cebollas y ajos, a menos que estén empaquetados.
- Mantequilla y queso: coloque en un recipiente hermético especial o envuelva o bolsas de polietileno para eliminar todo el aire posible.
- Botellas: cierre con un tapón y colóquelas en el estante para botellas de la puerta de la puerta o en el botellero (si dispone de él).

## 6.5 Consejos sobre la congelación

Para aprovechar al máximo el proceso de congelación, tenga en cuenta:

- la cantidad máxima de alimentos que puede congelarse en 24 horas se indica en la placa de datos técnicos;
- el proceso de congelación tarda 24 horas, no añada más alimentos para congelar durante ese tiempo;
- congele sólo alimentos de máxima calidad, frescos y perfectamente limpios;
- divida los alimentos en porciones pequeñas para agilizar el proceso de

congelación y facilitar la descongelación y uso de las cantidades necesarias;

- envuelva los alimentos en papel de aluminio o polietileno y compruebe que los envoltorios quedan herméticamente cerrados;
- no permita que alimentos frescos y sin congelar entren en contacto con alimentos ya congelados, así evitará que aumente su temperatura;
- los alimentos magros se congelan mejor que los grasos; la sal reduce el tiempo de almacenamiento de los alimentos;
- el hielo que se consume inmediatamente después de extraerlo del congelador puede provocar quemaduras por congelación en la piel;
- se recomienda etiquetar cada paquete con la fecha de congelación para controlar el tiempo de almacenamiento.

## 6.6 Consejos para el almacenamiento de alimentos congelados

Para obtener el máximo rendimiento de este aparato, deberá:

- comprobar que el comerciante ha mantenido los productos congelados correctamente almacenados;
- procurar que los alimentos congelados pasen de la tienda al congelador en el menor tiempo posible;
- evitar la apertura frecuente de la puerta o dejarla abierta más tiempo del estrictamente necesario;
- los alimentos descongelados se deterioran con rapidez y no pueden congelarse de nuevo;
- no supere el tiempo de almacenamiento indicado por el fabricante de los alimentos.

## 7. MANTENIMIENTO Y LIMPIEZA



### ADVERTENCIA!

Consulte los capítulos sobre seguridad.

### 7.1 Advertencias generales



### PRECAUCIÓN!

Antes de realizar tareas de mantenimiento, desenchufe el aparato



Este aparato contiene hidrocarburos en la unidad de refrigeración por lo que cualquier tarea de mantenimiento o recarga debe ser realizada por personal técnico homologado.



Los accesorios y las piezas del aparato no deben lavarse en el lavavajillas.

### 7.2 Limpieza periódica



### PRECAUCIÓN!

No mueva, dañe ni tire de los conductos o cables del interior del armario.



### PRECAUCIÓN!

Tenga cuidado para no dañar el sistema de refrigeración.



### PRECAUCIÓN!

Al mover el frigorífico, levántelo por el borde frontal para no arañar el suelo.

El equipo debe limpiarse de forma regular:

1. Limpie el interior y los accesorios con agua templada y un jabón neutro.
2. Revise y limpie periódicamente las juntas de la puerta para mantenerlas limpias y sin restos;
3. Aclare y seque a fondo.
4. Si se puede acceder, limpie el condensador y el compresor de la

parte posterior del aparato con un cepillo.

Esa operación mejorará el rendimiento del aparato y reducirá el consumo eléctrico.

El estante inferior, que divide el compartimento congelador del compartimento, se puede quitar sólo para su limpieza. Para retirarlo, tire del estante horizontalmente.



Para asegurar la funcionalidad del compartimento LongFresh, el estante más bajo y las cubiertas se deben volver a colocar en su posición original después de la limpieza.

Las cubiertas situadas sobre los cajones del compartimento se pueden retirar para la limpieza.

### 7.3 Descongelación del frigorífico

La descongelación del compartimento frigorífico es automática. El agua que se forma fluye a un recipiente del compresor y se evapora. El recipiente no se puede quitar.

## 7.4 Descongelación del congelador



### PRECAUCIÓN!

No utilice herramientas metálicas afiladas para raspar la escarcha del evaporador, ya que podría dañarlo. No utilice dispositivos mecánicos ni medios artificiales para acelerar el proceso de descongelación, excepto los recomendados por el fabricante. El aumento de la temperatura de los paquetes de alimentos congelados durante la descongelación puede acortar su tiempo de almacenamiento.



Unas 12 horas antes de realizar la descongelación, ajuste una temperatura más baja con el fin de acumular frío suficiente para la interrupción del funcionamiento.

Siempre se forma un poco de escarcha en los estantes del congelador y en torno al compartimento superior.

Descongele el congelador sólo cuando la capa de escarcha alcance un grosor de unos 3 a 5 mm.

1. Apague el aparato o desconecte el enchufe de la toma de corriente.
2. Retire los alimentos congelados, envuélvalos en varias hojas de papel de periódico y colóquelos en un sitio fresco.



### ADVERTENCIA!

No toque los alimentos congelados con las manos mojadas. Podrían congelarse al contacto con los alimentos.

3. Deje la puerta abierta. Para acelerar el proceso de descongelación, coloque un recipiente con agua tibia en el compartimento congelador. Además, retire los trozos de hielo que se desprendan antes de que finalice la descongelación.
4. Cuando la descongelación haya terminado, seque a fondo el interior del aparato.
5. Encienda el aparato. Después de tres horas, vuelva a introducir los alimentos retirados anteriormente en los compartimentos.

## 7.5 Periodos de inactividad

Si el aparato no se utiliza durante un tiempo prolongado, tome las siguientes precauciones:

1. Desconecte el aparato de la red eléctrica.
2. Extraiga todos los alimentos.
3. Descongele (si fuera necesario) y limpie el aparato y todos los accesorios.
4. Limpie el aparato y todos los accesorios.
5. Deje la puerta o puertas abiertas para que no se produzcan olores desagradables.



### ADVERTENCIA!

Si desea mantener el aparato encendido, procure que alguien lo vigile de vez en cuando para que los alimentos de su interior no se estropeen si se interrumpe el suministro eléctrico.

## 8. SOLUCIÓN DE PROBLEMAS



### ADVERTENCIA!

Consulte los capítulos sobre seguridad.

### 8.1 Qué hacer si...

Problema	Posible causa	Solución
El aparato no funciona.	El aparato se apaga.	Encienda el aparato.
	El aparato no está correctamente enchufado a la toma de corriente.	Enchufe el aparato correctamente a la toma de corriente.
	No hay tensión en la toma de corriente.	Enchufe un aparato eléctrico diferente a la toma de corriente. Llame a un electricista cualificado.
El aparato hace ruido.	El aparato no está bien apoyado en el suelo.	Compruebe que los soportes del aparato descansan sobre una superficie estable.
La alarma audible o visual está activada.	El aparato se ha conectado recientemente o la temperatura sigue siendo demasiado alta.	Consulte "Alarma de puerta abierta" o "Alarma de temperatura alta".
	La temperatura del horno es demasiado alta.	Consulte "Alarma de puerta abierta" o "Alarma de temperatura alta".
	La puerta se ha dejado abierta.	Cierre la puerta del aparato.
	La temperatura del horno es demasiado alta.	Llame a un electricista homologado o póngase en contacto con el centro de servicio técnico autorizado más cercano.
Aparece un símbolo cuadrado en lugar de números en la pantalla de temperatura.	Problema en el sensor de temperatura.	Póngase en contacto con el centro de servicio técnico autorizado más cercano (el sistema de refrigeración seguirá manteniendo fríos los alimentos, pero no podrá ajustar la temperatura).
La bombilla no funciona.	La bombilla está en espera.	Cierre y abra la puerta.

Problema	Posible causa	Solución
La bombilla no funciona.	La bombilla es defectuosa.	Póngase en contacto con el servicio técnico autorizado más cercano.
El compresor funciona continuamente.	La temperatura está ajustada incorrectamente.	Consulte "Funcionamiento".
	Se han guardado muchos alimentos al mismo tiempo.	Espere unas horas y vuelva a comprobar la temperatura.
	La temperatura ambiente es demasiado alta.	Consulte la tabla de clase climática en la placa de características.
	Los alimentos introducidos en el aparato estaban demasiado calientes.	Deje que los alimentos se enfríen a temperatura ambiente antes de almacenarlos.
	La puerta no está bien cerrada.	Consulte la sección "Cierre de la puerta".
	La función FROSTMATIC está activada.	Consulte "Función FROSTMATIC".
	La función COOLMATIC está activada.	Consulte "Función COOLMATIC".
	El tapón de drenaje del agua no está bien colocado.	Coloque el tapón de drenaje en la forma correcta.
	Los alimentos no están bien envueltos.	Envuelva mejor los productos.
	La temperatura está ajustada incorrectamente.	Consulte "Funcionamiento".
El compresor no se pone en marcha inmediatamente después de pulsar FROSTMATIC o tras cambiar la temperatura.	Esto es normal y no significa que exista un error.	El compresor se pone en marcha después de un cierto tiempo.
El compresor no se pone en marcha inmediatamente después de pulsar COOLMATIC o tras cambiar la temperatura.	Esto es normal y no significa que exista un error.	El compresor se pone en marcha después de un cierto tiempo.
El agua fluye por el interior del frigorífico.	La salida de agua está obstruida.	Limpie la salida de agua.

Problema	Posible causa	Solución
	Los productos impiden que el agua fluya al colector de agua.	Asegúrese de que los alimentos no entran en contacto con la placa posterior.
Hay agua en el suelo.	El agua de la descongelación no fluye hacia la bandeja de evaporación situada sobre el compresor.	Fije la salida de agua de descongelación a la bandeja de evaporación.
No es posible ajustar la temperatura.	La función FROSTMATIC o COOLMATIC está activada.	Apague manualmente la función FROSTMATIC o COOLMATIC, o espere hasta que se restablezca automáticamente antes de ajustar la temperatura. Consulte "Función FROSTMATIC o COOLMATIC".
dEMo aparece en la pantalla.	El aparato está en modo de demostración.	Mantenga pulsado OK durante aproximadamente 10 segundos hasta que se oiga un sonido largo y la pantalla se apague un breve instante.
La temperatura del aparato es demasiado baja/alta.	El regulador de temperatura no se ha ajustado correctamente.	Seleccione una temperatura más alta o baja.
	La puerta no está bien cerrada.	Consulte la sección "Cierre de la puerta".
	La temperatura de los productos es demasiado alta.	Deje que la temperatura de los productos descienda a la temperatura ambiente antes de guardarlo.
	Se han guardado muchos alimentos al mismo tiempo.	Guarde menos productos al mismo tiempo.
	El grosor de la escarcha es de más de 4-5 mm.	Descongele el aparato.
	La puerta se ha abierto con frecuencia.	Si es necesario, cierre la puerta.
	No hay circulación de aire frío en el aparato.	Compruebe que el aire frío circula libremente en el aparato.



Si el consejo anterior no ofrece resultados, llame al servicio técnico autorizado más cercano.

## 8.2 Cambio de la bombilla

El aparato está equipado con una luz LED interior de larga duración.

El dispositivo de iluminación solo debe ser sustituido por el servicio técnico. Póngase en contacto con el servicio técnico.

### 8.3 Cierre de la puerta

1. Limpie las juntas de la puerta.

2. Si es necesario, ajuste la puerta. Consulte "Instalación".
3. Si es necesario, cambie las juntas defectuosas. Póngase en contacto con el servicio técnico autorizado.

## 9. INSTALACIÓN

### 9.1 Colocación

Instale el aparato en un lugar interior seco y bien ventilado en el que la temperatura ambiente se corresponda con la clase climática indicada en la placa de características del aparato.

Clase climática	Temperatura ambiente
SN	+10°C a + 32°C
N	+16°C a + 32°C
ST	+16°C a + 38°C
T	+16°C a + 43°C

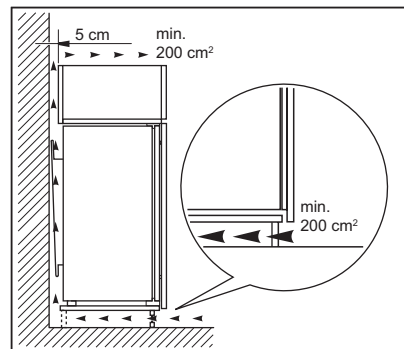


Se puede producir algún problema de funcionamiento en algunos modelos cuando se usan fuera de ese rango. Solo se puede garantizar el correcto funcionamiento dentro del rango de temperatura especificado. Si tiene cualquier duda respecto al lugar de instalación del aparato, consulte al vendedor, a nuestro servicio de atención al cliente o al servicio técnico autorizado más cercano.

- datos técnicos se corresponden con el suministro de la vivienda.
- El aparato debe conectarse a tierra. El enchufe del cable de alimentación se suministra con un contacto para tal fin. Si la toma de red de la vivienda carece de conexión a tierra, conecte el aparato a una toma de tierra conforme con la normativa, después de consultar a un electricista profesional
- El fabricante declina toda responsabilidad si no se toman las precauciones antes indicadas.
- Este aparato cumple las directivas CEE.

### 9.3 Requisitos de ventilación

El aire debe poder circular libremente por la parte posterior del aparato.



#### PRECAUCIÓN!

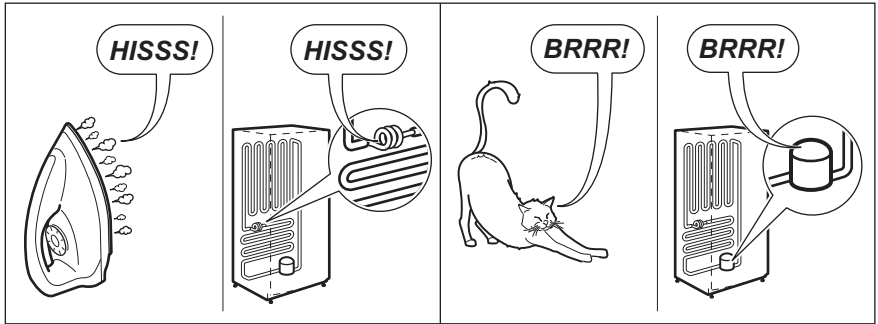
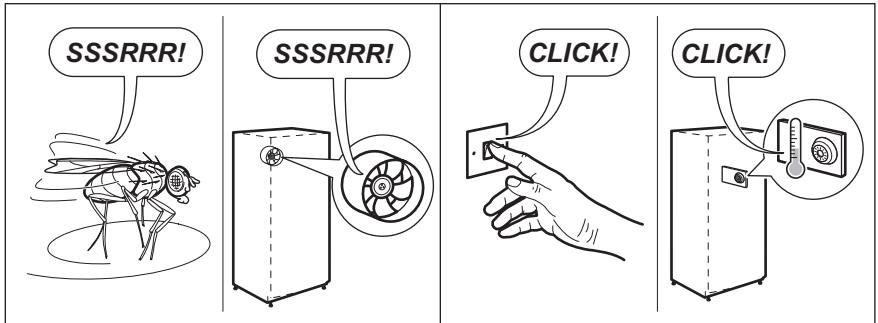
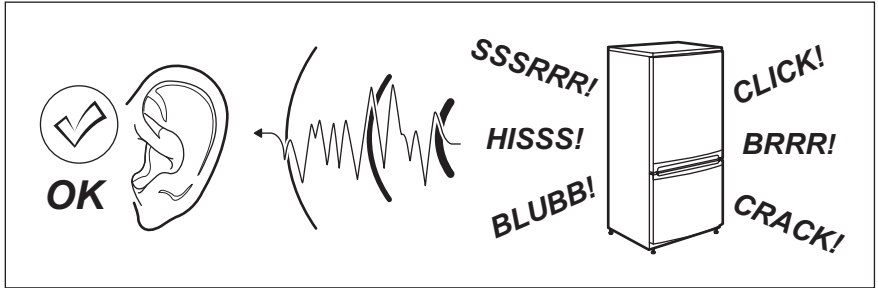
Consulte las instrucciones de montaje para la instalación.

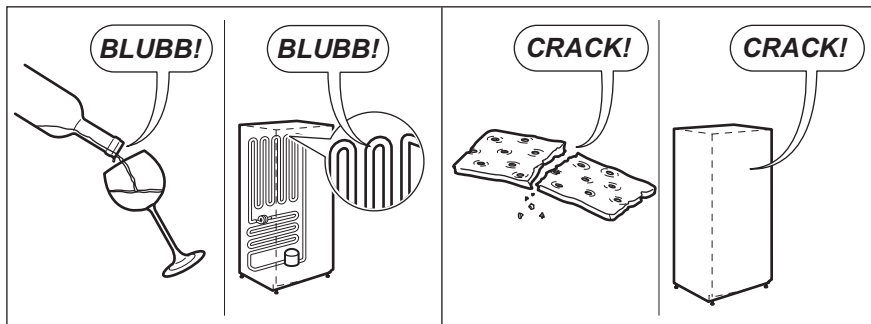
### 9.2 Conexión eléctrica

- Antes de conectar el aparato, compruebe que el voltaje y la frecuencia indicados en la placa de

# 10. RUIDOS

Durante el funcionamiento normal del aparato suelen producirse ciertos ruidos (compresor, circulación del refrigerante).





## 11. INFORMACIÓN TÉCNICA


### 11.1 Datos técnicos


Medidas del hueco			
Alto	mm		1780
Ancho	mm		560
Fondo	mm		550
Tiempo de elevación	Horas		24
Voltaje	Voltios		230 - 240
Frecuencia	Hz		50

La información técnica se encuentra en la placa de datos técnicos situada en el

lado exterior o interior del aparato, y en la etiqueta de consumo energético.

## 12. ASPECTOS MEDIOAMBIENTALES

Recicle los materiales con el símbolo . Coloque el material de embalaje en los contenedores adecuados para su reciclaje. Ayude a proteger el medio ambiente y la salud pública, así como a reciclar residuos de aparatos eléctricos y

electrónicos. No deseche los aparatos marcados con el símbolo  junto con los residuos domésticos. Lleve el producto a su centro de reciclaje local o póngase en contacto con su oficina municipal.

[www.aeg.com/shop](http://www.aeg.com/shop)



222371309-A-442015



 **AEG**  
perfekt in form und funktion