

Overview

Introduction

HP provides a portfolio of professional-grade accessories that deliver an ideal mobile office designed to help you achieve your business goals, increase productivity and lower your costs. All HP accessories go through rigorous testing and are certified to work seamlessly with your HP Business Notebook. They are backed up by HP's world-class support.

HP docking solutions include a range of convenient expansion solutions that easily connect to your HP Business Notebook or Tablet PC. Create an ideal desktop computing environment using docking stations and stands that provide port replication and cable management, as well as enable future expandability.

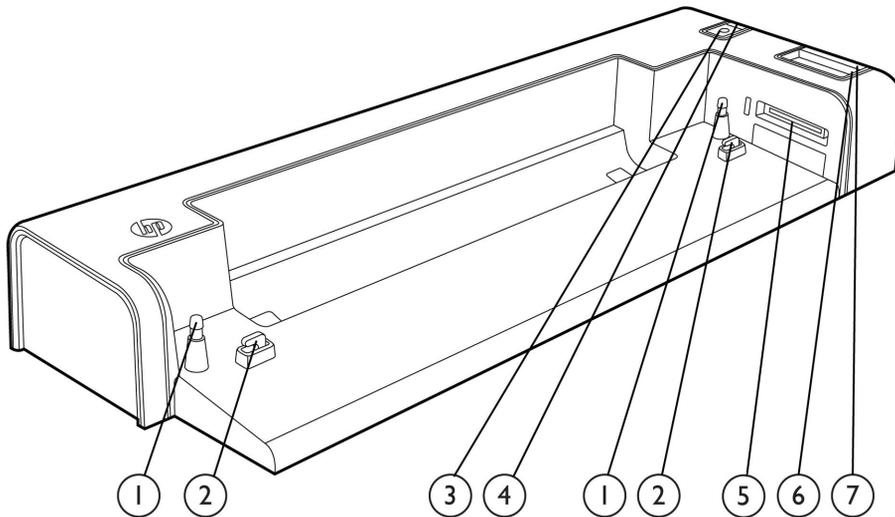
HP is committed to delivering the optimal mobile computing experience by offering industry-leading accessories for every mobile user, whether you are a frequent traveler or rarely leave your desk. Enjoy return on investment from these easy-to-use, easy-to-deploy, and easy-to-manage expansion solutions.

Models

HP 2540 Docking Station
HP Docking Station Cable Lock

VU895AA
AU656AA#XXX

HP 2540 Docking Station Front Components

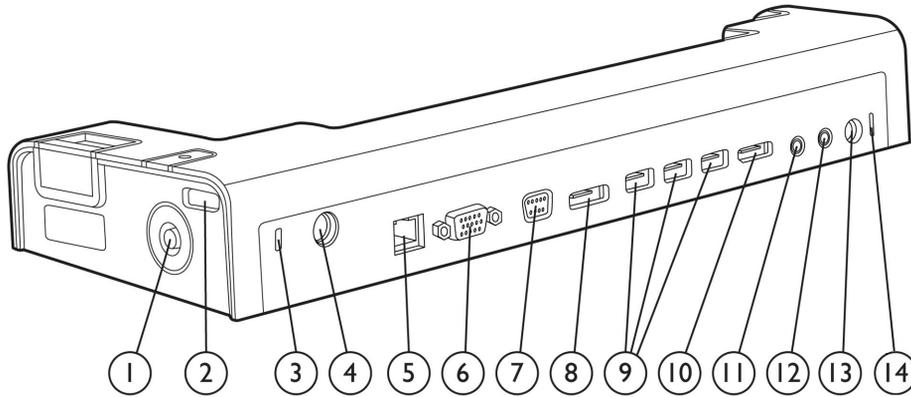


- | | |
|--|----------------------|
| 1. Docking posts | 5. Docking connector |
| 2. Computer connect/release mechanisms | 6. Connect button |
| 3. Power button | 7. Connect light |
| 4. Computer power light | |

HP 2540 Docking Station Rear/Right-Side Components



Overview



- | | |
|--------------------------------|--|
| 1. HP Lock (Lock not included) | 8. eSATA port |
| 2. Powered USB 2.0 port | 9. USB 2.0 ports (3) |
| 3. Security lock slot | 10. DisplayPort |
| 4. HP Lock slot | 11. Line-in jack |
| 5. LAN/Ethernet jack | 12. Line-out jack |
| 6. VGA port | 13. Power connector |
| 7. Monitor stand port | 14. Power in LED (indicates docking station is plugged in) |

Key Benefits

Full port replication and cable management in a space-saving design, the HP 2540 Docking Station is compatible with the HP EliteBook 2540p Notebook PC.

- Easy docking system provides port replication and cable management in one location
- Four USB ports allow you to connect more peripherals to make you more productive
- Features the new HP Lock slot. Help secure your docking station or notebook and docking station against theft with a security cable and HP's simple "one key turn"
- Features new DisplayPort and eSATA ports

Compatible with the HP Adjustable Notebook Stand and HP Monitor Stand to create an optimized desktop computing experience.

AC adapter included

The HP 2540 Docking Station features an energy-efficient 65W Smart AC adapter that guards against power fluctuations with integrated surge protection.



Overview

Standard Features

Front Components

2 docking posts	Align and secure the computer for proper connection to the docking station
2 computer connect/release mechanisms	Connect and release the computer when you press the connect button
Power button	Turns on the power to the computer
Computer power light	Light on: docked computer is turned on Light blinking: docked computer is in standby mode
Docking connector	Connects the computer to the docking station
Connect button	Secures and releases the computer Slide in to secure the computer Slide out to release the computer
Connect light	On: a computer is fully docked

Rear/Right-Side Components

Powered USB port	Allows you to connect to select USB devices
Integrated cable lock slot	Supports the HP Docking Station Cable Lock with a simplified locking mechanism. Gives you two security options: lock the docking station only (which also prevents access to the Station drive bay); or lock both the docking station and your notebook for additional security. Also supports an industry standard notebook lock.
Network connectors	Ethernet ports
USB ports	4 USB 2.0 ports (1 powered)
Audio connectors	Audio in, audio out (does not support mic out)
Other connectors	Monitor Stand, External VGA monitors, DisplayPort, eSATA

Compatibility	The HP 2540 Docking Station is compatible with the HP EliteBook 2540p Notebook PC, and the HP Docking Station Cable Lock.
---------------	---

Service and Support	One-year limited warranty. Additional support is available 24 hours a day, seven days a week by phone as well as online support forms. NOTE: Certain restrictions and exclusions apply. Consult the HP Customer Support Center for details.
---------------------	---



Technical Specifications

Dimensions (H x W x D)	33.655 x 12.065 x 5.08 cm (13.25 x 4.75 x 2.0 in)	
Weight	1.95 lb (0.88 kg)	
Stand-alone power requirements	Normal Operating Voltage	18.5 V
	Average Operating Power	18.5 W
	Max Operating Power	< 65 W
Temperature	Operating	32° to 95° F (0° to 35° C)
	Non-operating	4° to 140° F (-20° to 60° C)
Relative humidity	Operating	10% to 90%, non-condensing
	Non-operating	5% to 95%, 101.6° F (38.7° C) maximum wet bulb temperature
Altitude	Operating	-50 to 10,000 ft (-15.24 to 3,048 m)
	Non-operating	-50 to 40,000 ft (-15.24 to 12,192 m)
Shock	Operating	125 G, 2 ms, half-sine
	Non-operating	200 G, 2 ms, half-sine
Random vibration	Operating	0.75 grms
	Non-operating	1.50 grms
Option Kit Contents	HP 2540 Docking Station, AC power adapter documentation	

© Copyright 2011 Hewlett-Packard Development Company, L.P.

The information contained herein is subject to change without notice.

The only warranties for HP products and services are set forth in the express warranty statements accompanying such products and services. Nothing herein should be construed as constituting an additional warranty. HP shall not be liable for technical or editorial errors or omissions contained herein.

