



# Little Tikes® Discover & Learn Activity Center™

AGES 6-36 MONTHS

ADULT ASSEMBLY AND SUPERVISION REQUIRED.  
ADULT BATTERY INSTALLATION REQUIRED.

635984M

## INTRODUCTION

Watch the train chug around the track with fun sounds and sights to see as baby rocks and explores.

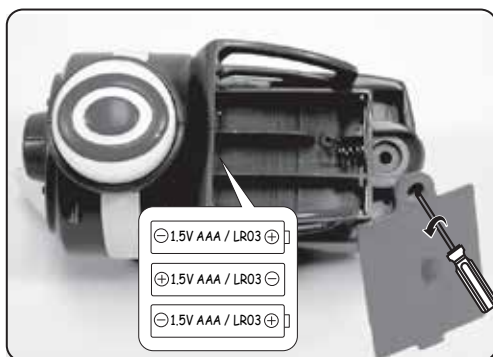


Illustrations are for reference only. Styles may vary from actual contents.

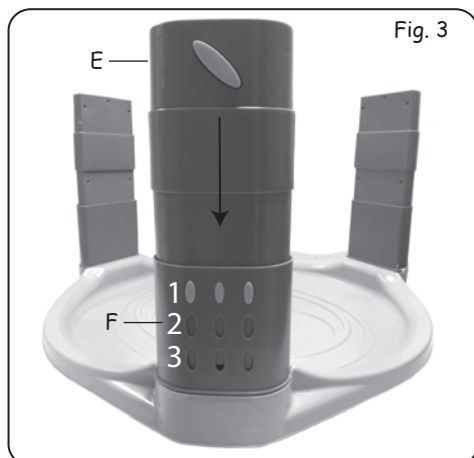
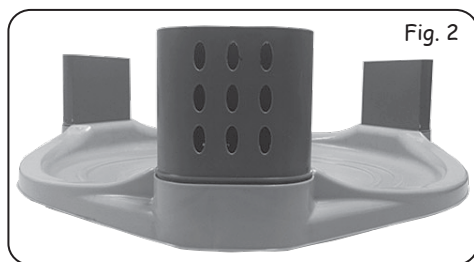
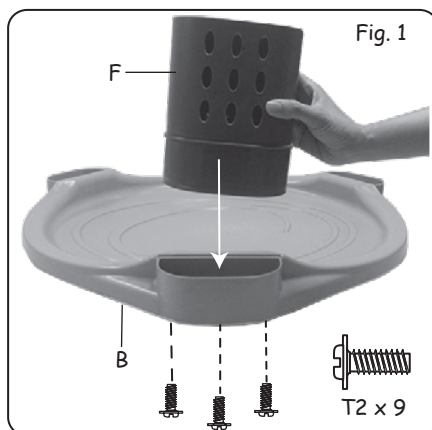
## BATTERY INSTALLATION

Prior to playing, an adult must install fresh alkaline batteries (not included). Here's how:

- Using a Phillips screwdriver (not included) remove the screw and battery compartment cover from the top of the Train Engine.
- Insert three (3) AAA alkaline batteries making sure the (+) and (-) ends face the proper direction as indicated inside the battery compartment.
- Replace the compartment cover and tighten the screw.



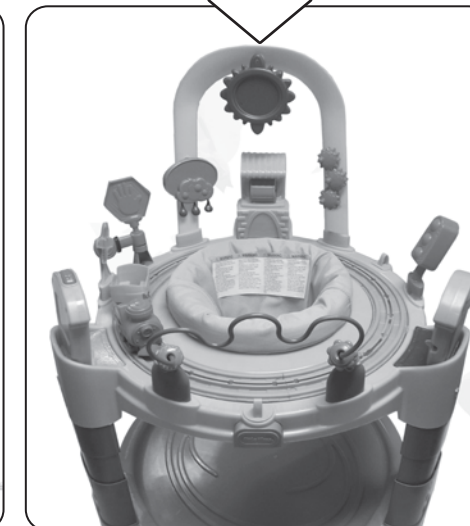
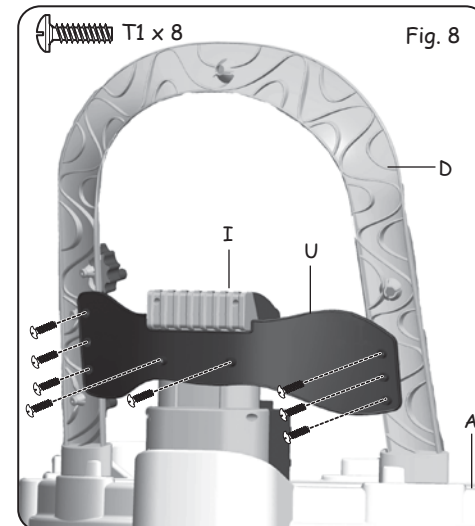
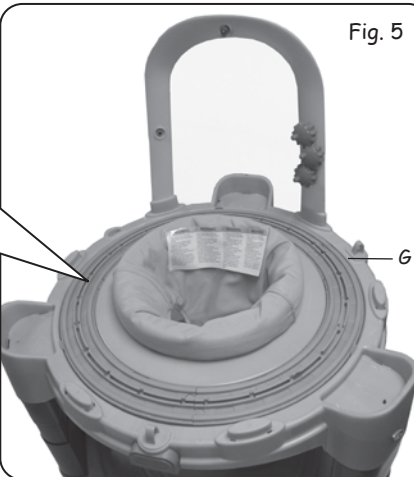
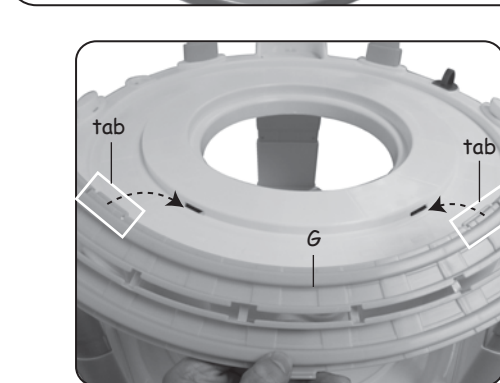
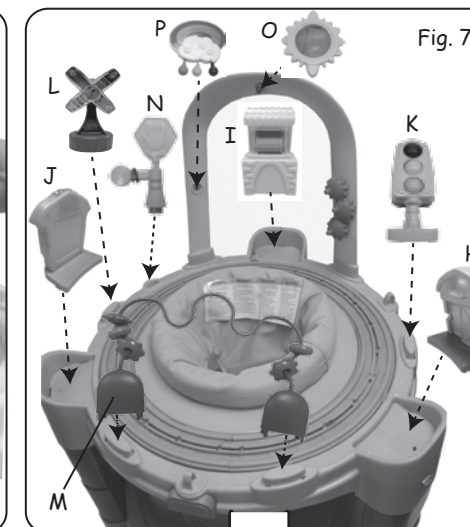
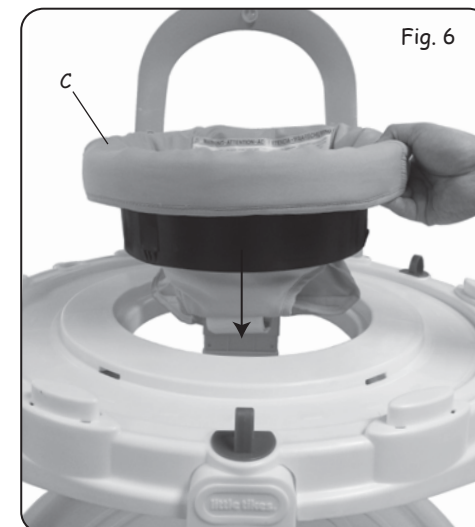
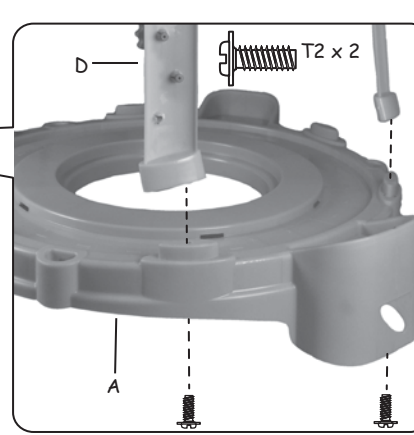
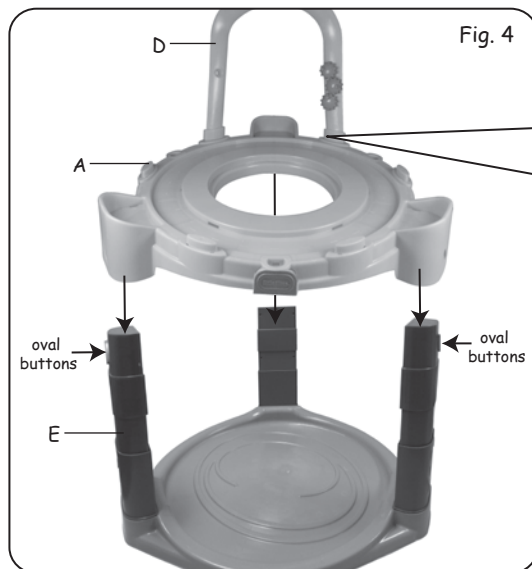
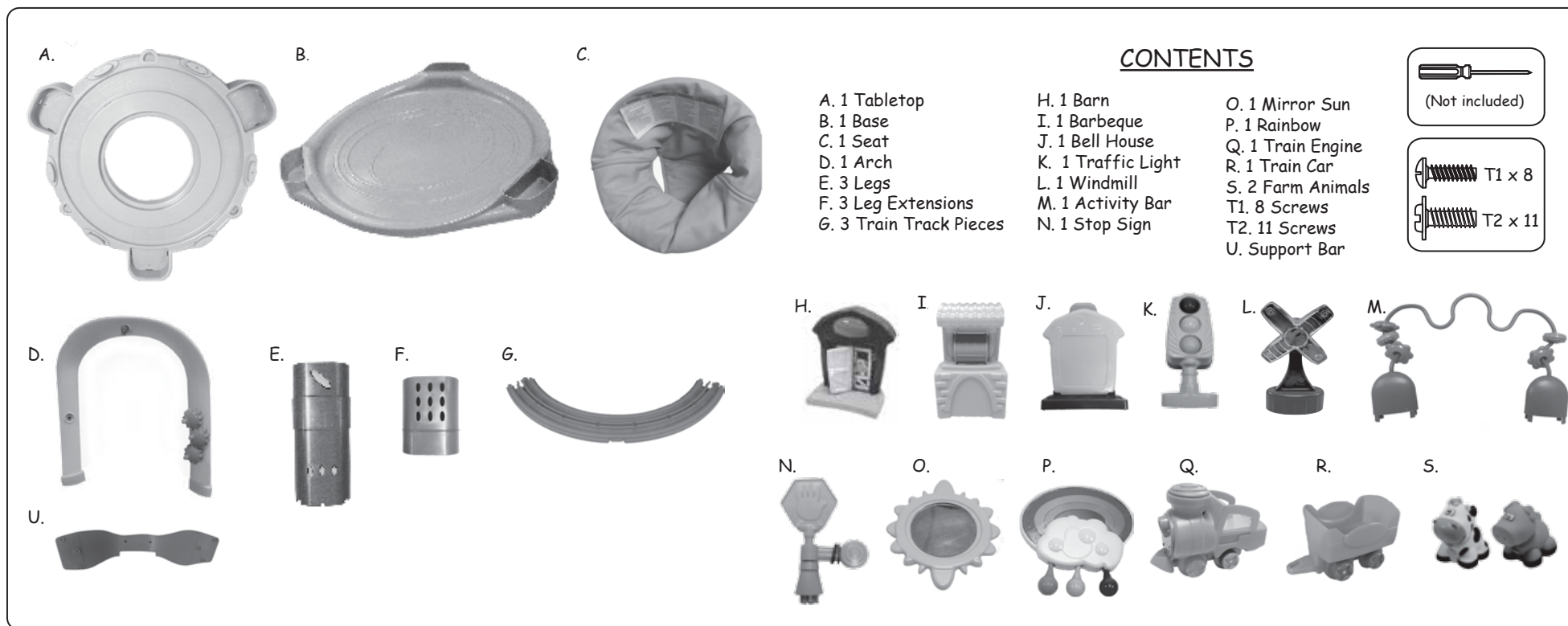
## ASSEMBLY



- Insert the Leg Extensions (F) into the openings on the Base (B) and secure each with 3 screws (T2). (Fig. 1 & 2)
- Firmly press the Legs (E) into the Leg Extensions until the three buttons fit into the top holes. (Fig. 3)

NOTE: There are three positions on the Activity Center for different heights. (Fig. 3) As the child grows, move the Legs to a higher set of openings on the Leg Extensions. ALWAYS remove the child before adjusting to the next height.

- Press the buttons inward, while firmly pressing down on the Legs to adjust the height. Check that the buttons fit securely in the openings prior to use. (Fig. 3)

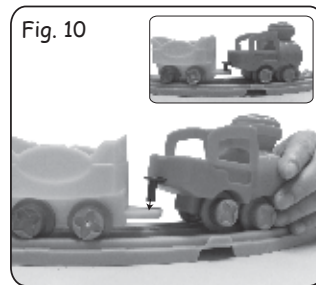
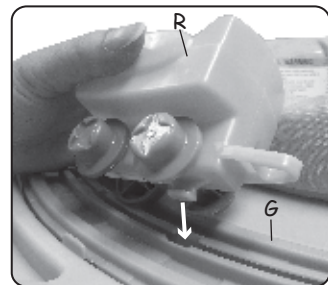
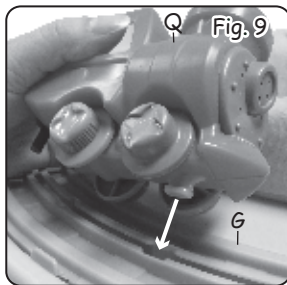


- Place the Arch (D) on the Tabletop (A) and secure with 2 screws (T2). (Fig. 4)  
Place the Tabletop on the Legs and press down firmly until the 3 oval buttons fit securely in the openings. (Fig. 4)
- Connect all 3 Train Tracks (G). Then, snap the tabs into place onto the Tabletop as shown. (Fig. 5)

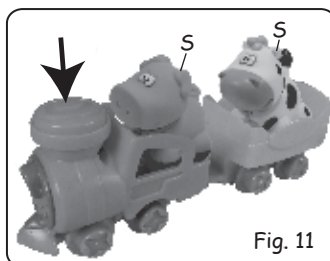
- Insert the Seat (C) into the opening in the center of the Tabletop. (Fig. 6)  
NOTE: When the child's feet touch the base of the unit, it will rock as the child moves or bounces.
- Continue adding accessory pieces around the Tabletop and on the Arch. (Fig. 7)
- Fasten the Support Bar (U) behind the Barbeque (I) and Arch by securing with 8 screws (T1). (Fig. 8)



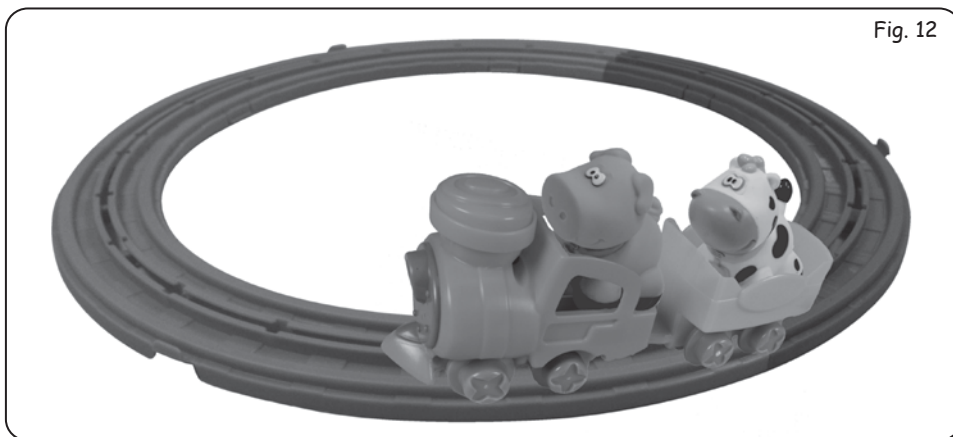
## PLAYING WITH THE TRAIN



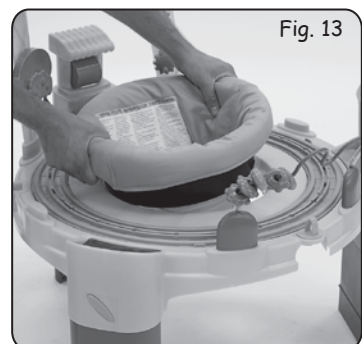
9. Insert the peg on the Train Engine (Q) into the slot on the train track. Repeat for Train Car (R). (Fig. 9)
10. Connect the Train Engine and Train Car by placing the hitch on the Engine through the opening on the Train Car as shown. (Fig. 10)



11. Press the button on top of the Train Engine to make it go. The Train makes fun sounds and plays music as it travels. (Fig. 11) The train will stop moving after 5 seconds. Press the button to make it go again. Connect the Farm Animals (S) to the Train Car and Train Engine to take them for a ride! (Fig. 11)
12. The Train Tracks can be removed from the Activity Center for additional fun! Place the Train Tracks on a flat, level surface, and follow steps 9-11 above. (Fig. 12)

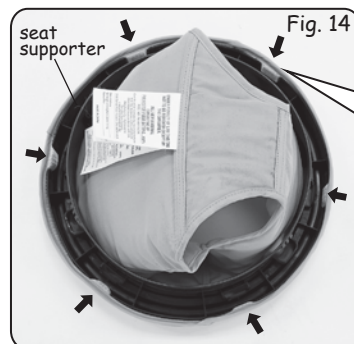


## ATTACHING AND REMOVING SEAT CUSHION



### REMOVING THE SEAT:

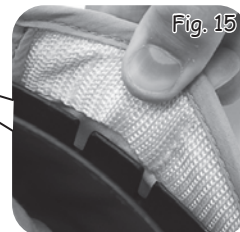
1. Remove the seat from the Activity Center. (Fig. 13)
2. Slide the 6 pockets off of the tabs on the seat supporter. (Fig. 14 & 15)
3. Remove the seat cushion.



### ATTACHING THE SEAT:

1. Place the fabric seat cushion through the circular seat supporter with the tag facing downward.
2. Flip the edge of the seat cushion over the lip of the seat supporter.
3. Slip all 6 pockets over the corresponding tabs around the seat supporter.

NOTE: The warning label inside the seat must be directly under the highest point of the seat supporter.



## SEAT CUSHION WASHING AND DRYING INSTRUCTIONS

- Machine wash separately in cold water with machine set to the delicate cycle.
- Do not use chlorine bleach or hot iron.
- Drip dry ~ do not put in dryer.

## ⚠️ WARNING

### ADULT ASSEMBLY REQUIRED

- Prior to assembly, this package contains small parts: hardware which is a choking hazard and may contain sharp edges and sharp points. Keep away from children until assembled.
- Read all instructions before assembly and use of the Discover & Learn Activity Center™.
- Never leave child unattended. Always keep child in view while in Discover & Learn Activity Center™.
- To avoid tip over, place product on a flat, level surface free of objects.
- Strings can cause strangulation! DO NOT place items with a string around child's neck, such as hood strings or pacifier cords. DO NOT suspend strings over product or attach strings to toys.
- Failure to follow instructions and warnings could result in serious injury or death.
- Discontinue use of this product once child can walk unassisted.
- Do not use the Discover & Learn Activity Center™ if it is damaged or broken.
- Do not use until baby / child can sit up by itself. This Discover & Learn Activity Center™ is only intended for use with children who can sit upright unassisted at approximately 6 months of age.
- Maximum child's weight: 30 lbs. (13.6 kg). Limit 1 child.
- To avoid burns, keep the child away from hot liquids, ranges, radiators, space heaters, fireplaces, etc.
- Never use near stairs, steps, pools, hot surfaces, or areas that maybe hazardous to a child.
- Do not expose the Discover & Learn Activity Center™ to liquid of any kind as moisture may damage the unit. Wipe clean with a damp cloth only. See instructions for washing Seat Cushion.
- Constant, competent adult supervision is required while child is in the unit.
- The train is not intended for use in dirt or on wet surfaces.
- Do not expose Train Engine to liquid of any kind as moisture may damage the unit. Wipe clean with a damp cloth only.

⚠️ **WARNING:** Not to be used by children over 36 months due to size limitations.

⚠️ **WARNING: STRANGULATION HAZARD**  
Never place the Discover & Learn Activity Center™ near windows where cords from blinds or drapes may strangle child.

## LIMITED WARRANTY

The Little Tikes Company makes fun, high quality toys. We warrant to the original purchaser that this product is free of defects in materials or workmanship for one year \* from the date of purchase (dated sales receipt is required for proof of purchase). At the sole election of The Little Tikes Company, the only remedies available under this warranty will be the replacement of the defective part or replacement of the product. This warranty is valid only if the product has been assembled and maintained per the instructions. This warranty does not cover abuse, accident, cosmetic issues such as fading or scratches from normal wear, or any other cause not arising from defects in material and workmanship. \*The warranty period is three (3) months for daycare or commercial purchasers.

U.S.A and Canada: For warranty service or replacement part information, please visit our website at [www.littletikes.com](http://www.littletikes.com), call 1-800-321-0183 or write to: Consumer Service, The Little Tikes Company, 2180 Barlow Road, Hudson OH 44236, U.S.A. Some replacement parts may be available for purchase after warranty expires—contact us for details.

Outside U.S.A and Canada: Contact place of purchase for warranty service. This warranty gives you specific legal rights, and you may also have other rights, which vary from country/state to country/state. Some countries/states do not allow the exclusion or limitation of incidental or consequential damages, so the above limitation or exclusion may not apply to you.

## BATTERY SAFETY INFORMATION

- Charging of rechargeable batteries should only be done under adult supervision. Use only size AAA (LR03) alkaline batteries (3 required).
- Never mix old batteries with new batteries, rechargeable (nickel-cadmium) or carbon zinc with alkaline batteries.
- Be sure to insert the batteries correctly and follow the toy and battery manufacturer's instruction.
- Always remove exhausted or dead batteries from the product.
- Dispose of dead batteries properly: do not burn or bury them.
- Do not attempt to recharge non-rechargeable batteries.
- Remove rechargeable batteries from the product before recharging.
- Charging of rechargeable batteries should only be done under adult supervision with batteries removed from product.
- Avoid short-circuiting battery terminals.
- Remove batteries before placing the unit into storage for a prolonged period of time.

## FCC COMPLIANCE

NOTE: This equipment has been tested and found to comply with the limits for a Class B digital device, pursuant to Part 15 of the FCC Rules. These limits are designed to provide reasonable protection against harmful interference in a residential installation. This equipment generates, uses and can radiate radio frequency energy and, if not installed and used in accordance with the instructions, may cause harmful interference to radio communications. However, there is no guarantee that interference will not occur in a particular installation. If this equipment does cause harmful interference to radio or television reception, which can be determined by turning the equipment off and on, the user is encouraged to try to correct the interference by one or more of the following measures:

- Reorient or relocate the receiving antenna.
- Increase the separation between the equipment and receiver.
- Connect the equipment into an outlet on a circuit different from that to which the receiver is connected.
- Consult the dealer or an experienced radio/TV technician for help.

This device complies with Part 15 of the FCC Rules. Operation is subject to the following two conditions: (1) This device may not cause harmful interference, and (2) this device must accept any interference received, including interference that may cause undesired operation.

Caution: Modifications not authorized by the manufacturer may void users authority to operate this device.

CAN ICES-3 (B)/NMB-3(B).



'Let's care for the environment!'  
The wheelee bin symbol indicates that the product must not be disposed of with other household waste. Please use designated collection points or recycling facilities when disposing of the item. Do not treat old batteries as household waste. Take them to a designated recycling facility.

Please keep this manual as it contains important information.



0614-0-M

© The Little Tikes Company, an MGA Entertainment company. LITTLE TIKES® is a trademark of Little Tikes in the U.S. and other countries. All logos, names, characters, likenesses, images, slogans, and packaging appearance are the property of Little Tikes. Little Tikes Consumer Service  
2180 Barlow Road  
Hudson, Ohio 44236 U.S.A.  
1-800-321-0183  
Printed in China

MGA Entertainment UK Ltd.  
50 Presley Way  
Crownhill  
Milton Keynes  
MK8 0ES  
BUCKS, UK  
0800 521 558



Visit our website at  
[www.littletikes.com](http://www.littletikes.com)  
to register your product  
online!

[www.littletikes.com](http://www.littletikes.com)  
[www.littletikes.co.uk](http://www.littletikes.co.uk)