



# User Manual

## Vigilance 360° Full HD PoE Network Camera

DCS-4622

---

# Preface

D-Link reserves the right to revise this publication and to make changes in the content hereof without obligation to notify any person or organization of such revisions or changes. Information in this document may become obsolete as our services and websites develop and change.

## Manual Revisions

Revision	Date	Description
1.00	09/13/2016	DCS-4622 Revision A1 with firmware version 1.00
1.01	02/24/2017	Minor updates

## Trademarks

D-Link and the D-Link logo are trademarks or registered trademarks of D-Link Corporation or its subsidiaries in the United States or other countries. All other company or product names mentioned herein are trademarks or registered trademarks of their respective companies.

Copyright © 2017 D-Link Corporation.

All rights reserved. This publication may not be reproduced, in whole or in part, without prior expressed written permission from D-Link Corporation.

---

# Table of Contents

<b>Product Overview.....</b>	<b>4</b>	Advanced.....	43
Package Contents.....	4	ICR and IR.....	43
Introduction.....	5	HTTPS.....	44
System Requirements .....	5	Access List.....	45
Features.....	6	SNMP .....	46
Hardware Overview .....	7	Maintenance.....	48
<b>Installation.....</b>	<b>9</b>	Device Management .....	48
Mounting the Camera.....	9	System .....	49
Software Installation.....	12	Firmware Upgrade.....	50
<b>Configuration .....</b>	<b>15</b>	Status .....	51
Using the Configuration Interface.....	15	Device Info .....	51
Live Video .....	17	Logs .....	52
Setup .....	20	Help.....	53
Setup Wizard .....	20	<b>Technical Specifications.....</b>	<b>54</b>
Network Setup.....	25	<b>Regulatory Information .....</b>	<b>57</b>
Dynamic DNS .....	28		
Image Setup .....	29		
Audio and Video.....	31		
Preset.....	32		
Motion Detection .....	33		
Time and Date.....	34		
Event Setup.....	35		
SD Card .....	42		

# Product Overview

## Package Contents



DCS-4622 Vigilance 360° Full HD PoE Network Camera



Mounting Kit



CD-ROM with User Manual and software



Quick Installation Guide



If any of the above items are missing, please contact your reseller.

**Safety Notice:** Installation and servicing should be done by certified technicians so as to conform to all local codes and prevent voiding your warranty.

## Introduction

Congratulations on your purchase of the DCS-4622 Vigilance 360° Full HD PoE Network Camera. The DCS-4622 is a professional surveillance and security solution for small, medium, and large enterprises alike. The DCS-4622 uses a Full HD progressive scan CMOS sensor; the professional sensor results in low noise and high sensitivity capabilities ideal for surveillance applications.

The DCS-4622 is a complete system with a built-in CPU and incorporates a web server, allowing it to transmit excellent real-time Full HD resolution video for security and outdoor surveillance.

The DCS-4622 can be accessed remotely, controlled and configured from any PC/Notebook over your local network or through the Internet via a web browser. The simple installation and intuitive web-based interface offer easy configuration across the full range of its advanced feature set, including granular control over multiple video streams with different configurations and multicast video streams which helps you manage your network load.

The built-in removable IR-cut filter and IR LEDs give the DCS-4622 the capability to view up to 8M at night. The DCS-4622 also incorporates Power over Ethernet (PoE), allowing it to be easily installed in a variety of locations without the need for supplemental power cabling. The combination of an IR-Cut Filter, IR LEDs, and PoE make the DCS-4622 an ideal solution for a dependable and cost-effective 24 hour surveillance solution with easy clutter-free installation.

## System Requirements

- Computer with Microsoft Windows® 10, 8, 7, or Vista® (for CD-ROM Setup Wizard), Mac OS X, or Linux
- Internet Explorer 7, Firefox 20, or Safari 6 or higher
- Existing 10/100 Ethernet-based network with an available 802.3af Power over Ethernet (PoE) port

## Features

### **360 Degree Surveillance**

The built-in fisheye lens gives you a full 360 degrees of coverage, allowing it to monitor an entire room with ease. It can also be placed on a wall for 180 degree coverage of a hallway. Distortion correction gives you a panoramic view or a normal corrected image that you can pan across easily.

### **Supports a Variety of Platforms**

With support for TCP/IP networking, HTTP, and other Internet related protocols, the DCS-4622 can also be integrated easily into other Internet/ Intranet applications because of its standards-based features. The DCS-4622 works with any 10/100 Ethernet network, making the DCS-4622 easy to integrate into your existing network environment.

### **Advanced Event Management**

The DCS-4622 can be set up to send e-mail notifications with snapshots when an event occurs, such as when motion is detected. Events can be triggered from several sources, such as motion detection and time based events.

### **IR LEDs for Day and Night Functionality**

The built-in infrared LEDs enable night time viewing of up to 20 meters.

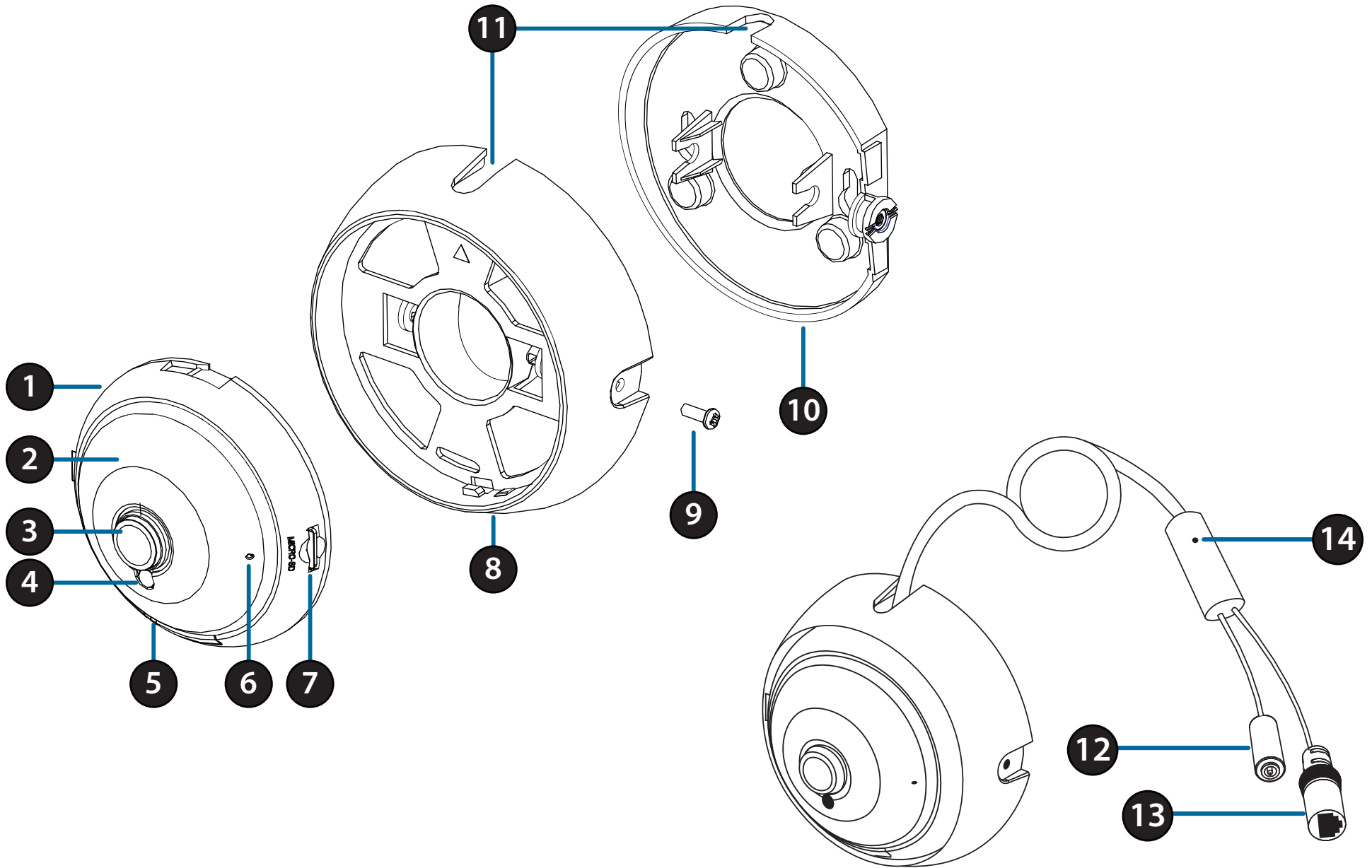
### **PoE (Power over Ethernet) for Flexible Installation**

The DCS-4622 can draw all the power it needs from a PoE switch or PoE injector for a simple and clutter-free installation.

### **Remote Monitoring Utility**

The D-ViewCam application adds enhanced features and functionality for the Network Camera and allows administrators to configure and access the Network Camera from a remote site via Intranet or Internet. Other features include image monitoring, recording images to a hard drive, viewing up to 32 cameras on one screen, and taking snapshots.

# Hardware Overview



## Section 1: Product Overview

1	<b>Speaker (on back)</b>	Onboard speaker for 2-way communication.
2	<b>IR LEDs (behind cover)</b>	Provide illumination for low-light environments.
3	<b>Camera Lens</b>	Fixed lens to record video of the surrounding area.
4	<b>Light Sensor</b>	The light sensor measures the lighting conditions and switches between color and infrared accordingly.
5	<b>Power/Status LED</b>	Red: Camera is on, but not connected to the network Green: Camera is on and is connected to the network Flashing Green: Camera is currently streaming video
6	<b>Microphone</b>	Records audio from the surrounding area.
7	<b>microSD Card Slot</b>	You can insert a microSD card to save snapshots and video to it.
8	<b>Camera Mount</b>	Remove the camera from the camera mount by turning the camera counter-clockwise. Lock the camera in the camera mount by turning the camera clockwise.
9	<b>Tilt Adjustment Screw</b>	Can be loosened to adjust camera angle, or removed when separating the camera cover from the mounting plate.
10	<b>Mounting Plate</b>	Use the holes on the mounting plate to mount the camera to a ceiling or wall.
11	<b>Cable Channels</b>	The camera cable can be passed through the cable channels or the center of the camera mount when mounting it.
12	<b>Power Connector</b>	Connects to an optional 12 V / 1.5 A power adapter (not included).
13	<b>Ethernet Jack</b>	RJ-45 connector for Ethernet to connect the camera to your network.
14	<b>Reset Button</b>	Press and hold for 10 seconds to reset camera back to the factory default settings.

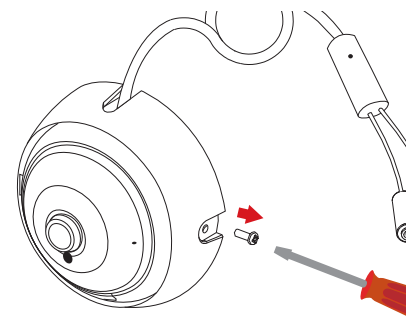


# Installation

## Mounting the Camera

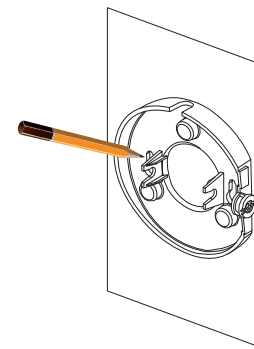
It is highly recommended that you configure and test your camera before mounting it.

Use a screwdriver to unscrew the tilt adjustment screw. Pull the mounting plate away from the camera mount.



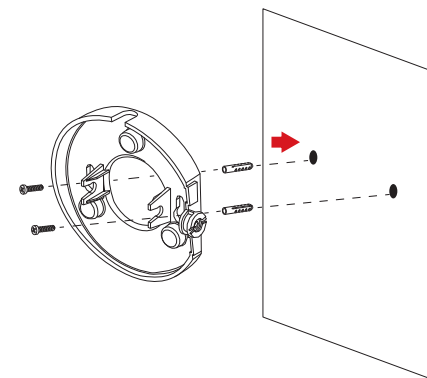
Place the mounting plate where you want to position the camera and use a pencil to mark the two mounting holes.

**If you wish to run the camera cables through the wall or ceiling,** mark the center hole as well.



Use a 6 mm drill bit to make the required holes approximately 25 mm deep, then insert the wall anchors into the holes. Use the screws provided to attach the mounting bracket to the wall.

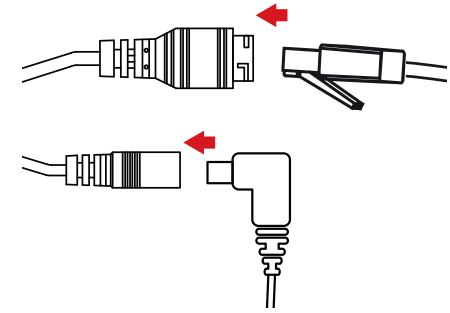
**If you wish to run the camera cables through the wall or ceiling,** drill the center hole for the camera cables to pass through.



## Section 2: Installation

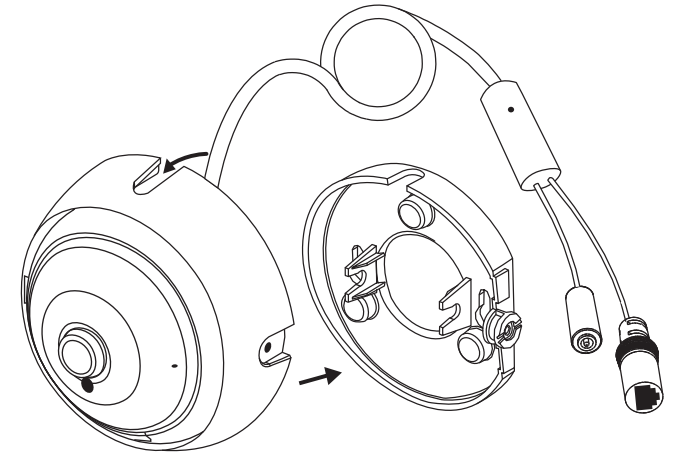
---

Use an Ethernet cable to connect the camera's Ethernet jack to your PoE switch or injector. If you are not using PoE to power the camera, you may connect a 12V 1.5 A power adapter to the power connector.

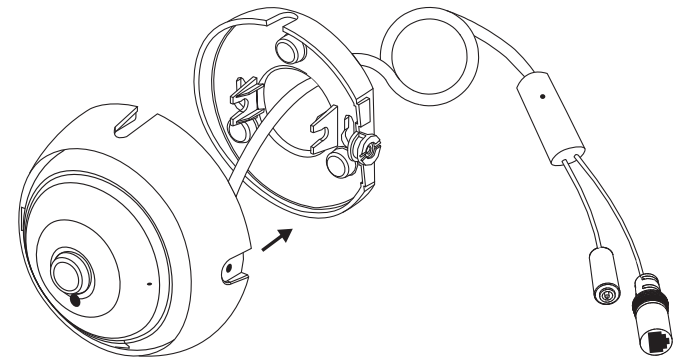


Attach the camera mount to the mounting plate.

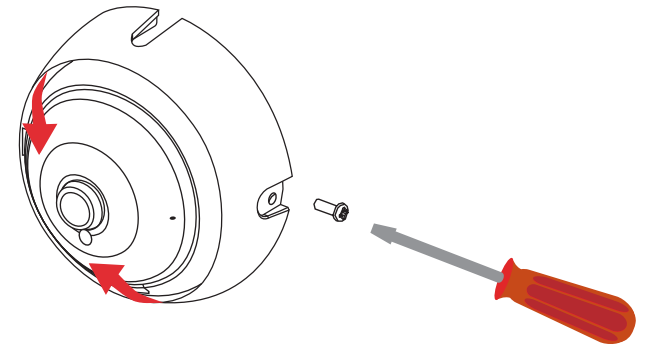
**If you are running the camera cables out the side of the camera,** guide the camera cables through the cable channel on the camera mount.



**If you wish to run the camera cables through the wall or ceiling,** pull the cables through the hole.



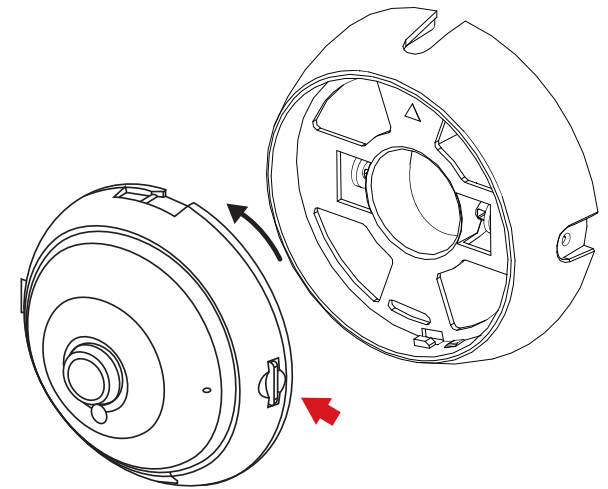
Adjust the angle of the camera, then screw in the tilt adjustment screw until it is snug.



**If you wish to insert a microSD card**, remove the camera from the camera mount by turning the camera counter-clockwise and lifting it away from the camera mount.

Insert the microSD card with the contacts facing you.

Reattach the camera to the camera mount and turn it clockwise to lock it in place.



## Software Installation

### Step 1

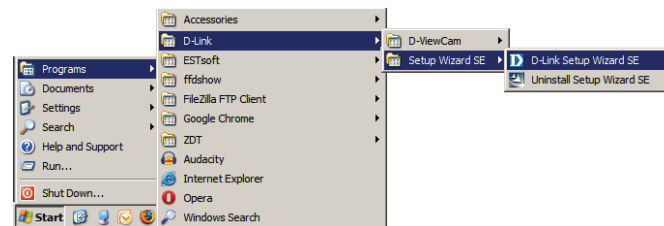
Insert the DCS-4622 CD into your computer's CD-ROM drive to begin the installation.

If the Autorun function on your computer is disabled, or if the D-Link Launcher fails to start automatically, click the Start button and type **D:\autorun.exe** (where D: represents the drive letter of your CD-ROM drive) and press Enter.



### Step 2

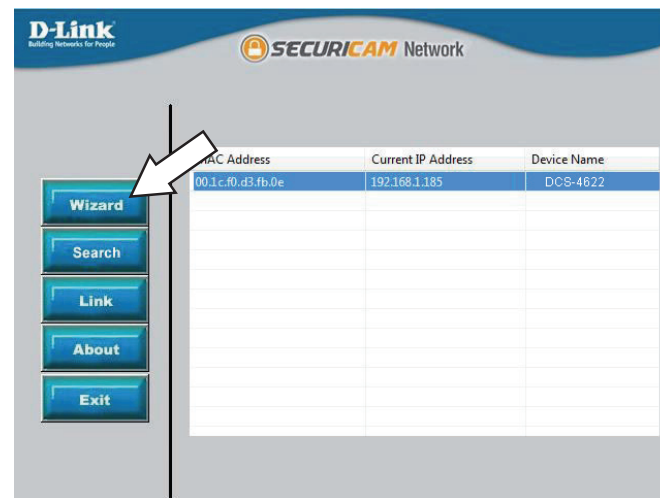
Click on the **D-Link Setup Wizard SE** icon that was created in your Windows Start menu (**Start > D-Link > Setup Wizard SE**).



### Step 3

The Setup Wizard will appear and display the MAC address and IP address of your camera(s). If you have a DHCP server on your network, a valid IP Address will be displayed. If your network does not use a DHCP server, the network camera's default static IP **192.168.0.20** will be displayed.

Select your camera, then click the **Wizard** button to continue.

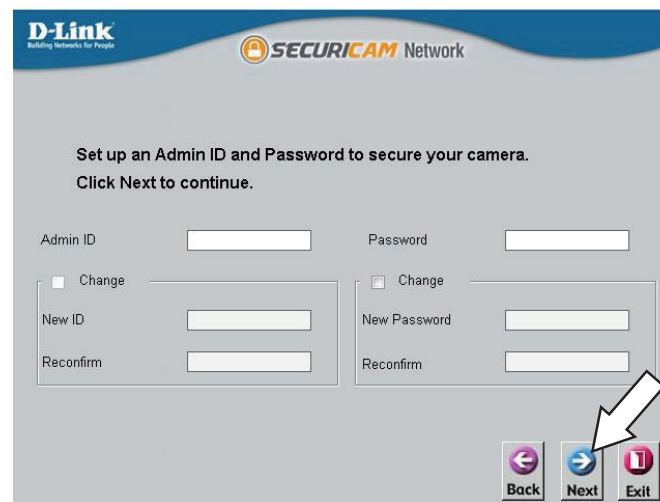


### Step 4

Enter the Admin ID and password. When logging in for the first time, the default Admin ID is **admin** with the password left blank.

Click the checkboxes if you wish to change the admin ID and password for the camera, and enter the new ID and password you wish to use.

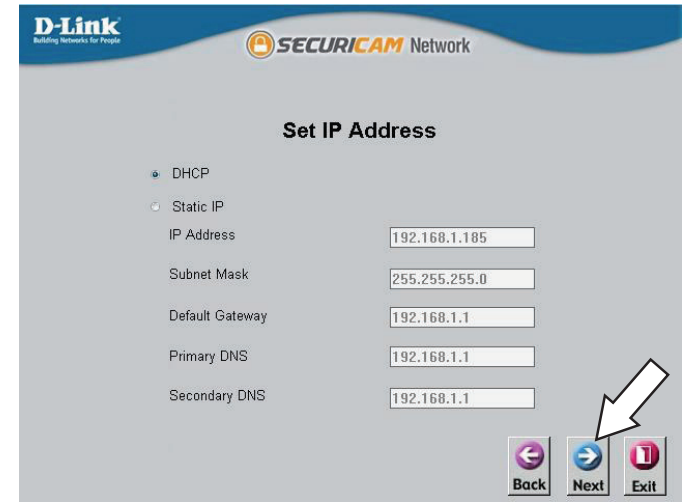
Click **Next** to continue.



### Step 5

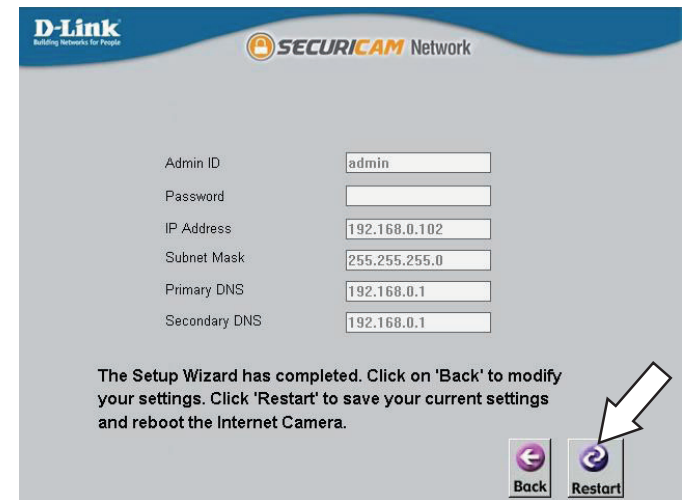
Select **DHCP** if your camera obtains an IP address automatically from a DHCP server such as a router. Select **Static IP** if you want to manually enter the IP settings for the camera.

Click **Next** to continue.



### Step 6

Take a moment to confirm your settings and click **Restart**.



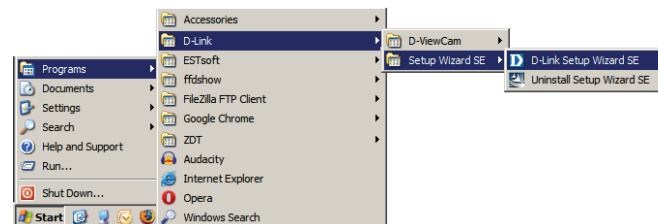
# Configuration

## Using the Configuration Interface

After completing the Camera Installation Wizard, you are ready to use your camera. The camera's built-in Web configuration utility is designed to allow you to easily access and configure your DCS-4622. At the end of the wizard, click **Link**, or enter the IP address of your camera into a web browser, such as Firefox. To log in, use the User name **admin** and the password you created in the Installation Wizard. If you did not create a password, the default password is blank. After entering your password, click **OK**.

### Step 1

Click on the **D-Link Setup Wizard SE** icon that was created in your Windows Start menu (**Start > D-Link > Setup Wizard SE**).



### Step 2

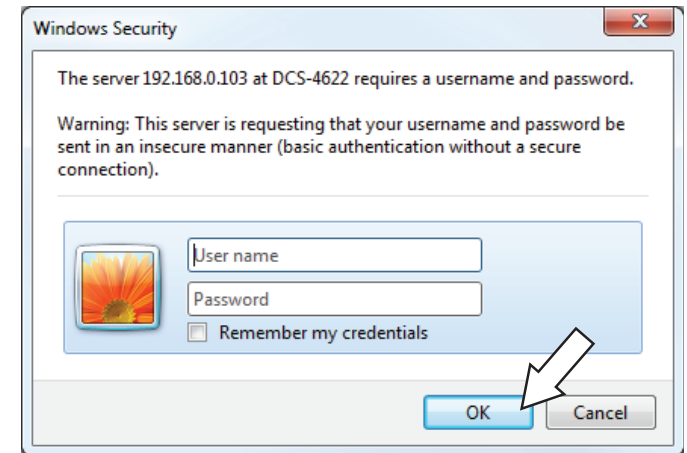
Select the camera and click **Link** to access the web configuration.

The Setup Wizard will automatically open your web browser to the IP address of the camera.



### Step 3

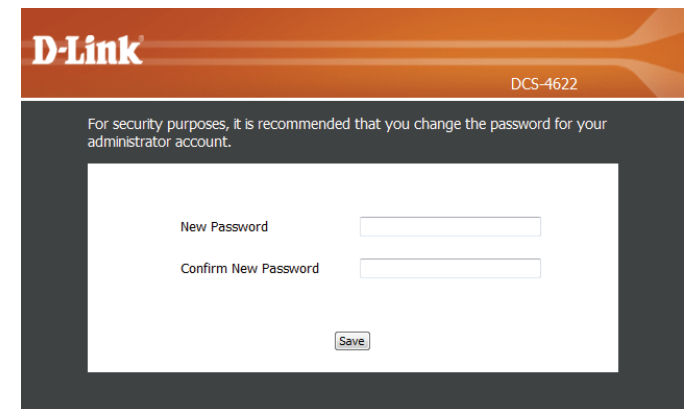
Enter **admin** as the default username and leave the password blank. Click **OK** to continue.



### Step 4

Enter a password to use for your camera, then click the **Save** button.







You will be directed to the Live View page, and you can now start using and configuring your camera.





## Live Video







This section shows your camera's live video. You may select any of the available icons listed below to operate the camera. You may also select your language using the drop-down menu on the left side of the screen.

	<b>Motion Trigger Indicator</b>	This indicator will change color when a trigger event occurs.  <b>Note:</b> The video motion feature for your camera must be enabled.
	<b>Recording Indicator</b>	When a recording is in progress, this indicator will change color.
	<b>Control Pad</b>	This control pad can be used to electronically pan, tilt, and zoom (ePTZ) within the camera's predefined view area, if one has been defined. Click on the arrows to move the view in that direction. Click on the inside buttons to zoom in and out of the image. Click the center to return to the home position.
	<b>Auto Pan</b>	Click this to start automatically panning the currently selected view.
	<b>Stop</b>	Click this to stop any auto pan or preset sequence actions.
	<b>Patrol</b>	After creating a list of preset ePTZ camera positions, click this to automatically cycle through the preset sequence.  Presets only apply to the square viewing windows in Multi-View with Fisheye, Multi-View, and Mixed View display modes.



### Display Modes

Please note that presets only apply to the square viewing panels and are not used with Fisheye View or Panoramic View.

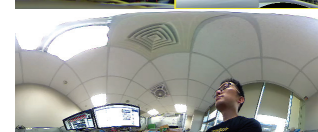
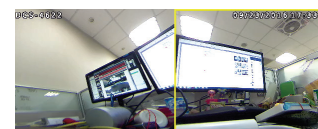
	<b>Fisheye View</b>	This shows the full camera view.
	<b>Normal View</b>	This shows a corrected view that you can move by using the directional controls.  This is the only view that will be available if the camera's <b>Mount Type</b> is set to <b>Wall</b> in <b>Setup &gt; Image Setup</b> . For more details, refer to <b>Image Setup</b> on page 29.
	<b>Multi-View with Panorama</b>	This shows a multi-panel view, with a full panorama in the bottom panel. The top video panels are distortion corrected and their positions can be adjusted by clicking the panels and using the directional controls.
	<b>Panoramic View</b>	This shows a full 360° horizontal view across 2 video panels. You can pan the views left and right by using the directional controls.
	<b>Mixed View</b>	This shows 3 normal corrected views with a full fisheye view in the top-right panel. Each normal view is distortion corrected and their positions can be adjusted by clicking the panel and using the directional controls.
	<b>Multi-View</b>	This shows a multi-panel view. Each panel is distortion corrected and their positions can be adjusted by clicking the panel and using the directional controls.



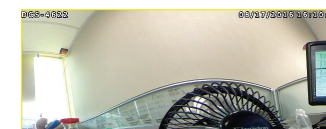
Fisheye View



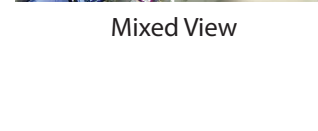
Normal View



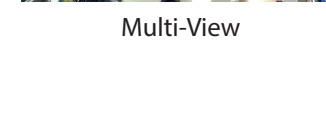
Multi-View with Panorama



Panoramic View



Mixed View











Multi-View

**Pan/Tilt/Zoom/Auto Pan/Sequence Speed** You can set how fast the camera will pan/tilt/zoom/auto pan or move through your preset sequence.

**Home Definition:** Click the **Set as Home** button to set the current position as the camera's home position.

**Language:** You may select the interface language using this menu.

 	<b>Video Profile 1/2</b>	Select a video profile to use. For more on setting up your video profiles, refer to <b>Audio and Video on page 31</b> .
	<b>Full Screen Mode</b>	This will switch to a full-screen view of your camera's video. Double-click or press the Esc key to exit full-screen mode.
	<b>Take a Snapshot</b>	This will save a snapshot to your PC using the storage folder you have selected.
	<b>Record a Video Clip</b>	This will start recording a video clip to your PC using the storage folder you have selected. Click it again to stop recording. If you close the browser window, the recording will stop.
	<b>Set a Storage Folder</b>	Select a storage folder to save snapshots and video clips to.
	<b>Listen/Stop Audio In</b>	Toggles incoming audio from the camera's microphone on and off.
	<b>Talk/Stop Audio Out</b>	Toggles outgoing audio from your PC's microphone to the camera's speaker on and off.

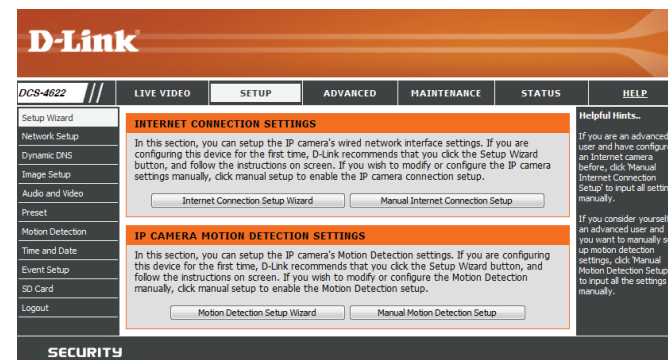
**Go To:** You can move the currently selected view to one of your preset positions by selecting it from the drop-down menu.



# Setup Setup Wizard

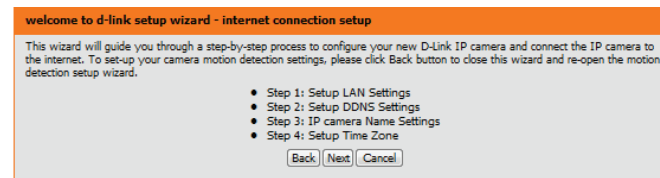
To configure your Network Camera, click **Internet Connection Setup Wizard**. Alternatively, you may click **Manual Internet Connection Setup** to manually configure your Network Camera and skip to **Network Setup** on page 25.

To quickly configure your Network Camera's motion detection settings, click **Motion Detection Setup Wizard**. If you want to enter your settings without running the wizard, click **Manual Motion Detection Setup** and skip to **Motion Detection** on page 33.



## Internet Connection Setup Wizard

This wizard will guide you through a step-by-step process to configure your new D-Link Camera and connect the camera to the Internet. Click **Next** to continue.



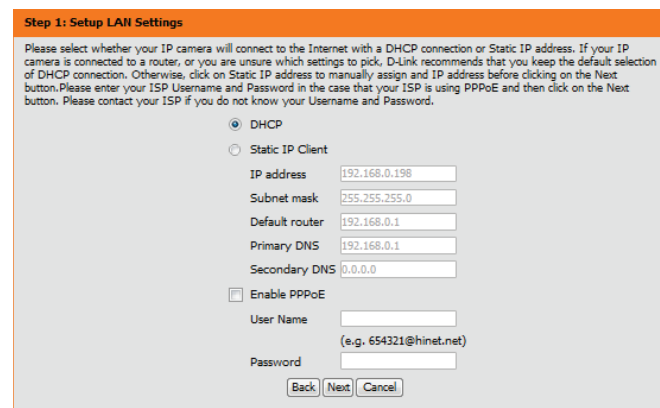
Select how the camera will connect to the Internet.

**If your camera is connected to a router, or you are unsure how your camera will connect to the Internet, select DHCP Connection.**

Select **Static IP** if your Internet Service Provider has provided you with connection settings, or if you wish to set a static address within your home network. Enter the correct configuration information and click **Next** to continue.

If you are using PPPoE, select **Enable PPPoE** and enter your user name and password.

Click **Next** to continue.



## Section 3: Configuration

If you have a Dynamic DNS account and would like the camera to update your IP address automatically, Select **Enable DDNS** and enter your host information. Click **Next** to continue.

**Step 2: Setup DDNS Settings**

If you have a Dynamic DNS account and would like the IP camera to update your IP address automatically, enable DDNS and enter in your host information below. Please click on the Next button to continue.

Enable DDNS

Server Address  <<

Host Name

User Name

Password

Verify Password

Timeout  (hours)

Enter a name for your camera and click **Next** to continue.

**Step 3: IP camera Name Settings**

D-Link recommends that you rename your IP camera for easy accessibility. You can then identify and connect to your IP camera via this name. Please assign a name of your choice before clicking on the Next button.

IP camera Name

Configure the correct time to ensure that all events will be triggered as scheduled. Click **Next** to continue.

**Step 4: Setup Time Zone**

Please configure the correct time to ensure that all events are triggered, captured and scheduled at the correct time and day and then click on the Next button.

Time Zone

Enable Daylight Saving

If you have selected DHCP, you will see a summary of your settings, including the camera's IP address. Please write down all of this information as you will need it in order to access your camera.

Click **Apply** to save your settings.

**Step 5: Setup complete**

Below is a summary of your IP camera settings. Click on the Back button to review or modify settings or click on the Apply button if all settings are correct. It is recommended to note down these settings in order to access your IP camera on the network or via your web browser.

IP Address	DHCP
IP camera Name	DCS
Time Zone	(UTC+08:00) Taipei
DDNS	Disable
PPPoE	Disable

## Motion Detection Setup Wizard

This wizard will guide you through a step-by-step process to configure your camera's motion detection functions.

Click **Next** to continue.

### Step 1

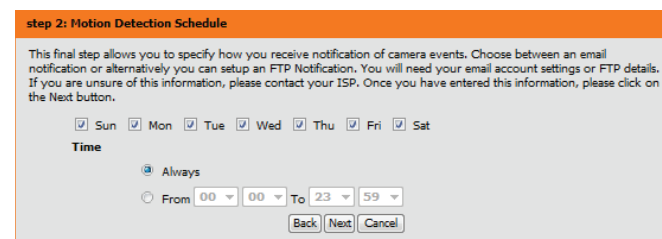
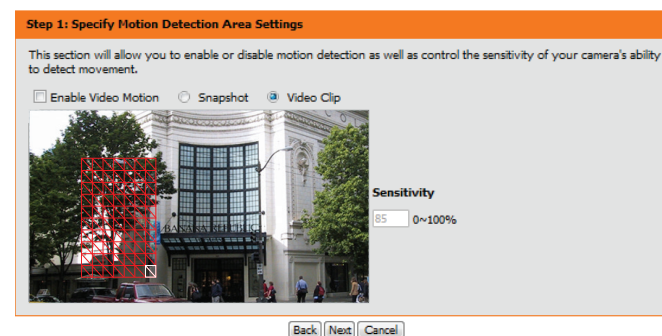
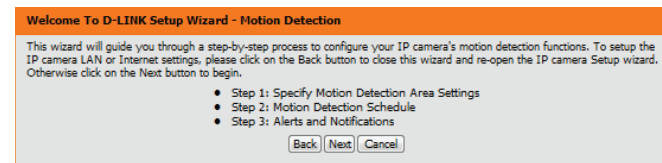
This step will allow you to enable or disable motion detection, specify the detection sensitivity, and adjust the camera's ability to detect movement.

You may specify whether the camera should capture a snapshot or a video clip when motion is detected.

Refer to **Motion Detection** on page 33 for information about how to configure motion detection.

### Step 2

This step allows you to enable motion detection based on a customized schedule. Specify the day and hours. You may also choose to always record whenever motion is detected.





## Section 3: Configuration

### Step 3

This step allows you to specify how you will receive event notifications from your camera. You may choose not to receive notifications, or to receive notifications via e-mail or FTP.

Please enter the relevant information for your e-mail or FTP account.

Click **Next** to continue.

**Step 3: Alerts and Notification**

This final step allows you to specify how you receive notification of camera events. Choose between an email notification or alternatively you can setup an FTP Notification. You will need your email account settings or FTP details. If you are unsure of this information, please contact your ISP. Once you have entered this information, please click on the Next button.

Do not notify me

Email

Sender email address:

Recipient email address:

Server address:

User name:

Password:

Port:

This server requires a secure connection (StartTLS)

FTP

Server address:

Port:

User name:

Password:

Remote folder name:

### Step 4

You have completed the Motion Detection Wizard.

Please verify your settings and click **Apply** to save them.

**Step 4: Setup Complete**

You have completed your IP camera setup. Please click the Back button if you want to review or modify your settings or click on the Apply button to save and apply your settings.

Motion Detection : Disable

EVENT : Video Clip

Schedule Day : Sun , Mon , Tue , Wed , Thu , Fri , Sat ,

Schedule Time : Always

Alerts and Notification : Do not notify me

Please wait a few moments while the camera saves your settings and restarts.

**Step 4: Setup Complete**

You have completed your IP camera setup. Please click the Back button if you want to review or modify your settings or click on the Apply button to save and apply your settings.

Changes saved.IP camera's network is restarting, please wait for 6 seconds ...



# Network Setup

Use this section to configure the network settings for your camera. After making any changes, click the **Save Settings** button to save your changes.

**LAN Settings:** This section lets you configure settings for your local area network.

**DHCP:** Select this connection if you have a DHCP server running on your network and would like your camera to obtain an IP address automatically.

If you choose DHCP, you do not need to fill out the IP address settings.

**Static IP Client:** You may obtain a static or fixed IP address and other network information from your network administrator for your camera.

**IP Address:** Enter the IP address that the camera will use on your network. You may need to get this information from your ISP or network administrator.

**Subnet Mask:** This is used to determine if the destination is part of the same subnet. The default value is 255.255.255.0.

**Default Router:** Enter the IP address of the router used to forward frames to destinations in a different subnet. Invalid router settings may cause the failure of transmissions to a different subnet.

**Primary DNS:** Enter the IP address of the primary domain name server that translates names to IP addresses.

**Secondary DNS:** Enter the IP address of the secondary domain name server to serve as a backup for the Primary DNS.

**Enable UPnP Presentation:** Enabling this setting allows your camera to be configured as a UPnP device on your network.

**Enable UPnP Port Forwarding:** Enabling this setting allows the camera to add port forwarding entries to the router automatically on a UPnP capable network. If you enable this setting, enter the **Forwarding Port** to use.

**Enable PPPoE:** Enable this setting if your network uses PPPoE.

**User Name / Password:** Enter the username and password for your PPPoE account. Re-enter your password in the Confirm Password field. You may obtain this information from your ISP.

**HTTP Port:** The default port number is 80.

**Access Name for Stream 1/2:** The default name is video#.mjpg, where # is the number of the stream.

**HTTPS Port:** You may use a PC with a secure browser to connect to the HTTPS port of the camera. The default port number is 443.

**Authentication:** Choose to enable or disable RTSP digest encryption. Digest encryption uses MD5 hashes.

**RTSP Port:** The port number that you use for RTSP streaming to mobile devices, such as mobile phones or PDAs. The default port number is 554.

**Access Name for Stream 1/2:** You may specify the address of a particular stream. For instance, live1.sdp can be accessed at rtsp://x.x.x.x/video1.sdp where the x.x.x.x represents the IP address of your camera.

**Enable CoS:** Enabling the Class of Service setting implements a best-effort policy to prioritize traffic without making any bandwidth reservations.

**Enable QoS:** Enabling QoS allows you to specify a traffic priority policy to ensure a consistent Quality of Service during busy periods. If the Network Camera is connected to a router that itself implements QoS, the router's settings will override the QoS settings of the camera.

**LAN SETTINGS**

DHCP  
 Static IP Client

IP address: 192.168.0.103  
 Subnet mask: 255.255.255.0  
 Default router: 192.168.0.1  
 Primary DNS: 192.168.0.1  
 Secondary DNS: 0.0.0.0

Enable UPnP presentation  
 Enable UPnP port forwarding

Forwarding Port: 1024 [Test]  
 Forwarding Status: UPnP forwarding is inactive

**PPPOE SETTINGS**

Enable  Disable

User Name:   
 Password:   
 Confirm password:   
 PPPoE Status: PPPoE is inactive.

**HTTP**

HTTP port: 80  
 Access name for stream1: video1.mjpeg  
 Access name for stream2: video2.mjpeg

**HTTPS**

HTTPS port: 443

**RTSP**

Authentication: Digest  
 RTSP port: 554  
 Access name for stream1: live1.sdp  
 Access name for stream2: live2.sdp

**COS SETTINGS**

Enable CoS

VLAN ID: 1 [0~4095]  
 Live video: 0  
 Live audio: 0  
 Event/Alarm: 0  
 Management: 0

**QOS SETTINGS**

Enable QoS

Live video: 0  
 Live audio: 0  
 Event/Alarm: 0  
 Management: 0

**Enable Multicast for stream:** The DCS-4622 allows you to multicast each of the available streams via a group address and specify the TTL value for each stream. Enter the port and TTL settings you wish to use if you do not want to use the defaults.

**Enable Bonjour:** Checking the **Bonjour** box will allow the camera to be discoverable on the network and visible to Apple devices.

**Bonjour Name:** Enter the name to identify this camera on Bonjour.

### MULTICAST

Enable multicast for stream 1

Multicast group address

Multicast video port

Multicast RTCP video port

Multicast audio port

Multicast RTCP audio port

Multicast TTL [1~255]

Enable multicast for stream 2

Multicast group address

Multicast video port

Multicast RTCP video port

Multicast audio port

Multicast RTCP audio port

Multicast TTL [1~255]

### BONJOUR SETTINGS

Enable Bonjour

Bonjour Name  32 characters maximum  
(Characters you may use in a Bonjour Name: "upper or lower case letters", "numbers" and "hyphens".)

## Dynamic DNS

DDNS allows you to access your camera using a domain name instead of an IP address. To do this, you will need to have an account with one of the DDNS services listed in the drop-down box on this page. After making any changes, click the **Save Settings** button to save your changes.

**Enable DDNS:** Check this box to enable the DDNS function.

**Server Address:** Select your Dynamic DNS Server from the drop down menu.

**Host Name:** Enter the host name of the DDNS server.

**User Name:** Enter the username or e-mail address used to connect to the DDNS server.

**Password:** Enter the password used to connect to the DDNS server.

**Timeout:** You can set up how often the camera notifies the DDNS server of its current global IP address by entering a whole number in hours.

**Status:** This shows the current status of your DDNS updates.

The screenshot shows the D-Link web interface for the DCS-4622 camera. The top navigation bar includes 'LIVE VIDEO', 'SETUP', 'ADVANCED', 'MAINTENANCE', 'STATUS', and 'HELP'. The left sidebar lists various setup options like 'Setup Wizard', 'Network Setup', 'Dynamic DNS', 'Image Setup', 'Audio and Video', 'Preset', 'Motion Detection', 'Time and Date', 'Event Setup', 'SD Card', and 'Logout'. The main content area is titled 'DYNAMIC DNS' and contains an introductory paragraph about the feature, a link to sign up for D-Link's Free DDNS service, and two buttons: 'Save Settings' and 'Don't Save Settings'. Below this is the 'DYNAMIC DNS SETTING' section, which includes a checkbox for 'Enable DDNS', a 'Server Address' dropdown menu (currently showing 'www.dlinkddns.com'), and input fields for 'Host Name', 'User Name', 'Password', and 'Verify Password'. There is also a 'Timeout' field set to '24' hours and a 'Status' field set to 'Inactive'. At the bottom of the settings section are 'Save Settings' and 'Don't Save Settings' buttons. A 'SECURITY' section is partially visible at the very bottom.

## Image Setup

In this section, you may configure the video image settings for your camera. A preview of the image will be shown in Live Video.

**Mirror:** This will mirror the image horizontally.

**Flip:** This will flip the image vertically. When turning Flip on, you may want to consider turning Mirror on as well.

**Anti Flicker:** Select the frequency used by your power lines to avoid camera flicker or moving bars in your video. Generally, if your power outlets are 220 to 240 V, you should select **50 Hz**. If your power outlets are 100 to 120 V, you should select **60 Hz**.

**White Balance:** Use the drop-down box to change white balance settings to help balance colors for different environments. You can choose from Auto, Outdoor, Indoor, and Fluorescent.

**Exposure Mode:** Changes the exposure mode. Use the drop-down box to set the camera for Indoor, Outdoor, or Night environments, or to Moving to capture moving objects. The Low Noise option will focus on creating a high-quality picture without noise. You can also create 3 different custom exposure modes. The Max Gain setting will allow you to control the maximum amount of gain to apply to brighten the picture.

**Shutter:** This setting will appear if a custom Exposure Mode is selected. Set the minimum and maximum shutter speed (in seconds) the camera will use. Shorter shutter speeds will provide a sharper picture, but require more available light. Longer shutter speeds will provide a brighter picture in low-light environments, but may blur objects that are in motion.

**Denoise:** This setting controls the amount of noise reduction that will be applied to the picture.

**Brightness:** Adjust this setting to compensate for backlit subjects.

**Contrast:** Adjust this setting to alter the color intensity/strength.

The screenshot shows the D-Link DCS-4622 web interface. The top navigation bar includes 'LIVE VIDEO', 'SETUP', 'ADVANCED', 'MAINTENANCE', 'STATUS', and 'HELP'. The 'SETUP' tab is active, and the 'IMAGE SETUP' sub-tab is selected. A notification states: 'Changes to your IP camera settings are made immediately.' The 'LIVE VIDEO' section shows a camera feed of a person at a desk. The 'IMAGE SETTINGS' panel contains the following controls:

- Mirror:  On  Off
- Flip:  On  Off
- Anti Flicker:  60 Hz  50 Hz
- White Balance: Auto (dropdown)
- Exposure Mode: Custom1 (dropdown) Max Gain: 36 dB
- Shutter: 1/10000 (dropdown)
- Denoise: 1 (dropdown)
- Brightness: 100 (dropdown)
- Contrast: 100 (dropdown)
- Saturation: 100 (dropdown)
- Sharpness: 100 (dropdown)
- Mount type: Desktop (dropdown)
- WDR Level: 0 (dropdown)
- 3D filter:  ON  OFF

A 'Reset Default' button is located at the bottom of the settings panel. On the right side, there is a 'Helpful Hints-' section with the following text:

**Privacy Mask:** Click the attached box to activate this function. Now use your mouse to draw a rectangle covering the area you want hidden. Click the box again to deactivate the function.

**Mirror:** This function horizontally reverses your images 180 degrees.

**Flip:** This function vertically reverses your images 180 degrees.

**Anti Flicker:** This feature will help to offset the interference of the lighting system and avoid the image flicker issue. ONLY use this option when it is necessary.

**White Balance:** White Balance - Is the process of removing unrealistic color casts, so that objects which appear white in person are rendered white in your photo.

**Exposure Mode:** Exposure is the total amount of light allowed to fall on the image sensor during the process of capturing an image. You may choose different scene modes to produce the better images.

**Max Gain:** It can always be enabled automatically. But you have an option - you can change Max Gain either automatically or manually.

**Denoise:** It is the process of removing noise from a signal.

**Brightness:** It is used to compensate for backlight scenes.

**Contrast:** It may help to improve the image under a dull grey sky.

**Saturation:** This setting controls the amount of coloration, from grayscale to fully saturated.

**Sharpness:** Specify a value from 0 to 8 to specify how much sharpening to apply to the image.

**Mount Type:** Set whether your camera is mounted on a **Desktop**, **Wall**, or **Ceiling**. This will allow the camera to adjust and orient the video accordingly and allow the ePTZ controls to work properly. Please note that when **Wall** is selected, you will only be able to use the 180° display mode on the Live Video page.

**WDR Level:** WDR makes it easier to see objects that may appear dark due to strong backlighting conditions during the daytime. Higher WDR levels will make it easier to see objects in shadows.

**3D Filter:** 3D filtering reduces the amount of image noise when viewing a low-light environment. Higher levels of 3D filtering will apply stronger levels of noise reduction.

**Reset Default:** Click this button to reset the image settings to the factory defaults.

The screenshot displays the 'IMAGE SETTINGS' panel with the following configurations:

- Mirror:  On  Off
- Flip:  On  Off
- Anti Flicker:  60 Hz  50 Hz
- White Balance: Auto
- Exposure Mode: Customize1 Max Gain: 36 dB
- Shutter: 1/10000
- Denoise: 1
- Brightness: 100
- Contrast: 100
- Saturation: 100
- Sharpness: 100
- Mount type: Desktop
- WDR Level: 0
- 3D filter:  ON  OFF

A 'Reset Default' button is located at the bottom right of the settings panel.

## Audio and Video

You may configure up to 3 video profiles with different settings for your camera. Hence, you may set up different profiles for your computer and mobile display. After making any changes, click the **Save** button to save your changes.

**Mode:** Set the video codec to be used to H.264 or JPEG.

**Frame size:** Select what frame size to use. Frame size determines the total capture resolution. Larger frame sizes provide more detail, but will require more bandwidth.

**Maximum frame rate:** A higher frame rate provides smoother motion for videos and requires more bandwidth. Lower frame rates will result in stuttering motion and require less bandwidth.

**Video Quality:** You can adjust the quality and bandwidth usage of the camera by selecting a **Constant bit rate** (if H264 is selected) or **Fixed quality** level (if JPEG is selected).

**Constant bit rate:** The bps will affect the bit rate of the video recorded by the camera. Higher bit rates result in higher video quality and use more bandwidth.

**Fixed quality:** Select the image quality level for the camera to try to maintain. High quality levels will result in increased bit rates and use more bandwidth.

**Audio in off:** Selecting this checkbox will mute incoming audio coming from the camera's microphone.

**Audio in gain level:** This setting controls the amount of gain applied to incoming audio to increase its volume.

**Audio out off:** Selecting this checkbox will mute outgoing audio to the camera from your PC's microphone.

**Audio out gain level:** This setting controls the amount of gain applied to outgoing audio to increase its volume.

**D-Link**

DCS-4622 // LIVE VIDEO SETUP ADVANCED MAINTENANCE STATUS HELP

**AUDIO AND VIDEO**

This section allows you to configure the sound and video of your camera. You can configure different settings depending on whether you are viewing content from a PC or a Mobile Phone / PDA.

Save Settings Don't Save Settings

**VIDEO PROFILE 1**

Mode: H264  
 Frame size: 1920x1536  
 Maximum frame rate: 30  
 Video quality: Constant bit rate (4M), Fixed quality (Excellent)

**VIDEO PROFILE 2**

Mode: H264  
 Frame size: 1280x1024  
 Maximum frame rate: 30  
 Video quality: Constant bit rate (2M), Fixed quality (Excellent)

**AUDIO SETTINGS**

Audio in off  
 Audio in gain level: 5  
 Audio out off  
 Audio out volume level: 5

Save

**Helpful Hints.**

Higher frame size, frame rate and bit rate gives better video quality. At the same time, it requires more network bandwidth.

For best viewing results on a mobile phone, we suggest setting the Frame Rate to 5fps and the Bit Rate to 64Kbps.

**Mode:** It can be H.264 or JPEG. In JPEG mode, the video frames are independent; H.264 can use less bandwidth but better image quality.

**Frame Size:** 5 options exist for the sizes of the video display. It is recommended using 640x512 for mobile viewing and 1920x1536 for computer viewing.

**Max frame rate:** The maximum number of frames that is displayed in 1 second. 30fps is the highest video quality for this camera. In general, any frame rate above 15 fps is imperceptible to the human eye.

**Video Quality:** This limits the maximal refresh frame rate, which can be combined with the "Fixed quality" to optimize the bandwidth utilization and video quality. If the User wants to fix the bandwidth utilization regardless of the video quality, choose "Constant bit rate" and select the desired bandwidth.

**Audio Settings:** You can use the option to switch the external microphone on/off or adjust the volume.

**SECURITY**



## Preset

This page allows you to set preset points for the ePTZ function of the camera, which allows you to look around the camera's viewable area by using a zoomed view. Presets allow you to quickly go to and view a specific part of the area your camera is covering, and you can create preset sequences, which will automatically change the camera's view between the different presets according to a defined order and timing you can set.

Presets only apply to the square viewing windows in Multi-View with Fisheye, Multi-View, and Mixed View display modes. For more details, refer to **Live Video** on page 17.

**Video Profile:** This selects which video profile to use.

**Control Pad:** Use these buttons to move to a specific part of the viewing area, which you can then set as a preset. Click on the inside buttons to zoom in and out of the image. Click the center to return to the home position.

**Pan/Tilt/Zoom/Auto Pan Speed** You can set how fast the camera will pan/tilt/zoom and auto pan.

**Input Preset Name:** Enter the name of the preset you want to create, then click the **Add** button to make a new preset. If an existing preset has been selected from the Preset List, you can change its name by typing in a new name, then clicking the **Rename** button.

**Preset List:** Click this drop-down box to see a list of all the presets that have been created. You can select one, then click the **GoTo** button to change the displayed camera view to the preset. Clicking the **Remove** button will delete the currently selected preset.

**Preset Sequence:** This section allows you to create a preset sequence, which automatically moves the camera's view between a set of preset views. To add a preset to the sequence, select it from the drop-down box, then click the **Add** button. You can move the selected preset earlier or later in the sequence by clicking the arrow buttons, and you can remove a preset by selecting it and clicking the trashcan button. You can also set how fast the camera will cycle through the preset sequence by setting the **Sequence Speed**.

The screenshot shows the D-Link DCS-4622 web interface. The top navigation bar includes 'LIVE VIDEO', 'SETUP', 'ADVANCED', 'MAINTENANCE', 'STATUS', and 'HELP'. The 'PRESET CONTROL' section is active, displaying a live video feed of a room. Below the video is a control pad with a central home button and four directional arrows. To the right of the control pad are dropdown menus for 'Pan Speed', 'Tilt Speed', 'Zoom Speed', and 'Auto Pan Speed', each set to '1'. Below these are sections for 'PRESET' and 'PRESET SEQUENCE'. The 'PRESET' section has an 'Input Preset Name' field with 'Add' and 'Rename' buttons, and a 'Preset List' dropdown with 'GoTo' and 'Remove' buttons. The 'PRESET SEQUENCE' section has a 'Sequence Speed' dropdown set to '1', arrow buttons for moving items, a trashcan icon for removal, and an 'Add' button. A 'SECURITY' banner is visible at the bottom of the interface.



## Motion Detection

Motion detection enables the camera to monitor the video feed for movement. Here, you can adjust the sensitivity settings that determine whether motion is detected by the camera or not. After making any changes, click the **Save Settings** button to save your changes.

**Enable Video Motion:** Select this box to enable the motion detection feature of your camera.

**Sensitivity:** Specifies how sensitive motion detection will be from 0% to 100%. A low sensitivity setting means that there must be large changes between two images in order to detect motion, and a high sensitivity setting means that even small changes will cause motion to be detected.

**Draw Motion Area:** Use your mouse to click and drag on the areas that you would like to monitor for motion.

Right click on the camera image to bring up the following menu options:

**Select All:** Draws a motion detection area over the entire screen.

**Clear All:** Clears any motion detection areas that have been drawn.

**Restore:** Restores the previously specified motion detection areas.



## Time and Date

This section allows you to automatically or manually configure, update, and maintain the internal system clock for your camera. After making any changes, click the **Save Settings** button to save your changes.

**Time Zone:** Select your time zone from the drop-down menu.

**Enable Daylight Saving:** If your region uses Daylight Saving time, you can enable it here. Select **Set date and time manually** if you want to manually set the offset and the period of time that the Daylight Saving correction should be used.

**Synchronize with NTP Server:** Network Time Protocol (NTP) will synchronize your camera with an Internet time server. Select an NTP server to use from the drop-down box, then click the << button.

**Set the Date and Time Manually:** If **Synchronize NTP Server** is disabled, you can set the date and time manually. You can also click the **Copy Your Computer's Time Settings** button to automatically copy the date and time of the PC you are using.

**D-Link**

DCS-4622 // LIVE VIDEO SETUP ADVANCED MAINTENANCE STATUS HELP

**TIME AND DATE**  
You can set the current time for the IP camera.  
Save Settings Don't Save Settings

**TIME CONFIGURATION**  
Time Zone: GMT+08:00 Taipei  
 Enable Daylight Saving  
 Auto Daylight Saving  
 Set date and time manually  
 Offset: +02:00  
 Start time: 1 1 Sunday 0 0  
 End time: 1 1 Sunday 0 0

**AUTOMATIC TIME CONFIGURATION**  
 Synchronize with NTP Server  
 NTP Server: ntp1.dlink.com << Select NTP Server

**SET DATE AND TIME MANUALLY**  
 Set date and time manually  
 Year: 2016 Month: 8 Day: 15  
 Hour: 11 Minute: 30 Second: 58  
 Copy Your Computer's Time Settings  
 Save Settings Don't Save Settings

**Helpful Hints...**  
 Good timekeeping is important for accurate logs and scheduled firewall rules.  
**Time Zone:** Select your time zone from the drop-down menu.  
**Enable Daylight Saving:** Select this to enable the daylight saving time.  
**Auto Daylight Saving:** When you select it, the clock is automatically adjusted according to the daylight saving time of the selected time zone.  
**Offset:** Select the time offset, if your location observes daylight saving time.  
**Synchronize with NTP Servers:** With the option selected, the camera will synchronize the time settings with the NTP server over the Internet whenever the camera starts up. If the timeserver cannot be reached, no time settings will be applied.  
**NTP Server:** Network Time Protocol (NTP) synchronizes the IP camera with an Internet time server. Choose the one that is closest to your location.  
**Copy Your Computer's Time Settings:** This will synchronize the time information from your PC.

**SECURITY**

## Event Setup

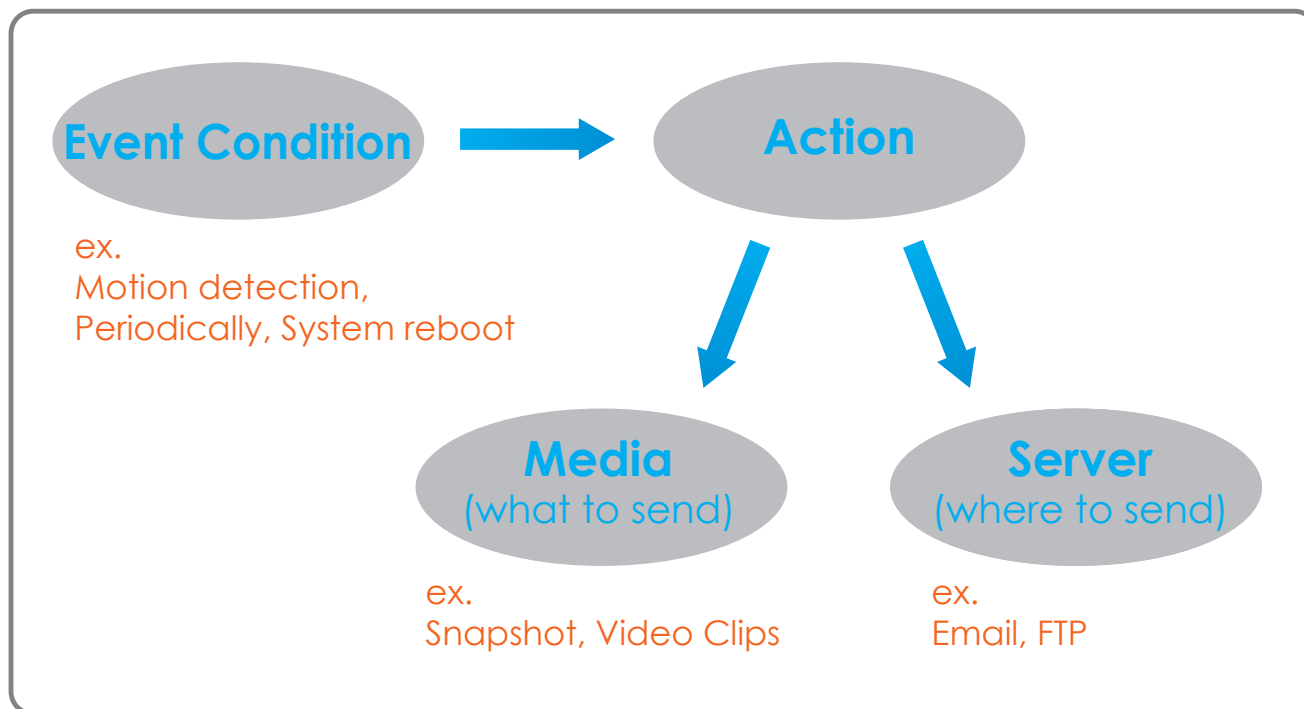
The DCS-4622 has a versatile Event system that lets you configure the camera to perform certain actions when an event occurs. For example, when motion is detected, you can have snapshots sent to an FTP server or e-mail address. You can also configure the camera to take regular video recordings according to a schedule you define.

Before setting up an event, you will need to specify the following:

- **Server:** This is a destination for media to be sent to, such as an e-mail address or FTP server.
- **Media:** This is the media that will be sent, such as snapshots, video clips, or a system log.

You can then set up Events and Recordings:

- **Event:** This is the actual trigger event that the camera is monitoring for, and the action that it will take. Event triggers include motion detection, loss of network connection, system reboot, and other events.
- **Recording:** This lets you set up a schedule for regular video recording.



The Event Setup page includes 4 different sections.

- Server
- Media
- Event
- Recording

1. To add a new server, media, event, or recording item, click **Add**. A screen will appear and allow you to update the fields accordingly.
2. To delete the selected item from the server, media, event, or recording drop-down menus, click the **Delete** button next to it.
3. Click on an item to edit it.

## Add Server

You can configure up to five servers (destinations) to save snapshots and/or video to. After making any changes, click the **Save Settings** button to save your changes.

**Server Name:** Enter the name for the server.

**E-mail:** If you want to use an e-mail address for your server, select this and enter the settings for your target e-mail account.

**FTP:** If you want to use an FTP server for your server, select this and enter the settings for your target FTP server.

**Network Storage:** If you want to use a network storage device for your server, select this and enter its settings here. You can only specify a network storage device for one of your server entries.

**SD Card:** If you want to use an inserted microSD card for your server, select this.

## Add Media

There are three types of media: **Snapshot**, **Video Clip**, and **System Log**. After making any changes, click the **Save Settings** button to save your changes.

**Media Name:** Enter a unique name for media type you want to create.

**Snapshot:** Select this option to set the media type to snapshots.

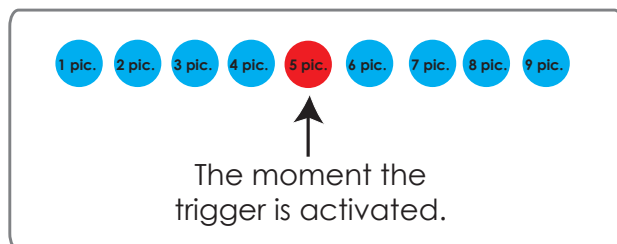
**Source:** Set the video profile to use as the media source. Refer to **Audio and Video on page 31** for more information on video profiles.

**Send pre-event image(s) [0~3]:** Set the number of pre-event images to take. Pre-event images are images taken before the main event snapshot is taken.

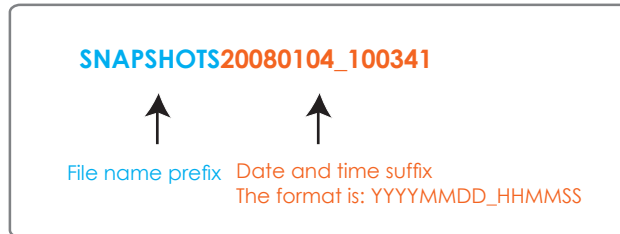
**Send post-event image(s) [0~7]:** Set the number of post-event images to take. Post-event images are images taken after the main event snapshot is taken. You can set up to 7 post-event images to be taken.

For example:

If both the Send pre-event images and Send post-event images are set to four, a total of 9 images are generated after a trigger is activated.



**File name prefix:** The prefix name will be added to the file name.



**Add date and time suffix to file name:** Check this to add the date and time the snapshot was recorded as a file name suffix.

**Video clip:** Select this option to set the media type to video clips.

**Source:** Set the video profile to use as the media source. Refer to **Audio and Video on page 31** for more information on video profiles.

**Pre-event recording:** This sets how many seconds to record before the main event video clip starts. You can record up to 4 seconds of pre-event video.

**Maximum duration:** Set the maximum length of video to record for your video clips.

**Maximum file size:** Set the maximum file size to record for your video clips.

**File Name Prefix:** This is the prefix that will be added to the filename of saved video clips.

**System log:** Select this option to set the media type to system logs. This will save the event to the camera system log, but will not record any snapshots or video.

**MEDIA TYPE**

Media name:

Snapshot

Source: profile 1 ▾

Send  pre-event image(s) [0~4]

Send  post-event image(s) [0~7]

File Name Prefix:

Add date and time suffix to file name

Video Clip

Source: profile 1 ▾

Pre-event recording:  Second(s) [0~3]

Maximum duration:  Second(s) [1~100]

Maximum file size:  Kbytes [300~50000]

File Name Prefix:

System log

## Add Event

Create and schedule up to three events with their own settings here. After making any changes, click the **Save Settings** button to save your changes.

**Event name:** Enter a name for the event.

**Enable this event:** Select this box to activate this event.

**Priority:** Set the priority for this event. The event with higher priority will be executed first.

**Delay:** Specify the delay time before allowing this event to be triggered again. This is used for both motion detection events and digital input triggers.

**Trigger:** Specify the input type that triggers the event.

**Video Motion Detection:** Selecting this will trigger the event when motion is detected during live video monitoring. Make sure you have enabled motion detection and specified what part of the image to monitor for motion. For more details, refer to **Motion Detection** on page 33.

**Periodic:** Selecting this will trigger the event in specified intervals. The trigger interval unit is in minutes.

**System Boot:** Selecting this will trigger an event when the system boots up.

**Network Lost:** Selecting this will trigger an event when the camera's connection to the network is lost.

**Event Schedule:** Specify when you want to monitor for this event. Select which days to monitor for this event, then select **Always** or enter the time interval to monitor for the specified event.

**Action:** Select what you want the camera to do when the event happens. Select the Server to use, then choose the Media you want to save to it. Please note that you need to set up your Server and Media entries first.

## Add Recording

Here you can configure and schedule the recording settings. After making any changes, click the **Save Settings** button to save your changes.

**Recording entry name:** Enter a name for the recording.

**Enable this recording:** Select this to enable the recording function.

**Priority:** Set the priority for this entry. An entry with a higher priority value will be executed first.

**Source:** Select the video profile to use as the recording source.

**Recording schedule:** Use the checkboxes to set which days to record video on. Select **Always** to record for the entire day, or select **From** and select what period of time you want to record using the dropdown boxes.

**Destination:** Select where the recording file will be stored. You should set up a Server entry for a network storage drive first.

**Total cycling recording size:** Please input a HDD volume between 1 MB and 2 TB for recording space. The recording data will replace the oldest record when the total recording size exceeds this value. For example, if each recording file is 6 MB, and the total cyclical recording size is 600 MB, then the camera will record 100 files in the specified location (folder) and then will delete the oldest file and create new file for cyclical recording.

Please note that if the free HDD space is not enough, the recording will stop. Before you set up this option please make sure your HDD has enough space, and it is better to not save other files in the same folder as recording files.

**Size of each file for recording:** If this is selected, files will be separated based on the file size you specify.

The screenshot shows the D-Link DCS-4622 web interface. The top navigation bar includes 'LIVE VIDEO', 'SETUP', 'ADVANCED', 'MAINTENANCE', 'STATUS', and 'HELP'. The 'SETUP' tab is active, and the 'RECORDING' sub-tab is selected. The main content area is divided into three sections: 'RECORDING', 'RECORDING SCHEDULE', and 'RECORDING SETTINGS'. The 'RECORDING' section includes a 'Recording entry name' field (set to 'Office hours'), an 'Enable this recording' checkbox, a 'Priority' dropdown (set to 'normal'), and a 'Source' dropdown (set to 'profile 1'). The 'RECORDING SCHEDULE' section features checkboxes for days of the week (Sun, Mon, Tue, Wed, Thu, Fri, Sat) and a 'Time' section with 'Always' and 'From' options (set to 'From 08:00 To 18:00'). The 'RECORDING SETTINGS' section includes a 'Destination' dropdown, 'Total cycling recording size' (1000 Mbytes), 'Size of each file for recording' (10 Mbytes), 'Time of each file for recording' (10 seconds), and 'File Name Prefix' (test). There are 'Save Settings' and 'Don't Save Settings' buttons at the bottom of the settings section. A 'SECURITY' banner is visible at the bottom of the page. A 'Helpful hints...' sidebar on the right provides additional information about recording options and schedules.



## Section 3: Configuration

---

**Time of each file for recording:** If this is selected, files will be separated based on the maximum length you specify.

**File Name Prefix:** The prefix name will be added to the file name of the recording file(s).

**RECORDING SETTINGS**  
**Destination** SD ▾  
Total cycling recording size: 1000 Mbytes [200~2000000]  
 Size of each file for recording: 10 ▾ Mbytes  
 Time of each file for recording: 10 ▾ seconds  
File Name Prefix: test

## SD Card

Here you may browse and manage the recorded files which are stored on the microSD card. Video is stored in the Video folder, and snapshots are stored in the Picture folder. You can playback video and view snapshots by clicking on the appropriate folder, then clicking on the file you want to view.

**Files Per Page:** Use the drop-down menu to specify how many files to show per page. To change pages, use the drop-down menu on the right.

**Refresh:** Click this to refresh the file and folder information from the microSD card.

**Format SD Card:** Click this icon to automatically format the microSD card and create the Video and Picture folders.

**Deleting Files and Folders:** To delete files and folders, click on the checkbox next to the files or folders you want to delete, then click the OK button.

The screenshot shows the D-Link DCS-4622 web interface. The main content area is titled "SD CARD" and contains the following information:

- SD Card: /
- Files per Page: 10 (dropdown menu)
- Refresh button
- SD Status: Ready
- 1 of 1 (page navigation)

<input type="checkbox"/>	Delete	File	Num of files	Size
<input type="checkbox"/>		Picture	1	
<input type="checkbox"/>		Video	0	

Format SD Card button

Total:15554304KB, Used:2112KB, Free:15552192KB

OK button

**Helpful Hints:**

- Format SD Card:** Click this icon, system will automatically format SD card and create "Picture" & "Video" folders.
- View recorded picture:** If SD stored recorded picture files, enter picture link, and choose which picture file you desire to view. You will view picture via image viewer SW. (ie. Windows Image Viewer)
- Playback recorded video:** If SD stored recorded video files, enter video link, and choose which video file you desire to playback. Windows will guide you to open/download video file (AVI format) so that you can playback file via video decoder SW (ie. Windows Media Player)

# Advanced

## ICR and IR

Here you can configure the ICR and IR settings. The IR (Infrared) Cut-Removable (ICR) filter can be disengaged for increased sensitivity in low light environments.

**Automatic:** The Day/Night mode is set automatically. You can use the **Sensitivity** drop-down box to set when the camera will switch to Night mode. The text box to the right shows what lighting conditions are currently being detected by the camera for reference. You can refresh this status by clicking the **Refresh** button.

**Day Mode:** Day mode enables the IR Cut Filter.

**Night Mode:** Night mode disables the IR Cut Filter.

**Schedule Mode:** Set up the Day/Night mode using a schedule. The camera will enter Day mode at the starting time and return to Night mode at the ending time.

**IR Light Control:** The camera can enable or disable the IR (infrared) light according to your preferences. This setting provides additional controls depending on your specific application.

**Off:** The IR light will always be off.

**On:** The IR light will always be on.

**Sync with ICR:** The IR light will turn on when the ICR filter is disabled (night mode).

**Schedule:** The IR light will turn on or off according to the schedule that you specify below.

**D-Link**

DCS-4622 // LIVE VIDEO SETUP ADVANCED MAINTENANCE STATUS HELP

ICR and IR

**ICR AND IR**

An IR(Infrared) Cut-Removable(ICR) filter can be disengaged from the image path for increased sensitivity in low light environments. The ICR filter will automatically engage depending on the ambient light, allowing the camera to be effective in day/night environments.

1. Select the Day/Night from the radio button. The available options are Automatic, Schedule mode, Day mode and Night mode.
2. The default value is Automatic.

Light Sensor Sensitivity  
Light sensor sensitivity has Low, Medium, and High three different levels. You may get current camera light illumination by clicking Refresh button to set proper level of Light sensor sensitivity. For example, when level sets at high less than 30lux, camera will switch Day & Night mode to Night mode.

IR Light  
The built-in IR light illuminators will be activated automatically or manually so as to supplement the low light situation without additional equipment.

Save Settings Don't Save Settings

**ICR**

Removable IR-Cut filter trigger condition:

Automatic Sensitivity: Medium: <20lux over 30 lux Refresh

Day mode

Night mode

Schedule mode

Day mode(24hr)  
From 00 To 23 | 59

**IR LIGHT**

IR Light Control: Highest

Off

On

Sync. With ICR

Schedule

IR Light Control On(24hr)  
From 00 To 23 | 59

Save Settings Don't Save Settings

**Helpful Hints...**

**Automatic:** The day/Night mode is set automatically. It is normally set in the Day mode and changes to the Night mode in a dark place.

**Day mode:** The Day mode means enable the IR Cut Filter.

**Night mode:** The Night mode means enable the IR Cut Filter.

**Schedule mode:** Set the Day/Night mode using the schedule. Fill in the time so the Day/Night mode is normally set to Day mode and it enters the Day mode at the start time and returns to the Night mode at the end time.

**IR Light Control:** In poor light conditions, open IR Light Control to automatically turn on the light to enable you to take clear picture. The IR Light Control has 4 options: Off, On, Sync. with ICR, and Schedule. Off: This option disable the IR Light Control. On: This option automatically opens the IR Light Control to enable a camera to take clear images in poor light conditions. Sync. with ICR: In this option, the IR Light Control will open automatically and follow the ICR setting. Schedule: In this option, you have to customize the setting to set the time period you want. Please set the Start time and the End time of your chosen schedule.

**SECURITY**

# HTTPS

This page allows you to install and activate an HTTPS certificate for secure access to your camera. After making any changes, click the **Save Settings** button to save your changes.

**Enable HTTPS Secure Connection:** Enable the HTTPS service.

**Create Certificate Method:** Choose the way the certificate should be created. Three options are available:

- Create a self-signed certificate automatically
- Create a self-signed certificate manually
- Create a certificate request and install

**Status:** Displays the status of the certificate.

**Note:** The certificate cannot be removed while HTTPS is still enabled. To remove the certificate, you must first uncheck **Enable HTTPS secure connection**.



## Access List

Here you can set access permissions for users to view your DCS-4622.

**Allow list:** The list of IP addresses that have access rights to the camera.

**Note:** When adding entries to the Allow list, make sure the first entry includes the IP address of the computer or device you are using to access the camera. Otherwise, you may be blocked from accessing the camera after adding the entry to the Allow list.

**Start IP address:** The starting IP address of the IP address range for the devices (such as a computer) that have permission to access the video of the camera.

**End IP address:** The ending IP address of the IP address range for the devices (such as a computer) that have permission to access the video of the camera. Click **Add** to save your changes.

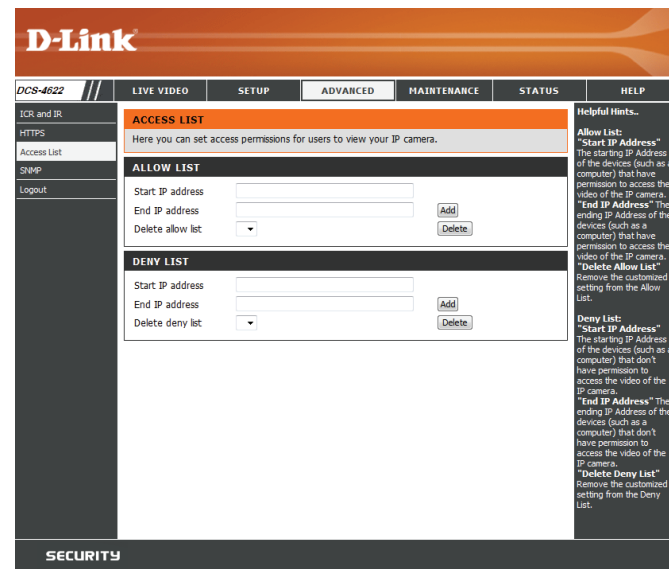
**Note:** A total of seven lists can be configured for both columns.

**Delete allow list:** Select an entry to remove from the Allow List, then click **Delete**.

**Deny list:** The list of IP addresses that have no access rights to the camera.

**Delete deny list:** Select an entry to remove from the Deny List, then click **Delete**.

**Note:** All addresses in the Deny List will be denied access, even if they are also in the Allow List.



# SNMP

Here you can set the SNMP settings for the camera, which allow for SNMP management of the camera.

- Enable SNMPv1, SNMPv2c:** Enable this option to allow for SNMPv1 and SNMPv2c management of the camera.
- Read/Write Community:** Enter a name for the read/write community of your SNMP server.
- Read Only Community:** Enter a name for the read-only community of your SNMP server.
- Enable SNMPv3:** Enable this option to allow SNMPv3 management of the camera.
- Read/Write Security Name:** Enter a name for the read/write community of your read/write SNMP server.
- Authentication Type:** Enter the type of authentication used by your read/write SNMP server.
- Authentication Password:** Enter the authentication password used for your read/write SNMP server.
- Encryption Password:** Enter the encryption password used for your read/write SNMP server.
- Read Only Security Name:** Enter a name for the read-only community of your read-only SNMP server.

**D-Link**

DCS-4622 // LIVE VIDEO SETUP **ADVANCED** MAINTENANCE STATUS HELP

ICR and IR  
HTTPS  
Access List  
SNMP  
Logout

**SNMP**

The Simple Network Management Protocol is an application layer protocol that facilitates the exchange of management information between network devices. It helps network administrators to remotely manage network devices and find, solve network problems with ease.

Save Settings Don't Save Settings

**SNMP CONFIGURATION**

Enable SNMPv1, SNMPv2c

Read/Write community

Read only community

Enable SNMPv3

Read/Write Security name

Authentication type

Authentication password

Encryption password

Read only security name

Authentication type

Authentication password

Encryption password

Save Settings Don't Save Settings

**Helpful Hints...**

Enable SNMPv1, SNMPv2c: Select this option and enter the names of Read/Write community and Read Only community according to your NMS setting.

Enable SNMPv3: This option contains cryptographic security, a higher security level, which allows you to set the Authentication password and the Encryption password. Security names: According to your NMS setting, choose Read/Write or Read Only and enter the community name. Authentication type: Select MDS or SHA as the authentication method. Authentication password: Enter the password for authentication (at least 8 characters). Encryption password: Enter a password for encryption (at least 8 characters).

## Section 3: Configuration

---

**Authentication Type:** Enter the type of authentication used by your read-only SNMP server.

**Authentication Password:** Enter the authentication password used for your read-only SNMP server.

**Encryption Password:** Enter the encryption password used for your read-only SNMP server.

**SNMP CONFIGURATION**  
 Enable SNMPv1, SNMPv2c  
Read/Write community   
Read only community   
 Enable SNMPv3  
Read/Write Security name   
Authentication type   
Authentication password   
Encryption password   
Read only security name   
Authentication type   
Authentication password   
Encryption password

# Maintenance

## Device Management

You may modify the name and administrator's password of your camera, as well as add and manage the user accounts for accessing the camera. You may also use this section to create a unique name and configure the OSD settings for your camera. After making any changes in a section, click the **Save** button in that section.

**Admin Password Setting:** Set a new password for the administrator's account.

**Add User Account:** To add a new user account, fill out the User Name and Password for the new account, then click **Add**.

**User Name:** Enter the user name for the new account.

**Password:** Enter the password for the new account.

**User List:** All the existing user accounts will be displayed here. You select an account and click the **Delete** button to remove it. You may want to reserve at least one as a guest account.

**Device Setting:** Here you can change the name of the camera, enable the OSD, and add a label to show on the OSD.

**IP Camera Name:** Create a unique name for your camera that will be added to the file name prefix when creating a snapshot or a video clip.

**Enable OSD:** Select this option to enable the On-Screen Display feature for your camera.

**Label:** Enter a label for the camera, which will be shown on the OSD when it is enabled.

**LED:** You may specify whether or not to illuminate the status LED on the camera.

**D-Link**

DCS-4622 // LIVE VIDEO SETUP ADVANCED MAINTENANCE STATUS HELP

**ADMIN**

Here you can change the administrator's password for your IP camera as well as add and/or delete user account(s). You can configure the information, such as IP camera's name and time via this page. You can also enable the OSD (On-Screen Display) feature in order to display the IP camera name and time stamp for your video recordings.

**ADMIN PASSWORD SETTING**

New Password  63 characters maximum  
Retype Password

**ADD USER ACCOUNT**

User Name  5 users maximum  
New Password  63 characters maximum  
Retype Password

**USER LIST**

User Name  -- User list --

**DEVICE SETTING**

IP Camera Name DCS-4622 16 characters maximum  
 Enable OSD  
Label DCS-4622 16 characters maximum

**LED**

LED  On  Off

**Helpful Hint...**

Enabling OSD, the IP camera name and time will be displayed on the video screen for the user.

For security purposes, it is recommended that you change the password for your administrator account. Be sure to write down the new password to avoid having to reset the IP camera in the event that it is forgotten.

LEDs: In the rear panel of your camera there is a LED beside the network adapter. ON: The LED will flash in light to indicate if the network is working or not. OFF: No light will show, for this option is turn off.

**SECURITY**



## System

In this section, you may back up, restore and reset the camera configuration, or reboot the camera.

**Save To Local Hard Drive:** You may save your current camera configuration as a file on your computer.

**Load From Local Hard Drive:** Locate a pre-saved configuration by clicking **Browse** and then restore the pre-defined settings to your camera by clicking **Load Configuration**.

**Restore to Factory Defaults:** You may reset your camera and restore the factory settings by clicking **Restore Factory Defaults**.

**Reboot Device:** This will restart your camera.

**Enable Schedule Reboot:** If you want your camera to reboot on a regular schedule, check the **Enable Schedule Reboot** checkbox, then select the days and time you want the camera to reboot on.



## Firmware Upgrade

The camera's current firmware version will be displayed on this screen. You may visit the D-Link Support Website to check for the latest available firmware version.

To upgrade the firmware on your DCS-4622, please download and save the latest firmware version from the D-Link Support Page to your local hard drive. Locate the file on your local hard drive by clicking the **Browse...** button. Select the file and click the **Upload** button to start upgrading the firmware.

**Current Firmware Version:** Displays the detected firmware version.

**Current Product Name:** Displays the camera model name.

**File Path:** Select a firmware file to use on your hard drive by clicking **Browse...**

**Upload:** Uploads the selected firmware to your camera.



# Status

## Device Info

This page displays detailed information about your device and network connection.

The screenshot shows the D-Link web interface for a DCS-4622 device. The top navigation bar includes links for LIVE VIDEO, SETUP, ADVANCED, MAINTENANCE, STATUS (selected), and HELP. The left sidebar contains links for Device Info (selected), Log, and Logout. The main content area is titled 'DEVICE INFO' and contains a message: 'All of your network connection details are displayed on this page. The firmware version is also displayed here.' Below this is an 'INFORMATION' table with the following details:

INFORMATION	
IP Camera Name	DCS-4622
Time & Date	Mon Aug 15 11:54:0 2016
Firmware Version	1.00.00
Hardware Version	A
MAC Address	0C:0C:88:82:00:01
IP Address	192.168.0.103
IP Subnet Mask	255.255.255.0
Default Gateway	192.168.0.1
Primary DNS	192.168.0.1
Secondary DNS	0.0.0.0
PPPoE	Disable
DDNS	Disable
Agent Version	None

On the right side, there is a 'Helpful Hints..' section with the text: 'This page displays all the information about the IP camera and network settings.'

## Logs

This page displays the log information of your camera. You may download the information by clicking **Download**. You may also click **Clear** to delete the saved log information.

**D-Link**

DCS-4622 // LIVE VIDEO SETUP ADVANCED MAINTENANCE STATUS HELP

Device Info  
Log  
Logout

**SYSTEM LOG**  
The system log records IP camera events that have occurred.

**CURRENT LOG**

1. 2016/08/15 11:53:52 Event trigger - motion detection.
2. 2016/08/15 11:53:50 Event recover - motion detection.
3. 2016/08/15 11:53:46 Event trigger - motion detection.
4. 2016/08/15 11:53:46 Event recover - motion detection.
5. 2016/08/15 11:53:41 Event trigger - motion detection.
6. 2016/08/15 11:53:40 Event recover - motion detection.
7. 2016/08/15 11:53:35 Event trigger - motion detection.
8. 2016/08/15 11:53:31 Event recover - motion detection.
9. 2016/08/15 11:53:27 admin login Ok from 192.168.0.174
10. 2016/08/15 11:53:27 Event trigger - motion detection.
11. 2016/08/15 11:53:12 Event recover - motion detection.
12. 2016/08/15 11:52:57 Event trigger - motion detection.
13. 2016/08/15 11:52:54 Event recover - motion detection.
14. 2016/08/15 11:52:50 Event trigger - motion detection.
15. 2016/08/15 11:52:46 Event recover - motion detection.
16. 2016/08/15 11:52:39 Event trigger - motion detection.
17. 2016/08/15 11:52:28 Event recover - motion detection.
18. 2016/08/15 11:52:17 Event trigger - motion detection.
19. 2016/08/15 11:52:14 Event recover - motion detection.
20. 2016/08/15 11:52:09 Event trigger - motion detection.

First Page Previous 20 Next 20  
Clear Download

**Helpful Hints..**  
You can save the log to your local hard IP camera by clicking the Download button, and you can clear the log by clicking on the Clear button.

**SECURITY**

# Help

This page provides helpful information regarding camera operation.

The screenshot shows the D-Link DCS-4622 web interface. At the top, there is a navigation bar with the D-Link logo and a menu with tabs for LIVE VIDEO, SETUP, ADVANCED, MAINTENANCE, STATUS, and HELP. The HELP tab is selected. Below the navigation bar, there is a sidebar on the left with 'Help' and 'Logout' links. The main content area is titled 'HELP' and contains a list of links for each menu item: LIVE VIDEO (Camera), SETUP (Setup Wizard, Network Setup, Dynamic DNS, Image Setup, Audio and Video, Motion Detection, Time and Date, Event Setup, SD Card), ADVANCED (ICR and IR, HTTPS, Access List, SNMP), MAINTENANCE (Admin, System, Firmware Upgrade), and STATUS (Device Info, Log). At the bottom of the page, there is a 'SECURITY' section.

**D-Link**

DCS-4622 // LIVE VIDEO SETUP ADVANCED MAINTENANCE STATUS HELP

Help  
Logout

**HELP**

- LIVE VIDEO
- SETUP
- MAINTENANCE
- ADVANCED
- STATUS

**LIVE VIDEO**

- [Camera](#)

**SETUP**

- [Setup Wizard](#)
- [Network Setup](#)
- [Dynamic DNS](#)
- [Image Setup](#)
- [Audio and Video](#)
- [Motion Detection](#)
- [Time and Date](#)
- [Event Setup](#)
- [SD Card](#)

**ADVANCED**

- [ICR and IR](#)
- [HTTPS](#)
- [Access List](#)
- [SNMP](#)

**MAINTENANCE**

- [Admin](#)
- [System](#)
- [Firmware Upgrade](#)

**STATUS**

- [Device Info](#)
- [Log](#)

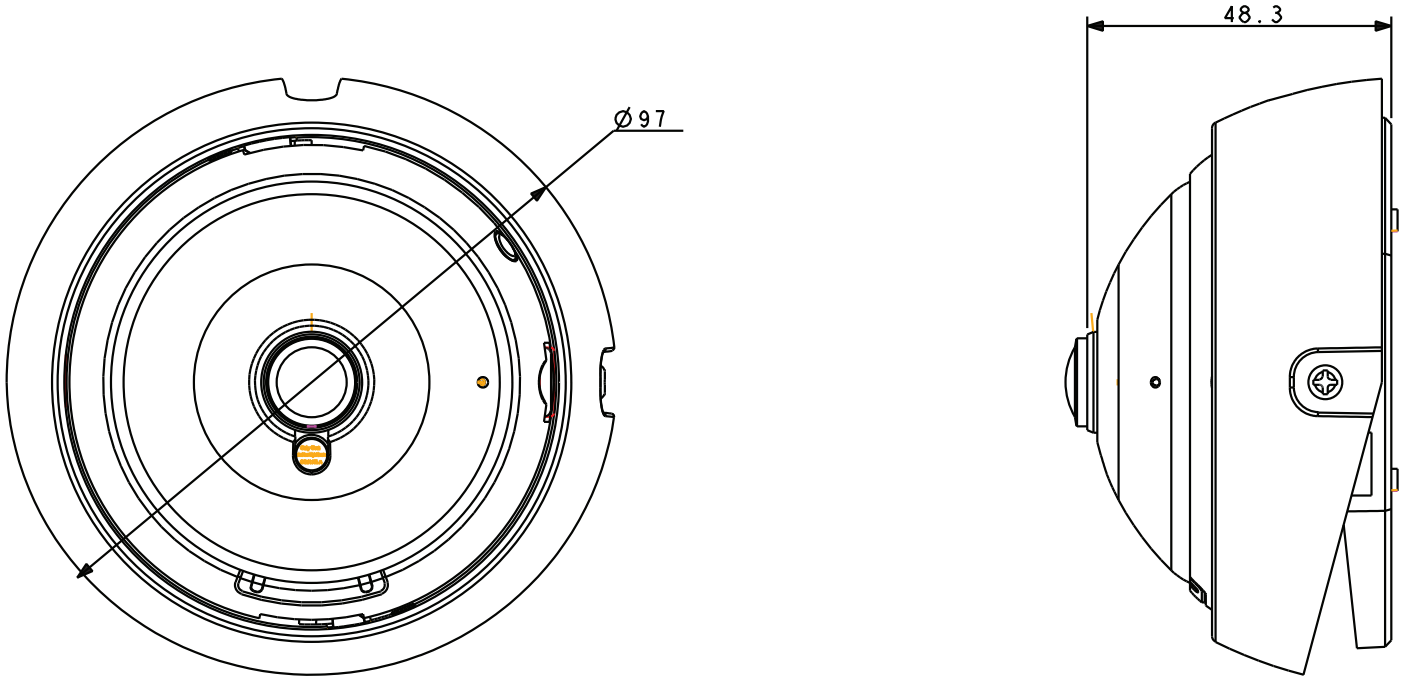
**SECURITY**

# Technical Specifications

Camera	Camera Hardware Profile	<ul style="list-style-type: none"> <li>• 1/3" 3 Megapixel progressive CMOS sensor</li> <li>• Built-in Infrared-Cut Removable (ICR) Filter module</li> <li>• Minimum illumination:               <ul style="list-style-type: none"> <li>• Color (Day Mode): 0.5 lux</li> <li>• B/W (Night Mode), IR LEDs off: 0.25 lux</li> <li>• B/W (Night Mode), IR LEDs on: 0 lux</li> </ul> </li> <li>• 8 meter (25 feet) IR illumination distance</li> <li>• Focal length: 1.1 mm</li> <li>• Minimum object distance 0.3 m</li> </ul>	<ul style="list-style-type: none"> <li>• Aperture: F2.0</li> <li>• 10x digital zoom</li> <li>• Angle of view:               <ul style="list-style-type: none"> <li>• (H) 180°</li> <li>• (V) 180°</li> </ul> </li> <li>• Angle of adjustment:               <ul style="list-style-type: none"> <li>• (V) 15°</li> </ul> </li> <li>• Built-in microphone</li> <li>• Built-in speaker</li> </ul>
	Image Features	<ul style="list-style-type: none"> <li>• Configurable image size, quality, frame rate, and bit rate</li> <li>• Time stamp and text overlays</li> <li>• Configurable motion detection windows</li> <li>• Desktop, wall, and ceiling display modes</li> </ul>	<ul style="list-style-type: none"> <li>• Configurable shutter speed, brightness, saturation, contrast, sharpness, and WDR</li> </ul>
	Video Compression	<ul style="list-style-type: none"> <li>• Simultaneous H.264/MJPEG format compression</li> <li>• H.264/MJPEG multicast streaming</li> </ul>	<ul style="list-style-type: none"> <li>• JPEG for still images</li> </ul>
	Video Resolution	<ul style="list-style-type: none"> <li>• 1920 x 1536, 1440 x 1152, 1280 x 1024, 960 x 768, 640 x 512 up to 25 fps</li> </ul>	
	Audio Codec	<ul style="list-style-type: none"> <li>• G.711</li> </ul>	<ul style="list-style-type: none"> <li>• AAC</li> </ul>
	External Device Interfaces	<ul style="list-style-type: none"> <li>• 10/100 BASE-TX Fast Ethernet port</li> </ul>	<ul style="list-style-type: none"> <li>• Supports 802.3af PoE (Class 2)</li> </ul>
Network	Network Protocols	<ul style="list-style-type: none"> <li>• IPv6</li> <li>• IPv4</li> <li>• ARP</li> <li>• TCP/IP</li> <li>• UDP</li> <li>• ICMP</li> <li>• DHCP client</li> <li>• NTP client (D-Link)</li> <li>• DNS client</li> <li>• DDNS client (D-Link)</li> <li>• SMTP client</li> <li>• FTP client</li> </ul>	<ul style="list-style-type: none"> <li>• HTTP/HTTPS</li> <li>• Samba client</li> <li>• PPPoE</li> <li>• UPnP port forwarding</li> <li>• RTP/RTSP/RTCP</li> <li>• IP filtering</li> <li>• Multicast</li> <li>• CoS</li> <li>• QoS/DSCP</li> <li>• SNMP</li> <li>• ONVIF compliant</li> </ul>
	Security	<ul style="list-style-type: none"> <li>• Administrator and user group protection</li> <li>• Password authentication</li> </ul>	<ul style="list-style-type: none"> <li>• HTTP and RTSP authentication</li> </ul>

## Appendix A: Technical Specifications

System Management	System Requirements for Web Interface	<ul style="list-style-type: none"> <li>• Browser: Internet Explorer, Firefox, Safari</li> </ul>	
	Event Management	<ul style="list-style-type: none"> <li>• Motion detection</li> <li>• Event notification and uploading of snapshots/video clips via e-mail or FTP</li> <li>• Supports multiple SMTP and FTP servers</li> </ul>	<ul style="list-style-type: none"> <li>• Multiple event notifications</li> <li>• Multiple recording methods for easy backup</li> </ul>
	Remote Management	<ul style="list-style-type: none"> <li>• Take snapshots/video clips and save to local hard drive</li> </ul>	<ul style="list-style-type: none"> <li>• Configuration interface accessible via web browser</li> </ul>
	D-ViewCam™ System Requirements	<ul style="list-style-type: none"> <li>• Operating System: Microsoft Windows 10/8/7/Vista</li> <li>• Web Browser: Internet Explorer 7 or higher</li> </ul>	<ul style="list-style-type: none"> <li>• Protocol: Standard TCP/IP</li> </ul>
	D-ViewCam™ Software Functions	<ul style="list-style-type: none"> <li>• Remote management/control of up to 32 cameras</li> <li>• Viewing of up to 32 cameras on one screen</li> </ul>	<ul style="list-style-type: none"> <li>• Supports all management functions provided in web interface</li> <li>• Scheduled motion triggered, or manual recording options</li> </ul>
General	Weight	<ul style="list-style-type: none"> <li>• 188 g ± 5%</li> </ul>	
	External Power Adapter (not included)	<ul style="list-style-type: none"> <li>• Input: 100 to 240 V AC, 50/60 Hz</li> </ul>	<ul style="list-style-type: none"> <li>• Output: 12 V DC 1.5 A</li> </ul>
	Power Consumption	<ul style="list-style-type: none"> <li>• 4.6 watts ± 5%</li> </ul>	
	Temperature	<ul style="list-style-type: none"> <li>• Operating: 0 to 40 °C (32 to 104 °F)</li> </ul>	<ul style="list-style-type: none"> <li>• Storage: -20 to 70 °C (-4 to 158 °F)</li> </ul>
	Humidity	<ul style="list-style-type: none"> <li>• Operating: 20% to 80% non-condensing</li> </ul>	<ul style="list-style-type: none"> <li>• Storage: 5% to 95% non-condensing</li> </ul>
	Certifications	<ul style="list-style-type: none"> <li>• CE</li> <li>• CE LVD</li> </ul>	<ul style="list-style-type: none"> <li>• FCC</li> <li>• C-Tick</li> </ul>

	<p>Dimensions Diagram</p>	 <p>The diagram consists of two views of a circular device. The left view is a top-down perspective showing concentric circles representing the device's structure. A dimension line indicates an outer diameter of <math>\text{Ø } 97</math>. The right view is a side profile showing the device's depth, with a dimension line indicating a length of <math>48.3</math>.</p>
<p>Optional Products</p>	<p>Mounts</p>	<ul style="list-style-type: none"> <li>• DCS-37-1 Wall type mount bracket</li> <li>• DCS-37-2 Ceiling type mount bracket</li> </ul>



# Regulatory Information

## **Federal Communication Commission Interference Statement**

This equipment has been tested and found to comply with the limits for a Class A digital device, pursuant to part 15 of the FCC Rules. These limits are designed to provide reasonable protection against harmful interference when the equipment is operated in a commercial environment. This equipment generates, uses, and can radiate radio frequency energy and, if not installed and used in accordance with the instruction manual, may cause harmful interference to radio communications. Operation of this equipment in a residential area is likely to cause harmful interference in which case the user will be required to correct the interference at his own expense.

## **Non-modification Statement**

Any changes or modifications not expressly approved by the party responsible for compliance could void the user's authority to operate the equipment.

## **Caution**

This device complies with Part 15 of the FCC Rules. Operation is subject to the following two conditions:

(1) This device may not cause harmful interference, and (2) this device must accept any interference received, including interference that may cause undesired operation.

## **CE EMI Class A Warning**

This equipment is compliant with Class A of CISPR 32. In a residential environment this equipment may cause radio interference.

### **SAFETY INSTRUCTIONS**

The following general safety guidelines are provided to help ensure your own personal safety and protect your product from potential damage. Remember to consult the product user instructions for more details.

- Static electricity can be harmful to electronic components. Discharge static electricity from your body (i.e. touching grounded bare metal) before touching the product.
- Do not attempt to service the product and never disassemble the product. For some products with a user replaceable battery, please read and follow the instructions in the user manual.
- Do not spill food or liquid on your product and never push any objects into the openings of your product.
- Do not use this product near water, areas with high humidity, or condensation unless the product is specifically rated for outdoor application.
- Keep the product away from radiators and other heat sources.
- Always unplug the product from mains power before cleaning and use a dry lint free cloth only.

### **SICHERHEITSVORSCHRIFTEN**

Die folgenden allgemeinen Sicherheitsvorschriften dienen als Hilfe zur Gewährleistung Ihrer eigenen Sicherheit und zum Schutz Ihres Produkts. Weitere Details finden Sie in den Benutzeranleitungen zum Produkt.

- Statische Elektrizität kann elektronischen Komponenten schaden. Um Schäden durch statische Aufladung zu vermeiden, leiten Sie elektrostatische Ladungen von Ihrem Körper ab, (z. B. durch Berühren eines geerdeten blanken Metallteils), bevor Sie das Produkt berühren.
- Unterlassen Sie jeden Versuch, das Produkt zu warten, und versuchen Sie nicht, es in seine Bestandteile zu zerlegen. Für einige Produkte mit austauschbaren Akkus lesen Sie bitte das Benutzerhandbuch und befolgen Sie die dort beschriebenen Anleitungen.
- Vermeiden Sie, dass Speisen oder Flüssigkeiten auf Ihr Produkt gelangen, und stecken Sie keine Gegenstände in die Gehäuseschlitze oder -öffnungen Ihres Produkts.
- Verwenden Sie dieses Produkt nicht in unmittelbarer Nähe von Wasser und nicht in Bereichen mit hoher Luftfeuchtigkeit oder Kondensation, es sei denn, es ist speziell zur Nutzung in Außenbereichen vorgesehen und eingestuft.
- Halten Sie das Produkt von Heizkörpern und anderen Quellen fern, die Wärme erzeugen.
- Trennen Sie das Produkt immer von der Stromzufuhr, bevor Sie es reinigen und verwenden Sie dazu ausschließlich ein trockenes fusselfreies Tuch.

### **CONSIGNES DE SÉCURITÉ**

Les consignes générales de sécurité ci-après sont fournies afin d'assurer votre sécurité personnelle et de protéger le produit d'éventuels dommages. Veuillez consulter les consignes d'utilisation du produit pour plus de détails.

- L'électricité statique peut endommager les composants électroniques. Déchargez l'électricité statique de votre corps (en touchant un objet en métal relié à la terre par exemple) avant de toucher le produit.
- N'essayez pas d'intervenir sur le produit et ne le démontez jamais. Pour certains produits contenant une batterie remplaçable par l'utilisateur, veuillez lire et suivre les consignes contenues dans le manuel d'utilisation.
- Ne renversez pas d'aliments ou de liquide sur le produit et n'insérez jamais d'objets dans les orifices.
- N'utilisez pas ce produit à proximité d'un point d'eau, de zones très humides ou de condensation sauf si le produit a été spécifiquement conçu pour une application extérieure.
- Éloignez le produit des radiateurs et autres sources de chaleur.
- Débranchez toujours le produit de l'alimentation avant de le nettoyer et utilisez uniquement un chiffon sec non pelucheux.

### **INSTRUCCIONES DE SEGURIDAD**

Las siguientes directrices de seguridad general se facilitan para ayudarle a garantizar su propia seguridad personal y para proteger el producto frente a posibles daños. No olvide consultar las instrucciones del usuario del producto para obtener más información.

- La electricidad estática puede resultar nociva para los componentes electrónicos. Descargue la electricidad estática de su cuerpo (p. ej., tocando algún metal sin revestimiento conectado a tierra) antes de tocar el producto.
- No intente realizar el mantenimiento del producto ni lo desmonte nunca. Para algunos productos con batería reemplazable por el usuario, lea y siga las instrucciones del manual de usuario.
- No derrame comida o líquidos sobre el producto y nunca deje que caigan objetos en las aberturas del mismo.
- No utilice este producto cerca del agua, en zonas con humedad o condensación elevadas a menos que el producto esté clasificado específicamente para aplicación en exteriores.
- Mantenga el producto alejado de los radiadores y de otras fuentes de calor.
- Desenchufe siempre el producto de la alimentación de red antes de limpiarlo y utilice solo un paño seco sin pelusa.

### **ISTRUZIONI PER LA SICUREZZA**

Le seguenti linee guida sulla sicurezza sono fornite per contribuire a garantire la sicurezza personale degli utenti e a proteggere il prodotto da potenziali danni. Per maggiori dettagli, consultare le istruzioni per l'utente del prodotto.

- L'elettricità statica può essere pericolosa per i componenti elettronici. Scaricare l'elettricità statica dal corpo (ad esempio toccando una parte metallica collegata a terra) prima di toccare il prodotto.
- Non cercare di riparare il prodotto e non smontarlo mai. Per alcuni prodotti dotati di batteria sostituibile dall'utente, leggere e seguire le istruzioni riportate nel manuale dell'utente.
- Non versare cibi o liquidi sul prodotto e non spingere mai alcun oggetto nelle aperture del prodotto.
- Non usare questo prodotto vicino all'acqua, in aree con elevato grado di umidità o soggette a condensa a meno che il prodotto non sia specificatamente approvato per uso in ambienti esterni.
- Tenere il prodotto lontano da caloriferi e altre fonti di calore.
- Scollegare sempre il prodotto dalla presa elettrica prima di pulirlo e usare solo un panno asciutto che non lasci filacce.

### **VEILIGHEIDSINFORMATIE**

De volgende algemene veiligheidsinformatie werd verstrekt om uw eigen persoonlijke veiligheid te waarborgen en uw product te beschermen tegen mogelijke schade. Denk eraan om de gebruikersinstructies van het product te raadplegen voor meer informatie.

- Statische elektriciteit kan schadelijk zijn voor elektronische componenten. Ontlaad de statische elektriciteit van uw lichaam (d.w.z. het aanraken van geaard bloot metaal) voordat u het product aanraakt.
- U mag nooit proberen het product te onderhouden en u mag het product nooit demonteren. Voor sommige producten met door de gebruiker te vervangen batterij, dient u de instructies in de gebruikershandleiding te lezen en te volgen.
- Mors geen voedsel of vloeistof op uw product en u mag nooit voorwerpen in de openingen van uw product duwen.
- Gebruik dit product niet in de buurt van water, gebieden met hoge vochtigheid of condensatie, tenzij het product specifiek geclassificeerd is voor gebruik buitenshuis.
- Houd het product uit de buurt van radiators en andere warmtebronnen.
- U dient het product steeds los te koppelen van de stroom voordat u het reinigt en gebruik uitsluitend een droge pluisvrije doek.

## Disposing and Recycling Your Product

### ENGLISH

EN



This symbol on the product or packaging means that according to local laws and regulations this product should be not be disposed of in household waste but sent for recycling. Please take it to a collection point designated by your local authorities once it has reached the end of its life, some will accept products for free. By recycling the product and its packaging in this manner you help to conserve the environment and protect human health.

### D-Link and the Environment

At D-Link, we understand and are committed to reducing any impact our operations and products may have on the environment. To minimise this impact D-Link designs and builds its products to be as environmentally friendly as possible, by using recyclable, low toxic materials in both products and packaging.

D-Link recommends that you always switch off or unplug your D-Link products when they are not in use. By doing so you will help to save energy and reduce CO2 emissions.

To learn more about our environmentally responsible products and packaging please visit [www.dlinkgreen.com](http://www.dlinkgreen.com).

### DEUTSCH

DE



Dieses Symbol auf dem Produkt oder der Verpackung weist darauf hin, dass dieses Produkt gemäß bestehender örtlicher Gesetze und Vorschriften nicht über den normalen Hausmüll entsorgt werden sollte, sondern einer Wiederverwertung zuzuführen ist. Bringen Sie es bitte zu einer von Ihrer Kommunalbehörde entsprechend amtlich ausgewiesenen Sammelstelle, sobald das Produkt das Ende seiner Nutzungsdauer erreicht hat. Für die Annahme solcher Produkte erheben einige dieser Stellen keine Gebühren. Durch ein auf diese Weise durchgeführtes Recycling des Produkts und seiner Verpackung helfen Sie, die Umwelt zu schonen und die menschliche Gesundheit zu schützen.

### D-Link und die Umwelt

D-Link ist sich den möglichen Auswirkungen seiner Geschäftstätigkeiten und seiner Produkte auf die Umwelt bewusst und fühlt sich verpflichtet, diese entsprechend zu mindern. Zu diesem Zweck entwickelt und stellt D-Link seine Produkte mit dem Ziel größtmöglicher Umweltfreundlichkeit her und verwendet wiederverwertbare, schadstoffarme Materialien bei Produktherstellung und Verpackung.

D-Link empfiehlt, Ihre Produkte von D-Link, wenn nicht in Gebrauch, immer auszuschalten oder vom Netz zu nehmen. Auf diese Weise helfen Sie, Energie zu sparen und CO2-Emissionen zu reduzieren.

Wenn Sie mehr über unsere umweltgerechten Produkte und Verpackungen wissen möchten, finden Sie entsprechende Informationen im Internet unter [www.dlinkgreen.com](http://www.dlinkgreen.com).

## FRANÇAIS

FR



Ce symbole apposé sur le produit ou son emballage signifie que, conformément aux lois et réglementations locales, ce produit ne doit pas être éliminé avec les déchets domestiques mais recyclé. Veuillez le rapporter à un point de collecte prévu à cet effet par les autorités locales; certains accepteront vos produits gratuitement. En recyclant le produit et son emballage de cette manière, vous aidez à préserver l'environnement et à protéger la santé de l'homme.

### D-Link et l'environnement

Chez D-Link, nous sommes conscients de l'impact de nos opérations et produits sur l'environnement et nous engageons à le réduire. Pour limiter cet impact, D-Link conçoit et fabrique ses produits de manière aussi écologique que possible, en utilisant des matériaux recyclables et faiblement toxiques, tant dans ses produits que ses emballages.

D-Link recommande de toujours éteindre ou débrancher vos produits D-Link lorsque vous ne les utilisez pas. Vous réaliserez ainsi des économies d'énergie et réduirez vos émissions de CO2.

Pour en savoir plus sur les produits et emballages respectueux de l'environnement, veuillez consulter le [www.dlinkgreen.com](http://www.dlinkgreen.com).

## ESPAÑOL

ES



Este símbolo en el producto o el embalaje significa que, de acuerdo con la legislación y la normativa local, este producto no se debe desechar en la basura doméstica sino que se debe reciclar. Llévelo a un punto de recogida designado por las autoridades locales una vez que ha llegado al fin de su vida útil; algunos de ellos aceptan recogerlos de forma gratuita. Al reciclar el producto y su embalaje de esta forma, contribuye a preservar el medio ambiente y a proteger la salud de los seres humanos.

### D-Link y el medio ambiente

En D-Link, comprendemos y estamos comprometidos con la reducción del impacto que puedan tener nuestras actividades y nuestros productos en el medio ambiente. Para reducir este impacto, D-Link diseña y fabrica sus productos para que sean lo más ecológicos posible, utilizando materiales reciclables y de baja toxicidad tanto en los productos como en el embalaje.

D-Link recomienda apagar o desenchufar los productos D-Link cuando no se estén utilizando. Al hacerlo, contribuirá a ahorrar energía y a reducir las emisiones de CO2.

Para obtener más información acerca de nuestros productos y embalajes ecológicos, visite el sitio [www.dlinkgreen.com](http://www.dlinkgreen.com).

## ITALIANO

IT



La presenza di questo simbolo sul prodotto o sulla confezione del prodotto indica che, in conformità alle leggi e alle normative locali, questo prodotto non deve essere smaltito nei rifiuti domestici, ma avviato al riciclo. Una volta terminato il ciclo di vita utile, portare il prodotto presso un punto di raccolta indicato dalle autorità locali. Alcuni questi punti di raccolta accettano gratuitamente i prodotti da riciclare. Scegliendo di riciclare il prodotto e il relativo imballaggio, si contribuirà a preservare l'ambiente e a salvaguardare la salute umana.

### D-Link e l'ambiente

D-Link cerca da sempre di ridurre l'impatto ambientale dei propri stabilimenti e dei propri prodotti. Allo scopo di ridurre al minimo tale impatto, D-Link progetta e realizza i propri prodotti in modo che rispettino il più possibile l'ambiente, utilizzando materiali riciclabili a basso tasso di tossicità sia per i prodotti che per gli imballaggi.

D-Link raccomanda di spegnere sempre i prodotti D-Link o di scollegarne la spina quando non vengono utilizzati. In questo modo si contribuirà a risparmiare energia e a ridurre le emissioni di anidride carbonica.

Per ulteriori informazioni sui prodotti e sugli imballaggi D-Link a ridotto impatto ambientale, visitate il sito all'indirizzo [www.dlinkgreen.com](http://www.dlinkgreen.com).

## NEDERLANDS

NL



Dit symbool op het product of de verpakking betekent dat dit product volgens de plaatselijke wetgeving niet mag worden weggegooid met het huishoudelijk afval, maar voor recyclage moeten worden ingeleverd. Zodra het product het einde van de levensduur heeft bereikt, dient u het naar een inzamelpunt te brengen dat hiertoe werd aangeduid door uw plaatselijke autoriteiten, sommige autoriteiten accepteren producten zonder dat u hiervoor dient te betalen. Door het product en de verpakking op deze manier te recyclen helpt u het milieu en de gezondheid van de mens te beschermen.

### D-Link en het milieu

Bij D-Link spannen we ons in om de impact van onze handelingen en producten op het milieu te beperken. Om deze impact te beperken, ontwerpt en bouwt D-Link zijn producten zo milieuvriendelijk mogelijk, door het gebruik van recycleerbare producten met lage toxiciteit in product en verpakking.

D-Link raadt aan om steeds uw D-Link producten uit te schakelen of uit de stekker te halen wanneer u ze niet gebruikt. Door dit te doen bespaart u energie en beperkt u de CO<sub>2</sub>-emissies.

Breng een bezoek aan [www.dlinkgreen.com](http://www.dlinkgreen.com) voor meer informatie over onze milieuverantwoorde producten en verpakkingen.

## POLSKI

PL



Ten symbol umieszczony na produkcie lub opakowaniu oznacza, że zgodnie z miejscowym prawem i lokalnymi przepisami niniejszego produktu nie wolno wyrzucać jak odpady czy śmieci z gospodarstwa domowego, lecz należy go poddać procesowi recyklingu. Po zakończeniu użytkowania produktu, niektóre odpowiednie do tego celu podmioty przyjmą takie produkty nieodpłatnie, dlatego prosimy dostarczyć go do punktu zbiórki wskazanego przez lokalne władze. Poprzez proces recyklingu i dzięki takiemu postępowaniu z produktem oraz jego opakowaniem, pomogą Państwo chronić środowisko naturalne i dbać o ludzkie zdrowie.

### D-Link i środowisko

D-Link podchodzimy w sposób świadomy do ochrony otoczenia oraz jesteśmy zaangażowani w zmniejszanie wpływu naszych działań i produktów na środowisko naturalne. W celu zminimalizowania takiego wpływu firma D-Link konstruuje i wytwarza swoje produkty w taki sposób, aby były one jak najbardziej przyjazne środowisku, stosując do tych celów materiały nadające się do powtórnego wykorzystania, charakteryzujące się małą toksycznością zarówno w przypadku samych produktów jak i opakowań.

Firma D-Link zaleca, aby Państwo zawsze prawidłowo wyłączali z użytku swoje produkty D-Link, gdy nie są one wykorzystywane. Postępując w ten sposób pozwalają Państwo oszczędzać energię i zmniejszać emisje CO<sub>2</sub>.

Aby dowiedzieć się więcej na temat produktów i opakowań mających wpływ na środowisko prosimy zapoznać się ze stroną Internetową [www.dlinkgreen.com](http://www.dlinkgreen.com).

## ČESKY

CZ



Tento symbol na výrobku nebo jeho obalu znamená, že podle místně platných předpisů se výrobek nesmí vyhazovat do komunálního odpadu, ale odeslat k recyklaci. Až výrobek doslouží, odnese jej prosím na sběrné místo určené místními úřady k tomuto účelu. Někteřá sběrná místa přijímají výrobky zdarma. Recyklací výrobku i obalu pomáháte chránit životní prostředí i lidské zdraví.

### D-Link a životní prostředí

Ve společnosti D-Link jsme si vědomi vlivu našich provozů a výrobků na životní prostředí a snažíme se o minimalizaci těchto vlivů. Proto své výrobky navrhujeme a vyrábíme tak, aby byly co nejekologičtější, a ve výrobcích i obalech používáme recyklovatelné a nízkotoxické materiály.

Společnost D-Link doporučuje, abyste své výrobky značky D-Link vypnuli nebo vytáhli ze zásuvky vždy, když je nepoužíváte. Pomůžete tak šetřit energii a snížit emise CO<sub>2</sub>.

Více informací o našich ekologických výrobcích a obalech najdete na adrese [www.dlinkgreen.com](http://www.dlinkgreen.com).



**MAGYAR****HU**

Ez a szimbólum a terméken vagy a csomagoláson azt jelenti, hogy a helyi törvényeknek és szabályoknak megfelelően ez a termék nem semmisíthető meg a háztartási hulladékkal együtt, hanem újrahasznosításra kell küldeni. Kérjük, hogy a termék élettartamának elteltét követően vigye azt a helyi hatóság által kijelölt gyűjtőhelyre. A termékek egyes helyeken ingyen elhelyezhetők. A termék és a csomagolás újrahasznosításával segíti védeni a környezetet és az emberek egészségét.

**A D-Link és a környezet**

A D-Linknél megértjük és elköteleztük magunkat a műveleteink és termékeink környezetre gyakorolt hatásainak csökkentésére. Az ezen hatás csökkentése érdekében a D-Link a lehető leginkább környezetbarát termékeket tervez és gyárt azáltal, hogy újrahasznosítható, alacsony károsanyag-tartalmú termékeket gyárt és csomagolásokat alkalmaz.

A D-Link azt javasolja, hogy mindig kapcsolja ki vagy húzza ki a D-Link termékeket a tápforrásból, ha nem használja azokat. Ezzel segít az energia megtakarításában és a széndioxid kibocsátásának csökkentésében.

Környezetbarát termékeinkről és csomagolásainkról további információkat a [www.dlinkgreen.com](http://www.dlinkgreen.com) weboldalon tudhat meg.

**NORSK****NO**

Dette symbolet på produktet eller forpakningen betyr at dette produktet ifølge lokale lover og forskrifter ikke skal kastes sammen med husholdningsavfall, men leveres inn til gjenvinning. Vennligst ta det til et innsamlingssted anvist av lokale myndigheter når det er kommet til slutten av levetiden. Noen steder aksepteres produkter uten avgift. Ved på denne måten å gjenvinne produktet og forpakningen hjelper du å verne miljøet og beskytte folks helse.

**D-Link og miljøet**

Hos D-Link forstår vi oss på og er forpliktet til å minske innvirkningen som vår drift og våre produkter kan ha på miljøet. For å minimalisere denne innvirkningen designer og lager D-Link produkter som er så miljøvennlig som mulig, ved å bruke resirkulerbare, lav-toksiske materialer både i produktene og forpakningen.

D-Link anbefaler at du alltid slår av eller frakobler D-Link-produkter når de ikke er i bruk. Ved å gjøre dette hjelper du å spare energi og å redusere CO<sub>2</sub>-utslipp.

For mer informasjon angående våre miljøansvarlige produkter og forpakninger kan du gå til [www.dlinkgreen.com](http://www.dlinkgreen.com).

## DANSK

DK



Dette symbol på produktet eller emballagen betyder, at dette produkt i henhold til lokale love og regler ikke må bortskaffes som husholdningsaffald, mens skal sendes til genbrug. Indlever produktet til et indsamlingssted som angivet af de lokale myndigheder, når det er nået til slutningen af dets levetid. I nogle tilfælde vil produktet blive modtaget gratis. Ved at indlevere produktet og dets emballage til genbrug på denne måde bidrager du til at beskytte miljøet og den menneskelige sundhed.

### D-Link og miljøet

Hos D-Link forstår vi og bestræber os på at reducere enhver indvirkning, som vores aktiviteter og produkter kan have på miljøet. For at minimere denne indvirkning designer og producerer D-Link sine produkter, så de er så miljøvenlige som muligt, ved at bruge genanvendelige materialer med lavt giftighedsniveau i både produkter og emballage.

D-Link anbefaler, at du altid slukker eller frakobler dine D-Link-produkter, når de ikke er i brug. Ved at gøre det bidrager du til at spare energi og reducere CO<sub>2</sub>-udledningerne.

Du kan finde flere oplysninger om vores miljømæssigt ansvarlige produkter og emballage på [www.dlinkgreen.com](http://www.dlinkgreen.com).

## SUOMI

FI



Tämä symboli tuotteen pakkauksessa tarkoittaa, että paikallisten lakien ja säännösten mukaisesti tätä tuotetta ei pidä hävittää yleisen kotitalousjätteen seassa vaan se tulee toimittaa kierrätettäväksi. Kun tuote on elinkaarensa päässä, toimita se lähimpään viranomaisten hyväksymään kierrätyspisteeseen. Kierrättämällä käytetyn tuotteen ja sen pakkauksen autat tukemaan sekä ympäristön että ihmisten terveyttä ja hyvinvointia.

### D-Link ja ympäristö

D-Link ymmärtää ympäristönsuojelun tärkeyden ja on sitoutunut vähentämään tuotteistaan ja niiden valmistuksesta ympäristölle mahdollisesti aiheutuvia haittavaikutuksia. Nämä negatiiviset vaikutukset minimoidakseen D-Link suunnittelee ja valmistaa tuotteensa mahdollisimman ympäristöystävällisiksi käyttämällä kierrätettäviä, alhaisia pitoisuuksia haitallisia aineita sisältäviä materiaaleja sekä tuotteissaan että niiden pakkauksissa.

Suosittellemme, että irrotat D-Link-tuotteesi virtalähteestä tai sammutat ne aina, kun ne eivät ole käytössä. Toimimalla näin autat säästämään energiaa ja vähentämään hiilidioksiidipäästöjä.

Lue lisää ympäristöystävällisistä D-Link-tuotteista ja pakkauksistamme osoitteesta [www.dlinkgreen.com](http://www.dlinkgreen.com).

## SVENSKA

SE



Den här symbolen på produkten eller förpackningen betyder att produkten enligt lokala lagar och föreskrifter inte skall kastas i hushållssoporna utan i stället återvinnas. Ta den vid slutet av dess livslängd till en av din lokala myndighet utsedd uppsamlingsplats, vissa accepterar produkter utan kostnad. Genom att på detta sätt återvinna produkten och förpackningen hjälper du till att bevara miljön och skydda människors hälsa.

## D-Link och miljön

På D-Link förstår vi och är fast beslutna att minska den påverkan våra verksamheter och produkter kan ha på miljön. För att minska denna påverkan utformar och bygger D-Link sina produkter för att de ska vara så miljövänliga som möjligt, genom att använda återvinningsbara material med låg gifthalt i både produkter och förpackningar.

D-Link rekommenderar att du alltid stänger av eller kopplar ur dina D-Link produkter när du inte använder dem. Genom att göra detta hjälper du till att spara energi och minska utsläpp av koldioxid.

För mer information om våra miljöansvariga produkter och förpackningar [www.dlinkgreen.com](http://www.dlinkgreen.com).

## PORTUGUÊS

PT



Este símbolo no produto ou embalagem significa que, de acordo com as leis e regulamentações locais, este produto não deverá ser eliminado juntamente com o lixo doméstico mas enviado para a reciclagem. Transporte-o para um ponto de recolha designado pelas suas autoridades locais quando este tiver atingido o fim da sua vida útil, alguns destes pontos aceitam produtos gratuitamente. Ao reciclar o produto e respectiva embalagem desta forma, ajuda a preservar o ambiente e protege a saúde humana.

## A D-Link e o ambiente

Na D-Link compreendemos e comprometemo-nos com a redução do impacto que as nossas operações e produtos possam ter no ambiente. Para minimizar este impacto a D-Link concebe e constrói os seus produtos para que estes sejam o mais inofensivos para o ambiente possível, utilizando materiais recicláveis e não tóxicos tanto nos produtos como nas embalagens.

A D-Link recomenda que desligue os seus produtos D-Link quando estes não se encontrarem em utilização. Com esta acção ajudará a poupar energia e reduzir as emissões de CO<sub>2</sub>.

Para saber mais sobre os nossos produtos e embalagens responsáveis a nível ambiental visite [www.dlinkgreen.com](http://www.dlinkgreen.com).