

# SMART TV UHD

## Ultra High Definition, Premium in Every Way



**HOSPITALITY TV SALES:**

1-888-727-2664 | 1-866-SAM4BIZ  
[samsung.com/business](http://samsung.com/business)  
[samsung.com/b2bhospitalitytvs](http://samsung.com/b2bhospitalitytvs)

**FOLLOW US:**

[youtube.com/samsungbizusa](http://youtube.com/samsungbizusa)  
 @SamsungBizUSA

40" Class LED	HG40ND690UF
48" Class LED	HG48ND690UF
55" Class LED	HG55ND690UF



## 690U Series Hospitality TVs

### Technology that Delivers a Premium At-Home, In-Room Experience

Whether it's a casual vacationer or a seasoned business traveler, today's guests demand a premium at-home, in-room entertainment experience. Samsung, the leader in flat panel technology, delivers yet again with the Samsung 690U Series. Each display is a SMART TV, giving guests a whole new level of interactivity. With SMART TV, guests can watch movies and TV shows from streaming services, instantly check Facebook, Twitter and Skype to stay connected, and even push content from their personal devices to the big screen. And the 690U Series features direct-lit LED technology, for all the benefits of LED at a lower cost. It's innovation that delivers the complete platform for premium in-room entertainment.

### Key Features

#### Stunning UHD (4K) Picture

3840 x 2160 resolution (4x the number pixels of Full HD 1080p) delivers life-like image quality. A high-impact way to communicate in hospitality.

#### Premium Slim Direct-Lit LED Technology

Direct-lit LED technology provides the brilliance and energy savings advantages of LED technology, along with the uniform brightness typical of CCFL displays. And it does it all with an efficiency that makes it a more affordable technology. In fact, it's possible to upgrade your rooms to LED technology for a cost comparable to CCFL technology.

#### Samsung LYNK™ REACH 3.1 Content Management Solution

The Samsung REACH 3.1 (Remote Enhanced Active Control for Hotels) Management Solution is used in conjunction with an existing coaxial-based infrastructure. It provides centralized TV controls, basic static content management capabilities and an Interactive Program Guide (IPG).

#### Samsung LYNK™ SINC 3.1 Interactive Content Management System

This IP-based content management solution delivers enhanced HTML and rich text with protocols to communicate between Samsung Interactive TVs and hotel property management software. Facility managers can completely customize the in-room entertainment with IPG (Interactive Program Guide), Weather API, Flight Information and Real Time Messaging, and by unlocking rich content from the Samsung Hospitality Widget Library (Facebook, Twitter, AccuWeather, Google Maps™).

#### H-Browser Compatibility

The Samsung 690U Series offers H-Browser through partnerships with certified system integrators, providing guests with a premium interactive experience. Built on the HTML5 standard with Flash® support, H-Browser is a true Smart TV solution that features both free and video on demand (VOD) content. It is able to interface directly with the head end without the use of a set top box.

#### Mobile Device Integration Using AllShare™ Cast

Samsung AllShare™ Cast lets you seamlessly share content across your DLNA-connected Samsung devices, which includes WiDi, without the need for a network cable or a connecting device. AllShare Cast allows screen mirroring and video streaming to enable seamless content sharing.

# Samsung 690U Series Hospitality TVs

Samsung Hospitality TVs are loaded with features that provide premier guest satisfaction, while making your job easier.

## HOSPITALITY FEATURES

### Anti-Theft Battery Cover

Battery door is secured, ensuring batteries remain in the remote controller.

### Channel Remapping

Allows the hotelier to change channel and TV source to a different channel.

### Clock On Timer and Alarm Key

Allows the guest to program the TV to turn on as a wake-up alarm.

### Closed Captioning

A text display of all audio content, including spoken dialog and non-speech information such as the identity of the speakers and symbols for sound effects and music.

### Hotel Channel List

Guest master channel listing of program content. This will display content in analog or HD.

### Hotel Logo Display with Time Out Setting

Display hotel logo bitmap files as a greeting startup display.

### Hotel Mode Plug & Play

Interactive stand-alone mode available.

### Lockout Controls

The hotelier can enable front panel and menu display lock-outs.

### On Screen Display Language

Choose English/French/Spanish.

### Picture-in-Picture

Display one program while another is being displayed on the full TV screen at the same time.

### Power On Status Setting

Settings include power always on, last option or standby.

### Multi-Code Remote

Eliminates interference when two or more TVs are used in close proximity to each other.

### Samsung LYNK™ SINC 3.1 Interactive Content Management System

IP-based solution designed to provide enhanced HTML and rich text, dynamic content management capabilities. Offers IPG (Interactive Program Guide), Weather API, Flight Information and Real Time Messaging. Incorporates use of Samsung Hospitality Widget Library (Facebook, Twitter, AccuWeather, Google Maps). For the hotelier with IP-enabled infrastructure and Samsung's Interactive TVs. The Samsung Hospitality Displays Smart Widget Solution provides you with the ability to deliver customized content to your guests via the TV screen, providing a high degree of customer satisfaction.

### Samsung LYNK™ REACH 3.1 Content Management Solution

The Samsung LYNK™ REACH 3.1 (Remote Enhanced Active Control for Hotels) Management Solution is used in conjunction with an existing coaxial-based infrastructure. It provides centralized TV controls, basic static content management capabilities and an Interactive Program Guide (IPG). Samsung REACH 3.1 delivers, in a free-to-guest solution, content and information on such topics as your hotel, local and in-room dining, spa and exercise facilities, meetings and events, local attractions, and other simple guest convenience features. Property managers will be able to easily update and change information using a Windows®-based system.

### Sleep Timer

Allows guest to set TV turn-off time in 30-minute intervals up to 180 minutes.

### USB Cloning

A quick and easy way to copy the ideal settings off one television to others on the property. Saves time and helps provide a consistent viewing experience for all televisions.

## CONNECTIONS

### AllShare™ Cast

Enjoy your favorite digital content from any of your DLNA-connected Samsung Devices. AllShare™ Cast lets you wirelessly access and share content between your Samsung devices regardless of where you are. And there's no need for any cables or connected devices. It's also equipped with cloud technology, so you can upload your favorite content to a central web storage account and access it wherever you are.

### Anynet + (HDMI – CEC)

This Samsung protocol allows the user to control other HDMI devices connected to the TV display, such as DVD players, PC computers and Soundbars.

### ConnectShare™ (USB 2.0)

Connect a thumb drive or digital camera quickly and easily. User-friendly interface allows access to videos, a music playlist and pictures via the remote.

### Hotel TV (RJ-12/IR Pass Through)

Allows you to connect an interactive STB/SBB (Set Top Box/Set Back Box).

### Hotel TV RJ45

Connection to hotel LAN using custom H-browser or Samsung LYNK SINC.

### Interactive Compatibility System



### Remote Jack Panel (RJP) Compatibility



### WiFi®

With built-in WiFi, no additional equipment is needed to connect with an existing wireless router in your hotel network and start accessing Samsung Apps or other Smart TV features.

## PICTURE QUALITY AND AUDIO

### Auto Volume Limiter

During initial product setup, minimum and maximum volume levels can be locked to help minimize disturbance to other hotel guests.

### Dual Core Processor

Dual Core makes multitasking fast. Browse the web faster and quickly. Hotel personnel can easily download apps to the TV.

### 4K UHD, MPEG4

Samsung 690U Series TVs feature 4K UHD. All TVs are also compatible with MPEG4.

### Music Mode (Input: HDMI/PC/AV/Component)

Allows audio feedback when picture is muted.

### Music Mode Backlight On/Off

Shows a background display.

### Premium Slim Direct-Lit LED Technology

Direct-lit LED technology provides the brilliance and energy savings advantages of LED technology, along with the uniform brightness typical of CCFL displays. And it does it all with an efficiency that makes it a more affordable technology. In fact, it's possible to upgrade your rooms to LED technology for a cost comparable to CCFL technology. When you add the energy savings of up to 50% that LED offers over CCFL, you end up with the perfect solution for both you and your guests.

### Samsung Soundbar Compatible

Samsung Hospitality Displays enable Soundbar compatibility by supporting HDMI-CEC. When you connect the Soundbar to the Samsung Hospitality Display with an HDMI cable, the TV audio settings and menu lock feature are automatically applied, so you don't have to set up the Soundbar separately. You can also prevent guests from changing the settings. With one single remote, guests can control both the TV and Soundbar simultaneously.

## WARRANTY

2-year parts and 2-year labor warranty backed by Samsung Hospitality Hotline 1-866-894-0524. Optional professional installation, accessories and extended warranty are available.

## Samsung 690U Series Hospitality TVs



### DIGITAL RIGHTS MANAGEMENT (DRM)

#### Pro:Idiom™ HD Content Decryption DRM (IP/RF) Pro:Idiom

The 690U Series is equipped with Pro:Idiom™ MPEG4 technology, making the TVs compatible with most major VOD/PPV systems. You can offer your guests premium HDTV content from cable, satellite or video-on-demand services with no optional cards or external box needed.

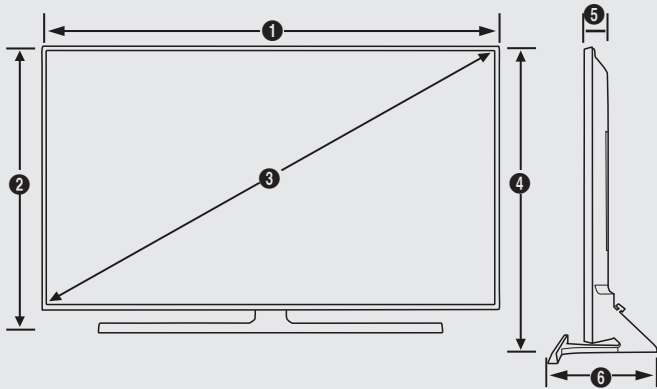
#### Samsung LYNK™ HD Content Decryption DRM (IP/RF)

Samsung's software-based DRM technology is integrated into the entire Samsung 2015 Hotel TV line. Samsung LYNK™ offers a robust solution to unlock premium HDTV content from content providers such as cable, satellite and VOD providers, with maximum efficiency and security. IPTV-IP LYNK is available with SINC 3.1 and H-Browser 3.0.

#### Verimatrix™ HD Content Decryption DRM (IP)

IPTV-IP Multicast DRM is used in conjunction with Samsung LYNK™ SINC. In viewing IPTV channel reliable access to unlock premium HDTV content from content providers such as cable and satellite providers. IPTV-IP LYNK is available with SINC 3.1 and H-Browser 3.0.

## Dimensions



40" | HG40ND690UF - 2160P | 5000:1 Contrast Ratio

1	2	3	4	5	6
36.1"	21.1"	40.0"	22.9"	2.5"	9.5"

48" | HG48ND690UF - 2160P | 5000:1 Contrast Ratio

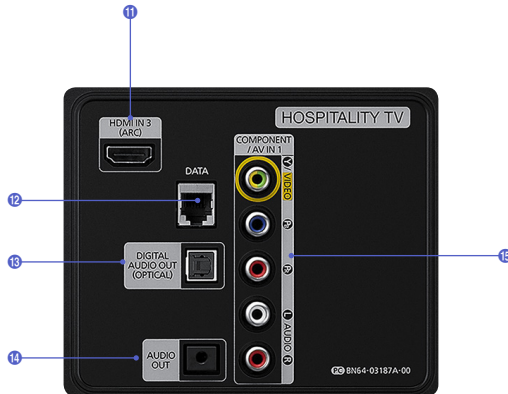
1	2	3	4	5	6
42.8"	24.8"	48.0"	26.6"	2.5"	10.0"

55" | HG55ND690UF - 2160P | 5000:1 Contrast Ratio

1	2	3	4	5	6
48.9"	28.3"	55.0"	30.1"	2.5"	10.5"

## Connectivity

- |                       |                           |                                 |
|-----------------------|---------------------------|---------------------------------|
| 1. Ex-Link            | 5. USB (5V0.5A)           | 11. HDMI In 3 (ARC)             |
| 2. Variable Audio Out | 6. USB (HDD/1.0A)/Cloning | 12. Data                        |
| 3. Volume Control     | 7. HDMI In 1 (DVI)        | 13. Digital Audio Out (Optical) |
| 4. DVI Audio In       | 8. HDMI In 2              | 14. Audio Out                   |
|                       | 9. (RJ45) LAN             | 15. Video/AV IN/Component In    |
|                       | 10. ANT In Air/Cable      |                                 |



# Samsung 690U Series Hospitality TVs Key Specifications

For complete product specifications, visit [samsung.com/b2bhospitalitytvs](http://samsung.com/b2bhospitalitytvs)

	Model Number	HG40ND690UF	HG48ND690UF	HG55ND690UF
Display	Backlight	LED	LED	LED
	Screen Size (Diagonal)	40	48	55
	HD/FHD/UHD	UHD	UHD	UHD
	Resolution	3840 x 2160	3840 x 2160	3840 x 2160
Video	Picture Engine	UHD Up-Scaling	UHD Up-Scaling	UHD Up-Scaling
	Micro Dimming	UHD Dimming	UHD Dimming	UHD Dimming
	Wide Color Enhancer Plus	Yes	Yes	Yes
	Auto Motion Plus	Yes	Yes	Yes
	Film Mode	Yes	Yes	Yes
Audio	Dolby Digital Plus	MS11	MS11	MS11
	Virtual Surround	DTS Studio Sound	DTS Studio Sound	DTS Studio Sound
	DTS Codec	DTS Premium Sound 5.1	DTS Premium Sound 5.1	DTS Premium Sound 5.1
	Sound Output (RMS)	20W (L:10W, R:10W)	20W (L:10W, R:10W)	20W (L:10W, R:10W)
	Speaker Type	2CH (Down Firing + Bass Reflex)	2CH (Down Firing + Bass Reflex)	2CH (Down Firing + Bass Reflex)
Features	Smart Hub	Smart	Smart	Smart
	Apps	Yes	Yes	Yes
	Web Browser	Yes	Yes	Yes
	Mobile to TV - Mirroring, DLNA	Yes	Yes	Yes
	Samsung Smart View	Yes	Yes	Yes
	Voice Control	Yes	Yes	Yes
	Digital Clean View	Yes	Yes	Yes
	Auto Channel Search	Yes	Yes	Yes
	Auto Power Off	Yes	Yes	Yes
	Caption (Subtitle)	Yes	Yes	Yes
	ConnectShare™ (HDD)	Yes	Yes	Yes
	ConnectShare™ (USB 2.0)	Yes	Yes	Yes
	Sports Mode	Basic	Basic	Basic
	Channel List	Yes	Yes	Yes
	Game Mode	Yes	Yes	Yes
	OSD Language	English, Spanish, French	English, Spanish, French	English, Spanish, French
	Picture-In-Picture	Yes	Yes	Yes
BT HID Built-in	Yes	Yes	Yes	
USB HID Support	Yes	Yes	Yes	
Hospitality Features	Samsung LYNK™ SINC Compatibility	Yes	Yes	Yes
	H.Browser Compatibility	Yes	Yes	Yes
	Samsung LYNK™ REACH Server Compatibility	Yes	Yes	Yes
	Hospitality Home Menu	Yes	Yes	Yes
	Bluetooth Music Player (Mobile → TV)	Yes	Yes	Yes
	Hospitality Plug&Play (Easy Set-up)	Yes	Yes	Yes
	Auto Source Mode	Yes	Yes	Yes
	Power On Mode	Yes	Yes	Yes
	Hotel Channel List	Yes	Yes	Yes
	Channel Setup On/Off	Yes	Yes	Yes
	Mixed Channel List (ATSC, DVB-T/T2/C/S2, Analog)	Yes	Yes	Yes
	Energy Saving Mode (BLU Control)	Yes	Yes	Yes
	Logo Display with Time Out Setting (BMP/Movie)	Yes	Yes	Yes
	Welcome Message	Yes	Yes	Yes
	RJ12 / IR Pass Through	Yes	Yes	Yes
	Clock Back Up Power Supply	Yes	Yes	Yes
	Software Clock	Yes	Yes	Yes
	Multi Code Remote Control	Yes	Yes	Yes
	Screwed Battery Cover	Yes	Yes	Yes
	Sound Bar Compatibility	Yes	Yes	Yes
	Music Mode (Input: PC/AV/Component/HDMI)	Yes	Yes	Yes
	Music Mode Backlight On/Off	Yes	Yes	Yes
	USB Cloning	Yes	Yes	Yes
	Smovie Compatibility	Yes	Yes	Yes
	Soft AP	Yes	Yes	Yes
	Wake-up Timer (Alarm)	Yes	Yes	Yes
	Samsung LYNK™ DRM	Yes	Yes	Yes
	Pro:Idiom	Yes	Yes	Yes
	blan	No	No	No
	Security Mode	No	No	No
S/W IPG (Interactive Program Guide)	Yes	Yes	Yes	
Standby LED Color	Red	Red	Red	
Wake on LAN (WOL)	Yes	Yes	Yes	

**Samsung 690U Series Hospitality TVs Key Specifications** For complete product specifications, visit [samsung.com/b2bhospitalitytvs](http://samsung.com/b2bhospitalitytvs)

	Model Number	HG40ND690UF	HG48ND690UF	HG55ND690UF
Input & Output	HDMI (Side/Rear)	2/1	2/1	2/1
	USB (Side/Rear)	2/0	2/0	2/0
	Composite In (AV) (Side/Rear)	0/1 (Common Use for Component Y)	0/1 (Common Use for Component Y)	0/1 (Common Use for Component Y)
	Ethernet (LAN) (Side/Rear)	1/0	1/0	1/0
	Audio Out (Mini Jack) (Side/Rear)	0/1	0/1	0/1
	Digital Audio Out (Optical) (Side/Rear)	0/1	0/1	0/1
	PC/DVI Audio In (Mini Jack)(Side./Rear)	1/0	1/0	1/0
	RF In (Terrestrial/Cable Input) (Side/Rear)	1/0	1/0	1/0
	RS232C	Yes (Common Use for RJ12)	Yes (Common Use for RJ12)	Yes (Common Use for RJ12)
	Variable Audio Out (Side/Rear)	1/0	1/0	1/0
	Variable Audio Out Volume Control (Side/Rear)	1/0	1/0	1/0
	RJ12 (Side/Rear)	0/1	0/1	0/1
RJP Jack (Remote Jack Pack) (Side/Rear)	1/0	1/0	1/0	
System	DTV Tuner	ASTC/Clear QAM	ASTC/Clear QAM	ASTC/Clear QAM
	Analog Tuner	Yes	Yes	Yes
Design	Front Color	Black	Black	Black
	Stand Type	Plate T-Shape	Plate T-Shape	Plate T-Shape
	Swivel (Left/Right)	N/A	N/A	N/A
Dimensions (W x H x D)	Set Dimension with Stand (WxHxD) (mm) / (inches)	917.7 x 582.2 x 241.6 / 36.1" x 22.9" x 9.5"	1087.1 x 676.8 x 254.6 / 42.8" x 26.6" x 10"	1242.6 x 763.4 x 267.5 / 48.9" x 30.1" x 10.5"
	Set Dimension without Stand - Wall Mount Side (WxHxD) (mm) / (inches)	917.7 x 535.7 x 49.5 / 36.1" x 21.1" x 1.9"	1087.1 x 630.9 x 50.2 / 42.8" x 24.8" x 1.9"	1242.6 x 718.4 x 50.1 / 48.9" x 28.3" x 1.9"
	Set Dimension without Stand - Speaker Side (WxHxD) (mm) / (inches)	917.7 x 535.7 x 62.6 / 36.1" x 21.1" x 2.5"	1087.1 x 630.9 x 63.3 / 42.8" x 24.8" x 2.5"	1242.6 x 718.4 x 63.2 / 48.9" x 28.3" x 2.5"
Weight	Set Weight with Stand (kg) / (lbs)	15.3 / 33.7	18.2 / 40.1	28.1 / 61.9
	Set Weight without Stand (kg) / (lbs)	12.5 / 27.6	15.4 / 33.9	23.9 / 52.7
	Package Weight (kg) / (lbs)	18.8 / 41.4	23.6 / 52	34.6 / 76.3
Power	Power Supply (V) / Multi Voltage	AC110-120V 60Hz / Yes	AC110-120V 60Hz / Yes	AC110-120V 60Hz / Yes
Accessory	Remote Controller Model	TM1240	TM1240	TM1240
	Battery (for Remote Control)	Yes	Yes	Yes
	Vesa Wall Mount Support (mm)	400 x 400	400 x 400	400 x 400
	Power Cable	Yes	Yes	Yes
	Quick Install Guide	Yes	Yes	Yes
	Data Cable	Yes	Yes	Yes
	Stand Mount Kit	No	No	No
	Security Screws	No	No	No



**SAMSUNG**  
BUSINESS

For complete product information and accessories, visit [samsung.com/business](http://samsung.com/business) or [samsung.com/b2bhospitalitytvs](http://samsung.com/b2bhospitalitytvs)  
Product Support: 1-866-SAM4BIZ | Follow Us: [youtube.com/samsungbizusa](https://www.youtube.com/samsungbizusa) | [@SamsungBizUSA](https://twitter.com/SamsungBizUSA)

SAMSUNG ELECTRONICS HAS BEEN NAMED 2015 ENERGY STAR PARTNER OF THE YEAR IN THE PRODUCT MANUFACTURING CATEGORY BY THE U.S. ENVIRONMENTAL PROTECTION AGENCY (EPA).



©2015 Samsung Electronics America, Inc. Samsung is a registered mark of Samsung Electronics Corp., Ltd. Specifications and designs are subject to change without notice. Non-metric weights and measurements are approximate. All other brand, product, service names and logos are trademarks and/or registered trademarks of their respective manufacturers and companies. Simulated screen images. See [samsung.com](http://samsung.com) for detailed information. Printed in the USA. HOSTV-690SERIESB2BDSHT-JUN15T