

# KE Series Single Rack Mount Kit - 2X-031G



## Installation Guide

This single rack mounting kit installs one KE Series unit in 1U of server rack space.

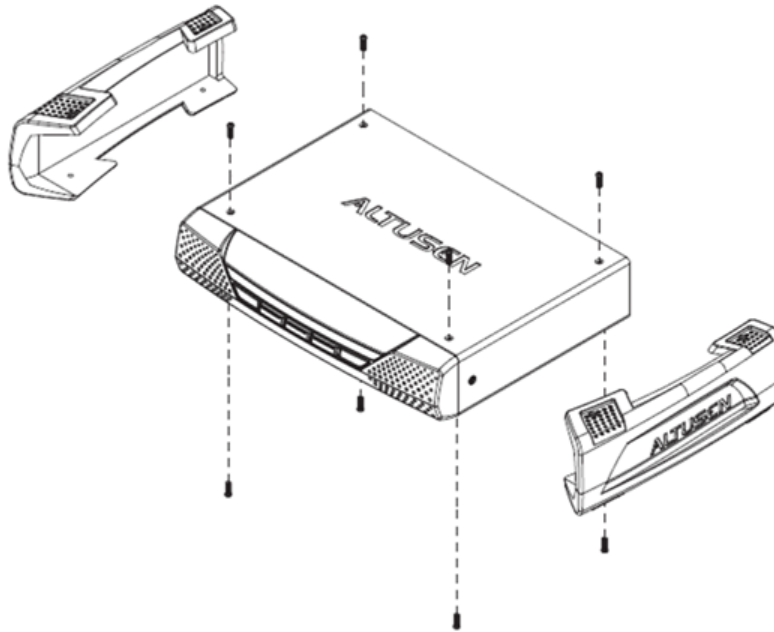
### Package Contents:

- 1 x right mounting bracket
- 1 x left mounting bracket
- 2 x flat head screws
- 2 x pan head screws

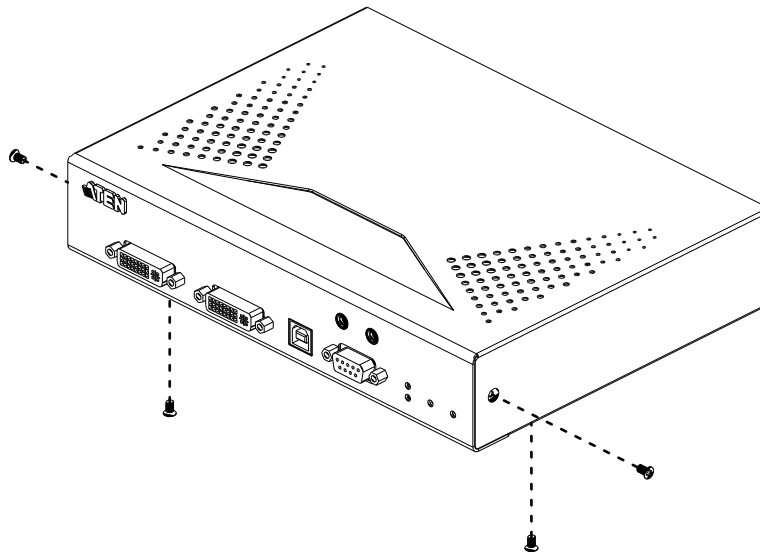
## Installation:

MISC00000271 03/2021 V3.0

1. Remove the screws and plastic guards from the KE Series receiver unit.



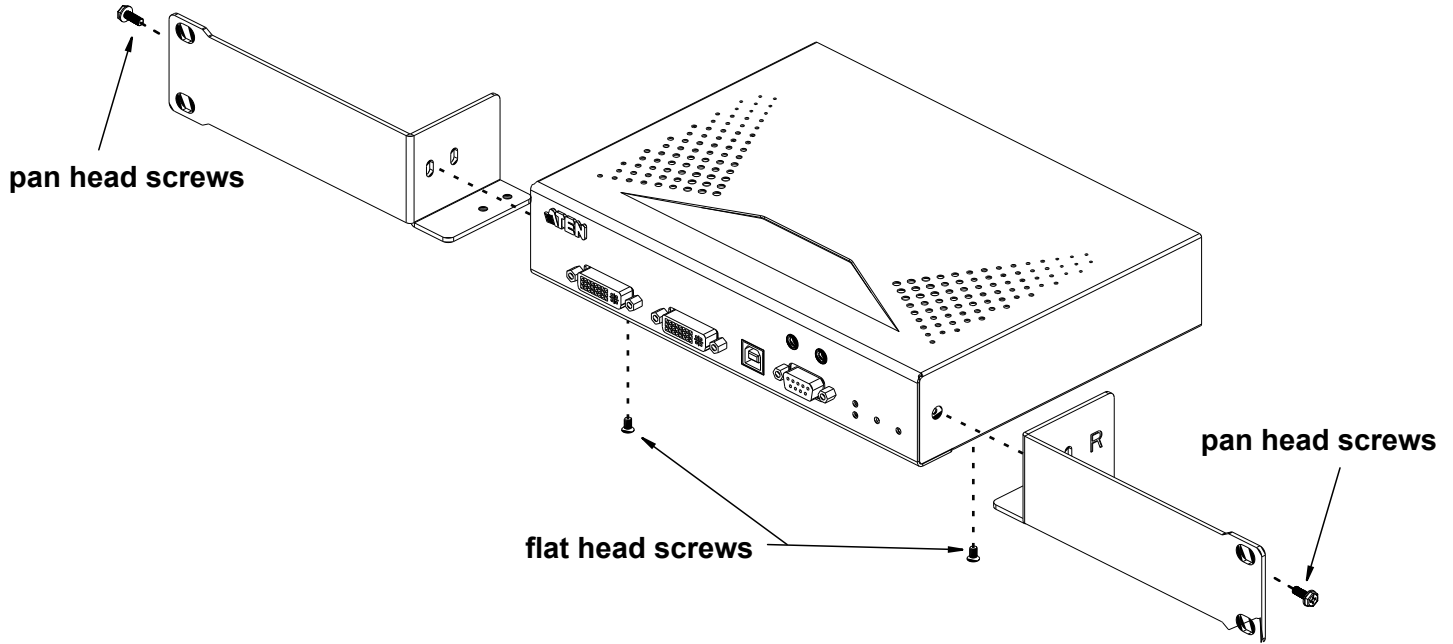
2. Remove the bottom and side screws from the KE Series transmitter unit.



# KE Series Single Rack Mount Kit - 2X-031G

## Installation Guide

3. Use the flat head and pan head screws provided to install the right and left mounting brackets. The example used in the diagram below is a KE Series transmitter unit, the procedure for connecting to a receiver unit is identical.



4. Screw the mounting brackets to the rack. The example used in the diagram below is a KE Series transmitter unit, the procedure for connecting to a receiver unit is identical.

