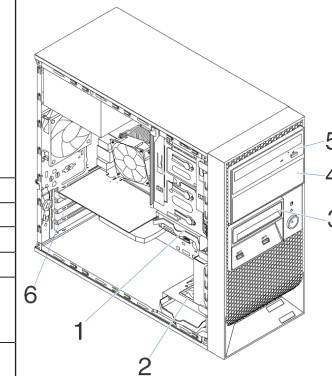


ThinkServer TS150 Platform Specifications

Product Specifications Reference (PSREF)

Components	Specification																																										
Dimensions	Tower or 4U rack. Height: 375 mm (14.76 in), width: 175 mm (6.89 in), depth: 431 mm (16.97 in)																																										
Weight	Maximum configuration: 27.6 lb (12.5kg)																																										
Processor	Up to one Intel Xeon E3-1200 v5, Core i3, Pentium, or Celeron family processor.																																										
	<table border="1"> <tbody> <tr><td>Xeon E3-1280 v5</td><td>4C/3.7GHz/8MB/80W/DDR4-2133</td></tr> <tr><td>Xeon E3-1270 v5</td><td>4C/3.6GHz/8MB/80W/DDR4-2133</td></tr> <tr><td>Xeon E3-1240 v5</td><td>4C/3.5GHz/8MB/80W/DDR4-2133</td></tr> <tr><td>Xeon E3-1230 v5</td><td>4C/3.4GHz/8MB/80W/DDR4-2133</td></tr> <tr><td>Xeon E3-1220 v5</td><td>4C/3GHz/8MB/80W/DDR4-2133</td></tr> <tr><td>Xeon E3-1275 v5</td><td>4C/3.6GHz/8MB/80W/DDR4-2133</td></tr> <tr><td>Xeon E3-1245 v5</td><td>4C/3.5GHz/8MB/80W/DDR4-2133</td></tr> <tr><td>Xeon E3-1225 v5</td><td>4C/3.3GHz/8MB/80W/DDR4-2133</td></tr> <tr><td>Core i3-6320</td><td>2C/3.9GHz/4MB/51W/DDR4-2133</td></tr> <tr><td>Core i3-6300</td><td>2C/3.8GHz/4MB/51W/DDR4-2133</td></tr> <tr><td>Core i3-6300T</td><td>2C/3.3GHz/4MB/35W/DDR4-2133</td></tr> <tr><td>Core i3-6100</td><td>2C/3.7GHz/3MB/51W/DDR4-2133</td></tr> <tr><td>Core i3-6100T</td><td>2C/3.2GHz/3MB/35W/DDR4-2133</td></tr> <tr><td>Pentium G4520</td><td>2C/3.6GHz/3MB/51W/DDR4-2133</td></tr> <tr><td>Pentium G4500</td><td>2C/3.5GHz/3MB/51W/DDR4-2133</td></tr> <tr><td>Pentium G4500T</td><td>2C/3GHz/3MB/35W/DDR4-2133</td></tr> <tr><td>Pentium G4400</td><td>2C/3.3GHz/3MB/54W/DDR4-2133</td></tr> <tr><td>Pentium G4400T</td><td>2C/2.9GHz/3MB/35W/DDR4-2133</td></tr> <tr><td>Celeron G3920</td><td>2C/2.9GHz/2MB/51W/DDR4-2133</td></tr> <tr><td>Celeron G3900</td><td>2C/2.8GHz/2MB/51W/DDR4-2133</td></tr> <tr><td>Celeron G3900T</td><td>2C/2.6GHz/2MB/35W/DDR4-2133</td></tr> </tbody> </table>	Xeon E3-1280 v5	4C/3.7GHz/8MB/80W/DDR4-2133	Xeon E3-1270 v5	4C/3.6GHz/8MB/80W/DDR4-2133	Xeon E3-1240 v5	4C/3.5GHz/8MB/80W/DDR4-2133	Xeon E3-1230 v5	4C/3.4GHz/8MB/80W/DDR4-2133	Xeon E3-1220 v5	4C/3GHz/8MB/80W/DDR4-2133	Xeon E3-1275 v5	4C/3.6GHz/8MB/80W/DDR4-2133	Xeon E3-1245 v5	4C/3.5GHz/8MB/80W/DDR4-2133	Xeon E3-1225 v5	4C/3.3GHz/8MB/80W/DDR4-2133	Core i3-6320	2C/3.9GHz/4MB/51W/DDR4-2133	Core i3-6300	2C/3.8GHz/4MB/51W/DDR4-2133	Core i3-6300T	2C/3.3GHz/4MB/35W/DDR4-2133	Core i3-6100	2C/3.7GHz/3MB/51W/DDR4-2133	Core i3-6100T	2C/3.2GHz/3MB/35W/DDR4-2133	Pentium G4520	2C/3.6GHz/3MB/51W/DDR4-2133	Pentium G4500	2C/3.5GHz/3MB/51W/DDR4-2133	Pentium G4500T	2C/3GHz/3MB/35W/DDR4-2133	Pentium G4400	2C/3.3GHz/3MB/54W/DDR4-2133	Pentium G4400T	2C/2.9GHz/3MB/35W/DDR4-2133	Celeron G3920	2C/2.9GHz/2MB/51W/DDR4-2133	Celeron G3900	2C/2.8GHz/2MB/51W/DDR4-2133	Celeron G3900T	2C/2.6GHz/2MB/35W/DDR4-2133
	Xeon E3-1280 v5	4C/3.7GHz/8MB/80W/DDR4-2133																																									
	Xeon E3-1270 v5	4C/3.6GHz/8MB/80W/DDR4-2133																																									
	Xeon E3-1240 v5	4C/3.5GHz/8MB/80W/DDR4-2133																																									
	Xeon E3-1230 v5	4C/3.4GHz/8MB/80W/DDR4-2133																																									
	Xeon E3-1220 v5	4C/3GHz/8MB/80W/DDR4-2133																																									
	Xeon E3-1275 v5	4C/3.6GHz/8MB/80W/DDR4-2133																																									
	Xeon E3-1245 v5	4C/3.5GHz/8MB/80W/DDR4-2133																																									
	Xeon E3-1225 v5	4C/3.3GHz/8MB/80W/DDR4-2133																																									
	Core i3-6320	2C/3.9GHz/4MB/51W/DDR4-2133																																									
	Core i3-6300	2C/3.8GHz/4MB/51W/DDR4-2133																																									
	Core i3-6300T	2C/3.3GHz/4MB/35W/DDR4-2133																																									
	Core i3-6100	2C/3.7GHz/3MB/51W/DDR4-2133																																									
	Core i3-6100T	2C/3.2GHz/3MB/35W/DDR4-2133																																									
	Pentium G4520	2C/3.6GHz/3MB/51W/DDR4-2133																																									
	Pentium G4500	2C/3.5GHz/3MB/51W/DDR4-2133																																									
	Pentium G4500T	2C/3GHz/3MB/35W/DDR4-2133																																									
	Pentium G4400	2C/3.3GHz/3MB/54W/DDR4-2133																																									
	Pentium G4400T	2C/2.9GHz/3MB/35W/DDR4-2133																																									
Celeron G3920	2C/2.9GHz/2MB/51W/DDR4-2133																																										
Celeron G3900	2C/2.8GHz/2MB/51W/DDR4-2133																																										
Celeron G3900T	2C/2.6GHz/2MB/35W/DDR4-2133																																										
Chipset	Intel C236 Platform Controller Hub (PCH)																																										
Memory DIMMs	4 DIMM sockets with 2 channels, 2 DIMMs per channel. UDIMM . DDR4-2133																																										
Memory capacity	64GB (16GB x 4)																																										
Memory protection	ECC																																										
RAID controller	<table border="1"> <thead> <tr> <th>RAID controller</th> <th>Drive type</th> <th>RAID support</th> </tr> </thead> <tbody> <tr> <td>Onboard RAID12i</td> <td>6Gbs SATA</td> <td>0/1/5/10</td> </tr> <tr> <td>RAID520i PCIe</td> <td>12Gbs SAS/SATA</td> <td>0/1/10, 5 with optional key</td> </tr> </tbody> </table>	RAID controller	Drive type	RAID support	Onboard RAID12i	6Gbs SATA	0/1/5/10	RAID520i PCIe	12Gbs SAS/SATA	0/1/10, 5 with optional key																																	
	RAID controller	Drive type	RAID support																																								
Onboard RAID12i	6Gbs SATA	0/1/5/10																																									
RAID520i PCIe	12Gbs SAS/SATA	0/1/10, 5 with optional key																																									
Disk bays	Supports up to four 3.5" or hybrid 3.5" + 2.5" disk drives , or up to five 2.5" disk drives. one 9.5mm optical (see right). Non-hot swap. Cables are connected to onboard SATA connectors or PCIe RAID controller. Supports one optional internal USB RDX Tape drive																																										
Supporting storage	<table border="1"> <tbody> <tr> <td>3.5" HDD, 7.2K SATA6Gbs</td> <td>500GB/1TB/2TB/3TB/4TB/5TB/6TB</td> </tr> <tr> <td>2.5" HDD, 7.2K SATA6Gbs</td> <td>500GB/1TB/2TB</td> </tr> <tr> <td>2.5" SSD, SATA6Gbs</td> <td>120GB/240GB/480GB/600GB/800GB/960GB</td> </tr> </tbody> </table>	3.5" HDD, 7.2K SATA6Gbs	500GB/1TB/2TB/3TB/4TB/5TB/6TB	2.5" HDD, 7.2K SATA6Gbs	500GB/1TB/2TB	2.5" SSD, SATA6Gbs	120GB/240GB/480GB/600GB/800GB/960GB																																				
	3.5" HDD, 7.2K SATA6Gbs	500GB/1TB/2TB/3TB/4TB/5TB/6TB																																									
	2.5" HDD, 7.2K SATA6Gbs	500GB/1TB/2TB																																									
2.5" SSD, SATA6Gbs	120GB/240GB/480GB/600GB/800GB/960GB																																										
SD module	Optional. Up to 2 SDHC flash cards via SD module, 8GB each																																										
Optical drive	Up to two half-height optical drives or one 9.5mm optical. DVD-ROM or DVD±RW																																										
Network interfaces	One Gigabit Ethernet port, Intel i219LM. Supports optional discrete network adapters via PCIe slots																																										
Security features	Power-on and administrator password. TPM (TCG 1.2-compliant)																																										
Systems management	UEFI, system LEDs, EasyStartup, EasyUpdate, Power Planner, and Diagnostics. Intel Active Management Technology 11 on models with Xeon processors. Intel Standard Manageability on models with Core i3, Pentium, or Celeron processors. KVM is supported on models with Xeon E3-12x5 v5 processors																																										
Operating systems	Microsoft Windows Server 2016/2012 R2/2012, Windows MultiPoint Server 2012, Windows 10 Pro. Red Hat Enterprise Linux 6.7/7.2. SUSE Linux Enterprise Server 11/12. VMware vSphere (ESXi) 5.5U3/6.0U2																																										
Base warranty	1 or 3-year limited onsite service with 9x5/NBD																																										
Power supply	Supports one of the following: <ul style="list-style-type: none"> • One fixed 250 watts, autosensing, 85%, 80 PLUS Bronze qualified • One fixed 400 watts, autosensing, 92%, 80 PLUS Platinum qualified 																																										
	<table border="1"> <thead> <tr> <th rowspan="2">CPU</th> <th colspan="4">Up to 80W</th> </tr> <tr> <th colspan="2">Not supported</th> <th colspan="2">Support</th> </tr> </thead> <tbody> <tr> <td>Discrete graphics adapter</td> <td></td> <td></td> <td></td> <td></td> </tr> <tr> <td>Disk drives</td> <td>2 x 3.5"</td> <td>4 x 3.5" + 1 x 2.5"</td> <td>2 x 3.5"</td> <td>4 x 3.5" + 1 x 2.5"</td> </tr> <tr> <td>250W fixed PSU</td> <td>•</td> <td>•</td> <td>•</td> <td>•</td> </tr> <tr> <td>400W fixed PSU</td> <td>•</td> <td>•</td> <td>•</td> <td>•</td> </tr> </tbody> </table>	CPU	Up to 80W				Not supported		Support		Discrete graphics adapter					Disk drives	2 x 3.5"	4 x 3.5" + 1 x 2.5"	2 x 3.5"	4 x 3.5" + 1 x 2.5"	250W fixed PSU	•	•	•	•	400W fixed PSU	•	•	•	•													
	CPU		Up to 80W																																								
		Not supported		Support																																							
	Discrete graphics adapter																																										
Disk drives	2 x 3.5"	4 x 3.5" + 1 x 2.5"	2 x 3.5"	4 x 3.5" + 1 x 2.5"																																							
250W fixed PSU	•	•	•	•																																							
400W fixed PSU	•	•	•	•																																							

Components	Specification	
Graphics	Integrated Intel HD Graphics on Xeon E3-12x5 v5, Core i3, Pentium, and Celeron processors. Uses main memory, works along with discrete graphics to support multi-display, enables two display connectors (1 DP, 1 VGA) on rear ports. Also supports the following discrete graphics adapter options: <ul style="list-style-type: none"> • NVIDIA Quadro NVS 315, 1GB • NVIDIA Quadro K620, 2GB 	
HD Audio	Realtek ALC662 codec	
Front ports	Two USB 3.0	
Rear ports	One VGA, one DisplayPort, six USB 3.0, one RJ-45, one serial (9-pin), three analog audio ports (line-in, line-out, mic-in). Optional parallel or serial ports via PCIe adapters	
Noise emissions	Operating: < 35 dB(A). Idle: < 34 dB(A) (Maximum configuration)	
Environmental specification	Temperature - operating	50 °F to 95 °F (10 °C to 35 °C)
	Temperature - non operating (with package)	-40 °C to 60 °C
	Altitude - operating	(Unpressurized): 0-10000ft (0-3048m)
	Humidity - operating	8%-80%, non-condensing
	Humidity - storage (with package)	10%-90%, non-condensing



Disk Bays and PCIe Slots

Disk bays configuration	4 x 3.5"	4 x 2.5"	4 x hybrid 3.5" + 2.5"
Bay 1	1st HDD bay	1st HDD bay	1st HDD bay, 3.5"/2.5"
Bay 2	2nd HDD bay	2nd HDD bay	2nd HDD bay, 3.5"/2.5"
Bay 3	Not supported	3rd HDD bay	Not supported on standard models. Supports one 2.5" disk drive for special bid only
Bay 4	2nd half-height optical, or RDX tape drive, or 3rd HDD bay	2nd half-height optical, or RDX tape drive, or 4th HDD bay	2nd half-height optical, or RDX tape drive, or 3rd HDD bay (3.5"/2.5")
Bay 5	1st half-height optical, or 9.5mm optical + 4th HDD bay	1st half-height optical, or 9.5mm optical +5th HDD bay	1st half-height optical, or 9.5mm optical + 4th HDD bay (3.5"/2.5")
6	Four PCIe slots (top-down): Slot 1: PCIe 3.0 x16, full height, half length (near CPU) Slot 2: PCIe 3.0 x1, full height, half length Slot 3: PCIe 3.0 x16 (x4 elec), full height, half length Slot 4: PCIe 3.0 x1, full height, half length		

Model	70LV003HEA
Product	ThinkServer TS150
Region	EMEA
Machine Type	70LV
TopSeller	TopSeller
Processor	Xeon E3-1225 v5 4C/3.3GHz/8MB/80W/DDR4-2133
Memory	1x8GB UDIMM DDR4-2133 ECC
RAID Controller	RAID 121i
Disk Bays	4x3.5"
Storage	1x1TB HDD 7.2K 3.5" SATA6Gbs
Optical	9.5mm DVD±RW
Add-on NIC	None
Add-on Ports	None
System Management	AMT
Operating System	None
Warranty	1-year
Power Supply	250W 85% Fixed
Ann Date (mm/yy)	10/16