

**Europe, Middle East**

ENGLISH  
FRANÇAIS  
DEUTSCH  
NEDERLANDS  
ITALIANO  
ESPAÑOL  
PORTUGUÊS  
РУССКИЙ  
ΕΛΛΗΝΙΚΑ  
TÜRKÇE  
POLSKI  
العربية

**North America/  
Norteamérica**

ENGLISH  
FRANÇAIS  
ESPAÑOL

**Latin America/  
América Latina**

ENGLISH  
ESPAÑOL  
PORTUGUÊS

**Asia Pacific**

简体中文  
繁體中文  
한국어

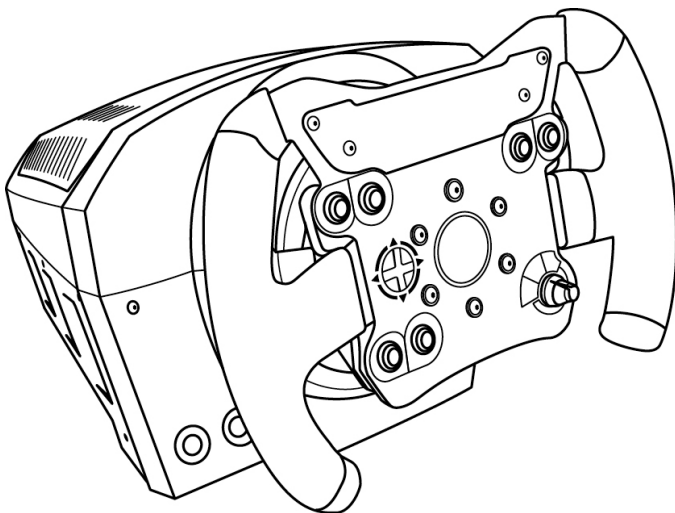
***THRUSTMASTER®***



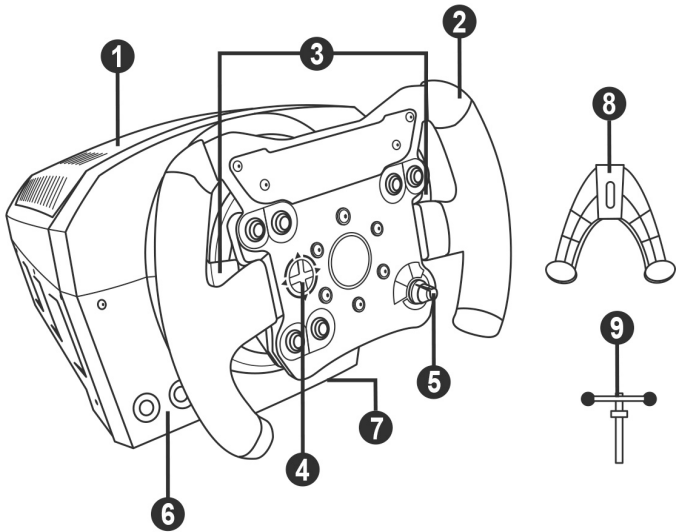
**TS-PC RACER**

# TS-PC RACER

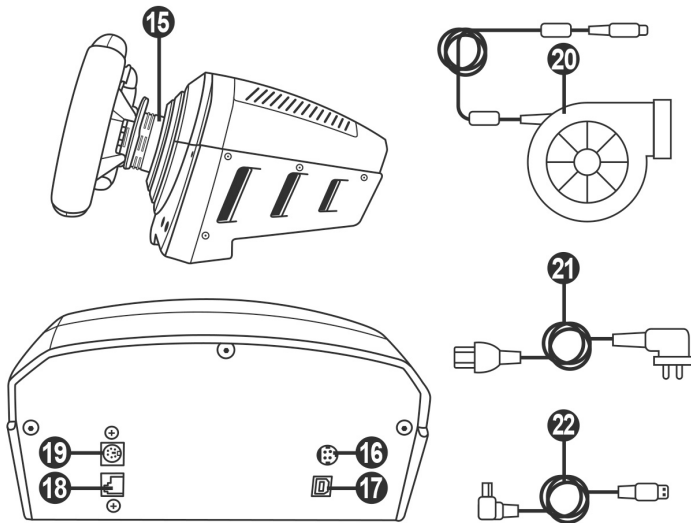
User Manual



## TECHNICAL FEATURES



- 1 Base
- 2 Wheel
- 3 2 sequential paddle shifters (up & down)
- 4 D-pad
- 5 Rotary switch with push function
- 6 MODE button + red/green indicator light
- 7 Large threaded hole (for attachment system and fastening screw)
- 8 Attachment system
- 9 Metal fastening screw



- 15 Thrustmaster Quick Release
- 16 Connector for TURBO POWER power supply
- 17 Connector for removable USB cable
- 18 Connector for pedal set (*pedal set sold separately*)
- 19 Connector for TH8A shifter (*shifter sold separately*)
- 20 TURBO POWER power supply
- 21 Power supply cable
- 22 Removable USB cable

### PLUGGING THE WHEEL INTO AN ELECTRICAL OUTLET: PLEASE READ CAREFULLY!



**Never plug the TURBO POWER power supply into an electrical outlet with a different voltage!** The TURBO POWER power supply's voltage is indicated on the label located above the female connector for the power supply cable.



**Never connect a power supply other than the TURBO POWER power supply to the TS-PC RACER base, even if the connector is compatible!** For example, never connect the power adapter for the T500 RS wheel to the TS-PC RACER base.

## WARNING

Before using this product, please read this manual carefully and save it for later reference.



### **Warning – Electrical shock**

- \* Keep the product in a dry location and do not expose it to dust or sunlight.
- \* Do not twist or pull on the connectors and cables.
- \* Do not spill any liquid on the product or its connectors.
- \* Do not short-circuit the product.
- \* Never dismantle the product; do not throw it onto a fire and do not expose it to high temperatures.
- \* Do not use a power supply cable other than the one provided with your racing wheel.
- \* Do not use the power supply cable if the cable or its connectors are damaged, split or broken.
- \* Make sure that the power supply cable is properly plugged into an electrical outlet, and properly connected to the connector at the rear of the racing wheel's base.
- \* Do not open up the racing wheel: there are no user-serviceable parts inside. Any repairs must be carried out by the manufacturer, its authorised representative or a qualified technician.
- \* Only use attachment systems/accessories specified by the manufacturer.
- \* If the racing wheel is operating abnormally (if it is emitting any abnormal sounds, heat or odours), stop using it immediately, unplug the power supply cable from the electrical outlet and disconnect the other cables.
- \* If you will not be using the racing wheel for an extended period of time, unplug its power supply cable from the electrical outlet.
- \* The electrical outlet must be located near the equipment and must be easily accessible.



### **Air vents**

Make sure not to block any of the air vents on the racing wheel's base. For optimal ventilation, make sure to do the following:

- \* Position the wheel's base at least 10 cm away from any wall surfaces.
- \* Do not place the base in any tight spaces.
- \* Do not cover the base.
- \* Do not let any dust build up on the air vents.



**For safety reasons, never use the pedal set with bare feet  
or while wearing only socks on your feet.**

**THRUSTMASTER® DISCLAIMS ALL RESPONSIBILITY IN THE EVENT OF  
INJURY RESULTING FROM USE OF THE PEDAL SET WITHOUT SHOES.**



### **Warning – Injuries due to Force Feedback and repeated movements**

Playing with a Force Feedback racing wheel may cause muscle or joint pain. To avoid any problems:

- \* Avoid lengthy gaming periods.
- \* Take 10 to 15 minute breaks after each hour of play.
- \* If you feel any fatigue or pain in your hands, wrists, arms, feet or legs, stop playing and rest for a few hours before you start playing again.



### **Warning – Injuries due to Force Feedback and repeated movements (continued)**

- \* If the symptoms or pain indicated persist when you start playing again, stop playing and consult your doctor.
- \* Keep out of children's reach.
- \* During gameplay, always leave both hands correctly positioned on the wheel without completely letting go.
- \* During gameplay, never place your hands or your fingers under the pedals or anywhere near the pedal set.
- \* During calibration and gameplay, never place your hand or your arm through the openings in the racing wheel.
- \* Make sure that the racing wheel's base is properly secured, as per this manual's instructions.

### **HEAVY PRODUCT**



Product to be handled only by users  
16 years of age or older



Be careful not to drop the product on  
yourself or on anyone else!

### **ALWAYS**



## INSTALLING THE WHEEL ON ITS BASE

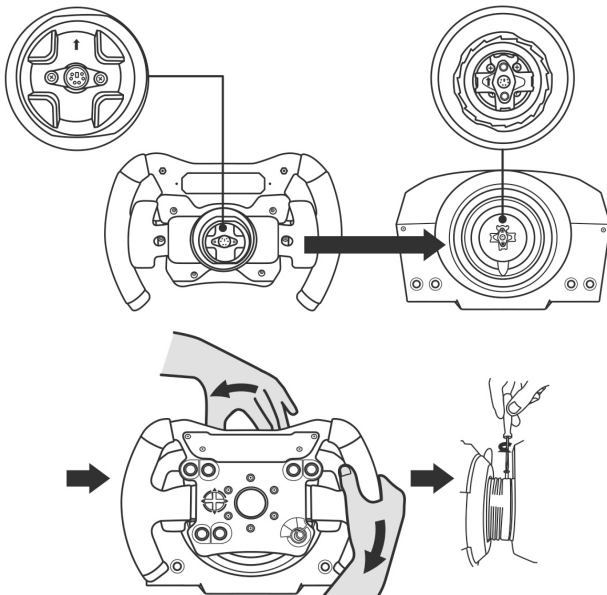
Align the connector positions using the arrows:

**Base (1) connector:** Arrow pointing upwards

**Racing wheel (2) connector:** Arrow pointing upwards

Once the connectors are correctly positioned, simply rotate the Thrustmaster Quick Release (15) device's ring anticlockwise, while holding the racing wheel (2) in position.

Then, tighten the ring as much as you can: to do so, hold the ring in position and rotate the racing wheel clockwise.



Once you have installed the wheel, rotate it 180° (when facing the wheel, the TM logo should be upside down) to access the small attachment screw located on the ring of the Thrustmaster Quick Release (15) device. Use a large Phillips screwdriver to tighten the small attachment screw (do not use excessive force), turning it clockwise.



**When using a Phillips screwdriver, ensure NOT to use excessive force when tightening the small attachment screw!  
Stop turning the screw as soon as you feel some resistance.**

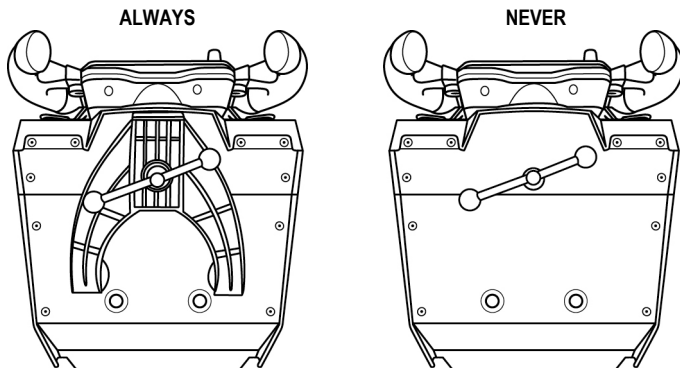
## ATTACHING THE RACING WHEEL

### Attaching the racing wheel's base to a cockpit

1. Place the racing wheel's base on the cockpit shelf.
2. Drive two M6 screws (not included) through the cockpit shelf, then feed them into the two small screw threads located on the underside of the racing wheel.  
*Important: The length of the two M6 screws must not exceed the thickness of the shelf + 12 mm; longer screws could cause damage to internal components located in the racing wheel's base.*
3. If required, tighten the standard attachment system by inserting the fastening screw in the large threaded hole.

### Attaching the racing wheel to a table or a desktop

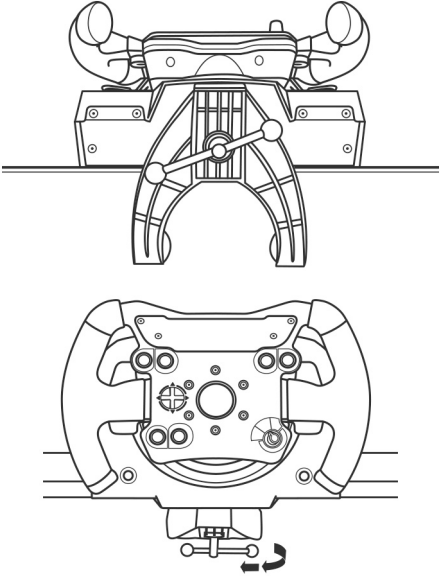
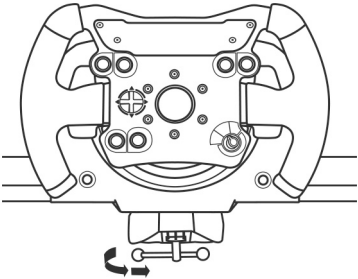
1. Place the racing wheel on a table or any other horizontal, flat and stable surface.
2. Insert the fastening screw (9) in the attachment system (8), then tighten the device by turning the screw anticlockwise, so that it feeds into the large threaded hole (7) located beneath the racing wheel, until the wheel is perfectly stable.



#### **WARNING:**

- Never tighten the screw alone, without the attachment system in place (this could damage the racing wheel).



ATTACHMENT / REMOVAL	DIRECTION
<p><b><u>To tighten:</u></b></p> <p><i>Turn the screw anticlockwise</i></p>	
<p><b><u>To release:</u></b></p> <p><i>Turn the screw clockwise</i></p>	

## SETTING UP THE RACING WHEEL FOR PC

1. Go to <http://support.thrustmaster.com> to download the drivers and the force feedback software for PC. Click Racing Wheels / TS-PC RACER, then select Drivers.
2. Once the download is complete, launch the installation, and follow the on-screen instructions to connect the wheel's USB plug to your computer and complete the installation.
3. Once the installation is complete, click Finish and restart your computer.
4. Select Start / All Programs / Thrustmaster / FFB Racing Wheel / Control Panel to open the Game Controllers window.

The Game Controllers window displays the racing wheel's name Thrustmaster TS-PC RACER with the status OK.

5. Click Properties to configure your wheel in the TS-PC RACER control panel:
  - Test Input tab: allows to test and view the action buttons, directional buttons, wheel and pedals axes, and to adjust the wheel's rotation angle in your PC games.
  - Test Forces tab: allows to test 12 force feedback effects.
  - Gain Settings tab: allows to adjust the power of the force feedback effects in your PC games.

***You are now ready to play!***

### General notes:

- On PC, click OK to close the Game Controllers window before launching the game.
- Your wheel's firmware version is displayed in the upper right-hand corner of the control panel tabs.

## UPDATING YOUR RACING WHEEL'S FIRMWARE

The firmware included in your racing wheel's base can be updated to a more recent version featuring product enhancements.

To display the firmware version that your racing wheel is currently using and update it if required: on PC, visit <http://support.thrustmaster.com>. Click **Racing Wheels / TS-PC RACER**, then select **Firmware** and follow the instructions describing the download and installation procedure.

## AUTOMATIC RACING WHEEL CALIBRATION

The wheel automatically self-calibrates when you plug the racing wheel into an electrical outlet and connect the racing wheel's USB connector.

During this phase, the racing wheel will rotate quickly towards the left and the right, covering a 1080 degree angle, before stopping at the center.



**Never touch the racing wheel during the self-calibration phase!**  
*(This could result in improper calibration and/or personal injuries.)*

**If your racing wheel does not function correctly, or if it seems to be improperly calibrated:**

Power off your PC and completely disconnect the racing wheel. Then reconnect all cables (including the power supply cable and the pedal set), and restart your PC and your game.

## INTERNAL COOLING SYSTEM FOR THE WHEEL'S BASE

The internal cooling system for the wheel's base

- starts working when the wheel is powered on.
- switches off after a few minutes of inactivity when the internal temperature cools down to a low level.
- switches on again when you use the wheel.

## MODE BUTTON AND INDICATOR LIGHT (6)

### MODE button for the pedal set

You can electronically swap the accelerator and clutch pedals if you are using a Thrustmaster T3PA or T3PA-PRO pedal set connected to the connector for pedal set (18).

To do so, simply press the MODE button (6) for 2 seconds.

The racing wheel's internal memory stores whether the pedals have been swapped around or not.

GAS AND CLUTCH PEDALS	Colour of the MODE indicator light (6)
NORMAL	RED
SWAPPED AROUND	GREEN

### Other information regarding the MODE button

To learn more about the MODE button and indicator light, please visit <http://support.thrustmaster.com>. Click **Racing Wheels / TS-PC RACER**, and then select **Manual** or **FAQ**.

## HELP FILES AND FAQs (NOT INCLUDED IN THIS MANUAL)

Please visit <http://support.thrustmaster.com>. Click **Racing Wheels / TS-PC RACER**, and then select **Manual** or **FAQ**.

## COMPATIBILITY WITH THE THRUSTMASTER ECOSYSTEM

### Pedal sets

The TS-PC RACER base is compatible with:

- the **Thrustmaster T3PA** and **T3PA-PRO** pedal sets that connect directly to the connector for pedal set **(18)**.
- the Thrustmaster **DB9 PEDALS T.RJ12 ADAPTER** that enables the non-Thrustmaster pedal sets equipped with a DB9 connector to connect to the connector for pedal set **(18)**.
- **all the USB pedal sets on the market** (in games supporting MULTI-USB and USB pedal sets).

### Wheels

The TS-PC RACER base is compatible with all Thrustmaster detachable wheels, including:

- **Ferrari 599XX EVO 30 Wheel Add-On Alcantara Edition**
- **Ferrari F1 Wheel Add-On**
- **Ferrari GTE Wheel Add-On Ferrari 458 Challenge Edition**
- **TM Leather 28 GT Wheel Add-On**
- **TM Open Wheel Add-On**
- etc.

### Shifters

The TS-PC RACER base is compatible with:

- the Thrustmaster **TH8A Shifter Add-On** that connects directly to the connector for TH8A shifter **(19)** for the "Sequential (+/-)" mode, or to a USB port for the "H-pattern (7+1)" and ANALOG / HANDBRAKE modes.
- **all the USB shifters on the market** (in games supporting MULTI-USB and USB shifters).

## **CONSUMER WARRANTY INFORMATION**

Worldwide, Guillemot Corporation S.A., whose registered office is located at Place du Granier, B.P. 97143, 35571 Chantepie, France (hereinafter "Guillemot") warrants to the consumer that this Thrustmaster product shall be free from defects in materials and workmanship, for a warranty period which corresponds to the time limit to bring an action for conformity with respect to this product. In the countries of the European Union, this corresponds to a period of two (2) years from delivery of the Thrustmaster product. In other countries, the warranty period corresponds to the time limit to bring an action for conformity with respect to the Thrustmaster product according to applicable laws of the country in which the consumer was domiciled on the date of purchase of the Thrustmaster product (if no such action exists in the corresponding country, then the warranty period shall be one (1) year from the original date of purchase of the Thrustmaster product).

Notwithstanding the above, rechargeable batteries are covered by a warranty period of six (6) months from the date of original purchase.

Should the product appear to be defective during the warranty period, immediately contact Technical Support, who will indicate the procedure to follow. If the defect is confirmed, the product must be returned to its place of purchase (or any other location indicated by Technical Support).

Within the context of this warranty, the consumer's defective product shall, at Technical Support's option, be either replaced or returned to working order. If, during the warranty period, the Thrustmaster product is subject to such reconditioning, any period of at least seven (7) days during which the product is out of use shall be added to the remaining warranty period (this period runs from the date of the consumer's request for intervention or from the date on which the product in question is made available for reconditioning, if the date on which the product is made available for reconditioning is subsequent to the date of the request for intervention). If permitted under applicable law, the full liability of Guillemot and its subsidiaries (including for consequential damages) is limited to the return to working order or the replacement of the Thrustmaster product. If permitted under applicable law, Guillemot disclaims all warranties of merchantability or fitness for a particular purpose.

This warranty shall not apply: (1) if the product has been modified, opened, altered, or has suffered damage as a result of inappropriate or abusive use, negligence, an accident, normal wear, or any other cause unrelated to a material or manufacturing defect (including, but not limited to, combining the Thrustmaster product with any unsuitable element, including in particular power supplies, rechargeable batteries, chargers, or any other elements not supplied by Guillemot for this product); (2) if the product has been used for any use other than home use, including for professional or commercial purposes (game rooms, training, competitions, for example); (3) in the event of failure to comply with the instructions provided by Technical Support; (4) to software, said software being subject to a specific warranty; (5) to consumables (elements to be replaced over the product's lifespan: disposable batteries, audio headset or headphone ear pads, for example); (6) to accessories (cables, cases, pouches, bags, wrist-straps, for example); (7) if the product was sold at public auction.

This warranty is nontransferable.

The consumer's legal rights with respect to laws applicable to the sale of consumer goods in his or her country are not affected by this warranty.

### Additional warranty provisions

During the warranty period, Guillemot shall not provide, in principle, any spare parts, as Technical Support is the only party authorized to open and/or recondition any Thrustmaster product (with the exception of any reconditioning procedures which Technical Support may request that the consumer carry out, by way of written instructions – for example, due to the simplicity and the lack of confidentiality of the reconditioning process – and by providing the consumer with the required spare part(s), where applicable).

Given its innovation cycles and in order to protect its know-how and trade secrets, Guillemot shall not provide, in principle, any reconditioning notification or spare parts for any Thrustmaster product whose warranty period has expired.

In the United States of America and in Canada, this warranty is limited to the product's internal mechanism and external housing. In no event shall Guillemot or its affiliates be held liable to any third party for any consequential or incidental damages resulting from the breach of any express or implied warranties. Some States/Provinces do not allow limitation on how long an implied warranty lasts or exclusion or limitation of liability for consequential or incidental damages, so the above limitations or exclusions may not apply to you. This warranty gives you specific legal rights, and you may also have other rights which vary from State to State or Province to Province.

### Liability

If permitted under applicable law, Guillemot Corporation S.A. (hereinafter "Guillemot") and its subsidiaries disclaim all liability for any damages caused by one or more of the following: (1) the product has been modified, opened or altered; (2) failure to comply with assembly instructions; (3) inappropriate or abusive use, negligence, an accident (an impact, for example); (4) normal wear; (5) the use of the product for any use other than home use, including for professional or commercial purposes (game rooms, training, competitions, for example). If permitted under applicable law, Guillemot and its subsidiaries disclaim all liability for any damages unrelated to a material or manufacturing defect with respect to the product (including, but not limited to, any damages caused directly or indirectly by any software, or by combining the Thrustmaster product with any unsuitable element, including in particular power supplies, rechargeable batteries, chargers, or any other elements not supplied by Guillemot for this product).

**THRUSTMASTER®**

**TECHNICAL SUPPORT**

<http://support.thrustmaster.com>



## COPYRIGHT

© 2017 Guillemot Corporation S.A. All rights reserved. Thrustmaster® is a registered trademark of Guillemot Corporation S.A. All other trademarks are the property of their respective owners. Illustrations not binding. Contents, designs and specifications are subject to change without notice and may vary from one country to another. Made in China.

## ENVIRONMENTAL PROTECTION RECOMMENDATION



In the European Union: At the end of its working life, this product should not be disposed of with standard household waste, but rather dropped off at a collection point for the disposal of Waste Electrical and Electronic Equipment (WEEE) for recycling.

This is confirmed by the symbol found on the product, user manual or packaging. Depending on their characteristics, the materials may be recycled. Through recycling and other forms of processing Waste Electrical and Electronic Equipment, you can make a significant contribution towards helping to protect the

environment.

Please contact your local authorities for information on the collection point nearest you.

For all other countries: Please adhere to local recycling laws for electrical and electronic equipment.

Retain this information. Colours and decorations may vary.

Plastic fasteners and adhesives should be removed from the product before it is used.

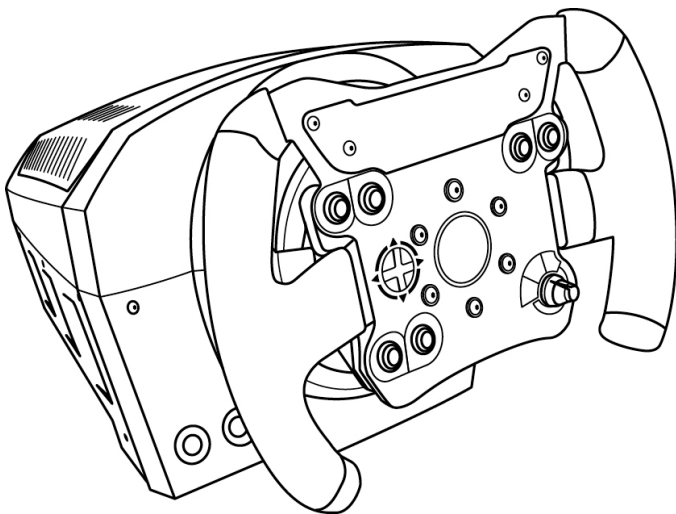
[www.thrustmaster.com](http://www.thrustmaster.com)

*\*Applicable to EU and Turkey only*



# TS-PC RACER

Manuel de l'utilisateur



EN

FR

DE

NL

IT

ES

PT

BR

RU

EL

TR

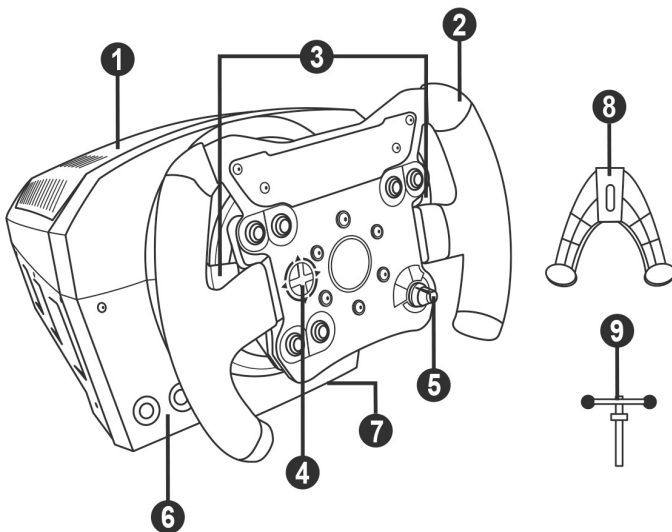
PL

繁體中文

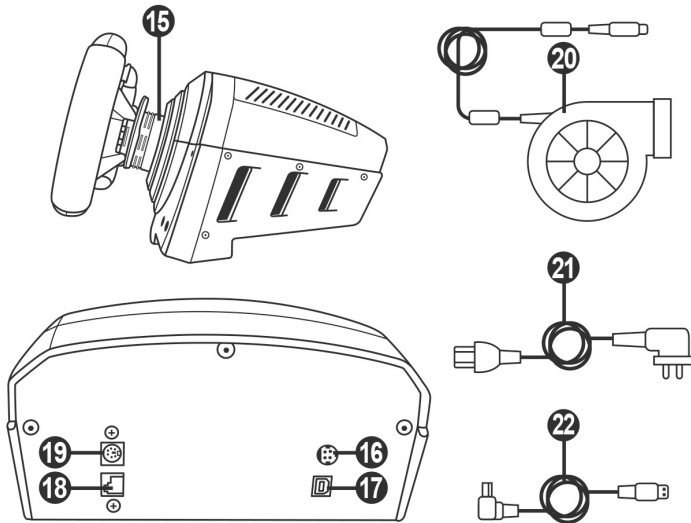
한국어



## CARACTERISTIQUES TECHNIQUES



- |  |  |
|--|--|
| 1 Base   | 6 Bouton MODE + voyant lumineux rouge/vert                           |
| 2 Roue   | 7 Gros pas de vis (pour le système de fixation et la vis de serrage) |
| 3 2 leviers séquentiels de changement de vitesse (up & down) | 8 Système de fixation  |
| 4 Croix multidirectionnelle                                  | 9 Vis de serrage métallique  |
| 5 Bouton-poussoir rotatif 3 positions                        |  |



- 15 Thrustmaster Quick Release
- 16 Connecteur pour le bloc d'alimentation TURBO POWER
- 17 Connecteur pour le câble USB amovible
- 18 Connecteur de pédalier (pédalier vendu séparément)
- 19 Connecteur pour la boîte de vitesses TH8A (boîte de vitesses vendue séparément)
- 20 Bloc d'alimentation TURBO POWER
- 21 Câble d'alimentation secteur
- 22 Câble USB amovible

### RELIER LE VOLANT AU SECTEUR = A LIRE IMPERATIVEMENT!



**Ne reliez jamais le bloc d'alimentation TURBO POWER à une prise de courant dont le voltage est différent !** Le voltage du TURBO POWER est indiqué sur l'étiquette située au-dessus du connecteur femelle du câble d'alimentation.



**Ne branchez jamais un bloc d'alimentation autre que le TURBO POWER sur la base du TS-PC RACER, même si le connecteur est compatible !** Par exemple, ne branchez jamais l'adaptateur secteur du volant T500 RS sur la base du TS-PC RACER.

## AVERTISSEMENTS

Avant d'utiliser ce produit, lisez attentivement cette documentation et conservez-la pour pouvoir la consulter ultérieurement.



### **Avertissement – Choc électrique**

- \* Conservez le produit dans un endroit sec et ne l'exposez ni à la poussière ni au soleil.
- \* Ne tordez pas et ne tirez pas sur les connecteurs et câbles.
- \* Ne renversez pas de liquide sur le produit et ses connecteurs.
- \* Ne mettez pas le produit en court-circuit.
- \* Ne démontez jamais le produit, ne le jetez pas au feu et ne l'exposez pas à des températures élevées.
- \* N'utilisez pas de câble d'alimentation autre que celui fourni avec votre volant.
- \* N'utilisez pas le câble d'alimentation secteur si celui-ci où ses connecteurs sont endommagés, fendus ou cassés.
- \* Assurez-vous que le câble d'alimentation secteur est parfaitement inséré dans la prise murale et dans son connecteur situé à l'arrière de la base du volant.
- \* N'ouvrez pas l'appareil. L'appareil ne contient pas de pièces réparables par l'utilisateur. Confiez toute réparation au fabricant, à une agence spécifiée ou un technicien qualifié.
- \* Utilisez uniquement les systèmes de fixation /accessoires spécifiés par le fabricant.
- \* Si le volant fonctionne de manière anormale (s'il émet des sons, de la chaleur ou des odeurs anormales), arrêtez immédiatement de l'utiliser, débranchez le câble d'alimentation de la prise électrique et déconnectez les autres câbles.
- \* Lorsque vous n'utilisez pas le volant pendant une période prolongée, débranchez le câble d'alimentation secteur de la prise électrique.
- \* La prise électrique doit être située à proximité de l'équipement et doit être facilement accessible.



### **Grilles d'aération**

Veillez à n'obstruer aucune grille d'aération de la base du volant. Pour assurer une ventilation optimale, respectez les points ci-après :

- \* Placez la base à 10 cm au moins d'une surface murale.
- \* Ne placez pas la base dans un endroit exigü.
- \* Ne couvrez pas la base.
- \* Ne laissez pas la poussière s'accumuler sur les grilles d'aération.



**Pour des raisons de sécurité, ne jouez pas pieds nus ou en chaussettes lorsque vous utilisez le pédalier.**

**THRUSTMASTER® DECLINE TOUTE RESPONSABILITE EN CAS DE BLESSURE SUITE A UNE UTILISATION DU PEDALIER SANS CHAUSSURES.**



### **Avertissement – Blessures dues au retour de force et aux mouvements répétitifs**

Jouer avec un volant à retour de force peut causer des douleurs aux muscles et aux articulations. Afin d'éviter tout problème :

- \* Évitez les périodes trop longues de jeu.
- \* Faites une pause de 10 à 15 minutes après chaque heure de jeu.
- \* Si vous éprouvez fatigue ou douleur au niveau des mains, des poignets, des bras, des pieds ou des jambes, cessez de jouer et reposez-vous pendant quelques heures avant de recommencer à jouer.



**Avertissement – Blessures dues au retour de force et aux mouvements répétitifs (suite)**

- \* Si les symptômes ou les douleurs indiqués ci-dessus persistent lorsque vous reprenez le jeu, arrêtez de jouer et consultez votre médecin.
- \* Laissez hors de portée des enfants.
- \* Lors des phases de jeu, laissez toujours vos deux mains correctement positionnées sur le volant sans jamais le lâcher complètement.
- \* Lors des phases de jeu, ne placez jamais vos mains ou vos doigts sous les pédales ou à proximité du pédalier.
- \* Lors des phases de calibration et de jeu, ne jamais introduire une main ou un bras à l'intérieur de la roue du volant.
- \* Vérifiez que la base du volant est correctement fixée, conformément aux instructions du manuel.

**PRODUIT LOURD**



Produit à manipuler uniquement par des personnes âgées de 16 ans ou plus



Ne pas laisser tomber le produit sur vous ou une autre personne

**TOUJOURS**



## INSTALLATION DE LA ROUE SUR SA BASE

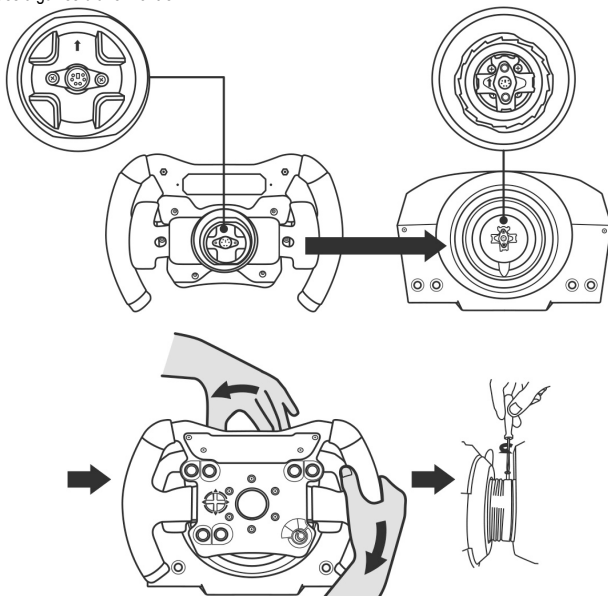
Alignez la position des connecteurs en vous aidant des flèches :

**Connecteur de la base (1):** Flèche vers le haut

**Connecteur de la roue (2):** Flèche vers le haut

Une fois les connecteurs mis en place, il vous suffit de tourner la bague du Thrustmaster Quick Release (15) dans le sens inverse des aiguilles d'une montre tout en maintenant la roue (2) fixe.

Puis serrez fortement (et au maximum) la bague en la maintenant fixe et en tournant le volant dans le sens des aiguilles d'une montre.



Lorsque la roue est installée, tournez-la de 180° (vu de face, le Logo TM doit être à l'envers) afin d'accéder à la petite vis de fixation située sur la bague du Thrustmaster Quick Release (15). A l'aide d'un gros tournevis cruciforme, vissez sans forcer la petite vis de fixation dans le sens des aiguilles d'une montre.



Lorsque vous revissez la petite vis de fixation à l'aide d'un tournevis cruciforme, **NE FORCEZ PAS.**

Arrêtez de visser dès que vous sentez une résistance.

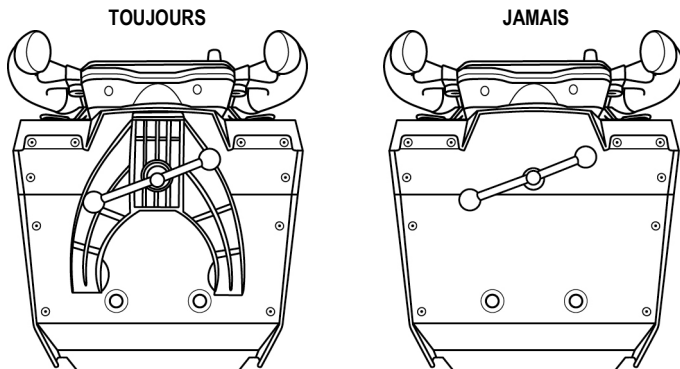
## FIXATION DU VOLANT

### Fixer la base du volant sur un cockpit

1. Placez la base du volant sur la tablette du cockpit
2. Vissez 2 vis M6 (non fournies) dans la tablette du cockpit et dans les 2 petits pas de vis situés sous le volant.  
*Important : La longueur de ces 2 vis M6 ne doit pas dépasser l'épaisseur de votre support +12 mm pour ne pas endommager les composants internes à la base.*
3. Si nécessaire, vissez en plus le système de fixation classique (dans le gros pas de vis).

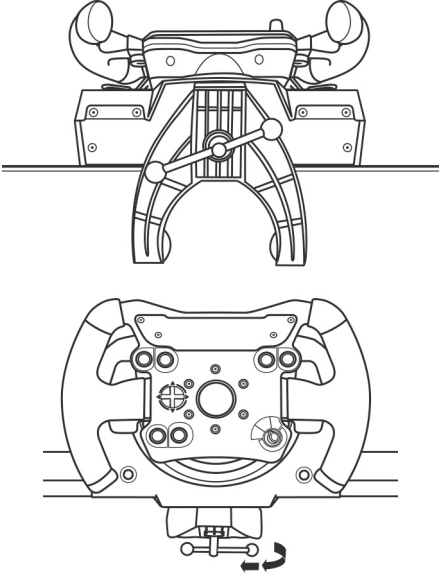
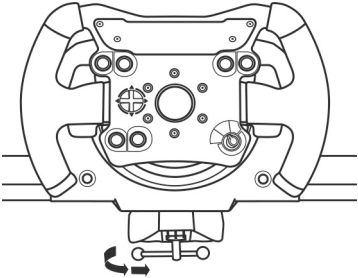
### Fixer le volant sur une table ou un bureau

1. Placez le volant sur une table ou autre surface plane.
2. Placez la vis de serrage (9) dans le système de fixation (8), puis vissez l'ensemble (dans le sens inverse des aiguilles d'une montre) dans le gros pas de vis (7) situé sous le volant, jusqu'à ce que ce dernier soit parfaitement stable.



#### **ATTENTION :**

- Ne vissez jamais la vis de serrage seule sans le système de fixation (cela risque de détériorer le volant).

MONTAGE / DEMONTAGE	SENS
<p><b><u>Pour serrer :</u></b></p> <p><i>Vissez dans le sens inverse des aiguilles d'une montre</i></p>	
<p><b><u>Pour desserrer :</u></b></p> <p><i>Dévissez dans le sens des aiguilles d'une montre</i></p>	

## INSTALLATION SUR PC

1. Allez sur <http://support.thrustmaster.com> pour télécharger les pilotes et le logiciel Force Feedback pour PC. Cliquez sur PC / Volants / TS-PC RACER puis Pilotes.

2. Une fois le téléchargement terminé, lancez l'installation, puis suivez les instructions affichées à l'écran pour brancher le connecteur USB du volant sur votre PC et pour terminer l'installation.

3. Une fois l'installation terminée, cliquez sur Terminer et redémarrez votre ordinateur.

4. Sélectionnez Démarrer / Tous les programmes / Thrustmaster / FFB Racing Wheel / Panneau de configuration pour ouvrir la fenêtre Contrôleurs de jeu.

La fenêtre Contrôleurs de jeu affiche le nom du volant TS-PC RACER avec l'état OK.

5. Cliquez sur Propriétés pour configurer votre volant dans le panneau de configuration du TS-PC RACER :

- Onglet Test du périphérique : permet de tester et visualiser les boutons, la croix multidirectionnelle, les axes du volant et du pédalier, et d'ajuster l'angle de rotation du volant dans vos jeux PC.
- Onglet Tester les forces : permet de tester 12 effets de retour de force.
- Onglet Ajuster les forces : permet d'ajuster la puissance des effets de retour de force dans vos jeux PC.

Vous êtes maintenant prêt à jouer !

### Remarques générales :

- Sur PC, pensez à toujours fermer complètement la fenêtre Contrôleurs de jeu en cliquant sur OK avant de lancer votre jeu.

- La version du firmware de votre volant apparaît en haut à droite dans les onglets du panneau de configuration.

## METTRE A JOUR LE FIRMWARE DU VOLANT

Le firmware inclus dans la base du volant peut être mis à jour (ce qui signifie qu'il peut être mis à jour par des versions plus récentes comportant des améliorations produits).

Pour afficher la version de firmware de votre volant et le mettre à jour si nécessaire : sur PC, allez sur <http://support.thrustmaster.com>, cliquez sur **Volants / TS-PC RACER** puis **Firmware** et suivez les instructions et la procédure de téléchargement et d'installation.



## CALIBRAGE AUTOMATIQUE DU VOLANT

La roue du volant s'autocalibre de manière automatique une fois le volant relié au secteur et le connecteur USB connecté.

Cette opération entraîne des mouvements rapides du volant de gauche à droite sur 1080° avant de s'immobiliser au centre.



### ATTENTION :

**Lors des phases d'autocalibration de la roue du volant, ne jamais toucher au volant (au risque de fausser la calibration ou de se blesser).**

### Si votre volant ne fonctionne pas correctement ou semble mal calibré :

Eteignez votre PC, déconnectez entièrement votre volant, reconnectez tous les câbles (avec le câble d'alimentation secteur et le pédalier), redémarrez et relancez votre jeu.

## SYSTEME DE REFROIDISSEMENT INTERNE DE LA BASE

Le système de refroidissement interne de la base :

- se met en marche dès que le volant est allumé.
- s'éteint après quelques minutes d'inactivité lorsque la température interne est redescendue à un faible niveau.
- se remet en marche dès que vous bougez le volant.

## BOUTON MODE ET SON VOYANT LUMINEUX (6)

### Bouton MODE pour le pédalier

Vous pouvez inverser électroniquement la pédale d'accélérateur et d'embrayage si vous utilisez un pédalier Thrustmaster T3PA ou T3PA-PRO qui est relié au connecteur du pédalier (18),

Pour ce faire, appuyez simplement sur le bouton MODE (6) pendant 2 secondes.

L'inversion ou non des pédales est alors instantanément enregistrée dans la mémoire interne du volant.

PEDALE D'ACCELERATEUR ET D'EMBRAYAGE	Couleur du voyant lumineux MODE (6)
NORMALE	ROUGE
INVERSEE	VERT

### Autres astuces pour le bouton MODE

Pour profiter d'autres astuces concernant le bouton MODE et son voyant lumineux, allez sur <http://support.thrustmaster.com>. Cliquez sur **Volants / TS-PC RACER** puis **Manuel utilisateur** ou **FAQ**.

## AIDES & FAQ DIVERSES (non notifiées dans ce manuel)

Allez sur <http://support.thrustmaster.com>. Cliquez sur **Volants / TS-PC RACER** puis **Manuel utilisateur** ou **FAQ**.

# COMPATIBILITE AVEC L'ECOSYSTEME THRUSTMASTER

## Pédaliers

La base du TS-PC RACER est compatible avec :

- les pédaliers **Thrustmaster T3PA** et **T3PA-PRO** qui se branchent directement sur le connecteur de pédalier **(18)** de la base.
- l'adaptateur Thrustmaster **DB9 PEDALS T.RJ12 ADAPTER** qui permet aux pédaliers non-Thrustmaster équipés d'un connecteur DB9 de se brancher directement sur le connecteur de pédalier **(18)** de la base.
- **tous les pédaliers USB du marché** (dans les jeux acceptant le multi-USB et les pédaliers USB).

## Roues

La base du TS-PC RACER est compatible avec toutes les roues détachables Thrustmaster, par exemple :

- **Ferrari 599XX EVO 30 Wheel Add-On Alcantara Edition**
- **Ferrari F1 Wheel Add-On**
- **Ferrari GTE Wheel Add-On Ferrari 458 Challenge Edition**
- **TM Leather 28 GT Wheel Add-On**
- **TM Open Wheel Add-On**
- etc.

## Boîtes de vitesses

La base du TS-PC RACER est compatible avec :

- la boîte de vitesses Thrustmaster **TH8A Shifter Add-On** qui se branche directement sur le connecteur de boîte de vitesses **(19)** de la base pour le mode « Séquentiel (+/-) » ou en USB pour le mode « H (7+1) » et le mode ANALOG / FREIN A MAIN.
- **toutes les boîtes de vitesses USB du marché** (dans les jeux acceptant le multi-USB et les boîtes de vitesses USB).

EN

FR

DE

NL

IT

ES

PT

BR

RU

EL

TR

PL

繁體中文

한국어

## INFORMATIONS RELATIVES A LA GARANTIE AUX CONSOMMATEURS

Dans le monde entier, Guillemot Corporation S.A., ayant son siège social Place du Granier, B.P. 97143, 35571 Chantepie, France (ci-après « Guillemot ») garantit au consommateur que le présent produit Thrustmaster est exempt de défaut matériel et de vice de fabrication, et ce, pour une période de garantie qui correspond au délai pour intenter une action en conformité de ce produit. Dans les pays de l'Union Européenne, ce délai est de deux (2) ans à compter de la délivrance du produit Thrustmaster. Dans les autres pays, la durée de la période de garantie correspond au délai pour intenter une action en conformité du produit Thrustmaster selon la législation en vigueur dans le pays où le consommateur avait son domicile lors de l'achat du produit Thrustmaster (si une telle action en conformité n'existe pas dans ce pays alors la période de garantie est de un (1) an à compter de la date d'achat d'origine du produit Thrustmaster).

Si, au cours de la période de garantie, le produit semble défectueux, contactez immédiatement le Support Technique qui vous indiquera la procédure à suivre. Si le défaut est confirmé, le produit devra être retourné à son lieu d'achat (ou tout autre lieu indiqué par le Support Technique).

Dans le cadre de la garantie, le consommateur bénéficiera, au choix du Support Technique, d'un remplacement ou d'une remise en état de marche du produit défectueux. Si, pendant la période de garantie, le produit Thrustmaster fait l'objet d'une telle remise en état, toute période d'immobilisation d'au moins sept jours vient s'ajouter à la durée de la garantie qui restait à courir (cette période court à compter de la demande d'intervention du consommateur ou de la mise à disposition pour remise en état du produit en cause, si cette mise à disposition est postérieure à la demande d'intervention). Lorsque la loi applicable l'autorise, toute responsabilité de Guillemot et ses filiales (y compris pour les dommages indirects) se limite à la remise en état de marche ou au remplacement du produit Thrustmaster. Lorsque la loi applicable l'autorise, Guillemot exclut toutes garanties de qualité marchande ou d'adaptation à un usage particulier.

Cette garantie ne s'appliquera pas : (1) si le produit a été modifié, ouvert, altéré, ou a subi des dommages résultant d'une utilisation inappropriée ou abusive, d'une négligence, d'un accident, de l'usure normale, ou de toute autre cause non liée à un défaut matériel ou à un vice de fabrication (y compris, mais non limitativement, une combinaison du produit Thrustmaster avec tout élément inadapté, notamment alimentations électriques, batteries, chargeurs, ou tous autres éléments non-fournis par Guillemot pour ce produit) ; (2) si le produit a été utilisé en dehors du cadre privé, à des fins professionnelles ou commerciales (salles de jeu, formations, compétitions, par exemple). (3) en cas de non respect des instructions du Support Technique ; (4) aux logiciels, lesdits logiciels faisant l'objet d'une garantie spécifique ; (5) aux consommables (éléments à remplacer pendant la durée de vie du produit : piles, coussinets de casque audio, par exemple) ; (6) aux accessoires (câbles, étuis, housses, sacs, dragonnes, par exemple) ; (7) si le produit a été vendu aux enchères publiques.

Cette garantie n'est pas transférable.

Les droits légaux du consommateur au titre de la législation applicable dans son pays à la vente de biens de consommation ne sont pas affectés par la présente garantie.

Par exemple, en France, indépendamment de la présente garantie, le vendeur reste tenu de la garantie légale de conformité mentionnée aux articles L. 217-4 à L.217-12 du code de la consommation et de celle relative aux défauts (vices cachés) de la chose vendue, dans les conditions prévues aux articles 1641 à 1648 et 2232 du code civil. La loi applicable (c'est-à-dire la loi française) impose de reproduire les extraits de la loi française suivants :

Article L. 217-4 du code de la consommation :

*Le vendeur livre un bien conforme au contrat et répond des défauts de conformité existant lors de la délivrance.*

*Il répond également des défauts de conformité résultant de l'emballage, des instructions de montage ou de l'installation lorsque celle-ci a été mise à sa charge par le contrat ou a été réalisée sous sa responsabilité.*

Article L. 217-5 du code de la consommation :

*Le bien est conforme au contrat :*

*1° S'il est propre à l'usage habituellement attendu d'un bien semblable et, le cas échéant :*

*- s'il correspond à la description donnée par le vendeur et possède les qualités que celui-ci a présentées à l'acheteur sous forme d'échantillon ou de modèle ;*

*- s'il présente les qualités qu'un acheteur peut légitimement attendre eu égard aux déclarations publiques faites par le vendeur, par le producteur ou par son représentant, notamment dans la publicité ou l'étiquetage ;*

*2° Ou s'il présente les caractéristiques définies d'un commun accord par les parties ou est propre à tout usage spécial recherché par l'acheteur, porté à la connaissance du vendeur et que ce dernier a accepté.*

Article L. 217-12 du code de la consommation :

*L'action résultant du défaut de conformité se prescrit par deux ans à compter de la délivrance du bien.*

Article L. 217-16 du code de la consommation :

*Lorsque l'acheteur demande au vendeur, pendant le cours de la garantie commerciale qui lui a été consentie lors de l'acquisition ou de la réparation d'un bien meuble, une remise en état couverte par la garantie, toute période d'immobilisation d'au moins sept jours vient s'ajouter à la durée de la garantie qui restait à courir.*

Cette période court à compter de la demande d'intervention de l'acheteur ou de la mise à disposition pour réparation du bien en cause, si cette mise à disposition est postérieure à la demande d'intervention.

Article L. 1641 du code civil:

Le vendeur est tenu de la garantie à raison des défauts cachés de la chose vendue qui la rendent impropre à l'usage auquel on la destine, ou qui diminuent tellement cet usage que l'acheteur ne l'aurait pas acquise, ou n'en aurait donné qu'un moindre prix, s'il les avait connus.

Article L. 1648 alinéa 1<sup>er</sup> du code civil:

L'action résultant des vices rédhibitoires doit être intentée par l'acquéreur dans un délai de deux ans à compter de la découverte du vice.

#### Stipulations additionnelles à la garantie

Pendant la période de garantie, Guillemot ne fournira, en principe, pas de pièce détachée car le Support Technique est seul habilité tant à ouvrir qu'à remettre en état tout produit Thrustmaster (à l'exception des remises en état que le Support Technique demanderait, par instructions écrites, au consommateur d'effectuer -par exemple en raison de la simplicité et de l'absence de confidentialité du processus de remise en état-, en lui fournissant, le cas échéant, la ou les pièces détachées nécessaires).

Compte tenu de ses cycles d'innovation et pour préserver ses savoir-faire et secrets, Guillemot ne fournira, en principe, ni notice de remise en état, ni pièce détachée pour tout produit Thrustmaster dont la période de garantie est expirée.

Aux États-Unis d'Amérique et au Canada, la présente garantie est limitée au mécanisme interne et au boîtier externe du produit. En aucun cas, Guillemot ou ses sociétés affiliées ne sauraient être tenues responsables envers qui ce soit de tous dommages indirects ou dommages accessoires résultant du non respect des garanties expresses ou implicites. Certains États/Provinces n'autorisent pas la limitation sur la durée d'une garantie implicite, ou l'exclusion ou la limitation de responsabilité pour les dommages indirects ou accessoires, de sorte que les limitations ou exclusions ci-dessus peuvent ne pas vous être applicables. Cette garantie vous confère des droits spécifiques ; vous pouvez également bénéficier d'autres droits qui peuvent différer d'un État/Province à l'autre.

#### Responsabilité

Lorsque la loi applicable l'autorise, Guillemot Corporation S.A. (ci-après « Guillemot ») et ses filiales excluent toute responsabilité pour tous dommages causés par un ou plusieurs des faits suivants: (1) le produit a été modifié, ouvert, altéré, (2) l'irrespect des instructions de montage, (3) l'utilisation inappropriée ou abusive, la négligence, l'accident (un choc, par exemple), (4) l'usure normale du produit, (5) l'utilisation du produit en dehors du cadre privé, à des fins professionnelles ou commerciales (salles de jeu, formations, compétitions, par exemple). Lorsque la loi applicable l'autorise, Guillemot et ses filiales excluent toute responsabilité pour tout dommage dont la cause n'est pas liée à un défaut matériel ou à un vice de fabrication du produit (y compris, mais non limitativement, tout dommage causé directement ou indirectement par tout logiciel, ou par une combinaison du produit Thrustmaster avec tout élément inadapté, notamment alimentations électriques, batteries, chargeurs, ou tous autres éléments non-fournis par Guillemot pour ce produit).

**THRUSTMASTER®**

**SUPPORT TECHNIQUE**

<http://support.thrustmaster.com>



## COPYRIGHT

© 2017 Guillemot Corporation S.A. Tous droits réservés. Thrustmaster® est une marque déposée de Guillemot Corporation S.A. Toutes les autres marques sont la propriété de leurs propriétaires respectifs. Illustrations non contractuelles. Le contenu, la conception et les spécifications sont susceptibles de changer sans préavis et de varier selon les pays. Fabriqué en Chine.

## RECOMMANDATION RELATIVE A LA PROTECTION DE L'ENVIRONNEMENT



\* Dans l'Union Européenne : En fin de vie, ce produit ne doit pas être éliminé avec les déchets ménagers normaux mais déposé à un point de collecte des déchets d'équipements électriques et électroniques en vue de son recyclage.

Ceci est confirmé par le symbole figurant sur le produit, le manuel utilisateur ou l'emballage.

En fonction de leurs caractéristiques, les matériaux peuvent être recyclés. Par le recyclage et par les autres formes de valorisation des déchets d'équipements électriques et électroniques, vous contribuez de manière significative à la protection de l'environnement. Veuillez consulter les autorités locales qui vous indiqueront le point de collecte concerné.

Dans les autres pays : Veuillez vous reporter aux législations locales relatives au recyclage des équipements électriques et électroniques.

Informations à conserver. Les couleurs et décorations peuvent varier.

Il est recommandé de retirer les attaches en plastique et les adhésifs avant d'utiliser le produit.

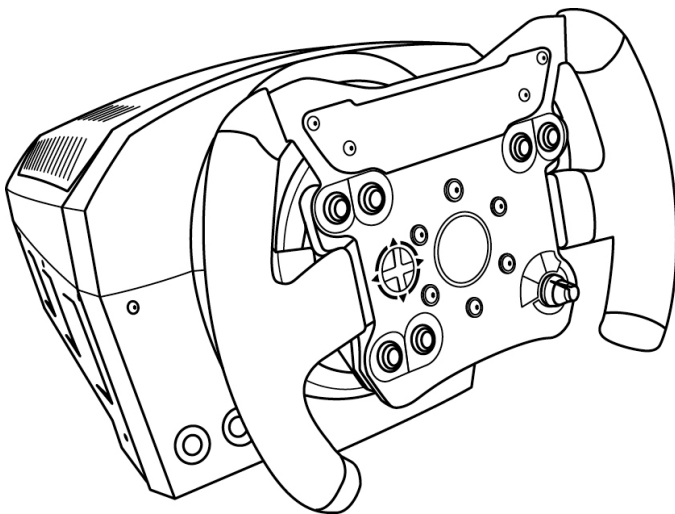
[www.thrustmaster.com](http://www.thrustmaster.com)

*\*Applicable à l'UE et la Turquie uniquement*

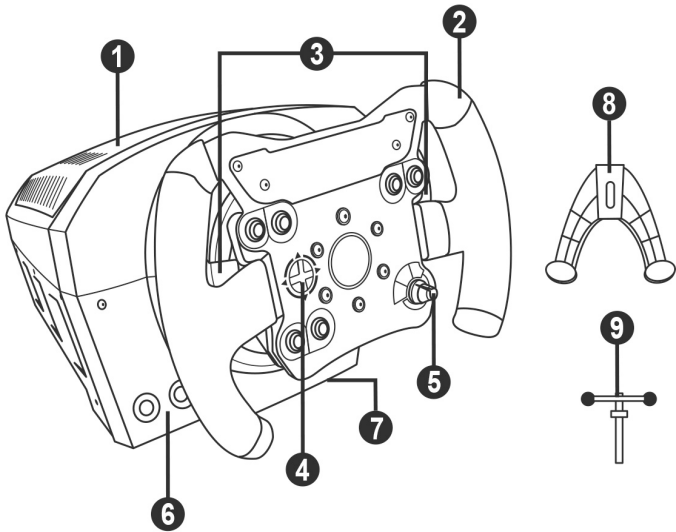


# TS-PC RACER

Benutzerhandbuch

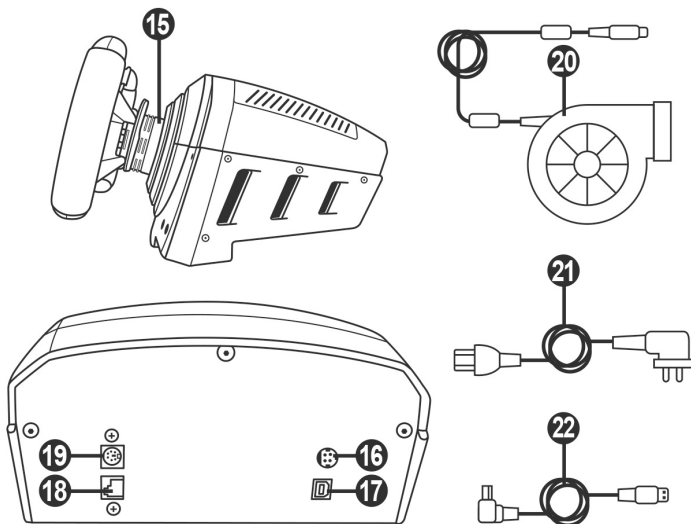


## TECHNISCHE FEATURES



- 1 Basis
- 2 Lenkrad
- 3 2 sequentielle Schaltwippen (Gang hoch & Gang runter)
- 4 D-Pad
- 5 Drehschalter mit Druckfunktion

- 6 MODE Button + rote/ grüne Kontrollleuchte
- 7 Großes Gewindeloch (für Befestigungssystem und -schraube)
- 8 Befestigungshilfe
- 9 Metallschraubenzieher



- |    |  |    |  |
|----|--|----|--|
| 15 | Thrustmaster Quick Release                             | 19 | Anschluß für TH8A-Gangschaltung<br>(Gangschaltung wird separat verkauft) |
| 16 | Anschluß für TURBO POWER-Netzteil                      | 20 | TURBO POWER-Netzteil   |
| 17 | Anschluß für abnehmbares USB-Kabel                     | 21 | Stromkabel   |
| 18 | Anschluß für Pedalset (Pedalset wird separat verkauft) | 22 | Abnehmbares USB-Kabel  |

### DAS RENNLENKRAD AM STROMNETZ ANSCHLIEßEN: BITTE AUFMERKSAM LESEN!



**Niemals den Stecker des TURBO POWER-Netzteils in eine Steckdose mit einer anderen Spannung stecken!** Die zu nutzende Spannung des TURBO POWER-Netzteils ist oberhalb des weiblichen Steckers des Stromkabels angegeben.



**Niemals ein anderes Netzteil als das TURBO POWER-Netzteil an die TS-PC RACER-Basis anschließen.** Auch dann nicht, wenn der Stecker des anderen Netzteils kompatibel ist! Zum Beispiel nicht das Netzteil des T500RS an die TS-PC RACER-Basis anschließen!



## WARNHINWEISE

Bevor Sie dieses Produkt benutzen, lesen Sie bitte diese Dokumentation sorgfältig durch und bewahren Sie diese sicher auf, falls Sie später etwas nachlesen müssen.



### **Warnung – elektrischer Schlag**

- \* Lagern Sie das Produkt an einem trockenen Ort und setzen Sie es weder Staub noch direktem Sonnenlicht aus.
- \* Verdrehen Sie keine Kabel oder ziehen direkt an deren Steckern.
- \* Schütten Sie keine Flüssigkeiten auf das Produkt oder dessen Anschlüsse.
- \* Schließen Sie das Produkt nicht kurz.
- \* Zerlegen Sie das Produkt niemals, werfen es ins Feuer oder setzen es hohen Temperaturen aus.
- \* Nutzen Sie kein anderes Stromkabel als das mitgelieferte.
- \* Nutzen Sie das Stromkabel nicht, wenn dieses oder dessen Stecker brüchig oder beschädigt ist.
- \* Stellen Sie sicher, daß das Netzkabel richtig in die Steckdose gesteckt wurde und korrekt mit dem rückwärtigen Anschluss an der Rennlenkradbasis verbunden ist.
- \* Öffnen Sie niemals das Rennlenkrad. Es befinden sich keine vom Benutzer austauschbare Teile im Innern. Jedwede Reparaturen müssen von einer vom Hersteller angegebenen Werkstatt oder einem qualifizierten Techniker ausgeführt werden.
- \* Nutzen Sie ausschließlich vom Hersteller empfohlene Befestigungssysteme/ Accessoires.
- \* Falls das Lenkrad sich ungewöhnlich verhält (seltsame Geräusche, Hitze oder Gerüche abgibt), stoppen Sie sofort dessen Benutzung, trennen das Stromkabel vom Netz und ziehen alle anderen Kabel ab.
- \* Sollten Sie das Lenkrad für eine längere Zeit nicht benutzen, trennen Sie diesen vom Stromnetz.
- \* Die Steckdose sollte sich in der Nähe des Rennlenkrades befinden und leicht zugänglich sein.



### **Lüftungsschlitze**

Achten Sie darauf, keine der Lüftungsschlitze an der Lenkradbasis zu verdecken. Für eine optimale Belüftung beachten Sie bitte die folgenden Hinweise:

- \* Stellen Sie die Basis mindestens 10 cm entfernt von Wänden auf.
- \* Stellen Sie die Basis nicht in engen Zwischenräumen auf.
- \* Decken Sie die Basis niemals ab.
- \* Vermeiden Sie auf jeden Fall Staubbildung an den Lüftungsschlitzen.



**Benutzen Sie aus Sicherheitsgründen das Pedalset niemals barfuß oder in Socken.  
THRUSTMASTER® ÜBERNIMMT KEINERLEI HAFTUNG BEI VERLETZUNGEN DURCH  
EINSATZ DES PEDALSETS OHNE SCHUHE.**



### **Warnung - Verletzungen durch Force Feedback und wiederholte Bewegungen**

Spielen mit einem Force-Feedback-Lenkrad kann Muskel- oder Gelenkschmerzen verursachen. Um Probleme zu vermeiden:

- \* Vermeiden Sie längere Spielzeiten.
- \* Pausieren Sie für 10 bis 15 Minuten nach einer Stunde Spiel.
- \* Wenn Sie Müdigkeit oder Anzeichen von Schmerzen in den Händen, Handgelenken, Armen, Beinen oder Füßen fühlen, unterbrechen Sie das Spiel und ruhen für ein paar Stunden, bevor Sie wieder zu Spielen beginnen.



**Achtung – Verletzungen durch Force Feedback und wiederholte Bewegungen (Fortsetzung)**

- \* Wenn Sie wieder zu spielen beginnen und die oben beschriebenen Symptome oder Schmerzen weiterbestehen, unterbrechen Sie das Spiel und konsultieren Sie Ihren Arzt.
- \* Außerhalb der Reichweite von Kindern aufbewahren.
- \* Lassen Sie immer beide Hände während des Spielens am Lenkrad positioniert, ohne dieses völlig loszulassen.
- \* Plazieren Sie Ihre Hände oder Finger während des Spielens niemals unter die Pedale oder in deren Nähe.
- \* Stecken Sie weder Ihren Arm noch Ihre Hand während der Kalibrierung oder im Spiel durch die Speichen des Lenkkranzes.
- \* Überprüfen Sie den festen Sitz der Lenkradbasis entsprechend der Anleitungen dieses Handbuchs.



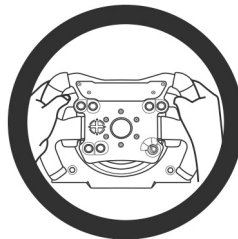
Produkt nur für den Gebrauch von Personen  
über 16 Jahre oder älter

**SCHWERES PRODUKT**



Lassen Sie das Produkt niemals auf sich  
oder andere fallen!

**IMMER**



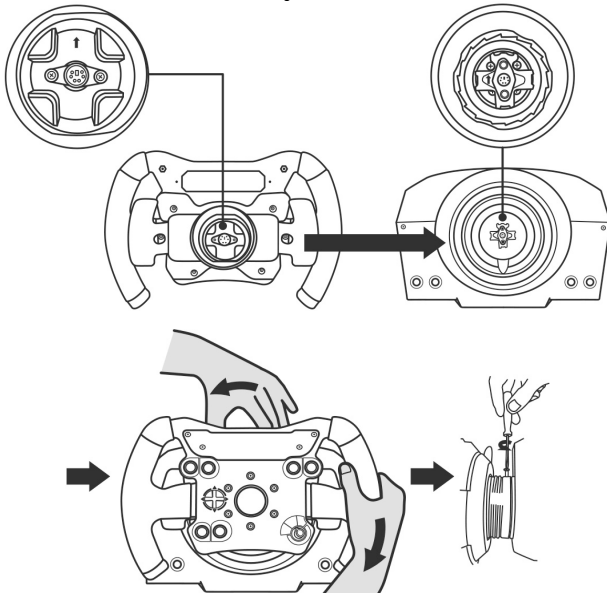
## MONTAGE DES RENNLENKRADS AUF DESSEN BASIS

Richten Sie die Positionen der Anschlüsse mittels der Pfeile aus:

**Basisanschluss (1):** Pfeil zeigt nach oben

**Rennlenkradanschluss (2):** Pfeil zeigt nach oben

Sind die Anschlüsse korrekt positioniert, drehen Sie einfach den Thrustmaster Quick Release (15)-Ring des Gerätes entgegen dem Uhrzeigersinn, während Sie das Rennlenkrad (2) in Position halten. Drehen Sie dann den Ring, soweit Sie können. Um dies zu bewerkstelligen, halten Sie den Ring in Position und drehen das Rennlenkrad im Uhrzeigersinn.



Nach dem Montieren Ihres Rennlenkrads drehen Sie diesen um 180° (mit Blick auf das Lenkrad sollte das TM Logo aufrecht stehen), um die kleine Befestigungsschraube am Ring des Thrustmaster Quick Release (15) zu erreichen. Mittels eines großen Kreuzschlitz-Schraubendrehers ziehen Sie die kleine Schraube im Uhrzeigersinn fest. Bitte üben Sie dabei keine exzessive Kraft aus.



**Wenn Sie einen Akkuschaubenzieher benutzen, dann versichern Sie sich bitte, dass Sie nicht mit unnötiger bzw. zu viel Kraft die Befestigungsschraube anziehen!**

**Stoppen Sie das Festziehen der Schraube, wenn Sie einen Widerstand bemerken.**

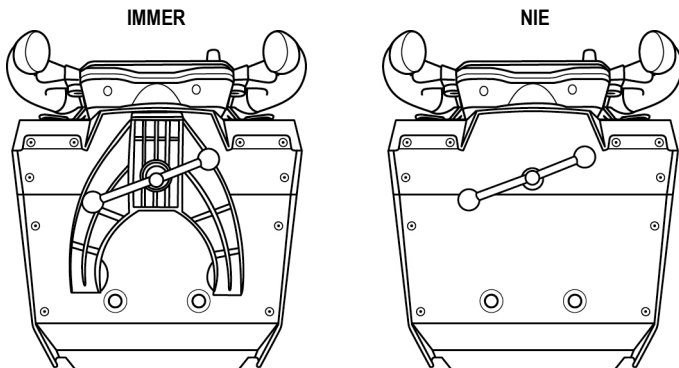
# BEFESTIGEN DES RENNLENKRADS

## Montage der Basis des Rennlenkrads in einem Cockpit

1. Platzieren Sie die Basis des Rennlenkrads auf der Cockpit-Ablage.
2. Drehen Sie zwei M6 Schrauben (nicht enthalten) in Löcher in der Cockpit-Ablage und führen diese in die beiden kleinen Schraubgewinde unterhalb des Rennlenkrads ein.  
*Achtung:* Die Länge der beiden M6 Schrauben sollte die Dicke der Ablage plus zusätzlich 12 mm nicht überschreiten. Längere Schrauben könnten die internen Komponenten der Lenkradbasis beschädigen.
3. Falls erforderlich, schrauben Sie das Standard-Befestigungssystem mittels der Befestigungsschraube für das große Schraubgewinde an.

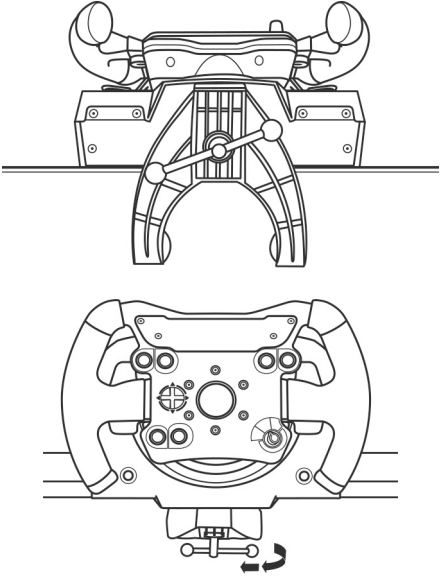
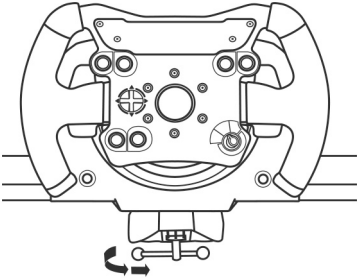
## Befestigen Sie das Rennlenkrad auf einem Tisch oder Schreibtisch

1. Platzieren Sie das Lenkrad auf einem Tisch oder einer anderen waagerechten, ebenen und stabilen Oberfläche.
2. Stecken Sie die Befestigungsschraube (9) in das Befestigungssystem (8). Ziehen Sie dann die Schraube entgegen dem Uhrzeigersinn im Schraubgewinde (7) unterhalb des Geräts an, bis das Lenkrad sicher und perfekt stabil auf der Oberfläche montiert ist.



### **ACHTUNG:**

- Ziehen Sie die Schraube niemals ohne das Befestigungssystem fest! (Dies könnte Ihr Rennlenkrad beschädigen).

MONTAGE / ABMONTIEREN	RICHTUNG
<p><b>Montieren:</b></p> <p><i>Drehen der Schraube entgegen dem Uhrzeigersinn</i></p>	
<p><b>Entfernen:</b></p> <p><i>Drehen der Schraube im Uhrzeigersinn</i></p>	

## EINRICHTUNG DES RENNLENKRADS FÜR DEN PC

1. Gehen Sie auf die Webseite: <http://support.thrustmaster.com> um die Treiber und die Force-Feedback-Software für den PC runter zu laden. Klicken Sie auf: Rennlenkräder / TS-PC RACER, dann wählen Sie "Treiber".

2. Wenn der Download komplett ist, beginnen Sie die Installation und folgen bitte den Anweisungen auf dem Bildschirm, indem Sie den USB-Stecker des Rennlenkrads mit ihrem PC verbinden. Damit ist die Installation abgeschlossen.

3. Wenn die Installation abgeschlossen ist, klicken Sie auf "Beenden" und starten Ihren Computer neu.

4. Wählen Sie: Start / Alle Programme / Thrustmaster / FFB Rennlenkrad / Control Panel um das Fenster des Game-Controllers zu öffnen.

Das Fenster des Game-Controllers zeigt den Namen des Rennlenkrads an: Thrustmaster TS-PC RACER zusammen mit dem Status: OK.

5. Klicken Sie auf "Eigenschaften" um Ihr Lenkrad im TS-PC RACER-Control Panel zu konfigurieren:

- TAB "Test Eingabe": führt einen Test der Action-Buttons, der Richtungs-Buttons und des Rennlenkrads durch und überprüft die Pedalachsen und den Drehwinkel des Lenkrads im PC-Spiel. Ermöglicht ebenso das Einstellen des Drehwinkels.

- TAB "Test Forces": 12 Force Feedback-Effekte werden überprüft.

- TAB "Gain Settings": hiermit kann die Stärke der Force Feedback-Effekte eingestellt werden.

Jetzt kann es losgehen!

### Allgemeine Hinweise:

- Bevor Sie das Spiel starten, klicken Sie bitte auf "OK" um das Game Controller-Fenster zu schließen.

- Die aktuelle Firmwareversion des Rennlenkrads wird in der rechten oberen Ecke des Control Panel bei den TABs angezeigt.

## AKTUALISIEREN DER FIRMWARE IHRES RENNLENKRADS

Die in Ihrer Rennlenkradbasis enthaltene Firmware kann durch eine aktuellere Firmware aktualisiert werden, die die neuesten Produktverbesserungen enthält.

Um die aktuelle Version der Firmware Ihres Rennlenkrads anzuzeigen und um zu überprüfen, ob eine Aktualisierung eventuell verfügbar ist, rufen Sie auf Ihrem PC die Website <http://support.thrustmaster.com> auf. Dann klicken Sie auf **Lenkräder / TS-PC RACER**, wählen **Firmware** aus und folgen den Anweisungen zum Download und der Installation.

## AUTOMATISCHE RENNLENKRAD-KALIBRIERUNG

Das Rennlenkrad kalibriert sich automatisch und selbstständig beim Anschluss desselben an die Stromversorgung und bei Anschluß des USB-Kabels an den USB-Anschluss an der Konsole. Während dieser Phase dreht sich der Lenkkranz schnell nach rechts und links und deckt dabei einen Rotationswinkel von 1080° ab. Danach stoppt der Lenkkranz in der mittigen Position.



### **WARNUNG:**

**Berühren Sie das Rennlenkrad niemals während der Kalibrierungsphase  
(Dies kann zu Kalibrierungsfehlern und/oder Verletzungen führen.)**

**Falls Ihr Lenkrad nicht korrekt funktioniert oder die Kalibrierung nicht richtig gemacht worden ist:**

Schalten Sie den PC aus und ziehen Sie alle Kabel aus dem Rennlenkrad. Dann stecken Sie wieder alle Kabel an (inklusive des Netzkabels und dem Kabel zum Pedalset) und starten Ihren PC und das Spiel neu.

## INTERNE KÜHLUNG FÜR DIE BASIS DES LENKRADS

Das interne Kühlungssystem der Basis des Rennlenkrades

- schaltet sich ebenfalls ein, wenn das Lenkrad eingeschaltet wird.
- schaltet sich nach ein paar Minuten Inaktivität aus, wenn die interne Temperatur des Motors sich auf einem niedrigen Level befindet.
- schaltet sich wieder an, wenn das Lenkrad wieder benutzt wird.

## MODE-BUTTON UND LEUCHTANZEIGE (6)

### MODE-Button für das Pedalset

Sie können die Gas- und Kupplungspedale elektronisch vertauschen, wenn Sie das Thrustmaster T3PA- oder T3PA-PRO- Pedalset an die Verbindung für das Pedalset angeschlossen haben.

Um dies zu bewerkstelligen, drücken Sie einfach den MODE-Button (6) für 2 Sekunden.

Der interne Speicher des Rennlenkrads speichert, ob die Pedale vertauscht wurden oder nicht.

GAS- UND KUPPLUNGSPEDALE	Farbe der MODE Leuchtanzeige (10)
NORMAL	ROT
VERTAUSCHT	GRÜN

### Zusätzliche Hinweise für den MODE-Button

Um mehr über den MODE-Button und die Leuchtanzeige zu erfahren, besuchen Sie bitte die Website <http://support.thrustmaster.com>. Dann klicken Sie auf **Lenkräder / TS-PC RACER** und wählen dann **Benutzerhandbuch** oder **FAQ** aus.

## HILFE UND FAQs (NICHT IM HANDBUCH ENHALTEN)

Bitte besuchen Sie <http://support.thrustmaster.com>. Dann klicken Sie auf **Rennlenkräder / TS-PC RACER** und wählen **Manual** oder **FAQ**.

# KOMPATIBILITÄT MIT DEM THRUSTMASTER-ECOSYSTEM

## Pedal-Sets

Die TS-PC RACER-Basis ist kompatibel mit:

- dem **Thrustmaster T3PA-** und **T3PA-PRO**-Pedalsets, die direkt mit dem Pedalset verbunden werden können (**18**).
- dem Thrustmaster **DB9 PEDALS T.RJ12 ADAPTER**, der es ermöglicht, Pedalsets, die nicht von Thrustmaster sind und über einen DB9-Stecker verfügen, mit dem Pedalset zu verbinden (**18**).
- **allen USB-Pedalsets, die sich auf dem Markt befinden** (in Spielen, die MULTI-USB- und USB-Pedalsets unterstützen).

## Lenkräder

Die TS-PC RACER-Basis ist kompatibel mit allen abnehmbaren Thrustmaster Lenkrädern:

- **Ferrari 599XX EVO 30 Wheel Add-On Alcantara Edition**
- **Ferrari F1 Wheel Add-On**
- **Ferrari GTE Wheel Add-On Ferrari 458 Challenge Edition**
- **TM Leather 28 GT Wheel Add-On**
- **TM Open Wheel Add-On**
- etc.

## Gangschaltungen

Die TS-PC RACER-Basis ist kompatibel mit:

- dem Thrustmaster **TH8A Shifter Add-On**, das direkt mit der TH8A-Gangschaltung (**19**) im "Sequential (+/-)"-Modus verbunden werden kann oder an einen USB-Port für die "H-pattern (7+1)" und ANALOG / HANDBRAKE-Modi.
- **allen am Markt verfügbaren USB-Gangschaltungen** (in Spielen, die MULTI-USB- und USB-Pedalsets unterstützen).



## **Kunden-Garantie-Information**

Guillemot Corporation S.A. mit Hauptfirmensitz in Place du Granier, B.P. 97143, 35571 Chantepie, France (fortfolgend "Guillemot") garantiert Kunden weltweit, daß dieses Thrustmaster Produkt frei von Mängeln in Material und Verarbeitung für eine Gewährleistungsfrist ist, die mit der Frist für eine Mängelrüge bezüglich des Produktes übereinstimmt. In den Ländern der Europäischen Union entspricht diese einem Zeitraum von zwei (2) Jahren ab Kaufdatum des Thrustmaster Produktes. In anderen Ländern entspricht die Gewährleistungsfrist der zeitlichen Begrenzung für eine Mängelrüge bezüglich des Thrustmaster Produktes in Übereinstimmung mit anwendbarem Recht des Landes, in dem der Kunde zum Zeitpunkt des Erwerbs eines Thrustmaster Produktes wohnhaft ist. Sollte eine entsprechende Regelung in dem entsprechenden Land nicht existieren, umfasst die Gewährleistungspflicht einen Zeitraum von einem (1) Jahr ab dem originären Kaufdatum des Thrustmaster Produktes.

Sollten bei dem Produkt innerhalb der Gewährleistungsfrist Defekte auftreten, kontaktieren Sie unverzüglich den technischen Kundendienst, der die weitere Vorgehensweise anzeigt. Wurde der Defekt bestätigt, muß das Produkt an die Verkaufsstelle (oder an eine andere Stelle, je nach Maßgabe des technischen Kundendienstes) retourniert werden.

Im Rahmen dieser Garantie sollte das defekte Produkt des Kunden, je nach Entscheidung des technischen Kundendienstes, entweder ausgetauscht oder repariert werden. Sollte während der Garantiezeit das Thrustmaster Produkt einer derartigen Instandsetzung unterliegen und das Produkt während eines Zeitraums von mindestens sieben (7) Tagen nicht benutzbar sein, wird diese Zeit der restlichen Garantiezeit hinzugefügt. Diese Frist läuft ab dem Zeitpunkt, an dem der Wunsch des Verbrauchers bezüglich einer Intervention vorliegt oder ab dem Tag, an dem das fragliche Produkt zur Instandsetzung zur Verfügung steht, falls das Datum, an dem das Produkt zur Instandsetzung zur Verfügung steht, dem Datum des Antrags auf Intervention nachfolgt. Wenn nach geltendem Recht zulässig, beschränkt sich die volle Haftung von Guillemot und ihrer Tochtergesellschaften auf die Reparatur oder den Austausch des Thrustmaster Produktes (inklusive Folgeschäden). Wenn nach geltendem Recht zulässig, lehnt Guillemot alle Gewährleistungen der Marktgängigkeit oder Eignung für einen bestimmten Zweck ab.

Der Gewährleistungsanspruch verfällt: (1) Falls das Produkt modifiziert, geöffnet, verändert oder ein Schaden durch unsachgemäßen oder missbräuchlichen Gebrauch hervorgerufen wurde, sowie durch Fahrlässigkeit, einen Unfall, Verschleiß oder irgendeinem anderen Grund – aber nicht durch Material- oder Herstellungsfehler (einschließlich, aber nicht beschränkt auf, die Kombination der Thrustmaster Produkte mit ungeeigneten Elementen, insbesondere Netzteile, Akkus, Ladegeräte, oder andere Elemente, die von Guillemot für dieses Produkt nicht mitgeliefert wurden); (2) Falls das Produkt für eine andere Nutzung als zum privaten Hausgebrauch, einschließlich für professionelle oder kommerzielle Zwecke (z. B. Spielhallen, Training, Wettkämpfe) verwendet wird; (3) Im Falle der Nichteinhaltung der durch den technischen Support erteilten Anweisungen; (4) Durch Software. Die besagte Software ist Gegenstand einer speziellen Garantie; (5) Bei Verbrauchsmaterialien (Elemente, die während der Produktlebensdauer ausgetauscht werden, wie z. B. Einwegbatterien, Ohrpolster für ein Audioheadset oder für Kopfhörer); (6) Bei Accessoires (z. B. Kabel, Etuis, Taschen, Beutel, Handgelenk-Riemen); (7) Falls das Produkt in einer öffentlichen Versteigerung verkauft wurde. Diese Garantie ist nicht übertragbar.

Die Rechte des Kunden in Übereinstimmung mit anwendbarem Recht bezüglich des Verkaufs auf Konsumgüter im Land der/der Kunden/Kundin wird durch diese Garantie nicht beeinträchtigt.

### Zusätzliche Gewährleistungsbestimmungen

Während der Garantiezeit bietet Guillemot grundsätzlich keine Ersatzteile an, da der technische Kundendienst der einzige autorisierte Partner zum Öffnen und/oder Instandsetzen jedweden Thrustmaster-Produkts ist (mit Ausnahme von irgendwelchen Instandsetzungsprozeduren, die der Kunde nach Maßgabe des technischen Kundendienstes und durch schriftliche Instruktionen sowie der Zurverfügungstellung des/der eventuell erforderlichen Ersatzteil(s)(e) selbst in der Lage ist durchzuführen – zum Beispiel aufgrund der Einfachheit und einer nicht erforderlichen Geheimhaltung des Instandsetzungsverfahrens).

Aufgrund seiner Innovationszyklen und um sein Know-how und seine Geschäftsgeheimnisse zu schützen, bietet Guillemot grundsätzlich keine Instandsetzungs-Benachrichtigung oder Ersatzteile für alle Thrustmaster Produkte an, deren Garantiezeit abgelaufen ist.

### Haftung

Wenn nach dem anwendbaren Recht zulässig, lehnen Guillemot Corporation S.A. (fortfolgend "Guillemot") und ihre Tochtergesellschaften jegliche Haftung für Schäden, die auf eine oder mehrere der folgenden Ursachen zurückzuführen sind, ab: (1) das Produkt wurde modifiziert, geöffnet oder geändert; (2) Nichtbefolgung der Montageanleitung; (3) unangebrachte Nutzung, Fahrlässigkeit, Unfall (z. B. ein Aufprall); (4) normalem Verschleiß; (5) Die Verwendung des Produkts für jedwede andere Nutzung als zum privaten Hausgebrauch, einschließlich professionelle oder kommerzielle Zwecke (z. B. Spielhallen, Training, Wettkämpfe). Wenn nach anwendbarem Recht zulässig, lehnen Guillemot und seine Niederlassungen jegliche Haftung für Schäden, die nicht auf einen Material- oder Herstellungsfehler in Bezug auf das Produkt beruhen (einschließlich, aber nicht beschränkt auf, etwaige Schäden, die direkt oder indirekt durch Software oder durch die Kombination der Thrustmaster Produkte mit ungeeigneten Elementen, insbesondere Netzteile, Akkus, Ladegeräte, oder andere Elemente, die von Guillemot für dieses Produkt nicht geliefert wurden), ab.

**THRUSTMASTER®**

**TECHNISCHER SUPPORT**

<http://support.thrustmaster.com>



## COPYRIGHT

© Guillemot Corporation S.A. 2017. Alle Rechte vorbehalten. Thrustmaster® ist ein eingetragenes Warenzeichen der Guillemot Corporation S.A. Alle anderen Handelsmarken sind im Besitz Ihrer jeweiligen Eigentümer. Illustrationen nicht verbindlich. Inhalte, Design und Spezifikationen können ohne vorherige Ankündigung geändert werden und können von Land zu Land unterschiedlich sein. Hergestellt in China.

### Hinweise zum Umweltschutz



In der Europäischen Union: Dieses Produkt darf nach Ende seiner Lebensdauer nicht über den Hausmüll entsorgt werden, sondern muss an einem Sammelpunkt für das Recycling von elektrischen und elektronischen Geräten abgegeben werden.

Das Symbol auf dem Produkt, der Gebrauchsanleitung oder der Verpackung weist darauf hin.

Die Werkstoffe sind gemäß ihrer Kennzeichnung wiederverwertbar. Mit der Wiederverwertung, der stofflichen Verwertung oder anderen Formen von Altgeräten leisten Sie einen wichtigen Beitrag zum Schutz unserer Umwelt. Bitte erfragen Sie bei der Gemeindeverwaltung die zuständige Entsorgungsstelle.

Für alle anderen Länder: Bitte beachten Sie die lokalen Entsorgungsrichtlinien/-Gesetze bezüglich elektrischen und elektronischen Equipments.

Wichtige Informationen. Die Farben und Verzierungen können abweichen.  
Plastikhalterungen und Aufkleber bitte vor der Nutzung des Produktes entfernen.

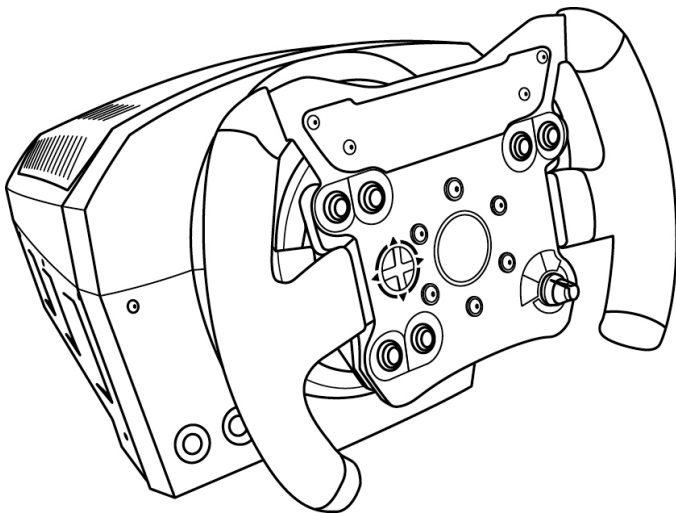
[www.thrustmaster.com](http://www.thrustmaster.com)

Nur in der EU und der Türkei anwendbar

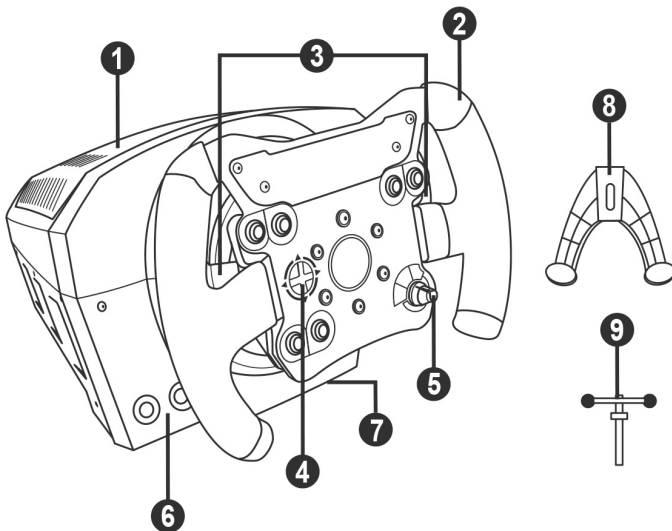


# TS-PC RACER

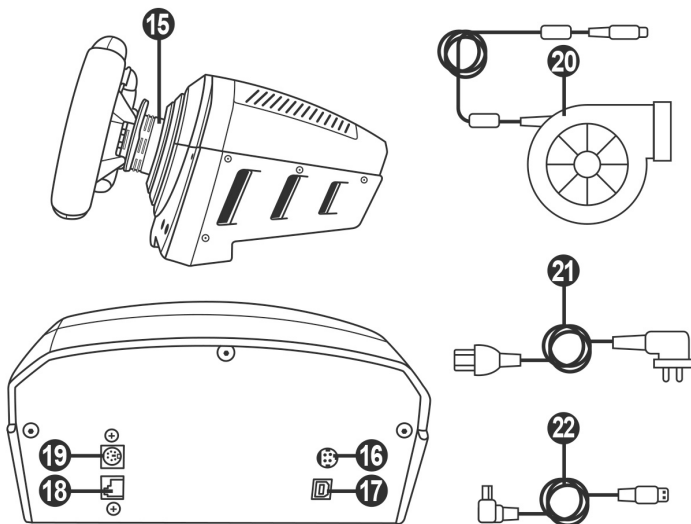
Handleiding



## TECHNISCHE SPECIFICATIES



- |   |   |
|---|---|
| 1 Voet  | 6 MODE-knop + rood/groen indicatielampje                  |
| 2 Stuur   | 7 Groot schroefgat (voor bevestigingssysteem en -schroef) |
| 3 2 sequentiële schakelflippers (op- en terugschakelen) | 8 Bevestigingssysteem                                     |
| 4 D-pad   | 9 Metalen bevestigingsschroef                             |
| 5 Draaischakelaar met drukfunctie                       |   |



- |   |  |
|---|--|
| <b>15</b> Thrustmaster Quick Release                                | <b>19</b> Connector voor TH8A-Shifters (pook wordt apart verkocht) |
| <b>16</b> Connector voor TURBO POWER-voeding                        | <b>20</b> TURBO POWER-voeding                                      |
| <b>17</b> Connector voor verwijderbare USB-kabel                    | <b>21</b> Kabel voor voeding                                       |
| <b>18</b> Connector voor pedaalset (pedaalset wordt apart verkocht) | <b>22</b> Verwijderbare USB-kabel                                  |

### HET RACESTUUR AANSLUITEN OP EEN STOPCONTACT: LEES DEZE INFORMATIE AANDACHTIG DOOR



**Sluit de TURBO POWER-voeding nooit aan op een stopcontact met een ander voltage dan waarvoor de voeding geschikt is. Het voltage van de TURBO POWER-voeding staat vermeld op het etiket boven de vrouwjesconnector voor de voedingskabel.**



**Sluit nooit een andere voeding dan de TURBO POWER-voeding aan op de voet van de TS-PC-RACER, zelfs als de connector compatibel is. Sluit bijvoorbeeld nooit de voeding van het T500 RS-stuur aan op de T-PC-RACER voet.**

## WAARSCHUWING

Lees, voordat u dit product gebruikt, deze handleiding zorgvuldig door en bewaar hem om eventueel op een later tijdstip te kunnen raadplegen.



### **Waarschuwing – Elektrische schok**

- \* Berg dit product op een droge plek op, uit de zon en stofvrij.
- \* Trek nooit te hard aan een kabel of connector en zorg dat er geen knikken in kabels komen.
- \* Mors geen vloeistoffen op het product of op een connector.
- \* Veroorzaak geen kortsluiting.
- \* Haal het product nooit uit elkaar, gooi het niet in het vuur en stel het niet bloot aan hoge temperaturen.
- \* Gebruik geen andere netstroomkabel dan de kabel meegeleverd bij het racestuur.
- \* Gebruik de netstroomkabel nooit als de kabel, de stekkers of de connectoren zijn beschadigd, gespleten of gebroken.
- \* Controleer dat de netstroomkabel correct is aangesloten op het stopcontact en correct is aangesloten op de achterzijde van de voet van het racestuur.
- \* Maak het stuur niet open. Er bevinden zich geen door de gebruiker te onderhouden of repareren onderdelen in. Alle reparaties dienen te worden uitgevoerd door de fabrikant, haar bevoegde vertegenwoordiger of een gekwalificeerd technicus.
- \* Gebruik alleen door de fabrikant goedgekeurde hulpstukken en accessoires.
- \* Als het racestuur zich vreemd gedraagt, bijvoorbeeld door rare geluiden te maken, heet te worden of te stinken, stop dan onmiddellijk met het gebruik, haal de stekker uit het stopcontact en maak alle andere kabels los.
- \* Als het racestuur langere tijd niet wordt gebruikt, haal dan de stekker uit het stopcontact.
- \* Het stopcontact moet in de buurt van de apparatuur zijn en moet goed bereikbaar zijn.



### **Ventilatieopeningen**

Blokkeer nooit de ventilatieopeningen op de voet van het stuur. Aanwijzingen voor optimale ventilatie:

- \* Plaats de voet van het stuur minimaal 10 cm van een muur.
- \* Plaats de voet niet in een krappe ruimte.
- \* Leg nooit iets over de voet heen.
- \* Zorg dat de ventilatieopeningen stofvrij blijven.



**Om veiligheidsredenen mogen de pedalen nooit met blote voeten worden bediend of met alleen sokken aan.**

**THRUSTMASTER® WIJST ELKE VERANTWOORDELIJKHEID AF IN GEVAL VAN LETSEL ALS GEVOLG VAN HET GEBRUIK VAN DE PEDAALSET ZONDER SCHOENEN AAN.**



### **Waarschuwing – Mogelijk letsel ten gevolge van Force Feedback en repetitieve bewegingen**

Gamen met een Force Feedback-stuur kan leiden tot pijn in de gewrichten of de spieren. Hoe voorkomt u problemen:

- \* Vermijd langdurige gamesessies.
- \* Neem na elk uur gamen een pauze van 10 tot 15 minuten.
- \* Stop met gamen bij last van vermoeidheid of pijn in handen, polsen, armen, voeten of benen, en rust een paar uur voordat u weer verder gaat met gamen.



**Waarschuwing – Mogelijk letsel ten gevolge van Force Feedback en repetitieve bewegingen (vervolg)**

- \* Stop al het gamen als de beschreven symptomen van pijn of ongemak blijven aanhouden tijdens het gamen en raadpleeg een huisarts.
- \* Houd het stuur, de voet en de pedaalset buiten het bereik van kinderen.
- \* Houd tijdens het gamen altijd twee handen in de juiste stand aan het stuur en laat het stuur nooit helemaal los.
- \* Zorg er tijdens het gamen voor dat handen of vingers nooit in de buurt van of onder de pedalen of de pedaalset komen.
- \* Steek tijdens het kalibreren en gamen nooit een vinger, hand of arm door de openingen van het racestuur.
- \* Zorg er voor dat de voet van het racestuur stevig vast zit, zoals beschreven in deze handleiding.



Product mag alleen worden verplaatst door gebruikers van 16 jaar of ouder

**ZWAAR PRODUCT**



Wees voorzichtig en laat het product niet op uzelf of iemand anders vallen!

**ALTIJD**





## HET RACESTUUR INSTALLEREN OP DE VOET

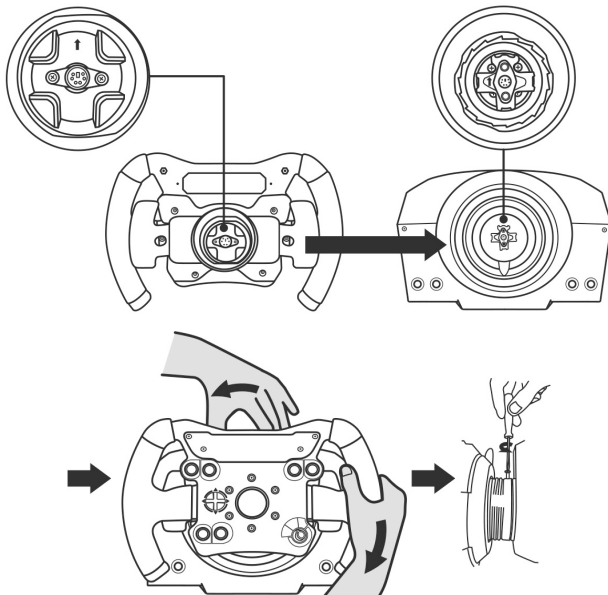
Positioneer de connectoren met behulp van de pijlen:

**Connector op voet (1):** pijl die omhoog wijst

**Connector op stuur (2):** pijl die omhoog wijst

Draai als de connectoren correct zijn gepositioneerd de ring van de Thrustmaster Quick Release (15) op zijn plaats tegen de wijzers van de klok in terwijl u het racestuur vasthoudt (2).

Draai vervolgens de ring zo strak mogelijk vast door deze op zijn plaats te houden en het stuur met de wijzers van de klok mee te draaien.



Zodra u het racestuur hebt geïnstalleerd, draait u het 180° om (kijkend naar het stuur, moet het Thrustmaster-logo nu ondersteboven staan) voor toegang tot de kleine bevestigingsschroef onder op de Thrustmaster Quick Release (15). Gebruik een grote kruiskopschroevendraaier om de kleine bevestigingsschroef met de wijzers van de klok mee vast te draaien (gebruik geen overmatige kracht).



**Oefen geen overmatige kracht uit bij het met de kruiskopschroevendraaier aandraaien van de kleine bevestigingsschroef.**

**Stop met het aandraaien van de schroef zodra u enige weerstand voelt.**

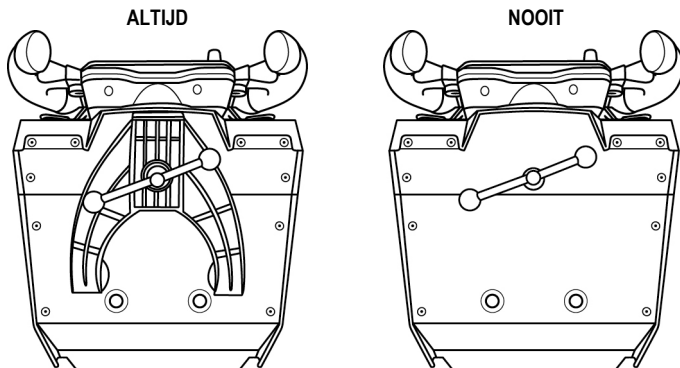
# HET RACESTUUR BEVESTIGEN

## De voet van het racestuur aan een cockpit bevestigen

1. Plaats de voet van het racestuur op het cockpitpaneel.
2. Draai twee M6-schroeven (niet meegeleverd) door het cockpitpaneel en in de twee kleine schroefgaten aan de onderkant van het racestuur.  
*Belangrijk: de M6-schroeven mogen niet langer zijn dan de dikte van het paneel + 12 mm. Langere schroeven kunnen de componenten in de voet van het racestuur beschadigen.*
3. Zet indien nodig het standaardbevestigingssysteem vast door de bevestigingsschroef in het grote schroefgat te draaien.

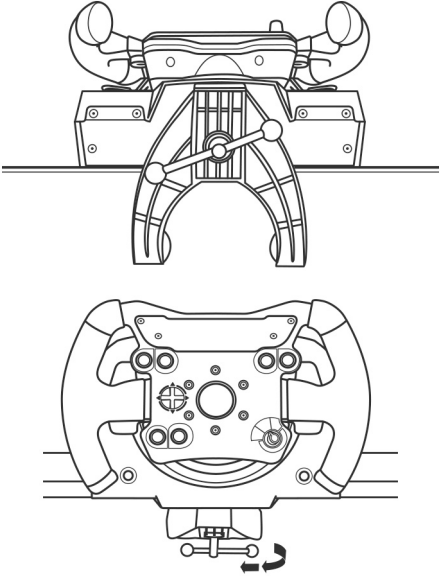
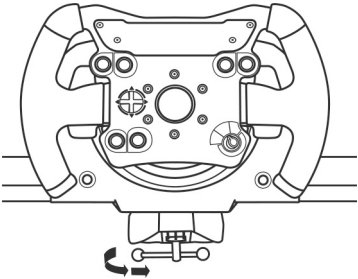
## Het racestuur op een tafel of werkblad bevestigen

1. Plaats het racestuur op een tafel of een ander horizontaal, vlak en stabiel oppervlak.
2. Plaats de bevestigingsschroef (9) in het bevestigingssysteem (8) en draai de schroef aan (tegen de klok in) zodat deze vast komt te zitten in het schroefgat (7) onder het racestuur en het stuur volledig stabiel is.



### WAARSCHUWING:

- Draai de schroef nooit in het racestuur zonder het bevestigingssysteem! Dit kan het stuur beschadigen.

BEVESTIGEN / VERWIJDEREN	RICHTING
<p><b><u>Vastdraaien:</u></b></p> <p><i>Draai de schroef linksom vast (tegen de wijzers van de klok mee).</i></p>	
<p><b><u>Losdraaien:</u></b></p> <p><i>Draai de schroef rechtsom los (met de wijzers van de klok mee).</i></p>	

## HET RACESTUUR INSTALLEREN OP UW PC

1. Ga naar <http://support.thrustmaster.com> en download de drivers en de Force Feedback software voor de PC. Klik op Racing Wheels / TS-PC RACER en selecteer Drivers.
2. Start de installatie nadat de download is voltooid en volg de instructies op het scherm om de USB-stekker van het stuur aan te sluiten op uw computer en de installatie te voltooien.
3. Klik nadat de installatieprocedure is afgerond op Voltoeien om de computer opnieuw te starten.
4. Kies Start / Alle programma's / Thrustmaster / FFB Racing Wheel / Configuratiescherm om het venster Game Controllers te openen.

Het venster Game Controllers geeft Thrustmaster TS-PC RACER weer als naam voor het racestuur samen met de status OK.

5. Klik op Eigenschappen om het stuur te configureren in het TS-PC RACER configuratiescherm:

- Tabblad "Test Input": hiermee kunnen de actieknoppen, richtingsknoppen, het stuur en de pedaalassen getest en bekeken worden. Ook is het mogelijk de draaihoek van het stuur in PC-games aan te passen.
- Tabblad "Test Forces": hiermee kunnen 12 Force Feedback effecten worden getest.
- Tabblad "Gain Settings": hiermee kan de kracht van de Force Feedback effecten in PC-games worden aangepast.

### ***Nu kan er gespeeld worden!***

#### Algemene opmerkingen:

- Klik op de PC op OK om het venster Game Controllers te sluiten voordat u de game start.
- De firmwareversie van het stuur wordt weergegeven in de rechterbovenhoek op de tabbladen van het configuratiescherm.

## DE FIRMWARE VAN HET RACESTUUR BIJWERKEN

De firmware in de voet van het racestuur kan worden bijgewerkt naar een nieuwere verbeterde versie wanneer een dergelijke versie beschikbaar komt.

Om de huidige versie van de firmware van het racestuur weer te geven en deze bij te werken indien gewenst, gaat u op een PC naar <http://support.thrustmaster.com>. Klik op **Racing Wheels / TS-PC RACER**, selecteer **Firmware** en volg de instructies voor het downloaden en installeren.

## HET RACESTUUR AUTOMATISCH KALIBREREN

Het stuur kalibreert zichzelf automatisch wanneer u de van het stuur op een stopcontact aansluit en de USB-connector van het stuur aansluit.

Tijdens deze kalibratie zal het stuur snel 1080 graden linksom en rechtsom draaien voordat het stopt in de middenstand.



### **WAARSCHUWING:**

Tijdens het automatisch kalibreren mag u het stuur niet aanraken.

*(Raakt u het stuur toch aan, dan kan dit leiden tot een onjuiste kalibratie en/of persoonlijk letsel).*

**Als het racestuur niet goed werkt of niet goed gekalibreerd lijkt te zijn:**

zet de PC uit en koppel alle aansluitingen van het stuur los. Sluit daarna alle kabels weer aan, inclusief de voedingskabel en een eventuele pedaalsset, en herstart de PC en de game.

## INTERN KOELSYSTEEM VOOR DE VOET VAN HET STUUR

De interne koeling van de voet van het stuur

- begint te werken wanneer het stuur wordt aan gezet.
- schakelt uit na een paar minuten inactiviteit wanneer de interne temperatuur tot een bepaald laag niveau is gezakt.
- schakelt weer in wanneer u het stuur gebruikt.

## MODE-KNOP EN INDICATORLAMPJE (6)

### MODE-knop voor de pedaalsset

U kunt het gaspedaal en het koppelingspedaal elektronisch verwisselen als u een Thrustmaster T3PA of T3PA-PRO pedaalsset gebruikt die is aangesloten op de connector voor de pedaalsset (18).

Dit doet u door de MODE-knop (6) twee seconden ingedrukt te houden.

De door u ingestelde functie van de pedalen wordt opgeslagen in het interne geheugen van het racestuur.

GASPEDAAL EN KOPPELINGSPEDAAL	Kleur van de MODE-indicator (6)
NORMAAL	ROOD
VERWISSELD	GROEN

### Meer functies van de MODE-knop

Ga voor meer informatie over de MODE-knop en het indicatorlampje naar <http://support.thrustmaster.com>. Klik op **Racing Wheels / TS-PC RACER** en selecteer vervolgens **Manual** of **FAQ**.

## HELPPBESTANDEN EN FAQs (NIET OPGENOMEN IN DEZE HANDLEIDING)

Ga naar <http://support.thrustmaster.com>. Klik op **Racing Wheels / TS-PC RACER** en selecteer vervolgens **Manual** of **FAQ**.

# COMPATIBILITEIT MET HET THRUSTMASTER-ECOSYSTEEM

## Pedaalsets

De TS-PC RACER voet is compatibel met:

- de Thrustmaster **T3PA** en **T3PA-PRO** pedaalsets die rechtstreeks zijn aan te sluiten op de connector voor de pedaalsset **(18)**.
- de Thrustmaster **DB9 PEDALS T.RJ12 ADAPTER** waarmee pedaalsets van een andere fabrikant die voorzien zijn van een DB9-connector aangesloten kunnen worden op de pedaalssetconnector **(18)**.
- **alle verkrijgbare USB-pedaalsets** (in games die MULTI-USB en USB-pedaalsets ondersteunen).

## Racesturen

De TS-PC RACER voet base is compatibel met alle afneembare sturen van Thrustmaster waaronder de:

- **Ferrari 599XX EVO 30 Wheel Add-On Alcantara Edition**
- **Ferrari F1 Wheel Add-On**
- **Ferrari GTE Wheel Add-On Ferrari 458 Challenge Edition**
- **TM Leather 28 GT Wheel Add-On**
- **TM Open Wheel Add-On**

## Schakelpoken

De TS-PC RACER voet is compatibel met:

- de Thrustmaster **TH8A Shifter Add-On** die rechtstreeks is aan te sluiten op de connector voor de TH8A Shifter **(19)** voor het "Sequentieel (+/-)" schakelen, of op een USB-poort voor het "H-patroon (7+1)" schakelen en de ANALOG / HANDBRAKE modi.
- **alle verkrijgbare USB-schakelpoken** (in games die MULTI-USB en USB-poken ondersteunen).

EN

FR

DE

NL

IT

ES

PT

BR

RU

EL

TR

PL

繁體中文

한국어

## **Informatie met betrekking tot kopersgarantie**

Wereldwijd garandeert Guillemot Corporation S.A., het statutair adres gevestigd aan de Place du Granier, B.P. 97143, 35571 Chantepie, Frankrijk, (hierna te noemen "Guillemot") aan de koper dat dit Thrustmaster-product vrij zal zijn van materiaal- en fabricagefouten gedurende een garantieperiode gelijk aan de tijd maximaal vereist om een restitutie/vervanging voor dit product te claimen. In landen van de Europese Unie komt dit overeen met een periode van twee (2) jaar vanaf het moment van levering van het Thrustmaster-product. In andere landen komt de garantieperiode overeen met de tijd maximaal vereist om een restitutie/vervanging voor dit Thrustmaster-product te claimen zoals wettelijk is vastgelegd in het land waarin de koper woonachtig was op de datum van aankoop van het Thrustmaster-product. Indien een dergelijk claimrecht niet wettelijk is vastgelegd in het betreffende land, geldt een garantieperiode van één (1) jaar vanaf datum aankoop van het Thrustmaster-product.

Indien u in de garantieperiode een defect meent te constateren aan dit product, neem dan onmiddellijk contact op met Technical Support die u zal informeren over de te volgen procedure. Als het defect wordt bevestigd, dient het product te worden geretourneerd naar de plaats van aankoop (of een andere locatie die wordt opgegeven door Technical Support).

Binnen het gestelde van deze garantie wordt het defecte product van de koper gerepareerd of vervangen, zulks ter beoordeling van Technical Support. Indien het Thrustmaster-product tijdens de garantieperiode is onderworpen aan een dergelijk herstel, wordt elke periode van ten minste zeven (7) dagen waarin het product niet in gebruik is, opgeteld bij de resterende garantieperiode (deze periode loopt vanaf de datum van verzoek van de consument voor interventie of vanaf de datum waarop het product in kwestie beschikbaar is gesteld voor herstel als de datum waarop het product ter beschikking wordt gesteld voor herstel later is dan de datum van het verzoek om interventie). Indien toegestaan door van toepassing zijnde wetgeving, beperkt de volledige aansprakelijkheid van Guillemot en haar dochterondernemingen (inclusief de aansprakelijkheid voor vervolgschade) zich tot het repareren of vervangen van het Thrustmaster-product. Indien toegestaan door van toepassing zijnde wetgeving, wijst Guillemot elke garantie af met betrekking tot verhandelbaarheid of geschiktheid voor enig doel.

Deze garantie is niet van kracht: (1) indien het product aangepast, geopend of gewijzigd is, of beschadigd is ten gevolge van oneigenlijk of onvoorzichtig gebruik, verwaarlozing, een ongeluk, normale slijtage, of enige andere oorzaak die niet gerelateerd is aan een materiaal- of fabricagefout (inclusief maar niet beperkt tot het combineren van het Thrustmaster-product met enig ongeschikt element waaronder in het bijzonder voedingsadapters, oplaadbare batterijen, opladers of enig ander element niet geleverd door Guillemot voor dit product); (2) als het product is gebruikt voor enig ander doel dan thuisgebruik, zoals maar niet exclusief een professioneel of commercieel doel (bijvoorbeeld game rooms, training, wedstrijden); (3) indien u zich niet houdt aan de instructies zoals verstrekt door Technical Support; (4) op software die onder een specifieke garantie valt; (5) op verbruiksartikelen (elementen die tijdens de levensduur van het product worden vervangen zoals bijvoorbeeld batterijen of pads van een headset of koptelefoon); (6) op accessoires (zoals bijvoorbeeld kabels, behuizingen, hoesjes, etui's, draagtassen of polsbandjes); (7) indien het product werd verkocht op een openbare veiling.

Deze garantie is niet overdraagbaar.

De wettelijke rechten van de koper die in zijn/haar land van toepassing zijn op de verkoop van consumentproducten worden op generlei wijze door deze garantie beperkt.

### Aanvullende garantiebepalingen

Gedurende de garantieperiode zal Guillemot in principe nooit reserveonderdelen leveren omdat Technical Support de enige partij is die bevoegd is een Thrustmaster-product te openen en/of te herstellen (met uitzondering van een herstelprocedure die de klant door Technical Support gevraagd wordt uit te voeren met behulp van schriftelijke instructies – omdat deze procedure bijvoorbeeld eenvoudig is en het herstelproces niet vertrouwelijk is – en door het verstrekken aan de consument van de benodigde onderdelen, indien van toepassing).

Gezien de innovatiecycli en om haar knowhow en handelsgeheimen te beschermen, zal Guillemot in principe nooit een herstelbeschrijving of reserveonderdelen verstrekken voor een Thrustmaster-product waarvan de garantieperiode is verstreken.

### Aansprakelijkheid

Indien toegestaan door van toepassing zijnde wetgeving, wijzen Guillemot Corporation S.A. (hierna te noemen "Guillemot") en haar dochterondernemingen alle aansprakelijkheid af voor enige schade veroorzaakt door één van de volgende oorzaken: (1) indien het product aangepast, geopend of gewijzigd is; (2) de montage-instructies niet zijn opgevolgd; (3) oneigenlijk of onvoorzichtig gebruik, verwaarlozing, een ongeluk (bijvoorbeeld stoten); (4) normale slijtage; (5) het gebruik van het product voor enig ander doel dan thuisgebruik, zoals maar niet exclusief een professioneel of commercieel doel (bijvoorbeeld game rooms, training, wedstrijden). Indien toegestaan onder van toepassing zijnde wetgeving, wijzen Guillemot en haar dochterondernemingen alle aansprakelijkheid af voor enige schade aan dit product niet gerelateerd aan een materiaal- of fabricagefout (inclusief maar niet beperkt tot enige schade direct of indirect veroorzaakt door enige software, of door het combineren van het Thrustmaster-product met enig ongeschikt element waaronder in het bijzonder voedingsadapters, oplaadbare batterijen, opladers of enig ander element niet geleverd door Guillemot voor dit product).

**THRUSTMASTER®**

TECHNISCHE ONDERSTEUNING

<http://support.thrustmaster.com>





## COPYRIGHT

© 2017 Guillemot Corporation S.A. Alle rechten voorbehouden. Thrustmaster® is een geregistreerd handelsmerk van Guillemot Corporation S.A. Alle andere handelsmerken zijn eigendom van de respectieve eigenaren. Afbeeldingen zijn niet bindend. Inhoud, ontwerp en specificaties kunnen zonder kennisgeving vooraf worden gewijzigd en kunnen per land verschillen. Geproduceerd in China.

## AANBEVELINGEN VOOR DE BESCHERMING VAN HET MILIEU



In de Europese Unie: Gooi dit product na het einde van de levensduur niet weg met het normale afval, maar breng het naar het door uw gemeente aangewezen inzamelpunt voor elektrische en/of computerapparatuur.

Ter herinnering is hiertoe op het product, de gebruikshandleiding of de verpakking een symbool aangebracht.

De meeste materialen kunnen worden gerecycled. Door recycling en andere methoden voor verantwoorde verwerking van afgedankte elektrische en elektronische apparaten kunt u een belangrijke bijdrage leveren aan de bescherming van het milieu.

Neem contact op met uw gemeente voor informatie over een inzamelpunt bij u in de buurt.

In alle andere landen: houd u aan de plaatselijk milieuwetgeving voor elektrische en elektronische apparaten.

Bewaar deze informatie. De kleuren en decoraties kunnen variëren.

Plastic bevestigingen en hechtmaterialen moeten van het product worden verwijderd voordat het wordt gebruikt.

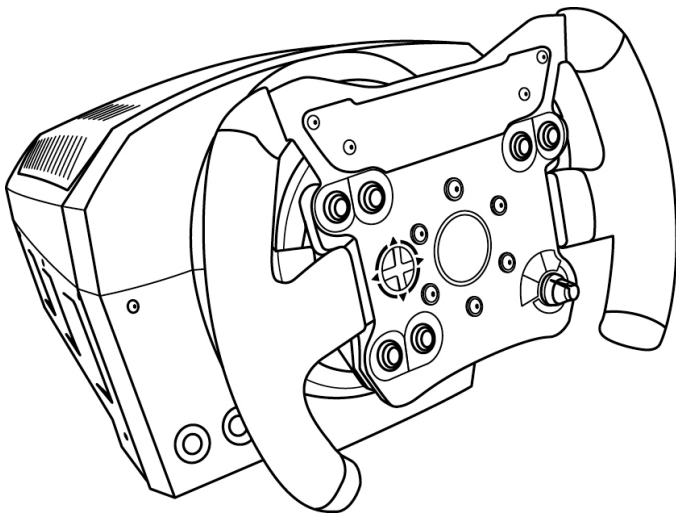
[www.thrustmaster.com](http://www.thrustmaster.com)

*\*Alleen van toepassing in de EU en Turkije*

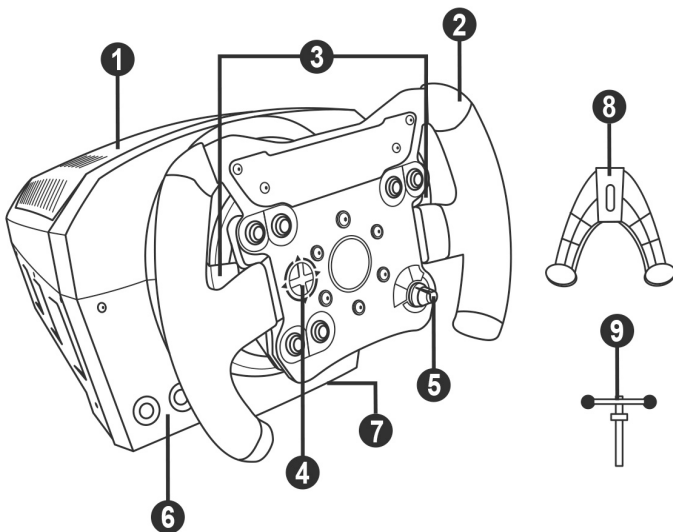


# TS-PC RACER

Manuale d'uso



## CARATTERISTICHE TECNICHE



**1** Base

**2** Volante

**3** 2 leve del cambio sequenziali (up & down)

**4** D-pad

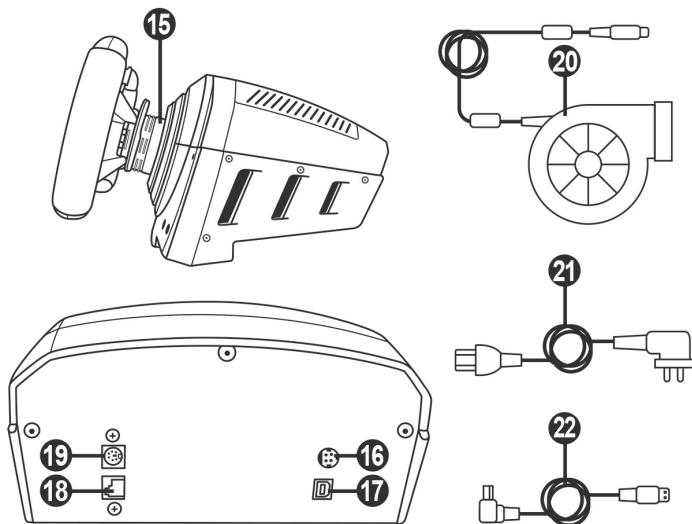
**5** Selettore rotante con funzione se premuto

**6** Pulsante MODE + indicatore luminoso rosso/verde

**7** Ampio foro filettato (per sistema di fissaggio e vite di blocco)

**8** Sistema di fissaggio

**9** Vite di fissaggio in metallo



- |   |  |
|---|--|
| 15 Thrustmaster Quick Release                                 | 19 Connettore per cambio TH8A (cambio venduto separatamente) |
| 16 Connettore per alimentatore TURBO POWER                    | 20 Alimentatore TURBO POWER                                  |
| 17 Connettore per cavo USB removibile                         | 21 Cavo alimentatore   |
| 18 Connettore per pedaliera (pedaliera venduta separatamente) | 22 Cavo USB removibile                                       |

**PER COLLEGARE IL VOLANTE AD UNA PRESA ELETTRICA:  
LEGGERE CON ATTENZIONE!**



**Non collegare mai l'alimentatore TURBO POWER ad una presa di corrente con un diverso voltaggio!** Il voltaggio dell'alimentatore TURBO POWER è riportato sull'etichetta presente sopra il connettore femmina per il cavo di alimentazione.



**Non collegare mai alla base TS-PC RACER un alimentatore diverso dal TURBO POWER, anche se l'alimentatore fosse compatibile!** Ad esempio, non collegare mai alla base TS-PC RACER l'alimentatore del volante T500 RS.

## ATTENZIONE

Prima di utilizzare questo prodotto, ti invitiamo a leggere con attenzione il presente manuale e a conservarlo, in caso avessi bisogno di consultarlo nuovamente.



### **Attenzione – Shock elettrico**

- \* Conserva questo prodotto in un luogo asciutto e non esporlo alla polvere o alla luce del sole.
- \* Non torcere e non tirare i connettori e i cavi.
- \* Non versare liquidi sul prodotto o sui relativi connettori.
- \* Non cortocircuitare il prodotto.
- \* Non smontare questo prodotto; non gettarlo nel fuoco e non esporlo alle alte temperature.
- \* Non usare un altro cavo di alimentazione oltre a quello fornito assieme al tuo volante.
- \* Non utilizzare il cavo di alimentazione qualora quest'ultimo o i connettori dovessero risultare danneggiati, divisi o rotti.
- \* Assicurati che il cavo di alimentazione si ben inserita in una presa di corrente e correttamente connesso al connettore presente nella parte posteriore della base del volante.
- \* Non aprire il volante: all'interno non vi sono componenti utili all'utente. Qualunque riparazione dovrà essere effettuata dal produttore, da un suo rappresentante autorizzato o da un tecnico qualificato.
- \* Usa unicamente sistemi di fissaggio/ accessori indicati dal produttore.
- \* Qualora il volante non dovesse funzionare correttamente (se dovesse generare un qualunque suono inusuale, calore o odori), smetti immediatamente di utilizzarlo, scollega il cavo di alimentazione dal relativo connettore e scollega tutti gli altri cavi.
- \* Se pensi di non dover utilizzare il volante per un lungo periodo di tempo, scollega l'alimentatore dalla presa di corrente.
- \* La presa elettrica deve trovarsi nei pressi delle apparecchiature e deve risultare facilmente accessibile.



### **Prese d'aria**

Accertati di non ostruire nessuna delle prese d'aria presenti nella base del volante. per una ventilazione ottimale, attieniti alle seguenti indicazioni:

- \* Colloca la base ad almeno 10cm di distanza dal muro.
- \* Non collocare la base in uno spazio angusto.
- \* Non coprire la base.
- \* Non lasciare che la polvere penetri nella prese d'aria.



**Per motivi di sicurezza, non utilizzare mai la pedaliera a piedi nudi o indossando solamente i calzini.**

**THRUSTMASTER® DECLINA OGNI RESPONSABILITÀ IN CASO DI INFORTUNI DERIVANTI DALL'USO DELLA PEDALIERA SENZA SCARPE.**



### **Attenzione – Infortuni derivanti dal force feedback e dai movimenti ripetuti**

Giocare con un volante force-feedback potrebbe causare dolori muscolari o articolari. Per evitare qualsiasi problema:

- \* Evita di giocare per lunghi periodi di tempo.
- \* Prenditi 10-15 minuti di pausa per ogni ora di gioco.
- \* Qualora dovessi avvertire fatica o dolore a mani, polsi, braccia, piedi o gambe, smetti di giocare e riposati per alcune ore prima di ricominciare a giocare.



**Attenzione – Infortuni derivanti dal force feedback e dai movimenti ripetuti (seguito)**

- \* Qualora i sintomi o il dolore sopradescritti dovessero persistere anche quando ricominci a giocare, smetti di giocare e consulta il tuo medico.
- \* Tenere lontano dalla portata dei bambini.
- \* Nei giochi, mantieni sempre le mani sul volante in posizione corretta, senza mai lasciarlo andare completamente.
- \* Mentre giochi, non infilare mai le tue mani o le tue dita sotto ai pedali o in una qualunque posizione nei pressi della pedaliera.
- \* Durante la calibrazione e mentre giochi, non infilare mai la tua mano o il tuo braccio attraverso le aperture del volante.
- \* Assicurati che la base del volante sia ben fissata, così come indicato dalle istruzioni nel presente manuale.



Prodotto maneggiabile solo da utenti con un'età minima di 16 anni

**PRODOTTO PESANTE**



Fai attenzione a non far cadere il prodotto addosso a te o a chiunque altro!

**SEMPRE**



## INSTALLARE IL VOLANTE SULLA SUA BASE

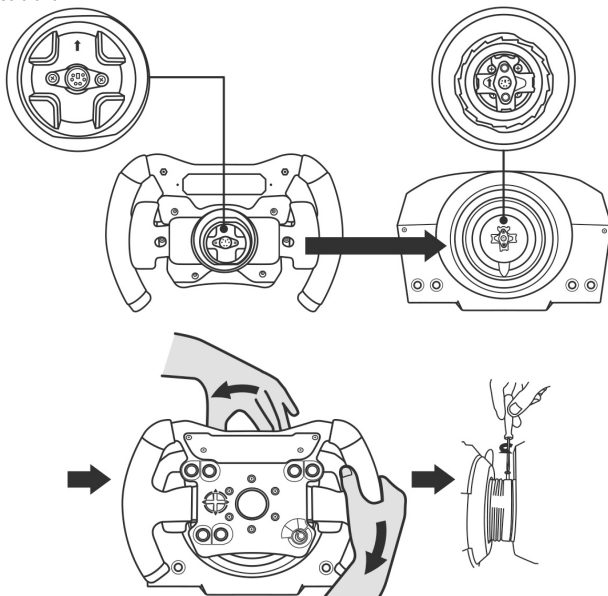
Allinea correttamente i connettori utilizzando le frecce:

**Connettore della base (1):** freccia rivolta verso l'alto

**Connettore del volante (2):** freccia rivolta verso l'alto

Dopo aver correttamente posizionato i connettori, non devi far altro che ruotare in senso antiorario l'anello del sistema Thrustmaster Quick Release (15), tenendo il volante (2) fermo in posizione.

Dopodiché, stringi l'anello più a fondo che puoi; per far questo, tieni l'anello in posizione e ruota il volante in senso orario.



Dopo aver installato il volante, ruotalo di 180° (guardando il volante, il logo GT deve apparire ribaltato) per accedere alla piccola vite di fissaggio presente sull'anello del sistema Thrustmaster Quick Release (15). Utilizzando un grande cacciavite Phillips, stringi la piccola vite di fissaggio (senza usare troppa forza), facendola ruotare in senso orario.



**Se utilizzi un cacciavite Phillips, NON utilizzare troppa forza per stringere la piccola vite di fissaggio!**

**Smetti di avvitare non appena avverti un po' di resistenza.**

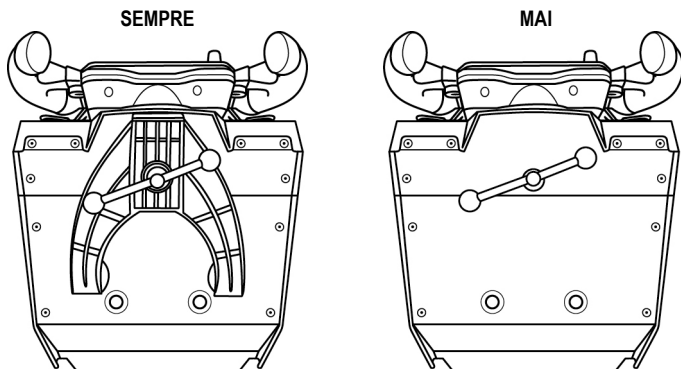
## FISSARE IL VOLANTE

### Agganciare la base del volante ad un abitacolo

1. Colloca la base del volante sul piano dell'abitacolo.
2. Fai passare due viti tipo M6 (non incluse) attraverso il piano dell'abitacolo, quindi avvitalo nei due fori per le viti presenti nella parte posteriore del volante.  
*Importante: la lunghezza delle due viti tipo M6 non dovrà superare lo spessore del piano + 12 mm; viti più lunghe potrebbero danneggiare le componentistiche presenti all'interno della base del volante.*
3. Se necessario, stringi il sistema di aggancio standard inserendo la vite di fissaggio nell'apposito ampio foro filettato.

### Fissare il volante a un tavolo o a una scrivania

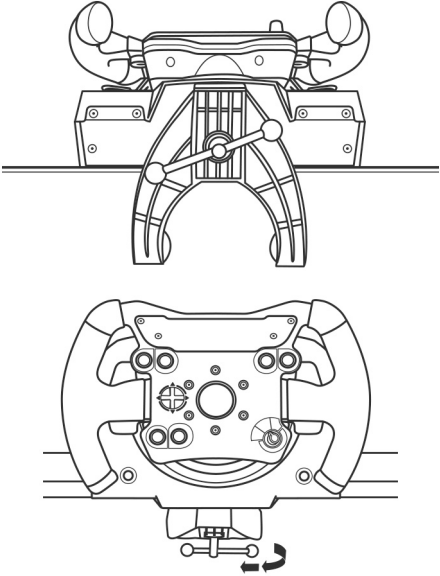
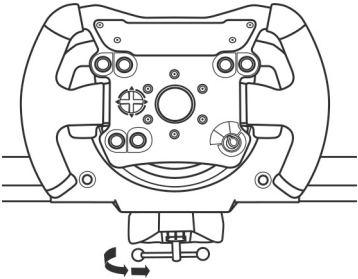
1. Colloca il volante su un tavolo o su qualsiasi altra superficie piana, orizzontale e stabile.
2. Inserisci la vite di fissaggio (9) nel sistema di aggancio (8), dopodiché blocca la periferica ruotando la vite in senso antiorario, in modo tale che questa penetri nell'ampio foro filettato (7) presente nella parte inferiore del volante, finché il volante non risulti perfettamente stabile.



#### **ATTENZIONE:**

- Non stringere mai la vite da sola, senza il sistema di aggancio in posizione (ciò potrebbe danneggiare il volante.)



AGGANCIO / RIMOZIONE	DIREZIONE
<p><b><u>Per stringere:</u></b></p> <p><i>Gira la vite in senso antiorario</i></p>	
<p><b><u>Per allentare:</u></b></p> <p><i>Gira la vite in senso orario</i></p>	

## CONFIGURARE IL VOLANTE SU PC

1. Scarica i driver e il software force feedback per PC dal sito <http://support.thrustmaster.com>.  
Clicca su Volanti / TS-PC RACER, quindi scegli Driver.

2. Una volta terminato il download, avvia l'installazione e segui le istruzioni che appariranno sullo schermo per collegare il connettore USB del volante al tuo computer e per completare l'installazione.

3. A installazione terminata, clicca su Fine e riavvia il tuo computer.

4. Seleziona Start / Tutti i Programmi / Thrustmaster / FFB Racing Wheel / Pannello di Controllo per accedere alla finestra Periferiche di Gioco.

Nella finestra Periferiche di Gioco comparirà il volante, denominato Thrustmaster TS-PC RACER, avente come stato OK.

5. Nel pannello di controllo del TS-PC RACER, clicca su Proprietà per configurare il tuo volante:

- Scheda Test ingressi: ti permette di testare e visualizzare i pulsanti azione, i pulsanti direzionali, gli assi di volante e pedaliera, oltre che regolare l'angolo di rotazione del volante nei tuoi giochi per PC.
- Scheda Test forze: ti permette di testare 12 effetti force feedback.
- Scheda Regolazione Guadagno: ti permette di regolare l'intensità degli effetti force feedback nei tuoi giochi per PC.

***Ora sei pronto per giocare!***

### Note generali:

- Su PC, prima di avviare il gioco, clicca su OK per chiudere la finestra Periferiche di Gioco.
- La versione del firmware del tuo volante viene visualizzata nell'angolo superiore destro delle schede del pannello di controllo.

## AGGIORNARE IL FIRMWARE DEL TUO VOLANTE

Il firmware presente nella base del tuo volante può essere aggiornato ad una versione più recente, per apportare migliorie al prodotto.

Per visualizzare la versione del firmware attualmente presente nel tuo volante e, se necessario, aggiornarla: su PC, collegati al sito <http://support.thrustmaster.com>. Clicca su **Volanti / TS-PC RACER**, dopodiché seleziona **Firmware** e segui le istruzioni per la procedura di scaricamento e installazione.

## CALIBRAZIONE AUTOMATICA DEL VOLANTE

Il volante si calibra automaticamente non appena lo collegherai ad una presa elettrica e collegherai il connettore USB del volante.

Durante questa fase, il volante si muoverà rapidamente a destra e a sinistra, coprendo un angolo di 1080 gradi, prima di fermarsi in posizione centrale.



### **ATTENZIONE:**

**Non toccare mai il volante durante la fase di auto-calibrazione!**  
**(Ciò potrebbe causare un'errata calibrazione e/o infortuni personali.)**

**Qualora il tuo volante non funzionasse correttamente o dovesse sembrare non propriamente calibrato:**

Spegni il tuo PC e scollega completamente il volante. Dopodiché, ricollega tutti i cavi (compresi i cavi di pedaliera e alimentatore) e riavvia il tuo PC e il tuo gioco.

## SISTEMA INTERNO DI RAFFREDDAMENTO PER LA BASE DEL VOLANTE

Il sistema interno di raffreddamento per la base del volante

- inizia a funzionare quando il volante viene acceso.
- si spegne dopo alcuni minuti di inattività, quando la temperatura interna scende a un livello basso.
- si riaccende quando si riutilizza il volante.

## PULSANTE MODE E SPIA LUMINOSA (6)

### **Pulsante MODE per la pedaliera**

Se stai utilizzando una pedaliera Thrustmaster T3PA o T3PA-PRO, collegata all'apposito connettore per pedaliera (18), puoi scambiare elettronicamente tra loro i pedali di acceleratore e frizione.

Per far questo, non devi far altro che tenere premuto il pulsante MODE (6) per 2 secondi.

Lo stato dell'attivazione dello scambio tra i pedali viene salvato nella memoria interna del volante.

PEDALI ACCELERATORE E FRIZIONE	Colore del led MODE (6)
NORMALI	ROSSO
SCAMBIATI	VERDE

### **Altri consigli per il pulsante MODE**

Per saperne di più sul pulsante e sul led MODE, consulta il sito <http://support.thrustmaster.com>.  
Clicca su **Volanti / TS-PC RACER**, quindi seleziona **Manuale** o **FAQ**.

## FILE DI AIUTO E FAQ (NON INCLUSI NEL PRESENTE MANUALE)

Visita il sito <http://support.thrustmaster.com>. Clicca su **Volanti / TS-PC RACER**, quindi seleziona **Manuale** o **FAQ**.

## COMPATIBILITÀ CON L'ECOSISTEMA THRUSTMASTER

### Pedaliere

La base TS-PC RACER è compatibile con:

- le pedaliere **Thrustmaster T3PA** e **T3PA-PRO**, che si collegano direttamente al connettore per pedaliera (**18**).
- Thrustmaster **DB9 PEDALS T.RJ12 ADAPTER**, che permette alle pedaliere non-Thrustmaster, dotate di connettore DB9, di essere collegate al connettore per pedaliera (**18**).
- **tutte le pedaliere USB presenti sul mercato** (nei giochi che supportano il MULTI-USB e le pedaliere USB).

### Volanti

La base TS-PC RACER è compatibile con tutti i volanti Thrustmaster removibili, compresi:

- **Ferrari 599XX EVO 30 Wheel Add-On Alcantara Edition**
- **Ferrari F1 Wheel Add-On**
- **Ferrari GTE Wheel Add-On Ferrari 458 Challenge Edition**
- **TM Leather 28 GT Wheel Add-On**
- **TM Open Wheel Add-On**
- ecc.

### Cambi

La base TS-PC RACER è compatibile con:

- il Thrustmaster **TH8A Shifter Add-On** che, per la modalità "Sequenziale (+/-)", si collega direttamente al connettore per il cambio TH8A (**19**), oppure, ad una porta USB, per le modalità "Schema ad H (7+1)" e ANALOGICA / FRENO A MANO.
- **tutti i cambi USB presenti sul mercato** (nei giochi che supportano il MULTI-USB e i cambi USB).

EN

FR

DE

NL

IT

ES

PT

BR

RU

EL

TR

PL

繁體中文

한국어

## **Informazioni sulla garanzia al consumatore**

A livello mondiale, Guillemot Corporation S.A., avente sede legale in Place du Granier, B.P. 97143, 35571 Chantepie, Francia (d'ora in avanti "Guillemot") garantisce al consumatore che il presente prodotto Thrustmaster sarà privo di difetti relativi ai materiali e alla fabbricazione, per un periodo di garanzia corrispondente al limite temporale stabilito per la presentazione di un reclamo riguardante la conformità del prodotto in questione. Nei paesi della Comunità Europea, tale periodo equivale a due (2) anni a partire dalla consegna del prodotto Thrustmaster. In altri paesi, la durata della garanzia corrisponde al limite temporale stabilito per la presentazione di un reclamo riguardante la conformità del prodotto Thrustmaster in base alle leggi applicabili nel paese in cui il consumatore risiedeva alla data di acquisto del prodotto Thrustmaster (qualora nel paese in questione non esistesse alcuna norma a riguardo, il periodo di garanzia corrisponderà a un (1) anno a partire dalla data originale di acquisto del prodotto Thrustmaster).

Qualora, durante il periodo di garanzia, il prodotto dovesse apparire difettoso, contatti immediatamente l'Assistenza Tecnica, che le indicherà la procedura da seguire. Qualora il difetto dovesse essere confermato, il prodotto dovrà essere riportato al luogo di acquisto (o qualsiasi altro luogo indicato dall'Assistenza Tecnica).

Nel contesto della presente garanzia, il prodotto difettoso di proprietà del consumatore potrà essere sostituito o reso nuovamente funzionante, a discrezione dell'Assistenza Tecnica. Se, durante il periodo coperto dalla garanzia, il prodotto Thrustmaster fosse oggetto di tale rimessa in operatività, alla rimanente durata della garanzia dovrà essere aggiunto un periodo di almeno sette (7) giorni, durante il quale il prodotto risulta non utilizzabile (tale periodo intercorre dalla data della richiesta di intervento da parte del consumatore o dalla data in cui il prodotto in questione è reso disponibile per la rimessa in operatività, questo nel caso in cui tale data sia successiva alla data di richiesta di intervento). Qualora le leggi applicabili in materia lo consentano, la totale responsabilità di Guillemot e delle sue controllate (compresi i danni conseguenti) si limita alla rimessa in operatività o alla sostituzione del prodotto Thrustmaster. Qualora le leggi applicabili in materia lo consentano, Guillemot declina ogni garanzia sulla commerciabilità o la conformità a finalità particolari.

La presente garanzia non potrà essere applicata: (1) se il prodotto è stato modificato, aperto, alterato o ha subito danni derivanti da un uso inappropriato o non autorizzato, da negligenza, da un incidente, dalla semplice usura, o da qualsiasi altra causa non riconducibile a difetti nei materiali o nell'assemblaggio (compresi, ma non i soli, prodotti Thrustmaster combinati con elementi inadatti, tra cui, in particolare, batterie ricaricabili, caricatori o qualsiasi altro elemento non fornito da Guillemot per questo prodotto); (2) nel caso in cui il prodotto sia stato utilizzato per qualsiasi altro scopo al di fuori dell'uso domestico, comprese finalità professionali o commerciali (esempio: sale giochi, allenamenti, concorsi); (3) in caso di mancato rispetto delle istruzioni fornite dall'Assistenza Tecnica; (4) in caso di software, ovvero software soggetto a una specifica garanzia; (5) ai materiali di consumo (elementi che richiedono la loro sostituzione al termine della loro durata di esercizio come, ad esempio, batterie di tipo convenzionale o cuscinetti protettivi per auricolari o cuffie); (6) agli accessori (ad esempio, cavi, custodie, borsette, borse, cinturini); (7) se il prodotto è stato venduto ad un'asta pubblica.

La presente garanzia non è trasferibile.

I diritti legali del consumatore, stabiliti dalle leggi vigenti in materia di vendita di beni di consumo nel relativo paese, non vengono intaccati dalla presente garanzia.

### Disposizioni addizionali sulla garanzia

Per tutta la durata della garanzia, in linea di principio, Guillemot non fornirà alcuna parte di ricambio, in quanto la sola Assistenza Tecnica è la parte autorizzata ad aprire e/o rimettere in funzionamento tutti i prodotti Thrustmaster (fatta eccezione per eventuali procedure di rimessa in operatività che l'Assistenza Tecnica potrebbe richiedere al consumatore, attraverso istruzioni scritte – viste, ad esempio, la semplicità e la mancanza di riservatezza della procedura di rimessa in operatività – e fornendo al consumatore le necessarie parti di ricambio, se ve ne fosse l'esigenza).

Considerando i propri cicli di innovazione e per proteggere il proprio know-how e i propri segreti commerciali, in linea di principio, Guillemot non fornirà alcuna notifica o parte di ricambio finalizzata alla rimessa in attività di un qualunque prodotto Thrustmaster il cui periodo di garanzia risultasse scaduto.

### Responsabilità

Qualora le leggi applicabili in materia lo consentano, Guillemot Corporation S.A. (d'ora in avanti "Guillemot") e le sue controllate declinano ogni responsabilità per qualsiasi danno derivante da almeno una delle seguenti condizioni: (1) il prodotto è stato modificato, aperto o alterato; (2) mancato rispetto delle istruzioni di installazione; (3) uso inappropriato o non permesso, negligenza, incidente (come, ad esempio, un impatto); (4) semplice usura; (5) utilizzo del prodotto per qualsiasi altro scopo al di fuori dell'uso domestico, comprese finalità professionali o commerciali (esempio: sale giochi, allenamenti, concorsi). Qualora le leggi applicabili in materia lo consentano, Guillemot e le sue controllate declinano ogni responsabilità per qualsiasi danno non riconducibile a difetti nei materiali o nella fabbricazione del prodotto (compresi, ma non i soli, potenziali danni causati direttamente o indirettamente da un qualunque software, oppure dall'uso del prodotto Thrustmaster in combinazione con elementi inadatti, tra cui, in particolare, batterie ricaricabili, caricatori o qualsiasi altro elemento non fornito da Guillemot per questo prodotto).

**THRUSTMASTER®**

**ASSISTENZA TECNICA**

<http://support.thrustmaster.com>



## COPYRIGHT

© 2017 Guillemot Corporation S.A. Tutti i diritti riservati. Thrustmaster® è un marchio registrato di proprietà di Guillemot Corporation S.A. Tutti gli altri marchi appartengono ai legittimi proprietari. Illustrazioni escluse. I contenuti, i design e le caratteristiche possono essere oggetto di modifiche senza preavviso e possono variare da un Paese all'altro. Fabbricato in Cina.

## RACCOMANDAZIONI SULLA TUTELA DELL'AMBIENTE



\* Nell'Unione Europea: Al termine della sua vita operativa, questo prodotto non dovrebbe essere gettato assieme ai comuni rifiuti, ma dovrebbe essere portato ad un apposito punto di raccolta destinato al riciclaggio del Materiale Elettrico ed Elettronico.

Ciò è confermato dal simbolo riportato sul prodotto, nel manuale d'uso o sulla confezione.

A seconda delle proprie caratteristiche, i materiali potrebbero essere riciclati.

Tramite il riciclaggio ed altre forme di trattamento del Materiale Elettrico ed Elettronico, è possibile fornire un importante contributo per la salvaguardia dell'ambiente.

Per conoscere i punti di raccolta più vicini a te, contatta le autorità locali competenti.

In tutti gli altri Paesi: per favore, rispetta le leggi locali sul riciclo dei materiali elettrici ed elettronici.

Informazioni da conservare. I colori e le decorazioni possono variare.

I ganci di plastica e gli adesivi dovrebbero essere rimossi dal prodotto prima che quest'ultimo venga utilizzato.

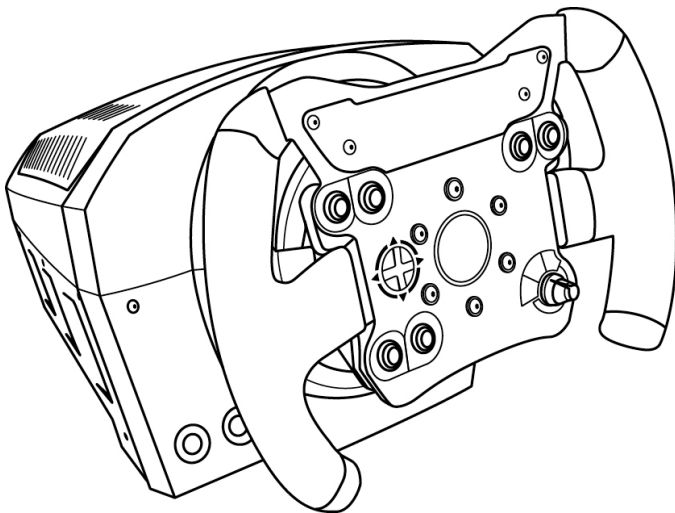
[www.thrustmaster.com](http://www.thrustmaster.com)

*\*Valido solo in UE e Turchia*



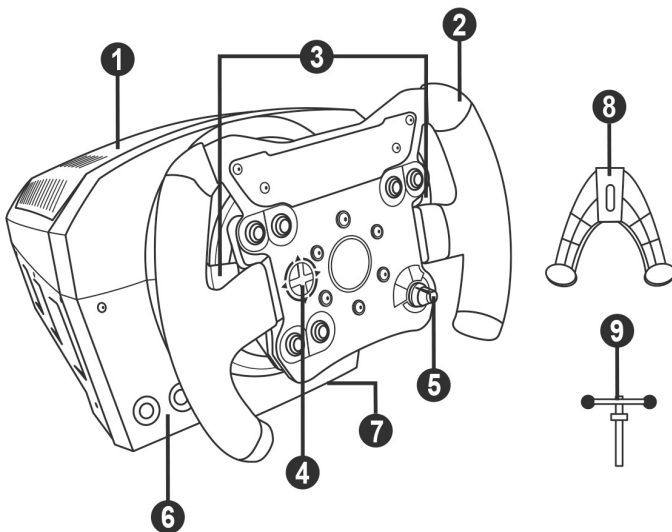
# TS-PC RACER

Manual del usuario

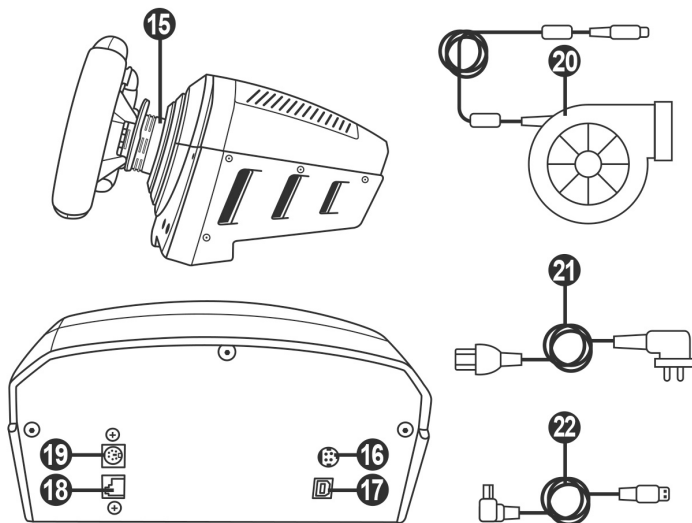




## CARACTERÍSTICAS TÉCNICAS



- |  |  |
|--|--|
| 1 Base   | 6 Botón MODE + luz indicadora roja/verde                                   |
| 2 Volante  | 7 Agujero roscado grande (para sistema de fijación y tornillo de sujeción) |
| 3 2 levas secuenciales de cambio de marchas (arriba y abajo) | 8 Sistema de fijación  |
| 4 D-pad  | 9 Tornillo de sujeción metálico  |
| 5 Interruptor giratorio con función de pulsador              |  |



- 15 Thrustmaster Quick Release
- 16 Conector para fuente de alimentación TURBO POWER
- 17 Conector de cable USB desmontable
- 18 Conector de pedales (los pedales se venden por separado)
- 19 Conector de cambio de marchas TH8A (cambio de marchas vendido por separado)
- 20 Fuente de alimentación TURBO POWER
- 21 Cable de fuente de alimentación
- 22 Cable USB desmontable

### ¡CONEXIÓN DEL VOLANTE A UN ENCHUFE ELÉCTRICO: LEER DETENIDAMENTE!



**¡No conectes nunca la fuente de alimentación TURBO POWER a un enchufe eléctrico con un voltaje distinto!** El voltaje de la fuente de alimentación TURBO POWER se indica en la etiqueta situada encima del conector hembra del cable de la fuente de alimentación.



**¡No conectes nunca una fuente de alimentación que no sea la TURBO POWER a la base del TS-PC RACER, aunque el conector sea compatible!** Por ejemplo, no conectes nunca el adaptador de corriente del volante T500 RS a la base TS-PC RACER.

## ADVERTENCIAS

Antes de utilizar este producto, lee detenidamente este manual y consévalo para consultarlo posteriormente.



### **Advertencia – Descarga eléctrica**

- \* Mantén el producto en un lugar seco y no lo expongas al polvo ni a la luz directa del sol.
- \* No retuerzas ni tires de los conectores ni de los cables.
- \* No derrames líquidos en el producto ni en sus conectores.
- \* No cortocircuites el producto.
- \* No desmontes nunca el producto ni lo lances al fuego ni lo expongas a temperaturas elevadas.
- \* No utilices otro cable de fuente de alimentación distinto del proporcionado con el volante de carreras.
- \* No utilices el cable de fuente de alimentación si el cable o conectores están dañados, partidos o rotos.
- \* Asegúrate de que el cable de fuente de alimentación esté enchufado correctamente en un enchufe eléctrico, y conectado correctamente al conector de la parte trasera de la base del volante de carreras.
- \* No abras el volante de carreras: en el interior no hay piezas que el usuario pueda arreglar. Las reparaciones las debe realizar el fabricante, su representante autorizado o un técnico cualificado.
- \* Utiliza únicamente sistemas de fijación/accesorios especificados por el fabricante.
- \* Si el volante de carreras se comporta de forma anormal (si emite sonidos anormales, calor u olores), deja de utilizarlo inmediatamente, desenchufa el cable de fuente de alimentación del enchufe eléctrico y desconecta los demás cables.
- \* Si no vas a utilizar el volante de carreras durante un período de tiempo prolongado, desenchufa su cable de fuente de alimentación del enchufe eléctrico.
- \* El enchufe eléctrico debe estar situado cerca del equipo y ser fácilmente accesible.



### **Rejillas de ventilación**

Asegúrate de no bloquear ninguna de las rejillas de ventilación de la base del volante de carreras. Para obtener una ventilación óptima, respeta los puntos siguientes:

- \* Coloca la base del volante al menos a 10 cm de distancia de las paredes.
- \* No coloques la base en espacios estrechos.
- \* No tapes la base.
- \* No dejes que se acumule polvo en las rejillas de ventilación.



**Por razones de seguridad, no uses nunca los pedales con los pies descalzos o únicamente con calcetines en los pies.**

**THRUSTMASTER® DECLINA CUALQUIER RESPONSABILIDAD EN CASO DE LESIONES PRODUCTO DEL USO DE LOS PEDALES SIN CALZADO.**



### **Advertencia – Lesiones debidas al Force Feedback y movimientos repetitivos**

Jugar con un volante con Force Feedback puede producir dolor en las articulaciones o en los músculos. Para evitar problemas:

- \* Evita jugar durante períodos prolongados.
- \* Haz descansos de 10 a 15 minutos por cada hora de juego.
- \* Si sientes fatiga o dolor en las manos, muñecas, brazos, pies o piernas, deja de jugar y descansa durante unas horas antes de volver a jugar.



**Advertencia – Lesiones debidas al Force Feedback y movimientos repetitivos (continuación)**

- \* Si los síntomas o el dolor indicados anteriormente persisten cuando vuelves a jugar, deja de hacerlo y consulta al médico.
- \* Mantén el volante fuera del alcance de los niños.
- \* Durante el juego, mantén siempre ambas manos colocadas correctamente en el volante sin dejarlas completamente caídas.
- \* Mientras estés jugando, no coloques nunca las manos ni los dedos debajo de los pedales, ni tampoco cerca de ellos.
- \* Durante la calibración y el juego, no metas nunca las manos ni los brazos a través de las aberturas del volante de carreras.
- \* Asegúrate de que la base del volante de carreras esté fijada correctamente, según las instrucciones de este manual.



El producto sólo puede ser manejado por usuarios de 16 años de edad como mínimo.

**PRODUCTO PESADO**



¡Ten cuidado de no dejar caer el producto encima de ti o de otra persona!

**SIEMPRE**



## INSTALACIÓN DEL VOLANTE EN SU BASE

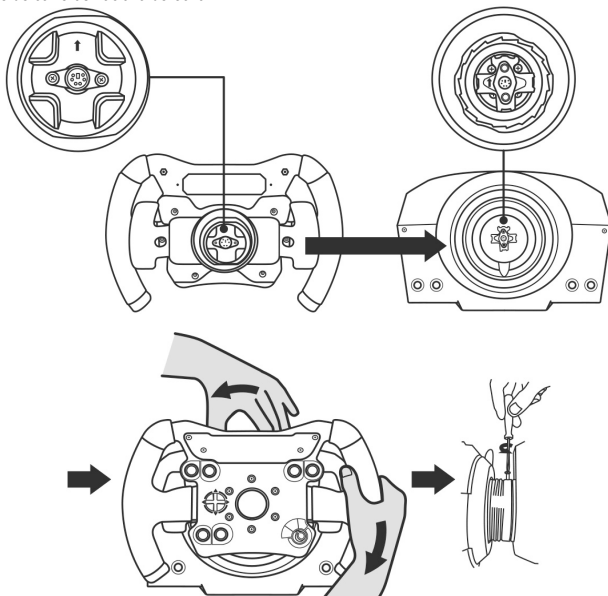
Alinea las posiciones de los conectores usando las flechas:

**Conector de la base (1):** Flecha apuntando hacia arriba

**Conector del volante de carreras (2):** Flecha apuntando hacia arriba

Una vez que los conectores estén colocados correctamente, gira el anillo del dispositivo Thrustmaster Quick Release (15) hacia la izquierda, mientras sostienes el volante de carreras (2) en su posición.

A continuación, aprieta el anillo todo lo que puedas: para ello, mantén el anillo en su posición y gira el volante de carreras hacia la derecha.



Una vez que hayas instalado el volante, gíralo 180° (cuando mires al volante, el logotipo de TM debería estar al revés) para acceder al pequeño tornillo de fijación situado en el dispositivo Thrustmaster Quick Release (15). Con un destornillador Phillips para apretar el pequeño tornillo de fijación (no utilices una fuerza excesiva), gíralo hacia la derecha.



**¡Al utilizar un destornillador Philips, procura NO emplear una fuerza excesiva al apretar el tornillo pequeño de fijación!**

**Deja de girar el tornillo en cuanto notes algo de resistencia.**

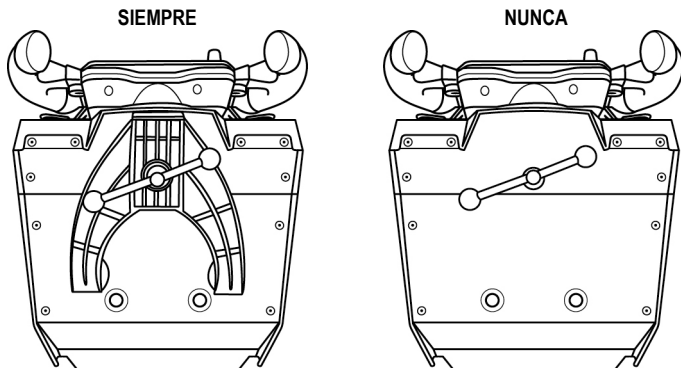
## FIJACIÓN DEL VOLANTE DE CARRERAS

### Fijación de la base del volante de carreras a una cabina

1. Coloca la base del volante de carreras en el estante de la cabina.
2. Pasa dos tornillos M6 (no incluidos) a través del estante de la cabina e insértalos en los dos agujeros roscados pequeños situados en la cara inferior del volante de carreras.  
*Importante:* La longitud de los dos tornillos M6 no debe exceder el grosor del estante + 12 mm; tornillos más largos podrían dañar los componentes internos situados en la base del volante de carreras.
3. Si es necesario, aprieta el sistema de fijación estándar insertando el tornillo de sujeción en el agujero roscado grande.

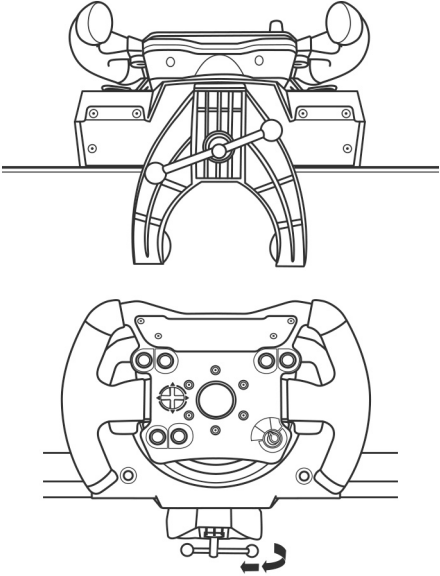
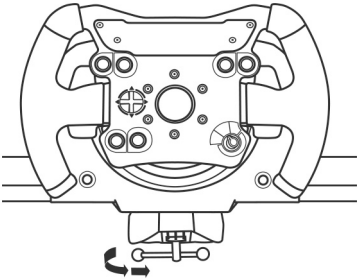
### Fijación del volante de carreras a una mesa o un escritorio

1. Coloca el volante de carreras sobre una mesa u otra superficie horizontal, plana y estable.
2. Inserta el tornillo de sujeción (9) en el sistema de fijación (8) y, a continuación, aprieta el dispositivo girando el tornillo a la izquierda, para que entre en el agujero roscado grande (7) situado debajo del volante de carreras, hasta que el dispositivo esté perfectamente estable.



#### **ADVERTENCIA:**

- ¡No aprietes nunca el tornillo solo, sin el sistema de fijación en su sitio! (De hacerlo así, se podría dañar el volante).

COLOCACIÓN / RETIRADA	INDICACIÓN
<p><b><u>Para apretar:</u></b></p> <p><b><i>Gira el tornillo hacia la izquierda</i></b></p>	
<p><b><u>Para aflojar:</u></b></p> <p><b><i>Gira el tornillo hacia la derecha</i></b></p>	

## CONFIGURACIÓN DEL VOLANTE DE CARRERAS PARA PC

1. Visita <http://support.thrustmaster.com> para descargar los controladores y el software de Force Feedback para PC. Haz clic en Volantes de carreras / TS-PC RACER y, a continuación, selecciona Controladores.

2. Una vez terminada la descarga, inicia la instalación y sigue las instrucciones en pantalla para conectar la clavija USB del volante al ordenador y terminar la instalación.

3. Una vez completada la instalación, haz clic en Terminar y reinicia el ordenador.

4. Selecciona Inicio / Todos los programas / Thrustmaster / FFB Racing Wheel / Panel de control para abrir la ventana Dispositivos de juego.

La ventana Dispositivos de juego muestra el nombre del volante de carreras Thrustmaster TS-PC RACER con el estado OK.

5. Haz clic en Propiedades para configurar el volante en el panel de control del TS-PC RACER:

- Pestaña Test Input: permite probar y ver los botones de acción, los botones de dirección, los ejes del volante y los pedales, y ajustar el ángulo de rotación del volante en los juegos de PC.
- Pestaña Test Forces: permite probar los 12 efectos de Force Feedback.
- Pestaña Gain Settings: permite ajustar la potencia de los efectos de Force Feedback en los juegos de PC.

*¡Ya estás preparado para jugar!*

### Notas generales:

- En PC, haz clic en Aceptar para cerrar la ventana Dispositivos de juego antes de ejecutar el juego.
- La versión del firmware del volante se muestra en la esquina superior derecha de las pestañas del Panel de control.

## ACTUALIZACIÓN DEL FIRMWARE DEL VOLANTE DE CARRERAS

El firmware incluido en la base del volante de carreras se puede actualizar a una versión más reciente que incluya mejoras del producto.

Para mostrar la versión de firmware que está usando actualmente tu volante de carreras y actualizarla si es necesario: en PC, visita <http://support.thrustmaster.com>. Haz clic en **Volantes de carreras / TS-PC RACER**, después selecciona **Firmware** y sigue las instrucciones que describen el procedimiento de descarga e instalación.



## CALIBRACIÓN AUTOMÁTICA DEL VOLANTE DE CARRERAS

El volante de carreras se calibra solo automáticamente cuando lo enchufas a la red eléctrica y conectas el conector USB del volante de carreras.

Durante esta fase, el volante de carreras girará rápidamente hacia la izquierda y la derecha, cubriendo un ángulo de 1080 grados, antes de detenerse en el centro.



### **ADVERTENCIA:**

**¡No toques nunca el volante de carreras durante la fase de autocalibración!  
(Esto podría provocar una calibración incorrecta o lesiones personales).**

**Si el volante de carreras no funciona correctamente o la calibración parece incorrecta:**

Apaga el PC y desconecta por completo el volante de carreras. Luego vuelve a conectar todos los cables (incluyendo el cable de fuente de alimentación y los pedales) y reinicia el PC y el juego.

## SISTEMA DE REFRIGERACIÓN INTERNA DE LA BASE DEL VOLANTE

El sistema de refrigeración interna de la base del volante

- empieza a funcionar cuando el volante está encendido.
- se apaga tras unos minutos de inactividad si la temperatura interna desciende hasta un nivel bajo.
- se vuelve a encender cuando usas el volante.

## BOTÓN MODE Y LUZ INDICADORA (6)

### Botón MODE de los pedales

Puedes intercambiar de forma electrónica los pedales del acelerador y el embrague si estás usando un juego de pedales Thrustmaster T3PA o T3PA-PRO conectado al conector de los pedales (18).

Para ello, simplemente pulsa el botón MODE (6) durante 2 segundos.

La memoria interna del volante de carreras almacena si los pedales se han intercambiado o no.

PEDALES DEL ACELERADOR Y EL EMBRAGUE	Color de la luz indicadora MODE (6)
NORMAL	ROJO
INTERCAMBIADOS	VERDE

### Otra información referente al botón MODE

Para obtener más información sobre el botón MODE y la luz indicadora, visita <http://support.thrustmaster.com>. Haz clic en Volantes de carreras / TS-PC RACER, y luego selecciona Manual o PF.

## ARCHIVOS DE AYUDA Y PF (NO INCLUIDOS EN ESTE MANUAL)

Visita <http://support.thrustmaster.com>. Haz clic en Volantes de carreras / TS-PC RACER, y luego selecciona Manual o PF.

# COMPATIBILIDAD CON EL ECOSISTEMA DE THRUSTMASTER

## Pedales

La base TS-PC RACER es compatible con:

- los juegos de pedales **Thrustmaster T3PA** y **T3PA-PRO** que se conectan directamente al conector de los pedales **(18)**.
- el adaptador Thrustmaster **DB9 PEDALS T.RJ12 ADAPTER** que equipa los pedales que no son de Thrustmaster con un conector DB9 para enchufarlos al conector de los pedales **(18)**.
- **todos los pedales USB del mercado** (en juegos compatibles con pedales USB y MULTI-USB).

## Volantes

La base TS-PC RACER es compatible con todos los volantes desmontables de Thrustmaster, que incluyen:

- **Ferrari 599XX EVO 30 Wheel Add-On Alcantara Edition**
- **Ferrari F1 Wheel Add-On**
- **Ferrari GTE Wheel Add-On Ferrari 458 Challenge Edition**
- **TM Leather 28 GT Wheel Add-On**
- **TM Open Wheel Add-On**
- etc.

## Cambios de marchas

La base TS-PC RACER es compatible con:

- el Thrustmaster **TH8A Shifter Add-On** que se conecta directamente al conector del cambio de marchas TH8A **(19)** para el modo "Secuencial (+/-)", o a un puerto USB para los modos "forma de H (7+1)" y ANALÓGICO / FRENO DE MANO.
- **todos los cambios de marchas USB del mercado** (en juegos compatibles con cambios de marchas USB y MULTI-USB).

EN

FR

DE

NL

IT

ES

PT

BR

RU

EL

TR

PL

繁體中文

한국어

## **INFORMACIÓN DE GARANTÍA AL CONSUMIDOR**

En todo el mundo, Guillemot Corporation S.A., cuyo domicilio legal se encuentra en Place du Granier, B.P. 97143, 35571 Chantepie, Francia (en lo sucesivo "Guillemot") garantiza al consumidor que este producto de Thrustmaster estará libre de defectos de materiales y mano de obra, durante un período de garantía que corresponde al límite de tiempo para interponer una acción legal referida a la conformidad en relación con este producto. En los países de la Unión Europea, esto corresponde a un período de dos (2) años a partir de la entrega del producto de Thrustmaster. En otros países, el período de garantía corresponde al límite de tiempo para interponer una acción legal referida a la conformidad en relación con este producto de Thrustmaster según las leyes aplicables del país en el que el consumidor estuviese domiciliado en la fecha de compra del producto de Thrustmaster (si no existiese una acción similar en el país correspondiente, entonces el período de garantía será de un (1) año a partir de la fecha de compra original del producto de Thrustmaster).

Si el producto resultase defectuoso durante el período de garantía, hay que ponerse en contacto inmediatamente con el Soporte Técnico, que indicará el procedimiento a seguir. Si se confirma el defecto, el producto debe devolverse a su lugar de compra (o a cualquier otra ubicación indicada por el Soporte Técnico).

Dentro del contexto de esta garantía, el producto defectuoso del consumidor será sustituido o restaurado su funcionamiento correcto. Si, durante el período de garantía, el producto de Thrustmaster fuese sometido a dicho reacondicionamiento, cualquier período de cómo mínimo siete (7) días durante el que el producto no se pueda usar se añadirá al período de garantía restante (este período va desde la fecha de petición de intervención del consumidor o desde la fecha en la que el producto se entrega para el reacondicionamiento, si la fecha en la que el producto se entrega para el reacondicionamiento fuese posterior a la fecha de la petición de intervención). Si la ley aplicable lo permite, toda la responsabilidad de Guillemot y sus filiales (incluso por daños resultantes) se limita a la restauración del funcionamiento correcto o la sustitución del producto de Thrustmaster. Si la ley aplicable lo permite, Guillemot renuncia a todas las garantías de comerciabilidad o adecuación para un propósito determinado.

Esta garantía no se aplicará: (1) si el producto ha sido modificado, abierto, alterado o ha sufrido daños como resultado de un uso inapropiado o abuso, negligencia, accidente, desgaste normal, o cualquier otra causa no relacionada con un defecto de materiales o fabricación (incluyendo, pero no de forma exclusiva, la combinación del producto de Thrustmaster con cualquier elemento no adecuado, incluyendo en particular fuentes de alimentación, baterías recargables, cargadores o cualquier otro elemento no suministrado por Guillemot para este producto); (2) si el producto se ha empleado para otro uso distinto del doméstico, incluyendo fines profesionales o comerciales (salones de juego, entrenamiento, competiciones, por ejemplo); (3) en caso de incumplimiento de las instrucciones proporcionadas por el Soporte Técnico; (4) a software, es decir software sujeto a una garantía específica; (5) a consumibles (elementos que se tienen que reemplazar a lo largo de la vida del producto: por ejemplo, baterías desechables o almohadillas para auriculares de audio); (6) a accesorios (por ejemplo, cables, cajas, bolsas, bolsos o muñequeras); (7) si el producto se ha vendido en una subasta pública.

Esta garantía no es transferible.

Los derechos legales del consumidor en relación con las leyes aplicables a la venta de productos de consumo de su país no se ven afectados por esta garantía.

### Provisiones de garantía adicionales

Durante el período de garantía, Guillemot no proporcionará, en principio, ninguna pieza de repuesto, ya que el Soporte Técnico es el único autorizado para abrir y/o reacondicionar los productos de Thrustmaster (con la excepción de los procedimientos de reacondicionamiento que el Soporte técnico puede solicitar que lleve a cabo el consumidor, mediante instrucciones por escrito – por ejemplo, debido a la simplicidad y la falta de confidencialidad del proceso de reacondicionamiento – y suministrando al consumidor las piezas de repuesto necesarias, si hiciere falta).

Debido a sus ciclos de innovación y para proteger su know-how y secretos comerciales, Guillemot no proporcionará, en principio, ninguna pieza de repuesto ni instrucciones de reacondicionamiento para los productos de Thrustmaster cuyo período de garantía haya vencido.

En los Estados Unidos de América y en Canadá, esta garantía está limitada al mecanismo interno del producto y al alojamiento externo. En ningún caso, Guillemot ni sus filiales serán responsables ante terceros por daños resultantes o fortuitos resultado del incumplimiento de cualquier garantía expresa o implícita. En algunos estados o provincias no se permite la limitación de la duración de una garantía implícita ni la exclusión o limitación de responsabilidad por daños resultantes o fortuitos, por lo que las limitaciones o exclusiones anteriores pueden no ser aplicables. Esta garantía ofrece derechos legales específicos al consumidor, que también puede tener otros derechos que pueden variar de un estado a otro o de una provincia a otra.

### Responsabilidad

Si la ley aplicable lo permite, Guillemot Corporation S.A. (en lo sucesivo "Guillemot") y sus filiales renuncian a toda responsabilidad por los daños causados por uno o más de los siguientes motivos: (1) el producto ha sido modificado, abierto o alterado; (2) incumplimiento de las instrucciones de montaje; (3) uso inapropiado o abuso, negligencia, accidente (un impacto, por ejemplo); (4) desgaste normal; (5) el producto se ha empleado para otro uso distinto del doméstico, incluyendo fines profesionales o comerciales (salones de juego, entrenamiento, competiciones, por ejemplo). Si la ley aplicable lo permite, Guillemot y sus filiales renuncian a toda responsabilidad por los daños no relacionados con defectos de materiales o fabricación en relación con el producto (incluyendo, pero no de forma exclusiva, los daños causados de forma directa o indirecta por cualquier software, o por combinar el producto de Thrustmaster con cualquier elemento no adecuado, incluyendo en particular fuentes de alimentación, baterías recargables, cargadores o cualquier otro elemento no suministrado por Guillemot para este producto).

**THRUSTMASTER®**

**SOPORTE TÉCNICO**

<http://support.thrustmaster.com>



## COPYRIGHT

© 2017 Guillemot Corporation S.A. Todos los derechos reservados. Thrustmaster® es una marca registrada de Guillemot Corporation S.A. Todas las demás marcas son propiedad de sus respectivos dueños. Ilustraciones no definitivas. El contenido, la concepción y las especificaciones son susceptibles de cambiar sin previo aviso y varían según el país. Fabricado en China.

## RECOMENDACIÓN DE PROTECCIÓN AMBIENTAL



\* En la Unión Europea: Al terminar su vida útil, este producto no debe tirarse en un contenedor de basuras estándar, sino que debe dejarse en un punto de recogida de desechos eléctricos y equipamiento electrónico para ser reciclado.

Esto viene confirmado por el símbolo que se encuentra en el producto, manual del usuario o embalaje.

Dependiendo de sus características, los materiales pueden reciclarse. Mediante el reciclaje y otras formas de procesamiento de los desechos eléctricos y el equipamiento electrónico puedes contribuir de forma significativa a ayudar a proteger el medio ambiente.

Contacta con las autoridades locales para más información sobre el punto de recogida más cercano. Para los demás países: cumple las leyes locales sobre reciclaje de equipos eléctricos y electrónicos.

Esta información debe conservarse. Los colores y motivos decorativos pueden variar. Los adhesivos y los cierres de plástico se deben quitar del producto antes de utilizarlo.

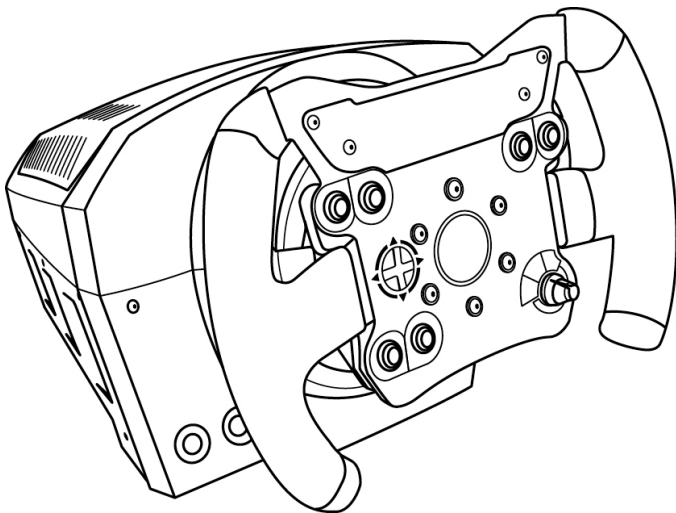
[www.thrustmaster.com](http://www.thrustmaster.com)

*\*Aplicable únicamente a la UE y Turquía*

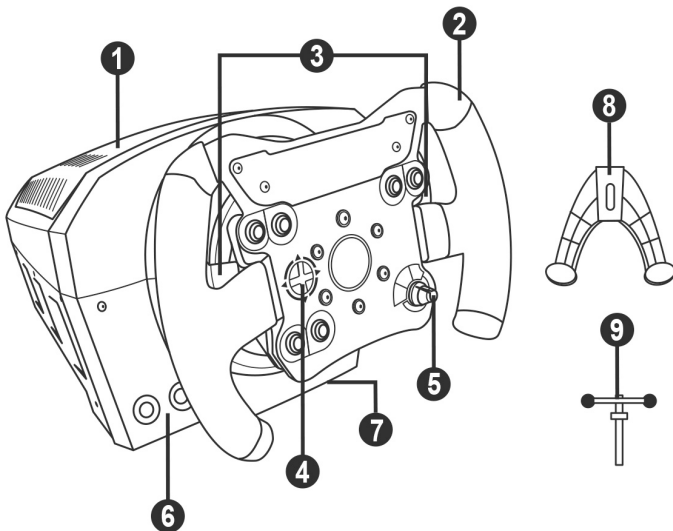


# TS-PC RACER

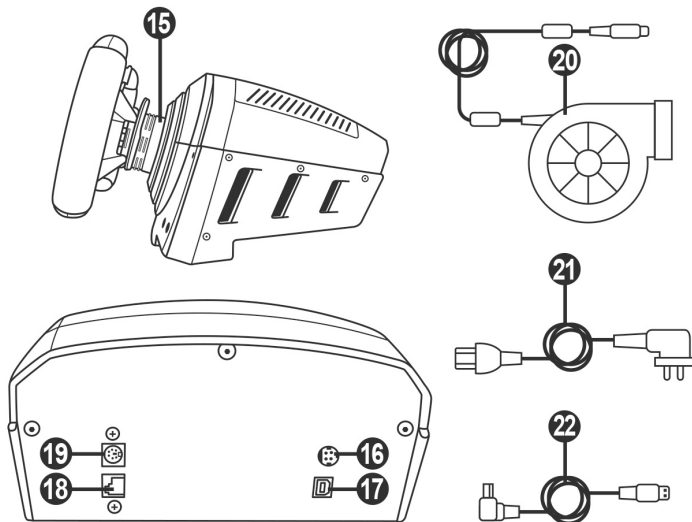
Manual do Utilizador



## CARACTERÍSTICAS TÉCNICAS



- |  |  |
|--|--|
| 1 Base   | 6 Botão MODE + luz indicadora vermelha/verde                           |
| 2 Volante  | 7 Furo roscado grande (para o sistema de fixação e parafuso de aperto) |
| 3 2 pás de mudança de velocidades sequenciais (para cima e para baixo) | 8 Sistema de fixação   |
| 4 D-Pad  | 9 Parafuso de aperto de metal  |
| 5 Seletor giratório com função de pressão                              |  |



- |  |   |
|--|---|
| 15 Thrustmaster Quick Release  | 19 Conector para a alavanca de velocidades TH8A (alavanca de velocidades vendida à parte) |
| 16 Conector para a fonte de alimentação TURBO POWER                        | 20 Fonte de alimentação TURBO POWER   |
| 17 Conector para o cabo USB amovível                                       | 21 Cabo da fonte de alimentação   |
| 18 Conector para o conjunto de pedais (conjunto de pedais vendido à parte) | 22 Cabo USB amovível  |

### LIGAR O VOLANTE A UMA TOMADA ELÉTRICA: LEIA ATENTAMENTE!



**Nunca ligue a fonte de alimentação TURBO POWER a uma tomada elétrica de tensão diferente!** A tensão da fonte de alimentação TURBO POWER é indicada na etiqueta situada por cima do conector fêmea para o cabo da fonte de alimentação.



**Nunca ligue outra fonte de alimentação à base do TS-PC RACER além da fonte de alimentação TURBO POWER, mesmo que o conector seja compatível!** Por exemplo, nunca ligue o transformador do volante T500 RS à base do TS-PC RACER.



## AVISO

Antes de utilizar este produto, leia atentamente este manual e guarde-o para posterior consulta.



### **Atenção – Choque elétrico**

- \* Guarde o produto num local seco e não o exponha ao pó nem à luz do sol.
- \* Não torça nem puxe os conectores e os cabos.
- \* Não derrame líquidos sobre o produto ou os respetivos conectores.
- \* Não provoque um curto-circuito no produto.
- \* Nunca desmonte o produto, não o atire para o fogo nem o exponha a temperaturas elevadas.
- \* Não utilize um cabo de alimentação diferente do fornecido com o volante.
- \* Não utilize o cabo de alimentação se o cabo ou os conectores estiverem danificados, fendidos ou partidos.
- \* Certifique-se de que o cabo de alimentação está corretamente ligado a uma tomada elétrica, assim como ao conector situado na parte posterior da base do volante.
- \* Não abra o volante: não contém peças reparáveis pelo utilizador no interior. Todas as reparações devem ser realizadas pelo fabricante, pelo seu representante autorizado ou por um técnico qualificado.
- \* Utilize apenas sistemas de fixação/acessórios especificados pelo fabricante.
- \* Se o volante estiver a funcionar de forma anormal (se emite quaisquer sons, calor ou cheiros anormais), pare imediatamente de utilizá-lo, desligue o cabo de alimentação da tomada e desligue os outros cabos.
- \* Se não utilizar o volante durante um longo período de tempo, desligue o respetivo cabo de alimentação da tomada elétrica.
- \* A tomada elétrica deve estar situada perto do equipamento e facilmente acessível.



### **Aberturas de ventilação**

Certifique-se de que não tapa as aberturas de ventilação na base do volante. Para uma ventilação ideal, certifique-se do seguinte:

- \* Posicione a base do volante a pelo menos 10 cm de distância de quaisquer paredes.
- \* Não coloque a base em espaços apertados.
- \* Não tape a base.
- \* Não deixe que pó se acumule nas aberturas de ventilação.



**Nunca utilize o conjunto de pedais com os pés descalços  
ou apenas com meias calçadas nos pés.**

**A THRUSTMASTER® NÃO ASSUME QUALQUER RESPONSABILIDADE NA EVENTUALIDADE DE DANOS FÍSICOS RESULTANTES DA UTILIZAÇÃO DO CONJUNTO DE PEDAIS SEM CALÇADO.**



### **Atenção – Ferimentos resultantes dos efeitos Force Feedback e dos movimentos repetidos**

Jogar com um volante Force Feedback poderá causar dores musculares ou articulares. Para evitar quaisquer problemas:

- \* Evite jogar durante longos períodos de tempo.
- \* Faça um intervalo de 10 a 15 minutos após cada hora de jogo.
- \* Se sentir cansaço ou dores nas mãos, pulsos, braços, pés ou pernas, pare de jogar e descanse durante algumas horas antes de recomeçar a jogar.



**Atenção – Ferimentos resultantes dos efeitos Force Feedback e dos movimentos repetidos (continuação)**

- \* Se os sintomas ou as dores indicados persistirem quando recomençar a jogar, pare de jogar e consulte o seu médico.
- \* Guarde o volante fora do alcance das crianças.
- \* Durante o jogo, mantenha sempre ambas as mãos posicionadas corretamente no volante sem o largar por completo.
- \* Durante o jogo, nunca coloque as mãos ou os dedos por baixo dos pedais ou perto do conjunto de pedais.
- \* Durante a calibração e o jogo, nunca coloque a mão ou o braço através das aberturas existentes no volante.
- \* Certifique-se de que a base do volante está devidamente fixada, de acordo com as instruções do manual.



Produto para ser manuseado apenas por utilizadores com 16 anos de idade ou mais velhos

**PRODUTO PESADO**



Tenha cuidado para não deixar cair o produto em cima de si ou de outra pessoa!

**SEMPRE**



## INSTALAR O VOLANTE PS NA RESPECTIVA BASE

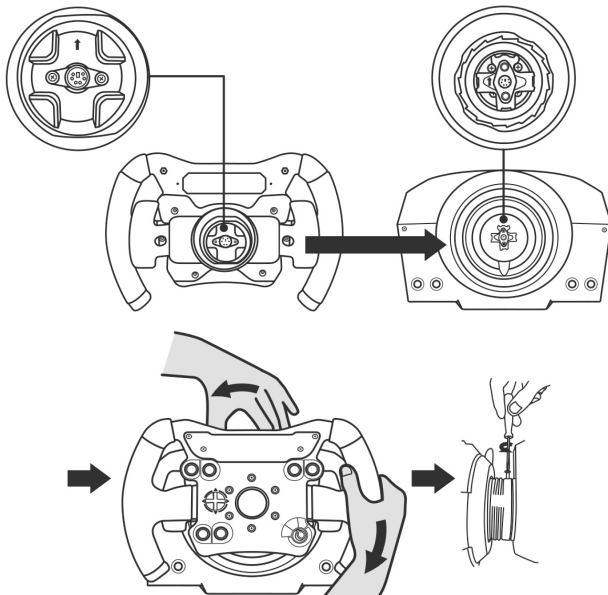
Alinhe as posições dos conectores com as setas:

**Conector da base (1):** Seta a apontar para cima

**Conector do volante (2):** Seta a apontar para cima

Assim que os conectores estiverem posicionados corretamente, rode o anel do dispositivo Thrustmaster Quick Release (15) no sentido anti-horário enquanto mantém o volante (2) na posição.

Em seguida, aperte o anel o máximo que conseguir; para tal, mantenha o anel na posição e rode o volante no sentido horário.



Depois de instalar o volante, rode-o 180° (quando está virado de frente para o volante, o logótipo TM deve ficar virado ao contrário) para aceder ao parafuso de fixação pequeno situado no anel do dispositivo Thrustmaster Quick Release (15). Utilize uma chave de fendas Phillips grande para apertar o parafuso de fixação pequeno (não aplique força excessiva), rodando-o no sentido horário.



**Ao utilizar uma chave de fendas Phillips, NÃO faça força excessiva quando apertar o parafuso de fixação pequeno!**

**Pare de rodar o parafuso assim que sentir alguma resistência.**

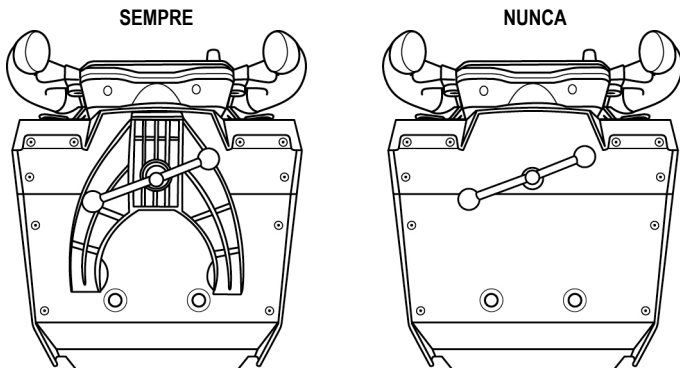
## FIXAR O VOLANTE

### Fixar a base do volante a um cockpit

1. Coloque a base do volante na prateleira do cockpit.
2. Insira dois parafusos M6 (não incluídos) na prateleira do cockpit e em seguida enrosque-os nas duas roscas de parafuso pequenas situadas na parte inferior do volante.  
*Importante:* O comprimento dos dois parafusos M6 não deve exceder a espessura da prateleira + 12 mm; os parafusos mais compridos poderão danificar os componentes internos situados na base do volante.
3. Se necessário, aperte o sistema de fixação padrão inserindo o parafuso de aperto no furo roscado grande.

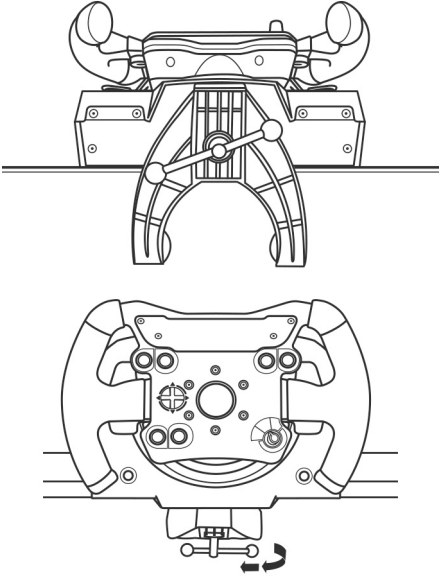
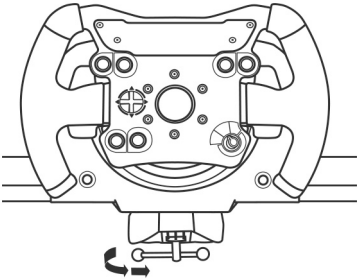
### Fixar o volante a uma mesa ou secretária

1. Coloque o volante sobre uma mesa ou qualquer outra superfície horizontal, plana e estável.
2. Insira o parafuso de aperto (9) no sistema de fixação (8) e em seguida aperte o dispositivo rodando o parafuso no sentido anti-horário, de forma que penetre no furo roscado grande (7) situado por baixo do volante, até o volante estar perfeitamente estável.



#### **AVISO:**

- Nunca aperte o parafuso sozinho, sem o sistema de fixação na posição (isto pode danificar o volante).

FIXAÇÃO / REMOÇÃO	DIREÇÃO
<p><b><u>Para apertar:</u></b></p> <p><i>Rode o parafuso no sentido anti- horário</i></p>	
<p><b><u>Para soltar:</u></b></p> <p><i>Rode o parafuso no sentido horário</i></p>	

## CONFIGURAR O VOLANTE PARA PC

1. Acesse a <http://support.thrustmaster.com> para transferir os controladores e o software de efeitos Force Feedback para o PC. Clique em Racing Wheels / TS-PC RACER e selecione Drivers.
2. Quando a transferência estiver concluída, inicie a instalação e siga as instruções apresentadas no ecrã para ligar a ficha USB do volante ao computador e concluir a instalação.
3. Quando a instalação terminar, clique em Concluir e reinicie o computador.
4. Selecione Iniciar / Todos os Programas / Thrustmaster / FFB Racing Wheel / Control Panel para abrir a janela Controladores de jogos.

A janela Controladores de jogos mostra o nome do volante Thrustmaster TS-PC RACER com o estado OK.

5. Clique em Propriedades para configurar o volante no painel de controlo do TS-PC RACER:
  - Separador Test Input (Testar entrada): permite testar e ver os botões de ações, botões de direção, volante e eixos dos pedais e ajustar o ângulo de rotação do volante nos jogos para PC.
  - Separador Test Forces (Testar forças): permite testar 12 efeitos Force Feedback.
  - Separador Gain Settings (Definições de ganho): permite ajustar a potência dos efeitos Force Feedback nos jogos para PC.

***Está pronto para começar a jogar!***

### Notas gerais:

- No PC, clique em OK para fechar a janela Controladores de jogos antes de iniciar o jogo.
- A versão do firmware do volante é apresentada no canto superior direito dos separadores do painel de controlo.

## ATUALIZAR O FIRMWARE DO VOLANTE

O firmware incluído na base do volante pode ser atualizado para uma versão mais recente que inclua melhoramentos do produto.

Para visualizar a versão do firmware que o volante utiliza atualmente e atualizá-la, se necessário: no PC, acesse a <http://support.thrustmaster.com>. Clique em **Racing Wheels / TS-PC RACER**, em seguida selecione **Firmware** e siga as instruções que descrevem o procedimento de transferência e instalação.

## CALIBRAGEM AUTOMÁTICA DO VOLANTE

O volante calibra-se automaticamente quando liga o volante a uma tomada elétrica e o conector USB do volante.

Durante esta fase, o volante roda rapidamente para a esquerda e direita, cobrindo um ângulo de 1.080 graus, antes de parar no centro.



**Nunca toque no volante durante a fase de autocalibragem!**  
*(Isto poderá causar uma calibragem incorreta e/ou ferimentos pessoais.)*

**Se o volante não funcionar corretamente, ou se parecer estar calibrado incorretamente:**

Encerre o PC e desligue completamente o volante. Em seguida, volte a ligar todos os cabos (incluindo o cabo de alimentação e o conjunto de pedais) e reinicie o PC e o jogo.

## SISTEMA DE REFRIGERAÇÃO INTERNO PARA A BASE DO VOLANTE

O sistema de refrigeração interno da base do volante:

- Começa a funcionar quando o volante é ligado.
- Desliga-se ao fim de alguns minutos de inatividade quando a temperatura interna desce abaixo de um determinado nível.
- Liga-se novamente quando utiliza o volante.

## BOTÃO MODE E LUZ INDICADORA (6)

### Botão MODE para o conjunto de pedais

Pode trocar eletronicamente os pedais do acelerador e da embraiagem se estiver a utilizar um conjunto de pedais Thrustmaster T3PA ou T3PA-PRO ligado ao conector do conjunto de pedais (18).

Para tal, basta premir o botão MODE (6) durante 2 segundos.

A memória interna do volante memoriza se os pedais foram trocados ou não.

PEDAIS DO ACELERADOR E DA EMBRAIAGEM	Cor da luz indicadora MODE (6)
NORMAL	VERMELHO
TROCADOS	VERDE

### Outras informações relativas ao botão MODE

Para saber mais sobre o botão e a luz indicadora MODE, aceda a <http://support.thrustmaster.com>. Clique em **Racing Wheels / TS-PC RACER** e em seguida seleccione **Manual** ou **FAQ**.

## FICHEIROS DE AJUDA E FAQ (NÃO INCLUÍDOS NESTE MANUAL)

Visite <http://support.thrustmaster.com>. Clique em **Racing Wheels / TS-PC RACER** e em seguida seleccione **Manual** ou **FAQ**.

## COMPATIBILIDADE COM O ECOSISTEMA THRUSTMASTER

### Conjuntos de pedais

A base do TS-PC RACER é compatível com:

- Os conjuntos de pedais **Thrustmaster T3PA** e **T3PA-PRO**, que ligam diretamente ao conector do conjunto de pedais **(18)**.
- O Thrustmaster **DB9 PEDALS T.RJ12 ADAPTER**, que permite ligar os conjuntos de pedais não Thrustmaster equipados com um conector DB9 ao conector do conjunto de pedais **(18)**.
- **Todos os conjuntos de pedais USB no mercado** (nos jogos que suportam conjuntos de pedais MULTI-USB e USB).

### Volantes

A base do TS-PC RACER é compatível com todos os volantes amovíveis Thrustmaster, incluindo:

- **Ferrari 599XX EVO 30 Wheel Add-On Alcantara Edition**
- **Ferrari F1 Wheel Add-On**
- **Ferrari GTE Wheel Add-On Ferrari 458 Challenge Edition**
- **TM Leather 28 GT Wheel Add-On**
- **TM Open Wheel Add-On**
- Etc.

### Alavancas de velocidades

A base do TS-PC RACER é compatível com:

- A Thrustmaster **TH8A Shifter Add-On**, que liga diretamente ao conector para a alavanca de velocidades TH8A **(19)** no modo "Sequencial (+/-)", ou a uma porta USB no padrão "H (7+1)" e modos ANALOG / HANDBRAKE.
- **Todas as alavancas de velocidades USB no mercado** (nos jogos que suportam alavancas de velocidades MULTI-USB e USB).

EN

FR

DE

NL

IT

ES

PT

BR

RU

EL

TR

PL

繁體中文

한국어



## **INFORMAÇÕES SOBRE A GARANTIA PARA O CONSUMIDOR**

A Guillemot Corporation S.A., com sede social sita em Place du Granier, B.P. 97143, 35571 Chantepele, França (a seguir designada como “Guillemot”) garante a nível mundial ao consumidor que este produto Thrustmaster está livre de defeitos em termos de materiais e fabrico durante um período de garantia que corresponde ao limite de tempo para intentar uma ação de conformidade relativamente a este produto. Nos países da União Europeia, isto corresponde a um período de dois (2) anos desde a entrega do produto Thrustmaster. Noutros países, o período de garantia corresponde ao limite de tempo para intentar uma ação de conformidade relativamente ao produto Thrustmaster de acordo com a legislação em vigor do país no qual o consumidor residia à data de compra do produto Thrustmaster (se a dita ação não existir no país correspondente, então o período de garantia será de um (1) ano a partir da data de compra original do produto Thrustmaster.

No caso de o produto apresentar algum defeito durante o período da garantia, contacte imediatamente o Suporte Técnico, que lhe indicará o procedimento a tomar. Se esse defeito se confirmar, o produto terá de ser devolvido ao respetivo local de compra (ou qualquer outro local indicado pelo Suporte Técnico).

No âmbito da presente garantia, e por opção do Suporte Técnico, o produto defeituoso do consumidor será substituído ou reparado. Se, durante o período da garantia, o produto Thrustmaster for submetido à dita reparação, qualquer período mínimo de (7) dias durante o qual o produto estiver fora de serviço será adicionado ao período da garantia restante (este período decorre desde a data do pedido intervenção pelo consumidor ou desde a data em que o produto em questão é disponibilizado para reparação, se a data em que o produto é disponibilizado para reparação for posterior à data do pedido de intervenção). Se for permitido pela legislação em vigor, a responsabilidade total da Guillemot e das respetivas filiais (incluindo para danos indiretos) está limitada à reparação ou à substituição do produto Thrustmaster. Se for permitido pela legislação em vigor, a Guillemot rejeita todas as garantias de comercialização ou adequação a um fim específico.

A presente garantia não se aplicará: (1) se o produto tiver sido modificado, aberto, alterado ou danificado em resultado de utilização inadequada ou abusiva, negligência, acidente, desgaste normal ou qualquer outra causa relacionada com um defeito de material ou fabrico (incluindo, mas sem limitação, combinar o produto Thrustmaster com qualquer elemento inadequado, incluindo, em particular, fontes de alimentação, baterias recarregáveis, carregadores ou quaisquer outros elementos não fornecidos pela Guillemot para este produto); (2) se o produto tiver sido utilizado fora do âmbito da utilização doméstica, incluindo para fins profissionais ou comerciais (salas de jogos, treino e competições, por exemplo); (3) na eventualidade de incumprimento das instruções fornecidas pelo Suporte Técnico; (4) a software, estando o mesmo sujeito a uma garantia específica; (5) a consumíveis (elementos para substituir ao longo da vida útil do produto: baterias descartáveis, auscultadores de áudio ou auriculares de auscultadores, por exemplo); (6) a acessórios (cabos, estojos, bolsas, sacos e correias de pulso, por exemplo); (7) se o produto foi vendido num leilão público.

A presente garantia não é transmissível.

Os direitos legais do consumidor no que concerne à legislação aplicável à venda de bens de consumo no seu país não são afetados pela presente garantia.

### Disposições de garantia adicionais

Durante o período da garantia, a Guillemot não fornecerá, em princípio, quaisquer peças de substituição, uma vez que o Suporte Técnico é a única parte autorizada a abrir e/ou reparar qualquer produto Thrustmaster (à exceção de quaisquer procedimentos de reparação que o Suporte Técnico possa pedir ao consumidor para realizar, através de instruções por escrito – por exemplo, devido à simplicidade e à falta de confidencialidade do processo de reparação – e fornecendo ao consumidor a(s) peça(s) de substituição necessária(s), quando aplicável).

Tendo em conta os seus ciclos de inovação, e a fim de proteger o seu know-how e segredos comerciais, a Guillemot não fornecerá, em princípio, qualquer notificação de reparação ou peças de substituição para produtos Thrustmaster cujo período da garantia tenha expirado.

### Responsabilidade

Se for permitido ao abrigo da legislação aplicável, a Guillemot Corporation S.A. (a seguir designada "Guillemot") e as respetivas filiais rejeitam qualquer responsabilidade por danos resultantes de uma ou mais das seguintes causas: (1) o produto foi modificado, aberto ou alterado; (2) incumprimento das instruções de montagem; (3) utilização inadequada ou abusiva, negligência ou acidente (um impacto, por exemplo); (4) desgaste normal; (5) utilização do produto fora do âmbito além da utilização doméstica, incluindo para fins profissionais ou comerciais (salas de jogos, treino e competições, por exemplo). Se for permitido ao abrigo da legislação aplicável, a Guillemot e as respetivas filiais rejeitam qualquer responsabilidade por danos relacionados com um defeito de material ou fabrico relativamente ao produto (incluindo, mas sem limitação, quaisquer danos causados direta ou indiretamente por qualquer software ou por combinar o produto Thrustmaster com qualquer elemento inadequado, incluindo, em particular, fontes de alimentação, baterias recarregáveis, carregadores ou quaisquer outros elementos não fornecidos pela Guillemot para este produto).

**THRUSTMASTER®**

**SUPOORTE TÉCNICO**

<http://support.thrustmaster.com>



## DIREITOS DE AUTOR

© 2017 Guillemot Corporation S.A. Todos os direitos reservados. Thrustmaster® é uma marca registada da Guillemot Corporation S.A. Todas as outras marcas comerciais são pertencem aos respectivos proprietários. As ilustrações não são vinculativas. Os conteúdos, desenhos e especificações estão sujeitos a alteração sem aviso prévio e podem variar de país para país. Fabricado na China.

## RECOMENDAÇÕES DE PROTECÇÃO AMBIENTAL



Na União Europeia: Quando este produto chegar ao fim da sua vida útil, não o elimine juntamente com os resíduos domésticos normais; em vez disso, deixe-o num ponto de recolha de resíduos de equipamento eléctrico e electrónico (REEE) para posterior reciclagem.

O símbolo presente no produto, no manual de utilizador ou na caixa confirma-o.

Os materiais podem ser reciclados, dependendo das suas características. Através da reciclagem e de outras formas de processamento de resíduos de equipamento eléctrico e electrónico, pode dar um importante contributo no sentido de ajudar a proteger o ambiente.

Contacte as autoridades locais para saber onde fica o ponto de recolha mais perto da sua área de residência.

Relativamente a todos os outros países: Respeite a legislação local sobre a reciclagem de equipamento eléctrico e electrónico.

Informações a reter. As cores e as decorações podem variar.

Os fechos e os adesivos devem ser removidos do produto antes da utilização.

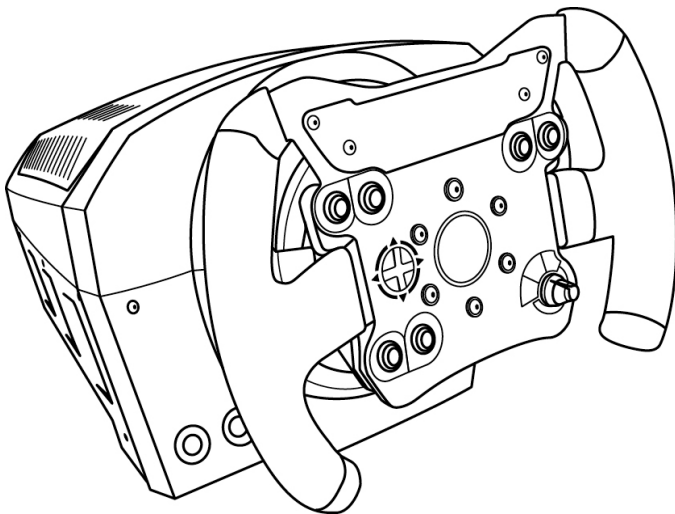
[www.thrustmaster.com](http://www.thrustmaster.com)

*\*Aplicável apenas à União Europeia e Turquia*



# TS-PC RACER

Manual do Usuário



EN

FR

DE

NL

IT

ES

PT

**BR**

RU

EL

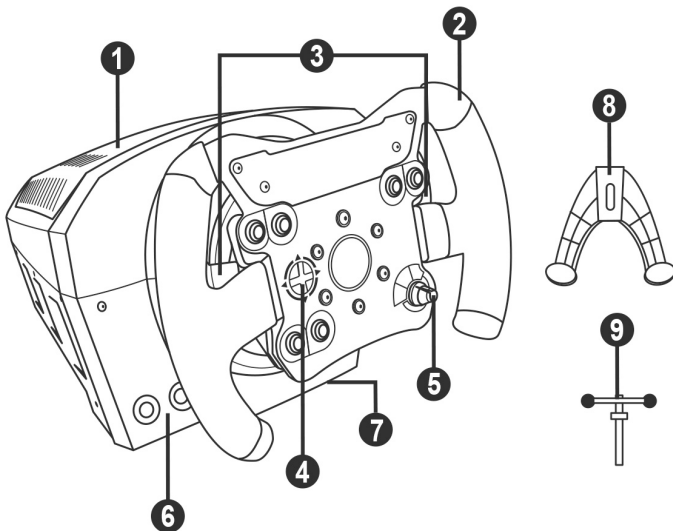
TR

PL

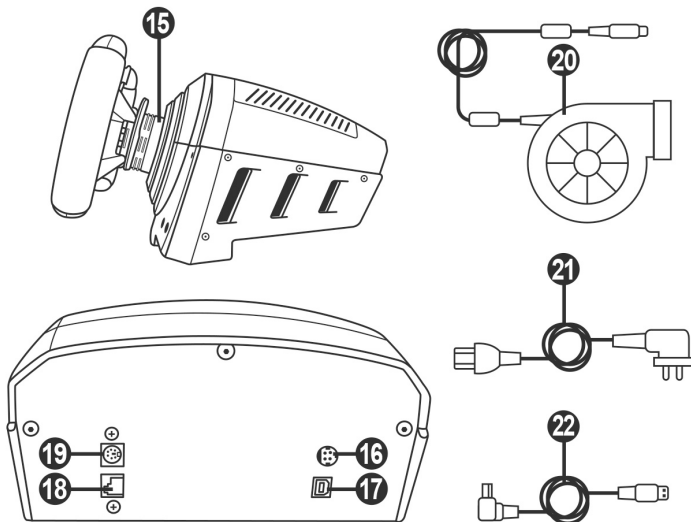
繁體中文

한국어

## CARACTERÍSTICAS TÉCNICAS



- |  |   |
|--|---|
| 1 Base   | 6 Botão MODE + luz indicadora vermelha/verde              |
| 2 Volante  | 7 Orifício com rosca (para sistema e parafuso de fixação) |
| 3 2 borboletas de câmbio sequencial (para cima e para baixo) | 8 Sistema de fixação                                      |
| 4 D-pad  | 9 Parafuso de metal para fixação                          |
| 5 Botão giratório com função de empurrar                     |   |



- 15 Desengate rápido Thrustmaster
- 16 Conector para fonte de alimentação TURBO POWER
- 17 Conector para cabo USB removível
- 18 Conector para conjunto de pedais (conjunto de pedais vendido separadamente)
- 19 Conector para câmbio TH8A (câmbio vendido separadamente)
- 20 Fonte de alimentação TURBO POWER
- 21 Cabo de alimentação
- 22 Cabo USB removível

### CONEXÃO DO VOLANTE A UMA TOMADA ELÉTRICA: LEIA COM ATENÇÃO!



**Jamais conecte a fonte de alimentação TURBO POWER a uma tomada elétrica com uma tensão diferente!** A tensão da fonte de alimentação TURBO POWER é indicada na etiqueta localizada acima do conector fêmea para o cabo de alimentação.



**Jamais conecte uma fonte de alimentação que não seja a TURBO POWER à base TS-PC RACER, mesmo que o conector seja compatível!** Por exemplo, jamais conecte o adaptador de alimentação do volante T500 RS à base TS-PC RACER.

## AVISOS

Antes de utilizar este produto, leia atentamente este manual e guarde-o para consultas futuras.



### **Atenção – Choque elétrico**

- \* Guarde o produto num local seco e não exponha-o ao pó nem à luz do sol.
- \* Não torça nem puxe os conectores e os cabos.
- \* Não derrame líquidos sobre o produto ou nos respetivos conectores.
- \* Não provoque um curto-circuito no produto.
- \* Nunca desmonte o produto, não o atire para o fogo nem o exponha a temperaturas elevadas.
- \* Não utilize um cabo de alimentação diferente do fornecido com o volante.
- \* Não utilize o cabo de alimentação se o cabo ou os conectores estiverem danificados, fendidos ou partidos.
- \* Certifique-se de que o cabo de alimentação está corretamente ligado a uma tomada elétrica, assim como ao conector situado na parte posterior da base do volante.
- \* Não abra o volante: ele não contém peças reparáveis pelo usuário no interior. Todos os consertos devem ser realizados pelo fabricante, pelo seu representante autorizado ou por um técnico qualificado.
- \* Utilize apenas sistemas de fixação/acessórios especificados pelo fabricante.
- \* Se o volante estiver funcionando de forma anormal (se emite quaisquer sons, calor ou cheiros anormais), pare imediatamente de utilizá-lo, desligue o cabo de alimentação da tomada e desligue os outros cabos.
- \* Se não utilizar o volante durante um longo período de tempo, desligue o respectivo cabo de alimentação da tomada elétrica.
- \* A tomada elétrica deve estar localizada perto do equipamento, e deve ser facilmente acessível.



### **Aberturas de ventilação**

Certifique-se de não tapar as aberturas de ventilação na base do volante. Para uma ventilação ideal, certifique-se do seguinte:

- \* Posicione a base do volante a pelo menos 10 cm de distância de quaisquer paredes.
- \* Não coloque a base em espaços apertados.
- \* Não tape a base.
- \* Não deixe que pó se acumule nas aberturas de ventilação.



**Por razões de segurança, nunca utilize o conjunto de pedais com os pés descalços ou apenas com meias calçadas nos pés.**

**A THRUSTMASTER® NÃO ASSUME QUALQUER RESPONSABILIDADE NA EVENTUALIDADE DE DANOS FÍSICOS RESULTANTES DA UTILIZAÇÃO DO CONJUNTO DE PEDAIS SEM CALÇADO.**



### **Atenção – Ferimentos resultantes dos efeitos Force Feedback e dos movimentos repetidos**

Jogar com um volante Force Feedback pode causar dores musculares ou articulares. Para evitar quaisquer problemas:

- \* Evite jogar durante longos períodos de tempo.
- \* Faça um intervalo de 10 a 15 minutos após cada hora de jogo.
- \* Se sentir cansaço ou dores nas mãos, pulsos, braços, pés ou pernas, pare de jogar e descanse durante algumas horas antes de recomeçar a jogar.



**Atenção – Ferimentos resultantes dos efeitos Force Feedback e dos movimentos repetidos (continuação)**

- \* Se os sintomas ou as dores acima indicados persistirem quando recomeçar a jogar, pare de jogar e consulte o seu médico.
- \* Guarde o volante fora do alcance de crianças.
- \* Durante o jogo, mantenha sempre ambas as mãos posicionadas corretamente no volante sem largá-lo por completo.
- \* Durante o jogo, nunca coloque as mãos ou os dedos por baixo dos pedais ou perto do conjunto de pedais.
- \* Durante a calibração e o jogo, nunca coloque a mão ou o braço através das aberturas existentes no volante.
- \* Certifique-se de que a base do volante está devidamente fixada, de acordo com as instruções do manual.



Produto para ser manuseado apenas por usuários com 16 anos de idade ou mais

**PRODUTO PESADO**



Tenha cuidado para não deixar cair o produto em cima de si ou de outra pessoa!

**SEMPRE**





## INSTALAR O VOLANTE NA RESPECTIVA BASE

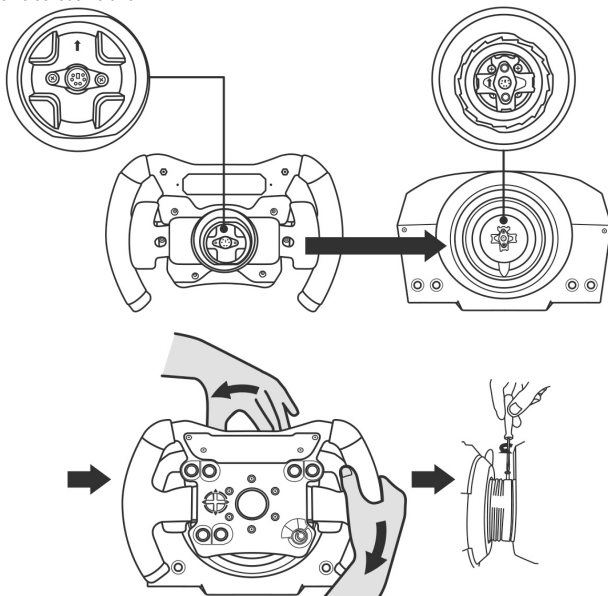
Alinhe as posições dos conectores com as setas:

**Conector da base (1):** Seta apontando para cima

**Conector do volante (2):** Seta apontando para cima

Assim que os conectores estiverem posicionados corretamente, gire o anel do dispositivo Thrustmaster Quick Release (15) no sentido anti-horário enquanto mantém o volante (2) na posição.

Em seguida, aperte o anel o máximo que conseguir; para tal, mantenha o anel na posição e gire o volante no sentido horário.



Depois de instalar o volante, gire-o 180° (quando estiver virado de frente para o volante, o logotipo TM deve ficar virado ao contrário) para acessar o parafuso de fixação pequeno situado no anel do dispositivo Thrustmaster Quick Release (15). Utilize uma chave de fenda Phillips grande para apertar o parafuso de fixação pequeno (não aplique força excessiva), girando-o no sentido horário.



**Não aplique força excessiva ao apertar o parafuso de fixação pequeno  
(com uma chave de fenda Phillips)!**

**Pare de girar o parafuso assim que sentir alguma resistência.**

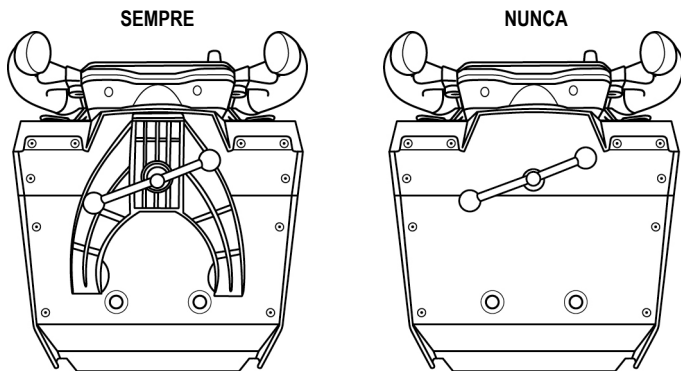
## FIXAR O VOLANTE

### Fixar a base do volante a um cockpit

1. Coloque a base do volante na prateleira do cockpit.
2. Insira dois parafusos M6 (não incluídos) na prateleira do cockpit e, em seguida, enrosque-os nas duas roscas de parafuso pequenas situadas na parte inferior do volante.  
*Importante:* O comprimento dos dois parafusos M6 não deve exceder a espessura da prateleira + 12 mm; os parafusos mais compridos poderão causar danos nos componentes internos situados na base do volante.
3. Se necessário, aperte o sistema de fixação padrão inserindo o parafuso de aperto no furo roscado grande.

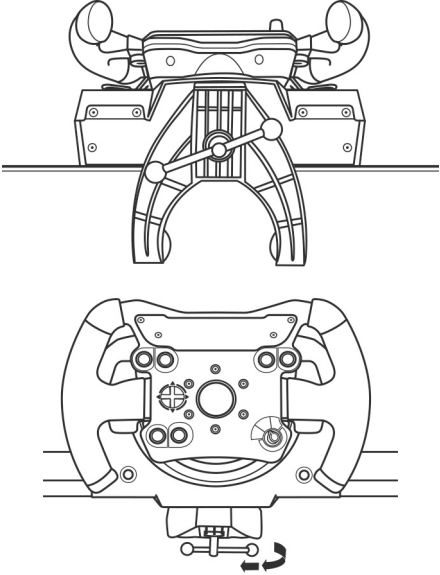
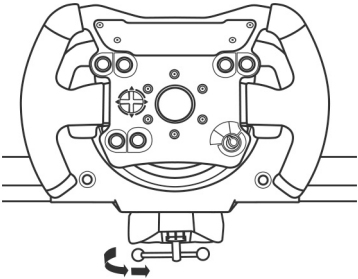
### Fixar o volante a uma mesa

1. Coloque o volante sobre uma mesa ou qualquer outra superfície horizontal, plana e estável.
2. Insira o parafuso de aperto (9) no sistema de fixação (8), depois aperte o dispositivo girando o parafuso no sentido anti-horário, de forma que penetre no furo roscado grande (7) situado abaixo do volante, até o volante estar perfeitamente estável.



#### **ATENÇÃO:**

- Nunca aperte apenas o parafuso, sem o sistema de fixação instalado! (Se o fizer, poderá danificar o volante.)

FIXAÇÃO / REMOÇÃO	DIREÇÃO
<p><b><u>Para apertar:</u></b></p> <p><i>Gire o parafuso no sentido anti- horário</i></p>	
<p><b><u>Para soltar:</u></b></p> <p><i>Gire o parafuso no sentido horário</i></p>	

## CONFIGURAR O VOLANTE PARA O PC

1. Visite <http://support.thrustmaster.com> para baixar os drivers e o software force feedback para PC. Clique em Volantes/TS-PC RACER, depois selecione Drivers.
2. Quando o download for concluído, inicie a instalação e siga as instruções na tela para conectar o volante ao computador via USB e completar a instalação.
3. Quando a instalação for concluída, clique em Finalizar e reinicie o computador.
4. Selecione Iniciar / Todos os Programas / Thrustmaster / FFB Racing Wheel / Painel de Controle para abrir a janela Controladores de Jogo.

A janela Controladores de Jogo exibe o nome Thrustmaster TS-PC RACER e o status OK.

5. Clique em Propriedades para configurar o volante no painel de controle do TS-PC RACER:
  - Aba Test Input: permite testar e visualizar os botões de ação, os botões direcionais, os eixos do volante e dos pedais e ajustar o ângulo de rotação do volante em jogos para PC.
  - Aba Test Forces: permite testar os 12 efeitos de force feedback.
  - Aba Gain Settings: permite ajustar a força dos efeitos force feedback nos jogos para PC.

***Você está pronto para jogar!***

### Observações gerais:

- No PC, clique em OK para fechar a janela Controladores de Jogo antes de iniciar o jogo.
- A versão do firmware do volante é exibida no canto superior direito do painel de controle.

## ATUALIZAR O FIRMWARE DO VOLANTE

O firmware incluído na base do volante pode ser atualizado para uma versão mais recente que inclua melhoramentos do produto.

Para visualizar a versão do firmware que o volante utiliza atualmente e atualizá-la, se necessário: no PC, acesse <http://support.thrustmaster.com>. Clique em **Volantes / TS-PC RACER**, selecione **Firmware** e siga as instruções que descrevem o procedimento de transferência e instalação.

## CALIBRAGEM AUTOMÁTICA DO VOLANTE

O volante é calibrado automaticamente ao conectá-lo a uma tomada e a um conector USB. Durante esta fase, o volante irá girar rapidamente para a esquerda e para a direita, cobrindo um ângulo de 1080 graus antes de parar no centro.



**AVISO:**

**Nunca toque no volante durante a calibragem automática!  
(Isso pode causar uma calibragem incorreta e/ou ferimentos.)**

**Se o volante não funciona corretamente, ou parece estar calibrado incorretamente:**

Desligue o PC e desconecte o volante completamente. Depois reconecte todos os cabos (incluindo o cabo de alimentação e o conjunto de pedais) e reinicie o PC e o jogo.

## SISTEMA DE RESFRIAMENTO INTERNO DA BASE DO VOLANTE

O sistema de resfriamento interno da base do volante:

- Começa a funcionar quando o volante é ligado.
- É desligado após alguns minutos de inatividade, quando a temperatura interna é reduzida a um nível baixo.
- É ligado novamente ao usar o volante.

## BOTÃO MODE E LUZ INDICADORA (6)

### Botão MODE do conjunto de pedais

Você pode alternar eletronicamente os pedais do acelerador e da embreagem se estiver usando um conjunto de pedais Thrustmaster T3PA ou T3PA-PRO conectado ao conector para conjunto de pedais (18).

Para fazer isso, basta pressionar o botão MODE (6) por 2 segundos.

A memória interna do volante registra se os pedais foram alternados ou não.

PEDAIS DO ACELERADOR E DA EMBREAGEM	Cor da luz indicadora MODE (6)
NORMAL	VERMELHO
ALTERNADO	VERDE

### Outras informações sobre o botão MODE

Para saber mais sobre o botão MODE e a luz indicadora, visite <http://support.thrustmaster.com>. Clique em **Volantes / TS-PC RACER** e selecione **Manual** ou **FAQ**.

## ARQUIVOS DE AJUDA E PERGUNTAS FREQUENTES (NÃO INCLUÍDOS NESTE MANUAL)

Visite <http://support.thrustmaster.com>. Clique em **Volantes / TS-PC RACER** e selecione **Manual** ou **FAQ**.

## COMPATIBILIDADE COM O ESCOSSISTEMA THRUSTMASTER

### Conjuntos de pedais

A base TS-PC RACER é compatível com:

- Os conjuntos de pedais **Thrustmaster T3PA** e **T3PA-PRO**, que são conectados diretamente ao conector para conjunto de pedais **(18)**.
- O **ADAPTADOR T.RJ12 PARA PEDAIS DB9** que permite conectar pedais de outras marcas com um conector DB9 ao conector para conjunto de pedais **(18)**.
- **Todos os conjuntos de pedais USB no mercado** (em jogos compatíveis com conjuntos de pedais MULTI-USB e USB).

### Volantes

O base TS-PC RACER é compatível com todos os volantes removíveis da Thrustmaster, incluindo:

- **Ferrari 599XX EVO 30 Wheel Add-On Alcantara Edition**
- **Ferrari F1 Wheel Add-On**
- **Ferrari GTE Wheel Add-On Ferrari 458 Challenge Edition**
- **TM Leather 28 GT Wheel Add-On**
- **TM Open Wheel Add-On**
- etc.

### Câmbios

A base TS-PC RACER é compatível com:

- O Thrustmaster **TH8A Shifter Add-On** que é conectado diretamente ao conector do câmbio TH8A **(19)** no modo "Sequencial (+/-)", ou a uma porta USB no "padrão H(7+1)" e nos modos ANALÓGICO/FREIO DE MÃO.
- **TODOS OS CÂMBIOS USB NO MERCADO (EM JOGOS COMPATÍVEIS COM CÂMBIOS MULTI-USB E USB)**

EN

FR

DE

NL

IT

ES

PT

BR

RU

EL

TR

PL

繁體中文

한국어

## **INFORMAÇÕES SOBRE A GARANTIA PARA O CONSUMIDOR**

A Guillemot Corporation S.A., com sede social situada em Place du Granier, B.P. 97143, 35571 Chantepeie, França (a seguir designada como "Guillemot") garante a nível mundial ao consumidor que este produto Thrustmaster está livre de defeitos em termos de materiais e fabricação durante um período de garantia que corresponde ao limite de tempo para intentar uma ação de conformidade relativamente a este produto. Nos países da União Europeia, isto corresponde a um período de dois (2) anos desde a entrega do produto Thrustmaster. Em outros países, o período de garantia corresponde ao limite de tempo para intentar uma ação de conformidade relativamente ao produto Thrustmaster de acordo com a legislação em vigor do país no qual o consumidor residia na data de compra do produto Thrustmaster (se tal ação não existir no país correspondente, então o período de garantia será de um (1) ano a partir da data de compra original do produto Thrustmaster).

Não obstante o supracitado, as baterias recarregáveis são cobertas por um período de garantia de seis (6) meses a partir da data de compra original.

No caso de o produto apresentar algum defeito durante o período da garantia, contate imediatamente o Suporte Técnico, que lhe indicará o procedimento a tomar. Se o defeito se confirmar, o produto deverá ser devolvido ao respetivo local de compra (ou qualquer outro local indicado pelo Suporte Técnico).

No âmbito da presente garantia, e por opção do Suporte Técnico, o produto defeituoso do consumidor será substituído ou reparado. Se, durante o período da garantia, o produto Thrustmaster for submetido à dita reparação, qualquer período mínimo de (7) dias durante o qual o produto estiver fora de serviço será adicionado ao período da garantia restante (este período decorre desde a data do pedido intervenção pelo consumidor ou desde a data em que o produto em questão é disponibilizado para reparação, se a data em que o produto é disponibilizado para reparação for posterior à data do pedido de intervenção). Se for permitido pela legislação em vigor, a responsabilidade total da Guillemot e das respectivas subsidiárias (incluindo para danos indiretos) está limitada à reparação ou à substituição do produto Thrustmaster. Se for permitido pela legislação em vigor, a Guillemot rejeita todas as garantias de comercialização ou adequação a um fim específico.

A presente garantia não se aplicará: (1) se o produto tiver sido modificado, aberto, alterado ou danificado como resultado de utilização inadequada ou abusiva, negligência, acidente, desgaste normal ou qualquer outra causa relacionada a um defeito de material ou fabricação (incluindo, mas sem limitação, combinar o produto Thrustmaster com qualquer elemento inadequado, incluindo, em particular, fontes de alimentação, baterias recarregáveis, carregadores ou quaisquer outros elementos não fornecidos pela Guillemot para este produto); (2) se o produto tiver sido usado para qualquer outro propósito além do uso doméstico, inclusive para fins profissionais ou comerciais (salas de jogos, treinamento ou competições, por exemplo); (3) na eventualidade de não cumprimento das instruções fornecidas pelo Suporte Técnico; (4) a software, estando o mesmo sujeito a uma garantia específica; (5) a consumíveis (elementos para substituir ao longo da vida útil do produto, como baterias descartáveis e almofadas de fones de ouvido, por exemplo); (6) a acessórios (cabos, estojos, bolsas, sacos e correias de pulso, por exemplo); (7) se o produto foi vendido num leilão público.

A presente garantia não é transmissível.

Os direitos legais do consumidor no que concerne à legislação aplicável à venda de bens de consumo no seu país não são afetados pela presente garantia.

### Disposições de garantia adicionais

Durante o período da garantia, a Guillemot não fornecerá, em princípio, quaisquer peças de substituição, uma vez que o Suporte Técnico é a única parte autorizada a abrir e/ou reparar qualquer produto Thrustmaster (exceto por quaisquer procedimentos de reparação que o Suporte Técnico possa pedir ao consumidor para realizar, através de instruções por escrito – por exemplo, devido à simplicidade e à falta de confidencialidade do processo de reparação – e fornecendo ao consumidor a(s) peça(s) de substituição necessária(s), quando aplicável).

Tendo em conta os seus ciclos de inovação, e a fim de proteger o seu know-how e segredos comerciais, a Guillemot não fornecerá, em princípio, qualquer notificação de reparação ou peças de substituição para produtos Thrustmaster cujo período da garantia tenha expirado.

Nos Estados Unidos da América e no Canadá, a presente garantia está limitada ao mecanismo interno e à caixa do produto. Em nenhuma circunstância serão a Guillemot ou as respectivas subsidiárias consideradas responsáveis perante terceiros por quaisquer danos indiretos ou acidentais resultantes da violação de quaisquer garantias expressas ou implícitas. Alguns estados/províncias não permitem a limitação da duração de uma garantia implícita ou a exclusão ou limitação de responsabilidade por danos indiretos ou acidentais, portanto as limitações ou exclusões supracitadas podem não se aplicar a você. A presente garantia concede-lhe direitos legais específicos, e você também pode ter outros direitos, que variam de acordo com o estado ou a província.

### Responsabilidade

Se for permitido pela legislação em vigor, a Guillemot Corporation S.A. (a seguir designada como "Guillemot") e as respectivas subsidiárias rejeitam qualquer responsabilidade por quaisquer danos resultantes de uma ou mais das seguintes causas: (1) o produto foi modificado, aberto ou alterado; (2) não cumprimento das instruções de montagem; (3) utilização imprópria ou abusiva, negligência ou acidente (um impacto, por exemplo); (4) desgaste normal; (5) utilização do produto para qualquer outro propósito além do uso doméstico, inclusive para fins profissionais ou comerciais (salas de jogos, treinamento ou competições, por exemplo). Se for permitido ao abrigo da legislação aplicável, a Guillemot e as respectivas subsidiárias rejeitam qualquer responsabilidade por danos relacionados a um defeito de material ou fabricação relativamente ao produto (incluindo, mas sem limitação, quaisquer danos causados direta ou indiretamente por qualquer software ou por combinar o produto Thrustmaster com qualquer elemento inadequado, incluindo, em particular, fontes de alimentação, baterias recarregáveis, carregadores ou quaisquer outros elementos não fornecidos pela Guillemot para este produto).

**THRUSTMASTER®**

**SUORTE TÉCNICO**

<http://support.thrustmaster.com>





## DECLARAÇÃO DE CONFORMIDADE

Aviso de Cumprimento dos EUA: Este equipamento foi testado e considerado em conformidade com os limites para um dispositivo digital Classe B, conforme a Parte 15 das regras da FCC.

## DIREITOS AUTORAIS

© 2017 Guillemot Corporation S.A. Todos os direitos reservados. Thrustmaster® é uma marca registrada da Guillemot Corporation S.A.

Todas as outras marcas comerciais e nomes de marcas são por este meio reconhecidas e pertencem aos respectivos proprietários. As ilustrações não são vinculativas. Os conteúdos, desenhos e especificações estão sujeitos a alteração sem aviso prévio e podem variar de país para país. Fabricado na China.

## RECOMENDAÇÕES DE PROTEÇÃO AMBIENTAL

Respeite a legislação local sobre a reciclagem de equipamento elétrico e eletrônico.

Guarde estas informações. As cores e as decorações podem variar.

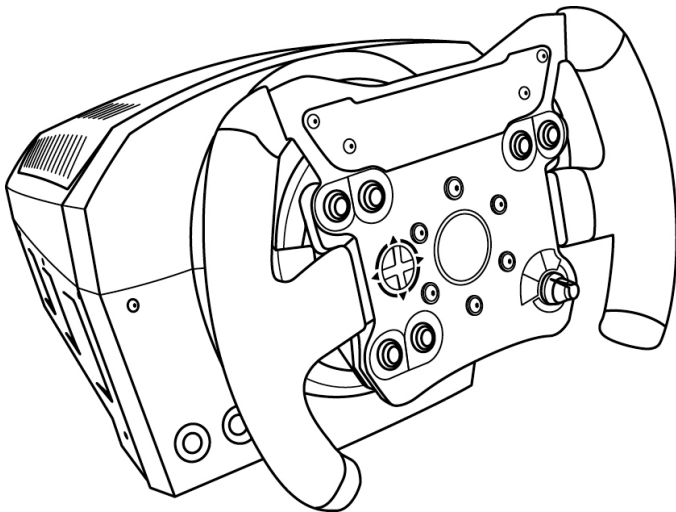
Os prendedores de plástico e os adesivos devem ser removidos do produto antes da utilização.

[www.thrustmaster.com](http://www.thrustmaster.com)



# TS-PC RACER

Руководство пользователя



EN

FR

DE

NL

IT

ES

PT

BR

**RU**

EL

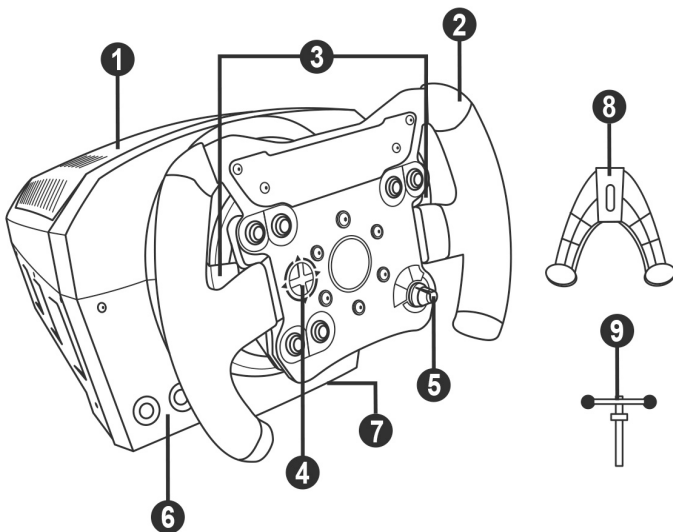
TR

PL

繁體中文

한국어

## ТЕХНИЧЕСКИЕ ХАРАКТЕРИСТИКИ



1 База системы

2 Руль

3 2 лепестковых переключателя (вверх и вниз)

4 Многопозиционная кнопка

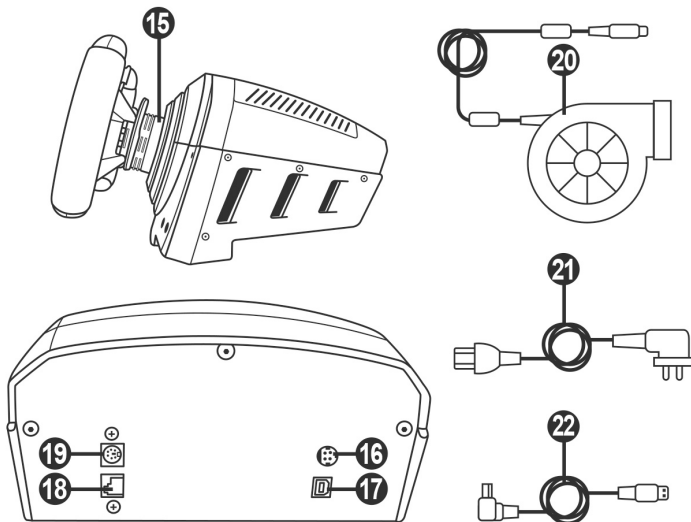
5 Поворотный переключатель с нажимной кнопкой

6 Кнопка MODE + красный/зеленый индикатор

7 Резьба под большой винт (для системы крепления и крепежного винта)

8 Система крепления

9 Металлический крепежный винт



- 15 Система крепления Thrustmaster Quick Release
- 16 Разъем для блока питания TURBO POWER
- 17 Разъем для съемного USB-кабеля
- 18 Разъем для pedalного блока (pedальный блок приобретается отдельно)
- 19 Разъем для переключателя TH8A (переключатель приобретается отдельно)
- 20 Блок питания TURBO POWER
- 21 Кабель блока питания
- 22 Съемный USB-кабель

### ПОДКЛЮЧЕНИЕ РУЛЕВОЙ СИСТЕМЫ К ЭЛЕКТРОРОЗЕТКЕ ВНИМАТЕЛЬНО ПРОЧТИТЕ СЛЕДУЮЩЕЕ!



**Ни в коем случае не подключайте блок питания TURBO POWER к электросети с недопустимым напряжением! Допустимое напряжение блока питания TURBO POWER указано на ярлычке над гнездом для подключения кабеля.**



**Ни в коем случае не подключайте к базе TS-PC RACER иной блок питания, кроме TURBO POWER, даже в случае совместимости разъема! В частности, нельзя подключать к базе TS-PC RACER сетевой адаптер для руля T500 RS.**

## ПРЕДУПРЕЖДЕНИЯ

Перед эксплуатацией данного изделия внимательно ознакомьтесь с настоящей инструкцией и сохраните ее на будущее.



### **Внимание — опасность поражения электрическим током!**

- \* Изделие следует хранить в сухом месте, избегая попадания на него пыли и солнечного света.
- \* Не допускается перекручивание разъемов и кабелей; кабели нельзя тянуть.
- \* Не допускается попадание жидкости на изделие и его разъемы.
- \* Не допускается короткое замыкание в цепи изделия.
- \* Запрещается разбирать изделие, бросать изделие в огонь и подвергать его воздействию высоких температур.
- \* Не допускается использование других кабелей питания, кроме кабеля, входящего в комплект рулевой системы.
- \* Нельзя использовать кабель питания, если он или его разъемы повреждены, потрескались или сломаны.
- \* Убедитесь, что кабель питания должным образом подключен к электророзетке и к разъему на задней стороне базы рулевого колеса.
- \* Нельзя вскрывать систему рулевого колеса — в ней нет деталей, которые могут обслуживаться пользователем. Любой ремонт должен выполняться производителем, его авторизованным представителем или квалифицированным техническим специалистом.
- \* Допускается использование только одобренных производителем систем крепления и аксессуаров.
- \* В случае ненормального функционирования рулевой системы (при возникновении посторонних звуков, перегреве или запахе) следует немедленно прекратить использование системы, выключить кабель питания из розетки и отсоединить все остальные кабели.
- \* Если предполагается, что рулевая система не будет использоваться продолжительное время, отключите кабель питания от розетки.
- \* Электророзетка должна находиться поблизости от системы и в удобном доступе.



### **Вентиляционные отверстия**

Не допускается блокирование вентиляционных отверстий на базе рулевой системы. Для обеспечения оптимальной вентиляции выполните следующие указания:

- \* размещайте базу руля на расстоянии не менее 10 см от стен;
- \* не размещайте базу в стесненном пространстве;
- \* ничем не накрывайте базу;
- \* не допускайте скопления пыли на вентиляционных отверстиях.



**Из соображений безопасности никогда не нажимайте на педали босой ногой или ногой в носке (без обуви).**

**КОМПАНИЯ THRUSTMASTER® ОТКАЗЫВАЕТСЯ ОТ ЛЮБОЙ ОТВЕТСТВЕННОСТИ В СЛУЧАЕ ПОЛУЧЕНИЯ ТРАВМЫ В РЕЗУЛЬТАТЕ НАЖИМАНИЯ НА ПЕДАЛИ НЕОБУТЫМИ НОГАМИ.**



**Внимание — риск травмирования в результате повторяющихся движений и действия силовой обратной связи**

Использование рулевой системы с силовой обратной связью может вызвать боль в мышцах или суставах. Советы по предотвращению проблем со здоровьем:

- \* не проводите за игрой продолжительное время;
- \* после каждого часа игры делайте 10-15-минутный перерыв;
- \* если в кистях, запястьях, предплечьях, стопах или ногах появилась усталость или боль, прекратите игру и отдохните в течение нескольких часов, прежде чем снова приступить к игре.
- \* если вышеуказанные признаки проявляются снова при возвращении к игре, прекратите игру и обратитесь к врачу;
- \* держите систему вне доступа детей;
- \* во время игры правильно располагайте обе руки на рулевом колесе и не позволяйте ему вращаться бесконтрольно;
- \* во время игры ни в коем случае не засовывайте руки или пальцы под педали и не держите их рядом с педальным блоком;
- \* во время калибровки и игры ни в коем случае не засовывайте руки в рулевое колесо;
- \* обеспечьте надежную фиксацию базы рулевого колеса в соответствии с указаниями в инструкции по эксплуатации.



Не допускается использование изделия лицами моложе 16 лет

**ТЯЖЕЛОЕ ИЗДЕЛИЕ**



Не роняйте изделие на себя или на других лиц!

**ПРАВИЛЬНО**



## УСТАНОВКА РУЛЕВОГО КОЛЕСА НА БАЗУ

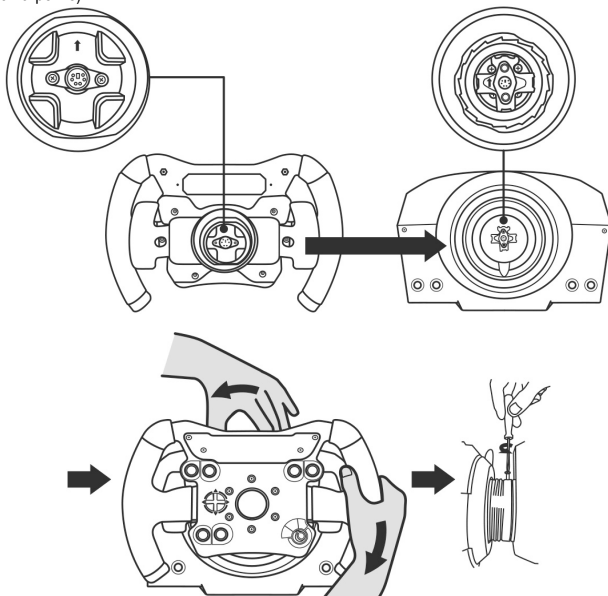
С помощью стрелок соотнесите разъемы.

**Разъем на базе (1):** стрелка указывает вверх.

**Разъем на руле (2):** стрелка указывает вверх.

После правильного позиционирования разъемов просто поверните кольцо крепежной системы Thrustmaster Quick Release (15) против часовой стрелки, удерживая на месте руль (2).

Затем с максимальным усилием затяните кольцо, удерживая его на месте и поворачивая руль (по часовой стрелке).



Установив руль, поверните его на 180° (если смотреть на руль, логотип ТМ должен быть перевернут «вверх ногами»), чтобы получить доступ к малому крепежному винту на кольце системы Thrustmaster Quick Release (15). С помощью большой отвертки Phillips затяните малый крепежный винт (без чрезмерного усилия) по часовой стрелке.



**Не прилагайте чрезмерных усилий при затягивании малого крепежного винта (с помощью отвертки Phillips)!**

**Прекратите затягивание, как только почувствуете сопротивление**

## УСТАНОВКА РУЛЕВОЙ СИСТЕМЫ

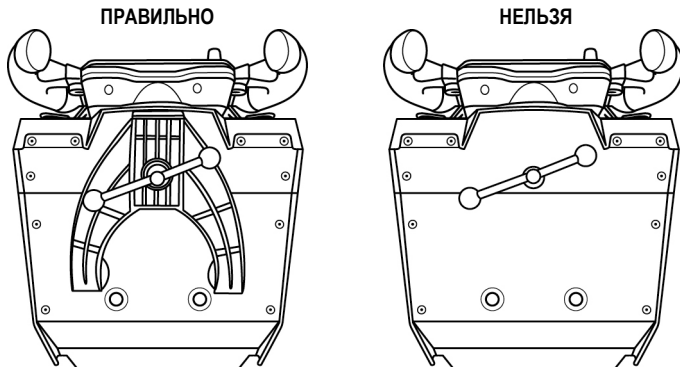
### Закрепление базы рулевого колеса на кокпите

1. Разместите базу рулевого колеса на щитке кокпита.
2. Через отверстия в щитке кокпита вставьте два винта М6 (не входят в комплект) в два наибольших винтовых отверстия на нижней стороне базы руля.  
*Важно! Длина винтов М6 не должна превышать толщину щитка + 12 мм; более длинные винты могут вызвать повреждение внутренних деталей базы руля.*
3. При необходимости затяните стандартную систему крепления, вставив крепежный винт в большое резьбовое отверстие.

**ВНИМАНИЕ!** Нельзя снимать прокладки из пены на нижней стороне базы рулевой системы! Эти прокладки усиливают эффекты системы T-DFB при установленном руле.

### Размещение рулевого колеса на столе.

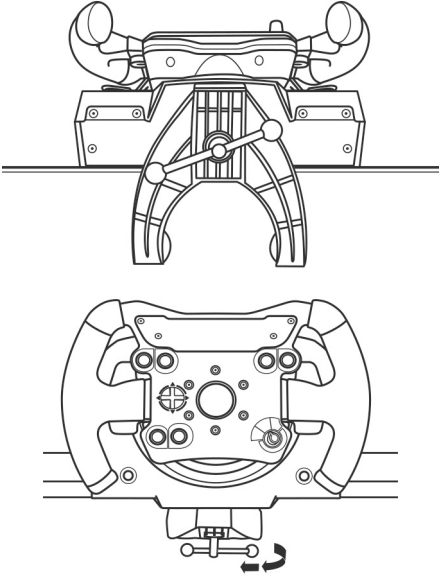
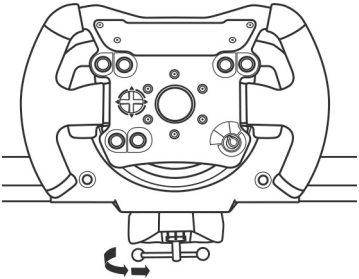
1. Расположите гоночный руль на столе или иной горизонтальной плоской и устойчивой поверхности.
2. Вставьте крепежный винт (9) в систему крепления (8) и надежно зафиксируйте руль, затягивая винт против часовой стрелки, так чтобы он вошел в большое резьбовое отверстие (7), расположенное ниже руля.



#### **ВНИМАНИЕ!**

- Нельзя закручивать винт без системы крепления! (В противном случае возможно повреждение рулевой системы.).



УСТАНОВКА / ДЕМОНТАЖ	НАПРАВЛЕНИЕ
<p><b><u>Фиксация</u></b></p> <p><b>Закручивайте винт против часовой стрелки</b></p>	
<p><b><u>Ослабление</u></b></p> <p><b>Раскручивайте винт по часовой стрелке</b></p>	

## НАСТРОЙКА РУЛЕВОЙ СИСТЕМЫ ДЛЯ ПК

1. Загрузите драйверы и ПО силовой обратной связи для ПК с сайта <http://support.thrustmaster.com>. Выберите «Рулевые системы / TS-PC RACER», затем выберите "Драйверы".

2. После завершения загрузки запустите процесс установки и выполните указания на экране по подключению USB-кабеля к компьютеру и завершению установки.

3. После завершения установки щелкните кнопку «Готово» и перезапустите компьютер.

4. Выберите «Пуск / Все программы / Thrustmaster / FFB Racing Wheel / Control Panel», чтобы открыть окно «Игровые устройства».

В окне «Игровые устройства» отображается рулевая система Thrustmaster TS-PC RACER с состоянием «ОК».

5. Щелкните «Свойства», чтобы настроить параметры рулевой системы TS-PC RACER на панели управления:

- вкладка Test Input (Тест входа): возможность протестировать и просмотреть функциональные кнопки и кнопки направлений, оси руля и педалей, а также отрегулировать угол поворота руля в играх на ПК;
- вкладка Test Forces (Тест силовой обратной связи): возможность протестировать 12 эффектов силовой обратной связи;
- вкладка Gain Settings (Параметры усиления): регулировка мощности эффектов силовой обратной связи в играх на ПК.

***Теперь все готово для игры!***

### Общие примечания:

- перед запуском игры на ПК щелкните ОК, чтобы закрыть окно «Игровые устройства»;
- версия прошивки руля отображается в верхнем правом углу на вкладках панели управления.

## ОБНОВЛЕНИЕ ПРОШИВКИ РУЛЕВОГО КОЛЕСА

Прошивку в базе рулевого колеса можно обновить до более поздней версии, содержащей усовершенствования.

Для просмотра установленной в данный момент версии прошивки и ее обновления при необходимости откройте сайт <http://support.thrustmaster.com>. Выберите **Гоночные рули / TS-PC RACER**, затем **Прошивка** выполните указания по загрузке и установке.

## АВТОМАТИЧЕСКАЯ КАЛИБРОВКА РУЛЯ

Калибровка гоночного руля выполняется автоматически при подключении рулевой системы к электророзетке и к USB-разъему.

Во время этой процедуры руль быстро вращается влево и вправо, совершая поворот на 1080 градусов, и затем останавливается в центре.



### **ВНИМАНИЕ!**

**Во время автокалибровки нельзя дотрагиваться до руля!  
(В противном случае возможен сбой калибровки и/или телесная травма).**

Если гоночный руль не работает должным образом или кажется неверно откалиброванным:

выключите ПК и полностью отсоедините рулевую систему; затем заново подключите все кабели (в том числе кабели питания и pedalного блока) и перезапустите ПК и игру.

## ВСТРОЕННАЯ СИСТЕМА ОХЛАЖДЕНИЯ ДЛЯ БАЗЫ РУЛЯ

Встроенная система охлаждения для базы руля:

- начинает работать при включении руля;
- выключается после нескольких минут бездействия, когда внутренняя температура устройства падает до низкого уровня;
- снова включается при использовании руля.

## КНОПКА И ИНДИКАТОР MODE(6)

### Кнопка MODE для pedalного блока

Если к разъему для pedalного блока (18) подключен pedalный блок Thrustmaster T3PA или T3PA-PRO, педали газа и сцепления можно менять местами электронным способом.

Для этого достаточно нажать кнопку MODE (6) на 2 сек.

Во встроенной памяти рулевой системы сохраняются данные о переносе педалей.

ПЕДАЛИ УСКОРЕНИЯ И СЦЕПЛЕНИЯ	Цвет индикатора MODE (6)
ОБЫЧНЫЙ РЕЖИМ	КРАСНЫЙ
ОБРАТНЫЙ РЕЖИМ	ЗЕЛЕНый

### Другие советы по использованию кнопки MODE

Подробнее о кнопке и индикаторе MODE рассказывается на сайте <http://support.thrustmaster.com>. Щелкните **Гоночные рули / TS-PC RACER** и выберите **Инструкция по эксплуатации** или **Часто задаваемые вопросы**.

## СПРАВКА И ОТВЕТЫ НА ЧАСТЫЕ ВОПРОСЫ (НЕ ПРИВЕДЕННЫЕ В НАСТОЯЩЕМ РУКОВОДСТВЕ)

Посетите сайт <http://support.thrustmaster.com>. Щелкните **Гоночные рули / TS-PC RACER** и выберите **Инструкция по эксплуатации** или **Часто задаваемые вопросы**.

## СОВМЕСТИМОСТЬ С ЭКОСИСТЕМОЙ THRUSTMASTER

### Педальные блоки

База TS-PC RACER совместима со следующими устройствами:

- педальные блоки **Thrustmaster T3PA** и **T3PA-PRO**, которые подключаются непосредственно к разъему для педального блока **(18)**;
- адаптер **DB9 PEDALS T.RJ12 ADAPTER** Thrustmaster, с помощью которого к разъему для педального блока **(18)** можно подключить педальный блок другой марки, оснащенный разъемом DB9;
- **все доступные на рынке педальные блоки USB** (в играх с поддержкой педальных блоков с подключением MULTI-USB и USB).

### Рули

База TS-PC RACER совместима со всеми съемными рулями Thrustmaster, в том числе:

- **Ferrari 599XX EVO 30 Wheel Add-On Alcantara Edition**
- **Ferrari F1 Wheel Add-On**
- **Ferrari GTE Wheel Add-On Ferrari 458 Challenge Edition**
- **TM Leather 28 GT Wheel Add-On**
- **TM Open Wheel Add-On**
- и пр.

### Переключатели передач

База TS-PC RACER совместима со следующими устройствами:

- коробка передач Thrustmaster **TH8A Shifter Add-On**, подключаемая непосредственно к разъему для переключателя TH8A **(19)** в секвенционном режиме (+/-) или к USB-порту в режиме с направляющей пластиной H (7+1) и в режиме АНАЛОГОВЫЙ/РУЧНОЙ ТОРМОЗ;
- **все доступные на рынке переключатели передач USB** (в играх с поддержкой переключателей с подключением MULTI-USB и USB).

EN

FR

DE

NL

IT

ES

PT

BR

RU

EL

TR

PL

繁體中文

한국어

## **Сведения о потребительской гарантии**

Корпорация Guillemot Corporation S.A., зарегистрированная по адресу Place du Granier, B.P. 97143, 35571 Chantepie, Франция, (далее — «Guillemot») гарантирует своим клиентам во всем мире, что в данном изделии Thrustmaster не будет выявлено никаких дефектов материалов и производства в течение гарантийного периода, который равен сроку предъявления претензии по соответствию для данного изделия. В странах Европейского Союза этот срок соответствует двум (2) годам с момента поставки изделия Thrustmaster. В других странах гарантийный период равен сроку предъявления претензии по соответствию для изделия Thrustmaster, определяемому соответствующим законодательством страны, в которой проживал потребитель на момент приобретения изделия Thrustmaster (если подобные претензии не действуют в соответствующей стране, гарантийный период равняется одному (1) году с первоначальной даты приобретения изделия Thrustmaster).

В случае обнаружения дефектов изделия во время гарантийного периода незамедлительно обратитесь в службу технической поддержки, сотрудники которой определяют дальнейшую процедуру. Если дефект будет подтвержден, изделие следует вернуть по месту приобретения (или в любое другое место, указанное службой технической поддержки).

В рамках действия гарантии дефектное изделие будет, по усмотрению службы технической поддержки, заменено или возвращено в рабочее состояние. Если в течение гарантийного срока изделие Thrustmaster будет подтверждено такому восстановлению, к оставшемуся гарантийному сроку прибавляется период времени, но не менее семи (7) дней, во время которого изделие находилось вне употребления (началом этого периода считается дата запроса покупателя о вмешательстве или дата предоставления дефектного изделия для восстановления, если изделие было предоставлено для восстановления позднее, чем был сделан запрос о вмешательстве). В мере, разрешенной применимым законодательством, полная ответственность компании Guillemot и ее дочерних компаний (в том числе косвенный ущерб) ограничивается восстановлением рабочего состояния или заменой изделия Thrustmaster. В мере, разрешенной применимым законодательством, компания Guillemot отказывается от любых гарантий коммерческой пригодности или пригодности для определенной цели.

Настоящая гарантия не распространяется: (1) на ситуации, когда изделие было видоизменено, открыто, модифицировано или получило повреждения в результате недопустимого или неправильного использования, небрежности или несчастного случая, естественного износа или любой другой причины, не связанной с дефектом материалов или производства (включая, помимо прочего, использование изделия Thrustmaster совместно с любыми неподходящими элементами, в частности — с блоками питания, аккумуляторами, зарядными устройствами и любыми другими элементами, не входящими в комплектацию Guillemot для данного изделия); (2) на случаи использования продукта в любых целях, кроме бытовых, в том числе на случаи профессионального или коммерческого применения (например, в игровых залах, для проведения обучения и соревнований); (3) на ситуации, когда указания службы технической поддержки не были выполнены; (4) на ПО, так как на такое ПО распространяется отдельная гарантия; (5) на расходные материалы (элементы, предназначенные для замены в течение срока службы изделия: например, батарейки и ушные подушки для гарнитур или наушников); (6) на аксессуары (например, кабели, чехлы, сумки, футляры, наручные ремешки); (7) на случаи продажи изделия с открытого аукциона.

Данная гарантия не подлежит передаче.

Настоящая гарантия не ущемляет прав потребителя, предоставляемых ему применимыми законами в отношении продажи потребительских товаров в соответствующей стране.

### Дополнительные условия гарантии

В течение гарантийного срока компания Guillemot, в общем и целом, не предоставляет никаких запасных частей, так как вскрытие и/или модификацию любых изделий Thrustmaster вправе осуществлять только служба технической поддержки (за исключением каких-либо процедур по модификации, которые служба технической поддержки может предложить выполнить клиенту путем письменных инструкций и предоставления, при необходимости, требуемых запасных частей: например, в связи с отсутствием статуса сложности или конфиденциальности у такой восстановительной процедуры).

С учетом периода освоения новых изделий и в целях защиты своих ноу-хау и коммерческих тайн компания Guillemot, в общем и целом, не предоставляет каких-либо уведомлений о восстановлении или запасных частей для любых изделий Thrustmaster с истекшим гарантийным сроком.

### Ответственность

В мере, разрешенной применимым законодательством, компания Guillemot Corporation S.A. (далее — «Guillemot») и ее дочерние предприятия отказываются от любой ответственности за любой ущерб, вызванный одним или несколькими из следующих факторов: (1) видоизменение, вскрытие или модификация изделия; (2) несоблюдение инструкций по сборке; (3) недопустимое или неправильное использование, небрежность, несчастный случай (например, физическое воздействие); (4) естественный износ; (5) использование продукта в любых целях, кроме бытовых, в том числе профессиональное или коммерческое применение (например, в игровых залах, для проведение обучения и соревнований). В мере, разрешенной применимым законодательством, компания Guillemot и ее дочерние предприятия отказываются от любой ответственности за любой ущерб, не связанный с дефектами материалов или изготовления, в отношении данного изделия (включая, помимо прочего, любой ущерб, вызванный прямо или опосредованно любым программным обеспечением или использованием изделия Thrustmaster с любыми неподходящими элементами, в частности — блоками питания, аккумуляторами, зарядными устройствами и любыми другими элементами, не входящими в комплектацию Guillemot для данного изделия).

**THRUSTMASTER®**

ТЕХНИЧЕСКОЙ ПОДДЕРЖКИ

<http://support.thrustmaster.com>



## АВТОРСКОЕ ПРАВО

© 2017 Guillemot Corporation S.A. Все права защищены. Thrustmaster® является зарегистрированной торговой маркой Guillemot Corporation. Все прочие торговые марки являются собственностью соответствующих владельцев. Иллюстрации могут не соответствовать внешнему виду/функциям конкретного изделия. Содержание руководства, конструкция и технические характеристики изделия изменяются без предварительного уведомления и зависят от страны приобретения.

При использовании изделием учитывайте следующее: цвета и дизайн могут различаться. Пластиковые стяжки и клейкую ленту следует снять перед использованием изделия.

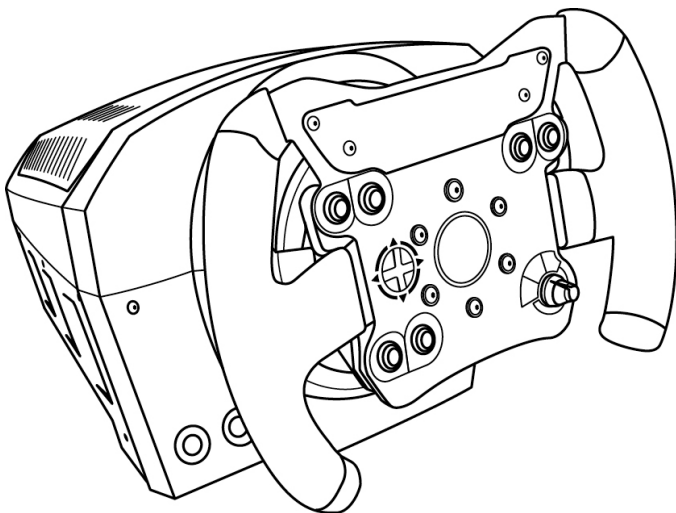
[www.thrustmaster.com](http://www.thrustmaster.com)

# EAC



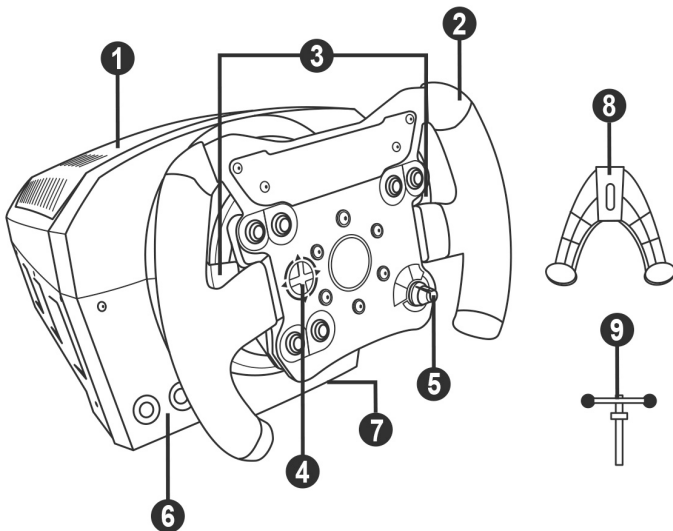
# TS-PC RACER

Εγχειρίδιο χρήσης



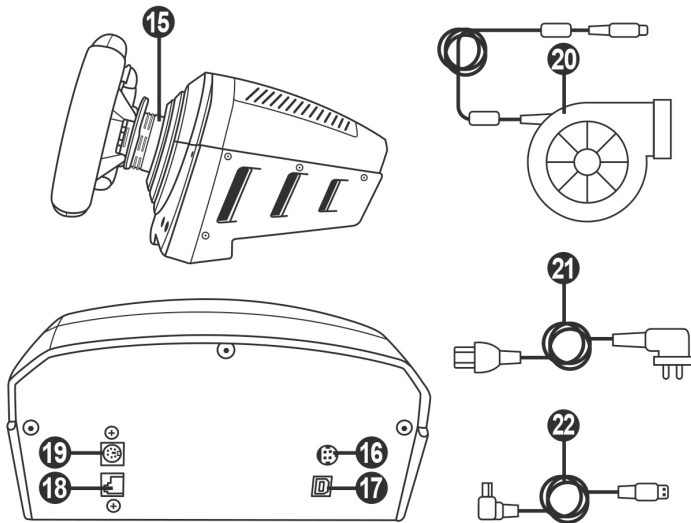


## ΤΕΧΝΙΚΑ ΧΑΡΑΚΤΗΡΙΣΤΙΚΑ



- 1 Βάση
- 2 Τιμόνι
- 3 2 μοχλοί αλλαγής ταχυτήτων σειριακής διάταξης (πάνω & κάτω)
- 4 Σταυρός κατευθύνσεων
- 5 Πιεζόμενος περιστρεφόμενος διακόπτης

- 6 Κουμπί ΛΕΙΤΟΥΡΓΙΑ + λυχνία ένδειξης κόκκινο/πράσινο χρώμα
- 7 Οπή μεγάλου σπειρώματος (για σύστημα προσάρτησης και βίδα σύσφιξης)
- 8 Σύστημα προσάρτησης
- 9 Μεταλλική βίδα σύσφιξης



- 15 Thrustmaster Quick Release
- 16 Υποδοχή για παροχή ρεύματος TURBO POWER
- 17 Υποδοχή για αφαιρούμενο καλώδιο USB
- 18 Υποδοχή για σετ πεντάλ (το σετ πεντάλ πωλείται χωριστά)
- 19 Υποδοχή για μοχλό αλλαγής ταχυτήτων TH8A (ο μοχλός πωλείται χωριστά)
- 20 Παροχή ρεύματος TURBO POWER
- 21 Καλώδιο τροφοδοσίας
- 22 Αφαιρούμενο καλώδιο USB

### ΣΥΝΔΕΣΗ ΤΗΣ ΤΙΜΟΝΙΕΡΑΣ ΣΕ ΠΡΙΖΑ: ΔΙΑΒΑΣΤΕ ΠΡΟΣΕΚΤΙΚΑ!



**Ποτέ μην συνδέετε την παροχή ρεύματος TURBO POWER σε πρίζα διαφορετικής τάσης! Η τάση της παροχής ρεύματος TURBO POWER αναγράφεται στην ετικέτα που βρίσκεται επάνω από το θηλυκό βύσμα για το καλώδιο τροφοδοσίας.**



**Ποτέ μην συνδέετε μια παροχή ρεύματος εκτός της παροχής ρεύματος TURBO POWER στη βάση TS-PC RACER, ακόμη κι αν η υποδοχή είναι συμβατή! Για παράδειγμα, μην συνδέετε ποτέ τον προσαρμογέα ρεύματος στο τιμόνι T500 RS στη βάση TS-PC RACER.**

## ΠΡΟΕΙΔΟΠΟΙΗΣΗ

Πριν χρησιμοποιήσετε αυτό το προϊόν, διαβάστε προσεκτικά το παρόν εγχειρίδιο και φυλάξτε το για μελλοντική αναφορά.



### **Προειδοποίηση – Ηλεκτροπληξία**

- \* Κρατήστε αυτό το προϊόν σε στεγνό μέρος και μην το εκθέτετε σε σκόνη ή στον ήλιο.
- \* Μην περιστρέφετε ή τραβάτε τις υποδοχές και τα καλώδια.
- \* Μην ρίχνετε υγρό στο προϊόν και τις υποδοχές του.
- \* Μην βραχυκυκλώνετε το προϊόν.
- \* Ποτέ μην αποσυναρμολογείτε το προϊόν. Μην ρίχνετε το προϊόν σε φωτιά και μην το εκθέτετε σε υψηλές θερμοκρασίες.
- \* Μην χρησιμοποιείτε άλλο καλώδιο τροφοδοσίας πέρα από αυτό που παρέχεται μαζί με την τιμονιέρα σας.
- \* Μην χρησιμοποιείτε το καλώδιο του ανάπτορα δικτύου εάν το καλώδιο ή οι συνδέσεις έχουν φθορές, έχουν διαχωριστεί ή κοπεί.
- \* Βεβαιωθείτε ότι το καλώδιο παροχής ρεύματος έχει τοποθετηθεί σωστά στην πρίζα και είναι σωστά συνδεδεμένο στην υποδοχή που βρίσκεται στην πίσω όψη της βάσης της τιμονιέρας.
- \* Μην ανοίγετε την τιμονιέρα: Δεν υπάρχουν ανταλλακτικά μέσα που επιδέχονται επιδιόρθωσης από τον χρήστη. Οποιαδήποτε συντήρηση πρέπει να πραγματοποιείται από τον κατασκευαστή, τον εξουσιοδοτημένο αντιπρόσωπο ή κάποιον εξειδικευμένο τεχνικό.
- \* Χρησιμοποιείτε μόνο πρόσθετα του συστήματος/αξεσουάρ που καθορίζει ο κατασκευαστής.
- \* Εάν η τιμονιέρα λειτουργεί με ασυνήθιστο τρόπο (εάν ακούγονται περίεργοι ήχοι, εκπέμπεται θερμότητα ή αναδύονται οσμές), σταματήστε τη χρήση αμέσως, αποσυνδέστε το καλώδιο τροφοδοσίας από την πρίζα και αποσυνδέστε τα υπόλοιπα καλώδια.
- \* Αν δεν σκοπεύετε να χρησιμοποιήσετε την τιμονιέρα για μεγάλο χρονικό διάστημα, αποσυνδέστε το καλώδιο παροχής ρεύματος από την πρίζα.
- \* Η πρίζα πρέπει να βρίσκεται κοντά στον εξοπλισμό και πρέπει να είναι εύκολα προσβάσιμη.



### **Αεραγωγοί**

Βεβαιωθείτε ότι δεν μπλοκάρτε κανέναν από τους αεραγωγούς στη βάση της τιμονιέρας. Για τον καλύτερο δυνατό αερισμό, ακολουθήστε τις παρακάτω οδηγίες:

- \* Τοποθετήστε τη βάση του τιμονιού τουλάχιστον 10 εκατοστά μακριά από τους τοίχους.
- \* Μην τοποθετείτε τη βάση σε στενούς χώρους.
- \* Μην καλύπτετε τη βάση.
- \* Μην αφήνετε να συσσωρευτεί σκόνη επάνω στους αεραγωγούς.



Για λόγους ασφάλειας, ποτέ μην χρησιμοποιείτε το σετ των πεντάλ ξυπόλητοι ή φορώντας μόνο κάλτσες. **Η THRUSTMASTER® ΑΠΟΠΟΙΕΙΤΑΙ ΟΠΟΙΑΣΔΗΠΟΤΕ ΕΥΘΥΝΗΣ ΣΕ ΠΕΡΙΠΤΩΣΗ ΤΡΑΥΜΑΤΙΣΜΟΥ ΠΟΥ ΠΡΟΚΑΛΕΙΤΑΙ ΑΠΟ ΤΗ ΧΡΗΣΗ ΤΟΥ ΣΕΤ ΤΩΝ ΠΕΝΤΑΛ ΧΩΡΙΣ ΠΑΠΟΥΤΣΙΑ.**



### **Προειδοποίηση – Τραυματισμοί λόγω τεχνολογίας Force Feedback και επαναλαμβανόμενων κινήσεων**

Το παιχνίδι με ένα τιμόνι τεχνολογίας Force Feedback ενδεχομένως να προκαλέσει πόνο στους μύες ή στις αρθρώσεις. Προς αποφυγή οποιονδήποτε προβλημάτων:

- \* Αποφύγετε να παίζετε συνεχόμενα για μεγάλο χρονικό διάστημα.
- \* Κάντε διαλείμματα διάρκειας 10 έως 15 λεπτών μετά από κάθε μία ώρα παιχνιδιού.
- \* Αν νιώσετε κόπωση ή πόνο σε χέρια, καρπούς, μπράτσα, πέλματα ή πόδια, σταματήστε το παιχνίδι και ξεκουραστείτε για μερικές ώρες πριν αρχίσετε ξανά το παιχνίδι.



## Προειδοποίηση – Τραυματισμοί λόγω τεχνολογίας Force Feedback και επαναλαμβανόμενων κινήσεων (συνέχεια)

- \* Αν τα συμπτώματα ή ο πόνος που αναφέρθηκαν παραπάνω επιμένουν όταν αρχίσετε ξανά το παιχνίδι, σταματήστε να παίζετε και επισκεφτείτε τον ιατρό σας.
- \* Κρατήστε το προϊόν μακριά από παιδιά.
- \* Κατά τη διάρκεια του παιχνιδιού, έχετε πάντα και τα δύο χέρια σωστά τοποθετημένα στο τιμόνι χωρίς να το αφήνετε εντελώς.
- \* Κατά τη διάρκεια των παιχνιδιών, ποτέ μην τοποθετείτε τα χέρια ή τα δάκτυλά σας κάτω από τα πεντάλ ή οπουδήποτε κοντά στο σετ των πεντάλ.
- \* Κατά τη διάρκεια της βαθμονόμησης και του παιχνιδιού, ποτέ μην τοποθετείτε το χέρι ή το μπράτσο σας μέσα στα ανοίγματα της τιμονιέρας.
- \* Βεβαιωθείτε ότι η βάση της τιμονιέρας είναι σωστά ασφαλισμένη, σύμφωνα με τις οδηγίες αυτού του εγχειριδίου.



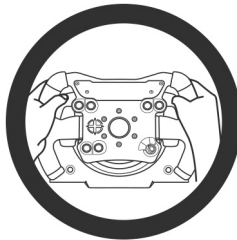
Το προϊόν προορίζεται μόνο για χρήστες 16 ετών ή μεγαλύτερους

### ΒΑΡΥ ΠΡΟΪΟΝ



Προσέχετε να μην ρίξετε το προϊόν επάνω σας ή επάνω σε κάποιον άλλον!

### ΠΑΝΤΑ



## ΕΓΚΑΤΑΣΤΑΣΗ ΤΟΥ ΤΙΜΟΝΙΟΥ ΕΠΑΝΩ ΣΤΗ ΒΑΣΗ ΤΟΥ

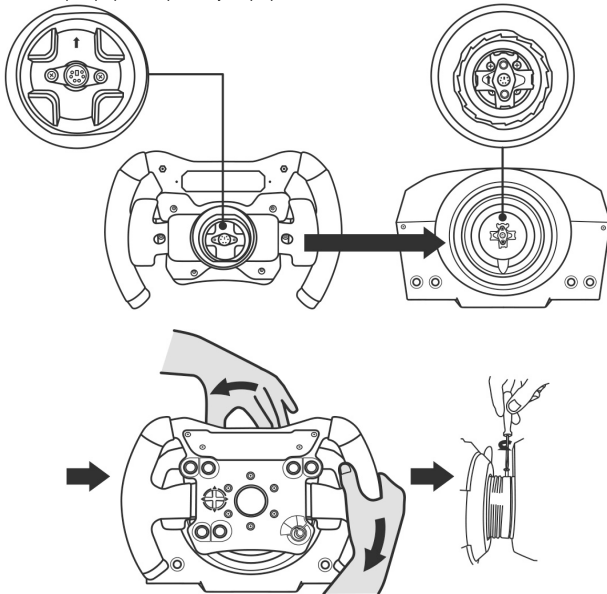
Ευθυγραμμίστε τις θέσεις των υποδοχών χρησιμοποιώντας τα βέλη:

**Υποδοχή (1) βάσης:** Βέλος με κατεύθυνση προς τα πάνω

**Υποδοχή (2) τιμονιού:** Βέλος με κατεύθυνση προς τα πάνω

Αφού τοποθετήσετε σωστά τις υποδοχές, απλά περιστρέψτε τον δακτύλιο της συσκευής Thrustmaster Quick Release (15) αριστερόστροφα, κρατώντας ταυτόχρονα το τιμόνι (2) στη θέση του.

Έπειτα, σφίξτε τον δακτύλιο όσο περισσότερο γίνεται. Για να το πετύχετε, κρατήστε τον δακτύλιο στη θέση του και περιστρέψτε το τιμόνι δεξιόστροφα.



Αφού εγκαταστήσετε το τιμόνι, περιστρέψτε το 180° (όταν κοιτάτε το τιμόνι, το λογότυπο TM θα πρέπει να είναι στραμμένο προς τα κάτω) για να αποκτήσετε πρόσβαση στη μικρή βίδα προσάρτησης που βρίσκεται στη συσκευή Thrustmaster Quick Release (15). Χρησιμοποιήστε ένα μεγάλο κατσαβίδι τύπου Phillips για να σφίξετε τη μικρή βίδα προσάρτησης (μην βάλετε υπερβολική δύναμη), περιστρέφοντάς την δεξιόστροφα.



Όταν χρησιμοποιείτε κατσαβίδι Phillips, βεβαιωθείτε ότι ΔΕΝ ασκείτε υπερβολική δύναμη όταν σφίγγετε τη μικρή βίδα προσάρτησης!

Σταματήστε να περιστρέφετε τη βίδα αμέσως μόλις νιώσετε κάποια αντίσταση.

## ΠΡΟΣΑΡΤΗΣΗ ΤΙΜΟΝΙΕΡΑΣ

### Προσάρτηση της βάσης του τιμονιού σε θέση οδηγού

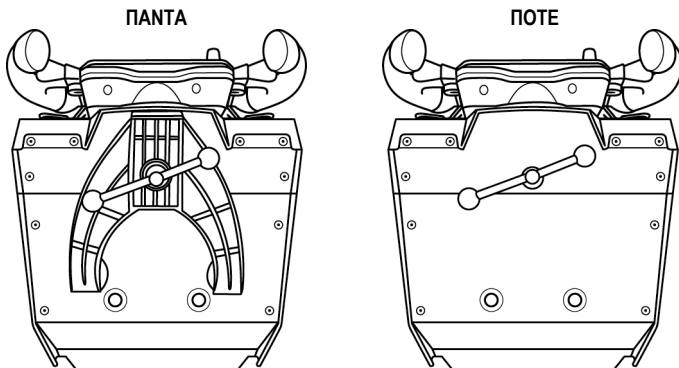
1. Τοποθετήστε τη βάση του τιμονιού στην προεξοχή της θέσης του οδηγού.
2. Καθοδηγήστε τις δύο βίδες M6 (δεν περιλαμβάνονται) μέσω της προεξοχής της θέσης του οδηγού, και στη συνέχεια, τοποθετήστε τις στις οπές από τα δύο μικρά σπειρώματα που βρίσκονται κάτω από το τιμόνι.

**Σημαντικό:** Το μήκος από τις δύο βίδες M6 δεν πρέπει να υπερβαίνει το πάχος της προεξοχής + 12 χιλιοστά. Οι μακρύτερες βίδες θα μπορούσαν να προκαλέσουν ζημιά στα εσωτερικά εξαρτήματα που βρίσκονται στη βάση του τιμονιού.

3. Αν απαιτείται, σφίξτε το βασικό σύστημα προσάρτησης τοποθετώντας τη βίδα σύσφιξης μέσα στην οπή του μεγάλου σπειρώματος.

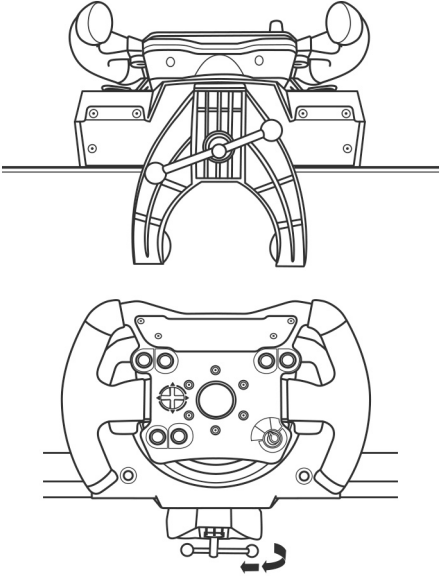
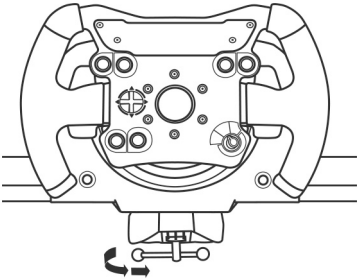
### Τοποθέτηση τιμονιέρας σε τραπέζι ή γραφείο

1. Τοποθετήστε την τιμονιέρα σε τραπέζι ή οποιαδήποτε άλλη οριζόντια, επίπεδη και σταθερή επιφάνεια.
2. Τοποθετήστε τη βίδα σύσφιξης (9) στο σύστημα προσάρτησης (8), μετά σφίξτε τη συσκευή στρέφοντας τη βίδα αριστερόστροφα, ώστε να στερεωθεί στην οπή του μεγάλου σπειρώματος(7) κάτω από την τιμονιέρα, έως ότου το τιμόνι είναι εντελώς σταθερό.



#### **ΠΡΟΕΙΔΟΠΟΙΗΣΗ:**

- Ποτέ μην σφίγγετε τη βίδα μόνη της χωρίς να βρίσκεται το σύστημα προσάρτησης στη θέση του (αυτό θα μπορούσε να προκαλέσει ζημιά στην τιμονιέρα).

ΠΡΟΣΑΡΤΗΣΗ/ΑΦΑΙΡΕΣΗ	ΚΑΤΕΥΘΥΝΣΗ
<p><b><u>Για σύσφιξη:</u></b></p> <p><i>Στρέψτε τη βίδα αριστερόστροφα</i></p>	
<p><b><u>Για ελευθέρωση:</u></b></p> <p><i>Στρέψτε τη βίδα δεξιόστροφα</i></p>	

## ΡΥΘΜΙΣΗ ΤΗΣ ΤΙΜΟΝΙΕΡΑΣ ΓΙΑ PC

1. Μεταβείτε στη διεύθυνση <http://support.thrustmaster.com> για να κατεβάσετε τα προγράμματα οδήγησης και το λογισμικό force feedback για PC. Πατήστε Racing Wheels (Τιμονιέρες) / TS-PC RACER, μετά επιλέξτε Drivers (Προγράμματα οδήγησης).

2. Μετά την ολοκλήρωση της λήψης, εκκινήστε την εγκατάσταση και ακολουθήστε τις οδηγίες στην οθόνη για να συνδέσετε την υποδοχή USB του τιμονιού στον υπολογιστή σας και να ολοκληρώσετε την εγκατάσταση.

3. Μόλις η εγκατάσταση ολοκληρωθεί, κάντε κλικ στο κουμπί Finish (Τέλος) και επανεκκινήστε τον υπολογιστή σας.

4. Επιλέξτε Start (Έναρξη) / All Programs (Όλα τα προγράμματα) / Thrustmaster / FFB Racing Wheel (Τιμονιέρα FFB) / Control Panel (Πίνακας ελέγχου).

Το παράθυρο διαλόγου για τους Ελεγκτές παιχνιδιού εμφανίζει το όνομα της τιμονιέρας TS-PC RACER της Thrustmaster με την ένδειξη OK.

5. Κάντε κλικ στην επιλογή Properties (ιδιότητες) για να διαμορφώσετε το τιμόνι σας στον πίνακα ελέγχου TS-PC RACER:

- Καρτέλα δοκιμής στοιχείων: Επιτρέπεται να δοκιμάσετε και να δείτε όλα τα κουμπιά δράσης, τα κουμπιά κατεύθυνσης, τους άξονες του τιμονιού και των πεντάλ, καθώς και να ρυθμίσετε τη γωνία περιστροφής του τιμονιού στα παιχνίδια που παίζετε στον υπολογιστή σας.
- Καρτέλα δοκιμής δυνάμεων: Επιτρέπεται να δοκιμάσετε 12 εφέ λειτουργίας force feedback.
- Καρτέλα ρυθμίσεων ενίσχυσης: Επιτρέπεται να ρυθμίσετε την ισχύ των εφέ της λειτουργίας force feedback στα παιχνίδια που παίζετε στον υπολογιστή σας.

***Τώρα είστε έτοιμοι για παιχνίδι!***

### Γενικές σημειώσεις:

- Σε PC, πατήστε το OK για να κλείσετε το παράθυρο για τους Ελεγκτές παιχνιδιού πριν ξεκινήσετε το παιχνίδι σας.
- Η έκδοση του υλικολογισμικού του τιμονιού εμφανίζεται στην επάνω δεξιά γωνία στις καρτέλες του Πίνακα ελέγχου.

## ΕΝΗΜΕΡΩΣΗ ΤΟΥ ΥΛΙΚΟΛΟΓΙΣΜΙΚΟΥ ΤΗΣ ΤΙΜΟΝΙΕΡΑΣ ΣΑΣ

Είναι δυνατή η ενημέρωση του υλικολογισμικού που περιλαμβάνεται στη βάση της τιμονιέρας σας σε μια πιο πρόσφατη έκδοση με τις βελτιώσεις του προϊόντος.

Για να εμφανίσετε την έκδοση του υλικολογισμικού που διαθέτει προς το παρόν η τιμονιέρα σας και να την ενημερώσετε, αν απαιτείται: σε PC, επισκεφθείτε τον ιστότοπο <http://support.thrustmaster.com>. Κάντε κλικ στην επιλογή **Racing Wheels (Τιμονιέρες) / TS-PC RACER**, μετά επιλέξτε **Firmware (Υλικολογισμικό)** και ακολουθήστε τις οδηγίες που περιγράφουν τη διαδικασία λήψης και εγκατάστασης.



## ΑΥΤΟΜΑΤΗ ΒΑΘΜΟΝΟΜΗΣΗ ΤΙΜΟΝΙΟΥ

Η βαθμονόμηση της τιμονιέρας πραγματοποιείται αυτόματα όταν συνδέετε την τιμονιέρα στο ρεύμα και την υποδοχή USB της τιμονιέρας.

Στη διάρκεια αυτής της φάσης, το τιμόνι θα περιστρέφεται γρήγορα προς αριστερά και δεξιά, καλύπτοντας μια γωνία 1080, προτού σταματήσει στο κέντρο.



### **ΠΡΟΕΙΔΟΠΟΙΗΣΗ:**

**Ποτέ μην αγγίζετε το τιμόνι κατά τη διάρκεια της φάσης της αυτόματης βαθμονόμησης!**  
*(Μια τέτοια ενέργεια θα μπορούσε να προκαλέσει λανθασμένη βαθμονόμηση και/ή τραυματισμούς).*

**Αν το τιμόνι σας δεν λειτουργεί σωστά ή αν η βαθμονόμηση φαίνεται να είναι λανθασμένη:**  
Απενεργοποιήστε το PC σας και αποσυνδέστε εντελώς την τιμονιέρα. Έπειτα, επανασυνδέστε όλα τα καλώδια (μαζί με το καλώδιο παροχής ρεύματος και το σετ των πεντάλ) και επανεκκινήστε το PC και το παιχνίδι σας.

## ΕΣΩΤΕΡΙΚΟ ΣΥΣΤΗΜΑ ΨΥΞΗΣ ΓΙΑ ΤΗ ΒΑΣΗ ΤΟΥ ΤΙΜΟΝΙΟΥ

Το εσωτερικό σύστημα ψύξης για τη βάση του τιμονιού

- αρχίζει να λειτουργεί όταν το τιμόνι ενεργοποιηθεί.
- απενεργοποιείται μετά από μερικά λεπτά αδράνειας όταν η εσωτερική θερμοκρασία πέσει σε χαμηλά επίπεδα.
- ενεργοποιείται ξανά όταν χρησιμοποιείτε το τιμόνι.

## ΚΟΥΜΠΙ BUTTON ΚΑΙ ΛΥΧΝΙΑ ΕΝΔΕΙΞΗΣ (6)

### **Κουμπί MODE για το σετ των πεντάλ**

Μπορείτε να εναλλάξετε ηλεκτρονικά τα πεντάλ του γκαζιού και του συμπλέκτη αν χρησιμοποιείται σετ πεντάλ T3PA ή T3PA-PRO της Thrustmaster συνδεδεμένο στην υποδοχή για σετ πεντάλ (18).

Για να το κάνετε αυτό, απλώς πατήστε το κουμπί MODE (6) για 2 δευτερόλεπτα.

Στην εσωτερική μνήμη της τιμονιέρας αποθηκεύεται εάν έχει πραγματοποιηθεί ή όχι εναλλαγή των πεντάλ.

ΠΕΝΤΑΛ ΓΚΑΖΙΟΥ ΚΑΙ ΣΥΜΠΛΕΚΤΗ	Χρώμα της λυχνίας ένδειξης του MODE (6)
ΚΑΝΟΝΙΚΟ	ΚΟΚΚΙΝΟ
ΕΝΑΛΛΑΓΗ	ΠΡΑΣΙΝΟ

### **Άλλες πληροφορίες σχετικά με το κουμπί MODE**

Για να μάθετε περισσότερα σχετικά με το κουμπί MODE και τη λυχνία ένδειξης, επισκεφθείτε τον ιστότοπο <http://support.thrustmaster.com>. Κάντε κλικ στην επιλογή **Racing Wheels** (Τιμονιέρες) / **TS-PC RACER**, και μετά επιλέξτε **Manual** (Εγχειρίδιο) ή **FAQ** (Συχνές ερωτήσεις).

## ΑΡΧΕΙΑ ΒΟΗΘΕΙΑΣ ΚΑΙ ΣΥΧΝΕΣ ΕΡΩΤΗΣΕΙΣ (ΔΕΝ ΠΕΡΙΛΑΜΒΑΝΟΝΤΑΙ ΣΕ ΑΥΤΟ ΤΟ ΕΓΧΕΙΡΙΔΙΟ)

Επισκεφθείτε τον ιστότοπο <http://support.thrustmaster.com>. Κάντε κλικ στην επιλογή **Racing Wheels** (Τιμονιέρες) / **TS-PC RACER**, και μετά επιλέξτε **Manual** (Εγχειρίδιο) ή **FAQ** (Συχνές ερωτήσεις).

## ΣΥΜΒΑΤΟΤΗΤΑ ΜΕ ΤΗ ΣΕΙΡΑ ΠΡΟΪΟΝΤΩΝ ΤΗΣ THRUSTMASTER

### Σετ πεντάλ

Η βάση TS-PC RACER είναι συμβατή με τα εξής προϊόντα:

- τα σετ πεντάλ **Thrustmaster T3PA** και **T3PA-PRO** που συνδέονται απευθείας στην υποδοχή για σετ πεντάλ **(18)**.
- τον προσαρμογέα της Thrustmaster **DB9 PEDALS T.RJ12 ADAPTER** που καθιστά δυνατά τα σετ πεντάλ τα οποία δεν ανήκουν στη Thrustmaster και είναι εξοπλισμένα με υποδοχή DB9 να συνδέονται στην υποδοχή για σετ πεντάλ **(18)**.
- όλα τα σετ πεντάλ **USB** που κυκλοφορούν στην αγορά (σε παιχνίδια που υποστηρίζουν σετ πεντάλ MULTI-USB και USB).

### Τιμόνια

Η βάση TS-PC RACER είναι συμβατή με όλα τα αποσπώμενα τιμόνια της Thrustmaster, στα οποία περιλαμβάνονται τα εξής:

- **Ferrari 599XX EVO 30 Wheel Add-On Alcantara Edition**
- **Ferrari F1 Wheel Add-On**
- **Ferrari GTE Wheel Add-On Ferrari 458 Challenge Edition**
- **TM Leather 28 GT Wheel Add-On**
- **TM Open Wheel Add-On**
- κ.λπ.

### Μοχλοί αλλαγής ταχυτήτων

Η βάση TS-PC RACER είναι συμβατή με τα εξής:

- το Thrustmaster **TH8A Shifter Add-On** που συνδέεται απευθείας στην υποδοχή για τον μοχλό αλλαγής ταχυτήτων TH8A **(19)** για τη λειτουργία «Σε Σειριακή διάταξη (+/-)», ή σε μια θύρα USB για τις λειτουργίες «Σε διάταξη H (7+1)» και ΑΝΑΛΟΓΙΚΗ / ΧΕΙΡΟΦΡΕΝΟ.
- **Όλοι οι μοχλοί αλλαγής ταχυτήτων USB που κυκλοφορούν στην αγορά** (σε παιχνίδια που υποστηρίζουν μοχλούς αλλαγής ταχυτήτων MULTI-USB και USB).

EN

FR

DE

NL

IT

ES

PT

BR

RU

EL

TR

PL

繁體中文

한국어

## Πληροφορίες εγγύησης καταναλωτή

Παγκοσμίως, η Guillemot Corporation S.A. της οποίας η εγγεγραμμένη έδρα είναι η οδός Place du Granier, B.P. 97143, 35571 Chanteprie, France (Γαλλία) (εφεξής "Guillemot") εγγυάται στον καταναλωτή ότι το προϊόν της Thrustmaster δεν παρουσιάζει ελάττωμα στο υλικό ούτε κατασκευαστικές ατέλειες για το χρονικό διάστημα της εγγύησης, το οποίο αντιστοιχεί στο χρονικό όριο για άσκηση αγωγής για συμμόρφωση αναφορικά με αυτό το προϊόν. Στις χώρες της Ε.Ε., αυτό αντιστοιχεί σε διάστημα δύο (2) ετών από την παράδοση του προϊόντος της Thrustmaster. Σε άλλες χώρες, η περίοδος εγγύησης αντιστοιχεί στο χρονικό όριο για άσκηση αγωγής για συμμόρφωση αναφορικά το προϊόν της Thrustmaster σύμφωνα με την ισχύουσα νομοθεσία της χώρας στην οποία ο καταναλωτής διέμενε κατά την ημερομηνία αγοράς του προϊόντος της Thrustmaster (σε περίπτωση που δεν υπάρχει τέτοια ενέργεια στην αντίστοιχη χώρα, τότε η εγγύηση θα ισχύει για ένα (1) έτος από την αρχική ημερομηνία αγοράς του προϊόντος της Thrustmaster).

Σε περίπτωση που το προϊόν σας φαίνεται να είναι ελαττωματικό κατά την περίοδο της εγγύησης, επικοινωνήστε αμέσως με την Τεχνική υποστήριξη, η οποία θα υποδείξει την διαδικασία που θα ακολουθήσετε. Αν το ελάττωμα επιβεβαιωθεί, το προϊόν πρέπει να επιστραφεί στο σημείο αγοράς του (ή σε οποιοδήποτε άλλο σημείο υποδεικνύει η Τεχνική υποστήριξη).

Στα πλαίσια της εγγύησης, το ελαττωματικό προϊόν του καταναλωτή, με επιλογή της Τεχνικής υποστήριξης, είτε θα αντικατασταθεί είτε θα επιστραφεί και θα είναι σε κατάσταση λειτουργίας. Αν κατά τη διάρκεια της περιόδου εγγύησης το προϊόν της Thrustmaster υπόκειται σε τέτοιου είδους μετασκευή, οποιαδήποτε περίοδος τουλάχιστον επτά (7) ημερών κατά την οποία το προϊόν έχει τεθεί εκτός χρήσης θα προστεθεί στην εναπομένουσα περίοδο εγγύησης (αυτή η περίοδος ισχύει από την ημερομηνία του αιτήματος του καταναλωτή για παρέμβαση ή από την ημερομηνία κατά την οποία το εν λόγω προϊόν διατίθεται για μετασκευή, αν η ημερομηνία κατά την οποία το προϊόν διατίθεται για μετασκευή είναι επακόλουθη της ημερομηνίας του αιτήματος για παρέμβαση). Αν επιτρέπεται από την ισχύουσα νομοθεσία, η πλήρης ευθύνη της Guillemot και των θυγατρικών της (περιλαμβάνονται οι επακόλουθες ζημιές) περιορίζεται στην επιστροφή σε κατάσταση λειτουργίας ή την αντικατάσταση του προϊόντος της Thrustmaster. Αν επιτρέπεται από την ισχύουσα νομοθεσία, η Guillemot αποποιείται κάθε εγγύηση εμπορευσιμότητας ή καταλληλότητας για τον συγκεκριμένο σκοπό.

Η παρούσα εγγύηση δεν ισχύει: (1) αν το προϊόν έχει τροποποιηθεί, ανοιχτεί, μεταποιηθεί ή υποστεί βλάβη ως αποτέλεσμα ακατάλληλης ή κακής χρήσης, αμέλειας, ατυχήματος, φυσιολογικής φθοράς ή οποιασδήποτε άλλης αιτίας που δεν σχετίζεται με ελάττωμα στο υλικό ή κατασκευαστικό ελάττωμα (συμπεριλαμβανομένων, ενδεικτικά, συνδυάζοντας το προϊόν της Thrustmaster με οποιοδήποτε ακατάλληλο στοιχείο, συμπεριλαμβανομένων συγκεκριμένων παροχών ρεύματος, επαναφορτιζόμενων μπαταριών, φορτιστών ή άλλων στοιχείων που δεν παρέχονται από τη Guillemot για αυτό το προϊόν), (2) αν το προϊόν έχει χρησιμοποιηθεί για οποιαδήποτε άλλη χρήση πέρα από την οικιακή χρήση, συμπεριλαμβανομένης χρήσης για επαγγελματικούς ή εμπορικούς σκοπούς (για παράδειγμα, δωμάτια παιχνιδιών, εκπαίδευση, διαγωνισμοί), (3) σε περίπτωση μη συμμόρφωσης με τις οδηγίες που παρέχονται από την Τεχνική υποστήριξη, (4) για λογισμικό, το εν λόγω λογισμικό υπόκειται σε συγκεκριμένη εγγύηση, (5) για αναλώσιμα (στοιχεία που πρόκειται να αντικατασταθούν από τη διάρκεια ζωής του προϊόντος: για παράδειγμα, μπαταρίες μίας χρήσης, καλύμματα αυτιών για σετ ακουστικών ή ακουστικά), (6) για αξεσουάρ (για παράδειγμα, καλώδια, περιβλήματα, θήκες, τσάντες, λουράκια καρπού), (7) αν το προϊόν πωληθεί σε δημοπρασία.

Η παρούσα εγγύηση δεν μεταβιβάζεται.

Τα νομικά δικαιώματα του καταναλωτή σε σχέση με την ισχύουσα νομοθεσία όσον αφορά την πώληση των καταναλωτικών ειδών στη χώρα του/της που δεν επηρεάζονται από την παρούσα εγγύηση.

## Επιπλέον διατάξεις εγγύησης

Κατά την περίοδο εγγύησης, η Guillemot δεν θα διαθέσει, κατά βάση, κανένα ανταλλακτικό, καθώς Η Τεχνική υποστήριξη είναι ο μόνος συμβαλλόμενος εξουσιοδοτημένος να ανοίξει και/ή να μετασκευάσει οποιοδήποτε προϊόν της Thrustmaster (με εξαίρεση κάθε διαδικασία μετασκευής, την οποία η Τεχνική υποστήριξη μπορεί να ζητήσει να διεξάγει ο καταναλωτής, υπό τη μορφή γραπτών οδηγιών – για παράδειγμα, λόγω της απλούστευσης και της έλλειψης εμπιστευτικότητας της διαδικασίας μετασκευής – και παρέχοντας στον καταναλωτή το απαιτούμενο(α) ανταλλακτικό(ά), όπου είναι εφικτό).

Δεδομένου των κύκλων καινοτομιών και με σκοπό την προστασία της τεχνολογίας και των εμπορικών μυστικών, η Guillemot δεν θα παρέχει, κατά βάση, καμία ειδοποίηση περί μετασκευής ή ανταλλακτικών για κανένα προϊόν της Thrustmaster του οποίου η περίοδος εγγύησης έχει λήξει.

## Ευθύνη

Αν επιτρέπεται από την ισχύουσα νομοθεσία, η Guillemot Corporation S.A. (εφεξής "Guillemot") και οι θυγατρικές της αποποιούνται κάθε ευθύνης για οποιαδήποτε ζημιά προκαλείται από ένα ή περισσότερα από τα ακόλουθα: (1) το προϊόν έχει τροποποιηθεί, ανοιχτεί ή μεταποιηθεί, (2) αποτυχία ως προς τη συμμόρφωση με τις οδηγίες συναρμολόγησης, (3) ακατάλληλη ή κακή χρήση, αμέλεια, ατύχημα (για παράδειγμα, πρόσκρουση), (4) φυσιολογική φθορά, (5) χρήση του προϊόντος για οποιαδήποτε άλλη χρήση πέρα από την οικιακή χρήση, συμπεριλαμβανομένης χρήσης για επαγγελματικούς ή εμπορικούς σκοπούς (για παράδειγμα, δωμάτια παιχνιδιών, εκπαίδευση, διαγωνισμοί). Αν επιτρέπεται από την ισχύουσα νομοθεσία, η Guillemot και οι θυγατρικές της αποποιούνται κάθε ευθύνης για οποιαδήποτε ζημιά δεν σχετίζεται με λάθος στο υλικό ή την κατασκευή αναφορά με το προϊόν (συμπεριλαμβάνεται, ενδεικτικά, οποιαδήποτε ζημιά προκαλείται άμεσα ή έμμεσα από οποιοδήποτε λογισμικό ή από συνδυασμό του προϊόντος της Thrustmaster με κάθε ακατάλληλο στοιχείο, συμπεριλαμβανομένων συγκεκριμένων παροχών ρεύματος, επαναφορτιζόμενων μπαταριών, φορτιστών ή άλλων στοιχείων που δεν παρέχονται από την Guillemot για αυτό το προϊόν).

**THRUSTMASTER®**

**ΤΕΧΝΙΚΉΣ ΥΠΟΣΤΉΡΙΞΗΣ**

<http://support.thrustmaster.com>



## πνευματικά δικαιώματα

© 2017 Guillemot Corporation S.A. Με την επιφύλαξη παντός δικαιώματος. Η ονομασία Thrustmaster® είναι εμπορικό σήμα της Guillemot Corporation S.A. Όλα τα υπόλοιπα εμπορικά σήματα αποτελούν ιδιοκτησία των αντίστοιχων κατόχων τους. Οι εικόνες δεν είναι δεσμευτικές. Τα περιεχόμενα, οι σχεδιασμοί και οι προσδιορισμοί προδιαγραφών υπόκεινται σε αλλαγή χωρίς ειδοποίηση και ενδέχεται να ποικίλουν από χώρα σε χώρα. Κατασκευάζεται στην Κίνα.

## ΣΥΣΤΑΣΗ ΠΡΟΣΤΑΣΙΑΣ ΠΕΡΙΒΑΛΛΟΝΤΟΣ



Στην Ευρωπαϊκή Ένωση: Στο τέλος της ωφέλιμης διάρκειας ζωής, το παρόν προϊόν δεν πρέπει να απορρίπτεται με τα τυπικά οικιακά απορρίμματα, αλλά να απορρίπτεται σε σημείο συλλογής απόρριψης ηλεκτρικού και ηλεκτρονικού εξοπλισμού για ανακύκλωση.

Το παρόν επιβεβαιώνεται με το σύμβολο που υπάρχει στο προϊόν, στο εγχειρίδιο χρήσης ή στη συσκευασία.

Ανάλογα με τα χαρακτηριστικά τους, τα υλικά μπορούν να ανακυκλωθούν. Μέσω της ανακύκλωσης και άλλων μορφών επεξεργασίας απόρριψης ηλεκτρικού και ηλεκτρονικού εξοπλισμού, μπορείτε να συμβάλετε σημαντικά

στην προστασία του περιβάλλοντος. Επικοινωνήστε με τις τοπικές αρχές για το πλησιέστερο σε εσάς σημείο συλλογής.

Για όλες τις υπόλοιπες χώρες: Να τηρείτε τους τοπικούς νόμους περί ανακύκλωσης του ηλεκτρικού και ηλεκτρονικού εξοπλισμού.

Κρατήστε αυτές τις πληροφορίες. Τα χρώματα και τα διακοσμητικά ενδέχεται να ποικίλουν.

Τα πλαστικά εξαρτήματα σύνδεσης και τα αυτοκόλλητα υλικά πρέπει να αφαιρούνται από το προϊόν πριν τη χρήση του.

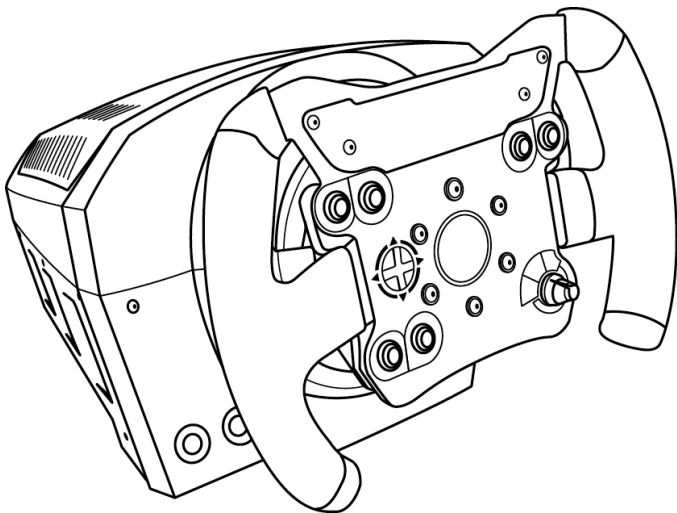
[www.thrustmaster.com](http://www.thrustmaster.com)

\*Ισχύει μόνο σε ΕΕ και Τουρκία

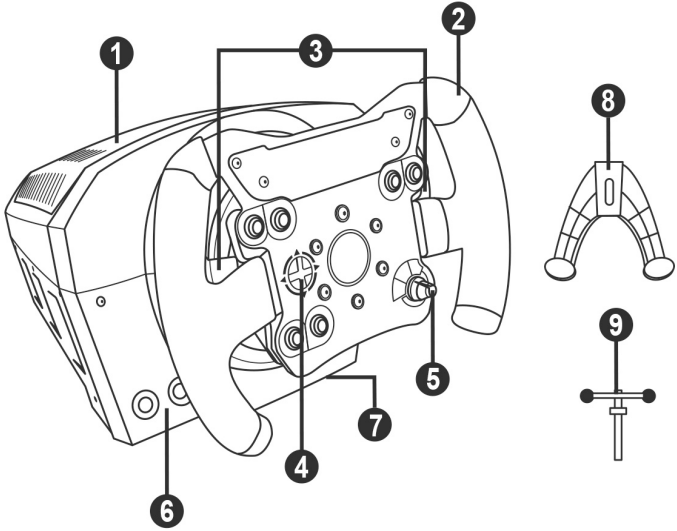


# TS-PC RACER

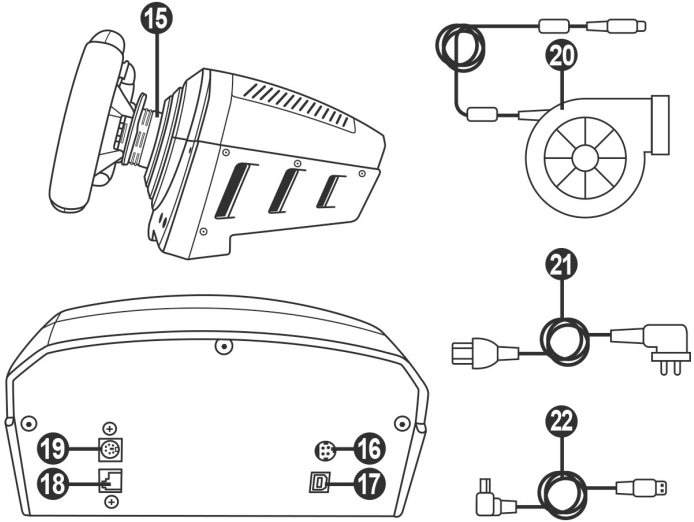
Kullanma Kilavuzu



## TEKNİK ÖZELLİKLER



- |   |   |
|---|---|
| 1 Taban   | 6 MODE düğmesi + kırmızı/yeşil gösterge lambası               |
| 2 Direksiyon  | 7 Büyük dişli delik (montaj sistemi ve sabitleme vidası için) |
| 3 2 direksiyondan kumandalı sıralı vites (up ve down) | 8 Montaj sistemi  |
| 4 D-ped   | 9 Metal bağlantı vidası                                       |
| 5 Push fonksiyonlu döner düğme                        |   |



- |   |   |
|---|---|
| 15 Thrustmaster Quick Release                           | 19 TH8A vites konektörü (vites ayrı olarak satılır) |
| 16 TURBO POWER güç kaynağı konektörü                    | 20 TURBO POWER güç kaynağı                          |
| 17 Çıkarılabilir USB kablosu konektörü                  | 21 Elektrik kablosu                                 |
| 18 Pedal seti konektörü (pedal set ayrı olarak satılır) | 22 Çıkarılabilir USB kablosu                        |

### DİREKSİYONUN ELEKTRİK PRİZİNE TAKILMASI: LÜTDEN DİKKATLE OKUYUNUZ!



**TURBO POWER güç kaynağını farklı gerilime sahip bir elektrik prizine asla bağlamayın!** TURBO POWER güç kaynağının gerilimi, güç kaynağı kablosu dışı konektörünün üzerinde bulunan etikette belirtilmiştir.



**TS-PC RACER tabanına asla TURBO POWER güç kaynağının dışında, konektör uyumlu olsa bile başka bir güç kaynağı bağlamayın!** Örneğin T500 RS direksiyon için olan güç adaptörünü asla TS-PC RACER tabanına bağlamayın.



## UYARI

Bu ürünü kullanmadan önce lütfen bu kılavuzu dikkatlice okuyun ve daha sonra başvurma ihtiyacı duymanız halinde kullanmak üzere güvenli bir yerde saklayın.



### **Uyarı - Elektrik çarpması**

- \* Ürünü kuru bir yerde saklayın ve toza veya güneş ışığına maruz bırakmayın.
- \* Konektörleri ve kabloları bükmeyin ve çekmeyin.
- \* Ürünün veya konektörlerinin üzerine herhangi bir sıvı dökmeyin.
- \* Ürünü kısa devre yapmayın.
- \* Ürünü asla parçalarına ayırmayın, ateşe atmayın ve yüksek sıcaklıklara maruz bırakmayın.
- \* Yarış direksiyonunuzla verilen elektrik kablosunun dışında elektrik kablosu kullanmayın.
- \* Kablo veya fişi hasarlı, yarık veya kırıkta elektrik kablosunu kullanmayın.
- \* Elektrik kablosunun prize ve yarış direksiyonu tabanının arka kısmında bulunan konektöre düzgün bir şekilde takıldığından emin olun.
- \* Yarış direksiyonunun içini açmayın: İçinde kullanıcı tarafından bakım/onarım yapılabilecek parça yoktur. Tüm onarım işlemleri üretici firma, yetkili temsilcisi veya kalifiye teknisyen tarafından yapılmalıdır.
- \* Sadece üretici tarafından belirtilmiş olan montaj sistemlerini/aksesuarları kullanın.
- \* Yarış direksiyonu beklenmeyen şekilde çalışıyorsa (anormal sesler, ısı veya koku yayıyorsa) direksiyonu kullanmayı derhal kesin, elektrik kablosunu prizden çekin ve diğer kabloları ayırın.
- \* Yarış direksiyonunu uzun süre kullanmayacaksınız elektrik kablosunu duvar prizinden çekin.
- \* Elektrik prizi ekipmana yakın ve kolayca ulaşılabilir olmalıdır.



### **Havalandırma delikleri**

Yarış direksiyonunun tabanı üzerindeki hiçbir havalandırma deliğini bloke etmediğinizden emin olun. Optimum havalandırma için aşağıdaki noktalara dikkat edin:

- \* Direksiyon tabanını tüm duvar yüzeylerinden en az 10 cm uzağa yerleştirin.
- \* Tabanı dar yerlere yerleştirmeyin.
- \* Tabanı örtmeyin.
- \* Havalandırma deliklerinin üzerinde toz birikmesine izin vermeyin.



**Güvenlik nedeniyle pedal setini asla çıplak ayaklarla veya ayağınıza sadece çorap giyerek kullanmayın.  
THRUSTMASTER® PEDAL SETİNİN AYAKKABISIZ KULLANILMASINDAN  
KAYNAKLANAN YARALANMALARDA HİÇBİR SORUMLULUK KABUL ETMEZ.**



### **Uyarı - Force Feedback ve tekrarlanan hareketlerden dolayı yaralanma**

Force Feedback direksiyonla oynamak kas veya eklem ağrısına neden olabilir. Her türlü sorunu önlemek için:

- \* Uzun oyun periyotlarından sakının.
- \* Her oyun saatinin ardından 10 ila 15 dakika ara verin.
- \* Ellerinizde, bileklerinizde, kollarınızda, ayaklarınızda veya bacaklarınızda yorgunluk veya ağrı hissederseniz oynamayı kesin ve yeniden oynamaya başlamadan önce birkaç saat dinlenin.



## **Uyarı - Force Feedback ve tekrarlanan hareketlerden dolayı yaralanma (devamı)**

- \* Yeniden oynamaya başladığınızda belirtilen semptomlar veya ağrı tekrar ederse oynamayı kesin ve bir doktora başvurun.
- \* Çocukların ulaşabileceği yerlerden uzak tutun.
- \* Oyun oynarken kollarınızı, tamamen gitmesine izin vermeden daima yarış direksiyonunun üzerinde doğru konumlandırılmış olarak bırakın.
- \* Oyun oynarken asla ellerinizi veya parmaklarınızı pedalların altına ya da pedal setine yakın yerlere koymayın.
- \* Kalibrasyon ve oyun sırasında asla elinizi veya kolunuzu yarış direksiyonundaki deliklere sokmayın.
- \* Yarış direksiyonu tabanının bu kılavuzda belirtildiği gibi düzgün bir şekilde sabitlendiğinden emin olun.



Sadece 16 yaş ve üzeri kullanıcılar tarafından kullanılabilir ürün

## **AĞIR ÜRÜN**



Ürünü kendinizin veya başkalarının üzerine düşürmemeye dikkat edin!

## **DAİMA**



## DİREKSİYONUN TABANINA TAKILMASI

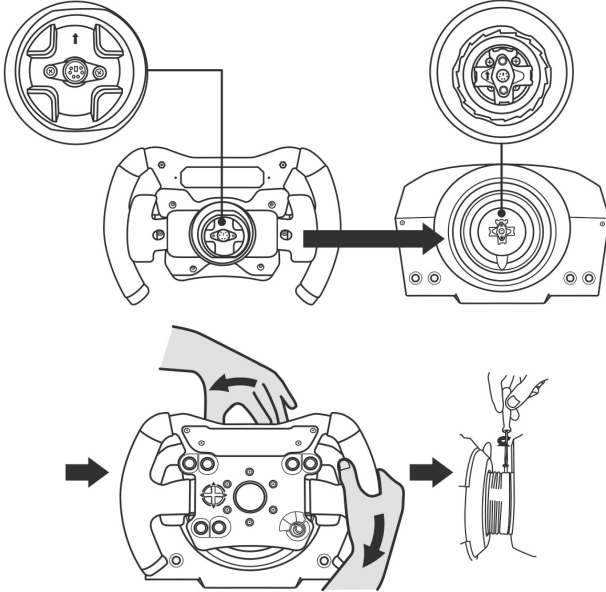
Konektör yerlerini okları kullanarak hizalayın:

**Taban (1) konektörü:** Ok yukarı doğru bakar

**Yarış direksiyonu (2) konektörü:** Ok yukarı doğru bakar

Konektörler doğru bir şekilde konumlandırıldıktan sonra yarış direksiyonunu (2) yerinde tutarken Thrustmaster Quick Release (15) aygıtının bileziğini saatin aksi yönünde döndürün.

Ardından bileziği mümkün olduğu kadar sıkın: bunu yapmak için bileziği yerinde tutarak yarış direksiyonunu saat yönünde döndürün.



Direksiyonunu taktıktan sonra Thrustmaster Quick Release (15) aygıtının bileziği üzerinde bulunan küçük montaj vidasına ulaşmak için direksiyonu 180° (direksiyona bakarken TM logosu baş aşağı olmalıdır) döndürün. Küçük ayar vidasını sıkamak için büyük yıldız tornavida kullanarak saat yönünde çevirin (fazla güç uygulamayın).



**Yıldız tornavida kullanarak küçük montaj vidasını sıkarken aşırı güç KULLANMAYIN!**

**Bir miktar direnç hisseders hissetmez vidayı döndürmeyi kesin.**

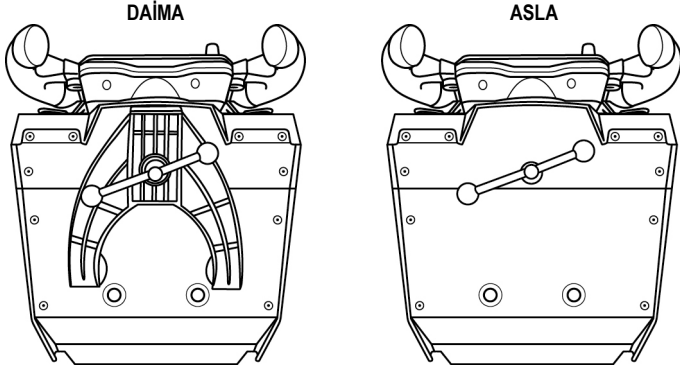
# YARIŞ DİREKSİYONUNUN MONTE EDİLMESİ

## Yarış direksiyonu tabanını kokpite monte etme

1. Yarış direksiyonu tabanını kokpit rafına yerleştirin.
2. İki adet M6 vidayı (ürünle verilmez) kokpit rafından geçirin ve yarış direksiyonunun altında bulunan iki küçük vida deliğine takın.  
*Önemli: İki M6 vidanın boyu raf kalınlığı + 12 mm'yi geçmemelidir; daha uzun vidalar yarış direksiyonu tabanında bulunan dahili bileşenlere zarar verebilirler.*
3. Gerekirse bağlantı vidasını büyük dişli deliğe geçirerek standart montaj sistemini sıkın.

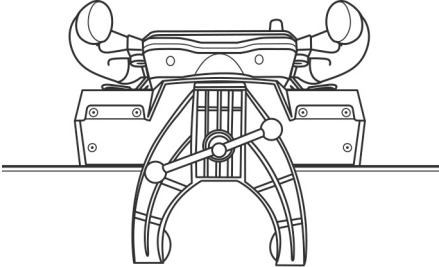
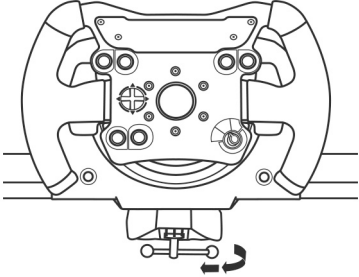
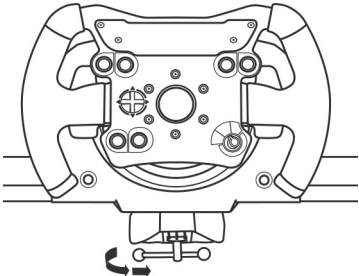
## Yarış direksiyonunun bir sehpa veya masaya monte edilmesi

1. Yarış direksiyonunu bir masa veya yatay, düz ve sağlam bir yüzeye yerleştirin.
2. Bağlantı vidasını (9) montaj sistemine (8) takın ve direksiyon tamamen sabitlenene dek bağlantı vidasını saatin aksi yönünde sıkarak, yarış direksiyonunu altındaki büyük dişli deliğe (7) geçirin.



### UYARI:

- Vidayı, montaj sistemi olmadan asla tek başına sıkmayın (yarış direksiyonuna zarar verebilir).

MONTE ETME / SÖKME	YÖN
<p><b><u>Sıkmak için:</u></b></p> <p><i>Vidayı saatin aksi yönünde çevirin</i></p>	 
<p><b><u>Gevşetmek için:</u></b></p> <p><i>Vidayı saat yönünde çevirin</i></p>	

## PC İÇİN YARIŞ DİREKSİYONU KURULUMU

1. <http://support.thrustmaster.com> adresine giderek PC için sürücülerini ve force feedback yazılımını indirin. Racing Wheels / TS-PC RACER'a tıklayın, ardından Drivers'ı seçin.

2. İndirme tamamlandığında kurulumu başlatın ve ekrandaki talimatları izleyerek direksiyonun USB jakını bilgisayarınıza bağlayın ve kurulumu tamamlayın.

3. Kurulum tamamlandığında Finish düğmesine tıklayın ve bilgisayarınızı yeniden başlatın.

4. Başlat / Tüm Programlar / Thrustmaster / FFB Racing Wheel / Control Panel'ı seçerek Oyun Kumandaları penceresini açın.

Oyun Kumandaları penceresi, yarış direksiyonunun adını TS-PC RACER Tamam durumunda gösterir.

5. TS-PC RACER kontrol panelinde direksiyonunuzu ayarlamak için Özellikler'e tıklayın:

- Test Input (Giriş Testi) sekmesi: PC oyunlarında eylem düğmelerini, yön düğmelerini, direksiyonu ve pedal eksenlerini test etmenizi ve görüntülemenizi, direksiyonun dönüş açısını ayarlamınızı sağlar.
- Test Forces (Güç Testi) sekmesi: 12 force feedback etkisini test etmenizi sağlar.
- Gain Settings (Kazanç Ayarları) sekmesi: PC oyunlarınızda force feedback efektlerinin gücünü ayarlamınızı sağlar.

**Artık oynamaya hazırsınız!**

Genel notlar:

- PC'de oyunu başlatmadan önce Tamam'a tıklayarak Oyun Kumandaları penceresini kapatın.
- Direksiyonunuzun donanım yazılımı sürümünü kontrol panelinin sekmelerinde sağ üst köşede gösterilir.

## YARIŞ DİREKSİYONUNUZUN DONANIM YAZILIMINI GÜNCELLEME

Yarış direksiyonunuzun tabanında bulunan donanım yazılımı ürün geliştirmeleri içeren daha yeni sürümlere güncellenebilir.

Yarış direksiyonunuzun halihazırda kullandığı donanım yazılımı sürümünü görmek ve gerektiğinde güncellemek için: PC'de <http://support.thrustmaster.com> adresine gidin. Racing Wheels / TS-PC RACER'a tıklayın, daha sonra Firmware'i seçerek indirme ve yükleme prosedüründe açıklanan talimatları izleyin.

## OTOMATİK YARIŞ DİREKSİYONU KALİBRASYONU

Yarış direksiyonunu elektrik prizine takıp yarış direksiyonunun USB konektörünü bağladığınızda yarış direksiyonu kendini otomatik olarak kalibre eder. Bu aşamada yarış direksiyonu, 1080 derecelik bir açığı kaplayıp merkezde durmadan önce sola ve sağa doğru hızlı bir şekilde döner.



**UYARI:**

Otomatik kalibrasyon aşamasında yarış direksiyonuna asla dokunmayın.  
(*Hatalı kalibrasyona ve/veya yaralanmalara neden olabilir.*)

**Yarış direksiyonu düzgün çalışmıyorsa veya düzgün kalibre edilmemiş gibi gözüküyorsa:**

PC'nizi kapatın ve yarış direksiyonunuzun tamamen ayırın. Tüm kabloları (elektrik kablosu ve pedal seti dahil) tekrar bağlayın, ardından PC'nizi ve oyununuzu yeniden başlatın.

## DİREKSİYON TABANI İÇİN DAHİLİ SOĞUTMA SİSTEMİ

Direksiyon tabanı için dahili soğutma sistemi

- direksiyon açıldığında çalışmaya başlar.
- dahili sıcaklık düşük bir seviyeye indiğinde birkaç dakika süreyle işlem yapılmazsa kapanır.
- direksiyonu kullandığınızda yeniden açılır.

## MOD DÜĞMESİ VE GÖSTERGE LAMBASI (6)

### Pedal seti MOD düğmesi

Pedal seti konektörüne (18) bağlı bir Thrustmaster T3PA veya T3PA-PRO pedal seti kullanıyorsanız gaz ve debriyaj pedallarını elektronik olarak karşılıklı değiştirebilirsiniz.

Bunu yapmak için MOD düğmesine (6) 2 saniye süreyle basın.

Yarış direksiyonunun dahili hafızası pedalların değiştirilip değiştirilmediğini kaydeder.

GAZ VE DEBRİYAJ PEDALLARI	MOD gösterge lambasının rengi (6)
NORMAL	KIRMIZI
DEĞİŞTİRİLDİ	YEŞİL

### MODE düğmesi ile ilgili diğer bilgiler

MODE düğmesi ve gösterge lambası ile ilgili daha fazla bilgi için lütfen bkz. <http://support.thrustmaster.com>. Racing Wheels / TS-PC RACER'a tıklayın ve daha sonra Manual veya FAQ'yu seçin.

## YARDIM DOSYALARI VE SIK SORULAN SORULAR (BU KILAVUZDA GEÇMEZ)

Lütfen bkz. <http://support.thrustmaster.com>. Racing Wheels / TS-PC RACER'a tıklayın ve daha sonra Manual veya FAQ'yu seçin.

# THRUSTMASTER EKO SİSTEMİ İLE UYUMLULUK

## Pedal setleri

TS-PC RACER taban şunlarla uyumludur:

- Doğrudan pedal seti konektörüne **(18)** bağlı **Thrustmaster T3PA** ve **T3PA-PRO** pedal setleri.
- Pedal seti konektörüne **(18)** bağlamak için DB9 konektörle donatılmış Thrustmaster olmayan pedal setlerini destekleyen Thrustmaster **DB9 PEDALS T.RJ12 ADAPTER**.
- **Piyasadaki tüm USB pedal setleri** (MULTI-USB ve USB pedal setlerini destekleyen oyunlarda).

## Direksiyonlar

TS-PC RACER taban aşağıdakiler dahil tüm Thrustmaster ayrılabilir direksiyonlarla uyumludur:

- **Ferrari 599XX EVO 30 Wheel Add-On Alcantara Edition**
- **Ferrari F1 Wheel Add-On**
- **Ferrari GTE Wheel Add-On Ferrari 458 Challenge Edition**
- **TM Leather 28 GT Wheel Add-On**
- **TM Open Wheel Add-On**
- vb.

## Vitesler:

TS-PC RACER şunlarla uyumludur:

- "Sıralı (+/-)" mod için doğrudan TH8A vites **(19)** konektörüne bağlanan veya "H şekilli (7+1)" ve ANALOG / EL FRENİ modları için USB portuna bağlanan Thrustmaster **TH8A Shifter Add-On**.
- **Piyasadaki tüm USB vitesler** (MULTI-USB ve USB vitesleri destekleyen oyunlarda).

EN

FR

DE

NL

IT

ES

PT

BR

RU

EL

TR

PL

繁體中文

한국어



## TÜKETİCİ GARANTİ BİLGİSİ

İşbu Thrustmaster ürünü, malzeme ve işçilik hatalarına karşı, müşterinin kusurlu ürünün ücretinin iade edilmesi veya değiştirilmesi talebinde bulunabileceği süreye karşılık gelen garanti süresince dünya çapında tescil edilmiş merkezi Place du Granier, B.P. 97143, 35571 Chantepie, Fransa'da bulunan Guillemot Corporation S.A. tarafından sonra "Guillemot" olarak ifade edilecektir) garantisini altındadır. Avrupa Birliği ülkelerinde bu süre, Thrustmaster ürününün tesliminden itibaren iki (2) seneye karşılık gelir. Diğer ülkelerde garanti süresi, Thrustmaster ürünü ile ilgili olarak, Thrustmaster ürününün satın alındığı tarihte müşterinin ikamet ettiği ülkede geçerli yasalara uygun şekilde, müşterinin kusurlu ürünün ücretinin iade edilmesi veya değiştirilmesi talebinde bulunabileceği süreye karşılık gelir (İlgili ülkede bu tür bir düzenleme mevcut değilse garanti süresi Thrustmaster ürününün satın alındığı asıl tarihten itibaren bir (1) yıl olacaktır).

Garanti süresi içinde üründe hata veya kusur tespit edilmesi durumunda derhal izlenecek yöntem ile ilgili size bilgi verecek olan Teknik Destek servisimize başvurun. Hata veya kusur onaylanırsa ürünün satın alındığı yere (ya da Teknik Destek servisi tarafından belirtilen yere) iade edilmesi gerekmektedir.

İşbu garanti kapsamında müşterinin kusurlu ürünü, Teknik Destek servisinin insiyatifine bağlı olarak, değiştirilecek veya çalışır hale getirilecektir. Garanti süresince Thrustmaster ürününün onarım işlemine tabi tutulması durumunda, ürünün kullanım dışı olduğu en az yedi (7) günlük tüm süreler kalan garanti süresine eklenecektir (bu süre, ürünün onarılması için hazır bulundurulduğu tarih müdahale edilmesi için talepte bulunduğu tarihi takip ediyor ise müşterinin müdahale edilmesi için talepte bulunduğu tarihten veya bahse konu ürünün onarılması için hazır bulundurulduğu tarihten başlar). Yürürlükte olan yasaların izin verdiği durumlarda, Guillemot ve bağlılarının tüm sorumluluğu (dolaylı hasarlar da dahil olmak üzere) Thrustmaster ürününün çalışır hale getirilmesi veya değiştirilmesi ile sınırlıdır. Yürürlükte olan yasaların izin vermesi halinde Guillemot, ticarete elverişlilik veya belirli bir amaca uygunluk ile ilgili tüm garantileri reddeder.

İşbu garanti aşağıdaki durumlar için geçerli değildir: (1) Ürün modifiye edilmişse, açılmışsa, üzerinde değişiklik yapılmışsa, uygunsuz veya kötü kullanım, ihmal, kaza, normal aşınma ya da malzeme veya üretim hatası ile ilgili olmayan nedenlerden dolayı hasar görmüşse (ancak bununla sınırlı kalmamak üzere, Thrustmaster ürününü herhangi uygun bir elemanla birleştirmek, buna dahil olarak özellikle güç kaynakları, yeniden doldurulabilir piller, şarj cihazları veya bu ürün için Guillemot tarafından tedarik edilmemiş tüm diğer elemanlar); (2) ürün, evde kullanım dışında, profesyonel veya ticari maksatlı olanlar da dahil olmak üzere (örneğin oyun salonları, eğitim, yarışlar) başka maksatlarla kullanılmışsa; (3) Teknik Destek servisi tarafından sağlanan talimatlara uyulmamışsa; (4) yazılım için, işbu garanti geçerli değildir, söz konusu yazılım için sağlanan özel garanti hükümlerine tabidir; (5) sarf malzemeleri için (ürün kullanım süresi içinde değiştirilecek elemanlar: örneğin; tek kullanımlık piller, kulaklık yastıkları); (6) aksesuarlar için (örneğin; kablolar, kılıflar, cepler, çantalar, bileklikler); (7) ürün açık artırma ile satılmışsa.

Bu garanti devrolunamaz.

Tüketim mallarının tüketicinin ülkesinde satışına ilişkin tüketicinin yasal hakları işbu garantiden etkilenmemektedir.

## Ek garanti hükümleri

Garanti süresince, tüm Thrustmaster ürünlerini açmaya ve/veya onarmaya yetkili tek taraf Teknik Destek Servisi olduğundan prensip olarak Guillemot tarafından hiçbir yedek parça sağlanmayacaktır (Uygulanabilir olması durumunda yazılı talimatlarla ve müşteriye gerekli yedek parça(lar) sağlanarak Teknik Destek Servisinin müşteri tarafından yapılmasını isteyebileceği tüm onarım prosedürleri hariç – örneğin onarım işleminin basit olmasından ve gizlilik içermemesinden dolayı).

İnovasyon döngülerini dikkate almak ve bilgi birikimi ile ticari sırlarını korumak için Guillemot, prensip olarak garanti süresi dolmuş hiç bir Thrustmaster ürünü için onarım bilgisi veya yedek parça sağlamayacaktır.

## Sorumluluk

Yürürlükte olan yasaların izin vermesi halinde, Guillemot Corporation S.A. (bundan sonra "Guillemot" olarak ifade edilecektir) ve bağlıları aşağıdakilerin biri veya daha fazlasından kaynaklanan her türlü hasara karşı tüm sorumluluğu reddeder: (1) Ürün modifiye edilmişse, açılmışsa, üzerinde değişiklik yapılmışsa; (2) montaj talimatlarına uyulmamışsa; (3) uygunsuz veya kötü kullanım, ihmal, kaza (örneğin bir darbe); (4) normal aşınma; (5) ürünün, evde kullanım dışında, profesyonel veya ticari amaçlı olanlar da dahil olmak üzere (örneğin oyun salonları, eğitim, yarışlar) başka amaçlarla kullanılması. Yürürlükte olan yasaların izin vermesi halinde, Guillemot ve bağlıları ürünle ilgili malzeme veya üretim hatası ile ilgili olmayan her türlü hasara karşı tüm sorumluluğu reddeder (ancak bununla sınırlı kalmamak üzere, herhangi bir yazılımdan veya Thrustmaster ürününün herhangi bir uygun olmayan elemanla birleştirilmesinden doğrudan veya dolaylı olarak kaynaklanan tüm hasarlar, buna dahil olarak özellikle güç kaynakları, yeniden doldurulabilir piller, şarj cihazları veya bu ürün için Guillemot tarafından tedarik edilmemiş tüm diğer elemanlar).

**THRUSTMASTER®**

**TEKNİK DESTEK**

<http://support.thrustmaster.com>



## TELİF HAKKI

© 2017 Guillemot Corporation S.A. Tüm hakları saklıdır. Thrustmaster® Guillemot Corporation S.A'nın tescilli markasıdır. Diğer tüm ticari markalar kendi sahiplerinin. Resimler bağlayıcı değildir. İçerik, tasarım ve özellikler önceden haber verilmeksizin değiştirilebilir ve bir ülkeden başka bir ülkeye değişiklik gösterebilir. Çin'de yapılmıştır.

## ÇEVRE KORUMA ÖNERİLERİ



Avrupa Birliği'nde: Cihazın kullanım ömrü sona erdiğinde, standart ev atıkları ile atılmamalı, geri dönüşüm için Atık Elektrikli ve Elektronik Cihazların toplandığı bir yere bırakılmalıdır.

Bu, ürünün, kullanım kılavuzunun veya paketin üzerinde bulunan sembol ile onaylanmıştır.

Özelliklerine bağlı olarak malzemeler geri dönüştürülebilir. Atık Elektrik ve Elektronik Cihazların geri dönüşümü veya diğer işleme yöntemleri sayesinde çevrenin korunmasına yönelik önemli bir katkıda bulunabilirsiniz. Size en yakın toplama merkezleri hakkında bilgi almak için lütfen yerel yetkililerle iletişime geçin.

Diğer ülkeler için: Lütfen elektrikli ve elektronik cihazların geri dönüşümü için yerel yasalara uyunuz.

## AEEE Yönetmeliğine Uygundur.

Bu belgeyi saklayın. Renkler ve süslemeler değişiklik gösterebilir.  
Plastik tutturucular ve bantlar, kullanmadan önce üründen çıkarılmalıdır.

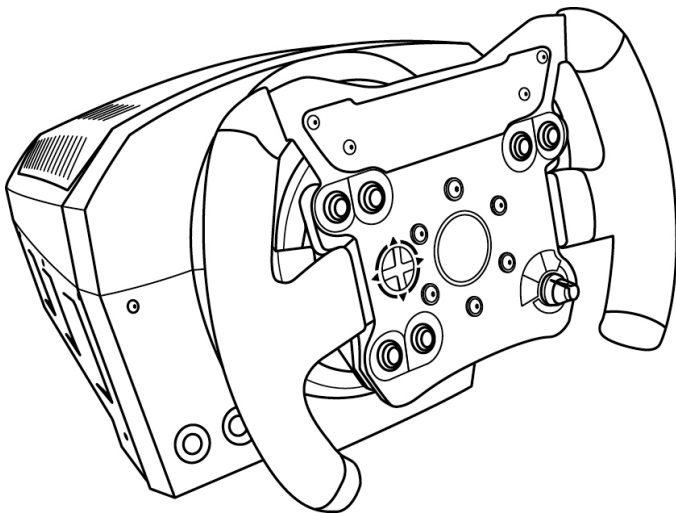
[www.thrustmaster.com](http://www.thrustmaster.com)

*\*Sadece AB ve Türkiye için geçerlidir*



# TS-PC RACER

Instrukcja obsługi



EN

FR

DE

NL

IT

ES

PT

BR

RU

EL

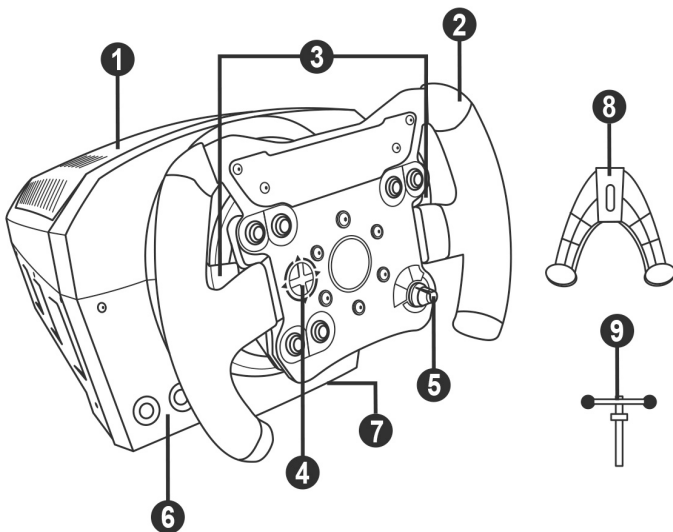
TR

**PL**

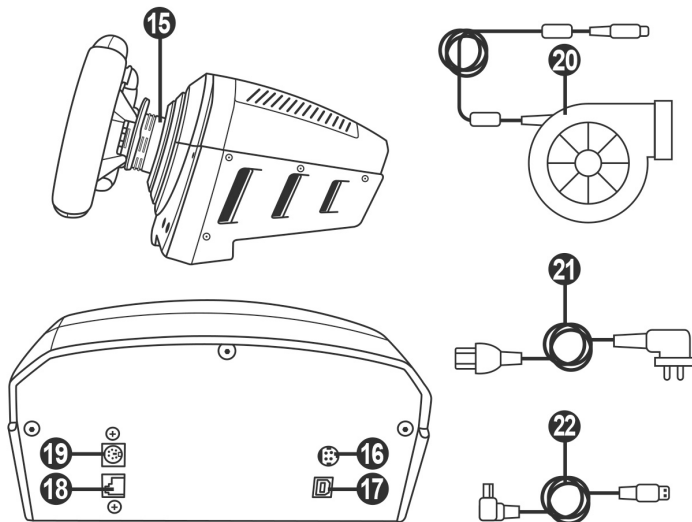
繁體中文

한국어

## ELEMENTY



- |   |   |
|---|---|
| 1 Podstawa  | 6 Przycisk MODE + czerwona/zielona kontrolka                    |
| 2 Kierownica  | 7 Duży gwintowany otwór (na element montażowy i śrubę mocującą) |
| 3 2 łopatki sekwencyjnej zmiany biegów (w górę i w dół) | 8 Element montażowy   |
| 4 D-pad   | 9 Metalowa śruba mocująca                                       |
| 5 Przełącznik obrotowy z funkcją przycisku              |   |



- |  |  |
|--|--|
| 15 Thrustmaster Quick Release                                | 19 Złącze skrzyni biegów TH8A (skrzynia do nabycia osobno) |
| 16 Złącze zasilacza TURBO POWER                              | 20 Zasilacz TURBO POWER                                    |
| 17 Złącze kabla USB  | 21 Kabel zasilania   |
| 18 Złącze zestawu pedałów (zestaw pedałów do nabycia osobno) | 22 Kabel USB   |

### PODŁĄCZANIE KIEROWNICY DO GNIAZDA ELEKTRYCZNEGO: PRZECZYTAJ UWAŻNIE!



**Nigdy nie podłączaj zasilacza TURBO POWER do gniazda elektrycznego o innym napięciu!**  
Napięcie zasilacza TURBO POWER jest podane na etykiecie znajdującej się nad żeńskim złączem kabla zasilania.



**Nigdy nie podłączaj do podstawy TS-PC RACER innego zasilacza niż TURBO POWER, nawet jeśli ma on zgodne złącze! Przykładowo nie podłączaj do podstawy TS-PC RACER zasilacza przeznaczanego do kierownicy T500 RS.**

## OSTRZEŻENIE

Zanim rozpoczniesz korzystanie z urządzenia, szczególnie zapoznaj się z niniejszą instrukcją, a następnie zachowaj ją do wglądu.



### **Ostrzeżenie — ryzyko porażenia prądem elektrycznym**

- \* Przechowuj urządzenie w suchym miejscu i nie wystawiaj go na działanie kurzu ani światła słonecznego.
- \* Nie skręcaj ani nie naciągaj złączy ani kabli.
- \* Nie wylewaj cieczy na urządzenie ani jego złącza.
- \* Nie zwieraj urządzenia.
- \* Nie demontuj urządzenia, nie wrzucaj go do ognia ani nie narażaj na działanie wysokich temperatur.
- \* Nie używaj kabla zasilania innego niż dostarczony z kierownicą.
- \* Nie używaj kabla zasilania, jeśli sam kabel lub jego złącza są uszkodzone, pęknięte lub przerwane.
- \* Upewnij się, że kabel zasilania jest właściwie podłączony do gniazda elektrycznego i do złącza znajdującego się z tyłu podstawy kierownicy.
- \* Nie otwieraj kierownicy: w jej wnętrzu nie ma części przeznaczonych do naprawiania przez użytkownika. Naprawy może wykonywać wyłącznie producent, jego autoryzowany przedstawiciel lub wykwalifikowany serwisant.
- \* Korzystaj wyłącznie z elementów montażowych/akcesoriów określonych przez producenta.
- \* W przypadku nietypowego działania kierownicy (na przykład gdy wydobywają się z niej dziwne dźwięki, ciepło lub zapachy) natychmiast przestań jej używać, wyciągnij kabel zasilania z gniazda elektrycznego i odłącz pozostałe kable.
- \* Jeśli nie zamierzasz korzystać z kierownicy przez dłuższy czas, wyciągnij jej kabel zasilania z gniazda elektrycznego.
- \* Gniazdo elektryczne musi znajdować się w pobliżu urządzenia i musi być łatwo dostępne.



### **Odpowietzniki**

Dbaj, aby żaden z odpowietzników w podstawie kierownicy nie był zasłonięty. W celu zapewnienia optymalnej wentylacji przestrzegaj następujących zaleceń:

- \* Ustaw podstawę kierownicy w odległości co najmniej 10 cm od wszelkich ścian.
- \* Nie umieszczaj podstawy w ciasnych miejscach.
- \* Nie przykrywaj podstawy.
- \* Nie dopuszczaj do gromadzenia się kurzu w odpowietznikach.



**Ze względów bezpieczeństwa zestawu pedałów nie wolno używać w bosych stopach ani w samych skarpetach. FIRMA THRUSTMASTER® NIE PONOSI ŻADNEJ ODPOWIEDZIALNOŚCI ZA EWENTUALNE OBRAŻENIA CIAŁA WYNIKŁE Z UŻYWANIA ZESTAWU PEDAŁÓW BEZ OBUWIA.**



### **Ostrzeżenie — ryzyko obrażeń ciała spowodowanych siłowym sprzężeniem zwrotnym i powtarzającymi się ruchami**

Granie przy użyciu kierownicy z siłowym sprzężeniem zwrotnym (Force Feedback) może doprowadzić do bólu mięśni lub stawów. W celu uniknięcia problemów:

- \* Unikaj grania przez długi czas.
- \* Po każdej godzinie gry rób 10–15 minut przerwy.
- \* Jeśli odczuwasz zmęczenie lub ból dłoni, nadgarstków, ramion, stóp albo nóg, przerwij grę, a przed jej ponownym rozpoczęciem odpocznij kilka godzin.



**Ostrzeżenie — ryzyko obrażeń ciała spowodowanych siłowym sprzężeniem zwrotnym i powtarzającymi się ruchami (ciąg dalszy)**

- \* Jeśli po ponownym rozpoczęciu gry opisane objawy lub ból powrócą, przerwij grę i skonsultuj się z lekarzem.
- \* Trzymaj kierownicę z dala od dzieci.
- \* Podczas gry zawsze trzymaj obie dłonie we właściwym położeniu na kierownicy bez jej całkowitego puszczenia.
- \* Podczas gry nigdy nie kładź dłoni ani palców pod pedałami ani w pobliżu zestawu pedałów.
- \* Podczas kalibracji i gry nigdy nie przekładaj dłoni ani ramion przez otwory w kierownicy.
- \* Sprawdź, czy podstawa kierownicy jest właściwie zamocowana zgodnie ze wskazówkami podanymi w niniejszej instrukcji.



Urządzenie tylko dla użytkowników  
powyżej 16 roku życia

**CIĘŻKIE URZĄDZENIE**



Uważaj, aby nie upuścić urządzenia na  
siebie ani inną osobę!

**ZAWSZE**





## ZAKŁADANIE KIEROWNICY NA PODSTAWĘ

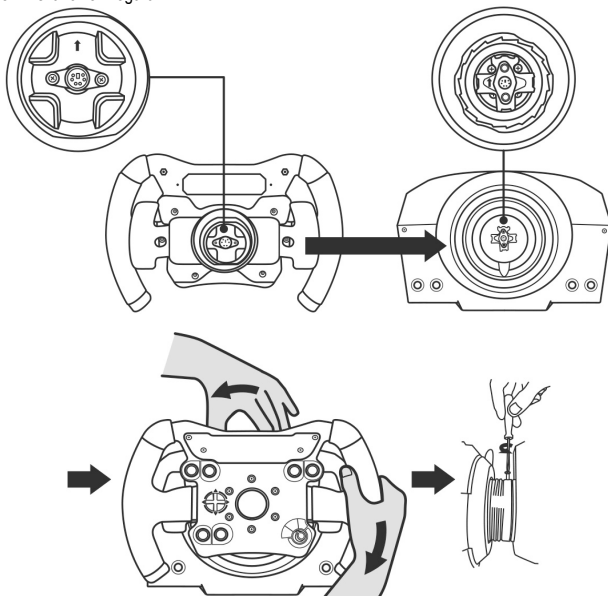
Wyrównaj położenie złączy przy użyciu strzałek:

**Złącze podstawy (1):** strzałka skierowana w górę

**Złącze kierownicy (2):** strzałka skierowana w górę

Po prawidłowym ustawieniu złączy obróć pierścienie mechanizmu Thrustmaster Quick Release (15) przeciwnie do ruchu wskazówek zegara, jednocześnie przytrzymując kierownicę (2).

Następnie maksymalnie dokręć pierścieni. W tym celu przytrzymaj pierścieni i obracaj kierownicę zgodnie z ruchem wskazówek zegara.



Po zamontowaniu kierownicy obróć ją o 180° (gdy staniesz przodem do kierownicy, logo TM powinno być zwrócone dołem do góry), aby uzyskać dostęp do śrubki mocującej znajdującej się na pierścieniu mechanizmu Thrustmaster Quick Release (15). Przy użyciu dużego śrubokręta krzyżakowego dokręć śrubkę mocującą (bez używania nadmiernej siły), obracając ją zgodnie z ruchem wskazówek zegara.



**Gdy korzystasz ze śrubokręta krzyżakowego, NIE używaj nadmiernej siły podczas dokręcania śrubki mocującej!**

**Gdy tylko poczujesz opór, przerwij dokręcanie.**

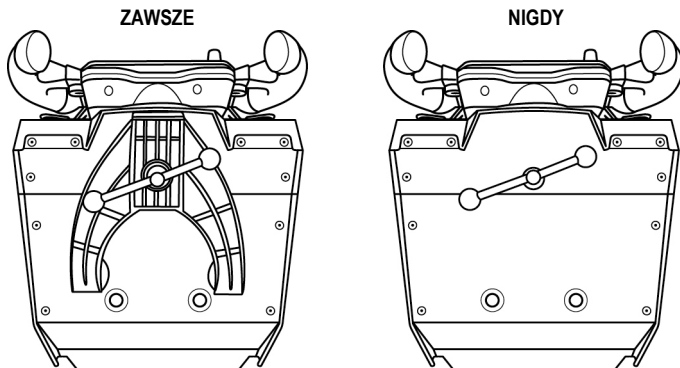
# MOCOWANIE KIEROWNICY

## Mocowanie podstawy kierownicy do kokpitu

1. Umieść podstawę kierownicy na półce kokpitu.
2. Wkręć dwie śruby M6 (do nabycia osobno) przez półkę kokpitu w dwa niewielkie gwintowane otwory znajdujące się pod kierownicą.  
*Ważne: Długość dwóch śrub M6 nie może przekraczać grubości półki powiększonej o 12 mm. Dłuższe śruby mogą spowodować uszkodzenie elementów wewnętrznych znajdujących się w podstawie kierownicy.*
3. W razie potrzeby zamocuj standardowy element montażowy, wkręcając śrubę mocującą w duży gwintowany otwór.

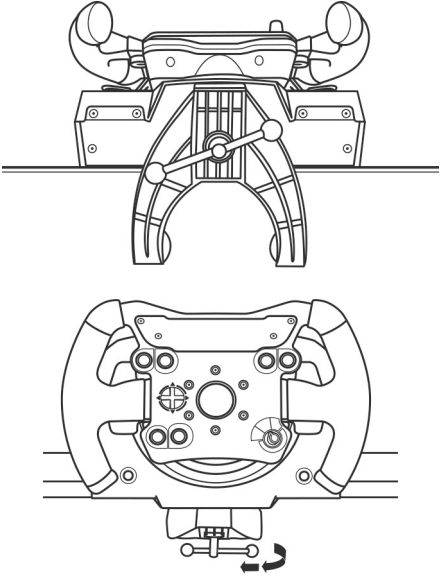
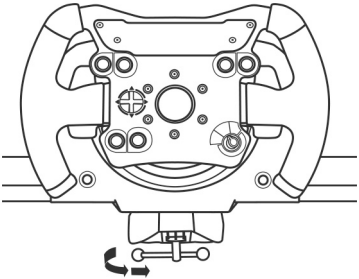
## Mocowanie kierownicy do stołu lub biurka

1. Połóż kierownicę na stole lub innej poziomej, płaskiej i stabilnej powierzchni.
2. Włóż śrubę mocującą (9) w element montażowy (8), a następnie zamocuj urządzenie, wkręcając śrubę przeciwnie do ruchu wskazówek zegara w duży gwintowany otwór (7) znajdujący się pod kierownicą aż do solidnego i stabilnego zamocowania kierownicy.



### **OSTRZEŻENIE:**

- Nie wolno wkręcać samej śruby bez elementu montażowego. (Może to spowodować uszkodzenie kierownicy).

MOCOWANIE/ZDEJMOWANIE	KIERUNEK
<p><b><u>Dokręcanie:</u></b></p> <p><i>Obróć śrubę przeciwnie do ruchu wskazówek zegara</i></p>	
<p><b><u>Odkręcanie:</u></b></p> <p><i>Obróć śrubę zgodnie z ruchem wskazówek zegara</i></p>	

## KONFIGUROWANIE KIEROWNICY POD KĄTEM KOMPUTERA PC

1. Wejdź na stronę <http://support.thrustmaster.com>, aby pobrać sterowniki i oprogramowanie siłowego sprzężenia zwrotnego dla komputera PC. Kliknij Racing Wheels / TS-PC RACER, a następnie wybierz Drivers.

2. Po zakończeniu pobierania uruchom instalację, a następnie zgodnie z instrukcjami wyświetlanymi na ekranie podłącz wtyczkę USB kierownicy do komputera i dokończ instalację.

3. Po zakończeniu instalacji kliknij Finish (Zakończ) i uruchom ponownie komputer.

4. Wybierz Start / All Programs / Thrustmaster / FFB Racing Wheel / Control Panel (Start / Wszystkie programy / Thrustmaster / FFB Racing Wheel / Panel sterowania), aby otworzyć okno Game Controllers (Kontrolery gier).

W oknie Game Controllers (Kontrolery gier) zostanie wyświetlona nazwa kierownicy Thrustmaster TS-PC RACER ze statusem OK.

5. W panelu sterowania kierownicy TS-PC RACER kliknij Properties (Właściwości), aby skonfigurować kierownicę:

- Karta Test Input (Testuj wejście) umożliwia testowanie i wyświetlanie przycisków czynności, przycisków kierunkowych oraz osi kierownicy i pedałów, a także regulowanie kąta obrotu kierownicy w grach na komputer PC.
- Karta Test Forces (Testuj siły) umożliwia testowanie 12 efektów siłowego sprzężenia zwrotnego.
- Karta Gain Settings (Ustawienia wzmocnienia) umożliwia regulowanie natężenia efektów siłowego sprzężenia zwrotnego w grach na komputer PC.

***Teraz możesz zacząć grać!***

Uwagi ogólne:

– Na komputerze PC przed uruchomieniem gry kliknij OK, aby zamknąć okno Game Controllers (Kontrolery gier).

– Wersja oprogramowania sprzętowego kierownicy jest wyświetlana w prawym górnym rogu kart panelu sterowania.

## AKTUALIZACJA OPROGRAMOWANIA SPRZĘTOWEGO KIEROWNICY

Oprogramowanie zawarte w podstawie kierownicy można zaktualizować do nowszej wersji zawierającej różne udoskonalenia.

Aby wyświetlić wersję oprogramowania sprzętowego, z której obecnie korzysta kierownica, i w razie potrzeby ją zaktualizować, na komputerze wejdź na stronę <http://support.thrustmaster.com>. Kliknij **Racing Wheels / TS-PC RACER**, wybierz **Firmware**, a następnie postępuj zgodnie z instrukcją pobierania i instalacji.

## AUTOMATYCZNA KALIBRACJA KIEROWNICY

Kierownica kalibruje się automatycznie po jej podłączeniu do gniazda elektrycznego oraz podłączeniu złącza USB kierownicy.

Podczas tej operacji kierownica obraca się szybko w lewo i w prawo (łącznie o 1080 stopni), a następnie zatrzymuje w położeniu środkowym.



### **OSTRZEŻENIE:**

**Podczas automatycznej kalibracji nie wolno dotykać kierownicy!  
(Może to doprowadzić do błędów kalibracji i/lub obrażeń ciała).**

**Jeśli kierownica nie działa prawidłowo lub wydaje się niewłaściwie skalibrowana:**

Wyłącz komputer i całkowicie odłącz kierownicę. Następnie podłącz ponownie wszystkie kable (w tym kabel zasilania i zestaw pedałów) oraz uruchom ponownie komputer i grę.

## WEWNĘTRZNY UKŁAD CHŁODZENIA W PODSTAWIE KIEROWNICY

Wewnętrzny układ chłodzenia w podstawie kierownicy:

- zaczyna działać w momencie włączenia zasilania kierownicy;
- wyłącza się po kilku minutach bezczynności, gdy temperatura wewnętrzna spadnie do odpowiednio niskiego poziomu;
- włącza się ponownie, gdy korzystasz z kierownicy.

## PRZYCIŚK I KONTROLKA MODE (6)

### **Przycisk MODE do zestawu pedałów**

Jeśli korzystasz zestawu pedałów Thrustmaster T3PA lub T3PA-PRO podłączonego do złącza zestawu pedałów (18), możesz elektronicznie zamienić pedały przyspieszenia i sprzęgła.

W tym celu naciśnij przycisk MODE (6) i przytrzymaj go przez 2 sekundy.

Informacja o tym, czy pedały zostały zamienione miejscami, jest przechowywana w wewnętrznej pamięci kierownicy.

PEDAŁY GAZU I SPRZĘGŁA	Kolor kontrolki MODE (6)
NORMALNE	CZERWONY
ZAMIENIONE	ZIELONY

### **Inne informacje na temat przycisku MODE**

Więcej informacji na temat przycisku i kontrolki MODE znajdziesz na stronie <http://support.thrustmaster.com>. Kliknij **Racing Wheels / TS-PC RACER**, a następnie wybierz **Manual** lub **FAQ**.

## PLIKI POMOCY I CZĘSTO ZADAWANE PYTANIA (NIEZAMIESZCZONE W NINIEJSZEJ INSTRUKCJI)

Wejdź na stronę <http://support.thrustmaster.com>. Kliknij **Racing Wheels / TS-PC RACER**, a następnie wybierz **Manual** lub **FAQ**.

# ZGODNOŚĆ Z PRODUKTAMI THRUSTMASTER

## Zestawy pedałów

Podstawa TS-PC RACER jest zgodna z następującymi produktami:

- zestawami pedałów **Thrustmaster T3PA i T3PA-PRO** podłączanymi bezpośrednio do złącza zestawu pedałów **(18)**;
- urządzeniem **Thrustmaster DB9 PEDALS T.RJ12 ADAPTER**, dzięki któremu zestawy pedałów marki innej niż Thrustmaster wyposażone w złącze DB9 można podłączać do złącza zestawu pedałów **(18)**;
- **wszystkimi zestawami pedałów USB dostępnymi na rynku** (w grach obsługujących funkcję MULTI-USB i zestawy pedałów USB).

## Kierownice

Podstawa TS-PC RACER jest zgodna ze wszystkimi zdejmowanymi kierownicami Thrustmaster, w tym:

- **Ferrari 599XX EVO 30 Wheel Add-On Alcantara Edition**
- **Ferrari F1 Wheel Add-On**
- **Ferrari GTE Wheel Add-On Ferrari 458 Challenge Edition**
- **TM Leather 28 GT Wheel Add-On**
- **TM Open Wheel Add-On**
- itd.

## Skrzynie biegów

Podstawa TS-PC RACER jest zgodna z następującymi produktami:

- skrzynią biegów **Thrustmaster TH8A Shifter Add-On**, którą można podłączyć bezpośrednio do złącza skrzyni biegów TH8A **(19)**, aby uzyskać dostęp do trybu sekwencyjnego (+/-), albo do portu USB, aby uzyskać dostęp do układu H (7+1) i trybu ANALOGOWEGO / HAMULCA RĘCZNEGO;
- **wszystkimi skrzyniami biegów USB dostępnymi na rynku** (w grach obsługujących funkcję MULTI-USB i skrzynie biegów USB).

EN

FR

DE

NL

IT

ES

PT

BR

RU

EL

TR

PL

繁體中文

한국어

## INFORMACJE DOTYCZĄCE GWARANCJI DLA KLIENTA

Firma Guillemot Corporation S.A. z siedzibą pod adresem Place du Granier, B.P. 97143, 35571 Chantepie, Francja („Guillemot”) udziela klientowi obowiązującej na całym świecie gwarancji, że niniejszy produkt Thrustmaster będzie wolny od wad materiałowych i produkcyjnych przez okres gwarancji równy limitowi czasu, w którym klient może występować z roszczeniami z tytułu wad niniejszego produktu. W krajach Unii Europejskiej jest to okres dwóch (2) lat od dostarczenia produktu Thrustmaster. W innych krajach okres gwarancji jest równy limitowi czasu, w którym klient może występować z roszczeniami z tytułu wad produktu Thrustmaster zgodnie z przepisami obowiązującymi w kraju, w którym klient mieszkał w dniu zakupu produktu Thrustmaster. (Jeśli przepisy danego kraju nie przewidują występowania z takimi roszczeniami, okres gwarancji będzie wynosił jeden (1) rok od pierwotnej daty zakupu produktu Thrustmaster).

Jeśli w okresie gwarancji wystąpią objawy mogące świadczyć o wadzie produktu, należy niezwłocznie skontaktować się z działem pomocy technicznej, który wskaże dalszy sposób postępowania. W razie potwierdzenia wady produkt należy zwrócić w punkcie zakupu (lub innym miejscu wskazanym przez dział pomocy technicznej).

W ramach niniejszej gwarancji wadliwy produkt zostanie wymieniony lub przywrócony do stanu sprawności użytkowej, zgodnie z decyzją działu pomocy technicznej. Jeśli w okresie gwarancji produkt Thrustmaster zostanie poddany czynnościom mającym na celu przywrócenie go do stanu użytkowego, dowolny okres co najmniej siedmiu (7) dni, podczas których produkt nie jest użytkowany, zostanie dodany do pozostałego okresu gwarancji (okres ten liczy się od dnia, w którym klient poprosi o interwencję, lub od dnia, w którym dany produkt zostanie udostępniony celem przywrócenia do stanu użytkowego, jeśli data udostępnienia celem przywrócenia do stanu użytkowego następuje po dacie prośby o interwencję). Jeśli zezwala na to obowiązujące prawo, całkowita odpowiedzialność firmy Guillemot i jej podmiotów zależnych (łącznie z odpowiedzialnością za szkody wtórne) ogranicza się do przywrócenia do stanu użytkowego lub wymiany produktu Thrustmaster. Jeśli zezwala na to obowiązujące prawo, firma Guillemot wyłącza wszelkie gwarancje pokupności i przydatności do określonego celu.

Niniejsza gwarancja nie obowiązuje: (1) w przypadku, gdy produkt został zmodyfikowany, otwarty, zmieniony albo uszkodzony na skutek nieodpowiedniego lub nadmiernego użytkowania, niedbałości, wypadku, normalnego zużycia lub z innego powodu niezwiązanego z wadą materiałową ani produkcyjną (w tym między innymi z powodu połączenia produktu Thrustmaster z nieodpowiednim elementem, w tym w szczególności z zasilaczem, akumulatorem, ładowarką lub jakimkolwiek innym elementem niedostarczonym przez firmę Guillemot dla tego produktu); (2) w przypadku używania produktu w sposób inny niż użytek domowy, w tym do celów zawodowych lub komercyjnych (na przykład w salonach gier albo do prowadzenia szkoleń lub zawodów); (3) w razie nieprzebrzegania instrukcji podanych przez dział pomocy technicznej; (4) w odniesieniu do oprogramowania, jako że oprogramowanie to jest objęte odrębną szczegółową gwarancją; (5) w odniesieniu do materiałów eksploatacyjnych (elementów wymienianych w czasie eksploatacji produktu, na przykład baterii jednorazowych, muszli/nakładek na uszy do zestawów słuchawkowych lub słuchawek); (6) w odniesieniu do akcesoriów (na przykład kabli, pokrowców, etui, torebek, pasków na rękę); (7) w przypadku sprzedania produktu na aukcji publicznej.

Niniejsza gwarancja nie podlega przeniesieniu.

Niniejsza gwarancja nie wpływa na prawa klienta wynikające z przepisów dotyczących sprzedaży dóbr konsumenckich w kraju klienta.

### **Dodatkowe postanowienia gwarancyjne**

W okresie gwarancji firma Guillemot zasadniczo nie udostępnia jakichkolwiek części zamiennych, ponieważ jedynym podmiotem upoważnionym do otwarcia jakiegokolwiek produktu Thrustmaster i/lub przywrócenia go do stanu użytkowego jest dział pomocy technicznej (oprócz ewentualnych procedur przywracania produktu do stanu użytkowego, o wykonanie których dział pomocy technicznej może poprosić klienta przez przekazanie pisemnych instrukcji — np. ze względu na prostotę i jawność procesu przywracania do stanu użytkowego — oraz, w razie potrzeby, przez udostępnienie klientowi wymaganych części zamiennych).

Ze względu na realizowane cykle innowacji oraz konieczność zapewnienia ochrony swojej specjalistycznej wiedzy i tajemnic handlowych firma Guillemot zasadniczo nie udostępnia powiadomień dotyczących przywracania do stanu użytkowego ani części zamiennych w przypadku produktów Thrustmaster, których okres gwarancji upłynął.

### **Odpowiedzialność**

Jeśli zezwala na to obowiązujące prawo, firma Guillemot Corporation S.A. („Guillemot”) i jej podmioty zależne nie ponoszą żadnej odpowiedzialności za szkody spowodowane przez co najmniej jeden z następujących czynników: (1) modyfikację lub otwarcie produktu bądź wprowadzenie w nim zmian; (2) nieprzestrzeganie instrukcji montażu; (3) nieodpowiednie lub nadmierne użytkowanie, niedbałość, wypadek (na przykład uderzenie); (4) normalne zużycie; (5) używanie produktu w sposób inny niż użytek domowy, w tym do celów zawodowych lub komercyjnych (na przykład w salonach gier albo do prowadzenia szkoleń lub zawodów). Jeśli zezwala na to obowiązujące prawo, firma Guillemot i jej podmioty zależne nie ponoszą żadnej odpowiedzialności za szkody niezwiązane z wadą materiałową lub produkcją produktu (w tym między innymi za szkody spowodowane bezpośrednio lub pośrednio przez jakiegokolwiek oprogramowanie lub na skutek połączenia produktu Thrustmaster z nieodpowiednim elementem, w tym w szczególności z zasilaczem, akumulatorem, ładowarką lub jakimkolwiek innym elementem niedostarczonym przez firmę Guillemot dla tego produktu).

**THRUSTMASTER®**

**WSPARCIE TECHNICZNE**

<http://support.thrustmaster.com>





## PRAWA AUTORSKIE

© 2017 Guillemot Corporation S.A. Wszelkie prawa zastrzeżone. Thrustmaster® jest zastrzeżonym znakiem towarowym firmy Guillemot Corporation S.A. Wszystkie inne znaki towarowe stanowią własność odpowiednich podmiotów. Ilustracje nie są wiążące prawnie. Treść, wzory i dane techniczne przedstawione w instrukcji mogą ulec zmianie bez powiadomienia i mogą różnić się w zależności od kraju. Wyprodukowano w Chinach.

## ZALECENIE DOTYCZĄCE OCHRONY ŚRODOWISKA



\* Na terenie Unii Europejskiej: gdy okres przydatności produktu do eksploatacji dobiegnie końca, produktu nie należy pozbywać się wraz ze zwykłymi odpadami z gospodarstwa domowego, ale oddać do recyklingu w punkcie zbiórki zużytego sprzętu elektrycznego i elektronicznego. Potwierdza to symbol znajdujący się na produkcie, w instrukcji obsługi lub na opakowaniu.

Zależnie od swoich właściwości materiały zawarte w produkcie mogą nadawać się do recyklingu. Dzięki recyklingowi i innym formom utylizacji zużytych urządzeń elektrycznych i elektronicznych klient może w znacznym stopniu przyczynić się do

ochrony środowiska. Aby uzyskać informacje o najbliższych punktach zbiórki odpadów, należy skontaktować z miejscowymi władzami.

We wszystkich innych krajach: należy przestrzegać miejscowych przepisów dotyczących recyklingu sprzętu elektrycznego i elektronicznego.

Niniejsze informacje należy zachować. Kolorystyka i elementy ozdobne mogą różnić się od przedstawionych.

Przed korzystaniem z produktu należy zdjąć z niego plastikowe elementy mocujące oraz naklejki.

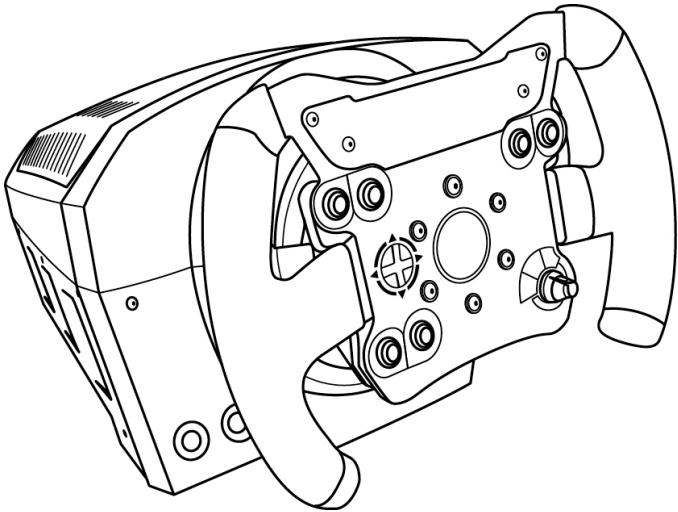
[www.thrustmaster.com](http://www.thrustmaster.com)

*\*Dotyczy wyłącznie UE i Turcji*

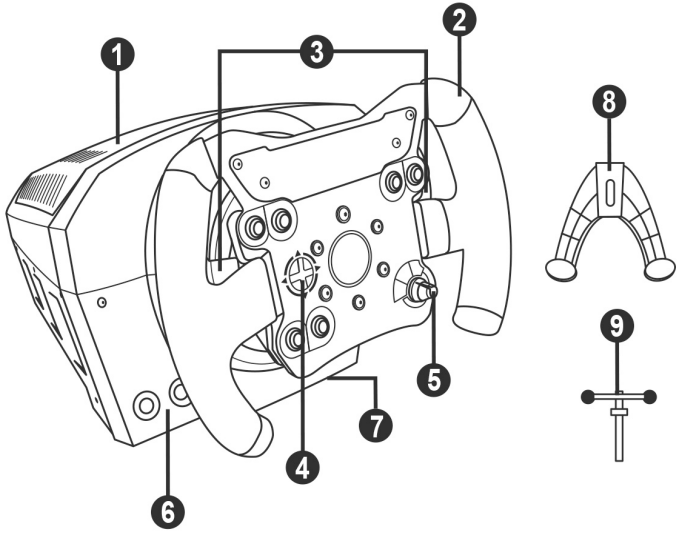


# TS-PC RACER

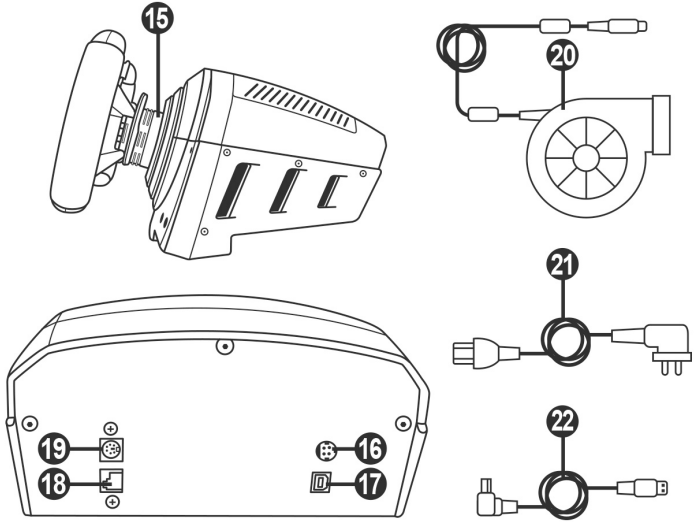
دليل المستخدم



## الميزات التقنية



- |   |                                    |   |   |
|---|------------------------------------|---|---|
| 1 | قاعدة                              | 6 | الزر MODE + ضوء مؤشر أحمر/أخضر                    |
| 2 | عجلة                               | 7 | ثقب ملولب كبير (لتوصيل الجهاز وإحكام ربط البراغي) |
| 3 | ذراعاً تبديل متعاقبان (أعلى وأسفل) | 8 | جهاز توصيل  |
| 4 | لوحة توجيه رباعية                  | 9 | برغي تثبيت معدني                                  |
| 5 | محددات دوارة بوظيفة الدفع          |   |   |



- 19 موصل لذراع TH8A (يباع  
الذراع بمفرده)  
20 مصدر طاقة TURBO POWER  
21 كبل مصدر الطاقة  
23 كبل USB قابل للإزالة

- 15 التحرير السريع Thrustmaster  
16 موصل لمصدر الطاقة من النوع  
TURBO POWER  
17 موصل لكبل USB القابل  
للإزالة  
18 موصل لمجموعة الدواسات (تباع  
مجموعة الدواسات بمفردها)

### توصيل العجلة بمخرج كهربائي: يرجى القراءة بعناية!

**⚠** "3 بيك كيكو" كثر الكفاج! TURBO POWER لا يبيع في ١٠٢٤ ني  
أي بك كيكو! تتم الإشارة إلى جهد مصدر الطاقة TURBO POWER على  
الملصق الموجود أعلى الوصلة الأثني لكبل مصدر الطاقة.

**⚠** "3 بيك كيكو" كثر الكفاج! جيه كثر الكفاج! TURBO POWER  
لا تجده TS-PC RACER. إذا كان الكيكو كوكو كوكو! على سبيل  
المثال، لا توصل مطلقاً مهائن طاقة للعجلة T500 RS بالقاعدة  
.TS-PC RACER

قبل استخدام هذا المنتج، يرجى قراءة هذا الدليل بعناية والاحتفاظ به للرجوع إليه فيما بعد.

### تحذير - صدمة كهربية



- \* احرص على تخزين المنتج في مكان جاف مع عدم تعريضه للأتربة أو أشعة الشمس.
- \* تجنب جدل الموصلات والكابلات أو سحبها.
- \* تجنب سكب أي سائل على المنتج أو موصلاته.
- \* تجنب عمل قصر في دائرة المنتج.
- \* لا تقم بفك المنتج؛ ولا تلقه في لهب ولا تعرضه لدرجات حرارة مرتفعة.
- \* لا تستخدم كابل مصدر طاقة غير المرفق مع عجلة السباق الخاصة بك.
- \* لا تستخدم كابل مصدر طاقة رئيسية في حالة تلف الكابل أو الموصلات أو شقه أو كسره.
- \* تأكد من أن كابل الطاقة الرئيسية موصل في مقيس الطاقة على النحو الصحيح، وأنه موصل على النحو الصحيح بالموصل الموجود في الجهة الخلفية من عجلة السباق.
- \* لا تفتح عجلة السباق. لا توجد أجزاء قابلة للاستبدال بواسطة المستخدم بالداخل. يجب تنفيذ أي إصلاحات عن طريق الشركة المصنعة أو ممثل معتمد أو فني مؤهل.
- \* لا تستخدم إلا أدوات التوصيل/الملحقات التي تحددها الشركة المصنعة.
- \* إذا كانت عجلة القيادة لا تعمل بشكل صحيح (تصدر أصواتًا أو حرارة أو رائحة غير عادية)، فتوقف عن استخدامها على الفور، وافصل كابل الطاقة من المنفذ وقم بفصل الكابلات الأخرى.
- \* إذا لم تكن ستستخدم عجلة القيادة لمدة طويلة، فقم بفصل مهابئ الطاقة الرئيسية من المنفذ الكهربائي.
- \* يجب أن يكون المخرج الكهربائي موجودًا بالقرب من الجهاز ويجب أن يكون متاحًا للوصول إليه بسهولة.

### فتحات الهواء



- تأكد من عدم إعاقة أي من فتحات هواء موجودة على قاعدة عجلة القيادة. للحصول على تهوية مثلى، يرجى الالتزام بالنقاط الواردة أدناه:
- \* ضع القاعدة على مسافة لا تقل عن 10 سم من أي حائط.
- \* لا تضع القاعدة في أي أماكن ضيقة.
- \* لا تغطي القاعدة.
- \* لا تسمح بترام الأتربة على فتحات التهوية.



لأسباب تتعلق بالسلامة، لا تستخدم مجموعة الدواسة بـقدم عارية أو أثناء ارتداء جوارب فقط. لا تتحمل THRUSTMASTER® أي مسؤولية في حالة وقوع إصابات ناتجة عن استخدام مجموعة الدواسة بدون حذاء.

### تحذير - الإصابات الناتجة عن قوة رد الفعل والحركات المتكررة



قد يتسبب اللعب باستخدام رد فعل قوي لعجلة توجيه في حدوث ألم في العضلات أو المفاصل. لتجنب أي مشكلات: تجنب اللعب لفترات طويلة.

- \* ادخل في فترة راحة من 10 إلى 15 دقيقة بعد كل ساعة من اللعب.
- \* إذا شعرت بأي تعب أو ألم في اليدين أو المعصمين أو الذراعين أو القدم أو الرجلين، فتوقف عن اللعب واسترح بضع ساعات قبل بدء اللعب مرة أخرى.



### تحذير – الإصابات الناتجة عن قوة رد الفعل والحركات المتكررة (تابع)

- \* إذ استمرت الأعراض أو الألم المشار إليه أعلاه عند بدء اللعب مرة أخرى، توقف عن اللعب واستشر طبيبك.
- \* تحفظ بعيدًا عن تناول أيدي الأطفال.
- \* أثناء اللعب، اترك كلتا يديك دائمًا في موضع صحيح على عجلة القيادة دون تمريرها منها بشكل كامل.
- \* أثناء اللعب، لا تضع يديك أو أصابعك أسفل الدواسات أو في أي مكان بالقرب من مجموعة الدواسات.
- \* أثناء المعايرة واللعب، لا تمرر يدك أو ذراعك من خلال الفتحات الموجودة في عجلة السباق.
- \* تأكد من تأمين قاعدة عجلة السباق على نحو صحيح، حسب التعليمات الواردة في هذا الدليل.

#### منتج ثقيل الوزن



منتج يستخدم بواسطة مستخدمين لا يقل سنهم عن 16 عامًا



احرص على عدم إسقاط المنتج على نفسك أو على غيرك!

دائمًا



## تثبيت عجلة سباق على قاعدتها

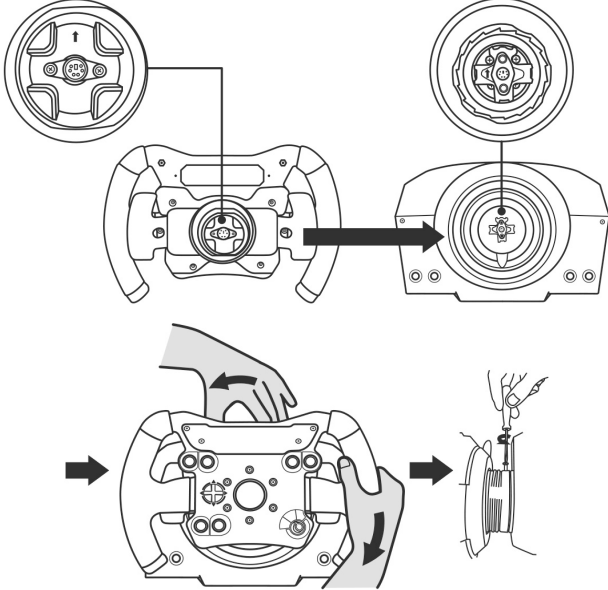
قم بمحاذاة مواقع الموصل باستخدام الأسهم:

موصل القاعدة (1): سهم يشير لأعلى

موصل عجلة السباق (2): سهم يشير لأعلى

بمجرد تحديد موضع الموصلات بنجاح، قم بتدوير حلقة الجهاز (15) Thrustmaster Quick Release عكس اتجاه عقارب الساعة، مع تثبيت عجلة السباق (2) في موضعها.

ثم قم بربط الحلقة إلى أقصى مدى ممكن: للقيام بذلك، قم بتثبيت الحلقة في موضعها و قم بتدوير عجلة السباق في اتجاه عقارب الساعة.



بمجرد تركيب عجلة السباق، قم بتدويرها 180 درجة (عندما تكون في مواجهة العجلة، يجب أن ينقلب شعار TM رأساً على عقب) للوصول إلى برغي التركيب الصغير الذي يوجد على حلقة الجهاز Thrustmaster Quick Release (15). استخدم مفك Phillips كبير لربط برغي التركيب الصغير (لا تستخدم قوة مفرطة)، ويكون الربط في اتجاه عقارب الساعة.



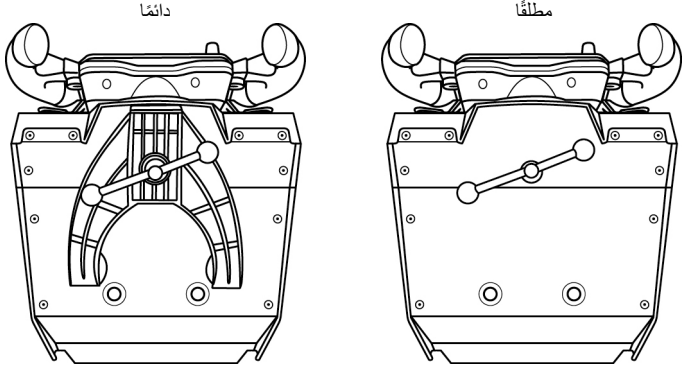
لا تستخدم قوة مفرطة عند ربط برغي التركيب الصغير باستخدام مفك Phillips، توقف عن تدوير البرغي بمجرد أن تشعر بشيء من المقاومة.

### تركيب قاعدة عجلة السباق في مقصورة

1. ضع قاعدة عجلة السباق على رف المقصورة.
2. أدخل برغيين M6 (غير مضمنين) من خلال رف المقصورة، ثم أدخلهما في سني اللولب الصغيرين الموجودين أسفل عجلة السباق.
3. مهم يجب ألا يتجاوز طول البرغيين M6 سمك الرف + 12 مم؛ فقد يؤدي استخدام براغي أطول إلى حدوث تلف في المكونات الداخلية الموجودة في قاعدة عجلة السباق.
3. إذا لزم الأمر، قم بربط أداة التركيب القياسية عن طريق إدخال برغي التثبيت في الثقب الكبير الملولب.

### تركيب عجلة السباق على طاولة أو سطح مكتب

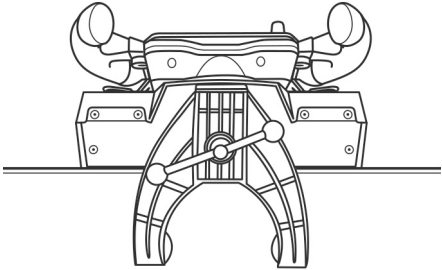
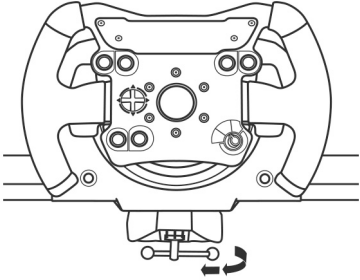
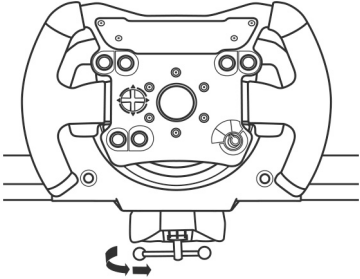
1. ضع عجلة السباق على طاولة أو أي سطح آخر أفقي ومستوي ومتمرن.
2. أدخل برغي التثبيت (9) في أداة الربط (8) ثم قم بإحكام الجهاز عن طريق تدوير البرغي في عكس اتجاه عقارب الساعة، بحيث يدخل في الثقب الكبير الملولب (7) الموجود أسفل عجلة السباق، حتى تستقر العجلة تمامًا.



#### تحذير:

- لا تقم مطلقًا بربط البرغي بمفرده، دون أداة الربط (قد يؤدي ذلك إلى تلف عجلة القيادة).



الاتجاه	التركيب/ الإزالة
 	<p><b>للربط:</b></p> <p>قم بتدوير البرغي عكس اتجاه عقارب الساعة</p>
	<p><b>للفك:</b></p> <p>قم بتدوير البرغي في اتجاه عقارب الساعة</p>

## تثبيت عجلة السباق على كمبيوتر شخصي

1. تفضل زيارة الموقع الإلكتروني <http://support.thrustmaster.com> لتنزيل برامج التشغيل وبرنامج قوة رد الفعل على جهاز الكمبيوتر الشخصي لديك. انقر فوق عجلات السباق / TS-PC RACER، ثم حدد برامج التشغيل (Drivers).
2. بمجرد اكتمال التنزيل، ابدأ عملية التثبيت، واتبع التعليمات المعروضة على الشاشة لتوصيل كبل USB للعجلة بالكمبيوتر وأكمل التثبيت.
3. بمجرد الانتهاء من التثبيت، انقر فوق انتهاء (Finish) وأعد تشغيل الكمبيوتر.
4. حدد ابدأ (Start) / كافة البرامج (All Programs) / Thrustmaster / عجلة سباق FFB / لوحة التحكم (Control Panel) لفتح نافذة جهاز التحكم في اللعبة.
- تعرض نافذة جهاز التحكم في اللعبة (Game Controllers) اسم عجلة القيادة Thrustmaster TS-PC RACER بالحالة "جيد" (OK).
5. انقر على "خصائص" (Properties) لضبط إعدادات عجلتك في لوحة تحكم TS-PC RACER:
  - علامة تبويب اختبار المدخلات (Test Input): تسمح باختبار وعرض أزرار التفعيل، وأزرار الاتجاهات، محاور العجلة والدواسات، وضبط زاوية دوران العجلة للألعاب التي على جهازك.
  - علامة تبويب اختبار القوى (Test Forces): تسمح باختبار 12 تأثيرًا لقوة رد الفعل.
  - علامة تبويب الحصول على الإعدادات (Gain Settings): تسمح بضبط قوة تأثير قوة رد فعل الألعاب التي على جهازك.

أنت الآن جاهز للعب!

### ملاحظات عامة:

- على جهاز الكمبيوتر، انقر على "موافق" (OK) لإغلاق نافذة جهاز التحكم في اللعبة (Game Controllers) قبل فتح اللعبة.
- يتم عرض إصدار البرنامج الثابت لعجلة السباق الخاصة بك في أعلى الزاوية العليا اليمنى من أشرطة لوحة التحكم.

### ترقية البرنامج الثابت لعجلة السباق الخاصة بك

يمكن ترقية البرنامج الثابت المضمن في قاعدة عجلة السباق الخاصة بك إلى إصدار أحدث يوفر تحسينات للمنتج.

لعرض إصدار البرنامج الثابت الموجود على عجلة السباق الخاصة بك حاليًا وتحديثه إذا لزم الأمر: على الكمبيوتر، تفضل زيارة الموقع <http://support.thrustmaster.com>. انقر فوق عجلات السباق ( Racing Wheels) < TS-PC RACER، ثم حدد البرنامج الثابت (Firmware) واتبع التعليمات التي تصف إجراء التنزيل والتثبيت.

## المعايرة التلقائية لعجلة السباق

تعمل عجلة السباق على إجراء معايرة ذاتية تلقائيًا عند توصيل عجلة السباق بقباس الكهرباء وموصل USB لعجلة السباق.  
خلال هذه المرحلة، ستدور عجلة السباق بسرعة باتجاه اليمين واليسار، مع تغطية زاوية 1080 درجة قبل التوقف في المنتصف.



**تحذير:**

لا تقم مطلقًا بلمس عجلة السباق أثناء مرحلة المعايرة الذاتية!  
قد يتسبب ذلك في إجراء معايرة غير صحيحة و/أو إصابات شخصية).

إذا لم تعمل عجلة السباق ومجموعة الدواسة بشكل صحيح، أو إذا بدا أن المعايرة غير صحيحة:  
قم بإيقاف تشغيل جهاز الكمبيوتر الخاص بك، وقم بفصل عجلة السباق بالكامل. وقم بإعادة توصيل كل الكابلات (بما في ذلك كابل مصدر الطاقة الرئيسية ومجموعة الدواسة)، ثم قم بإعادة تشغيل جهاز الكمبيوتر واللعبة الخاصة بك..

## نظام التبريد الداخلي لقاعدة العجلة

- نظام التبريد الداخلي لقاعدة العجلة
- يبدأ العمل عند تشغيل العجلة.
- يتوقف عن العمل بعد مرور بضعة دقائق من عدم التفعيل عندما تنخفض درجة الحرارة الداخلية.
- يعمل مجددًا عندما تستخدم العجلة.

## زر MODE ومصباح المؤشر (6)

### زر MODE لمجموعة الدواسة

يمكنك التبديل الإلكتروني لدواسة السرعة والقابض إذا كنت تستخدم مجموعة دواسات Thrustmaster T3PA، T3PA- PRO متصلة بموصل مجموعة الدواسات (18).  
للقيام بذلك، ما عليك إلا الضغط على الزر (6) MODE لمدة ثانيتين.  
تعمل الذاكرة الداخلية لعجلة السباق على تخزين ما إذا كان يتم التبديل بين الدواسات أم لا.

لون مصباح مؤشر MODE (6)	دواستي الغاز والقابض
أحمر	عادي
أخضر	إمكانية التبديل

## تلميحات أخرى حول الزر MODE

لمعرفة المزيد حول زر MODE ومصباح المؤشر، يرجى الانتقال إلى <http://support.thrustmaster.com>. انقر فوق عجلات السباق (Racing Wheels) < TS-PC RACER، ثم حدد الدليل (Manual) أو الأسئلة الشائعة (FAQ).

## ملفات التعليمات والأسئلة الشائعة (لم يتم تضمينها في هذا الدليل)

تفضل بزيارة الموقع <http://support.thrustmaster.com>. انقر فوق عجلات السباق (Racing Wheels) < TS-PC RACER، ثم حدد الدليل (Manual) أو الأسئلة الشائعة (FAQ).

## التوافق مع النظام البيئي لجهاز THRUSTMASTER

### مجموعة الدواسات

تتوافق قاعدة TS-PC RACER مع:

- مجموعة دواسات Thrustmaster T3PA و T3PA-PRO التي تتصل مباشرة مع موصل مجموعة الدواسات (18).
- دواسات Thrustmaster DB9 وصلة T.RJ12 التي تمكن مجموعة الدواسات غير التابعة لجهاز Thrustmaster والتي يتوفر بها موصل DB9 لتوصيل الموصل بمجموعة الدواسات (18).
- جميع مجموعات دواسات USB المتوفرة في الأسواق (في الألعاب التي تدعم مجموعة دواسات MULTI-USB و USB)

### العجلات

تتوافق قاعدة TS-PC RACER مع كل عجلات Thrustmaster القابلة للتوصيل، بما في ذلك:

- عجلة Ferrari 599XX EVO 30 الإضافية، إصدار القنطرة
- عجلة Ferrari F1 الإضافية
- عجلة Ferrari GTE الإضافية وإصدار التحدي من عجلة Ferrari 458
- عجلة TM Leather 28 GT الإضافية
- عجلة TM Open الإضافية
- وهكذا.

### أذرع التبديل

تتوافق قاعدة TS-PC RACER مع:

- ذراع تبديل Thrustmaster TH8A Shifter الإضافي الذي يتصل مباشرة مع موصل ذراع التبديل (19) TH8A الخاص بالنموذج "المتعاقب (+/-)"، أو منفذ USB الخاص "بنمط H-(7+1)" وأنظمة المكابح اليدوية / القياسية.
- جميع أذرع تبديل USB متوفرة في الأسواق (في الألعاب التي تدعم أذرع تبديل MULTI-USB و USB).

\* ذراع تبديل السرعة الخاص بي لا يعمل بشكل صحيح، أو يبدو أنه قد تمت معايرته على نحو خاطئ:

- قم بإيقاف تشغيل الكمبيوتر أو الوحدة الرئيسية وافصل ذراع تبديل السرعة ثم أعد توصيله وأعد تشغيل اللعبة.

- في اللعبة، أسفل "خيارات/وحدة التحكم"، حدد التكوين الأكثر ملاءمة أو قم بإعداده.

- راجع دليل مستخدم اللعبة أو التعليمات المتوفرة على الإنترنت للحصول على مزيد من المعلومات.

- تتوفر العديد من موضوعات التعليمات والتلميحات (غير المضمنة في هذا الدليل) على موقع ويب <http://support.thrustmaster.com>، أسفل **Technical Support** (الدعم الفني).

### الدعم الفني

إذا واجهت مشكلة مع المنتج الخاص بك، فيرجى الانتقال إلى <http://support.thrustmaster.com> وتحديد اللغة. فمن هناك ستتمكن من الوصول إلى الأدوات المساعدة المتنوعة (الأسئلة الشائعة، أحدث إصدارات برامج التشغيل والبرامج) التي قد تساعدك في حل مشكلتك. إذا استمرت المشكلة، فيمكنك الاتصال بخدمة الدعم الفني لمنتجات Thrustmaster ("الدعم الفني"):

عن طريق البريد الإلكتروني:

الوصول إلى الدعم الفني الخاص بنا عبر البريد الإلكتروني، يجب أن تقوم أولاً بالتسجيل عبر الإنترنت على موقع ويب <http://support.thrustmaster.com>. حيث ستساعد المعلومات التي ستقدمها الفنيين في حل مشكلتك في أسرع وقت ممكن.

انقر فوق **Product Registration** (تسجيل المنتج) واتبع التعليمات المعروضة على الشاشة. إذا قمت بتسجيل المنتج بالفعل، فيرجى إدخال معلومات المستخدم في الحقول **Username** (اسم المستخدم) و **Password** (كلمة المرور) ثم انقر فوق **Login** (تسجيل الدخول).

### معلومات ضمان المستهلك

تضمن شركة Guillemot Corporation S.A، العالمية (المشار إليها فيما بعد باسم "Guillemot") ومقرها الرئيسي في Place du Granier, B.P. 97143, 35571 Chantepie, France، للمستهلك أن يكون منتج Thrustmaster هذا خالياً من عيوب المواد و عيوب التصنيع، طوال مدة فترة الضمان التي تتوافق مع الفترة المحددة التي يمكن خلالها المطالبة بالمطابقة لاسترداد قيمة هذا المنتج أو استبداله. في دول الاتحاد الأوروبي، يسري هذا لمدة (2) عامين من تاريخ استلام المنتج Thrustmaster. وفي دول أخرى، تتوافق فترة الضمان مع الفترة المحددة للمطالبة بمطابقة المنتج Thrustmaster وفقاً للقوانين المعمول بها في الدولة التي كان يقطن بها المستهلك عند تاريخ شراء المنتج Thrustmaster (في حالة عدم المطالبة في الدولة المعنية، ستكون فترة الضمان عام (1) واحد من تاريخ الشراء الأصلي للمنتج Thrustmaster). وإذا ظهر أن المنتج معيباً خلال فترة الضمان، فاتصل على الفور بالدعم الفني الذي سيرشدك إلى الإجراءات التي يجب أن تتبناها. وإذا تم التأكد من وجود العيب، فيجب إعادة المنتج إلى مكان شرائه (أو أي موقع آخر يشير إليه الدعم الفني).

وفي سياق هذا الضمان، يجب استبدال المنتج المعيب الخاص بالمستهلك أو إصلاحه، وذلك حسب اختيار الدعم الفني. إذا خضع منتج Thrustmaster، في خلال فترة الضمان، لأي عملية إصلاح، فإن أي فترة يكون المنتج خلالها خارج الخدمة ويحد أدنى سبعة (7) أيام سوف تضاف إلى فترة الضمان المتبقية (تبدأ هذه الفترة من تاريخ طلب العميل للتدخل أو من تاريخ تقديم المنتج المذكور للإصلاح، إذا كان تاريخ تقديم المنتج للإصلاح لاحقاً لتاريخ طلب التدخل). تقتصر المسؤولية الكاملة لشركة Guillemot وفروعها (بما في ذلك الأضرار التبعية) على إصلاح المنتج Thrustmaster أو استبداله، وذلك عندما يكون هذا جائزاً بموجب القانون الساري. تخلي شركة Guillemot مسؤوليتها عن أي ضمانات خاصة بالتجارة أو الملاءمة لغرض معين، وذلك عندما يكون هذا جائزاً بموجب القانون الساري.

لا يسري هذا الضمان: (1) إذا تم تعديل المنتج أو فتحه أو تغييره أو إذا تعرض للتلف نتيجةً للاستخدام السيئ أو غير الملائم أو الإهمال أو حادث أو الإهلاك نتيجة الاستعمال العادي، أو أي سبب آخر لا يرتبط بوجود

عيب في المواد أو التصنيع (بما في ذلك، على سبيل المثال لا الحصر، تجميع منتج Thrustmaster بواسطة أي عنصر غير مناسب، بما في ذلك على وجه الخصوص وحدات الإمداد بالطاقة أو البطاريات القابلة لإعادة الشحن أو الشواحن أو أي عناصر أخرى لا يتم توريدها من خلال Guillemot لهذا المنتج)؛ (2) إذا استخدم المنتج لأي غرض آخر بخلاف الاستخدام المنزلي، بما في ذلك الأغراض المهنية أو التجارية (غرف الألعاب أو التدريب أو المسابقات على سبيل المثال)؛ (3) في حالة عدم الالتزام بالتعليمات المقدمة من قبل الدعم الفني؛ (4) على البرامج، حيث تخضع هذه البرامج لضمان محدد؛ (5) على العناصر الاستهلاكية (العناصر التي يتم استهلاكها خلال فترة عمر المنتج: كالبطاريات غير القابلة لإعادة الاستخدام أو سماعات الرأس أو وسادات الأذن الخاصة بسماعة الرأس)؛ (6) الملحقات (كالكبلات والعلب والحافظات والحقائب وأربطة المعصم)؛ (7) إذا تم بيع المنتج في مزاد علني.

هذا الضمان غير قابل للتحويل.

لا يؤثر هذا الضمان على الحقوق القانونية للمستهلك بمقتضى القوانين المطبقة على بيع السلع الاستهلاكية في بلده/بلدها.

## شروط الضمان الأخرى

خلال فترة الضمان، لن توفر Guillemot، من حيث المبدأ، أي قطع غيار، حيث أن الدعم الفني هو الطرف الوحيد المخول بفتح و/أو إصلاح أي منتج من Thrustmaster (باستثناء أي إجراءات إصلاح يطلب الدعم الفني إجراؤها بواسطة العميل، عن طريق تعليمات مكتوبة – على سبيل المثال، نظرًا لبساطة عملة الإصلاح وعدم سربيتها – وتزويد العميل بقطعة (قطع) الغيار المطلوبة، حيثما أمكن ذلك.

لمقتضى المجالات الإبداعية ولحماية أسرار المعرفة الفنية والأسرار التجارية، لن توفر Guillemot، من حيث المبدأ، أي إشعارات للإصلاح أو قطع غيار لأي منتج Thrustmaster انتهت فترة الضمان الخاصة به.

## المسؤولية

تخلي شركة Guillemot Corporation S.A. (المشار إليها فيما بعد باسم "Guillemot") وفروعها مسؤوليتهما كاملة عن أي أضرار تنتج عن حالة أو أكثر من الحالات التالية، إذا كان هذا جائزًا بموجب القانون الساري: (1) تعديل المنتج أو فتحه أو تغييره؛ (2) عدم الالتزام بتعليمات المجموعة؛ (3) الاستخدام السيئ أو غير الملائم أو الإهمال أو التعرض لحادث (تصادم، على سبيل المثال)؛ (4) الإهلاك الناتج عن الاستعمال العادي؛ (5) إذا استخدم المنتج لأي غرض آخر بخلاف الاستخدام المنزلي، بما في ذلك الأغراض المهنية أو التجارية (غرف الألعاب أو التدريب أو المسابقات على سبيل المثال). تخلي شركة Guillemot وفروعها كافة مسؤوليتهما عن أي أضرار لا ترتبط ببيع في المواد أو التصنيع يتعلّق بالمنتج (متضمنًا، على سبيل المثال لا الحصر، أي أضرار تحدث بشكل مباشر أو غير مباشر بسبب أي برنامج أو عن طريق دمج منتج Thrustmaster مع أي عنصر غير مناسب، بما في ذلك على وجه الخصوص وحدات الإمداد بالطاقة أو البطاريات القابلة لإعادة الشحن أو الشواحن أو أي عناصر أخرى لا يتم توريدها من خلال Guillemot لهذا المنتج)، إذا كان هذا جائزًا بموجب القانون الساري.

## حقوق النشر

© 2017 Guillemot Corporation S.A. - كافة الحقوق محفوظة. العلامة® Thrustmaster هي علامة تجارية مسجلة لشركة Guillemot Corporation S.A. كافة العلامات التجارية الأخرى مملوكة لأصحابها المعنيين. الرسوم التوضيحية غير ملزمة. وتخضع المحتويات والتصميمات والمواصفات للتغيير دون إشعار وقد تختلف من بلد إلى آخر. صنع في الصين.

## توصيات الحماية البيئية

في الاتحاد الأوروبي: عند انتهاء صلاحية المنتج، يجب عدم التخلص منه مع النفايات المنزلية العادية، لكن يوضع في نقطة تجميع خاصة بالتخلص من نفايات المعدات الكهربائية والإلكترونية (WEEE).



ويؤكد ذلك الرمز الموجود على المنتج أو دليل المستخدم أو الغلاف. يمكن إعادة تدوير المواد، على حسب خصائصها. من خلال إعادة التدوير والأشكال الأخرى لمعالجة نفايات المعدات الكهربائية والإلكترونية، يمكنك المشاركة بفعالية في المساعدة على حماية البيئة.

يرجى الاتصال بالسلطات المحلية لديك للحصول على معلومات حول نقطة التجميع الأقرب إليك. بالنسبة لكافة البلدان الأخرى: يرجى الالتزام بقوانين إعادة التدوير المحلية الخاصة بالمعدات الكهربائية والإلكترونية.

احتفظ بهذه المعلومات. قد تختلف الألوان والزخارف. يجب إزالة المواد المثبتة واللاصقة من المنتج قبل استخدامه.

[www.thrustmaster.com](http://www.thrustmaster.com)

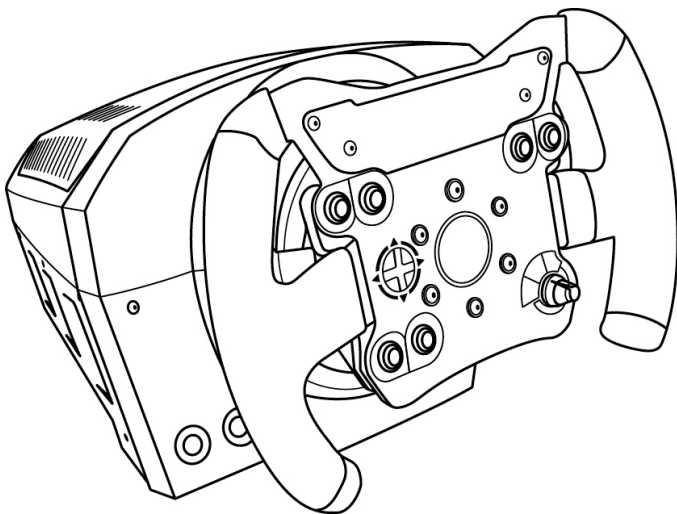
\*ينطبق على الاتحاد الأوروبي وتركيا فقط

CE\*



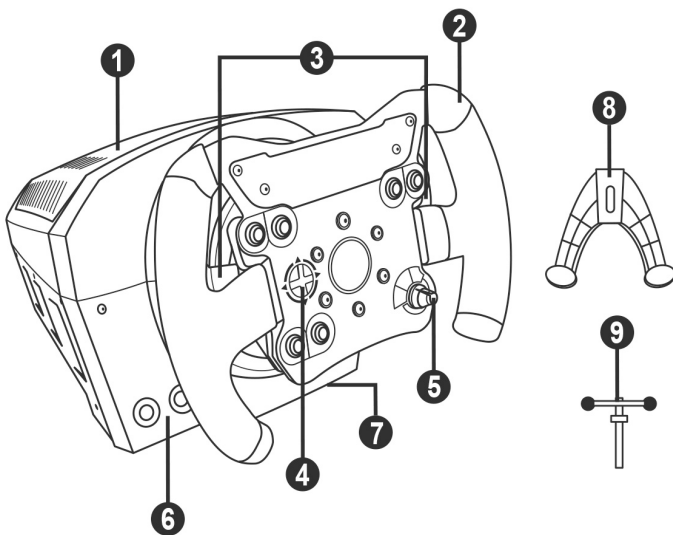
# TS-PC RACER

使用說明書

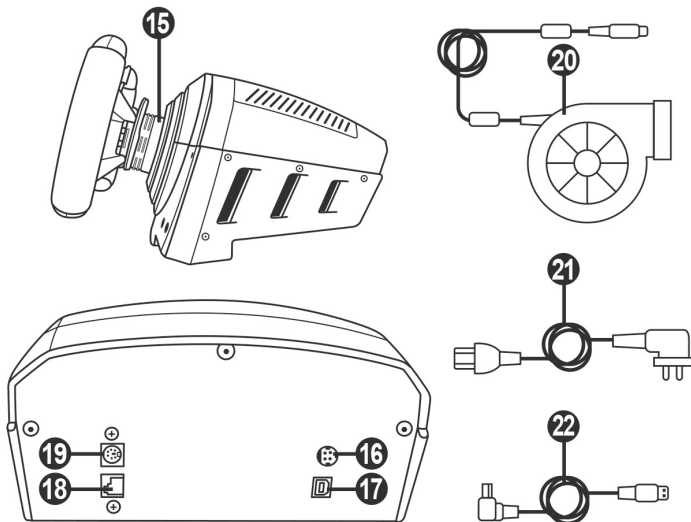




## 技術特點



- |                    |                       |
|--------------------|-----------------------|
| 1 底座               | 6 MODE 按鈕 + 紅色/綠色指示燈  |
| 2 方向盤              | 7 大螺紋孔（用於安裝固定系統和緊固螺絲） |
| 3 2個序列式換檔撥片（向上和向下） | 8 固定系統                |
| 4 方向鍵              | 9 金屬緊固螺絲              |
| 5 帶有推按式按鈕的旋鈕       |                       |



- |                             |                         |
|-----------------------------|-------------------------|
| 15 Thrustmaster (圖馬思特) 快拆系統 | 19 TH8A 變速器接頭 (變速器單獨銷售) |
| 16 TURBO POWER 電源接頭         | 20 TURBO POWER 電源       |
| 17 可拆卸 USB 電纜接頭             | 21 電源線                  |
| 18 踏板組接頭 (踏板組單獨銷售)          | 22 可拆卸 USB 電纜           |

**將方向盤插接到電氣插座上：  
請仔細閱讀以下警告！**



**切勿將 TURBO POWER 插接到不同電壓的電氣插座上！** TURBO POWER 電源線母接頭上的標籤上標示有電源的電壓。



**切勿將 TURBO POWER 電源之外的其他電源連接到 TS-PC RACER 底座，即使其接頭相容！** 例如，切勿將 T500 RS 方向盤的電源配接器連接到 TS-PC RACER 底座。

## 警告

使用本產品前，請仔細閱讀本手冊，並將其保存以供日後參考。



### 注意 - 慎防觸電

- \* 請將本產品存放於乾燥通風處，切勿暴露在灰塵或日光下。
- \* 請勿捲曲或拉扯接頭及電源線。
- \* 請勿讓任何液體濺到本產品或其接頭上。
- \* 請勿讓本產品發生短路。
- \* 切勿拆卸本產品；請勿將產品擲入火中或暴露在高溫環境下。
- \* 請勿使用其他非賽車方向盤隨附的電源線。
- \* 電源線或接頭如有損壞、斷裂或破損時，請勿使用。
- \* 請確保電源線的插頭已正確插入電源插座，並與賽車方向盤背面的底座正確連接。
- \* 請勿打開賽車方向盤：內裏零件並不提供保養服務。如有任何問題，請交由製造商、授權代理商或技術人員進行維修。
- \* 請只使用製造商指定的固定裝置/配件。
- \* 如方向盤運作出現異常（如發出異常聲音、發熱或有異味時），請立即停止使用，並從電源插座拔除電源線及其他連接線。
- \* 長時間不使用方向盤時，請將電源線的插頭從電源插座拔出。
- \* 使用中之電線切勿纏繞、重壓或貼近潮濕、高熱環境；移除電線插頭時，應手握插頭拔除，避免以拉扯電線之方式拔除，致造成內部銅線斷裂；請時常清除插頭、插座外部累積之灰塵，以避免積污導電，影響安全。
- \* 非專業技術維修人員，不得自行拆解、改裝電線，以免發生危險。
- \* 電氣插座必須位於設備附近，且必須方便插拔電源線。



### 通風口

請勿堵塞賽車方向盤底座的通風口。為確保最佳的通風，請遵循以下指示：

- \* 請將方向盤底座與牆壁保持 10 cm 以上的距離。
- \* 請勿將底座置於狹窄處。
- \* 請勿以任何物品覆蓋底座。
- \* 請勿讓灰塵在通風口堆積。



**為確保安全，請勿在赤腳或僅穿襪子時使用腳踏板組。**

**使用腳踏板組時若因未穿鞋而導致受傷，Thrustmaster® (圖馬思特) 概不負責。**



### **注意 - 因力回饋及重複動作而可能造成的損傷**

使用力回饋賽車方向盤可能會導致肌肉或關節疼痛。為免造成損傷：

- \* 避免長時間遊玩。
- \* 每玩一小時請至少休息 10 至 15 分鐘。
- \* 若雙手、手腕、手臂、雙腳或腿部感到疲勞或疼痛，請停止遊玩，並休息幾小時後才繼續遊玩。
- \* 若再次遊玩時仍有上述症狀或疼痛，請停止遊玩，並求醫診治。
- \* 請放在小孩無法觸及的地方。
- \* 遊玩期間請將雙手放在方向盤的正確位置，避免方向盤隨意轉動。
- \* 遊玩期間請勿將雙手或手指伸往腳踏板之下或腳踏板組附近。
- \* 在校準及遊玩期間，請勿將手或手臂穿過方向盤。
- \* 請確保賽車方向盤底座已按照用戶手冊的指示正確安裝。



使用者需年滿 16 歲

### **重物**



小心別讓本產品掉落至您或任何人身上！

### **保持**



## 將方向盤安裝至底座

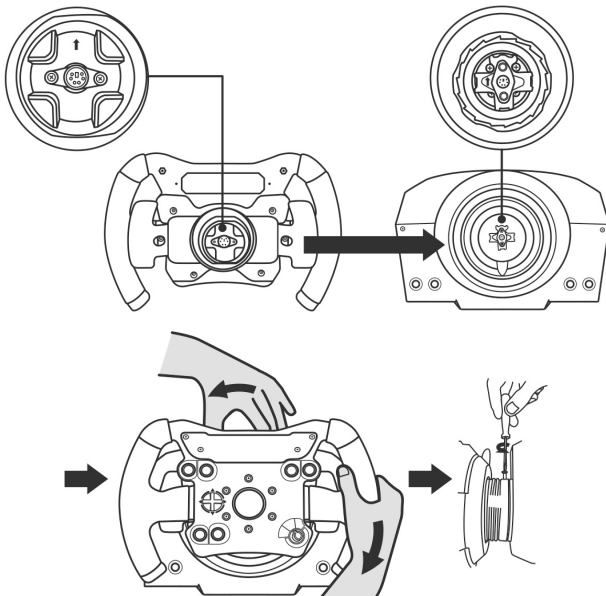
依照箭頭方向對準接頭位置：

**底座 (1) 接頭：**箭頭方向往上

**賽車方向盤 (2) 接頭：**箭頭方向往上

接頭插入正確位置後，將賽車方向盤 (2) 固定在適當位置，並逆時針旋轉圖馬思特快速拆卸裝置 (15) 的裝置環。

然後，盡可能擰緊裝置環：將裝置環固定在適當位置，並順時針旋轉賽車方向盤。



方向盤安裝完畢後，將其旋轉 180° ( 面朝方向盤時，TM 標誌為顛倒狀態 )，會見到圖馬思特快速拆卸裝置 (15) 裝置環上的小型安裝螺絲。使用大型十字螺絲起子以順時針方向來擰緊小型安裝螺絲 ( 請勿過度用力 )。



**擰緊小型安裝螺絲時，請勿過度用力 ( 使用大型十字螺絲起子 ) ！**

**感到有阻力時，請停止轉動螺絲。**

## 安裝賽車方向盤

### 安裝賽車方向盤底座至駕駛座

1. 將賽車方向盤底座置於駕駛座框架上。
2. 將 2 顆 M6 螺絲 (不隨附) 穿過駕駛座框架, 並擰進腳踏板組底部的 2 個小螺絲孔。

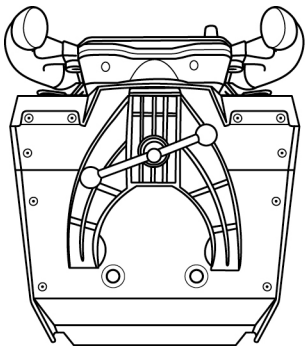
重要說明 : 2 顆 M6 螺絲的長度不能超出框架厚度 + 12 mm, 螺絲過長可能會造成腳踏板組內部的零件損壞。

3. 必要時可將固定螺桿插入螺絲孔來擰緊固定裝置。

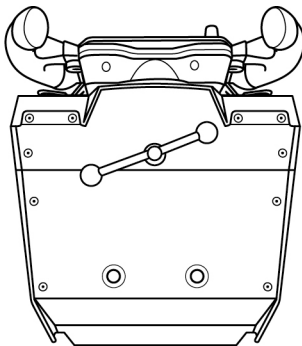
### 將賽車方向盤固定在桌面上

1. 將賽車方向盤置於餐桌或其他保持水平、平坦且穩定的平面上。
2. 將固定螺桿 (9) 插入固定裝置 (8), 然後以逆時針方向將螺桿擰入賽車方向盤下方的大螺孔 (7), 直至方向盤完全固定為止。

保持

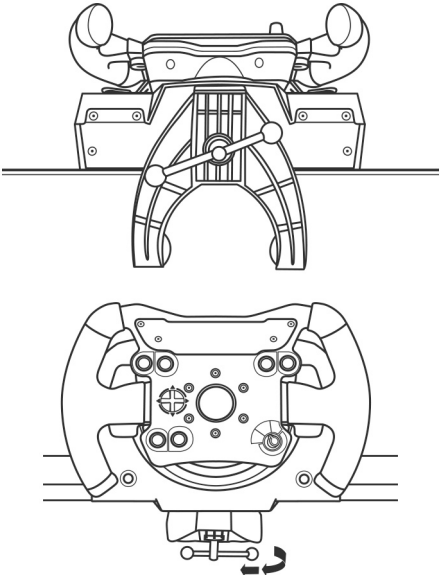
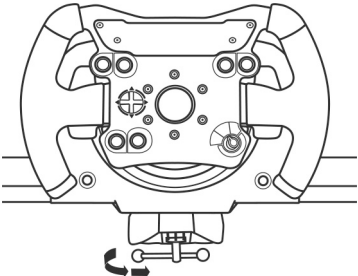


禁止



#### 警告 :

- 切勿在裝置固定完畢前擰緊螺桿 ! ( 以免賽車方向盤損壞 ) 。

組裝/拆卸	方向
<p><b>擰緊：</b></p> <p>以逆時針方向轉入</p>	
<p><b>鬆開：</b></p> <p>以順時針方向轉出</p>	

## 針對 PC 設置方向盤

1.前往 <http://support.thrustmaster.com> 下載適用於 PC 的驅動程式和力回饋軟體。按一下 Racing Wheels（方向盤）/ TS-PC RACER，然後選擇 Drivers（驅動程式）。

2.下載完成後，啟動安裝程式，然後按照螢幕上的說明，將方向盤的 USB 接頭連接到電腦並完成安裝。

3.安裝完成後，按一下「完成」並重新開機。

4.選擇「開始」/「所有程式」/ Thrustmaster /「FFB 方向盤」/「控制台」，以打開「遊戲控制器」視窗。

「遊戲控制器」視窗將顯示方向盤的名稱 Thrustmaster TS-PC RACER，並且狀態為「正常」。

5.按一下「內容」，在 TS-PC RACER 控制台中配置您的方向盤：

- 「測試輸入」分頁：可用於測試和檢視動作按鈕、方向按鈕、方向盤和踏板軸，還可調節方向盤在 PC 遊戲中的旋轉角度。
- 「測試力回饋」分頁：可用於測試 12 種力回饋效果。
- 「增益設置」分頁：可用於調節力回饋在您的 PC 遊戲中的作用大小。

**現在即可開始玩遊戲了！**

一般說明：

- 在 PC 上，按一下「確定」，關閉「遊戲控制器」視窗，再開始啟動遊戲。
- 您的方向盤固件版本將顯示在控制台分頁的右上角。

## 更新賽車方向盤的韌體

將賽車方向盤底座的韌體更新為最新版本，可以改善產品性能。

若要確認所使用的賽車方向盤目前的韌體版本，並進行更新：請使用個人電腦前往 <http://support.thrustmaster.com>。在「方向盤/ TS-PC RACER」，並選擇「韌體」，然後遵循指示進行下載及安裝程序。



## 自動校準方向盤

將此方向盤插接到電氣插座並連線方向盤的 USB 接頭之後，即可自動執行方向盤自校準。在自校準過程中，方向盤將快速地左右各旋轉 1080 度，然後在中心位置停下。



**警告：**

**切勿在自校準過程中觸摸方向盤！**  
(這可能導致校準不正確和/或人員受傷。)

**如果您的方向盤運行不正常，或可能校準不當：**

關閉 PC 並完全斷開方向盤。然後重新連線所有電纜（包括電源線和踏板組電纜），重新開啟主機和遊戲。

## 方向盤底座內建散熱系統

方向盤底座內建散熱系統

- 在方向盤通電時開始工作。
- 在閒置幾分鐘後，當內部溫度下降到設定的低溫水準時，將會自動關閉。
- 當您使用方向盤時將會再次自動打開。

## MODE 按鈕和指示燈 (6)

### 踏板組的 MODE 按鈕

如果您將 Thrustmaster（圖馬思特）T3PA 或 T3PA-PRO 踏板組連線到踏板組接頭 (18) 上，您可以電子方式切換油門和離合器踏板。

要切換踏板，只需按住 MODE 按鈕 (6) 兩秒鐘即可。

方向盤的記憶體會儲存是否已切換踏板的資訊。

油門和離合器踏板	MODE 指示燈 (6) 的顏色
正常	紅色
已切換	綠色

### 關於 MODE 按鈕的其他資訊

要瞭解有關 MODE 按鈕和指示燈的更多資訊，請瀏覽 <http://support.thrustmaster.com>。按一下 Racing Wheels（方向盤）/ TS-PC RACER，然後選擇 Manual（手冊）或 FAQ（常見問題解答）。

### 說明檔案和常見問題解答（本手冊中未提供）

請瀏覽 <http://support.thrustmaster.com>。按一下 Racing Wheels（方向盤）/ TS-PC RACER，然後選擇 Manual（手冊）或 FAQ（常見問題解答）。

## 相容 Thrustmaster (圖馬思特) 生態系統

### 踏板組

TS-PC RACER 底座相容以下附件：

- 直接連線到踏板組接頭 (18) 的 Thrustmaster (圖馬思特) T3PA 和 T3PA-PRO 踏板組。
- Thrustmaster (圖馬思特) DB9 PEDALS T.RJ12 配接器，可允許配備 DB9 接頭的非 Thrustmaster (圖馬思特) 踏板組連線到踏板組接頭 (18)。
- 市場上所有 USB 踏板組 (在支援多 USB 和 USB 踏板組的遊戲中)。

### 方向盤

TS-PC RACER 底座相容所有 Thrustmaster (圖馬思特) 可拆卸方向盤，包括：

- Ferrari 599XX EVO 30 Wheel Add-On Alcantara Edition
- Ferrari F1 Wheel Add-On
- Ferrari GTE Wheel Add-On Ferrari 458 Challenge Edition
- TM Leather 28 GT Wheel Add-On
- TM Open Wheel Add-On
- 等等。

### 變速器

TS-PC RACER 底座相容以下附件：

- 直接連線到 TH8A 變速器接頭 (19) 的 Thrustmaster (圖馬思特) TH8A Shifter Add-On (用於「序列式 (+/-)」模式)，或連線到 USB 埠 (用於「H 模式 (7+1)」和類比/手刹模式)。
- 市場上所有 USB 變速器 (在支援多 USB 和 USB 變速器的遊戲中)。

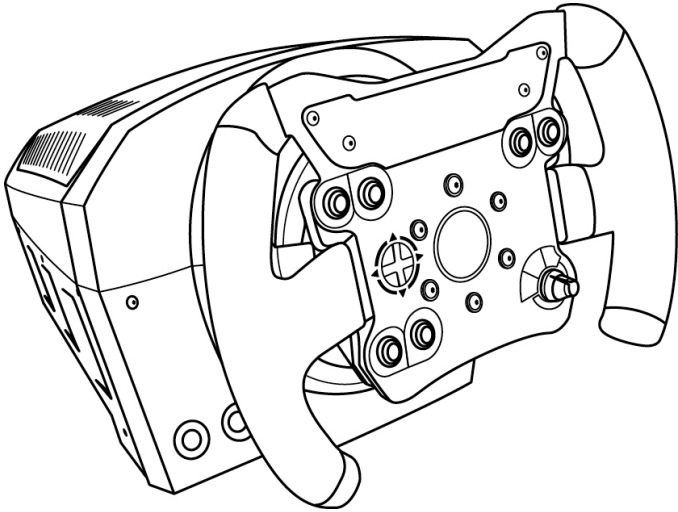
## 版權所有

© 2017 Guillemot Corporation S.A. 保留所有權利。圖馬思特® 為 Guillemot Corporation S.A 的註冊商標。其他商標或註冊商標均為其個別擁有者的財產。圖片並不受約束。產品內容、設計和規格如有變更，恕不另行通知，並可能會視乎國家而不同。中國製造。

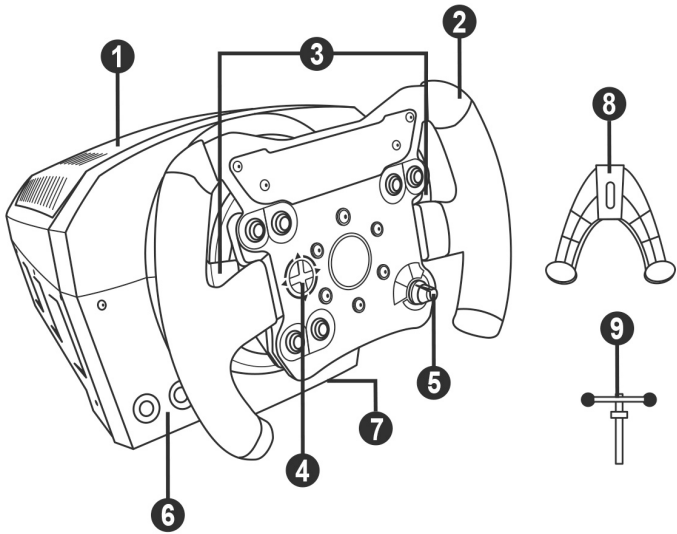


# TS-PC RACER

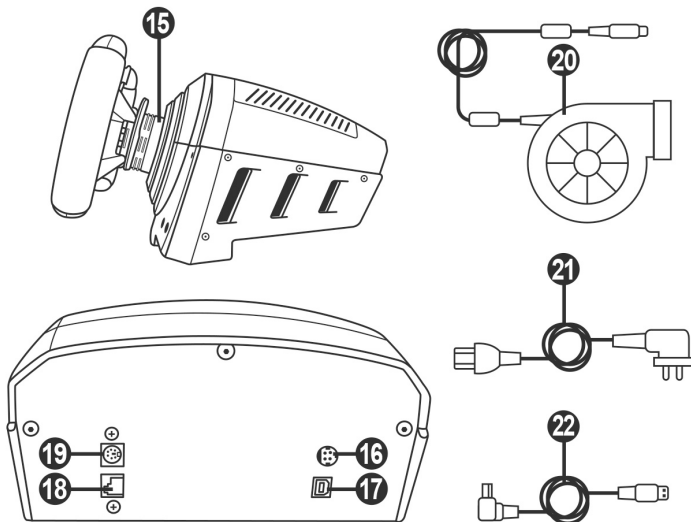
사용설명서



## 기술적 특징:



1. 베이스
2. 핸들
3. 2개의 시퀀셜 기어 패들 시프터 (위 및 아래)
4. D패드
5. 푸시 기능이 있는 회전 스위치
6. MODE 버튼 + 적색/녹색 표시등
7. 대형 나사 구멍(부착 시스템 및 나사 조임에 사용)
8. 부착 시스템
9. 금속 조임나사



- |                               |                               |
|-------------------------------|-------------------------------|
| 15. Thrustmaster 킥 릴리즈        | 19. TH8A 시프터용 커넥터 (시프터 별도 판매) |
| 16. TURBO POWER 전원 공급 장치용 커넥터 | 20. TURBO POWER 전원 공급 장치      |
| 17. 탈착식 USB 케이블용 커넥터          | 21. 전원 공급 케이블                 |
| 18. 페달 세트용 커넥터 (페달 세트 별도 판매)  | 22. 탈착식 USB 케이블               |

**전기 콘센트에 핸들 연결하기: 주의 깊게 읽어보세요!**



전압이 다른 전기 콘센트에는 **절대로** TURBO POWER 전원 공급 장치를 연결하지 마십시오! TURBO POWER 전원 연결 장치의 전압은 전원 공급 케이블용 암놈 커넥터 위 라벨에 표시되어 있습니다.



커넥터가 호환이 되는 경우라도, **절대로** TURBO POWER 외 다른 전원 공급 장치를 TS-PC RACER 베이스에 연결하지 마십시오! 예를 들어, 절대로 T500 RS 핸들용 전원 어댑터를 TS-PC RACER 베이스에 연결하지 마십시오.

## 경고

이 제품을 사용하기 전에 이 설명서를 주의 깊게 읽고 나중에 참고할 수 있도록 잘 보관하시기 바랍니다.



### 경고 - 감전

- \* 본 제품은 건조한 곳에 보관해야 하며, 먼지나 태양광선에 노출시키지 마십시오.
- \* 커넥터 및 케이블을 비틀거나 잡아 당기지 마십시오.
- \* 본 제품이나 제품의 커넥터에 액체를 흘리지 마십시오.
- \* 제품을 단락 ( 합선 ) 시키지 마십시오.
- \* 제품을 절대 분해하지 마십시오. 불 속에 제품을 던지지 마십시오. 제품을 고온에 노출시키지 마십시오.
- \* 레이싱 핸들과 함께 제공된 전원 공급 케이블이 아닌 다른 케이블을 사용하지 마십시오.
- \* 전원 공급 케이블 또는 커넥터가 손상되거나, 갈라지거나 파손된 경우 케이블을 사용하지 마십시오.
- \* 전원 공급 케이블이 전원 콘센트에 올바르게 끼워져 있고, 레이싱 핸들 베이스 뒷면의 커넥터에 올바르게 연결되어 있는지 확인하십시오.
- \* 레이싱 핸들을 열지 마십시오. 핸들 내부에는 사용자가 수리할 수 있는 부품이 없습니다. 모든 수리는 제조사, 제조사가 승인한 대리점 또는 자격을 갖춘 기술자가 수행해야 합니다.
- \* 제조사가 지정한 부착 시스템/부속품만 사용하십시오.
- \* 핸들이 비정상적으로 작동하면 ( 비정상적인 소리, 열, 또는 냄새가 나는 경우 ), 즉시 사용을 중단하고 콘센트에서 전원 케이블을 뽑고, 다른 케이블들의 연결을 해제하십시오.
- \* 레이싱 핸들을 장시간 동안 사용하지 않을 경우에는 콘센트에서 전원 공급 케이블을 뽑으십시오.
- \* 반드시 콘센트는 장치 가까운 곳을 활용 하시기 바랍니다.
- \* 전기 콘센트는 장비 근처에 위치해야 하며, 접근성이 좋아야 합니다.



### 환기

레이싱 핸들 베이스에 있는 어떠한 공기 환기구도 막지 마십시오. 최적의 환기를 위해 다음 사항을 준수하십시오.

- \* 핸들 베이스와 모든 벽면 사이에는 최소 10cm 의 간격을 두십시오.
- \* 좁은 공간에 베이스를 두지 마십시오.
- \* 베이스를 덮지 마십시오.
- \* 공기 환기구에 먼지가 쌓이지 않게 하십시오.



**안전한 사용을 위해 페달 세트를 절대 맨발 또는 양말만 신은 상태에서  
조작하지 마십시오.**

**THRUSTMASTER®는 신발 없이 페달 세트를 조작함으로써 발생하는  
부상에 대해 어떠한 책임도 지지 않습니다.**



### 경고 - 포스 피드백 및 반복적인 움직임으로 인한 부상 위험

포스 피드백 ( 게임 기기에서 충격 또는 진동을 실제로 체감하는 기능 ) 레이싱 핸들을 이용해서 게임하는 경우 근육이나 관절의 통증을 가져올 수 있습니다. 이러한 문제를 예방하려면 다음 사항을 준수하십시오.

- \* 장시간 동안 게임하지 마십시오.
- \* 게임 중 한 시간 당 10 ~ 15 분 정도 휴식을 취하십시오.
- \* 손, 손목, 팔, 발, 다리가 피로하거나 통증이 있는 경우 게임을 중지한 후 두 세 시간 쉬었다가 다시 게임을 진행하십시오.
- \* 게임을 다시 시작할 때 위에 설명한 증상이나 통증이 계속되는 경우에는 게임을 중단한 후 의사와 상담하십시오.
- \* 어린이가 접근하지 못하게 하십시오.
- \* 게임 중에는 반드시 양손으로 올바르게 핸들을 잡되, 핸들에서 양손을 모두 놓으면 안 됩니다.
- \* 게임 중에는 양손이나 손가락을 절대 페달 밑에 두거나 페달 세트 근처에 두면 안 됩니다.
- \* 보정 작업 중이나 게임 중에 레이싱 핸들의 구멍 속에 손이나 팔을 넣으면 절대로 안 됩니다.
- \* 레이싱 핸들 베이스는 이 사용설명서의 지시대로 제대로 고정시켜야 합니다.

### 중량 제품



본 제품은 만 16 세 이상의 사용자만  
조작해야 합니다



본 제품을 본인이나 다른 사람에게  
떨어뜨리지 않도록 주의하십시오!

### 반드시 준수





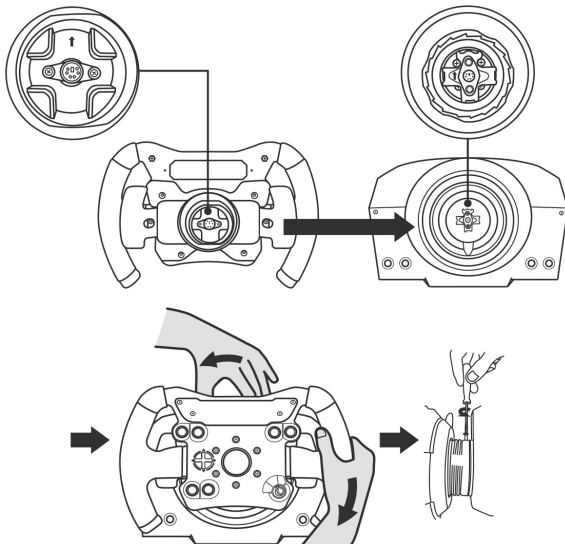
## 핸들을 핸들 베이스에 설치하기

화살표들을 이용해서 커넥터 위치를 맞춥니다.

**베이스 (1) 커넥터:** 위쪽을 가리키는 화살표

**레이싱 핸들 (2) 커넥터:** 위쪽을 가리키는 화살표

커넥터들을 올바른 위치에 놓은 후 레이싱 핸들 (2) 을 제 위치에 고정시킨 상태에서 Thrustmaster ( 트러스트마스터 ) 킥 릴리즈 (15) 장치의 링을 시계 반대 방향으로 돌리면 됩니다. 그 다음에 링을 최대한 조입니다. 링을 최대한 조이려면 링을 제 위치에 고정시킨 상태에서 레이싱 핸들을 시계 방향으로 돌립니다.



레이싱 핸들을 장착한 후에는 Thrustmaster 킥 릴리즈 장치 (15)의 링에 있는 소형 부착 나사에 손이 닿을 수 있도록 핸들을 180° 회전시키십시오 ( 핸들을 마주했을 때 TM 로고의 위아래가 뒤집힌 상태이어야 합니다 ). 대형 십자 드라이버로 소형 부착 나사를 시계 방향으로 돌려 조입니다 ( 무리한 힘을 가하지 마십시오 ).



**( 십자 드라이버 ) 소형 부착 나사를 조일 때 무리한 힘을 가하지 마십시오!  
무언가 닿은 느낌이 있으면 즉시 나사 돌리기를 멈추십시오.**

## 레이싱 핸들 부착하기

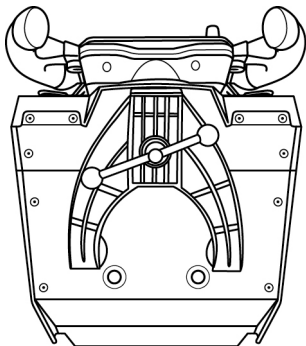
### 레이싱 핸들 베이스를 조종석에 부착하기

1. 레이싱 핸들 베이스를 조종석 선반에 놓습니다.
2. 조종석 선반을 통해 2 개의 M6 나사 ( 제품에 포함되지 않음 ) 를 밀어넣은 후, 레이싱 핸들 밑에 있는 2 개의 소형 나사산 속에 삽입합니다.  
*중요: 두 개의 M6 나사의 길이가 '선반 두께 + 12mm'를 초과하면 레이싱 핸들 베이스에 장착된 내부 부품을 파손시킬 수 있으므로 나사의 길이는 '선반 두께 + 12mm'를 초과하면 안 됩니다.*
3. 필요한 경우 조임 나사를 대형 나사 구멍에 끼워서 표준형 부착 시스템을 조이십시오.

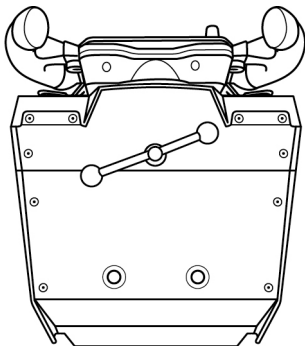
### 테이블이나 책상에 레이싱 핸들 부착하기

1. 레이싱 핸들을 테이블 또는 수평 상태의 평평하고 안정된 표면 위에 놓습니다.
2. 조임 나사 (9) 를 부착 시스템 (8) 에 삽입한 후, 나사를 시계 반대 방향으로 돌려서 기기를 조입니다. 이때, 레이싱 핸들 밑에 있는 대형 나사 구멍 (7) 에 나사를 끼워서 기기가 완전히 고정될 때까지 삽입합니다.

반드시 준수

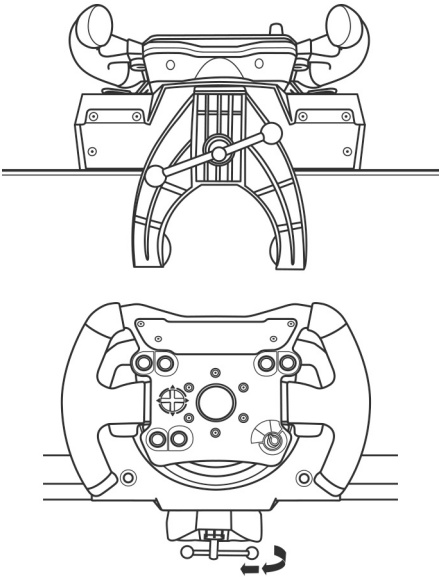
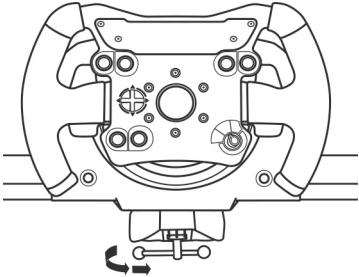


절대 금지



#### 경고:

- 부착 시스템 없이 절대로 나사만 조이지 마십시오!  
( 나사만 조이면 레이싱 핸들이 파손될 수 있습니다. )

부착/제거	방향
<p><b>조이기:</b></p> <p>나사를 시계 반대 방향으로 돌립니다</p>	
<p><b>풀기:</b></p> <p>나사를 시계 방향으로 돌립니다</p>	

## PC용 레이싱 핸들 설정

1. PC 용 드라이버와 포스 피드백 소프트웨어를 다운로드 하려면 <http://support.thrustmaster.com> 으로 이동하십시오. 레이싱 핸들/TS-PC RACER 를 클릭한 후, 드라이버를 선택하십시오.
2. 다운로드가 완료되면, 설치를 시작하고, 화면의 지시에 따라 핸들의 USB 플러그를 컴퓨터에 연결하여 설치를 완료합니다.
3. 설치가 완료되면 Finish(종료)를 클릭하고 컴퓨터를 다시 시작합니다.
4. Start/All Programs/Thrustmaster/FFB Racing Wheel/Control Panel(시작/모든 프로그램/Thrustmaster/FFB 레이싱 핸들/제어판)을 선택해서 게임 컨트롤러 창을 여십시오.

게임 컨트롤러 창에 레이싱 핸들의 이름인 Thrustmaster TS-PC RACER 가 OK(확인) 상태 표시와 함께 나타납니다.

5. TS-PC RACER 제어판에서 핸들을 구성하려면 Properties(속성)를 클릭하십시오.
  - 입력 테스트 탭: 동작 버튼, 방향 버튼, 핸들 및 페달 축 테스트 및 모기를 할 수 있으며, PC 게임에서 핸들의 회전 각도를 조정할 수 있습니다.
  - 포스 테스트 탭: 12 가지 포스 피드백 효과를 테스트할 수 있습니다.
  - 게임 설정 탭: PC 게임에서의 포스 피드백 효과의 파워를 조정할 수 있습니다.

### **이제 레이싱 준비가 되었습니다!**

#### 일반 참고:

- PC 에서, OK(확인)를 눌러 게임을 시작하기 전에 게임 컨트롤러 창을 닫으십시오.
- 핸들의 펌웨어 버전은 제어판 탭의 오른쪽 상단 모서리에 표시됩니다.

## 레이싱 핸들 펌웨어 업데이트

레이싱 핸들 베이스에 포함된 펌웨어는 제품을 개선시킨 최신 버전으로 업데이트할 수 있습니다.

레이싱 핸들이 현재 사용 중인 펌웨어 버전을 표시하고 필요한 경우 버전을 업데이트 하려면 PC에서 다음 사이트에 연결합니다. <http://support.thrustmaster.com> 스티어링 핸들/TS-PC RACER 클릭한 후 **펌웨어** 를 선택하고 다운로드 및 설정 절차를 설명하는 지시사항을 따르십시오.

## 레이싱 핸들 자동 보정

레이싱 핸들을 전원 콘센트에 연결하고 레이싱 핸들의 USB 커넥터를 연결하면 핸들은 자동으로 자가 보정됩니다.

이 과정에서 레이싱 핸들은 왼쪽에서 오른쪽으로 신속하게 회전하여 1080 도 각도를 커버한 후 중앙에서 멈춥니다.



**경고:**

**자가보정 하는 동안 절대 레이싱 핸들을 건드리지 마십시오!**

*(이 경우 부정확한 보정 및/또는 부상이 발생할 수 있습니다).*

**레이싱 핸들이 올바르게 작동하지 않거나 보정이 잘못된 것으로 생각되는 경우:**

PC의 전원을 끄고 레이싱 핸들의 연결을 완전히 해제합니다. 그 후 모든 케이블(전원 공급 케이블 및 페달 세트 포함)을 다시 연결한 다음, PC 및 게임을 다시 시작합니다.

## 핸들 베이스용 내부 냉각 시스템

핸들 베이스용 내부 냉각 시스템은

- 핸들에 전원이 들어오면 작동됩니다.
- 내부 온도가 낮은 수준으로 냉각되면 수분 간 비활성화 된 후 꺼집니다.
- 핸들을 사용할 때 다시 켜집니다.

## MODE(모드) 버튼 및 표시등 (6)

### 페달 세트 MODE(모드) 버튼

페달 세트용 커넥터 (18)와 연결된 Thrustmaster T3PA 또는 T3PA-PRO 페달 세트 사용자의 경우, 액셀러레이터와 클러치를 전자적으로 교대할 수 있습니다.

이는 MODE(모드) 버튼 (6) 을 2 초 동안 누르기만 하면 됩니다.

레이싱 핸들의 내부 메모리에는 페달이 교대되었는지 여부가 저장됩니다.

가속 페달 및 클러치 페달	MODE(모드) 표시등 (6) 색상
정상	적색
교대 시	녹색

## MODE(모드) 버튼에 대한 기타 정보

MODE 버튼 및 표시등에 대한 더 자세한 내용은 <http://support.thrustmaster.com> 에서 확인할 수 있습니다. 레이싱 핸들/TS-PC RACER 를 클릭한 후, **매뉴얼** 또는 **FAQ** 를 선택하십시오.

## 도움말 파일 및 FAQ(이 매뉴얼에는 포함되지 않음)

<http://support.thrustmaster.com> 을 확인해 주십시오. 레이싱 핸들/TS-PC RACER 를 클릭한 후, **매뉴얼** 또는 **FAQ** 를 선택하십시오.

## THRUSTMASTER 에코시스템과의 호환성

### 페달 세트

TS-PC RACER 베이스는 다음 제품과 호환 가능합니다.

- 페달 세트용 커넥터 (18)와 직접 연결된 Thrustmaster T3PA 및 T3PA-PRO 페달 세트.
- DB9 커넥터를 갖춘 Thrustmaster 제품이 아닌 페달 세트를 페달 세트용 커넥터 (18)에 연결할 수 있는 Thrustmaster DB9 PEDALS T.RJ12 어댑터.
- **시중에 판매되고 있는 모든 USB 페달 세트** (멀티 USB 및 USB 페달 세트를 지원하는 게임).

### 핸들

TS-PC RACER 베이스는 다음을 포함한 모든 Thrustmaster 탈착식 핸들과 호환 가능합니다.

- Ferrari 599XX EVO 30 핸들 부가 장치 Alcantara Edition
- Ferrari F1 핸들 부가 장치
- Ferrari GTE 핸들 부가 장치 Ferrari 458 Challenge Edition
- TM Leather 28 GT 핸들 부가 장치
- TM Open 핸들 부가 장치
- 등

### 시프터

TS-PC RACER 베이스는 다음 제품과 호환 가능합니다.

- "시퀀셜 (+/-)" 모드로 TH8A 시프터 (19)에 직접 연결되거나, "H-패턴 (7+1)" 및 아날로그/핸드브레이크 모드로 USB 포트에 연결된 Thrustmaster TH8A 시프터 부가 장치.
- **시중에 판매되고 있는 모든 USB 시프터** (멀티 USB 및 USB 시프터를 지원하는 게임).

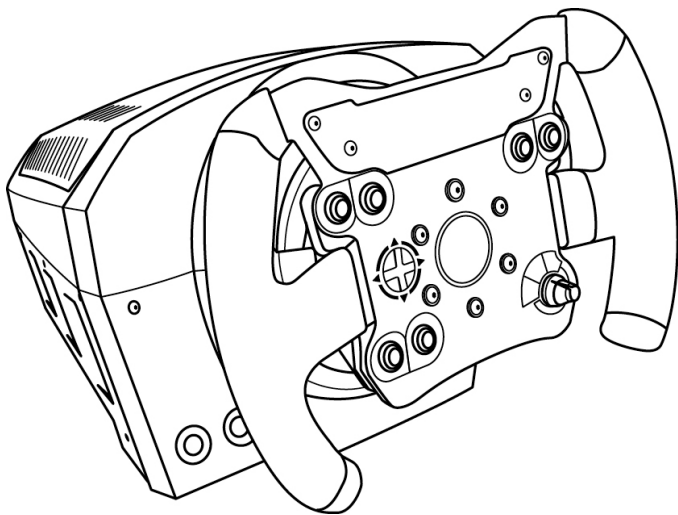
**COPYRIGHT**

© 2017 Guillemot Corporation S.A. 모든 권리 보유. Thrustmaster®는 Guillemot Corporation S.A.의 등록상표입니다. 다른 모든 상표는 해당 소유자의 자산입니다. 도면은 법적 구속력이 없습니다. 설명서의 내용, 설계 및 사양은 예고 없이 변경될 수 있으며, 나라마다 서로 다를 수 있습니다. 제조국: 중국



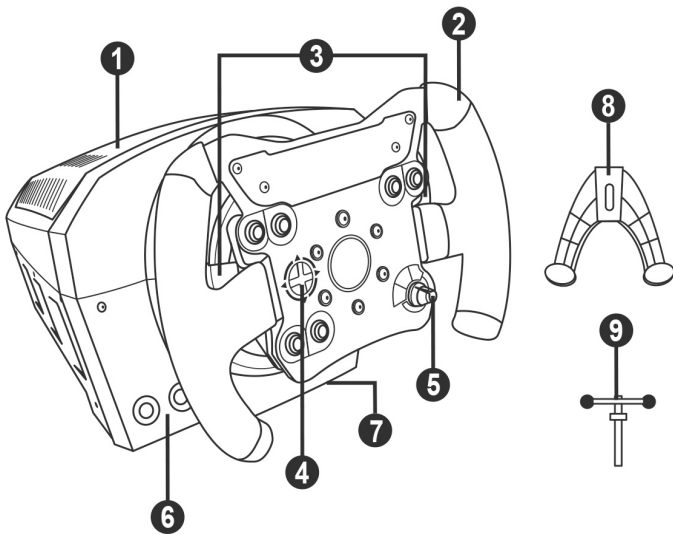
# TS-PC RACER

用户手册

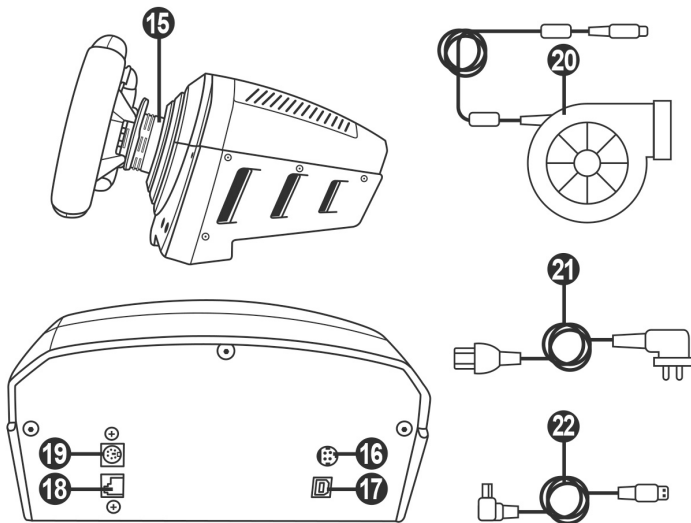




## 技术特征



- |                    |                      |
|--------------------|----------------------|
| 1 底座               | 6 MODE 按钮 + 红色/绿色指示灯 |
| 2 方向盘              | 7 大螺纹孔               |
| 3 2个序列式换挡拨片（向上和向下） | （用于安装固定系统和紧固螺丝）      |
| 4 方向键              | 8 固定系统               |
| 5 带有推按式按钮的旋钮       | 9 金属紧固螺丝             |



- |                             |                            |
|-----------------------------|----------------------------|
| 15 Thrustmaster (图马思特) 快拆系统 | 19 TH8A 变速器接头<br>(变速器单独销售) |
| 16 TURBO POWER 电源接头         | 20 TURBO POWER 电源          |
| 17 可拆卸 USB 电缆接头             | 21 电源线                     |
| 18 踏板接头 (踏板单独销售)            | 22 可拆卸 USB 电缆              |

**将方向盘插接到电气插座上：  
请仔细阅读以下警告！**



**切勿将 TURBO POWER 电源插接到不同电压的电气插座上！** TURBO POWER 电源线母接头上的标签上标示有电源的电压。



**切勿将 TURBO POWER 电源之外的其他电源连接到 TS-PC RACER 底座，即使其接头兼容！** 例如，切勿将 T500 RS 方向盘的电源适配器连接到 TS-PC RACER 底座。

## 警告

在使用此产品之前，请仔细阅读并保管好本手册以便日后参考之用。



### 警告 - 触电

- \* 请将本产品置于干燥的位置，切勿将其暴露在灰尘或阳光中。
- \* 切勿扭曲或拉扯连接器和电缆。
- \* 切勿让任何液体溅到本产品或其连接器上。
- \* 切勿造成本产品短路。
- \* 切勿拆散本产品；切勿将其投入火中，亦勿将其暴露在高温环境中。
- \* 请务必使用方向盘随附的电源电缆，切勿使用其他电源电缆。
- \* 如果电源电缆或其连接器损坏、裂开或断裂，请勿使用该电缆。
- \* 请务必将电源电缆正确插入到电气插座中，并正确连接到位于方向盘底座背面的连接器。
- \* 切勿拆开方向盘：内部没有任何可由用户维修的零部件。任何维修工作均须由制造商、其授权代表或持证技工执行。
- \* 仅使用制造商指定的固定系统/配件。
- \* 如果方向盘工作异常（如果出现任何异常的声音、过热或有异味），应立即停止使用，从电气插座上断开电源电缆，并断开其他电缆。
- \* 如果长时间不使用方向盘，请从电气插座上断开电源电缆。
- \* 电气插座必须位于设备附近，且必须方便插拔电源线。



### 通气孔

- 切勿堵住方向盘底座上的任何通气孔。为获得最佳通风效果，请务必遵循以下几点：
- \* 将方向盘底座置于距离任何墙面至少 10 cm 的位置。
  - \* 切勿将底座置于任何狭小空间内。
  - \* 切勿覆盖底座。
  - \* 避免通气孔上堆积灰尘。



为安全起见，切勿赤脚或仅穿袜子操作踏板。  
如因未穿鞋操作踏板而造成任何伤害，THRUSTMASTER® 对此概不负责。



### 警告—因力反馈和重复运动造成的伤害

使用力反馈方向盘玩游戏可能会导致肌肉或关节疼痛。为避免这些问题：

- \* 避免长时间玩游戏。
- \* 每玩一小时后休息 10 到 15 分钟。
- \* 如果手、手腕、手臂、脚或腿有任何疲劳或疼痛的感觉，应停止玩游戏，休息几个小时后再玩。



## 警告—因力反馈和重复运动造成的伤害（续）

- \* 如果再玩时仍然存在上述症状或疼痛感，应立即停止玩游戏并咨询医生。
- \* 放到儿童够不到的区域。
- \* 玩游戏期间，应始终将双手正确放在方向盘上，手不要完全离开方向盘。
- \* 玩游戏期间，切勿将手或手指放在踏板下方或踏板附近任何位置。
- \* 校准和玩游戏期间，切勿将手或手臂穿过方向盘的开孔。
- \* 务必按照本手册的说明将方向盘底座正确固定到位。

## 重产品



本产品只能由 16 岁或以上的用户操作



小心不要让本产品碰到自己或他人！

## 务必



## 将方向盘安装到底座上

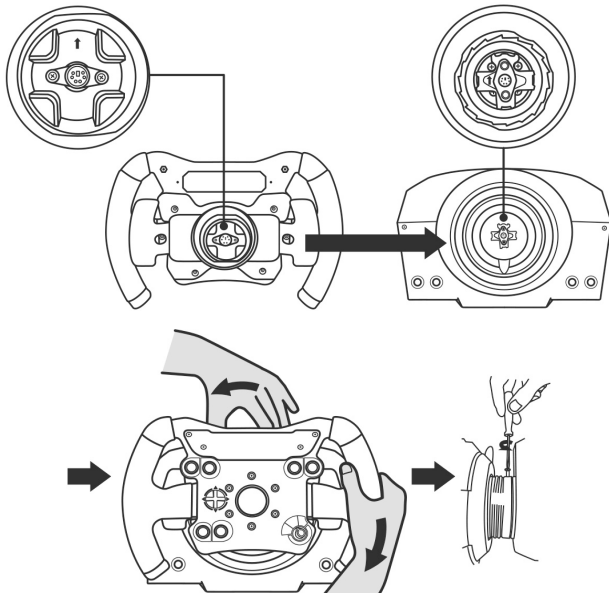
按照箭头指示对准连接器位置：

**底座 (1) 连接器：** 箭头朝上

**方向盘 (2) 连接器：** 箭头朝上

正确放置连接器之后，只需使方向盘 (2) 固定到位，同时逆时针旋转 Thrustmaster（图马思特）快拆器 (15) 装置的圆环即可。

然后，尽量拧紧圆环；要拧紧圆环，只需将圆环固定到位，然后顺时针旋转方向盘。



安装好方向盘后，将其旋转 180°（正对方向盘时，TM 徽标应倒立），以便操作 Thrustmaster（图马思特）快拆器 (15) 装置圆环上的小固定螺丝。使用大十字螺丝刀顺时针拧紧小固定螺丝（切勿用力过猛）。



**使用十字螺丝刀拧紧小固定螺丝时切勿用力过猛！**

**感觉到有阻力后即停止拧螺丝。**

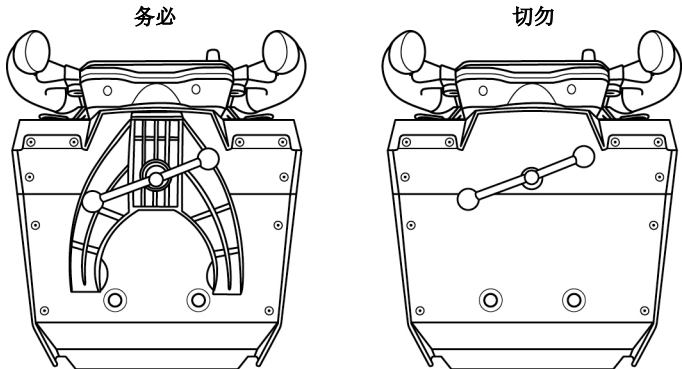
## 固定方向盘

### 将方向盘底座固定到驾驶座上

1. 将方向盘底座放到驾驶座支架上。
2. 将两颗 M6 螺丝（未含）敲进驾驶座支架中，然后将其拧进方向盘底部的两个小螺纹孔中。  
*重要提示：两颗M6螺丝的长度不得超过支架的厚度+12mm；螺丝过长可能会导致方向盘底座内部组件受损。*
3. 如有必要，可通过将紧固螺丝插入大螺纹孔，紧固标准固定系统。

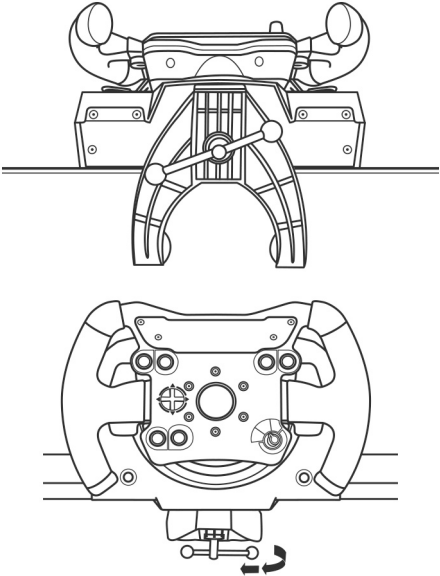
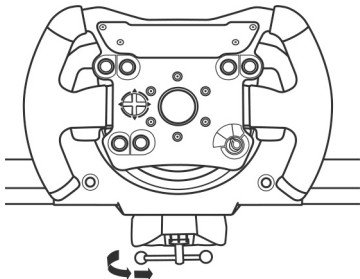
### 将方向盘固定到台面或桌面上

1. 将方向盘置于桌台或任何水平、平整且稳定的表面上。
2. 将紧固螺丝 (9) 插入到固定系统 (8) 中，然后按下述方法紧固方向盘：逆时针拧转螺丝，使螺丝进入方向盘底部的大螺纹孔 (7) 中，直至方向盘完全固定好为止。



#### 警告：

- 切勿只拧紧螺丝，而不安装固定系统（这样可能会损坏方向盘）。

固定/拆卸	操作指示
<p><b>拧紧:</b> 逆时针旋转螺丝</p>	
<p><b>松开:</b> 顺时针旋转螺丝</p>	

## 针对 PC 设置方向盘

1.前往 <http://support.thrustmaster.com> 下载适用于 PC 的驱动程序和力反馈软件。点击 Racing Wheels（方向盘）/ TS-PC RACER，然后选择 Drivers（驱动程序）。

2.下载完成后，启动安装程序，然后按照屏幕上的说明，将方向盘的 USB 接头连接到计算机并完成安装。

3.安装完成后，点击“完成”并重新启动计算机。

4.选择“开始”/“所有程序”/Thrustmaster /FFB 方向盘”/“控制面板”，以打开“游戏控制器”窗口。

“游戏控制器”窗口将显示方向盘的名称 Thrustmaster TS-PC RACER，并且状态为“正常”。

5.点击“属性”，在 TS-PC RACER 控制面板中配置您的方向盘：

- “测试输入”选项卡：可用于测试和查看操作按钮、方向按钮、方向盘和踏板轴，还可调节方向盘在 PC 游戏中的旋转角度。
- “测试力反馈”选项卡：可用于测试 12 种力反馈效果。
- “增益设置”选项卡：可用于调节力反馈在您的 PC 游戏中的作用大小。

***现在即可开始玩游戏了！***

一般说明：

- 在 PC 上，点击“确定”，关闭“游戏控制器”窗口，再开始启动游戏。
- 您的方向盘固件版本将显示在控制面板选项卡的右上角。

## 更新方向盘固件

本方向盘底座中包含的固件可升级到更新的版本，从而获得产品增强功能。

要显示方向盘当前使用的固件版本并在需要时进行升级：在 PC 上，访问 <http://support.thrustmaster.com>。点击 Racing Wheels（方向盘）/ TS-PC RACER，然后选择 Firmware（固件），按照下载和安装程序说明进行操作。



## 自动校准方向盘

将此方向盘插接到电气插座并连接方向盘的 USB 接头之后，即可自动执行方向盘自校准。在自校准过程中，方向盘将快速地左右各旋转 1080 度，然后在中心位置停下。



**警告：**

**切勿在自校准过程中触摸方向盘！**  
(这可能导致校准不正确和/或人员受伤。)

**如果您的方向盘运行不正常，或可能校准不当：**

关闭 PC 并完全断开方向盘。然后重新连接所有电缆（包括电源线和踏板电缆），重新启动主机和游戏。

## 方向盘底座内置散热系统

方向盘底座内置散热系统

- 在方向盘通电时开始工作。
- 在闲置几分钟后，当内部温度下降到设定的低温水平时，将会自动关闭。
- 当您使用方向盘时将会再次自动打开。

## MODE 按钮和指示灯 (6)

### MODE 按钮（用于踏板）

如果您将 Thrustmaster（图马思特）T3PA 或 T3PA-PRO 踏板连接到踏板接头 (18) 上，您可以以电子方式切换油门和离合器踏板。

要切换踏板，只需按住 MODE 按钮 (6) 两秒钟即可。

方向盘的内存会存储是否已切换踏板的信息。

油门和离合器踏板	MODE 指示灯 (6) 的颜色
正常	红色
已切换	绿色

### 关于 MODE 按钮的其他信息

要了解有关 MODE 按钮和指示灯的更多信息，请访问 <http://support.thrustmaster.com>。点击 Racing Wheels（方向盘）/ TS-PC RACER，然后选择 Manual（手册）或 FAQ（常见问题解答）。

### 帮助文件和常见问题解答（本手册中未提供）

请访问 <http://support.thrustmaster.com>。点击 Racing Wheels（方向盘）/ TS-PC RACER，然后选择 Manual（手册）或 FAQ（常见问题解答）。

## 兼容 Thrustmaster（图马思特）生态系统

### 踏板

TS-PC RACER 底座兼容以下附件：

- Thrustmaster（图马思特）T3PA 和 T3PA-PRO 踏板，直接连接到踏板接头 **(18)**。
- Thrustmaster（图马思特）DB9 PEDALS T.RJ12 适配器，可允许配备 DB9 接头的非 Thrustmaster（图马思特）踏板连接到踏板接头 **(18)**。
- **市场上所有 USB 踏板**（在支持多 USB 和 USB 踏板的游戏）。

### 方向盘

TS-PC RACER 底座兼容所有 Thrustmaster（图马思特）可拆卸方向盘，包括：

- Ferrari 599XX EVO 30 方向盘 Alcantara® Edition
- Ferrari F1 方向盘
- Ferrari GTE 方向盘 Ferrari 458 Challenge Edition
- TM Leather 28 GT 方向盘
- TM Open Wheel 方向盘
- 等等。

### 变速器

TS-PC RACER 底座兼容以下附件：

- Thrustmaster（图马思特）TH8A Shifter Add-On，直接连接到 TH8A 变速器接头 **(19)**（用于“序列式 (+/-)”模式），或连接到 USB 端口（用于“H 模式 (7+1)”和模拟/手刹模式）。
- **市场上所有 USB 变速器**（在支持多 USB 和 USB 变速器的游戏中）。

版权所有

© 2017 Guillemot Corporation S.A. 保留所有权利。Thrustmaster® 是 Guillemot Corporation S.A. 的注册商标。

的商标。所有其他商标是其各自所有者的财产。产品图片不具约束力。以上内容、设计和规格若有变更，恕不另行通知。并且，以上信息可能因国家不同而不同。中国制造。

