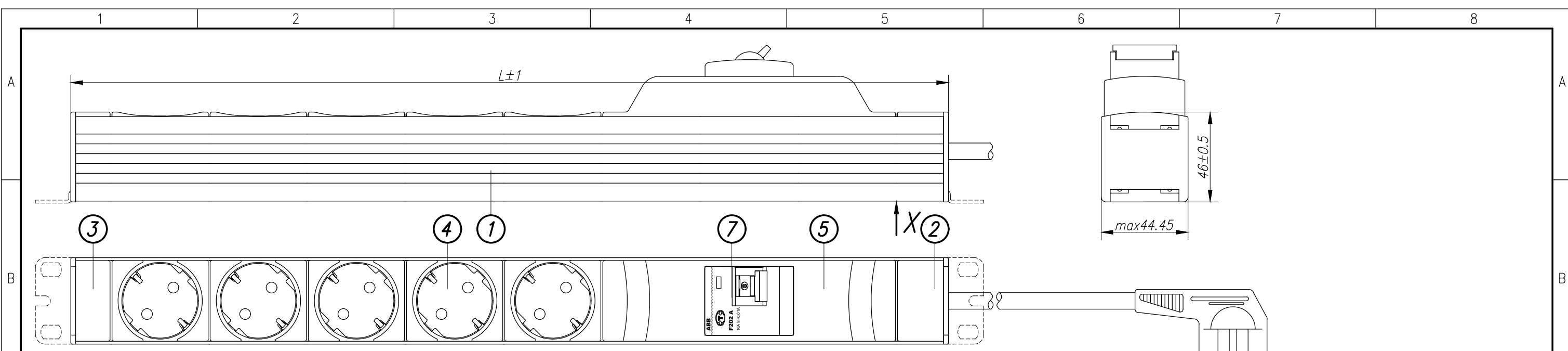
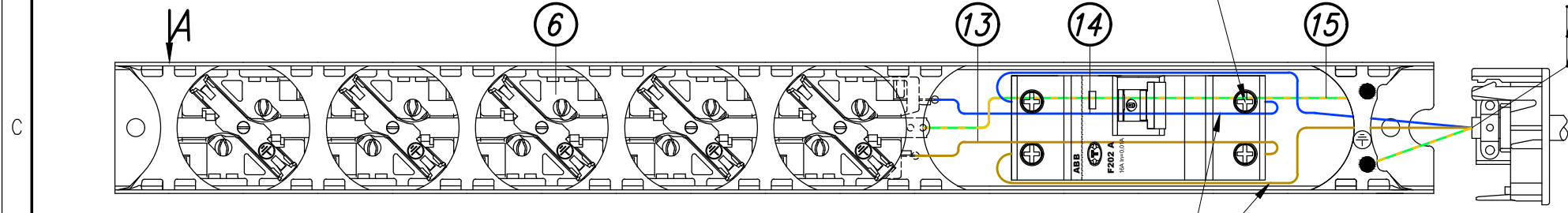


Disclosure and photocopying of this document, exploitation and communication of its contents are not permitted, unless permission is expressly granted. All rights are reserved.



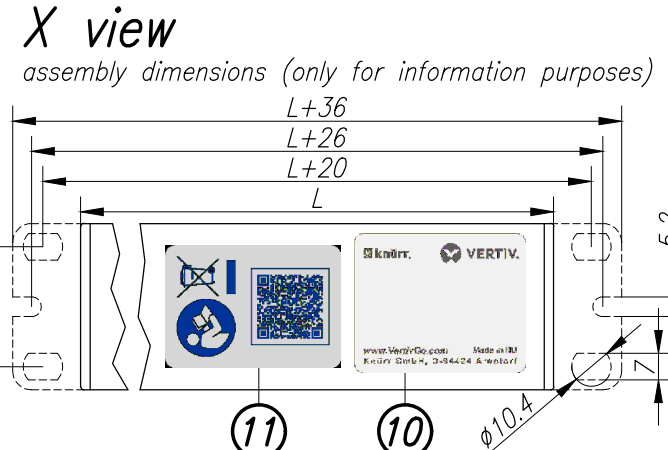
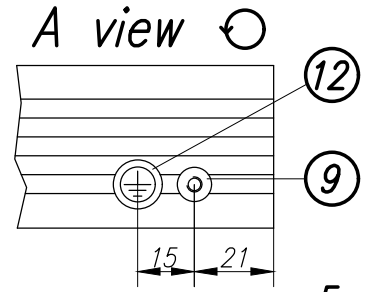
Internal wiring scheme, inlets and outlets shown frontside down

Csavarok meghúzási nyomatéka 2.8 Nm.
The tightening torque is 2.8 Nm.

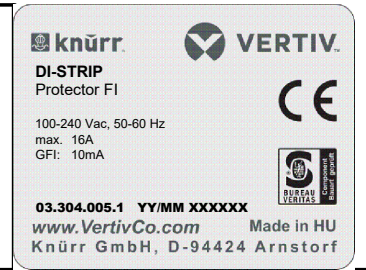


N_{blue}
L_{brown}
PE_{green-y.}

Vezetékeket a ház alján vezetni!
Cable lead at the bottom of the chassis.



Example of label:



Technical data:
- DIN 49440 SCHUKO socket 16A
socket spacing 50mm, torsion of sockets 45°
- with FI module 16A $I_n=0,01A$

- Operating temperature: 0 ... +50 °C

Type selection

Drawing no.	Description	L (mm)	Color of chassis	No. of sockets	Gross weight (kg)	Net weight (kg)	External dimensions of packing box (mm)
03.304.013.1	DIS-EEV CEE7/7-16A 13P RCD	847	RAL7035 light grey	13	1,92	1,65	1030x60x100
03.304.009.1	DIS-EEV CEE7/7-16A 9P RCD	647	RAL7035 light grey	9	1,56	1,36	680x60x100
03.304.005.1	DIS-EEC CEE7/7-16A 5P RCD	447	RAL7035 light grey	5	1,31	1,07	620x60x100

No.	Qty	Code	Description	Material	Gross weight (kg)	Net weight (kg)	External dimensions (mm)
13	1	ST	Vezeték barna 1,5mm ²	Electric cord brown	8.768.3855		L=160(EO-EV)
14	1	ST	Vezeték kék 1,5mm ²	Electric cord blue	8.768.3162		L=160(EO-EV)
15	1	ST	Vezeték zöld-sárga 1,5mm ²	Electric cord green-yellow	3.768.2674		L=240(EO-EO)

A belső vezetékvezetés komponensei. / Components of internal wiring.

Load rating:
100-240 Vac, 50-60 Hz
Input: 1x 16 A
Output: 16 A

Approvals/certificates:
- CE marking according to: LVD (low voltage directive), RoHS (restriction of hazardous substances)
- BV-BG certification (factory inspected)

Power cord:
Type: H05VV-F 3x1,5mm², white
Length: 2,5m
Plug: CEE VII/7, DIN49441 Form2

Material/Finish:
Chassis: closed sheet steel extrusion, zincplated, powder-coated texture
Plastic parts: Vampamid 6 0024 VO (UL94) or similar, recyclable
Internal conduction: brass conductor rails and copper wires
Internal copper wires: H07V-K 1,5mm²

Color:
Chassis:
Plastic parts: RAL7035 light grey

Packaging:
Packing box (csomagolódoboz)
Supply schedule:
Socket strip (1 piece)
Mounting bracket (2 pieces) 3.768.2608
User manual (1 piece) 03.300.999.1

Dimensions in mm				General tolerances	Finish	Material	Sheet
				ISO 2768-m			1/1
Rev.	Change	Date	Name	Drawn	Date	Name	Description
B	18027	14.07.17	Gali	Checked	03.12.2009.	Kovács	DIS-EEV CEE7/7-16A RCD
				Approved		Szabó	
Platine:				File:			
				Gross weight		Net weight	External dimensions of packing box
				kg		kg	mm

Weitergabe sowie Vervielfältigung dieser Unterlage, Verwertung und Mitteilung ihres Inhalts nicht gestattet, soweit nicht ausdrücklich zugestanden. Alle Rechte vorbehalten.