



**THE BEST SUPPORT
FOR YOUR AV & IT HARDWARE**
T: + 31(0)23-5478888 | E: info@newstar.eu | W: www.newstar.eu

FPMA-W830

NEWSTAR FLAT SCREEN WALL MOUNT

Newstar TV/Monitor Wall Mount (Full Motion) for 10"-27" Screen - Silver



SPECIFICATIONS

Color	Silver
Distance to wall	5 - 37 cm
Height adjustment	None
Max. screen size	27
Max. weight	12
Min. screen size	10
Min. weight	0
Screens	1
Swivel (degrees)	180°
Tilt (degrees)	140°
Type	Tilt
	Swivel
	Full motion
VESA maximum	100x100 mm
VESA minimum	75x75 mm
Warranty	5 year
EAN code	8717371441258

The NewStar wall mount, model FPMA-W830 is a tilt- and swivel wall mount for flat screens up to 27" (69 cm). This mount is a great choice when you want the ultimate viewing flexibility with your flat screen. Effortless pull the display out from the wall, position it in almost any direction, turn it around corners and then smoothly return it to the wall when finished.

NewStars' tilt (20°) and swivel (180°) technology allows the mount to change to any viewing angle to fully benefit from the capabilities of the flat screen. The mount is easily depth adjustable from 4 to 36 centimetres.

NewStar FPMA-W830 has three pivot points and is suitable for screens up to 27" (69 cm). The weight capacity of this product is 12 kg each screen. The wall mount is suitable for screens that meet VESA hole pattern 75x75 and 100x100mm. Different hole patterns can be covered using NewStar VESA adapter plates.

Create a clean design ambiance for your flat screen TV in the living room, bedroom or home cinema.

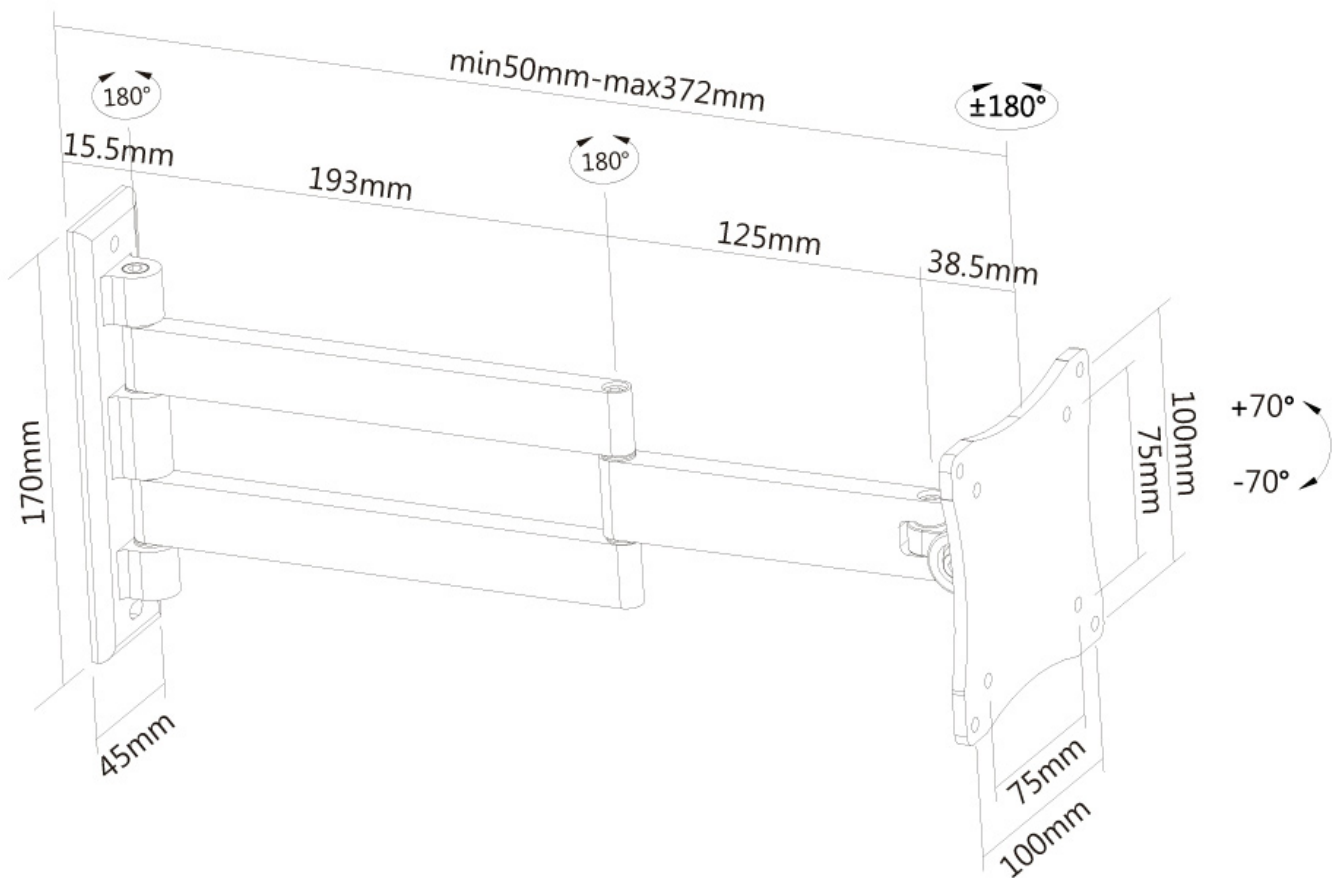
All installation material is included with the product.



**THE BEST SUPPORT
FOR YOUR AV & IT HARDWARE**
T: +31(0)23-5478888 | E: info@newstar.eu | W: www.newstar.eu

FPMA-W830

NEWSTAR FLAT SCREEN WALL MOUNT



NewStar Products Europe B.V.
Wateringweg 62/B
2031 EJ HAARLEM
THE NETHERLANDS

Phone : +31(0)23-5478888
Fax : +31(0)23-5478889
Email : info@newstar.nl
Website : www.newstar.eu

NewStar cannot be held liable for any inaccuracies and copyrights.
No part of this publication may be reproduced and/or published by print, photocopy, microfilm or in any other way, without prior written permission of NewStar Computer Products Europe BV.