



USE WITH
 Ø60MM
 POLES

BT4004

EXTRA-LARGE FLOOR BASE FOR DISPLAY STANDS



A modular based system which allows for a custom built flat screen display floor stand, this extra large base is designed to be used with B-Tech's Ø60mm poles. After picking a base, choose suitable height poles and a screen mounting kit depending on the type of installation. For a mobile application, alternative braked castors are available separately.

SPECIFICATION

Base dimensions	W:1660mm D:810mm H:140mm
Max load	130kg
No. of poles required	2
Colour	Black

FEATURES

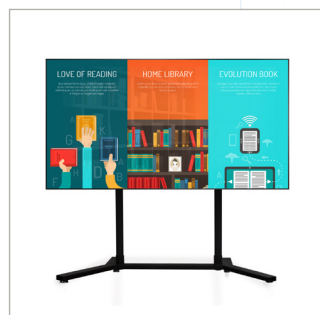
- Floor base designed for use with B-Tech's Ø60mm poles (BT4005/BT4011/BT4015)
- Suitable for single flat screen displays over 65"
- Ideal for use with large heavy touch screens or twin screen displays
- Can be used with a BT9903 screen interface mount and is compatible with the System X range*
- Supplied with screw-in levelling feet
- Optional BTW100-4 braked castors (*available separately*) to convert stand into a mobile application

*Max weight is also dependent on which screen interface is used

Poles, screen interface kit and accessories all sold separately



Supplied with screw-in levelling feet, castors available separately



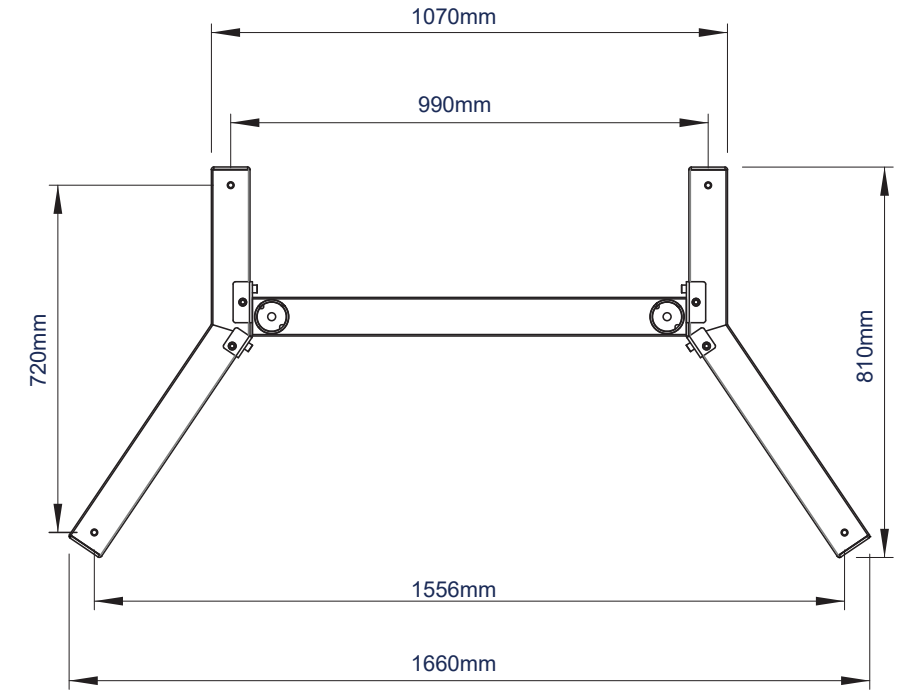
Ideal for large touch screen displays



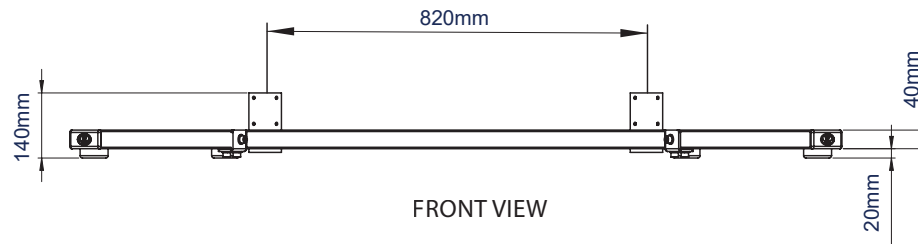
Suitable for multi display mounting



Compatible with the System X range



BASE



FRONT VIEW



REAR VIEW

PACKING INFORMATION

ORDER REF:	COLOUR:	EAN CODE:	MASTER CARTON QTY:	INNER CARTON QTY:	MASTER CARTON WEIGHT:	MASTER CARTON CUBE:
BT4004/B	Black	5019318089718	1	N/A	12.50kg	0.054cbm

ACCESSORIES AND RELATED PRODUCTS



Ø60mm Poles Lengths available: 0.5m, 1.1m & 1.5m



Ø60mm Accessory Collar mounts AV accessories such as component shelves onto poles



Braked Castors Mobile alternative to levelling feet



Large Floor Base Use with 1 or 2 Ø60mm poles

© 2019 B-Tech Professional Design & Manufacturing Ltd. All rights reserved.
 The information in this specification sheet reflects the current technical specifications of B-Tech Professional Design & Manufacturing Ltd.
 We reserve the right to change the technical or physical specifications without prior notice. This is to ensure the highest quality of our products.
 B-Tech Professional Design & Manufacturing Ltd. is not responsible for any damage caused by improper or misuse of our products. Any reproduction or retransmission of any part of this
 specification is strictly prohibited unless prior written permission has been granted by B-Tech Professional Design & Manufacturing Ltd. (B-Tech).
 SS-V1.1-BT4004-150219