



**THE BEST SUPPORT
FOR YOUR AV & IT HARDWARE**
T: + 31(0)23-5478888 | E: info@newstar.eu | W: www.newstar.eu

FPMA-MOBILE1800

NEWSTAR MOBILE WORK STATION

Newstar Mobile Work Station Floor Stand for monitor (10"-27"), keyboard, mouse & PC - Silver



SPECIFICATIONS

Color	Silver
Height	180 cm
Height adjustment	Manual
Max. screen size	27
Max. weight	6
Min. screen size	10
Min. weight	0
Screens	1
Swivel (degrees)	180°
Tilt (degrees)	25°
Type	Tilt
	Swivel
	Full motion
VESA maximum	100x100 mm
VESA minimum	75x75 mm
Warranty	5 year
EAN code	8717371440701

The NewStar floor stand, model FPMA-MOBILE1800 is a tiltable mobile floor stand for flat screens up to 24" for keyboards, mice and PC. This mobile stand is a great choice for space saving placement or when wall-, ceiling mounting or desk placement is not an option. This cart stretches your investment by serving a variety of projection needs by sharing a display, keyboard, mouse and PC over multiple rooms. Get optimal positioning for both standing and seated audiences, in any application, in any part of your location.

NewStar's versatile tilt (25°) technology allows the mount to change to any viewing angle to fully benefit from the capabilities of the flat screen. The mount is manually height adjustable from 0 to 180 centimetres. An innovative cable management conceals and routes cables from mount to flat screen. Hide your cables to keep the stand nice and tidy.

NewStars' floor stand, FPMA-MOBILE1800 holds your screen and even hides your cables. The casters allow the stand to move it to where you need it. Easily roll this cart through doorways and over thresholds.

NewStar FPMA-MOBILE1800 has one pivot point and is suitable for screens up to 27" (69 cm). The weight capacity of this product is 6 kg each screen. The stand is suitable for screens that meet VESA hole pattern 75x75 & 100x100mm. Different hole patterns can be covered using NewStar VESA adapter plates. Speedy assembly and installation.

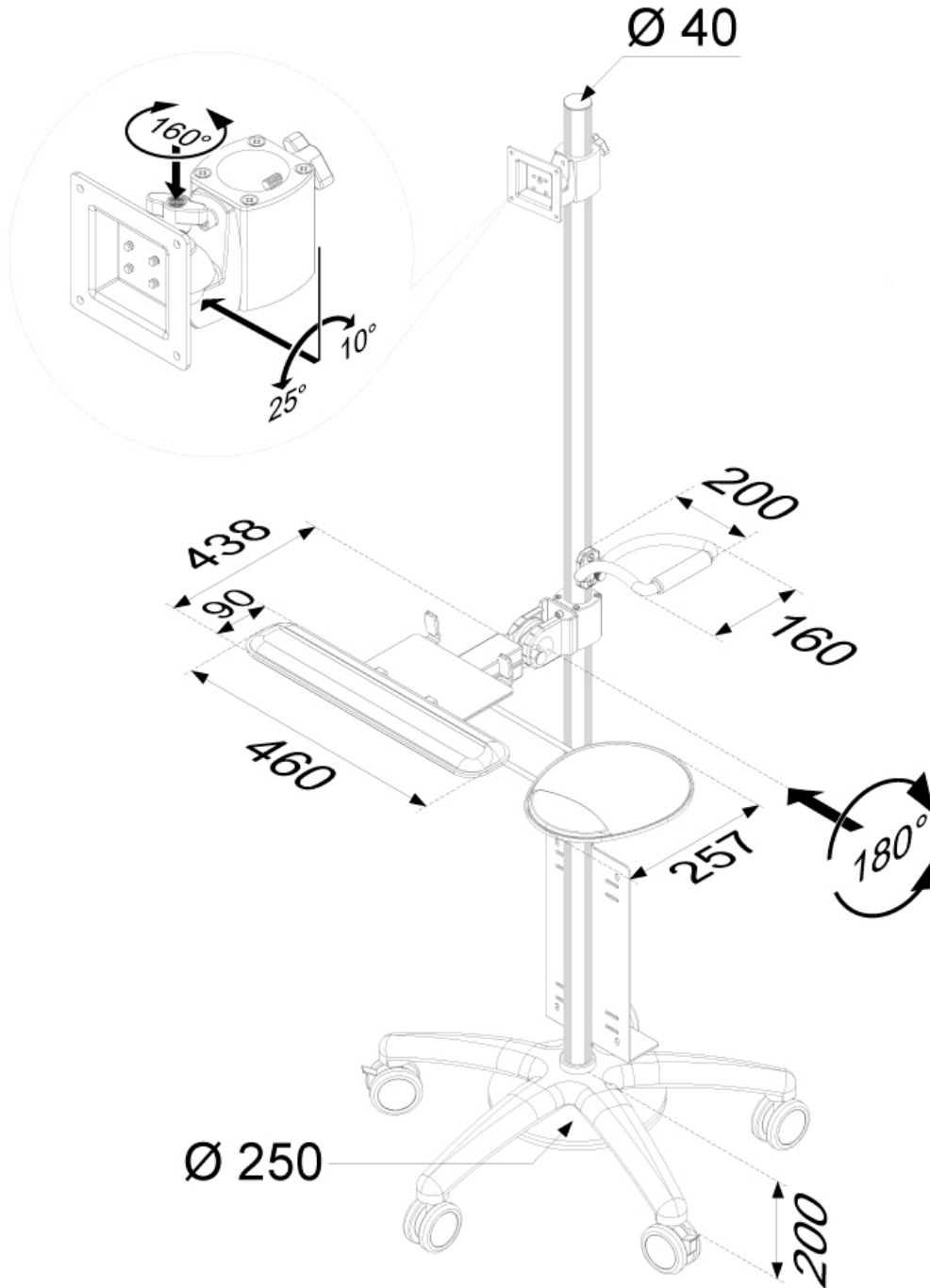
All installation material is included with the product.



**THE BEST SUPPORT
FOR YOUR AV & IT HARDWARE**
T: + 31(0)23-5478888 | E: info@newstar.eu | W: www.newstar.eu

FPMA-MOBILE1800

NEWSTAR MOBILE WORK STATION



NewStar Products Europe B.V.
Wateringweg 62/B
2031 EJ HAARLEM
THE NETHERLANDS

Phone : +31(0)23-5478888
Fax : +31(0)23-5478889
Email : info@newstar.nl
Website : www.newstar.eu

NewStar cannot be held liable for any inaccuracies and copyrights.
No part of this publication may be reproduced and/or published by print, photocopy, microfilm or in any other way, without prior written permission of NewStar Computer Products Europe BV.