

FPMA-C020BLACK

SPECIFICATIONS

GENERAL

Min. screen size*	10
Max. screen size*	40
Min. weight	0
Max. weight	20
Screens	1
VESA maximum	200x200 mm
VESA minimum	75x75 mm

FUNCTIE

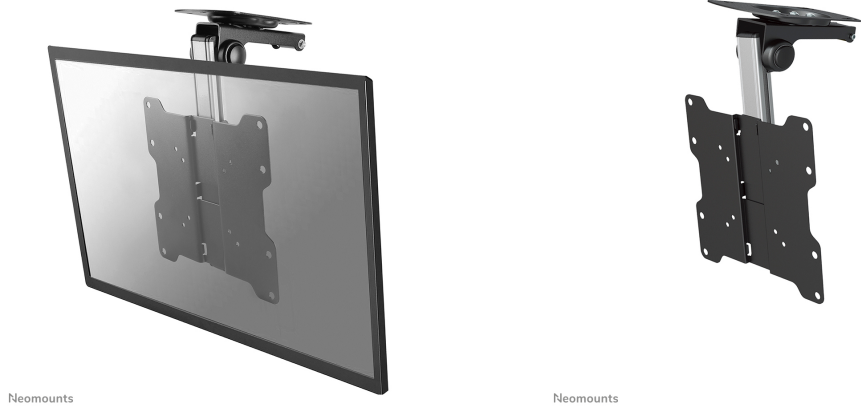
Type	Tilt Swivel Full motion
Height adjustment	26,5-40 cm
Tilt (degrees)	90°
Adjustment type	Manual

INFORMATION

Color	Black
Main material	Steel
Warranty	5 year

*Please note: The inch sizes stated are just an indication, combined with the weight and VESA sizes. The maximum weight and VESA size are absolute restrictions for the products and should not be exceeded.

NEOMOUNTS FPMA-C020BLACK MONITOR/TV MOUNT CEILING 10-40" - H 26,5-40 CM



Neomounts FPMA-C020BLACK Monitor/TV mount ceiling 1 screen - 10-40" - max 20 kg - VESA 75x75-200x200 - h 26,5-40 cm - black

The Neomounts FPMA-C020BLACK is a tilt- and swivel ceiling mount for flat screens up to 40" (102 cm). This mount is a great choice for space saving placement or when wall mounting and floor placement is not an option.

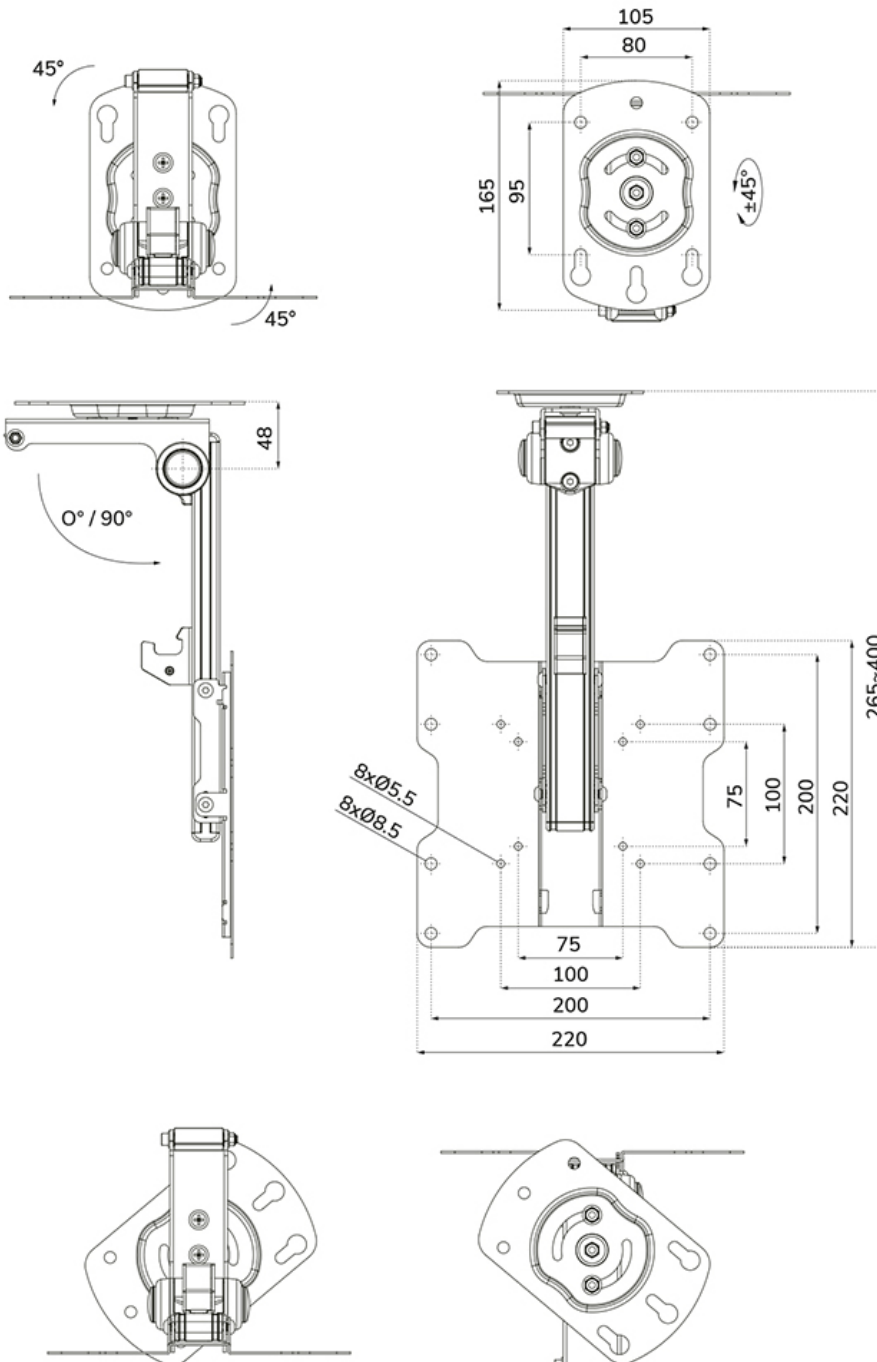
Neomounts versatile tilt (90°) technology allows the mount to change to any viewing angle to fully benefit from the capabilities of the flat screen. The support is easily height adjustable from 26,5 to 40 centimetres. An innovative cable management conceals and routes cables from ceiling to TV. Hide your cables in the column to keep it nice and tidy.

Neomounts FPMA-C020BLACK has one pivot point and is suitable for screens up to 40" (102 cm). The weight capacity of this product is 20 kg. The ceiling mount is suitable for screens that meet VESA hole pattern 75x75 or 200x200mm. Different hole patterns can be covered using Neomounts VESA adapter plates.

All installation material is included with the product.

FPMA-C020BLACK

NEOMOUNTS FPMA-C020BLACK MONITOR/TV MOUNT CEILING 10-40" - H 26,5-40 CM



Neomounts

Measuring unit: mm