

## NOTEBOOK-V200

### SPECIFICATIONS

#### GENERAL

Min. screen size*	10 inch
Max. screen size*	15 inch
Min. weight	0 kg (per screen)
Max. weight	4 kg (per screen)
Screens	1
VESA minimum	75x75 mm
VESA maximum	100x100 mm

#### FUNCTIONALITY

Type	Fixed
Height adjustment	6 cm
Width adjustment	24-42 cm
Depth adjustment	28 cm
Adjustment type	None

#### INFORMATION

Color	Black
Main material	Steel
Warranty	5 year
EAN code	8717371445768

\*Please note: The inch sizes stated are just an indication, combined with the weight and VESA sizes. The maximum weight and VESA size are absolute restrictions for the products and should not be exceeded.

## NEOMOUNTS LAPTOP HOLDER



Neomounts

### Neomounts Laptop Holder (mounting via VESA 75x75 to 100x100mm) - Black

The Neomounts notebook mount, model NOTEBOOK-V200 is a universal notebook mount offering the notebook maximum functionality. This mount installs on any bracket using VESA75 or VESA100 hole pattern. Select a wall-, desk- or ceiling mount and install the notebook bracket using the VESA holes.

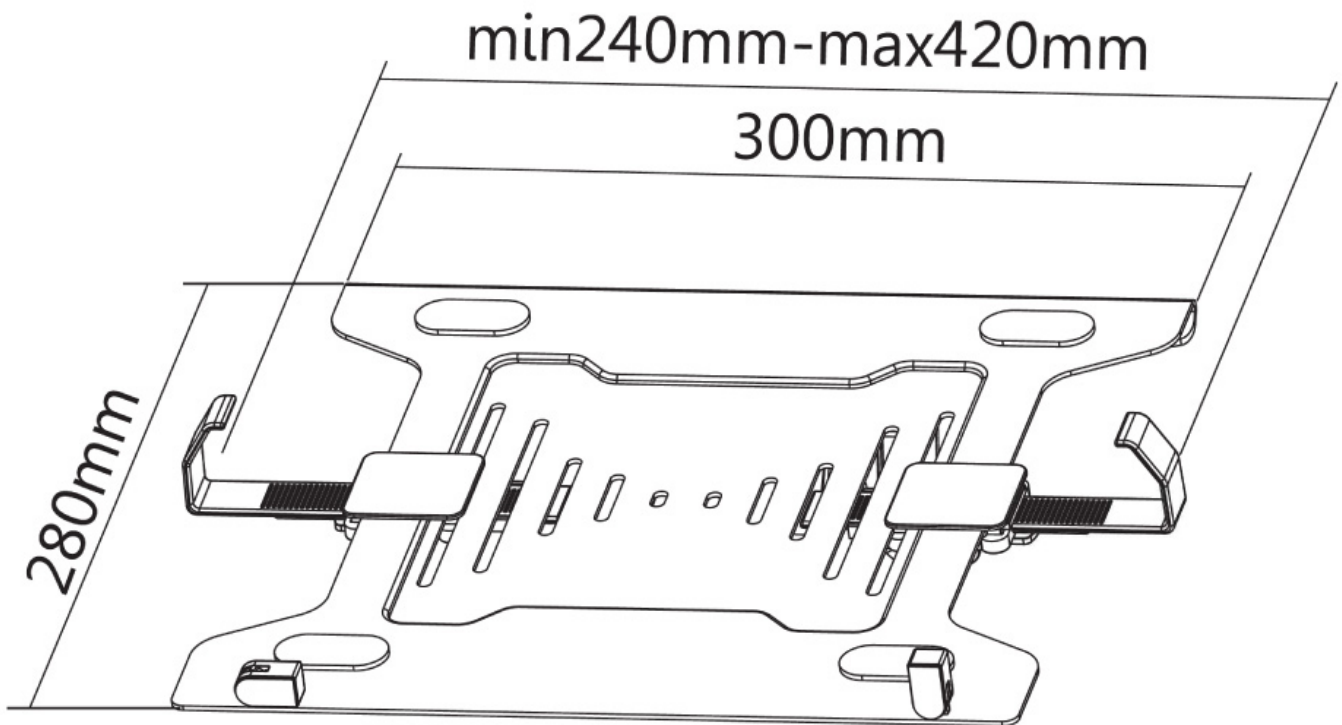
In combination with ceiling-, desk-, or wall mounts this universal bracket becomes a powerful tool allowing tilt, swivel, rotation, height and depth adjustment depending on the selected mount. With VESA75 and VESA100 hole pattern this bracket can be used with most mounts from different brands. Select the best solution for your needs and combine it with Neomounts notebook mount.

The mount has been arranged both for left- and right-handed users. Most notebooks are appropriate on this holder. By using an ergonomic mount neck- and back complaints can be avoided. Ideal for use in offices and on counters or in a reception area.

All installation material is included with the product.

NOTEBOOK-V200

NEOMOUNTS LAPTOP HOLDER



Neomounts