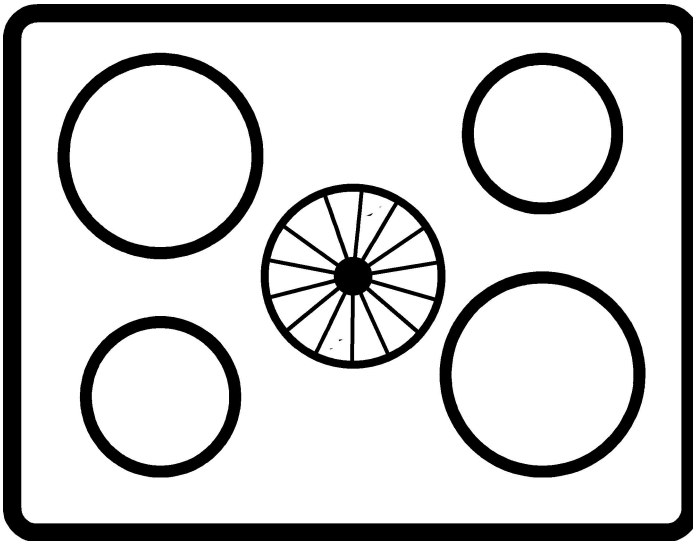


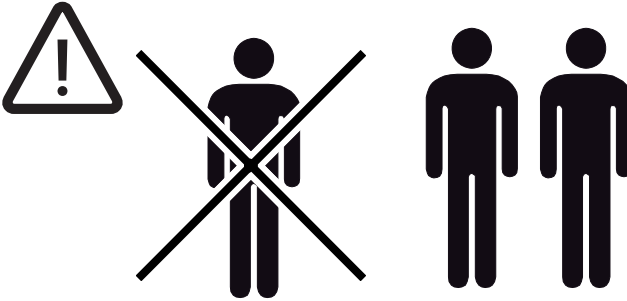
▶ IDK84452IB
IDK84451IB

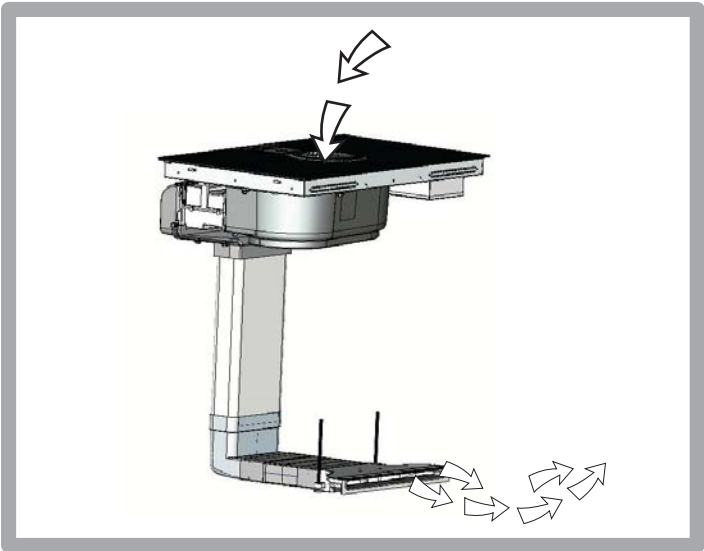
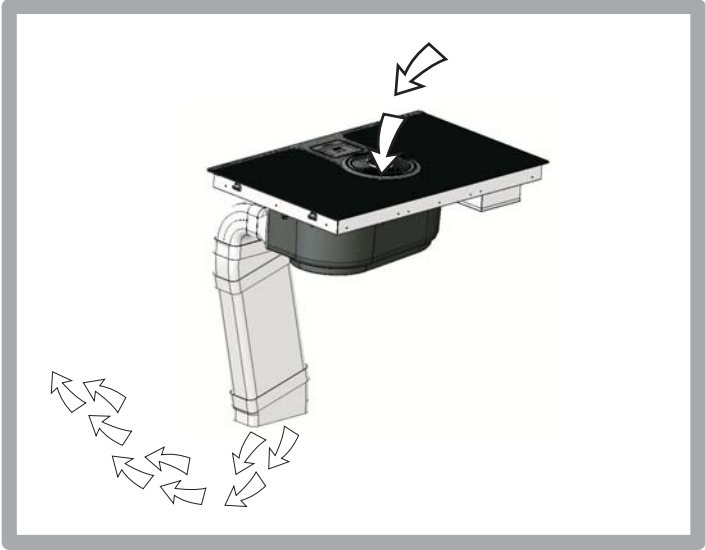
EN Instruction on mounting and use
DE Montage- und Gebrauchsanweisung
DA Bruger- og monteringsvejledning
FI Asennus- ja käyttöohjeet
FR Prescriptions de montage et mode d'emploi
IT Istruzioni di montaggio e d'uso
NL Montagevoorschriften en gebruiksaanwijzingen
NO Instrukser for montering og bruk
SV Monterings- och bruksanvisningar

USER MANUAL



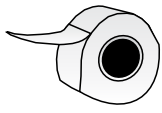
AEG







1x



1x



2,8 m



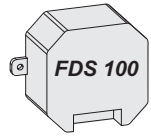
x8



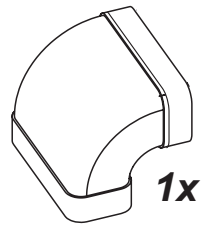
x4



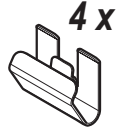
x4



2x



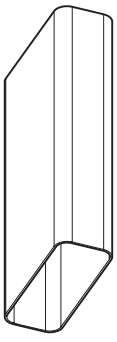
1x



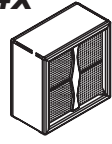
4x



1x



4x



2x

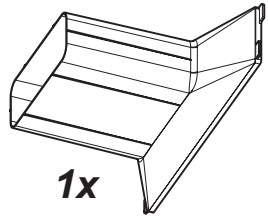


3,5x9,5mm

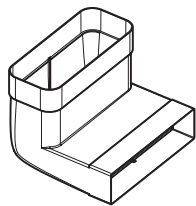
2x



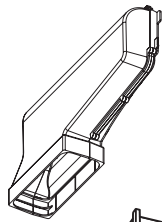
1x



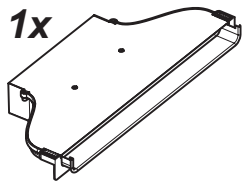
1x



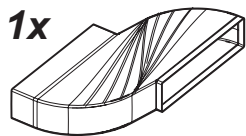
1x



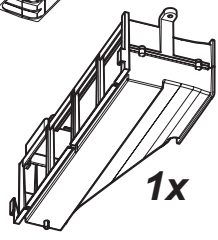
1x



1x



1x

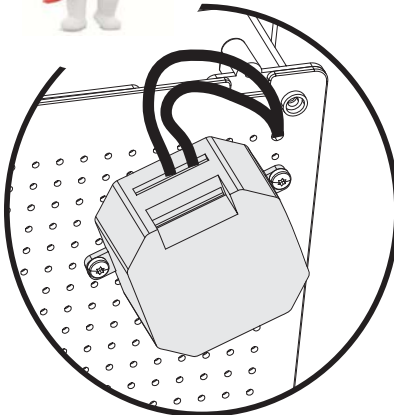
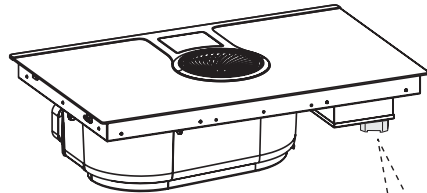
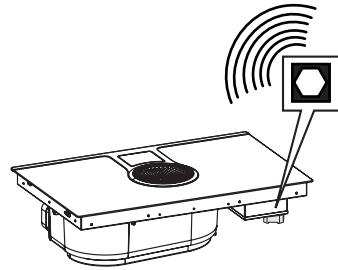
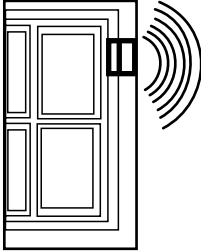


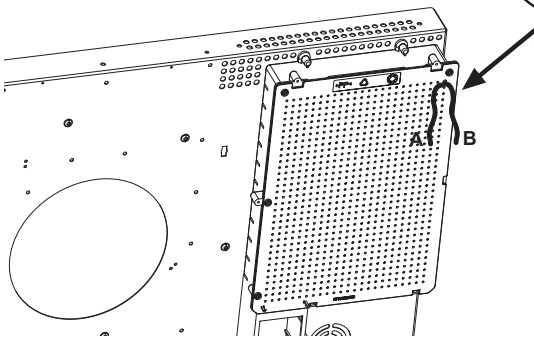
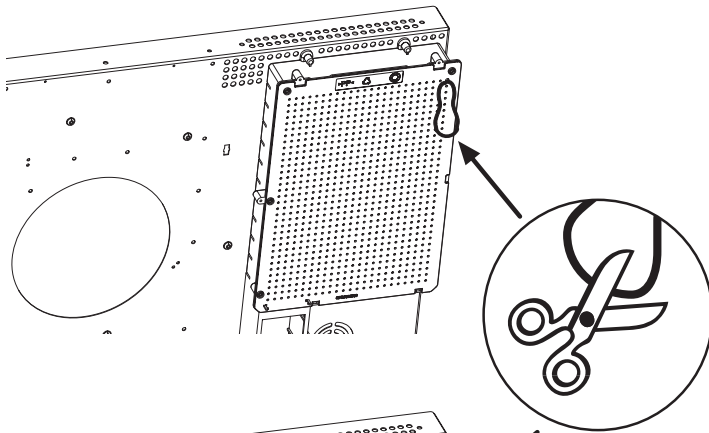
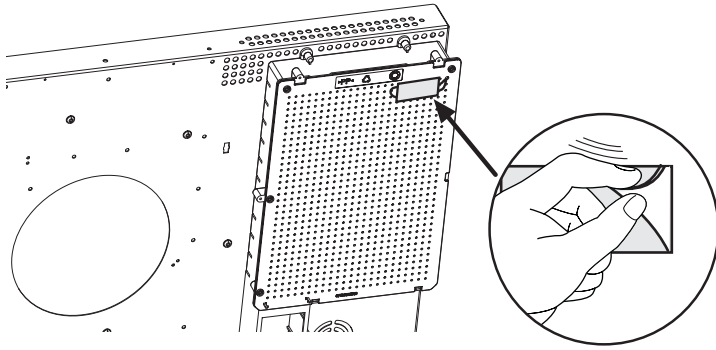


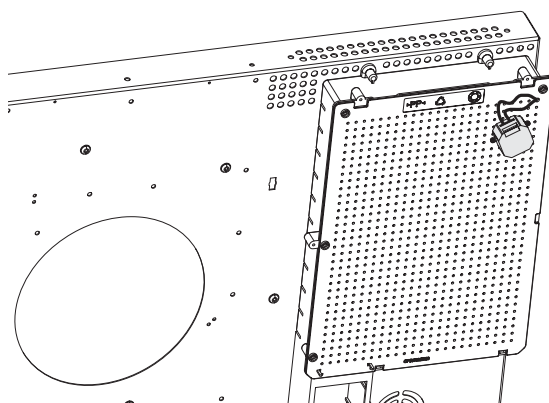
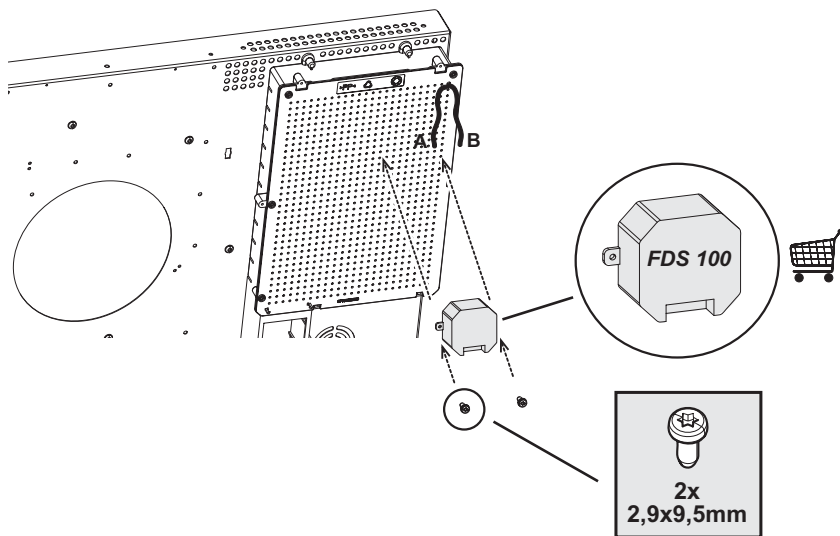
KIT FDS 100

ELEKTROTECHNIK
SCHABUS ES

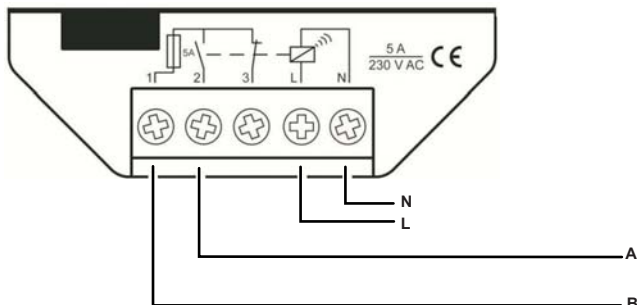
www.elektrotechnik-schabus.de

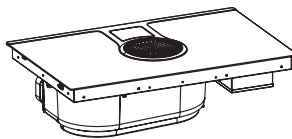
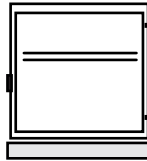
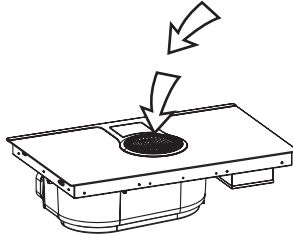
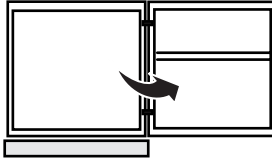


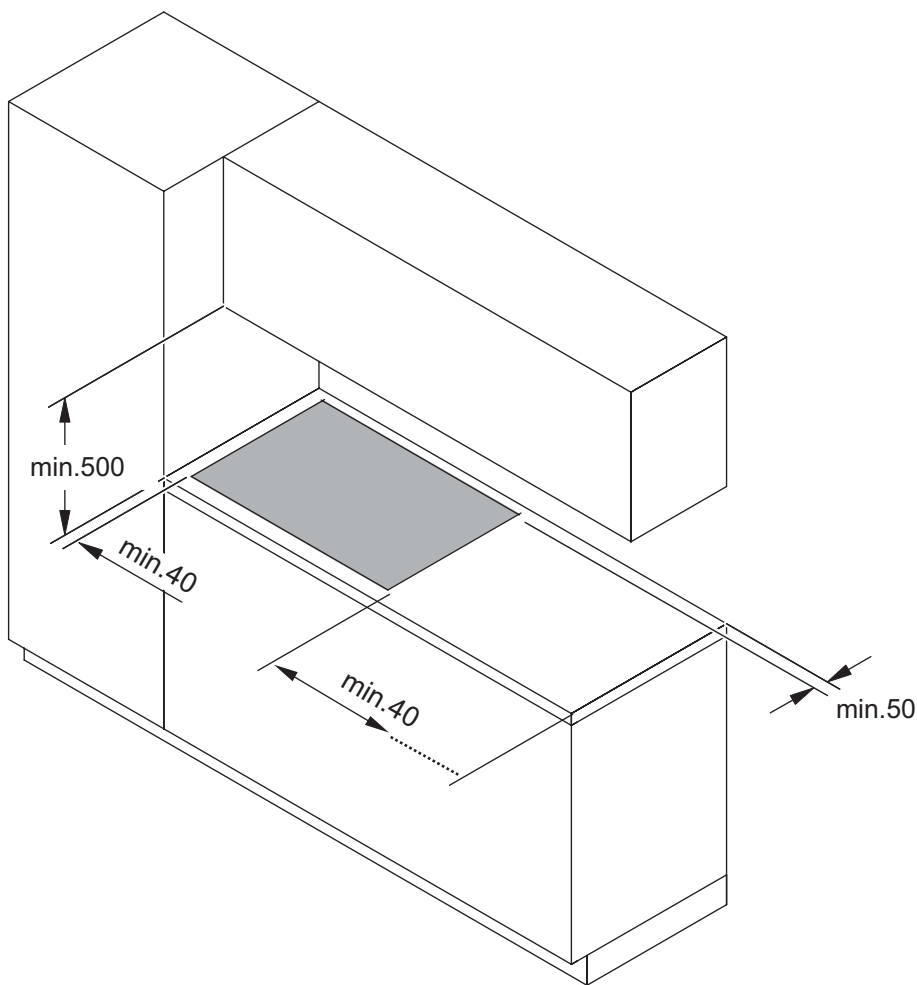




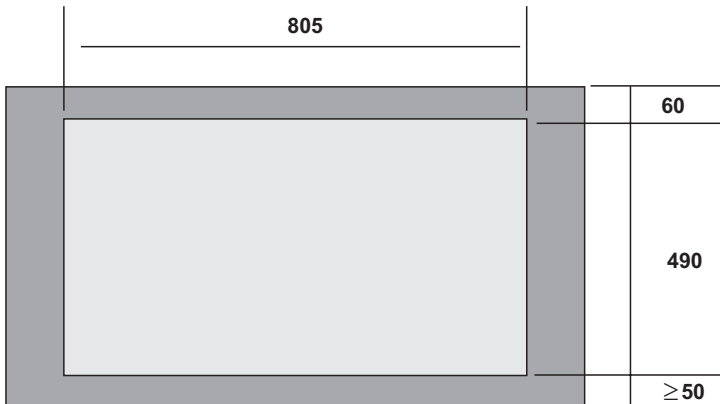
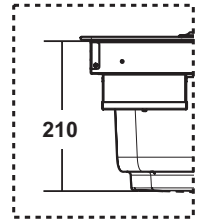
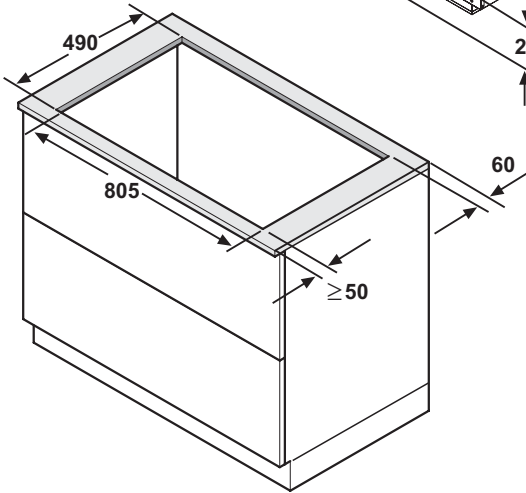
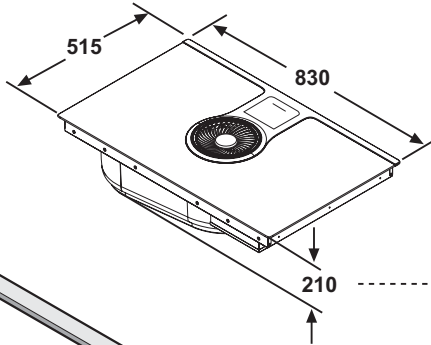
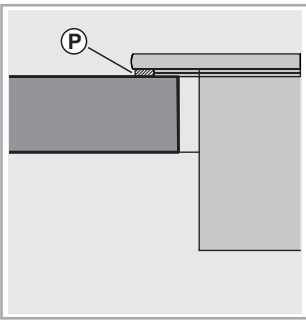
FDS100





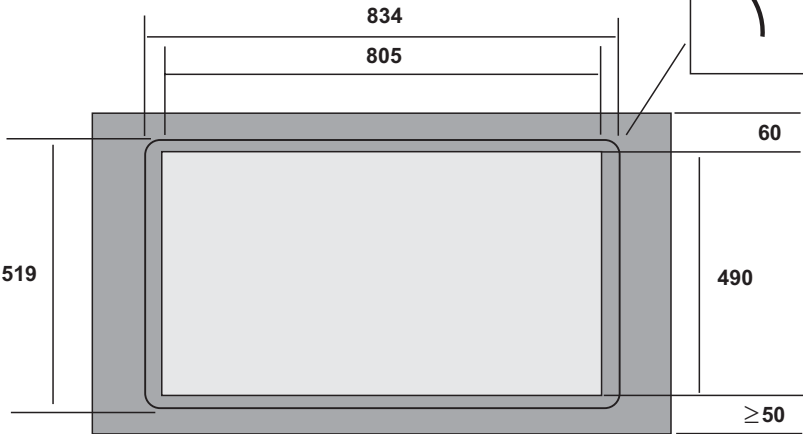
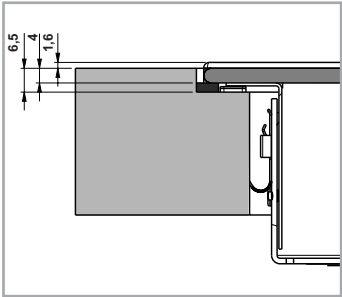
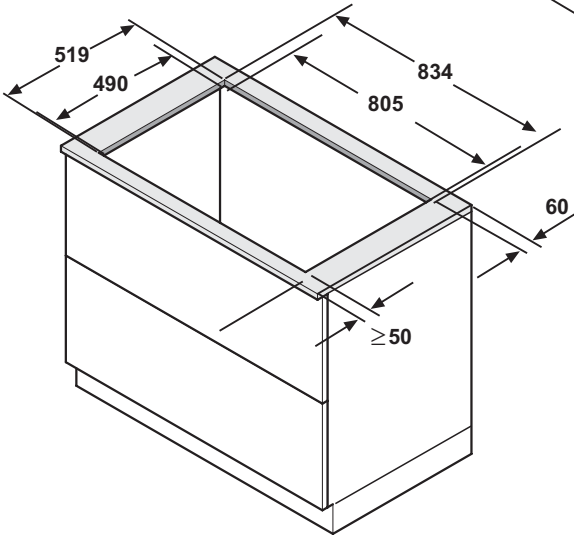
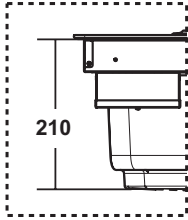
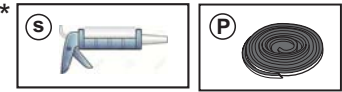
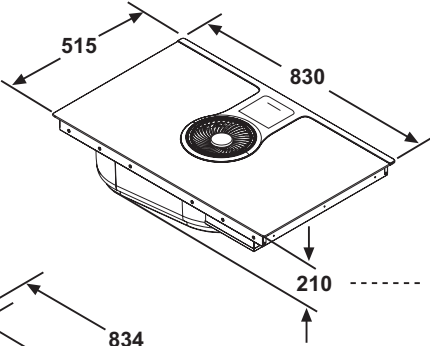
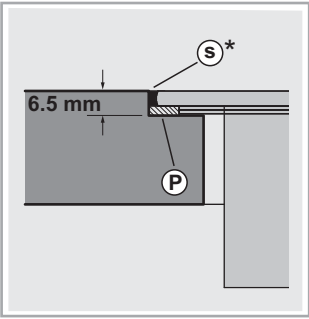


inst. **A**

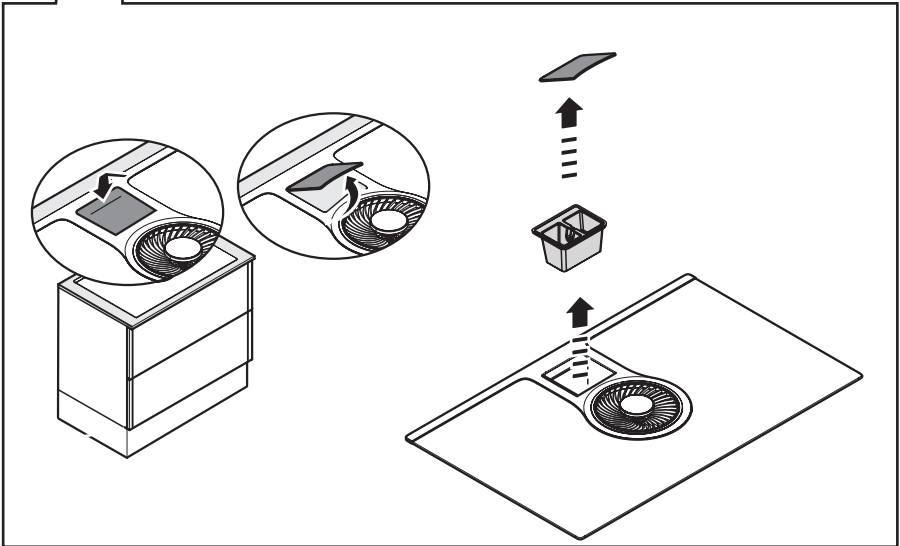
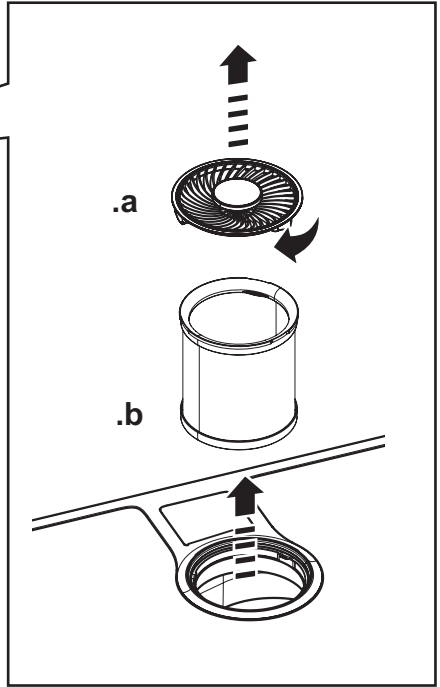
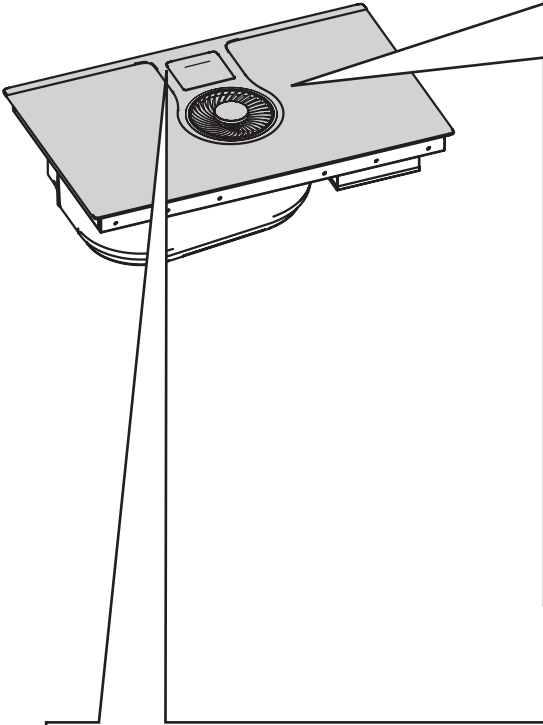


1a

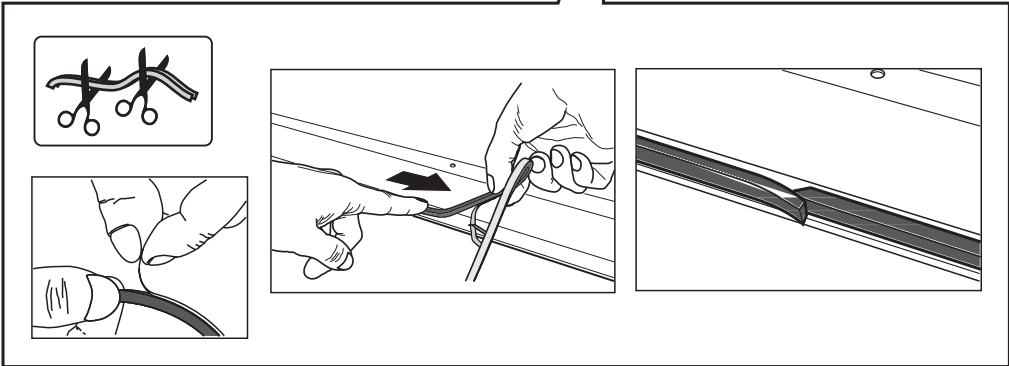
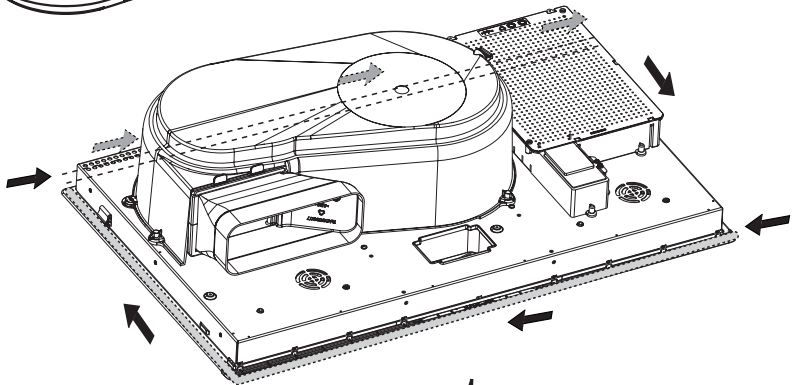
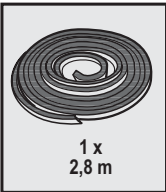
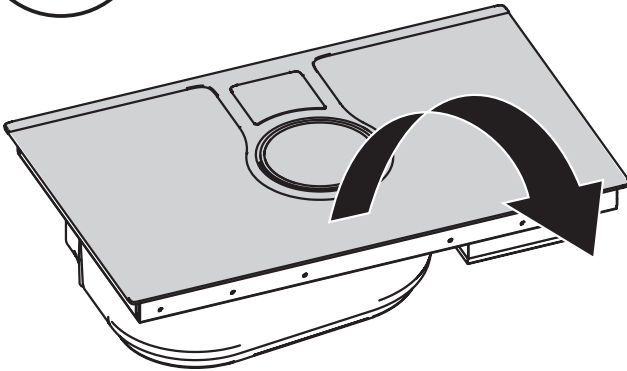
inst. **B**



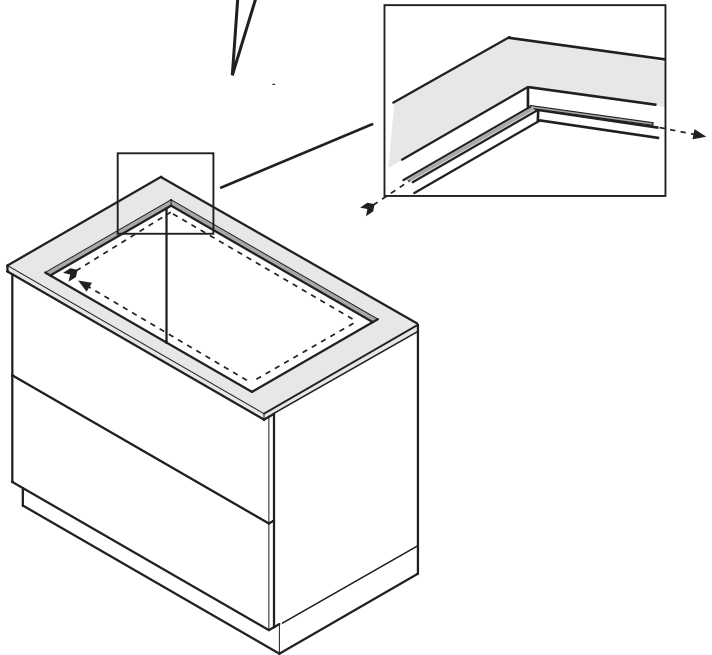
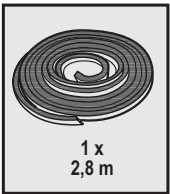
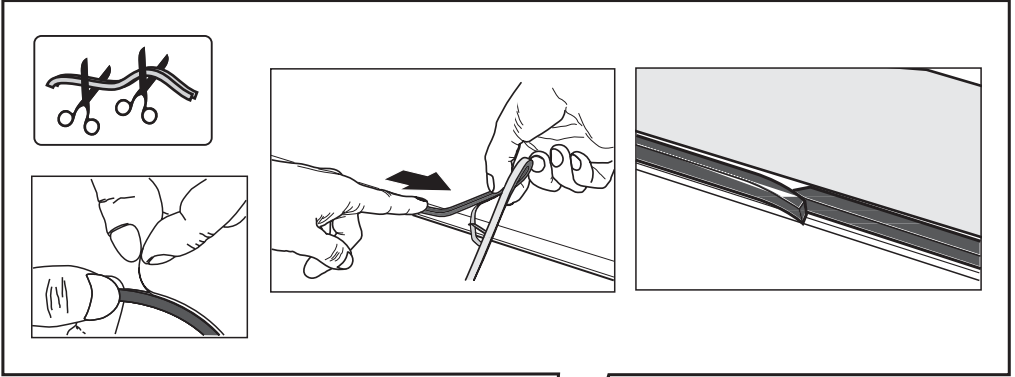
1b



inst. **A**

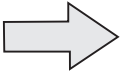


inst. **B**



OPTIONAL CONNECTION

**220V-240V ~
50Hz/60Hz**



.a

.b

**380V-415V ~
50Hz/60Hz**

2N~

OK!

.c

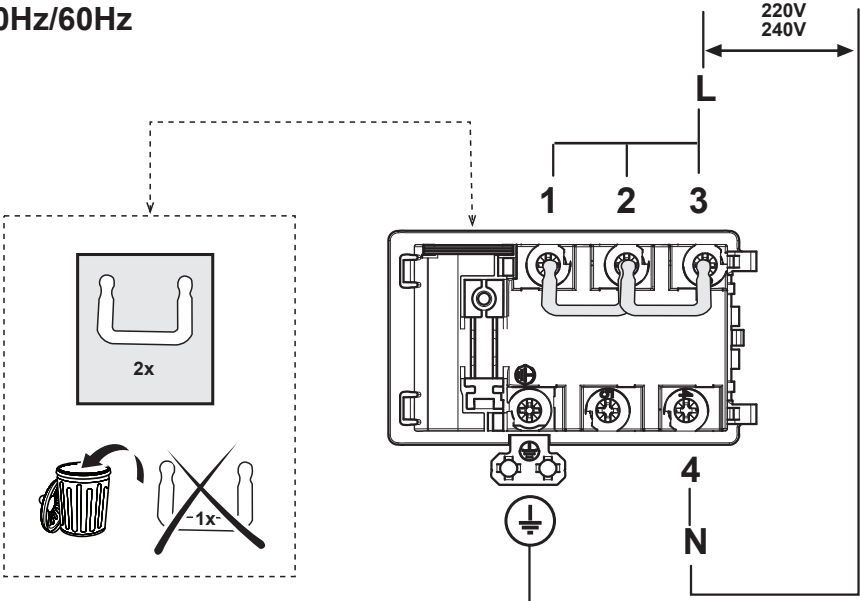
**380V-415V ~
50Hz/60Hz**

3N~

OK!

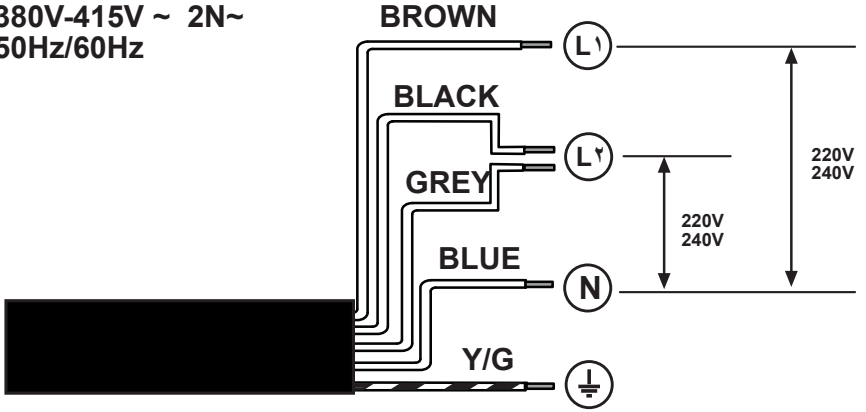
3

**220V-240V ~
50Hz/60Hz**



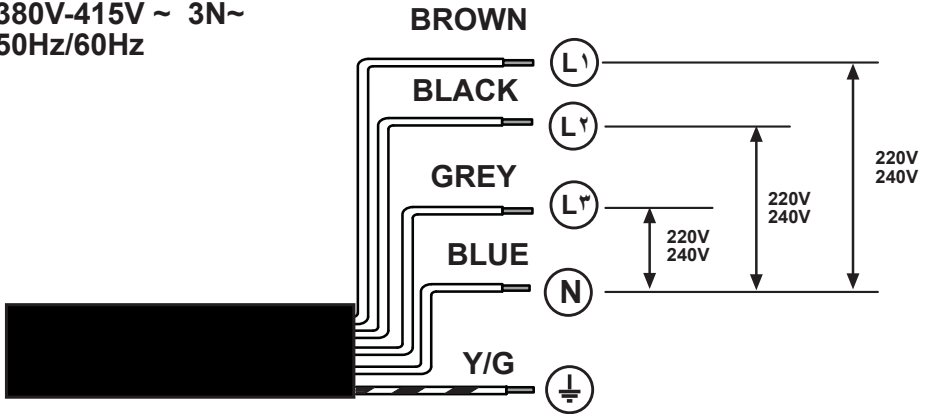
.a

380V-415V ~ 2N~
50Hz/60Hz

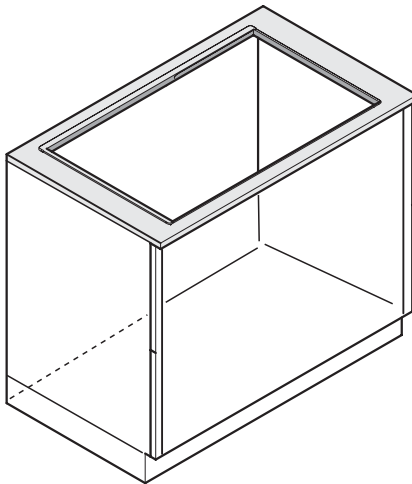
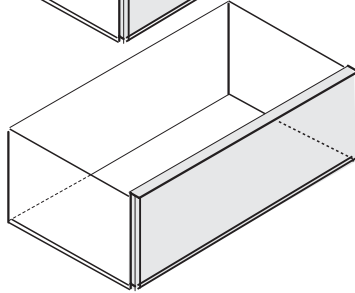
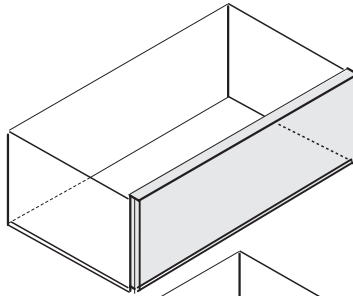
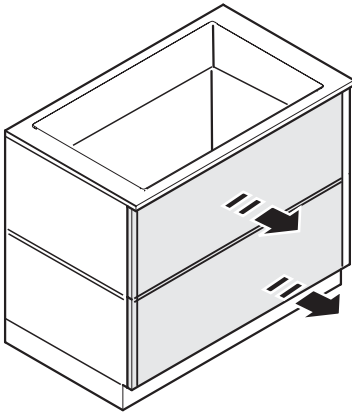


.b

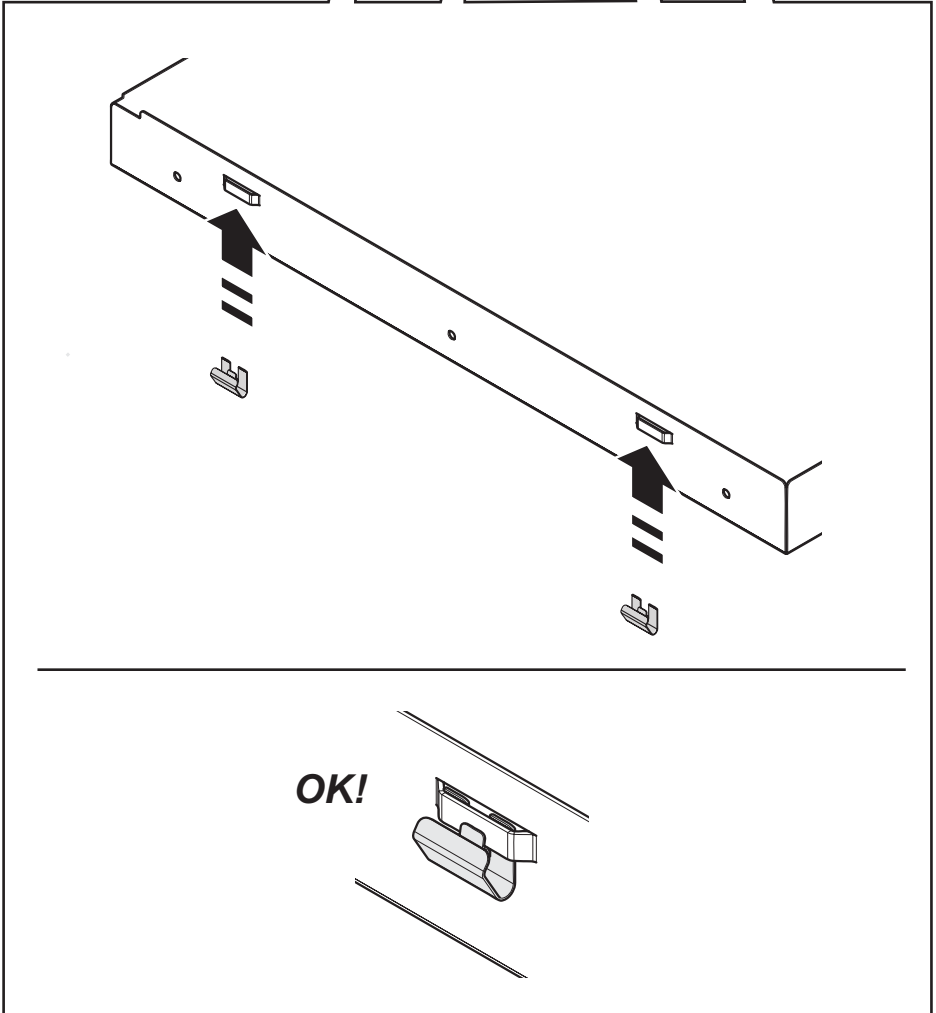
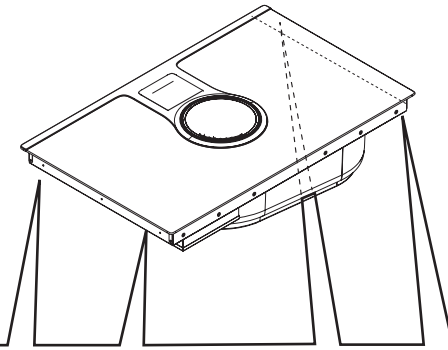
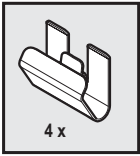
380V-415V ~ 3N~
50Hz/60Hz

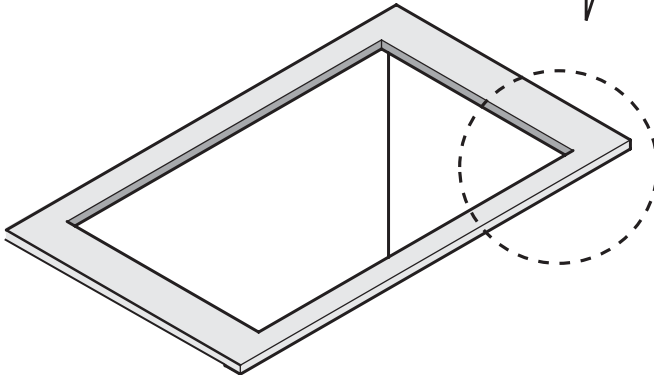
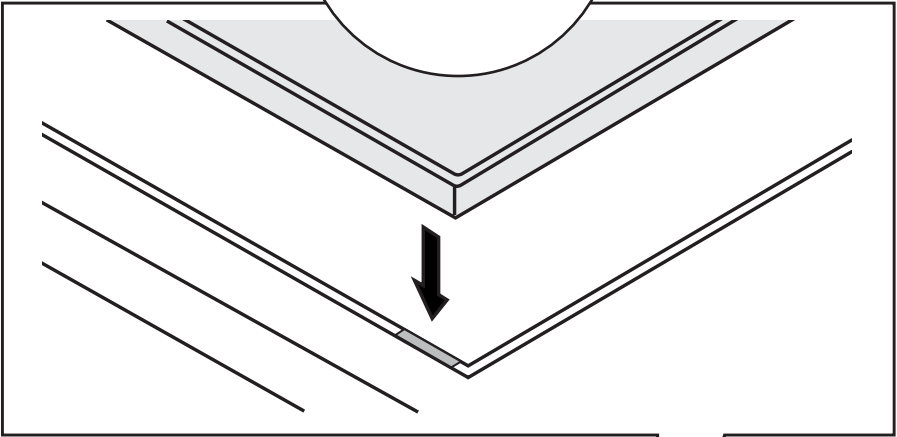
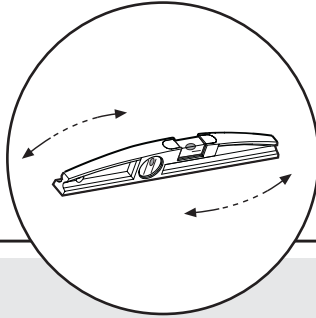
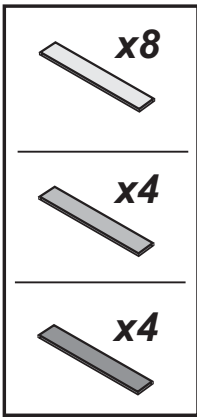


.c

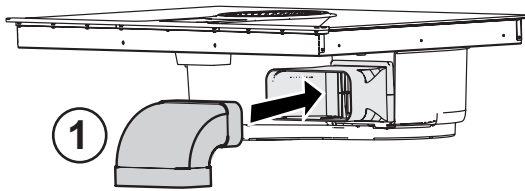


OK!

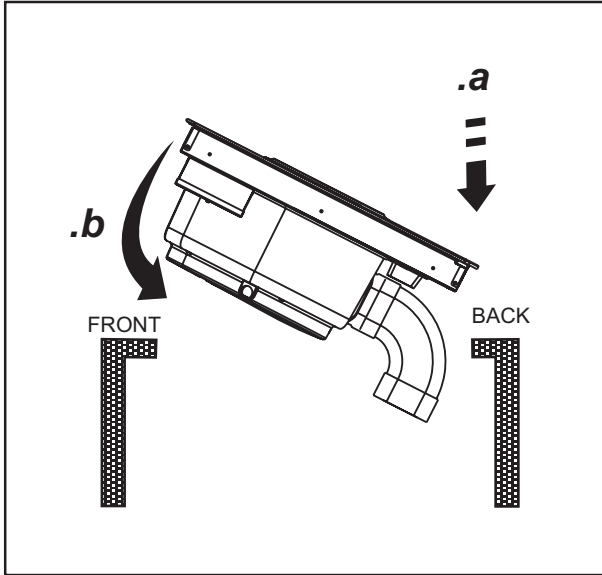




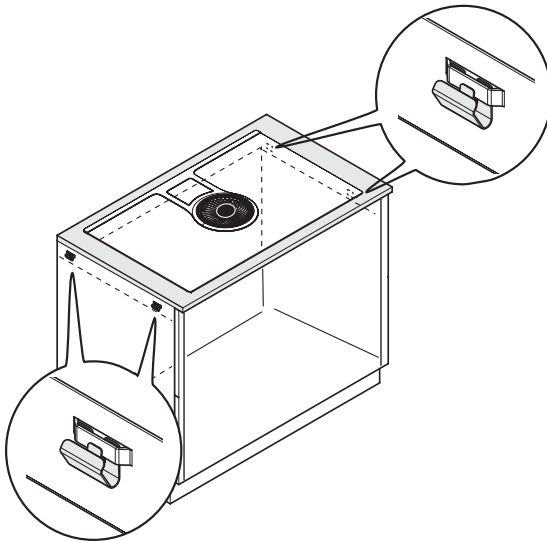




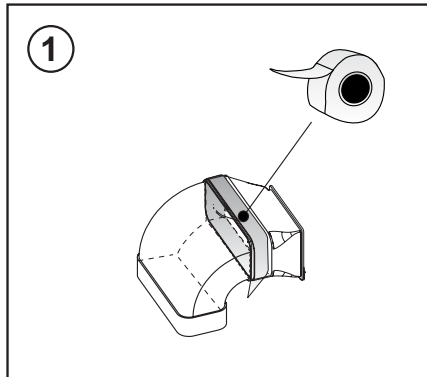
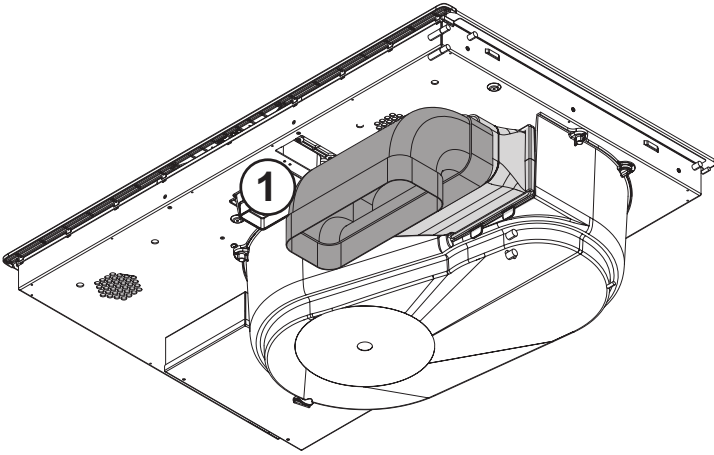
7a.1

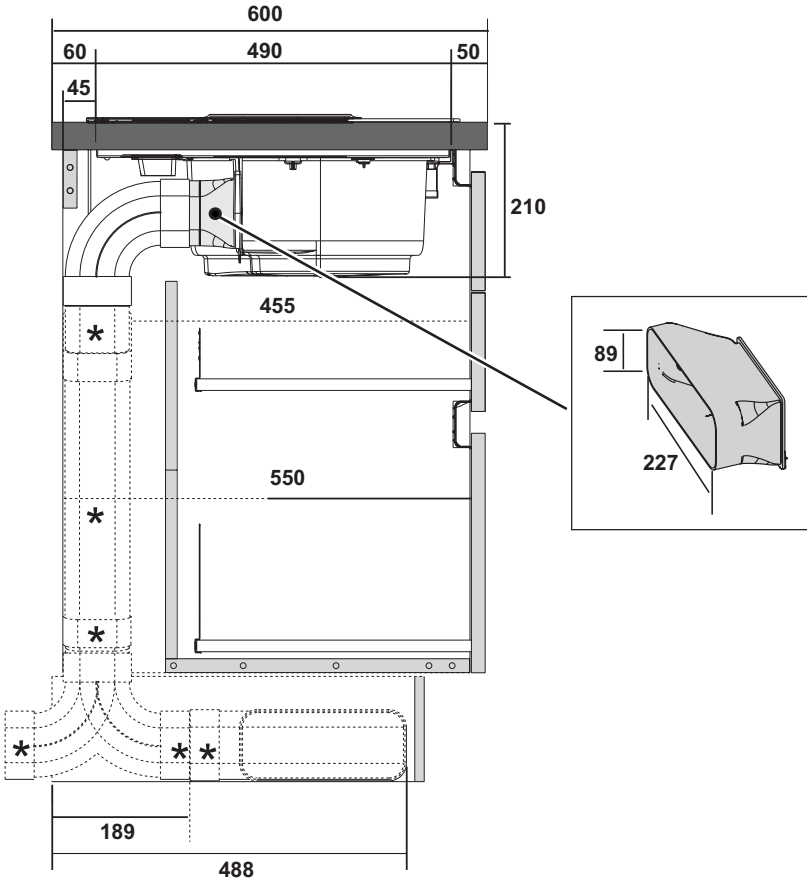


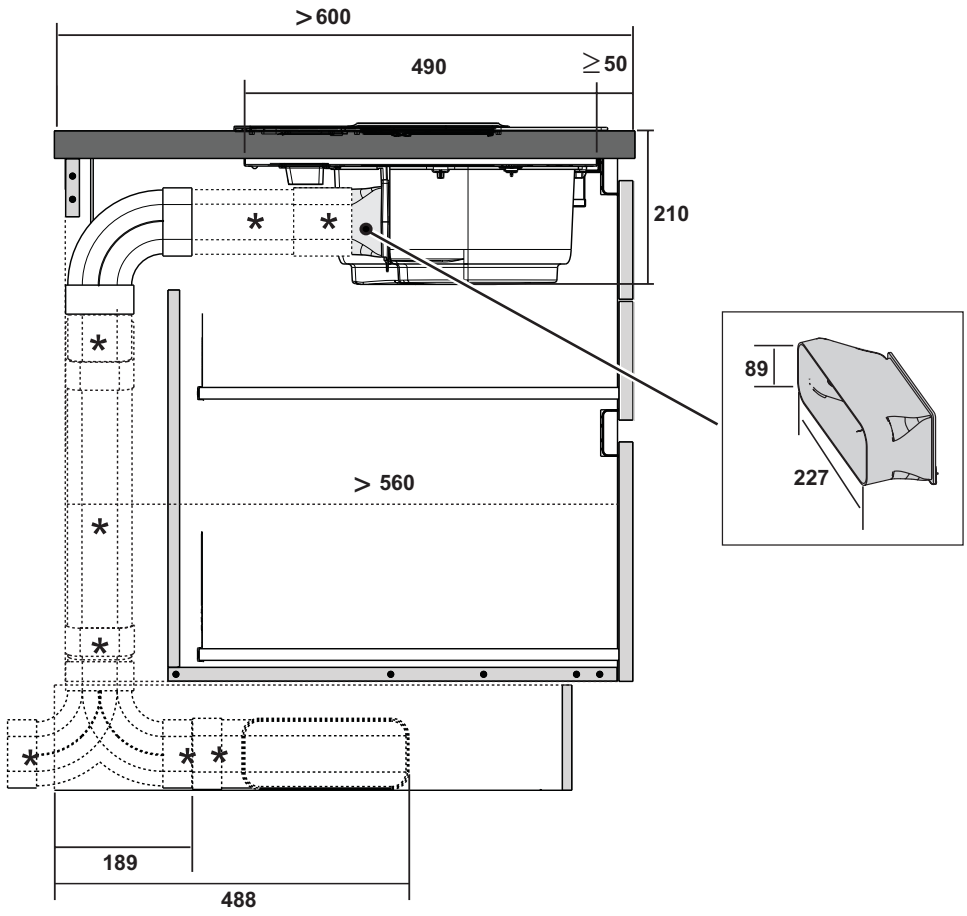
7a.2

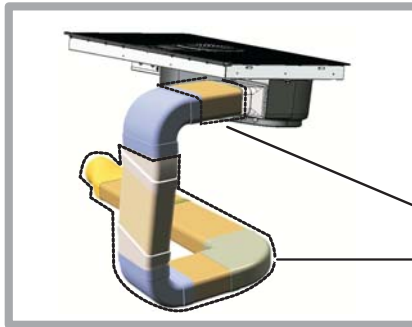
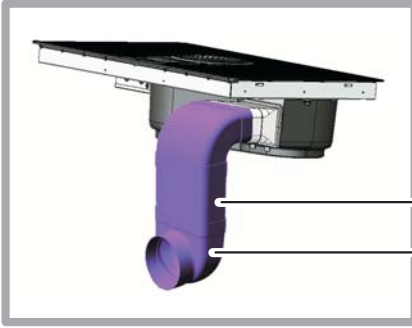
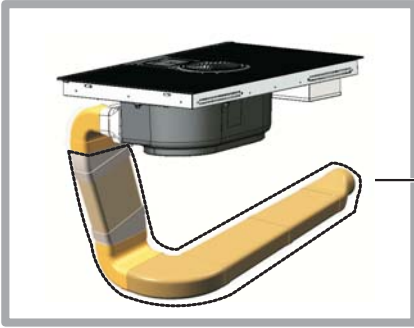


7a.3

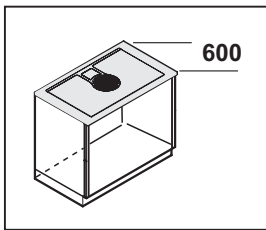




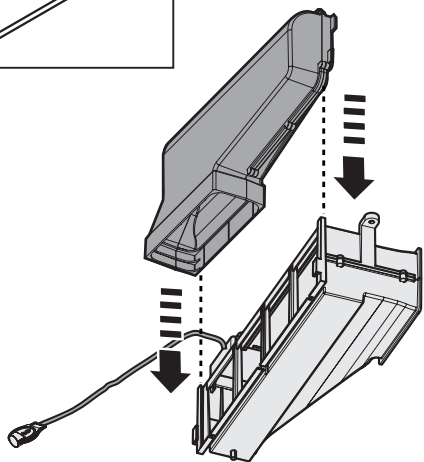




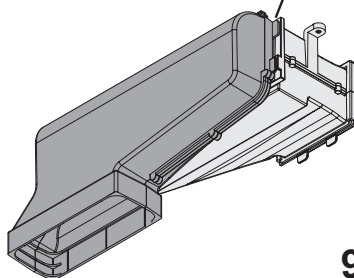
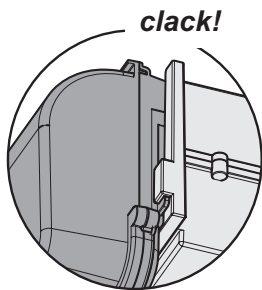




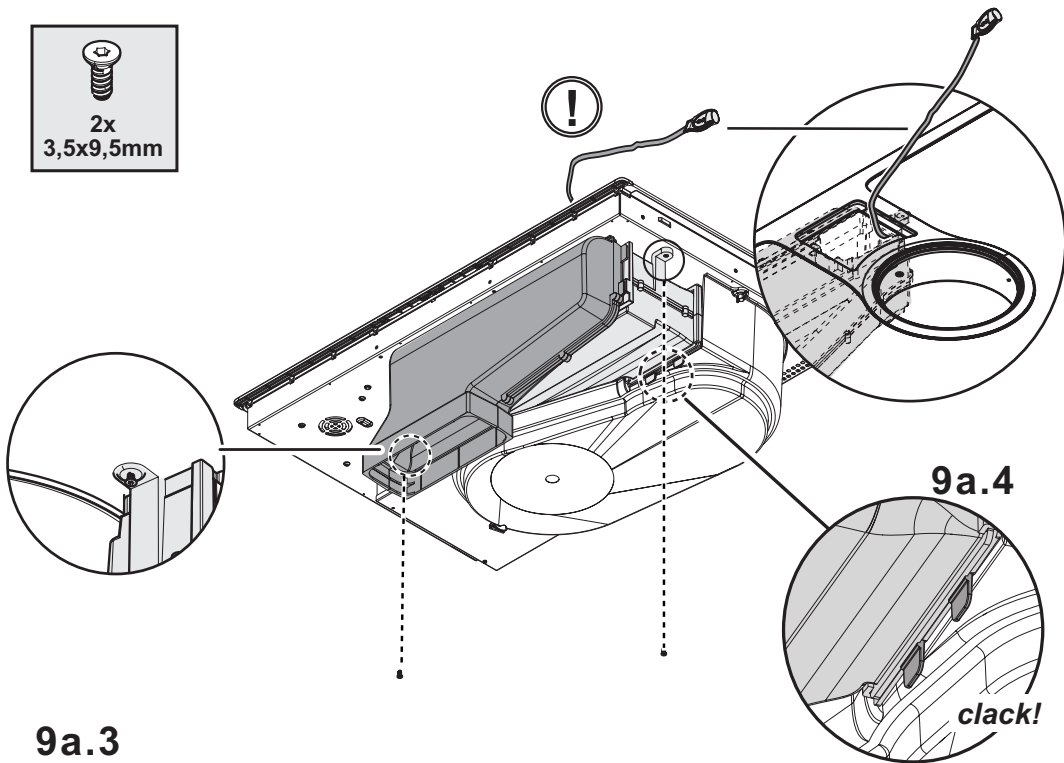
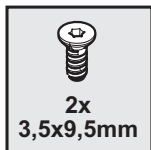
9a



9a.1



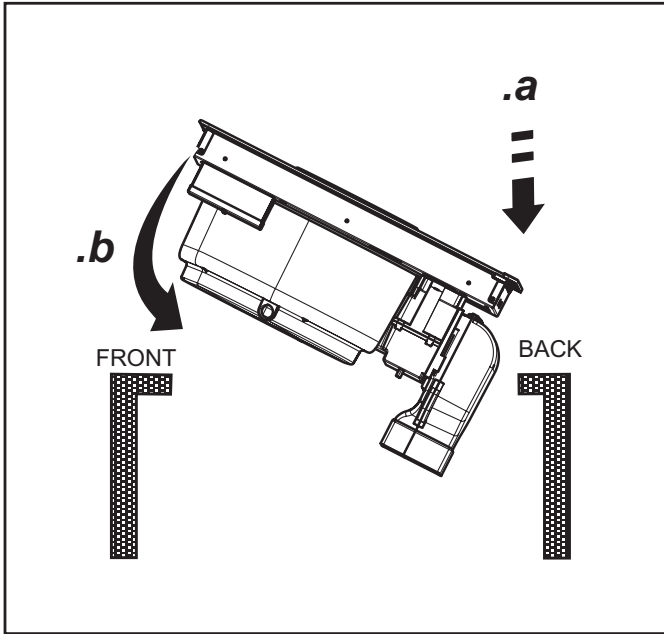
9a.2



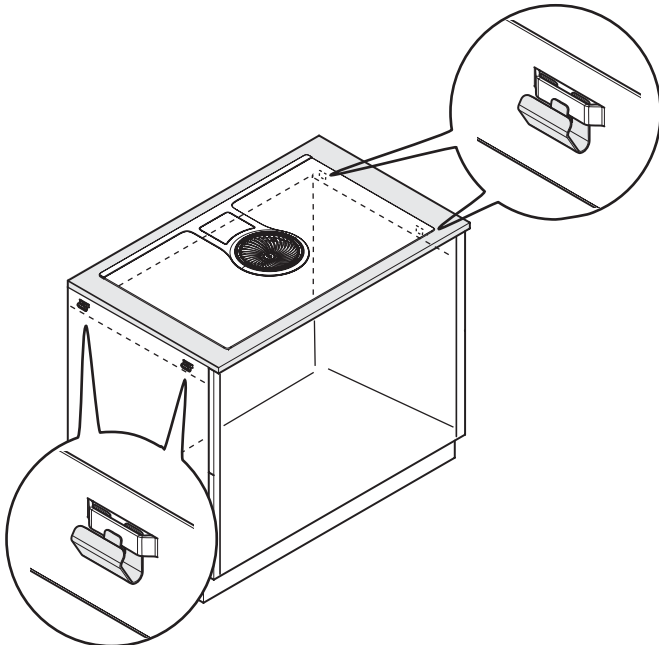
9a.3

9a.4

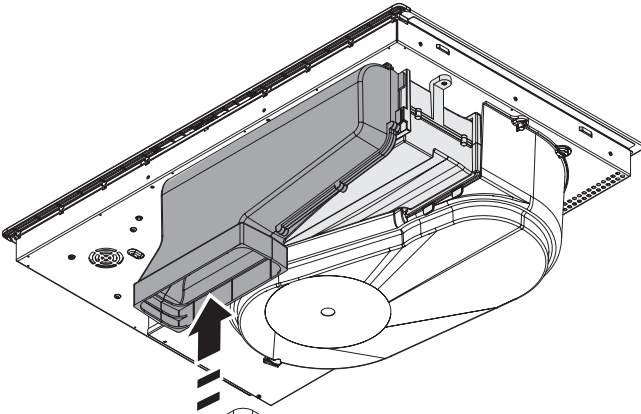
clack!



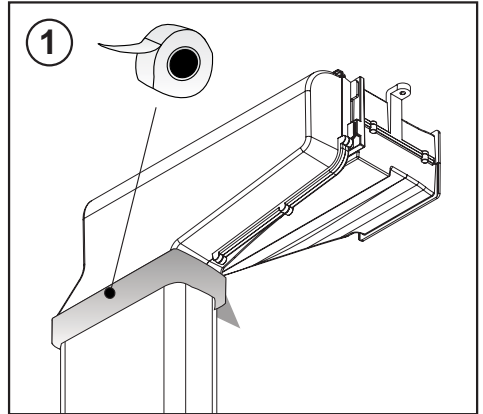
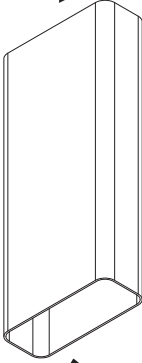
9a.4



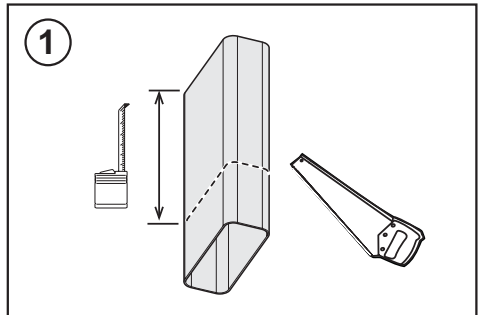
9a.5



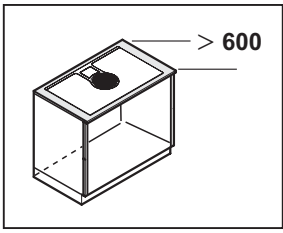
1



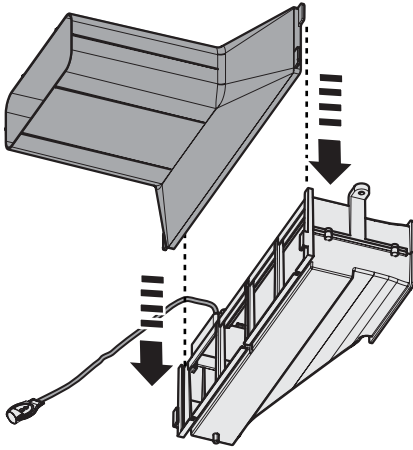
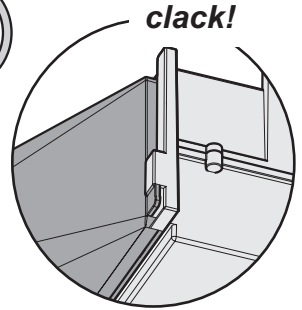
1



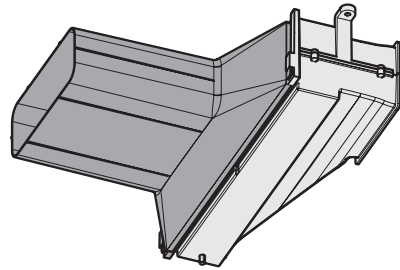
1



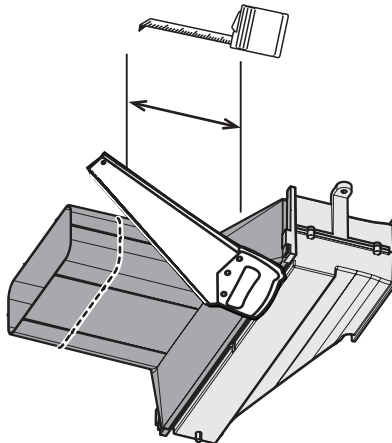
9b



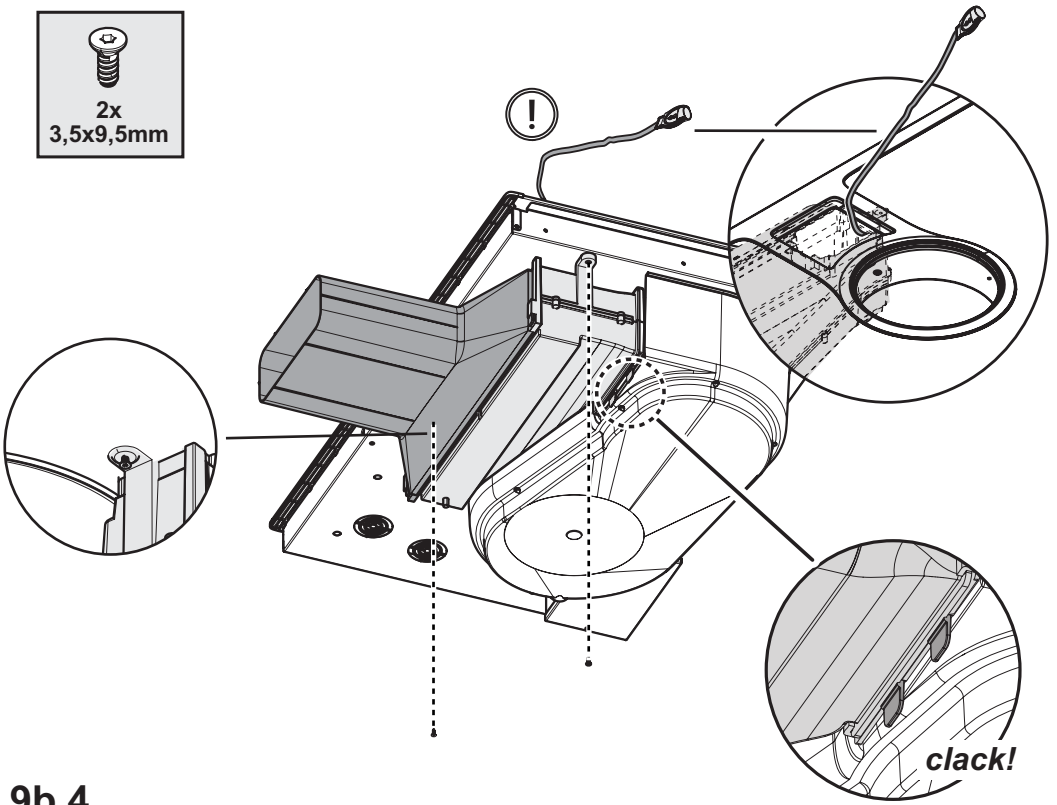
9b.1



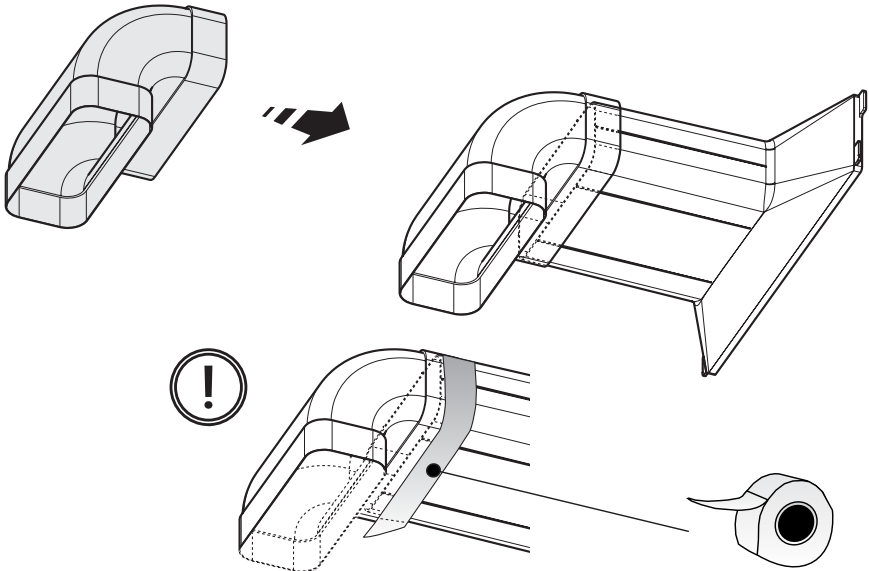
9b.2



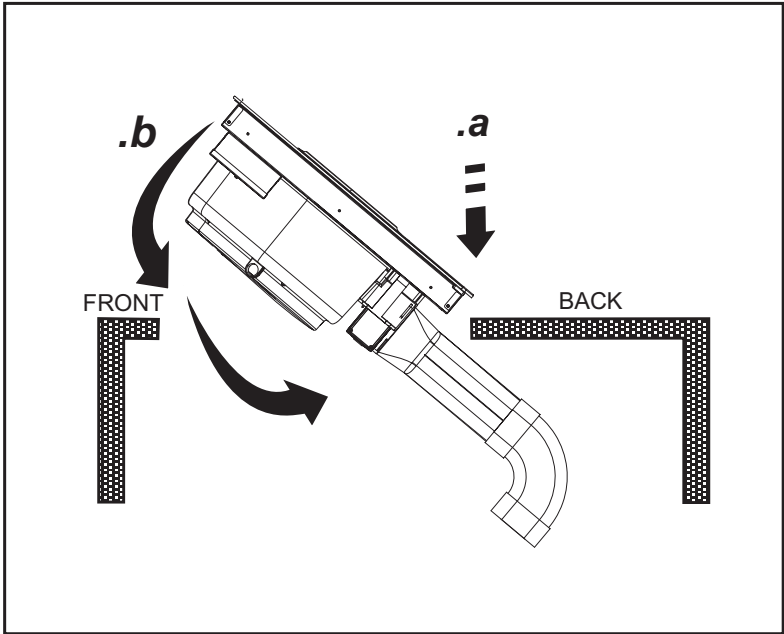
9b.3



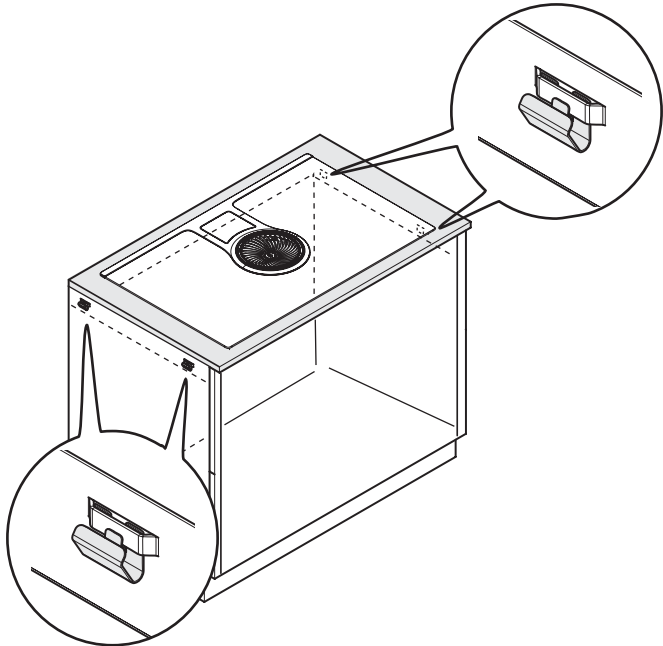
9b.4



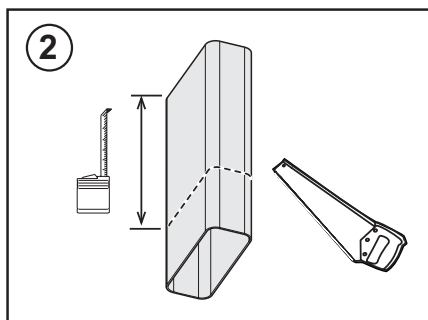
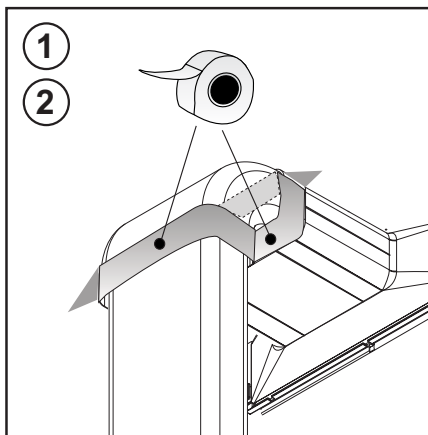
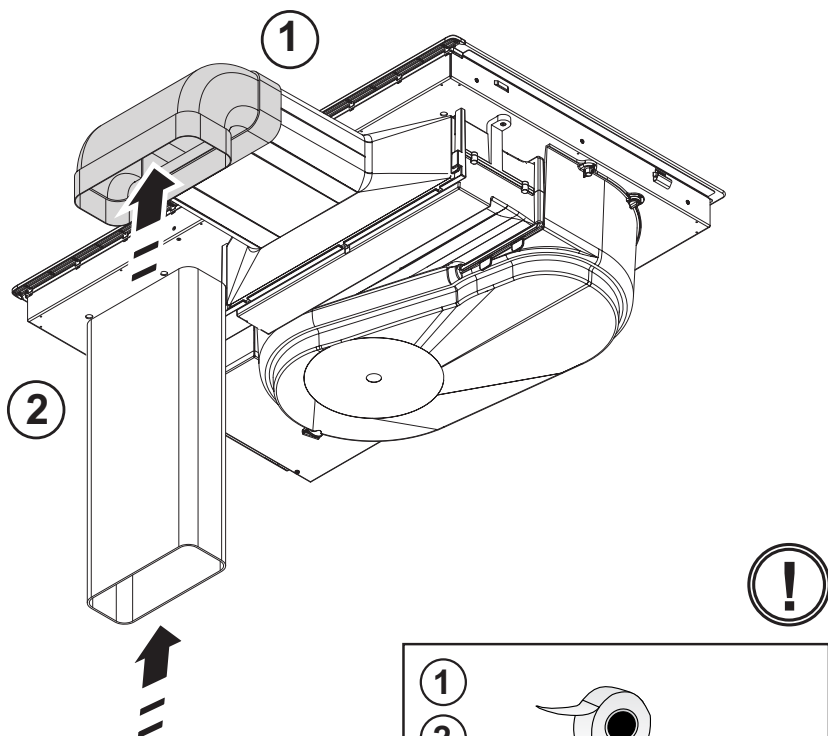
9b.5

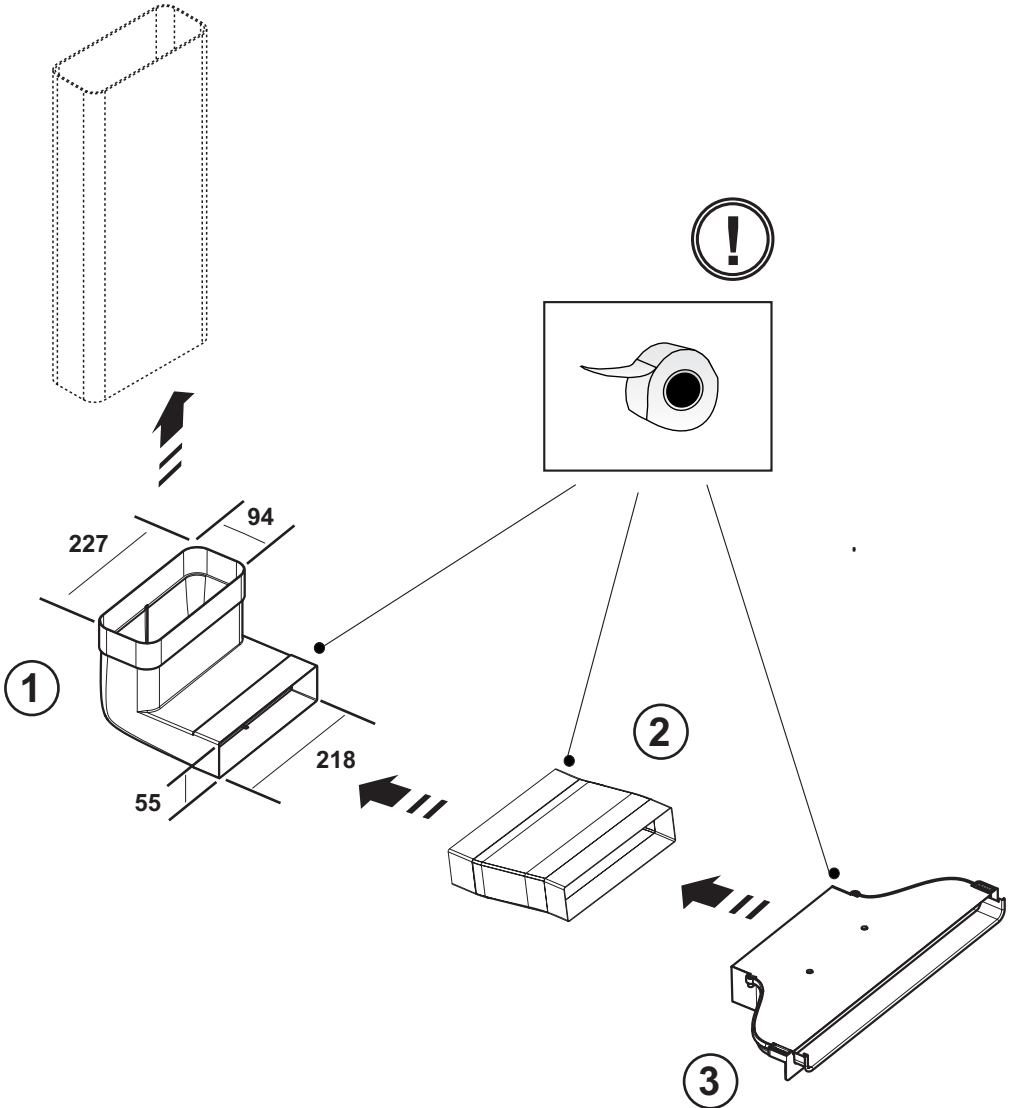
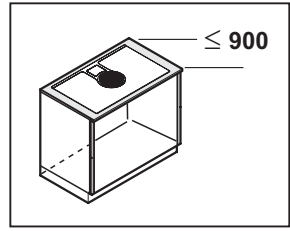


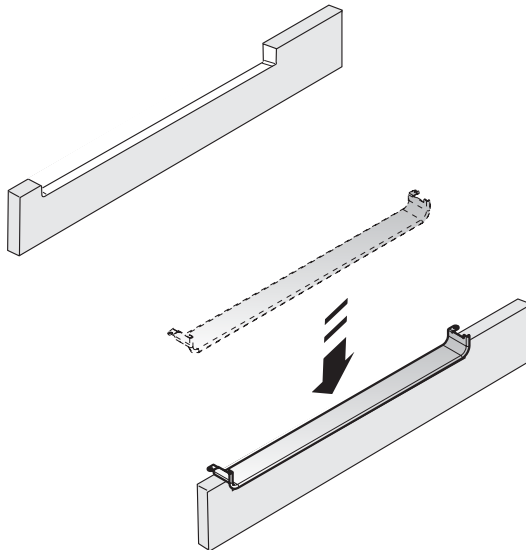
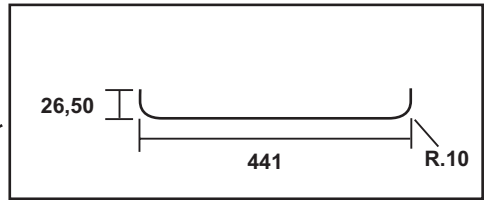
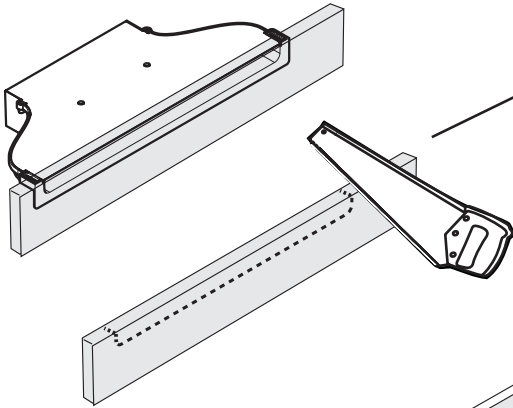
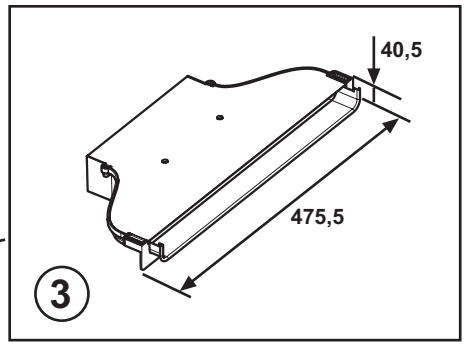
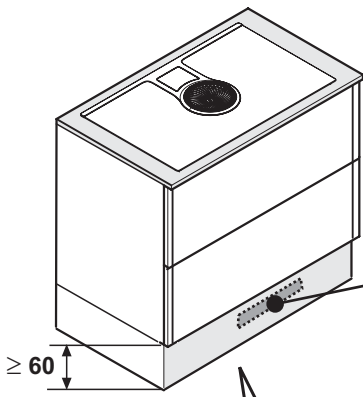
9b.6

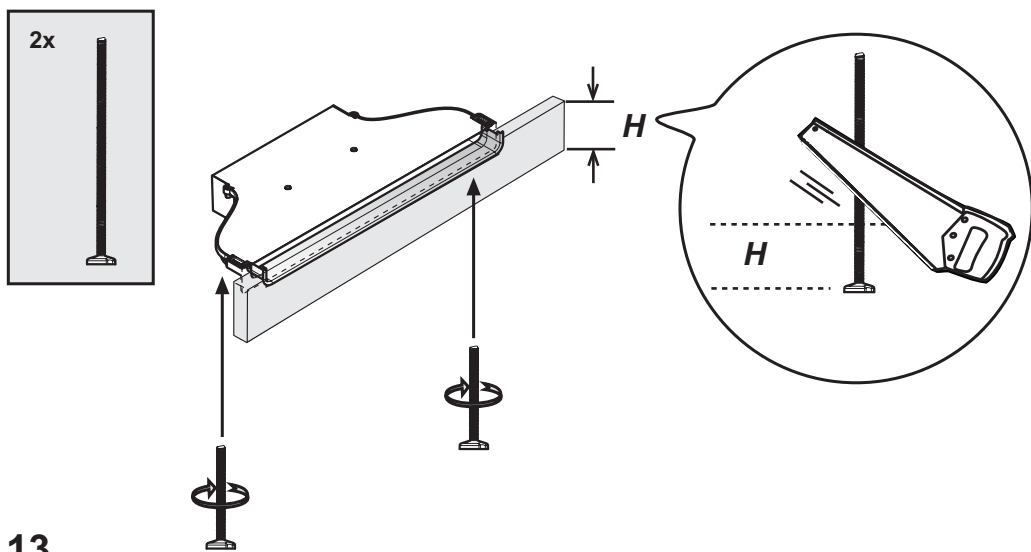
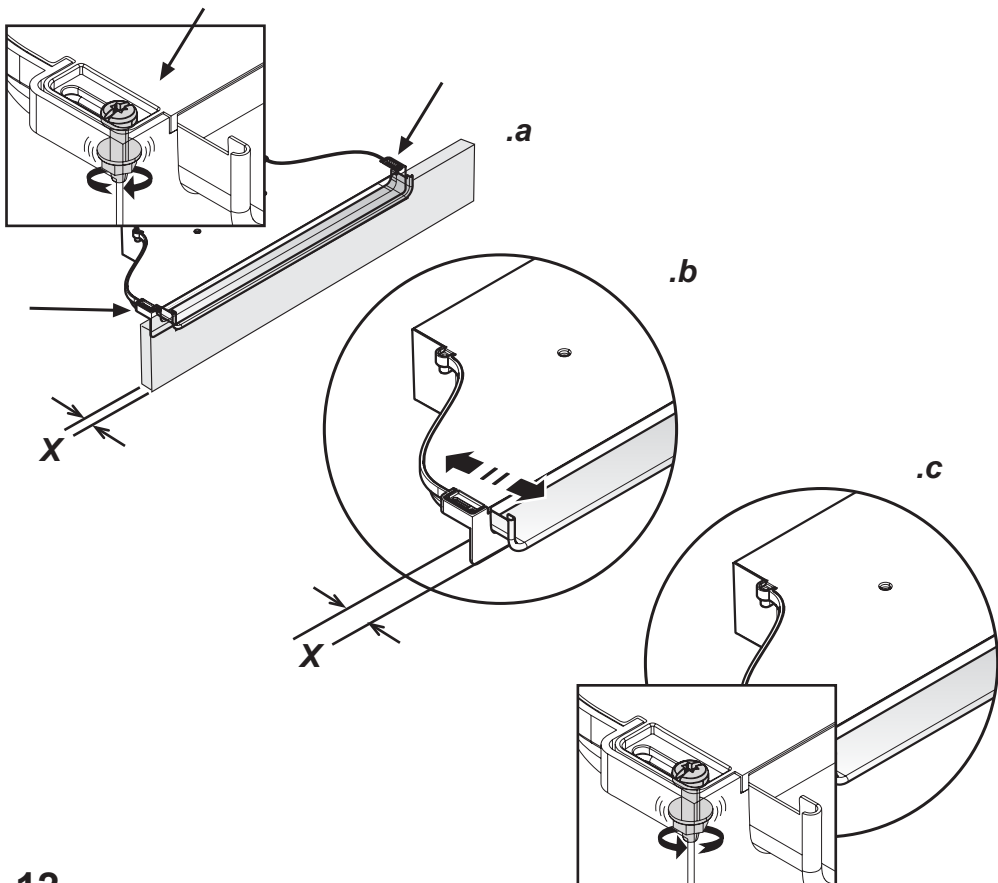


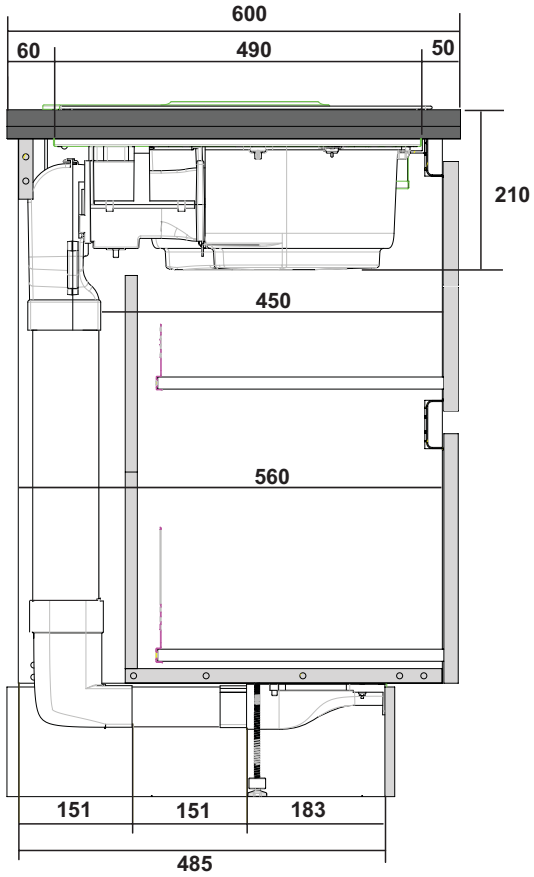
9b.7

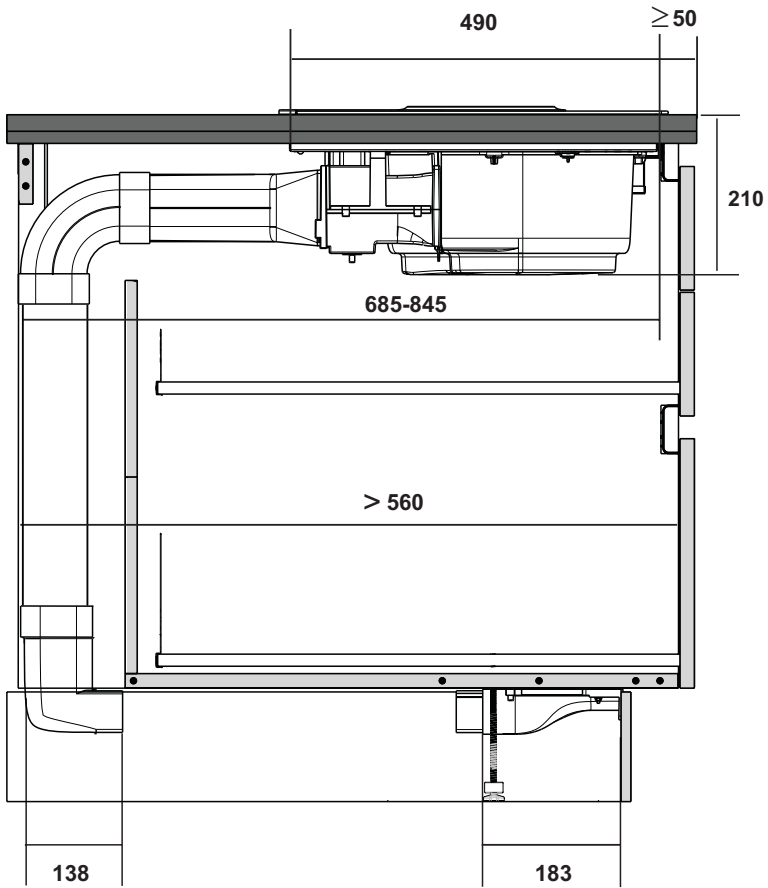


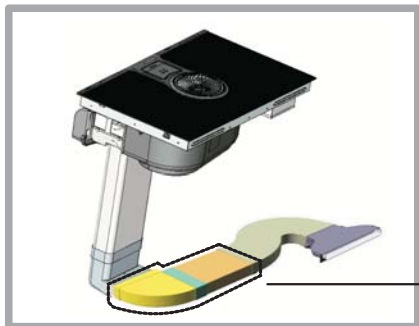
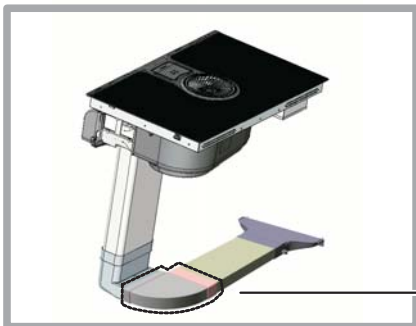








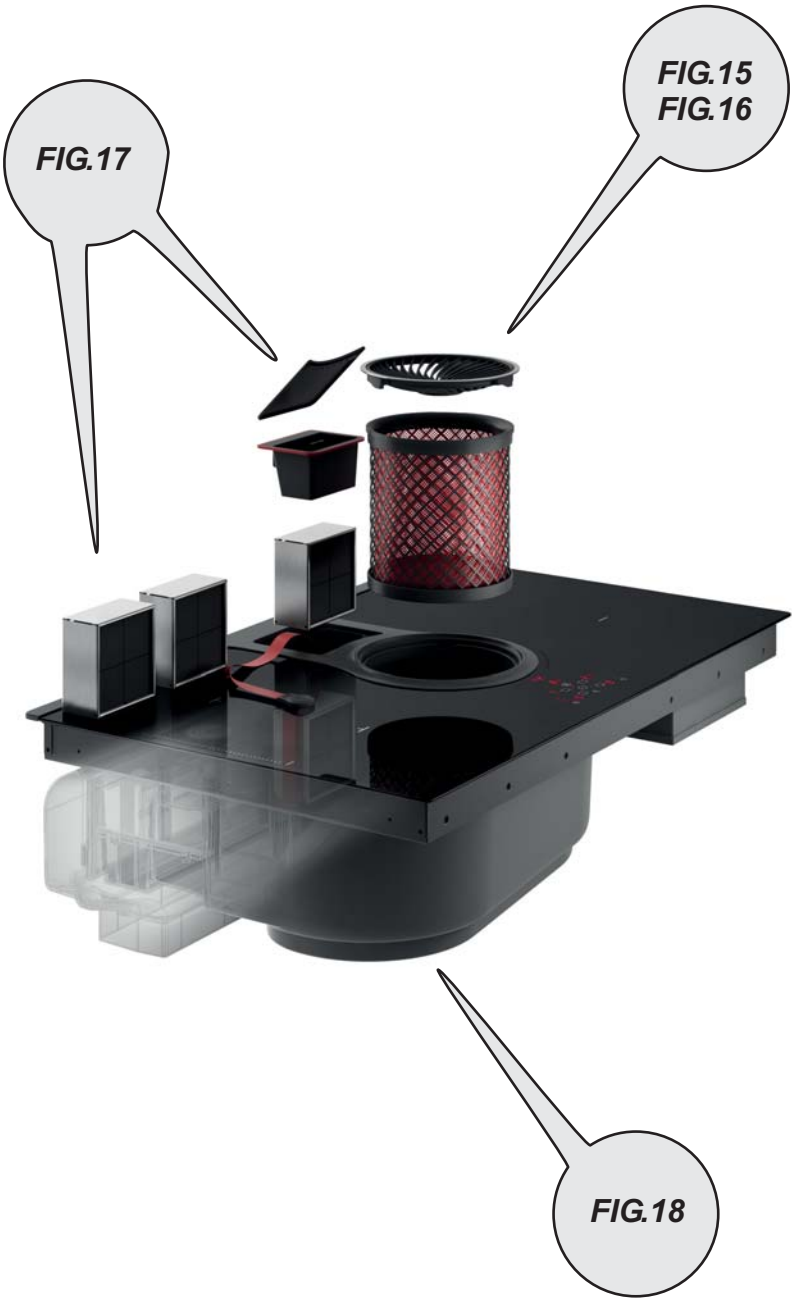




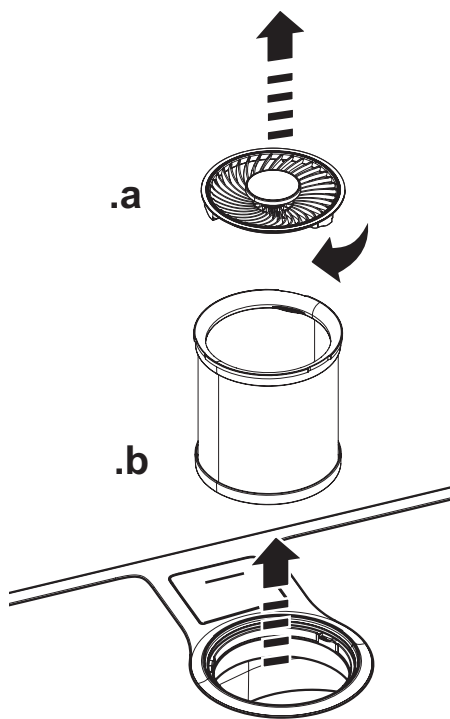
OK!



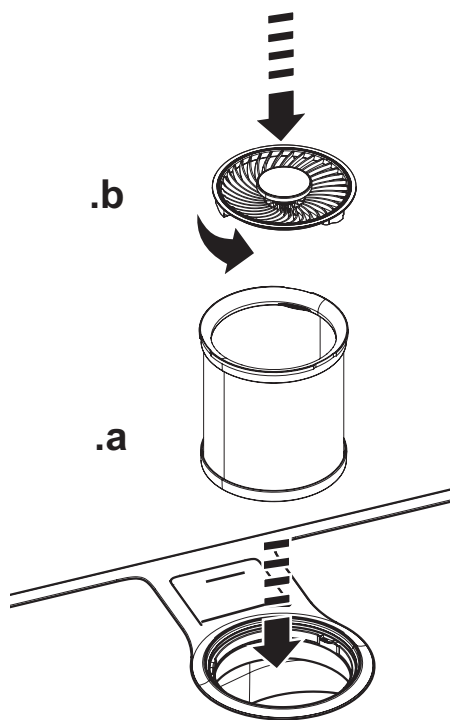
OK!

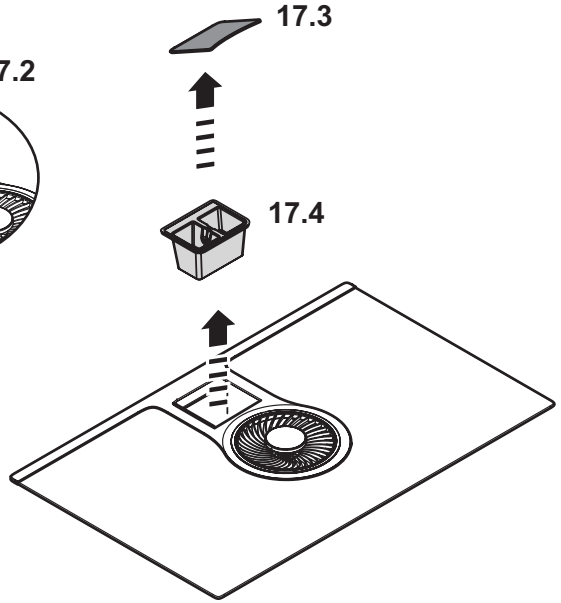
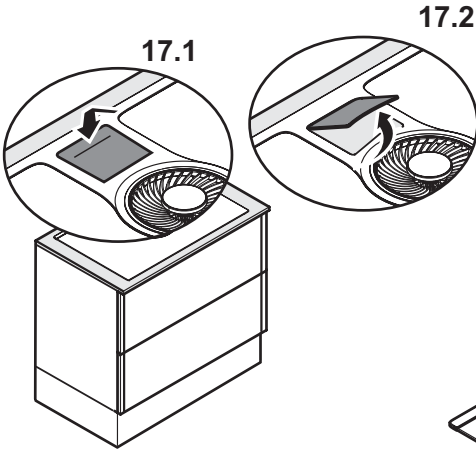


15

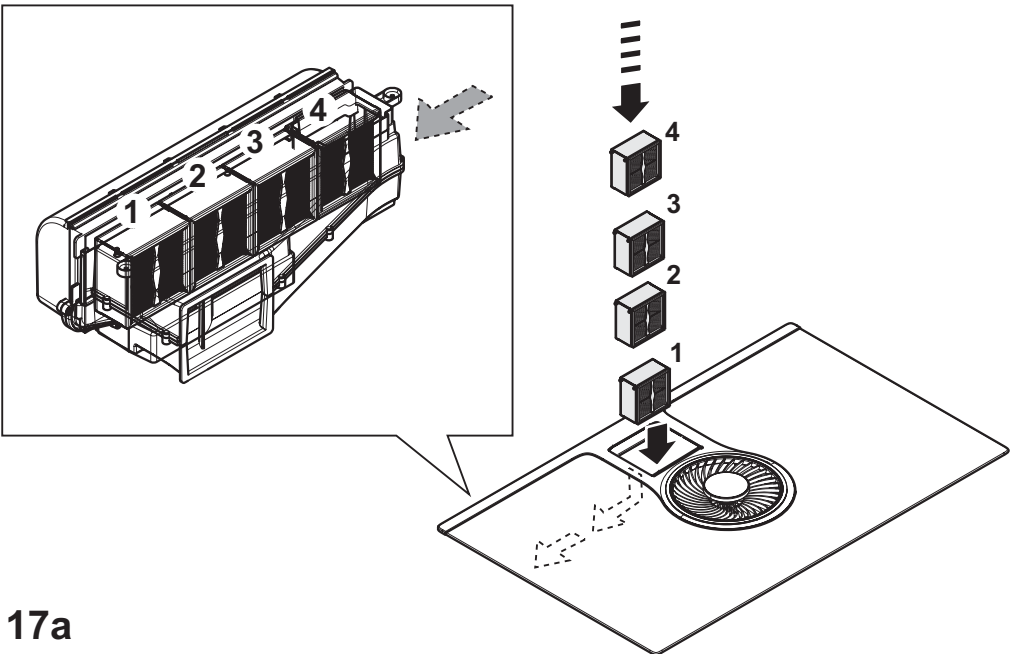


16

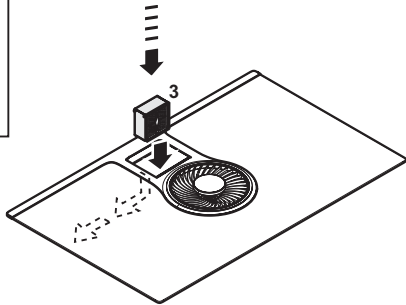
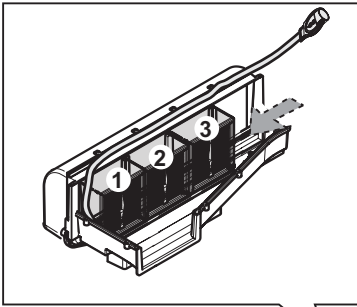
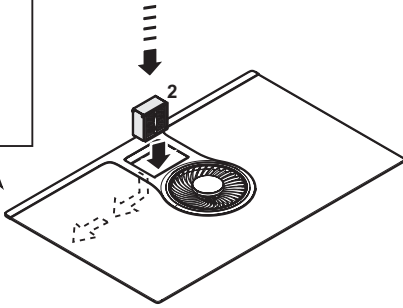
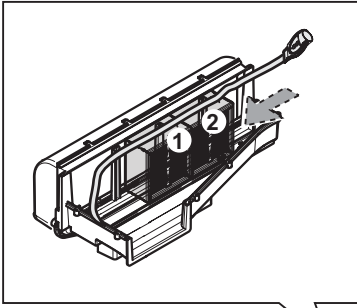
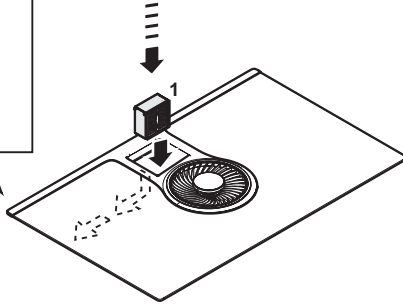
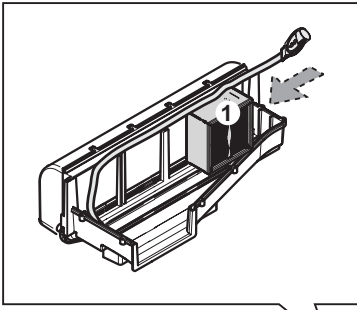


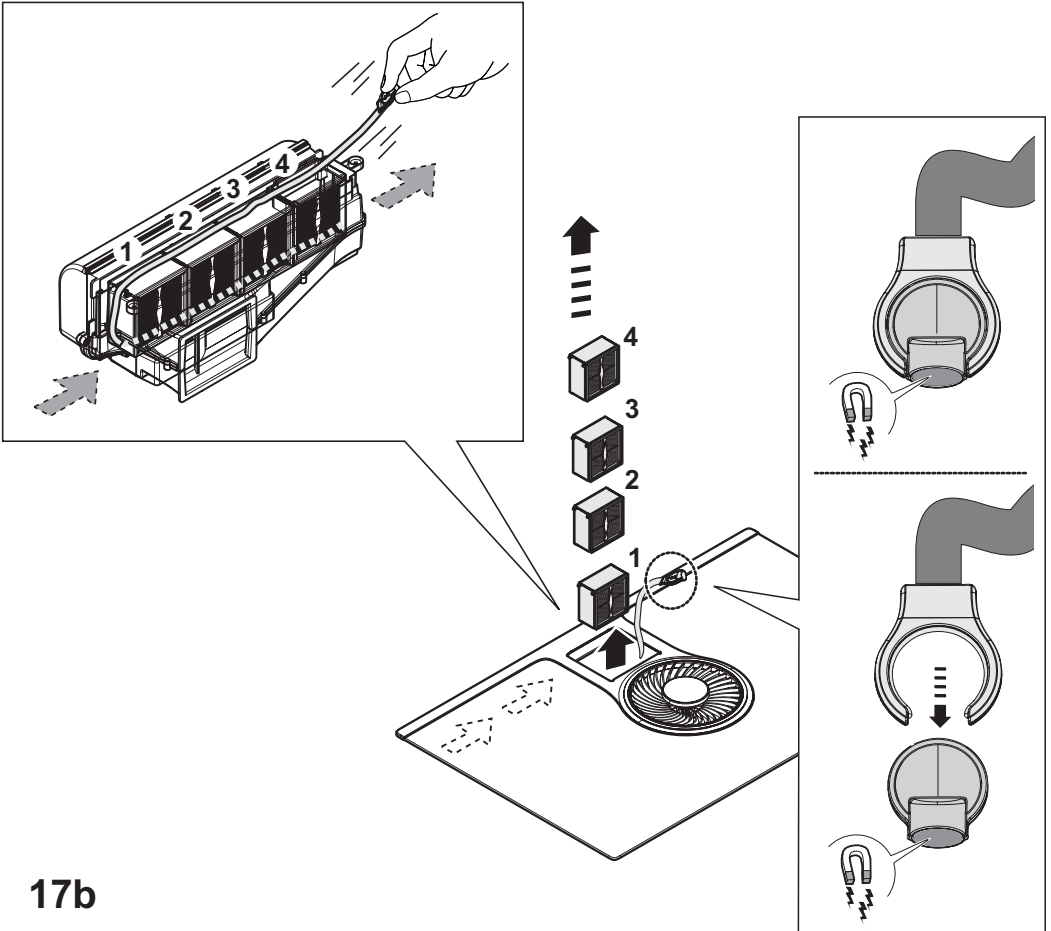
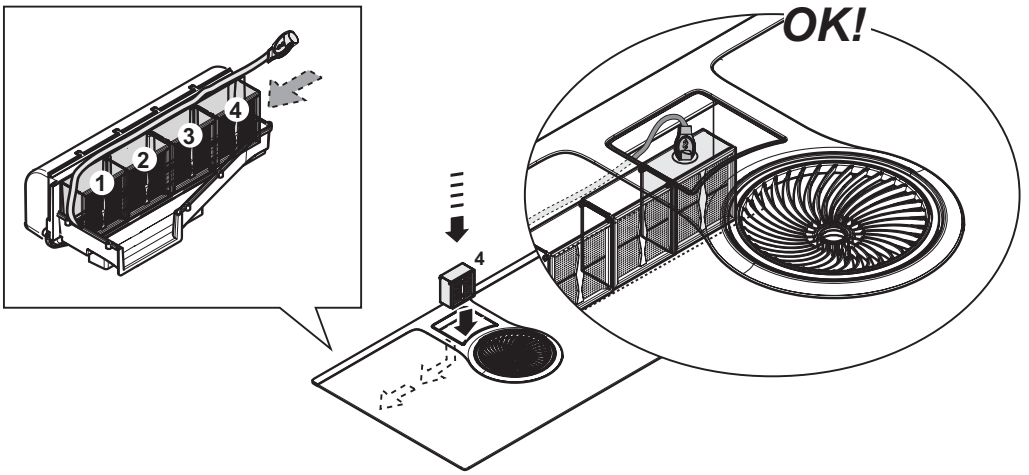


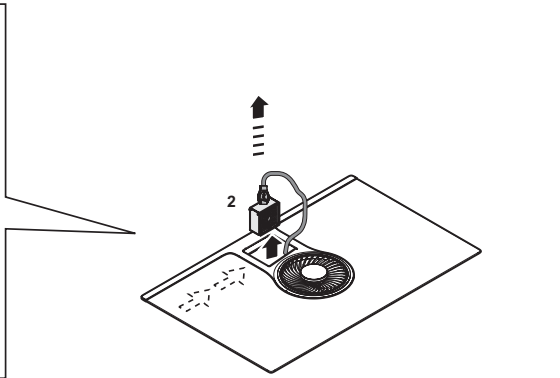
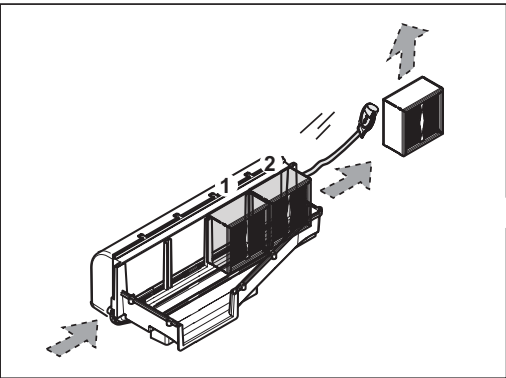
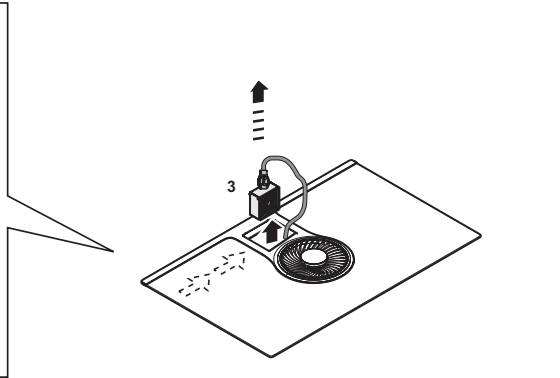
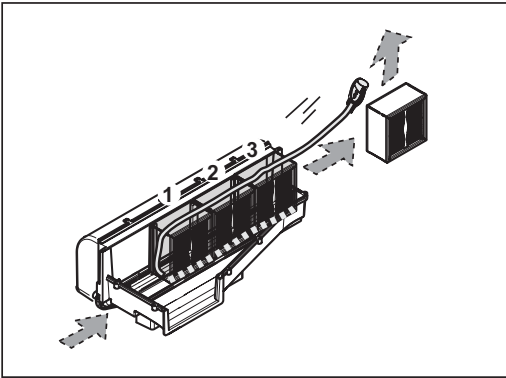
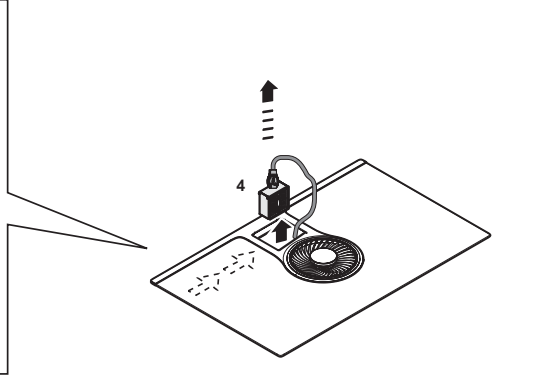
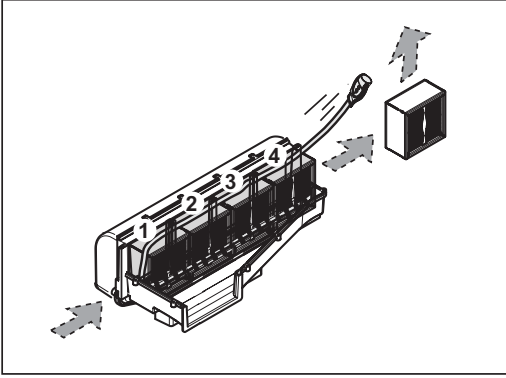
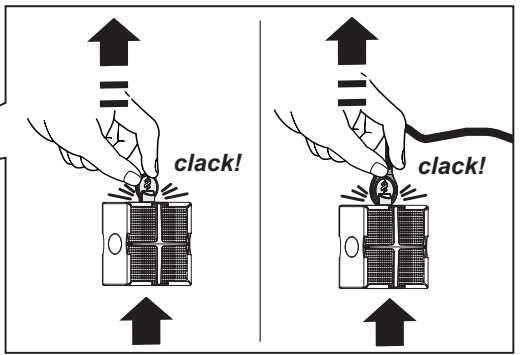
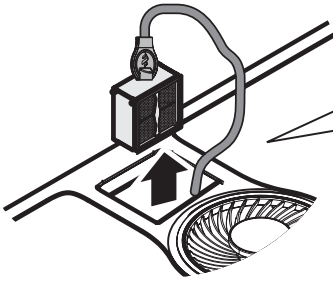
17

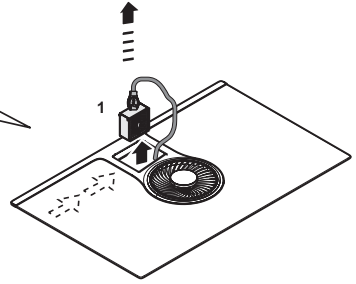
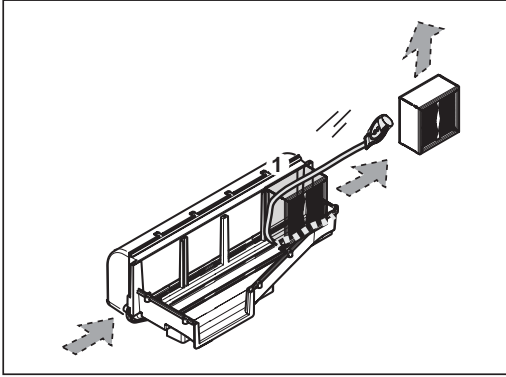


17a





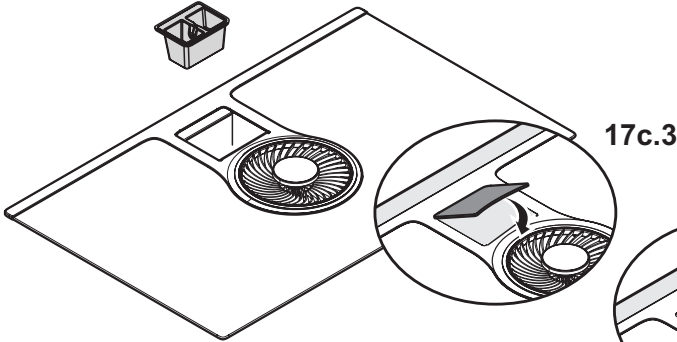




17c.2



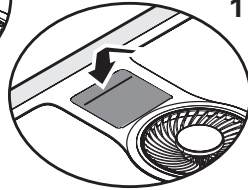
17c.1

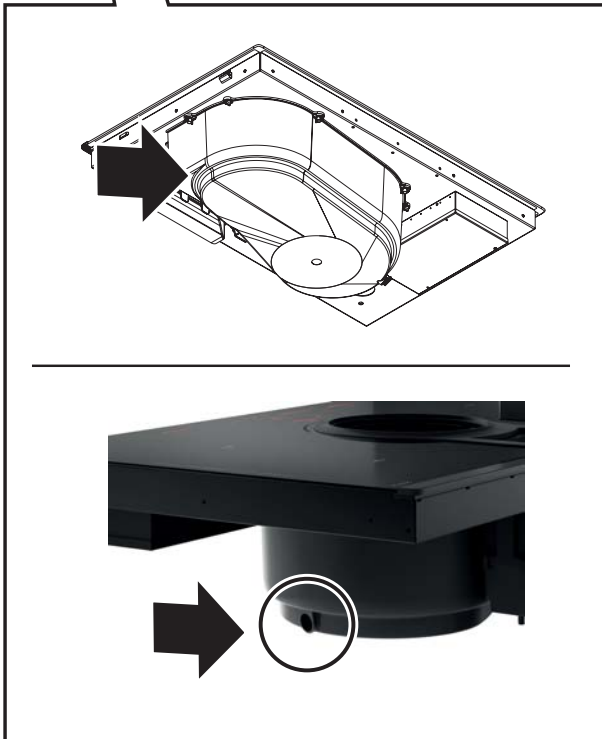
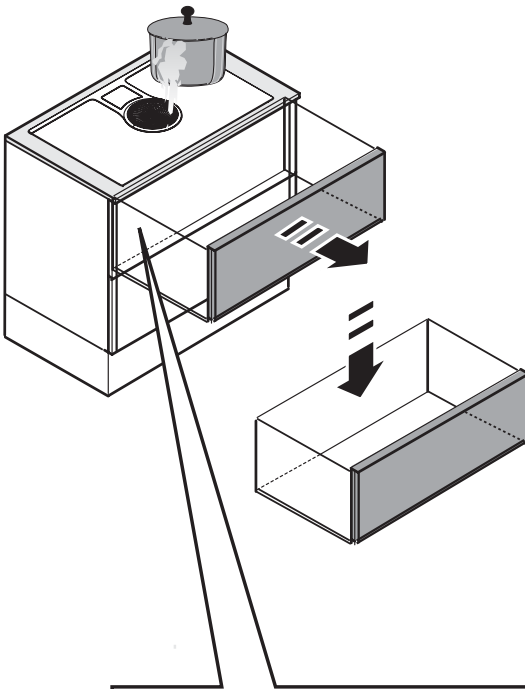


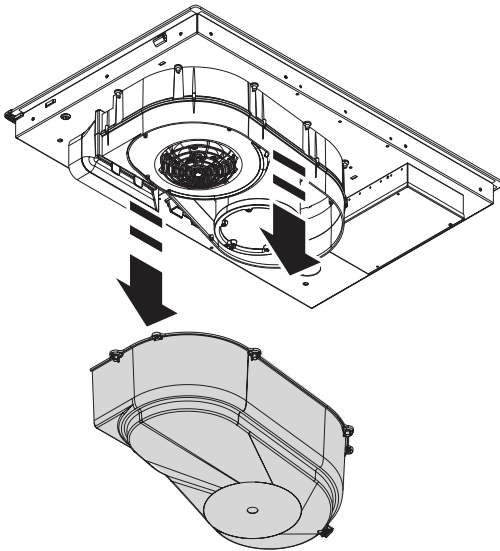
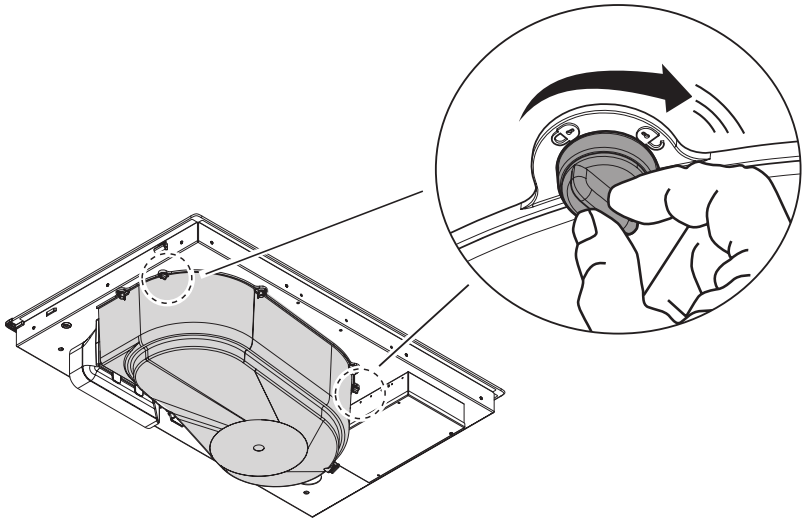
17c.3



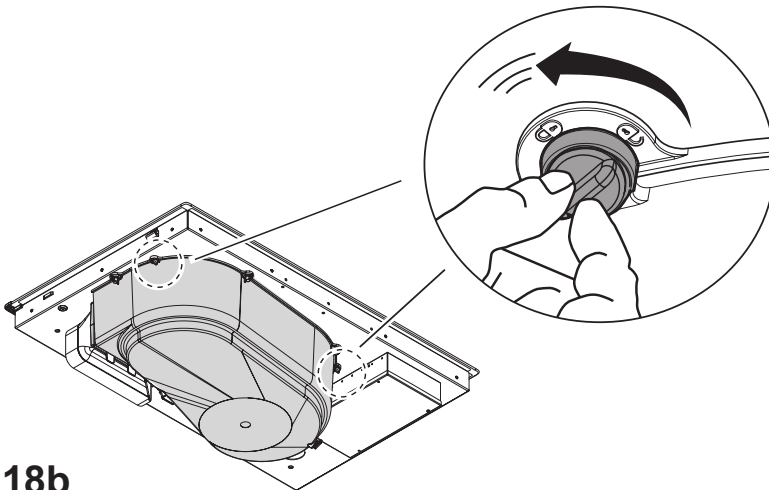
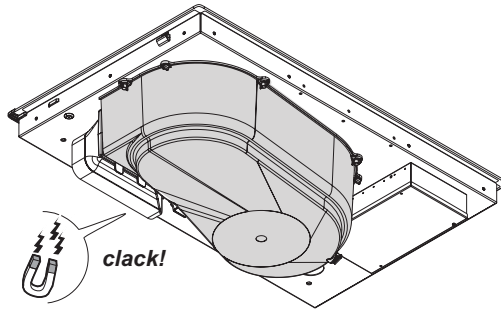
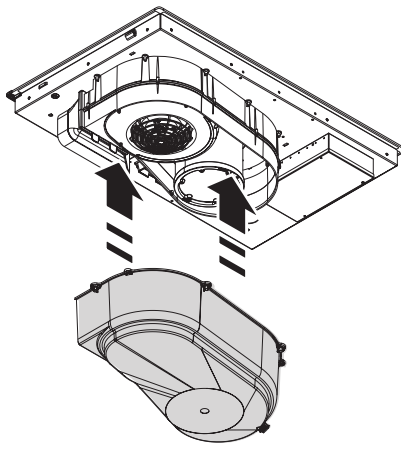
17c.4



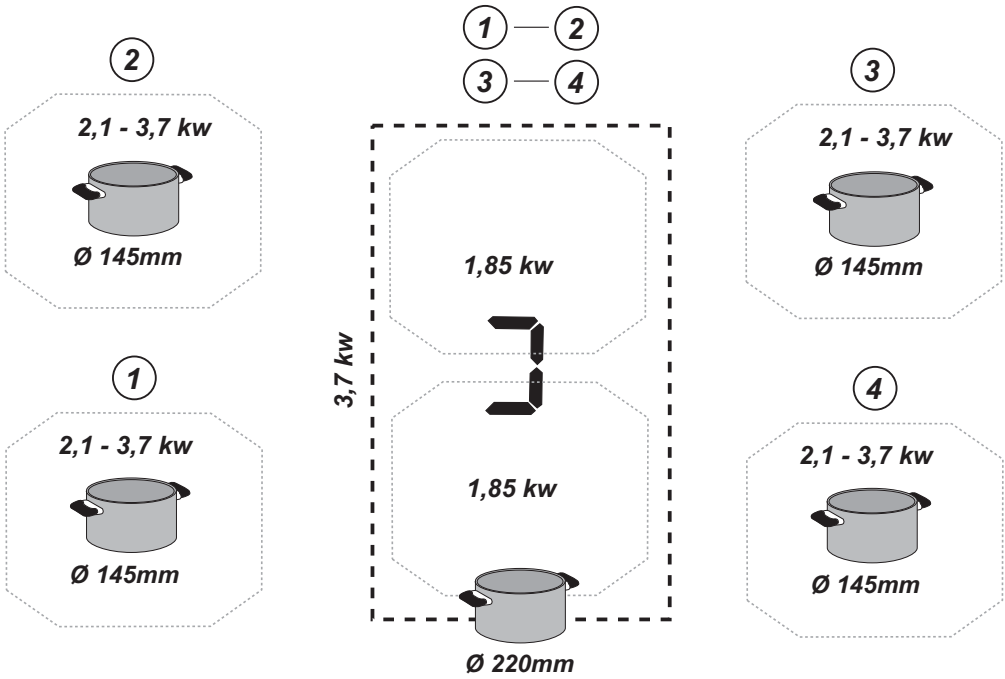
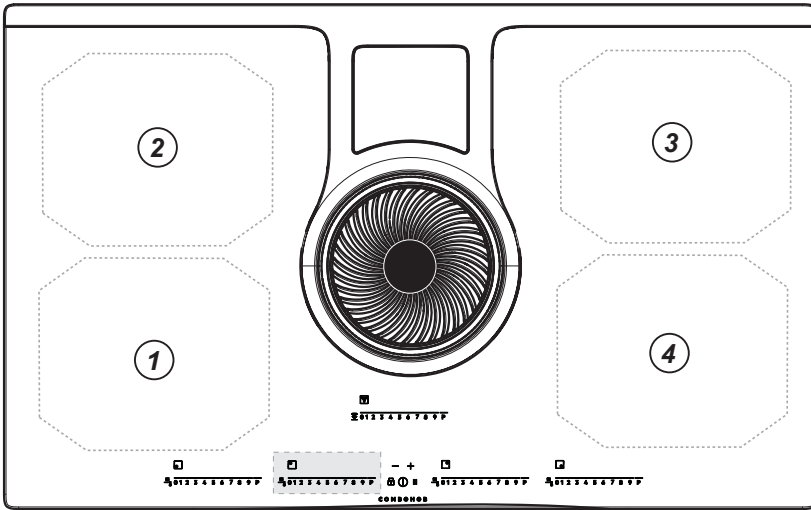


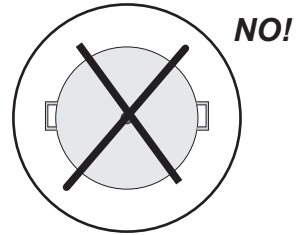
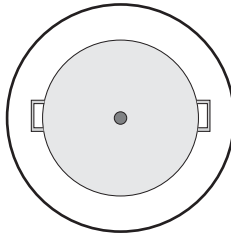
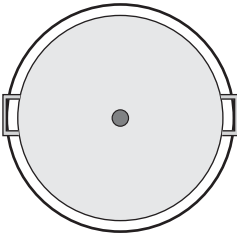
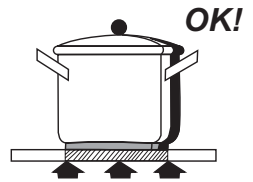
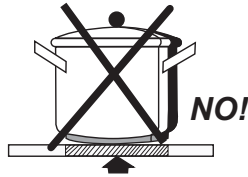
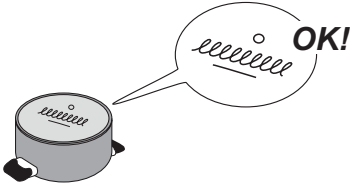


18a



18b





- 40 %

Strictly observe the instructions in this manual. No liability will be assumed for any problems, damage or fires caused by failure to comply with the instructions in this manual. The device is intended for domestic use only, to cook food and extract the fumes generated by cooking. No other use is allowed (e.g. heating rooms). The manufacturer declines any liability for inappropriate use or incorrect setting of the controls.

The product may have different aesthetic features with respect to the illustrations in this handbook, however the operating, maintenance and installation instructions remain the same.

This manual must be stored for future consultation at any time. If sold, transferred or moved, it must remain with the product.

- ! Read the instructions carefully: they contain important information on installation, operation and safety.
- ! Do not make electrical changes to the product.
- ! Before installing the device, check that none of the components are damaged. Otherwise, contact the dealer and do not continue with the installation.
- ! Check the integrity of the product prior to its installation. Otherwise, contact the dealer and do not continue with the installation.

Note: The parts marked with the symbol "(*)" are optional accessories supplied only with some models or otherwise not supplied, but available for purchase.

1. Warnings

Caution! Strictly observe the following instructions:

-The device must be disconnected from the electrical network before performing any installation work.

-Installation or maintenance must be performed by a qualified technician, in compliance with the manufacturer's instructions and with local safety regulations. Do not repair or replace any part of the device unless specifically stated in the operating manual.

-Earthing the device is compulsory.

-The power cable must be long enough to allow the device, built-in to the cabinet, to be connected to the electrical network.

-In order to ensure the installation complies with current safety standards, a regular omnipolar switch is required that assures the complete disconnection of the mains under category III over-voltage conditions, in accordance with the installation rules.

-Do not use multiple sockets or extension cords.

-Once installation is complete, the electrical components must no longer be accessible by the user.

- The device and its accessible parts heat up during use. Be careful not to touch the heating elements.

-Ensure that children do not play with the device; keep children away and supervise them, as the accessible parts may become very hot during use.

-For people with pacemakers and active implants it is important to check, prior to using the induction hob, that their pacemaker is compatible with the device.

-During and after use, do not touch the heating elements of the device.

-Avoid contact with cloths or other flammable materials until all the device components have sufficiently cooled.

-Do not place flammable materials on or near the device.

-Overheated fats and oils easily catch fire. Supervise the cooking of foods rich in fat and oil.

-If the surface is cracked, switch off the device to avoid the possibility of an

electric shock.

-The device is not intended to be run with an external timer or a separate remote control system.

-Unattended cooking on a hob with oil or fat may be dangerous and may cause a fire.

- The cooking process must be supervised. A short-term cooking process must be constantly monitored.

- NEVER attempt to put fires out using water. Instead, turn off the device and smother the flames, for example with a lid or a fire blanket. Fire hazard: do not rest objects on the cooking surfaces.

-Do not use steam cleaners.

-Do not place metal objects such as knives, forks, spoons and lids on the hob surface as they may overheat.

- Before connecting the device to the electrical network: check the data plate (on the bottom of the device) to ensure that the voltage and power correspond to the network values and that the connection socket is suitable. If in doubt, consult a qualified electrician.

Important:

- After use, switch off the hob from its control device and do not rely on the pot detector.

-Avoid spills; when boiling or heating liquids, lower the heat supply.

- Do not leave the heating elements on with pots and pans empty or without containers.

- Once cooking is complete, turn off the

relative zone.

- Never use aluminium foil to cook with, and never directly place products packaged with aluminium on top of the cooking surface. The aluminium would melt and irreparably damage your device.

- Never heat a tin or a tin can containing foods without first opening it: it might explode!

This warning also applies to all other types of hobs.

- A high power level such as the Booster function should not be used to heat certain liquids such as oil for frying. Excessive heat may be dangerous. In these cases we recommend the use of a lower power level.

-The containers must be placed directly on the hob and should be centred. Under no circumstances may anything be inserted between the pot and the hob.

- In high temperature situations, the device automatically decreases the power level of the cooking zones.

Before performing any cleaning or maintenance, disconnect the product from the electrical network by detaching the plug or disconnecting the home's master switch.

For all installation and maintenance operations, always use work gloves.

The device can be used by children 8 years or older and by persons with physical, sensory or mental impairments, or by people without any experience or the necessary knowledge, provided they

are supervised or have received instructions regarding the safe use of the device and provided they have a thorough understanding of the associated risks.

Children must be supervised to ensure they do not play with the device.

Cleaning and maintenance must never be performed by children unless they are properly supervised.

The room must be properly ventilated when the cooker hood is used at the same time as other combustion devices, gas or otherwise.

The hood must be regularly cleaned both internally and externally (AT LEAST ONCE PER MONTH), in strict accordance with the maintenance instructions.

Failure to follow the rules for hood cleaning and filter replacement and cleaning shall result in a fire hazard.

It is strictly prohibited to flame food.

The use of an open flame may damage the filters and cause a fire hazard; it must therefore be avoided under all circumstances.

Extra care must be taken when frying to prevent the oil from overheating and catching fire.

CAUTION: When the hob is on, the accessible parts of the hood may become hot.

Caution! Do not connect the device to the electrical network until installation is entirely complete.

In regards to the technical and safety measures that must be adopted for fume extraction, regulations issued by local

authorities must be strictly followed.

The extracted air must not be conveyed through the same ducts used to extract the fumes generated by gas combustion or other types of combustion devices.

Never use or leave the hood without properly installed light bulbs, so as to prevent the risk of an electric shock.


Never use the hood unless the grill has been correctly assembled!

Use only the fastening screws supplied with the product for its installation, or if not supplied, purchase the correct type of screws. Use screws with the right length, as indicated in the installation guide.

When the cooker hood is used together with other devices powered with non-electrical energy, the negative pressure of the room must not exceed 4 Pa (4 x 10⁻⁵ bar).

This device is marked in compliance with the European Directive 2002/96/EC, Waste Electrical and Electronic Equipment (WEEE). By ensuring that this product is disposed of correctly, the user will help prevent potential negative consequences for the environment and human health.



The symbol  on the product or accompanying documentation indicates that this product should not be treated as household waste but should be handed over at a suitable collection point for the recycling of electrical and electronic equipment. Dispose of the device in accordance with local regulations on waste disposal. For further information about the treatment, recovery and recycling of this product, please contact your local authority, a collection service for household waste or the shop where the product was purchased.

Device designed, tested and developed in compliance with regulations on:

- Safety: EN/IEC 60335-1; EN/IEC 60335-2-6, EN/IEC 60335-2-31, EN/IEC 62233.
- Performance: EN/IEC 61591; ISO 5167-1; ISO 5167-3; ISO 5168; EN/IEC 60704-1; EN/IEC 60704-2-13; EN/IEC 60704-3; ISO 3741; EN 50564; IEC 62301.

• EMC: EN 55014-1; CISPR 14-1; EN 55014-2; CISPR 14-2; EN/IEC 61000-3-3; EN/IEC 61000-3-12. Recommendations for correct use in order to reduce the impact on the environment: When starting to cook, turn on the hood at minimum speed and leave it on for a few minutes even after cooking is complete. Increase the speed only if there is a large amount of fumes and steam, using the Booster function only in extreme cases. To keep the odour reduction system running efficiently, replace the carbon filter/s when necessary. To ensure the high performance of the grease filter, clean it when necessary. To improve efficiency and minimise noise, use the maximum ducting diameter indicated in this manual.

2. Use

Using the hob

The induction cooking system is based on the physical phenomenon of magnetic induction. The main characteristic of this system is the direct transfer of energy from the generator to the pot.

Advantages:

When compared to electric hobs, your induction hob is:

- **Safer:** lower temperature on the glass surface.
- **Faster:** shorter food heating times.
- **More accurate:** the hob immediately reacts to your commands
- **More efficient:** 90% of the absorbed energy is transformed into heat. Moreover, once the pot is removed from the hob, heat transmission is immediately interrupted, avoiding unnecessary heat losses.

2.1 Cooking containers

Use only pots bearing the symbol



Important:

to avoid permanent damage to the hob surface, do not use:

- containers with less than perfectly flat bottoms.
- metal containers with enamelled bottoms.
- containers with a rough base, to avoid scratching the hob surface.
- never place hot pots and pans on the surface of the hob's control panel

2.1.1 Pre-existing containers

Induction cooking uses magnetism to generate heat. Containers must therefore contain iron. Check if the pot material is magnetic using a magnet. Pots are not suitable if they are not magnetically detectable.

2.1.2 Recommended pan bottom diameters

IMPORTANT: if the pots are not correctly sized, the cooking zones will not turn on

For details of the minimum pot diameter that needs to be used on each zone, see the illustrated part of this manual.

2.2 Energy saving

Recommendations for best results:

- Use pots and pans with a bottom diameter equal to that of the cooking zone.
- Use only pots and pans with flat bottoms.
- Where possible, keep the lid on pots during cooking
- Cook vegetables, potatoes, etc. with a small amount of water to reduce cooking time.
- Use a pressure cooker, it further reduces the energy consumption and cooking time
- Place the pot in the centre of the cooking zone drawn on the hob.

Using the extractor fan

The extraction system can be used in two versions: external extraction and evacuation or as a filter with internal recirculation.



Extraction version

Fig.7

The fumes are evacuated towards the outside through a series of pipes (bought separately) fastened to the supplied connecting flange.

The diameter of the exhaust pipe must be equivalent to the diameter of the connecting ring:

- for rectangular outlets 222 x 89 mm
- for circular outlets \varnothing 150 mm (*)

For more information, see the page relative to the extraction version in the illustrated part of this manual.

Fig.7c

Connect the product to wall-mounted exhaust pipes and holes with a diameter equivalent to the air outlet (connecting flange). Using wall-mounted exhaust pipes and holes with a smaller diameter may reduce the efficiency of extraction and drastically increase noise levels.

All responsibility in this regard is therefore denied.

- ! Use ducting with the minimal indispensable length.
- ! Use ducting with the least possible number of curves (maximum angle: 90°).
- ! Avoid drastic changes in the ducting diameter.



Filtration version

Fig. 8

The extracted air will be filtered in special grease filters and odour filters before being sent back into the room.

The product is supplied with all parts necessary for standard installation, with the air outlet positioned in the front part of the cabinet plinth.

Four high-performance ceramic activated carbon filter packs are already supplied with the product. Ceramic filters are innovative modular carbon filters, which are regenerating (see the Maintenance - Activated carbon filters section of this manual).

Their chemical-physical properties allow extremely efficient odour absorption and high mechanical resistance.

For more information, see the page relative to the filtration version (in the illustrated part of this manual).

Fig. 13b

3. Installation

The electrical and mechanical installation must be performed by qualified personnel.

The electrical appliance is designed to be built-in to a 2-6 cm thick worktop in the case of TOP installations; 2.5-6 cm in the case of FLUSH installations.

The minimum clearance between the cooktop and wall must be at least 5 cm at the front, at least 4 cm on the side and at least 50 cm with respect to the wall units above.

NB = The suggested clearances are indicative: when designing the spaces, follow the instructions of the kitchen manufacturer.



3.1 Electrical connection

Fig. 3

- Disconnect the device from the electrical network
- The installation must be performed by professionally qualified personnel familiar with the applicable installation and safety standards.
- The manufacturer declines any liability to people, animals or things in the case of failure to follow the guidelines provided in this chapter.
- The power cable must be long enough to allow removal of the hob from the worktop
- Make sure that the voltage on the rating plate on the bottom of the device corresponds to that of the house where it will be installed.
- Do not use extension cords.
- Earthing is required by law
- The earth power cable must be 2cm longer than the other cables
- If the household appliance is not equipped with a power cable, use one with a minimum conductor diameter of 2.5 mm² for power up to 7200 Watt; for higher power levels, the diameter must be 4 mm².
- At no point along the length of the cable must it reach a temperature of 50° C above the room temperature.
- The device is intended to be permanently connected to the electrical network, therefore, make the connection to the fixed network via a standard omnipolar switch, which assures the complete disconnection of the mains under category III over-voltage conditions, and which is readily accessible after the installation.

Note: to connect the appliance using the optional single phase connection the existing cable must be removed and replaced with another type (not supplied) having the following specifications:

single phase connection: H05V2V2-F 3G4 cable

Fig. 3a

Caution! Before reconnecting the circuit to the mains power supply and checking its correct operation, always check that the network cable has been correctly assembled.

Caution! The interconnection cable must be replaced by authorised customer service personnel or equally qualified person.

Note : the product is equipped with a Power Limiter function, which allows a maximum power limit to be set. The limit must be set at the time of the product's connection to the electrical network or when the electrical network itself is reconnected (within the following 2 minutes). **For the Power Limitation setting sequence, see the Operation section of this manual.**

3.2 Mounting

Before starting the installation:

- After unpacking the product, check that it has not been damaged during transport and in the case of problems, contact your dealer or Customer Service, before proceeding with the installation.
- Check that the product is the right size for the installation location.
- Check for accessories inside the packaging (placed there for ease of transport) such as bags containing screws, the warranty card, etc.. Remove them and keep them safe.
- Also check that there is a power socket near the installation area

Preparing the cabinet for installation:

- The product cannot be installed above cooling appliances, dishwashers, heaters, ovens, washing machines and dryers.

- Cut the cabinet before inserting the hob and carefully remove shavings or sawdust.

IMPORTANT: use a single component adhesive sealant (S), resistant against high temperatures up to 250°; prior to installation, the surfaces that need to be glued must be carefully cleaned, removing all substances that may compromise adhesion (e.g. release agents, preservatives, grease, oils, powders, old adhesive residue, etc.); the sealant must be evenly distributed along the entire perimeter of the frame; after gluing, leave to dry for approximately 24 hours.

Fig. 1b

CAUTION! Failure to install screws and fasteners in accordance with these instructions may result in electrical hazards.

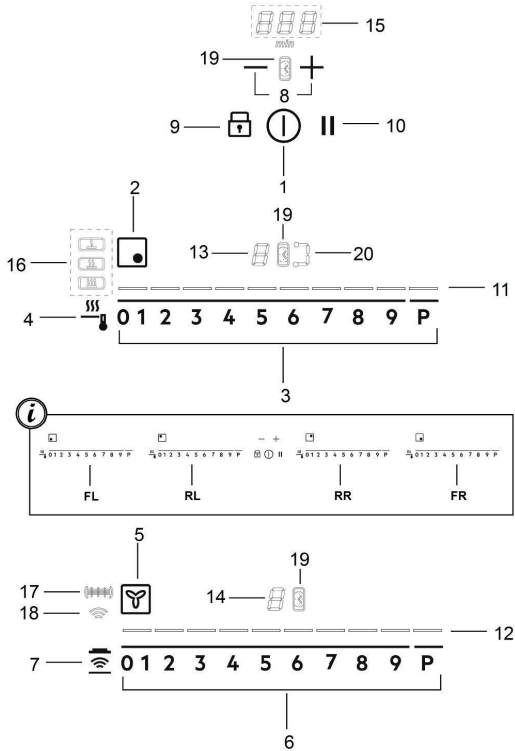
Note: to ensure the correct installation of the product, it is recommended to tape the pipes using an adhesive with the following characteristics:

- soft elastic PVC film, with an acrylic-based adhesive
- which complies with DIN EN 60454 regulations
- flame retardant
- excellent resistance against wear
- resistant against temperature fluctuations
- can be used in low temperatures

4. Operation

Control panel

Note: To select the commands, simply touch (press) the symbols representing them



Keys

Display / LED

- | | | | |
|-------|--|-----|---|
| 1. | ON/OFF of the hob / extractor fan for hob | 11. | View Power Level |
| 2. | Cooking zone position indicator | 12. | View extraction speed (power) |
| 3. | Cooking zone selection | 13. | Cooking zone display |
| 4. | Temperature Manager activation | 14. | Extractor fan display |
| 5. | Extractor fan indicator | 15. | Timer display |
| 6. | Extractor fan selection | 16. | Temperature Manager display |
| 7. | Activation of automatic functions | 17. | Filter assistance indicator |
| 8. | Activate Timer | 18. | Automatic extraction function indicator |
| 9. | Key Lock | 19. | Timer indicator active |
| 9+10. | Child Lock | 20. | Bridge indicator active |
| 10. | Pause / Recall | | |

USING THE HOB

Before you begin, it is important to know:

All functions of this hob are designed in order to comply with the most stringent safety regulations.


For this reason:

• **Some functions will not be activated, or will be automatically deactivated, in the absence of pots on the burners or when they are poorly positioned.**

• In other cases the activated functions will be automatically deactivated after a few seconds when the specific function requires a further setting that has not been selected (e.g.:

“Turn the hob on” without “Selecting the cooking zone” and the “Operating temperature”, or the “Lock Function”

or the “Timer” function).

 **Warning!** In the case (for example) of prolonged use, the cooking zone may not immediately shut down because it is in the cooling phase; the “H” symbol will appear on the cooking zone display “H” to indicate the execution of this phase.

Wait for the display to turn off before approaching the cooking zone.

Cooking zone display

the cooking area display indicates:

Cooking zone on	<i>O</i>
Power Level	<i>1...9-P</i>
Residual Heat Indicator	<i>H</i>
Pot Detector	<i>U</i>
Temperature Manager Function active	<i>U</i>
Child Lock Function active	<i>L</i>
Pause function	<i> </i>
Automatic Heat UP function	<i>A</i>

Hob characteristics

● Safe Activation

The product is activated only in the presence of pots on the cooking zone: the heating process does not start or is interrupted if there are no pots, or if these are removed.

● Pot Detector

The product automatically detects the presence of pots on the cooking zones.

● Safety Shut Down

For safety reasons, each cooking zone has a maximum operating time, which depends on the maximum power level set.

● Residual Heat Indicator

When one or more cooking zones shut down, the presence of residual heat is indicated by a visual signal on the corresponding zone display, by way of the “H” symbol.

Operation

Note: Before activating any functions, the desired zone must be activated

● Power-on

Press (touch)  **ON/OFF hob/ extractor**

The indicator light will turn on to indicate that the hob/extractor is ready for use

Press again to turn off

Note: This function has priority over the others.

● Selecting the cooking zone

Touch (press the **Selection bar (3)**) corresponding to the desired cooking zone.

● 9 Power Levels

The hob features 9 power levels

Touch and scroll along the **Selection bar (3)**:

to the right to increase the level of power;

to the left to decrease the level of power.

● Power Booster

The product features a supplementary power level (after level **9**), which remains active for 10 minutes, after which the temperature returns to the previously set value.

Touch and scroll along the **Selection bar (3)** (after level **9**) and activate the Power Booster

The Power Booster level is shown on the display of the selected zone with the symbol “**P**”


● Bridge Zones

Thanks to the Bridge function, the cooking zones are able to work in a combined manner, creating a single zone with the same power level. This function allows evenly distributed cooking with large-sized pots and pans.

The front “**Master**” cooking zone can be used in combination with the corresponding “**Secondary**” cooking zone at the back
(to check which zones are equipped with this function, see the illustrated part of this manual).

To activate the Bridge Function:

- **simultaneously select the two cooking zones you want to use**

- the Bridge indicator (20) of the “**Secondary**” cooking zone lights up “”


- by means of the **Selection bar (3)** of the “**Master**” cooking zone it will be possible to set the operating level (**Power**)







- to deactivate the **Bridge Function** simply repeat the same activation procedure

● Temperature Manager


Temperature Manager is a function that allows to set the most suitable pre-set temperature to achieve the desired result (see the Temperature Manager table at the end of this chapter).

Select the desired cooking zone.

• Press once or multiple times  (4) to choose the most suitable level among the ones available:

	Melting*	
	Warming*	
	Simmer*	
* See the Temperature Manager at the end of this chapter.		


• Press again to turn it off.

The following symbol appears on the display of the zone working in Temperature Manager mode “”

● Key Lock

The Key Lock allows to block the settings of the hob to prevent accidental tampering, leaving the functions that have already been set active.

Activation:



- press  (9)
- The LED over the button will turn on, to indicate that it has been activated

Repeat the operation to deactivate.

● Child Lock

The Child Lock makes it possible to prevent children from accidentally accessing the cooking zone and extraction zone, preventing the activation of any functions. The Child Lock can only be activated when the product is on, but with the cooking zones (and extraction zone) off.

Activation:

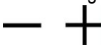
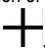

- remove any pots from the hob
- press and hold simultaneously  (9) and  (10), an acoustic signal indicates that the function is active, and an “**L**” appears on the displays (13) and (14).

Repeat the operation to deactivate.

● Timer

The Timer function is a countdown, which can be set for each cooking zone (and extraction zone), even simultaneously. At the end of the set period, the cooking zones (or extraction zone) will automatically shut down and the user will be informed by way of an acoustic signal.


Activation/Regulation of hob Timer function

- Select the cooking zone (power \neq 0).
- Press  (8) to access the Timer function
- Regulate the duration of the Timer:
 - press the selector , to increase the automatic shut-down time
 - press the selector , to decrease the automatic shut-down time


If desired, repeat the operation for the other cooking zones.
Note: Each cooking zone can have a different Timer set; on the display, (15), the countdown of the last selected hob will be shown for 10 seconds, after which the countdown with the least remaining time will be shown.

When the timer has finished the countdown, there is an acoustic signal (for 2 minutes, or it will stop when one of the buttons on the hob is pressed), while the display (15) will flash, with the symbol "0.00".

Note: on the side of the display of the cooking zone, the



following symbol will appear  (19)

To switch off the Timer:

- select the cooking zone
- set the value of the timer to "0", by means of 

Note: the function remains active if no other key is pressed in the meantime.

● Egg Timer

The Egg Timer function is a countdown independent of the cooking zones (and the extraction zone). The Egg Timer is activated by pressing   (8).


Note : to regulate the **Egg Timer** function, follow the same procedure as for the **Timer**

When the timer has finished the countdown, there is an acoustic signal (for 2 minutes, or it will stop when one of the buttons on the hob is pressed), while the display (15) will flash, with the symbol "0.00".

● Pause


The Pause function allows to suspend any function active on the hob, bringing the cooking power to zero.

Activation:

- press  (10)
- a "P" is displayed (13).

To deactivate the function:

Note: this operation restores the hob settings to those prior to the pause.

- press  (10)
- within 10 seconds scroll to the right along the **Selection bar (3)**, relating to the **cooking zone 2 (FIG.19)**;



Note : if the operation is not performed within this time the pause function will remain active.

Note: if after 10 minutes, the **Pause Function** is not deactivated, the hob will turn off automatically.

● Recall

The Recall function allows to recover all the hob settings, in case of accidental shut-down.

Activation:

- **turn the hob back on**  within 6 seconds after shut-down
- **press**  within the next 6 seconds

● Automatic Heat UP

The Automatic Heat UP function allows to reach the set power faster; with this function it is possible to cook food faster, but without the risk of burning it, because the temperature does not exceed the set level.

This function is available for the levels of power 1 -8 .


Activation:

- press and hold, on the **Selection bar (3)**, the desired power
- a "A" is displayed (13).

● Power Limitation

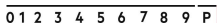
The Power Limitation function allows the product to be used while limiting its maximum absorption.

Note : the limit must be set when the hob is off, **without**

pressing , within 2 minutes from when the hob is connected to the electrical network, or from when the electrical network itself is reconnected.

To set the Power Limitation:

- press and hold keys  , until an acoustic signal sounds

- slide along sliders **FL and RL**  0 1 2 3 4 5 6 7 8 9 P at the same time, from left to right, and press down at the letters **P**, until a short acoustic signal sounds

the Timer display (15) shows the symbols "CF6", to indicate that it can be set

the **FL zone** display shows the current setting**

0 = 7.4 KW

1 = 4.5 KW



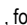
** by default, the limit is set to 7.4 KW

- to change the Power Limitation setting slide on the FL

slider 0 1 2 3 4 5 6 7 8 9 P

- from left to right to increase the Kw

- from right to left to decrease the Kw

- to save the selection, press the keys   , for 1 second;

an acoustic signal will sound to confirm the setting and the function will close.

USING THE EXTRACTOR FAN

● **Power-on**

Press (touch)  **ON/OFF hob/ extractor**

The indicator light will turn on to indicate that the hob/extractor is ready for use

Press again to turn off

Note: This function has priority over the others.

● **Switching on the extractor fan:**

Touch (press) the **Selection bar (6)** to activate the extractor fan

● **Extraction speed (power):**

Touch and scroll along the **Selection bar (6)**:

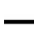

to the right to increase the speed (power) of the extractor fan (0-10);

to the left to decrease the speed (power) of the extractor fan (10-0);

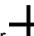
● **Timer**

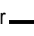
Activation/Regulation of Timer function for the extractor fan

• Select the extractor fan (speed \neq 0).

• Press   **(8)** to access the Timer function (from any speed)


• Regulate the duration of the Timer:

press the selector , to increase the automatic shut-down time

press the selector , to decrease the automatic shut-down time


the display **(15)** will show the countdown,

Note: on the side of the display of the extractor fan, with the Timer

in use, the following symbol will appear  **(19)**

When the timer has finished the countdown, there is an acoustic signal (for 2 minutes, or it will stop when one of the buttons on the hob is pressed), while the display **(15)** will flash, with the symbol **"0.00"**.

To switch off the Timer:

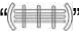
- select the cooking zone
- set the value of the timer to "0", by means of 

Note: the function remains active if no other key is pressed in the meantime.

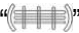
● **Filter saturation indicator**

The hood indicates when filter maintenance is needed:

Grease filter


the  **(17)** LED lights up


Activated carbon odour filter

the  **(17)** LED flashes

● **Reset filter saturation**

After carrying out maintenance on the filters (grease and/or

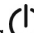
activated carbon) hold down the key  **(7)**;

the  **(17)** LED turns off and the count restarts.

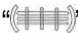
● **Activation of activated carbon odour filter saturation indicator**

This indicator is normally deactivated.

To activate it, proceed as follows:


- turn on the aspiration hob by pressing ;
- with the aspiration motor and cooking zones off, press and


hold  **(7)**;

-  turns on, then off to indicate successful activation.

● **Deactivation of activated carbon odour filter saturation indicator**

repeat the activation steps described above



 flashes, then turns off to indicate successful deactivation.

● **Automatic operation (Hob2Hood)**

The hood will turn on at the most suitable speed, adapting the extraction capacity to the cooking level used in the cooking zone. Once the hob is turned off, the hood adapts its aspiration speed, gradually decreasing it, so as to eliminate residual vapours and odours

To activate this function:



Briefly press  (7), the LED  (18) will light up to indicate that the hood is working in this mode.




The suction surface is designed to be used in combination with a Window sensor KIT (not provided by the manufacturer)

When installing the Windows sensor KIT (only in the case of use of the surface in SUCTION mode), the suction will stop operating every time when the KIT which with the surface is equipped detects that the window is closed in the room where it is installed.

It is recommended the purchase of the FDS KIT - 100 Elektrotechnik Schabus, available at authorised Elektrotechnik Schabus centres or directly on the Internet site www.elektrotechnik-schabus.de.

- The electrical connection of the suction surface KIT must be carried out by qualified and specialised technical personnel.

- The manufacturer of the suction surface declines all responsibility for any inconvenience, damage or fire caused by defects and/or problems of malfunctioning and/or incorrect installation of the KIT.

Temperature Manager		Description
	Melting	It identifies a suitable cooking level to slowly melt delicate products without compromising their sensory characteristics (chocolate, butter, etc.).
	Warming	It identifies a suitable cooking level to allow to delicately keep the food at the same temperature, without letting it boil.
	Simmer	It identifies a suitable cooking level to simmer food for prolonged periods. Suitable to cook tomato sauces, meat sauces, soups, minestrone, maintaining a controlled cooking level (ideal for bain-marie). It prevents the food from spilling or sticking at the bottom of the pan, typical of these preparations. Use this function after bringing the food to a boil.

4.1 Power tables

Power level		Cooking type	Use of level (display combines the experience and cooking habits)
Max power	Boost	Heat quickly	Ideal to quickly increase the temperature of the food up to fast boiling in the case of water or quickly heat cooking liquids
	8-9	Fry - boil	Ideal for browning, starting to cook, frying frozen products, boiling rapidly
High power	7-8	Brown - fry - boil - grill	Ideal for frying, keeping the boil, cooking and grilling (for short times, 5-10 minutes)
	6-7	Brown - cook - stew - fry - grill	Ideal for frying, maintaining a simmer, cooking and grilling (for average times, 10-20 minutes), preheating accessories
Medium power	4-5	Cook - stew - fry - grill	Ideal for stewing, maintaining a light boil, cooking (for longer times). Stir pasta
	3-4	Cook - simmer - thicken - stir	Ideal for slow cooking (rice, sauces, roasts, fish) in the presence of liquid (e.g. water, wine, broth, milk), stirring pasta
	2-3	Cook - simmer - thicken - stir	Ideal for slow cooking (volume less than one litre: rice, sauces, roasts, fish) in the presence of liquid (e.g. water, wine, broth, milk)
Low power	1-2	Melt - thaw - keep warm - stir	Ideal for softening butter, gently melting chocolate, thawing small products
	1	Melt - thaw - keep warm - stir	Ideal for keeping small portions of freshly cooked food warm or keeping the temperature of serving dishes and stirring risotto
OFF	Zero power	Support surface	Hob in stand-by or off (possible presence of residual heat from the end of cooking, signalled by H-L-O)

4.2 Cooking tables

Category of foods	Dishes or type of cooking	Power level and cooking pattern			
		First stage	Powers	Second stage	Powers
Pasta, rice	Fresh pasta	Heating water	Booster-9	Cooking pasta and maintaining the boil	7-8
	Fresh pasta	Heating water	Booster-9	Cooking pasta and maintaining the boil	7-8
	Boiled rice	Heating water	Booster-9	Cooking pasta and maintaining the boil	5-6
	Risotto	Frying and roasting	7-8	Cooking	4-5
Vegetables, legumes	Boiled	Heating water	Booster-9	Boiling	6-7
	Fried	Heating oil	9	Frying	8-9
	Sauté	Heating accessory	7-8	Cooking	6-7
	Stewed	Heating accessory	7-8	Cooking	3-4
	Fried	Heating accessory	7-8	Browning fried	7-8
Meats	Roast	Meat browning with oil (if with butter, power 6)	7-8	Cooking	3-4
	Grilled	Pre-heating pan	7-8	Grilling on both sides	7-8
	Browning	Browning with oil (if with butter, power 6)	7-8	Cooking	4-5
	Stew	Browning with oil (if with butter, power 6)	7-8	Cooking	3-4
Fish	Grilled	Pre-heating pan	7-8	Cooking	7-8
	Stew	Browning with oil (if with butter, power 6)	7-8	Cooking	3-4
	Fried	Heating oil or fat	8-9	Frying	7-8
Eggs	Omelettes	Heating pan with butter or fat	6	Cooking	6-7
	Omelettes	Heating pan with butter or fat	6	Cooking	5-6
	Soft boiled/boiled	Heating water	Booster-9	Cooking	5-6
	Pancakes	Heating pan with butter	6	Cooking	6-7
Sauces	Tomato	Browning with oil (if with butter, power 6)	6-7	Cooking	3-4
	Meat sauce	Browning with oil (if with butter, power 6)	6-7	Cooking	3-4
	Béchamel	Preparing the base (melt butter and flour)	5-6	Bring to simmering point	3-4
Desserts, creams	Custard	Boil the milk	4-5	Keep simmering	4-5
	Puddings	Boil the milk	4-5	Keep simmering	2-3
	Rice pudding	Heat the milk	5-6	Keep simmering	2-3

5. Maintenance

Hob maintenance

Caution! Before any cleaning or maintenance, make sure the cooking zones are switched off and the heat indicator has turned off.

5.1 Cleaning

The hob must be cleaned after each use.

Important:

Do not use abrasive sponges, scouring pads. Their use, over time, may ruin the glass.

Do not use chemical irritants, such as oven sprays or stain removers.

After each use, leave the hob to cool and clean it to remove deposits and stains caused by food residue.

Sugar or food with a high sugar content damages the hob and must be immediately removed.

Salt, sugar and sand may scratch the glass surface.

Use a soft cloth, paper towel or specific products to clean the hob (follow the Manufacturer's instructions).

DO NOT USE STEAM JET CLEANERS!!!

Important:

If liquids accidentally or excessively leak out of the pots, the drain valve located on the lower part of the product can be opened so as to remove any residue and be able to clean in conditions of maximum hygiene.

Fig.18

For a more complete and in-depth clean, the lower tray can be completely removed.

Fig.18a - 18b

Extractor fan maintenance

Cleaning

For cleaning, use **ONLY** a cloth moistened with neutral liquid detergents. **DO NOT USE CLEANING UTENSILS OR TOOLS!**

Avoid the use of products containing abrasives.

DO NOT USE ALCOHOL!

Grease filter

Fig. 15-16

Traps grease particles generated by cooking.

Must be cleaned once per month (or when the filter saturation indication system indicates this need), with non-aggressive detergents, either manually or in the dishwasher at a low temperature and in a short cycle.

When cleaned in the dishwasher, the metal grease filter may discolour, but its filtering characteristics remain unchanged.

Activated carbon filters

(Only for Filtration Version)


Fig. 17 – 17a – 17b – 17c

Traps unpleasant odours generated by cooking.

The product is equipped with four filter packs that trap odours thanks to the activated carbons. The activated carbons are incorporated into a ceramic structure, making them easily and completely accessible by impurities, thus creating a large absorption surface.

The **ceramic activated carbon filters** will become saturated after a more or less prolonged period of use, depending on the type of cooking and frequency with which the grease filters are cleaned. These odour filters can be thermally regenerated every 2/3 months in an oven preheated to 200°C for 45 minutes. Regeneration allows a maximum filter lifespan of 5 years.

5.2 Troubleshooting

ERROR CODE	DESCRIPTION	POSSIBLE CAUSES	ERROR REMOVAL
E2	The command zone switches off due to an excessively high temperature	The temperature inside the electronic parts is too high	Wait for the hob to cool before reusing it
ERR03 + acoustic signal 	Continuous (permanent) key activation is detected. The interface switches off after 10 seconds.	Water, pots or kitchen tools are on top of the user interface.	Clean the surface, remove any objects from the surface.
For all other error signals (E ... U ...)	Call customer service and report the error code		

5.3 Customer service

Before contacting Customer Service

1. Check that you cannot solve the problem yourself based on the points described in "Troubleshooting".
2. Switch the device off and on again to see if the problem resolves itself.

If the fault persists after the above checks, contact the nearest Customer Service.

Bitte halten Sie sich genau an die in dieser Anleitung enthaltenen Anweisungen. Es wird keinerlei Haftung übernommen für Probleme, Schäden oder Brände, die durch Nichteinhaltung der in diesem Handbuch aufgeführten Anweisungen verschuldet wurden. Das Gerät ist ausschließlich für den Hausgebrauch bestimmt, zum Kochen von Speisen und Absaugen von Rauch der beim Kochen selbst entsteht. Es ist keine andere Nutzung erlaubt (z. B. das Wärmen von Räumen). Der Hersteller übernimmt keine Verantwortung für eine unsachgemäße Verwendung oder falsche Einstellung des Gerätes.

Das Produkt kann sich in seinem Aussehen, von den in dieser Broschüre dargestellten Abbildungen unterscheiden, jedoch bleiben die Anweisungen für den Gebrauch, die Wartung und die Installation gleich.

Es ist wichtig diese Anleitung aufzubewahren, um sie jederzeit heranziehen zu können. Im Falle eines Verkaufes, Abgabe oder Umzugs, stellen Sie sicher, dass die Gebrauchsanweisung dem Produkt beigelegt ist.

- ! Lesen Sie die Anweisungen sorgfältig; sie liefern wichtige Informationen über die Installation, Verwendung und Sicherheit.
- ! Führen Sie dem Produkt keine elektrischen Veränderungen zu.
- ! Bevor Sie mit der Installation des Gerätes fortfahren, überprüfen Sie ob alle Komponenten unbeschädigt sind. Anderenfalls kontaktieren Sie Ihren Händler und fahren Sie nicht mit der Installation fort.
- ! Überprüfen Sie die Integrität des Gerätes bevor Sie mit der Installation fortfahren. Anderenfalls kontaktieren Sie Ihren Händler und fahren Sie nicht mit der Installation fort.

Hinweis: Die mit dem“(*)“ Symbol versehenen Elemente sind optionales Zubehör, welche nur bei einigen Modellen vorhanden sind oder Teile die nicht im Lieferumfang enthalten sind und getrennt zu erwerben sind.



1. Warnungen

Achtung! Befolgen Sie die exakt die folgenden Anweisungen:

- Das Gerät muss vor der Durchführung von jeglichen Arbeiten von der Stromversorgung getrennt werden.
- Die Installation oder Wartungen müssen, von einem qualifizierten Techniker, entsprechend den Anweisungen des Herstellers und mit Berücksichtigung der

örtlichen Vorschriften in Bezug auf Sicherheit durchgeführt werden. Reparieren Sie kein Teil des Geräts oder ersetzen Sie es nicht, sofern dies nicht ausdrücklich in der Bedienungsanleitung angegeben ist.

- Es ist Pflicht, dass das Gerät geerdet wird.
- Das Netzkabel muss lang genug sein, um die Verbindung des Gerätes im eingebauten Zustand an das Stromnetz zu ermöglichen.
- Damit die Installation den aktuellen Sicherheitsbestimmungen entspricht, muss ein Leitungsschutzschalter eingebaut sein, der die vollständige Trennung vom Netz, unter den Bedingungen der Überspannungskategorie III, in Übereinstimmung mit den Installationsanweisungen, gewährleisten.
- Keine Mehrfachsteckdosen oder Verlängerungskabel verwenden.
- Wenn die Installation abgeschlossen ist, müssen die elektrischen Komponenten, dem Benutzer unzugänglich sein.
- Das Gerät und seine zugänglichen Teile werden bei Betrieb heiß. Achten Sie darauf, die erhitzten Elemente nicht zu berühren.
- Achten Sie darauf, dass Kinder nicht mit dem Gerät spielen; behalten Sie ihre Kinder im Auge und halten Sie sie vom Gerät fern, da die zugänglichen Teile während des Betriebs heiß werden

können.

- Für Menschen mit Herzschrittmachern und aktiven Implantaten ist es wichtig, vor dem Gebrauch des Induktionsherdes, zu überprüfen, ob Ihr Herzschrittmacher mit dem Gerät kompatibel ist.

-.Während und nach dem Gebrauch die Heizelemente des Gerätes nicht berühren.

-Vermeiden Sie den Kontakt mit Tüchern oder anderen brennbaren Materialien, bis nicht alle Komponenten des Gerätes ausreichend abgekühlt sind.

-Auf dem Gerät oder in dessen Nähe keine brennbaren Materialien abstellen.

-Überhitzte Fette und Öle können leicht Feuer fangen. Überwachen Sie das Kochen von Lebensmitteln, die reich an Fett und Öl sind.

-Falls die Oberfläche rissig wird, schalten Sie das Gerät aus, um die Möglichkeit eines Stromschlages zu vermeiden.

-Das Gerät ist nicht dafür bestimmt, mit Hilfe eines externen Timers (Zeitschaltuhr) oder einer separaten Fernbedienung, in Betrieb genommen zu werden.

-Das unbeaufsichtigte Kochen auf einem Herd, mit Öl oder Fett, kann gefährlich sein und zu einem Brand führen.

- Der Kochvorgang muss überwacht werden. Auch ein kurzer Kochvorgang muss kontinuierlich überwacht werden.

- Versuchen Sie NIE Flammen mit Wasser zu löschen. Im Gegenteil, schalten Sie zuerst das Gerät aus und

ersticken Sie die Flammen dann zum Beispiel mit einem Deckel oder einer Löschdecke. Brandgefahr: Stellen Sie keine Gegenstände auf der Kochflächen ab.

- Keine Dampfreiniger verwenden.

-Legen Sie keine Metallgegenstände wie Messer, Gabeln, Löffel und Deckel auf der Oberfläche des Kochfeldes ab, da sie sich überhitzen könnten.

- Bevor Sie dieses Modell an das Stromnetz anschließen: Überprüfen Sie das Typenschild (auf der Unterseite des Geräts), um sicherzustellen, dass die Spannung und die Stromversorgung dem des Stromnetzes entsprechen und die Steckdose geeignet ist. Im Zweifelsfall rufen Sie einen qualifizierten Elektriker.

Wichtig:

- Nach dem Gebrauch schalten Sie das Kochfeld an seinem Steuergerät aus und verlassen Sie sich nicht auf den Sensor.

- Vermeiden Sie das Verschütten von Flüssigkeiten, indem Sie, beim Kochen oder Erhitzen von Flüssigkeiten, die Wärmezufuhr reduzieren.

- Lassen Sie auf den eingeschalteten Kochflächen keine leeren Töpfe oder Pfannen stehen und stellen Sie keinesfalls etwas ohne Kochgeschirr ab.

- Sobald sie mit dem Kochen fertig sind, schalten Sie das jeweilige Kochfeld aus.

- Benutzen Sie zum Kochen niemals Alufolie bzw. stellen Sie niemals etwas, das in Alufolie verpackt ist, direkt auf dem Kochfeld ab. Das Aluminium würde schmelzen und Ihr Gerät irreparabel

beschädigen.

- Erhitzen Sie niemals eine mit Nahrungsmittel gefüllte Dose oder Konserve aus Blech, ohne sie vorher geöffnet zu haben: Sie könnte explodieren!

Diese Warnung richtet sich an alle Kochflächen.

- Das Verwenden einer erhöhten Leistung wie z.B. Die Booster Funktion ist für das Erwärmen einiger Flüssigkeiten wie z.B. von Frittieröl ungeeignet. Die erhöhte Hitze könnte gefährlich sein. In solchen Fällen wird zu einer niedrigeren Stufe geraten.

- Das Kochgeschirr muss direkt auf dem Herd gestellt werden und muss zentriert werden. Auf keinen Fall irgendetwas zwischen dem Kochgeschirr und dem Herd legen.

- Im Fall von erhöhter Temperatur senkt das Gerät automatisch die Stromzufuhr des jeweiligen Kochfeldes ab.

Vor jedem Reinigungsingriff oder Wartung, trennen Sie das Gerät vom Stromnetz indem Sie den Stecker ziehen oder schalten Sie den Strom am Hauptschalter des Hauses im Sicherungskasten aus.

Verwenden Sie für alle Installations- und Wartungsarbeiten Handschuhe.

Das Gerät kann von Kindern, ab einem Alter von mindestens 8 Jahren, benutzt werden und von Menschen mit eingeschränkten physischen, motorischen oder geistigen Fähigkeiten

oder Mängel an Erfahrung oder notwendiger Kenntnis, sofern sie unter Aufsicht stehen oder nachdem sie in die sichere Benutzung des Gerätes eingeführt wurden und sie sich den Gefahren, die von dem Gerät ausgehen, bewusst sind.

Kinder sollten beaufsichtigt werden, um sicherzustellen, dass sie nicht mit dem Gerät spielen.

Die Reinigung und Wartung darf nicht von Kindern ohne Aufsicht durchgeführt werden.

Der Raum muss ausreichend belüftet sein, wenn die Dunstabzugshaube zusammen mit anderen Geräten mit Gasverbrennung oder andere Brennstoffe verwendet wird.

Die Haube muss regelmäßig sowohl von Innen als auch von Außen gereinigt werden (MINDESTENS EINMAL PRO MONAT), dabei aber genau die Angaben der Bedienungsanleitung befolgen.

Das nicht beachten der Vorgaben bezüglich der Reinigung der Haube und dem Erneuern bzw. Reinigen der Filter kann Brände verursachen.

Es ist strengstens verboten, Essen über offener Flamme zu kochen.

Die Verwendung von offenen Flammen ist für die Filter schädlich und kann Brände verursachen und muss daher in jedem Fall vermieden werden.

Jegliches Frittieren muss mit Sorgfalt erfolgen, um zu vermeiden, dass das überhitzte Öl Feuer fangen kann.

ACHTUNG: Wenn der Herd in Gebrauch ist, können die zugänglichen Teile der

Haube heiß werden.

Achtung! Schließen Sie das Gerät nicht an das Stromnetz an, bis die Installation vollständig abgeschlossen ist.

Was die technischen und die Sicherheitsmaßnahmen bezüglich dem Abzug der Dämpfe angeht, halten Sie sich strikt an die Vorschriften der örtlichen Behörden.

Die angesaugte Luft darf nicht über das selbe Abluftrohr abgeleitet werden, das für die Abfuhr von Rauchgasen, die durch Gasverbrennung oder die Verbrennung anderer Brennstoffen erzeugt werden, verwendet wird.


Benutzen Sie die Haube nicht ohne die Lampen richtig montiert zu haben oder gar ohne jegliche Lampen, da die Gefahr eines elektrischen Schlags besteht.

Verwenden Sie die Haube nie ohne das Gitter korrekt eingebaut zu haben!

Bei der Montage, verwenden Sie nur die mitgelieferten Schrauben, oder, falls nicht im Lieferumfang enthalten, erwerben Sie Schrauben gemäß der Vorgaben. Verwenden Sie bei den Schrauben die richtige Länge, wie sie im Montagehandbuch angegeben werden. Wenn die Dunstabzugshaube und gleichzeitig andere Geräte, die eine andere Energiequelle als Strom haben, in Betrieb sind, darf der Unterdruck im Raum nicht mehr als 4 Pa überschreiten (4×10^{-5} bar)..

Dieses Gerät entspricht der EU-Richtlinie 2012/19/EU, Waste Electrical and Electronic Equipment (WEEE-Richtlinie). Stellen Sie sicher, dass dieses Gerät gemäß den Vorschriften entsorgt wird, so verhindern Sie mögliche negativen Folgen für die Umwelt und die Gesundheit.



Die Kennzeichnung  auf diesem Produkt oder den Begleitpapieren gibt an, dass dieses Produkt nicht als Hausmüll entsorgt werden darf, sondern muss an einer Sammelstelle für das Recycling von elektrischen und elektronischen Geräten abgegeben werden. Bei der Entsorgung beachten Sie bitte die örtlichen Vorschriften. Weitere Informationen über die Behandlung, Verwertung und das Recycling dieses Produkts erhalten Sie in Ihrem Rathaus, bei Ihrer Müllabfuhr oder bei dem Händler, wo das Produkt erworben wurde.

Dieses Gerät wurde gemäß den folgenden Vorschriften entwickelt, getestet und hergestellt:

- Sicherheit: EN / IEC 60335-1; EN / IEC 60335-2-6, EN / IEC 60335-2-31, EN / IEC 62233.
- Leistung: EN / IEC 61591; ISO 5167-1; ISO 5167-3; ISO 5168; EN / IEC 60704-1; EN / IEC 60704-2-13; EN / IEC 60704-3; ISO 3741; EN 50564; IEC 62301.
- EMC: EN 55014-1; CISPR 14-1; EN 55014-2; CISPR 14-2; EN / IEC 61000-3-3; EN / IEC 61000-3-

12. Empfehlungen für eine richtige Benutzung, um die Umweltbelastung zu reduzieren: Wenn Sie zu kochen beginnen, schalten Sie die Haube auf der niedrigsten Geschwindigkeit ein und lassen Sie sie nach Beendigung des Kochvorgangs noch für einige Minuten eingeschaltet. Erhöhen Sie die Geschwindigkeit nur im Fall von großen Mengen an Rauch und Dampf und verwenden Sie die Booster-Funktion nur in extremen Fällen. Um die Effizienz der Reduktion von Gerüche aufrecht zu erhalten, ersetzen Sie wenn nötig, den/die Kohlefilter. Um die Effizienz des Fettfilters aufrecht zu erhalten, reinigen Sie diesen bei Bedarf. Zur Optimierung der Effizienz und um Geräusche zu minimieren, verwenden Sie beim Abluftsystem den maximalen Durchmesser der in diesem Handbuch angegeben ist.

2. Betriebsart

Kochen mit Induktion

Das Induktionskochsystem beruht auf dem physikalischen Phänomen der magnetischen Induktion. Das wesentliche Merkmal dieses Systems ist die direkte Energieübertragung von dem Energiegenerator an den Topf.

Vorteile:

Wenn Sie dies mit Elektroherden vergleichen, werden Sie feststellen, dass es:

- **sicherer ist:** niedrigere Temperatur auf der Glasoberfläche.
- **schneller ist:** schnelleres Erhitzen von Gerichten.
- **genauer ist:** Kochfeld reagiert sofort auf Ihre Befehle
- **effizienter ist:** 90% der aufgenommenen Energie wird in Wärme umgewandelt. Darüber hinaus wird die Wärmeübertragung sofort abgebrochen, sobald Sie die Pfanne von der Oberfläche entfernen und so unnötige Wärmeverluste vermieden.

2.1 Kochgeschirr

Verwenden Sie nur Kochgeschirr, das mit dem Symbol



versehen ist.

Wichtig:

um dauerhafte Schäden an der Oberfläche des Kochfeldes zu vermeiden, verwenden Sie nicht:

- Behälter mit einem zu 100% flachen Boden.
- Metallbehälter mit emailliertem Boden.
- Behälter mit einem rauen Untergrund, um zu verhindern, dass die Oberfläche des Kochfeldes verkratzt wird.
- Stellen Sie niemals heiße Töpfe und Pfannen auf der Oberfläche des Bedienfeldes ab.

2.1.1 Kochgeschirmaterial

Das Induktionskochverfahren verwendet Magnetismus, um Wärme zu erzeugen. Das Kochgeschirr muss daher Eisen enthalten. Sie können einfach mit einem Magneten überprüfen, ob eine Pfanne aus magnetischem Material besteht. Kochgeschirr ist ungeeignet, falls Sie keine magnetische Anziehungskraft erkennen können.

2.1.2 Abmessung des Kochgeschirrs

WICHTIG: Wenn die Töpfe nicht die richtige Größe haben, werden sich die Kochfelder nicht einschalten.

Um den richtigen Durchmesser der Töpfe in Bezug auf jedes einzelne Feld festzustellen, ziehen Sie den illustrierten Teil dieser Gebrauchsanweisung zu Rate.

2.2 Energieeinsparung

Um bessere Ergebnisse zu erhalten, empfehlen wir:

- Verwenden Sie nur Töpfe und Pfannen, deren Bodendurchmesser mit dem des Kochfeldes übereinstimmt.
- Verwenden Sie nur Töpfe und Pfannen mit flachem Boden.
- Wenn möglich, benutzen Sie einen Deckel während des Kochvorgangs.
- Kochen Sie Gemüse, Kartoffeln usw. mit einer geringen Menge an Wasser, um die Kochzeit zu reduzieren.
- Das Verwenden eines Schnellkochtopfs reduziert den Stromverbrauch und die Garzeit
- Stellen Sie den Topf in die Mitte des aufgezeichneten Kochfeldes.

Die Benutzung der Abzugshaube

Die Abzugshaube kann entweder im Abluftbetrieb oder im



Abluftbetrieb

Umluftbetrieb benutzt werden.

Abb.7

Die Dämpfe werden durch eine Reihe von Rohren nach draußen geleitet (die als Sonderzubehör getrennt erworben werden müssen), welche an den mitgelieferten Anschlussstutzen befestigt werden müssen.

Der Durchmesser des Abluftrohres muss mit dem des Anschlussrings übereinstimmen:

- Im Fall eines rechteckigen Austritts 222 x 89 mm
- Im Fall eines runden Austritts Ø 150 mm (*)

Für weitere Informationen ziehen Sie die Seite über das Zubehör der Abzugshaube dieses Handbuchs zu Rate.

Abb. 7c

Schließen Sie das Gerät an Rohrleitungen und Wandabzugslöcher an, deren Durchmesser dem Luftauslass entsprechen (Anschlussstutzen).

Die Verwendung von Rohren und Wandabzugslöchern mit einem kleineren Durchmesser wird eine Verringerung der Absaugleistung und eine drastische Erhöhung des Geräuschpegels zur Folge haben.

Es wird daher diesbezüglich keinerlei Verantwortung übernommen.

! Reduzieren Sie die Länge des Rohres auf das Notwendigste.

! Verwenden Sie ein Rohr mit einer möglichst geringen Anzahl an Kurven (maximal zugelassener Winkel: 90°).

! Vermeiden Sie drastische Unterschiede im Durchmesser des Rohres.



Umluftbetrieb

Abb.8Die angesaugte Luft wird durch spezielle Fettfilter und Geruchsfilter gefiltert, bevor sie wieder dem Raum zugeführt wird.

Das Produkt wird mit allem Notwendigsten geliefert, das Sie für eine Standardmontage, mit einem Luftauslass an der Vorderseite des Sockels, benötigen.

Im Lieferumfang sind bereits vier Sätze Keramik-Filter mit Aktivkohle für hohe Leistung enthalten. Keramik-Filter sind innovative modulare Kohlefilter, der regenerierbar ist (Lesen Sie dazu auch im Kapitel „Wartung“ den Abschnitt „Aktivkohlefilter“).

Die physikalisch-chemischen Eigenschaften ermöglichen eine hohe Effizienz was die Aufnahme von Gerüchen betrifft und lange mechanische Beständigkeit.

Für weitere Informationen konsultieren Sie die zum Zubehör des Umluftbetriebes gehörige Seite (im illustrierten Teil dieses Handbuchs).

Abb. 13b

3. Befestigung

Sowohl der elektrische Anschluss, als auch der mechanische Einbau, darf nur von ausgebildetem Personal durchgeführt werden.

Das Elektro-Haushaltsgerät ist für den Einbau in eine Arbeitsfläche mit einer Stärke von 2-6 cm bei einer TOP-Installation und 2,5 – 6 cm bei einer FLUSH-Installation hergestellt worden.

Der Mindestabstand zwischen dem Kochfeld und der Wand muss vorne mindestens 5 cm und an der Seite mindesten 4 cm und mindestens 50 cm zu den oberen Hängeschränken sein.

HINWEIS: Die empfohlenen Abstände sind Richtwerte: Bei der Planung der Räume müssen die Anweisungen des Herstellers der Küche befolgt werden.



3.1 Elektrischer Anschluss

Abb. 3

-Trennen Sie das Gerät vom Stromnetz

-Der Anschluss muss von qualifiziertem Personal, mit Kenntnisse über die Vorschriften bezüglich der Installation und Sicherheitsfragen, durchgeführt werden.

-Der Hersteller übernimmt keine Verantwortung für Menschen, Tiere oder Dinge im Falle eines Nichtbeachtens der im vorangehenden Kapitel genannten Vorgaben.

-Das Netzkabel muss lang genug sein, um das Entfernen des Kochfeldes von der Arbeitsplatte zu ermöglichen,

-Stellen Sie sicher, dass die Spannung, die auf dem Typenschild auf der Unterseite des Gerätes angegeben ist, der des Hauses entspricht in dem es installiert wird.

-Verwenden Sie keine Verlängerungskabel.

- Die Erdung ist gesetzlich vorgeschrieben.

- Das Kabel für die Erdung muss 2cm länger als die anderen Kabel sein.

- Falls das Gerät nicht mit einem Netzkabel geliefert wird, ist ein Leiter mit einem Querschnitt von mindestens 2,5 mm und einer Leistung bis 7200 Watt zu verwenden; während es für höhere Spannungen 4 mm sein müssen.

- Das Kabel darf an keiner Stelle eine Temperatur von mehr als 50 °C über der der Raumtemperatur erreichen.

- Das Gerät ist für einen dauerhaften Anschluss an das Stromnetz gedacht, deshalb muss der Anschluss an das Stromnetz über einen Fehlerstrom-Schutzschalter erfolgen, der die vollständige Trennung vom Stromnetz unter der oben genannten Überspannungskategorie III garantiert und nach dem Einbau leicht erreichbar ist.

Hinweis : Um das Elektrohaushaltsgerät mit dem optionalen einphasigen Anschluss anzuschließen, muss das vorhandene Kabel abgenommen werden und mit einem anderen Kabeltyp (nicht mitgeliefert) mit den folgenden Spezifikationen ausgetauscht werden :
Einphasiger Anschluss : Kabel H05V2V2-3 4G

Abb. 3a

Achtung! Bevor Sie die Stromversorgung wiederherstellen und ihre korrekte Funktion überprüfen, überprüfen Sie immer ob das Netzkabel korrekt angeschlossen ist.

Achtung! Der Austausch des Verbindungskabels muss von einem autorisierten Servicemitarbeiter durchgeführt werden oder von einer Person mit ähnlicher Eignung.

Hinweis: Das Produkt ist mit der Funktion „Power Limitor“ (Leistungsbegrenzung) ausgestattet, die es ermöglicht einen maximalen Grenzwert bezüglich der kW Aufnahme einzustellen. Die Einstellung muss bei Anschluss des Gerätes an das Stromnetz oder bei einer Wiederherstellung des Stromnetzes selbst durchgeführt werden (innerhalb der darauffolgenden 2 Minuten).
Für die Abfolge zur Einstellung der Leistungsbegrenzung konsultieren Sie dieses Handbuch im Abschnitt „Betrieb“.

3.2 Montage

Vor dem Einbau:

- Nachdem Sie das Produkts ausgepackt haben, stellen Sie sicher, dass es keine Schäden während des Transports erlitten hat und im Falle von Problemen, kontaktieren Sie Ihren Händler oder den Kundendienst, bevor Sie mit dem Einbau fortfahren.
- Überprüfen Sie, ob das erworbene Produkt von seinen Ausmaßen, in den von Ihnen ausgewählten Einbauort, passt.
- Überprüfen Sie, dass sich im Inneren der Verpackung keine Zubehörteile (wie z.B. Tütchen mit Schrauben, Garantie etc.) befinden (aus Transportgründen), welche gegebenenfalls entfernt und aufbewahrt werden müssen.
- Stellen Sie des weiteren sicher, dass in der Nähe des Montagebereichs eine Steckdose zur Verfügung steht.

Überprüfung des Einbauorts:

- Das Gerät darf nicht über folgenden Geräten eingebaut werden: Geräte die der Kühlung dienen, Geschirrspülmaschinen, Herde, Öfen, Waschmaschinen und Trockner.
- Alle Schneidarbeiten am Einbauort müssen vor dem Einsetzen des Kochfeldes durchgeführt werden und Holzsplitter oder Sägespäne müssen gründlich entfernt werden.

WICHTIG: Verwenden Sie einen Dichtkleber (1 Komponente) mit einer Temperaturbeständigkeit bis 250°C;

Vor dem Einbau müssen alle Oberflächen gründlich gereinigt werden um alle Substanzen, die eine Haftung beeinträchtigen könnten, zu beseitigen. (z.B.: Trennmittel, Konservierungsstoffe, Fette, Öle, Staub, Rückstände alter Klebstoffe etc.); Der Klebstoff muss gleichmäßig über den gesamten Umfang des Rahmens verteilt werden; nach dem Einkleben muss der Kleber für etwa 24 Stunden trocknen.

Abb. 1b

ACHTUNG! Die mangelhafte Verwendung von Schrauben und anderen Befestigungselementen, gemäß dieser Anleitung, kann Gefahren elektrischen Ursprungs verursachen

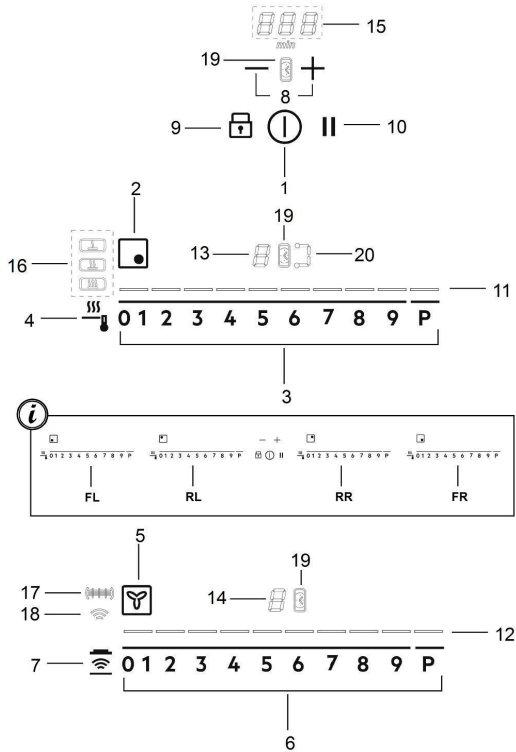
Hinweis: Für den korrekten Einbau dieses Gerätes ist es empfehlenswert die Rohre mit einem Klebeband, mit folgenden Eigenschaften, zu umwickeln:

- Elastisches Klebeband aus weichem PVC mit einem Klebstoff auf Acrylsäure Basis
- Entsprechend der DIN EN 60454 Norm
- Schwer entflammbar
- Sehr gute Alterungsbeständigkeit
- Beständig gegen Temperaturschwankungen
- Einsetzbar bei niedrigen Temperaturen

4. Gerätebeschreibung

Bedienfeldanordnung

Anmerkung: Um die Steuerungen zu wählen, ist es ausreichend, die Symbole, die sie darstellen, zu berühren (drücken)



Tasten

1. EIN/AUS Kochfeld/ Gebläse
2. Anzeige Position des Kochbereichs
3. Einstellung Leistungsstufe der jeweiligen Kochzone
4. Aktivierung Temperatur-Manager
5. Anzeige automatische Abzugsfunktion
6. Einstellung Abzugsleistung Gebläse
7. Aktivierung automatische Absaugfunktion
- Neustart Sättigungsanzeige der Filter
8. Aktivierung Timer
- Erhöhung/Verringerung Zeit Timer
9. Tastensperre
- 9+10. Kindersicherung
10. Pause / Memory

Display / LED

11. Visualisierung Power Level
12. Visualisierung Geschwindigkeit (Leistung) der Ansaugung
13. Display Kochbereich
14. Display Gebläse
15. Display Timer
16. Anzeige Temperatur-Manager
17. Anzeige Filterwechsel
18. Anzeige automatische Absaugfunktion
19. Anzeige Timer aktiv
20. Anzeige Bridge-Funktion aktiv

VERWENDUNG DES KOCHFELDS


Was vor dem Beginn zu wissen ist:

Alle Funktionen dieses Kochfelds wurden unter Beachtung der strengsten Sicherheitsvorschriften geplant.

Aus diesem Grund:

• **Einige Funktionen aktivieren sich nicht oder deaktivieren sich automatisch in Abwesenheit von Töpfen auf dem Herd oder wenn diese falsch positioniert sind.**


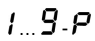




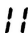

• In anderen Fällen deaktivieren sich die aktivierten Funktionen automatisch nach wenigen Sekunden, wenn die gewählte Funktion eine weitere Einstellung, die nicht eingegeben wurde, benötigt (z.B.: "Das Kochfeld einschalten" ohne "Den Kochbereich wählen" und die "Betriebstemperatur", oder die "Funktion Lock" oder diejenige des "Timer").

 **Achtung!** Im Falle (zum Beispiel) von längerer Verwendung könnte das Abschalten des Kochbereichs nicht umgehend erfolgen, da er sich in Phase der Abkühlung befindet; auf dem Display der Kochbereiche erscheint das Symbol "H", um anzuzeigen, dass er sich in dieser Phase befindet.

Warten Sie ab, dass das Display ausgeht, bevor Sie sich dem Kochbereich nähern.

Display Kochbereich

Auf den Displays bezüglich der Kochbereiche wird Folgendes angezeigt:

Eingeschalteter Kochbereich	
Kochstufe	
<u>Restwärmeanzeige</u>	
<u>Topferkennung</u>	
Funktion Temperatur-Manager aktiv	
Funktion Kindersicherung aktiv	
Funktion Pause	
Funktion Ankochoautomatik	

Eigenschaften des Kochfelds

● Aktivierung Kochfeld

Das Produkt aktiviert sich nur in Anwesenheit von Töpfen auf dem Kochfeld: Der Heizprozess startet nicht oder unterbricht sich im Falle der Abwesenheit oder Entfernung der Töpfe.

● Topferkennung

Das Produkt erfasst automatisch das Vorhandensein von Töpfen auf den Kochbereichen.

● Sicherheitsabschaltung

Aus Sicherheitsgründen besitzt jeder Kochbereich eine maximale Betriebsdauer, die vom eingestellten Leistungsniveau abhängt.


● Restwärmeanzeige

Beim Abschalten von einem oder mehreren Kochbereichen wird die Anwesenheit von Restwärme mit entsprechendem optischen Signal auf dem Display des bezüglichen Kochbereichs durch das Symbol "H" angezeigt.

Funktionsweise

Anmerkung: Zur Aktivierung jeglicher Funktion ist es vorher notwendig, den gewünschten Bereich zu aktivieren

● Einschalten

EIN/AUS Kochfeld/ Gebläse  drücken (**berühren**)
Die Kontrolllampe leuchtet zur Anzeige auf, dass das Kochfeld/ Gebläse bereit zur Verwendung ist
Zum Abschalten erneut drücken

Anmerkung: Diese Funktion hat den Vorrang vor allen anderen.

● Wahl der Kochbereiche

Die **Auswahlleiste (3)** entsprechend des gewünschten Kochbereichs berühren (drücken).

● 9 Leistungsstufen

Das Feld besitzt 9 Leistungsstufen
Mit den Fingern längs der **Auswahlleiste (3)** berühren und durchlaufen:
nach rechts, um die Leistungsstufe zu erhöhen;
nach links, um die Leistungsstufe zu senken;

● Power-Funktion

Das Produkt ist mit einer zusätzlichen Leistungsstufe ausgestattet (über der Stufe **9**), die für 10 Minuten aktiv bleibt, danach kehrt die Leistung auf die vorhergehende Stufe zurück.

Mit den Fingern längs der **Auswahlleiste (3)** (über der Stufe **9**) berühren und durchlaufen und die Power-Funktion aktivieren

Die Power-Funktion wird auf dem Display des Kochbereichs mit dem Symbol "P" angezeigt

● **Bridge-Funktion**


Diese Funktion verbindet zwei übereinanderliegende Kochzonen miteinander. Sie funktionieren dann wie eine Kochzone. Diese Funktion erlaubt ein gleichmäßiges Garen mit Backformen und Töpfen von größeren Abmessungen.

Es ist möglich, den vorderen Kochbereich "Master" in Kombination mit dem entsprechenden hinteren "Nebenbereich" zu verwenden (konsultieren Sie, um zu prüfen, auf welchen Bereichen diese Funktion vorgesehen ist, den Teil der Abbildungen dieses Handbuchs).

Um die Bridge-Funktion zu aktivieren:

- gleichzeitig die beiden Kochbereiche, die man zu verwenden wünscht, wählen

- die Anzeige Bridge (20) des Kochbereichs "Nebenbereich"

leuchtet auf "  "


- durch die **Auswahleiste (3)** des Kochbereichs "Master" ist es möglich, die Betriebsstufe einzustellen







- um die Bridge-Funktion zu deaktivieren, ist es ausreichend, die gleiche Prozedur der Aktivierung zu wiederholen

● **Temperatur-Manager**


Temperature Manager ist eine Funktion, die erlaubt, die voreingestellte Temperatur geeigneter einzustellen, um die gewünschte Art von Ergebnis zu erhalten (konsultieren Sie die Tabelle Temperatur-Manager am Ende dieses Kapitels).

Wählen Sie den gewünschten Kochbereich.

• Drücken Sie ein- oder mehrmals  (4), um die geeignetste Stufe zu wählen:

	Schmelzen*	
	Erwärmen*	
	Köcheln*	
* Konsultieren Sie die Tabelle Temperature Manager am Ende dieses Kapitels.		


• Drücken Sie erneut, um abzuschalten.

Auf dem Display des Kochbereichs, der mit Temperature Manager in Betrieb ist, erscheint das Symbol 

● **Tastensperre**

Die Tastensperre erlaubt, die Einstellungen des Felds zu blockieren, um unbeabsichtigte Änderungen zu verhindern und dabei die bereits eingestellten Funktionen aktiv zu lassen.

Aktivierung:

- Drücken Sie  (9)
- die LED auf der Taste leuchtet zur Anzeige der erfolgten Aktivierung auf



Wiederholen Sie den Vorgang zur Deaktivierung

● **Kindersicherung**

Die Kindersicherung verhindert, dass Kinder unabsichtlich die Kochbereiche und das Gebläse einschalten und versperrt die Aktivierung jeglicher Funktion.

Die Kindersicherung kann nur bei eingeschaltetem Kochfeld, aber mit abgeschalteten Kochbereichen (und Gebläse) aktiviert werden.

Aktivierung:

- entfernen Sie eventuell auf dem Kochfeld vorhandene Töpfe
-  (9) und  (10) gleichzeitig drücken und halten, ein akustisches Signal zeigt an, dass die Funktion eingeschaltet ist und es erscheint "L" auf den Display (13) und (14).

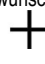
Wiederholen Sie den Vorgang zur Deaktivierung

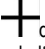

● **Timer**

Die Funktion Timer ist ein Countdown, den man, auch gleichzeitig, auf jedem Kochbereich (und Bereich des Gebläses) einstellen kann.

Am Ende der eingestellten Zeit schalten sich die Kochbereiche (oder Bereiche des Gebläses) automatisch ab und der Benutzer wird mit einem entsprechenden akustischen Signal darauf hingewiesen.

Aktivierung/Einstellung der Funktion Timer für das Kochfeld

- Wählen Sie den gewünschten Kochbereich (Leistung ≠ 0).
- Drücken Sie  (8) zum Zugang zur Funktion Timer
- Die Dauer des Timers einstellen:

den Wahlschalter  drücken, um die Zeit der automatischen Abschaltung zu erhöhen
den Wahlschalter  drücken, um die Zeit der automatischen Abschaltung zu verringern

Gegebenenfalls den Vorgang auch für andere Kochbereiche wiederholen.

Anmerkung: Jeder Kochbereich kann einen verschiedenen Timer eingestellt haben; auf dem Display (15) erscheint für 10 Sekunden der Countdown des letzten, gewählten Kochbereichs, danach wird der Countdown von kürzester Dauer visualisiert.


Wenn der Timer den Countdown beendet hat, ertönt ein akustisches Signal (für 2 Minuten, oder bis eine beliebige Taste am Kochfeld berührt wird), während das Display (15) mit dem Symbol "0.00" blinkt.

Anmerkung: Auf der Seite des Displays des Kochbereichs



erscheint mit aktiviertem Timer das Symbol (19)



Zur Ausschaltung des Timers:

- Wählen Sie den Kochbereich.
- den Wert des Timers auf "0", mittels  einstellen

Anmerkung: Die Funktion bleibt aktiv, wenn in der Zwischenzeit keine anderen Tasten gedrückt werden.

● Kurzzeitwecker

Die Funktion Kurzzeitwecker ist ein Countdown, der unabhängig von den Kochbereichen (und dem Bereich des Gebläses) ist.

Der Kurzzeitwecker wird durch Druck von   (8) aktiviert.


Anmerkung: Befolgen Sie für die Einstellung der Funktion **Kurzzeitwecker** die gleiche Prozedur der Funktion **Timer**

Wenn der Timer den Countdown beendet hat, ertönt ein akustisches Signal (für 2 Minuten, oder bis eine beliebige Taste am Kochfeld berührt wird), während das Display (15) mit dem Symbol "0.00" blinkt.

● Pause


Die Funktion Pause erlaubt, jegliche Funktion, die auf dem Feld aktiv ist, zu unterbrechen und damit die Kochleistung auf Null zu bringen.

Aktivierung:

- Drücken Sie  (10)
- auf den Displays (13) wird eine "!" visualisiert.

Um die Funktion zu deaktivieren:

Anmerkung: Bedingungen des Kochfeld vor der Pause wieder hergestellt.



- Drücken Sie  (10)
- Durchlaufen Sie innerhalb 10 Sekunden mit den Fingern die **Auswahlleiste (3)**, bezüglich des Kochbereichs 2 (ABB.19);
- Anmerkung:** Wenn der Vorgang nicht in dieser Zeitspanne ausgeführt wird, bleibt die Funktion Pause aktiv.

Anmerkung: Wenn nach 10 Minuten die **Funktion Pause** nicht deaktiviert wird, schaltet sich das Kochfeld automatisch ab.

● Memory

Die Funktion Memory erlaubt, alle auf dem Kochfeld eingestellten Einstellungen im Falle eines unbeabsichtigten Abschaltens wiederzuerlangen.

Aktivierung:

- das Feld  innerhalb 6 Sekunden nach der Abschaltung erneut einschalten
- auf  innerhalb weiterer 6 Sekunden drücken

● Ankochautomatik

Die Funktion Ankochautomatik erlaubt, die eingestellte Leistung schneller zu erreichen; diese Funktion hat den Vorteil eines schnelleren Garens, aber ohne das Risiko des Anbrennens der Speisen, da die Temperatur die eingestellte Stufe nicht übersteigt.

Diese Funktion ist für die Leistungsstufen 1 -8 verfügbar.

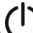
Aktivierung:

- auf der **Auswahlleiste (3)** die gewünschte Leistung für längere Zeit drücken
- auf dem Display (13) wird eine "A" visualisiert.



● Power Limitation

Mit der Funktion Power Limitation kann die Funktionsweise des Produkts so eingestellt werden, dass die maximale Leistungsaufnahme begrenzt wird.

Merke: Die Einstellung muss bei ausgeschaltetem Kochfeld

vorgenommen werden, **ohne** die Taste  zu drücken und zwar beim Anschluss des Kochfeldes mit der Stromversorgung oder der erneuten Verbindung mit der Stromversorgung, innerhalb der nächsten 2 Minuten.

Einstellung der Power Limitation:

-   drücken und solange gedrückt halten, bis ein kurzer Signalton erklingt

- gleichzeitig auf den Slidern **FL und RL**

0 1 2 3 4 5 6 7 8 9 P von rechts nach links scrollen
und lange solange den Buchstaben **P** gedrückt halten, bis ein
kurzer Signalton erklingt

Am Display Timer (**15**) erscheint das Symbol "**CF6**",
was bedeutet, dass nun die Einstellung vorgenommen
werden kann

das Display (7) des **Bereichs FL** zeigt die
Stromeinstellung an**

0 = 7,4 KW



1 = 4,5 KW

** Voreinstellung beträgt 7,4 KW

- um die Einstellung der Power Limitation zu ändern, den
Slider **FL** scrollen 0 1 2 3 4 5 6 7 8 9 P


- von links nach rechts, um die kW zu erhöhen

- von rechts nach links, um die kW zu verringern

- um die Wahl abzuspeichern, Tasten   eine
Sekunde lang drücken;
es erklingt ein Tonsignal, das die Einstellung bestätigt und
die Funktion wird verlassen.

VERWENDUNG DES GEBLÄSES

● Einschalten

EIN/AUS Kochfeld/ Gebläse  drücken (berühren)
Die Kontrolllampe leuchtet zur Anzeige auf, dass das Kochfeld/ Gebläse bereit zur Verwendung ist
Zum Abschalten erneut drücken

Anmerkung: Diese Funktion hat den Vorrang vor allen anderen.

● Einschalten des Gebläses:

Die **Auswahlleiste (6)** berühren (drücken), um das Gebläse zu aktivieren

● Geschwindigkeit (Leistung) des Gebläses:

Mit den Fingern längs der **Auswahlleiste (6)** berühren und durchlaufen:



nach rechts, um die Geschwindigkeit (Leistung) der Ansaugung (0-10) zu erhöhen;

nach links, um die Geschwindigkeit (Leistung) der Ansaugung (10-0) zu verringern;



● Timer

Aktivierung/Einstellung der Funktion Timer für das Gebläse

- Das Gebläse wählen (Geschwindigkeit ≠ 0)
- Zum Zugang zur Funktion Timer (von jeglicher

Geschwindigkeit)   **(8)** drücken


- Die Dauer des Timers einstellen:

den Wahlschalter  drücken, um die Zeit der automatischen Abschaltung zu erhöhen
den Wahlschalter  drücken, um die Zeit der automatischen Abschaltung zu verringern



auf dem Display **(15)** wird der Countdown angezeigt,

Anmerkung: auf der Seite des Displays des Gebläses

erscheint mit aktiviertem Timer das Symbol  **(19)**

Wenn der Timer den Countdown beendet hat, ertönt ein akustisches Signal (für 2 Minuten, oder bis eine beliebige Taste am Kochfeld berührt wird), während das Display **(15)** mit dem Symbol  blinkt.

Zur Ausschaltung des Timers:


- Wählen Sie den Kochbereich.
- den Wert des Timers auf  mittels  einstellen

Anmerkung: Die Funktion bleibt aktiv, wenn in der Zwischenzeit keine anderen Tasten gedrückt werden.

● Anzeige der Filtersättigung

Die Abzugshaube zeigt an, wenn es notwendig ist, die Filterwartung auszuführen:

Fettfilter


LED  **(17)** leuchtet auf


Geruchsfilter mit Aktivkohle

LED  **(17)** blinkt

● Reset Sättigung der Filter

Nach der Filterwartung (Fettfilter und/oder Aktivkohle), Taste


 **(7)** lange drücken ;


LED  geht aus und der Zählvorgang der Anzeige startet erneut.

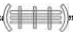
● Aktivierung der Anzeige Sättigung Geruchsfilter mit Aktivkohle

Diese Anzeige ist in der Regel abgeschaltet.

Um sie zu aktivieren:


- Abzugsfläche durch  anschalten;

- Absaugmotor und Kochfeld sind ausgeschaltet,  **(7)** drücken und gedrückt halten;

-  geht an und wieder aus, um die erfolgte Aktivierung anzuzeigen.

● Deaktivierung der Anzeige Sättigung Geruchsfilter mit Aktivkohle

den oben beschriebenen Vorgang der Aktivierung wiederholen



-  geht an und wieder aus, um die erfolgte Deaktivierung anzuzeigen.

● Automatikbetrieb (Hob2Hood)

Die Abzugshaube schaltet sich mit der geeignetsten Geschwindigkeit ein und passt die Saugkapazität den Leistungen der Kochbereiche an.

Wenn das Kochfeld abgeschaltet ist, schaltet die Dunstabzugshaube schrittweise die Absauggeschwindigkeit herunter und entfernt so die restlichen Dämpfe und Gerüche, bevor sie sich ganz abschaltet.

Zum Einschalten dieser Funktion:

 **(7)** drücken, die LED  **(18)** leuchtet zur Anzeige, dass die Abzugshaube in dieser Modalität arbeitet, auf.




Diese Kochfeld mit integriertem Dunstabzug ist für den Gebrauch einer Funk-Abluftsteuerung mit Fensterkontaktschalter (nicht im Lieferumfang enthalten) vorgerüstet.

Wenn die Funk-Abluftsteuerung mit Fensterkontaktschalter eingebaut wird (nur bei Ablufführung), schaltet sich das Gebläse jedes Mal ab, wenn das Fenster im Raum, an dem der Fensterkontaktschalter angebracht wird, geschlossen ist. Dies ist bei der Installation des Abzuges in Räumen mit raumluftabhängigen Feuerstätten erforderlich.

Wir empfehlen die Funk-Abluftsteuerung FDS100 von Elektrotechnik Schabus, die im Fachhandel oder direkt auf der Internetseite www.elektrotechnikschabus.de erhältlich ist.

- Die Funk-Abluftsteuerung für das Kochfeld muss von spezialisiertem Fachpersonal elektrisch angeschlossen werden.

- Der Hersteller des Kochfelds mit Dunstabzug lehnt jede Haftung für Störungen, Schäden oder Brände, die durch Mängel, Fehlfunktion und/oder einer falschen Installation der Funk-Abluftsteuerung verursacht werden.

Temperatur-Manager		Beschreibung
	Schmelzen	Geeignete Leistungsstufe, um temperaturempfindliche Lebensmittel langsam zu schmelzen, ohne die sensorischen Eigenschaften zu beeinträchtigen (ideal für Schokolade, Butter, usw.).
	Erwärmen	Geeignete Leistungsstufe, die es erlaubt, Lebensmittel zu erwärmen, ohne dass Siedetemperaturen erreicht werden.
	Köcheln	Geeignete Leistungsstufe, um Speisen für längere Zeiten köcheln zu lassen. Ideal zum Kochen von Tomatensaucen, Ragout, Suppen, dicken Gemüsesuppen, bei denen ein kontrollierter Garheitsgrad (ideal für das Kochen in Wasserbad) beibehalten wird. Gleichzeitig wird ein Überkochen oder mögliches Anbrennen am Topfboden vermieden. Verwenden Sie diese Funktion, nachdem Sie die Speise aufgekocht haben.

4.1 Leistungstabellen

Leistungsstufe		Tipologia di cottura	Benutzung der Stufe (die Angabe ergänzt Ihre Erfahrung und Ihre Kochgewohnheiten)
Max. Leistung	Power	Schnell aufwärmen	Ideal, um die Temperatur der Lebensmittel in kurzer Zeit zu erhöhen (bis zum schnellen Sieden bei Wasser) sowie um Flüssigkeiten schnell aufzuwärmen
	8-9	Braten - Sieden	Ideal zum Bräunen; zum Ankochen; um tiefgefrorene Produkte zu braten und zum schnellen Sieden
Hohe Leistung	7-8	Bräunen - Anbraten- Sieden- Grillen	Ideal zum Anbraten, um heftig am Sieden zu halten, zum Kochen und Grillen (für kurze Zeiträume, 5-10 Min.)
	6-7	Bräunen - Kochen - Schmoren - Anbraten - Grillen	Ideal zum Anbraten, um leicht am Sieden zu halten, zum Kochen und Grillen (für mittlere Zeiträume, 10-20 Min.)
Mittlere Leistung	4-5	Kochen - Schmoren - Anbraten - Grillen	Ideal zum Schmoren, um sanft am Sieden zu halten, zum Kochen (für lange Zeiträume)
	3-4	Kochen - Einkochen	Ideal zum langen Kochen (Reis, Soßen, Braten, Fisch) mit Flüssigkeiten (z.B. Wasser, Wein, Brühe, Milch)
	2-3	Kochen - Einkochen	Ideal zum langen Kochen (Mengen unter einem Liter, Reis, Soßen, Braten, Fisch) mit Kochflüssigkeiten (z.B. Wasser, Wein, Brühe, Milch))
Niedrige Leistung	1-2	Schmelzen – Auftauen – Warmhalten	ideal um Butter weich zu machen, Schokolade sanft zu schmelzen, um kleine Mengen aufzutauen
	1	Schmelzen – Auftauen – Warmhalten	Ideal, um soeben gekochte Portionen warm zu halten
AUS	Null-Leistung	Ablagefläche	Kochfeld in Bereitschaftsstellung oder aus (Restwärme wird mit H angezeigt)

4.2 Kochtabellen

Lebensmittelkategorie	Gerichte oder Kochvorgang-Art	Leistungsstufe und Kochablauf			
		Erste Phase	Leistungen	Zweite Phase	Leistungen
Nudeln, Reis	Frische Nudeln	Wasser erhitzen	Booster-9	Nudeln kochen und am Sieden halten	7-8
	Frische Nudeln	Wasser erhitzen	Booster-9	Nudeln kochen und am Sieden halten	7-8
	Gesottener Reis	Wasser erhitzen	Booster-9	Nudeln kochen und am Sieden halten	5-6
	Risotto	Anbraten Gemüse und Rösten	7-8	Kochen	4-5
Gemüse und Hülsenfrüchte	Gesottene	Wasser erhitzen	Booster-9	Sieden	6-7
	Gebratene	Aufwärmen vom Öl	9	Braten	8-9
	Sautierte	Kochgeschirr erwärmen	7-8	Kochen	6-7
	Geschmorte	Kochgeschirr erwärmen	7-8	Kochen	3-4
	Angebratene	Kochgeschirr erwärmen	7-8	Angebratene Gemüse goldbraun braten	7-8
Fleisch	Braten	Fleisch mit Öl goldbraun braten (Leistung 6 falls mit Butter)	7-8	Kochen	3-4
	Gegrillt	Vorwärmen des Topfes	7-8	Beidseitig grillen	7-8
	Bräunen	Bräunen mit Öl (Leistung 6 falls mit Butter)	7-8	Kochen	4-5
	Feucht gegartes/geschmortes	Bräunen mit Öl (Leistung 6 falls mit Butter)	7-8	Kochen	3-4
Fisch	Gegrillt	Vorwärmen des Topfes	7-8	Kochen	7-8
	Feucht gegartes/geschmortes	Bräunen mit Öl (Leistung 6 falls mit Butter)	7-8	Kochen	3-4
	Gebratenes	Öl erhitzen	8-9	Braten	7-8
Eier	Frittaten	Erwärmen der Pfanne mit Butter oder Speiseöl	6	Kochen	6-7
	Omelette	Erwärmen der Pfanne mit Butter oder Speiseöl	6	Kochen	5-6
	Weich gekochte/hart gekochte	Wasser erhitzen	Booster-9	Kochen	5-6
	Pancakes	Erwärmen der Pfanne mit Butter	6	Kochen	6-7
Soßen	Tomatensoße	Bräunen mit Öl (Leistung 6 falls mit Butter)	6-7	Kochen	3-4
	Bolognese Fleischsoße	Bräunen mit Öl (Leistung 6 falls mit Butter)	6-7	Kochen	3-4
	Béchamelsoße	Vorbereitung der Basis (Butter und Mehl schmelzen)	5-6	Leicht aufkochen	3-4
Kuchen und andere Süßigkeiten, Cremes	Eiercreme	Milch aufkochen	4-5	Leicht am Sieden halten	4-5
	Puddings	Milch aufkochen	4-5	Leicht am Sieden halten	2-3
	Milchreis	Milch aufwärmen	5-6	Leicht am Sieden halten	2-3

5. Wartung

Wartung der Kochfläche

Achtung! Bevor Sie jegliche Aktion im Bereich Reinigung oder Wartung durchführen, stellen Sie sicher, dass alle Kochfelder ausgeschaltet sind und das die Wärmeanzeige erloschen ist.

5.1 Reinigung

Die Kochfläche muss nach jedem Gebrauch gereinigt werden.

Wichtig:

verwenden Sie keine Scheuermittel, kratzende Schwämme oder Stahlwolle. Ihre Verwendung kann mit der Zeit das Glas beschädigen.

Verwenden Sie keine chemische, ätzende Reinigungsmittel, sowie Backofenreiniger oder Fleckenentferner.

Lassen Sie, nach jedem Gebrauch, die Fläche abkühlen und reinigen Sie sie um Angeklebtes und Flecken durch Essensreste zu entfernen.

Zucker oder Lebensmittel mit hohem Zuckergehalt können die Oberfläche beschädigen und sollten sofort entfernt werden.

Salz, Zucker oder Sand könnten die Glasoberfläche beschädigen.

Benutzen Sie ein weiches Tuch, Küchenpapier oder geeignete Reinigungsmittel (halten Sie sich an die Anweisungen des Herstellers).

VERWENDEN SIE KEINE DAMPFREINIGER!!!

Wichtig:

Im Falle eines Überlaufen von Flüssigkeiten in die Abzugshaube besteht die Möglichkeit, diese über das Ablaufventil an der Unterseite der Bodenwanne des Gerätes ablaufen zu lassen. Damit können alle Reste entfernt und eine hygienische Reinigung gewährleistet werden.

Abb.18

Für eine gründlichere Reinigung können Sie die komplette Bodenwanne entfernen.

Abb.18a - 18b

Wartung der Abzugshaube

Reinigung

Zur Reinigung, benutzen Sie **AUSSCHLIEßLICH** ein feuchtes Tuch mit neutralen Reinigern. **VERWENDEN SIE ZU REINIGUNG KEINE HILFSMITTEL ODER GERÄTE!**

Vermeiden Sie die Benutzung von Scheuermittel.

BENUTZEN SIE KEINEN ALKOHOL!

Fettfilter

Abb. 15-16

Dieser Filter fängt vom Kochen stammende Fettteilchen ab.

Er muss einmal im Monat gereinigt werden (bzw. wenn das System zur Anzeige der Sättigung der Filter dies erfordert), dies kann mit schonendem Reinigungsmittel von Hand oder in der Spülmaschine, auf niedriger Temperatur erfolgen. Beim Waschen in der Spülmaschine kann sich der metallische Fettfilter verfärben, trotzdem ändern sich seine Eigenschaften bezüglich des Filterns nicht.

Aktivkohle-Filter

(Nur für die Version mit Filter)

Abb. 17 – 17a – 17b – 17c


Hält die unangenehmen Gerüche, die sich beim Kochen entwickeln, fest.

Der Artikel hat vier Filterbatterien, welche die Gerüche über die Aktivkohle, die sie enthalten, festhalten. Die Aktivkohle ist in einen Keramikrahmen integriert, wodurch die Unreinheiten vollständig und leicht an ihnen hängen bleiben können und eine große Aufnahmeoberfläche geschaffen wird.

Die **Aktivkohle-Keramikfilter** sind erst nach relativ langer Zeit gesättigt. Die Sättigung hängt von der Küche und der Regelmäßigkeit, mit welcher der Fettfilter gereinigt wird, ab.

Die Geruchsfilter können alle 2/3 Monate durch Erhitzung regeneriert werden, indem sie für 45 Minuten in den auf 200° C vorgeheizten Backofen gelegt werden. Mit einer regelmäßigen Regenerierung haben die Filter eine maximale Lebensdauer von 5 Jahren.

5.2 Störungssuche

FEHLER CODE	BESCHREIBUNG	MÖGLICHE URSACHEN	FEHLERBEHEBUNG
E2	Die Elektronik schaltet sich wegen erhöhter Temperatur ab	Die innere Temperatur der elektrischen Komponenten ist zu hoch	Vor einem erneuten Gebrauch, warten Sie bis sich die Fläche abkühlt hat
ERR03 + akustisches Signal 	Es wird eine kontinuierliche (Dauer-) Aktivierung der Taste detektiert. Die Schnittstelle stellt sich nach 10 Sekunden ab.	Wasser, Töpfe oder Küchenutensilien auf der Benutzerschnittstelle.	Oberfläche reinigen, eventuell Gegenstände vom Kochfeld räumen.
Bei allen anderen Fehlermeldungen (E ... U ...)	Rufen Sie den Kundenservice an und nennen Sie Ihren Fehlercode		

5.3 Kundendienst

Bevor Sie den Kundendienst kontaktieren:

1. Überprüfen Sie ob Sie das Problem, anhand der Punkte in der „Fehlerbehebung“, nicht selbst lösen können.
 2. Schalten Sie das Gerät aus und dann wieder ein, um sicherzugehen, dass sich die Störung nicht von alleine gelöst hat.
- Falls, nach allen oben genannten Überprüfungen die Störung weiterhin besteht, rufen Sie den nächstgelegenen Kundendienst an.**

Anvisningerne, der er anført i denne manual skal nøje overholdes. Fabrikanten fralægger sig ethvert ansvar for eventuelle fejl, skader eller brand forårsaget af apparatet, der skyldes den manglende overholdelse af instruktionerne i denne manual. Apparatet er udelukkende beregnet til husholdningsbrug, til udsugning af røg, der stammer fra madstegning. Andre brug er ikke tilladt (f.eks. rumopvarmning.) Fabrikanten fralægger sig ethvert ansvar for ikke tilladt brug, eller for forkerte indstillinger af betjeningsanordningerne.

Produktet kan muligvis have et andet udseende i forhold til modellen, der er vist på tegningerne i denne vejledning. Vejledningen til brug, vedligeholdelse og installation er dog uændret.

Det er vigtigt at opbevare denne manual til efterfølgende henvisninger. I tilfælde af videresalg, overdragelse eller flytning, skal man sørge for, at manualen følger produktet.

- ! Læs disse anvisninger nøje: Der er vigtige oplysninger om installation, anvendelse og sikkerhedsforholdsregler.
- ! Foretag ingen ændringer på produktets elektriske installationer
- ! Før apparatet installeres, kontrollér, at ingen komponenter er beskadiget. I modsat fald, ret henvendelse til forhandleren og udlad at fortsætte med installationen.
- ! Kontrollér produktets integritet, før installationen påbegyndes. I modsat fald, ret henvendelse til forhandleren og udlad at fortsætte med installationen.

Bemærk: Dele, der er markeret med symbolet "(*)", er ekstraudstyr, der kun findes på visse modeller eller ikke medfølgende dele, som kan købes separat.

1. Advarsler

Pas på! Overhold nøje de følgende anvisninger:

-Før der foretages et hvilket som helst installationsindgreb, skal apparatets strømforsyning afbrydes.

Installation og vedligeholdelse skal udføres af en kvalificeret tekniker, i henhold til fabrikantens anvisninger og i overensstemmelse med sikkerhedslovene i kraft, i det land hvor maskinen anvendes. Medmindre andet er anført i brugsvejledningen, er det forbudt at reparere eller udskifte dele på

apparatet.

-Det er påkrævet, at apparatet tilsluttes med jordforbindelse.

-Strømforsyningskablet skal være tilstrækkeligt langt, til at apparatet kan tilsluttes el-nettet, når det er installeret i køkkenelementet.

-For at udføre installationen i overensstemmelse med de gældende sikkerhedsforskrifter, skal der anvendes en godkendt flerpolet afbryder, der sikrer fuldstændig frakobling fra strømforsyningen, såfremt der opstår en tilstand af overspænding III og iht. til installationsanvisningerne.

-Der må ikke bruges stikdåser eller forlængerledninger.

-Når installationen er fuldført, må ingen af de elektriske komponenter være tilgængelige for brugeren.

Apparatet og dens tilgængelige dele opvarmes under brug. Pas på, ikke at berøre varmelegemerne.

- Pas på, at børn ikke leger med apparatet; hold børn på afstand og under opsyn, da de tilgængelige dele kan blive meget varme under brug.

- For personer, der bruger en hjerte-pacemaker eller andre aktive remedier, er det vigtigt at sikre sig, at denne stimulator er kompatibel med apparatet, før induktionsvarmepladen bruges.

.-Under og umiddelbart efter brug skal du undgå at røre ved apparatets varmelegemer.

-Undgå kontakt med klude eller andre brændbare materialer, før alle apparatets komponenter er tilstrækkeligt afkølede.

.-Anbring ikke brændbart materiale på apparatet eller i umiddelbar nærhed.

Ophedede fedtmidler eller olier er let antændelige. Overvåg stegningen af retter, der indeholder en stor mængde fedstof eller olie.

-Hvis overfladen er revnet, skal du straks slukke det for at undgå elektrisk stød.

- Apparatet er ikke beregnet til at blive sat i gang ved hjælp af et udvendigt tidsur eller af et adskilt fjernbetjeningsystem.

-Stegning med olie eller fedtstoffer på en kogeplade kan være farlig og forårsage antændelse, hvis den ikke udføres under opsyn.

Stegningen skal overvåges. Selv en hurtig stegning skal konstant overvåges.

Forsøg ALDRIG at slukke flammerne med vand. Sluk derimod for apparatet og kvæl flammerne, f.eks. ved brug af et låg, eller af et brandbekæmpelsestæppe.

Brandfare: Anbring ingen genstande på kogepladens overflader.

-Brug ikke damprensere til rengøring.

-Anbring ikke metalgenstande som fx. knive, gafler, skeer eller låg på kogepladens overflade, da de risikerer at blive meget varme.

- Før apparatet tilsluttes strømforsyningen: Kontrollér dataskiltet (der sidder på apparatets nederste del) for at sikre, at spænding og styrke

stemmer overens med nettets specifikationer, og at forsyningsstikket er passende. I tvivlstilfælde, ret henvendelse til en kvalificeret elektriker.

Vigtigt:

- Efter brug, skal kogepladen slukkes ved brug af den relevante betjeningsanordning, uden blot at stole på indikatoren for gryder.

- Undgå at væsker koger over ved at sænke varmen, når du koger eller opvarmer væsker.

- Varmelegemerne må ikke være tændt, uanset, om der er tomme gryder eller pander på dem, eller hvis der intet er.

- Sluk den pågældende varmezone, når stegningen er afsluttet.

Brug aldrig aluminiumfolie eller produkter emballeret med aluminium direkte til stegning. Aluminiumfolien risikerer at smelte og skade apparatet uopretteligt.

- Opvarm aldrig en dåse eller en blikdåse med madvarer uden at have åbnet den først: Den vil kunne eksplodere!

Denne advarsel gælder for alle de andre typer kogeplader.

Brug af en kraftig styrke, som Booster-funktionen er ikke egnet til opvarmning af visse væsker, som f.eks. olie til friturestegning. En overdreven varme risikerer at være farlig. I dette tilfælde, tilrådes det at anvende en mindre kraftig styrke.

Beholderne skal anbringes direkte på kogepladen, og centreres. Anbring aldrig

andre genstande mellem gryde og kogeplade.

- I tilfælde af meget høje temperaturer sænker apparatet automatisk effektniveauet på de pågældende kogezone.

Før et hvilket som helst rengørings- eller vedligeholdelsesindgreb, skal apparatets strømforsyning afbrydes ved at trække stikket ud, eller ved at frakoble boligens hovedafbryder

Til alle installations- og vedligeholdelsesindgreb anvend arbejdshandsker.

Apparatet må kun anvendes af børn, der er mindre end 8 år, eller af personer med nedsatte fysiske, sensoriske, eller mentale evner, eller som ikke har den nødvendige erfaring og kendskab til det, hvis de er under opsyn, eller såfremt de har modtaget de nødvendige anvisninger til sikker brug af apparatet, og har kendskab til de dermed forbundne risici. . Det er nødvendigt at holde øje med, at børn ikke leger med apparatet.

Rengøring og vedligeholdelse må ikke udføres af børn uden opsyn.

Lokalet skal være udstyret med en passende udluftning, når emhætten anvendes samtidig med andre apparater, der drives af gas eller af andre brændstoffer.

Emhætten skal rengøres med hyppige mellemrum, både indvendigt og udvendigt (MINDST EN GANG OM MÅNEDEN). Overhold under alle omstændigheder de udtrykkelige

anvisninger i vedligeholdelsesvejledningen.

Manglende overholdelse af emhættens rengøringsforskrifter og af filtrenes udskiftning og rengøring medfører brandfare.

Det er strengt forbudt, at flambere retter.

Brug af åben ild er skadelig for filtrene og kan medføre brand, og skal af denne grund under alle omstændigheder undgås.

Friturestegning skal udelukkende udføres under opsyn, for at undgå, at den overophedede olie antændes.

PAS PÅ! Når kogepladen er i brug, kan emhættens tilgængelige dele blive meget varme.

Pas på! Apparatet må ikke tilsluttes strømforsyningen, før installationen er helt fuldført.

Angående de anviste tekniske og sikkerhedsmæssige forholdsregler til udledning af røg, overhold nøje de lokale myndigheders forskrifter.

Den udsugede luft må ikke udsendes til en kanal, der anvendes til udledning af røg fra forbrændingsapparater, der drives af gas eller af andre brændstoffer.

Emhætten må ikke bruges eller efterlades hvis pærerne ikke er korrekt monteret, for at forebygge risiko for elektrisk stød.

Brug aldrig emhætten uden en korrekt monteret rist!


Brug kun de medfølgende fastspændingsskruer til produktet til installationen, eller – såfremt de ikke medfølger – indkøb den korrekte skruetype. Brug skruer af korrekt længde,

som anført i vedligeholdelsesvejledningen.

Når emhætten og apparaterne, der er forsynet med en kraft, der er forskellig fra strøm, anvendes samtidig, skal rummets negative tryk ikke overskride de 4 Pa (4 x 10-5 bar).

Dette apparat er mærket i overensstemmelse med Europaparlamentets og Rådets Direktiv 2012/19/EU, Waste Electrical and Electronic Equipment (WEEE) (Affald af elektrisk og elektronisk udstyr). Brugeren, der sørger for at bortskaffe dette produkt på korrekt måde, medvirker til at forebygge de potentielt negative indflydelser for miljø og sundhed.



Symbolet med skraldespanden , der er anført på produktet eller i den medfølgende dokumentation, angiver, at dette produkt ikke må bortskaffes sammen med usorteret husholdningsaffald, men derimod indsamles særskilt for derefter at bringe det til de dertil beregnede indsamlingspunkter til genbrug af elektriske og elektroniske udstyr. Produktet skal derfor bortskaffes i henhold til de lokale normer til indsamling af specielt affald. For yderligere oplysninger angående behandling, genvinding og genbrug af dette produkt, ret henvendelse til kommunens tekniske forvaltning, til genbrugsstationerne eller til butikken, der har solgt produktet.

Apparatet er designet, testet og produceret i overensstemmelse med de følgende normer:

- Sikkerhed: DS/EN/IEC 60335-1; DS/EN/IEC 60335-2-6, DS/EN/IEC 60335-2-31, DS/EN/IEC 62233.
- Ydelse: DS/EN/IEC 61591; ISO 5167-1; ISO 5167-3; ISO 5168; DS/EN/IEC 60704-1; DS/EN/IEC 60704-2-13; DS/EN/IEC 60704-3; ISO 3741; DS/EN 50564; IEC 62301.
- EMC: DS/EN 55014-1; CISPR 14-1; DS/EN 55014-2; CISPR 14-2; DS/EN/IEC 61000-3-3; DS/EN/IEC 61000-3-12. Forslag til en korrekt brug for at reducere miljøbelastningen: Når stegningen starter, tænd for emhætten på minimumhastighed, og lad den være tændt i nogle minutter også efter at stegningen er færdig. Øg hastigheden udelukkende hvis der er store røg- og dampmængder, og anvend booster-funktionen kun i de tilfælde hvor det er strengt nødvendigt. Udskift kulfilteret/kulfiltrene, når det er nødvendigt, for at sikre, at systemet til nedsættelse af lugt altid er effektivt. For at sikre fedtfilterets effektivitet, rengør det, hver gang det er nødvendigt. Anvend den største tilladelige kanalsystemdiameter, der er anført i manualen, for at optimere effektiviteten og minimere støjen.

2. Brug

Brug af kogeplade


Stegning på induktionsplader baserer sig på det fysiske fænomen kaldt magnetisk induktion. Den grundlæggende systemegenskab består i, at energien overføres direkte fra varmegeneratoren til gryden.

Fordele:

Ved sammenligning med elektriske kogeplader, er en induktionsplade:

- **Mere sikker:** Lavere temperaturer på glasoverfladen.
- **Hurtigere:** Fødevarerne opvarmes på mindre tid.
- **Mere præcis:** Pladen reagerer øjeblikkeligt på din styring
- **Mere effektiv:** 90% af den opsugede energi forvandles til varme. Desuden, efter at have fjernet gryden fra pladen, afbrydes varmeoverførslen omgående, og det medvirker til at undgå unyttige varmeafledninger

2.1 Kogegrej til tilberedningen

Brug kun gryder, der er mærket med symbolet for 

Vigtigt:

For at undgå uoprettelige skader på pladens overflade, brug aldrig:

- beholdere, hvor bunden ikke er helt flad.
- metalbeholdere med emaljeret bund.
- beholdere med grov bund, for at undgå at ridse pladens overflade.
- Anbring desuden aldrig varme gryder eller pander på pladens kontrolpanel.

2.1.1 Kogegrej, du allerede har

Stegning ved induktion anvender det magnetiske princip for at generere varme. Beholdere skal derfor indeholde jern. Det er muligt at kontrollere, om grydematerialet er magnetisk ved hjælp af en enkel magnet. Hvis magneten ikke tiltrækkes, er grydene ikke egnede til stegning ved induktion.

2.1.2 Anbefalet diameter på kogegrejets bund

VIGTIGT: Hvis gryderne ikke er af korrekt størrelse, tændes kogezoneerne ikke.

Du kan finde grydens påkrævede minimumdiameter for hver enkel kogezone i afsnittet med tegninger i denne brugsanvisning.

2.2 Energibesparelse

For at opnå de bedste resultater tilrådes det at:

- Anvende pander og gryder med en bunddiameter, der svarer til kogezonens størrelse.
- Udelukkende anvende pander og gryder med flad bund.
- Lægge låg på gryden under stegningen, hvis det er muligt.
- Koge grøntsager, kartofler osv. med en lille mængde vand for at reducere kogetiden.
- Brug trykkoger, der reducerer både energiforbruget og tilberedningstiden yderligere.
- Anbring gryden midt på den pågældende kogezone på pladen.

Brug af sugeapparat Udsugningssystemet kan enten bruges som udsugningsudgave, med udvendig udledning, eller med filtreringsfunktion med indvendig recirkulation.



Udsugningsudgave

Fig.7

Dampene udledes udvendigt ved brug af en serie rørforbindelser (ikke medfølgende, købes separat), der fastgøres på den medfølgende koblingsflange.

Udtømningsrørets diameter skal svare til forbindelsesringens diameter:

- Med rektangulær udgang 222 x 89 mm
- med rund udgang Ø 150 mm (*)

Der er yderligere oplysninger at finde på siden der omhandler udsugningsudgavens tilbehør, i den illustrerede del indeholdt i manualen.

Fig.7c

Produktet forbindes til rør og udtømningshuller på væggen med en diameter, der svarer til luftudgangen (koblingsflange). Brug af rør og udtømningshuller på væggen med en mindre diameter, medfører en nedsættelse af udsugningsydelse og en drastisk støjforhøjelse.

Af denne grund påtages der intet ansvar i denne forbindelse.

- ! Anvend en kanal, der er så kort, som muligt.
- ! Anvend en kanal med det mindst tilladelige antal bøjninger (bøjningens maksimale vinkel: 90°).
- ! Undgå vigtige ændringer på kanalens snit



Filtrerende udgave

Fig. 8

Den udsugede luft filtreres ved hjælp af de pågældende fedt- og lugtfiltere, før den sendes tilbage i rummet.

Produktet leveres med alle delene, der er nødvendige til en standardinstallation, med luftudgangen på frontdelen af køkkenelementets sokkel.

Indpakningen indeholder allerede fire sæt keramiske filtre med aktivt kul, der sikrer optimale ydelser. De keramiske filtre er innoverende, modulære kulfiltere, der er genvindelige (der henvises til denne manual i afsnittet Vedligeholdelse – Filtre med aktivt kul).

De kemisk-fysiske egenskaber gør det muligt at opnå en høj lugtopsuigningseffektivitet og en høj mekanisk modstandsevne-

Der er yderligere oplysninger at finde på siden der omhandler filtreringsudgavens tilbehør, i den illustrerede del indeholdt i manualen.

Fig. 13b

3. Installering

Både den elektriske og den mekaniske del af installationen skal udføres af autoriserede teknikere.

Apparatet er designet til at blive indbygget i en 2-6 cm tyk bordplade i tilfælde af TOP-installation; og en 2,5-6 cm i tilfælde af FLUSH-installation.

Afstanden mellem kogepladen og væggen skal mindst være på 5 cm på forsiden, og mindst 4 cm på siden og på mindst 50 cm i forhold til de øverste overskabe .

OBS. = De anbefalede afstande er vejledende: Når arealerne indrettes, henvises der til køkkenfabrikantens anvisninger.



3.1 Elektrisk tilslutning

Fig. 3

- Apparatet skal frakobles strømforsyningen
- Installationen skal udføres af en autoriseret tekniker med kendskab til de gældende forskrifter for installation og sikkerhed.
- Fabrikanten frasiger sig ethvert ansvar for skader på personer, dyr eller ting forårsaget af manglende overholdelse af anvisningerne i dette afsnit.
- Strømforsyningskablet skal være tilstrækkeligt langt til, at kogepladen kan fjernes fra arbejdsfladen.
- Kontrollér, at den angivne spænding på dataskiltet nederst på apparatet svarer til spændingen i boligen, hvor den skal installeres.
- Anvend ikke forlængerledninger.
- Jordforbindelse er lovkrav.
- Jordforbindelseskablet skal være 2 cm længere i forhold til de andre kabler.
- Såfremt der ikke medfølger et strømforsyningskabel med apparatet, skal der anvendes et kabel med et ledertværsnit på min. 2,5 mm² for effektivelse på op til 7200 Watt, mens det for højere effektiviteter skal være på 4 mm².
- Kablet må på intet punkt have en temperatur på 50°C over stuetemperaturen.

- Apparatet er beregnet til permanent tilslutning til el-nettet, og tilslutningen til el-nettet skal derfor gennemføres med en flerpolet afbryder iht. forskrifterne, der sikrer en fuldstændig frakobling fra strømforsyningen i en tilstand, der hører under kategorien overspænding III. Afbryderen skal være nemt tilgængelig, når installationen er fuldført.

Bemærk: Hvidevarens tilslutning med valgfri monofase kræver at man fjerner det tilstedeværende kabel og udskifter det med en anden kabeltype (medfølger ikke) med de følgende specifikationer:

monofaseforbindelse: kabel H05V2V2-F 3G4

Fig. 3a

Pas på! Før strømforsyningen tilsluttes igen for at tjekke, at apparatet fungerer på korrekt måde, skal det altid kontrolleres, at strømforsyningskablet er korrekt monteret.

Pas på! Udskiftning af kredsløbsforbindelseskablet må kun udføres af den autoriserede servicetekniker eller af en person med lignende kvalifikationer.

Bemærk: Produktet er forsynet med en Power Limitor funktion, der gør det muligt, at indstille en maksimal kw opslugningssøjle

Justeringen skal gennemføres når produktet forbindes til el-nettet, eller ved genforbindelse af selve el-nettet (inden for de næste 2 minutter). Til **Power Limitation justeringen, henvises der til denne manual, under afsnittet "Drift"**.

3.2 Montering

Før installationen igangsættes:

- Når produktet er pakket ud, skal det kontrolleres, at der ikke er opstået skader under transporten. Hvis dette er tilfældet, skal du kontakte forhandleren eller vores Kundeservice, før installationen startes.
- Kontrollér, om det købte produkt har en passende størrelse til det valgte installationssted.
- Åbn Kontrollér emballagen for at sikre, at der (pga. transporten) ikke befinder sig tilbehørsmaterialer (som fx poser med skruer, garantibevis osv.). Tag det i så fald ud og opbevar det.
- Åbn Kontrollér, om der findes en egnet stikkontakt i nærheden af installationsstedet.

Forberedelse af køkkenelementet til indbygning:

- Produktet må ikke installeres på kølekilder, opvaskemaskiner, komfurer, ovne, vaskemaskiner eller tørretumblere.
- Udfør først de nødvendige udskæringer i køkkenelementet, før kogepladen anbringes, og sørg omhyggeligt for at fjerne spåner og savsmuld.

VIGTIGT: Anvend et monokomponent forseglingsmiddel (**S**), der er i stand til at modstå temperaturer op til 250° ; før installationen skal overfladerne, der skal klistres, rengøres grundigt, og alle stofferne, der risikerer at forringe klæbeevnen (f.eks.: Slipmidler, konserveringsmidler, fedtmidler, olier, pulvere, rester af gamle klæbemidler e.l.) fjernes; Klæbemidlet skal fordeles jævnt på hele rammens perimetre; Efter pålimning, lad klæbemidlet tørre i 24 timer ca.

Fig. 1b

Pas på! Hvis skruerne og fastspændingsanordningerne ikke monteres i henhold til disse anvisninger, kan der være risiko for elektriske farer.

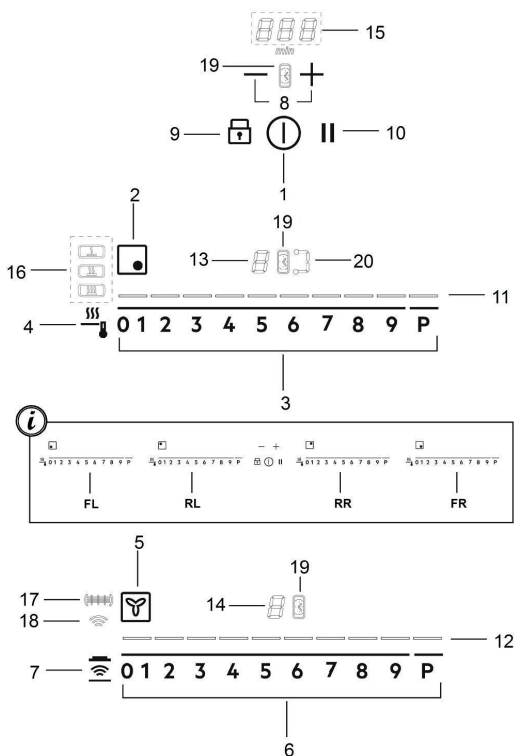
Bemærk: Til en korrekt installation af produktet, tilrådes det, at tape rørføringerne med et klæbemiddel med de følgende specifikationer::

- Elastisk film i blød PVC, med klæbemiddel baseret på akryl
- Det skal stemme overens med direktivet DIN DS/EN 60454
- Flammehæmmende
- Udmærket modstandsevne over for aldring
- Modstandsevne over for temperatursvingninger
- Anvendeligt ved lave temperaturer.

4. Funktion

Kontrolpanel

Bemærk: For at vælge styringerne skal du blot berøre (trykke på) de symboler, der viser de enkelte styringer.



Taster

Display / LYSDIODE

1. **ON/OFF** til kogeplade/sugeapparat til kogeplade
2. Kogezonepositionsindikator
3. Valg af kogezoner
Forøgelse/Reduktion af Power Level
4. Aktivering af Temperatur Manager
5. Sugeapparatets indikator
6. Sugeapparatmarkering
Forøgelse/Reduktion af sugehastighed (styrke)
7. Aktivering af automatiske funktioner
Nulstilling af filtermætning
8. Timer aktivering
Forøgelse/Reduktion af tid Timer
9. Key Lock (Tastblokering)
- 9+10. Child Lock (børnesikring)
10. Pause / Recall

11. Power Level visning
12. Visning af udsugningshastigheden (styrke)
13. Kogezonens display
14. Sugeapparatets display
15. Timerens display
16. Visualisering Temperatur Manager
17. Indikator til filterassistance
18. Indikator til automatisk udsugningsfunktion
19. Indikatoren Aktiv Timer
20. Indikatoren Aktiv Bridge

BRUG AF KOGEPLADE

Det skal du vide, før du starter:

Alle kogepladens funktioner er udtænkt med henblik på at overholde de strengeste sikkerhedsforskrifter.

Derfor:

• **Visse funktioner aktiveres ikke, eller også deaktiveres de automatisk, såfremt der ikke er nogen gryde på kogezone, eller hvis den er placeret forkert.**

• I andre tilfælde kan aktiverede funktioner blive deaktiveret automatisk efter nogle få sekunder, hvis den valgte funktion kræver en yderligere indstilling, som ikke er foretaget (fx: "Tænd for kogepladen" uden "Vælg kogezone" og "Driftstemperatur", eller "Lock-funktionen" eller "Timer-funktionen").



Giv agt! Hvis fx tilberedningen har stået på i længere tid, sker slukningen af kogezone måske ikke øjeblikkeligt, da den er under nedkøling; på kogezonens display vises symbolet "H", for at angive denne nedkølingsfase. Vent på, at displayet slukkes, før du nærmer dig kogezone.

Kogezonens display

i displayet for den pågældende kogezone angives:

Kogezone tændt	
Power Level (Styrkeniveau)	
Residual Heat Indicator (Indikator for tilbageværende varme)	
Pot Detector (Gryde detektor)	
Temperature Manager funktion aktiv	
"Child Lock" funktion (Bømelås) aktiv	
Pausefunktion	
Funktionen Automatic Heat UP	

Kogepladens specifikationer

● **Safe Activation**

Produktet aktiveres kun hvis der er kogevej på kogezone: Opvarmingsprocessen går ikke i gang eller afbrydes, hvis kogevej mangler eller flyttes.

● **Pot Detector (Gryde detektor)**

Produktet detekterer automatisk tilstedeværelse af gryder på kogezone.

● **Safety Shut Down (Sikkerhedsslukning)**

Af sikkerhedsgrunde har hver kogezone en maksimal driftstid, der er afhængig af det indstillede styrkeniveau.

● **Residual Heat Indicator (Indikator for tilbageværende varme)**

Hvis en eller flere kogezone slukkes, signaleres den tilbageværende varme med et særligt visuelt signal på den tilsvarende zones display med symbolet "H".

Funktion

Bemærk: For at aktivere en hvilken som helst funktion, er det først nødvendigt at aktivere den ønskede zone.

● **Tænding**

Tryk på (berør) ON/OFF kogeplade/ sugeapparat
Advarselsslampen tænder, for at indikere, at kogepladen/sugeapparatet er parat til brug.
Tryk igen for at slukke

Bemærk: Denne funktion har forrang for alle andre.

● **Valg af kogezone**

Berør (tryk på) **Markeringslinjen (3)** til den ønskede kogezone.

● **9 Power Level (Styrkeniveau)**

Pladen er udstyret med 9 styrkeniveauer
Berør og lad fingeren glide på langs hen over **Markeringslinjen (3)**:
mod højre, for at forøge effektiveauet;
mod venstre, for at reducere effektiveauet;

● **Power Booster**

Produktet er udstyret med et ekstra effektiveau (over niveauet) , som forbliver aktivt i 10 minutter, hvorefter effekten vender tilbage til det tidligere niveau.

Berør og lad fingeren glide langs **Markeringslinjen (3)** (over niveauet) og aktivér niveauet Power Booster
Power Booster niveauet er angivet på den valgte zones display med symbolet "P".

● Bridge Zones

Kogezonerne er, takket være Bridge-funktionen, i stand til at arbejde i kombination, så der dannes en samlet zone med samme styrkeniveau. Denne funktion muliggør en jævn stegning, selv med pander og gryder af store mål. Det er muligt at anvende den frontale kogezone "Master" sammen med den bagved - den "Sekundære" (for at kontrollere på hvilke zoner denne funktion er tilgængelig, slå op i den illustrerede del i denne manual).

Aktivering af Bridge-funktionen:

Vælg de to ønskede kogezone samtidigt

- indikatoren Bridge (20) til den "Sekundære" kogezone

tænder "  "

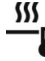
- ved hjælp af Markeringslinjen (3) til kogezone "Master vil det være muligt at indstille Tilberedningsniveauet (Effekt)

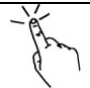

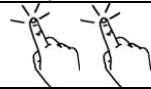

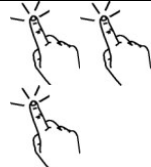

- det er nok, at gentage aktiveringsproceduren, for at slå Funktionen Bridge fra

● Temperature Manager


Temperature Manager er en funktion, som giver mulighed for at indstille den forindstillede temperatur, så den passer bedre til det ønskede resultat (jfr. tabellen Temperature Manager i slutningen af dette kapitel).

Vælg den ønskede kogezone.

• Tryk en eller flere gange på  (4), for at vælge det bedst egnede niveau blandt de disponible:

	Melting* (Smelting)	
	Warming* (Opvarmning)	
	Simmer* (Simren)	
* Jfr. tabellen Temperature Manager i slutningen af dette kapitel.		


• Tryk igen herpå, for at slukke.

På displayet til den kogezone, som virker i Temperature Manager, vises symbolet .

● Key Lock (Tastblokering)

Tastblokeringen giver mulighed for at blokere pladens indstillinger, for at forebygge utilsigtet manipulation og lade de allerede indstillede funktioner være aktive.

Aktivering:



- tryk på  (9)
- lysdioden over tasten tænder, hvilket angiver at den er aktiveret

Gentag handlingen for at inaktivere.

● Child Lock (Børnesikring)

Child Lock systemet undgår, at børn risikerer tilfældigvis at tænde for kogezone og for udsugningszonen, ved at umuliggøre aktivering af en hvilken som helst funktion. Child Lock systemet kan udelukkende aktiveres med tændt produkt, men med kogezone (og udsugningszonen) der er slukket.

Aktivering:


- Fjern eventuelle gryder fra kogepladen
- tryk og hold samtidig trykket ned tasterne  (9) og  (10), et akustisk signal lyder, der angiver, at funktionen er aktiv, og et "L" vises på displayene (13) og (14).

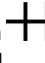
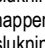
Gentag handlingen for at inaktivere.

● Timer

Timerfunktionen er en nedtællingsfunktion, der kan indstilles, også samtidig, på hver kogezone (og på udsugningszonen). Når den indstillede tid er gået, slukkes kogezone (eller udsugningszonen) automatisk, og et akustisk signal advarer brugeren.

Aktivering/Justering af funktionen Timer for kogepladen

- Vælg kogezone (effekt 0)
- Tryk på  (8), for at tage adgang til funktionen Timer
- Justér Timerens varighed:


Tryk på valgknappen , for at forlænge tiden til den automatiske slukning
tryk på valgknappen , for at afkorte tiden til den automatiske slukning

Om ønsket kan denne fremgangsmåde gentages for de andre kogezone.

Bemærk: Hver kogezone kan have indstillet en forskellig Timer; på displayet (15) visualiseres nedtællingen for den valgte kogezone i 10 sekunder, hvorefter nedtællingen med den korteste tid visualiseres.

Når timeren har fuldført nedtællingen, lyder der et lydssignal (i 2 minutter, eller stopper hvis man trykker på en af kogepladens taster), mens displayet (15) blinker, med symbolet "0.00".

Bemærk: Ved siden af kogezoneens display, mens Timeren er

i brug, vises symbolet  (19)

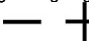
Sådan slukkes timeren:

- vælg kogezone
- indstil værdien for timeren på "0", vha. _____

Bemærk: Funktionen er fortsat aktiv, hvis ikke du i mellemtiden trykker på andre taster.

● **Egg Timer (minutur)**

Egg Timeren er en uafhængig nedtælling i forhold til kogezoneerne (og udsugningszonen). Egg Timeren aktiveres

ved at trykke på  (8).

Bemærk: Funktionen **Egg Timer** reguleres ved at følge den samme fremgangsmåde som for funktionen **Timer**:

Når timeren har fuldført nedtællingen, lyder der et lydssignal (i 2 minutter, eller stopper hvis man trykker på en af kogepladens taster), mens displayet (15) blinker, med symbolet "0.00".

● **Pause**


Funktionen Pause stiller enhver aktiv funktion på kogepladen i bero, og nulstiller tilberedningseffekten.

Aktivering:

- tryk på  (10)
- der visualiseres et "||" på display (13).

Inaktivering af funktionen:

Bemærk: dette indgreb genopretter pladens tilstand før pausen

- tryk på  (10)
- træk, inden for 10 sekunder, fingeren mod højre, hen over

Markeringslinjen (3), til kogezone 2

(FIG.19);

Bemærk: Hvis handlingen ikke udføres inden for dette tidsrum



forbliver pausefunktionen aktiv.

Bemærk: Hvis **Pausefunktionen** ikke inaktiveres efter 10 minutter slukker kogepladen automatisk.

● **Recall**

Funktionen Recall giver mulighed for at genskabe alle de kogepladens indstillinger, hvis den slukkes ved et uheld.

Aktivering:

- **tænd for pladen** 
inden 6 sekunder efter slukning
- **tryk på** 
inden de næste 6 sekunder

● **Automatic Heat UP**

Funktionen Automatic Heat UP giver mulighed for hurtigere at oparbejde den ønskede effekt; med denne funktion har man den fordel, at tilberedningen er hurtiger, men uden risiko for at brænde maden, fordi temperaturen ikke overskrider det indstillede niveau.

Denne funktion er disponibel for effektiveauerne 1 - 8.


Aktivering:

- Tryk langvarigt på den ønskede effekt på **Markeringslinjen (3)**
- der visualiseres et "A" på display (13).

● **Power Limitation**

Power Limitation funktionen gør det muligt at indstille produktets funktion ved at begrænse den maksimale opslugning.

Bemærk: Justeringen skal gennemføres med slukket plade,

uden at trykke på tasten , når kogepladen forbindes til el-nettet, eller ved genforbindelse af selve el-nettet, inden for de næste 2 minutter.

For at indstille Power Limitation funktionen:

- tryk og hold tasten længe  , indtil der høres et kortvarigt lydssignal

- bladr samtidig på slidere **FL** og **RL**

0 1 2 3 4 5 6 7 8 9 P fra venstre mod højre,

Og hold trykket længe udfor bogstaverne **P**, indtil der høres et kortvarigt lydssignal

displayets Timer (15) viser symbolerne “CF6”, hvilket indikerer, at det er muligt at udføre indstillingen

Displayet i zonen FL viser den aktuelle indstilling**

0 = 7,4 KW

1 = 4,5 KW

** standardindstillingen er justeret på 7,4 KW

- for at ændre Power Limitation indstillingen skal man bladre på slider FL 0 1 2 3 4 5 6 7 8 9 P

- fra venstre mod højre, for at øge Kw

- fra højre mod venstre, for at sænke Kw

- for at gemme valget skal man trykke på knapperne



||, i 1 sekund;

Der udsendes et langt lydsignal, hvilket bekræfter at indstillingen er gennemført, og funktionen lukkes.

BRUG AF SUGEAPPARATET

● Tænding

Tryk på (berør)  ON/OFF kogeplade/ sugeapparat
Advarselsslampen tænder, for at indikere, at kogepladen/sugeapparatet er parat til brug.
Tryk igen for at slukke

Bemærk: Denne funktion har forrang for alle andre.

● Tænding af sugeapparat:

Berør (tryk på) **Markeringslinjen (6)**, for at aktivere sugeapparatet

● Udsugningshastighed (styrke)

Berør og lad fingeren glide på langs hen over **Markeringslinjen (6)**:


Mod højre, for at øge sugehastigheden (effekt) (0-10);

Mod venstre, for at reducere sugehastigheden (effekt) (10-0);



● Timer

Aktivering/Justering af funktionen Timer for sugeapparatet

• Markér sugeapparatet (hastighed $\neq 0$).

• Tryk på  (8), for at tage adgang til funktionen Timer (uafhængigt af niveau)

• Justér Timerens varighed:

Tryk på valgknappen , for at forlænge tiden til den automatiske slukning
tryk på valgknappen , for at afkorte tiden til den automatiske slukning

på displayet (15) visualiseres nedtællingen,


Bemærk: Ved siden af sugeapparatets display, mens



Timeren er i brug, vises symbolet (19)

Når timeren har fuldført nedtællingen, lyder der et lydsignal (i 2 minutter, eller stopper hvis man trykker på en af kogepladens taster), mens displayet (15) blinker, med symbolet "0.00".

Sådan slukkes timeren:


- vælg kogezone
- indstil værdien for timeren på "0", vha. 

Bemærk: Funktionen er fortsat aktiv, hvis ikke du i mellemtiden trykker på andre taster.


● Indikator til filtermætning

Emhætten signalerer når det er nødvendigt at udføre filtrernes vedligeholdelse:

Fedtfilter


Lysdioden  (17) tænder


Filter med aktivt kul der modvirker os

lysdioden  (17) blinker

● Nulstilling af filtermætning

Efter at have udført vedligeholdelsen af filtrene (fedt og/eller

aktivt kul) trykkes længe på knappen  (7);

lysdioden  slukker og genstarter indikatorens tælling.


● Aktivering af indikator til mætning af filteret med aktivt kul der modvirker os

Denne indikator er sædvanligvis deaktiveret.

For at aktivere den, følg de nedenstående anvisninger:


- tænd bordemhætten med ;
- med slukket emhætte og kogeplader tryk og hold trykket



-  den tændes og slukkes igen, hvilket indikerer at aktiveringen er gennemført.

● Deaktivering af indikator til mætning af filteret med aktivt kul der modvirker os

Gentag den ovenfor beskrevne operation for at aktivere

 den blinker og slukkes igen, hvilket indikerer at deaktiveringen er gennemført.



● Automatisk funktion (Kogeplade2Emhætte)

Emhætten tænder med den bedst egnede hastighed, og tilpasser sugekapaiciteten efter kogezonernes effekt.

Når kogepladen slukkes, justerer emhætten udsugningshastigheden, og reducerer den gradvist, for at fjerne rester af dampe og lugte.

For at aktivere denne funktion:



Tryk kortvarigt på  (7), lysdioden  (18) tænder, for at vise, at emhætten virker i denne tilstand.




Bordemhætten kan bruges i kombination med et Window sensorsæt (ikke leveret af fabrikanten)

Ved installering af Window sensorsættet stopper udsugning af luft (kun hvis den fungerer i den SUGENDE tilstand) hver gang anordningen registrerer lukning af vinduet, hvorpå sættet er monteret, i lokalet med bordemhætten.

Det anbefales at sættet KIT FDS — 100 Elektrotechnik Schabus, købes hos de autoriserede forhandlere Elektrotechnik Schabus eller direkte fra internetsiden

www.elektrotechnik-schabus.de.

- Sættets elektriske forbindelse til bordemhætten skal udføres af en kvalificeret autoriseret elinstallatør.
- Bordemhættens fabrikant fralægger sig ethvert ansvar for eventuelle fejl, skader eller brande forårsaget af defekter og/eller fejlfunktioner og/eller forkert installering af sættet.

Effektniveau (forudindstillet)		Beskrivelse
	Melting	Indstiller et effektniveau, der passer til langsom smeltning af delikate produkter uden at påvirke smagen (chokolade, smør osv.).
	Warming	Indstiller et effektniveau, der passer til forsigtigt at opretholde retternes temperatur, uden at de kommer i kog.
	Simmer	Indstiller et effektniveau, der passer til at småkoge retter i længere tid. Velegnet til at tilberede tomatsoUCE, ragout, supper, minestrone, opretholde et kontrolleret kog niveau (ideel til tilberedning i vandbad). Man undgår ubehagelig overkogning af maden og at maden brænder på, som ellers ofte kan ske med denne slags tilberedning. Brug denne funktion, når retten allerede har været på kogepunktet.

4.1 Effekttabel

Effektniveau	Tilberedningstype	Anvendelse af niveauet (Angivelsen supplerer dine egne erfaringer og tilberedningsvaner)	
Maks. effekt	Boost	Hurtig opvarmning	Ideel til at bringe fødevarens temperatur hurtigt op, til kogepunktet hvis det er vand, eller hurtig opvarmning af fedtstoffer til tilberedningen
	8-9	Stege - Koge	Ideel til at brune kød, igangsætte en tilberedning, friturestege frysevarer, hurtig opvarmning
Høj effekt	7-8	Brune – stege – koge - grille	Ideel til at stege, vedligeholde kogning, tilberede og grille (i kort tid, 5-10 minutter).
	6-7	Brune – tilberede – stuvning – stege - grille	Ideale per soffriggere, mantere bolliture leggere, cuocere e grigliare (per media durata, 10-20 minuti), preriscaldare accessori
Mellemhøj effekt	4-5	Tilberede – stuvning – stege - grille	Ideel til stuvning, vedligeholde kogning på lavt niveau, tilberede (i længere tid). Indkogning af pasta, risotto, sauce o.l.
	3-4	Tilberede – svag kogning - indkogning	Ideel til tilberedning af længere varighed (ris, saucer, grydestege, fisk), når tilberedningen foregår i væske (fx vand, vin, suppe, mælk), indkogning af pasta
	2-3	Tilberede – svag kogning - indkogning	Ideel til længerevarende tilberedning (mængde mindre end en liter: ris, saucer, grydestege, fisk), når tilberedningen foregår i væske (fx vand, vin, suppe, mælk)
Lav effekt	1-2	Smelte – optø – holde varme - indkogning	Ideel til at smelte smør, forsigtig smeltning af chokolade, optøning af små fødevarer
	1	Smelte – optø – holde varme - indkogning	Ideel til at holde madvarer varme i små portioner lige efter tilberedningen eller holde serveringsklare retter varme samt til indkogning af risotto
OFF	Effekt nul	Afsætningsflade	Kogepladen er i stand-by eller slukket (mulighed for restvarme efter tilberedning, som signaleres med H-L-O)

4.2 Tilberedningstabel

Fødevarer	Retter eller tilberedningstype	Effektniveau og tilberednings faser			
		Første fase	Effekt	Anden fase	Effekt
Pasta, ris	Frisk pasta	Opvarmning af vandet	Booster-9	Kogning af pasta og opretholdelse af kogepunktet	7-8
	Frisk pasta	Opvarmning af vandet	Booster-9	Kogning af pasta og opretholdelse af kogepunktet	7-8
	Kogt ris	Opvarmning af vandet	Booster-9	Kogning af pasta og opretholdelse af kogepunktet	5-6
	Risotto	Sautering og opvarmning af ris	7-8	Tilberedning	4-5
Grøntsager	Kogte	Opvarmning af vandet	Booster-9	Kogning	6-7
	Stegte	Opvarmning af olien	9	Stegning	8-9
	Friturestegte	Opvarmning af tilbehøret	7-8	Tilberedning	6-7
	Stuede	Opvarmning af tilbehøret	7-8	Tilberedning	3-4
	Dybtstegte	Opvarmning af tilbehøret	7-8	Tilberedning til gyldne	7-8
	Kødvarer	Steg	Bruning af kødet i olie (hvis med smør, niveau 6)	7-8	Tilberedning
Grillet		Foropvarmning af panden	7-8	Grillning på begge sider	7-8
Grydesteg		Bruning i olie (hvis med smør, niveau 6)	7-8	Tilberedning	4-5
Stuvning		Bruning i olie (hvis med smør, niveau 6)	7-8	Tilberedning	3-4
Fisk	Grillet	Foropvarmning af panden	7-8	Tilberedning	7-8
	Stuvning	Bruning i olie (hvis med smør, niveau 6)	7-8	Tilberedning	3-4
	Stegt i olie	Opvarmning af olie eller fedtstof	8-9	Stegning	7-8
Æg	Spejlede	Opvarmning af panden med smør eller fedtstof	6	Tilberedning	6-7
	Omelet	Opvarmning af panden med smør eller fedtstof	6	Tilberedning	5-6
	Blødkogt/hårdkogt	Opvarmning af vandet	Booster-9	Tilberedning	5-6
	Pandekage	Opvarmning af panden med smør	6	Tilberedning	6-7
Saucer	Tomat	Bruning med olie (hvis med smør, niveau 6)	6-7	Tilberedning	3-4
	Ragout	Bruning med olie (hvis med smør, niveau 6)	6-7	Tilberedning	3-4
	Besciamel	Tilberedning af grundingsredier (smeltning af smør og mel)	5-6	Bringes til let opkogning	3-4
Desserter, cremer	Kagecreme	Bringer mælken i kog	4-5	Vedholder let kogning	4-5
	Budding	Bringer mælken i kog	4-5	Vedholder let kogning	2-3
	Ris i mælk	Opvarmer mælk	5-6	Vedholder let kogning	2-3

5. Vedligeholdelse

Vedligeholdelse af kogeplad

Pas på! Før der udføres nogen form for rengøring eller vedligeholdelse, skal det tilsikres, at kogezoneerne er slukkede, og at varmeadvarselsslampen ikke længere er synlig.

5.1 Rengøring

Kogepladen skal rengøres efter hver anvendelse.

Vigtigt:

Undgå brug af ætsende svampe og af skuresvampe. Deres brug risikerer med tiden at beskadige glasset.

Brug ikke irriterende kemiske rengøringsmidler, som fx spray til ovnrens eller pletfjernere.

Efter hver brug skal kogepladen køle af, og herefter rengøres for at fjerne fastbrændte rester eller pletter fra madrester.

Sukker og fødevarer med højt sukkerindhold skader kogepladen og skal straks fjernes.

Salt, sukker og sand vil kunne ridse glasoverfladen.

Brug en blød klud, køkkenrulle eller specifikke produkter til rengøring af induktionsplader (følg fabrikantens anvisninger).

DU MÅ ALDRIG BRUGE DAMPRENERE!!!

Vigtigt:

Ved tilfældige og store udslip af væsker fra gryderne, er det muligt at gribe ind ved brug af udtømningsventilen, der sidder på produktets nedre del, for at fjerne alle rester og udføre en rengøring med den maksimale hygiejniske sikkerhed.

Fig.18

Til en dybere og mere grundig rengøring, er det muligt fuldstændigt at fjerne det nedre kar.

Fig.18a - 18b

Vedligeholdelse af sugeapparat

Rengøring

Til rengøringen anvend **UDELUKKENDE** en fugtig klud med flydende neutrale rengøringsmidler. **UNDGÅ BRUG AF REDSKABER ELLER INSTRUMENTER TIL RENGØRINGEN!**

Undgå brug af produkter, der indeholder slibemidler.

UNDGÅ BRUG AF SPRIT!

Fedtfiler

Fig. 15-16

Tilbageholder fedtpartiklerne, der stammer fra stegningen.

Filteret skal rengøres en gang om måneden (eller når signaleringssystemet for filtermætning angiver behovet), ved brug af milde vaskemidler, manuelt eller i opvaskemaskine ved lav temperatur og med kort opvaskecyklus.

Ved vask i opvaskemaskine, risikerer fedtfilteret at blive misfarvet, men dette vil ikke have negativ indflydelse på dets filtrerende egenskaber.

Filtre med aktivt kul

(Udelukkende til filtrerende udgave)


Fig. 17 – 17a – 17b – 17c

Opfanger lugt fra madlavning

Produktet er forsynet med fire filterbatterier, der tilbageholder lugten takket være det aktive kul. Det aktive kul er indbygget i en keramisk struktur, der gør det muligt at opfange fuldstændigt og uden besvær urenhederne, ved at danne en høj opslugningsflade.

Mætningen af de keramiske filtre med aktivt kul sker efter en mere eller mindre langvarig brug, og er afhængig af køkkentypen og af regelmæssigheden af fedtfilterets rengøring. En termisk regeneration af disse filtre er også mulig hver 2/3 måned i en forvarmet ovn ved 200°C i 45 minutter. Regenerationen gør det muligt at forlænge filternes levetid op til højst 5 år.

5.2 Fejlfinding

FEJLKODE	BESKRIVELSE	MULIGE ÅRSAGER	UDBEDRING AF FEJL
E2	Kontrolpanelet slukker ved for høje temperaturer	De elektroniske deles indvendige temperatur er for høj	Vent til kogepladen er kølet af, før den bruges igen
FEJL03 + lydsignal 	En kontinuerlig (uafbrudt) aktivering af tasten er detekteret. Grænsefladen slukker efter 10 sekunder.	Vand, gryde eller køkkengrej oven på brugerens grænseflade.	Rengør overfladen og fjern eventuelle genstande fra pladen.
Til alle de andre fejlsignaleringer (E ... U ...)	Kontakt teknisk service og meddel fejlkoden		

5.3 Serviceafdeling

Før du kontakter serviceafdelingen.

1. Kontrollér, om det er muligt at løse problemet på egen hånd, ifølge oplysningerne under "Fejlfinding".
2. Sluk apparatet og tænd det igen for at se, om fejlen er rettet.

Hvis problemet efter de ovenfor anført eftersyn vedvarer, skal du kontakte din nærmeste serviceafdeling.

Noudata tässä ohjekirjassa annettuja käyttöohjeita huolellisesti. Valmistaja ei vastaa ohjekirjassa annettujen ohjeiden noudattamatta jättämisestä aiheutuneista haitoista, vahingoista tai tulipaloista. Laite on tarkoitettu ainoastaan elintarvikkeiden kypsentämiseen kotitaloudessa. Mikä tahansa muu käyttö on kielletty (esimerkiksi huoneen lämmittäminen). Valmistaja ei vastaa väärástá tai ohjeiden vastaisesta käytöstá aiheutuvista vahingoista.

Tuote saattaa olla ulkonáóltáán erilainen kuin

käyttöohjeen kuvissa näkyvä malli. Käyttöohjeet, asennus ja huolto ovat kuitenkin muuttumattomat.

On tärkeää säilyttää ohjekirja tulevaa tarvetta varten.

Mikäli laite myydään tai siirretään uudelle omistajalle tai jos laitteen käyttäjä muuttua, on varmistettava että käyttöohje jää uuden käyttäjän saataville.

! Lue käyttöohjeet huolellisesti: ne sisältävät tärkeää tietoa laitteen asennuksesta, käytöstä ja turvallisuudesta.

! Älä tee muutoksia laitteen sähköliitännöihin

! Tarkista ennen laitteen asennusta, että kaikki osat ovat vahingoittumattomia. Jos laitteessa on viallisia osia, ota yhteys jälleenmyyjään ja keskeytä asennus.

! Tarkista tuotteen eheys ennen kuin ryhdyt asennukseen. Jos laitteessa on viallisia osia, ota yhteys jälleenmyyjään ja keskeytä asennus.

Huomautus: Symbolilla “(*)” merkityt tarvikkeet ovat vain joissakin malleissa mukana olevia lisävarusteita tai tarvikkeita, jotka on ostettava erikseen.



1. Varoituksia

Varoitus! Noudata huolellisesti seuraavia ohjeita:

- Laite tulee kytkeä irti sähköverkosta ennen minkään asennustoimenpiteen aloittamista.

- Asennuksen tai huollon saa suorittaa vain ammattitaitoinen asentaja valmistajan ohjeiden ja voimassa olevien paikallisten turvallisuusmääräysten mukaisesti. Älä korjaa tai vaihda mitään laitteen osaa, ellei ohjekirjassa nimenomaan neuvota tekemään niin.

- Laitteen maadoitus on lakisääteinen.

- Virtajohdon on oltava riittävän pitkä, jotta kalusteeseen asennetun laitteen voi kytkeä sähköverkkoon.

- Asennus on voimassa olevien turvallisuusmääräysten mukainen vain, jos järjestelmässä on määräysten mukainen moninapainen verkkokytin, jolla varmistetaan että laite on täysin irrallaan sähköverkosta ylijännite III tilanteessa, asennusmääräysten mukaisesti.

- Älä käytä soviteosia tai jatkojohtoja.

- Kun asennus on tehty, sähköosat eivät saa enää olla käyttäjän ulottuvilla.

- Laite ja sen kosketettavissa olevat osat tulevat kuumiksi käytön aikana. Varo koskemasta kuumeneviin osiin.

- On varottava, etteivät lapset pääse leikkimään laitteella. Lapset on paras pitää turvallisen välimatkan päässä, sillä laitteen kosketettavissa olevat osat voivat tulla hyvin kuumiksi käytön aikana.

- Sydämen tahdistimien tai muiden samankaltaisten laitteiden käyttäjien on tarkistettava keittoalueen ja tahdistimen toimintojen yhteensopivuus ennen induktio-keittoalueen käyttöönottoa.

- Älä koske laitteen lämpövastuksiin käytön aikana tai sen jälkeen.

- Vältä kosketusta pyyhkeiden tai muiden tulenarkojen materiaalien kanssa, kunnes kaikki laitteen osat ovat jäähtyneet.

- Älä laita laitteen päälle tai sen läheisyyteen tulenarkoja materiaaleja.

- Ylikuumentunut rasva tai öljy syttyy helposti palamaan. Valvo kypsymistä, jos ruoka sisältää paljon rasvaa tai öljyä.

Jos pinnalla esiintyy halkeama, sammuta

laite estääksesi sähköiskujen syntymisen mahdollisuutta.

- Laite ei ole tarkoitettu käytettäväksi ulkopuolisen ajastimen tai erillisen kauko-ohjauksen kanssa.

- Rasvassa tai öljyssä kypsentäminen keittotasolla ilman valvontaa voi olla vaarallista ja se voi aiheuttaa tulipalovaaran.

- Älä jätä keittotasoa toimimaan ilman valvontaa. Nopeaa kypsennystä on valvottava koko ajan.

- ÄLÄ KOSKAAN yritä sammuttaa tulipaloa vedellä. Kytke sen sijaan laite irti sähköverkosta ja peitä liekit esimerkiksi kannella tai sammutushuovalla. Tulipalovaara: älä jätä esineitä keittotasojen päälle.

- Älä käytä höyrypesuria.

- Älä laita keittotasolle metalliesineitä kuten veitsiä, haarukoita, lusikoita ja kansia, koska ne voivat kuumentua.

- Ennen kuin laitemalli kytketään sähköverkkoon: tarkista tuotekilvestä (joka sijaitsee laitteen alaosassa), että sähköverkon jännite ja teho soveltuvat laitteeseen sekä varmista liitäntäpistorasian soveltuvuus. Epäselvissä tapauksissa ota yhteyttä pätevään sähköasentajaan.

Tärkeää:

- Kytke keittotaso pois päältä käytön jälkeen sen omasta kytkimestä. Älä luota puuttuvista kattiloista kertoviin merkkivaloihin.

- Vältä nesteiden ylikiehumista, kun keität

tai lämmität nesteitä, alenna lämpöä.

- Älä jätä keittotasoa päälle käyttämättömänä, älä myöskään jätä tyhjiä keittoastioita kuumalle keittotasolle.

- Kun olet lopettanut keittotason käytön, sammuta vastaava alue.

- Älä käytä kypsentämiseen alumiinifoliota, äläkä koskaan laske alumiinifolioon pakattuja tuotteita suoraan keittotasolle. Alumiinin sulaminen aiheuttaisi sille korjaamattoman vahingon.

- Älä koskaan lämmitä ruokaa sisältävää suljettua peltitölkkiä tai säilykepurkkia: se voi räjähtää!

Tämä varoitus koskee kaikkia keittotasomalleja.

- Korkea tehon käyttö kuten Booster – toiminto ei sovellu joidenkin nesteiden kuumentamiseen kuten käristyksessä käytettävään öljyyn. Liiallinen kuumuus voi olla vaarallinen. Näissä tapauksissa on suositeltavaa käyttää pienempää tehoa.

- Keittoastiat tulee asettaa keittotasolle ja niiden on oltava tason keskellä. Älä missään tapauksessa aseta muita esineitä kattilan ja keittotason väliin.

- Korkeissa lämpötiloissa laite vähentää automaattisesti keittoalueiden tehoa.

Ennen huoltotoimenpiteiden aloittamista, kytke laite irti sähköverkosta irrottamalla pistoke tai kytkemällä huoneiston pääkatkaisin pois päältä.

Kaikkien asennukseen ja huoltoon liittyvien toimenpiteiden aikana suoja

kädet työkäsineillä.

Laitteen käyttö on sallittu vähintään 8-vuotiaille lapsille ja sellaisille henkilöille, joiden fyysinen, aisteihin liittyvä tai henkinen toimintakyky on rajoittunut tai joilla ei ole kokemusta tai tietoa laitteen käytöstä sillä ehdolla, että heitä valvotaan ja opastetaan laitteen turvalliseen käyttöön liittyen ja että he tuntevat sen käyttöön liittyvät vaarat.

Lapsia on valvottava sen varmistamiseksi, etteivät he leiki laitteella.

Lapset eivät saa suorittaa puhdistusta ja huoltoa ilman valvontaa.

Kun liesituuletinta käytetään samanaikaisesti muiden kaasua tai muita polttoaineita käyttävien laitteiden kanssa, huoneessa on oltava riittävä tuuletus.

Liesituuletin tulee puhdistaa usein sekä sisä- että ulkopuolelta (**VÄHINTÄÄN KERRAN VUODESSA**), noudattamalla joka tapauksessa käyttöohjeessa nimenomaisesti annettuja aikoja.

Liesituulettimen puhdistukseen ja vaihtoon sekä suodattimien puhdistukseen kuuluvien määräysten noudattamatta jättäminen aiheuttaa tulipalovaaran.

On ehdottomasti kiellettyä liekittää ruokia.

Avotulen käyttö on vahingollista suodattimille ja voi aiheuttaa tulipaloja. Näin ollen sen käyttöä on vältettävä joka tapauksessa.

Paistaminen on suoritettava yksinomaan valvonnan alla, jotta voidaan välttää ylikuumentuneen öljyn syttymistä palamaan.

VAROITUS: Kun keittotaso toimii, liesituulettimen osat voivat tulla kuumiksi.

Varoitus! Älä kytke laitetta sähköverkkoon ennen kuin asennus on suoritettu loppuun.

Mitä sovellettaviin teknisiin turvallisuusmääräyksiin tulee, noudata paikallisten pätevien viranomaisten antamia määräyksiä.

Imettyä ilmaa ei saa ohjata kanavaan, jota käytetään kaasua tai muita polttoaineita käyttävien laitteiden savujen poistoon.

Älä käytä tai jätä liesituuletinta ilman siihen oikein asennettuja lamppeja estääksesi mahdollisen sähköiskun syntymistä.

Älä koskaan käytä liesituuletinta jos ritilää ei ole asennettu oikein!


Käytä pelkkiä tuotteen mukana tulevia kiinnitysruuveja, tai jos ne eivät kuulu toimitukseen, hanki kooltaan oikeat ruuvit. Käytä pituudeltaan oikean kokoisia ruuveja, jotka on osoitettu asennusohjeessa.

Kun liesituuletinta ja muuta kuin sähköenergiaan käyttäviä laitteita käytetään samanaikaisesti, huoneessa syntyvä negatiivinen paine ei saa ylittää 4 Pa:ta (4×10^{-5} bar).

Tämä laite on merkitty EU:n Waste Electrical and Electronic Equipment (WEEE) -direktiivin 2012/19/EY mukaisesti. Käyttäjä osallistuu mahdollisten terveydelle ja ympäristölle haitallisten seurausten ehkäisemiseen hävittäessään laitteen asianmukaisella tavalla.

Laitteessa tai sen mukana tulevissa asiakirjoissa oleva



merkki  osoittaa, että kyseinen laite ei kuulu talousjätteisiin, vaan se on varta vasten toimitettava sähkö- ja elektroniikkalaiteromun keräyspisteeseen kierrätystä varten. Hävitä laite noudattamalla paikkakuntasi jätehuoltoa koskevia säädöksiä.

Halutessasi lisätietoja laitteen keräyksestä, käsittelystä ja kierrätyksestä ota yhteys paikkakuntasi jätehuoltoon, talousjätteiden keräyspisteeseen tai liikkeeseen josta laite on hankittu.

Laite on suunniteltu, testattu ja valmistettu noudattamalla seuraavia standardeja:

- Turvallisuus: EN/IEC 60335-1; EN/IEC 60335-2-6, EN/IEC 60335-2-31, EN/IEC 62233.
- Suorituskyky: EN/IEC 61591; ISO 5167-1; ISO 5167-3; ISO 5168; EN/IEC 60704-1; EN/IEC 60704-2-13; EN/IEC 60704-3; ISO 3741; EN 50564; IEC 62301.
- EMC: EN 55014-1; CISPR 14-1; EN 55014-2; CISPR 14-2; EN/IEC 61000-3-3; EN/IEC 61000-3-12. Neuvoja tuotteen oikeaan käyttöön ympäristövaikutuksen vähentämiseksi: Kun aloitat ruokien kypsennyksen, käynnistä liesituuletin miniminopeudelle ja jätä se päälle myös muutama minuutti kypsennyksen jälkeen. Lisää nopeutta vain kun paikalla on suuri määrä savua ja höyryä, käyttämällä booster-toimintoa vain ääritapauksissa. Hajujen vähennysjärjestelmän tehokkuuden säilyttämiseksi, vaihda tarvittaessa hiilisuodatin/suodattimet. Säilyttääksesi rasvasuodatinta tehokkaana, puhdistu se tarpeen vaatiessa. Tehokkuuden ja melutason vähentämiseksi, käytä tässä ohjekirjassa osoitettua kanavoinnille tarkoitettua maksimaalista halkaisijaa.

2. Käyttö

Keittotason käyttö

Induktioperiaate perustuu fyysiseen magneettivuon tiheysilmioon. Pääasiallisesti tämä ilmiö mahdollistaa lämmittävän energian suoran siirtymisen generaattorista keittotasaan.

Edut:

Sähköliesiin verrattuna induktiotaso on:

- **Turvallisempi:** lasipinnan lämpötila on alhaisempi.
- **Nopeampi:** ruokien lämmitysajat ovat lyhyemmät.
- **Tarkempi:** taso reagoi välittömästi annettuihin ohjauksiin
- **Tehokkaampi:** 90% saadusta energiasta muuttuu lämmöksi. Lisäksi kun kattila on poistettu tasolta, lämmön siirto keskeytyy välittömästi estäen turhaa lämmönhukkaa.

2.1 Keittoastiat



Käytä vain kattiloita, joissa on  merkki

Tärkeää:

Keittotason vahingoittumisen estämiseksi, älä käytä:

- keittoastioita, joiden pohja on epätasainen.
- metallisia keittoastioita, joiden pohja on emaloitu.
- keittoastioita, joiden pohja on naarmuuntunut, näin keittotason pinta ei naarmuunnu.
- älä koskaan laita kuumia kattiloita tai pannuja keittotason käyttöpaneelin päälle.

2.1.1 Entisten kattiloiden tarkistaminen

Induktioperiaate käyttää hyväksi magnetismin lämmöntuottamiseen. Siksi keittoastioiden valmistusmateriaalien tulee sisältää rautaa. Pienellä magneetilla voit helposti tarkistaa onko keittoastiasi magneetoituva. Kattilat eivät ole sopivia, ellei magneetti havaitse niitä.

2.1.2 Keittoastian pohjan suositeltavat läpimitat

TÄRKEÄÄ : Keittoalueet eivät kytkeydy toimintaan, jos kattilat eivät ole oikean kokoisia

Tarkista keittoalueeseen sopivan kattilan minimi läpimitat tämän ohjekirjan kuvista.

2.2 Energiansäästö

Parhaan tuloksen saavuttamiseksi on suositeltavaa:

- Käyttää kattiloita ja pannuja, joiden pohjan läpimitat on sama kuin keittoalueen läpimitat.
- Käyttää vain tasapohjaisia kattiloita ja pannuja.
- Peittää kattila kannella kypsennyksen ajaksi, jos mahdollista
- Keittää kasvikset, perunat yms. pienessä vesimäärässä keittoajan lyhentämiseksi.
- Käyttää painekattilaa, se alentaa energian kulutusta ja lyhentää kypsennysaikaa
- Asettaa keittoastia tasoon merkityn keittoalueen keskelle.

Imurin käyttö Imurijärjestelmää voidaan käyttää imevän mallina, joka poistaa imetyt ilman ulos tai suodattavana ilmankiertojärjestelmänä.



Imurimalli

Kuva 7

Höyryt poistetaan ulos putkistosarjan kautta (hankittava erikseen), joka kiinnitetään varustuksiin kuuluvaan liitoslaippaan.

Poistoputken halkaisijan tulee olla kooltaan vähintään liitäntäputken liitosrenkaan halkaisijan kokoinen:

- jos kyseessä on suorakulmainen ulostulo 222 x 89 mm
- jos kyseessä on pyöreä ulostulo Ø 150 mm (*)

Lisätietoja varten, ks. imurimallin lisävarusteita koskeva sivu tämän ohjekirjan kuvitetussa osassa.

Kuva 7c

Liitä tuote putkiin ja seinässä oleviin poistoaukkoihin, joiden halkaisija vastaa ilman ulostuloa (liitoslaippa).

Jos käytetään halkaisijaltaan pienempiä putkia ja seinässä olevia poistoaukkoja, imukyky heikkenee ja melu lisääntyy huomattavasti.

Näin ollen kaikki siihen liittyvä vastuu hylätään.

! Käytä mahdollisimman lyhyttä putkea.

! Käytä putkea jossa on mahdollisimman vähän käänteitä (käänteiden maksimi kulma: 90°).

! Vältä äkillisiä muutoksia putken halkaisijassa.



Suodattava malli

Kuva 8

Imetty ilma suodatetaan tarkoituksenmukaisia rasvasuodattimia ja hajusuodattimia käyttämällä ennen kuin ne ohjataan takaisin huoneeseen.

Tuote toimitetaan kaikilla tarvittavilla varusteilla vakioasennusta varten ilman ulostulo edessä kalusteen jalkalistassa.

Pakkaus sisältää lisäksi neljä äärimmäisen tehokasta keraamista suodatinryhmää aktiivihiilillä. Keraamiset suodattimet ovat regeneroituvia modulaarisia hiilisuodattimia (tutustu tämän ohjekirjan osaan Huolto - Aktiivihiilisuodattimet).

Kemiallisten ja fyysisten ominaisuuksien ansiosta hajut absorboidaan tehokkaasti ja korkea mekaaninen kestävyys saadaan.

Lisätietoja varten, ks. suodattavan mallin lisävarusteita koskeva sivu (tämän ohjekirjan kuvitetussa osassa).

Kuvat 13b

3. Asennus

Sähkö- ja mekaanisen asennuksen saa tehdä ainoastaan asiantunteva henkilö.

Keittotaso on valmistettu asennettavaksi työtasoon, paksuus 2-6 cm jos kyseessä on TOP-asennus; 2,5-6 cm jos kyseessä on FLUSH-asennus.

Keittotason ja seinän välinen vähimmäisetäisyys on 5 cm edestä, vähintään 4 cm sivuilta ja vähintään 50 cm päällä olevista hyllyistä.

HUOM. = Osoitetut etäisyydet ovat suuntaa-antavia: tilojen suunnittelussa on noudatettava keittiökalueteiden valmistajan antamia ohjeita.



3.1 Sähköliitäntä

Kuva 3

- Kytke laite irti sähköverkosta

- Laitteen asennuksen saa suorittaa ainoastaan ammattitaitoinen sähköasentaja, joka tuntee voimassa olevat asennusta ja turvallisuutta koskevat määräykset.

- Valmistaja ei vastaa minkäänlaisista ihmisille, eläimille tai omaisuudelle aiheutuneista vahingoista, jos vahinko on syntynyt näiden määräysten noudattamisen laiminlyönnin vuoksi.

- Virtajohdon on oltava riittävän pitkä, jotta keittotaso voidaan poistaa työtasolta

- Varmista, että laitteen pohjassa olevaan arvokilpeen merkitty jännite vastaa asuntosi jännitettä.

- Älä käytä jatkojohtoja.

- Laitteen maadoitus on lakisääteinen

- Maadoitusjohdon on oltava 2 cm muita johtoja pidempi

- Mikäli kodinkoneen mukana ei ole toimitettu kaapelia, käytä

kaapelia, jonka poikkileikkaus on vähintään 2,5 mm² tehoille 7200 Watt. Tämän ylittävälle tehoille vähintään 4 mm²).

- Kaapelin lämpötila ei saa ylittää missään kohdassa 50°C ympäristön lämpötilaa.

- Laite on tarkoitettu kytkettäväksi pysyvästi sähköverkkoon.

Tämän vuoksi suoritetaan kiinteään verkkoon sääntömääräisen yleiskatkaisimen kautta, joka takaa täydellisen irtikytkennän ylijänniteluokassa III ja varmista, että se on helppopääsyisessä paikassa asennuksen jälkeen.

Huomautus: kodinkoneen kytkemiseksi valinnaisella yksivaihelaitännällä irrota paikalla oleva kaapeli ja vaihda se toisentyypiseen kaapeliin (ei kuulu toimitukseen), jossa on seuraavat ominaisuudet:

yksivaihelaitantä : kaapeli H05V2V2-F 3G4

Kuvat 3a

Varoitus! Tarkista aina, että verkkojohto on asennettu oikealla tavalla ennen kuin yhdistät laitteen sähköverkkoon ja tarkista että se toimii oikein.

Varoitus! Yhdyskaapelin voi vaihtaa ainoastaan valtuutettu asentaja tai henkilö, jolla on vastaava koulutus.

Huomautus : tuote on varustettu Power Limitor -toiminnolla, jonka avulla kw:n maksimaalinen absorbointiraja voidaan asettaa Asetus on tehtävä kun tuote kytketään sähköverkkoon tai pois sähköverkosta (2 seuraavan minuutin sisällä). **Power Limitationin asetussarjaa varten, tutustu tämän ohjekirjan osaan Toiminta.**

3.2 Asennus

Ennen asennuksen aloittamista:

- Kun laite on purettu pakkauksesta tarkista, että se ei ole vahingoittunut kuljetuksen aikana. Mikäli havaitset ongelmia, ota yhteys jälleenmyyjään tai huoltopalveluun ennen asennuksen aloittamista.
- Tarkista ennen asennuksen aloittamista, että ostamasi tuote sopii sille varattuun tilaan.
- Tarkista, että pakkauksen sisään ei ole (kuljetuksesta johtuen) jäänyt pakkausmateriaaleja (kuten ruuveja sisältäviä kirjekuoria tai takuupapereita). Poista ne ja säilytä tarvittaessa.
- Tarkista myös, että asennusalueen lähetyksillä on pistorasia

Kalusteiden valmistelu asennusta varten:

- Tuotetta ei voi asentaa jäähdytyslaitteiden, astianpesukoneiden, uunien, pesukoneiden ja kuivausrumpujen päälle.
- Saha kalusteeseen aukot ennen keittotason sijoittamista siihen ja poista huolellisesti kaikki lastut tai sahanpurut.

TÄRKEÄÄ: käytä yhdestä liima-aineesta valmistettua tiivisteainetta (**S**), joka kestää jopa 250° lämpötilaa; ennen asennusta, kaikki liimattavat pinnat on puhdistettava huolella poistamalla kaikki aineet, jotka voivat vaarantaa niiden kiinnittymistä (esim.: irrotusaineet, säilytysaineet, rasvat, öljyt, vanhojen tarrojen jäämät, jne.); liima-aine on levitettävä tasaisesti kehikon ympärille; kun se on liimattu, anna liima-aineen kuivua noin 24 tuntia.

Kuva 1b

VAROITUS! Jos ruuveja ja kiinnitystarvikkeita ei ole asennettu ohjeiden mukaisesti, on olemassa sähköiskun vaara.

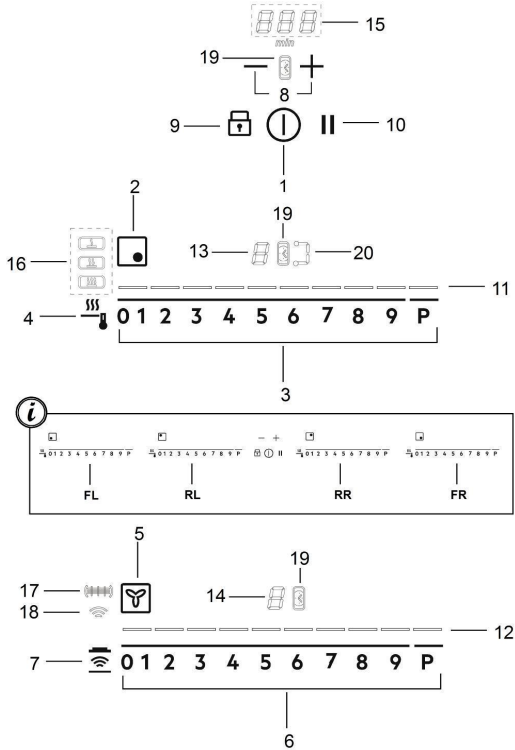
Huomautus: tuotteen oikeaa asennusta varten on suositeltavaa laittaa putkistoihin teipit, joiden ominaisuudet vastaavat seuraavaa:

- joustavaa ja pehmeää PVC:tä, akryylijohjaisella liimalla
- standardin DIN EN 60454 mukainen
- paloa estävää ainetta
- ihanteellisen vanhenemisenkestävyys
- kestää lämpötilan vaihteluita
- käytettävä alhaisissa lämpötiloissa

4. Toiminta

Ohjauspaneeli

Huomautus: Keittoalueen valintaan riittää sitä vastaavan kuvakkeen hipaisu (painaminen).



Näppäimet

Näyttö / LED

1. Keittotason/imurin näppäin **ON/OFF**
2. Keittoalueen asennon osoitin
3. Keittoalueiden valinta
Power Level -lisäys/vähennys
4. Temperature Manager aktivointi
5. Imurin osoitin
6. Imurin valinta
Imunopeuden (tehon) lisäys/vähennys
7. Automaattisten toimintojen kytkeminen päälle
Suodattimien kyllästymisen nollaus
8. Ajustimen kytkeminen päälle
Ajustinajan lisäys/vähennys
9. Key Lock
- 9+10. Child Lock
10. Tauko / Recall

11. Power Level -näyttö
12. Imunopeuden (tehon) näyttö
13. Keittoalueen näyttö
14. Imurin näyttö
15. Ajustimen näyttö
16. Temperature Manager -näyttö
17. Suodattimien aputoimintojen osoitin
18. Automaattisen imutoiminnan osoitin
19. Käynnissä olevan ajustimen osoitin
20. Käynnissä olevan Bridge-toiminnon osoitin

KEITTOTASON KÄYTTÖ


Hyvä tietää ennen käytön aloittamista:

Kaikki keittotasoinnot on suunniteltu tiukimpien turvallisuusmääräysten mukaisesti.

Tästä johtuen:

• **Tietyt toiminnot eivät käynnisty, tai ne menevät automaattisesti pois päältä, jos liedellä ei ole kattiloita tai jos kattilat eivät ole oikealla paikalla.**

• Muussa tapauksessa käynnistetyt toiminnot menevät automaattisesti pois päältä muutama sekunti sen jälkeen kun valittu toiminto olisi säädettävä uudestaan (esimerkiksi: "Keittotasoin kytkeminen toimintaan" jos ei ole valittu "Valitse keittoalue" ja "Käyttölämpötila", tai "Lock-toiminto" tai "Timer").

 **Varoitus!** Pitkäaikaisen käytön jälkeen (esimerkiksi) keittoalueen merkivalo ei sammunut heti, koska alue ei ole vielä jäähtynyt; keittoalueiden näytöllä näkyy merkki "H" joka ilmoittaa tästä vaiheesta.

Odota, että näyttö sammuu ennen kuin kosket keittoalueeseen.

Keittoalueen näyttö

keittoalueiden näytöllä näkyvät seuraavat tiedot:

Keittoalue toiminnassa	0
Power Level -näyttö	1...9.P
Residual Heat Indicator	H
Pot Detector	U -
Temperature Manager-toiminto päällä	U
Child Lock-toiminto päällä	L
Taukotoiminto	
Automatic Heat UP -toiminto	A

Keittotasoinnaisuuudet

● Safe Activation

Tuote kytkeytyy päälle vain jos keittotasolla on kattiloita: lämmitysmenetelmä ei käynnisty tai se keskeytyy jos kattiloita ei ole paikalla tai ne poistetaan.

● Pot Detector

Tuote havaitsee kattilat automaattisesti keittoalueilla.

● Safety Shut Down

Turvallisuussyistä jokaisella keittoalueella on maksimaalinen toiminta-aika, joka riippuu asetetusta tehotasosta.


● Residual Heat Indicator

Kun yksi tai useampi keittoalue sammutetaan, jäljelle jäävästä lämpötilasta ilmoitetaan vastaavalla keittotasolla seuraavan symbolin "H" kautta.

Toiminta

Huomautus: Toiminnon aktivoimiseksi, kytke ensiksi päälle haluamasi alue.

● Käynnistys

Paina (hipaise)  keittotasoinn/urin ON/OFF -näppäintä

Merkkivalo syttyy merkiksi siitä, että keittotasoinn/urini on toimintavalmis

Paina uudelleen sammuttamiseksi

Huomautus: Tämä toiminto on ensisijainen.

● Keittoalueiden valinta

Hipaise (paina halutun keittoalueen Valintakytkintä (3).

● 9 Power Level

Keittotasoinn kuuluu 9 tehotasoa

Hipaise ja liu'uta somea **valintakytkimellä (3):**

oikealletehotason lisäämiseksi;

vasemmalletehotason vähentämiseksi;

● Power Booster

Tuote on varustettu ylimääräisellä tehotasolla (tason **9** lisäksi), joka jää päälle 10 minuutiksi, jonka jälkeen lämpötila palaa edellä käytössä olevalle tehotasolle.

Hipaise ja liu'uta somea **valintakytkimellä (3)** (yli tason **9**) ja kytke päälle Power Booster
Power Booster tehotaso osoitetaan valitun alueen näytöllä merkillä "P"

● **Bridge Zones**

Olevat keittoalueet kykenevät toimimaan yhdistetyllä tavalla Bridge-toiminnon ansiosta saamalla aikaan yhtenäisen ja samalla teholla toimivan alueen. Kyseisen toiminnon ansiosta saadaan tasainen kypsennys kun kyseessä on suurikokoiset vuoat ja keittoastiat.

Sitä voidaan käyttää yhdessä edessä olevan keittoalueen "Master" ja vastaavan takana olevan "Toissijaisen" alueen kanssa

(tarkistaaksesi mitkä alueet on varustettu tällä toiminnolla, tutustu tämän ohjekirjan kuvitettuun osaa).

Bridge-toiminnon aktivoimiseksi:

- valitse samanaikaisesti kaksi keittoaluetta joita halutaan käyttää

- Bridge-osoitin (20) syttyy palamaan "Toissijaisella"

keittoalueella "L"


- Keittoalueen "Master" valintakytkimen (3) avulla on mahdollista asettaa Käyttötaso (teho)



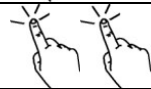



- Bridge-toiminnon kytkemiseksi pois päältä riittää, että käynnistystoiminto toistetaan

● **Temperature Manager**

Temperature Manager on toiminto, jonka avulla voidaan asettaa paras esiasetettu lämpötila, haluamasi tuloksen saamiseksi (tutustu Temperature Manager -taulukkoon tämän luvun lopussa).

Valitse haluamasi keittoalue.

• Paina yhden tai useamman kerran  (4) sopivan tason valitsemiseksi käytettävissä olevien joukosta:

	Melting*	
	Warming*	
	Simmer*	
* Tutustu Temperature Manager -taulukkoon tämän luvun lopussa.		

• Paina uudelleen sammuttaaksesi.

Temperature Manager -toiminnassa olevan keittoalueen näyttöön ilmestyy merkki "L"

● **Key Lock**

Key Lock -toiminnon avulla keittotason asetukset voidaan lukita, jotta niiden tahaton kytkeytyminen estettäisiin, jättämällä päälle ennalta asetetut toiminnot.

Toiminnon kytkeminen päälle:

• paina  (9)

• näppäimen päällä oleva LED-valo syttyy osoittaen sen aktivoitumista

Toista toimenpide kytkäksesi toiminnon pois päältä.



● **Child Lock**

Child Lock -toiminnon avulla voidaan estää, että lapset eivät pääse käynnistämään keitto- ja liesituulettimen alueita vahingossa, estäen näin minkä tahansa toiminnon käynnistymistä.

Child Lock -toiminto voidaan käynnistää vain kun tuote on päällä, mutta keittoalueet (ja imualue) sammutettuina.

Kytkäksesi toiminnon päälle:

• poista keittotasolle mahdollisesti unohtuneet keittoastiat

• paina ja pidä painettuna samanaikaisesti  (9) ja  (10), äänimerkki osoittaa, että toiminto on päällä ja "L" näytetään näytöllä (13) ja (14).

Toista toimenpide kytkäksesi toiminnon pois päältä.

● **Timer**

Timer-toiminto on lähtölaskenta, joka on mahdollista asettaa myös samanaikaisesti jokaiselle keittoalueelle (ja imualueelle). Asetetun ajan päätyessä, keittoalue (tai imualue) sammuu automaattisesti ja käyttäjälle ilmoitetaan siitä äänimerkillä.

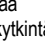
Timer-toiminnon aktivointi/säätö keittotasolle

• Valitse keittoalue (hastighed 1 0).

• Paina  (8) Timer-toimintoon pääsemiseksi

• Timerin kestoajan säätö:

paina valintakytkintä , lisätäksesi automaattista sammutusaikaa

paina valintakytkintä , vähentääksesi automaattista sammutusaikaa

Halutessasi voit toistaa toiminnon muilla keittoalueilla.


Huomautus: Jokaiselle keittoalueelle voi olla asetettu erilainen Timer; näytölle (15) ilmestyy 10 sekunnin ajaksi viimeksi valitun tason lähtölaskenta, jonka jälkeen visualisoidaan lähtölaskenta pienemmällä ajalla.

Kun timer on lopettanut lähtölaskennan, äänimerkki soi (2 minuuttia tai loppuu painamalla mitä tahansa tason näppäintä), kun taas näyttö (15) vilkkuu yhdessä merkin "00" kanssa.

Huomautus: keittotason viereen, kun Timer on käytössä,

ilmestyy merkki  (19)

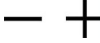
Timerin sammuttaminen:

- valitse keittoalue
- aseta ajastimen arvo kohtaan "0", kautta 

Huomautus: toiminto jää päälle jos sillä välin ei paineta muita näppäimiä.

● Egg Timer

Egg Timer -toiminto on keittoalueista (ja imualueesta) riippumaton lähtölaskenta. Egg Timer kytkeytyy päälle

painamalla  (8).

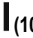

Huomautus: toiminnon Egg Timer säätämiseksi, noudata Timer-toimintoa vastaavaa menetelmää.

Kun timer on lopettanut lähtölaskennan, äänimerkki soi (2 minuuttia tai loppuu painamalla mitä tahansa tason näppäintä), kun taas näyttö (15) vilkkuu yhdessä merkin "00" kanssa.

● Tauko

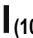
Taukotoiminnan avulla voidaan keskeyttää mikä tahansa päällä oleva toiminto keittotasolla, asettamalla kypsennysteho nolnaan.

Toiminnon kytkeminen päälle:

- paina  (10)
- visualisoituu  näytössä (13).

Kytkeäksesi toiminnon pois päältä:

Huomautus: tämä toimenpide palauttaa keittotason tilan taukoa edeltävään tilaan

- paina  (10)
- 10 sekunnin sisällä liu'uta sormia valintakytkimellä (3), koskien keittoaluetta 2 (KUVA 19);



Huomautus: jos toimenpidettä ei suoriteta tämän ajan sisällä taukotoiminto jää päälle.

Huomautus: jos 10 minuutin kuluttua Taukotoimintoa ei kytkeä pois päältä, taso sammuu automaattisesti.

● Recall

Recall-toiminnon avulla voidaan palauttaa ennalleen kaikki tasolle asetetut asetukset, jos kyseessä on äkillinen sammuminen.

Toiminnon kytkeminen päälle:

- käynnistä taso uudelleen 
6 sekunnin sisällä sen sammutuksesta
- paina 
seuraavien 6 sekunnin sisällä

● Automatic Heat UP -toiminto

Toiminnon Automatic Heat UP avulla asetettu teho saadaan nopeammin oikealle tasolle; tämän toiminnon avulla kypsennyksestä saadaan nopeampi, ruokia kuitenkin polttamatta, sillä lämpötila ei ylitä asetettua tasoa. Tämä toiminto on käytettävissä tehotasolle 1 - 8.


Toiminnon kytkeminen päälle:

- paina pitkään valintakytkintä (3), haluttu teho
- visualisoituu "F" näytössä (13).



● Power Limitation

Power Limitation -toiminnon avulla voidaan asettaa tuotteen toiminta rajoittamalla sen maksimaalista absorbointia.

Huomautus: asetetus on tehtävä keittotaso sammutettuna,

painamatta näppäintä , kun keittotaso kytetään sähköverkkoon tai virran kytkeytyessä uudelleen päälle, seuraavien 2 minuutin sisällä.

Power Limitation asettamiseksi:

- paina ja pidä painettuna pitkään näppäimiä  , kunnes lyhyt äänimerkki kuuluu

- käytä samanaikaisesti liukusäätimiä FL ja RL

0 1 2 3 4 5 6 7 8 9 P, vasemmalta oikealle,

ja pidä painettuna pitkään kirjainten P kohdalla, kunnes lyhyt äänimerkki kuuluu

Ajastimen (15) näyttö näyttää symbolit "CF6", jotka osoittavat, että asetetus voidaan suorittaa

alueen FL näyttö (7) näyttää senhetkisen asetuksen**
0 = 7,4 KW
1 = 4,5 KW

** asetetus on oletusarvoisesti 7,4 KW

- Power Limitation-asetuksen vaihtamiseksi käytä liukupalkkia

FL 0 1 2 3 4 5 6 7 8 9 P

- vasemmalta oikealle, kW:n lisäämiseksi

- oikealta vasemmalla, Kw:n pienentämiseksi

-suoritetun valinnan tallentamiseksi, paina näppäimiä




, 1 sekunnin ajan;

äänimerkki kuuluu, joka vahvistaa asetuksen ja toiminnosta poistutaan.

IMURIN KÄYTTÖ

● Käynnistys

Paina (hipaise)  keittotason/imurin ON/OFF -näppäintä
Merkkivalo syttyy merkiksi siitä, että keittotaso/imuri on toimintavalmis

Paina uudelleen sammuttamiseksi

Huomautus: Tämä toiminto on ensisijainen.

● Imurin käynnistys:

Hipaise (paina) valintakytkintä (6) kytkeäksesi imurin päälle

● Imunopeus (teho):

Hipaise ja liu'uta sormeasi valintakytkimellä (6):


oikealle lisätäksesi imunopeutta (tehoa), (0-10)

vasemmalle vähentääksesi imunopeutta (tehoa) (10-0)


● Timer


Timer-toiminnon aktivointi/säätö imurille

• Valitse imuri (nopeus ≠ 0).

• Paina  (8) Timer-toimintoon pääsemiseksi (kaikista nopeuksista)

• Timerin kestoajan säätö:

paina valintakytkintä , lisätäksesi automaattista sammutusaikaa

paina valintakytkintä , vähentääksesi automaattista sammutusaikaa

näytöllä (15) visualisoidaan lähtölaskenta,

Huomautus: imurin näytön viereen, kun Timer on käytössä,

ilmestyy merkki  (19)

Kun timer on lopettanut lähtölaskennan, äänimerkki soi (2 minuuttia tai loppuu painamalla mitä tahansa tason näppäintä), kun taas näyttö (15) vilkkuu yhdessä merkin "00" kanssa.

Timerin sammuttaminen:

• valitse keittoalue


• aseta ajastimen arvo kohtaan "0", kautta 

Huomautus: toiminto jää päälle jos sillä välin ei paineta muita näppäimiä.

● Suodattimien kyllästymisen osoitin

Liesituuletin osoittaa kun suodattimet vaativat huoltoa:

Rasvasuodatin


LED  (17) syttyy palamaan


Aktiivihiileen perustuva hajusuodatin

LED  (17) vilkkuu

● Suodattimien kyllästymisen nollaus

Kun suodattimen huolto on suoritettu (rasva- ja/tai aktiivihiili),


paina pitkään näppäintä  (7) ;

LED  sammuu aloittamalla uudelleen osoittimen laskennan.

● Aktiivihiileen perustuvan hajusuodattimen kyllästymisen osoittimen kytkeminen päälle


Tämä osoitin on yleensä pois päältä.

Sen kytkemiseksi päälle, toimi seuraavalla tavalla:

- laita imutaso päälle painamalla  ;

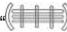
- imumoottori ja keittoalueet sammutettuna, paina ja pidä

 painettuna  (7);

-  syttyy ja sammuu osoittaen päälle kytkeytymistä.

● Aktiivihiileen perustuvan hajusuodattimen kyllästymisen osoittimen kytkeminen pois päältä

toista em. päällekytkentään kuuluva toimenpide

 vilkkuu ja sammuu osoittaen päälle kytkeytymistä.

● Automaattinen toiminto (Hob2Hood)

Liesituuletin käynnistyy sopivimpaan nopeuteen, mukauttamalla imukykyään maksimaaliseen keittoalueiden tehoon.

Kun keittotaso sammutetaan, liesituuletin mukauttaa imunopeuttaan vähentämällä sitä asteittain niin, että höyryt ja jäljelle jäävät hajut poistetaan.

Tämän toiminnon aktivoimiseksi:

 Paina lyhyesti  (7) , LED  (18) syttyy näyttämään, että liesituuletin toimii tällä toimintotavalla.

Imutaso on valmis käytettäväksi yhdessä Windows-anturituotepaketin kanssa (ei saatavana valmistajalta)




Kun Windows-anturipaketti asennetaan, (vain kun tasoa käytetään IMUTAVASSA), ilman imutoiminto pysähtyy aina kun ikkuna sulkeutuu huoneessa johon tuotepaketin sisältävä imutaso on asennettu.

On suositeltavaa ostaa FDS — 100 Elektrotechnik Schabus -tuotepaketti, joka on saatavissa Elektrotechnik Schabus valtuutetuilta jälleenmyyjiltä tai suoraan Internet sivustolta

www.elektrotechnik-schabus.de.

- Tuotepaketin sähköliitännän imutasoon voi tehdä valtuutettu tekninen asiantuntija.

- Imutason valmistaja ei vastaa tuotepaketin vioista ja/tai toimintahäiriöistä ja/tai virheellisestä asennuksesta aiheutuneista haitoista, vahingoista tai tulipalosta.

Käyttöteho (säädetty)		Kuvaus
	Melting	Löytää sopivan tehotason arkojen tuotteiden sulattamista varten vaarantamatta niiden makua ja tuoksua (suklaa, voi jne).
	Warming	Löytää sopivan tehotason ruokien pitämisen sopivan lämpimänä, ilman että ruoka alkaa kiehua.
	Simmer	Löytää sopivan tehotason ruokien pitkäaikaiseen keittämiseen. Sopii tomaatti- tai jauheliihakastikkeen ja keittojen keittämiseen. Säilyttää valvotun tehotason (ihanteellinen vesihaudekypsennystä varten). Estää ruoan ylikuumentumisen tai palamisen pohjaan, mitä usein sattuu tällaisia ruokia valmistettaessa. Käytä toimintoa kun ruoka on alkanut kiehua.

4.1 Tehotaulukko

Tehotaso		Keittotapa	Tason käyttö (viitteellinen-kokemus ja ruoanlaittotottumus vaikuttavat käyttöön)
Maksimiteho	Boost	Nopea kuumentaminen	Ihanteellinen ruoan lämpötilan nopeaa nostamista varten, veden saamiseksi kiehumispisteeseen tai nesteiden nopeaa kuumentamista varten
	8-9	Paistaminen- keittäminen	Ihanteellinen ruskistamiseen, kypsennyksen aloittamiseen, pakasteiden paistamiseen, nopeaan keittämiseen
Korkea teho	7-8	Ruskistaminen - kuullottaminen - keittäminen - grillaaminen	Ihanteellinen ruskistamiseen, kiehunnan ylläpitoon, kypsentämiseen ja grillaamiseen (lyhyen aikaa, 5-10 minuuttia)
	6-7	Ruskistaminen - kypsentäminen- hauduttaminen - kuullottaminen - grillaaminen	Ihanteellinen kuullottamiseen, kevyen kiehunnan ylläpitoon, kypsentämiseen ja grillaamiseen (jonkin aikaa, 10-20 minuuttia), varusteiden kuumentamiseen
Keskitason teho	4-5	Kypsentäminen - hauduttaminen- kuullottaminen - grillaaminen	Ihanteellinen hauduttamiseen, varovaiseen keittämiseen, kypsentämiseen (pitkän aikaa). Kastikkeen sekoittamiseen pastaan
	3-4	Kypsentäminen - kiehauttaminen - saostaminen - sekoittaminen	Ihanteellinen pitkää kypsennystä varten (riisi, kastikkeet, paistit, kala) liemessä (esimerkiksi vesi, viini, lihaliemi, maito), kastikkeen sekoittamiseen pastaan
	2-3	Kypsentäminen - kiehauttaminen - saostaminen - sekoittaminen	Ihanteellinen pitkää kypsennystä varten (määrä alle litran: riisi, kastikkeet, paistit, kala) liemessä (esimerkiksi vesi, viini, lihaliemi, maito)
Alhainen teho	1-2	Pehmentäminen - sulattaminen - lämpimänäpito - kuohkeuttaminen	Ihanteellinen voion pehmentämiseen, suklaan hellävaraiseen sulattamiseen, pienten pakasteiden sulattamiseen
	1	Pehmentäminen - sulattaminen - lämpimänäpito - kuohkeuttaminen	Ihanteellinen pienten, vasta valmistettujen ruokamäärien lämpimänä pitämiseen, tarjoiluastioiden pitämiseen lämpiminä ja risottojen sekoittamiseen
OFF	Nollateho	Alustaso	Keittotaso valmiustilassa tai sammutettu (mahdollinen jälkilämpö, jonka ilmaisee H-LO)

4.2 Kypsennystaulukko

Elintarvikeluokka	Ruoka tai kypsennystyyppi	Tehotaso ja kypsennysjakso			
		Ensimmäinen vaihe	Teho	Toinen vaihe	Teho
Pasta, riisi	Tuore pasta	Veden lämmittäminen	Booster-9	Pastan keittäminen ja kiehumisen jatkaminen	7-8
	Tuore pasta	Veden lämmittäminen	Booster-9	Pastan keittäminen ja kiehumisen jatkaminen	7-8
	Keitetty riisi	Veden lämmittäminen	Booster-9	Pastan keittäminen ja kiehumisen jatkaminen	5-6
	Risotto	Kuullottaminen ja paattaminen	7-8	Kypsentäminen	4-5
Vihannekset, kasvikset	Keitetyt	Veden lämmittäminen	Booster-9	Keittäminen	6-7
	Paistetut	Öljyn kuumentaminen	9	Paistaminen	8-9
	Nopeasti paistetut	Varusteen kuumentaminen	7-8	Kypsentäminen	6-7
	Haudutetut	Varusteen kuumentaminen	7-8	Kypsentäminen	3-4
	Ruskistetut	Varusteen kuumentaminen	7-8	Ruskistaminen	7-8
Liha	Paisti	Lihan ruskistaminen öljyssä (voissa teho 6)	7-8	Kypsentäminen	3-4
	Pariloitu	pannun esikuumentaminen	7-8	Parilointi molemmin puolin	7-8
	Ruskistettu	Ruskistaminen öljyssä (voissa teho 6)	7-8	Kypsentäminen	4-5
	Pata/muhennos	Ruskistaminen öljyssä (voissa teho 6)	7-8	Kypsentäminen	3-4
Kala	Pariloitu	pannun esikuumentaminen	7-8	Kypsentäminen	7-8
	Pata/muhennos	Ruskistaminen öljyssä (voissa teho 6)	7-8	Kypsentäminen	Kypsentäminen
	Paistettu	Öljyn tai rasvan kuumentaminen	8-9	Paistaminen	7-8
Kananmunat	Paistetut	Voin tai rasvan kuumentaminen pannussa	6	Kypsentäminen	6-7
	Munakkaat	Voin tai rasvan kuumentaminen pannussa	6	Kypsentäminen	5-6
	Pehmeäksi /kovaksi keitetetyt	Veden lämmittäminen	Booster-9	Kypsentäminen	5-6
	Ohukaiset	Voin kuumentaminen pannussa	6	Kypsentäminen	6-7
Kastikkeet	Tomaatti	Ruskistaminen öljyssä (voissa teho 6)	6-7	Kypsentäminen	3-4
	Jauhelihakastike	Ruskistaminen öljyssä (voissa teho 6)	6-7	Kypsentäminen	3-4
	Valkokastike	Kastikepohjan valmistaminen (voin sulattaminen ja jauhojen lisäys)	5-6	Kiehauttaminen	3-4
Jälkiruoat, kiisselit	Vaniljakastike	Maidon kiehattaminen	4-5	Keuyen kiehunnan ylläpito	4-5
	Vanukkaat	Maidon kiehattaminen	4-5	Keuyen kiehunnan ylläpito	2-3
	Riisipuuro	Maidon kuumentaminen	5-6	Keuyen kiehunnan ylläpito	2-3

5. Huolto

Keittotason huolto

Varoitus! Varmista aina ennen puhdistamisen tai huollon alkamista, että keittoalueet on sammutettu ja että lämmön ilmaisimien ei ole näkyvissä.

5.1 Puhdistus

Keittotaso on puhdistettava aina käytön jälkeen.

Tärkeää:

Älä käytä hankaavia sieniä, teräsvillaa. Niiden käyttö saattaa ajan myötä vaurioittaa lasia.

Älä käytä voimakkaita kemiallisia puhdistusaineita, kuten uuninpuhdistusaineita tai tahranpoistoaineita.

Jäähdytä keittotaso aina käytön jälkeen ja poista siltä kaikki tahrat ja ruokajäämät.

Sokeri ja runsaasti sokeria sisältävät ruoat vahingoittavat keittotasoa ja ne on poistettava heti.

Suola, sokeri ja hiekka voivat naarmuttaa lasipintaa.

Käytä pehmeää liinaa, imukykyistä keittiöpaperia tai erityistä lieden pesutuotetta (noudata Valmistajan ohjeita)

ÄLÄ KÄYTÄ HÖYRYPESURIA!!!

Tärkeää:

Jos kattiloista vuotaa vahingossa suuri määrä nestettä, tuotteen alaosaan asennetun tyhjennysventtiilin kautta on mahdollista poistaa jäämät ja suorittaa puhdistus maksimaalisella hygieenisyydellä.

Kuva 18

Täydellistä ja perusteellista puhdistusta varten irrota alempi allas.

Kuva 18a - 18b

Imurin huolto

Puhdistus

Puhdistusta varten käytä **YKSINOMAAN** neutraaleihin pesuaineisiin kostutettua liinaa. **ÄLÄ KÄYTÄ PUHDISTUKSESSA TYÖKALUJA TAI VÄLINEITÄ!**

Vältä hankaavien tuotteiden käyttöä.

ÄLÄ KÄYTÄ ALKOHOLIA!

Rasvasuodatin

Kuva 15-16

Pidättelee paiston aikana syntyviä rasvahiukkasia.

Se on puhdistettava kerran kuussa (tai kun suodattimien kyllästymisestä osoitetaan) mietoja pesuaineita käyttämällä, käsin tai astianpesukoneessa, alhaisessa lämpötilassa ja lyhyessä jaksossa.

Kun pesu suoritetaan astianpesukoneessa, metallisen rasvasuodattimen väri voi haalistua, mutta se suodatusominaisuudet eivät muutu millään tavoin.

Aktiivihiilisuodattimet

(Vain suodattava versio)

Kuva 17 – 17a – 17b – 17c

Pidättelee paiston aikana syntyviä epämiellyttäviä hajuja.

Tuote on varustettu neljällä suodatinryhmällä, jotka pidättelevät hajuja aktiivisten hiilien ansiosta. Aktiiviset hiilet on integroitu keraamisen rakenteeseen, joihin epäpuhtaudet pääsevät helposti ja täydellisesti saamalla näin aikaan laajan absorptiopinnan.

Aktiivihiilellä toimivien keraamisten

suodattimien kyllästyminen syntyy vaihtelevan ajan kuluttua, paistotyyppin ja rasvasuodattimien säännöllisen puhdistuksen perusteella. Nämä hajusuodattimet voidaan regeneroida termisesti 2-3 kuukauden välein asettamalla ne esilämmitettyyn uuniin 200 °C 45 minuutiksi. Regeneroinnin ansiosta suodattimet kestävät korkeintaan 5 vuotta.

5.2 Vianetsintä

VIRHEKOODI	KUVAUS	MAHDOLLISET SYYT	KORJAUSTOIMENPIDE
E2	Käyttöpaneeli sammuu liian korkean lämpötilan vuoksi	Sisäisten elektronisten osien lämpötila on liian korkea	Odota, että keittotaso jäähtyy ennen kuin käytät sitä uudelleen
ERR03 + äänimerkki 	Näppäimen jatkuva (pysyvä) kytkeytyminen havaitaan. Käyttöliittymä sammuu 10 sekunnin kuluttua.	Vettä, kattiloita tai keittiövälineitä käyttöliittymän päällä.	Puhdista pinta, ota mahdolliset esineet pois keittotason päältä.
Kaikkia muita virheilmoituksia varten (E ... U ...)	Ota yhteys huoltopalveluun ja ilmoita virhekoodi		

5.3 Huoltopalvelu

Ennen kuin otat yhteyttä huoltoon

1. Kokeile voitko korjata vian itse kohdan "Vianetsintä" ohjeiden mukaan.
2. Sammuta keittotaso ja kytke se uudelleen päälle nähdäksesi onko vika poistunut.

Jos ongelma ei poistu edellä mainittujen tarkistusten jälkeen, ota yhteyttä valtuutettuun tekniseen tukeen.

Suivre de près les instructions reportées dans ce manuel. Nous déclinons toute responsabilité pour tout problème, dommage ou incendie causé à l'appareil suite au non-respect des instructions reportées dans ce manuel. L'appareil est destiné exclusivement à un usage domestique pour la cuisson des aliments et l'aspiration des fumées dérivantes de la cuisson. Aucune autre utilisation n'est autorisée (par ex. chauffage de pièces). Le fabricant décline toute responsabilité pour une utilisation inappropriée ou un mauvais réglage des commandes.

L'appareil peut différer du dessin de cette notice mais les instructions pour l'utilisation, l'entretien et l'installation restent les mêmes.

Il est important de conserver ce manuel pour pouvoir le consulter à tout moment. En cas de vente, de cession ou de déplacement, s'assurer qu'il reste avec le produit.

- ! Lire attentivement les instructions : elles contiennent des informations essentielles sur l'installation, l'utilisation et la sécurité.
- ! Ne pas faire des changements dans les produits électriques
- ! Avant l'installation de l'appareil, vérifier que tous les composants ne sont pas endommagés. Sinon, contactez votre revendeur et ne pas continuer l'installation.
- ! Vérifier l'intégrité du produit avant de procéder avec l'installation. Sinon, contactez votre revendeur et ne pas continuer l'installation.

Remarque : Les pièces portant le symbole "(*)" sont des accessoires optionnels fournis uniquement avec certains modèles ou des pièces non fournies, à acheter.

1. Mises en garde

Attention! Suivre attentivement les instructions ci-dessous :

- L'appareil doit être déconnecté de l'alimentation électrique avant d'effectuer tout travail d'installation.
- L'installation et l'entretien doivent être effectués par un technicien qualifié, conformément aux instructions du fabricant et dans le respect des réglementations locales en matière de sécurité. Ne pas réparer ou remplacer toute pièce de l'appareil si ce n'est pas spécifiquement demandé dans le manuel d'utilisation.

- La mise à la terre de l'appareil est obligatoire.
- Le câble d'alimentation doit être suffisamment long pour permettre la connexion de l'appareil, encastré dans un meuble, au circuit électrique.
- Pour que l'installation soit conforme aux normes de sécurité en vigueur, il faut un interrupteur omnipolaire à norme qui assure la déconnexion complète du circuit électrique dans les conditions de la catégorie de surtension III, conformément aux règles d'installation.
- Ne pas utiliser de prises multiples ou des rallonges.
- Une fois l'installation terminée, les composants électriques ne devront plus être accessibles par l'utilisateur.
- L'équipement et les parties accessibles deviennent très chauds pendant l'utilisation. Faire attention à ne pas toucher les éléments chauffants.
- Faire attention à ce que les enfants ne jouent pas avec l'appareil; garder les enfants à distance et les surveiller, parce que les parties accessibles peuvent devenir très chaudes pendant l'utilisation.
- Pour les porteurs de stimulateurs cardiaques et d'implants actifs, il est important de vérifier, avant d'utiliser le plan à induction, que le stimulateur est compatible avec l'appareil.
- Pendant et après l'utilisation, ne pas toucher les éléments chauffants de l'appareil.

- Éviter le contact avec des chiffons ou autres matériaux inflammables jusqu'à ce que tous les composants de l'appareil ne soient suffisamment refroidis.

- Ne pas placer de matériaux inflammables sur l'appareil ou à proximité.

- Les graisses et les huiles chaudes peuvent facilement prendre feu. Surveiller la cuisson des aliments riches en graisse et huile.

- Si la surface est fêlée, éteindre l'appareil pour éviter la possibilité de décharge électrique.

- L'appareil n'est pas destiné à être mis en fonction au moyen d'une minuterie externe ou bien d'un système de commande à distance séparé.

- La cuisson sans surveillance sur un plan de cuisson avec de l'huile ou de la graisse peut être dangereuse et provoquer un incendie.

- Le processus de cuisson doit être surveillé. Un processus de cuisson à court terme doit être surveillé en permanence.

- Ne JAMAIS essayer d'éteindre les flammes avec de l'eau. Au lieu de cela, éteindre l'appareil et étouffer les flammes, par exemple avec un couvercle ou une couverture anti-feu. Risque d'incendie : ne pas placer d'objets sur les surfaces de cuisson.

- Ne pas utiliser de nettoyeurs à vapeur.

- Ne pas poser des objets métalliques, tels que couteaux, fourchettes, cuillères et couvercles sur la surface du plan de

cuisson car ils pourraient s'échauffer.

- Avant de raccorder le modèle au circuit électrique : contrôler la plaque signalétique (sur le fond de l'appareil) pour s'assurer que la tension et la puissance correspondent à celles du circuit et que la prise de branchement soit adaptée. En cas de doute, appeler un électricien qualifié.

Important :

- Après utilisation, éteindre le plan de cuisson à travers son dispositif de commande et ne pas faire confiance au détecteur de casseroles.

- Éviter de renverser du liquide, donc pour bouillir ou chauffer des liquides, réduire l'apport de chaleur.

- Ne pas laisser les éléments chauffants allumés avec des casseroles et des poêles vides ou sans récipients.

- Lorsque la cuisson est terminée, éteindre la zone relative.

- Lors de la cuisson, ne jamais utiliser des feuilles d'aluminium, ou ne jamais poser directement des produits emballés avec de l'aluminium. L'aluminium fondrait et endommagerait irrémédiablement votre appareil.

- Ne jamais chauffer une boîte ou une boîte de conserve contenant des aliments sans l'ouvrir : elle risque d'exploser!

Cette mise en garde vaut pour tous les autres types de plans de cuisson.

- L'utilisation d'une grande puissance comme la fonction Booster ne convient

pas pour le chauffage de liquides tel que l'huile de friture. Une chaleur excessive pourrait être dangereuse. Dans ces cas, nous recommandons l'utilisation d'une puissance inférieure.

- Les récipients doivent être placés directement sur le plan de cuisson et doivent être centrés. En aucun cas, il ne faut insérer quelque chose entre la casserole et la plaque de cuisson.

- Dans le cas de températures élevées, l'appareil diminue automatiquement le niveau de puissance de la zone de cuisson.

Avant toute opération de nettoyage ou d'entretien, débrancher le produit du circuit en enlevant la fiche ou par l'interrupteur général de la maison.

Utiliser des gants de travail pour toutes les opérations d'installation et d'entretien.

L'appareil peut être utilisé par des enfants de plus de 8 ans et par des personnes aux capacités physiques, sensorielles ou mentales réduites, ou sans l'expérience ni les connaissances nécessaires, à condition d'être surveillés ou d'avoir reçu les instructions relatives à l'utilisation sûre de l'appareil et à la compréhension des risques inhérents.

Les enfants doivent être contrôlés pour s'assurer qu'ils ne jouent pas avec l'appareil.

Le nettoyage et l'entretien ne doivent pas être effectués par des enfants sans surveillance.

La pièce doit être suffisamment aérée quand la hotte de cuisine est utilisée

simultanément aux autres appareils de combustion au gaz ou autres combustibles.

La hotte doit être régulièrement nettoyée à l'intérieur et à l'extérieur (AU MOINS UNE FOIS PAR MOIS), respecter les instructions pour l'entretien.

Le non-respect des normes de nettoyage de la hotte et du filtre (ainsi que son remplacement) comporte des risques d'incendies.

Il est strictement interdit de flamber les aliments.

L'utilisation d'une flamme nue peut endommager les filtres et provoquer des incendies et doit donc être évitée.

La friture doit être surveillée afin d'éviter que l'huile ne prenne feu.

ATTENTION : Quand la plaque de cuisson est en marche les pièces accessibles de la hotte peuvent chauffer.

Attention! Il ne faut jamais brancher l'appareil au circuit électrique tant que l'installation n'a pas été complétée.

En ce qui concerne les mesures techniques et de sécurité à adopter pour l'évacuation des fumées, respecter étroitement les règlements des autorités locales compétentes.

L'air aspiré ne doit pas être convoyé vers le conduit destiné à l'évacuation des fumées des appareils à combustion au gaz ou autres combustibles.

Il ne faut jamais utiliser ni laisser la hotte sans ampoule correctement vissées afin d'éviter tout risque de décharge électrique.


Il ne faut jamais utiliser la hotte sans la grille !

Utiliser seulement les vis de fixation fournies avec le produit ou, si elles ne sont pas comprises, acheter les bonnes vis. Utiliser des vis de la longueur indiquée dans la notice.

Quand la hotte de cuisine et les appareils non alimentés par l'énergie électrique sont en marche simultanément, la pression négative dans la pièce ne doit pas dépasser 4 Pa (4×10^{-5} bar).

Cet appareil est marqué conformément à la Directive Européenne 2012/19/CE relative aux déchets d'équipements électriques et électroniques (DEEE). En assurant que ce produit est éliminé correctement, l'utilisateur contribue à prévenir les conséquences négatives potentielles pour l'environnement et la santé.



Le symbole  sur le produit ou sur la documentation qui l'accompagne indique que ce dernier ne doit pas être traité comme un déchet ménager mais doit être remis à un point de collecte pour le recyclage des équipements électriques et électroniques. L'éliminer conformément aux réglementations locales d'élimination des déchets. Pour plus d'informations sur le traitement, la récupération et le recyclage de ce produit, veuillez contacter les autorités locales, le service de collecte des déchets ménagers ou le magasin où le produit a été acheté.

Appareil conçu, testé et réalisé dans le respect des normes sur la :

- Sécurité : EN/CEI 60335-1; EN/CEI 60335-2-6, EN/CEI 60335-2-31, EN/CEI 62233.
- Performance : EN/CEI 61591; ISO 5167-1; ISO 5167-3; ISO 5168; EN/CEI 60704-1; EN/CEI 60704-2-13; EN/CEI 60704-3; ISO 3741; EN 50564; CEI 62301.
- CEM : EN 55014-1; CISPR 14-1; EN 55014-2; CISPR 14-2; EN/CEI 61000-3-3; EN/CEI 61000-3-12. Conseils pour une utilisation correcte et destinée à réduire l'impact environnemental : Allumer la hotte à la vitesse minimale avant de commencer à cuisiner puis l'éteindre quelques minutes après la fin de la cuisson. Augmenter la vitesse seulement en cas de grosses quantités de fumée et de vapeur en utilisant la fonction booster uniquement pour les cas extrêmes. Pour préserver l'efficacité du système de réduction des odeurs, remplacer le(s) filtre(s) à charbon. Nettoyer le filtre à graisse régulièrement pour en préserver l'efficacité. Pour optimiser l'efficacité et minimiser les bruits, utiliser le diamètre maximal du système de canalisation indiqué dans ce manuel.

2. Utilisation

Utilisation de la plaque de cuisson

Le système de cuisson à induction est basé sur le phénomène physique de l'induction magnétique. La principale caractéristique de ce système est le transfert direct de l'énergie du générateur à la casserole.

Avantages :

Si l'on compare avec les plans de cuisson électriques, votre plan à induction est :

- **Plus sûr** : température inférieure à la surface du verre.
- **Plus rapide** : temps de chauffe des aliments inférieurs.
- **Plus précis** : le plan réagit instantanément à vos commandes
- **Plus efficace** : 90 % de l'énergie absorbée est transformée en chaleur. En outre, une fois enlevée la casserole, la transmission de chaleur est immédiatement interrompue, en évitant une perte de chaleur inutile.

2.1 Récipients pour la cuisson

Utiliser uniquement des casseroles portant le symbole



Important :

pour éviter des dommages permanents à la surface du plan, ne pas utiliser :

- des récipients avec fond non parfaitement plat.
- des récipients en métal avec fond émaillé.
- des récipients avec une surface rugueuse, pour éviter de rayer la surface du plan.
- ne jamais poser des casseroles et des poêles chaudes sur la surface du panneau de contrôle du plan

2.1.1 Récipients préexistants

La cuisson à induction utilise le magnétisme pour générer de la chaleur. Les récipients doivent donc contenir du fer. Vous pouvez vérifier si le matériau de la casserole est magnétique avec un simple aimant. Les casseroles ne sont pas appropriées si elles ne sont pas détectables magnétiquement.

2.1.2 Diamètres fonds de casseroles conseillés

IMPORTANT : si les casseroles ne sont pas de la bonne taille, les zones de cuisson ne s'allument pas

Pour connaître le diamètre minimal de la casserole à utiliser pour chaque zone, consulter la partie illustrée de ce manuel.

2.2 Économie d'énergie

Pour de meilleurs résultats, nous recommandons de :

- Utiliser des ustensiles de cuisson d'un diamètre égal à celui de la zone de cuisson.
- Utiliser uniquement des poêles et des casseroles à fond plat.
- Si possible, laisser le couvercle sur la casserole pendant la cuisson
- Cuire les légumes, pommes de terre, etc. avec une petite quantité d'eau afin de réduire le temps de cuisson.
- Utiliser un autocuiseur, il réduit encore la consommation d'énergie et le temps de cuisson
- Placer la casserole au centre de la zone de cuisson tracée sur le plan.

Utilisation de l'aspirateur Le système d'aspiration peut être utilisé en version aspirante à évacuation externe ou filtrante à recirculation interne.



Version aspirante

Fig. 7

Les vapeurs sont évacuées vers l'extérieur grâce à une série de tuyaux (à acheter séparément) fixée à la bride de raccord déjà fourni.

Le diamètre du tuyau d'évacuation doit être identique à celui au diamètre de l'anneau de connexion :

- en cas de sortie rectangulaire 222 x 89 mm
- en cas de sortie ronde Ø 150 mm (*)

Pour de plus amples, consulter la page relative aux accessoires de la version aspirante dans la partie illustrée de ce manuel.

Fig. 7c

Raccorder le produit aux tuyaux et aux orifices d'évacuation murale du même diamètre que celui de la sortie d'air (bride de raccord).

L'utilisation des tuyaux et des orifices d'évacuation d'un diamètre inférieur diminuera l'efficacité de l'aspiration et augmentera considérablement le bruit.

Nous déclinons, dans ce cas, toute responsabilité.

! La longueur du conduit doit être celle strictement indispensable.

! Utiliser un conduit avec le moins de coudes possible (angle maximal du coude : 90°).

! Éviter de changer drastiquement la section du conduit



Version filtrante

Fig. 8

L'air aspiré sera filtré à travers des filtres à graisse et anti-odeur avant d'être renvoyé dans la pièce.

Le produit est fourni avec tout le nécessaire pour une installation standard avec la sortie de l'air dans la partie frontale de la plinthe du meuble.

L'emballage comprend déjà quatre séries de filtres en céramique aux charbons actifs très performants. Les filtres en céramique sont des filtres innovants modulaires à charbon qui se régénèrent (consulter ce manuel dans la section Entretien - Filtres aux charbons actifs).

Les propriétés chimiques et physiques permettent d'obtenir une efficacité d'absorption des odeurs élevée ainsi qu'une excellente résistance mécanique.

Pour de plus amples, consulter la page relative aux accessoires de la version filtrante dans la partie illustrée de ce manuel.

Fig. 13b

3. Installation

L'installation tant électrique que mécanique, doit être effectuée par du personnel qualifié.

L'appareil électroménager est conçu pour être encastré dans un plan de travail de 2 à 6 cm d'épaisseur pour les installations TOP et 2,5 à 6 cm pour les installations FLUSH.

La distance minimum entre la plaque de cuisson et le mur doit être d'au moins 5 cm de front, 4 cm sur les côtés et 50 cm par rapports aux éléments suspendus.

NB = Les distances suggérées sont fournies à titre

d'exemple : respecter, dans la conception des espaces, les consignes du fabricant de la cuisine.



3.1 Branchement électrique

Fig. 3

- Débrancher l'appareil du circuit électrique
- L'installation doit être effectuée par du personnel qualifié, familiarisé avec les normes applicables en matière d'installation et de sécurité.

-Le fabricant décline toute responsabilité pour les personnes, les animaux ou les biens dans le cas de non-respect des directives fournies dans ce chapitre.

- Le câble d'alimentation doit être suffisamment long pour permettre l'enlèvement du plan de cuisson du plan de travail.

- S'assurer que la tension sur la plaque signalétique sur le fond de l'appareil correspond à celle de la maison où il sera installé.

- Ne pas utiliser de rallonges.

- La mise à la terre de l'appareil est obligatoire.

- Le câble d'alimentation de la terre doit être 2 cm plus long que les autres câbles.

- Dans le cas où l'appareil n'est pas équipé de câble d'alimentation, en utiliser un avec section de conducteur de minimum 2,5 mm² pour une puissance allant jusqu'à 7200 watts,; tandis que pour les puissances supérieures il doit être de 4 mm²).

- À aucun moment, le câble ne doit atteindre une température de 50 °C supérieure à la température ambiante.

- L'appareil est destiné à être connecté de façon permanente au circuit électrique, c'est pourquoi il faut faire un raccordement au circuit fixe via un interrupteur omnipolaire à norme qui assure la déconnexion complète du circuit électrique dans les conditions de la catégorie de surtension III, et qui soit facilement accessible après l'installation.

**Remarque : pour brancher l'appareil électroménager avec la connexion en option monophasée il faut enlever le câble présent et le remplacer un autre type de câble (non fourni) ayant les caractéristiques suivantes :
branchement monophasé : câble H05V2V2-F 3G4**

Fig. 3a

Attention! Avant de rebrancher le circuit à l'alimentation secteur et d'en vérifier le fonctionnement correct, vérifier toujours que le câble d'alimentation soit monté correctement.

Attention! Le remplacement du câble d'interconnexion doit être effectuée par le service d'assistance technique autorisé ou par une personne ayant le même statut.

Remarque : le produit est doté d'une fonction Power Limitor qui permet de programmer un seuil d'absorption maximal kw Le réglage doit être effectué lors du branchement du produit au circuit électrique ou de la reconnexion du circuit électrique (dans les 2 minutes qui suivent). **Pour la séquence de réglage du Power Limitation, consulter ce manuel dans la section Fonctionnement.**

3.2 Montage

Avant de commencer l'installation :

- Après le déballage et vérification que le produit n'a pas été endommagé pendant le transport, en cas de problème, contactez votre revendeur ou le service clientèle, avant de procéder à l'installation.
- Vérifier que le produit acheté est d'une taille appropriée pour la zone d'installation choisie.
- S'assurer qu'à l'intérieur de l'emballage il n'y a pas (à des fins d'expédition) de matériel accessoire (tels que des enveloppes avec des vis, des garanties, etc.), il doit être éventuellement enlevé et conservé.
- Vérifier en plus que près de la zone d'installation il y ait une prise électrique disponible.

Prédisposition du meuble pour l'encastrement :

- Le produit ne peut être installé au-dessus des dispositifs de refroidissement, lave-vaisselle, poêles, fours, lave-linge et sèche-linge.

- Effectuer tous les travaux de découpe du meuble avant d'insérer le plan de cuisson et retirer soigneusement les copeaux ou les résidus de sciure.

IMPORTANT : utiliser un joint de finition monocomposant (**S**), résistant aux températures jusqu'à 250° ;

avant l'installation, nettoyer soigneusement les surfaces à coller en éliminant les substances pouvant compromettre l'adhésion

(ex.: agents anti-adhésifs, conservants, graisses, huiles, poussière, résidus de colle, etc.);

le joint doit être distribué uniformément sur tout le cadre; après la pose, laisser sécher le joint environ 24 heures.

Fig. 1b

ATTENTION ! La non-installation de vis et fixations conformément à ces instructions peut entraîner des risques électriques.

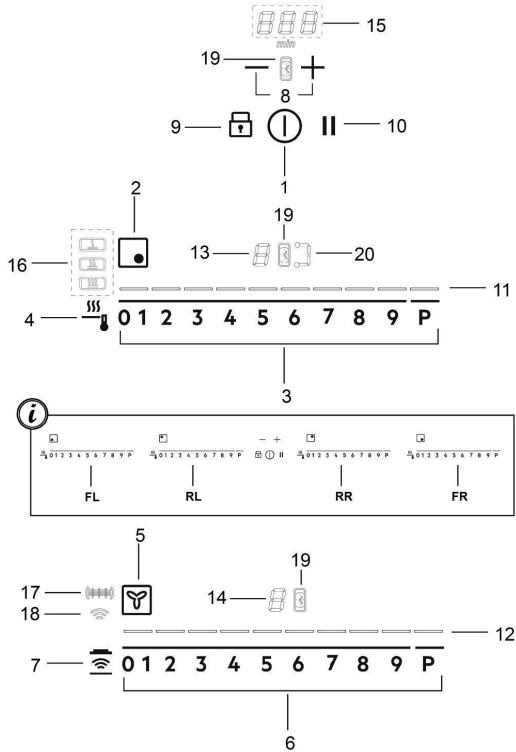
Remarque : nous conseillons, pour installer correctement le produit, recouvrir les tuyaux d'un ruban ayant les caractéristiques suivantes :

- film élastique en PVC souple, avec adhésif à base d'acrylate
- conforme à la norme DIN EN 60454
- retardateur de flamme
- résistance optimale au vieillissement
- résistance aux écarts de températures
- utilisable aux basses températures

4. Fonctionnement

Panneau de contrôle

Remarque : Pour sélectionner les commandes, il suffit d'effleurer (appuyer sur) les symboles qui les représentent.



Touches

Afficheur / LED

1. **ON/OFF** de la plaque de cuisson/aspirateur pour plan de cuisson
2. Voyant de position de la zone de cuisson
3. Sélection des zones de cuisson
Augmenter/Diminuer Power Level
4. Activation Temperature Manager
5. Voyant aspirateur
6. Sélection aspirateur
Augmenter/Diminuer vitesse (puissance) d'aspiration
7. Activation des fonctions automatiques
Réinitialiser saturation filtres
8. Activer Timer
Augmenter/Diminuer temps Timer
9. Key Lock
- 9+10. Child Lock
10. Pause / Recall

11. Afficher Power Level
12. Afficher vitesse (puissance) d'aspiration
13. Affichage zone de cuisson
14. Affichage aspirateur
15. Affichage Timer
16. Affichage Temperature Manager
17. Voyant assistance filtres
18. Voyant fonction d'aspiration automatique
19. Voyant Timer activé
20. Voyant Bridge activé

UTILISATION DE LA PLAQUE DE CUISSON


À savoir avant de commencer :

Toutes les fonctions de ce plan de cuisson sont conçues dans le but de se conformer aux normes de sécurité les plus strictes.

Pour cette raison :

• **Certaines fonctions ne s'activent pas, ou s'éteignent automatiquement en l'absence de casseroles sur les foyers, ou quand elles sont mal placées.**

• Dans d'autres cas, les fonctions activées se désactivent automatiquement après quelques secondes lorsque la fonction sélectionnée nécessite un autre réglage qui n'est pas donné (par exemple: "**Allumer le plan de cuisson**" sans "**Sélectionner la zone de cuisson**" et la "**Température de fonctionnement**", ou bien la "**Fonction Lock**" ou celle "**Timer**").

 **Attention!** Dans le cas (par exemple) d'utilisation prolongée, la coupure de la zone de cuisson pourrait ne pas être immédiate, car en phase de refroidissement le symbole "**H**" apparaît sur l'écran pour indiquer ce stade de fonctionnement.

Attendre que l'affichage se coupe avant de s'approcher de la zone de cuisson.

Affichage zone de cuisson

dans les affichages relatifs aux zones de cuisson, apparaît :

Zone de cuisson allumée	D
Power Level	1...9-P
Residual Heat Indicator	H
Pot Detector	U
Fonction Temperature Manager activée	U
Fonction Child Lock activée	L
Fonction Pause	
Fonction Automatic Heat UP	A

Caractéristiques de la plaque

● **Safe Activation**

Le produit s'active uniquement en présence de casseroles sur les zones de cuisson : le processus de chauffe ne se déclenche pas sans casseroles et s'arrête en les enlevant.

● **Pot Detector**

L'appareil détecte automatiquement la présence de casseroles sur les zones de cuisson.

● **Safety Shut Down**

Pour des raisons de sécurité, chaque zone est dotée d'un temps de fonctionnement maximal qui dépend du niveau de puissance programmé.


● **Residual Heat Indicator**

À l'extinction d'une ou plusieurs zones de cuisson, la présence de chaleur résiduelle est signalée par le symbole de la zone qui s'éclaire sur l'afficheur "**H**".

Fonctionnement

Remarque : Pour activer une quelconque fonction, il faut d'abord activer la zone souhaitée.

● **Allumage**

Appuyer sur (effleurer)  **ON/OFF de la plaque de cuisson/ aspirateur**

Le voyant s'éclaire pour signaler que la plaque de cuisson/aspirateur est prêt(e) à l'emploi.

Appuyer de nouveau pour éteindre.

Remarque : Cette fonction a la priorité sur toutes les autres.

● **Sélection des zones de cuisson**

Effleurer (appuyer sur) la **Barre de sélection (3)** correspondant à la zone de cuisson souhaitée.

● **9 Power Level**

La plaque est équipée de 9 niveaux de puissance :

Effleurer et glisser le doigt le long de la **Barre de sélection (3)**:

vers la droite pour augmenter le niveau de puissance;

vers la gauche pour diminuer le niveau de puissance;

● **Power Booster**

Le produit est doté d'un niveau de puissance supplémentaire (au-delà du niveau **S**), qui reste activé 10 minutes, passé ce délai la puissance revient au niveau précédemment utilisé.

Effleurer et glisser le doigt le long de la **Barre de sélection**

(3) (au-delà du niveau **S**) et activer Power Booster

Le niveau Power Booster est signalé sur l'afficheur de la zone sélectionnée avec le symbole "**P**".

● Bridge Zones

Les zones de cuisson grâce à la fonction Bridge sont en mesure de fonctionner en mode combiné créant ainsi une seule zone au même niveau de puissance. Cette fonction permet de cuire de manière homogène les grands plats / casseroles.

Il est possible d'utiliser (en mode combiné) la zone de cuisson frontale "Master" avec la zone correspondante derrière "Secondaire"

(pour vérifier les zones concernées par cette fonction, consulter la partie illustrée de ce manuel).

Pour activer la Fonction Bridge:

- sélectionner simultanément les deux zones de cuisson à utiliser

- le voyant Bridge (20) de la zone de cuisson "Secondaire"

s'éclaire 


- la Barre de sélection (3) de la zone de cuisson "Master" permet de programmer le niveau (puissance) de fonctionnement







- pour désactiver la Fonction Bridge il suffit de répéter la même procédure d'activation

● Temperature Manager


La fonction Temperature Manager permet de régler la température prédéfinie, la plus appropriée, pour obtenir le résultat souhaité (consulter le tableau Temperature Manager à la fin de ce chapitre).

Sélectionner la zone de cuisson souhaitée.

• Appuyer une ou plusieurs fois sur  (4) pour sélectionner le niveau disponible le plus approprié :

	Melting*	
	Warming*	
	Simmer*	
* Consulter le tableau Temperature Manager à la fin de ce chapitre.		


• Appuyer encore une fois pour éteindre.

L'afficheur de la zone de cuisson actionnée en mode Temperature Manager indique le symbole 

● Key Lock

La fonction Key Lock permet de bloquer les configurations de la plaque pour empêcher les manipulations accidentelles tout en laissant les fonctions déjà configurées actives.

Activation :

- appuyer sur  (9)
- la LED située au dessus de la touche s'éclaire pour signaler l'activation

Répéter l'opération pour désactiver.



● Child Lock

La fonction Child Lock permet d'éviter que les enfants ne puissent accidentellement allumer les zones de cuisson et la zone aspirante car elle bloque toutes les fonctions.

La fonction Child Lock peut être activée seulement quand l'appareil est éclairé et les zones de cuisson (et la zone aspirante) sont éteintes.

Activation :

- enlever les casseroles éventuellement présentes sur la plaque de cuisson
- appuyer et maintenir enfoncées simultanément les

touches  (9) et  (10), un signal sonore indique que la fonction est activée et "L" apparaît sur les afficheurs (13) et (14).



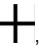

Répéter l'opération pour désactiver.

● Timer

La fonction Timer est un compte à rebours qui peut être programmé (même simultanément) sur chaque zone de cuisson (et sur la zone aspirante).

À la fin du temps programmé la zone de cuisson (ou la zone aspirante) s'éteint automatiquement et l'utilisateur est averti par un signal sonore.

Activation/Réglage de la fonction Timer pour la plaque de cuisson


- Sélectionner la zone de cuisson (puissance 1 0).
- Appuyer sur   (8) pour accéder à la fonction Timer
- Régler la durée du Timer:
 - appuyer sur le sélecteur , pour augmenter le temps d'extinction automatique
 - appuyer sur le sélecteur , pour diminuer le temps d'extinction automatique

Si vous le souhaitez, répéter l'opération pour les autres zones de cuisson.


Remarque : Chaque zone peut avoir un Timer différent, sur l'afficheur(15) apparaîtra (pendant 10 secondes), le compte à rebours de la dernière zone de cuisson sélectionnée suivi du compte à rebours le moins long.

Dès que le timer a terminé le compte à rebours, un signal sonore se déclenche (pendant 2 minutes ou s'arrête en appuyant sur une quelconque touche, alors que l'afficheur (15) clignote, avec le symbole "0.00".

Remarque : à côté de la zone de cuisson, lorsque le Timer

est actionné, apparaît le symbole  (19)

Pour couper le Timer :

- Sélectionner la zone de cuisson.
- programmer la valeur du timer à "0", avec 

Remarque : la fonction reste active si l'on n'appuie pas, entre-temps, sur d'autres touches.

● **Egg Timer**

La fonction Egg Timer est un compte à rebours séparé des zones de cuisson (et de la zone aspirante). La fonction Egg

Timer s'active en appuyant sur  (8).


Remarque : pour régler la fonction **Egg Timer** suivre la même procédure de la fonction **Timer**.

Dès que le timer a terminé le compte à rebours, un signal sonore se déclenche (pendant 2 minutes ou s'arrête en appuyant sur une quelconque touche, alors que l'afficheur (15) clignote, avec le symbole "0.00".

● **Pause**


La fonction Pause permet d'interrompre n'importe quelle fonction active sur a plaque en ramenant à zéro la puissance de cuisson.

Activation :

- appuyer sur  (10)
- le symbole "P" apparaît sur l'afficheur(13).

Pour désactiver la fonction :

Remarque : Cette opération permet de rétablir les conditions de la plaque avant la pause

- appuyer sur  (10)
- vous avez 10 secondes pour glisser le doigt vers la droite le long de la **Barre de sélection (3)**, correspondant à la **zone de cuisson 2** (FIG. 19);



Remarque : si l'opération n'est pas effectuée dans le délai indiqué la fonction Pause reste active.

Remarque : si après 10 minutes, la **Fonction Pause** n'est pas désactivée, la plaque s'éteint automatiquement.

● **Recall**

La fonction Recall permet de récupérer toutes les programmations effectuées sur la plaque, en cas d'arrêt accidentel.

Activation :

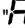
- **rallumer la plaque**  dans les 6 secondes qui suivent l'arrêt
- **appuyer sur**  sous les 6 secondes successivement

● **Automatic Heat UP**

La fonction Automatic Heat UP permet d'amener plus rapidement à régime la puissance programmée; cette fonction permet d'avoir une cuisson plus rapide mais sans risquer de brûler les aliments car la température ne dépasse pas celle du niveau programmé.

Cette fonction est disponible pour les niveaux de puissance 1 -8 .


Activation :

- appuyer longuement sur la **Barre de sélection (3)**, la puissance souhaitée
- le symbole  apparaît sur l'afficheur (13).



● **Power Limitation**

La fonction Power Limitation permet de programmer le fonctionnement du produit en limitant l'absorption à un seuil maximal.

Remarque : le réglage doit être effectué à plaque éteinte,

sans appuyer sur la touche  lors du branchement du produit au circuit électrique ou de la reconnexion du circuit électrique (dans les 2 minutes qui suivent).

Pour régler la fonction Power Limitation :

- appuyer et maintenir la pression des touches  , jusqu'à l'émission d'un signal sonore de courte durée

- faire défiler simultanément les sliders **FL et RL** 0 1 2 3 4 5 6 7 8 9 P, de gauche à droite, et maintenir la pression au niveau des lettres **P**, jusqu'à l'émission d'un signal sonore de courte durée

l'écran Timer (15) affiche les symboles "CF6" pour signaler qu'il est possible d'effectuer le réglage

l'afficheur de la **zone FL** visualise le réglage en cours**

0 = 7,4 KW

1 = 4,5 KW

** le réglage est programmé par défaut à 7,4 KW

- pour changer les paramètres du Power Limitation, faire défiler le slider **FL** 0 1 2 3 4 5 6 7 8 9 P

- de gauche à droite, pour augmenter les Kw

- de droite à gauche, pour diminuer les Kw

- pour sauvegarder la sélection, appuyer sur les touches




, pendant 1 seconde ;

Un signal sonore pour confirmer le réglage et sortir de la fonction.

UTILISATION DE L'ASPIRATEUR

● Allumage

Appuyer sur (effleurer)  **ON/OFF de la plaque de cuisson/ aspirateur**

Le voyant s'éclaire pour signaler que la plaque de cuisson/aspirateur est prêt(e) à l'emploi.

Appuyer de nouveau pour éteindre.

Remarque : Cette fonction a la priorité sur toutes les autres.

● Mise en marche de l'aspirateur :

Effleurer (appuyer sur) la **Barre de sélection (6)** pour activer l'aspirateur

● Vitesse (puissance) d'aspiration :



Effleurer et glisser le doigt le long de la **Barre de sélection (6)**:



vers la droite pour augmenter la vitesse (puissance) d'aspiration (0-10);

vers la gauche pour diminuer la vitesse (puissance) d'aspiration (10-0);

● Timer

Activation/Réglage de la fonction Timer pour l'aspirateur

- Sélectionner l'aspirateur (vitesse \neq 0).
- Appuyer sur   **(8)** pour accéder à la fonction Timer (peu importe la vitesse)
- Régler la durée du Timer:

appuyer sur le sélecteur , pour augmenter le temps d'extinction automatique
appuyer sur le sélecteur , pour diminuer le temps d'extinction automatique



de l'afficheur **(15)** le compte à rebours apparaît,

Remarque : à côté de l'afficheur de l'aspirateur, lorsque le

Timer est actionné, apparaît le symbole  **(19)**

Dès que le timer a terminé le compte à rebours, un signal sonore se déclenche (pendant 2 minutes ou s'arrête en appuyant sur une quelconque touche, alors que l'afficheur **(15)** clignote, avec le symbole "0.00".

Pour couper le Timer :

- Sélectionner la zone de cuisson.
- programmer la valeur du timer à "f", avec , avec 

Remarque : la fonction reste active si l'on n'appuie pas, entre-temps, sur d'autres touches.


● Voyant de saturation des filtres

La hotte indique lorsqu'il faut changer les filtres :

Filtres à graisse



la LED  **(17)** s'éclaire

Filtre anti-odeurs au charbon actif

la LED  **(17)** clignote

● Réinitialiser saturation filtres



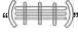
Après avoir effectué l'entretien des filtres (graisses et/ou

charbon actif), appuyer longuement sur la touche  **(7)** ; la LED  s'éteint, et relance le comptage de l'indicateur.

● Activation du voyant de la saturation des filtres anti-odeurs aux charbons actifs

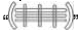
Ce voyant est généralement désactivé.

Pour l'activer, procéder comme suit :

- éclairer la plaque aspirante avec  ;
- avec moteur d'aspiration et zones de cuisson éteintes, appuyer et maintenir la pression de la touche  **(7)** ;
-  s'éclaire et s'éteint pour signaler l'activation.

● Désactivation du voyant de la saturation des filtres anti-odeurs aux charbons actifs

répéter la susdite opération pour l'activation

 clignote puis s'éteint pour signaler la désactivation.



● **Fonctionnement automatique (Hob2Hood)**

La hotte s'éclaire alors à la vitesse la plus indiquée en adaptant la capacité d'aspiration aux puissances des zones de cuisson.

Lorsque l'on éteint la plaque de cuisson, la hotte adapte la vitesse d'aspiration en la diminuant progressivement de manière à éliminer les dernières vapeurs et odeurs.

Pour activer cette fonction :






Appuyer brièvement sur  (7) , la LED  (18) s'éclaire pour signaler que la hotte fonctionne sous ce mode.

La plaque aspirante est prédisposée pour être utilisée avec un KIT détecteur Windows (non fourni par le producteur)

En installant le KIT détecteur Windows (uniquement en cas d'utilisation de la plaque en mode ASPIRANT), le système d'aspiration de l'air cessera de fonctionner toutes les fois qu'il détectera que la fenêtre (sur laquelle est installé le KIT) est fermée.

Il est recommandé d'acheter le KIT FDS – 100 Elektrotechnik Schabus, disponible auprès des centres autorisés Elektrotechnik Schabus ou directement à travers le site internet www.elektrotechnik-schabus.de.

- **Le branchement électrique du KIT à la hotte doit être effectué par un technicien qualifié et spécialisé.**
- **Le producteur de la plaque aspirante décline toute responsabilité pour d'éventuels inconvénients, dommages, incendies provoqués par des défauts et/ou problèmes de dysfonctionnement et/ou installation erronée du KIT.**

Le niveau de puissance (par défaut)		Description
	Chauffer doucement	Localiser un niveau approprié de dissoudre lentement produits délicats sans compromettre les caractéristiques sensorielles de puissance (chocolat, le beurre, etc.).
	Réchauffer	Choisir un niveau de puissance appropriée pour permettre de maintenir la température de vos aliments en douceur, sans atteindre des températures d'ébullition.
	Saisir	Localiser un niveau approprié pour mijoter des plats pendant des périodes prolongées. Convient pour la cuisson des sauces tomates, sauces à la viande, les soupes, en maintenant un niveau de cuisson contrôlé (idéal pour la cuisson au bain-marie). Éviter tout déversement désagréable de la nourriture ou des brûlures possibles sur le fond, typiques de ces préparations. Utiliser cette fonction après avoir porté à ébullition l'aliment.

4.1 Tableaux de puissance

Niveau de puissance		Typologie de cuisson	Niveau d'utilisation (l'indication doit être associée à l'expérience et aux habitudes de cuisson)
Puissance maximale	Boost	Réchauffer rapidement	Idéal pour élever très rapidement la température des aliments jusqu'à ébullition rapide en cas d'eau ou pour chauffer rapidement les liquides de cuisson
	8-9	Friggere - bollire	Idéal pour le brunissement, commencer à cuire, frire des produits congelés, faire bouillir rapidement
Puissance élevée	7-8	Rôtir - brunir - bouillir - griller	Idéal pour rôtir, maintenir l'ébullition, cuire et griller (courte durée, 5-10 minutes)
	6-7	Rôtir - cuire - cuire à l'étouffée - brunir - griller	Idéal pour brunir, maintenir l'ébullition légère, cuire et griller (pendant une durée moyenne, 10-20 minutes), préchauffer les accessoires
Puissance moyenne	4-5	Cuire - cuire à l'étouffée - brunir - griller	Idéal pour cuire à l'étouffée, maintenir une ébullition délicate, cuire (pour une longue durée). Repasser les pâtes
	3-4	Cuire - frémir - épaissir – rendre crémeux	Idéal pour les cuissons prolongées (riz, sauces, rôtis, poisson), en présence de liquides d'accompagnement (par exemple eau, vin, bouillon, lait), mélanger les pâtes
	2-3	Cuire - frémir - épaissir – rendre crémeux	Idéal pour les cuissons prolongées (volumes de moins d'un litre: riz, sauces, rôtis, poisson) en présence de liquides d'accompagnement (exemple eau, vin, bouillon, lait)
Faible Puissance	1-2	Faire fondre - dégeler - garder au chaud – rendre crémeux	Idéal pour ramollir le beurre, faire fondre doucement le chocolat, décongeler des produits de petites dimensions
	1	Faire fondre - dégeler - garder au chaud – rendre crémeux	Idéal pour garder au chaud de petites portions d'aliments fraîchement cuisinés ou garder à température les plats et faire épaissir le risotto
OFF	Puissance zéro	Surface d'appui	Plan de cuisson en position stand-by ou coupé (présence possible de chaleur résiduelle de la fin de la cuisson, signalée par H-L-O)

4.2 Tableaux de cuisson

Catégorie d'aliments	Plats ou type de cuisson	Niveau de puissance et déroulement cuisson			
		Première étape	Puissances	Deuxième étape	Puissances
Pâtes, riz	Pâtes fraîches	Chauffage de l'eau	Booster-9	Cuisson des pâtes et maintien ébullition	7-8
	Pâtes fraîches	Chauffage de l'eau	Booster-9	Cuisson des pâtes et maintien ébullition	7-8
	Riz bouilli	Chauffage de l'eau	Booster-9	Cuisson des pâtes et maintien ébullition	5-6
	Risotto	Saisir et griller	7-8	Cuisson	4-5
Légumes, légumineuses	Blanchis	Chauffage de l'eau	Booster-9	Ébullition	6-7
	Frits	Chauffage de l'huile	9	Friture	8-9
	Sautés	Chauffage de l'accessoire	7-8	Cuisson	6-7
	Mijotés	Chauffage de l'accessoire	7-8	Cuisson	3-4
	Saisis	Chauffage de l'accessoire	7-8	Dorure	7-8
Viandes	Rôti	Brunissement viande avec de l'huile (si avec beurre, puissance 6)	7-8	Cuisson	3-4
	Grillées	Préchauffage de la poêle	7-8	Griller sur les deux côtés	7-8
	Brunissement	Brunissement avec de l'huile (si avec beurre, puissance 6)	7-8	Cuisson	4-5
	En sauce/braisées	Brunissement avec de l'huile (si avec beurre, puissance 6)	7-8	Cuisson	3-4
Poisson	Grillés	Préchauffage de la poêle	7-8	Cuisson	7-8
	En sauce/braisés	Brunissement avec de l'huile (si avec beurre, puissance 6)	7-8	Cuisson	3-4
	Frits	Chauffage de l'huile ou de la matière grasse	8-9	Friture	7-8
Œuf	Omelettes	Chauffage de la poêle avec du beurre ou de la matière grasse	6	Cuisson	6-7
	Omelette	Chauffage de la poêle avec du beurre ou de la matière grasse	6	Cuisson	5-6
	A la coque/durs	Chauffage de l'eau	Booster-9	Cuisson	5-6
	Pancake	Chauffage de la poêle avec du beurre	6	Cuisson	6-7
Sauces	Tomate	Brunissement avec de l'huile (si avec du beurre, puissance 6)	6-7	Cuisson	3-4
	Bolognaise	Brunissement avec de l'huile (si avec du beurre, puissance 6)	6-7	Cuisson	3-4
	Béchamel	Préparation de la base (faire fondre beurre et farine)	5-6	Porter à frémissement	3-4
Gâteaux, crèmes	Crème pâtissière	Porter le lait à ébullition	4-5	Maintenir le frémissement	4-5
	Puddings	Porter le lait à ébullition	4-5	Maintenir le frémissement	2-3
	Riz au lait	Réchauffer le lait	5-6	Maintenir le frémissement	2-3

5. Entretien

Entretien de la plaque de cuisson

Attention! Avant toute opération de nettoyage ou d'entretien, s'assurer que les zones de cuisson sont éteintes et le voyant de chaleur a disparu.

5.1 Nettoyage

La plaque de cuisson doit être nettoyée après chaque utilisation.

Important :

Ne pas utiliser d'éponges abrasives, de tampons à récurer. Leur utilisation, au fil du temps, pourrait abîmer le verre.

Ne pas utiliser des produits chimiques irritants, tels que les sprays pour fours ou détachants.

Après chaque utilisation, laisser refroidir le plan et le nettoyer pour enlever les dépôts et les taches causées par des résidus alimentaires.

Le sucre ou les aliments à haute teneur en sucre endommagent le plan de cuisson et doivent être retirés immédiatement.

Le sel, le sucre et le sable peuvent rayer la surface du verre. Utiliser un chiffon doux, des serviettes en papier ou des produits spécifiques pour le nettoyage du plan (suivre les instructions du fabricant).

NE JAMAIS UTILISER DE NETTOYEURS A VAPEUR !!!

Important :

En cas de gros débordements accidentels de liquides des casseroles il est possible d'intervenir à travers la vanne de décharge, placée sur la partie inférieure du produit de manière à pouvoir éliminer tout résidu et nettoyer en toute sécurité.

Fig. 18

Pour un nettoyage plus complet et soigné, enlever complètement le bac inférieur.

Fig. 18a - 18b

Entretien de l'aspirateur

Nettoyage

Pour le nettoyage, utiliser **EXCLUSIVEMENT** un chiffon imbibé de détergent liquide neutre. **NE PAS UTILISER D'USTENSILES OU OUTILS DE NETTOYAGE !**

Éviter l'usage de produits à base d'agents abrasifs.

NE PAS UTILISER D'ALCOOL !

Filtre anti-graisse

Fig. 15-16

Il retient les particules de graisse dérivantes de la cuisson.

Il doit être nettoyé une fois par mois (ou quand l'indicateur de saturation des filtres l'indique), avec des détergents non agressifs, à la main ou au lave-vaisselle à basse température et cycle rapide.

Avec le lavage au lave-vaisselle, le filtre anti-graisse métallique peut décolorer mais ses caractéristiques de filtrage restent les mêmes.

Filtres aux charbons actifs

(Seulement pour la version filtrante)


Fig. 17 – 17a – 17b – 17c

Il retient les mauvaises odeurs de la cuisson.

Le produit est doté de quatre séries de filtres qui retiennent les odeurs grâce aux charbons actifs. Les charbons actifs sont intégrés dans une structure céramique qui les rend facilement et complètement accessibles par les impuretés créant ainsi une surface d'absorption élevée.

La saturation des **filtres céramique aux charbons actifs** se produit après une utilisation plus ou moins intense en fonction du type de cuisine et de la fréquence de nettoyage du filtre à graisse. Ces filtres anti-odeur peuvent être soumis à une régénération thermique tous les 2 à 3 mois dans un four préchauffé à 200 °C pendant 45 minutes. La régénération permet de bénéficier d'une durée maximale des filtres de 5 ans.

5.2 Recherche des pannes

CODE D'ERREUR	DESCRIPTION	CAUSES POSSIBLES	SUPPRESSION DE L'ERREUR
E2	La zone commandes s'éteint à cause d'une trop haute température	La température interne de l'électronique est trop élevée	Attendre que la plaque refroidisse avant de l'utiliser à nouveau
ERR03 + Signal acoustique 	Une activation continue (permanente) de la touche est détectée. L'interface s'éteint au bout de 10 secondes.	Eau, casseroles ou ustensiles de cuisine, posés sur l'interface utilisateur.	Nettoyer la surface, retirer les objets éventuellement présents le plan.
Pour tous les autres signaux d'erreur (E... U...)	Appeler le service assistance technique et communiquer le code d'erreur		

5.3 Service assistance

Avant de contacter le Service Clientèle

1. Vérifier que vous ne pouvez pas résoudre le problème vous-même sur la base des points décrits dans "Recherche des pannes".
2. Éteindre et rallumer l'appareil pour s'assurer que la panne est résolue.

Si le problème persiste après les susdites vérifications, contacter le Service Clientèle le plus proche.

Attenersi strettamente alle istruzioni riportate in questo manuale. Si declina ogni responsabilità per eventuali inconvenienti, danni o incendi provocati all'apparecchio derivati dall'inosservanza delle istruzioni riportate in questo manuale. L'apparecchio è destinato esclusivamente ad uso domestico per la cottura di alimenti e aspirazione dei fumi derivanti dalla cottura stessa. Non sono consentiti altri usi (es. riscaldare ambienti.). Il fabbricante declina ogni responsabilità per usi non appropriati o per errate impostazioni dei comandi.

Il prodotto potrebbe avere estetiche differenti rispetto a quanto illustrato nei disegni di questo libretto, comunque le istruzioni per l'uso, la manutenzione e l'installazione rimangono le stesse. È importante conservare questo manuale per poterlo consultare in ogni momento. In caso di vendita, di cessione o di trasloco, assicurarsi che resti insieme al prodotto.

! Leggere attentamente le istruzioni: ci sono importanti informazioni sull'installazione, sull'uso e sulla sicurezza.

! Non effettuare variazioni elettriche sul prodotto

! Prima di procedere nell'installazione dell'apparecchio verificare che tutti i componenti non siano danneggiati. In caso contrario contattare il rivenditore e non proseguire con l'installazione.

! Verificare l'integrità del prodotto prima di procedere con l'installazione. In caso contrario contattare il rivenditore e non proseguire con l'installazione.

Nota: I particolari contrassegnati con il simbolo "(*)" sono accessori opzionali forniti solo in alcuni modelli o particolari non forniti, da acquistare.



1. Avvertenze

Attenzione! Attenersi scrupolosamente alle seguenti istruzioni:

-L'apparecchio deve essere scollegato dalla rete elettrica prima di effettuare qualunque intervento d'installazione.

-L'installazione o la manutenzione deve essere eseguita da un tecnico specializzato, in conformità alle istruzioni del fabbricante e nel rispetto delle norme locali vigenti in materia di sicurezza. Non riparare o sostituire qualsiasi parte dell'apparecchio se non specificamente richiesto nel manuale d'uso.

-La messa a terra dell'apparecchio è

obbligatoria.

-Il cavo di alimentazione deve essere sufficientemente lungo da permettere il collegamento dell'apparecchio, incassato nel mobile, alla rete elettrica.

-Affinché l'installazione sia conforme alle norme di sicurezza vigenti, occorre un interruttore omnipolare a norme che assicuri la disconnessione completa della rete nelle condizioni della categoria di sovratensione III, conformemente alle regole di installazione.

-Non utilizzare prese multiple o prolunghe.

-Una volta terminata l'installazione, i componenti elettrici non dovranno più essere accessibili dall'utilizzatore.

- L'apparecchiatura e le sue parti accessibili diventano calde durante l'utilizzo. Fare attenzione a non toccare gli elementi riscaldanti.

- Fare attenzione che i bambini non giochino con l'apparecchio; mantenere i bambini a distanza e sorvegliarli, in quanto le parti accessibili possono diventare molto calde durante l'uso.

- Per i portatori di stimolatori cardiaci ed impianti attivi è importante verificare, prima dell'uso del piano ad induzione, che il proprio stimolatore sia compatibile con l'apparecchio.

-.Durante e dopo l'uso non toccare gli elementi riscaldanti dell'apparecchio.

-Evitare il contatto con panni o altro materiale infiammabile fino a che tutti i

componenti dell'apparecchio non si siano sufficientemente raffreddati.

-Non riporre materiale infiammabile sull'apparecchio o nelle sue vicinanze.

-I grassi e gli oli surriscaldati prendono facilmente fuoco. Sorvegliare la cottura di alimenti ricchi di grasso e di olio.

-Se la superficie è incrinata, spegnere l'apparecchio per evitare la possibilità di scossa elettrica.

-L'apparecchio non è destinato ad essere messo in funzione per mezzo di un temporizzatore esterno oppure di un sistema di comando a distanza separato.

-La cottura non sorvegliata su un piano cottura con olio o grasso può essere pericolosa e generare incendi.

- Il processo di cottura deve essere sorvegliato. Un processo di cottura a breve termine deve essere sorvegliato continuamente.

- Non tentare MAI di spegnere le fiamme con acqua. Al contrario, spegnere l'apparecchio e soffocare le fiamme, ad esempio con un coperchio o una coperta antincendio. Pericolo di incendio: non poggiare oggetti sulle superfici di cottura.

-Non usare pulitrici a vapore.

-Non appoggiare oggetti metallici come coltelli, forchette, cucchiari e coperchi sulla superficie del piano di cottura perché potrebbero surriscaldarsi.

- Prima di allacciare il modello alla rete elettrica: controllare la targa dati (posta nella parte inferiore dell'apparecchio) per accertarsi che la tensione e potenza

siano corrispondenti a quella della rete e la presa di collegamento sia idonea. In caso di dubbio interpellare un elettricista qualificato.

Importante:

- Dopo l'uso, spegnere il piano di cottura tramite il suo dispositivo di comando e non fare affidamento sul rivelatore di pentole.

- Evitare le fuoriuscite di liquido, pertanto per bollire o riscaldare liquidi, ridurre l'alimentazione di calore.

- Non lasciare gli elementi riscaldanti accesi con pentole e padelle vuote oppure senza recipienti.

- Una volta terminato di cucinare, spegnere la relativa zona.

- Per la cottura non utilizzate mai dei fogli di carta d'alluminio, oppure non posate mai direttamente dei prodotti imballati con alluminio. L'alluminio fonderebbe e danneggerebbe irrimediabilmente il vostro apparecchio.

- Non riscaldare mai una scatoletta o un barattolo di latta contenente alimenti senza prima averlo aperto: potrebbe esplodere!

Questa avvertenza si applica a tutti gli altri tipi di piani cottura.

- L'utilizzo di una potenza elevata come la funzione Booster non è adatta per il riscaldamento di alcuni liquidi come ad esempio l'olio per friggere. L'eccessivo calore potrebbe essere pericoloso. In questi casi si consiglia l'utilizzo di una potenza meno elevata.

- I recipienti devono essere posti direttamente sul piano cottura e devono essere centrati. In nessun caso inserire altri oggetti tra la pentola e il piano di cottura.

- In situazione di elevate temperature l'apparecchio diminuisce automaticamente il livello di potenza delle zone di cottura.

Prima di qualsiasi operazione di pulizia o manutenzione, disinserire il prodotto dalla rete elettrica togliendo la spina o staccando l'interruttore generale dell'abitazione.

Per tutte le operazioni di installazione e manutenzione utilizzare guanti da lavoro. L'apparecchio può essere utilizzato da bambini di età non inferiore a 8 anni e da persone con ridotte capacità fisiche, sensoriali o mentali, o prive di esperienza o della necessaria conoscenza, purché sotto sorveglianza oppure dopo che le stesse abbiano ricevuto istruzioni relative all'uso sicuro dell'apparecchio e alla comprensione dei pericoli ad esso inerenti.

I bambini devono essere controllati affinché non giochino con l'apparecchio. La pulizia e la manutenzione non deve essere effettuata da bambini senza sorveglianza.

Il locale deve disporre di sufficiente ventilazione, quando la cappa da cucina viene utilizzata contemporaneamente ad altri apparecchi a combustione di gas o altri combustibili.

La cappa va frequentemente pulita sia internamente che esternamente (ALMENO UNA VOLTA AL MESE), rispettare comunque quanto espressamente indicato nelle istruzioni di manutenzione.

L'inosservanza delle norme di pulizia della cappa e della sostituzione e pulizia dei filtri comporta rischi di incendi.

E' severamente vietato fare cibi alla fiamma.

L'impiego di fiamma libera è dannoso ai filtri e può dar luogo ad incendi, pertanto deve essere evitato in ogni caso.

La frittura deve essere fatta sotto controllo onde evitare che l'olio surriscaldato prenda fuoco.

ATTENZIONE: Quando il piano di cottura è in funzione le parti accessibili della cappa possono diventare calde.

Attenzione! Non collegare l'apparecchio alla rete elettrica finché l'installazione non è totalmente completata.

Per quanto riguarda le misure tecniche e di sicurezza da adottare per lo scarico dei fumi attenersi strettamente a quanto previsto dai regolamenti delle autorità locali competenti.

L'aria aspirata non deve essere convogliata in un condotto usato per lo scarico dei fumi prodotti da apparecchi a combustione di gas o di altri combustibili.

Non utilizzare o lasciare la cappa priva di lampade correttamente montate per possibile rischio di scossa elettrica.


Mai utilizzare la cappa senza griglia correttamente montata!

Utilizzare solo le viti di fissaggio in dotazione con il prodotto per l'installazione o, se non in dotazione, acquistare il tipo di viti corretto. Utilizzare la lunghezza corretta per le viti che sono identificati nella Guida all'installazione.

Quando la cappa da cucina e gli apparecchi alimentati con un'energia che non sia elettricità sono in funzione contemporaneamente, la pressione negativa nella stanza non deve superare 4 Pa (4×10^{-5} bar).

Questo apparecchio è contrassegnato in conformità alla Direttiva Europea 2012/19/EC, Waste Electrical and Electronic Equipment (WEEE). Assicurandosi che questo prodotto sia smaltito in modo corretto, l'utente contribuisce a prevenire le potenziali conseguenze negative per l'ambiente e la salute.



Il simbolo  sul prodotto o sulla documentazione di accompagnamento indica che questo prodotto non deve essere trattato come rifiuto domestico ma deve essere consegnato presso l'adeguato punto di raccolta per il riciclaggio di apparecchiature elettriche ed elettroniche. Disfarsene seguendo le normative locali per lo smaltimento dei rifiuti. Per ulteriori informazioni sul trattamento, recupero e riciclaggio di questo prodotto, contattare l'adeguato ufficio locale, il servizio di raccolta dei rifiuti domestici o il negozio presso il quale il prodotto è stato acquistato.

Apparecchiatura progettata, testata e realizzata nel rispetto delle norme sulla:

- Sicurezza: EN/IEC 60335-1; EN/IEC 60335-2-6, EN/IEC 60335-2-31, EN/IEC 62233.
- Prestazione: EN/IEC 61591; ISO 5167-1; ISO 5167-3; ISO 5168; EN/IEC 60704-1; EN/IEC 60704-2-13; EN/IEC 60704-3; ISO 3741; EN 50564; IEC 62301.
- EMC: EN 55014-1; CISPR 14-1; EN 55014-2; CISPR 14-2; EN/IEC 61000-3-3; EN/IEC 61000-3-12. Suggerimenti per un corretto utilizzo al fine di ridurre l'impatto ambientale: Quando iniziate a cucinare, accendere la cappa alla velocità minima, lasciandola accesa per alcuni minuti anche dopo il termine della cottura. Aumentare la velocità solo in caso di grandi quantità di fumo e vapore, utilizzando la funzione booster solo in casi estremi. Per mantenere ben efficiente il sistema di riduzione degli odori, sostituire, quando è necessario, il/i filtro/i carbone. Per mantenere ben efficiente il filtro del grasso, pulirlo in caso di necessità. Per ottimizzare l'efficienza e minimizzare i rumori, utilizzare il diametro massimo del sistema di canalizzazione indicato in questo manuale.

2. Utilizzazione

Utilizzazione del piano cottura

Il sistema di cottura ad induzione si basa sul fenomeno fisico dell'induzione magnetica. La caratteristica fondamentale di tale sistema è il trasferimento diretto dell'energia dal generatore alla pentola.

Vantaggi:

Se si paragona ai piani di cottura elettrici, il vostro piano ad induzione risulta essere:

- **Più sicuro:** minore temperatura sulla superficie del vetro.
- **Più rapido:** tempi di riscaldamento del cibo inferiori.
- **Più preciso:** il piano reagisce immediatamente ai vostri comandi
- **Più efficiente:** il 90% dell'energia assorbita viene trasformata in calore. Inoltre, una volta tolta la pentola dal piano, la trasmissione del calore viene interrotta immediatamente, evitando inutili dispersioni di calore.

2.1 Recipienti per la cottura



Utilizzare solo pentole che riportano il simbolo

Importante:

- per evitare danni permanenti alla superficie del piano, non usare:
- recipienti con fondo non perfettamente piatto.
 - recipienti metallici con fondo smaltato.
 - recipienti con base ruvida, per evitare di graffiare la superficie del piano.
 - non appoggiare mai le pentole e le padelle calde sulla superficie del pannello di controllo del piano

2.1.1 Recipienti preesistenti

La cottura a induzione utilizza magnetismo per generare calore. I recipienti devono quindi contenere ferro. Potete verificare se il materiale della pentola è magnetico con una semplice calamita. Le pentole non sono adatte se non sono rilevabili magneticamente.

2.1.2 Diametri fondi pentola consigliati

IMPORTANTE : se le pentole non sono delle dimensioni corrette le zone di cottura non si accendono

Per vedere il diametro minimo della pentola da utilizzare su ogni singola zona, consultare la parte illustrata di questo manuale.

2.2 Risparmio energetico

Per ottenere migliori risultati si consiglia di:

- Utilizzare tegami e pentole con diametro del fondo uguale a quello della zona di cottura.
- Utilizzare soltanto pentole e tegami con fondi piatti.
- Dove possibile, tenere il coperchio sulle pentole durante la cottura
- Cuocere verdure, patate, ecc. con una piccola quantità d'acqua per ridurre il tempo di cottura.
- Utilizzare la pentola a pressione, riduce ulteriormente il consumo di energia e il tempo di cottura
- Posizionare la pentola nel centro della zona di cottura disegnata sul piano.

Utilizzazione dell'aspiratore

Il sistema di aspirazione può essere utilizzato in versione aspirante ad evacuazione esterna o filtrante a ricircolo interno.



Versione aspirante

Fig. 7

I vapori vengono evacuati verso l'esterno tramite una serie di tubazioni (da acquistare separatamente) fissate alla flangia di raccordo già in dotazione.

Il diametro del tubo di scarico deve essere equivalente al diametro dell'anello di connessione:

- in caso di uscita rettangolare 222 x 89 mm
- in caso di uscita tonda \varnothing 150 mm (*)

Per maggiori informazioni vedere la pagina relativa agli accessori della versione aspirante nella parte illustrata di questo manuale.

Fig. 7c Collegare il prodotto a tubi e fori di scarico a parete con diametro equivalente all'uscita d'aria (flangia di raccordo). L'utilizzo di tubi e fori di scarico a parete con diametro inferiore determinerà una diminuzione delle prestazioni di aspirazione ed un drastico aumento della rumorosità. Si declina perciò ogni responsabilità in merito.

! Usare un condotto lungo il minimo indispensabile.

! Usare un condotto con minor numero di curve possibili (angolo massimo della curva: 90°).

! Evitare cambiamenti drastici di sezione del condotto.



Versione filtrante

Fig. 8

L'aria aspirata verrà filtrata tramite appositi filtri grassi e filtri odori prima di essere riconvolgiata nella stanza.

Il prodotto viene fornito con tutto il necessario per un'installazione standard con l'uscita dell'aria nella parte frontale dello zoccolo del mobile.

Sono già inclusi nella confezione quattro batterie di filtri ceramici a carboni attivi ad altissime prestazioni. I filtri ceramici sono innovativi filtri carbone modulari che si rigenerano (consultare questo manuale nella sezione Manutenzione - Filtri ai carboni attivi).

Le proprietà chimicofisiche permettono di raggiungere un'alta efficienza di assorbimento odori ed un'elevata resistenza meccanica.

Per maggiori informazioni vedere la pagina relativa agli accessori della versione filtrante (nella parte illustrata di questo manuale).

Fig. 13b

3. Installazione

L'installazione sia elettrica che meccanica, deve essere eseguita da personale specializzato.

L'elettrodomestico è realizzato per essere incassato in un piano di lavoro spessore 2-6 cm, in caso di installazione TOP ; 2,5-6 cm in caso di installazione FLUSH.

La distanza minima tra il piano di cottura e la parete deve essere di almeno 5 cm frontalmente, di almeno 4 cm lateralmente e di almeno 50 cm rispetto ai pensili superiori.

NB = Le distanze suggerite sono indicative: nella progettazione degli spazi vanno seguite le indicazioni del produttore della cucina.



3.1 Collegamento Elettrico

Fig. 3

- Scollegare l'apparecchio dalla rete elettrica
 - L'installazione deve essere effettuata da personale professionalmente qualificato a conoscenza delle norme vigenti in materia d'installazione e sicurezza.
 - Il costruttore declina ogni responsabilità a persone, animali o a cose in caso di mancata osservanza delle direttive fornite nel presente capitolo.
 - Il cavo di alimentazione deve essere sufficientemente lungo da permettere la rimozione del piano cottura dal piano di lavoro
 - Assicurarsi che la tensione indicata sulla targhetta matricola posta sul fondo dell'apparecchio corrisponda a quella dell'abitazione in cui verrà installato.
 - Non utilizzare prolunghe.
 - La messa a terra è obbligatoria per legge
 - Il cavo elettrico della terra deve essere 2cm più lungo rispetto agli altri cavi
 - Nel caso in cui l'elettrodomestico non sia dotato di cavo di alimentazione, utilizzarne uno con sezione dei conduttori minimo 2.5 mm² per potenza fino a 7200 Watt.; mentre per potenze superiori deve essere 4 mm²).
 - In nessun punto il cavo deve raggiungere una temperatura di 50°C superiore alla temperatura ambiente.
 - L'apparecchio è destinato ad essere connesso permanentemente alla rete elettrica, per questo motivo effettuare il collegamento a rete fissa tramite un interruttore omnipolare a norme, che assicuri la disconnessione completa della rete nelle condizioni della categoria di sovratensione III, e che sia facilmente accessibile dopo l'installazione.
- Nota :** per collegare l'elettrodomestico con collegamento opzionale monofase è necessario rimuovere il cavo presente e sostituirlo con un'altro tipo di cavo (non fornito) che abbia le seguenti specifiche :
- collegamento monofase : cavo H05V2V2-F 3G4**

Fig. 3a

Attenzione! Prima di ricollegare il circuito all'alimentazione di rete e di verificarne il corretto funzionamento, controllare sempre che il cavo di rete sia stato montato correttamente.

Attenzione! La sostituzione del cavo di interconnessione deve essere effettuata dal servizio assistenza tecnica autorizzato o da persona con qualifica similare.

Nota : il prodotto è dotato di una funzione Power Limitor che permette di impostare una soglia massima di assorbimento kw Il settaggio deve avvenire al momento del collegamento del prodotto alla rete elettrica o alla riconnessione della rete elettrica stessa (entro i 2 minuti successivi). **Per la sequenza di settaggio del Power Limitation consultare questo manuale nella sezione Funzionamento.**

3.2 Montaggio

Prima di iniziare con l'installazione:

- Dopo aver disimballato il prodotto verificare che non si sia danneggiato durante il trasporto e in caso di problemi, contattare il rivenditore o il Servizio Assistenza Clienti, prima di procedere con l'installazione.
- Verificare che il prodotto acquistato sia di dimensioni idonee alla zona di installazione prescelta.
- Verificare che all'interno dell'imballo non vi sia (per motivi di trasporto) materiale di corredo (ad esempio buste con viti, garanzie etc.), eventualmente va tolto e conservato.
- Verificare inoltre che in prossimità della zona di installazione sia disponibile una presa elettrica

Predisposizione del mobile per l'incasso:

- Il prodotto non può essere installato sopra dispositivi di raffreddamento, lavastoviglie, stufe, forni, lavatrici e asciugatrici.
- Eseguire tutti i lavori di taglio del mobile prima di inserire il piano cottura e rimuovere accuratamente trucioli o residui di segatura.

IMPORTANTE: utilizzare un adesivo sigillante monocomponente (**S**), che abbia resistenza alle temperatura, fino a 250° ; prima dell'installazione le superfici da incollare devono essere pulite accuratamente eliminando ogni sostanza che potrebbe comprometterne l'adesione (es.: distaccanti, conservanti, grassi, oli, polveri, residui di vecchi adesivi etc.); il collante va distribuito uniformemente sull'intero perimetro della cornice; dopo l'incollaggio lasciare asciugare il collante per circa 24 ore.

Fig.1b

ATTENZIONE! La mancata installazione di viti e dispositivi di fissaggio in conformità di queste istruzioni può comportare rischi di natura elettrica.

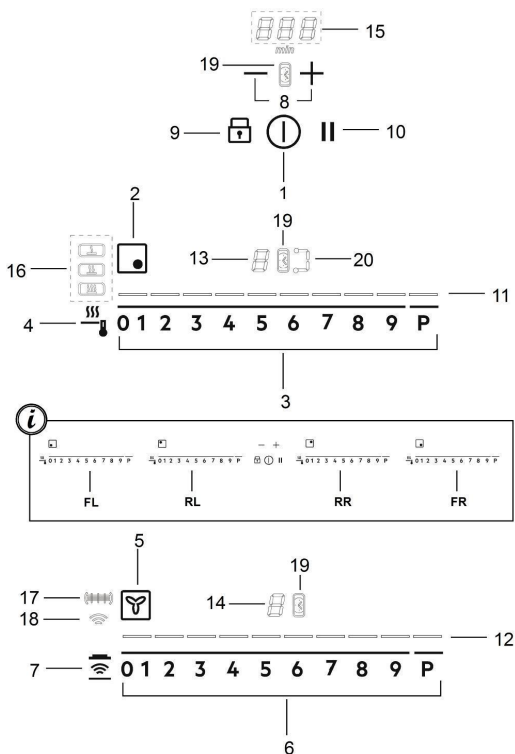
Nota: per una corretta installazione del prodotto è consigliabile nastrare le tubazioni con un adesivo che abbia le seguenti caratteristiche:

- film elastico in PVC morbido, con adesivo a base acrilato
- che rispetti la normativa DIN EN 60454
- ritardante di fiamma
- ottima resistenza all'invecchiamento
- resistente agli sbalzi di temperatura
- utilizzabile a basse temperature

4. Funzionamento

Pannello di controllo

Nota: Per selezionare i comandi è sufficiente sfiorare (premere) i simboli che li rappresentano



Tasti

Display / LED

- | | | | |
|-------|---|-----|---|
| 1. | ON/OFF del piano cottura/ aspiratore per piano cottura | 11. | Visualizzazione Power Level |
| 2. | Indicatore posizione zona di cottura | 12. | Visualizzazione velocità (potenza) di aspirazione |
| 3. | Selezione zone di cottura | 13. | Display zona di cottura |
| 3. | Selezione zone di cottura | 14. | Display aspiratore |
| 4. | Aumento/Diminuzione Power Level | 15. | Display Timer |
| 4. | Attivazione Temperature Manager | 16. | Visualizzazione Temperature Manager |
| 5. | Indicatore aspiratore | 17. | Indicatore assistenza filtri |
| 5. | Indicatore aspiratore | 18. | Indicatore funzione di aspirazione automatica |
| 6. | Selezione aspiratore | 19. | Indicatore Timer attivo |
| 6. | Aumento/Diminuzione velocità (potenza) di aspirazione | 20. | Indicatore Bridge attivo |
| 7. | Attivazione funzioni automatiche | | |
| 7. | Reset saturazione filtri | | |
| 8. | Attivazione Timer | | |
| 8. | Aumento/Diminuzione tempo Timer | | |
| 9. | Key Lock | | |
| 9+10. | Child Lock | | |
| 10. | Pausa / Recall | | |

UTILIZZO DEL PIANO COTTURA


Da sapere prima di iniziare:

Tutte le funzioni di questo piano di cottura sono progettate al fine di rispettare le più rigorose norme di sicurezza.

Per questo motivo:

• **Alcune funzioni non si attivano, o si disattivano automaticamente, in assenza delle pentole sopra i fuochi o quando queste sono mal posizionate.**

• In altri casi le funzioni attivate si disattivano automaticamente dopo pochi secondi quando la funzione selezionata necessita di una ulteriore impostazione che non viene data (ad es.: **“Accendere il piano di cottura”** senza **“Selezionare la zona di cottura”** e la **“Temperatura di esercizio”**, oppure la **“Funzione Lock”** o quella **“Timer”**).

 **Attenzione!** In caso (ad esempio) di utilizzo prolungato lo spegnimento della zona di cottura potrebbe non essere immediato perché in fase di raffreddamento; nel display delle zone di cottura, appare il simbolo **“H”** ad indicare che si è in questa fase.

Attendere che il display si spenga prima di avvicinarsi alla zona di cottura.

Display zona cottura

nei display relativi alle aree di cottura, viene indicato:

Zona di cottura accesa	O
Power Level	1...9.P
Residual Heat Indicator	H
Pot Detector	U
Funzione Temperature Manager attiva	U
Funzione Child Lock attiva	L
Funzione Pausa	
Funzione Automatic Heat UP	A

Caratteristiche del piano

● **Safe Activation**

Il prodotto si attiva solo in presenza di pentole sulle zone di cottura: il processo di riscaldamento non si avvia o si interrompe in caso di assenza o rimozione delle pentole.

● **Pot Detector**

Il prodotto rileva automaticamente la presenza di pentole sulle zone di cottura.

● **Safety Shut Down**

Per ragioni di sicurezza ogni zona cottura ha un tempo massimo di funzionamento che dipende dal livello di potenza impostato.

● **Residual Heat Indicator**

Allo spegnimento di una o più zone di cottura la presenza di calore residuo viene segnalata con apposito segnale visivo sul display della zona corrispondente, tramite il simbolo **“H”**.

Funzionamento

Nota: Per attivare qualsiasi funzione è prima necessario attivare la zona desiderata

● **Accensione**

Premere (sfiorare)  **ON/OFF piano cottura/ aspiratore**

La luce spia si accende ad indicare che il piano di cottura/aspiratore è pronto per l'utilizzo

Premere di nuovo per spegnere

Nota: Questa funzione è prioritaria su tutte le altre.

● **Selezione delle zone di cottura**

Sfiorare (premere la **Barra di selezione (3)**) corrispondente alla zona di cottura desiderata.

● **9 Power Level**

Il piano è dotato di 9 livelli di potenza

Sfiorare e scorrere con le dita lungo la **Barra di selezione (3)**: verso destra per aumentare il livello di potenza; verso sinistra per diminuire il livello di potenza.

● **Power Booster**

Il prodotto è dotato di un livello di potenza supplementare (oltre il livello **9**), che rimane attivo per 10 minuti, dopodiché la potenza ritorna al livello precedente.

Sfiorare e scorrere con le dita lungo la **Barra di selezione (3)**

(oltre il livello **9**) ed attivare il Power Booster

Il livello Power Booster è indicato nel display della zona selezionata con il simbolo **“P”**

● **Bridge Zones**


Le zone di cottura grazie alla funzione Bridge sono in grado di lavorare in modo combinato creando un'unica zona con lo stesso livello di potenza. Tale funzione permette una cottura omogenea con teglie e pentole di importanti dimensioni. E' possibile utilizzare in abbinamento la zona di cottura frontale "Master" con la corrispondente sul retro "Secondaria"

(per verificare su quali zone è prevista questa funzione, consultare la parte illustrata di questo manuale).

Per attivare la Funzione Bridge:

- **selezionare contemporaneamente le due zone di cottura che si vogliono utilizzare**

- l'indicatore Bridge (20) della zona di cottura "Secondaria" si

illumina "  "


- tramite la **Barra di selezione (3)** della zona di cottura "Master sarà possibile impostare il **Livello (Potenza) di esercizio**




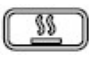


- per disattivare la **Funzione Bridge** è sufficiente ripetere la stessa procedura di attivazione

● **Temperature Manager**


Temperature Manager è una funzione che permette di settare la temperatura preimpostata, più adatta, per ottenere il tipo di risultato che desiderate (consultare la tabella Temperature Manager alla fine di questo capitolo).

Selezionare la zona di cottura desiderata.

• Premere una o più volte  (4) per scegliere il livello più idoneo tra quelli disponibili:

	Melting*	
	Warming*	
	Simmer*	
* Consultare la tabella Temperature Manager alla fine di questo capitolo.		


• Premere ancora per spegnere.

Nel display della zona di cottura che sta lavorando in Temperature Manager compare il simbolo "  "

● **Key Lock**

Il Key Lock permette di bloccare le impostazioni del piano, per impedire manomissioni accidentali, lasciando attive le funzioni già impostate.

Attivazione:

- premere  (9)
- il LED posto sopra al tasto si illumina, ad indicare l'avvenuta attivazione

Ripetere l'operazione per disattivare.



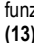
● **Child Lock**

Il Child Lock permette di evitare che i bambini possano accidentalmente accendere le zone cottura e la zona aspirante, inibendo l'attivazione di qualsiasi funzione.

Il Child Lock può essere attivato solo con prodotto acceso ma con zone di cottura (e zona aspirante) spente.

Attivazione:

- rimuovere le pentole eventualmente presenti sul piano cottura

- premere e tenere premuti contemporaneamente  (9) e la  (10), un segnale acustico indica che la funzione è attiva, e viene visualizzata una "  " nei display (13) e (14).

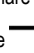
Ripetere l'operazione per disattivare.


● **Timer**

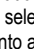
La funzione Timer è un countdown che è possibile impostare, anche contemporaneamente, su ogni zona cottura (e sulla zona aspirante).

Al termine del periodo impostato le zone cottura (o la zona aspirante) si spengono automaticamente e l'utente viene avvertito con apposito segnale acustico.

Attivazione/Regolazione della funzione Timer per il piano cottura

- Selezionare la zona di cottura (potenza 1 0).
- Premere  (8) per accedere alla funzione Timer
- Regolare il tempo di durata del Timer:

premere il selettore  , per aumentare il tempo di spegnimento automatico

premere il selettore  , per diminuire il tempo di spegnimento automatico

Se lo si desidera, ripetere l'operazione per le altre zone di cottura.


Nota: Ogni zona di cottura può avere impostato un Timer diverso; nel display (15) comparirà, per 10 secondi, il conto alla rovescia dell'ultima zona di cottura selezionata, dopodiché verrà visualizzato il conto alla rovescia con tempo minore.

Quando il timer ha terminato il conto alla rovescia viene emesso un segnale acustico (per 2 minuti, o smette premendo qualsiasi tasto del piano), mentre il display (15) lampeggia, con simbolo "000".

Nota: al lato del display della zona di cottura, con Timer in uso,

appare il simbolo  (19)


Per lo spegnimento del Timer:

- selezionare la zona di cottura
- impostare il valore del timer a "0", tramite 

Nota: la funzione rimane attiva se non si premono, nel frattempo, altri tasti.

● Egg Timer

La funzione Egg Timer è un countdown indipendente dalle zone cottura (e dalla zona aspirante). L'Egg Timer si attiva premendo

 (8).

Nota: per la regolazione della funzione **Egg Timer** seguire la stessa procedura della funzione **Timer**.

Quando il timer ha terminato il conto alla rovescia viene emesso un segnale acustico (per 2 minuti, o smette premendo qualsiasi tasto del piano), mentre il display (15) lampeggia, con simbolo "000".

● Pausa


La funzione Pausa permette di sospendere qualsiasi funzione attiva sul piano, portando a zero la potenza di cottura.

Attivazione:

- premere  (10)
- viene visualizzata una "i" nei display (13).

Per disattivare la funzione:

Nota: questa operazione ripristina le condizioni del piano prima della pausa

- premere  (10)
- entro 10 secondi scorrere verso destra con le dita lungo la **Barra di selezione (3)**, relativa alla **zona di cottura 2 (FIG.19)**;

Nota: se l'operazione non viene eseguita in questo tempo la funzione pausa resta attiva.

Nota: se dopo 10 minuti, la **Funzione Pausa** non viene disattivata, il piano si spegne automaticamente.

● Recall

La funzione Recall permette di recuperare tutte le impostazioni settate sul piano, in caso di spegnimento accidentale.

Attivazione:

- **riaccendere il piano** 
entro 6 secondi dallo spegnimento
- premere 
entro gli altri 6 secondi successivi

● Automatic Heat UP

La funzione Automatic Heat UP permette di portare più velocemente a regime la potenza impostata; con questa funzione abbiamo il vantaggio di avere una cottura più rapida, ma senza il rischio di bruciare i cibi, perché la temperatura non oltrepassa quella del livello impostato.

Questa funzione è disponibile per i livelli di potenza 1 -8 .


Attivazione:

- premere a lungo, sulla **Barra di Selezione (3)**, la potenza desiderata
- viene visualizzata una "A" nel display (13)


● Power Limitation

La funzione Power Limitation permette di impostare il funzionamento del prodotto limitandone l'assorbimento massimo.

Nota: il settaggio deve avvenire da piano spento, **senza**

premere il tasto , al momento del collegamento del piano cottura alla rete elettrica, o alla riconnessione della rete elettrica stessa, entro i 2 minuti successivi.

Per settare il Power Limitation :

- premere e tenere premuti a lungo i tasti , fino all'emissione di un breve segnale acustico

- scorrere contemporaneamente sugli slider **FL e RL**
0 1 2 3 4 5 6 7 8 9 P, da sinistra verso destra, poi mantenere premuto a lungo in corrispondenza delle lettere **P**, fino all'emissione di un breve segnale acustico

il display Timer (15) mostra i simboli "CF6", ad indicare che è possibile eseguire il settaggio

il display della **zona FL** mostra il settaggio corrente**
0 = 7,4 KW
1 = 4,5 KW

** di default il settaggio è impostato a 7,4 KW

- per cambiare l'impostazione del Power Limitation scorrere sullo slider FL 0 1 2 3 4 5 6 7 8 9 P

- da sinistra verso destra, per aumentare i Kw

- da destra verso sinistra, per diminuire i Kw

- per salvare la scelta effettuata premere i tasti



per 1 secondo;

verrà emesso un segnale acustico a confermare l'avvenuto settaggio, e si esce dalla funzione.

Il piano aspirante è predisposto per essere utilizzato in abbinamento ad un KIT sensore Window (non fornito dal produttore)

Installando il KIT sensore Windows (soltanto nel caso di utilizzo del piano in modalità ASPIRANTE), l'aspirazione dell'aria smetterà di funzionare ogni qual volta la finestra presente nella stanza, su cui il KIT viene applicato, risulterà chiusa.

E' raccomandabile l'acquisto del KIT FDS – 100

Elektrotechnik Schabus, disponibile presso i centri autorizzati Elektrotechnik Schabus o direttamente tramite il sito internet

www.elektrotechnik-schabus.de.

- Il collegamento elettrico del KIT piano aspirante deve essere effettuato da personale tecnico qualificato e specializzato.

- Il produttore del piano aspirante declina ogni responsabilità per eventuali inconvenienti, danni, incendi provocati da difetti e/o problemi di malfunzionamento e/o errata installazione del KIT.

UTILIZZO DELL'ASPIRATORE

● Accensione

Premere (sfiorare)  ON/OFF piano cottura/ aspiratore

La luce spia si accende ad indicare che il piano di cottura/aspiratore è pronto per l'utilizzo

Premere di nuovo per spegnere

Nota: Questa funzione è prioritaria su tutte le altre.

● Accensione dell'aspiratore:

Sfiorare (premere) la **Barra di selezione (6)** per attivare l'aspiratore

● Velocità (potenza) di aspirazione:

Sfiorare e scorrere con le dita lungo la **Barra di selezione (6)**:



verso destra per aumentare la velocità (potenza) di aspirazione (0-10);

verso sinistra per diminuire la velocità (potenza) di aspirazione (10-0);


● Timer

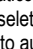
Attivazione/Regolazione della funzione Timer per l'aspiratore

• Selezionare l'aspiratore (velocità \neq 0).

• Premere   (8) per accedere alla funzione Timer (da qualsiasi velocità)


• Regolare il tempo di durata del Timer:

premere il selettore , per aumentare il tempo di spegnimento automatico

premere il selettore , per diminuire il tempo di spegnimento automatico


nel display (15) viene visualizzato il conto alla rovescia,

Nota: al lato del display dell'aspiratore, con Timer in uso,

appare il simbolo  (19)

Quando il timer ha terminato il conto alla rovescia viene emesso un segnale acustico (per 2 minuti, o smette premendo qualsiasi tasto del piano), mentre il display (15) lampeggia, con simbolo "0.00".

Per lo spegnimento del Timer:

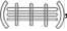
- selezionare la zona di cottura
- impostare il valore del timer a "0", tramite 

Nota: la funzione rimane attiva se non si premono, nel frattempo, altri tasti.


● Indicatore di saturazione filtri

La cappa indica quando è necessario eseguire la manutenzione dei filtri:

Filtro grassi


il LED  (17) si accende


Filtro odori a carbone attivo

il LED  (17) lampeggia

● Reset saturazione filtri

Dopo aver eseguito la manutenzione dei filtri (grassi e/o carbone


attivo) premere a lungo il tasto  (7);


il LED  (17) si spegne, facendo ripartire il conteggio dell'indicatore.

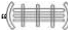
● Attivazione indicatore saturazione filtro odori a carbone Attivo

Questo indicatore è normalmente disattivato.

Per attivarlo procedere come segue:

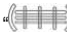
- accendere il piano aspirante tramite ;
- con motore di aspirazione e zone di cottura spente, premere e

mantenere premuto  (7);

-  si accende, poi si spegne, ad indicare l'avvenuta attivazione.

● Disattivazione indicatore saturazione filtro odori a carbone attivo

ripetere l'operazione sopra descritta per l'attivazione;

 lampeggia, poi si spegne ad indicare l'avvenuta disattivazione.

● Funzionamento automatico (Hob2Hood)

La cappa si accenderà alla velocità più idonea, adattando la capacità di aspirazione alle potenze delle zone di cottura.

Quando il piano cottura viene spento, la cappa adatta la sua velocità di aspirazione, diminuendola gradualmente, in modo da eliminare vapori ed odori residui.

Per attivare questa funzione:

Premere brevemente  (7), il LED  (18) si illumina a mostrare che la cappa sta lavorando in quesat modalità.

Il piano aspirante è predisposto per essere utilizzato in abbinamento ad un KIT sensore Window (non fornito dal produttore)




Installando il KIT sensore Windows (soltanto nel caso di utilizzo del piano in modalità ASPIRANTE), l'aspirazione dell'aria smetterà di funzionare ogni qual volta la finestra presente nella stanza, su cui il KIT viene applicato, risulterà chiusa.

E' raccomandabile l'acquisto del KIT FDS – 100

Elektrotechnik Schabus, disponibile presso i centri autorizzati Elektrotechnik Schabus o direttamente tramite il sito internet www.elektrotechnik-schabus.de.

- Il collegamento elettrico del KIT piano aspirante deve essere effettuato da personale tecnico qualificato e specializzato.

- Il produttore del piano aspirante declina ogni responsabilità per eventuali inconvenienti, danni, incendi provocati da difetti e/o problemi di malfunzionamento e/o errata installazione del KIT.

Temperatura di esercizio (preimpostato)		Descrizione
	Melting	Individua un livello di potenza adatto per sciogliere lentamente prodotti delicati senza comprometterne le caratteristiche sensoriali (cioccolato, burro ecc).
	Warming	Individua un livello di potenza adatto per permettere di mantenere in temperatura le vostre pietanze in modo delicato, senza raggiungere temperature di ebollizione.
	Simmer	Individua un livello di potenza adatto a sobbolire pietanze per tempi prolungati. Adatto per cuocere sughi di pomodoro, ragù, zuppe, minestrone, mantenendo un livello di cottura controllato (ideale per cotture a bagnomaria). Evita sgradevoli fuoriuscite del cibo o possibili bruciature sul fondo, tipiche di queste preparazioni. Utilizzare questa funzione dopo aver portato ad ebollizione l'alimento.

4.1 Tabelle di potenza

Livello di potenza		Tipologia di cottura	Utilizzo livello (l'indicazione affianca l'esperienza e le abitudini di cottura)
Max potenza	Boost	Riscaldare rapidamente	Ideale per innalzare in breve tempo la temperatura del cibo fino a veloce ebollizione in caso di acqua o riscaldare velocemente liquidi di cottura
	8-9	Friggere - bollire	Ideale per rosolare, iniziare una cottura, friggere prodotti surgelati, bollire rapidamente
Alta potenza	7-8	Rosolare – soffriggere - bollire - grigliare	Ideale per soffriggere, mantenere bolliture vive, cuocere e grigliare (per breve durata, 5-10 minuti)
	6-7	Rosolare - cuocere – stufare – soffriggere - grigliare	Ideale per soffriggere, mantenere bolliture leggere, cuocere e grigliare (per media durata, 10-20 minuti), preriscaldare accessori
Media potenza	4-5	Cuocere – stufare – soffriggere - grigliare	Ideale per stufare, mantenere bolliture delicate, cuocere (per lunga durata). Mantecare la pasta
	3-4	Cuocere - sobbollire – addensare - mantecare	Ideale per cotture prolungate (riso, sughi, arrosti, pesce) in presenza di liquidi di accompagnamento (es acqua, vino, brodo, latte), mantecare pasta
	2-3	Cuocere - sobbollire – addensare - mantecare	Ideale per cotture prolungate (volumi inferiori al litro: riso, sughi, arrosti, pesce) in presenza di liquidi di accompagnamento (es. acqua, vino, brodo, latte)
Bassa potenza	1-2	Fondere – scongelare – mantenere in caldo - mantecare	Ideale per ammorbidire il burro, fondere delicatamente il cioccolato, scongelare prodotti di piccole dimensioni
	1	Fondere – scongelare – mantenere in caldo - mantecare	Ideale per il mantenimento in caldo di piccole porzioni di cibo appena cucinate o tenere in temperatura piatti di portata e mantecare risotti
OFF	Potenza zero	Superficie di appoggio	Piano cottura in posizione di stand-by o spento (possibile presenza di calore residuo da fine cottura, segnalato con H-L-O)

4.2 Tabelle di cottura

Categoria di alimenti	Piatti o tipologia di cottura	Livello di potenza e andamento cottura			
		Prima fase	Potenze	Seconda fase	Potenze
Pasta, riso	Pasta fresca	Riscaldamento dell'acqua	Booster-9	Cottura della pasta e mantenimento ebollizione	7-8
	Pasta fresca	Riscaldamento dell'acqua	Booster-9	Cottura della pasta e mantenimento ebollizione	7-8
	Riso lessato	Riscaldamento dell'acqua	Booster-9	Cottura della pasta e mantenimento ebollizione	5-6
	Risotto	Soffritto e tostatura	7-8	Cottura	4-5
Verdure, legumi	Lessate	Riscaldamento dell'acqua	Booster-9	Lessatura	6-7
	Fritte	Riscaldamento dell'olio	9	Frittura	8-9
	Saltate	Riscaldamento dell'accessorio	7-8	Cottura	6-7
	Stufate	Riscaldamento dell'accessorio	7-8	Cottura	3-4
	Soffritte	Riscaldamento dell'accessorio	7-8	Doratura del soffritto	7-8
Carni	Arrosti	Doratura carne con olio (se con burro potenza 6)	7-8	Cottura	4-5
	Ai ferri	Preriscaldamento della pentola	7-8	Grigliatura su entrambi i lati	3-4
	Rosolatura	Rosolatura con olio (se con burro potenza 6)	7-8	Cottura	7-8
	Umido/stufato	Rosolatura con olio (se con burro potenza 6)	7-8	Cottura	3-4
Pesce	Ai ferri	Preriscaldamento della pentola	7-8	Cottura	7-8
	Umido/stufato	Rosolatura con olio (se con burro potenza 6)	7-8	Cottura	3-4
	Fritto	Riscaldamento dell'olio o materia grassa	8-9	Frittura	7-8
Uova	Frittate	Riscaldamento della padella con burro o materia grassa	6	Cottura	6-7
	Omelette	Riscaldamento della padella con burro o materia grassa	6	Cottura	5-6
	Coque/sode	Riscaldamento dell'acqua	Booster-9	Cottura	5-6
	Pancake	Riscaldamento della padella con burro	6	Cottura	6-7
Salse	Pomodoro	Rosolatura con olio (se con burro potenza 6)	6-7	Cottura	3-4
	Ragù	Rosolatura con olio (se con burro potenza 6)	6-7	Cottura	3-4
	Besciamella	Preparazione della base (sciogliere burro e farina)	5-6	Portare a leggera ebollizione	3-4
Dolci, creme	Crema pasticcera	Portare latte in ebollizione	4-5	Mantenere leggera ebollizione	4-5
	Budini	Portare latte in ebollizione	4-5	Mantenere leggera ebollizione	2-3
	Riso al latte	Scaldare latte	5-6	Mantenere leggera ebollizione	2-3

5. Manutenzione

Manutenzione del piano di cottura

Attenzione! Prima di qualsiasi operazione di pulizia o manutenzione, assicurarsi che le zone di cottura siano spente e che la spia di indicazione calore sia scomparsa.

5.1 Pulizia

Il piano cottura va pulito dopo ogni utilizzo.

Importante:

Non utilizzare spugne abrasive, pagliette. Il loro impiego, col tempo, potrebbe rovinare il vetro.

Non utilizzare detergenti chimici irritanti, quali spray per forno o smacchiatori.

Dopo ogni uso, lasciare raffreddare il piano e pulirlo per rimuovere incrostazioni e macchie dovute a residui di cibo.

Zucchero o alimenti ad alto contenuto zuccherino danneggiano il piano cottura e vanno rimossi immediatamente.

Sale, zucchero e sabbia potrebbero graffiare la superficie del vetro.

Usare un panno morbido, carta assorbente da cucina o prodotti specifici per la pulizia del piano (attenersi alle indicazioni del Fabbricante).

NON UTILIZZARE PULITRICI A GETTO DI VAPORE!!!

Importante:

In caso di fuoriuscite accidentali e abbondanti di liquidi dalle pentole è possibile intervenire attraverso la valvola di scarico, posta sulla parte inferiore del prodotto, in modo da poter eliminare ogni residuo e poter eseguire una pulizia con la massima sicurezza igienica.

Fig.18

Per una pulizia più completa ed approfondita si può rimuovere completamente la vasca inferiore

Fig.18a - 18b

Manutenzione dell'aspiratore

Pulizia

Per la pulizia usare **ESCLUSIVAMENTE** un panno inumidito con detersivi liquidi neutri. **NON UTILIZZARE UTENSILI O STRUMENTI PER LA PULIZIA!**

Evitare l'uso di prodotti contenenti abrasivi.

NON UTILIZZARE ALCOOL!

Filtro antigrasso

Fig. 15-16

Trattiene le particelle di grasso derivanti dalla cottura.

Deve essere pulito una volta al mese (o quando il sistema di indicazione di saturazione dei filtri indica questa necessità), con detergenti non aggressivi, manualmente oppure in lavastoviglie a basse temperature ed a ciclo breve.

Con il lavaggio in lavastoviglie il filtro antigrasso metallico può scolorirsi ma le sue caratteristiche di filtraggio non cambiano assolutamente.

Filtri ai carboni attivi

(Solo per Versione Filtrante)


Fig. 17 – 17a – 17b – 17c

Trattiene gli odori sgradevoli derivanti dalla cottura.

Il prodotto è dotato di quattro batterie di filtri che trattengono gli odori grazie ai carboni attivi. I carboni attivi sono integrati in una struttura ceramica che li rende facilmente e completamente accessibili dalle impurità, creando così un'elevata superficie di assorbimento.

La saturazione dei **filtri ceramici a carboni attivi** si verifica dopo un uso più o meno prolungato a seconda del tipo di cucina e della regolarità della pulizia del filtro grassi. Questi filtri odori possono essere rigenerati termicamente ogni 2/3 mesi in forno preriscaldato a 200°C per 45 minuti. La rigenerazione consente una durata massima dei filtri di 5 anni.

5.2 Ricerca guasti

CODICE ERRORE	DESCRIZIONE	POSSIBILI CAUSE	RIMOZIONE ERRORE
E2	La zona comandi si spegne per temperatura troppo elevata	La temperatura interna delle parti elettroniche è troppo alta	Aspettare che il piano si raffreddi prima di riutilizzarlo
ERR03 + segnale sonoro 	Viene rilevata un'attivazione continua (permanente) del tasto. L'interfaccia si spegne dopo 10 secondi.	Acqua, pentole o utensili da cucina, sopra l'interfaccia utente.	Pulire la superficie, rimuovere eventuali oggetti dal piano.
Per tutte le altre segnalazioni di errore (E ... U ...)	Chiamare il servizio assistenza tecnica e comunicare il codice di errore		

5.3 Servizio assistenza

Prima di contattare il Servizio Assistenza

1. Verificare che non sia possibile risolvere da soli il problema sulla base dei punti descritti in "Ricerca guasti".
2. Spegner e riaccendere l'apparecchio per accertarsi che l'inconveniente sia stato avviato.

Se dopo i suddetti controlli l'inconveniente permane, contattare il Servizio Assistenza più vicino.

De instructies van deze handleiding strikt in acht nemen. Wij aanvaarden geen aansprakelijkheid voor eventuele problemen, schade of brand, veroorzaakt door het apparaat als gevolg van de niet-naleving van de instructies van deze handleiding. Het apparaat is uitsluitend bedoeld voor een huishoudelijk gebruik voor het koken van voedingsmiddelen en het afzuigen van de dampen van het kookproces. Geen ander gebruik is toegestaan (bijv. het verwarmen van ruimtes). De fabrikant aanvaardt geen enkele aansprakelijkheid voor een oneigenlijk gebruik of voor verkeerde instellingen van de bedieningselementen.

Het is mogelijk dat het product er anders uitziet dan in de illustraties van dit boekje, maar de aanwijzingen voor gebruik, onderhoud en montage blijven hetzelfde.

Het is belangrijk om deze handleiding te bewaren zodat ze op elk moment geraadpleegd kan worden. In geval van verkoop, overdracht of verhuizing moet de handleiding bij het product blijven.

! De instructies aandachtig lezen: deze bevatten belangrijke informatie over de installatie, het gebruik en de veiligheid.

! Geen elektrische wijzigingen op het product aanbrengen
! Alvorens het apparaat te installeren, moet gecontroleerd worden of alle onderdelen onbeschadigd zijn. Anders contact opnemen met uw leverancier en niet verder gaan met de installatie.

! Controleer de integriteit van het product alvorens over te gaan met de installatie. Anders contact opnemen met uw leverancier en niet verder gaan met de installatie.

Opmerking: De elementen gemarkeerd met het symbool "(*)" zijn optionele accessoires die alleen samen met bepaalde modellen geleverd worden, of het zijn niet-geleverde onderdelen die aangekocht moeten worden.



1. Waarschuwingen

Let op! Neem de volgende instructies strikt in acht:

- Alvorens enige handeling voor de installatie uit te voeren, moet het apparaat zijn losgekoppeld van het elektriciteitsnet.
- De montage of het onderhoud moet worden uitgevoerd door een gespecialiseerde technicus, in overeenstemming met de instructies van de fabrikant en volgens de plaatselijke voorschriften betreffende de veiligheid.

Geen enkel deel van het apparaat repareren of vervangen, tenzij uitdrukkelijk gevraagd in de handleiding voor gebruik.

- Aarding van het apparaat is verplicht.
- De voedingskabel moet lang genoeg zijn om de aansluiting op het elektriciteitsnet van het in het meubel ingebouwde apparaat mogelijk te maken.
- Opdat de montage voldoet aan de huidige veiligheidsnormen, is een meerpolige schakelaar volgens de norm vereist die de volledige ontkoppeling van het net garandeert onder de omstandigheden van overspanningscategorie III, in overeenstemming met de installatievoorschriften.
- Geen stekkerdozen of verlengsnoeren gebruiken.
- Na het voltooien van de installatie mogen de elektrische onderdelen niet meer toegankelijk zijn voor de gebruiker.
- De apparatuur en de toegankelijke onderdelen worden heet tijdens het gebruik. Let op om de verwarmingselementen niet aan te raken.
- Zorg ervoor dat kinderen niet met het apparaat spelen; houd kinderen op afstand en onder toezicht omdat de toegankelijke onderdelen tijdens het gebruik zeer heet kunnen worden.
- Voor mensen met pacemakers en actieve implantaten is het belangrijk om

te controleren, voorafgaand aan het gebruik van de inductiekookplaat, of uw stimulator compatibel is met het apparaat.

- Tijdens en na gebruik de verwarmingselementen van het apparaat niet aanraken.

- Vermijd het contact met doeken of andere brandbare materialen totdat alle onderdelen van het apparaat voldoende zijn afgekoeld.

- Geen brandbare materialen op het apparaat of in zijn nabijheid plaatsen.

- Oververhitte vetten en oliën kunnen gemakkelijk vlam vatten. Houd toezicht tijdens de bereiding van voedsel dat rijk is aan vet en olie.

- Indien het oppervlak is aangetast of gebarsten, moet het apparaat worden uitgeschakeld om het gevaar van elektrische schok te voorkomen.

- Het apparaat mag niet door een externe timer of een afzonderlijk systeem voor afstandsbediening in bedrijf worden gesteld.

- Een kookproces met olie of vet op een kookplaat zonder toezicht kan gevaarlijk zijn en brand veroorzaken.

- Het kookproces moet onder toezicht staan. Een kort kookproces moet constant bewaakt worden.

- NOOIT proberen vlammen met water te blussen. In plaats daarvan, het apparaat uitschakelen en de vlammen doven met, bijvoorbeeld, een deksel of een blusdeken. Brandgevaar: plaats geen voorwerpen op de kookplaten.

- Geen stoomreiniger gebruiken.

- Plaats geen metalen voorwerpen zoals messen, vorken, lepels en deksels op het oppervlak van de kookplaat omdat deze oververhit zouden kunnen raken.

- Alvorens het model op het elektriciteitsnet aan te sluiten: controleer het typeplaatje (aan de onderkant van het apparaat) om er zeker van te zijn dat de spanning en het vermogen overeenkomen met die van het elektriciteitsnet en dat het stopcontact geschikt is. In geval van twijfel contact opnemen met een gekwalificeerde elektricien.

Belangrijk:

- Na gebruik de kookplaat uitschakelen door middel van het bedieningspaneel en niet vertrouwen op de pan-detector.

- Om het morsen van vloeistoffen te voorkomen moet, voor het koken of verwarmen van vloeistoffen, de warmtetoevoer beperkt worden.

- Laat de verwarmingselementen niet ingeschakeld met lege pannen of steelpannen, of zonder recipiënten.

- Aan het einde van het kookproces de betreffende zone uitschakelen.

- Tijdens het koken nooit vellen aluminiumfolie gebruiken of direct in aluminium verpakte producten plaatsen. Het aluminium zou kunnen smelten en uw apparaat onherstelbaar beschadigen.

- Nooit een blikje met voedingsmiddelen opwarmen zonder dit eerst te openen: het zou kunnen ontploffen!

Deze waarschuwing geldt voor alle andere soorten kookplaten.

- Het gebruik van een hoog vermogen, zoals de functie Booster, is niet geschikt voor het verwarmen van bepaalde vloeistoffen, zoals bijvoorbeeld bakolie. De overmatige hitte zou gevaarlijk kunnen zijn. In dit geval raden wij het gebruik van een lager vermogen aan.
- De recipiënten moeten rechtstreeks en in het midden op de kookplaat worden geplaatst. In geen geval andere objecten tussen de pan en de kookplaat plaatsen.
- In geval van hoge temperaturen, vermindert het apparaat automatisch het vermogensniveau van de kookzones.

Voordat er enige handeling voor reiniging of onderhoud wordt uitgevoerd, moet het product worden losgekoppeld van het elektriciteitsnet door de stekker te verwijderen of de hoofdschakelaar van de woning uit te schakelen.

Gebruik tijdens alle handelingen voor installatie en onderhoud altijd werkhandschoenen.

Het apparaat kan gebruikt worden door kinderen vanaf 8 jaar oud en door personen met verminderde lichamelijke, zintuiglijke of geestelijke vermogens, of met gebrek aan ervaring of de nodige kennis, mits deze onder toezicht staan of nadat deze instructies kregen voor een veilig gebruik van het apparaat en betreffende het begrip van de gevaren die inherent zijn aan het apparaat.

Kinderen moeten gecontroleerd worden om ervoor te zorgen dat ze niet met het

apparaat spelen.

De reiniging en het onderhoud mogen niet worden uitgevoerd door kinderen zonder dat deze onder toezicht staan.

De ruimtes moeten beschikken over voldoende ventilatie wanneer de afzuigkap gelijktijdig gebruikt wordt met andere apparaten die functioneren op gas of andere brandstoffen.

De afzuigkap moet regelmatig zowel intern als extern gereinigd worden (TEN MINSTE EENMAAL PER MAAND) en hierbij moeten alle uitdrukkelijke aanwijzingen van de onderhoudsinstructies in acht worden genomen.

De niet-naleving van de voorschriften voor het reinigen van de afzuigkap en voor het vervangen en reinigen van de filters vormt een gevaar voor brand.

Het is ten strengste verboden voedsel direct op de vlam voor te bereiden.

Het gebruik van open vuur is schadelijk voor de filters, vormt een gevaar voor brand en moet derhalve altijd vermeden worden.

Het frituren moet altijd onder toezicht worden uitgevoerd om te voorkomen dat de olie oververhit raakt en vlam vat.

LET OP: Wanneer de kookplaat in werking is, kunnen de toegankelijke delen van de afzuigkap heet worden.

Let op! Het apparaat niet op het elektriciteitsnet aansluiten voor zolang de installatie niet volledig voltooid is.

Voor wat betreft de technische en veiligheidsmaatregelen voor de afvoer van de dampen moeten de eisen van de regelgeving van de plaatselijke bevoegde

instanties strikt in acht worden genomen. De aangezogen lucht mag niet geleid worden in een kanaal dat ook gebruikt wordt voor het afvoeren van rookgassen van apparaten die functioneren op gas of andere brandstoffen.

De afzuigkap niet zonder een correct gemonteerde lamp gebruiken of laten vanwege het gevaar voor elektrische schok.


De afzuigkap nooit gebruiken zonder het correct gemonteerde rooster!

Gebruik alleen de met het product voor de installatie geleverde bevestigingsschroeven of, indien deze niet geleverd zijn, koop het correcte type schroef. Gebruik een correcte lengte voor de schroeven zoals beschreven in de handleiding voor installatie.

Wanneer de afzuigkap gelijktijdig functioneert met apparaten die gevoed worden door een andere energie dan elektriciteit, mag de negatieve druk in de ruimte de 4Pa (4 x 10⁻⁵ bar) niet overschrijden.

Dit apparaat is gemarkeerd volgens de Europese Richtlijn 212/19/EG, Waste Electrical and Electronic Equipment (WEEE) - (Afgedankte Elektrische en Elektronische Apparatuur (AEEA)) Door er zorg voor te dragen dat dit apparaat op de correcte manier wordt verwijderd, draagt de gebruiker bij aan het voorkomen van potentieel negatieve consequenties voor het milieu en de gezondheid.



Het symbool  op het product of op de begeleidende papieren geeft aan dat dit product niet behandeld mag worden als huishoudelijk afval maar ingeleverd moet worden bij een erkend inzamelpunt voor de recycling van elektrische en elektronische apparaten. Verwerk het product in overeenstemming met de plaatselijke regelgeving voor afvalverwijdering. Voor meer informatie over de verwerking, het hergebruik en de recycling van dit product contact opnemen met de plaatselijke instantie voor de inzameling van huishoudelijke apparaten of de winkel waar het product is aangekocht.

Apparatuur ontworpen, getest en vervaardigd in overeenkomst met de normen inzake:

- Veiligheid: CEI/EN 60335-1; CEI/EN 60335-2-6, CEI/EN 60335-2-31, CEI/EN 62233.
- Prestaties: CEI/EN 61591; ISO 5167-1; ISO 5167-3; ISO 5168; CEI/EN 60704-1; CEI/EN 60704-2-13; CEI/EN 60704-3; ISO 3741; EN 50564; CEI 62301.
- EMC: EN 55014-1; CISPR 14-1; EN 55014-2; CISPR 14-2; CEI/EN 61000-3-3; CEI/EN 61000-3-12. Suggesties voor een correct gebruik om de gevolgen voor het milieu te verminderen: Wanneer u begint de koken de afzuigkap op de minimale snelheid inschakelen en hem ook na het einde van de bereiding enkele minuten ingeschakeld laten. De snelheid alleen verhogen in geval van een grote hoeveelheid stoom en rook en gebruik de functie booster alleen in extreme gevallen. Om het systeem voor de geurbeperving efficiënt te behouden moet(en), wanneer nodig, het/de koolstoffilter(s) vervangen worden. Voor het efficiënt behouden van het velfilter moet dit, wanneer noodzakelijk, gereinigd worden. Om de efficiëntie te optimaliseren en de geluidsemisies te beperken, is het raadzaam de in deze handleiding aangegeven maximale diameter voor het leidingensysteem te gebruiken.

2. Het gebruik

Gebruik van de kookplaat

Het kookstelsel op inductie is gebaseerd op het fysische verschijnsel van magnetische inductie. De voornaamste eigenschap van dit stelsel is de directe overdracht van energie van de generator naar de pan.

Voordelen:

In vergelijking met elektrische kookplaten is uw inductiekookplaat:

- **Veiliger:** lagere temperatuur op het glazen oppervlak.
- **Snel:** kortere verwarmingstijden van het voedsel.
- **Preciezer:** de kookplaat reageert onmiddellijk op uw commando's.
- **Efficiënter:** 90% van de geabsorbeerde energie wordt omgezet in warmte. Bovendien wordt de warmteoverdracht onmiddellijk onderbroken zodra de pan van de kookplaat verwijderd wordt en wordt zo onnodig warmteverlies voorkomen.

2.1 Receptiënten voor het koken



Gebruik alleen pannen met het symbool

Belangrijk:

om blijvende beschadiging van het oppervlak van de kookplaat te voorkomen, gebruik geen:

- receptiënten waarvan de bodem niet volledig plat is.
- metalen receptiënten met geëmailleerde bodem.
- receptiënten met een ruwe onderkant, om krassen op het oppervlak van de kookplaat te voorkomen.
- pannen nooit hete pannen en steelpannen op het oppervlak van het bedieningspaneel van de plaat.

2.1.1 Receptiënten reeds in uw bezit

Koken op inductie maakt gebruik van magnetisme om warmte te genereren. De receptiënten moeten derhalve ijzer bevatten. Met een eenvoudige magneet kunt u controleren of het materiaal van de pan magnetisch is. Wanneer ze als niet-magnetisch worden bevonden, zijn de pannen niet geschikt.

2.1.2 Aanbevolen diameters voor de bodem van de pan

BELANGRIJK: indien de pannen geen correcte afmetingen hebben, worden de kookzones niet geactiveerd.

Raadpleeg het geïllustreerde deel van deze handleiding om te controleren welke diameter pan op elke afzonderlijke zone gebruikt moet worden.

2.2 Energiebesparing

Voor het verkrijgen van de beste resultaat raden wij aan:

- Braadpannen en pannen te gebruiken met een diameter van de bodem die gelijk is aan die van de kookzone.
- Alleen pannen en braadpannen met een vlakke bodem te gebruiken.
- Indien mogelijk de deksels tijdens het koken op de pannen te houden.
- Groenten, aardappelen, enz. te koken met een kleine hoeveelheid water om de bereidingstijd te beperken.
- De snelkookpan te gebruiken om het energieverbruik en kooktijd verder te beperken.
- De pan in het midden van de op de plaat aangegeven kookzone te plaatsen.

Gebruik van de afzuigkap

Het afzuigstelsel kan gebruikt worden in de afzuigversie met externe afvoer of in de filterversie met interne recirculatie.



Extractie-vorm

Afb.7

De dampen worden naar buiten afgevoerd door middel van een reeks leidingen (apart aan te schaffen) bevestigd op de meegeleverde flensaansluiting.

De diameter van het afvoerkanaal moet gelijk zijn aan de diameter van de aansluitring:

- in geval van rechthoekige uitgang 222 x 89 mm
- in geval van ronde uitgang Ø 150 mm (*)

Raadpleeg voor meer informatie de pagina met betrekking tot de accessoires van de afzuigversie in het geïllustreerde deel van deze handleiding.

Afb.7c

Sluit het product aan op leidingen en uitlaatopeningen in de wand met een gelijke diameter aan die van de luchtuitlaat (flensaansluiting).

Het gebruik van leidingen en uitlaatopeningen met een kleinere diameter veroorzaken een verminderde prestatie van de afzuiging en een aanzienlijke toename van het geluidsniveau.

In deze gevallen aanvaarden wij derhalve geen enkele aansprakelijkheid.

- ! Gebruik een zo kort mogelijke leiding.
- ! Gebruik een leiding met zo weinig mogelijk bochten (maximale hoek van de bocht: 90°).
- ! Vermijd drastische wijzigingen in de doorsnede van de leiding.



Filtratie-vorm

Afb.8

De aangezogen lucht wordt na filtratie door speciale vetfilters en geurbepalende filters weer in de ruimte geleid.

Het product wordt geleverd met alle elementen noodzakelijk voor een standaardinstallatie, met de luchtuitlaat aan de voorzijde van de plint van het meubel.

De verpakking omvat reeds vier sets performante keramische filters met actieve koolstof. De keramische filters zijn innovatieve modulaire zelfgenererende koolstoffilters (raadpleeg het deel Onderhoud - Filters met actieve koolstof van deze handleiding).

De fysisch-chemische eigenschappen maken het mogelijk een hoge efficiëntie van geurabsorptie te bereiken en een hoge mechanische weerstand.

Raadpleeg voor meer informatie de pagina met betrekking tot de accessoires van de filterversie (in het geïllustreerde deel van deze handleiding).

afb. 13b

3. Het installeren

Zowel de elektrische als de mechanische installatie moeten worden uitgevoerd door gespecialiseerd personeel.

Het apparaat is vervaardigd voor inbouw in een 2-6 cm dik werkblad in geval van opbouwinstallatie; een verzonken installatie vereist een 2,5-6 cm dik werkblad.

De minimale afstand tussen de kookplaat en de wanden moet aan de voorkant ten minste 5 cm bedragen, aan de zijkanten 4 cm en ten minste 50 cm ten opzichte van de kastjes erboven.

NB = Dit zijn indicatieve afstanden: houd bij het bepalen van de afstanden rekening met de aanwijzingen van de fabrikant van de keuken.



3.1 Elektrische aansluiting

Afb. 3

- Verwijder de stekker van het apparaat uit het stopcontact.
- De installatie moet worden uitgevoerd door professioneel gekwalificeerd personeel dat op de hoogte moet zijn van de van kracht zijnde veiligheids- en installatievoorschriften.
- De fabrikant wijst iedere aansprakelijkheid af voor letsel aan personen of dieren en voor materiële schade die het gevolg zijn van de niet-naleving van de in dit hoofdstuk beschreven richtlijnen.
- De voedingskabel moet voldoende lang zijn om de kookplaat uit het werkblad te kunnen verwijderen.
- Verzeker u ervan dat de spanning aangegeven op het typeplaatje op de onderzijde van het apparaat overeenkomt met die van de woning waar het apparaat geïnstalleerd zal worden.
- Geen verlengsnoeren gebruiken.
- De aarding is wettelijk verplicht.
- De elektrische aardgeleider moet 2 cm langer zijn dan de andere geleiders.
- In het geval dat het apparaat niet is uitgerust met een voedingskabel, gebruik dan een kabel met een minimale doorsnede van de geleiders van 2,5 mm² voor vermogens tot 7200 watt; voor hogere vermogens moet de doorsnede 4 mm² zijn).
- Op geen enkel punt van de kabel mag de temperatuur 50°C hoger zijn dan de omgevingstemperatuur.
- Het apparaat is bedoeld om permanent aangesloten te zijn op het elektriciteitsnet; daarom moet de verbinding met de vaste netvoeding worden uitgevoerd door middel van een meerpolige schakelaar volgens norm, die de volledige ontkoppeling van de netvoeding garandeert onder de omstandigheden van de overspanningscategorie III en die na de installatie gemakkelijk bereikbaar moet zijn.

Opmerking: om het apparaat te verbinden met een optionele éénfasige aansluiting moet de aanwezige kabel verwijderd worden en vervangen worden met een ander type kabel (niet meegeleverd) met de volgende kenmerken:

éénfasige aansluiting: kabel H05V2V2-F 3G4

afb. 3a

Let op! Voordat u het circuit weer op het voedingsnet aansluit en de goede werking ervan controleert, moet altijd eerst gecontroleerd worden of de netkabel correct gemonteerd is.

Let op! De vervanging van de verbindingkabel moet worden uitgevoerd door de erkende technische servicedienst of door een persoon met een soortgelijke deskundigheid.

Opmerking : het product is uitgerust met de functie Power Limitorator door middel waarvan een maximale drempel voor kW-absorptie kan worden ingesteld.

De instelling moet worden uitgevoerd op het moment van aansluiting van het product op het elektriciteitsnet of de heraansluiting van het elektriciteitsnet zelf (binnen 2 minuten).
Raadpleeg het deel Werking van deze handleiding voor de instelvolgorde van de Power Limitorator.

3.2 Montage

Voordat u begint met de installatie:

- Na het uitpakken van het product controleren of het niet beschadigd is tijdens het transport en in geval van problemen, alvorens verder te gaan met de installatie, contact opnemen met uw leverancier of de klantenservice.
- Controleer of het gekochte product de juiste afmetingen heeft voor de gekozen installatiezone.
- Controleer of de verpakking (om transportredenen) aanvullend materiaal bevat (zoals bijvoorbeeld zakjes met schroeven, de garantie enz.); dit moet eventueel verwijderd en bewaard worden.
- Controleer ook of er in de nabijheid van de installatiezone een stopcontact beschikbaar is.

Vorbereiding van het meubel voor de inbouw:

- Het product mag niet geïnstalleerd worden boven koelapparatuur, vaatwasmachines, fornuizen, ovens, wasmachine en wasdrogers.
- Voer eerst alle zaagwerkzaamheden in het meubel uit en verwijder alle houtkrullen en zaagsel voordat de kookplaat geplaatst wordt.

BELANGRIJK: gebruik een één-component lijmkit (**S**), met een thermische weerstand tot aan 250°; voorafgaand op de installatie moeten de te verlijmen oppervlakken zorgvuldig gereinigd worden en moeten alle stoffen, die de hechting zouden kunnen aantasten, verwijderd worden (bijv.: losmiddelen, conserveringsmiddelen, vetten, oliën, poeders, oude lijmresten, enz.); de kit moet gelijkmatig over de gehele omtrek van de lijst verdeeld worden; na het verlijmen de kit gedurende ongeveer 24 uur laten opdrogen.

Afb. 1b

LET OP! De ontbrekende installatie van schroeven en bevestigingselementen, zoals voorzien in deze instructies, kan gevaren van elektrische aard veroorzaken.

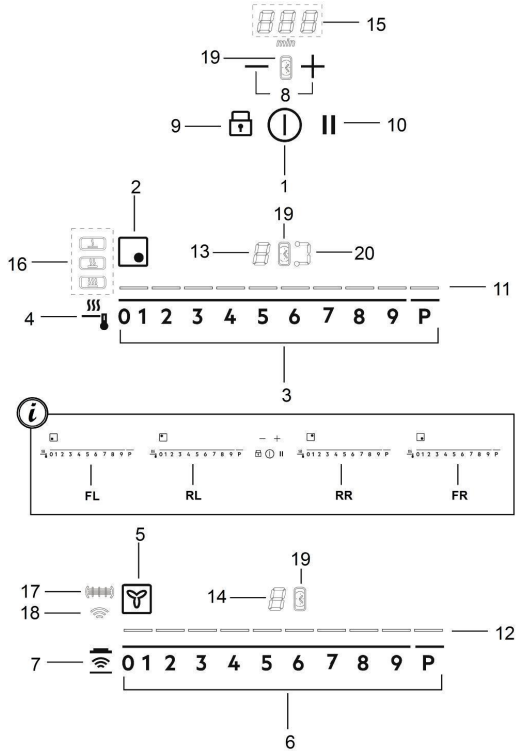
Opmerking: voor een correcte installatie van het product is het raadzaam de leidingen te omwikkelen met een kleefstof met de volgende kenmerken:

- elastische folie van zachte PVC, met hechtmiddel op basis van acrylaat
- moet voldoen aan de norm DIN EN 60454
- vlamvertragend
- uitstekende weerstand tegen veroudering
- bestand tegen temperatuurwisselingen
- bruikbaar bij lage temperaturen

4. Werking

Bedieningspaneel

Opmerking: Voor het selecteren van de commando's is het voldoende om het overeenkomstige symbool aan te raken (erop te drukken).



Toetsen

Display / LED

- | | |
|--|--|
| <ol style="list-style-type: none"> 1. ON/OFF van de kookplaat / de afzuigkap voor de kookplaat 2. Indicator positie kookzone 3. Selectie kookzones
Verhogen/Verlagen Power Level 4. Activering Temperature Manager 5. Indicator afzuigkap 6. Selectie afzuigkap
Verhogen/Verlagen aanzuignsnelheid (vermogen) 7. Activering automatische functies
Reset verzadiging filters 8. Activering Timer
Verhogen/Verlagen tijd Timer 9. Key Lock 9+10. Child Lock 10. Pauze / Recall | <ol style="list-style-type: none"> 11. Weergave Power Level 12. Weergave aanzuignsnelheid (vermogen) 13. Display kookzone 14. Display afzuigkap 15. Display Timer 16. Weergave Temperature Manager 17. Indicator service filters 18. Indicator functie automatische afzuiging 19. Indicator actieve Timer 20. Indicator actieve Bridge |
|--|--|

GEbruik VAN DE KOOKPLAAT


Belangrijk informatie alvorens te beginnen:

Alle functies van deze kookplaat zijn ontworpen om te voldoen aan de meest strenge veiligheidsnormen.

Derhalve:

• **Worden bepaalde functies niet geactiveerd, of worden ze automatisch gedeactiveerd, in afwezigheid van pannen op de kookzone of wanneer deze niet goed geplaatst zijn.**

• In andere gevallen worden de geactiveerde functies na enkele seconden automatisch gedeactiveerd wanneer de geselecteerde functie een andere instelling behoeft die echter niet wordt ingevoerd (bijv.: "Kookplaat inschakelen" zonder "Selecteer kookzone" en de "Bedrijfstemperatuur", of de "Functie Lock" of de "Timer").

 **Let op!** In geval van (bijvoorbeeld) een langdurig gebruik van de kookplaat, zou de uitschakeling van de kookzone niet onmiddellijk kunnen plaatsvinden omdat de koelfase wordt uitgevoerd; op het display van de kookzones verschijnt het symbool "H" om aan te geven dat deze fase wordt uitgevoerd.

Wacht tot het display uit gaat alvorens de kookzone te benaderen.

Display kookzone

op de displays van de kookzones wordt weergegeven:

Ingeschakelde kookzone	<i>0</i>
Power Level	<i>1...9.P</i>
Residual Heat Indicator	<i>H</i>
Pot Detector	<i>U</i> <i>-</i>
Functie Temperature Manager actief	<i>U</i>
Functie Child Lock actief	<i>L</i>
Functie Pauze	<i> </i>
Functie Automatic Heat UP	<i>A</i>

Kenmerken van de kookplaat

● Safe Activation

Het product wordt alleen geactiveerd in aanwezigheid van pannen op de kookzones: het verwarmingsproces wordt niet geactiveerd of wordt onderbroken in geval van afwezigheid of verwijdering van de pannen.

● Pot Detector

Het product detecteert automatisch de aanwezigheid van pannen op de kookzones.

● Safety Shut Down

Om veiligheidsredenen heeft elke kookzone een maximale werkingsduur, afhankelijk van het ingestelde vermogensniveau.

● Residual Heat Indicator

Bij de uitschakeling van één of meerdere kookzones wordt de aanwezigheid van restwarmte gesignaleerd met een speciale visuele aanduiding op het display van de betreffende zone, door middel van het symbool "H".

Werking

Opmerking: Voor de activering van de functies moet allereerst de gewenste zone geactiveerd worden.

● Inschakeling

Druk op (aanraken)  **ON/OFF kookplaat/ afzuigkap**
Het controlelampje gaat branden om aan te geven dat de kookplaat/afzuigkap klaar is voor gebruik.

Voor de uitschakeling nogmaals op de toets drukken.

Opmerking: Deze functie heeft voorrang op alle andere functies.

● Selectie kookzones

De **Selectiebalk (3)** van de gewenste kookzone aanraken (erop drukken).

● 9 Power Level

De kookplaat is uitgerust met 9 vermogensniveaus.

De **Selectiebalk (3)** aanraken en de vingers er over verschuiven:

naar rechts om het vermogensniveau te verhogen;

naar links om het vermogensniveau te verlagen.

● Power Booster

Het product is voorzien van een extra vermogensniveau (hoger dan het niveau *9*), dat 10 minuten actief blijft, waarna het vermogen terugkeert naar het eerder gebruikte niveau.

De **Selectiebalk (3)** aanraken en de vingers er over verschuiven (voorbij het niveau *9*) en de Power Booster activeren

Het niveau Power Booster wordt op het display van de geselecteerde zone aangegeven met het symbool "P".

● **Bridge Zones**

De kookzones aan de zijn, dankzij de functie Bridge, in staat om gecombineerd te werken en zo één enkele zone met hetzelfde vermogensniveau te creëren. Deze functie staat toe om, in geval van zeer grote pannen en platen, een gelijkmatige bereiding te verkrijgen. Het is mogelijk om de voorste kookzone "Master" te gebruiken in combinatie met de overeenkomstige "Secundaire" kookzone aan de achterzijde (raadpleeg het geïllustreerde deel van deze handleiding om te controleren voor welke zones deze functie geactiveerd kan worden).

Voor de activering van de functie Bridge:

- selecteer gelijktijdig de twee kookzones die men wenst te gebruiken

- de indicator Bridge (20) van de "Secundaire" kookzone

wordt geactiveerd "  "

- door middel van de Selectiebalk (3) van de kookzone "Master" is het mogelijk om het te gebruiken Niveau (Vermogen) in te stellen







- voor de deactivering van de Functie Bridge is het voldoende de activeringsprocedure te herhalen

● **Temperature Manager**


Temperature Manager is een functie voor het vooraf instellen van een temperatuur, de meest geschikte voor het verkrijgen van het gewenste resultaat (raadpleeg de tabel Temperature Manager aan het einde van dit hoofdstuk).

Selecteer de gewenste kookzone.

• Druk één of meerdere keren op  (4) voor het selecteren van het meest geschikte onder de beschikbare niveaus:

	Melting*	
	Warming*	
	Simmer*	
* Raadpleeg de tabel Temperature Manager aan het einde van dit hoofdstuk.		


• Druk nogmaals om uit te schakelen.

Op het display van de met Temperature Manager functionerende kookzone verschijnt het symbool "  "

● **Key Lock**

Door middel van de Key Lock kunnen de instellingen van de kookplaat vergrendeld worden om te voorkomen dat deze per ongeluk gewijzigd worden en om de reeds ingestelde functies actief te laten.

Activering:

- druk op  (9)
- de LED van de toets gaat aan om de activering van de functie aan te geven

Voor de deactivering dezelfde handeling herhalen.

● **Child Lock**

Door middel van de Child Lock kan, met de belemmering van de activering van alle functies, vermeden worden dat kinderen de kookzones en de afzuigzone per ongeluk inschakelen. De Child Lock kan alleen geactiveerd worden met het ingeschakelde product maar met de uitgeschakelde kookzones (en afzuigzone).

Activering:

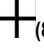

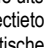
- verwijder de eventueel op de kookplaat aanwezige pannen
- houd gelijktijdig  (9) en de  (10) ingedrukt, een geluidssignaal geeft aan dat de functie actief is en er wordt een "  " weergegeven op de displays (13) en (14).

Voor de deactivering dezelfde handeling herhalen.

● **Timer**

De functie Timer is een countdown die, ook tijdelijk, kan worden ingesteld op iedere kookzone (en op de afzuigzone). Bij het verstrijken van de ingestelde tijd wordt de kookzone (of de afzuigzone) automatisch uitgeschakeld, hetgeen aan de gebruiker met een geluidssignaal gemeld wordt.

Activering/Instelling van de functie Timer voor de kookplaat

- Selecteer de kookzone (vermogen 1 0).
- Druk op  (8) voor toegang tot de functie Timer
- Stel de duur van de Timer in:
druk op de selectietoets  , voor het verhogen van de automatische uitschakeltijd
druk op de selectietoets  , voor het verminderen van de automatische uitschakeltijd

Indien gewenst, deze handeling herhalen voor de andere kookzones.

Opmerking: Voor iedere kookzone kan een andere Timer ingesteld worden, op het display (15) verschijnt voor 10 seconden de countdown van de laatst geselecteerde kookzone, waarna de countdown met de kortste tijd zal worden weergegeven.

Zodra de timer de countdown beëindigd, wordt er een geluidssignaal afgegeven (gedurende 2 minuten, wordt gestopt door te drukken op een willekeurige toets van de kookplaat), terwijl het display (15) knippert, met symbool "0.00".

Opmerking: tijdens het gebruik van de Timer verschijnt naast



(19)

het display van de kookzone het symbool



Voor het uitschakelen van de Timer:

- selecteer de kookzone
- stel de waarde van de timer in op "0", door middel van

Opmerking: de functie blijft geactiveerd, tenzij er in de tussentijd op andere toetsen gedrukt wordt.

● Egg Timer

De functie Egg Timer is een countdown die onafhankelijk is van de kookzones (en van de afzuigzone). De Egg Timer

wordt geactiveerd door te drukken op   (8).

Opmerking: volg voor de instelling van de functie **Egg Timer** dezelfde procedure als voor de functie **Timer**.

Zodra de timer de countdown beëindigd, wordt er een geluidssignaal afgegeven (gedurende 2 minuten, wordt gestopt door te drukken op een willekeurige toets van de kookplaat), terwijl het display (15) knippert, met symbool "0.00".

● Pauze


Met behulp van de functie Pauze kunnen de actieve functies van de kookplaat stopgezet worden en wordt het kookvermogen op nul gesteld.

Activering:

- druk op  (10)
- er wordt een "i" weergegeven op het display (13).

Voor de deactivering van de functie:

Opmerking : met deze handeling wordt de status van de kookplaat gereset naar die van voor de pauze

- druk op  (10)
- binnen 10 seconden met de vingers naar rechts schuiven

op

de **Selectiebalk (3)**, van de **kookzone 2**

(AFB.19);

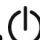

Opmerking : wanneer de handeling niet binnen deze tijd wordt uitgevoerd blijft de functie Pauze actief.

Opmerking: indien, de **Functie Pauze** na 10 minuten niet gedeactiveerd wordt, zal de kookplaat automatisch uitschakelen.

● Recall

Met de functie Recall is het mogelijk om, in geval van een onbedoelde uitschakeling, alle op de kookplaat toegepaste instellingen te herstellen.

Activering:

- de **kookplaat weer inschakelen**  binnen 6 seconden na de uitschakeling
- **druk op**  " binnen de volgende 6 seconden

● Automatic Heat UP

Door middel van de functie Automatic Heat UP is het mogelijk om het ingestelde vermogen sneller naar de bijbehorende waarde te brengen; deze functie biedt het voordeel van een sneller kookproces, zonder het risico voor aanbranden van de levensmiddelen omdat de temperatuur het ingestelde niveau niet zal overschrijden.

Deze functie is beschikbaar voor de vermogensniveaus 1 - 8.

Activering:

- druk lang op de **Selectiebalk (3)** voor het gewenste vermogen
- er wordt een "A" weergegeven op het display (13).

● Power Limitation

Door middel van de functie Power Limitation kan de werking van het product zo worden ingesteld dat de maximale absorptie beperkt wordt.

Opmerking: de instelling moet worden uitgevoerd met de uitgeschakelde kookplaat, **zonder** te drukken op de toets



op het moment van aansluiting van de kookplaat op het elektriciteitsnet of bij de heraansluiting van het elektriciteitsnet zelf, binnen 2 minuten.

Voor de instelling van de Power Limitation:

- houd de toetsen   langdurig ingedrukt, tot er een kort geluidssignaal te horen is

- scroll gelijktijdig op de sliders **FL en RL**

0 1 2 3 4 5 6 7 8 9 P, van links naar rechts, en houd lang ingedrukt in overeenkomst met de letters P, tot er een kort geluidssignaal te horen is

het display Timer (15) toont de symbolen "CF6", om aan te geven dat de instelling kan worden uitgevoerd

het display van de **zone FL** toont de huidige instelling**

0 = 7,4 KW

1 = 4,5 KW



** de standaardinstelling is gelijk aan 7,4 KW

- scroll, om de instelling van de Power Limitation te wijzigen, op de slider **FL** 0 1 2 3 4 5 6 7 8 9 P

- van links naar rechts om de Kw te verhogen

- van rechts naar links om de Kw te verlagen

- druk, om de gemaakte keuze op te slaan, op gedurende 1

seconde op de toetsen  

er wordt een geluidssignaal afgegeven om de uitgevoerde instelling te bevestigen; vervolgens wordt de functie afgesloten.

GEBRUIK VAN DE AFZUIGKAP

● Inschakeling

Druk op (aanraken)  ON/OFF kookplaat/ afzuigkap
Het controlelampje gaat branden om aan te geven dat de kookplaat/afzuigkap klaar is voor gebruik.

Voor de uitschakeling nogmaals op de toets drukken.

Opmerking: Deze functie heeft voorrang op alle andere functies.

● Inschakeling van de afzuigkap:

Voor de activering van de afzuigkap de **Selectiebalk (6)** aanraken (erop drukken)

● Aanzuignelheid (vermogen):

De **Selectiebalk (6)** aanraken en de vingers er over verschuiven:

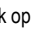

naar rechts om de aanzuignelheid (vermogen) te verhogen (0-10);

naar links om de aanzuignelheid (vermogen) te verlagen (10-0);

● Timer

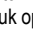
Activering/Instelling van de functie Timer voor de afzuigkap

• Selecteer de afzuigkap

• Druk op   (8) voor toegang tot de functie Timer (vanuit elke snelheid)

• Stel de duur van de Timer in:

druk op de selectietoets , voor het verhogen van de automatische uitschakeltijd

druk op de selectietoets , voor het verminderen van de automatische uitschakeltijd

op het display (15) wordt de countdown weergegeven,

Opmerking: tijdens het gebruik van de Timer verschijnt naast

het display van de afzuigkap het symbool  (19)

Zodra de timer de countdown beëindigd, wordt er een geluidssignaal afgegeven (gedurende 2 minuten, wordt gestopt door te drukken op een willekeurige toets van de kookplaat), terwijl het display (15) knippert, met symbool "0.00".

Voor het uitschakelen van de Timer:

• selecteer de kookzone

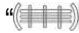
• stel de waarde van de timer in op "0", door middel van

Opmerking: de functie blijft geactiveerd, tenzij er in de tussentijd op andere toetsen gedrukt wordt.

● Indicator verzadiging filters

De kap geeft aan wanneer het noodzakelijk is om het onderhoud van de filters uit te voeren:

Vetfilter


de LED  (17) wordt geactiveerd


Geurfilter met actieve kool

de LED  (17) knippert

● Reset verzadiging filters

Druk, na het uitvoeren van het onderhoud van de filters (vet

en/of actieve kool) langdurig op de toets  (7) ;


de LED  gaat uit en de telling van de indicator start.


● Activering indicator verzadiging geurfilter met actieve kool

Deze indicator is gewoonlijk gedeactiveerd.


Ga voor zijn activering als volgt te werk:

- schakel de kookplaatafzuiging in met  ;

- met de uitgeschakelde afzuigmotor e kookzones, op  (7) drukken en ingedrukt houden;

-  gaat branden en gaat vervolgens uit om de activering aan te geven.

● Deactivering indicator verzadiging geurfilter met actieve kool

herhaal de hierboven voor de activering beschreven handeling  gaat knipperen en gaat vervolgens uit om de deactivering aan te geven.



● Automatische werking (Hob2Hood)

De kap wordt ingeschakeld op de meest geschikte snelheid en past het aanzuigvermogen aan op de vermogens van de kookzones.

Wanneer de kookplaat wordt uitgeschakeld, zal de afzuigkap zijn afzuigsnelheid aanpassen door deze geleidelijk te verminderen, om de resterende dampen en geuren af te voeren.

Voor het activeren van deze functie:



Druk kort op  (7), de LED  (18) gaat branden om aan te geven dat de kap in deze modus functioneert.

De kookplaatafzuiging is ontworpen om gebruikt te worden in combinatie met een Window Sensor KIT (niet door de fabrikant geleverd)




Wanneer de Windows Sensor KIT geïnstalleerd wordt (en alleen wanneer de kookplaatafzuiging in de AFZUIGMODUS gebruikt wordt), zal de luchtafzuiging onderbroken worden wanneer het raam waarop de KIT gemonteerd wordt, gesloten is.

Het is raadzaam om de KIT FDS - 100 Elektrotechnik Schabus te kopen bij de erkende dealers Elektrotechnik Schabus, of rechtstreeks via de website www.elektrotechnik-schabus.de.

- De elektrische aansluiting van de Kit voor de

kookplaatafzuiging moet worden uitgevoerd door deskundig en gespecialiseerd personeel.

- De fabrikant van de kookplaatafzuiging wijst iedere aansprakelijkheid af voor eventuele problemen, schade en brand die het gevolg zijn van defecten en/of een slechte werking en/of een onjuiste installatie van de KIT.

Vermogensniveau (van te voren ingesteld)	Beschrijving	
	Smelten	Kenmerkt een vermogens niveau die geschikt is voor het langzaam laten smelten van delicate producten zonder dat afbreuk wordt gedaan aan de sensorische kenmerken (chocolade, boter etc).
	Opwarmen	Kenmerkt een vermogensniveau dat geschikt is om gerechten op temperatuur te kunnen houden op een delicate wijze, zonder dat het kookpunt wordt bereikt.
	Suddereren	Kenmerkt een vermogensniveau dat geschikt is om gerechten te laten sudderen voor langere tijd. Geschikt voor het bereiden van tomatensaus, ragout, soepen, groentesoepen, waarbij het kookniveau onder controle blijft (ideaal voor de <i>au bain-marie</i> kooktechniek). Vermijd onaangenaam morsen van voedsel of het aanbakken op de bodem, typisch voor deze bereidingen. Gebruik deze functie nadat het etenswaar aan de kook is gebracht.

4.1 Vermogenstabel

Vermogensniveau		Soort bereiding	Gebruik (de indicatie hangt af van de ervaringen en de bereidingsgewoonten)
Max vermogen	Boost	Snel verwarmen	Ideaal om in korte tijd de temperatuur van het voedsel te verhogen tot het kookpunt, in het geval van water, of snel kookvocht te verwarmen
	8-9	Bakken - koken	deaal om aan te braden, een bereiding te starten, diepvriesproducten te bakken, water snel aan de kook te brengen.
Hoog vermogen	7-8	Aanbraden - fruiten - koken - grillen	Ideaal om te fruiten, vocht aan de kook te houden, koken en grillen (gedurende korte tijd, 5-10 minuten).
	6-7	Aanbraden - koken - laten sudderen - fruiten – grillen	Ideaal om te fruiten, vocht zachtjes aan de kook te houden, koken en grillen (gedurende gemiddelde tijd, 10-20 minuten), accessoires voorwarmen
Gemiddeld vermogen	4-5	Koken - laten sudderen - fruiten – grillen	Ideaal om te laden sudderen, vocht heel zachtjes aan de kook te houden, koken (gedurende lange tijd). Afmaken van de pasta (mantecare).
	3-4	Koken - laten pruttelen - inkoken - smeuiġ maken	Ideaal voor langdurige bereidingen (rijst, sauzen, braadstukken, vis) met bijbehorend vocht (bijv. water, wijn, bouillon, melk), pasta afmaken, smeuiġ maken (mantecare).
	2-3	Koken - laten pruttelen - inkoken - smeuiġ maken	Ideaal voor langdurige bereidingen (hoeveelheden kleiner dan een liter: rijst, sauzen, braadstukken, vis) in bijbehorend vocht (bijv. water, wijn, bouillon, melk).
Laag vermogen	1-2	Smelten – ontdooien – warm houden - smeuiġ maken	Ideaal om boter zacht te maken, voorzichtig chocolade te smelten; producten van kleine afmetingen te ontdooien
	1	Smelten – ontdooien – warm houden - smeuiġ maken	Ideaal om kleine hoeveelheden voedsel warm te houden die nèt bereid zijn of om schalen op temperatuur te houden en risotto's smeuiġ te maken.
OFF	Vermogen nul	Steunoppervlak	Kookplaat in stand-by of uitgeschakeld (mogelijke aanwezigheid van restwarmte na afloop van de bereiding, aangegeven door H-L-O)

4.2 Bereidingstabel

Categoriën levensmiddelen	Gerechten of bereidingswijzes	Vermogensniveau en voortgang bereiding			
		Eerste fase	Vermogen	Tweede fase	Vermogen
Pasta, rijst	Verse pasta	Verwarming van het water	Booster-9	Koken van de pasta en aan de kook houden	7-8
	Gedroogde pasta	Verwarming van het water	Booster-9	Koken van de pasta en aan de kook houden	7-8
	Gekookte rijst	Verwarming van het water	Booster-9	Koken van de rijst en aan de kook houden	5-6
	Risotto	Licht fruiten en roosteren	7-8	Bereiding	4-5
Groenten, peulvruchten	Gekookt	Verwarming van het water	Booster-9	Koken	6-7
	Gebakken	Verwarming van de olie	9	Bakken, frituren	8-9
	Sauteren	Verwarming van het accessoire	7-8	Bereiding	6-7
	Stoofschotels	Verwarming van het accessoire	7-8	Bereiding	3-4
	Licht gefruite gerechten	Verwarming van het accessoire	7-8	Bruin korstje geven aan licht gefruite gerechten	7-8
Vlees	Braadstuk	Bruin korstje geven aan vlees met olie (indien met boter vermogen 6)	7-8	Bereiding	3-4
	Aan het spit	Voorverwarming van de pan	7-8	Grillen aan beide zijden	7-8
	Aanbraden	Bruin korstje geven aan vlees met olie (indien met boter vermogen 6)	7-8	Bereiding	4-5
	Gestoofde gerechten	Bruin korstje geven aan vlees met olie (indien met boter vermogen 6)	7-8	Bereiding	3-4
Pesce	Aan het spit	Voorverwarming van de pan	7-8	Bereiding	7-8
	Gestoofde gerechten	Bruin korstje geven aan vlees met olie (indien met boter vermogen 6)	7-8	Bereiding	3-4
	Gebakken/gefrituurd	Verwarming van de olie of het vet	8-9	Bakken/frituren	7-8
Uova	Gebakken	Verwarming van de pan met boter of vet	6	Bereiding	6-7
	Omelet	Verwarming van de pan met boter of vet	6	Bereiding	5-6
	Zacht/hard gekookt	Verwarming van het water	Booster-9	Bereiding	5-6
	Pannenkoek	Verwarming van de pan met boter	6	Bereiding	6-7
Salse	Tomaat	Aanbraden met olie (indien met boter vermogen 6)	6-7	Bereiding	3-4
	Ragout	Aanbraden met olie (indien met boter vermogen 6)	6-7	Bereiding	3-4
	Bechamelsaus	Voorbereiding van de basis (boter smelten en meel toevoegen)	5-6	Zachtjes aan de kook brengen	3-4
Dolci, creme	Banketbakkers-creme	Melk aan de kook brengen	4-5	Zachtjes aan de kook houden	4-5
	Puddinkjes	Melk aan de kook brengen	4-5	Zachtjes aan de kook houden	2-3
	Rijs met melk	Melk verwarmen	5-6	Zachtjes aan de kook houden	2-3

5. Onderhoud

Onderhoud van de kookplaat

Let op! Controleer voorafgaand op elke handeling voor reiniging of onderhoud of de kookzones uitgeschakeld zijn en of de warmte-indicator verdwenen is.

5.1 Schoonmaak

De kookplaat moet na ieder gebruik gereinigd worden.

Belangrijk:

Gebruik geen schuursponsjes of metalen sponsjes. Deze zouden na verloop van tijd het glas kunnen beschadigen.

Gebruik geen chemische en irriterende reinigingsmiddelen, zoals ovenspray of vlekkenmiddelen.

Na elk gebruik de kookplaat af laten koelen en reinigen om aangekoekt vuil en vlekken van gemorst voedsel te verwijderen.

Suiker of levensmiddelen met een hoog suikergehalte beschadigen de kookplaat en moeten onmiddellijk worden verwijderd.

Zout, suiker en zand kunnen krassen veroorzaken op het glazen oppervlak.

Gebruik een zachte doek, absorberend keukenpapier of specifieke producten voor het reinigen van de kookplaat (volg de aanwijzingen van de fabrikant).

GEEN STOOMREINIGER GEBRUIKEN!!!

Belangrijk:

In geval er per ongeluk grote hoeveelheden vloeistof uit de pannen wordt gemorst, is het mogelijk in te grijpen door middel van het afvoerventiel op de onderste achterzijde van het apparaat om alle resten te verwijderen en een reiniging met de hoogste hygiënische veiligheid uit te voeren.

Afb.18

Voor een nog vollediger en grondiger reiniging is het mogelijk de onderste bak volledig te verwijderen.

Afb.18a - 18b

Onderhoud van de afzuigkap

Reiniging

Gebruik voor de reiniging **UITSLUITEND** een met neutrale reinigingsmiddelen bevochtigde doek. **GEEN GEREEDSCHAP OF INSTRUMENTEN GEBRUIKEN VOOR DE REINIGING!**

Vermijd het gebruik van producten die schurende stoffen bevatten.

GEEN ALCOHOL GEBRUIKEN!

Vetfilter

Afb. 15-16

Verzamel de door de bereiding vrijgegeven vetdeeltjes

Moet eenmaal per maand gereinigd worden (of wanneer het systeem voor de aanduiding van de verzadiging van de filters dit vereist) met niet-agressieve reinigingsmiddelen, met de hand of in de vaatwasser met lage temperaturen en de korte cyclus.

Het kan gebeuren dat het wassen in de vaatwasser het metalen vetfilter verkleurt maar de filtratie-eigenschappen zullen absoluut niet wijzigen.

Filter met actieve kool

(Alleen voor de Filterversie)

Afb. 17 – 17a – 17b – 17c


Vangt de door de bereiding veroorzaakte onaangename geuren op

Het product is uitgerust met 4 sets filters die de geuren dankzij de actieve kool opvangen. De actieve kool is geïntegreerd in een keramische structuur, eenvoudig en volledig toegankelijk voor de onzuiverheden, waardoor er een groot absorptie-oppervlak gevormd wordt.

De verzadiging van de keramische filters met actieve kool

vindt plaats na een meer of minder lang gebruik, afhankelijk van de manier van koken en de frequentie van reiniging van het vetfilter. Deze geurfilters kunnen om de 2/3 maanden thermisch geregenereerd worden, gedurende 45 minuten in een op 200°C voorverwarde oven. De regeneratie maakt een maximale duur van de filters van 5 jaar mogelijk.

5.2 Het opsporen van storingen

FOUTCODE	BESCHRIJVING	MOGELIJKE OORZAKEN	OPLOSSING
E2	Het bedieningspaneel wordt uitgeschakeld vanwege te hoge temperatuur	De interne temperatuur van de elektronische onderdelen is te hoog	Wacht tot de kookplaat is afgekoeld alvorens hem opnieuw te gebruiken
ERR03 + geluidssignaal 	Er wordt een voortdurende (permanente) activering van de toets waargenomen. De interface schakelt uit na 10 seconden.	Water, pannen of kookgerei op de gebruikersinterface.	Reinig het oppervlak en verwijder eventuele voorwerpen vanaf de kookplaat.
Voor alle andere foutmeldingen (E ... U ...)	Contact opnemen met de technische servicedienst en de foutcode mededelen		

5.3 Klantenservice

Voordat u contact opneemt met de Servicedienst

1. Controleren of het mogelijk is het probleem zelf op te lossen met behulp van de aanwijzingen beschreven onder "Problemen oplossen".
2. Het apparaat uit- en weer inschakelen om te controleren of het probleem verholpen is.

Als de storing na het uitvoeren van deze controles nog steeds aanwezig is, neem dan contact op met de dichtstbijzijnde Servicedienst.

Følg nøye alle instruksjonene som er oppført i denne håndboken. Produsenten fraskriver seg ethvert ansvar for eventuelle problemer, skader eller antenner som oppstår grunnet en manglende overholdelse av instruksjonene i denne håndboken. Apparatet er tiltenkt brukt i husholdninger, og brukes til tilberedelse av matvarer og avtrekk av matos og røyk/damp fra matlaging. All annen bruk er forbudt (f.eks. oppvarming av rom). Produsenten fraskriver seg ethvert ansvar for en uegnet bruk eller for feile innstillinger av kontrollene.

Produktet kan inneha andre estetiske egenskaper i forhold til illustrasjonene i denne håndboken. Instruksjoner angående bruk, vedlikehold og installasjon vil forbli de samme.

Det er viktig å ta vare på denne håndboken slik at den er tilgjengelig for senere behov. Sørg for at den følger med produktet hvis det selges, overføres eller flyttes.

- ! Les instruksjonene nøye: de inneholder viktig informasjon angående installasjon, bruk og sikkerhet.
- ! Ikke utfør elektriske endringer på produktet
- ! Før apparatet installeres må man kontrollere at alle komponentene er hele. Hvis dette ikke er tilfelle, stopp installasjonen og ta kontakt med selger.
- ! Kontroller produktets integritet før man fortsetter med installasjonen. Hvis dette ikke er tilfelle, stopp installasjonen og ta kontakt med selger.

Merknad: Bestanddeler som er merket med "(*)" er enten ekstrautstyr som kun leveres sammen med enkelte modeller eller deler som må kjøpes i tillegg.



1. Advarsel

Vær oppmerksom! Følg nøye alle instruksjonene som er oppført under:

-Apparatet må ikke være koblet til strømnettet når installasjonen utføres.

-Installasjonen eller vedlikeholdet må utføres av en kvalifisert tekniker, i samsvar med produsentens instruksjoner og i overensstemmelse med lokale forskrifter angående sikkerhet. Ikke reparer eller bytt ut deler på apparatet hvis dette ikke er spesifisert i bruksanvisningen.

-Det er obligatorisk å utføre jording på apparatet.

-Strømledningen må være så pass lang

at den tillater apparatets kobling til strømnettet når det er montert.

-For at installasjonen skal tilsvare gjeldende sikkerhetskrav, har man behov for en forskriftsmessig enpolet bryter, som garanterer en fullstendig frakobling fra nettet hvis det forekommer en overstrøm i kategori III, i overensstemmelse med installasjonreglene.

-Ikke bruk grenuttak eller skjøteledninger.

-Når installasjonen er ferdig utført, skal det ikke være mulig for bruker å få tilgang til de elektriske bestanddelene.

-Apparatet og de enkelte delene blir svært varme under bruk. Vær oppmerksom og pass på at ingen berører varmeelementene.

-Pass på at barn ikke leker med apparatet. Sørg for at de holder seg på god avstand, og hold dem under oppsyn hele tiden. Maskindeler kan bli svært varme under bruk.

-Når det gjelder personer med pacemaker eller lignende medisinske apparater, må man informere seg om hjertestimulatoren er kompatibel med induksjonstoppen.

-Ikke ta på apparatets varmeelementer under og etter bruk.

-Unngå kontakt med kluter eller andre brennbare materialer så lenge apparatets bestanddeler ikke har kjølt seg tilstrekkelig ned.

-Ikke plasser brennbare materialer på apparatet eller i nærheten av dette.

-Overopphetet fett eller olje kan lett ta fyr. Vær oppmerksom når det kokes matvarer som er rike på fett og olje.

-Hvis overflaten er sprukket, slå øyeblikkelig av apparatet for å unngå muligheten for elektrisk støt.

-Apparatet er ikke laget for å starte ved hjelp av en ekstern tidsinnstiller eller et system med fjernkontroll.

-Manglende tilsyn når man lager mat med olje eller fett, kan være farlig og forårsake brann.

-Kokeprosessen bør overvåkes. En kort kokeprosess må overvåkes hele tiden.

-Prøv ALDRI å slukke flammer med vann. Slå heller av apparatet og kvele flammene med for eksempel et lokk eller ett brannteppe. Brannfare: ikke plasser gjenstander på kokeplaten.

-Ikke bruk damprensere for å rengjøre.

-Ikke plasser metallgjenstander som kniver, gaffler, skjærer eller lokk på kokeplaten overflate da disse kan overopphetes.

- Før man kobler til produktet må man kontrollere merkeplaten (plassert nederst på apparatet) for å være sikker på at spenning og effekt tilsvarer strømnettets verdier og at også stikkkontakten stemmer overens. Ta kontakt med en faglært elektriker hvis du er i tvil.

Viktig:

-Slå av kokeplaten etter bruk ved å benytte kontrollsystemet og ikke stol på

gryte-detektoren.

-Ikke søl med væske og reduser varmen når man koker eller varmer den opp.

-Ikke la varmeelementene stå på uten gryter eller med tomme gryter og panner.

- Slå av den aktuelle kokesonen når man er ferdig med å tilberede mat.

-Ikke bruk aluminiumfolie for å lage mat og ikke plasser mat som er pakket inn i aluminium direkte på platen.

Aluminiumen kan smelte og forårsake uopprettelige skader på apparatet.

- Ikke varm opp en boks eller en blikkboks med mat uten å ha åpnet den først. Disse kan eksplodere!

Denne advarselen gjelder for alle andre typer kokeplater.

-Bruken av en høy effekt, som funksjonen Booster, er ikke egnet for å varme opp enkelte væsker som for eksempel fritureolje. For høy varme kan være farlig. I følgende tilfeller anbefaler man å bruke en lavere effekt.

-Beholderne må plasseres midt på kokeplaten. Plasser aldri noe mellom gryten og kokeplaten.

-Ved høye temperaturer reduserer apparatet kokeplaten effektivitet automatisk.

Før man utfører rengjøring eller vedlikehold må man koble fra produktet og dra ut støpslet, eventuelt koble fra hovedbryteren.

For alle installasjoner og vedlikeholdsinngrep må man anvende

arbeidshansker.

Apparatet kan anvendes av barn under 8 års alder eller av personer med reduserte fysiske, sanselige eller mentale evner, også uten erfaring eller med manglende kunnskap om selve produktet, gitt at disse holdes under oppsyn eller har vært gjenstand for opplæring i sikker bruk av produktet i sikkerhet og med forståelse for de involverte farer og risikoer.

Barn må holdes under oppsyn slik at de ikke leker med apparatet.

Rengjøring og vedlikehold må ikke utføres av barn hvis disse ikke holdes under oppsyn.

Lokalet skal inneha adekvat luftutveksling hvis kjøkkenviften skal anvendes samtidig med andre apparatet, og disse drives med gass eller andre brennstoffer. Kjøkkenviften må rengjøres hyppig både utvendig og innvendig (MINST EN GANG I MÅNEDEN). Man må også følge samtlige vedlikeholdsanvisninger.

Manglende etterfølgelse av rengjøringsanvisningene for kjøkkenviften, samt bytte og rengjøring av filterne, medfører risikoer for antenner.

Det er strengt forbudt å tilberede mat over åpne flammer.

Åpne flammer er skadelige for filteret og kan medføre antenner. Dette må alltid unngås.

Frityrsteking må gjøres med største forsiktighet, slik at ikke den varme oljen antennes.

VÆR OPPMERKSOM! Når koketoppen er i funksjon vil alle delene på kjøkkenviften bli varme.

Vær oppmerksom! Ikke koble apparatet til strøm før installasjonen er helt fullført. Hva angår tekniske og sikkerhetsmessige forholdsregler som må tas ved avtrekk av røyk og matos, henvises det til lovgivning og regelverk fra lokale myndigheter.

Luft som trekkes ut må ikke fraktes i samme rør som apparatet bruker til å skille ut røyk fra gass eller andre brennstoffer.


Ikke bruk eller la kjøkkenviften stå ubevoktet når lampene ikke er montert skikkelig. Dette kan medføre elektriske støt.

Ikke bruk kjøkkenviften uten at risten er korrekt montert!

Bruk kun de medfølgende skruene i forbindelse med installasjon, eller gå til innkjøp av korrekt skruer. Bruk skruer med korrekt lengde i henhold til informasjonen i installasjonsveiledningen. Når man samtidig kjører både kjøkkenviften og apparatene som forsynes av en kilde som ikke inneholder elektrisk strøm, må det negative trykket i rommet ikke overskride 4 Pa (4×10^{-5} bar).

Dette apparatet er merket i samsvar med EU-direktiv 2012/19/EF, Waste Electrical and Electronic Equipment (WEEE). Ved å sørge for at dette produktet kasseres på en riktig måte, bidrar man med å forebygge negative følger for miljøet og helsen.



Symbolet  på produktet eller på dokumentasjonen som følger med dette, indikerer at det ikke må kastes sammen med vanlig husholdningsavfall, men leveres inn til en gjenvinningsstasjon som håndterer elektrisk og elektronisk avfall. Kast apparatet i overensstemmelse med lokale regler for eliminering av avfall. For ytterligere informasjon om behandling og gjenvinning av dette produktet, vennligst ta kontakt med lokale myndigheter, en gjenvinningsstasjon, eller butikken hvor produktet ble kjøpt.

Apparatet er blitt utviklet, testet og oppført i henhold til følgende lovgivning:

- Sikkerhet: EN/IEC 60335-1; EN/IEC 60335-2-6, EN/IEC 60335-2-31, EN/IEC 62233.
- Maskinytelse: EN/IEC 61591; ISO 5167-1; ISO 5167-3; ISO 5168; EN/IEC 60704-1; EN/IEC 60704-2-13; EN/IEC 60704-3; ISO 3741; EN 50564; IEC 62301.
- EMC: EN 55014-1; CISPR 14-1; EN 55014-2; CISPR 14-2; EN/IEC 61000-3-3; EN/IEC 61000-3-12. Anbefalinger for korrekt bruk og reduksjon av miljøbelastning: Når man begynner å tilberede mat anbefales det å starte viften ved laveste hastighet. La den stå på noen minutter også etter at man er ferdig. Man kan øke effekten hvis det skapes store mengder røyk og damp. Bruk booster-funksjonen kun i ekstreme tilfeller. For at luftfjernerer skal fungere optimalt anbefales det å bytte karbonfilter ved behov. For at fettfilter skal beholde sein ytelse må de rengjøres ved behov. For å oppnå optimal ytelse og redusere støynivået bes man bruke maksimal diameter i rørsystemet som er gjengitt i denne håndboken.

2. Bruksmåte

Hvordan bruke koketoppen

Induksjonstoppen baserer seg på det fysiske prinsippet om magnetisk induksjon. Hovedkarakteristikken i et slikt system er at energien overføres direkte fra kilden til kjelen.

Fordeler:

Hvis man sammenligner vår induksjonstopp med en elektrisk kokeplate, ser man at vår er:

- **Sikrere:** lavere overflatetemperatur i glasset.
- **Raskere:** kortere oppvarmingstid.
- **Mer presis:** induksjonstoppen reagerer umiddelbart på enhver kommando.
- **Mer effektiv:** 90% av absorbert energi omdannes til varme. I tillegg avbrytes varmeoverføringen øyeblikkelig hvis gryten fjernes fra platen, slik at man unngår unødvendig varmespredning.

2.1 Beholdere som kan brukes under matlaging

Bruk kun gryter og panner som er merket med symbolet



for

Viktig:

for å unngå varige skader på overflaten, ikke bruk:

- beholdere som ikke har en fullstendig flat bunn.
- metalliske beholdere med emaljert bunn.
- beholdere med ru overflate, som kan skrape opp kokeplaten overflate.
- ikke plasser varme gryter eller panner på kontrollpanelets overflate

2.1.1 Føresisterende beholdere

Induksjon bruker magnetisme for å generere varme. Beholderne må derfor inneholde jern. Bruk en magnet for å kontrollere om den gamle pannen/gryten inneholder jern. Panner/kjeler/gryter uten magnet kan ikke benyttes.

2.1.2 Anbefalt diameter på panner/gryter

VIKTIG: hvis grytene/kjelene ikke har riktig diameter i forhold til de forskjellige platene, vil disse ikke slå seg på. For informasjon om diameterbegrensninger i hver enkelt sone, henvises det til illustrasjonene i denne håndboken.

2.2 Energisparing

For å oppnå best mulig resultat, anbefales følgende:

- Bruk gryter og panner som har samme diameter som kokesonen som skal benyttes.
- Bruk kun panner og gryter med flat bunn.
- Bruk lokk på gryten under matlaging når dette er mulig.
- Bruk så lite vann som mulig for å koke grønnsaker, poteter, osv., slik at koketiden reduseres.
- Bruk trykkoker, som reduserer både energiforbruket og koketiden.
- Plasser pannen midt på kokesonen som er tegnet av på overflaten.

Bruke avtrekket: Avtrekket kan brukes både med ekstern avtrekksfunksjon eller med intern resirkulering.



Avtrekksversjon

Fig.7

All damp trekkes ut av rommet ved hjelp av røropplegg (må kjøpes separat) som er festet på den medfølgende koblingsflensen.

Diameteren på avtrekksrøret må tilsvare diameteren på koblingsringen:

- med rektangulær utgang 222 x 89 mm
- med rund utgang Ø 150 mm (*)

For mer informasjon henvises det til informasjonen angående ekstrautstyr på versjonen med avtrekk. Finnes i den illustrerte versjonen av denne håndboken.

Fig.7c

Koble produktet til rør og avtrekkskull med diameter tilsvarende luftutgangen (koblingsflensen).

Bruk av rør og avtrekkskull med mindre diameter vil redusere avtrekkskapasiteten og øke støynivået betraktelig.

Vi fraskriver oss derfor alt ansvar

! Bruk en rørkanal som er så kort som mulig.

! Bruk en rørkanal med så få bøyer som mulig (maksimal kurve: 90°).

! Man må ikke ha variasjoner i tverrsnittet.



Filterversjon

Fig. 8

Avtrekksluft vil filtreres i fettfilter og luftfilter før den igjen føres ut i rommet.

Produktet leveres med alt nødvendig utstyr for en standard installasjon med luftavtrekk i front av apparatet.

Produktet leveres med fire keramiske filterpatroner (aktive karboner) med ekstrem høy ytelse. De keramiske filterne er nyskapende modulære karbonfiltere (det henvises til håndboken Vedlikehold - Aktivt karbonfilter).

Filternes kjemiske og fysiske egenskaper gjør at luftfjerningen kan utføres ved høy ytelse og med en forhøyet mekanisk motstand.

For mer informasjon henvises det til informasjonen angående ekstrautstyr på versjonen med filter. Finnes i den illustrerte versjonen av denne håndboken.

Fig. 13b

3. Installasjon

Både den elektriske og den mekaniske installasjonen må utføres av faglærte personer.

Dette apparatet er en innebygget modell som er tilpasset benker med tykkelse 2-6 cm (for TOP-montering), og 2,5-6 cm (for FLUSH-montering).

Minsteavstanden mellom platetoppen og veggen må være på minst 5 cm i front, minst 4 cm langs sidene, og minst 50 cm i overkant.

NB = de anbefalte avstandene er kun ledende, og man bes følge anvisningene fra kjøkkenprodusenten i forbindelse med montering.



3.1 Elektrisk tilslutning

Fig. 3

- Koble apparatet fra nettet

- Installasjonen må utføres av faglært og kvalifisert personell, som kjenner til gjeldende regler for installasjon og sikkerhet.

- Produsenten fraskriver seg ethvert ansvar for skader på personer, dyr eller gjenstander grunnet en manglende overholdelse av retningslinjene som er oppført i dette kapittelet.

- Strømledningen må være såpass lang at man fritt kan fjerne koketoppen fra benkeplaten.

- Forsikre seg om at spenningen, som er oppført på merkeplaten nederst på apparatet, tilsvarer den som befinner seg i huset hvor apparatet installeres.

- Ikke bruk skjøteledninger.

- Effektiv jording er lovpålagt

- Den elektriske jordledning må være 2 cm lengre enn de andre ledningene

- Hvis hvitevaren ikke er utstyrt med strømledning, bruk en med et snitt på 2,5 mm² for en styrke på opp til 7200 Watt; mens større styrker trenger et snitt på 4 mm².

- Ledningen må ikke, langs hele dens lengde, komme opp i en temperatur som overgår romtemperaturen med mer enn 50°C

- Apparatet er laget for en varig tilkobling til strømmettet. Utfør derfor koblingen til det faste nettet ved hjelp av en godkjent enpolet bryter, som garanterer fullstendig frakobling fra nettet ved en overspenning i kategori III, og som er lett tilgjengelig etter at installasjonen er fullført.

Merk : For å koble til apparatet med alternativ forsyning enfase må kablet fjernes og byttes med en annen kabel (medfølger ikke) som har følgende karakteristikker: enfaseforbindelse : kabel H05V2V2-F 3G4

Fig. 3a

Vær oppmerksom! Før kretsen kobles til nettstrømmen igjen, må man kontrollere at den fungerer riktig og at strømledningen er riktig montert.

Vær oppmerksom! Utbytting av ledningen må kun utføres av et autorisert teknisk servicesenter eller av en person med lignende kvalifikasjoner.

Merk: produktet er utstyrt med Power Limitor slik at man kan stille inn en grenseverdi for maksimal avgitt effekt kw Innstillingen må utføres når man kobler produktet til strømmettet, eller når man kobler inn selve strømforsyningen (innen 2 minutter). **For innstilling av Power Limitation henvises det til seksjonen Maskinfunksjon i denne håndboken.**

3.2 Montering

Før man starter med installasjonen:

- Etter at produktet er pakket ut må man kontrollere at det ikke har blitt utsatt for skade under transporten. Ta kontakt med selger eller kundeservice hvis dette er tilfelle, og avbryt installasjonen.
- Kontroller at størrelsen på produktet man har kjøpt er egnet for stedet hvor det ønskes installert.
- Kontroller om det finnes ekstrautstyr inne i emballasjen (for eksempel poser med skruer, garantibevis, osv.). Disse må eventuelt tas ut og oppbevares.
- Kontroller også at det finnes en tilgjengelig stikkontakt i nærheten av installasjonssonen.

Forberedelse av møbel for innebygging:

- Produktet kan ikke installeres over avkjølingsenheter, oppvaskmaskiner, peiser, ovner, vaskemaskiner og tørketromler.
- Utfør alle åpninger og fjern sagmugg og støv før koketoppen settes inn.

VIKTIG : bruk et klebemiddel av type **(S)**, som har en temperaturmotstand inntil 250° ; før installasjonen må overflatene som skal limes være helt rene (eks: konserveringsmiddel, fett, oljer, støv, rester etter gammelt lim); limet må fordeles jevnt langs kanten; la hvile 24 timer etter at klebemiddel er påført.

Fig. 1b

VÆR OPPMERKSOM! Manglende installasjon av skruer og festeanordninger i samsvar med disse instruksjonene kan føre til elektriske farer.

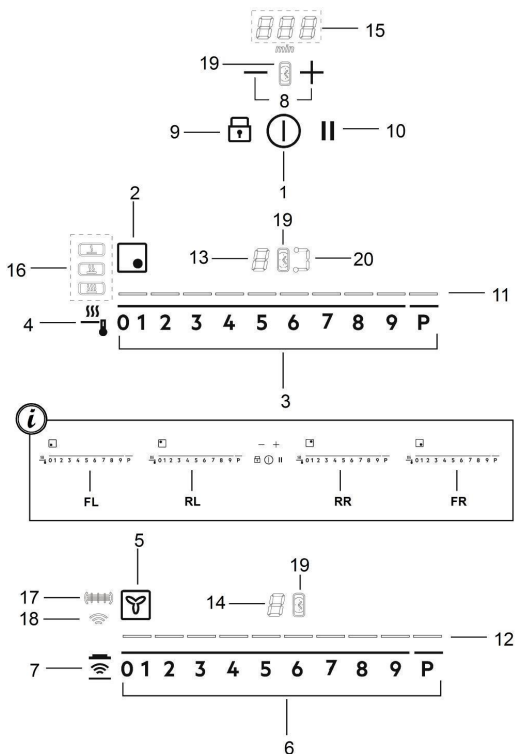
Merknad: For en korrekt installasjon av produktet må man sette på limbånd på rørene som innehar følgende egenskaper:

- elastisk myk PVC med akrylatbasert lim
- som respekterer DIN EN 60454
- flammehemmende
- ypperlig motstand mot slitasje
- motstand mot temperatursvingninger
- kan brukes ved lave temperaturer

4. Funksjon

Kontrollpanel

Merknad: For å bruke kontrollene er det tilstrekkelig å berøre (trykke på) de tilhørende symbolene.



Taster

Display / LED

1. **AV/PÅ** for induksjonstoppen / avtrekket
2. Posisjonsindikator for kokesone
3. Valg av kokesone
Øke/reducere effektnivå
4. Aktivere temperaturfunksjonen
5. Avtrekksindikator
6. Avtrekksvalg
Øke/reducere hastigheten (effekten) i avtrekket
7. Aktivere automatiske funksjoner
Reset av filter
8. Aktivere Timer
Øke/reducere Timer-tid
9. Tastelås
- 9+10 Barnesikring
10. Pause / Minnefunksjon

11. Vise Effektnivå
12. Vise hastigheten (effekten) i avtrekket
13. Display for kokesoner
14. Display for avtrekk
15. Display for Timer
16. Temperaturkontroll
17. Angir assistanse filter
18. Angir automatisk avtrekk
19. Angir aktiv Timer
20. Angir aktiv Bridge-funksjon

HVORDAN BRUKE KOKETOPPEN


Før man starter:

Alle funksjoner på denne koketoppen er laget for å overholde strenge sikkerhetskrav.

Av denne grunn:


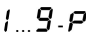






• **Enkelte funksjoner aktiverer seg ikke, eller deaktiveres automatisk, hvis det ikke finnes gryter/panner på platen eller hvis disse er plassert feil.**

• I andre tilfeller vil aktiverte funksjoner automatisk deaktiveres når man velger en funksjon som har behov for andre innstillinger og disse ikke oppgis (f.eks.: "Slå på koketoppen" uten "Velge kokesone" og "Driftstemperatur", eller "Lock-funksjon" eller "Timer").

 **Vær oppmerksom!** Ved lengre tids bruk vil kokesonen eventuelt ikke slå seg øyeblikkelig av, da den befinner seg i nedkjølingsfasen. På koketoppens display vises symbolet "H" for å vise at denne fasen er aktiv. Vent til displayet slår seg av før du nærmer deg kokesonen.

Display for kokesoner

på display for de ulike kokesonene vises:

Kokesonen er på	
Effektnivå	
Restvarmeindikator	
Grytedetektor	
Temperaturkontroll aktiv	
Barnesikring aktiv	
Pausefunksjon	
Automatisk oppvarmingsfunksjon	

Koketoppens egenskaper

● Sikker aktivering

Produktet aktiveres kun når det finnes kjeler/gryter plassert på sonene. Oppvarmingsfasen vil ikke starte opp (eller den avbrytes) hvis det ikke finnes gryter på platen.

● Grytedetektor

Produktet leser av gryter/kjeler automatisk når de plasseres i en av sonene.

● Sikker stopp

Av sikkerhetsårsaker har hver kokesone en maksimal effekt som avhenger av innstilt effektnivå.


● Restvarmeindikator

Når man slår av en eller flere kokesoner vil eventuell restvarme angis med et visuelt signal i displayet til den aktuelle sonen, med symbolet "H".

Maskinfunksjon

Merk. For å aktivere en funksjon må man først aktivere den aktuelle sonen.

● Slå på

Trykk (berør)  ON/OFF kokeplate/avtrekk
Lampen slår seg på for å vise at kokeplate/avtrekk er klart til bruk

Trykk igjen for å slå av

Merk. Denne funksjonen har prioritet over andre funksjoner.

● Velge kokesoner

Berøre (trykk på) **Valglinjen (3)** som tilsvarer ønsket kokesone.

● 9 Effektnivå

Kokeplaten er utstyrt med 9 effektnivåer
Berøre og dra fingeren langs **Valglinjen (3)**:
mot høyre for å øke effektnivået;
mot venstre for å redusere effektnivået;

● Power Booster (effektforsterker)

Produktet er utstyrt med et ekstra effektnivå (over nivå **9**), som forblir aktivt i 10 minutter før effektnivået går tilbake til forrige nivå.

Berøre og dra fingeren langs **Valglinjen (3)** (over nivå **9**) for å aktivere effektforsterker
Forsterkernivået er angitt i displayet for den valgte sonen med symbolet "P"


● **Bridge-soner**

Kokesonene kan takket være Bridge-funksjonen driftes som kombinasjonsplater. På denne måten oppnår man en enkelt kokesone med samme effektnivå. Denne funksjonen gir et jevnt resultat når det brukes store gryter eller kjeler. Man kan bruke kokesonen i front "**Master**" sammen med kokesonen bak "**Sekundær**" (for å kontrollere hvilke kokesoner som kan anvende denne funksjonen, henvises det til illustrasjonene i denne håndboken).

For å aktivere Bridge-funksjonen:

- velg samtidig de to kokesonene man ønsker å bruke

- Bridge-indikator (20) i den "Sekundære" kokesonen vil

begynne å lyse "  "

- bruk Valglinjen (3) i "Master" kokesonen for å stille inn det ønskede effektnivå







- for å deaktivere Bridge-funksjonen følger man samme prosedyre som for aktiveringen

● **Temperaturkontroll**

Temperaturkontroll er en funksjon som kan brukes til å velge den forhåndsprogrammerte temperaturen som passer best til hvert enkelt formål (det henvises til informasjon om temperaturkontroll på slutten av dette kapittelet).

Velg den kokesonen som passer best.

• Trykk en eller flere ganger  (4) for å velge et nivå som passer til det aktuelle behovet:

	Tine*	
	Varme*	
	Putre*	
* Den henvises til tabellen Temperaturkontroll i slutten av dette kapittelet.		


• Trykk igjen for å slå av.

I displayet for kokesonen hvor Temperaturkontrollen er i funksjon vises symbolet "  "

● **Tastelås**

Tastelåsen brukes for å blokkere kommandoene på koketoppen etter at de ønskede innstillinger er blitt foretatt, slik at kommandoene ikke aktiveres ved et uhell.

Aktivering:

- trykk på  (9)
- LED-lampen over tasten vil begynne å lyse når aktiveringen finner sted.



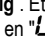
Gjenta operasjonen for å deaktivere.

● **Barnesikring**

Barnesikringen garanterer at kokesonene og avtrekkssonen ikke slår seg på ved en feil, og låser alle funksjoner slik at de ikke kan aktiveres.

Barnesikringen kan aktiveres når produktet er slått på, men med kokesonene (og avtrekkssonen) avslått.

Aktivering:

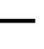
- fjern alle gryter fra koketoppen
- trykk på og hold nede  (9) og  (10) samtidig . Et lydssignal angir at funksjonen er aktiv, mens det vises en "  " i display (13) og (14).

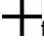
Gjenta operasjonen for å deaktivere.

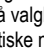
● **Timer**

Timer-funksjon er en nedtellingsfunksjon som kan programmeres for hver kokesone (og på avtrekkssonen). Når den programmerte perioden er utløpt vil kokesonene (eller avtrekkssonen) slå seg av automatisk, og brukeren vil varsles med et akustisk signal.

Aktivere/regulere koketoppens Timer-funksjon

- Velge ønsket kokesone (styrke 1-0).
- Trykk på  (8) for å få tilgang til Timer-funksjonen
- Regulere varighetstid for Timer:

Trykk på valgknappen  for å øke automatisk nedtellingstid

Trykk på valgknappen , for å redusere den automatiske nedtellingstiden

Gjenta inngrepet for de andre kokesonene hvis disse også skal stilles inn.

Merk. Hver kokesone kan ha forskjellige Timer-innstillinger. Displayet (15) viser nedtelling for den sist valgte kokesonen i 10 sekunder, deretter vil det vises en nedtelling med en mindre tidsverdi.

Når Timeren har fullført nedtellingen vil det skilles ut et akustisk signal (i to minutter, eller slå av med en tast) mens displayet (15) blinker med symbol "0.00".

Merk: ved siden displayet i kokesonen vises et symbol når



Timer-funksjonen er aktiv (19)

Hvordan slå av Timer:

- Velge ønsket kokesone
- still inn verdi med Timer-funksjonen tilsvarende "0", ved hjelp av

Merk: funksjonen forblir aktivert hvis man ikke trykker på andre taster i mellomtiden..

● Eggkoker

Eggkoker en en nedtellingsfunksjon som aktiveres uavhengig av kokesonen (og avtrekksonen). Nedtellingsfunksjonen

aktiveres ved å trykke på (8) .

Merk: for regulering av funksjonen **Egg Timer** følges samme prosedyre som for funksjonen **Timer**.

Når Timeren har fullført nedtellingen vil det skilles ut et akustisk signal (i to minutter, eller slå av med en tast) mens displayet (15) blinker med symbol "0.00".

● Pause

Pausefunksjonen slår av samtlige aktive funksjoner og setter kokeeffekten til null.

Aktivering:

- trykk på (10)
- det vil vises en "P" i display (13).

For å deaktivere funksjonen:

Merk : dette inngrepet gjenoppretter tilstanden til koketoppen før pause

- trykk på (10)
- innen 10 sekunder må man dra fingeren langs den anviste **Valglinjen (3)**, for den tilhørende **kokesonen 2 (FIG.19)**;

Merk : hvis operasjonen ikke utføres i løpet av denne tiden vil funksjonen forbli aktiv.

Merk: Hvis denne **Pausefunksjonen** ikke deaktiveres i løpet av 10 minutter vil koketoppen slå seg av automatisk.

● Minnefunksjon

Minnefunksjonen kan brukes til å tilbakekalle alle innstillinger som er blitt gjort, for eksempel når denne er blitt avslått ved et uhell.

Aktivering:

- slå på koketoppen igjen innen 6 sekunder
- trykk på innen 6 sekunder

● Automatisk oppvarming

Funksjonen for automatisk oppvarming gjør at man når den forhåndsprogrammerte effekten langt hurtigere. Med denne funksjonen vil man ha kortere koketider, men man unngår at matretten brenner seg fast, siden man ikke overskrider den programmerte effekten.

Denne funksjonen er tilgjengelig for effektnivå 1-8.

Aktivering:

- hold nede ønsket effektnivå på **Valglinjen (3)**, for å stille inn effekten
- det vil vises en "P" i displayet (13).

● Power Limitation

Funksjonen Power Limitation gjør at man kan fininnstille produktet ved å begrense maksimal avgitt effekt.

Merk : Programmeringen må utføres innen 2 minutter med koketoppen avslått, når koketoppen kobles til strømmettet, eller når man kobler tilbake strømforsyningen, **uten** å trykke på tasten .

For å stille inn Power Limitation :

- trykk og hold nede tastene inntil det skilles ut et akustisk signal

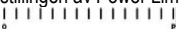
- bruk de to glidebrytere **FL og RL** , og før disse fra venstre mot høyre , og hold nede i posisjonen tilsvarende **P**, inntil det silles ut et akustisk signal

Timer-displayet (15) viser symbolene "CF6" for å varsle om at innstillingene nå kan foretas

Displayet i **FL-sonen** viser nåværende programmering**


0 = 7,4 KW
1 = 4,5 KW

** standard innstilling er 7,4 KW

- for å endre den aktuelle innstillingen av Power Limitation bruker man glidebryteren FL 

- fra venstre til høyre for å øke Kw

- fra høyre til venstre for å redusere Kw

- for å lagre valget trykker man på tastene  i 1 sekund

det skilles ut et langt akustisk signal for å bekrefte at innstillingen er blitt foretatt, og funksjonen avsluttes.

BRUK AV AVTREKKET

● Slå på

Trykk (berøre)  **ON/OFF kokeplate/avtrekk**
Lampen slår seg på for å vise at kokeplate/avtrekk er klart til bruk

Trykk igjen for å slå av

Merk. Denne funksjonen har prioritet over andre funksjoner.

● Slå på avtrekket:

Berøre (trykk på) **Valglinjen (6)** for å aktivere avtrekket

● Hastigheten (effekt) i avtrekket:

Berøre og dra fingeren langs **Valglinjen (6)**:


mot høyre for å øke hastigheten (effekten) i avtrekket (0-10);

mot venstre for å redusere hastigheten (effekten) i avtrekket (10-0);


● Timer

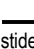
Aktivere/regulere avtrekkets Timer-funksjon

• Velge ønsket avtrekk (hastighet \neq 0).

• Trykk på  **(8)** for å få tilgang til Timer-funksjonen (fra en hvilken som helst hastighet)


• Regulere varighetstid for Timer:

Trykk på valgknappen  for å øke automatisk nedtellingstid

Trykk på valgknappen , for å redusere den automatiske nedtellingstiden

I displayet **(15)** vil det vises en nedtelling,

Merk: ved siden displayet til avtrekket vises et symbol når

Timer-funksjonen er aktiv  **(19)**

Når Timeren har fullført nedtellingen vil det skilles ut et akustisk signal (i to minutter, eller slå av med en tast) mens displayet **(15)** blinker med symbol "0.00".

Hvordan slå av Timer:

• Velge ønsket kokesone

• still inn verdi med Timer-funksjonen tilsvarende "0", ved hjelp av 

Merk: funksjonen forblir aktivert hvis man ikke trykker på andre taster i mellomtiden..

● Filter tilstoppet

Kjøkkenviften varsler hver gang det må utføres filterbytte:

Fettfilter


LED-lampen  **(17)** slår seg på


Luftfilter med aktivt karbon

LED-lampen  **(17)** blinker

● Reset av filter

Etter at filterene er blitt vedlikeholdt (fettfilter og/eller luftfilter


med aktivt karbon) trykker man på tasten  **(7)**

LED-lampen  slår seg av og starter tellingen på nytt.


● Aktivering av varsel for tilstoppet luftfilter

Denne indikatoren er vanligvis deaktivert.

For å aktivere gjør man som følger:


- slå på den innebygde ventilatoren med 

- trykk og hold nede  **(7)** når avtrekksmotor og kokesoner er avslått

-  slår seg på og deretter av for å bekrefte deaktiveringen.

● Deaktivering av varsel for tilstoppet filter - luftfilter med aktivt karbon.

gjenta prosedyren over for å aktivere

 blinker og slår seg av for å bekrefte deaktiveringen

● Automatisk drift (Hob2Hood)

Avtrekksketten slår seg på ved en passende hastighet, og vil tilpasse avtrekkskapasiteten til effekten som brukes i kokesonen.

Når koketoppen slås av vil hetten justere avtrekks hastigheten, slik at denne reduseres gradvis og fjerner os, damp og gjenværende matlukt.

For å aktivere denne funksjonen:

Trykk kort på  **(7)**. LED-lampen  **(18)** lyser for å varsle brukeren om at hetten befinner seg i denne modusen.


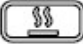

Avtrekkspaten skal brukes sammen med Window-sensoren (leveres ikke av produsenten)

Når Windows-sensoren er blitt installert (kun hvis programmodus AVTREKK er valgt), vil avtrekket deaktiveres hver gang vinduet hvor produktet er montert er lukket.

Det anbefales å gå til innkjøp av KIT FDS — 100 fra Elektrotechnik Schabus. Denne er tilgjengelig hos autoriserte Elektrotechnik Schabus-forhandlere, eller direkte på internettsiden www.elektrotechnik-schabus.de.

- **Strømforbindelsen til avtrekkspaten må settes opp av kvalifiserte spesialteknikere.**

- **Produsenten fraskriver seg alt ansvar for eventuelle feilfunksjoner, skader eller antenner som oppstår som følge av defekter og/eller feilfunksjoner og/eller feilaktig montering.**

Effektnivå (forhåndsinnstilt)		Beskrivelse
	Melting	Finner frem til riktig effektnivå for å smelte delikate produkter på en forsiktig måte, uten å ødelegge deres smaksegenskaper (sjokolade, smør, osv.).
	Warming	Finner frem til riktig effektnivå for å holde maten varm, uten å la den koke.
	Simmer	Finner frem til riktig effektnivå for retter som skal stå og småkoke over lengre tid. Egnet for koking av tomatsaus, kjøttsaus og supper for å opprettholde et kontrollert kokenivå (også ideell for matlaging i vannbad). Hindrer at det koker over eller at det svir i bunn, noe som er typisk for disse rettene. Bruk denne funksjonen etter at maten har kokt opp.

4.1 Tabeller over effektnivå

Effektnivå	Type matlaging	Hvilket nivå som skal benyttes (dette er bare en henvisning, egen erfaring og kokevaner gjelder også)	
Maksimal effekt	Boost	Hurtig oppvarming	Ideell for å varme opp mat på kort tid, spesielt hurtigkoking av vann eller andre væsker som skal varmes raskt opp
	8-9	Steke- koke	Ideell for å brune mat, starte en koking, steke frosne varer
Høy effekt	7-8	Brune - steke - koke - grille	Ideell for å brune mat, opprettholde kraftig koking, koke og grille (på kort tid, 5-10 minutter)
	6-7	Brune - koke - stue - steke - grille	Ideell for å brune mat, opprettholde en svak koking, koke og grille (over middels tid, 10-20 minutter), forhåndsvarme utstyr
Middels effekt	4-5	Koke - stue - steke - grille	Ideell for å lage gryteretter, holde delikat mat på svak varme, koke (over lengre tid). Blande pasta
	3-4	Koke - koke opp - koke tykt - blande	Ideell for mat som trenger lang koketid (ris, sauser, steker, fisk) og som inneholder væske (f.eks. vann, vin, kraft, melk), blande pasta
	2-3	Koke - koke opp - koke tykt - blande	Ideell for mat som trenger lang koketid (volum på mindre enn en liter: ris, sauser, steker, fisk) og som inneholder væske (f.eks. vann, vin, kraft, melk)
Svak effekt	1-2	Smelte - tine - holde varm - blande	Ideell for å myke opp smør, smelte sjokolade, tine små produkter
	1	Smelte - tine - holde varm - blande	Ideell for å holde nylagde og små porsjoner varme, eller holde tallerken varm og blande i risotto
OFF	Null effekt	Platens overflate	Koketopp i stand-by eller av (platene kan fremdeles være varme etter at de er slått av, noe som signaliseres med H-L-O)

4.2 Koketabeller

Type mat	Retter eller type matlaging	Effektnivå og fremgangsmåte for matlaging			
		Første fase	Effekt	Andre fase	Effekt
Pasta, ris	Fersk pasta	Oppvarming av vann	Booster-9	Koking av pasta og opprettholdelse av koking	7-8
	Fersk pasta	Oppvarming av vann	Booster-9	Koking av pasta og opprettholdelse av koking	7-8
	Kokt ris	Oppvarming av vann	Booster-9	Koking av pasta og opprettholdelse av koking	5-6
	Risotto	Surring av grønnsaker og ris	7-8	Koking	4-5
Grønnsaker, belgfrukter	Kokte	Oppvarming av vann	Booster-9	Koking	6-7
	Stekte	Oppvarming av olje	9	Steking	8-9
	Sauterte	Oppvarming av tilbehør	7-8	Koking	6-7
	Stuete	Oppvarming av tilbehør	7-8	Koking	3-4
	Stekte	Oppvarming av tilbehør	7-8	Bruning	7-8
Kjøtt	Steik	Bruning av kjøtt med olje (bruk effekt 6 hvis det brukes smør)	7-8	Koking	3-4
	Grillstekt	Oppvarming av gryte	7-8	Grilling på begge sider	7-8
	Surring	Surring i olje (bruk effekt 6 hvis det brukes smør)	7-8	Koking	4-5
	Koking i saus/stuet	Surring i olje (bruk effekt 6 hvis det brukes smør)	7-8	Koking	3-4
Fisk	Grillstekt	Oppvarming av gryte	7-8	Koking	7-8
	Koking i saus/stuet	Surring i olje (bruk effekt 6 hvis det brukes smør)	7-8	Koking	3-4
	Stekt	Oppvarming av olje eller annet fett	8-9	Steking	7-8
Egg	Omelett	Oppvarming av stekepanne med smør eller annet fett	6	Koking	6-7
	Omelett	Oppvarming av stekepanne med smør eller annet fett	6	Koking	5-6
	bløtkokt/hardkokt	Oppvarming av vann	Booster-9	Koking	5-6
	Pannekaker	Oppvarming av stekepanne med smør	6	Koking	6-7
Sauser	Tomatsaus	Surring med olje (bruk effekt 6 hvis det brukes smør)	6-7	Koking	3-4
	Kjøttsaus	Surring med olje (bruk effekt 6 hvis det brukes smør)	6-7	Koking	3-4
	Hvit saus	Forberedelse av basen (smeltet smør og hvetemel)	5-6	Kok forsiktig opp	3-4
Kaker, kremer	Vaniljekrem	Koke opp melken	4-5	Opprettholde en svak koking	4-5
	Pudding	Koke opp melken	4-5	Opprettholde en svak koking	2-3
	Risgrøt	Oppvarming av melk	5-6	Opprettholde en svak koking	2-3

5. Vedlikehold

Vedlikehold av koketoppen:

Vær oppmerksom! Før det utføres et hvilket som helst vedlikehold eller rengjøring, må man forsikre seg om at kokesonene er avslått og at kontrollampen som angir varmen er slukket.

5.1 Rengjøring

Koketoppen må alltid rengjøres etter bruk.

Viktig:

Ikke bruk skuresvamper eller stålull. Disse kan skade glassflaten over tid.

Ikke bruk kjemiske vaskemidler som kan virke irriterende, som for eksempel ovenvask eller flekkfjerner.

La overflaten kjøle seg ned etter bruk og fjern deretter alle matrester og flekker.

Sukker og andre sukkerrike matvarer kan skade koketoppen hvis de ikke fjernes øyeblikkelig.

Salt, sukker og sand kan ripe opp glassoverflaten.

Bruk en myk klut, kjøkkenpapir eller produkter som er laget spesielt for rengjøring av overflaten (overhold produsentens henvisninger).

IKKE BRUK DAMPRENSER!!!

Viktig:

Hvis det forekommer lekkasjer, eller hvis det spruter væsker fra grytene, må man bruke ventilen som er plassert i nedre del av produktet slik at man kan fjerne alt resttrykk og utføre rengjøring i absolutt hygiene og sikkerhet.

Fig.18

For en fullstendig rengjøring kan man fjerne hele det nedre fatet.

Fig.18a - 18b

Vedlikehold av kjøkkenviften:

Rengjøring

I forbindelse med rengjøring må man **KUN** bruke en fuktig klut med skånsomt vaskemiddel. **IKKE BRUK VERKTØY, INSTRUMENTER ELLER LIGNENDE UTSTYR I FORBINDELSE MED RENGJØRING!**

Ikke bruk slipende produkter.

IKKE BRUK SPRIT!

Fettfilter

Fig. 15-16

Holder på fettpartiklene fra stekeprosessen.

Må rengjøres en gang i måneden (eller når varselsystemet for tilstoppelse av filter aktiveres) med skånsomme vaskemidler, manuelt eller i oppvaskmaskin ved lav temperatur og kort vaskesyklus.

Hvis det brukes oppvaskmaskin kan det hende at fettfilteret i metall mister fargen. Dette betyr dog ikke at filteret mister sine egenskaper.

Filter med aktive karboner

(Kun for filterversjon)


Fig. 17 – 17a – 17b – 17c

Absorberer vond lukt fra matlaging.

Produktet er utstyrt med fire patroner som absorberer vond lukt. Aktive karboner er integrert i en keramisk struktur som gjør at man har enkel tilgang til urenheterne ved hjelp av en absorberende overflate.

Etter en gitt periode vil de **keramiske filtrene med aktivt karbon** mettes. Denne tiden avhenger av type kjøkken som er i bruk, samt hvor ofte fettfilteret er blitt rengjort. Disse luftfiltrene kan regenereres hver 2/3 måneder i forvarmet ovn ved 200°C i 45 minutter. Regenerering gir en maksimal varighet på 5 år.

5.2 Feilsøking

FEILKODE	BESKRIVELSE	MULIGE ÅRSAKER	TILTAK
E2	Sonen med kontroller slår seg av grunnet en for høy temperatur	Den interne temperaturen på de elektroniske delene er for høy	Vent til koketoppen kjøler seg ned før den benyttes igjen
ERR03 + lydsignal 	Varsler om en kontinuerlige (permanent) aktivering av tasten. Grensesnittet slår seg av etter 10 sekunder.	Vann, kjeler eller kjøkkenutstyr, brukergrensesnitt over.	Rengjør overflaten og ta bort eventuelle gjenstander fra platene.
For alle andre feilsignaler (E ... U ...)	Vennligst ta kontakt med teknisk servicesenter og oppgi feilkoden		

5.3 Servicesenter

Før man tar kontakt med Servicesenter

1. Kontroller om problemet kan løses gjennom henvisningene som beskrives i tabellen "Feilsøking".
2. Slå av og på apparatet for å forsikre seg om at problemet ikke kunne forhindres.

Hvis problemet vedvarer etter alle disse kontrollene, ta kontakt med nærmeste servicesenter.

Följ noga instruktionerna i denna handbok. Tillverkaren fransäger sig allt ansvar för eventuella funktionsfel, skador eller bränder som uppstår på apparaten på grund av att instruktionerna i denna handbok inte har respekterats. Apparaten är endast avsedd för hushållsbruk för tillagning av livsmedel och utsgning av rök från själva tillagningen. Andra typer av användning är inte tillåtet (t.ex. uppvärmning av omgivning). Tillverkaren fransäger sig allt ansvar för olämplig användning eller felaktiga inställningar av reglagen.

Produktens utseende kan skilja sig från illustrationen i ritningarna i denna handbok men alla anvisningar för användning, underhåll och installation förblir desamma.

Det är viktigt att spara denna handbok så att den när som helst är tillgänglig för framtida konsultationer. I händelse av försäljning, överlåtelse eller flytt ska handboken alltid följa med produkten.

! Läs igenom instruktionerna noggrant: dessa tillhandahåller viktig information beträffande installation, användning och säkerhet.

! Utför inga elektriska ändringar på produkten.

! Kontrollera innan apparaten installeras att inga komponenter är skadade. Kontakta i sådant fall återförsäljaren innan installationen utförs.

! Verifiera att produkten är i fullgott skick innan ni går vidare med installationen. Kontakta i sådant fall återförsäljaren innan installationen utförs.

Obs: Komponenter som är märkta med symbolen (*) är särskilda tillbehör som endast levereras med vissa modeller eller extra tillbehör som ska införskaffas separat.



1. Varningar

Observera! Följ instruktionerna nedan noga:

- Anslut inte apparaten till elnätet innan installationen är helt slutförd.

- Installation och underhåll ska utföras av behörig tekniker i enlighet med tillverkarens instruktioner och i enlighet med gällande lokala säkerhetsföreskrifter. Reparationer och byten av delar på apparaten som inte är särskilt angivna i handboken är inte tillåtna.

- Apparaten ska vara korrekt jordansluten.

- Elkabeln ska vara tillräckligt lång för att

ansluta den monterade apparaten i köksmöbeln med elnätet.

- I syftet att utföra en korrekt anslutning i enlighet med gällande

säkerhetsföreskrifter ska en godkänd flerpolig strömbrytare installeras enligt gällande installationsföreskrifter som garanterar en total fränkoppling från nätet i händelse av överspänning enligt klass III.

- Använd inte förgreningskontakter eller förlängningskablar.

- Efter avslutad installation ska samtliga elektriska komponenter vara placerade så att de inte är tillgängliga för användaren.

- Utrustningen och åtkomliga delar blir upphettade i samband med användningen. Var därför uppmärksam och undvik att vidröra värmezonerna.

- Kontrollera att barn inte leker med apparaten; barn ska vistas på säkert avstånd från apparaten eftersom vissa delar blir mycket heta i samband med användandet.

- Det är viktigt att personer med hjärtstimulatorer och aktiva implantat kontrollerar att stimulatorn är kompatibel med apparaten innan induktionshällen sätts i funktion.

- Undvik att vidröra värmezonerna i samband med användandet.

- Undvik kontakt med trasor eller andra antändbara material innan samtliga zoner svalnat tillräckligt.

- .-Placera inte antändbara material på apparaten eller i närheten av den.
- Upphettat fett eller olja kan lätt fatta eld. Matlagning med livsmedel som innehåller mycket fett och olja ska ske under uppsikt.
- I det fall en spricka uppstått på ytan ska apparaten stängas av för att undvika risken för elektriska stötar.
- Apparaten ska inte kontrolleras med en utvändigt timer eller en extra fristående fjärrkontroll.
- Matlagning på spishällen utan uppsikt med olja eller fett kan medföra risker och orsaka bränder.
- Matlagning ska ske under uppsikt. Snabb matlagning ska ske under ständig uppsikt.
- Eldsvådor ska ALDRIG släckas med vatten. Slå istället av apparaten och täck eldlågorna till exempel med ett lock eller en brandfilt. Fara för brand: spishällen ska inte användas som avställningsyta
- Använd inte ångregörare.
- Placera aldrig metal föremål såsom, knivar, gafflar, skedar och lock på spishällens yta då de kan bli heta.
- Innan apparaten ansluts till elnätet, kontrollera att spänningen och effekten som anges på märkplåten (placerad nedtill på apparaten) överensstämmer med elnätets nätspänning och att anslutningskontakten är korrekt. I händelse av tvivel, kontakta en behörig elinstallatör.

Viktigt:

- Efter användandet ska spishällen stängas av med hjälp av kontrollpanelen vilket innebär att kastrullsensorn inte längre fungerar korrekt.
 - Undvik att vätskor kokar över, sänk i detta syfte värmen för att koka och värma vätskor.
 - Lämna inte kokzonerna påslagna med tomma kastruller och stekpannor eller utan kokkärl.
 - När matlagningen avslutats ska den aktuella zonen stängas av.
 - Använd aldrig aluminiumfolie för att laga mat och ställ aldrig livsmedel i aluminiumemballage direkt på spishällen. Aluminiumet riskerar att smälta och orsaka allvarliga skador på apparaten.
 - Värm aldrig konservburkar som innehåller livsmedel utan att öppna burken: de kan explodera!
- Denna varning gäller alla typer av spishällar.
- En hög effekt som till exempel Boosterfunktionen är inte lämplig för att värma vissa vätskor, till exempel frytyrolja. En alltför hög värme kan utgöra fara. En lägre effekt är att färdreda vid denna typ av matlagning.
 - Kokkärlet ska vara placerade direkt på spishällen och mitt över kokzonen. Andra föremål får under inga omständigheter vara placerade mellan kokkärlet och spishällen.
 - Vid mycket höga temperaturer minskar apparaten automatiskt effektnivån på kokzonerna.

Innan någon typ av rengörings- eller underhållsåtgärder utförs, ska produkten frånkopplas från nätförsörjningen genom att dra ur kontakten eller koppla från huvudströmbrytaren i bostaden.

Använd arbetshandskar för alla typer av installations- och underhållsmoment.

Apparaten får användas av barn från 8 års ålder och av personer med nedsatt fysisk rörelseförmåga, sensorisk eller mental kapacitet, eller personer som saknar erfarenhet och kännedom om apparaten, under förutsättning att användandet övervakas eller instruktioner ges angående ett säkert användande av apparaten samt att användaren är medveten om de risker som apparaten medför.

Barn ska hållas under uppsyn så att de inte leker med apparaten.

Rengöring och underhåll får endast utföras av barn om de är under uppsikt.

Lokalen ska ha tillgång till ett fullgott ventilationssystem när köksfläkten används samtidigt som annan utrustning som drivs med gas eller andra bränslen.

Fläktkåpan ska rengöras ofta både invändigt och utvändigt (MINST EN GÅNG I MÅNADEN), och ni ska följa vad som uttryckligen indikeras i underhållsinstruktionerna.

Försummelse att iaktta föreskrifterna för rengöring av fläktkåpan samt utbyte och rengöring av filtren kan leda till risk för brand.

Det är förbjudet att laga mat över öppen låga.

Tillämpande av öppen låga är skadligt för filtren och kan leda till brand och måste därför alltid undvikas.

Fritering ska göras under kontroll för att undvika att den uppvärmda oljan fattar eld.

OBSERVERA: När spishällen är på kan köksfläktens åtkomliga delar bli varma.

Observera! Anslut inte apparaten till nätförsörjningen förrän installationen är helt slutförd.

Vad gäller de tekniska och säkerhetsåtgärder som ska vidtas för rökgasavledning, ska bestämmelser som fastställts av lokala behöriga myndigheter strikt iakttas.

Frånluft får inte avledas i ett rör som används för avledning av rökgaser som produceras av gasförbränningsapparater eller andra bränslen.

Använd inte eller lämna köksfläkten utan korrekt isatta lampor eftersom det kan leda till risk för elstöt.


Använd aldrig köksfläkten utan gallret korrekt monterat!

Använd endast fästskruvar som levereras med produkten för installation eller köp rätt typ av skruvar, om de inte medföljer apparaten. Använd skruvar av korrekt längd som identifieras i Installationshandboken.

När köksfläkten och utrustningen som inte försörjs med elektricitet är igång samtidigt, får det negativa trycket i rummet inte överstiga 4 Pa (4×10^{-5} bar).

Denna apparat är märkt i enlighet med EU-direktivet 2012/19/EG, elektriskt och elektroniskt avfall (WEEE). Genom att säkerställa en korrekt skrotning av denna produkt bidrar användaren till att förhindra potentiella, negativa konsekvenser för miljön och för vår hälsa.



Symbolen  på produkten, eller i medföljande dokumentation, indikerar att denna produkt inte får behandlas som vanligt hushållsavfall. Den ska i stället lämnas in på en lämplig uppsamlingsplats för återvinning av elektrisk och elektronisk utrustning. Produkten ska skrotas enligt lokala miljöbestämmelser för avfallshantering. För mer information om hantering, återvinning och återanvändning av denna produkt, var god kontakta lokala myndigheter, ortens sophanteringstjänst eller butiken där produkten inhandlades.

Utrustning som har projekterats, testats och konstruerats i enlighet med standarderna för:

Säkerhet EN/IEC 60335-1; EN/IEC 60335-2-6, EN/IEC 60335-2-31, EN/IEC 62233.

- Prestation: EN/IEC 61591; ISO 5167-1; ISO 5167-3; ISO 5168; EN/IEC 60704-1; EN/IEC 60704-2-13; EN/IEC 60704-3; ISO 3741; EN 50564; IEC 62301.

- Elektromagnetisk kompatibilitet: EN 55014-1; CISPR 14-1; EN 55014-2; CISPR 14-2; EN/IEC 61000-3-3; EN/IEC 61000-3-12. Förslag till en korrekt användning i syfte att reducera miljökonsekvenserna: När ni börjar att laga mat ska köksfläkten slås på och ställas på minimihastighet, lämna den dessutom på i ett par minuter efter att matlagningen är klar. Öka endast hastigheten i händelse av stora mängder rök och ånga, och använd endast booster-funktionen i extrema fall. För att hålla luktreduktionssystemet effektivt ska kolfiltret/ kolfiltren bytas ut när så är nödvändigt. För att fettfiltret ska fungera effektivt ska det rengöras, om nödvändigt. För att optimera och reducera bullret till ett minimum, ska kanaliseringssystemets maximala diameter som indikeras i denna handbok användas.

2. Användning

Användning av spishäll

Induktionshällens system grundar sig på det fysiska fenomenet med magnetisk induktion. Det här systemets grundläggande egenskap är att det överför energin från generatorm direkt till kastrullen.

Fördelar:

Jämfört med en elektrisk spishäll är Induktionshällen:

- **Säkrare:** lägre temperatur på glasytan.
- **Snabbare:** kortare tider för uppvärmning av mat.
- **Exaktare:** hällen reagerar omedelbart på era kommandon
- **Effektivare:** 90 % av den upptagna energin förvandlas till värme. När kastrullen tas av hällen, bryts dessutom värmeöverföringen omedelbart vilket eliminerar onödig värmedispersion.

2.1 Kockkärl

Använd endast kastruller som är märkta med symbolen



Viktigt:

för att undvika bestående skador på hällens yta ska följande kockkärl inte användas:

- kockkärl med ojämn botten.
- kockkärl i metall med emaljerad botten.
- kockkärl med skrovlig botten för att undvika att repa hällens yta.
- placera aldrig varma kastruller och stekpannor på hällens kontrollpanel.

2.1.1 Befintliga kockkärl

Induktionstekniken använder magnetism för att alstra värme. Därför måste kockkärlen innehålla järn. Kontrollera med en vanlig magnet om kastrullen innehåller järn. Kockkärl som inte är magnetiska är inte lämpliga för denna typ av matlagning.

2.1.2 Lämplig bottendiameter

VIKTIKT: om kastrullerna inte har rätt mått, tänds inte kokzonerna

För att se minimum diametern för kastrullen som ska användas på varje enskild kokzon, konsultera delen med illustrationerna i denna manualen.

2.2 Energisparning

För att erhålla ett optimalt resultat rekommenderar vi att:

- Använda pannor och kastruller som har samma bottendimension som kokzonen.
- Endast använda pannor och kastruller med plan botten.
- När det är möjligt täcka kockkärlen med ett lock under matlagningen.
- Koka grönsaker, potatis etc. med en liten mängd vatten i syftet att reducera koktiderna.
- Använda tryckkokare för att ytterligare reducera energiförbrukning och koktider.
- Placera kockkärl mitt över kokzonen som är avbildad på spishällen.

Användning av frånluftssug

Frånluftssystemet kan användas i sugversion med extern avledning filtrerande med inre återcirkulation.



Frånluftsversion

Fig.7

Ängoma avleds ut extern genom en rad rörledningar (de ska inhandlas separat) som fästs i den redan medföljande kopplingsflänsen.

Utloppsrorets diameter ska vara likvärdig med kopplingsringens diameter:

- vid rektangulärt utlopp 222 x 89 mm

- vid runt utlopp \varnothing 150 mm (*)

För ytterligare information, se sidan om frånluftsversionens tillbehör i avsnittet med illustrationer i denna handbok.

Fig.7c

Anslut produkten till utloppsror och -öppningar i väggen med en likvärdig diameter som luftutloppet (fkopplingsfläns).

Användning av utloppsror och luftöppningar i väggen med en mindre diameter leder till en minskad frånluftskapacitet och en drastisk ökning av buller.

Vi fransäger oss allt ansvar vad beträffar detta.

- ! Använd en rörledning av minsta omdgängliga längd
- ! Använd en rörledning med så få böjningar som möjligt (maximal böjningsvinkel: 90°)
- ! Undvik drastiska ändringar i ledningens tvärsnitt.



Filtrerande version

Fig. 8

Frånluften kommer att filtreras via särskilda fett- och luftfilter innan den återleds in i rummet.

Produkten levereras med alla nödvändiga delar för en standardinstallation med luftavledning i den främre delen av möbelsockeln.

Fyra batterier med högpresterande keramiska filter med aktivt kol ingår redan i leveransen. De keramiska filtren är innovativa modulära kolfilter som regenererar sig (se avsnittet Underhåll - Filter med aktivt kol i denna handbok).

De kemiska och fysiska egenskaperna gör det möjligt att uppnå en högeffektiv luktabsorbering och ett högt mekaniskt motstånd.

För ytterligare information, se sidan om den filtrerande versionens tillbehör i avsnittet med illustrationer i denna handbok.

Fig. 13b

3. Installation

Såväl den elektriska som den mekaniska installationen ska utföras av behörig personal

Hushållsmaskinen är tillverkad för att byggas in i en arbetsbänk med tjocklek på 2-6 cm, i händelse av TOP installation; 2,5-6 cm i händelse av FLUSH installation.

Minimumavståndet mellan spishällen och väggen ska vara minst 5 cm framtill, minst 4 cm på sidorna och minst 50 cm från köksskåpen ovanför.

OBS = De föreslagna avstånden är indikativa: vid projekteringen av utrymmena, ska kökstillverkarens indikationer iakttas.



3.1 Elektrisk anslutning

Fig. 3

- Gör apparaten strömlös
- Installationen ska utföras av behörig, erfaren personal som känner till gällande föreskrifter angående installation och säkerhet.
- Tillverkaren fransäger sig allt ansvar gentemot personer, djur och föremål i det fall föreskrifterna i detta kapitel inte respekteras.
- Elkabeln ska vara tillräckligt lång för att spishällen ska kunna tas ur bänkskivan
- Kontrollera att den angivna spänningen på märkplåten som är placerad på spishällens undersida överensstämmer med elnätets spänning i hemmet.
- Använd inte förlängningskablar.
- Jordanslutning är obligatorisk enligt lag.
- Jordkabeln ska vara 2 cm längre än övriga kablar.
- I det fall köksapparaten inte är utrustad med en elkabel, använd en kabel med en tvärsnittsarea på minst 2.5 mm² för en effekt på upp till 7200 Watt.; för högre effekter ska tvärsnittsarean vara 4 mm².
- Ingen del av kabeln får uppnå en temperatur som överskrider lokalens temperatur med 50°C.
- Apparaten kommer att vara permanent ansluten till elnätet, därför ska anslutningen med elnätet utföras med en godkänd flerpolig strömbrytare som garanterar en total fränkoppling från nätet i händelse av överspänning enligt klass III. Strömbrytaren ska vara lättillgänglig efter avslutad installation.

OBS : för att ansluta hushållsmaskinen med alternativ anslutning enfasa är det nödvändigt att avlägsna den befintliga kabeln och byta ut den med en annan typ av kabel (medföljer inte) som har följande egenskaper : enfasaanslutning : kabel H05V2V2-F 3G4

Fig. 3a

Observera! Kontrollera innan fläktens krets ansluts med nätspänningen att den fungerar korrekt och att elkabeln är korrekt monterad.

Observera! Byte av elektrisk kabel ska utföras av behörig servicetekniker eller av annan person med liknande kvalificering.

Anmärkning : produkten är utrustad med funktionen Power Limitor (effektbegränsare) vilket gör det möjligt att ställa in en max.energiabsorption i kw

Inställningen ska göras vid avslutningen av produkten till nätförsörjningen (senast 2 minuter därefter). **För inställningssekvensen av Power Limitation (effektbegränsning), se avsnittet Funktion i denna handbok.**

3.2 Montering

Innan installationen påbörjas:

Kontrollera efter att produkten packats upp att inga skador uppstått i samband med transporten. Kontakta återförsäljaren eller servicekontoret i sådant fall innan installationen påbörjas.

Kontrollera att den införskaffade produktens dimensioner är lämpliga för installationsplatsen.

Kontrollera att inget medföljande material (till exempel påsar med skruvar,garantihandlingar etc.) lämnats kvar i emballaget, avlägsna eventuellt och spara det.

Kontrollera också att det finns ett elektriskt uttag i närheten av installationsplatsen.

Förberedelse av köksmöbeln för infällning:

- Produkten kan inte installeras ovanför kylanordningar, diskmaskiner,kakelugnar, ugnar, tvättmaskiner och torktumlare.
- Utför alla utskärningsarbeten i köksmöbeln innan spishällen sätts på plats och avlägsna allt sågspån och rester nogra.

VIKTIGT : använd ett (S), che temperaturbeständigt tätningemedel, upp till 250° ; före installationen ska de bänkytor som ska limmas rengöras noggrant för att ta bort alla ämnen som skulle kunna motverka ett bra fäste (t.ex.: avstrykningsmedel, konserveringsmedel, fetter, olja, damm, rester av äldre tätningbeläggningar osv.); limmet ska fördelas enhetligt över hela ramens omkrets; efter limningen ska det låta torkas i ungefär 24 timmar.

Fig. 1b

OBSERVERA! Det kan uppstå elektriska risker om skruvar och fixeringsanordningar inte installeras enligt dessa instruktioner.

Obs: för en korrekt installation av produkten rekommenderar vi att belägga rörledningarna med ett självhäftande tätningmaterial med följande egenskaper:

- elastisk film i mjuk PVC, med akrylbeläggning
- som efterföljer standarden DIN EN 60454
- flamskyddsmedel
- utmärkt åldringsbeständighet
- beständig mot temperaturstegringar
- användbar på låga temperaturer


ANVÄNDNING AV SPISHÄLL

Innan spishällen sätts i funktion:

Spishällens samtliga funktioner har designats i enlighet med mycket stränga säkerhetsnormer

Därför:

- **Aktiveras inte vissa funktioner, eller inaktiveras automatiskt när kokzonerna saknar kokkärl eller när dessa är felplacerade.**
- I andra fall inaktiveras de aktiverade funktionerna automatiskt efter några sekunder när den valda funktionen kräver en ytterligare inställning som uteblivit (t.ex. "Slå på spishällen" utan "Val av kokzon" och "Arbets temperatur", eller "Läsfunktion" eller "Timer").

 **Observera!** I det fall (till exempel) spishällen används under en lång tidsperiod kan avstängningen av kokzonen fördröjas på grund av restvärmen. På displayen visas symbolen "H" som indikerar att avsvälningssfasen pågår. Vänta tills displayen släcks innan du närmar dig kokzonen.

Kokzonernas display

på displayerna för kokzonerna indikeras följande:

Kokzonen är påslagen	0
Effektnivå	1...9.P
Indikatorlampa för restvärme	H
Kastrullsensor	U
Temperaturkontrollfunktionen är aktiverad	U
Barnläsfunktionen är aktiverad	L
Pausfunktion	
Funktion Automatic Heat UP	A

Hällens funktioner

● Säker aktivering

Produkten aktiveras endast om det finns kokkärl på kokzonerna: uppvärmningsprocessen aktiveras inte eller avbryts om det inte finns några kastruller eller om de tas bort från hällen.

● Kastrullsensor

Produkten avläser automatiskt närvaron av kokkärl på spishällen.

● Säkerhetsavstängning

Utav säkerhetsskäl har varje kokzon en maximal funktionstid som beror på den inställda effektnivån.


● Indikatorlampa för restvärme

Om en eller flera kokzoner stängs av signaleras närvaron av restvärme med en lampa för motsvarande område på displayen, genom symbolen "H".

Funktion

Obs: För att aktivera eventuell funktion ska den önskade zonen först aktiveras.

● Tändning

Tryck på (rör vid)  **PÅ/AV** för spishäll/frånluftssug
Kontrolllampan tänds för att indikera att spishällen/frånluftssugen är klar att användas.

Tryck igen för att stänga av

Obs: Denna funktion är dominerande över samtliga andra funktioner.

● Val av kokzoner

Vidrör (tryck in **Valfältet (3)**) som motsvarar önskad kokzon.

● 9 effektnivåer

Hällen är försedd med 9 effektnivåer

Rör vid och låt fingrarna glida längs **Valfältet (3)**:

Åt höger för att öka effektnivån;

åt vänster för att minska effektnivån;

● Effektbooster

Produkten är utrustad med en ytterligare effektnivå (utöver nivån **9**), vilken förblir aktiv i 10 minuter varefter den återgår till den föregående nivån.

Rör vid och låt fingrarna glida längs **Valfältet (3)** (utöver nivån **9**) och aktivera Power Booster

Effektboosters nivå indikeras på displayen för den valda zonen med symbolen "P".

● **Bridge-zoner**

Kokzonerna kan tack vare Bridge-funktionen (parallellkoppling) fungera parallellt i kombination och skapa en enhetlig zon med samma effektnivå. Denna funktion gör det möjligt att laga mat på ett homogent sätt med stora långpannor och kastruller.

Det går att använda funktionen med den främre kokzonen "**Huvudzon**" i kombination med den bakre kokzonen "**Sekundär zon**"

(för att kontrollera för vilka zoner som denna funktion förutses, se avsnittet med illustrationer i denna handbok).

För att aktivera Bridge-funktionen (parallellkoppling):

Välj samtidigt de två kokzonerna som du vill använda

- Bridge-indikatorn (20) för den "Sekundära" kokzonen tänds



- med hjälp av Valfältet (3) för kokzonen "Master" kommer det att vara möjligt att ställa in Drifts (Effekt) nivå







- för att inaktivera Bridge-funktionen är det tillräckligt att upprepa aktiveringsproceduren

● **Temperaturhanterare**


Temperaturhanteraren är en funktion som tillåter att ställa in den, lämpligaste, förhandsinställda temperaturen, för att erhålla resultatet som du önskar (konsultera tabellen för Temperaturhanteraren i slutet av detta kapitlet.

Välj önskad kokzon.

• Tryck en eller flera gånger in  (4) för att välja den lämpligaste nivån bland de tillgängliga:

	Melting* (Uppotning)	
	Warming* (Uppvärmning) g)	
	Simmer* (Småkoka)	
* Konsultera tabellen Temperaturhanterare i slutet av detta kapitlet..		


• Tryck in på nytt för att stänga av.

På displayen för kokzonen som fungerar med Temperaturhanteraren visas symbolen "

● **Knapplås**

Knapplåset tillåter att blockera kokhällens inställningar, för att undvika ofrivilliga manipuleringar och lämna de redan inställda funktionerna aktiverade.

Aktivering:

- tryck in  (9)
- Lysdioden ovanför knappen tänds för att indikera att aktiveringen verkställts



Upprepa proceduren för att inaktivera.

● **Bamlås**

Bamlåset gör att det går att undvika att barn oavsiktligt får åtkomst till kokzonerna och frånluftsområdet, och förhindrar aktiveringen av funktionerna.

Bamlåset kan endast aktiveras när produkten är på men med kokzonerna (och frånluftsområdet) avstängda.

Aktivering:




- ta bort alla eventuella kokkärl från spishällen
- tryck in och håll intryckta samtidigt  (9) och  (10), en ljudsignal anger att funktionen är aktiverad och ett "L" visas på displayerna (13) och (14).

Upprepa proceduren för att inaktivera.

● **Timer**

Timer-funktionen är en nedräkningsanordning som det går att ställa in samtidigt för varje kokzon (och för frånluftsområdet). När den inställda tiden löpt ut stängs kokzonen (eller frånluftsområdet) automatiskt av och användaren informeras om detta med en särskild ljudsignal.

Aktivering/Justering av Timer-funktionen för spishällen

- Välj kokzon (effekt 1 0).
- Tryck in  (8) för att nå Timer funktionen
- Justera Timerns tidsperiod:
tryck på väljaren , för att öka tiden till den automatiska avstängningen
tryck på väljaren  för att minska tiden till den automatiska avstängningen


Upprepa operationen för övriga kokzoner om så önskas.
Obs: Varje kokzon kan ha en annorlunda Timer inställd. På displayen (15) visas den senast valda kokzonen nedräkning i 10 sekunder, därefter kommer nedräkningen med den lägsta tiden att visas.

När timern har avslutat nedräkningen avges en ljudsignal (under 2 minuter, eller upphör om någon av knapparna på hällen trycks in), medan displayen (15) blinkar, med symbolen "0.00".

Obs: vid sidan av kokzonen, vid användning av timern, visas

symbolen  (19)

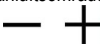
Avstängning av Timern:

- välj kokzon
- ställ in värdet för timern på "0", genom 

Obs! Funktionen förblir aktiverad även om andra knappar under tiden inte trycks ned.

● **Äggtimer**

Äggtimers funktion är en nedräkning som är oberoende av kokzonerna (och frånluftsområdet). Äggtimern aktiveras

genom att trycka in  (8).


Obs : för justering av **Äggtimern** ska ni följa samma procedur som för **Timern**.

När timern har avslutat nedräkningen avges en ljudsignal (under 2 minuter, eller upphör om någon av knapparna på hällen trycks in), medan displayen (15) blinkar, med symbolen "0.00".

● **Paus**

Pausfunktionen tillåter att avbryta vilken som helst aktiverad funktion på hällen och föra effektnivån till noll.

Aktivering:

- tryck in  (10)
- en "P" visas på displayerna (13).

För att inaktivera funktionen:

Obs: denna proceduren återställer spishällens tillstånd före pausen

- tryck in  (10)
- inom 10 sekunder låt fingrarna glida åt höger längs

Valfältet(3), för kokzon 2 (FIG.19):



Obs : om proceduren inte utför inom denna tiden förblir pausfunktionen aktiverad.

Obs: om **inte Pausfunktionen** inaktiveras, stängs spishällen automatiskt av.

● **Recall**

Recall-funktionen tillåter att upprepa alla de utförda inställningarna för hällen, i händelse av oavsiktlig avstängning.

Aktivering:


- **slå på hällen på nytt** 
inom 6 sekunder från avstängningen
- **tryck in **
inom de påföljande 6 sekunderna

● **Automatic Heat UP**

Funktionen Automatic Heat UP tillåter att snabbare nå den inställda effekten, med denna funktionen har vi fördelen att erhålla en snabbare tillagning, men utan risk att bränna vid livsmedlen, eftersom temperaturen inte överskrider den inställda.

Denna funktionen är tillgänglig för effektnivåerna 1 - 8.


Aktivering:

- tryck länge på **Valfältet (3)**, på den önskade effekten
- en "" visas på displayerna (13).



● **Effektbegränsning**

Effektbegränsningsfunktionen gör det möjligt att ställa in produktens funktion och begränsa den maximala energiabsorptionen.

Obs : inställningen ska göras när hällen är avstängd, **utan**

tryck på knappen , vid anslutningen av hällen till elnätet eller vid återanslutning av själva elnätet, inom de påföljande 2 minuterna..

För att ställa in effektbegränsningen:

- tryck in och håll intryckta en lång stund, knapparna 
, tills en kort ljudsignal avges

- glid samtidigt på glidreglagen **FL och RL**

0 1 2 3 4 5 6 7 8 9 P, från vänster till höger,
Och håll intryckt länge vid bokstäverna P, tills en kort ljudsignal avges

Timer displayen (15) visar symbolerna "CF6", för att ange att det är möjligt att utföra inställningen

displayen för **FL-zonen** visar den aktuella inställningen**

0 = 7,4 KW

1 = 4,5 KW

** standardinställningen är ställd till 7,4 KW

- för att ändra inställningen av Effektbegränsningsfunktionen, glid på glidreglaget **FL** 0 1 2 3 4 5 6 7 8 9 P
 - från vänster till höger, för att öka Kw
 - från höger till vänster för att minska Kw

- för att spara det utförda valet, tryck in knapparna



||, i 1 sekund;
en ljudsignal kommer att avges för att bekräfta inträffad inställning och du lämnar funktionen.

ANVÄNDNING AV FRÅNLUFTSSUG

● Tändning

Tryck på (rör vid)  **PÅ/AV för spishäll/frånluftssug**

Kontrolllampan tänds för att indikera att spishällen/frånluftssugen är klar att användas.

Tryck igen för att stänga av

Obs: Denna funktion är dominerande över samtliga andra funktioner.

● Påslagning av frånluftssug

Vidrör (tryck på) **Valfältet (6)** för att aktivera frånluftssugen

● Frånluftshastighet (effekt):

Rör vid och låt fingrarna glida längs **Valfältet (6)**:


åt höger för att öka hastigheten (effekten) för frånluftssugen (0-10);

åt vänster för att minska hastigheten (effekten) för frånluftssugent(10-0);

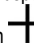
● Timer

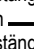
Aktivering/Justering av Timer-funktionen för frånluftssugen

• Välj frånluftssugen (hastighet \neq 0).

• Tryck in  **(8)** för att nå Timer funktionen (från vilken hastighet som helst)


• Justera Timerns tidsperiod:

tryck på väljaren , för att öka tiden till den automatiska avstängningen

tryck på väljaren , för att minska tiden till den automatiska avstängningen

på displayen **(15)** visas nedräkningen,

Obs: vid sidan av frånluftssugets display, vid användning av

timern, visas symbolen  **(19)**

När timern har avslutat nedräkningen avges en ljudsignal (under 2 minuter, eller upphör om någon av knapparna på hällen trycks in), medan displayen **(15)** blinkar, med symbolen "0.00".

Avstängning av Timern:

• välj kokzon

• ställ in värdet för timern på "0", genom 

Obs! Funktionen förblir aktiverad även om andra knappar under tiden inte trycks ned.

● Indikator för filtermättnad

Köksfläkten indikerar när det är nödvändigt att utföra filterunderhåll:

Fettfilter


LED-lampan  **(17)** tänds

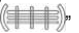
Luktfiler med aktivt kol

LED-lampan  **(17)** blinkar

● Återställning av filtermättnad

Efter att ha utfört underhåll på **filtern** (fett och/eller aktivt kol),

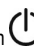
tryck en lång stund in knappen  **(7)** ;

Lysdioden  släcks och låter indikatorns räkning starta om..

● Aktivering av mättnaden för det aktiva kolfiltrets mot lukter


Denna indikatorlampan är normalt sett avaktiverad.

För att aktivera den, gör så här:

- slå på fläktytan genom  ;

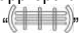
- med avstängd fläktmotor och kokzoner, tryck in och håll

intryckt  **(7)**;

 tänds och släcks sedan för att indikera inträffad aktivering.

● Avaktivering av mättnaden för det aktiva kolfiltret mot lukter

upprepa den ovan beskrivna proceduren, för aktiveringen



 blinkar, och släcks sedan för att indikera inträffad avaktivering.

● Automatisk funktion (Hob2Hood)

Köksfläkten sätts igång på den lämpligaste hastigheten, och anpassar frånluftskapaciteten till kokzonernas effekt.

När kokhällen stängs av, anpassar fläkten sin sughastighet och minskar den gradvis, för att eliminera kvarstående ånga och lukt.

För att aktivera denna funktion:




Tryck kort på  **(7)** , lysdioden  **(18)** tänds för att ange att fläkten arbetar i detta läge.

Odsávač vzduchu je určený na použitie spolu so SYSTÉMOM senzoru Window (ktorý nedodáva výrobca)

Po nainštalovaní systému senzoru Windows (iba v prípade použitia odsávača v ODSÁVACOM režime), odsávanie vzduchu prestane fungovať vždy, keď okno nachádzajúce sa v miestnosti, v ktorej je SYSTÉM nainštalovaný, bude zatvorené.

Odporúčame zakúpiť si SYSTÉM FDS – 100 Elektrotechnik Schabus, ktorý je k dispozícii v servisných strediskách Elektrotechnik Schabus alebo priamo na webovej stránke www.elektrotechnik-schabus.de.

- Elektrické zapojenie SYSTÉMU odsávača vzduchu musí vykonať len kvalifikovaný a špecializovaný odborný technický personál.
- Výrobca odsávača vzduchu nenesie zodpovednosť za prípadné chyby, škody alebo požiare spôsobené poruchami a/alebo problémami s nesprávnou prevádzkou a/alebo nesprávnou inštaláciou SYSTÉMU.

Effektnivå (förinställd)		Beskrivning
	Melting	Väljer en lämplig effektnivå för att försiktigt smälta ömtåliga livsmedel utan att försämra kvaliteten (choklad, smör etc.).
	Warming	Väljer en lämplig effektnivå för att varsamt bibehålla livsmedlets temperatur, utan att nå kokpunkten.
	Simmer	Väljer en lämplig effektnivå för att låta maten koka svagt under längre tid. Används med fördel för tomatsåser, köttfärsåser, grönsakssoppor och håller maten kokande på lämplig nivå (idealisk för kok i vattenbad). Undviker överkok av mat eller att maten bränns vid som är typisk för denna typ av matlagning. Använd denna typ av funktion efter att livsmedlet kokat upp.

4.1 Effekttabell

Effektnivå		Typ av matlagning	Användningsnivå (indikationerna kompletterar egna erfarenheter och matlagningvanor)
Max effekt	Boost	Snabb uppvärmning	Idealisk för att snabbt höja temperaturen på matvaror som skall kokas upp i vatten eller för att snabbt värma vätskor
	8-9	Fritering - kokning	Idealisk för att bryna, starta matlagning, fritera djubfrysta produkter, snabbt koka upp vätskor
Hög effekt	7-8	Bryning, stekning, kokning, grillning	Idealisk för att bryna, hålla livsmedel kraftigt kokande, koka och grilla (korta koktider, 5-10 minuter)
	6-7	Bryning - kokning – stuvning – stekning – grillning	Idealisk för att steka, hålla livsmedel kokande, koka och grilla (medellånga koktider, 10-20 minuter), värma upp kokkärl
Medeleffekt	4-5	Kokning – stuvning – stekning – grillning	Idealisk för att stuva, hålla livsmedel svagt kokande, koka (långa koktider), ihopkokning av pastan med såsen
	3-4	Kokning - sjudning – redning – ostsmältning/ihopkokning (mantecatura)	Idealisk för längre kok, (ris, tomatsås, stekar, fisk) med vätska (t.ex. svatten, vin, buljong, mjölk), ihopkokning av pastan med såsen
	2-3	Kokning - sjudning – redning – ostsmältning/ihopkokning (mantecatura)	Idealisk för långkok (mindre volymer under en liter: ris, tomatsås, stekar, fisk) med vätska (t.ex. vatten, vin, buljong, mjölk)
Låg effekt	1-2	Smältning – upptining – värmebehållning – ostsmältning/ihopkokning (mantecatura)	Idealisk för att mjuka upp smör, smälta choklad, tina upp små mängder livsmedel
	1	Smältning – upptining – värmebehållning – ostsmältning/ihopkokning (mantecatura)	Idealisk för att hålla mindre portioner mat varma direkt efter tillagningen, eller för att hålla uppläggningsfat varma och koka ihop risotton
OFF	Effekt noll	Uppställningsplats	Spishällen står på Standby eller är avstängd (restvärme kan förekomma vilket indikeras med H-L-O)

4.2 Tillagningstabell

Typ av livsmedel	Maträtter eller typ av matlagning	Effektnivåer och tillagningsfaser			
		Prima fase	Potenze	Seconda fase	Potenze
Pasta, ris	Färsk pasta	Uppkokning av vatten	Booster-9	Pastan kokar och Vattnet hålls kokande	7-8
	Färsk pasta	Uppkokning av vatten	Booster-9	Pastan kokar och Vattnet hålls kokande	7-8
	Kokt ris	Uppkokning av vatten	Booster-9	Riset kokar och Vattnet hålls kokande	5-6
	Risotto	Stekning (mirepoix) och risrostning	7-8	Tillagning	4-5
Grönsaker, bönor	Kokning	Uppkokning av vatten	Booster-9	Tillagning	6-7
	Fritering	Uppvärmning av olja	9	Fritering	8-9
	Uppstekning	Uppvärmning av kokkärlet	7-8	Tillagning	6-7
	Stuvning	Uppvärmning av kokkärlet	7-8	Tillagning	3-4
	Stekning (mirepoix)	Uppvärmning av kokkärlet	7-8	Bryning av mirepoix	7-8
Kött	Hel stek	Bryning av köttet (om man bryner med smör används effekt 6)	7-8	Tillagning	3-4
	Grillning	Uppvärmning av kokkärlet	7-8	Grillning på båda sidor	7-8
	Bryning	Bryning i olja (om man bryner med smör används effekt 6)	7-8	Tillagning	4-5
	Långkok/stuvning	Bryning i olja (om man bryner med smör används effekt 6)	7-8	Tillagning	3-4
Fisk	Grillning	Uppvärmning av kokkärlet	7-8	Tillagning	7-8
	Långkok/stuvning	Bryning i olja (om man bryner med smör används effekt 6)	7-8	Tillagning	3-4
	Fritering	Uppvärmning av stekpannan med olja eller annat fett	8-9	Fritering	7-8
Ägg	Frittata	Uppvärmning av stekpannan med smör eller annat fett	6	Tillagning	6-7
	Omelett	Uppvärmning av stekpannan med smör eller annat fett	6	Tillagning	5-6
	Lättkokta/hårdkokta	Uppkokning av vatten	Booster-9	Tillagning	5-6
	Pannkakor	Uppvärmning av stekpannan med smör	6	Tillagning	6-7
Såser	Tomatsås	Bryning med olja (om man bryner med smör används effekt 6)	6-7	Tillagning	3-4
	Ragù	Bryning med olja (om man bryner med smör används effekt 6)	6-7	Tillagning	3-4
	Besciamella	Bottenredning (bryning av smör och mjöl)	5-6	Försiktig uppkokning	3-4
Efterrätter, krämer	Vaniljsås	Koka upp mjölken	4-5	Låt sjuda	4-5
	Pudding	Koka upp mjölken	4-5	Låt sjuda	2-3
	Ris alla Malta	Värm mjölken	5-6	Låt sjuda	2-3

5. Underhåll

Underhåll av spishällen:

Observera! Kontrollera innan någon typ av rengörings- eller underhållsinsgrepp inleds att kokzonerna är avstängda och restvärmeindikatorn är släckt.

5.1 Rengöring

Spishällen ska rengöras efter varje användning.

Viktigt:

Använd inte svampar med slipeffekt eller stålull. Glaset kan med tiden nötas och ta skada.

Använd inte frätande kemiska produkter som till exempel ugnsgrengöringsmedel och fläckbortagningsmedel.

Låt spishällen svalna efter varje användningstillfälle och rengör den därefter från matrester och fläckar på grund av överkok.

Socket och sockerhaltiga livsmedel skadar spishällen och ska därför avlägsnas omedelbart.

Salt, socker och sand kan orsaka repor på glasytan.

Använd en mjuk trasa, hushållspapper eller särskilda rengöringsmedel för spishällar (följ Tillverkarens instruktioner).

ANVÄND INTE ÅNGRENGÖRARE!!!

Viktigt:

Vid oavsiktliga och rikliga utsläpp av vätska från kokkärlet går det att ingripa genom utloppsventilen, som är belägen på produktens undre del för att kunna eliminera alla rester och utföra en rengöring med maximal hygienisk säkerhet.

Fig.18

För en mer genomgående rengöring gör det att ta bort den inre bassängen helt.

Fig.18a - 18b

Underhåll av frånluftssugen

Rengöring

Använd **ENDAST** en trasa fuktad med ett neutralt rengöringsmedel för rengöring. **ANVÄND INTE REDSKAP ELLER INSTRUMENT FÖR RENGÖRING!**

Undvik användning av produkter som innehåller frätande medel.

ANVÄND INTE RENGÖRINGSSPRIT!

Fettfilter

Fig. 15-16

Håller kvar fettpartiklarna från matlagningen.

Det ska rengöras en gång i månaden (eller när systemet som anger filtermättnad indikerar att det finns ett behov), med icke aggressiva rengöringsmedel, för hand eller i en diskmaskin på låg temperatur och kort tvättykel.

Metallfettfiltret kan blekna vid diskning i diskmaskin men dess filtreringsegenskaper ändras inte alls.

Aktiva karbonfilter

(Endast för filtrerande version)


Fig. 17 – 17a – 17b – 17c

Samlar upp de obehagliga lukterna från matlagningen.

Produkten är utrustad med fyra filterbatterier som håller kvar lukterna tack vare aktivt kol. Det aktiva kolet är integrerat i en keramikstruktur, som gör dem lätt och fullständigt åtkomliga för orenheterna och skapar på så sätt en betydande uppsugningsyta.

Mättnaden av "keramikfiltren med aktivt kol", inträffar efter en mer eller mindre långvarig användning, beroende på typen av matlagning och regelbundenheten av rengöring av fettfiltren. Dessa luftfilter kan regenereras termiskt, "var 2/3 månad" i förvärmad ugn, vid 200°C i 45 minuter. Regenereringen tillåter en maximal varaktighet av filtren på 5 år.

5.2 Felsökning

FELKOD	BESKRIVNING	MÖJLIGA ORSAKER	FELÅTGÄRD
E2	Kontrollpanelen stängs av på grund av för hög temperatur	De elektroniska komponenternas invändiga temperatur är för hög	Vänta tills spishällen svalnat innan den kan användas igen
ERR03 + segnale sonora 	En kontinuerlig aktivering (permanent) av knappen, avläses. Gränssnittet stängs av efter 10 sekunder.	Vatten, kastruller eller köksredskap, på användargränssnittet.	Rengör ytan, avlägsna eventuella föremål från hällen.
För alla andra felsignaler (E ... U ...)	Kontakta det tekniska servicekontoret och ange felkoden		

5.3 Servicekontor

Innan ni kontaktar servicekontoret

- 1.Kontrollera att problemet inte går att lösa med hjälp av indikationerna i "Felsökning".
- 2.Stäng av och slå på apparaten för att kontrollera om problemet kvarstår.

Kontakta närmaste Servicekontor i det fall dessa kontroller inte leder till att felet åtgärdas.

www.aeg.com/shop



LIB0126449G Ed. 11/18



AEG