



OWNER'S MANUAL

LG Digital Signage

(MONITOR SIGNAGE)

Please read this manual carefully before operating your set and retain it for future reference.

65EV5C-2
65EV5C-3
65EV5C-2E

TABLE OF CONTENTS

SAFETY PRECAUTIONS3

- Precautions for Installing the Product3
- Precautions for using AC Adapter and Electrical Power5
- Precautions for Moving the Product.....7
- Precautions while Using the Product.....8
- Mounting on a Wall.....9

LICENSES..... 10

ASSEMBLY AND PREPARATION 11

- STORAGE METHOD FOR PANEL PROTECTION..12
- Cautions for connecting Video Wall Panels14
- Installing on the Wall.....15

REMOTE CONTROL 17

MAKING CONNECTIONS..... 19

- Connecting to a PC.....19
- External Device Connection.....19
- Connect a USB Storage Device.....19
- Using the Input List21
- Connecting Multiple Products.....22

TROUBLESHOOTING..... 23

PRODUCT SPECIFICATIONS..... 26

WARNING - This is a class A product. In a domestic environment this product may cause radio interference in which case the user may be required to take adequate measures.

SAFETY PRECAUTIONS

Please read these safety precautions carefully before using the product.

WARNING

If you ignore the warning message, you may be seriously injured or there is a possibility of accident or death.

CAUTION

If you ignore the caution message, you may be slightly injured or the product may be damaged.

WARNING

This product cannot be installed outdoors. Only use the product indoors as installed by the installer.

Precautions for Installing the Product

WARNING

- Keep away from heat sources like electrical heaters.
 - Electrical shock, fire, malfunction, or deformation may occur.
- Keep the packing anti-moisture material or vinyl packing out of the reach of children.
 - Anti-moisture material is harmful if swallowed. If swallowed by mistake, force the patient to vomit and visit the nearest hospital. Additionally, vinyl packing can cause suffocation. Keep it out of the reach of children.
- Do not put heavy objects on the product or sit upon it.
 - If the product collapses or is dropped, you may be injured. Children must pay particular attention.
- Do not leave the power or signal cable unattended on the pathway.
 - The passerby can trip or fall, which can cause electrical shock, fire, product breakdown, or injury.
- Install the product in a neat and dry place.
 - Dust or moisture can cause electrical shock, fire or product damage.
- If you can smell smoke or other odors or hear a strange sound unplug the power cord and contact the service center.
 - If you continue to use without taking proper measures, electrical shock or fire can occur.
- Do not touch the surface to overheat.
- If you dropped the product or the case is broken, turn off the product and unplug the power cord.
 - If you continue to use without taking proper measures, electrical shock or fire can occur. Contact the service center.

- Do not drop an object on or apply impact to the product. Do not throw any toys or objects on the product screen.
 - It can cause injury to human, problem to product and damage the display.
- Do not let the product fall or drop when connecting it with an external device.
 - This may cause injury and/or damage to the product.
- When connecting it to a game device, keep a distance of four times the diagonal measurement of the screen from the device.
 - If the product falls because of the short cable, this may cause injury and/or damage to the product.
- Leaving a fixed image on the screen for a long time may cause damage to the screen and cause image burn-in. To use the product for a long period of time, use a screen saver on the PC or utilize the residual image prevention function on the product, and when the product is not used, turn off the power. Burn-in and related problems are not covered by the warranty on this product.
- Do NOT install this product on a wall where there is high risk of exposure to oil fumes or mist.
 - This may damage product and cause it to fail.

CAUTION

- Make sure the product ventilation holes are not blocked. Install the product in a suitably wide place (more than 100 mm from the wall).
 - If you install the product too close to the wall, it may be deformed or fire can break out due to internal heat.
- Do not block the ventilation hole of the product by a tablecloth or curtain.
 - The product can be deformed or fire can break out due to overheating inside the product.
- Install the product on a flat and stable place that has no risk of dropping the product.
 - If the product is dropped, you may be injured or the product may be broken.
- Install the product where no EMI occurs.
- Keep the product away from direct sunlight.
 - The product can be damaged.
- If you install the product in a place that does not meet the recommended conditions, this may cause serious damage to the product's picture quality, life cycle, and appearance. Please check with LG or a qualified installer before installing. This caution applies to a place where there is an abundance of fine dust or oil mist, chemical substances are used, the temperature is very high or low, the humidity is very high, or the product is likely to remain turned on for a long period of time (airport and train station). failure to do so will invalidate the warranty.
- Do not install the product in an area with poor ventilation (e.g. on a bookshelf, in a closet) or outside and avoid placing on cushions or carpets.
- In addition, do not install it where there are heating objects such as lighting equipment.

Precautions for using AC Adapter and Electrical Power

WARNING

- If water or any foreign substance goes inside the product (TV, monitor, power cord, or AC adapter), disconnect the power cord immediately and contact the service center.
 - Otherwise, this may cause a fire or electric shock due to damage to the product.
- Do not touch the power plug or AC adapter with wet hands. If the pins of the plug are wet or dusty, wipe and dry them before use.
 - Otherwise, this may cause a fire or electric shock.
- Be sure to use power cords and AC adapters provided or approved by LG Electronics, Inc.
 - The use of non-approved products may cause a fire or electric shock.
- When unplugging the power cord, always pull it by the plug. Do not bend the power cord with excessive force.
 - The power line can be damaged, which may cause electric shock or fire.
- Be careful not to step or place heavy objects (electronic appliances, clothing, etc.) on the power cord or AC adapter. Be careful not to damage the power cord or AC adapter with sharp objects.
 - Damaged power cords may cause a fire or electric shock.
- Never disassemble, repair or modify the power cord or AC adapter.
 - This may cause a fire or electric shock.
- Make sure to connect the power cable to the grounded current.
 - You may be electrocuted or injured.
- Use the rated voltage only.
 - The product can be damaged, or you may be electrocuted.
- In the presence of thunder and lightning, never touch the power cord and signal cable because it can be very dangerous.
 - It can cause electric shock.
- Do not connect several extension cords, electrical appliances, or electrical heaters to a single outlet. Use a power strip with a grounding terminal designed for exclusive use with the computer.
 - A fire can break out due to overheating.
- Do not touch the power plug with wet hands. Additionally, if the cord pin is wet or covered with dust, dry the power plug completely or wipe dust off.
 - You may be electrocuted due to excess moisture.

- If you don't intend to use the product for a long time, unplug the power cable from the product.
 - Covering dust can cause a fire, or insulation deterioration can cause electric leakage, electric shock or fire.
- Fix the power cable completely.
 - If the power cable is not completely secured, a fire can break out.
- Do not insert a conductor (like a metal chopstick) into one end of the power cable while the other end is connected to the input terminal on the wall. Additionally, do not touch the power cable right after plugging into the wall input terminal.
 - You may be electrocuted.
- The appliance coupler is used as the disconnect device.
- Please make sure the device is installed near the wall outlet to which it is connected and that the outlet is easily accessible.
- As long as this unit is connected to the AC wall outlet, it is not disconnected from the AC power source even if the unit is turned off.

 **CAUTION**

- Be sure to keep the outlet, AC adapter, and pins of the power plug clean from dust and etc.
 - This may cause a fire.
- Do not unplug the power cord while the product is in use.
 - Electrical shock can damage the product.
- Use only the power cord supplied with the unit. If you use another power cord, make sure that it is certified by the applicable national standards when not provided by the supplier. If the power cable is faulty in any way, please contact the manufacturer or the nearest authorized repair service provider for a replacement.

Precautions for Moving the Product

WARNING

- Make sure to turn off the product.
 - You may be electrocuted or the product can be damaged.
- Make sure to remove all cables before moving the product.
 - You may be electrocuted or the product can be damaged.
- Make sure the panel faces forward and hold it with both hands to move. If you drop the product, the damaged product can cause electric shock or fire. Contact an authorized the service center for repair.
- Make sure the product is turned off, unplugged, and all cables have been removed. It may take 2 or more people to carry larger apparatus. Do not press against or put stress on the front panel of the apparatus.

CAUTION

- Do not shock the product when moving it.
 - You may be electrocuted or the product can be damaged.
- Do not dispose the product-packing box. Use it when you move.
- Do not move the product at your own discretion.
 - This may cause stand warping, panel damage and other types of product damage.
 - Consult a professional company if you wish to move the product.

Precautions while Using the Product

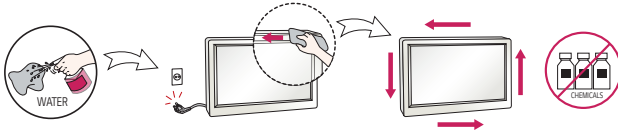
WARNING

- Do not disassemble, repair or modify the product at your own discretion.
 - Fire or electric shock accident can occur.
 - Contact the service center for check, calibration or repair.
- When the display is to be left unattended for an extended period of time, unplug it from the wall outlet.
- Keep the product away from water.
 - Fire or electric shock accident can occur.
- Do not shock or scratch the front and sides of the screen with metallic objects.
 - Otherwise, it may cause damage to the screen.
- Avoid high temperatures and humidity.
- Do not handle the panel without protective gear such as gloves, as the parts where the edges meet are very sharp.

CAUTION

- Do not place or store inflammable substances near the product.
 - There is a danger of explosion or fire due to careless handling of the inflammable substances.
- When cleaning the product, unplug the power cord and scrub gently with a soft cloth to prevent scratching. Do not clean with a wet cloth or spray water or other liquids directly onto the product. An electric shock may occur. (Do not use chemicals such as benzene, paint thinners, or alcohol.)
- Take a break from time to time to protect your vision.
- Keep the product clean at all times.
- Take a comfortable and natural position when working with a product to relax the muscles.
- Take a regular break when working with a product for a long time.
- Do not press strongly upon the panel with a hand or sharp object such as nail, pencil, or pen, or make a scratch on it.
- Keep a proper distance from the product.
 - Your vision may be impaired if you look at the product too closely.
- Set the appropriate resolution and frequency by referring to the User's Guide.
 - Your vision can be impaired.
- Use approved cleaner only when cleaning the product. (Do not use benzene, thinner, or alcohol.)
 - Product can be deformed.
- Do not expose to dripping or splashing and do not place objects filled with liquids, such as vases, cups, etc. on or over the apparatus (e.g. on shelves above the unit).
- Batteries should not be exposed to excessive heat. For example, keep away from direct sunlight, open fireplace, and electric heaters.
- Do NOT place non-rechargeable batteries in charging device.

- Spray water onto a soft cloth 2 to 4 times, and use it to clean the front frame; wipe in one direction only. Too much moisture may cause staining.



- Always wear protective gear such as gloves when cleaning the panel as the parts where the edges meet are very sharp.
- Do not use products using high voltage around the Monitor. (e.g., a bug zapper)
 - Monitor may have malfunction as its electrical shock.

Mounting on a Wall

- Do NOT install this product by yourself as you may injure yourself or cause damage to product. Please contact service personnel authorised by manufacturer.

LICENSES

Supported licenses may differ by model. For more information of the licenses, visit www.lg.com.



The terms HDMI and HDMI High-Definition Multimedia Interface, and the HDMI logo are trademarks or registered trademarks of HDMI Licensing LLC in the United States and other countries.

ASSEMBLY AND PREPARATION

CAUTION

- Always use genuine components to ensure safety and product performance.
- The product warranty will not cover damage or injury caused by the use of counterfeit components.
- Connect the power cord to the product before you plug it into a wall outlet. Plugging the power cord into a wall outlet first may cause an electric shock, which can also damage the product.

NOTE

- The image shown may differ from the actual accessories.
- The accessories provided with your product may vary depending on the model or region.
- Product specifications or contents in this manual may be changed without prior notice due to upgrade of product functions.
- SuperSign Software & Manual
 - Downloading from the LG Electronics website.
 - Visit the LG Electronics website (<http://partner.lge.com>) and download the latest software for your model.
- The warranty will not cover any damage caused by using the product in an excessively dusty environment.

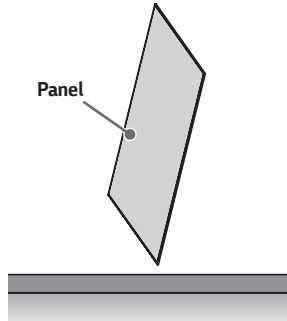
WARNING

- The product warranty does not cover any electrostatic damage to parts that may occur during product installation. Wear the appropriate gear that can prevent electrostatic discharge (ESD) when installing the product.

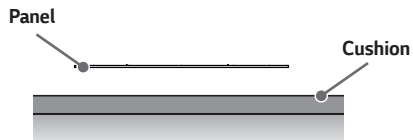
STORAGE METHOD FOR PANEL PROTECTION

Correct Method

- 1 If the product needs to be set upright, hold both sides of the product and make sure that the panel does not touch the floor.

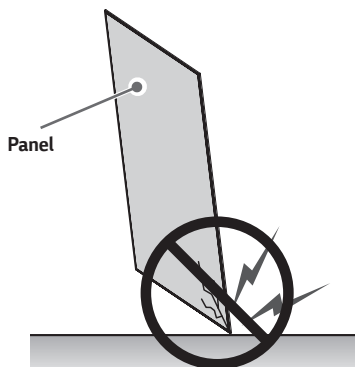


- 2 When laying down the product, lay a cushion on a flat floor. Put the product on it with the panel of the product facing down.

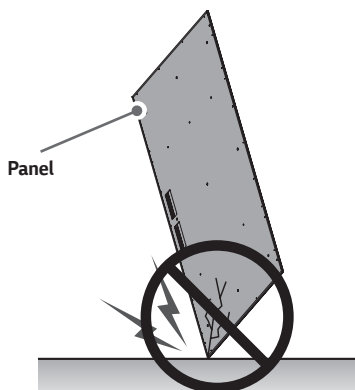


Incorrect Method

- 1 If the product is tilted onto the bezel, the bottom of the panel may be damaged.



- 2 If the product is tilted onto the edge of the panel, the panel may be damaged.



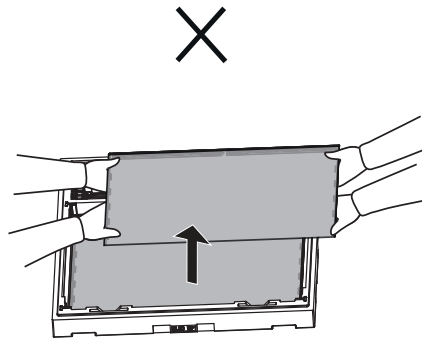
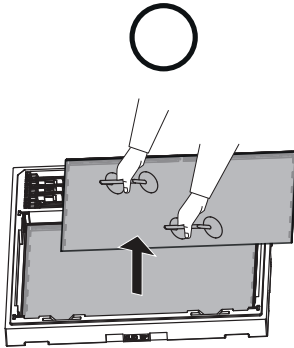
Cautions for connecting Video Wall Panels

- 1 Please use suction cups to secure the display while connecting.



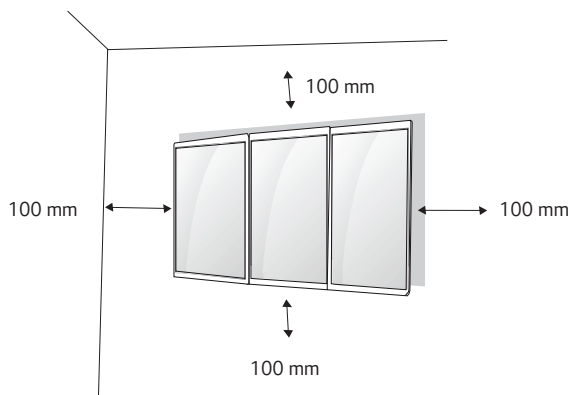
Maximum absorption	10 kg
Handle size	180 mm
Vacuum cup size	85 mm
Anti-static pad (Rubber or Silicon)	

- 2 Do not touch the back-side of panels.



Installing on the Wall

When installing the monitor on the wall, use the screws provided with the product. Install the monitor at least 100 mm away from the surfaces on each side of the monitor to ensure sufficient ventilation. Refer to the installation manual for detailed instructions on installation.



CAUTION

- Disconnect the power cord first, then move or install the monitor. Doing otherwise may cause electric shock.
- If you install the monitor on the ceiling or a slanted wall, it may fall and result in severe injury. Use the provided screws and wall mount, and contact your local dealer or qualified personnel.
- Use of non-standard screws may damage the product's interior.
- Use of non-standard screws may cause product damage or cause the product to fall. LG Electronics is not liable for any such accidents.
- Use screws of the following standards.
 - Wall mount screws: Diameter 5.0 mm (M5), length 10 mm or below, M5 screw head height 2.5 mm or below.

NOTE

- Do not install the product in a location with no ventilation (e.g., on a bookshelf or in a closet) or on a carpet or cushion. If there is no other option but to mount the product on the wall, make sure that sufficient ventilation is provided before installation.
 - Doing otherwise could result in fire due to high internal temperature.
- The illustrations are those of a general installation and may differ from the actual product.

Hanging the product safely on the wall **WARNING**

- If the product is not positioned in a sufficiently stable location, it can be potentially hazardous due to falling. Take note of the following precautions to prevent injury.
 - Only use furniture that can safely support the product.
 - Ensure the product is not overhanging the edge of the supporting furniture.
 - Do not place the product on tall furniture (e.g., cupboards or bookcases) without anchoring both the furniture and the product to a suitable support.
 - Do not place cloth or other materials between the product and supporting furniture.
 - Educate children about the dangers of climbing on the furniture to reach the product or its remote control.
 - Install on a wall where the anchor bolts used in product installation can be Secured in place.
 - Install in a location where the product is provided with safe support. (Concrete, plywood, MDF, etc.)
 - Installing the product on a gypsum wall may cause the wall to collapse.

 **CAUTION**

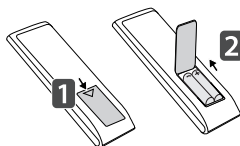
- Make sure that no one climbs on or hangs on the product.

REMOTE CONTROL

This manual describes how to operate the product using the remote control. Please read this manual carefully to use the monitor correctly.

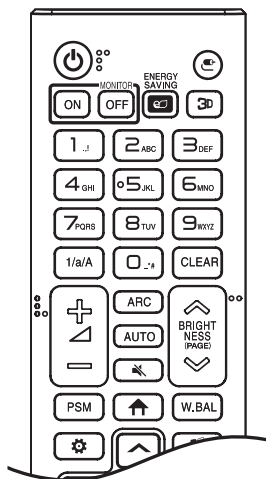
To replace the batteries, open the battery cover, match the \oplus and \ominus ends of the replacement batteries (1.5 V AAA) to the label inside the compartment, and close the battery cover.

To remove the batteries, perform the above procedure in reverse. The image shown may differ from the actual accessories.



CAUTION

- Do not mix old and new batteries, as this may damage the remote control.
- Always point the remote control towards the monitor's infrared receiver.
- Some features of the remote control may not be supported in certain models.



⏻ (POWER) Turns the monitor on or off.

MONITOR ON Turns the monitor on.

MONITOR OFF Turns the monitor off.

ENERGY SAVING e Adjusts the brightness of the screen to reduce energy consumption.

⏮ Selects the input mode.

3D Used for viewing 3D videos.

1/a/A Toggles between numerical and alphabetical mode.

Number and Alphabet Buttons Enters numerical or alphabetical characters depending on the settings.

CLEAR Deletes the entered numerical or alphabetical characters.

Volume Buttons Adjusts the volume.

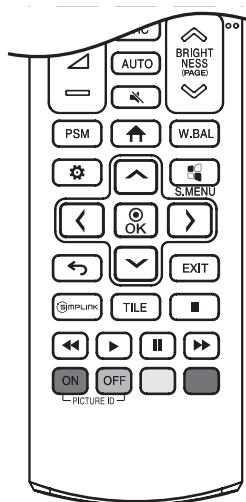
ARC Selects the Aspect Ratio Mode.

AUTO Automatically adjusts the picture position and unstable images. (Only for RGB input.)

🔇 Mutes all sounds.

BRIGHTNESS Adjusts the brightness with the up/down buttons on the remote control.

PAGE This function is not supported by the current model.



PSM Selects the Picture Status Mode.

▲ Activates the Launcher.

W.BAL Press to enter the White Balance menu.

⚙️ Press to access the main menu and save or turn off settings.

S.MENU The Super Sign menu key.

Navigation Buttons Press to navigate the menus or options.

⊙/OK Selects menus or options and confirms your input.

↶ Allows you to move back one step in the user interaction function.

EXIT Exits all OSD tasks and applications.

SIMPLINK Allows you to control various multimedia devices with ease using only the remote control through the SIMPLINK menu.

TILE Selects tile mode.

PICTURE ID ON/OFF When multiple monitors are connected, you can choose to control a specific monitor if the Set ID matches the Picture ID.

USB Menu Control Buttons Controls playback of media.

MAKING CONNECTIONS

You can connect various external devices to your monitor. Change the input mode and select the external device you want to connect. For more information about external device connections, see the user manual provided with each device.

Connecting to a PC

Some of the cables are not provided. This monitor supports the Plug and Play* feature.

* Plug and Play: a feature that enables a PC to recognize devices attached by the user without device configuration or user intervention when powering up.

External Device Connection

Some of the cables are not provided. Connect a HD receiver, DVD, or VCR player to the monitor and select an appropriate input mode.

For the best picture and sound quality, connecting external devices to your monitor using HDMI cables is recommended.

Connect a USB Storage Device

Devices using a power source such as the USB HDDs are not supported.

Some USB devices may not work if it does not meet the USB 3.0 standards.

NOTE

- It is recommended you use an HDMI connection for the best monitor image quality.
- To comply with the standard specifications of the product, make sure to use a shielded interface cable made with a ferrite core for the HDMI cable.
- If you turn the monitor on when it is cold, the screen may flicker. This is normal.
- Sometimes red, green, or blue spots may appear on the screen. This is normal.
- Use a high-speed HDMI®/™ cable. (3 m or less.)
- Use a certified cable with the HDMI logo attached. If you do not use a certified HDMI cable, the screen may not display any images or a connection error may occur.
- Recommended HDMI cable types
 - High-speed HDMI®/™ cables
 - High-speed HDMI®/™ Ethernet cables
- If you want to enable HDMI-PC mode, you must set PC/DTV to PC mode.
- You may experience a compatibility problem if you use HDMI-PC mode.
- Make sure the monitor's power cable is disconnected.
- If you wish to connect a gaming device to the monitor set, use the cable supplied with the gaming device.

CAUTION

- Do not press the screen with your finger for an extended period of time as this may result in temporary distortion of the screen.
- Avoid displaying static images on the screen for a long period of time to prevent image sticking. Use a screensaver if possible.
- Abnormalities can occur in video playback when using wireless devices near the monitor.

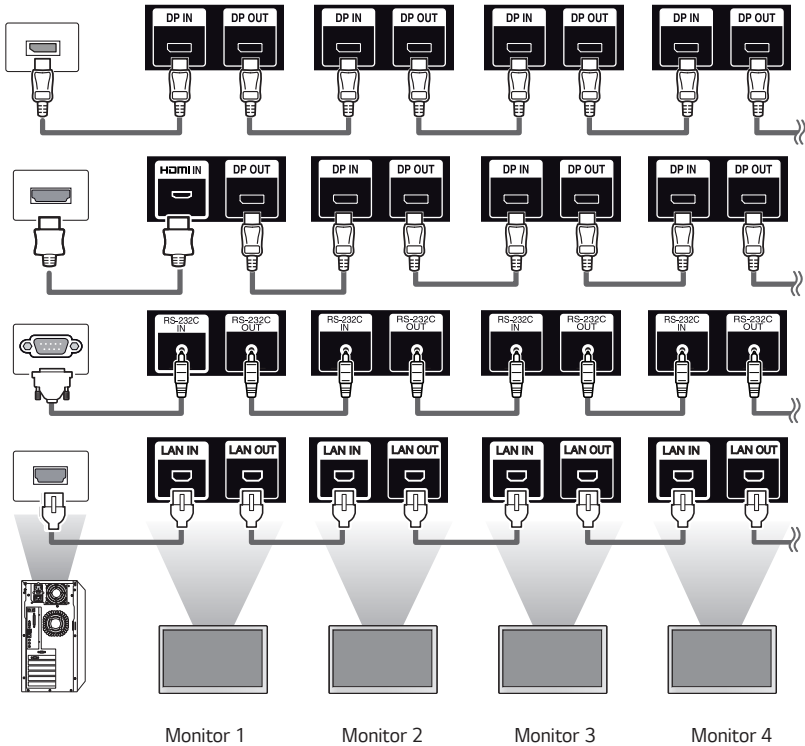
Using the Input List



- HDMI → DISPLAYPORT → USB

Connecting Multiple Products

To use multiple products connected to each other, connect one end of the signal input cable (DP cable) to the DP Out connector of Monitor 1 and connect the other end to the DP In connector of a connected product.



! NOTE

- If the signal cable connecting the product to your PC is too long, make sure to use a booster or optical cable.
- Daisy chaining the video output may be limited depending on the performance of the input device that supports HDCP.

TROUBLESHOOTING

No image is displayed.

Problem	Action
Is the product power cord connected?	<ul style="list-style-type: none"> Check if the power cord is correctly plugged into the power outlet.
Does the "Invalid Format" message appear?	<ul style="list-style-type: none"> The signal from the PC (Graphics card) is out of the vertical or horizontal frequency range of the product. Adjust the frequency range by referring to the Specifications in this manual.
Does the "No Signal" message appear?	<ul style="list-style-type: none"> The signal cable between PC and product is not connected. Check the signal cable. Press the INPUT menu in the remote control to check the input signal.

The "Unknown Product" message appears when the product is connected.

Problem	Action
Did you install the driver?	<ul style="list-style-type: none"> Check if the Plug and Play function is supported by referring to the graphics card user manual.

The screen image looks abnormal.

Problem	Action
Is the screen position wrong?	<ul style="list-style-type: none"> Check if the graphics card resolution and frequency are supported by the product. If the frequency is out of range, set to the recommended resolution in the [Control Panel] → [Display] → [Setting] menu. (The settings may differ depending on your operating system.)
The screen is displayed abnormally.	<ul style="list-style-type: none"> The proper input signal is not connected to the signal port. Connect the signal cable that matches with the source input signal.

The screen color is strange.

Problem	Action
The screen has low color resolution (16 colors).	<ul style="list-style-type: none"> • Set the color resolution to 24 bits (true color) or higher. Use the [Control Panel] → [Display] → [Settings] → [Color Table] menu in Windows. (The settings may differ depending on your operating system.)
The screen color is unstable or mono-colored.	<ul style="list-style-type: none"> • Check the connection status of the signal cable. You can also re-insert your PC graphics card.
Do black spots appear on the screen?	<ul style="list-style-type: none"> • Several color pixels (red, green, blue, white, or black) may appear on the screen, which may be caused by the unique characteristics of OLED panels. It is not a malfunction of your OLED monitor.

The monitor does not work properly.

Problem	Action
The power suddenly turned off.	<ul style="list-style-type: none"> • Had the timer been set? • Check the power control settings. The power supply has been interrupted. • Are the fans functioning properly? <ul style="list-style-type: none"> - View the fan status in HOME → Information → Fan Status.

 **CAUTION**

- Image sticking may occur when displaying a fixed image for an extended period of time. It is recommended that you display videos for 12 hours or less per day to decrease the likelihood of image sticking.
- A few horizontal lines may appear on the screens while running the Clear Panel Noise feature (OFF-RS). This is normal, so there is no need for concern. Turning the power on while the Clear Panel Noise feature (OFF-RS) is operating may cause the product to malfunction. Turn the power on when the Power Indicator LED stops flashing and remains on.
- OFF-RS: Removes image sticking through TFT degradation compensation. Runs after 4 hours of use.
JB: Removes image sticking through OLED degradation compensation. Runs after 2000 hours of use.

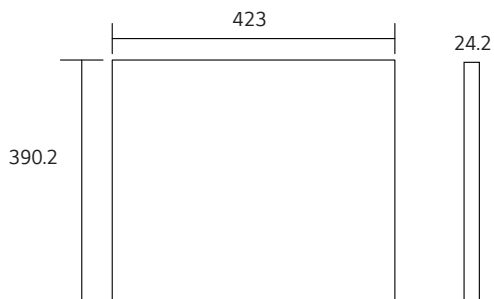
PRODUCT SPECIFICATIONS

The product specifications below may change without prior notice to improve the features of the product.

The symbol ~ refers to alternating current, and ≋ refers to direct current.

OLED panel	Screen type	Thin Film Transistor (TFT) OLED panel
Operating conditions	Daily usage	12 hours (video)
Video signal	Maximum resolution	HDMI/DisplayPort: 3840 x 2160 @ 30 Hz - This may not be supported on some operating system or graphics card types.
	Recommended resolution	HDMI/DisplayPort: 3840 x 2160 @ 30 Hz - This may not be supported on some operating system or graphics card types.
	Horizontal frequency	HDMI/DisplayPort: 30 kHz to 83 kHz
	Vertical frequency	HDMI/DisplayPort: 23 Hz to 71 Hz
	Synchronization	Digital
Input/output	HDMI IN, DP IN, DP OUT, USB 3.0 IN 5 V ≋ 0.9 A, LAN IN, LAN OUT, IR IN, RS-232C IN/OUT	
Embedded battery	Applied	
Environmental conditions	Operation temp.	0°C to 40°C
	Operating humidity	10% to 80%
	Storage temp.	-20°C to 60°C
	Storage humidity	5% to 95%
OLED panel	Pixel pitch	0.372 mm (H) x 0.372 mm (V)
Power	Rated power	AC 100-240 V to 50/60 Hz 4.5 A
	Power consumption (1x1, one side)	On Mode: 230 W (Typ.) Energy Saving (HDMI, DisplayPort): ≤ 3.0 W Off Mode: ≤ 0.5 W
Dimensions (Width x Height x Depth) / Weight	Display	65EV5C-3: 2452 mm x 1450.5 mm x 7.9 mm / 78.9 kg 65EV5C-2: 1639 mm x 1450.5 mm x 7.9 mm / 52.6 kg
	Main box	423 mm x 390.2 mm x 24.2 mm
	PSU box	523 mm x 243 mm x 56 mm

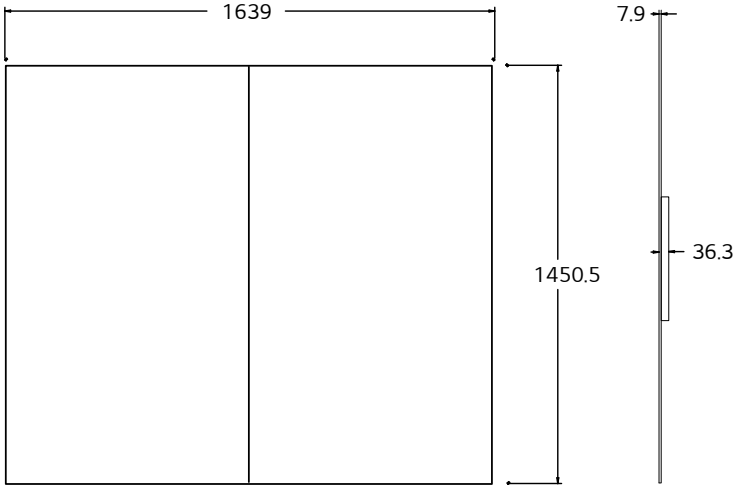
[Unit: mm]

Main box**PSU box**

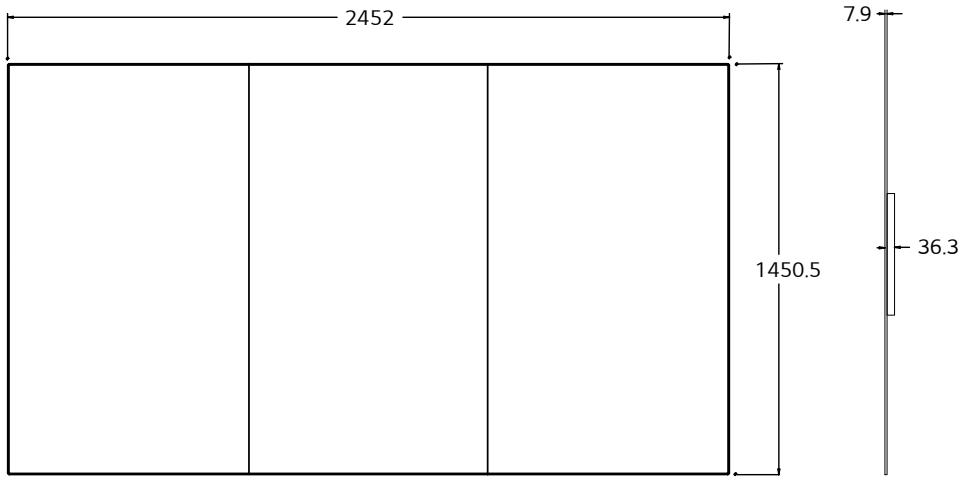
Display

[Unit: mm]

65EV5C-2 (1 x 2)



65EV5C-3 (1 x 3)



HDMI/DisplayPort (PC) supported modes

Resolution	Horizontal Frequency (kHz)	Vertical Frequency (Hz)	
800 x 600	37.879	60.317	
1024 x 768	48.363	60.0	
1280 x 720	45	60	
1366 x 768	47.712	59.79	
1280 x 1024	63.981	60.02	
1920 x 1080	67.5	60	
3840 x 2160	67.5	30	Only applies to HDMI, DisplayPort.

HDMI/DisplayPort (DTV) supported modes

Resolution	Horizontal Frequency (kHz)	Vertical Frequency (Hz)
576/50p	31.25	50
720/50p	37.5	50
720/60p	45	60
1080/50i	28.1	50
1080/60i	33.75	60
1080/50p	56.25	50
1080/60p	67.432	59.94
1080/60p	67.5	60
2160/30P	67.5	30

! **NOTE**

- PC resolutions available for the Input Label option in HDMI input modes: 640 x 480 / 60 Hz; 1280 x 720 / 60 Hz; 1920 x 1080 / 60 Hz; DTV resolutions: 480p, 720p and 1080p.
- Vertical frequency: To enable the user to view the monitor display, the screen image must change dozens of times every second like a fluorescent lamp. The vertical frequency or refresh rate is the number of times the image display is repeated per second. The unit is Hz.
- Horizontal frequency: The time it takes to display one horizontal line is called the horizontal interval. When 1 is divided by the horizontal interval, the number of horizontal lines displayed every second can be tabulated as the horizontal frequency. The unit is kHz.



Make sure to read the Safety Precautions before using the product.

The model and serial numbers of the SET are located on the back and one side of the SET. Record it below should you ever need service.

MODEL _____

SERIAL _____

Temporary noise is normal when powering ON or OFF this device.