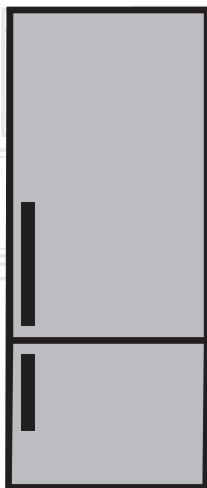


Refrigerator

User manual



RCNE520E32X	RCNE520E31S	RCNE520E32DJX
RCNE520E31DW	RCNE520K21DS	RCNE520E30JGB
RCNE520E31DS	RCNE520K21DW	
RCNE520E31W	RCNE520E41ZX	

ENFRIDE

beko

Please read this manual before using the product!

Dear Customer,

We'd like you to make the best use of our product, which has been manufactured in modern facilities with care and meticulous quality controls.

Thus, we advise you to read the entire user manual before you use the product. In case the product changes hands, do not forget to hand the guide to its new owner along with the product.

This guide will help you use the product quickly and safely.

- Please read the user guide carefully before installing and operating the product.
- Always observe the applicable safety instructions.
- Keep the user guide within easy reach for future use.
- Please read any other documents provided with the product.

Keep in mind that this user guide may apply to several product models. The guide clearly indicates any variations of different models.

	Important information and useful tips.
	Risk of life and property.
	Risk of electric shock.
	The product's packaging is made of recyclable materials, in accordance with the National Environment Legislation.

1 Safety and environment instructions

1.1. General safety	3
1.1.1 HC warning	5
1.1.2 For models with water dispenser	5
1.2. Intended use	5
1.3. Child safety	6
1.4. Compliance with WEEE Directive and Disposing of the Waste Product	6
1.5. Compliance with RoHS Directive	6
1.6. Package information	6

2 Your Refrigerator

3 Installation

3.1. Right place for installation	8
3.2. Attaching the plastic wedges	8
3.3. Adjusting the stands	8
3.4. Power connection	9
3.5. Reversing the doors	10
3.6. Reversing the doors	11

4 Preparation

4.1. What to do for energy saving	12
4.2. First Use	12

5 Using the product

5.1. Temperature adjustment button	13
5.2. Rapid freezing	13
5.3. Vacation function	14
5.4. Indicator panel	15
5.5. Indicator panel	17
5.6. Ice bucket	20
5.7. Egg holder	20
5.8. Fan	20
5.9. Vegetable bin	20
5.10. Zero degree compartment	20
5.11. Moving door rack	21
5.12. Sliding storage box	21
5.13. Moisture controlled vegetable bin	22
5.14. Automatic ice machine	22
5.15. Icematic and ice storage container	23
5.16. Using the water dispenser	23
5.17. Filling the water dispenser's tank	24
5.18. Cleaning the water tank	25
5.19. Drip tray	26
5.20. Freezing fresh food	27
5.21. Recommendations for storing frozen foods	27
5.22. Deep freezer details	28
5.23. Placing the food	28
5.24. Door open alert	28
5.25. Changing the opening direction of the door	28
5.26. Interior light	28

6 Maintenance and cleaning

6.1. Avoiding bad odors	29
6.2. Protecting the plastic surfaces	29
6.3. Door Glasses	29

7 Troubleshooting

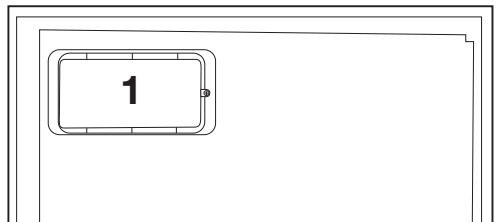
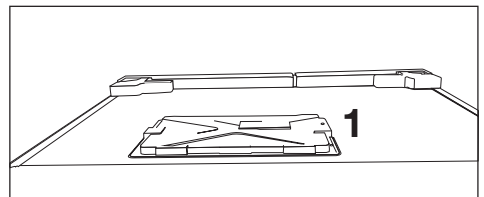
1 Safety and environment instructions

This section provides the safety instructions necessary to prevent the risk of injury and material damage. Failure to observe these instructions will invalidate all types of product warranty.

1.1. General safety

- This product should not be used by persons with physical, sensory and mental disabilities, without sufficient knowledge and experience or by children. The device can only be used by such persons under supervision and instruction of a person responsible for their safety. Children should not be allowed to play with this device.
- In case of malfunction, unplug the device.
- After unplugging, wait at least 5 minutes before plugging in again.
- Unplug the product when not in use.
- Do not touch the plug with wet hands! Do not pull the cable to plug off, always hold the plug.
- Wipe the power plug's tip with a dry cloth before plugging in.
- Do not plug in the refrigerator if the socket is loose.

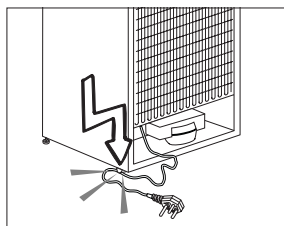
- Unplug the product during installation, maintenance, cleaning and repair.
- If the product will not be used for a while, unplug the product and remove any food inside.
- Do not use the product when the compartment with circuit cards located on the upper back part of the product (electrical card box cover) (1) is open.



- Do not use steam or steamed cleaning materials for cleaning the refrigerator and melting the ice inside. Steam may contact the electrified areas and cause short circuit or electric shock!
- Do not wash the product by spraying or pouring water on it! Danger of electric shock!

Safety and environment instructions

- In case of malfunction, do not use the product, as it may cause electric shock. Contact the authorized service before doing anything.
- Plug the product into an earthed socket. Earthing must be done by a qualified electrician.
- If the product has LED type lighting, contact the authorized service for replacing or in case of any problem.
- Do not touch frozen food with wet hands! It may adhere to your hands!
- Do not place liquids in bottles and cans into the freezer compartment. They may burst out!
- Place liquids in upright position after tightly closing the lid.
- Do not spray flammable substances near the product, as it may burn or explode.
- Do not keep flammable materials and products with flammable gas (sprays, etc.) in the refrigerator.
- Do not place containers holding liquids on top of the product. Splashing water on an electrified part may cause electric shock and risk of fire.
- Exposing the product to rain, snow, sunlight and wind will cause electrical danger. When relocating the product, do not pull by holding the door handle. The handle may come off.
- Take care to avoid trapping any part of your hands or body in any of the moving parts inside the product.
- Do not step or lean on the door, drawers and similar parts of the refrigerator. This will cause the product to fall down and cause damage to the parts.
- Take care not to trap the power cable.



Safety and environment instructions

1.1.1 HC warning

If the product comprises a cooling system using R600a gas, take care to avoid damaging the cooling system and its pipe while using and moving the product. This gas is flammable. If the cooling system is damaged, keep the product away from sources of fire and ventilate the room immediately.



The label on the inner left side indicates the type of gas used in the product.

1.1.2 For models with water dispenser

- Pressure for cold water inlet shall be maximum 90 psi (6.2 bar). If your water pressure exceeds 80 psi (5.5 bar), use a pressure limiting valve in your mains system. If you do not know how to check your water pressure, ask for the help of a professional plumber.
- If there is risk of water hammer effect in your installation, always use a water hammer

prevention equipment in your installation. Consult Professional plumbers if you are not sure that there is no water hammer effect in your installation.

- Do not install on the hot water inlet. Take precautions against the risk of freezing of the hoses. Water temperature operating interval shall be 33°F (0.6°C) minimum and 100°F (38°C) maximum.
- Use drinking water only.

1.2. Intended use

- This product is designed for home use. It is not intended for commercial use.
- The product should be used to store food and beverages only.
- Do not keep sensitive products requiring controlled temperatures (vaccines, heat sensitive medication, medical supplies, etc.) in the refrigerator.

Safety and environment instructions

- The manufacturer assumes no responsibility for any damage due to misuse or mishandling.
- Original spare parts will be provided for 10 years, following the product purchasing date.

1.3. Child safety

- Keep packaging materials out of children's reach.
- Do not allow the children to play with the product.
- If the product's door comprises a lock, keep the key out of children's reach.

1.4. Compliance with WEEE Directive and Disposing of the Waste Product

This product complies with EU WEEE Directive (2012/19/EU). This product bears a classification symbol for waste electrical and electronic equipment (WEEE).



This product has been manufactured with high quality parts and materials which can be reused and are suitable for recycling. Do not dispose of the waste product with normal domestic and other wastes at the end of its service life. Take it to the collection center for the recycling of electrical and electronic equipment. Please consult your local authorities to learn about these collection centers.

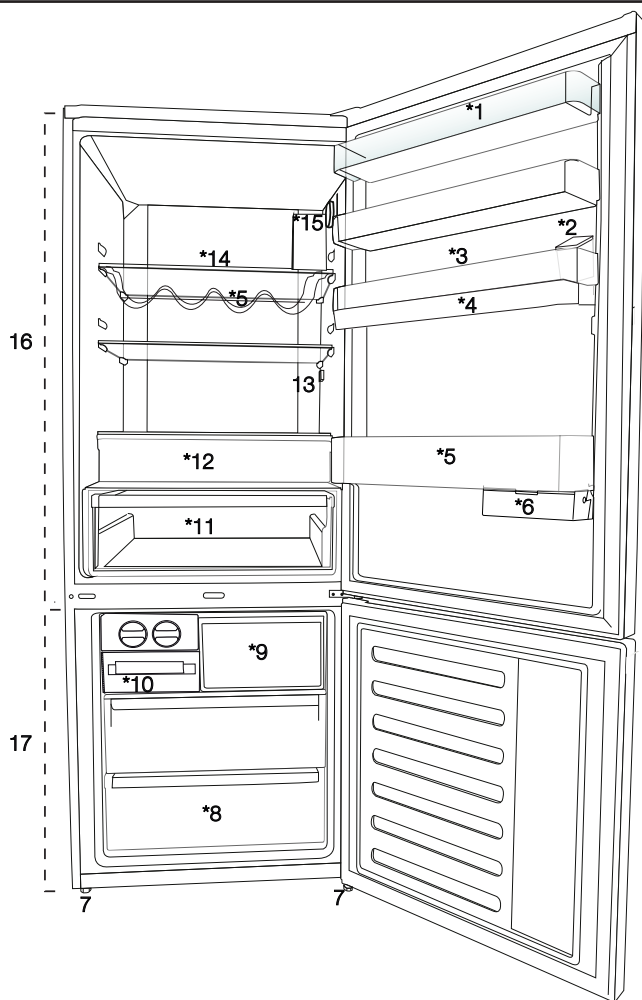
1.5. Compliance with RoHS Directive

- This product complies with EU WEEE Directive (2011/65/EU). It does not contain harmful and prohibited materials specified in the Directive.

1.6. Package information

- Packaging materials of the product are manufactured from recyclable materials in accordance with our National Environment Regulations. Do not dispose of the packaging materials together with the domestic or other wastes. Take them to the packaging material collection points designated by the local authorities.

2 Your Refrigerator



1. Cooler compartment door shelf
2. Water dispenser filling tank
3. Egg section
4. Water dispenser reservoir
5. Bottle shelf
6. Sliding storage box
7. Adjustable legs
8. Deep freezer compartment
9. Quick freeze compartment
10. Ice cube tray & Ice bank
11. Vegetable bin
12. Zero degree compartment
13. Interior light
14. Cooler compartment glass shelf
15. Temperature adjustment button
16. Cooler compartment
17. Freezer compartment



***optional:** Pictures given in this manual are given as example figures and they may not be exactly the same as your product. If your product does not comprise the relevant parts, the information pertains to other models.

3.1. Right place for installation

Contact the Authorized Service for the product's installation. To ready the product for installation, see the information in the user guide and make sure the electric and water utilities are as required. If not, call an electrician and plumber to arrange the utilities as necessary.



WARNING: The manufacturer assumes no responsibility for any damage caused by the work carried out by unauthorized persons.



WARNING: The product's power cable must be unplugged during installation. Failure to do so may result in death or serious injuries!



WARNING: If the door span is too narrow for the product to pass, remove the door and turn the product sideways; if this does not work, contact the authorized service.

- Place the product on a flat surface to avoid vibration.
- Place the product at least 30 cm away from the heater, stove and similar sources of heat and at least 5 cm away from electric ovens.
- Do not expose the product to direct sunlight or keep in damp environments.
- The product requires adequate air circulation to function efficiently.
- If the product will be placed in an alcove, remember to leave at least 5 cm distance between the product and the ceiling and the walls.
- Do not install the product in environments with temperatures below -5°C .

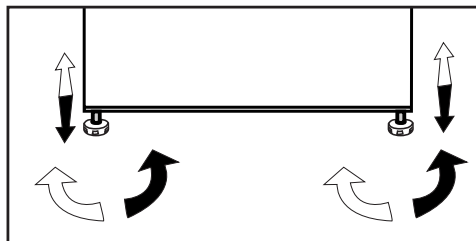
3.2. Attaching the plastic wedges

Use the plastic wedges in the provided with the product to provide sufficient space for air circulation between the product and the wall.

1. To attach the wedges, remove the screws on the product and use the screws provided with the wedges.
2. Attach 2 plastic wedges on the ventilation cover as shown in the figure.



3.3. Adjusting the stands

If the product is not in balanced position, adjust the front adjustable stands by rotating right or left.



Installation

3.4. Power connection

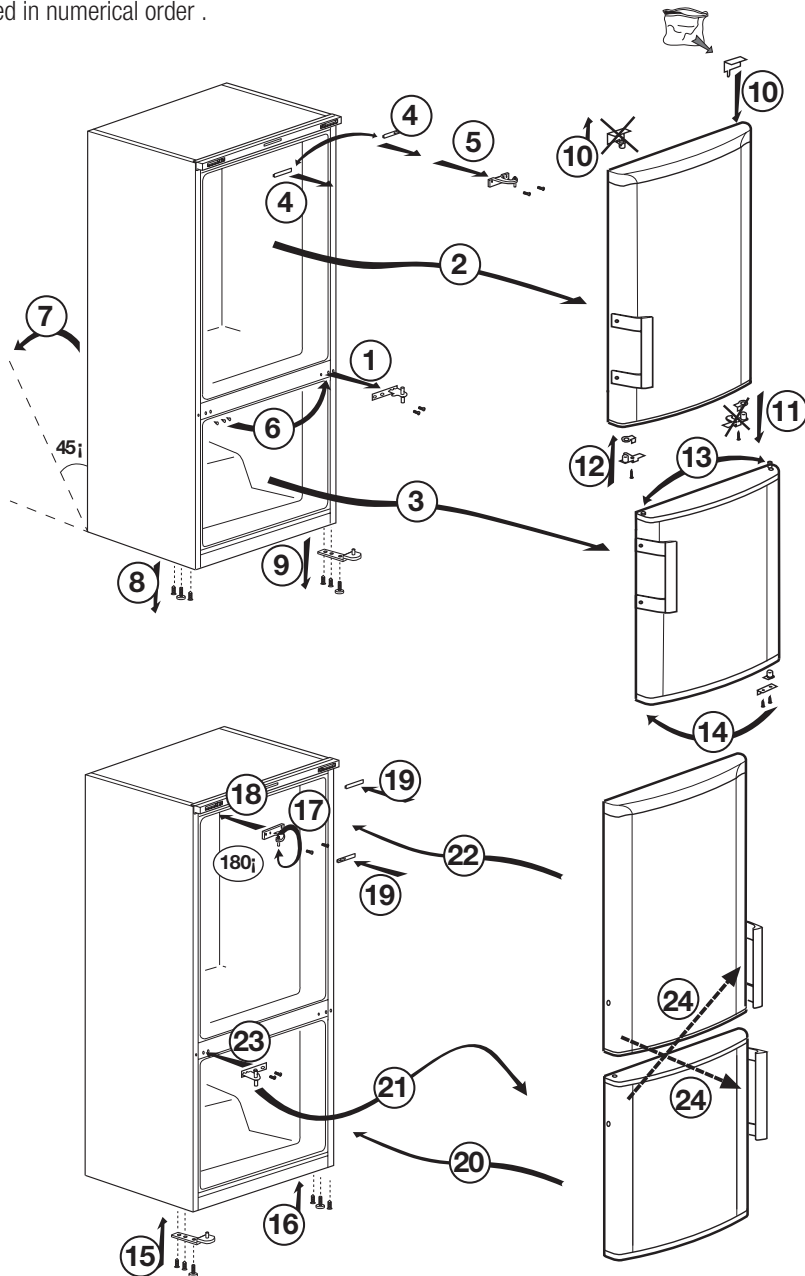
	WARNING: Do not use extension or multi sockets in power connection.
	WARNING: Damaged power cable must be replaced by Authorized Service.
	When placing two coolers in adjacent position, leave at least 4 cm distance between the two units.

- Our firm will not assume responsibility for any damages due to usage without earthing and power connection in compliance with national regulations.
- The power cable plug must be easily accessible after installation.
- Connect the refrigerator to an earthed socket with 220-240V/50 Hz voltage. The plug must comprise a 10-16A fuse.
- Do not use multi-group plug with or without extension cable between the wall socket and the refrigerator.

Installation

3.5. Reversing the doors

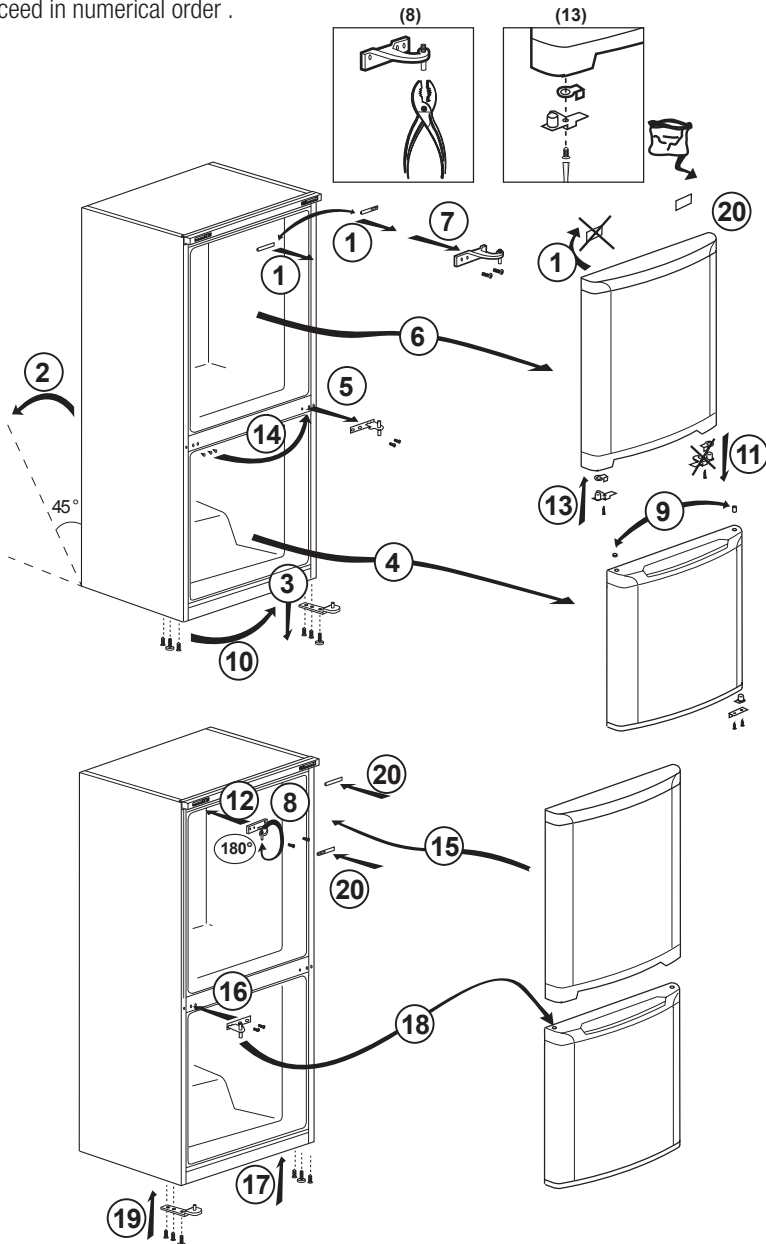
Proceed in numerical order .



Installation

3.6. Reversing the doors

Proceed in numerical order .



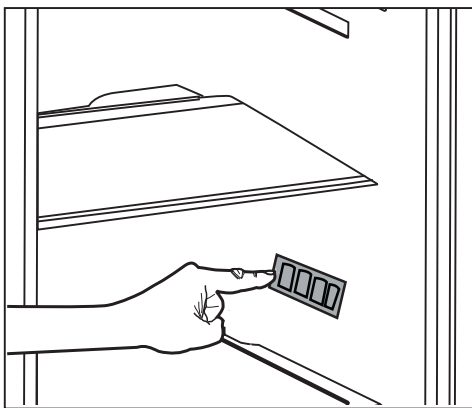
4.1. What to do for energy saving



Connecting the product to electronic energy-saving systems is harmful, as it may damage the product.

- Do not keep the refrigerator doors open for long periods.
- Do not place hot food or beverages into the refrigerator.
- Do not overfill the refrigerator; blocking the internal air flow will reduce cooling capacity.
- In order to store the maximum amount of food into the cooler compartment of your refrigerator, you should take out the upper drawers and place it onto the glass rack. The declared energy consumption of your refrigerator was determined by taking out the cooler, ice tray and upper drawers in a way that will enable maximum storage. Using the below drawer when storing is strongly recommended. Energy saving function should be activated for best energy consumption.
- You should not block the airflow by putting food in front of the cooler fan. A space of minimum 3cm must be left in front of the protective fan wire when placing food.
- Depending on the product's features; defrosting frozen foods in the cooler compartment will ensure energy saving and preserve food quality.
- Food should be stored using the drawers in the cooler compartment in order to ensure energy saving and protect food in better conditions.
- Food packages should not be in direct contact with the heat sensor located in the cooler compartment. If they are in contact with the sensor, energy consumption of the appliance might increase.

- Make sure the foods are not in contact with the cooler compartment temperature sensor described below.



4.2. First Use

Before using your refrigerator, make sure the necessary preparations are made in line with the instructions in "Safety and environment instructions" and "Installation" sections.

- Keep the product running with no food inside for 6 and do not open the door, unless absolutely necessary.



A sound will be heard when the compressor is engaged. It is normal to hear sound even when the compressor is inactive, due to the compressed liquids and gasses in the cooling system.



Front edges of the product might heat up. This is normal. These areas are designed to warm up in order to prevent condensation.



In some models indicator panel turns off automatically 5 minutes after the door closes. It will be reactivated when the door is open or any button is pressed.

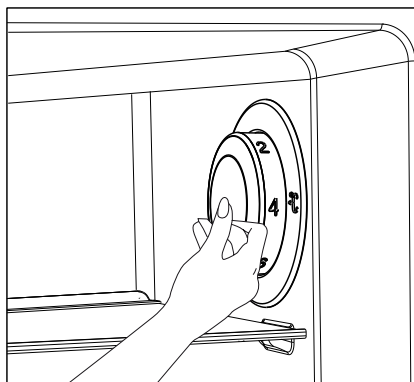
5.1. Temperature adjustment button

Internal temperature of your refrigerator varies depending on the following reasons:

- Seasonal temperatures,
- Opening the door frequently and leaving it open for long periods,
- Meals put into the refrigerator without being cooled to room temperature,
- Location of the refrigerator in the room (e.g. exposed to sunshine).
- Internal temperature varying due to these factors can be adjusted via the adjustment button.

Numbers around the adjustment button indicate temperature degrees as "°C".

If the ambient temperature is 20°C, it is recommended to use the refrigerator temperature adjustment at 4°C. In other ambient temperatures this value can be customised.

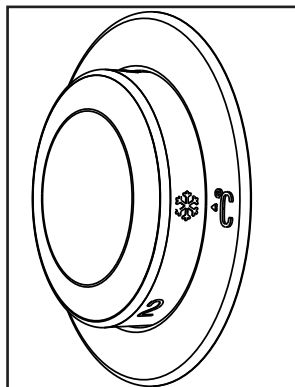


5.2. Rapid freezing

If you want to freeze large amounts of fresh food, switch the temperature adjustment button to (❄️) position before putting the food into the quick freezing compartment.


It is recommended to keep the button at this position for 24 hours to freeze maximum amount of food indicated as the freezing capacity. Pay special attention not to mix food stored as frozen and fresh food.

Remember to switch the temperature adjustment button back to its previous position.

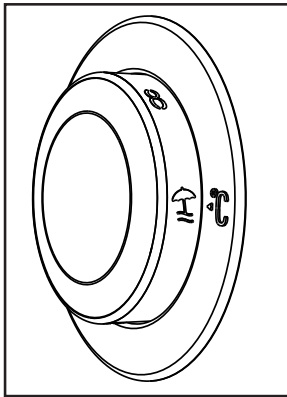


Using the product

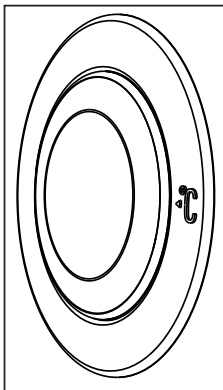
5.3. Vacation function

If doors of the product is not () opened for at least 12 hours after adjusting the temperature setting button to the highest, vacation function is automatically activated. Button setting must be changed to cancel the function.

It is not recommended to store food in the cooler compartment when vacation function is activated.



- After setting is completed, you can conceal the temperature setting button by pressing it inside.

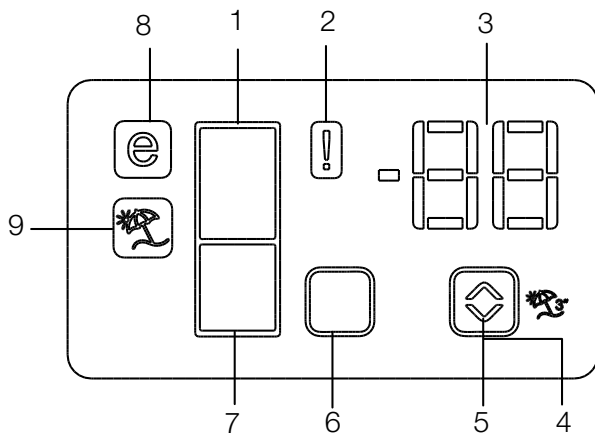


Using the product

5.4. Indicator panel

Indicator panels may vary according to the product model.

Audio – visual functions on the indicator panel helps you in using your product.



1. Fridge Compartment Indicator
2. Error status indicator
3. Temperature indicator
4. Vacation function button
5. Temperature setting button
6. Compartment selection button
7. Freezer compartment indicator
8. Economy mode indicator
9. Vacation function indicator

***optional**



***Optional:** The figures in this user guide are intended as drafts and may not perfectly match your product. If your product does not comprise the relevant parts, the information pertains to other models.

Using the product

1. Fridge compartment indicator

Fridge compartment light is illuminated while the fridge compartment temperature is set.

2. Error status indicator

If your refrigerator does not perform enough cooling or in case of a sensor fault, this indicator is activated. When this indicator is activated, "E" is displayed on the freezer compartment temperature indicator, and numbers such as "1,2,3..." are displayed on the fridge compartment temperature indicator. These numbers on the indicator inform service personnel about the error.

3. Temperature indicator

Indicates freezer, fridge compartment temperature.

4. Vacation function button

Press on Vacation Button for 3 seconds to activate this function. When the vacation function is activated, "- -" is displayed on the fridge compartment temperature indicator and no active cooling is performed on the fridge compartment. It is not suitable to keep the food in the fridge compartment when this function is activated. Other compartments shall be continued to be cooled as per their set temperature.

To cancel this function press **Vacation** button again.

5. Temperature setting button

Changes the temperature of the relevant compartment between -24°C... -18°C and 8°C...1°C.

6. Compartment selection button

Selection button: Press compartment selection button to switch between fridge and freezer compartments.

7. Freezer compartment indicator

Fridge compartment light is illuminated while the freezer compartment temperature is set.

8. Economy mode indicator

Indicates that the refrigerator operates in energy saving mode. This display shall be activated if the freezer compartment temperature is set to -18°C.

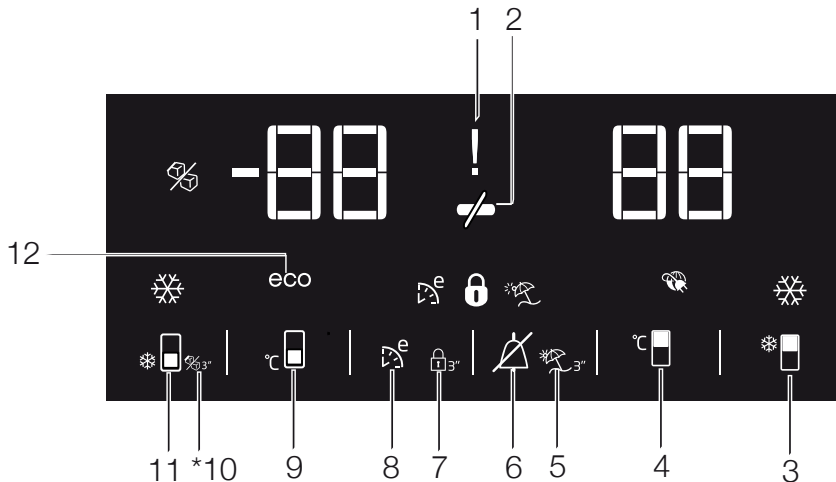
9. Vacation function indicator

Indicates that vacation is activated.



Using the product

5.5. Indicator panel

Indicator panel allows you to set the temperature and control the other functions related to the product without opening the door of the product. Just press the inscriptions on relevant buttons for function settings.




1. Power failure/High temperature / error warning indicator

This indicator  illuminates during power failure, high temperature failures and error warnings. During sustained power failures, the highest temperature that the freezer compartment reaches will flash on the digital display. After checking the food located in the freezer compartment () press the alarm off button to clear the warning.

Please refer to "remedies advised for troubleshooting" section on your manual if you observe that this indicator is illuminated.

2. Energy saving function (display off):

If the product doors are kept closed for a long time energy saving function is automatically activated and energy saving symbol is illuminated. ()

When energy saving function is activated, all symbols on the display other than energy saving symbol will turn off. When the Energy Saving function is activated, if any button is pressed or the door is opened, energy saving function will be canceled and the symbols on display will return to normal.

Energy saving function is activated during delivery from factory and cannot be canceled.



***Optional:** The figures in this user guide are intended as drafts and may not perfectly match your product. If your product does not comprise the relevant parts, the information pertains to other models.

Using the product

3. Quick fridge function

The button has two functions. To activate or deactivate the quick cool function press it briefly. Quick Cool indicator will turn off and the product will return to its normal settings. (●■)



Use quick cooling function when you want to quickly cool the food placed in the fridge compartment. If you want to cool large amounts of fresh food, activate this function before putting the food into the product.



If you do not cancel it, quick cooling will cancel itself automatically after 8 hours or when the fridge compartment reaches to the required temperature.



If you press the quick cooling button repeatedly with short intervals, the electronic circuit protection will be activated and the compressor will not start up immediately.



This function is not recalled when power restores after a power failure.

4. Fridge compartment temperature setting button

Press this button to set the temperature of the fridge compartment to 8, 7, 6, 5, 4, 3, 2, 8... respectively. Press this button to set the fridge compartment temperature to the desired value. (τ■)

5. Vacation Function

In order to activate vacation function, press the this button (☀) for 3 seconds, and the vacation mode indicator (I) will be activated. When the vacation function is activated,

“- -” is displayed on the fridge compartment temperature indicator and no active cooling is performed on the fridge compartment. It is not suitable to keep the food in the fridge compartment when this function is activated. Other compartments shall be continued to be cooled as per their set temperature.

To cancel this function press **Vacation function** button again.

6. Alarm off warning:

In case of power failure/high temperature alarm, after checking the food located in the freezer compartment press the alarm off button (⚡) to clear the warning.

7. Key lock

Press key lock button (🔒) simultaneously for 3 seconds. Key lock symbol (🔒) will light up and key lock mode will be activated. Buttons will not function if the Key lock mode is active. Press key lock button simultaneously for 3 seconds again. Key lock symbol will turn off and the key lock mode will be exited.

Press the **key lock** button if you want to prevent changing of the temperature setting of the refrigerator (🔒).


8. Eco fuzzy

Press and hold eco fuzzy button for 1 seconds to activate eco fuzzy function. Refrigerator will start operating in the most economic mode at least 6 hours later and the economic usage indicator will turn on when the function is active (D^e). Press and hold eco fuzzy function button for 3 seconds to deactivate eco fuzzy function.


This indicator is illuminated after 6 hours when eco fuzzy is activated.

Using the product

9. Freezer compartment temperature setting button

Press this button to set the temperature of the freezer compartment to -18, -19, -20, -21, -22, -23, -24, -18... respectively. Press this button to set the freezer compartment temperature to the desired value. 


10. Icematic off indicator

Indicates whether the icematic is on or off. () If On, then the icematic is not operating. To operate the icematic again press and hold the On-Off button for 3 seconds.



Water flow from water tank will stop when this function is selected. However, ice made previously can be taken from the icematic.

11. Quick freeze function button/ icematic on-off button

Press this button to activate or deactivate the quick freezing function. When you activate the function, the freezer compartment will be cooled to a temperature lower than the set value. 

To turn on and off the icematic press and hold it for 3 seconds.



Use the quick freeze function when you want to quickly freeze the food placed in fridge compartment. If you want to freeze large amounts of fresh food, activate this function before putting the food into the product.




If you do not cancel it, Quick Freeze will cancel itself automatically after 4 hours or when the fridge compartment reaches to the required temperature.



This function is not recalled when power restores after a power failure.

12. Economic usage indicator

Indicates that the product is running in energy-efficient mode. () This indicator will be active if the Freezer Compartment temperature is set to -18 or the energy efficient cooling is being performed due to Eco-Extra function.



Economic usage indicator is turned off when quick cooling or quick freeze functions are selected.

Using the product

5.6. Ice bucket

*optional

- Take the ice bucket from the freezer compartment.
- Fill the ice bucket with water.
- Place the ice bucket into the freezer compartment.
- The ice will be ready after approximately two hours. Take the ice bucket from the freezer compartment and bend it slightly over the holder that you are going to serve. Ice will easily pour into the serving holder.

5.7. Egg holder

You can put the egg holder on the door or body rack of your choice. If you decide to put it on the body rack, it is recommended to prefer the shelves below as they are colder.

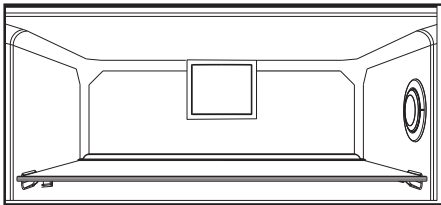


Do not put the egg holder into the freezer compartment.

5.8. Fan

Fan was designed to distribute circulate the cold air inside your refrigerator homogeneously. Operating time of the fan might vary depending the features of your product.

While in some products fan only operates with compressor, in others control system determines the operating time based on the need for cooling.



5.9. Vegetable bin

*optional

Product's vegetable bin is designed to keep vegetables fresh by preserving humidity. For this purpose, the overall cold air circulation is intensified in the vegetable bin.

5.10. Zero degree compartment

*optional

Use this compartment to keep delicatessen at lower temperatures or meat products for immediate consumption.

Zero degree compartment is the coolest place where foods such as dairy products, meat, fish and chicken can be stored in ideal storage conditions. Vegetables and/or fruits should not be stored in this compartment.

Using the product

5.11. Moving door rack

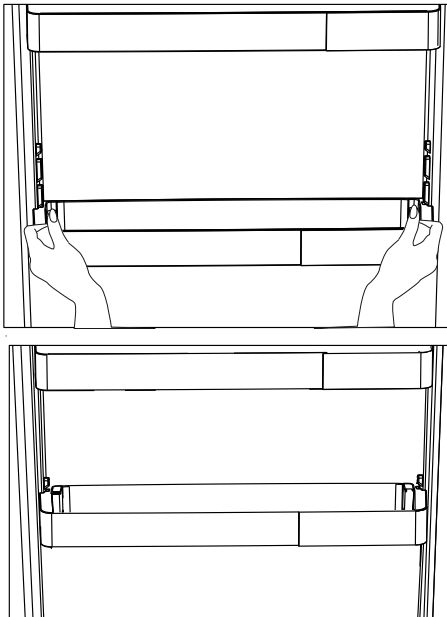
*optional

Moving door rack can be fixed in 3 different positions.

In order to move the rack, push the buttons on the side evenly. Rack will be movable.

Move the rack up or down.

When the rack is in the position that you want, release the buttons. Rack will be fixed again in the position where you have released the buttons.

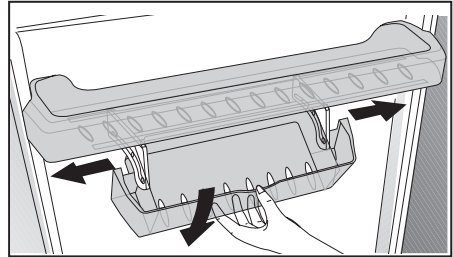


5.12. Sliding storage box

*optional

This accessory has been designed to increase the usage volume of the door racks.

Thanks to its ability to move sideways, it enables you to easily place long bottle, jar or boxes that you put in the bottle rack below.



Using the product

5.13. Moisture controlled vegetable bin

*optional

With moisture control feature, moisture rates of vegetables and fruits are kept under control and ensures a longer freshness period for foods.

It is recommended to store leafed vegetables such as lettuce and spinach and similar vegetables prone to moisture loss not on their roots but in horizontal position into the vegetable bin as much as possible.

When placing the vegetables, place heavy and hard vegetables at the bottom and light and soft ones on the top, taking into account the specific weights of vegetables.

Do not leave vegetables in the vegetable bin in plastic bags. Leaving them in plastic bags causes vegetables to rot in a short time. In situations where contact with other vegetables is not preferred, use packaging materials such as paper that has a certain porosity in terms of hygiene.

Do not put fruits that have a high ethylene gas production such as pear, apricot, peach and particularly apple in the same vegetable bin with other vegetables and fruits. The ethylene gas coming out of these fruits might cause other vegetables and fruits to mature faster and rot in a shorter period of time.

5.14. Automatic ice machine

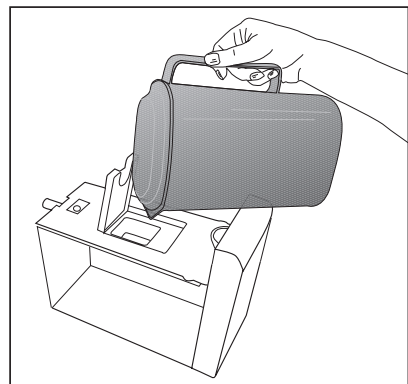
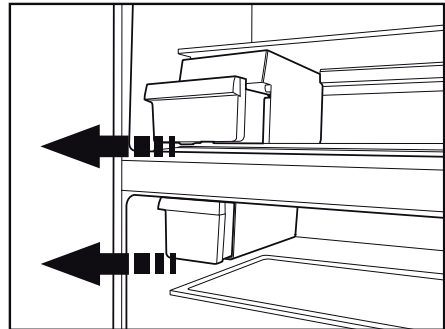
*optional

Automatic ice machine enables you to easily make ice in your refrigerator. In order to obtain ice from the ice machine, take out the water tank in the cooler compartment, fill it with water and fix it back.

First ice will be ready in about 2 hours in the ice machine drawer in the cooler compartment. After placing the full water tank, you can obtain about 60-70 cubes of ice until it is fully empty. If the water in the tank has waited for 2-3 weeks, it should be changed.



In products with automatic ice machine, you might hear a sound when pouring the ice. This sound is normal and is not a sign of failure.



Using the product

5.15. Icematic and ice storage container

***optional**

Using the Icematic

Fill the Icematic with water and place it into its seat. Your ice will be ready approximately in two hours. Do not remove the Icematic from its seating to take ice.

Turn the knobs on the ice reservoirs clockwise by 90 degrees.

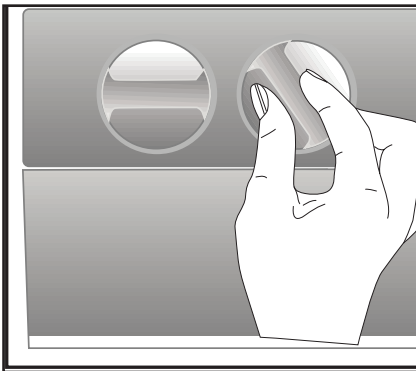
Ice cubes in the reservoirs will fall down into the ice storage container below.

You may take out the ice storage container and serve the ice cubes.

If you wish, you may keep the ice cubes in the ice storage container.

Ice storage container

Ice storage container is only intended for accumulating the ice cubes. Do not put water in it. Otherwise, it will break.



5.16. Using the water dispenser

***optional**



It is normal for the first few glasses of water taken from the dispenser to be warm.

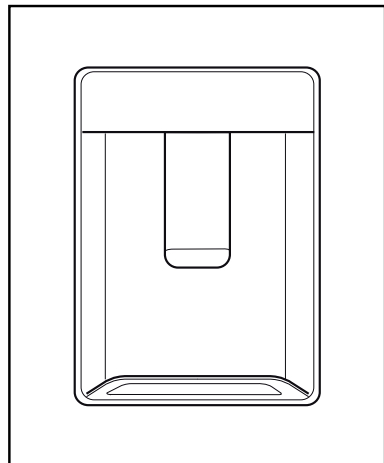


If the water dispenser is not used for a long period of time, dispose of first few glasses of water to obtain fresh water.

1. Push in the lever of the water dispenser with your glass. If you are using a soft plastic cup, pushing the lever with your hand will be easier.
2. After filling the cup up to the level you want, release the lever.



Please note, how much water flows from the dispenser depends on how far you depress the lever. As the level of water in your cup / glass rises, gently reduce the amount of pressure on the lever to avoid overflow. If you slightly press the arm, the water will drip; this is quite normal and not a failure.



Using the product

5.17. Filling the water dispenser's tank

Water tank filling reservoir is located inside the door rack.

1. Open the cover of the tank.
2. Fill the tank with fresh drinking water.
3. Close the cover.



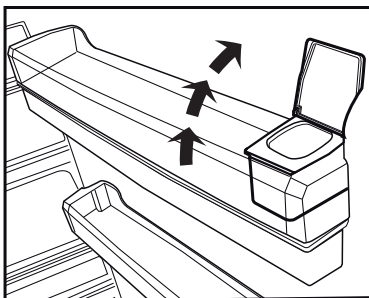
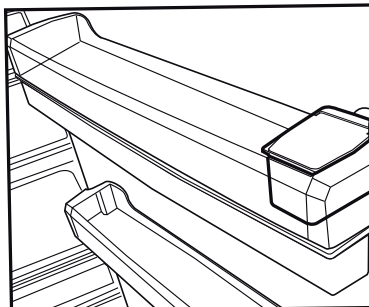
Do not fill the water tank with any other liquid except for water such as fruit juices, carbonated beverages or alcoholic drinks which are not suitable to use in the water dispenser. Water dispenser will be irreparably damaged if these kinds of liquids are used. Warranty does not cover such usages. Some chemical substances and additives contained in these kinds of drinks/liquids may damage the water tank.



Use clean drinking water only.



Capacity of the water tank is 3 litres; do not overfill.



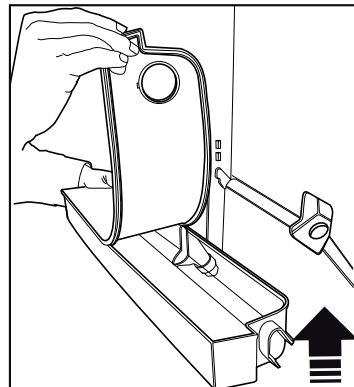
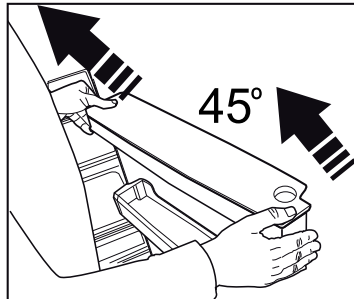
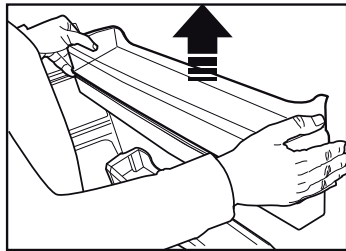
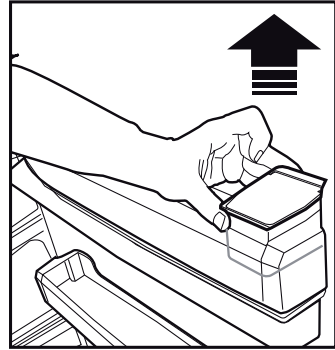
Using the product

5.18. Cleaning the water tank

1. Remove the water filling reservoir inside the door rack.
2. Remove the door rack by holding from both sides.
3. Grab the water tank from both sides and remove it with an angle of 45°.
4. Remove the cover of the water tank and clean the tank.



Components of the water tank and water dispenser should not be washed in dishwasher.



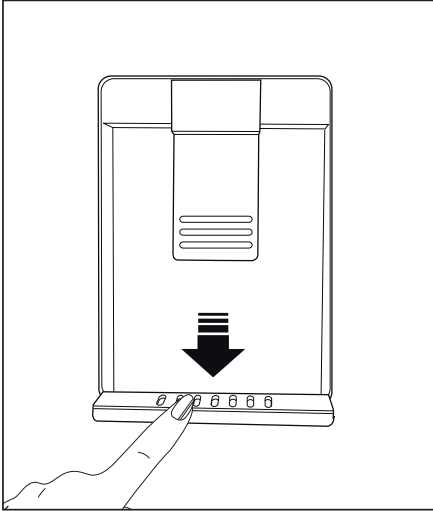
Using the product

5.19.Drip tray

Water that dripped while using the water dispenser accumulates in the spillage tray.

Remove the plastic filter as shown in the figure.

With a clean and dry cloth, remove the water that has accumulated.



Using the product

5.20. Freezing fresh food

- To preserve food quality, the food items placed in the freezer compartment must be frozen as quickly as possible, use the rapid freezing for this.
- Freezing the food items when fresh will extend the storage time in the freezer compartment.
- Pack the food items in air-tight packs and seal tightly.
- Make sure the food items are packed before putting in the freezer. Use freezer holders, tinfoil and damp-proof paper, plastic bag or similar packaging materials instead of traditional packaging paper.



Ice in the freezing compartment thaws automatically.

- Mark each food pack by writing the date on the package before freezing. This will allow you to determine the freshness of each pack every time the freezer is opened. Keep the earlier food items in the front to ensure they are used first.
- Frozen food items must be used immediately after defrosting and should not be frozen again.
- Do not freeze large quantities of food at once.

5.21. Recommendations for storing frozen foods

The compartment must be set to at least -18°C.

1. Place the food items in the freezer as quickly as possible to avoid defrosting.
2. Before freezing, check the “Expiry Date” on the package to make sure it is not expired.
3. Make sure the food’s packaging is not damaged.

Freezer Compartment Temperature Setting	Cooler Compartment Temperature Setting	Details
-18°C	4°C	This is the default, recommended setting.
-20, -22 or -24°C	4°C	These settings are recommended for ambient temperatures exceeding 30°C.
Quick Freeze	4°C	Use when you want to freeze your food in a short time. When the process ends, the product will regain its position.
-18°C or colder	2°C	Use these settings if you believe the cooler compartment is not cold enough due to ambient temperature or frequently opening the door.

Using the product

5.22. Deep freezer details

As per the IEC 62552 standards, the freezer must have the capacity to freeze 4,5 kg of food items at -18°C or lower temperatures in 24 hours for each 100 litres of freezer compartment volume.

Food items can only be preserved for extended periods at or below temperature of -18°C .

You can keep the foods fresh for months (in deep freezer at or below temperatures of 18°C).

The food items to be frozen must not contact the already-frozen food inside to avoid partial defrosting.

Boil the vegetables and filter the water to extend the frozen storage time. Place the food in air-tight packages after filtering and place in the freezer. Bananas, tomatoes, lettuce, celery, boiled eggs, potatoes and similar food items should not be frozen. In case this food rots, only nutritional values and eating qualities will be negatively affected. A rotting threatening human health is not in question.

5.23. Placing the food

Freezer compartment shelves	Various frozen goods including meat, fish, ice cream, vegetables etc.
Cooler compartment shelves	Food items inside pots, capped plate and capped cases, eggs (in capped case)
Cooler compartment door shelves	Small and packed food or beverages
Vegetable bin	Fruits and vegetables
Fresh food compartment	Delicatessen (breakfast food, meat products to be consumed in short notice)

5.24. Door open alert

(Optional)

An audible alert will be heard if the product's door remains open for at least 1 minute. The audible alert will stop when the door is closed or any button on the display (if available) is pressed.

Door open alert is indicated to the user both audibly and visually. Interior lighting will turn off if the warning continues for 10 min.

5.25. Changing the opening direction of the door

You can change the direction of opening of your refrigerator depending on the location where you use it. When you need this, consult the closest Authorized Service.

The explanation above is a general statement. You should check the warning tag located inside the product package about the changeability of direction of the door.

5.26. Interior light

Interior light uses a LED type lamp. Contact the authorized service for any problems with this lamp.

Lamp(s) used in this appliance cannot be used for house lighting. Intended use of this lamp is to help the user place food into the refrigerator / freezer safely and comfortably.

Service life of the product is increase if it is regularly cleaned



WARNING: First unplug the product before cleaning your refrigerator.

- Never use any sharp and abrasive tools, soap, household cleaners, detergent and wax polish for cleaning.
- Dissolve one teaspoon of carbonate in half liter of water. Soak a cloth with the solution and wrung it thoroughly. Wipe the interior of the appliance with this cloth and the dry thoroughly.
- Make sure that no water enters the lamp housing and other electrical items.
- Clean the door with a damp cloth. To remove door and body shelves, remove all of its contents. Remove door shelves by moving them upwards. After cleaning, slide them from top to bottom to install.
- Never use cleaning agents or water that contain chlorine to clean the outer surfaces and chromium coated parts of the product. Chlorine causes corrosion on such metal surfaces.
- Do not use sharp, abrasive tools, soap, household cleaning agents, detergents, kerosene, fuel oil, varnish etc. to prevent removal and deformation of the prints on the plastic part. Use lukewarm water and a soft cloth for cleaning and then wipe it dry.

6.1. Avoiding bad odors

Materials that may cause odor are not used in the production of our appliances. However, due to inappropriate food preserving conditions and not cleaning the inner surface of the appliance as required can bring forth the problem of odor.

Therefore, clean the refrigerator with carbonate dissolved in water every 15 days.

- Keep the food in closed containers. Microorganisms spreading out from uncovered containers can cause unpleasant odours.

- Never keep the food that have expired best before dates and spoiled in the refrigerator.

6.2. Protecting the plastic surfaces

Clean with arm water immediately as the oil may cause damage on the surface when it is poured on plastic surfaces.

6.3. Door Glasses

Remove the protective foil on the glasses.

There is a coating on the surface of the glasses. This coating minimizes the stain build-up and helps to remove the possible stains and dirt easily. Glasses that are not protected with such a coating may be subject to persistent binding of air or water based organic or inorganic dirt such as limescale, mineral salts, unburned hydrocarbons, metal oxides and silicones that can easily and quickly cause stains or material damage. Keeping the glass clean becomes too difficult despite the regular cleaning. Consequently, the appearance and the transparency of the glass deteriorates. Harsh and corrosive cleaning methods and compounds will intensify these defects and speed up the deterioration process.

Water-based cleaning products that are not alkaline and corrosive must be used for regular cleaning purposes.

Non-alkaline and non-corrosive materials must be used for cleaning so that the service life of this coating lasts for a long time.

These glasses are tempered to increase their durability against impacts and breaking. A safety film is also applied to their rear surfaces as an extra safety measure in order to prevent them from causing damage to their surrounding in case of a breakage.

*Alkali is a base that forms hydroxide ions (OH⁻) when it is dissolved in water.

Li (Lithium), Na (Sodium), K (Potassium) Rb (Rubidium), Cs (Cesium) and artificial and radioactive Fr (Francium) metals are called ALKALI METALS.

Check this list before contacting the service. Doing so will save you time and money. This list includes frequent complaints that are not related to faulty workmanship or materials. Certain features mentioned herein may not apply to your product.

The refrigerator is not working.

- The power plug is not fully settled. >>> Plug it in to settle completely into the socket.
- The fuse connected to the socket powering the product or the main fuse is blown. >>> Check the fuses.

Condensation on the side wall of the cooler compartment (MULTI ZONE, COOL, CONTROL and FLEXI ZONE).

- The environment is too cold. >>> Do not install the product in environments with temperatures below -5°C.
- The door is opened too frequently >>> Take care not to open the product's door too frequently.
- The environment is too humid. >>> Do not install the product in humid environments.
- Foods containing liquids are kept in unsealed holders. >>> Keep the foods containing liquids in sealed holders.
- The product's door is left open. >>> Do not keep the product's door open for long periods.
- The thermostat is set to too low temperature. >>> Set the thermostat to appropriate temperature.

Compressor is not working.

- In case of sudden power failure or pulling the power plug off and putting back on, the gas pressure in the product's cooling system is not balanced, which triggers the compressor thermic safeguard. The product will restart after approximately 6 minutes. If the product does not restart after this period, contact the service.
- Defrosting is active. >>> This is normal for a fully-automatic defrosting product. The defrosting is carried out periodically.
- The product is not plugged in. >>> Make sure the power cord is plugged in.
- The temperature setting is incorrect. >>> Select the appropriate temperature setting.
- The power is out. >>> The product will continue to operate normally once the power is restored.

The refrigerator's operating noise is increasing while in use.

- The product's operating performance may vary depending on the ambient temperature variations. This is normal and not a malfunction.

The refrigerator runs too often or for too long.

- The new product may be larger than the previous one. Larger products will run for longer periods.
- The room temperature may be high. >>> The product will normally run for long periods in higher room temperature.
- The product may have been recently plugged in or a new food item is placed inside. >>> The product will take longer to reach the set temperature when recently plugged in or a new food item is placed inside. This is normal.
- Large quantities of hot food may have been recently placed into the product. >>> Do not place hot food into the product.
- The doors were opened frequently or kept open for long periods. >>> The warm air moving inside will cause the product to run longer. Do not open the doors too frequently.
- The freezer or cooler door may be ajar. >>> Check that the doors are fully closed.
- The product may be set to temperature too low. >>> Set the temperature to a higher degree and wait for the product to reach the adjusted temperature.
- The cooler or freezer door washer may be dirty, worn out, broken or not properly settled. >>> Clean or replace the washer. Damaged / torn door washer will cause the product to run for longer periods to preserve the current temperature.

Troubleshooting

The freezer temperature is very low, but the cooler temperature is adequate.

- The freezer compartment temperature is set to a very low degree. >>> Set the freezer compartment temperature to a higher degree and check again.

The cooler temperature is very low, but the freezer temperature is adequate.

- The cooler compartment temperature is set to a very low degree. >>> Set the freezer compartment temperature to a higher degree and check again.

The food items kept in cooler compartment drawers are frozen.

- The cooler compartment temperature is set to a very low degree. >>> Set the freezer compartment temperature to a higher degree and check again.

The temperature in the cooler or the freezer is too high.

- The cooler compartment temperature is set to a very high degree. >>> Temperature setting of the cooler compartment has an effect on the temperature in the freezer compartment. Wait until the temperature of relevant parts reach the sufficient level by changing the temperature of cooler or freezer compartments.
- The doors were opened frequently or kept open for long periods. >>> Do not open the doors too frequently.
- The door may be ajar. >>> Fully close the door.
- The product may have been recently plugged in or a new food item is placed inside. >>> This is normal. The product will take longer to reach the set temperature when recently plugged in or a new food item is placed inside.
- Large quantities of hot food may have been recently placed into the product. >>> Do not place hot food into the product.

Shaking or noise.

- The ground is not level or durable. >>> If the product is shaking when moved slowly, adjust the stands to balance the product. Also make sure the ground is sufficiently durable to bear the product.
- Any items placed on the product may cause noise. >>> Remove any items placed on the product.

The product is making noise of liquid flowing, spraying etc.

- The product's operating principles involve liquid and gas flows. >>> This is normal and not a malfunction.

There is sound of wind blowing coming from the product.

- The product uses a fan for the cooling process. This is normal and not a malfunction.

There is condensation on the product's internal walls.

- Hot or humid weather will increase icing and condensation. This is normal and not a malfunction.
- The doors were opened frequently or kept open for long periods. >>> Do not open the doors too frequently; if open, close the door.
- The door may be ajar. >>> Fully close the door.

There is condensation on the product's exterior or between the doors.

- The ambient weather may be humid, this is quite normal in humid weather. >>> The condensation will dissipate when the humidity is reduced.

The interior smells bad.

Troubleshooting

- The product is not cleaned regularly. >>> Clean the interior regularly using sponge, warm water and carbonated water.
- Certain holders and packaging materials may cause odour. >>> Use holders and packaging materials without free of odour.
- The foods were placed in unsealed holders. >>> Keep the foods in sealed holders. Micro-organisms may spread out of unsealed food items and cause malodour. Remove any expired or spoilt foods from the product.

The door is not closing.

- Food packages may be blocking the door. >>> Relocate any items blocking the doors.
- The product is not standing in full upright position on the ground. >>> Adjust the stands to balance the product.
- The ground is not level or durable. >>> Make sure the ground is level and sufficiently durable to bear the product.

The vegetable bin is jammed.

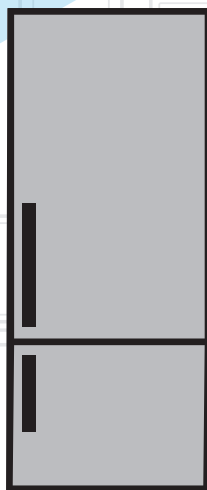
- The food items may be in contact with the upper section of the drawer. >>> Reorganize the food items in the drawer.



WARNING: If the problem persists after following the instructions in this section, contact your vendor or an Authorised Service. Do not try to repair the product.

Réfrigérateur

Manuel d'utilisation



FRI

beko

Veillez d'abord lire ce manuel d'utilisation !

Chère cliente, cher client,

Nous aimerions que vous soyez entièrement satisfait de notre appareil, fabriqué dans des infrastructures modernes et ayant fait l'objet d'un contrôle de qualité minutieux.

À cet effet, veuillez lire en intégralité le manuel d'utilisation avant d'utiliser cet appareil, et conservez-le pour références ultérieures. Si vous offrez cet appareil à une autre personne, remettez-lui également le manuel d'utilisation.

Le manuel d'utilisation garantit l'utilisation rapide et sécurisée du réfrigérateur.

- Veuillez lire le manuel d'utilisation avant d'installer et d'utiliser le réfrigérateur,
- Respectez toujours les instructions de sécurité en vigueur,
- Tenez le manuel d'utilisation à portée pour références ultérieures,
- Veuillez lire tous les autres documents fournis avec l'appareil,

Veillez noter que ce manuel d'utilisation peut se rapporter à plusieurs modèles de cet appareil. Le manuel indique clairement toutes les différences entre les modèles.

Symboles et commentaires

Les symboles suivants sont utilisés dans le manuel d'utilisation :

	Informations importantes et renseignements utiles,
	Avertissement relatif aux conditions dangereuses pour la vie et la propriété,
	Risque d'électrocution,
	L'emballage de l'appareil a été fabriqué à partir de matériaux recyclables, conformément à la législation nationale en matière d'environnement,

1 Instructions en matière de sécurité et d'environnement 3

1.1. Consignes générales de sécurité	3
1.1.1 Avertissement HC	5
1.1.2 Pour les modèles avec distributeur d'eau	6
1.2. Utilisation préconisée.	6
1.3. Sécurité des enfants	7
1.4. Conformité avec la directive DEEE et mise au rebut de votre ancien appareil	7
1.5. Conformité avec la directive LdSD	7
1.6. Informations relatives à l'emballage	7

2 Votre réfrigérateur 8

3 Installation 9

3.1. Lieu idéal d'installation	9
3.2. Fixation des cales en plastique.	9
3.3. Réglage des pieds.	9
3.4. Branchement électrique	10
3.5. Réversibilité des portes	11
3.6. Réversibilité des portes	12

4 Préparation 13

4.1. Moyens d'économiser l'énergie	13
4.2. Première utilisation	13

5 Utilisation de l'appareil 14

5.1. Bouton de réglage de température.	14
5.2. Congélation rapide	14
5.3. Fonction Vacances	15
5.4. Bandeau indicateur	16
5.5. Bandeau indicateur	18
5.6. Seau à glace	22
5.7. Support d'œufs.	22
5.8. Ventilateur	22

5.9. Bac à légumes.	22
5.10. Compartiment zéro degré.	22
5.11. Balconnet de porte amovible	23
5.12. Boîte de stockage coulissante	23
5.13. Bac à légumes à humidité contrôlée.	24
5.14. Machine à glace automatique	24
5.15. Distributeur et récipient de conservation de glaçons.	25
(dans certains modèles).	25
5.16. Distributeur d'eau	26
5.17. Utilisation du distributeur	26
5.18. Nettoyer le réservoir d'eau	27
5.19. Bac à eau	28
5.20. Congélation des produits frais.	29
5.21. Recommandations relatives à la conservation des aliments congelés	29
5.22. Informations relatives au congélateur	30
5.23. Disposition des denrées	30
5.24. Alerte ouverture de porte	30
5.25. Inversion de la direction d'ouverture de la porte	30
5.26. Éclairage interne	30

6 Entretien et nettoyage 31

6.1. Prévention des mauvaises odeurs	31
6.2. Protection des surfaces en plastique	31
6.3. Vitre de porte	31

6 Entretien et nettoyage 32

7 Dépannage 33

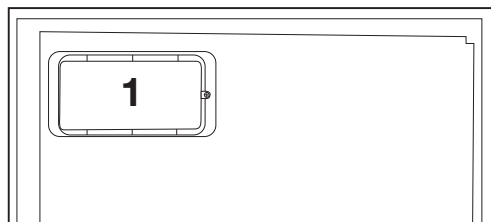
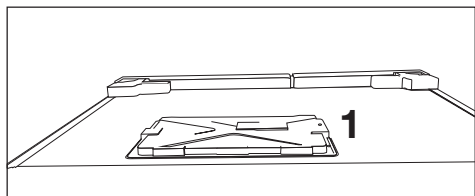
1 Instructions en matière de sécurité et d'environnement

Cette section fournit les instructions de sécurité nécessaires à la prévention des risques de blessures ou de dommage matériel. Le non-respect de ces instructions annule tous les types de garantie de l'appareil.

1.1. Consignes générales de sécurité

- Cet appareil ne doit pas être utilisé par des personnes atteintes de déficience physique, sensorielle ou mentale, des personnes sans connaissances suffisantes et inexpérimentées ou par des enfants. Il ne doit être utilisé par ces personnes que si elles sont supervisées ou sous les instructions d'une personne responsable de leur sécurité. Ne laissez pas les enfants jouer avec l'appareil.
- En cas de dysfonctionnement, débranchez l'appareil.
- Après avoir débranché l'appareil, patientez 5 minutes avant de le rebrancher.
- Débranchez l'appareil lorsqu'il n'est pas utilisé.
- Évitez de toucher le cordon d'alimentation avec des mains humides ! Ne le débranchez jamais en tirant le câble, mais plutôt en tenant la prise.
- Nettoyez la fiche du câble d'alimentation à l'aide d'un chiffon sec, avant de le brancher.
- Évitez de brancher le réfrigérateur lorsque la prise est instable.
- Débranchez l'appareil pendant l'installation, l'entretien, le nettoyage et la réparation.
- Si l'appareil ne sera pas utilisé pendant une longue période, débranchez-le et videz l'intérieur.
- Évitez d'utiliser l'appareil lorsque le compartiment équipé des cartes de circuits situé sur la partie supérieure de l'appareil (couvercle du boîtier de la carte d'alimentation) (1) est ouvert.

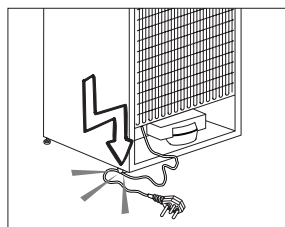
Instructions en matière de sécurité et d'environnement



- Contactez le service agréé avant de procéder à toute intervention.
 - Branchez votre appareil à une prise de mise à la terre. La mise à la terre doit être effectuée par un technicien qualifié.
 - Si l'appareil possède un éclairage de type DEL, contactez le service agréé pour tout remplacement ou en cas de problème.
 - Évitez de toucher les aliments congelés avec des mains humides ! Ils pourraient coller à vos mains !
 - Ne placez pas de boissons en bouteille ou en canette dans le compartiment de congélation. Elles risquent d'exploser !
 - Placez les boissons verticalement, dans des récipients convenablement fermés.
- N'utilisez pas la vapeur ou de matériel de nettoyage à vapeur pour nettoyer le réfrigérateur et faire fondre la glace. La vapeur peut atteindre les zones électrifiées et causer un court-circuit ou l'électrocution !
 - Ne lavez pas l'appareil par pulvérisation ou aspersion d'eau ! Risque d'électrocution !
 - En cas de dysfonctionnement, n'utilisez pas l'appareil car il peut entraîner une électrocution.

Instructions en matière de sécurité et d'environnement

- Ne pulvérisez pas de substances contenant des gaz inflammables près du réfrigérateur pour éviter tout risque d'incendie et d'explosion.
- Ne conservez pas de substances et produits inflammables (vaporisateurs, etc.) dans le réfrigérateur.
- Ne placez pas de récipients contenant des liquides au-dessus du réfrigérateur. Les projections d'eau sur des pièces électrifiées peuvent entraîner des électrocutions et un risque d'incendie.
- L'exposition du produit à la pluie, à la neige, au soleil et au vent présente des risques pour la sécurité électrique. Quand vous transportez le réfrigérateur, ne le tenez pas par la poignée de la porte. Elle peut se casser.
- Évitez que votre main ou toute autre partie de votre corps ne se retrouve coincée dans les parties amovibles de l'appareil.
- Évitez de monter ou de vous appuyer contre la porte, les tiroirs ou toute autre partie du réfrigérateur. Cela peut faire tomber l'appareil et l'endommager.
- Évitez de coincer le câble d'alimentation.



1.1.1 Avertissement HC

Si votre réfrigérateur possède un système de refroidissement utilisant le gaz R600a, évitez d'endommager le système de refroidissement et sa tuyauterie pendant l'utilisation et le transport de l'appareil. Ce gaz est inflammable. Si le système de refroidissement est endommagé, éloignez

Instructions en matière de sécurité et d'environnement

l'appareil des flammes et aérez la pièce immédiatement.



L'étiquette sur la paroi intérieure gauche de l'appareil indique le type de gaz utilisé.

1.1.2 Pour les modèles avec distributeur d'eau

- La pression de l'eau froide à l'entrée ne doit pas excéder 90 psi (6.2 bar). Si votre pression d'eau dépasse 80 psi (5,5 bar), utilisez une soupape de limitation de pression sur votre réseau de conduite. Si vous ne savez pas comment vérifiez la pression de l'eau, demandez l'assistance d'un plombier professionnel.
- S'il existe un risque d'effet coup de bélier sur votre installation, utilisez systématiquement un équipement de protection contre l'effet coup de bélier sur celle-ci. Consultez des plombiers professionnels si vous n'êtes pas sûr de la présence de cet effet sur votre installation.

- Ne l'installez pas sur l'entrée d'eau chaude. Prenez des précautions contre le risque de congélation des tuyaux. L'intervalle de fonctionnement de la température des eaux doit être de 33 F (0,6°C) au moins et de 100 F (38 C) au plus.
- Utilisez uniquement de l'eau potable.

1.2. Utilisation préconisée

- Cet appareil est exclusivement conçu pour un usage domestique. Il n'est pas destiné à un usage commercial.
- Il doit être exclusivement utilisé pour le stockage des denrées et des boissons.
- Les produits qui nécessitent un contrôle de température précis (vaccins, médicaments sensibles à la chaleur, matériels médicaux, etc.) ne doivent pas être conservés dans le réfrigérateur.

Instructions en matière de sécurité et d'environnement

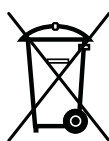
- Le fabricant ne sera pas tenu responsable de tout dommage résultant d'une mauvaise utilisation ou manipulation.
- Les pièces détachées d'origine sont disponibles pendant 10 ans, à compter de la date d'achat du produit.

1.3. Sécurité des enfants

- Conservez les matériaux d'emballage hors de la portée des enfants.
- Ne laissez pas les enfants jouer avec l'appareil.
- Si la porte de l'appareil est dotée d'une serrure, gardez la clé hors de la portée des enfants.

1.4. Conformité avec la directive DEEE et mise au rebut de votre ancien appareil

Ce produit est conforme à la directive DEEE (2012/19/UE) de l'Union européenne. Il porte un symbole de classification pour la mise au rebut des équipements électriques et électroniques (DEEE).



Le présent produit a été fabriqué avec des pièces et du matériel de qualité supérieure susceptibles d'être réutilisés et adaptés au recyclage. Ne le mettez pas au rebut avec les ordures ménagères et d'autres déchets à la fin de sa durée de vie. Rendez-vous dans un point de collecte pour le recyclage de tout matériel électrique et électronique. Rapprochez-vous des autorités de votre localité pour plus d'informations concernant ces points de collecte.

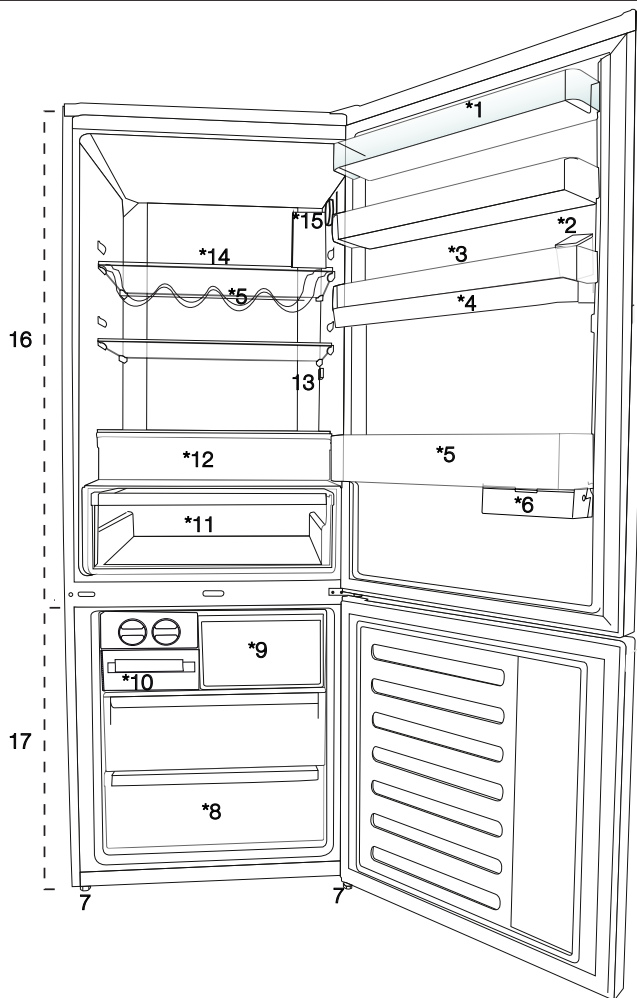
1.5. Conformité avec la directive LdSD

- Ce produit est conforme à la directive DEEE (2011/65/UE) de l'Union européenne). Il ne comporte pas de matériaux dangereux et interdits mentionnés dans la directive.

1.6. Informations relatives à l'emballage

- Les matériaux d'emballage de cet appareil sont fabriqués à partir de matériaux recyclables, conformément à nos réglementations nationales en matière d'environnement. Ne mettez pas les matériaux d'emballage au rebut avec les ordures ménagères et d'autres déchets. Amenez-les aux points de collecte des matériaux d'emballage, désignés par les autorités locales.

2 Votre réfrigérateur



1. Balconnet de la porte du compartiment réfrigérateur
2. Opercule du réservoir d'eau
3. Réservoir du distributeur d'eau
4. Bac à Oeufs
5. Clayette range-bouteilles
6. Boîte de stockage coulissante
7. Pieds réglables
8. Compartiment congélation rapide
9. Compartiment de congélation rapide
10. Bac à glaçons et banque de glace
11. Bac à légumes
12. Compartiment zéro degré
13. Éclairage intérieur
14. Balconnet de la vitre du compartiment réfrigérateur
15. Bouton de réglage de température
16. Compartiment réfrigérateur
17. Compartiment congélateur



***En option :** Les images présentées dans ce manuel sont fournies à titre indicatif et elles peuvent ne pas correspondre exactement à votre appareil. Si votre appareil ne dispose pas des parties citées, alors l'information s'applique à d'autres modèles.

3 Installation

3.1. Lieu idéal d'installation

Contactez le service agréé pour l'installation de votre réfrigérateur. Pour préparer l'installation du réfrigérateur, lisez attentivement les instructions du manuel d'utilisation et assurez-vous que les équipements électriques et d'approvisionnement d'eau sont installés convenablement. Si non, contactez un électricien et un plombier pour effectuer les réparations nécessaires.



AVERTISSEMENT : Le fabricant ne sera pas tenu responsable en cas de problèmes causés par des travaux effectués par des personnes non autorisées.



AVERTISSEMENT : Débranchez le câble d'alimentation du réfrigérateur pendant l'installation. Le non-respect de cette consigne peut entraîner la mort ou des blessures graves !



AVERTISSEMENT : Si le cadre de la porte est trop étroit pour laisser passer l'appareil, retirez la porte et faites passer l'appareil sur les côtés ; si cela ne fonctionne pas, contactez le service agréé.

- Placez l'appareil sur une surface plane pour éviter les vibrations.
- Placez le produit à 30 cm du chauffage, de la cuisinière et des autres sources de chaleur similaires et à au moins 5 cm des fours électriques.
- N'exposez pas le produit directement à lumière du soleil et ne le laissez pas dans des environnements humides.
- Le bon fonctionnement de votre réfrigérateur nécessite la bonne circulation de l'air.
- Si le réfrigérateur est placé dans un encastrement mural, assurez-vous de laisser un espace d'au moins 5 cm avec le plafond et le mur.
- Ne placez pas le réfrigérateur dans des environnements avec des températures inférieures à -5 °C.

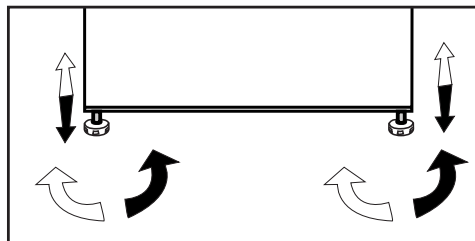
3.2. Fixation des cales en plastique

Utilisez les cales en plastiques fournies avec le réfrigérateur pour créer une circulation d'air suffisante entre le réfrigérateur et le mur.

1. Pour fixer les cales, retirez les vis du réfrigérateur et utilisez celles fournies avec les cales,
2. Fixez 2 cales en plastique sur le couvercle de ventilation tel qu'illustré par l'image.

3.3. Réglage des pieds

Si le réfrigérateur n'est pas équilibré, réglez les pieds avant en les tournant vers la gauche ou la droite.



Installation

3.4. Branchement électrique

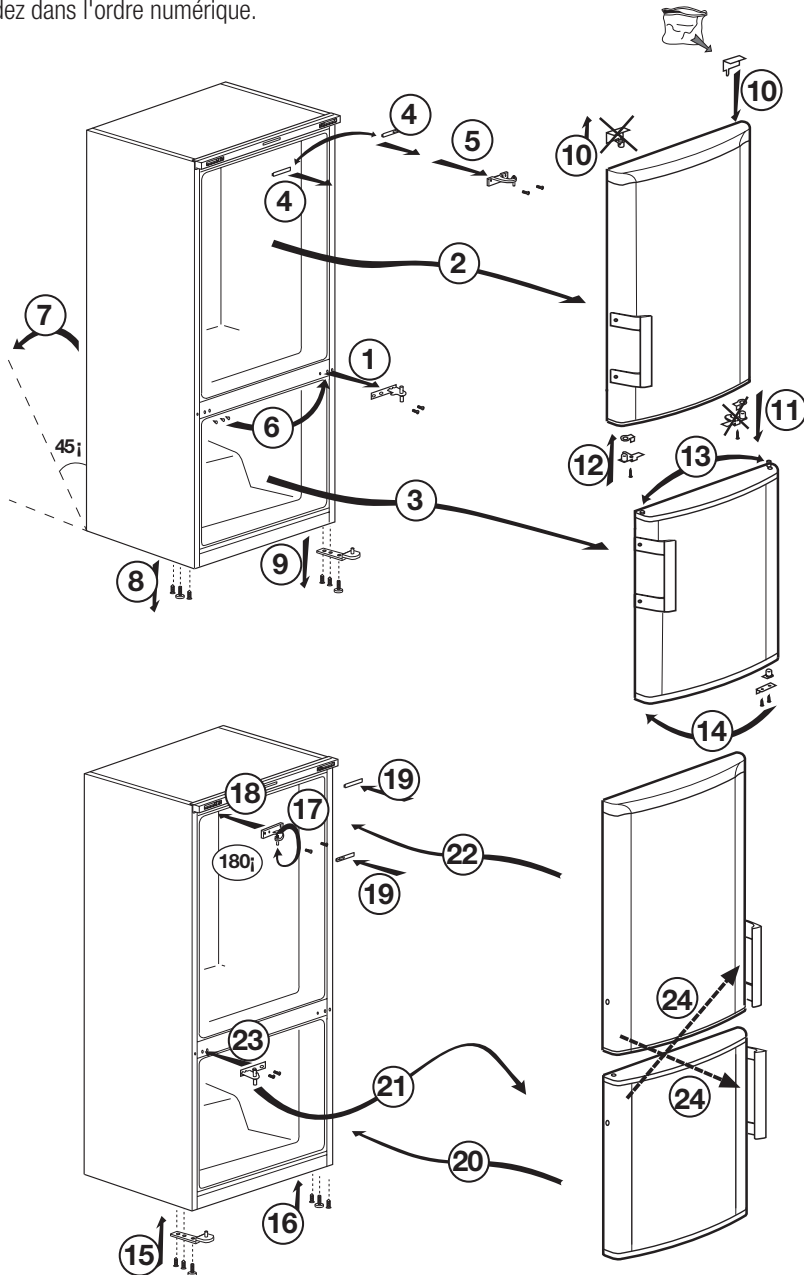
	AVERTISSEMENT : Ne branchez pas le réfrigérateur sur une rallonge ou une multiprise.
	AVERTISSEMENT : Les câbles d'alimentation endommagés doivent être remplacés par le service agréé.
	Lorsque deux réfrigérateurs sont installés côte à côte, ils doivent être séparés par au moins 4 cm.

- Notre entreprise ne sera pas tenue responsable de tout dommage résultant de l'utilisation de l'appareil sans prise de mise à la terre ou branchement électrique conforme à la norme nationale en vigueur.
- Gardez la fiche du câble d'alimentation à portée de main après l'installation.
- Branchez votre réfrigérateur à une prise de mise à la terre de 220-240 V/50 Hz de tension. La fiche doit posséder un fusible de 10-16 A.
- N'utilisez pas de fiches multiples avec ou sans câble d'extension entre la prise murale et le réfrigérateur.

Installation

3.5. Réversibilité des portes

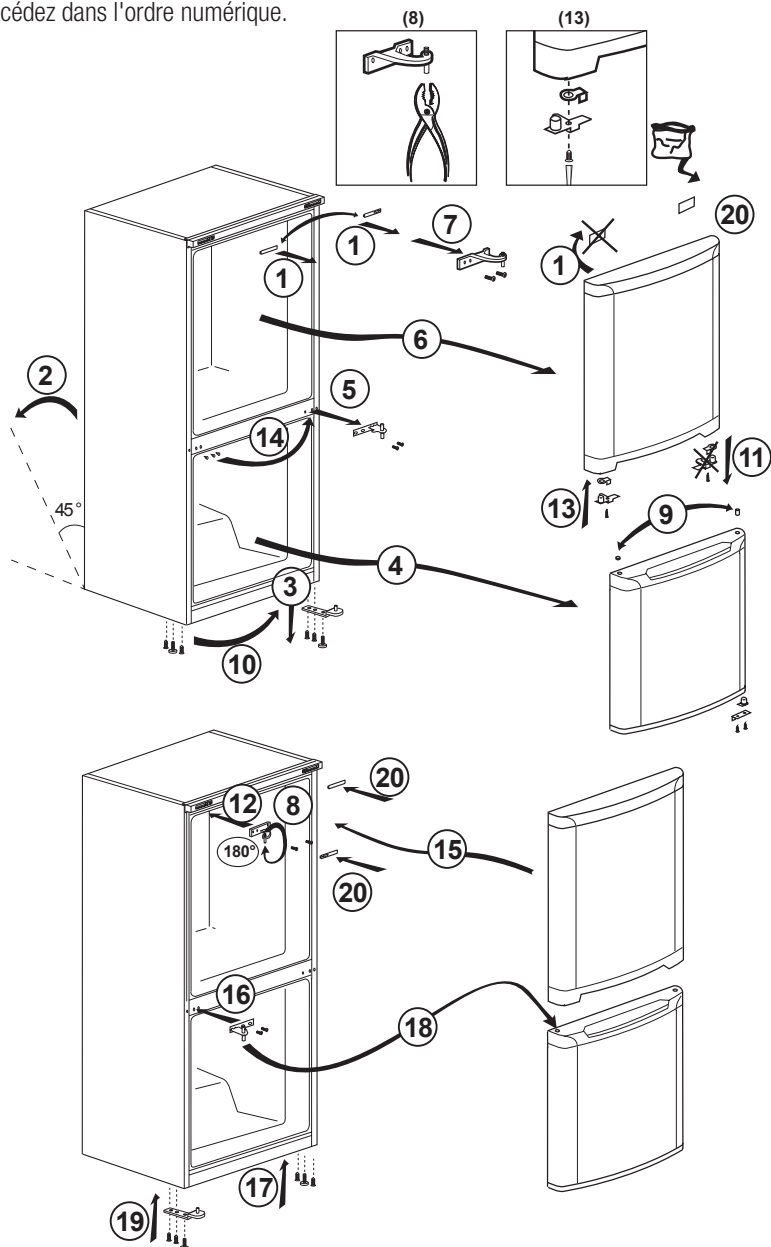
Procédez dans l'ordre numérique.



Installation

3.6. Réversibilité des portes

Procédez dans l'ordre numérique.



4 Préparation

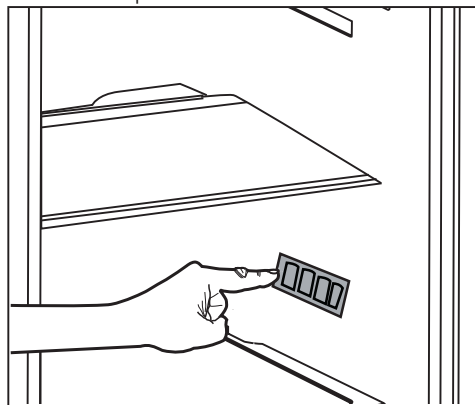
4.1. Moyens d'économiser l'énergie



Il est dangereux de connecter l'appareil aux systèmes électroniques d'économie d'énergie, ils pourraient l'endommager.

- Ne laissez pas la porte du réfrigérateur ouverte longtemps.
- Ne conservez pas des aliments ou des boissons chauds dans le réfrigérateur.
- Ne surchargez pas le réfrigérateur, l'obstruction du flux d'air interne réduira la capacité de réfrigération.
- Pour stocker une quantité maximale d'aliments dans le compartiment réfrigérateur, retirez les tiroirs supérieurs et placez-les sur l'étagère pour verres. La consommation énergétique définie de votre réfrigérateur est déterminée lorsque vous retirez le refroidisseur, le bac à glaçons et les tiroirs supérieurs d'une manière qui permettra un chargement maximal. Il est fortement recommandé d'utiliser le tiroir inférieur lors du chargement. Activez la fonction Économie d'énergie pour une meilleure consommation énergétique.
- Évitez de bloquer le flux d'air en plaçant les aliments devant le ventilateur du refroidisseur. Laissez un espace de 3 cm devant la grille de protection du ventilateur lors du chargement des aliments.
- Selon les caractéristiques de l'appareil, le dégivrage des aliments congelés dans le compartiment réfrigérateur assurera l'économie d'énergie et la préservation de la qualité des aliments.
- Placez les aliments dans les étagères à l'intérieur du compartiment réfrigérateur afin de réaliser des économies d'énergie et de conserver les aliments dans un meilleur environnement.
- Veillez à ce que les emballages d'aliments ne soient pas en contact direct avec le capteur de chaleur situé dans le compartiment réfrigérateur. Dans le cas contraire, la consommation énergétique de votre appareil pourrait augmenter.

- Veuillez-vous assurer que les aliments ne sont pas en contact direct avec le capteur de température du compartiment réfrigérateur décrit ci-après.



4.2. Première utilisation

Avant d'utiliser votre réfrigérateur, assurez-vous que les installations nécessaires sont conformes aux instructions des sections « Instructions en matière de sécurité et d'environnement » et « Installation ».

- Laissez l'appareil vide en marche pendant 6 heures, et ne l'ouvrez pas sauf en cas de nécessité absolue.



Un son retentit à l'activation du compresseur. Il est également normal d'entendre ce son lorsque le compresseur est inactif, en raison des liquides et des gaz comprimés présents dans le système de réfrigération.



Les bords avant du réfrigérateur peuvent chauffer. Ce phénomène est normal. Ces parties doivent en principe être chaudes afin d'éviter la condensation.



Dans certains modèles, le panneau indicateur se met automatiquement en veilleuse 5 minutes après la fermeture de la porte. Ce panneau s'active à nouveau lorsque la porte est ouverte ou lorsqu'on appuie sur un bouton.

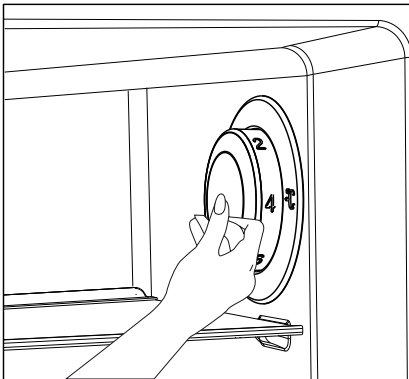
5.1. Bouton de réglage de température

La température interne de votre réfrigérateur varie selon les raisons suivantes :

- Températures saisonnières,
- les portes sont ouvertes fréquemment et restent longtemps ouvertes,
- les aliments sont introduits dans le réfrigérateur sans réduction de la température à la température ambiante,
- l'emplacement du réfrigérateur dans la pièce (par ex. exposition à la lumière directe du soleil).
- La variation de la température interne en raison de ces facteurs peut être réglée via le bouton de réglage de la température.

Les chiffres autour du bouton de réglage indiquent les degrés de température comme « °C ».

Si la température ambiante est de 20 °C, il est recommandé de régler la température du réfrigérateur à 4 °C. Sous d'autres températures ambiantes, cette valeur peut être personnalisée.

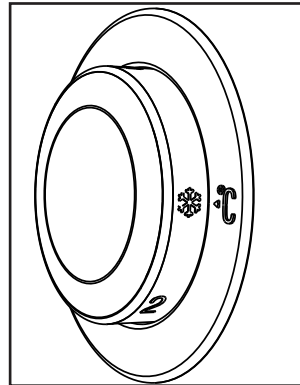


5.2. Congélation rapide

Si vous souhaitez congeler de grandes quantités d'aliments frais, placez le bouton de réglage de la température sur la position (❄️) avant d'introduire les aliments dans le compartiment de congélation rapide.

Nous vous recommandons de laisser le bouton à cette position pendant au moins 24 heures pour congeler une quantité maximale d'aliments correspondant à la capacité de congélation stipulée. Veillez surtout à ne pas mélanger les aliments congelés et les aliments frais.


Assurez-vous de placer le bouton de réglage de température à sa position initiale.



Utilisation de l'appareil

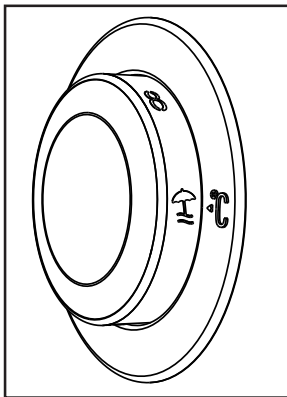
5.3. Fonction Vacances

Si les portes de votre réfrigérateur ne sont pas

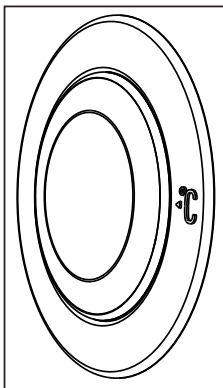
() ouvertes pendant au moins 12 heures après l'ajustement du bouton de réglage de la température à la position la plus élevée, la fonction Vacances est automatiquement activée.

Les paramètres du bouton peuvent être modifiés afin d'annuler cette fonction.

Il n'est pas recommandé de conserver les aliments dans le compartiment réfrigérateur lorsque cette fonction est activée.



- Une fois le réglage terminé, vous pouvez dissimuler le bouton de réglage de la température en l'appuyant à l'intérieur.

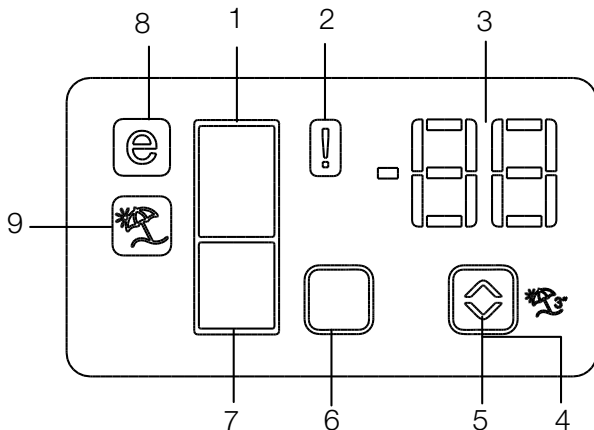


Utilisation de l'appareil

5.4. Bandeau indicateur

Les bandeaux indicateur peuvent varier en fonction du modèle de l'appareil.

Les fonctions sonores et visuelles sur le panneau indicateur vous aident dans l'utilisation de votre réfrigérateur.



1. Indicateur du compartiment réfrigérateur
2. Indicateur d'état de dysfonctionnement
3. Indicateur de température
4. Bouton de la fonction Vacances
5. Bouton de réglage de la température
6. Bouton de sélection du compartiment
7. Indicateur du compartiment congélateur
8. Indicateur mode Économie
9. Indicateur de Fonction Vacances

***en option**



***en option** : Les chiffres présentés dans ce guide sont à titre indicatif et peuvent ne pas correspondre à votre appareil. Si votre appareil ne dispose pas des parties citées, alors l'information s'applique à d'autres modèles.

Utilisation de l'appareil

1. Indicateur du compartiment réfrigérateur

La lampe du compartiment réfrigérateur s'allume lorsque la température de ce compartiment est réglée.

2. Indicateur d'état de dysfonctionnement

Si la capacité de votre réfrigérateur à refroidir est insuffisante ou en cas de dysfonctionnement du capteur, cet indicateur est activé. Lorsque cet indicateur est activé, "E" s'affiche sur l'indicateur de température du compartiment congélateur, et les nombres tels que "1,2,3..." s'affichent sur l'indicateur de température du compartiment réfrigérateur. Ces numéros sur l'indicateur renseignent le personnel d'entretien sur le dysfonctionnement.

3. Indicateur de température

Indique la température du compartiment congélateur, réfrigérateur.

4. Bouton de la fonction Vacances

Appuyez sur le bouton Vacances pendant 3 secondes pour activer cette fonction.

Si la fonction Vacances est activée, "- -" s'affiche sur l'indicateur de température du compartiment réfrigérateur et aucun refroidissement actif n'est sélectionné sur le compartiment réfrigérateur. Il n'est pas adapté de conserver les denrées dans le compartiment réfrigérateur lorsque cette fonction est activée. D'autres compartiments continuent à se refroidir conformément à leur température réglée.

Pour annuler cette fonction, appuyez à nouveau sur le bouton **Vacances**.

5. Bouton de réglage de la température

Modifie la température du compartiment concerné entre - 24 °C, -18 °C et 8 °C.1 °C.

6. Bouton de sélection du compartiment

Bouton de sélection : Appuyez sur le bouton de sélection du compartiment pour basculer entre les compartiments réfrigérateur et congélateur.

7. Indicateur du compartiment congélateur

La lampe du compartiment congélateur s'allume lorsque la température du compartiment congélateur est réglée.

8. Indicateur mode Économie

Indique que le réfrigérateur fonctionne en mode d'économie d'énergie. Cet écran sera actif si la température du compartiment congélateur est réglée sur -18°C.

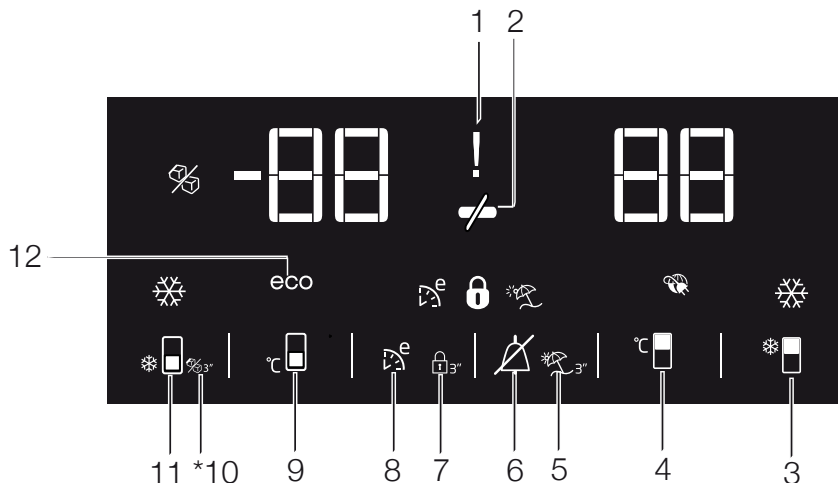
9. Indicateur de Fonction Vacances

Indique que la fonction Vacances est activée.

Utilisation de l'appareil

5.5. Bandeau indicateur

Le panneau indicateur vous permet de régler la température et de contrôler les autres fonctions liées à votre appareil sans ouvrir la porte du réfrigérateur. Appuyez simplement sur les inscriptions des boutons appropriés pour effectuer le réglage des fonctions.



1. Indicateur de Coupure de courant / Température élevée / d'avertissement d'erreur

Cet indicateur (⚡) s'allume en cas de coupure de courant, d'échecs de température élevée et de messages d'erreur. Pendant les coupures de courant prolongées, le niveau de température le plus élevé atteint par le compartiment congélateur clignote sur l'affichage numérique. Après avoir vérifié les aliments situés dans le compartiment congélateur (🔒), appuyez sur le bouton de désactivation d'alarme pour supprimer le message d'erreur.

Veuillez consulter la section « solutions conseillées pour le dépannage » dans votre manuel si vous constatez que l'indicateur est allumé.

2. Fonction Économie d'énergie (Arrêt de l'affichage) :

Si les portes du réfrigérateur restent fermées pendant longtemps, la fonction Économie d'énergie s'active automatiquement et le symbole d'économie d'énergie s'allume. (🌿)



***en option :** Les chiffres présentés dans ce guide sont à titre indicatif et peuvent ne pas correspondre à votre appareil. Si votre appareil ne dispose pas des parties citées, alors l'information s'applique à d'autres modèles.

Utilisation de l'appareil

Si la fonction Économie d'énergie est active, tous les symboles de l'écran hormis celui de l'Économie d'énergie s'éteindront. Lorsque la fonction Économie d'énergie est active, si vous appuyez sur un bouton quelconque ou ouvrez la porte, cette fonction se désactive et les symboles affichés redeviennent normaux. La fonction Économie d'énergie est activée à la sortie du réfrigérateur de l'usine et ne peut être annulée.

3. Fonction de réfrigération rapide

Ce bouton est doté de deux fonctions. Appuyez brièvement sur ce bouton pour activer ou désactiver la fonction de refroidissement rapide. L'indicateur de refroidissement rapide s'éteint et l'appareil retourne à son réglage normal. (📱)



Utilisez la fonction de refroidissement rapide lorsque vous souhaitez refroidir rapidement les aliments placés dans le compartiment réfrigérateur. Si vous souhaitez refroidir de grandes quantités d'aliments frais, nous vous recommandons d'activer cette fonction au préalable.



Après 8 heures de temps ou lorsque le compartiment réfrigérateur atteint la température souhaitée, la fonction de refroidissement rapide s'annulera automatiquement si vous ne le faites pas.



Si vous appuyez sur le bouton de refroidissement rapide de façon répétée à des intervalles courts, alors le système de protection du circuit électronique s'activera et le compresseur ne démarrera pas automatiquement.



Cette fonction n'est pas reprise lorsque le courant est rétabli après une panne de courant.

4. Bouton de réglage de la température du compartiment réfrigérateur

Appuyez sur ce bouton pour régler la température du compartiment réfrigérateur à 8, 7, 6, 5, 4, 3, 2, 8 respectivement. Appuyez sur ce bouton pour définir la température souhaitée pour le compartiment du réfrigérateur. (📱)

5. Fonction Vacances

Pour activer la fonction Vacances, il suffit d'appuyer sur ce bouton (☀️) pendant 3 secondes, et l'indicateur du mode Vacances (🌞) s'active. Si la fonction Vacances est activée, " - - " s'affiche sur l'indicateur de température du compartiment réfrigérateur et aucun refroidissement actif n'est sélectionné sur le compartiment réfrigérateur. Il n'est pas adapté de conserver les denrées dans le compartiment réfrigérateur lorsque cette fonction est activée. D'autres compartiments doivent continuer à se refroidir conformément à leur température réglée.

Pour désactiver cette fonction, appuyez à nouveau sur le bouton de la **fonction Vacances**.

6. Avertissement de désactivation d'alarme :

En cas d'alarme de coupure de courant / température élevée, après avoir vérifié les aliments stockés dans le compartiment congélateur, appuyez sur le bouton de désactivation d'alarme (🔕) pour supprimer le message d'avertissement.

7. Key lock (Verrouillage des commandes)

Appuyez simultanément sur le bouton Key lock (🔒) pendant 3 secondes. Symbole de verrouillage des commandes (🔒) s'allume et le mode Verrouillage des commandes est activé. Les boutons ne fonctionneront pas si le mode Verrouillage des commandes est actif.

Utilisation de l'appareil

Appuyez simultanément sur le bouton Key lock pendant 3 secondes à nouveau. Le symbole de verrouillage des commandes s'éteint et le mode Verrouillage des commandes est désactivé.

Appuyez sur le bouton **key lock** si vous souhaitez éviter toute modification du réglage de température du réfrigérateur (🔒).

8. Eco fuzzy

Appuyez et maintenez enfoncé le bouton Eco fuzzy pendant 1 seconde pour activer la fonction Eco fuzzy. Le réfrigérateur commence à fonctionner dans le mode le plus économique au moins 6 heures plus tard, et l'indicateur d'utilisation économique s'allume une fois que la fonction est active (🌿). Appuyez et maintenez enfoncé le bouton Eco fuzzy pendant 3 secondes pour désactiver la fonction Eco fuzzy.

Ce témoin s'allume après 6 heures lorsque le bouton Eco fuzzy est activé.

9. Bouton de réglage de la température du compartiment de congélation

Appuyez sur ce bouton pour régler la température du compartiment de congélation à -18, -19, -20, -21, -22, -23, -24, -18... respectivement. Appuyez sur ce bouton pour définir la valeur de température souhaitée pour le compartiment du congélateur. (🌡️)

10. Indicateur du distributeur de glaçons désactivé

Indique si le distributeur de glaçons est activé ou non. (❄️) Si l'indicateur est activé, alors le distributeur de glaçons ne fonctionne pas. Pour activer le distributeur de glaçons à nouveau, maintenez le bouton Marche-Arrêt enfoncé pendant 3 secondes.



L'arrivée d'eau du réservoir à eau sera arrêtée en sélectionnant cette fonction. Toutefois, les glaçons déjà formés peut être retirés du distributeur.

11. Bouton de la fonction congélation rapide / Bouton Marche/Arrêt du distributeur de glaçons

Appuyez sur ce bouton pour activer ou désactiver la fonction de congélation rapide. Lorsque vous activez la fonction, le compartiment congélateur sera refroidi à une température inférieure à la valeur de consigne.



Pour activer et désactiver le distributeur de glaçons, maintenez le bouton enfoncé pendant 3 secondes.



Utilisez la fonction de congélation rapide lorsque vous souhaitez congeler rapidement les aliments placés dans le compartiment réfrigérateur. Si vous souhaitez congeler de grandes quantités d'aliments, nous vous recommandons d'activer cette fonction au préalable.



Après 4 heures de temps ou lorsque le compartiment réfrigérateur atteint la température souhaitée, la fonction de congélation rapide s'annule automatiquement si vous ne le faites pas.



Cette fonction n'est pas reprise lorsque le courant est rétabli après une panne de courant.

Utilisation de l'appareil

12. Voyant d'économie d'énergie

Indique que le réfrigérateur fonctionne en mode d'économie d'énergie. **(eco)** Cet indicateur est activé si la température du compartiment congélateur est réglée sur -18 ou si le refroidissement à économie d'énergie est réalisé suite à l'activation de la fonction Eco Extra.



Le voyant d'économie d'énergie s'éteint lorsque la fonction de réfrigération rapide ou de congélation rapide est sélectionnée.

Utilisation de l'appareil

5.6. Seau à glace

(En option)

- Retirez le seau à glace du compartiment congélateur.
- Remplissez-le d'eau.
- Remplacez le seau à glace dans le compartiment congélateur.
- Les glaçons seront prêts après environ deux heures. Retirez le seau à glace du compartiment congélateur et tordez-le légèrement au-dessus du support dans lequel vous souhaitez servir les glaçons. Les glaçons se verseront donc facilement dans le support dans lequel vous souhaitez les servir.

5.7. Support d'œufs

Vous pouvez placer le support d'œufs sur la porte ou l'étagère de votre choix. Si vous décidez de le placer sur l'étagère, il est recommandé de le placer sur les étagères inférieures car elles sont plus froides.

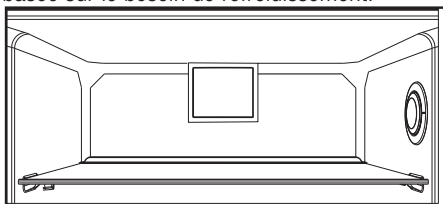


Évitez de placer le support d'œufs dans le compartiment congélateur.

5.8. Ventilateur

Le ventilateur a été conçu pour faire circuler de manière homogène l'air froid à l'intérieur de votre réfrigérateur. La durée de fonctionnement du ventilateur varie en fonction des propriétés de votre appareil.

Dans certains réfrigérateurs, le ventilateur fonctionne uniquement avec compresseur, dans d'autres systèmes de commande, il permet de déterminer la durée de fonctionnement basée sur le besoin de refroidissement.



5.9. Bac à légumes

(En option)

Le bac à légumes du réfrigérateur est conçu pour conserver les légumes frais en préservant l'humidité. Pour cela, la circulation de la totalité de l'air froid est intensifiée dans le bac à légumes.

5.10. Compartiment zéro degré

(En option)

Utilisez ce compartiment pour conserver de l'épicerie fine à des températures faibles, ou des produits carnés destinés à une consommation immédiate.

Le compartiment Zéro degré est l'endroit le plus froid où vous pouvez conserver les aliments tels que les produits laitiers, la viande, le poisson et la volaille dans des conditions idéales. Les légumes et/ou fruits ne doivent pas être conservés dans ce compartiment.

Utilisation de l'appareil

5.11. Balconnet de porte amovible

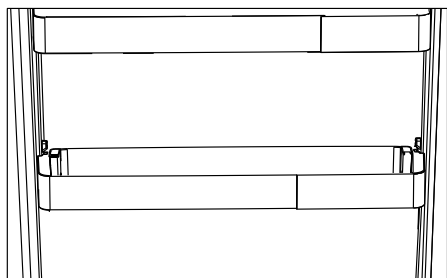
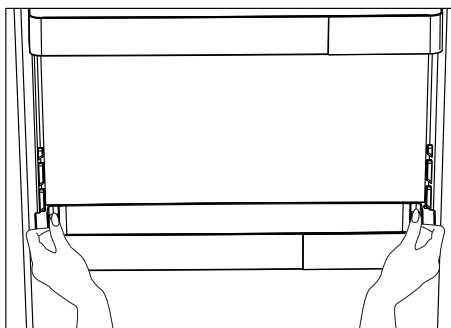
(En option)

Le balconnet de porte amovible peut être fixé de 3 manières différentes.

Pour déplacer le balconnet, appuyez uniformément sur les boutons situés sur le côté. Ainsi, le balconnet est amovible.

Déplacez le balconnet vers le haut ou vers le bas.

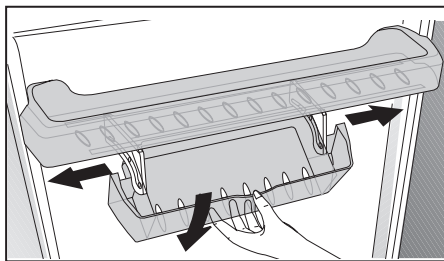
Une fois que ce dernier se trouve dans la position de votre choix, relâchez les boutons. Assurez-vous que le balconnet est fixé à nouveau à la position initiale.



5.12. Boîte de stockage coulissante (En option)

Cet accessoire a été conçu dans le but de renforcer les capacités des balconnets de porte.

Grâce à sa capacité à se déplacer latéralement, elle vous permet de disposer facilement de longues bouteilles, des bocaux ou des boîtes que vous placez dans le range-bouteilles inférieur.



Utilisation de l'appareil

5.13. Bac à légumes à humidité contrôlée

(En option)

Grâce à la fonction de contrôle de l'humidité, la quantité d'humidité de légumes et de fruits est maintenue sous contrôle. Cette fonction assure également une période de fraîcheur prolongée pour les aliments.

Il est recommandé de ne pas conserver les légumes à feuilles vertes, tels que les feuilles de laitue, les épinards, ainsi que les légumes similaires générant une perte d'humidité, sur leurs racines, mais en position horizontale dans le bac à légumes, autant que possible.

Lorsque vous stockez les légumes, placez les légumes lourds et durs au fond du bac et les légumes légers et doux au-dessus, en tenant compte des poids spécifiques de légumes.

Ne placez pas les légumes dans le bac à légumes lorsqu'ils sont encore dans les sacs en plastique. Lorsque vous les laissez dans les sacs en plastique, ces légumes pourrissent en un laps de temps. En cas de mélange de légumes non recommandé, utilisez des matériaux d'emballage tels que le papier qui possède une certaine porosité en termes d'hygiène.

Évitez de placer des fruits qui ont une production de gaz à haute teneur en éthylène tels que la poire, l'abricot, la pêche et en particulier la pomme dans le même bac à légumes que d'autres légumes et fruits. Le gaz d'éthylène provenant de ces fruits pourrait accélérer la maturité d'autres légumes et fruits qui pourraient pourrir en un laps de temps.

5.14. Machine à glace automatique (En option)

La machine à glace automatique vous permet de faire facilement des glaçons dans votre réfrigérateur. Pour obtenir des glaçons à partir de la machine à glace, retirez le réservoir d'eau du compartiment réfrigérateur, remplissez-le d'eau et remplacez-le.

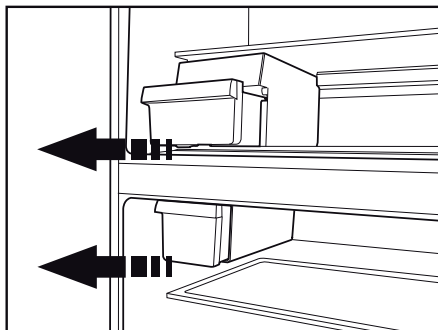
Les premiers glaçons seront prêts dans environ 2 heures dans le tiroir à glace situé dans le compartiment réfrigérateur.

Après avoir placé le réservoir rempli, vous pouvez obtenir environ 60 à 70 cubes de glace jusqu'à ce qu'il soit entièrement vide.

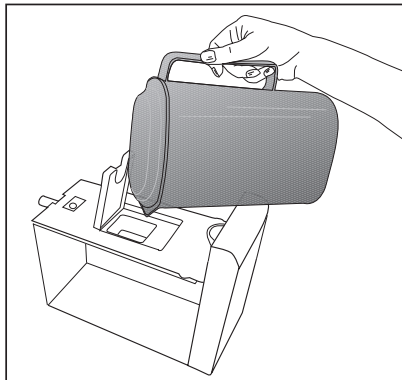
Si l'eau contenue dans le réservoir date de 2 à 3 semaines, veuillez la remplacer.



Dans les réfrigérateurs équipés de machine à glace automatique, vous pourriez entendre un son lorsque vous versez la glace. Ce phénomène est tout à fait normal et ne constitue nullement un signe de dysfonctionnement.



Utilisation de l'appareil



5.15. Distributeur et récipient de conservation de glaçons (dans certains modèles)

Utilisation du distributeur

Remplissez le distributeur de glaçons avec de l'eau et remettez-le à sa place. Vos glaçons seront prêts dans environ deux heures. Ne pas retirer le distributeur de glaçons de son logement pour prendre de la glace.

Tournez les molettes des réservoirs à glaçons dans le sens des aiguilles d'une montre, de manière à former un angle de 90 degrés.

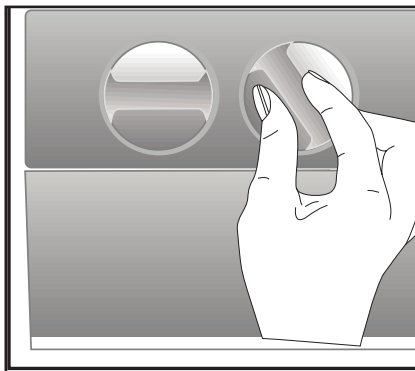
Les glaçons contenus dans les réservoirs tomberont dans le récipient de conservation de glaçons situé en dessous.

Vous pouvez alors sortir le récipient de conservation de glaçons et servir les glaçons.

Si vous le désirez, vous pouvez laisser les glaçons dans leur récipient de conservation.

Récipient de conservation de glaçons

Le récipient de conservation de glaçons sert simplement à accumuler les glaçons. Ne versez pas d'eau à l'intérieur. Cela peut le casser.

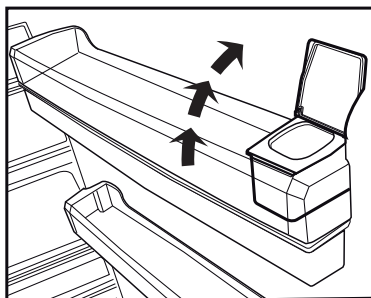
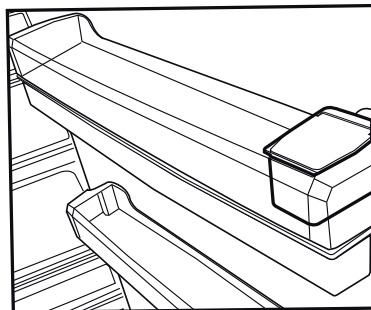
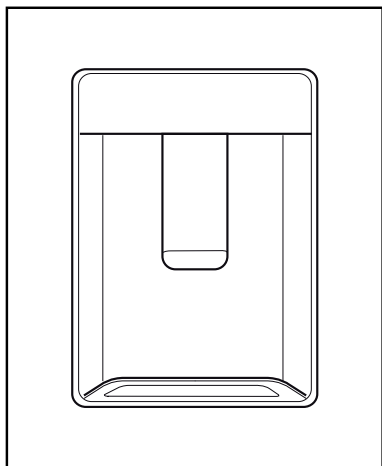


Utilisation de l'appareil

5.16. Distributeur d'eau

*en option

Cette fontaine est très important pour obtenir de l'eau fraîche sans avoir à ouvrir la porte de votre réfrigérateur. Comme vous n'aurez pas à ouvrir fréquemment la porte de votre réfrigérateur, cela vous permettra d'économiser de l'énergie.



5.17. Utilisation du distributeur

Appuyez sur le bouton de la fontaine avec votre verre. La fontaine cessera de fonctionner lorsque vous aurez relâché le bouton.

Pendant le fonctionnement de la fontaine, vous pouvez obtenir une quantité maximale en appuyant à fond sur le bouton. N'oubliez pas que la quantité de liquide obtenue est fonction du degré d'appui que vous exercez sur le bouton.

A mesure que le niveau d'eau de votre tasse / verre augmente, réduisez doucement la quantité de pression du bouton pour éviter tout risque de débordement. Si vous appuyez légèrement sur le bouton, l'eau s'écoulera ; ce phénomène est tout à fait normal et n'est pas un dysfonctionnement.

Remplir le réservoir d'eau de la fontaine frigorigère

Le réservoir d'approvisionnement en eau se trouve dans le balconnet de la porte. Vous pouvez ouvrir le couvercle du réservoir et remplir celui-ci d'eau potable. Refermez ensuite le couvercle.

Avertissement !

- Ne remplissez pas le réservoir avec un liquide autre que de l'eau des boissons gazeuses, alcooliques, jus de fruits ou autres ne sont pas adaptés pour être utilisés avec le distributeur d'eau. Si de tels liquides sont utilisés, le distributeur connaîtra un dysfonctionnement et peut être profondément endommagé. La garantie ne couvre pas de telles utilisations. Certaines substances chimiques et certains additifs contenus dans de telles boissons / breuvages peuvent également endommager le réservoir d'eau.

Utilisation de l'appareil

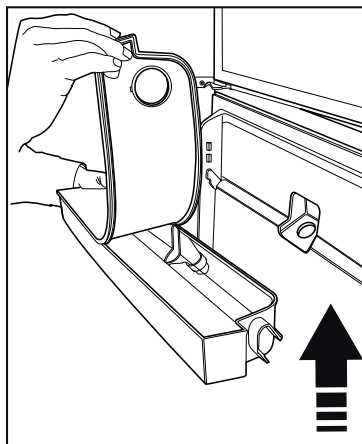
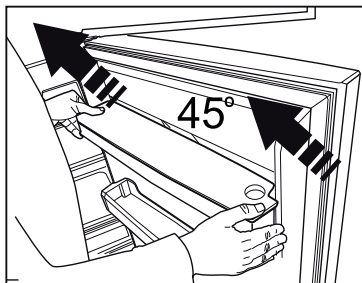
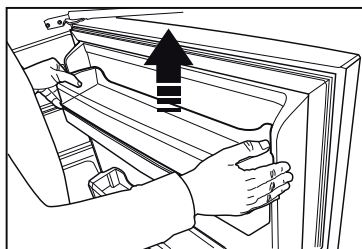
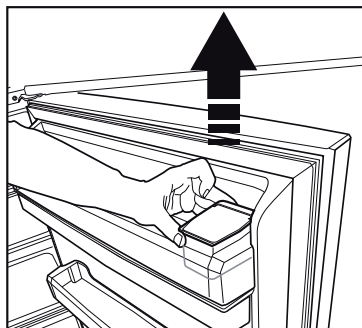
- Utilisez uniquement de l'eau potable propre.
- La capacité du réservoir est de 3 litres; ne dépassez pas la limite.
- Appuyez sur le bouton de la fontaine avec votre verre. Si vous utilisez une tasse jetable, poussez le bouton avec vos doigts à partir de l'arrière de la tasse.

5.18. Nettoyer le réservoir d'eau

- Retirez le réservoir d'approvisionnement en eau du balconnet de la porte.
- Retirez le balconnet de la porte en le tenant par les deux côtés.
- Tenez le réservoir par ses deux côtés et retirez-le selon un angle de 45 degrés.
- Retirez le couvercle afin de nettoyer le réservoir.

Important :

Le réservoir d'eau et les composants du distributeur d'eau ne peuvent pas être passés au lave-vaisselle.



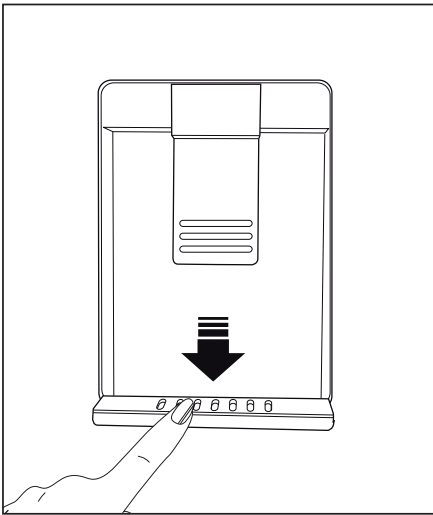
Utilisation de l'appareil

5.19. Bac à eau

L'eau qui s'écoule lors de l'utilisation du distributeur d'eau s'accumule dans le bac de dégivrage.

Retirez la crépine en plastique comme sur le schéma.

Essuyez l'excédent d'eau à l'aide d'un chiffon propre et sec.



Utilisation de l'appareil

5.20. Congélation des produits frais

- Pour conserver la qualité des aliments, les denrées placées dans le compartiment congélateur doivent être congelées le plus rapidement possible, à l'aide de la fonction de congélation rapide.
- Le fait de congeler les denrées à l'état frais prolongera la durée de conservation dans le compartiment congélateur.
- Emballez les aliments dans des emballages sous vide et scellez-les correctement.
- Assurez-vous que les aliments sont emballés avant de les placer dans le congélateur. Utilisez des récipients pour congélateur, du papier aluminium et du papier résistant à l'humidité, des sacs en plastique ou du matériel d'emballage similaire au lieu d'un papier d'emballage ordinaire.



La glace contenue dans le compartiment congélateur dégèle automatiquement.

- Marquez chaque emballage en y écrivant la date avant de le placer au congélateur. Ceci vous permettra de déterminer la fraîcheur de chaque paquet lors des ouvertures du congélateur. Mettez les aliments les plus anciens à l'avant pour vous assurer qu'ils sont utilisés en premier.
- Les aliments congelés doivent être utilisés immédiatement après le dégivrage et ne doivent pas être congelés à nouveau.
- Ne retirez pas de grandes quantités d'aliments au même moment.

5.21. Recommandations relatives à la conservation des aliments congelés

Le compartiment doit être réglé à -18 °C minimum.

1. Placez les aliments dans le congélateur le plus rapidement possible pour éviter leur dégivrage.
2. Avant de les faire dégivrer, vérifiez la « date d'expiration » sur l'emballage pour vous assurer de l'état des aliments.
3. Assurez-vous que l'emballage de l'aliment n'est pas endommagé.

Réglage de la température du compartiment congélateur	Réglage de la température du compartiment réfrigéré	Détails
-18°C	4°C	Ceci est le paramètre par défaut recommandé.
-20, -22 ou -24°C	4°C	Ces réglages sont recommandés pour des températures ambiantes excédant 30 °C.
Congélation rapide	4°C	Cet indicateur est utilisé lorsque vous souhaitez congeler vos aliments pendant une courte période. Une fois le processus terminé, l'appareil retourne à son réglage initial.
Inférieure ou égale à -18°C	2°C	Utilisez ces réglages si vous estimez que le compartiment réfrigéré n'est pas assez frais à cause de la température ambiante ou de l'ouverture fréquente de la porte.

Utilisation de l'appareil

5.22. Informations relatives au congélateur

Selon la norme CEI 62552, le congélateur doit être doté d'une capacité de congélation des aliments de 4,5 kg à une température inférieure ou égale à -18 °C en 24 heures pour chaque 100 litres du volume du compartiment congélateur.

Les aliments peuvent être préservés pour des périodes prolongées uniquement à des températures inférieures ou égales à -18 °C.

Vous pouvez garder les aliments frais pendant des mois (dans le congélateur à des températures inférieures ou égales à 18 °C). Les aliments à congeler ne doivent pas être en contact avec ceux déjà congelés pour éviter un dégivrage partiel.

Faites bouillir les légumes et filtrer l'eau pour prolonger la durée de conservation à l'état congelé. Placez les aliments dans des conditionnements hermétiques après filtrage et placez-les dans le congélateur. Les bananes, les tomates, les feuilles de laitue, le céleri, les oeufs durs, les pommes de terre et les aliments similaires ne doivent pas être congelés. Lorsque les aliments pourrissent, seules les valeurs nutritionnelles et les qualités alimentaires sont négativement affectées. Il ne s'agit pas d'un aliment détérioré susceptible de constituer un danger pour la santé humaine.

5.23. Disposition des denrées

Étagères du compartiment congélateur	Vous pouvez congeler différents aliments comme de la viande, du poisson, des crèmes glacées, des légumes, etc.
Étagères du compartiment réfrigérateur	Les aliments contenus dans des casseroles, des plats couverts, des gamelles et les œufs (dans des gamelles)

Balconnets de la porte du compartiment réfrigérateur	Aliments emballés et de petite taille ou des boissons
Bac à légumes	Fruits et légumes
Compartiment des aliments frais	Épicerie fine (aliments pour petit déjeuner, produits carnés à consommer à court terme)

5.24. Alerte ouverture de porte (En option)

Un signal sonore est émis si la porte de l'appareil reste ouverte pendant au moins 1 minute. Le signal sonore s'arrête à la fermeture de la porte ou lorsqu'on appuie sur bouton de l'écran (si disponible).

Ce signal destiné à l'utilisateur est à la fois audible et visuel. Le voyant intérieur s'allume si le signal d'avertissement est émis pendant 10 minutes.

5.25. Inversion de la direction d'ouverture de la porte

Vous pouvez inverser le sens d'ouverture de votre réfrigérateur, en fonction de son emplacement. Lorsque vous souhaitez effectuer cette opération, contactez le service agréé le plus proche.

L'explication ci-dessus est une déclaration générale. Veuillez vérifier l'étiquette d'avertissement située à l'intérieur de l'emballage de votre appareil, au sujet de l'inversion de la direction de la porte.

5.26. Éclairage interne

L'éclairage interne utilise une lampe de type DEL. Contactez le service agréé pour tout problème lié à cette lampe.

N'utilisez pas l'ampoule de cet appareil pour l'éclairage des maisons. Cette ampoule a été conçue pour permettre à l'utilisateur de placer les aliments dans le réfrigérateur / congélateur en toute sécurité et confortablement.

Un nettoyage régulier prolonge la durée de vie de votre réfrigérateur



AVERTISSEMENT : Débranchez votre réfrigérateur avant de le nettoyer.

- N'utilisez jamais d'outils pointus et abrasifs, de savon, de produits nettoyage domestiques, d'essence, de carburant, du cirage ou des substances similaires pour le nettoyage du produit.
- Faites dissoudre une cuillerée à café de carbonate dans de l'eau. Trempez un morceau de tissu dans cette eau et essorez-le. Nettoyez soigneusement l'appareil avec ce chiffon et ensuite avec un chiffon sec.
- Veillez à ne pas mouiller le logement de la lampe ainsi que d'autres composants électriques.
- Nettoyez la porte à l'aide d'un chiffon humide. Retirez tous les aliments avant le retrait de la porte et des balconnets. Retirez les balconnets de la porte en les tirant vers le haut. Nettoyez et séchez les étagères, puis refixez-les en les faisant glisser à partir du haut.
- N'utilisez pas d'eau contenant du chlore, ou des produits de nettoyage pour les surfaces externes et les pièces chromées de l'appareil. Le chlore provoque la rouille de ces surfaces métalliques.

6.1. Prévention des mauvaises odeurs

À sa sortie d'usine, cet appareil ne contient aucun matériau odorant. Cependant, la conservation des aliments dans des sections inappropriées et le mauvais nettoyage de l'intérieur peuvent donner lieu aux mauvaises odeurs.

Pour éviter cela, nettoyez l'intérieur à l'aide de carbonate dissout dans l'eau tous les 15 jours.

- Conservez les aliments dans des récipients fermés. Les micro-organismes pourraient se propager sur les produits alimentaires non fermés et émettre de mauvaises odeurs.

- Ne conservez pas d'aliments périmés ou avariés dans le réfrigérateur.

6.2. Protection des surfaces en plastique

Si de l'huile se répand sur les surfaces en plastique, il faut immédiatement les nettoyer avec de l'eau tiède, sinon elles seront endommagées.

6.3. Vitre de porte

Retirez le film protecteur qui recouvre les vitres.

La surface des vitres est dotée d'un revêtement.

Il s'agit d'une sorte de revêtement qui élimine les taches au minimum et permet un nettoyage facile des taches formées. Toutes vitres non protégées à l'aide d'un revêtement pourraient être exposées à la dépendance permanente des organismes pathogènes propagés par l'air et l'eau ou des agents inorganiques tels que le calcaire, les sels minéraux, les hydrocarbures imbrûlés, les oxydes et silicones métalliques qui causent facilement des taches et des dommages physiques dans une courte durée. Par conséquent, le maintien des vitres propres devient très difficile, malgré le lavage fréquent. En outre, la clarté et l'apparence propre des vitres sont impossibles. Des méthodes et composants de nettoyage décapants et corrosifs intensifient ce défaut et accélèrent le processus d'abrasion.

Pour les travaux de nettoyage de routine, il est recommandé d'utiliser des produits de nettoyage à base d'eau qui sont non-alcalins et non-abrasifs. Pour prolonger la durée de vie de ce revêtement, évitez d'utiliser des matériaux alcalins et abrasifs. Ces vitres ont subi un processus d'humidification, afin de les protéger contre tous chocs et brisement.

En plus des vitres, un film de sécurité a été appliqué à la surface arrière afin d'éviter les dommages à l'environnement dans le cas où elles se briseraient.

*L'alcali est une base qui forme les ions d'hydroxyde (OH) lorsqu'il est dissout dans de l'eau.

Les métaux Li (Lithium), Na (Sodium), K (Potassium), Rb (Rubidium), Cs (Caesium) et radioactifs Fr (Francium) constituent les MÉTAUX ALCALI.

7 Dépannage

Parcourez la liste ci-après avant de contacter le service de maintenance. Cela devrait vous éviter de perdre du temps et de l'argent. Cette liste répertorie les plaintes fréquentes ne provenant pas de vices de fabrication ou des défauts de pièces. Certaines fonctionnalités mentionnées dans ce manuel peuvent ne pas exister sur votre modèle.

Le réfrigérateur ne fonctionne pas.

- La fiche d'alimentation n'est pas bien fixée. >>> Branchez-la en l'enfonçant complètement dans la prise.
- Le fusible branché à la prise qui alimente l'appareil ou le fusible principal est grillé. >>> Vérifiez le fusible.

Condensation sur la paroi latérale du congélateur (MULTI ZONE, COOL, CONTROL et FLEXI ZONE).

- La porte est ouverte trop fréquemment >>> Évitez d'ouvrir trop fréquemment la porte de l'appareil.
- L'environnement est trop humide. >>> N'installez pas l'appareil dans des endroits humides.
- Les aliments contenant des liquides sont conservés dans des récipients non fermés. Conservez ces aliments dans des emballages scellés.
- La porte de l'appareil est restée ouverte. >>> Ne laissez pas la porte du réfrigérateur ouverte longtemps.
- Le thermostat est réglé à une température trop basse. >>> Réglez le thermostat à la température appropriée.

Le compresseur ne fonctionne pas.

- En cas de coupure soudaine de courant ou de débranchement intempestif, la pression du gaz dans le système de réfrigération de l'appareil n'est pas équilibrée, ce qui déclenche la fonction de conservation thermique du compresseur. L'appareil se remet en marche au bout de 6 minutes environ. Dans le cas contraire, veuillez contacter le service de maintenance.
- L'appareil est en mode dégivrage. >>> Ce processus est normal pour un appareil à dégivrage complètement automatique. Le dégivrage se déclenche périodiquement.
- L'appareil n'est pas branché. >>> Vérifiez que le cordon d'alimentation est connecté à la prise.
- Le réglage de température est inapproprié. >>> Sélectionnez le réglage de température approprié.
- Cas de coupure de courant. >>> L'appareil continue de fonctionner normalement dès le retour du courant.

Le bruit du réfrigérateur en fonctionnement s'accroît pendant son utilisation.

- Le rendement de l'appareil en fonctionnement peut varier en fonction des fluctuations de la température ambiante. Ceci est normal et ne constitue pas un dysfonctionnement.

Le réfrigérateur fonctionne fréquemment ou pendant de longues périodes.

Dépannage

- Il se peut que le nouvel appareil soit plus grand que l'ancien. Les appareils plus grands fonctionnent plus longtemps.
- La température de la pièce est probablement élevée. Il est normal que l'appareil fonctionne plus longtemps lorsque la température de la pièce est élevée.
- L'appareil vient peut-être d'être branché ou chargé de nouveaux aliments. >>> L'appareil met plus longtemps à atteindre la température réglée s'il vient d'être branché ou récemment rempli d'aliments. Ce phénomène est normal.
- Il est possible que des quantités importantes d'aliments chauds aient été récemment placées dans l'appareil. >>> Ne placez pas d'aliments chauds dans votre appareil.
- Les portes étaient ouvertes fréquemment ou sont restées longtemps ouvertes. >>> L'air chaud circulant à l'intérieur de l'appareil le fera fonctionner plus longtemps. N'ouvrez pas les portes trop régulièrement.
- Le congélateur ou le réfrigérateur est peut-être resté entrouvert. >>> Vérifiez que les portes sont bien fermées.
- L'appareil peut être réglé à une température trop basse. >>> Réglez la température à un degré supérieur et patientez que l'appareil atteigne la nouvelle température.
- Le joint de la porte du réfrigérateur ou du congélateur peut être sale, usé, brisé ou mal positionné. >>> Nettoyez ou remplacez le joint. Si le joint de la porte est endommagé ou arraché, l'appareil mettra plus de temps à conserver la température actuelle.

La température du réfrigérateur est très basse, alors que celle du congélateur est appropriée.

- La température du compartiment congélateur est réglée à un degré très bas. >>> Réglez la température du compartiment congélateur à un degré supérieur et procédez de nouveau à la vérification.

La température du réfrigérateur est très basse, alors que celle du congélateur est appropriée.

- La température du compartiment réfrigérateur est réglée à un degré très bas. >>> Réglez la température du compartiment congélateur à un degré supérieur et procédez de nouveau à la vérification.

Les aliments conservés dans le compartiment réfrigérateur sont congelés.

- La température du compartiment réfrigérateur est réglée à un degré très bas. >>> Réglez la température du compartiment congélateur à un degré supérieur et procédez de nouveau à la vérification.

La température du compartiment réfrigérateur ou congélateur est très élevée.

Dépannage

- La température du compartiment réfrigérateur est réglée à un degré très élevé.
>>> Le réglage de la température du compartiment réfrigérateur a un effet sur la température du compartiment congélateur. Patientez que la température des parties concernées atteigne le niveau suffisant en changeant la température des compartiments réfrigérateur et congélateur.
- Les portes étaient ouvertes fréquemment ou sont restées longtemps ouvertes.
>>> N'ouvrez pas les portes trop régulièrement.
- La porte est peut-être restée ouverte. >>> Fermez hermétiquement la porte du réfrigérateur.
- L'appareil vient peut-être d'être branché ou chargé de nouveaux aliments.
>>> Ce phénomène est normal. L'appareil met plus longtemps à atteindre la température réglée s'il vient d'être branché ou récemment rempli d'aliments.
- Il est possible que des quantités importantes d'aliments chauds aient été récemment placées dans l'appareil. >>> Ne placez pas d'aliments chauds dans votre appareil.

En cas de vibrations ou de bruits.

- Le sol n'est pas plat ou solide. >>> Si l'appareil balance lorsqu'il est déplacé doucement, ajustez les supports afin de le remettre en équilibre. Vérifiez également que le sol est assez solide pour supporter le poids de l'appareil.
- Les éléments placés sur le réfrigérateur pourraient faire du bruit. >>> Veuillez les retirer.

L'appareil émet un bruit d'écoulement de liquide ou de pulvérisation, etc.

- Le fonctionnement de l'appareil implique des écoulements de liquides et des émissions de gaz. >>> Ce phénomène est normal et ne constitue pas un dysfonctionnement.

L'appareil émet un sifflement.

- L'appareil effectue le refroidissement à l'aide d'un ventilateur. Ceci est normal et ne constitue pas un dysfonctionnement.

Les parois internes de l'appareil présentent une condensation.

- Un climat chaud ou humide accélère le processus de givrage et de condensation. Ceci est normal et ne constitue pas un dysfonctionnement.
- Les portes étaient ouvertes fréquemment ou sont restées longtemps ouvertes.
>>> N'ouvrez pas les portes trop fréquemment ; fermez-les lorsqu'elles sont ouvertes.
- La porte est peut-être restée ouverte. >>> Fermez hermétiquement la porte du réfrigérateur.

Il y a de la condensation sur les parois externes ou entre les portes de l'appareil.

- Il se peut que le climat ambiant soit humide, auquel cas cela est normal. >>> La condensation se dissipe lorsque l'humidité baisse.

Présence d'une odeur désagréable dans l'appareil.

Dépannage

- • L'appareil n'est pas nettoyé régulièrement. >>> Nettoyez régulièrement l'intérieur du réfrigérateur en utilisant une éponge, de l'eau chaude et de l'eau gazeuse.
- • Certains récipients et matériaux d'emballage sont peut-être à l'origine de mauvaises odeurs. >>> Utilisez des récipients et des emballages exempts de toute odeur.
- • Les aliments ont été placés dans des récipients non fermés. >>> Conservez les aliments dans des récipients fermés. Les micro-organismes pourraient se propager sur les produits alimentaires non fermés et émettre de mauvaises odeurs. Retirez tous les aliments périmés ou avariés de l'appareil.

La porte ne se ferme pas.

- Des emballages d'aliments peuvent bloquer la porte. >>> Déplacez tout ce qui bloque les portes.
- L'appareil ne se tient pas parfaitement droit sur le sol. >>> Ajustez les pieds afin de remettre l'appareil en équilibre.
- Le sol n'est pas plat ou solide. >>> Assurez-vous que le sol est plat et assez solide pour supporter le poids de l'appareil.

Le bac à légumes est engorgé.

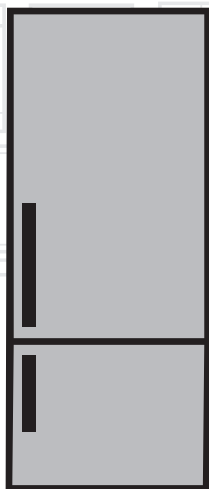
- Il est possible que les aliments soient en contact avec la section supérieure du tiroir. >>> Reclasser les aliments dans le tiroir.



AVERTISSEMENT : Si le problème persiste même après observation des instructions contenues dans cette partie, contactez votre fournisseur ou un service de maintenance agréé. N'essayez pas de réparer l'appareil de vous-même.

Gefrierschrank

Bedienungsanleitung



DEI

beko

Bitte lesen Sie zuerst diese Anleitung!

Liebe Kundin, lieber Kunde,

Wir möchten, dass Sie optimale Effizienz von unserem Produkt erhalten, das in modernen Einrichtungen mit sorgfältigen Qualitätskontrollen hergestellt wurde.

Bitte lesen Sie die Bedienungsanleitung zu diesem Zweck vor Benutzung des Produktes vollständig und bewahren Sie sie zum Nachschlagen auf. Falls Sie das Produkt an eine andere Person weitergeben, händigen Sie bitte auch diese Anleitung aus.




Die Bedienungsanleitung gewährleistet die schnelle und sichere Benutzung des Produktes.

- Bitte lesen Sie die Bedienungsanleitung, bevor Sie das Produkt aufstellen und bedienen.
- Halten Sie stets die zutreffenden Sicherheitshinweise ein.
- Bewahren Sie die Bedienungsanleitung zum künftigen Nachschlagen an einem leicht zugänglichen Ort auf.
- Bitte lesen Sie alle anderen mit dem Produkt bereitgestellten Dokumente.

Beachten Sie, dass diese Bedienungsanleitung auf verschiedene Produktmodelle zutreffen kann. Die Anleitung zeigt jegliche Abweichungen unterschiedener Modelle deutlich an.

Symbole und Anmerkungen

In der Bedienungsanleitung verwenden wir folgende Symbole:

	Wichtige Informationen und nützliche Tipps.
	Gefahr für Leib und Eigentum.
	Stromschlaggefahr.
	Die Produktverpackung besteht gemäß nationalen Umweltgesetzen aus recyclingfähigen Materialien.

1 Hinweise zu Sicherheit und Umwelt 3

- 1.1. Allgemeine Sicherheitshinweise 3
- 1.1.1 Wichtige Hinweise zum Kältemittel 6
- 1.1.2 Modelle mit Wasserspender 6
- 1.2. Bestimmungsgemäßer Einsatz 7
- 1.3. Sicherheit von Kindern 8
- 1.4. Einhaltung von WEEE-Vorgaben und Altgeräteentsorgung 8
- 1.5. Einhaltung von RoHS-Vorgaben 8
- 1.6. Hinweise zur Verpackung 8

2 Ihr Kühlschrank 9

3 Installation 10

- 3.1. Der richtige Aufstellungsort 10
- 3.2. Kunststoffkeile anbringen 10
- 3.3. Füße einstellen 10
- 3.4. Stromanschluss 11
- 3.5. Türanschlag umkehren 12
- 3.6. Türanschlag umkehren 13

4 Vorbereitungen 14

- 4.1. Maßnahmen zum Energiesparen 14
- 4.2. Erste Inbetriebnahme 14

5 Produkt verwenden 15

- 5.1. Temperatureinstelltaste 15
- 5.2. Schnellgefrieren 15
- 5.3. Urlaubsfunktion 16
- 5.4. Anzeigefeld 17
- 5.5. Anzeigefeld 19
- 5.6. Eisbehälter 22
- 5.7. Eierhalter 22
- 5.8. Lüfter 22
- 5.9. Gemüsefach 22
- 5.10. 0-Grad-Fach 22
- 5.11. Bewegliche Türablage 23
- 5.12. Verschiebbarer Vorratsbehälter 23
- 5.13. Feuchtigkeitskontrolliertes Gemüsefach . . 24
- 5.14. Automatischer Eisbereiter 24
- 5.15. Eisbereiter und Eisbehälter 25
- 5.16. Wasserspender 26
- 5.17. So benutzen Sie den Wasserspender . . . 26
- 5.18. Wassertank reinigen 27
- 5.19. Tropfschale 28
- 5.20. Frische Lebensmittel tiefkühlen 29
- 5.21. Empfehlungen zur Lagerung gefrorener Lebensmittel 29
- 5.22. Hinweise zum Tiefkühlbereich 30
- 5.23. Lebensmittel einlagern 30
- 5.24. Tür-offen-Alarm 30
- 5.25. Wechseln des Türanschlags 30
- 5.26. Innenbeleuchtung 30

6 Reinigung und Pflege 31

- 6.1. Unangenehme Gerüche verhindern 31
- 6.2. Kunststoffflächen richtig pflegen 31
- 6.3. Türglas 31

6 Reinigung und Pflege 32

7 Problemlösung 33

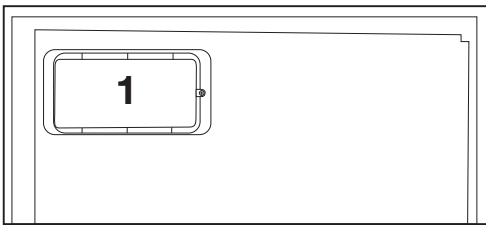
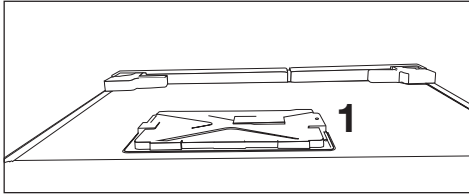
Dieser Abschnitt bietet die zur Vermeidung von Verletzungen und Materialschäden erforderlichen Sicherheitsanweisungen. Bei Nichtbeachtung dieser Anweisungen erlöschen jegliche Garantieansprüche.

1.1. Allgemeine Sicherheitshinweise

- Dieses Produkt darf nicht von Personen mit körperlichen, sensorischen oder mentalen Einschränkungen, einem Mangel an Erfahrung und Wissen oder von Kindern verwendet werden. Das Gerät darf nur dann von solchen Personen benutzt werden, wenn diese von einer für ihre Sicherheit verantwortlichen Person beaufsichtigt werden oder angeleitet wurden. Kinder dürfen nicht mit diesem Gerät spielen.
- Ziehen Sie bei Fehlfunktionen den Netzstecker des Gerätes.
- Warten Sie nach Ziehen des Netzsteckers mindestens 5 Minuten, bevor Sie ihn wieder anschließen.
- Ziehen Sie den Netzstecker, wenn Sie das Gerät nicht nutzen.
- Berühren Sie den Netzstecker niemals mit feuchten oder gar nassen Händen. Ziehen Sie beim Trennen niemals am Kabel, greifen Sie immer am Stecker.
- Wischen Sie den Netzstecker vor dem Einstecken mit einem trockenen Tuch ab.
- Schließen Sie den Kühlschrank nicht an lose Steckdosen an.
- Das Gerät muss bei Aufstellung, Wartungsarbeiten, Reinigung und bei Reparaturen vollständig vom Stromnetz getrennt werden.
- Falls das Produkt längere Zeit nicht benutzt wird, ziehen Sie den Netzstecker und nehmen Sie sämtliche Lebensmittel aus dem Kühlschrank.
- Verwenden Sie das Produkt nicht, wenn das Fach mit Leiterplatten im unteren

Hinweise zu Sicherheit und Umwelt

hinteren Bereich des Gerätes (Abdeckung des Fachs mit der elektrischen Karte) (1) geöffnet ist.

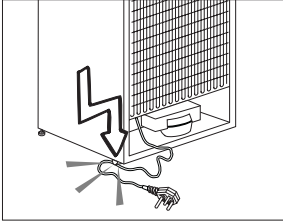


- Benutzen Sie keine Dampfreiniger oder ähnlichen Gerätschaften zum Reinigen oder Abtauen Ihres Gerätes. Der Dampf kann in Bereiche eindringen, die unter Spannung stehen. Kurzschlüsse oder Stromschläge können die Folge sein!

- Lassen Sie niemals Wasser direkt auf das Gerät gelangen; auch nicht zum Reinigen! Es besteht Stromschlaggefahr!
- Verwenden Sie das Produkt bei Fehlfunktionen nicht; es besteht Stromschlaggefahr! Wenden Sie sich als erstes an den autorisierten Kundendienst.
- Stecken Sie den Netzstecker des Gerätes in eine geerdete Steckdose. Die Erdung muss durch einen qualifizierten Elektriker vorgenommen werden.
- Falls das Gerät über eine LED-Beleuchtung verfügt, wenden Sie sich zum Auswechseln sowie im Falle von Problemen an den autorisierten Kundendienst.
- Berühren Sie gefrorene Lebensmittel nicht mit feuchten Händen! Sie können an Ihren Händen festfrieren!

Hinweise zu Sicherheit und Umwelt

- Geben Sie keine Flüssigkeiten in Flaschen oder Dosen in den Tiefkühlbereich. Sie können platzen!
- Geben Sie Flüssigkeiten in aufrechter Position in den Kühlschrank; zuvor den Deckel sicher verschließen.
- Sprühen Sie keine entflammaren Substanzen in die Nähe des Gerätes, da sie Feuer fangen oder explodieren könnten.
- Bewahren Sie keine entflammaren Materialien oder Produkte mit entflammaren Gasen (Sprays etc.) im Kühlschrank auf.
- Stellen Sie keine mit Flüssigkeiten gefüllten Behälter (z. B. Vasen) auf dem Gerät ab. Falls Wasser oder andere Flüssigkeiten an unter Spannung stehende Teile gelangen, kann es zu Stromschlägen oder Bränden kommen.
- Setzen Sie das Gerät keinem Regen, Schnee, direkten Sonnenlicht oder Wind aus; dies kann die elektrische Sicherheit gefährden. Verschieben Sie das Gerät nicht durch Ziehen an den Türgriffen. Die Griffe könnten sich lösen.
- Achten Sie darauf, dass weder Ihre Hände noch andere Körperteile von beweglichen Teilen im Inneren des Gerätes eingeklemmt oder gequetscht werden.
- Achten Sie darauf, nicht auf die Tür, Schubladen oder ähnliche Teile des Kühlschranks zu treten; lehnen Sie sich nicht daran an. Andernfalls könnte das Gerät umkippen, Teile könnten beschädigt werden.
- Achten Sie darauf, das Netzkabel nicht einzuklemmen.



Das Typenschild an der linken Innenwand des Kühlschranks gibt die Art des im Gerät verwendeten Gases an.

1.1.1 Wichtige Hinweise zum Kältemittel

Wenn das Gerät über ein Kühlsystem mit R600a-Gas verfügt, achten Sie darauf, das Kühlsystem und den dazugehörigen Schlauch während der Benutzung und des Transports nicht zu beschädigen. Dieses Gas ist leicht entflammbar. Bei Beschädigungen des Kühlsystems halten Sie das Gerät von potenziellen Zündquellen (z. B. offenen Flammen) fern und sorgen für eine gute Belüftung des Raumes.

1.1.2 Modelle mit Wasserspender

- Der Druck für die Kaltwasserzufuhr sollte maximal 90 psi (6,2 bar) betragen. Wenn der Wasserdruck in Ihrem Haushalt 80 psi (5,5 bar) übersteigt, verwenden Sie bitte ein Druckbegrenzungsventil in Ihrem Leitungssystem. Sollten Sie nicht wissen, wie der Wasserdruck gemessen wird, ziehen Sie bitte einen Fachinstallateur hinzu.
- Sollte für Ihr Leitungssystem das Risiko eines Wasserschlags (Druckstoß) bestehen, verwenden Sie stets eine geeignete Druckstoßsicherung.

Hinweise zu Sicherheit und Umwelt

- Wenden Sie sich bitte an einen Fachinstallateur, falls Sie sich über die Wasserschlaggefährdung in Ihrem Leitungssystem nicht sicher sein sollten.
- Nutzen Sie niemals die Warmwasserzufuhr für den Einbau. Treffen Sie geeignete Vorsichtsmaßnahmen zum Schutz der Leitungen gegen mögliches Einfrieren. Die für den Betrieb zulässige Wassertemperatur liegt im Bereich von mindestens 0,6°C (33°F) bis hin zu maximal 38°C (100°F).
 - Nutzen Sie ausschließlich Trinkwasser.
- ### 1.2. Bestimmungsgemäßer Einsatz
- Dieses Gerät ist für den Einsatz im Haushalt vorgesehen. Er eignet sich nicht zum kommerziellen Einsatz.
 - Das Produkt sollte ausschließlich zum Lagern von Lebensmitteln und Getränken verwendet werden.
 - Bewahren Sie keine empfindlichen Produkte, die kontrollierte Temperaturen erfordern (z. B. Impfstoffe, wärmeempfindliche Medikamente, Sanitätsartikel etc.) im Kühlschrank auf.
 - Der Hersteller haftet nicht für jegliche Schäden, die durch Missbrauch oder falsche Handhabung entstehen.
 - Die Einsatzzeit des Produktes beträgt 10 Jahre. Während dieser Dauer werden alle für die Funktionstüchtigkeit des Gerätes erforderlichen Ersatzteile vorgehalten.

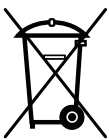
Hinweise zu Sicherheit und Umwelt

1.3. Sicherheit von Kindern

- Bewahren Sie Verpackungsmaterialien außerhalb der Reichweite von Kindern auf.
- Lassen Sie Kinder nicht mit dem Gerät spielen.
- Falls das Gerät mit einer abschließbaren Tür ausgestattet ist, bewahren Sie den Schlüssel außerhalb der Reichweite von Kindern auf.

1.4. Einhaltung von WEEE-Vorgaben und Altgeräteentsorgung

Dieses Gerät erfüllt die Vorgaben der EU-WEEE-Direktive (2012/19/EU). Das Gerät wurde mit einem Klassifizierungssymbol für elektrische und elektronische Altgeräte (WEEE) gekennzeichnet.



Dieses Gerät wurde aus hochwertigen Materialien hergestellt, die wiederverwendet und recycelt werden können. Entsorgen Sie das Gerät am Ende seiner Einsatzzeit nicht mit dem regulären Hausmüll. Bringen Sie das Gerät zu einer Sammelstelle zum

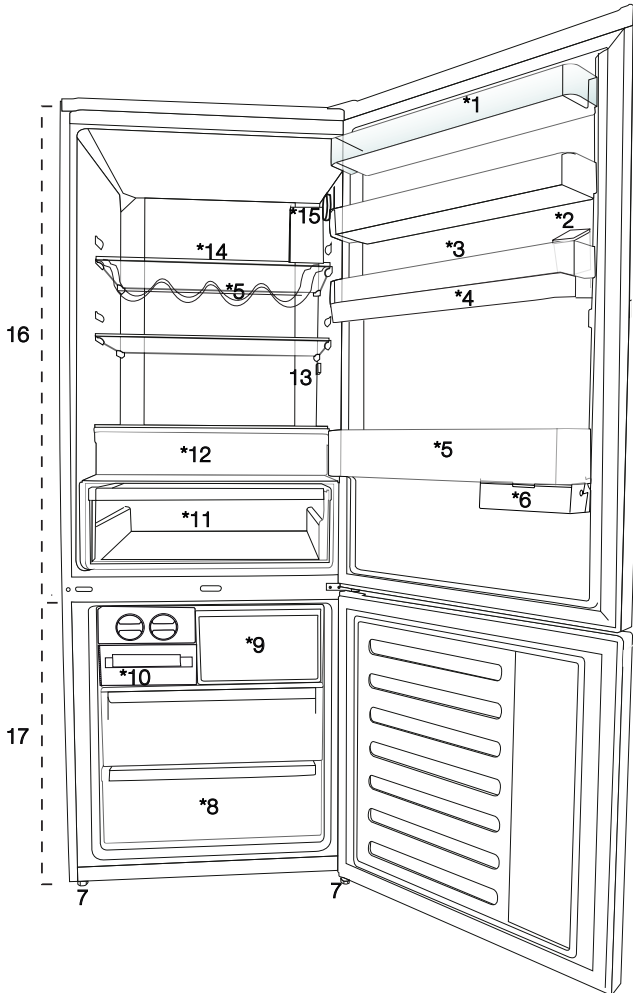
Recycling von elektrischen und elektronischen Geräten. Ihre Stadtverwaltung informiert Sie gerne über geeignete Sammelstellen in Ihrer Nähe.

1.5. Einhaltung von RoHS-Vorgaben

- Dieses Gerät erfüllt die Vorgaben der EU-WEEE-Direktive (2011/65/EU). Es enthält keine in der Direktive angegebenen gefährlichen und unzulässigen Materialien.

1.6. Hinweise zur Verpackung

- Die Verpackungsmaterialien des Gerätes wurden gemäß nationalen Umweltschutzbestimmungen aus recyclingfähigen Materialien hergestellt. Entsorgen Sie Verpackungsmaterialien nicht mit dem regulären Hausmüll oder anderen Abfällen. Bringen Sie Verpackungsmaterialien zu geeigneten Sammelstellen; Ihre Stadtverwaltung berät Sie gern.






- | | |
|-----------------------------------|---------------------------------|
| 1. Kühlbereich-Türablage | 10. Eisbereiter und Eisbehälter |
| 2. Wasserspender-Befüllung | 11. Gemüsefach |
| 3. Eierhalter | 12. 0-Grad-Fach |
| 4. Wasserspender-Tank | 13. Innenbeleuchtung |
| 5. Flaschenablage | 14. Kühlbereichglasablage |
| 6. Verschiebbarer Vorratsbehälter | 15. Temperatureinstelltaste |
| 7. Einstellbare Füße | 16. Kühlbereich |
| 8. Tiefkühlbereich | 17. Tiefkühlbereich |
| 9. Schnellgefrierfach | |



*** Optional:** Die Abbildungen in dieser Anleitung dienen lediglich der Veranschaulichung und müssen nicht absolut exakt mit Ihrem Produkt übereinstimmen. Falls Ihr Produkt nicht über die entsprechenden Teile verfügt, betreffen die Informationen andere Modelle.

3.1. Der richtige Aufstellungsort

Wenden Sie sich zur Aufstellung des Gerätes an den autorisierten Kundendienst. Bereiten Sie das Gerät auf die Aufstellung vor, indem Sie die Informationen in der Bedienungsanleitung beachten und sicherstellen, dass Strom- und Wasseranschlüsse wie erforderlich vorhanden sind. Falls nicht, wenden Sie sich zum Nachrüsten an einen Elektriker oder Klempner.

	WARNUNG: Der Hersteller haftet nicht für jegliche Schäden, die durch Arbeiten entstanden sind, die nicht von autorisierten Personen durchgeführt wurden.
	WARNUNG: Bei der Aufstellung muss das Gerät vollständig vom Stromnetz getrennt sein. Andernfalls drohen ernsthafte oder sogar tödliche Verletzungen!
	WARNUNG: Falls das Gerät nicht durch die Tür passt, entfernen Sie die Gerätetür und drehen Sie das Gerät auf die Seite; falls es dennoch nicht passt, wenden Sie sich an den autorisierten Kundendienst.

- Stellen Sie das Gerät auf einem flachen Untergrund auf, damit es weder wackelt noch kipzelt.
- Stellen Sie das Gerät mindestens 30 cm von Heizungen, Öfen und ähnlichen Wärmequellen auf; halten Sie einen Mindestabstand von 5 cm zu elektrischen Öfen ein.
- Setzen Sie das Gerät keinem direkten Sonnenlicht und keinen feuchten Umgebungen aus.
- Damit das Gerät effizient arbeitet, ist eine angemessene Luftzirkulation erforderlich.
- Falls Sie das Gerät in einer Nische aufstellen, achten Sie darauf, dass mindestens 5 cm zur Decke und zu den Wänden frei bleiben.
- Stellen Sie das Gerät nicht in Umgebungen mit Temperaturen unter -5 °C auf.

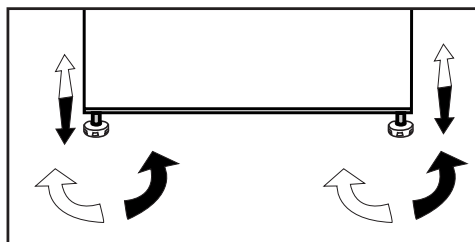
3.2. Kunststoffkeile anbringen

Sorgen Sie zur Gewährleistung einer angemessenen Luftzirkulation mit Hilfe der mitgelieferten Kunststoffkeile für genügend Platz zwischen dem Gerät und der Wand.




1. Zur Befestigung der Keile entfernen Sie die Schrauben am Produkt und verwenden die mit den Keilen gelieferten Schrauben.
2. Befestigen Sie die beiden Kunststoffkeile wie in der Abbildung gezeigt an der Abdeckung der Belüftungsöffnungen.

3.3. FüÙe einstellen

Falls das Produkt nicht exakt in Waage steht, passen Sie die vorderen einstellbaren FüÙe durch Drehen nach rechts oder links an.



3.4. Stromanschluss

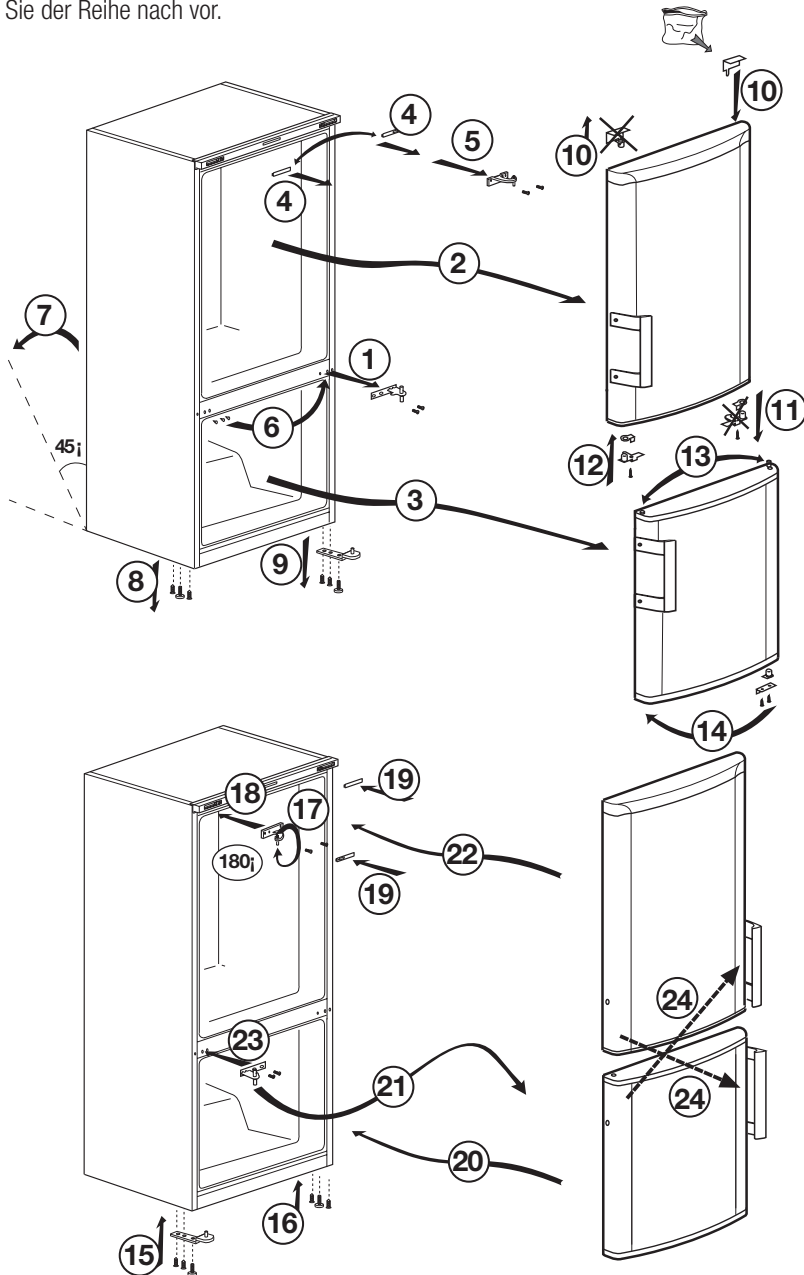
	WARNUNG: Verwenden Sie keine Mehrfachsteckdosen oder Verlängerungskabel.
	WARNUNG: Beschädigte Netzkabel müssen vom autorisierten Kundendienst ausgetauscht werden.
	Wenn Sie zwei Kühlgeräte nebeneinander aufstellen, halten Sie einen Mindestabstand von 4 cm zwischen den Geräten ein.

- Unser Unternehmen haftet nicht für jegliche Schäden, die durch eine Inbetriebnahme ohne Erdung oder einen nicht mit nationalen Richtlinien übereinstimmenden Stromanschluss verursacht werden.
- Der Netzstecker muss nach der Installation frei zugänglich bleiben.
- Schließen Sie den Kühlschrank an eine geerdete Steckdose mit einer Spannung von 220 bis 240 V / 50 Hz an. Der Stecker muss über eine Sicherung von 10 bis 16 A verfügen.
- Verwenden Sie zwischen Steckdose und Kühlschrank keine Mehrfachsteckdose mit oder ohne Verlängerungskabel.

Installation

3.5. Türanschlag umkehren

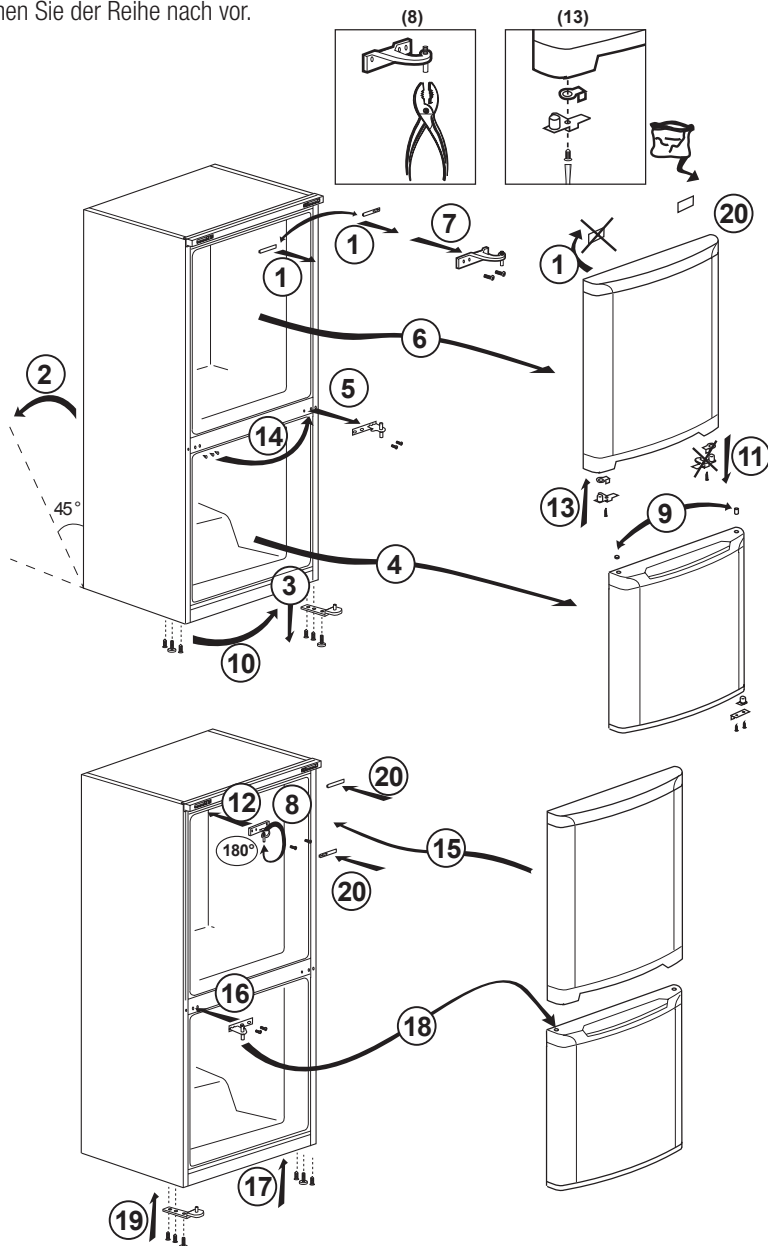
Gehen Sie der Reihe nach vor.



Installation

3.6. Türanschlag umkehren

Gehen Sie der Reihe nach vor.



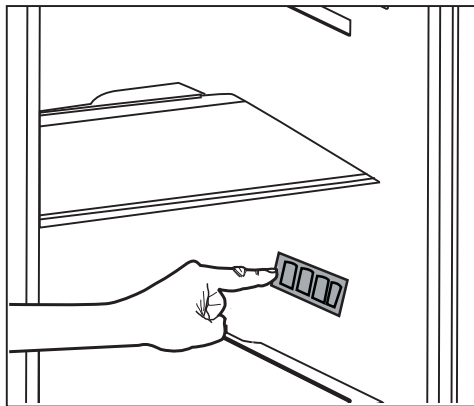
4.1. Maßnahmen zum Energiesparen



Der Anschluss des Gerätes an Energiesparsysteme birgt Risiken, da Schäden am Gerät auftreten können.

- Gerätetüren nicht längere Zeit offen stehen lassen.
- Keine warmen oder gar heißen Lebensmittel oder Getränke in den Kühlschrank geben.
- Kühlschrank nicht überladen; wird der interne Luftstrom blockiert, verringert sich die Kühlkapazität.
- Damit Sie die maximale Menge Lebensmittel im Kühlbereich Ihres Kühlschranks einlagern können, sollten Sie die oberen Schubladen herausnehmen und auf die Glasablage stellen. Der angegebene Energieverbrauch Ihres Kühlschranks wurde ohne Kühlbereich, Eisablage und obere Schubladen zur Erzielung maximalen Stauraums ermittelt. Beim Einlagern wird die Verwendung der unteren Schublade dringend empfohlen. Für optimalen Energieverbrauch sollte die Energiesparfunktion aktiviert werden.
- Platzieren Sie Lebensmittel nicht vor dem Lüfter, damit die Luftzirkulation nicht blockiert wird. Halten Sie beim Verstauen von Lebensmitteln einen Mindestabstand von 3 cm vor dem Schutzgitter des Lüfters ein.
- Je nach Produktmerkmalen können Sie durch Auftauen gefrorener Lebensmittel im Kühlbereich Energie sparen und die Qualität der Lebensmittel bewahren.
- Lebensmittel sollten zur Gewährleistung eines geringen Energieverbrauchs und zum Schutz der Lebensmittel unter besseren Bedingungen in den Schubladen im Kühlbereich verstaut werden.
- Verpackte Lebensmittel sollten den Wärmesensor im Kühlfach nicht berühren. Andernfalls kann sich der Energieverbrauch des Gerätes erhöhen.

- Achten Sie darauf, dass Lebensmittel nicht den nachstehend beschriebenen Temperatursensor im Kühlbereich berühren.



4.2. Erste Inbetriebnahme

Stellen Sie vor Inbetriebnahme Ihres Kühlschranks sicher, dass die erforderlichen Vorbereitungen entsprechend den Anweisungen in den Abschnitten „Hinweise zu Sicherheit und Umwelt“ und „Installation“ getroffen wurden.

- Lassen Sie den Kühlschrank etwa 6 Stunden lang leer arbeiten; verzichten Sie in dieser Zeit möglichst vollständig auf das Öffnen der Türen.



Beim Anspringen des Kompressors sind Geräusche zu hören. Es ist normal, dass das Gerät auch bei inaktivem Kompressor Geräusche macht; diese werden durch komprimierte Flüssigkeiten und Gase im Kühlsystem verursacht.



Die Vorderkanten des Kühlschranks können sich etwas erwärmen. Dies ist völlig normal. Diese Bereiche wärmen sich etwas auf, damit sich kein Kondenswasser bildet.



Bei einigen Modellen verdunkelt sich das Anzeigefeld automatisch 5 Minuten nach Schließen der Tür. Beim Öffnen der Tür oder bei Betätigung einer Taste wird es wieder aktiviert.

5 Produkt verwenden

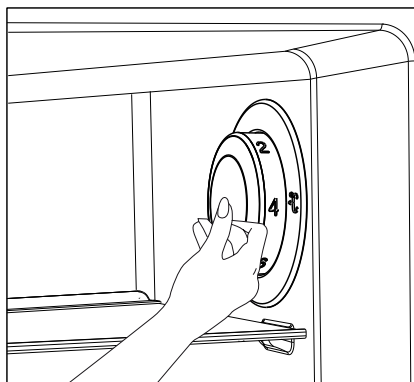
5.1. Temperatureinstelltaste

Die Innentemperatur Ihres Kühlschranks hängt teilweise von folgenden Einflüssen ab:

- Umgebungstemperatur
- Häufiges Öffnen der Tür, Offenstehen der Tür über längere Zeit
- Einlagern von Lebensmitteln, ohne diese zuvor auf Raumtemperatur abkühlen zu lassen.
- Platzierung des Kühlschranks innerhalb des Raumes (z. B. im direkten Sonnenlicht).
- Da die Innentemperatur aufgrund solcher Faktoren variieren kann, können Sie sie über den Temperatureinstellknopf anpassen.

Die Ziffern rund um den Einstellknopf zeigen die Temperatur in „°C“.

Falls die Umgebungstemperatur 20 °C beträgt, sollten Sie die Kühlschranktemperatur auf 4 °C anpassen. Bei anderen Umgebungstemperaturen kann dieser Wert angepasst werden.

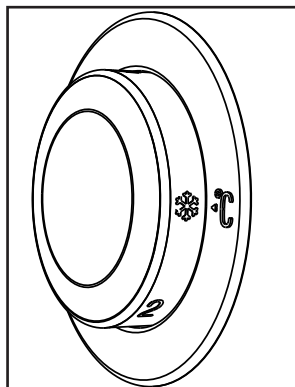


5.2. Schnellgefrieren

Wenn Sie große Mengen frischer Lebensmittel einfrieren möchten, stellen Sie den Temperatureinstellknopf auf die Position (❄️) ein, bevor Sie die Lebensmittel in den Tiefkühlbereich geben.


Wir empfehlen, den Knopf mindestens 24 Stunden lang in dieser Position zu belassen – so können Sie die maximale Menge an Gefriergut verarbeiten. Achten Sie vor allem darauf, gefrorene und frische Lebensmittel nicht zu vermischen.

Denken Sie daran, den Temperatureinstellknopf anschließend auf seine vorherige Position einzustellen.



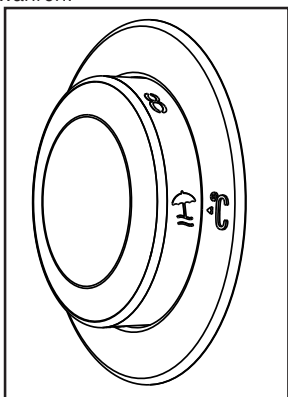
Produkt verwenden

5.3. Urlaubsfunktion

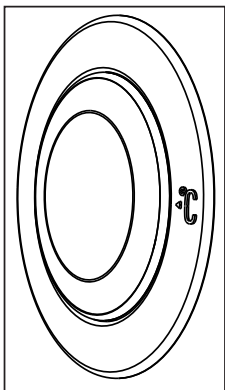
Falls die Gerätetüren () mindestens 12 Stunden lang nach Anpassung des Temperatureinstellknopfs auf die höchste Position nicht geöffnet werden, wird automatisch die Urlaubsfunktion aktiviert.

Zum Abbrechen der Funktion muss der Knopf auf eine andere Position eingestellt werden.

Wir raten davon ab, Lebensmittel bei aktiver Urlaubsfunktion im Kühlbereich aufzubewahren.



- Nach Abschluss der Einstellung können Sie den Temperatureinstellknopf durch Hineindrücken verbergen.

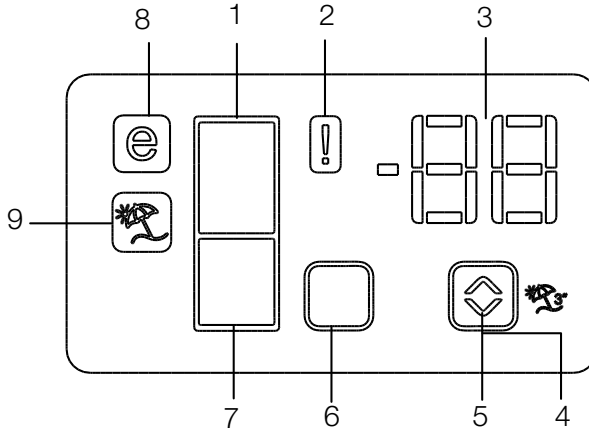


Produkt verwenden

5.4. Anzeigefeld

Die Anzeigefelder können je nach Modell etwas anders ausfallen.

Audiovisuelle Funktionen am Anzeigefeld helfen Ihnen bei der Bedienung Ihres Gerätes.



1. Kühlbereichsanzeige
2. Fehlerstatusanzeige
3. Temperaturanzeige
4. Urlaubstaste
5. Temperatureinstelltaste
6. Kühlbereichsauswahl
7. Tiefkühlbereichsanzeige
8. Energiesparmodusanzeige
9. Urlaubsfunktionanzeige

* **optional**



* **Optional:** Die Abbildungen in dieser Anleitung sind skizzenhaft und stimmen möglicherweise nicht exakt mit Ihrem Produkt überein. Falls Ihr Produkt nicht über die entsprechenden Teile verfügt, betreffen die Informationen andere Modelle.

Produkt verwenden

1. Kühlbereichsanzeige

Die Kühlbereichsanzeige leuchtet beim Einstellen der Kühlbereichtemperatur auf.

2. Fehlerstatusanzeige

Falls der Kühlschrank nicht genügend kühlt oder ein Sensor ausfällt, wird diese Anzeige aktiv. Wenn diese Anzeige aktiv ist, zeigt die Tiefkühlbereichtemperaturanzeige „E“, die Kühlbereichtemperaturanzeige Zahlen an; z. B. 1, 2, 3, ... Diese Zahlen der Anzeige helfen Kundendienstmitarbeitern, einen Fehler einzugrenzen.

3. Temperaturanzeige

Zeigt Tiefkühl- und Kühlbereichtemperatur.

4. Urlaubstaste

Zum Aktivieren dieser Funktion halten Sie die Urlaubstaste 3 Sekunden lang gedrückt. Wenn die Urlaubsfunktion aktiv ist, erscheint „-“ in der Kühlbereichtemperaturanzeige; der Kühlbereich wird nun nicht mehr aktiv gekühlt. Wenn diese Funktion aktiv ist, sollten keine Lebensmittel im Kühlbereich aufbewahrt werden. Andere Bereiche werden entsprechend der eingestellten Temperatur weiterhin gekühlt. Zum Aufheben dieser Funktion drücken Sie die **Urlaubstaste** noch einmal.

5. Temperatureinstelltaste

Ändert die Temperatur des jeweiligen Bereiches zwischen -24 °C und -18 °C sowie 8 °C und 1 °C.

6. Kühlbereichsauswahlstaste

Auswahlstaste: Mit der Kühlbereichsauswahlstaste schalten Sie zwischen Kühlbereich und Tiefkühlbereich um.

7. Tiefkühlbereichsanzeige

Die Kühlbereichsanzeige leuchtet beim Einstellen der Tiefkühlbereichtemperatur auf.

8. Energiesparmodusanzeige

Zeigt an, dass das Kühlgerät besonders energiesparend arbeitet. Diese Anzeige wird aktiv, wenn die Tiefkühlbereichtemperatur auf -18 °C eingestellt ist.

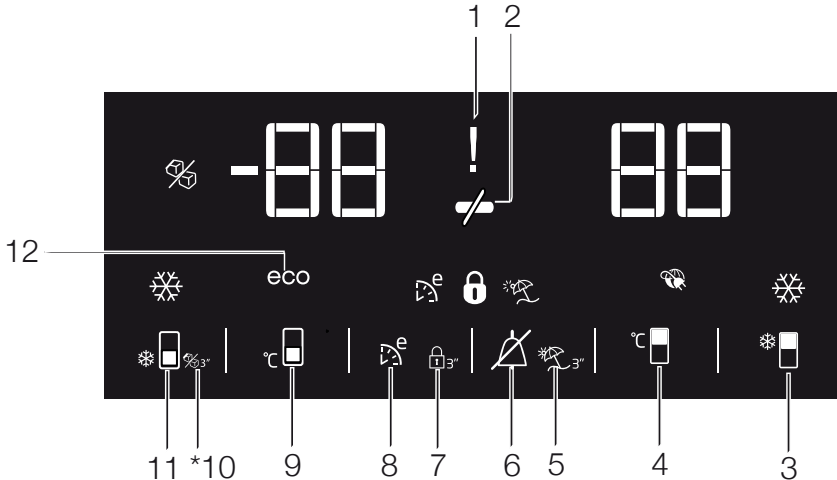
9. Urlaubsfunktionanzeige

Zeigt an, dass die Urlaubsfunktion aktiv ist.

Produkt verwenden

5.5. Anzeigefeld

Das Anzeigefeld ermöglicht Ihnen die Einstellung der Temperatur und die Steuerung anderer Funktionen, ohne dass Sie die Tür des Produktes öffnen müssen. Drücken Sie einfach die Beschriftungen der entsprechenden Tasten zur Funktionseinstellung.



1. Stromausfall-/Hochtemperatur-/Fehler-Warnanzeige

Diese Anzeige (⚡) signalisiert einen Stromausfall, zu hohe Innentemperaturen und sonstige Fehler. Bei längeren Stromausfällen blinkt die höchste Temperatur, die der Tiefkühlbereich erreicht, im digitalen Display. Drücken Sie nach Prüfung der im Tiefkühlbereich (🍷) gelagerten Lebensmittel zum Löschen der Warnung die Alarm-aus-Taste. Bitte beachten Sie den Abschnitt „Empfohlene Problemlösungen“ in Ihrer Anleitung, falls Sie bemerken, dass diese Anzeige eingeschaltet ist.

2. Energiesparfunktion (Display aus):

Wenn die Gerätetüren lange Zeit geschlossen bleiben, wird die Energiesparfunktion automatisch aktiviert und das Energiesparsymbol leuchtet auf. (🌙) Bei aktiver Energiesparfunktion erlöschen sämtliche Display-Symbole mit Ausnahme des Energiesparsymbols. Die Energiesparfunktion wird aufgehoben, sobald Tasten betätigt werden oder die Tür geöffnet wird. Das Display zeigt wieder die normalen Symbole. Die Energiesparfunktion wird während der Lieferung ab Werk aktiviert und kann nicht aufgehoben werden.



* **Optional:** Die Abbildungen in dieser Anleitung sind skizzenhaft und stimmen möglicherweise nicht exakt mit Ihrem Produkt überein. Falls Ihr Produkt nicht über die entsprechenden Teile verfügt, betreffen die Informationen andere Modelle.

Produkt verwenden

3. Schnellkühlen

Diese Taste erfüllt zwei Funktionen. Zum Ein- und Ausschalten der Schnellkühlfunktion drücken Sie die Taste einmal kurz. Die Schnellkühlenanzeige erlischt, der Kühlschrank arbeitet wieder mit normalen Einstellungen.



Die Schnellkühlfunktion nutzen Sie, wenn Sie Lebensmittel im Kühlbereich besonders schnell abkühlen möchten. Wenn Sie große Mengen frischer Lebensmittel kühlen möchten, sollten Sie diese Funktion vor dem Einlagern der Lebensmittel einschalten.



Sofern Sie diese Funktion nicht vorzeitig abschalten, wird das Schnellkühlen beendet, sobald die nötige Temperatur erreicht ist, spätestens jedoch nach 8 Stunden.



Sollten Sie die Schnellkühltaste mehrmals innerhalb kurzer Zeit drücken, greift eine elektronische Schutzschaltung ein und sorgt dafür, dass der Kompressor nicht sofort anläuft.



Diese Funktion wird nach einem Stromausfall nicht automatisch wieder eingeschaltet.

4. Kühlbereichtemperatur-Einstelltaste

Durch mehrmaliges Drücken dieser Taste stellen Sie die Kühlbereichtemperatur auf 8 °, 7 °, 6 °, 5 °, 4 °, 3 °, 2 °, 8 °C ... ein. Mit dieser Taste stellen Sie die gewünschte Kühlbereichtemperatur ein.

5. Urlaubsfunktion

Drücken Sie zum Aktivieren der Urlaubsfunktion 3 Sekunden diese Taste ; dadurch wird die Urlaubsmodusanzeige aktiviert.

Wenn die Urlaubsfunktion aktiv ist, erscheint „-“ in der Kühlbereichtemperaturanzeige; der Kühlbereich wird nun nicht mehr aktiv

gekühlt. Wenn diese Funktion aktiv ist, sollten keine Lebensmittel im Kühlbereich aufbewahrt werden. Andere Bereiche werden entsprechend der eingestellten Temperatur weiterhin gekühlt. Zum Aufheben dieser Funktion drücken Sie die **Urlaubsfunktionstaste** noch einmal.

6. Alarm-aus-Warnung:

Drücken Sie bei einem Alarm wegen Stromausfalls/hoher Temperatur nach Prüfung der im Tiefkühlbereich gelagerten Lebensmittel zum Löschen der Warnung die Alarm-aus-Taste

7. Tastensperre

Halten Sie die Tastensperre-Taste 3 Sekunden lang gedrückt. Das Tastensperre-Symbol

leuchtet auf, die Tastensperre ist aktiv.

Bei aktiver Tastensperre reagiert das Gerät nicht auf Tastenbetätigungen. Halten Sie die Tastensperre-Taste noch einmal 3 Sekunden lang gedrückt. Das Tastensperre-Symbol erlischt, die Tastensperre wird abgeschaltet.

Verwenden Sie die **Tastensperre**-Taste, wenn Sie Änderungen der Temperatureinstellung des Kühlschranks verhindern möchten


8. Öko-Fuzzy

Drücken und halten Sie die Öko-Fuzzy-Taste zum Aktivieren der Öko-Fuzzy-Funktion 1 Sekunde. Spätestens sechs Stunden später arbeitet Ihr Kühlgerät besonders ökonomisch; die Energiesparanzeige leuchtet Drücken und halten Sie die Öko-Fuzzy-Taste zum Deaktivieren der Öko-Fuzzy-Funktion 3 Sekunden.


Diese Anzeige leuchtet nach 6 Stunden auf, wenn Öko-Fuzzy aktiv ist.

Produkt verwenden

9. Tiefkühlbereichtemperatur-Einstelltaste

Durch mehrmaliges Drücken dieser Taste stellen Sie die Tiefkühlbereichtemperatur auf -18 ° , -19 ° , -20 ° , -21 ° , -22 ° , -23 ° , -24 ° , $-18\text{ }^{\circ}\text{C}$, ... ein. Mit dieser Taste stellen Sie die gewünschte Temperatur des Tiefkühlbereiches ein. 


10. Eisbereiter-aus-Anzeige

Zeigt an, ob der Eisbereiter ein- oder ausgeschaltet ist.  Bei der Einstellung Ein ist der Eisbereiter abgeschaltet. Zum Einschalten des Eisbereiters halten Sie die Ein-/Austaste 3 Sekunden lang gedrückt.



Bei der Auswahl dieser Funktion wird kein Wasser mehr aus dem Tank zugeführt. Bereits vorbereitetes Eis kann aber nach wie vor aus dem Eisbereiter entnommen werden.

11. Schnellgefrierfaste/Eisbereiter-ein/aus-Taste

Mit dieser Taste schalten Sie die Schnellgefrierfunktion ein und aus. Wenn diese Funktionen aktiv ist, wird der Tiefkühlbereich besonders stark (über die eingestellte Temperatur hinaus) gekühlt. 

Zum Ein- und Ausschalten des Eisbereiters halten Sie die Taste 3 Sekunden lang gedrückt.



Die Schnellgefrierfunktion nutzen Sie, wenn Sie die Lebensmittel im Tiefkühlbereich besonders schnell abkühlen möchten. Wenn Sie große Mengen frischer Lebensmittel kühlen möchten, sollten Sie diese Funktion vor dem Einlagern der Lebensmittel einschalten.




Sofern Sie diese Funktion nicht vorzeitig abschalten, wird das Schnellgefrieren beendet, sobald die nötige Temperatur erreicht ist, spätestens jedoch nach 4 Stunden.



Diese Funktion wird nach einem Stromausfall nicht automatisch wieder eingeschaltet.

12. Energiesparanzeige

Zeigt an, dass das Gerät besonders energiesparend arbeitet.  Diese Anzeige leuchtet auf, wenn die Temperatur des Tiefkühlbereiches auf $-18\text{ }^{\circ}\text{C}$ eingestellt ist oder das Gerät mit der Öko-Extra-Funktion besonders ökonomisch arbeitet.



Die Energiesparanzeige erlischt, wenn Sie Schnellkühlen oder Schnellgefrieren zuschalten.

Produkt verwenden

5.6. Eisbehälter

(optional)

- Nehmen Sie den Eisbehälter aus dem Tiefkühlbereich.
- Füllen Sie den Eisbehälter mit Trinkwasser.
- Geben Sie den Eisbehälter in den Tiefkühlbereich.
- Das Eis ist nach etwa zwei Stunden fertig. Nehmen Sie den Eisbehälter aus dem Tiefkühlbereich und biegen Sie ihn leicht über dem Gefäß, das Sie servieren möchten. Das Eis gelangt in den Behälter.

5.7. Eierhalter

Sie können den Eierhalter in der Tür oder auf der Ablage Ihrer Wahl platzieren. Falls Sie sich für die Ablagen entscheiden, sollten Sie tiefer gelegene Ablagen wählen, da es dort kühler ist.

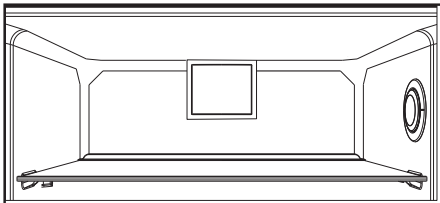


Geben Sie den Eierhalter nicht in den Tiefkühlbereich.

5.8. Lüfter

Der Lüfter wurde dazu entwickelt, die kalte Luft im Inneren Ihres Kühlschranks gleichmäßig zu verteilen. Je nach Modell und Bedarf arbeitet der Lüfter auf unterschiedliche Weise.

Während der Lüfter in einigen Produkten nur mit einem Kompressor arbeitet, ermittelt in anderen Modellen ein Kontrollsystem die Betriebszeit basierend auf den Kühlanforderungen.



5.9. Gemüsefach

(optional)

Das Gemüsefach des Produktes ist darauf ausgelegt, Gemüse durch Bewahren der Feuchtigkeit frisch zu halten. Aus diesem Grund wird die Gesamtzirkulation kalter Luft im Gemüsefach intensiviert.

5.10.0-Grad-Fach

(optional)

Bewahren Sie in diesem Bereich Feinkost bei geringeren Temperaturen oder schnell verderbliche Fleischprodukte auf.

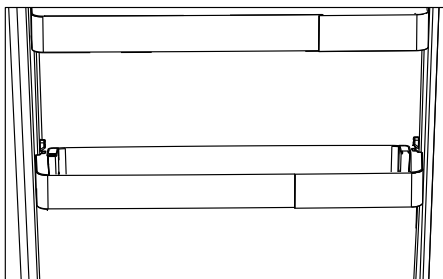
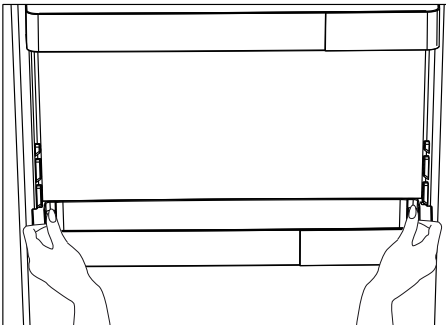
Das 0-Grad-Fach ist der kälteste Bereich, in dem Sie Lebensmittel, wie Milchprodukte, Fleisch, Fisch und Geflügel, bei idealen Lagerungsbedingungen aufbewahren können. Gemüse und/oder Obst gehören nicht in dieses Fach.

5.11. Bewegliche Türablage (optional)

Die bewegliche Türablage kann in 3 verschiedenen Positionen fixiert werden. Zum Bewegen der Ablage drücken Sie die Tasten an der Seite gleichmäßig. Die Ablage wird beweglich.

Bewegen Sie die Ablage nach oben oder unten.

Wenn sich die Ablage in der gewünschten Position befindet, lassen Sie die Tasten los. Die Ablage wird wieder in der Position fixiert, in der Sie die Tasten losgelassen haben.

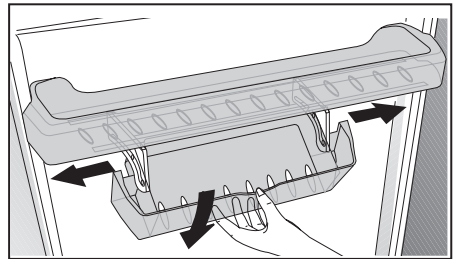


5.12. Verschiebbarer Vorratsbehälter

(optional)

Dieses Zubehör ist so konstruiert, dass das Volumen der Türablagen vergrößert wird.

Dank seiner Fähigkeit zur Seitwärtsbewegung können Sie mühelos lange Flaschen, Gläser oder Kartons im Flaschenhalter darunter verstauen.



Produkt verwenden

5.13. Feuchtigkeitskontrolliertes Gemüsefach

(optional)

Dank der Feuchtigkeitsregelung bleibt der Feuchtigkeitsgehalt von Gemüse und Obst unter Kontrolle, die Lebensmittel bleiben länger frisch.

Es wird empfohlen, Blattgemüse, wie Salat, Spinat und dergleichen, das zu Feuchtigkeitsverlust neigt, nicht auf den Wurzeln, sondern nach Möglichkeit in horizontaler Position im Gemüsefach aufzubewahren.

Beim Einlagern von Gemüse platzieren Sie schweres, hartes Gemüse im unteren Bereich und leichtes, weiches Gemüse darüber; achten Sie auf das jeweilige Gewicht der Lebensmittel.

Lassen Sie Gemüse nicht in Plastikbeuteln im Gemüsefach. Bleibt das Gemüse in Plastikbeuteln, kann es in kurzer Zeit verderben. Falls Kontakt mit anderem Gemüse vermieden werden soll, sollten Sie Verpackungsmaterialien wie Papier verwenden, die eine bestimmte Durchlässigkeit in Sachen Hygiene aufweisen.

Geben Sie Obst mit einer hohen Ethylenfreisetzung, wie Birnen, Aprikosen, Pfirsiche und bestimmte Apfelsorten, nicht mit anderem Obst und Gemüse in das Gemüsefach. Das von solchen Früchten freigesetzte Ethylen kann dazu führen, dass anderes Obst und Gemüse in kurzer Zeit reift und verdirbt.

5.14. Automatischer Eisbereiter (optional)

Der automatische Eisbereiter ermöglicht Ihnen die einfache Bereitung von Eis in Ihrem Kühlschrank. Damit Sie Eis vom Eisbereiter erhalten, nehmen Sie den Wassertank aus dem Kühlbereich, füllen ihn mit Wasser und setzen ihn wieder ein.

Nach etwa zwei Stunden liegen die ersten Eiswürfel in der Eisbereiter-Schublade im Kühlbereich für Sie bereit.

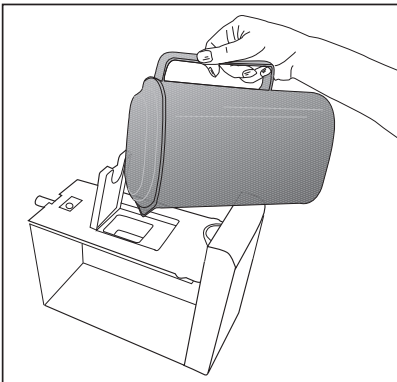
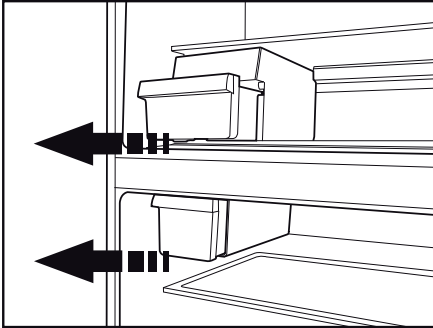
Nach Einsetzen des vollen Wassertanks erhalten Sie 60 bis 70 Eiswürfel, bis er vollständig leer ist.

Wenn das Wasser 2 bis 3 Wochen im Tank war, sollte es ausgewechselt werden.

Produkt verwenden



In Produkten mit automatischem Eisbereiter hören Sie möglicherweise einen Ton beim Ausgießen von Eis. Dieser Ton ist völlig normal und keine Zeichen für einen Fehler.



5.15. Eisbereiter und Eisbehälter (optional)

Eisbereiter verwenden

Füllen Sie den Eisbereiter mit Wasser, setzen Sie ihn in seine Halterung. Ihr Eis ist nach etwa zwei Stunden fertig. Zum Entnehmen des Eises nehmen Sie den Eisbereiter nicht heraus. Drehen Sie die Knöpfe daran um 90 ° im Uhrzeigersinn.

Die Eiswürfel fallen in den darunter liegenden Eiswürfelbehälter.

Sie können den Eisbehälter zum Servieren der Eiswürfel herausnehmen.

Wenn Sie möchten, können Sie das Eis auch im Eisbehälter aufbewahren.

Eisbehälter

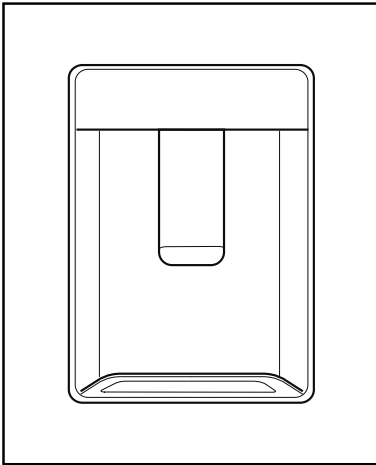
Der Eisbehälter dient ausschließlich zum Sammeln der Eiswürfel. Füllen Sie kein Wasser ein. Der Behälter wird sonst platzen.

Produkt verwenden

5.16. Wasserspender

(bei bestimmten Modellen)

Der Wasserspender ist eine praktische Einrichtung, mit der Sie kühles Wasser zapfen können, ohne dabei die Tür Ihres Kühlschranks öffnen zu müssen. Da Sie die Tür des Gerätes nicht häufig öffnen müssen, sparen Sie eine Menge Energie.



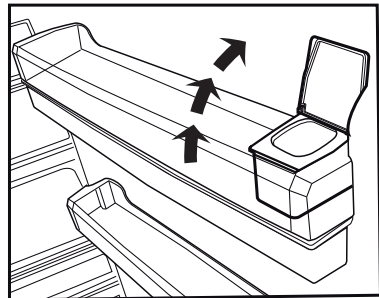
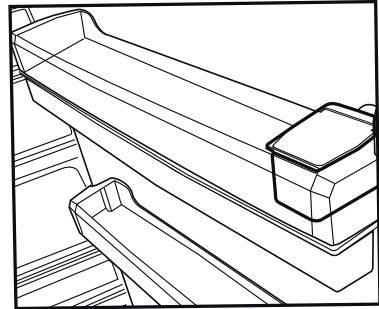
5.17. So benutzen Sie den Wasserspender

Drücken Sie mit dem Glas gegen den Hebel des Wasserspenders. Die Wasserausgabe stoppt, sobald der Hebel losgelassen wird. Den schnellsten Durchfluss erreichen Sie, wenn Sie den Hebel komplett eindrücken. Denken Sie daran, dass die Stärke des Wasserdurchflusses davon abhängt, wie weit der Hebel eingedrückt wird.

Geben Sie den Hebel langsam wieder frei, sobald das Glas fast vollständig gefüllt ist, damit nichts überläuft. Das Wasser tritt nur tropfenweise aus, wenn Sie den Hebel nur leicht betätigen; dies ist völlig normal.

Wasserbehälter füllen

Der Wassertank befindet sich an der Innenseite der Türablage. Öffnen Sie die Abdeckung des Behälters, füllen Sie Trinkwasser ein. Schließen Sie anschließend den Deckel.



Warnung!

- Füllen Sie den Wassertank nur mit sauberem Trinkwasser, nicht mit anderen Flüssigkeiten gleich welcher Art. Falls andere Flüssigkeiten eingefüllt werden, kann der Wasserspender irreparabel beschädigt werden. Solche Beschädigungen werden nicht durch die Garantie abgedeckt. Viele Flüssigkeiten und Getränke enthalten Zusätze, die das Material des Wassertanks angreifen können.
- Nutzen Sie ausschließlich klares Trinkwasser.
- Die Kapazität des Wassertanks beträgt 3 Liter; füllen Sie nicht mehr hinein.

Produkt verwenden

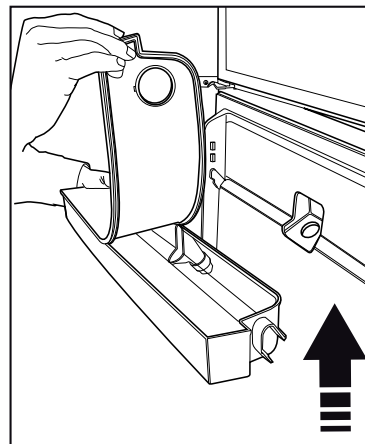
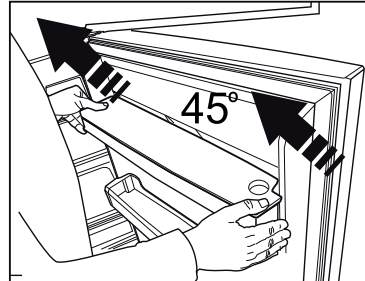
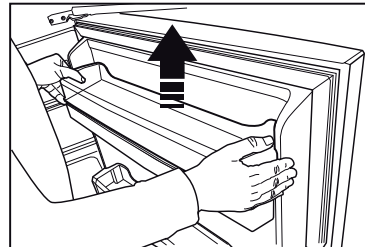
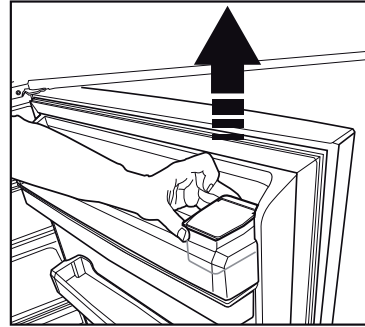
- Drücken Sie mit einem haltbaren Glas gegen den Hebel des Wasserspenders. Falls Sie Einwegbecher verwenden, betätigen Sie den Hebel mit dem Finger.

5.18. Wassertank reinigen

- Entfernen Sie den Füllbehälter auf der Innenseite der Türablage.
- Entfernen Sie die Türablage, indem Sie diese an beiden Seiten greifen.
- Greifen Sie den Wassertank an beiden Seiten und entfernen ihn in einem Winkel von 45 °C.
- Öffnen Sie die Abdeckung und reinigen den Wassertank.

Wichtig:

Die Komponenten des Wasserspenders und des Wassertanks sollten nicht in der Spülmaschine gereinigt werden.



Produkt verwenden

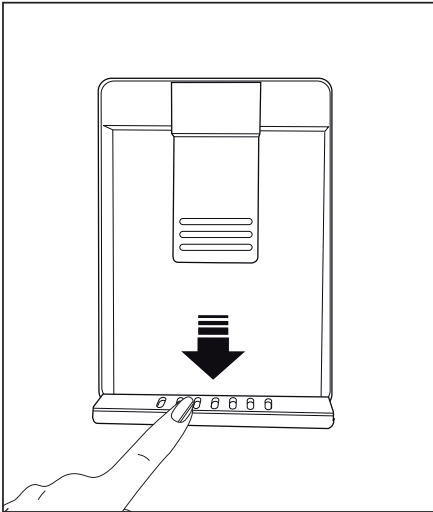
5.19. Tropfschale

Wasser, das bei der Nutzung des Wasserspenders heruntertropft, sammelt sich in der Tropfschale.

Nehmen Sie das Kunststoffsieb wie in der Abbildung gezeigt heraus.

Entfernen Sie angesammeltes Wasser mit einem sauberen, trockenen Tuch.

Achtung: Nur an Trinkwasserleitungen anschließen.



Produkt verwenden

5.20. Frische Lebensmittel tiefkühlen

- Zur Gewährleistung der Lebensmittelqualität müssen im Tiefkühlbereich gelagerte Lebensmittel so schnell wie möglich eingefroren werden; nutzen Sie dazu die Schnellgefrierfunktion.
- Das Einfrieren frischer Lebensmittel verlängert die Aufbewahrungsdauer im Tiefkühlbereich.
- Verpacken Sie Lebensmittel in sicher verschlossenen luftdichten Behältern.
- Stellen Sie sicher, dass die Lebensmittel verpackt sind, bevor Sie sie in den Tiefkühlbereich geben. Verwenden Sie statt herkömmlichen Packpapiers tiefkühlgeeignete Behälter, Alufolie und feuchtigkeitsbeständiges Papier, Plastikbeutel oder ähnliche Verpackungsmaterialien.



Eis im Tiefkühlbereich taut automatisch.

- Beschriften Sie die Behälter vor dem Einfrieren mit dem Datum. Dadurch können Sie beim Öffnen des Tiefkühlbereichs stets die Frische der verpackten Lebensmittel prüfen. Bewahren Sie ältere Lebensmittel weiter vorne auf, damit sie zuerst verbraucht werden.
- Gefrorene Lebensmittel müssen unmittelbar nach dem Auftauen verbraucht und dürfen nicht wieder eingefroren werden.
- Frieren Sie nicht zu große Mengen auf einmal ein.

5.21. Empfehlungen zur Lagerung gefrorener Lebensmittel

Der Bereich muss auf mindestens -18 °C eingestellt sein.

1. Geben Sie Lebensmittel so schnell wie möglich in den Tiefkühlbereich, damit sie nicht auftauen.
2. Prüfen Sie vor dem Einfrieren, ob das Verfallsdatum auf der Verpackung bereits abgelaufen ist.
3. Stellen Sie sicher, dass die Lebensmittelverpackung nicht beschädigt ist.

Tiefkühlbereich temperatureinstellung	Kühlbereich temperatureinstellung	Details
-18 °C	4 °C	Dies ist die allgemein empfohlene Einstellung.
- 20 °C, -22 °C oder -24 °C	4 °C	Diese Einstellungen empfehlen wir bei Umgebungstemperaturen über 30 °C.
Schnellgefrieren	4 °C	Diese Funktion nutzen Sie zum Einfrieren von Lebensmitteln in kurzer Zeit. Wenn der Vorgang endet, nimmt das Produkt wieder seine Position ein.
-18 °C und kälter	2 °C	Nutzen Sie diese Einstellungen, falls Sie meinen, dass der Kühlbereich aufgrund der Umgebungstemperatur oder zu häufigen Öffnens und Schließens der Tür nicht kalt genug wird.

Produkt verwenden

5.22. Hinweise zum Tiefkühlbereich

Gemäß den Standards IEC 62552 muss der Tiefkühlbereich über die Kapazität verfügen, 4,5 kg Lebensmittel bei -18 °C oder geringeren Temperaturen je 100 Liter Volumen des Tiefkühlbereichs in 24 Stunden einzufrieren.

Lebensmittel können nur bei Temperaturen von -18 °C und darunter längere Zeit aufbewahrt werden.

Sie können Lebensmittel monatelang frisch halten (im Tiefkühlbereich bei oder unter 18 °C).

Lebensmittel, die eingefroren werden sollen, dürfen keine bereits eingefrorenen Lebensmittel berühren, da diese andernfalls antauen könnten.

Gekochtes Gemüse und gefiltertes Wasser können länger im Tiefkühlbereich aufbewahrt werden. Geben Sie die Lebensmittel nach dem Filtern in luftdichten Verpackungen in den Tiefkühlbereich. Bananen, Tomaten, Salat, Sellerie, gekochte Eier, Kartoffeln und ähnliche Lebensmittel sollten nicht eingefroren werden. Falls diese Lebensmittel verderben, werden nur Nährwert und Geschmack negativ beeinträchtigt. Es besteht keine Gefahr für die menschliche Gesundheit.

5.23. Lebensmittel einlagern

Tiefkühlbereich- Ablagen	Unterschiedliche gefrorene Lebensmittel wie Fleisch, Fisch, Speiseeis, Gemüse etc.
Kühlbereich- Ablagen	Lebensmittel in Töpfen, auf abgedeckten Tellern und in bedeckten Behältern, Eier (in abgedecktem Behälter)
Kühlbereich- Türablagen	Kleine und verpackte Lebensmittel oder Getränke
Gemüsefach	Obst und Gemüse

Frischlebensmittelbereich	Feinkost (Frühstücksprodukte, schnell verderbliche Fleischprodukte)
---------------------------	---

5.24. Tür-offen-Alarm

(optional)

Wenn die Gerätetür mindestens 1 Minute offen bleibt, wird ein akustischer Alarm ausgegeben. Dieser akustische Alarm verstummt, sobald Sie die Tür schließen oder eine beliebige Taste am Display (sofern vorhanden) drücken.

Der Tür-offen-Alarm wird sowohl akustisch als auch visuell ausgegeben. Die Innenbeleuchtung schaltet sich aus, wenn die Warnung 10 Minuten lang anhält.

5.25. Wechseln des Türanschlags

Sie können den Türanschlag Ihres Kühlschranks je nach Aufstellungsort wechseln. Wenden Sie sich in diesem Fall an den autorisierten Kundendienst in Ihrer Nähe.

Die obige Erklärung ist allgemeiner Natur. Sie sollten das Warnschild in der Produktverpackung auf Möglichkeit zum Wechseln des Türanschlags prüfen.

5.26. Innenbeleuchtung

Die Innenbeleuchtung nutzt eine LED-Lampe. Wenden Sie sich bei jeglichen Problemen mit dieser Lampe an den autorisierten Kundendienst.

Die in diesem Gerät verwendete(n) Lampe(n) können nicht zur Raumbelichtung verwendet werden. Der vorgesehene Zweck dieser Lampe dient dem sicheren und komfortablen Einlagern von Lebensmitteln im Kühl- / Tiefkühlbereich.

Die Produkteinsatzzeit verlängert sich bei regelmäßiger Reinigung.



WARNUNG: Ziehen Sie vor der Reinigung des Kühlschranks den Netzstecker.

- Verzichten Sie bei der Reinigung auf scharfkantige und scheuernde Utensilien, Seife, Haushaltsreinigungsmittel, Reiniger, Gas, Benzin, Lack und ähnliche Substanzen.
- Lösen Sie einen Teelöffel Natron in Wasser auf. Feuchten Sie ein Tuch mit dem Wasser an und wringen Sie es aus. Wischen Sie das Gerät mit diesem Tuch ab, trocknen Sie es anschließend gründlich.
- Achten Sie darauf, Wasser von der Lampenabdeckung und anderen elektrischen Teilen fernzuhalten.
- Reinigen Sie die Tür mit einem feuchten Tuch. Leeren Sie das Gerät zum Entfernen der Tür- und Geräteablagen. Entfernen Sie die Türablagen, indem Sie diese nach oben herausnehmen. Reinigen und trocknen Sie die Ablagen, schieben Sie sie dann wieder von oben an ihre jeweiligen Positionen.
- Wenden Sie auf der Außenfläche und den verchromten Teilen des Produktes kein chlorhaltiges Wasser und keine Reinigungsprodukte an. Chlor lässt Metalloberflächen rosten.

6.1. Unangenehme Gerüche verhindern

Das Produkt wurde ohne jegliche riechenden Materialien hergestellt. Bei Aufbewahrung von Lebensmitteln in ungeeigneten Bereichen und unsachgemäßer Reinigung der Innenflächen können jedoch unangenehme Gerüche auftreten. Reinigen Sie den Kühlschrank daher alle 15 Tage mit etwas in Wasser aufgelöstem Natron.

- Bewahren Sie Lebensmittel in sicher verschlossenen Behältern auf. Andernfalls können sich Mikroorganismen ausbreiten und unangenehme Gerüche verursachen.

- Bewahren Sie keine abgelaufenen oder verdorbenen Lebensmittel im Kühlschrank auf.

6.2. Kunststoffflächen richtig pflegen

Auf Kunststoffflächen verschüttetes Öl kann die Oberfläche beschädigen und muss sofort mit warmem Wasser beseitigt werden.

6.3. Türglas

Entfernen Sie die Schutzfolie von der Scheibe. Die Oberfläche der Scheibe ist beschichtet. Die Beschichtung reduziert Fleckenbildung auf ein Minimum und ermöglicht die einfache Beseitigung von Flecken und Schmutz. Nicht durch eine Beschichtung geschützte Glasscheiben können einer dauerhaften Bindung von organischen oder anorganischen Reinigern in Luft und Wasser, wie Kalk, Mineralsalzen, unverbrannten Kohlenwasserstoffen, Metalloxiden und Silikonen, ausgesetzt sein, die in kurzer Zeit zu einfacher Fleckenbildung und physikalischen Schäden führen. In diesem Fall lässt sich das Glas auch bei regelmäßiger Reinigung nur mit Mühe sauber halten. Dadurch werden Klarheit und Aussehen der Glasscheibe beeinträchtigt. Aggressive und scheuernde Reinigungsmethoden und -utensilien verstärken diesen Schaden zusätzlich und beschleunigen die Abnutzung.

Zur routinemäßigen Reinigung empfehlen wir nicht alkalische und nicht scheuernde Reinigungsprodukte auf Wasserbasis.

Damit die Beschichtung möglichst lange hält, sollten Sie keine alkalischen oder scheuernden Materialien verwenden.

Zur Erhöhung der Beständigkeit des Glases gegenüber Stößen und Bruch wurde es gehärtet. Zusätzlich zum Glas wurde eine Sicherheitsschicht auf die Rückseite aufgetragen, die eine Gefährdung der Umgebung im Falle von Bruchschäden verhindert.

*Alkali ist eine Basis, die Hydroxid-Ionen bildet (OH⁻), wenn sie in Wasser aufgelöst wird.

Li (Lithium), Na (Natrium), K (Kalium), Rb (Rubidium), Cs (Cäsium) und radioaktive Fr (Francium) Metalle werden als ALKALIMETALLE bezeichnet.

7 Problemlösung

Bitte schauen Sie sich zunächst diese Liste an, bevor Sie sich an den Kundendienst wenden. Das kann Ihnen Zeit und Geld sparen. In der Liste finden Sie Lösungsvorschläge für allgemeine Probleme, die nicht durch Material- oder Herstellungsfehler verursacht werden. Bestimmte hierin erwähnte Funktionen und Merkmale treffen möglicherweise nicht auf Ihr Produkt zu.

Der Kühlschrank schaltet sich nicht ein.

- Der Netzstecker ist nicht vollständig eingesteckt. >>> Stecker vollständig in die Steckdose einstecken.
- Die mit der Steckdose, die das Produkt mit Strom versorgt, verbundene Sicherung oder die Hauptsicherung ist durchgebrannt. >>> Sicherungen prüfen.

Kondensation an den Seitenwänden des Kühlbereiches (Multizone, Kühlkontrolle und FlexiZone).

- Die Umgebungstemperatur ist zu niedrig. >>> Produkt nicht in Umgebungen mit Temperaturen unter -5 °C aufstellen.
- Die Tür wird zu häufig geöffnet. >>> Darauf achten, die Gerätetür nicht zu häufig zu öffnen.
- Die Umgebungsfeuchtigkeit ist zu hoch. >>> Produkt nicht in Umgebungen mit hoher Luftfeuchtigkeit aufstellen.
- Lebensmittel mit hohem Flüssigkeitsgehalt werden in nicht abgedichteten Behältern aufbewahrt. >>> Lebensmittel mit hohem Flüssigkeitsgehalt in abgedichteten Behältern aufbewahren.
- Die Gerätetür wurde offen gelassen. >>> Gerätetür nicht längere Zeit offen lassen.
- Das Thermostat ist auf eine zu geringe Temperatur eingestellt. >>> Thermostat auf eine geeignete Temperatur einstellen.

Der Kompressor läuft nicht.

- Wenn ein Stromausfall auftritt oder der Netzstecker gezogen und wieder angeschlossen wird, ist der Gasdruck im Kühlsystem des Gerätes nicht ausgeglichen, was den Temperaturschutz des Kompressors auslöst. Das Produkt startet nach etwa 6 Minuten neu. Falls das Produkt nach diesem Zeitraum nicht neu startet, wenden Sie sich an den Kundendienst.
- Die Abtaufunktion ist aktiv. >>> Dies ist bei einem vollautomatisch abtauenden Produkt normal. Das Abtauen wird regelmäßig durchgeführt.
- Das Gerät ist nicht an die Stromversorgung angeschlossen. >>> Prüfen, ob das Netzkabel angeschlossen ist.
- Die Temperatur ist nicht richtig eingestellt. >>> Die geeignete Temperatureinstellung wählen.
- Der Strom ist ausgefallen. >>> Sobald die Stromversorgung wiederhergestellt ist, setzt das Gerät den Betrieb fort.

Während der Benutzung nehmen die Betriebsgeräusche des Kühlschranks zu.

- Die Betriebsleistung des Gerätes kann je nach Umgebungstemperatur variieren. Dies ist völlig normal und keine Fehlfunktion.

Problemlösung

Der Kühlschrank arbeitet zu oft oder zu lange.

- Ihr neues Gerät ist vielleicht etwas größer als sein Vorgänger. Größere Produkte arbeiten länger.
- Die Umgebungstemperatur ist sehr hoch. >>> Das Gerät arbeitet bei höheren Umgebungstemperaturen normalerweise länger.
- Das Gerät wurde erst vor Kurzem angeschlossen oder mit neuen Lebensmitteln beladen. >>> Das Gerät benötigt mehr Zeit zum Erreichen der eingestellten Temperatur, wenn es gerade erst angeschlossen oder mit neuen Lebensmitteln befüllt wurde. Dies ist völlig normal.
- Es wurden erst vor Kurzem große Mengen warmer oder gar heißer Lebensmittel in das Gerät gegeben. >>> Keine warmen oder gar heißen Lebensmittel in das Gerät geben.
- Die Türen wurden häufig geöffnet oder längere Zeit offen gelassen. >>> Da warme Luft in das Innere strömt, muss das Gerät länger arbeiten. Türen nicht zu häufig öffnen.
- Die Tür des Tiefkühl- oder Kühlbereichs steht halb offen. >>> Prüfen, ob Türen vollständig geschlossen sind.
- Das Gerät wurde auf eine zu geringe Temperatur eingestellt. >>> Höhere Temperatur einstellen und warten, bis das Gerät die eingestellte Temperatur erreicht hat.
- Die Türdichtungen von Kühl- oder Gefrierbereich sind verschmutzt, verschlissen, beschädigt oder sitzen nicht richtig. >>> Dichtung reinigen oder ersetzen. Beschädigte/verschlissene Dichtungen sorgen dafür, dass das Produkt zum Halten der aktuellen Temperatur länger arbeiten muss.

Die Temperatur im Tiefkühlbereich ist sehr niedrig, während die Temperatur im Kühlbereich angemessen ist.

- Die Tiefkühlbereichtemperatur ist sehr niedrig eingestellt. >>> Tiefkühlbereichtemperatur höher einstellen, Temperatur nach einer Weile prüfen.

Die Temperatur im Tiefkühlbereich ist sehr niedrig, während die Temperatur im Kühlbereich angemessen ist.

- Die Kühlbereichtemperatur ist sehr niedrig eingestellt. >>> Tiefkühlbereichtemperatur höher einstellen, Temperatur nach einer Weile prüfen.

Im Kühlbereich gelagerte Lebensmittel frieren ein.

- Die Kühlbereichtemperatur ist sehr niedrig eingestellt. >>> Tiefkühlbereichtemperatur höher einstellen, Temperatur nach einer Weile prüfen.

Die Temperatur im Kühl- oder Tiefkühlbereich ist zu hoch.

- Die Kühlbereichtemperatur ist sehr hoch eingestellt. >>> Die Kühlbereichtemperatur beeinflusst die Tiefkühlbereichtemperatur. Warten Sie, bis die entsprechenden Teile die erforderliche Temperatur erreicht haben, indem Sie die Temperatur des Kühl- oder Tiefkühlbereichs ändern.
- Die Türen wurden häufig geöffnet oder längere Zeit offen gelassen. >>> Türen nicht zu häufig öffnen.
- Die Tür steht halb offen. >>> Tür vollständig schließen.
- Das Gerät wurde erst kurz zuvor angeschlossen oder es wurden neue Lebensmittel hineingegeben. >>> Dies ist völlig normal. Das Gerät benötigt mehr Zeit zum Erreichen der eingestellten Temperatur, wenn es gerade erst angeschlossen oder mit neuen Lebensmitteln befüllt wurde.
- Es wurden erst vor Kurzem große Mengen warmer oder gar heißer Lebensmittel in das Gerät gegeben. >>> Keine warmen oder gar heißen Lebensmittel in das Gerät geben.

Vibrationen oder Betriebsgeräusche.

- Der Boden ist nicht eben oder stabil. >>> Falls das Produkt bei langsamem Bewegen wackelt, müssen die Füße zum Ausgleichen des Gerätes angepasst werden. Außerdem darauf achten, dass der Untergrund ausreichend stabil ist, das Gerät zu tragen.
- Jegliche auf dem Gerät abgelegten Dinge können Geräusche verursachen. >>> Jegliche auf dem Gerät abgelegten Dinge entfernen.

Problemlösung

Das Produkt macht Sprüh- oder Fließgeräusche etc.

- Die Arbeitsweise des Gerätes beinhaltet Flüssigkeits- und Gasströme. >>> Dies ist völlig normal und keine Fehlfunktion.

Das Gerät macht windartige Geräusche.

- Das Produkt nutzt einen Lüfter zur Kühlung. Dies ist völlig normal und keine Fehlfunktion.

Es befindet sich Kondenswasser an den Innenwänden des Produktes.

- Bei heißen oder feuchten Wetterlagen treten verstärkt Eisbildung und Kondensation auf. Dies ist völlig normal und keine Fehlfunktion.
- Die Tür wurde häufig geöffnet oder längere Zeit offen gelassen. >>> Tür nicht zu häufig öffnen; Tür nicht offen stehen lassen.
- Die Tür steht halb offen. >>> Tür vollständig schließen.

Es befindet sich Kondenswasser an der Außenseite des Produktes oder zwischen den Türen.

- Eventuell herrscht hohe Luftfeuchtigkeit; dies ist je nach Wetterlage völlig normal. >>> Das Kondenswasser verdunstet, wenn sich die Luftfeuchtigkeit verringert.

Der Innenraum riecht unangenehm.

- Das Produkt wurde nicht regelmäßig gereinigt. >>> Innenraum regelmäßig mit einem Schwamm und warmem Wasser und etwas in Wasser aufgelöstem Natron reinigen.
- Bestimmte Verpackungsmaterialien können Geräusche verursachen. >>> Geruchsneutrale Halterungen und Verpackungen verwenden.
- Lebensmittel wurde in offenen Behältern in den Kühlschrank gestellt. >>> Lebensmittel in sicher abgedichteten Behältern aufbewahren. Andernfalls können sich Mikroorganismen ausbreiten und unangenehme Gerüche verursachen. Jegliche abgelaufenen oder verdorbenen Lebensmittel aus dem Gerät entfernen.

Die Tür lässt sich nicht schließen.

- Lebensmittelverpackungen blockieren die Tür. >>> Inhalt so platzieren, dass die Tür nicht blockiert wird.
- Das Gerät steht nicht vollständig aufrecht auf dem Boden. >>> Füße zum Ausgleichen des Gerätes anpassen.
- Der Boden ist nicht eben oder stabil. >>> Darauf achten, dass der Untergrund eben und ausreichend stabil ist, das Gerät zu tragen.

Das Gemüsefach klemmt.

- Die Lebensmittel berühren den oberen Bereich der Schublade. >>> Lebensmittel in der Schublade neu anordnen.



WARNUNG: Falls sich das Problem nicht durch Befolgen der Anweisungen in diesem Abschnitt beheben lässt, wenden Sie sich an Ihren Händler oder ein autorisiertes Kundencenter. Versuchen Sie nicht, das Produkt zu reparieren.



57 5538 0000/AU

1/5

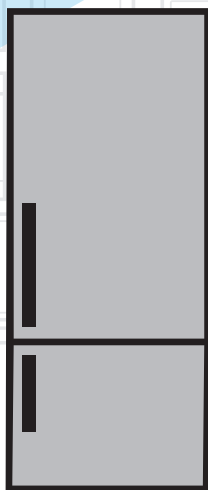
EN-FR-DE



www.beko.com

Refrigerator

User manual



RCNE520E32X
RCNE520E31DW
RCNE520E31DS
RCNE520E31W

RCNE520E31S
RCNE520K21DS
RCNE520K21DW
RCNE520E41ZX

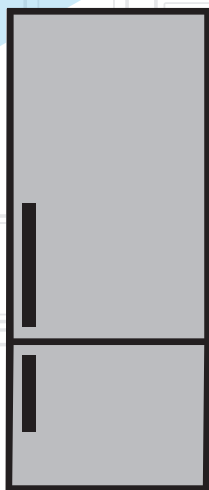
RCNE520E32DJX
RCNE520E30JGB

FL | SL | IT

beko

Koelkast

Gebruikershandleiding



FLI

beko

Lees deze handleiding voor u het product gebruikt!

Beste klant,

We willen optimale prestaties bereiken met onze producten die in moderne faciliteiten worden gefabriceerd met nauwgezette kwaliteitscontroles.

We raden daarom ook aan de volledige handleiding door te nemen voor u het product in gebruik neemt. Als het product wordt doorgegeven aan een derde persoon mag men niet vergeten de handleiding ook te overhandigen aan de nieuwe eigenaar samen met het product.

Deze handleiding helpt u uw product snel en veilig te gebruiken.

- Lees de gebruikershandleiding voor de installatie en bediening van het product.
- U moet de geldige veiligheidsinstructies altijd naleven.
- Bewaar de handleiding binnen handbereik voor een eventuele raadpleging in de toekomst.
- Lees alle andere documenten die worden geleverd met het product.

Vergeet niet dat deze handleiding van toepassing kan zijn op meerdere productmodellen. De handleiding vermeldt eventuele variaties tussen de verschillende modellen heel duidelijk.



Belangrijke informatie en handige tips.



Risico van fatale gevolgen en schade aan eigendom.



Risico van elektrische schokken.



De verpakking van het product is vervaardigd uit recyclebaar materiaal, in overeenstemming met de Nationale Milieuwetgeving.

1	Belangrijke Veiligheids- en omgevingsinstructies	3	5	Het product gebruiken	14
1.1.	Algemene veiligheid	3	5.1.	Temperatuur instelling knop	14
1.1.1	HC waarschuwing	5	5.2.	Snel invriezen	14
1.1.2	Voor modellen met een waterfontein	5	5.3.	Vakantiefunctie	15
1.2.	Bedoeld gebruik.	6	5.4.	Indicatorpaneel	16
1.3.	Kinderveiligheid	6	5.5.	Indicatorpaneel	18
1.4.	Conformiteit met de WEEE-richtlijn en Verwijdering van afvalproducten.	6	5.6.	IJsemmer	21
1.5.	Conformiteit met de RoHS-richtlijn	7	5.7.	Eihouder	21
1.6.	Informatie op de verpakking	7	5.8.	Ventilator.	21
2	Uw koelkast	8	5.9.	Groentevak.	21
3	Installatie	9	5.10.	Nul-graden compartiment	21
3.1.	Correcte plaats voor de installatie	9	5.11.	Bewegend deurrek	22
3.2.	De plastic spieën bevestigen.	9	5.12.	IJsvak	22
3.3.	De voetjes aanpassen	9	5.13.	Vochtgecontroleerd groentevak	23
3.4.	Stroomaansluiting	10	5.14.	Automatische ijsmachine	23
3.5.	De deuren omkeren	11	5.15.	Icematic en ijsvak container	24
3.6.	De deuren omkeren	12	5.16.	Waterdispenser.	24
4	Vorbereiding	13	5.17.	Gebruik van de waterdispenser	25
4.1.	Wat u kunt doen om energie te besparen	13	5.18.	Het reservoir van de waterdispenser vullen	25
4.2.	Eerste gebruik	13	5.19.	Waterlade.	27
			5.20.	Verse etenswaren invriezen	28
			5.21.	Aanbevelingen voor het opslaan van ingevroren etenswaren	28
			5.22.	Informatie over de diepvriezer	29
			5.23.	De etenswaren plaatsen	29
			5.24.	Deur open alarm.	29
			5.25.	De openingsrichting van de deur wijzigen.	29
			5.26.	Interne verlichting	29
			6	Onderhoud en reiniging	30
			6.1.	Onaangename geurtjes vermijden.	30
			6.2.	Plastic oppervlakten beschermen	30
			6.3.	Glas in de deur	30
			7	Probleemoplossen	31

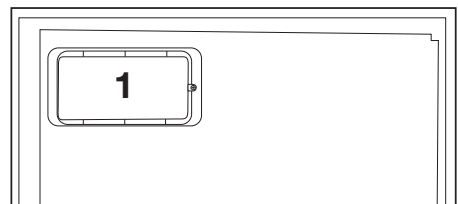
1 Belangrijke Veiligheids- en omgevingsinstructies

Deze sectie bevat de noodzakelijke veiligheidsinstructies om risico op letsels of materiële schade te vermijden. Het niet naleven van deze instructies resulteert in de nietigverklaring van alle mogelijke productgaranties.

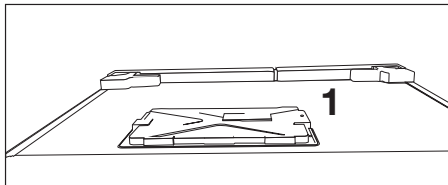
1.1. Algemene veiligheid

- Dit product mag niet worden gebruikt door personen met fysieke, gevoelsmatige en mentale handicaps, door personen met onvoldoende kennis en ervaring of door kinderen. Het apparaat mag enkel worden gebruikt door dergelijke personen als ze onder toezicht en instructies staan van een persoon die verantwoordelijk is voor hun veiligheid. Kinderen mogen niet met dit apparaat spelen.
- Als er een defect optreedt, moet u de stekker verwijderen uit het stopcontact.
- Nadat u de stekker hebt verwijderd, moet u 5 minuten wachten voor u hem opnieuw in het stopcontact voert.
- Verwijder de stekker van het product uit het stopcontact als u het niet gebruikt.

- U mag het product niet aanraken met natte handen! Trek niet aan het netsnoer maar houd het steeds vast bij de stekker.
- Wrijf de pinnen van de stekker af met een droge doek voor u hem in het stopcontact voert.
- U mag de stekker van de koelkast niet invoeren als het stopcontact los zit.
- Verwijder de stekker uit het stopcontact tijdens de installatie, onderhoudswerken, reiniging en reparaties.
- Als u het product gedurende een lange periode niet gebruikt, moet u de stekker van het product uit het stopcontact verwijderen en alle etenswaren verwijderen.
- Gebruik het product niet als het compartiment met circuitkaarten op het bovenste deel achteraan van het product (elektrische kaart doos deksel) (1) open is.



Veiligheids- en omgevingsinstructies



- Gebruik geen stoom of stoomreinigers om de koelkast te reinigen en het ijs te smelten. Stoom kan in contact komen met de geëlektrificeerde zones en kortsluitingen of elektrische schokken veroorzaken!
- U mag het product niet reinigen door er water op te verstuiven of te gieten! Gevaar van elektrische schokken!
- Als er een defect optreedt, mag u het product niet gebruiken want dit kan elektrische schokken veroorzaken. Neem contact op met de geautoriseerde dienst voor u iets doet.
- Voer de stekker in een geaard stopcontact. De aarding moet worden uitgevoerd door een gekwalificeerde electricien.
- Als het product voorzien is van een LED-type verlichting moet u contact opnemen met de geautoriseerde

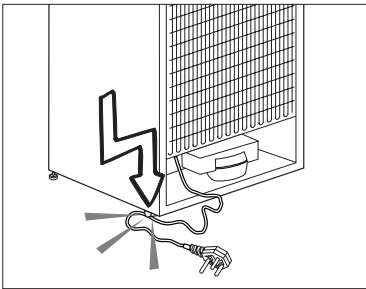
dienstverlening om het te vervangen als er een probleem optreedt.

- Raak geen bevroren goederen aan met natte handen! Ze kunnen blijven plakken aan uw handen!
- Plaats geen vloeistoffen in flessen en blikjes in het vriesvak. Deze kunnen namelijk barsten!
- Plaats vloeistoffen rechtop nadat u het deksel stevig hebt gesloten.
- U mag geen ontvlambare stoffen in de buurt van het product verstuiven want deze kunnen branden of ontploffen.
- Bewaar geen ontvlambaar materiaal en producten met ontvlambaar gas (sprays, etc.) in de koelkast.
- Plaats geen containers met vloeistof bovenop het product. Water spatten op een geëlektrificeerd onderdeel kan elektrische schokken veroorzaken en fataal aflopen.
- Het product blootstellen aan regen, sneeuw, zonlicht

Veiligheids- en omgevingsinstructies

en wind veroorzaakt elektrisch gevaar. Als u het product verplaatst, mag u er niet aan trekken bij het handvat. Het handvat kan los komen.

- Zorg ervoor uw handen of lichaam niet te klemmen in een van de bewegende delen van het product.
- U mag niet stappen of leunen op de deur, laden of gelijkaardige delen van de koelkast. Dit kan er toe leiden dat het product valt en het kan schade veroorzaken aan de onderdelen.
- Let erop het netsnoer niet te klemmen.



1.1.1 HC waarschuwing

Als het product voorzien is van een koelsysteem met R600 gas moet u er op letten het koelsysteem en de leiding niet te beschadigen wanneer u het product gebruikt of verplaatst.

Dit gas is ontvlambaar. Als het koelsysteem beschadigd is, moet u het product uit te buurt van brandhaarden houden en de ruimte onmiddellijk ventileren.



Het label links aan de binnenzijde geeft het type gas aan dat in het product wordt gebruikt.

1.1.2 Voor modellen met een waterfontein

- De druk van de koud waterinlaat mag maximum 90psi (6.2 bar) bedragen. Als uw waterdruk hoger is dan 80psi (5,5 bar) moet u een drukbegrenzer gebruiken in uw netwerk. Als u niet weet hoe u uw waterdruk kunt controleren, moet u hulp vragen van een professionele loodgieter.
- Als het risico bestaat op een waterslageffect in uw installatie moet u altijd een waterslag preventie apparatuur installeren. Raadpleeg een professionele loodgieter als u niet zeker bent of er een waterslageffect aanwezig is in uw installatie.

Veiligheids- en omgevingsinstructies

- Installeer deze niet op de warme waterinlaat. Neem de nodige maatregelen tegen het bevroren van de leidingen. De watertemperatuur bedrijfsinterval moet minimum 330F (0,6°C) en maximum 1000F (38°C) zijn.
- Gebruik enkel drinkwater.

1.2. Bedoeld gebruik

- Dit product is ontworpen voor huishoudelijk gebruik. Het is niet bedoeld voor commercieel gebruik.
- Het product mag enkel worden gebruikt om etenswaren en dranken op te slaan.
- U mag geen gevoelige producten bewaren die een gecontroleerde temperatuur vereisen (vaccins, warmtegevoelige medicatie, medische producten, etc.) in de koelkast.
- De fabrikant aanvaardt geen verantwoordelijkheid voor eventuele schade als het gevolg van misbruik of een incorrecte hantering.

- De levensduur van het product is 10 jaar. De noodzakelijke reserveonderdelen voor de werking van het product zullen beschikbaar blijven tijdens deze periode.

1.3. Kinderveiligheid

- Houd de verpakking uit de buurt van kinderen.
- Laat kinderen nooit spelen met het product.
- Als de deur van het product voorzien is van een slot moet u ze uit de buurt van kinderen houden.

1.4. Conformiteit met de WEEE-richtlijn en Verwijdering van afvalproducten

Dit product is conform met de EU WEEE-richtlijn (2012/19/EU). Dit product draagt een classificatiesymbool voor afval elektrische en elektronische apparatuur (WEEE).



Dit product werd vervaardigd met kwalitatief hoogstaande onderdelen en materialen die opnieuw kunnen worden gebruikt en die geschikt zijn voor recycling. U mag het afvalproduct niet verwijderen met het normale huishoudelijke en andere afval

aan het einde van de levensduur. Breng het naar een inzamelcentrum voor de recycling van elektrische en elektronische apparatuur. Raadpleeg uw lokale autoriteiten voor meer informatie over deze inzamelcentra.

Veiligheids- en omgevingsinstructies

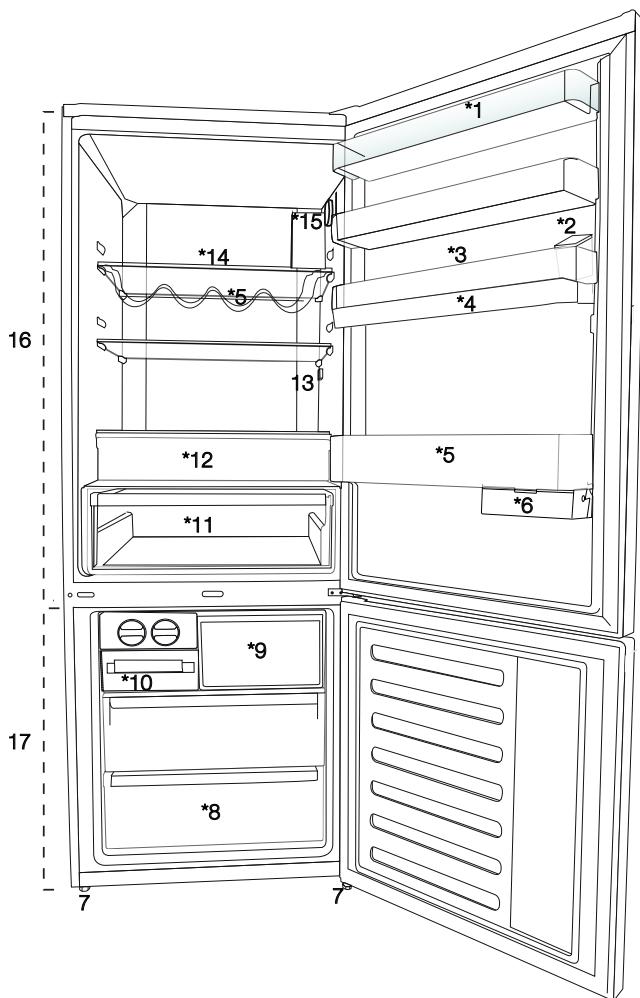
1.5. Conformiteit met de RoHS-richtlijn

- Dit product is conform met de EU WEEE-richtlijn (2011/65/EU). Het bevat geen schadelijk en verboden materiaal zoals gespecificeerd in de Richtlijn.

1.6. Informatie op de verpakking

- Het verpakkingsmateriaal van het product is gefabriceerd van recyclebaar materiaal in overeenstemming met onze Nationale Milieuwetgeving. U mag het verpakkingsmateriaal niet samen met het huishoudelijke of ander afval weggooien. Breng het naar de inzamelpunten voor verpakkingsmateriaal aangewezen door de lokale autoriteiten.

2 Uw koelkast



1. Koelvak deurlade
2. Vulreservoir waterdispenser
3. Eiergedeelte
4. Reservoir waterdispenser
5. Flessenlade
6. Ijsvak
7. Instelbare voetjes
8. Vriesvak
9. Snel vriesvak
10. Ijslade & ijsbank
11. Groentevak
12. Nul-graden compartiment
13. Interne verlichting
14. Koelvak glazenlade
15. Temperatuur instelling knop
16. Koelvak
17. Vriesvak



***optioneel:** Foto's in deze handleiding dienen enkel als voorbeeld en zijn mogelijk niet exact hetzelfde als uw product. Als de betrokken vakken niet aanwezig zijn in uw product verwijst de informatie naar andere modellen.

3 Installatie

3.1. Correcte plaats voor de installatie

Neem contact op met de Geautoriseerde Dienst voor de installatie van het product. Om het product voor te bereiden voor de installatie kunt u de informatie raadplegen in de handleiding en ervoor zorgen dat de elektrische en watervoorzieningen correct zijn uitgevoerd. Zo niet moet u een elektricien en loodgieter aanspreken om de voorzieningen correct uit te voeren.



WAARSCHUWING: De fabrikant aanvaardt geen verantwoordelijkheid voor eventuele schade veroorzaakt door werkzaamheden die worden uitgevoerd door niet-geautoriseerde personen.



WAARSCHUWING: Het netsnoer van het product moet uit het stopcontact worden verwijderd tijdens de installatie. Zo niet kan dit fataal aflopen of resulteren in ernstige letsels!



WAARSCHUWING: Als de deuropening te nauw is om het product door te laten, moet u de deur verwijderen en het product zijdelings draaien; als dit niet werkt, kunt u contact opnemen met de geautoriseerde dienst.

- Plaats het product op een vlakke ondergrond om trillingen te vermijden.
- Plaats het product minimum 30 cm verwijderd van de radiator, het fornuis en gelijkaardige warmtebronnen en minimum 5 cm van elektrische ovens.
- U mag het product niet blootstellen aan direct zonlicht en u mag het niet bewaren in een vochtige omgeving.
- Het product vereist voldoende luchtcirculatie voor een efficiënte werking.
- Als het product in een muurholte wordt geplaatst, mag u niet vergeten minimum 5 cm tussenruimte te laten tussen het product en het plafond en de muren.
- Installeer het product niet in omgevingen met temperaturen van minder dan -5°C .

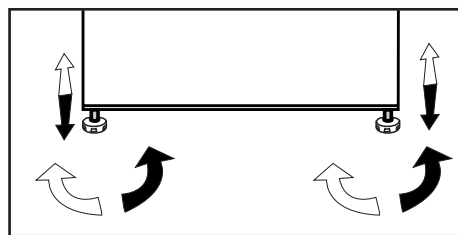
3.2. De plastic spieën bevestigen

Gebruik de plastic spieën die worden geleverd met het product om voldoende ruimte te laten voor de luchtcirculatie tussen het product en de muur.

1. Om de spieën te bevestigen, verwijdert u de schroeven van het product en gebruikt u de schroeven die worden geleverd met de spieën.
2. Bevestig 2 plastic spieën op het ventilatiedeksel zoals aangetoond in de afbeelding.

3.3. De voetjes aanpassen

Als het product niet in evenwicht staat, moet u de voorste instelbare voetjes aanpassen door ze naar rechts of links te draaien.



Installatie

3.4. Stroomaansluiting



WAARSCHUWING: Gebruik geen verlengsnoer of meervoudige stopcontacten voor de stroomverbinding.



WAARSCHUWING: Een beschadigd netsnoer moet worden vervangen door een Geautoriseerde Dienst.



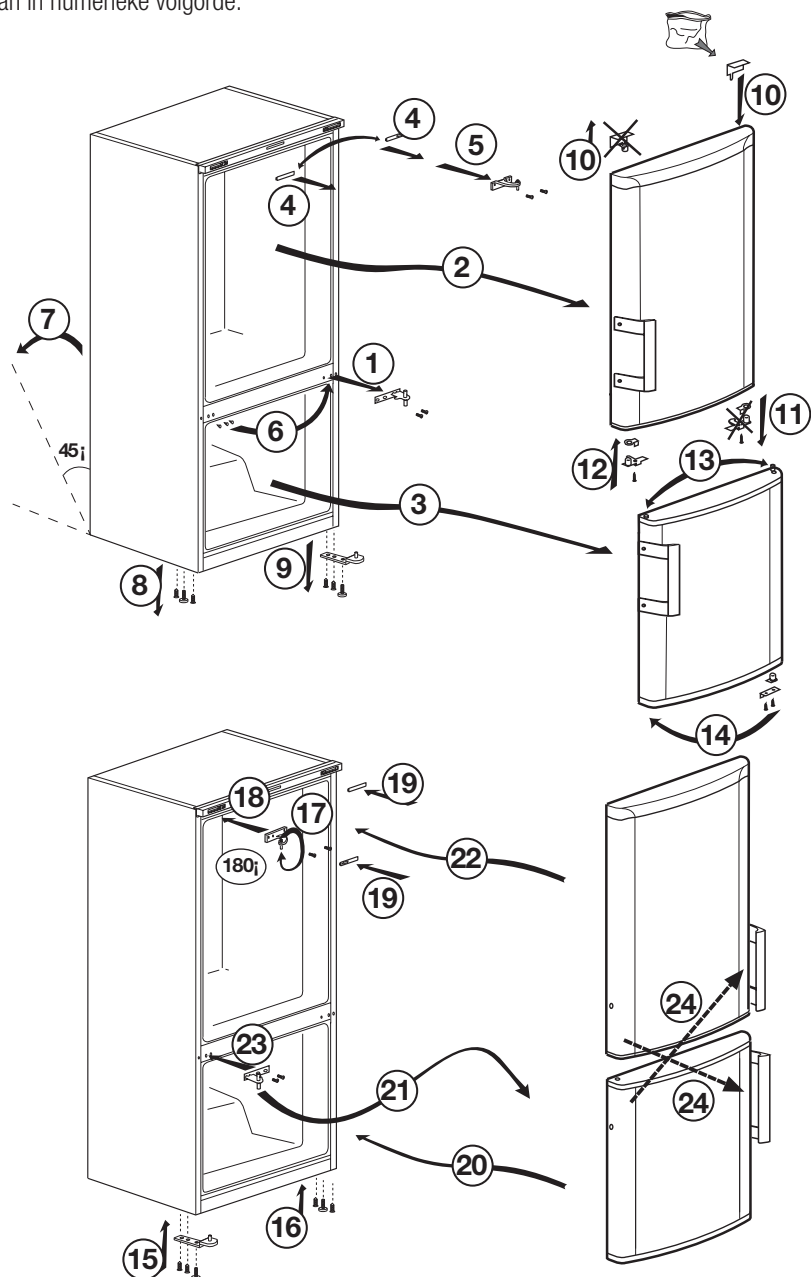
Als u twee koelers naast elkaar plaatst, moet u minimum 4 cm afstand laten tussen beide toestellen.

- Ons bedrijf aanvaardt geen verantwoordelijkheid voor eventuele schade door het gebruik zonder aarding en stroomverbinding conform de nationale wetgeving.
- De netstekker moet gemakkelijk toegankelijk blijven na de installatie.
- Sluit de koelkast aan op een geaard stopcontact met een spanning van 220-240V/50 Hz. De stekker moet voorzien zijn van een 10-16A zekering.
- Gebruik geen multi-groep stekker met of zonder verlengsnoer tussen het stopcontact en de koelkast.

Installatie

3.5. De deuren omkeren

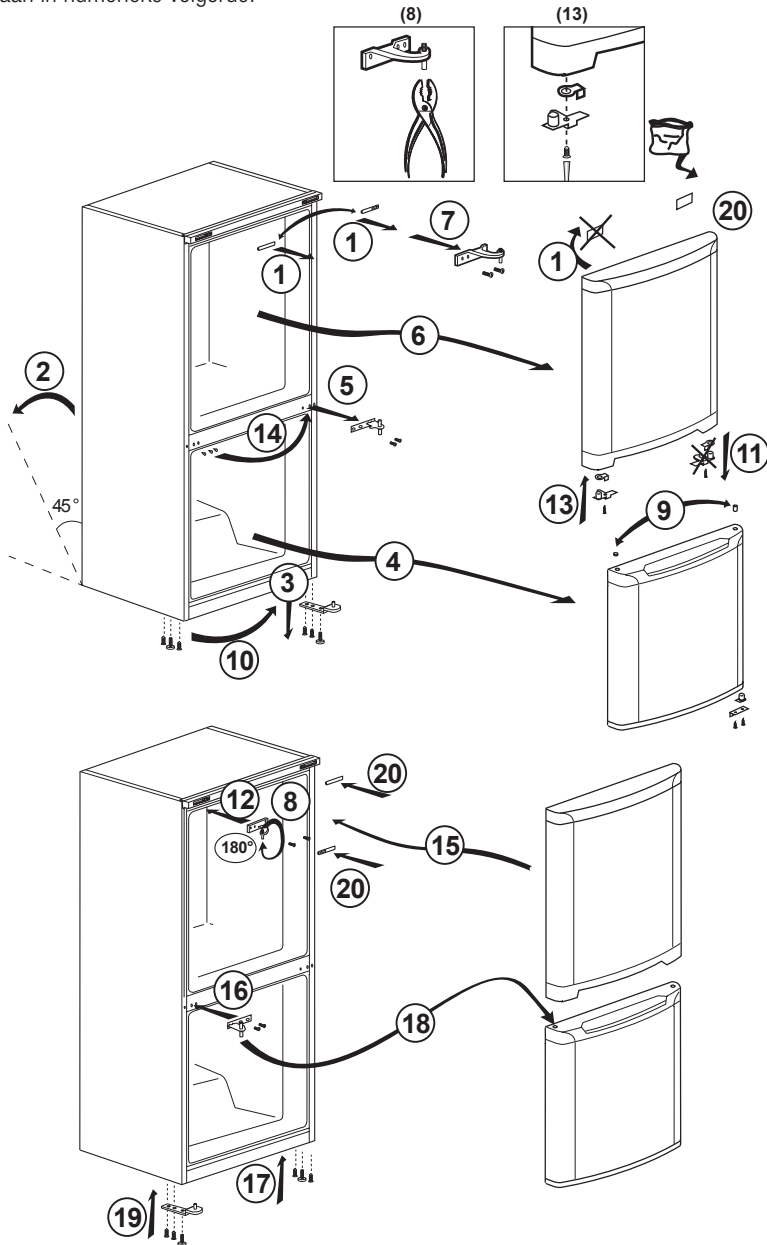
Doorgaan in numerieke volgorde.



Installatie

3.6. De deuren omkeren

Doorgaan in numerieke volgorde.



4 Voorbereiding

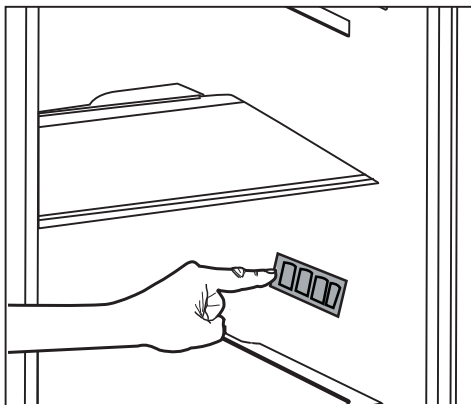
4.1. Wat u kunt doen om energie te besparen



Het product verbinden met elektronische energiebesparende systemen is schadelijk want het kan uw product beschadigen.

- Houd de deur van de koelkast niet te lang open.
- Plaats geen warme dranken in de koelkast.
- U mag de koelkast niet te veel opvullen; als u de interne luchtcirculatie blokkeert, vermindert het koelvermogen.
- Om een maximale hoeveelheid etenswaren op te slaan in het koelvak van uw koelkast kunt u de bovenste laden verwijderen en ze op het glazen rek plaatsen. Het vermelde energieverbruik van uw koelkast werd bepaald door het koelvak, ijslade en bovenste laden te verwijderen op een wijze die een optimale bewaring toelaat. Het is aangeraden de onderste lade te gebruiken om etenswaren te bewaren. De energiebesparingsfunctie moet worden ingeschakeld voor een optimaal energieverbruik.
- U mag de luchtstroom niet blokkeren door etenswaren voor de ventilator te plaatsen. U moet minimum 3cm vrij laten voor het rooster van de ventilator wanneer u etenswaren in de koelkast plaatst.
- Afhankelijk van de kenmerken van het product; ingevroren etenswaren ontdooien in het koelvak resulteert in energiebesparing en bewaart de kwaliteit van de etenswaren.
- Etenswaren moeten worden bewaard op de laden in het koelvak om energie te besparen en etenswaren in betere omstandigheden te beschermen.
- Pakketten met etenswaren mogen niet in direct contact staan met de warmtesensor in het koelvak. Als ze in contact staan met de sensor kan het energieverbruik van het apparaat stijgen.

- Zorg ervoor dat de etenswaren niet in contact komen met de hieronder beschreven temperatuursensor van het koelvak.



4.2. Eerste gebruik

Voor u de koelkast in gebruik neemt, moet u ervoor zorgen dat u de nodige voorbereidingen treft in overeenstemming met de instructies vermeld in de "Veiligheids- en omgevingsinstructies" en "Installatie" secties.

- Schakel het product in zonder etenswaren en laat het werken gedurende 6 uur. Open de deur niet tenzij absoluut noodzakelijk.



Een geluidssignaal weerklinkt wanneer de compressor wordt ingeschakeld. Het is normaal dat u geluid hoort, zelfs als de compressor niet ingeschakeld is, omwille van de perslucht en gassen in het koelsysteem.



De voorste randen van het apparaat kunnen opwarmen. Dit is normaal. Deze zones zijn ontworpen om op te warmen en condensatie te vermijden.



In sommige modellen schakelt het indicatorpaneel automatisch uit 5 minuten nadat de deur sluit. Ze wordt opnieuw ingeschakeld wanneer de deur geopend wordt of een toets ingedrukt wordt.

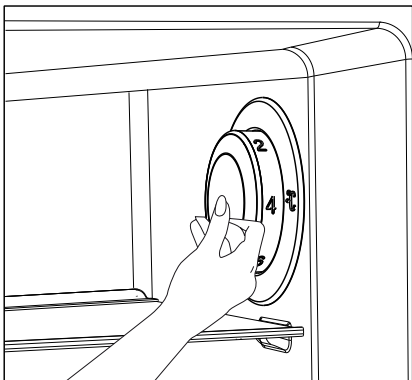
5.1. Temperatuur instelling knop

De interne temperatuur van uw koelkast kan variëren omwille van de volgende redenen:


- Seizoensgebonden temperaturen;
- De deur regelmatig openen en ze langdurig open laten,
- Maaltijden in de koelkast plaatsen zonder ze af te laten koelen tot kamertemperatuur,
- De locatie van de koelkast in de kamer (bijv. blootgesteld aan zonneschijn).
- Interne temperatuurvariaties omwille van deze factoren kunnen worden aangepast met de regelknop.

De cijfers rond de regelknop geven de temperatuur aan in °C.

Als de omgevingstemperatuur 20°C is, wordt het aanbevolen de temperatuur in de koelkast in te stellen op 4°C. In andere omgevingstemperaturen kan deze waarde worden aangepast.

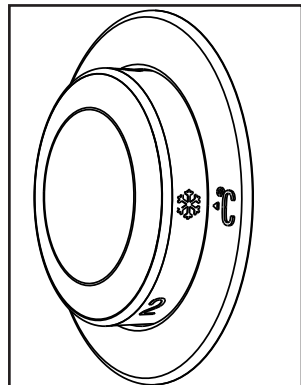


5.2. Snel invriezen

Als u grote hoeveelheden verse etenswaren wilt invriezen, schakelt u de temperatuur regelknop op de  stand voor u etenswaren in het snel vriesvak plaatst.


Het wordt aanbevolen de knop op deze stand te houden gedurende 24 uur om een maximale hoeveelheid etenswaren in te vriezen, aangegeven als de vriescapaciteit. U mag geen etenswaren, die als ingevroren etenswaren worden verkocht, mengen met verse etenswaren.

Vergeet niet de temperatuur regelknop terug te schakelen naar de vorige stand.



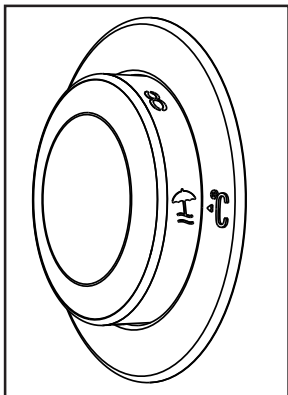
Het gebruik van het product

5.3. Vakantiefunctie

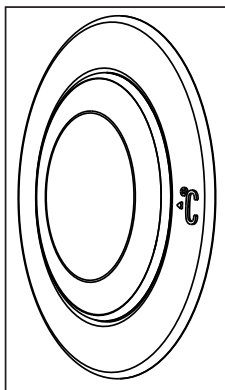
Als de deuren van het product niet worden () geopend gedurende minimum 12 uur nadat de temperatuur ingesteld werd op de hoogste positie wordt de vakantiefunctie automatisch ingeschakeld.

De knop instelling moet worden gewijzigd om deze functie te annuleren.

Het is niet aanbevolen etenswaren te bewaren in het koelvak wanneer de vakantiefunctie ingeschakeld is.



- Nadat u deze instelling voltooid hebt, kunt u de temperatuurregelknop verbergen door hem in te drukken.

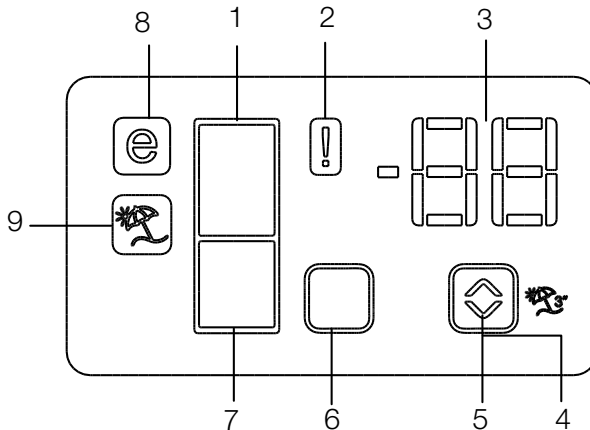


Het gebruik van het product

5.4. Indicatorpaneel

Indicatorpanelen kunnen variëren naargelang het model van uw product.

De geluids- en visuele functies van het indicatorpaneel helpen bij het gebruik van de koelkast.



1. Koelvak indicator
2. Foutstatus indicator
3. Temperatuurindicator
4. Vakantiefunctie knop
5. Temperatuur instelling knop
6. Compartimentsselectie knop
7. Koelvak indicator
8. Besparingsmodus indicator
9. Vakantiefunctie indicator



***Optioneel:** De afbeeldingen in deze handleiding zijn bedoeld als schetsen en het is mogelijk dat ze niet perfect overeenstemmen met uw product. Als de betrokken vakken niet aanwezig zijn in uw product verwijst de informatie naar andere modellen.

Het gebruik van het product

1. Koelvak indicator

Het licht in het koelvak schakelt in wanneer de temperatuur van het koelvak wordt aangepast.


2. Foutstatus indicator

Deze sensor schakelt in als de koelkast onvoldoende koelt of als de sensor defect is. Als deze indicator actief is, geeft de temperatuurindicator van het vriesvak "E" weer en de temperatuurindicator van het koelvak geeft "1, 2, 3..." etc. weer. De cijfers op de indicator dienen om het onderhoudspersoneel informatie te geven over het defect.

3. Temperatuurindicator

Geeft de temperatuur aan van de vries- en koelvakken.

4. Vakantiefunctie knop

Om deze functie in te schakelen, houdt u de Vakantiekноп 3 seconden ingedrukt. Als de Vakantiefunctie actief is, geeft de temperatuurindicator van het koelvak "- -" weer en er is geen koelproces actief in het koelvak. Deze functie is niet geschikt om etenswaren in het koelvak te bewaren. Andere compartimenten blijven gekoeld bij de respectieve temperatuur die werd ingesteld voor ieder compartiment. Druk opnieuw op de Vakantiekноп () om deze functie te annuleren.

5. Temperatuur instelling knop

De respectieve temperatuur in de compartimenten varieert binnen het -24°C... -18°C en 8°C...1°C bereik.

6. Compartimentselectie knop

Gebruik de compartiment selectiekноп van de koelkast om te schakelen tussen het kovel van het vriesvak.

7. Koelvak indicator

Het licht in het vriesvak schakelt in wanneer de temperatuur van het koelvak wordt aangepast.

8. Besparingsmodus indicator

Geeft aan wanneer de koelkast in de energiebesparing modus werkt. Deze indicator is actief als de temperatuur in het vriesvak ingesteld is op -18°C.

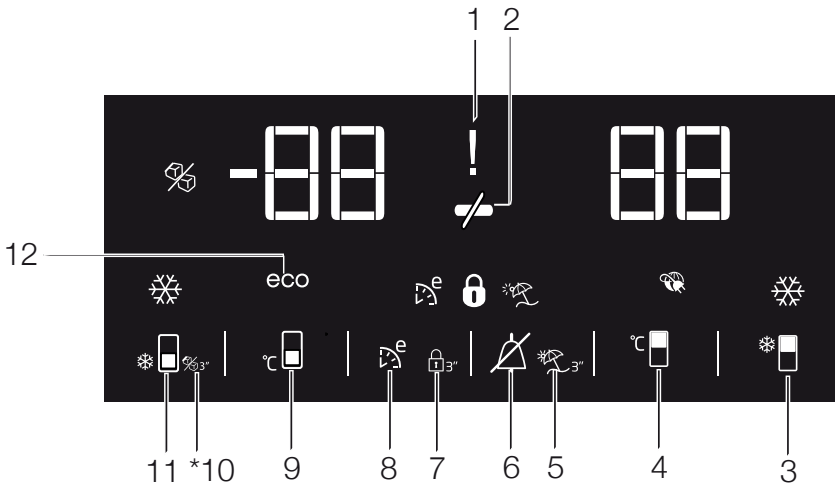
9. Vakantiefunctie indicator

Geeft aan wanneer de vakantiefunctie actief is.

Het gebruik van het product

5.5. Indicatorpaneel

Het indicatorpaneel biedt u de mogelijkheid de temperatuur in te stellen en de andere functies met betrekking tot het product te controleren zonder de deur te openen. Druk op de inscripties op de relevante knoppen voor functie-instellingen.



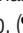
1. Stroompanne/Hoge temperatuur/fout waarschuwingsindicator

Deze indicator  licht op tijdens een stroompanne, hoge temperatuurfouten en foutwaarschuwingen.

Tijdens langdurige stroompannes knippert de hoogste temperatuur die het vriesvak bereikt op het digitale scherm. Na de controle van de etenswaren in het vriesvak () drukt u op de alarm uit knop om de waarschuwing te wissen. Raadpleeg de sectie "aangeraden remedies voor probleemoplossingen" op uw handleiding als u opmerkt dat deze indicator oplicht.

2. Energie besparingsfunctie (scherm uit):

Als de deuren van het product gesloten worden gehouden gedurende een lange periode wordt

de energiebesparingsfunctie automatisch ingeschakeld en het energiebesparing symbol licht op. ()

Wanneer de energiebesparingsfunctie ingeschakeld wordt, schakelen alle symbolen op het scherm uit, behalve het energiebesparing symbol. Wanneer de energiebesparingsfunctie ingeschakeld wordt, en een druk wordt ingedrukt of de deur wordt geopend, wordt de energiebesparingsfunctie geannuleerd en de symbolen op het scherm keert terug naar normaal.


De energiebesparingsfunctie wordt ingeschakeld tijdens de levering uit de fabriek en kan niet worden geannuleerd.



***Optioneel:** De afbeeldingen in deze handleiding zijn bedoeld als schetsen en het is mogelijk dat ze niet perfect overeenstemmen met uw product. Als de betrokken vakken niet aanwezig zijn in uw product verwijst de informatie naar andere modellen.

Het gebruik van het product

3. Snel koelen functie

De knop heeft twee functies. Om de snel koelen functie in- of uitschakelen, drukt u de knop kort in. De Snel koelen indicator schakelt uit en keert terug naar de normale instelling. ()



Gebruik de snel koelen functie wanneer u de etenswaren in het koelvak snel wilt afkoelen. Als u grote hoeveelheden verse etenswaren wilt afkoelen, schakelt u deze functie in voor u de etenswaren in het product plaatst.



Als u ze niet wilt annuleren, annuleert de snel koelen functie automatisch uit na 8 uur of wanneer het koelvak de gewenste temperatuur bereikt.




Als u de snel koelen knop herhaaldelijk indrukt met korte intervallen wordt de elektronische circuit bescherming ingeschakeld en de compressor start onmiddellijk.





Deze functie wordt herroepen wanneer de stroom herstelt na een stroompanne.

4. Diepvriezer temperatuurinstellingen instelknop

Druk op deze knop om de temperatuur in te stellen van het koelvak op 8, 7,6, 5,4,3, 2, 8... respectievelijk. Druk op deze knop om de temperatuur van het koelvak in te stellen op de gewenste waarde. ()

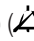
5. Vakantiefunctie

Om de vakantiefunctie in te schakelen, drukt u op deze knop () gedurende 3 seconden en de vakantiemodusindicator () wordt ingeschakeld. Wanneer de vakantiefunctie ingeschakeld is, verschijnt “- -” op de temperatuurindicator van het koelvak en er wordt geen actieve afkoeling uitgevoerd in het

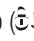
koelvak. Het is niet aanbevolen etenswaren te bewaren in het koelvak wanneer de vakantiefunctie ingeschakeld is. Andere vakken blijven afkoelen op basis van de ingestelde temperatuur.


Om deze functie te annuleren, drukt u opnieuw op de knop **Vakantiefunctie**.

6. Alarm uit waarschuwing:

In het geval van een stroompanne en na de controle van de etenswaren in het vriesvak drukt u op de alarm uit knop () om de waarschuwing te wissen.


7. Toetsvergrendeling

Druk op de toetsvergrendeling knop () gedurende 3 seconden. Toetsvergrendeling symbool

() licht op en de toetsvergrendeling knop modus wordt ingeschakeld. De knoppen werken niet als de toetsvergrendeling ingeschakeld is. Druk opnieuw op de toetsvergrendeling knop gedurende 3 seconden. Het toetsvergrendeling symbool schakelt uit en de toetsvergrendeling modus wordt afgesloten.

Druk op de **toetsenbord vergrendelen** knop als u een wijziging van de temperatuurinstelling van de koelkast wilt voorkomen ().

8. Eco-fuzzy

Houd de Eco-fuzzy knop ingedrukt gedurende 1 seconden om de Eco-fuzzy functie in te schakelen. De koelkast wordt minimum 6 uur later ingeschakeld in de meest economische modus en de economische gebruiksindicator schakelt in wanneer de functie actief is (). Houd de Eco-fuzzy knop ingedrukt gedurende 3 seconden om de Eco-fuzzy functie uit te schakelen.


Deze indicator licht op na 6 uur wanneer de Eco-fuzzy functie ingeschakeld is.

Het gebruik van het product

9. Diepvriezer temperatuurinstellingen instelknop

Druk op deze knop om de temperatuur in te stellen van het vriesvak op -18, -19, -20, -21, -22, -18... respectievelijk. Druk op deze knop om de temperatuur van het vriesvak in te stellen op de gewenste waarde. 


10. Icematic uit indicator

Geeft aan of de icematic in- of uitgeschakeld is.  Indien Ingeschakeld, wijst dit erop dat de icematic niet werkt. Om de icematic functie opnieuw in te schakelen, moet u de aan-uit knop gedurende 3 seconde ingedrukt houden.



Het waterdebiet van het waterreservoir stopt wanneer deze functie geselecteerd wordt. Hoewel, het ijs dat u eerder gemaakt hebt, kan uit de icematic worden verwijderd.

11. De snelle vriesfunctie knop/icematic aan-uit knop

Druk op deze knop om de snelle vriesfunctie in of uit te schakelen. Wanneer u de functie inschakelt, koelt het vriesvak af tot een lagere temperatuur dan de ingestelde waarde. 

Om de icematic in of uit te schakelen, houdt u hem 3 seconden ingedrukt.



Gebruik de Snelle vriesfunctie wanneer u de etenswaren in het koelvak snel wilt afkoelen. Als u grote hoeveelheden verse etenswaren wilt invriezen, schakelt u deze functie in voor u de etenswaren in het product plaatst.



Als u ze niet wilt annuleren, annuleert de Snelle vriesfunctie automatisch uit na 4 uur of wanneer het koelvak de gewenste temperatuur bereikt.



Deze functie wordt herroepen wanneer de stroom herstelt na een stroompanne.

12. Economisch gebruiksindicator

Geeft aan wanneer de koelkast in de energie-efficiënte modus werkt.  Deze indicator is actief als de temperatuur van het vriesvak ingesteld is op -18 of de energiebesparing koelfunctie wordt ingeschakeld door de eco-extra functie.



De economisch gebruiksindicator schakelt uit wanneer de snel koelen of snel vriezen functie wordt geselecteerd.

Het gebruik van het product

5.6. IJsemmer

(Optioneel)

- Verwijder de ijsemmer uit het vriesvak.
- Vul de ijsemmer met water.
- Plaats de ijsemmer in het vriesvak.

- Het ijs is klaar na ongeveer twee uur. Verwijder de ijsemmer uit het vriesvak en buig hem lichtjes over de houder die u zult opdienen. IJs kan gemakkelijk in de service houder worden gegoten.

5.7. Eihouder

U kunt de eihouder in de deur of het rek in de koelkast plaatsen. Als u hem in het rek van de koelkast plaatst, is het aanbevolen de onderste laden te gebruiken aangezien deze koeler zijn.

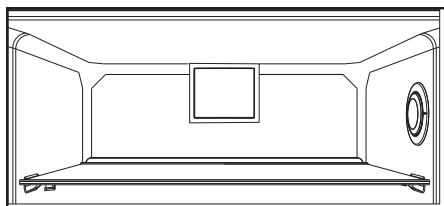


Plaats de eihouder niet in het vriesvak.

5.8. Ventilator

De ventilator is ontworpen om koude lucht te laten circuleren in uw koelkast. De werkduur van de ventilator kan variëren naargelang de functies van uw product.

Hoewel in sommige producten de ventilator slechts werkt met de compressor, bepaalt het controlesysteem in andere producten de werkduur op basis van de koelvereisten.



5.9. Groentevak

(Optioneel)

Het groentevak van de koelkast is ontworpen om groenten vers te houden door de vochtigheid te bewaren. Om die reden wordt de algemene koude luchtcirculatie verhoogd in het groentevak.

5.10. Nul-graden compartiment

(Optioneel)

Gebruik dit compartiment om delicatessen te bewaren bij lagere temperaturen of vleeswaren voor onmiddellijk gebruik.

Het nul-graden compartiment is de koelste plaats waar etenswaren zoals zuivelproducten, vlees, vis en kip kunnen worden bewaard in ideale bewaaromstandigheden. Groenten en/of fruit mogen niet worden bewaard in dit compartiment.

Het gebruik van het product

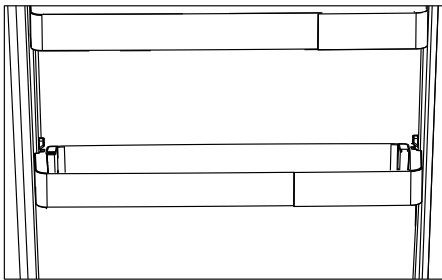
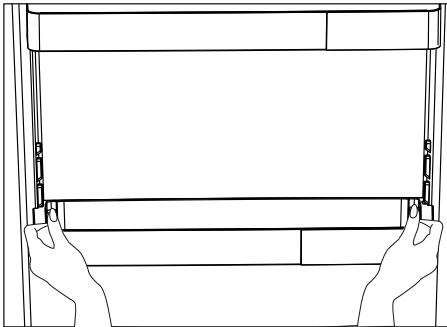
5.11. Bewegend deurrek (Optioneel)

Het bewegende deurrek kan worden bevestigd in 3 posities.

Om het rek te verplaatsen, drukt u op de knoppen aan de zijkant. Het rek is verplaatsbaar.

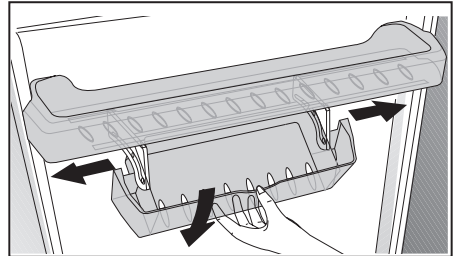
Verplaats het rek omhoog of omlaag.

Nadat u het rek in de gewenste positie hebt geplaatst, laat u de knoppen los. Het rek wordt opnieuw bevestigd in de positie waar u de knoppen hebt losgelaten.



5.12. IJsvak (Optioneel)

Dit accessoire werd ontworpen om het gebruiksvolume van het deurvak te vergroten. Dankzij het vermogen zijwaarts te schuiven, kunt u gemakkelijk een lange fles, container of doos plaatsen die u in het flessenrek had geplaatst.



Het gebruik van het product

5.13. Vochtgecontroleerd groentevak

(Optioneel)

Met de vochtigheidscontrolefunctie wordt de vochtigheidsgraad van groenten en fruit onder controle gehouden en dit garandeert langer verse etenswaren

Het is aanbevolen bladgroenten zoals sla en spinazie en gelijkaardige groenten die vocht kunnen verliezen niet op hun wortels te leggen maar zo veel mogelijk in een horizontale positie in het groentevak.

Wanneer u groenten in het vak plaatst, moet u de zware en harde groeten onderaan leggen en de lichte en zachte groenten bovenaan, rekening houdend met de specifieke gewichten van de groenten.

Laat geen groenten in het groentevak in een plastic zak. Als u ze in een plastic zak laat, kunnen ze snel bederven. In situaties waar contact met andere groenten niet wenselijk is, kunt u verpakkingsmateriaal gebruiken, zoals papier, met een zekere porositeit voor hygiënische redenen.

Plaats geen fruit die veel ethyleengas produceren zoals peren, abrikozen, perziken en in het bijzonder appels in hetzelfde groentevak met andere groenten en fruit. Het ethyleengas dat ontsnapt uit dit fruit kan ertoe leiden dat groenten en fruit sneller rijpen en bederven.

5.14. Automatische ijsmachine (Optioneel)

De automatische ijsmachine biedt u de mogelijkheid gemakkelijk ijs te maken in uw koelkast. Om ijs te maken in de ijsmachine verwijdt u het waterreservoir uit het koelvak. Vul het met water en voer het opnieuw in.

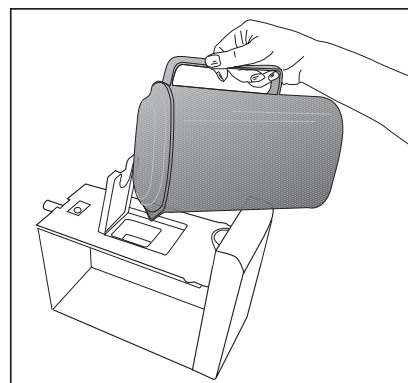
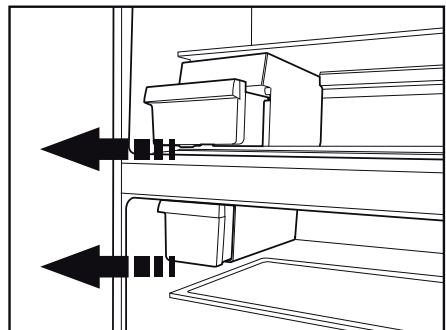
Het eerste ijs is klaar na ongeveer 2 uur in de ijsmachinelade van het koelvak.

Nadat u de volle waterreservoir hebt aangebracht, kunt u ongeveer 60-70 ijsblokjes maken tot het volledig vol is.

Als het water in het reservoir gedurende 2-3 weken blijft, moet u het vervangen.



In producten met automatisch ijsmachine is het mogelijk dat u lawaai hoort wanneer u het ijs uitgiet. Dit geluid is normaal en is geen teken van een defect.



Het gebruik van het product

5.15. Icematic en ijsvak container

***optioneel**

Gebruik de Icematic.

Vul de Icematic met water en plaats het in de zitting. Uw ijs is klaar na ongeveer twee uur. Verwijder de Icematic om ijsblokjes te nemen. Draai aan de knoppen op de ijsreservoirs 90° in wijzerzin.

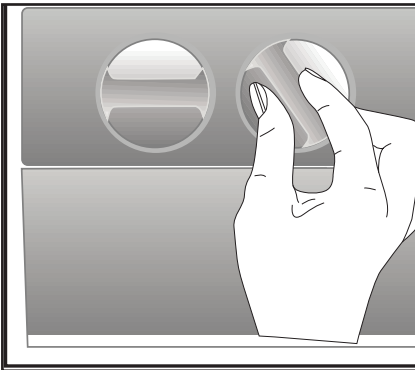
Ijsblokjes in de reservoirs vallen naar beneden in de ijsvak container.

Daarna kunt u het ijsvak verwijderen en het ijs gebruiken.

Als u wilt, kunt u de ijsblokjes in de ijsvak container bewaren.

Ijsvak container

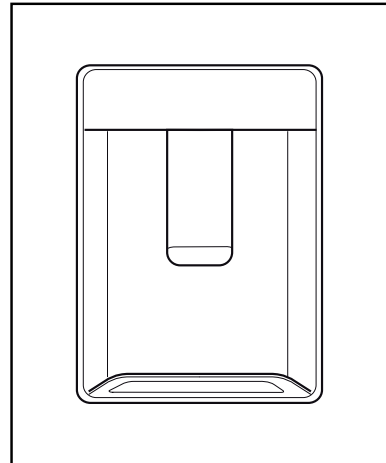
De ijsvak container is enkel bedoeld om de ijsblokjes te verzamelen. Plaats er geen water in. Zo niet kan het breken.



5.16. Waterdispenser

***optioneel**

De waterdispenser is erg bruikbaar om koud water te krijgen zonder de deur van de koelkast te openen. Omdat u minder regelmatig de koelkast open doet, spaart u energie.



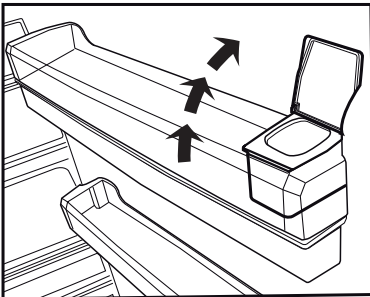
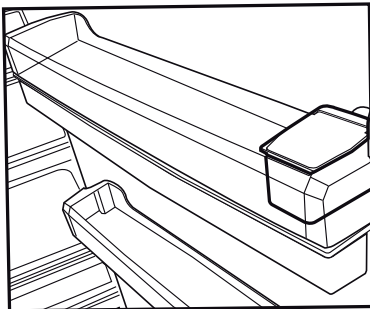
Het gebruik van het product

5.17. Gebruik van de waterdispenser

Druk met uw glas tegen de hefboom van de waterdispenser. De dispenser stopt met werken zodra u de hefboom los laat.

Wanneer u de waterdispenser bedient, kan het maximale debiet worden bekomen door de hefboom volledig in te drukken. Vergeet niet dat de debiethoeveelheid van de dispenser afhankelijk is van de mate waarin u de hefboom indrukt.

Met de stijging van het waterpeil in uw glas/container, vermindert u de druk op de hefboom om te voorkomen dat het recipiënt overloopt. Wanneer u de hefboom slechts lichtjes indrukt druppelt het water, dit is normaal en is geen storing.



5.18. Het reservoir van de waterdispenser vullen

Het waterreservoir bevindt zich aan de binnenkant van het deurrooster. U kunt de reservoirdeksel openen en vullen met drinkwater. Sluit vervolgens de deksel.

Waarsch.!

- Niet gebruiken van andere vloeistof (zoals vruchtensappen, koolzuurhoudende dranken of alcoholische dranken) dan water in het waterreservoir. Deze zijn niet geschikt voor gebruik in de waterdispenser. De waterdispenser zal onherstelbaar beschadigd raken wanneer deze vloeistoffen worden gebruikt. Als u dit doet vervalt de garantie. Sommige chemische producten en additieven die in deze dranken/vloeistoffen aanwezig zijn kunnen het waterreservoir en zijn materialen beschadigen.
- Gebruik alleen schoon drinkwater.
- De capaciteit van het waterreservoir is 3 liter. Het reservoir niet te vol vullen.
- Druk met een hard glas tegen de hefboom van de waterdispenser. Indien u plastic wegwerpbekers gebruikt, moet u de hefboom met uw vingers achter de beker indrukken.

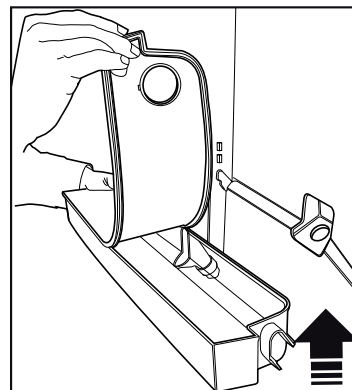
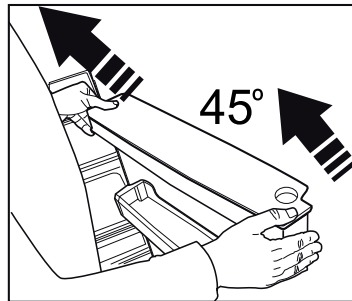
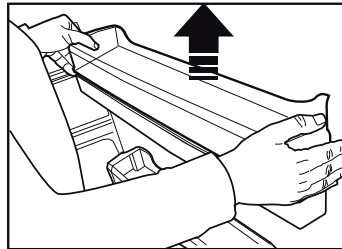
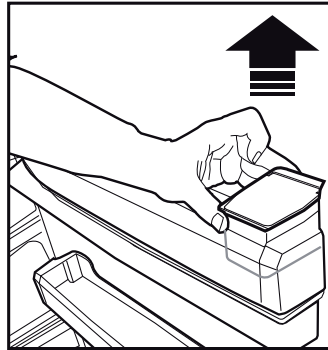
Het gebruik van het product

Reinigen van het waterreservoir

- Verwijder het waterreservoir in het deurrooster.
- Verwijder het deurrooster door dit aan beide kanten vast te houden.
- Grijp de watertank aan beide kanten vast en verwijder hem bij een hoek van 45°C.
- Reinig het waterreservoir door de deksel te verwijderen.

Belangrijk:

Componenten van de watertank en de waterdispenser mogen niet in de vaatwasser worden schoongemaakt.



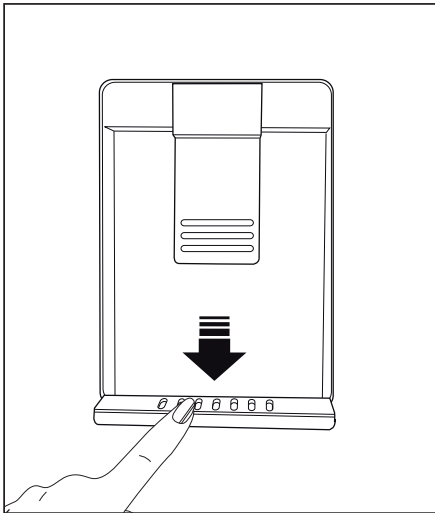
Het gebruik van het product

5.19. Waterlade

In deze druplade wordt water dat tijdens het gebruik van de waterdispenser druppelt opgevangen.

Verwijder de plastic grendel zoals weergegeven in de afbeelding.

Verwijder het water dat zich heeft opgehoopt met een schone en droge doek.



Het gebruik van het product

5.20. Verse etenswaren invriezen

- Om de kwaliteit van de etenswaren te bewaren, moeten de etenswaren die in het vriesvak worden geplaatst zo snel mogelijk worden ingevroren. Gebruik hiervoor de snel vriezen functie.
- Etenswaren invriezen wanneer ze vers zijn, verlengt de opslagduur in het vriesvak.
- Verpak de etenswaren in luchtdichte verpakkingen en sluit stevig af.
- Zorg ervoor dat de etenswaren verpakt zijn voor u ze in de diepvriezer plaatst. Gebruik diepvriezer containers, tinfoolie en vochtbestendig papier, plastic zakken of gelijkaardige verpakkingsmaterialen in de plaats van het traditionele verpakkingspapier.



Ijs in het vriesvak dooit automatisch.

- Markeer iedere verpakking met de datum voor u het invriest. Zo kunt u de versheid van iedere verpakking bepalen wanneer u de diepvriezer opent. Bewaar de oudere etenswaren vooraan zodat u ze eerst gebruikt.
- Ingevroren etenswaren moet onmiddellijk na het ontdooien worden gebruikt en mogen niet opnieuw worden ingevroren.
- Verwijder geen grote hoeveelheden in een keer uit de diepvriezer.

5.21. Aanbevelingen voor het opslaan van ingevroren etenswaren

Het compartiment moet op minimum -18°C worden ingesteld.

1. Plaats de etenswaren zo snel mogelijk in de diepvriezer om ontdooien te vermijden.
2. Voor u invriest, moet u de "Ten minste houdbaar tot" datum op de verpakking om zeker te zijn dat ze niet verstreken zijn.
3. Zorg ervoor dat de verpakking van de etenswaren niet beschadigd is.

Vriesvak temperatuurinstelling	Koelvak temperatuurinstelling	Details
-18°C	4°C	Dit is de standaard, aanbevolen instelling.
-20,-22 of -24°C	4°C	Deze instellingen worden aanbevolen bij omgevingstemperaturen van hoger dan 30°C.
Snel invriezen	4°C	Gebruik deze functie wanneer u etenswaren op korte tijd wilt invriezen. Wanneer het proces eindigt, keert het product terug naar de vorige stand.
-18°C of kouder	2°C	Gebruik deze instellingen als u vindt dat het koelvak niet koud genoeg is omwille van de omgevingstemperatuur of het regelmatig openen van de deur.

Het gebruik van het product

5.22. Informatie over de diepvriezer

Conform de IEC 62552 normen moet de diepvriezer 4,5 kg etenswaren kunnen invriezen bij -18°C of lagere temperaturen in 24 uur voor iedere 100 liter vriesvak volume. Etenswaren kunnen enkel gedurende langere perioden worden bewaard bij een temperatuur van -18°C of lager.

U kunt etenswaren maanden lang vers houden (in de diepvriezer bij een temperatuur van 18°C of lager).

De in te vriezen etenswaren mogen niet in contact komen met reeds ingevroren etenswaren om gedeeltelijk ontdooien te vermijden.

Kook de groenten en filter het water om de ingevroren bewaartijd te verlengen. Plaats de etenswaren in luchtdichte verpakkingen na het filteren en plaats ze in het vriesvak. Bananen, tomaten, sla, selderie, gekookte eieren, aardappelen en gelijkaardige etenswaren mogen nooit worden ingevroren. Als de etenswaren bederven, worden enkel de voedingswaarden en de kwaliteit negatief beïnvloed. Bederving die de gezondheid in gevaar brengt is niet aan de orde.

5.23. De etenswaren plaatsen

Diepvriezer deurvakken	Uiteenlopende ingevroren etenswaren zoals vlees, vis, ijscrème, groenten, etc.
Koelvak deurvakken	Etenswaren in potten, afgedekte platen en containers, eieren (in een afgedekte container)
Koelvak deurvakken	Kleine en verpakte etenswaren of dranken
Groentevak	Fruit en groenten
Verse etenswaren compartiment	Delicatessen (ontbijt etenswaren, vleesproducten die op korte termijn worden gebruikt)

5.24. Deur open alarm

(Optioneel)

Een hoorbaar alarm weerklinkt als de deur van het product langer dan 1 minuut open blijft. Het hoorbare alarm stopt wanneer de deur wordt gesloten of wanneer een knop op het scherm (indien beschikbaar) wordt ingedrukt. Het deur open alarm wordt aangegeven aan de gebruiker met een hoorbaar en zichtbaar signaal. De interne verlichting schakelt uit als de waarschuwing 10 minuten aanhoudt.

5.25. De openingsrichting van de deur wijzigen.

U kunt de openingsrichting van de deur van uw koelkast omkeren naargelang de locatie waar u ze wilt gebruiken. Raadpleeg hiervoor uw dichtstbijzijnde Geautoriseerde service.

De bovenstaande verklaring is een algemene verklaring. U moet de waarschuwing op de binnenzijde van de verpakking van het pakket controleren met betrekking tot de omkering van de deur.

5.26. Interne verlichting

De interne verlichting gebruikt een LED-type lamp. Neem contact op met de geautoriseerde dienst als er problemen zijn met deze lamp. De lamp(en) in dit apparaat mogen niet worden gebruikt voor de verlichting van uw huis. Het beoogde gebruik van deze lamp is de gebruiker te helpen etenswaren veilig en comfortabel in de koelkast/diepvriezer te plaatsen.

6 Onderhoud en reiniging

De levensduur van het product verhoogt als het regelmatig wordt gereinigd.



WAARSCHUWING: Verwijder eerst de stekker uit het stopcontact voor u uw koelkast reinigt.

- Gebruik nooit scherpe of schurende middelen, zeep, huishoudelijke reinigingsproducten, oplosmiddelen en was om het product te reinigen.
- Los een theelepel koolzuurzout op in een halve liter water. Giet de oplossing op een doek en wring de doek grondig uit. Wrijf de binnenzijde van het apparaat met deze doek en droog grondig.
- Zorg ervoor dat er geen water in de lampbehuizing en andere elektrische items binnendringt.
- Reinig de deur met deur met een vochtige doek. Verwijder alle inhoud voor u de deur en laden verwijdert. Verwijder de deurladen door ze omhoog te tillen. Na de reiniging, schuift u ze van boven naar onder om ze te installeren.
- Gebruik nooit reinigingsmiddelen of water met chloor om de externe oppervlakken en verchroomde onderdelen van het product te reinigen. Chloor veroorzaakt corrosie op dergelijke metalen oppervlakken.
- Gebruik geen scherp schurend gereedschap, zeep, huishoudelijke reinigingsmiddelen, oplosmiddelen, kerosine, brandstofolie, vernis, etc. om te voorkomen dat de afdruk op het plastic deel zou verwijderd worden of loskomen. Gebruik lauw water en een zachte doek om het te reinigen en wrijf droog.

6.1. Onaangename geurtjes vermijden.

Materiaal dat geurtjes kan veroorzaken, worden niet gebruikt tijdens de productie van onze apparaten. Hoewel, omwille van slechte bewaaromstandigheden van etenswaren en het niet reinigen van het interne oppervlak van het apparaat zoals vereist, kan geurproblemen veroorzaken.

Om die reden moet u de koelkast reinigen met koolzuurzout opgelost in water elke 15 dagen.

- Bewaar de etenswaren in gesloten containers. Micro-organismen verspreiden zich uit onbedekte containers kan onaangename geurtjes veroorzaken.
- Bewaar nooit etenswaren met "tenminste houdbaar tot" data die verstreken zijn of bedorven etenswaren in de koelkast.

6.2. Plastic oppervlakten beschermen

Reinig onmiddellijk met warm water omdat de olie schade kan veroorzaken op het oppervlak als het op plastic oppervlakken wordt gegoten.

6.3. Glas in de deur

Verwijder de beschermende laag van het glas.

Er is een laag aangebracht op het oppervlak van het glas. Deze laag minimaliseert de opbouw van vlekken en helpt mogelijke vlekken en vuil gemakkelijk te verwijderen.

Glas dat niet beschermd wordt met een dergelijke laag kan onderworpen worden aan hardnekkige verbindingen van lucht- of watergebaseerd organisch of anorganisch vuil zoals ketelsteen, onverbrande waterkoolstoffen, metaaloxiden en siliconen die gemakkelijk en snel vlekken of materiële schade kan veroorzaken. Het glas schoon houden wordt te moeilijk ondanks regelmatige reiniging. Als resultaat gaat het uiterlijk en de doorzichtigheid van het glas achteruit. Harde en corrosieve reinigingsmethoden en samenstellingen versterken deze defecten en versnellen de achteruitgang. Watergebaseerde reinigingsproducten die niet alkalisch en corrosief zijn, moeten worden gebruikt voor regelmatige reinigingsprocessen.

Niet-alkalische en niet corrosieve materialen moeten worden gebruikt voor de reiniging zodat de levensduur van deze laag zo lang mogelijk duurt.

Dit glas is getemperd om de duurzaamheid en bestendigheid tegen impact en breken te verhogen.

Er is ook een beschermende laag aangebracht op de achterzijde als een extra veiligheidsmaatregel om schade aan de omgeving te voorkomen in het geval van breken.

*Alkali is een base die hydroxide-ionen (OH⁻) vormt wanneer het oplost in water.

Li (Lithium), Na (Natrium), K (Kalium) Rb (Rubidium), Cs (Cesium) en kunstmatige en radioactieve Fr (Francium) metalen worden ALKALIMETALEN genoemd.

Controleer deze lijst voor u contact opneemt met de dienst. Dit kan u tijd en geld besparen. Deze lijst omvat regelmatig voorkomende klachten die niet het resultaat zijn van gebrekkig vakmanschap of materiaal. Sommige functies die hier worden vermeld zijn mogelijk niet van toepassing op uw product.

De koelkast werkt niet.

- De stekker is niet volledig ingevoerd. >>> Voer de stekker volledig in het stopcontact.
- De zekering verbonden met de aansluiting die het product van stroom voorziet of de hoofdzekering is gesprongen. >>> Controleer de zekeringen.

Condensatie op de zijwand van het koelvak (MULTI ZONE, COOL, CONTROL en FLEXI ZONE).

- De deur werd te vaak geopend >>> Zorg ervoor de deur van het product niet te vaak wordt geopend.
- De omgeving is te vochtig. >>> Installeer het product niet in vochtige omgevingen.
- Etenswaaren met vloeistoffen worden bewaard in niet afgedekte containers. >>> Bewaar de etenswaren die vloeistof bevatten in afgedekte containers.
- De deur van het product werd open gelaten. >>> Houd de deur van het product niet te lang open.
- De thermostaat is ingesteld op een te lage temperatuur. >>> Stel de thermostaat in op de gewenste temperatuur.

De compressor werkt niet.

- In het geval van een plotse stroompanne of als het netsnoer wordt verwijderd en opnieuw ingevoerd, is de gasdruk in het koelproduct van het product niet in evenwicht en dit schakelt de thermische beveiliging van de compressor in. Het product start opnieuw op na circa 6 minuten. Als het product na deze periode niet opnieuw start, moet u contact opnemen met de dienst.
- De ontdoofunctie is actief. >>> Dit is normaal voor een volledig automatisch ontdooiend product. Het ontdoeien wordt periodiek uitgevoerd.
- De stekker van het product zit niet in het stopcontact. >>> Zorg ervoor dat de stekker in het stopcontact zit.
- De temperatuurstelling is incorrect. >>> Selecteer de correcte temperatuurstelling.
- De stroom is uitgeschakeld. >>> Het product blijft normaal werken zodra de stroom opnieuw wordt ingeschakeld.

Het operationele lawaai van de koelkast wordt erger als ze in gebruik is.

- De operationele prestaties van het product kunnen variëren naargelang de wisselingen in de omgevingstemperatuur. Dit is normaal en houdt geen defect in.

De koelkast schakelt te vaak in of schakelt te lang in.

Probleemoplossing

- Het nieuwe product kan groter zijn dan het vorige. Grotere producten werken gedurende langere perioden.
- De temperatuur in de ruimte kan hoog zijn. >>> Het product zal normaal werken gedurende lange perioden bij hogere kamertemperaturen.
- Het is mogelijk dat de stekker van het product recent in het stopcontact werd gevoerd of dat nieuwe etenswaren in het product werden geplaatst. >>> Het duurt langer voor het product om de ingestelde temperatuur te bereiken als het recent in het stopcontact werd gestoken of als er nieuwe etenswaren in het product werden geplaatst. Dit is normaal.
- Het is mogelijk dat er recent grote hoeveelheden warme etenswaren in het product werden geplaatst. >>> Plaats geen warme etenswaren in het product.
- De deuren werden vaak geopend of open gehouden voor lange perioden. >>> De warm lucht die in het product circuleert, zal ervoor zorgen dat het product langer moet werken. Open de deur niet te vaak.
- De deur van de diepvriezer of het koelvak kan op een kier staan. >>> Controleer of de deur volledig gesloten is.
- Het product kan ingesteld zijn op een te lage temperatuur. >>> Stel de temperatuur hoger in en wacht tot het product de ingestelde temperatuur bereikt.
- De sluitring van de koelvak of vriesvak deur kan vuil zijn, versleten of stuk zijn of incorrect aangebracht. >>> Reinig of vervang de sluitring. Een beschadigde / versleten deur sluitring kan er toe leiden dat het product langere perioden werkt om de huidige temperatuur te handhaven.

De temperatuur in het vriesvak is uiterst laag maar de temperatuur in het koelvak is geschikt.

- De temperatuur in het vriesvak is bijzonder laag ingesteld. >>> Stel de temperatuur van het vriesvak in op een hogere temperatuur en controleer opnieuw.

De temperatuur in het vriesvak is uiterst laag maar de temperatuur in het koelvak is geschikt.

- De temperatuur in het koelvak is bijzonder laag ingesteld. >>> Stel de temperatuur van het vriesvak in op een hogere temperatuur en controleer opnieuw.

De etenswaren in de laden van het koelvak zijn bevroren.

- De temperatuur in het koelvak is bijzonder laag ingesteld. >>> Stel de temperatuur van het vriesvak in op een hogere temperatuur en controleer opnieuw.

De temperatuur in het koelvak of de diepvriezer is te hoog.

- De temperatuur in het koelvak is bijzonder hoog ingesteld. >>> Temperatuurinstellingen van het koelvak heeft een invloed op de temperatuur in het vriesvak. Wacht tot de temperatuur van de relevante onderdelen het correcte niveau bereikt door de temperatuur van het koel- en vriesvak te wijzigen.
- De deuren werden vaak geopend of open gehouden voor lange perioden. >>> Open de deur niet te vaak.
- De deur mag niet op een kier staan. >>> Sluit de deur volledig.
- Het is mogelijk dat de stekker van het product recent in het stopcontact werd gevoerd of dat nieuwe etenswaren in het product werden geplaatst. >>> Dit is normaal. Het duurt langer voor het product om de ingestelde temperatuur te bereiken als het recent in het stopcontact werd gestoken of als er nieuwe etenswaren in het product werden geplaatst.
- Het is mogelijk dat er recent grote hoeveelheden warme etenswaren in het product werden geplaatst. >>> Plaats geen warme etenswaren in het product.

Schudden of lawaai.

Probleemoplossing

- De grond is niet horizontaal of duurzaam. >>> Als het product schudt wanneer het langzaam wordt verplaatst, moet u de voetjes instellen om het product in evenwicht te brengen. Zorg er ook voor dat de vloer voldoende duurzaam is om het product te kunnen dragen.
- Alle voorwerpen die op het product zijn geplaatst, kunnen lawaai veroorzaken. >>> Verwijder alle voorwerpen die op het product werden geplaatst.

Het product maakt lawaai van stromende vloeistof, sprays, etc.

- De operationele principes van het product omvatten vloeistoffen en gassen. >>> Dit is normaal en houdt geen defect in.

Er komt een windgeluid voort uit het product.

- Het product gebruikt een ventilator voor de koelprocedure. Dit is normaal en houdt geen defect in.

Er is condensatie op de interne wanden van het product.

- Warme of vochtige weersomstandigheden verhogen ijsvorming en condensatie. Dit is normaal en houdt geen defect in.
- De deuren werden vaak geopend of open gehouden voor lange perioden. >>> U mag de deur niet te vaak openen; als ze open staat, moet u de deur sluiten.
- De deur mag niet op een kier staan. >>> Sluit de deur volledig.

Er is condensatie aanwezig op de buitenzijde van het product of tussen de deuren.

- Het weer kan vochtig zijn. Dit is normaal in vochtige weersomstandigheden. >>> De condensatie zal verdwijnen naarmate de vochtigheidsgraad daalt.

De binnenzijde ruikt slecht.

- Het product wordt niet regelmatig gereinigd. >>> Maak de binnenzijde regelmatig schoon met een spons, warm water en koolzuurhoudend water.
- Sommige containers en verpakkingsmateriaal kunnen geurtjes afgeven. >>> Gebruik de containers en het verpakkingsmateriaal zonder geurtjes.
- De etenswaren werden in niet afgedekte containers geplaatst. >>> Bewaar de etenswaren in afgedekte containers. Micro-organismen kunnen zich verspreiden uit niet afgedekte etenswaren en onaangename geurtjes veroorzaken. Verwijder alle verstreken of bedorven etenswaren uit het product.

De deur sluit niet.

- De verpakkingen van etenswaren mogen de deur niet blokkeren. >>> Verplaats alle voorwerpen die de deur blokkeren.
- Het product staat niet recht op de vloer. >>> Pas de voetjes aan om het product in evenwicht te brengen.
- De grond is niet horizontaal of duurzaam. >>> Zorg ervoor dat de vloer horizontaal is en voldoende duurzaam om het product te kunnen dragen.

Het groentevak is geblokkeerd.

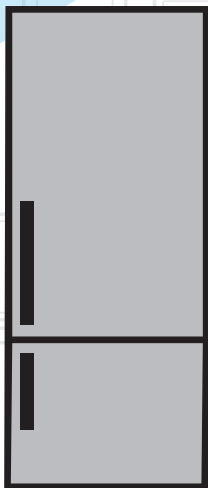
- De etenswaren kunnen in contact komen met de bovenste sectie van de lade. >>> Herschik de etenswaren in de lade.



WAARSCHUWING: Als het probleem aanhoudt nadat u de instructies in deze sectie hebt gevolgd, kunt u contact opnemen met uw verkoper of een Geautoriseerde Dienst. Probeer het product niet te repareren.

Hladilnik

Navodila za uporabo



SLI

beko

Spoštovani kupec.

Privoščimo vam, da dosežete optimalno učinkovitost našega izdelka, ki je bil proizveden v sodobni tovarni z natančnim nadzorom kakovosti.

V ta namen prosimo, da v celoti preberete navodila, preden pričnete z uporabo izdelka in naj vas vodijo kot referenčni vir. Če boste ta izdelek predali drugi osebi, poskrbite da gredo ta navodila skupaj z izdelkom.

Navodila za uporabo zagotovijo hitro in varno uporabo izdelka.

- Prosimo preberite navodila pred namestitvijo in uporabo izdelka.
- Vedno upoštevajte veljavne varnostne napotke.
- Hranite navodila v bližini za prihodnjo uporabo.
- Prosimo, da preberete vse druge dokumente, ki so prišli z izdelkom.

Imejte v mislih, da lahko ta navodila veljajo za več modelov izdelka. Ta vodič jasno prikaže razlike med različnimi modeli.

Simboli in opombe

V priročniku so uporabljeni naslednji simboli:

	Pomembne informacije in koristni nasveti.
	Tveganje za življenje in premoženje.
	Nevarnost električnega udara.
	Embalaža izdelka je izdelana iz recikliranih materialov, v skladu z nacionalno okoljsko zakonodajo.

1	Varnost in okoljska navodila	3	5	Uporaba izdelka	13
1.1.	Splošna varnost	3	5.1.	Gumb za nastavitev temperature	13
1.1.1	HC opozorilo	5	5.2.	Hitro zamrzovanje	13
1.1.2	Pri modelih z vodno fontano	5	5.3.	Funkcija za počitnice	14
1.2.	Predvidena uporaba	6	5.4.	Ploščad s kazalniki	15
1.3.	Varnost otrok	6	5.5.	Indikatorska tabla	17
1.4.	Skladnost z Direktivo OEEQ in odstranjevanje naprave kot odpadka	6	5.6.	Vedro za led	20
1.5.	Skladnost z direktivo RoHS	6	5.7.	Nosilec za jajca	20
1.6.	Informacije o embalaži	6	5.8.	Ventilator	20
			5.9.	Posoda za zelenjavo	20
			5.10.	Zamrzovalni predel	20
2	Hladilnik	7	5.11.	Premikajoča vratna polica	21
			5.12.	Drseče škatle za shrambo	21
3	Namestitev	8	5.13.	Posoda za zelenjavo z uravnavanjem vlage	22
3.1.	Ustrezno mesto za namestitev	8	5.14.	Samodejna naprava za led	22
3.2.	Pritrnitev plastičnih klinov	8	5.15.	Ledomat in posoda za shranjevanje ledu	23
3.3.	Prilagoditev stojal	8	5.16.	Točaj vode	23
3.4.	Električna povezava	9	5.17.	Uporaba vodne pipe	23
3.5.	Obračanje vrat	10	5.18.	Čiščenje posode za vodo	24
3.6.	Obračanje vrat	11	5.19.	Pladenj za vodo	25
			5.20.	Zamrzovanje svežih živil	26
4	Priprava	12	5.21.	Priporočila za shranjevanje zamrznjenih živil	26
4.1.	Kako prihraniti z energijo	12	5.22.	Podrobnosti globokega zamrzovanja	27
4.2.	Prva uporaba	12	5.23.	Postavitev živil	27
			5.24.	Opozorilo za odprta vrata	27
			5.25.	Spreminjanje smeri odpiranja vrat	27
			5.26.	Notranja luč	27
			6	Vzdrževanje in čiščenje	28
			6.1.	Izogibanje neprijetnim vonjavam	28
			6.2.	Zaščita plastičnih površin	28
			6.3.	Steklo vrat	28
			7	Odpravljanje motenj	29

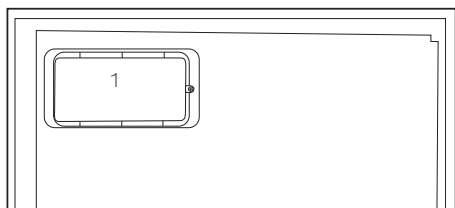
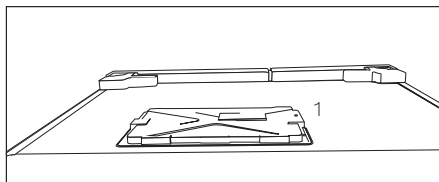
1 Varnost in okoljska navodila

To poglavje vsebuje navodila za varno uporabo, potrebna za preprečitev nevarnosti poškodb in materialne škode. Neupoštevanje teh navodil bo izničilo vse vrste garancije izdelka.

1.1. Splošna varnost

- Ta izdelek naj ne uporabljajo otroci in osebe s telesnimi, čutnimi in duševnimi motnjami brez zadostnega znanja in izkušenj. Napravo smejo uporabljati takšne osebe le pod nadzorom in po navodilih osebe, odgovorne za njihovo varnost. Otroci se ne smejo igrati s to napravo.
- V primeru okvare, izklopite napravo.
- Ko odklopite, počakajte najmanj 5 minut pred ponovnim priklopom. Izključite napravo, ko ni v uporabi. Ne dotikajte se vtiča z mokrimi rokami! Ko želite izklopiti ne vlecite za kabel, vedno držite le za vtič.
- Obrišite konico omrežnega vtiča s suho krpo, preden ga priklopite v vtičnico.
- Ne priklaplajte hladilnika, če je vtičnica razrahljana.
- Izključite napravo med namestitvijo, vzdrževanjem, čiščenjem in popravilom.
- Če naprave nekaj časa ne boste uporabljali, jo izključite in iz notranjosti odstranite vso hrano.
- Ne uporabljajte pare ali parnih čistilnih sredstev za notranje čiščenje hladilnika in taljenje ledu. Para lahko pride v stik z električnimi elementi in povzroči kratek stik ali električni udar!
- Izdelka tudi zunaj ne perite z razprševanjem ali polivanjem vode! Nevarnost električnega udara!
- Izdelka ne uporabljajte, če je področje na vrhu ali na zadnji strani izdelka, ki vsebuje elektronska tiskana vezja, odprto (pokrov elektronskega tiskanega vezja) (1).

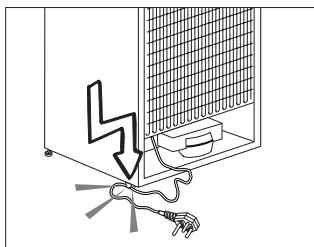
Varnostna in okoljska navodila



- V primeru okvare ne uporabljajte naprave, saj lahko to povzroči električni udar. Preden karkoli poskušate se obrnite na pooblaščenega serviserja.
- Napravo priključite v ozemljeno vtičnico. Ozemljitev mora izvesti usposobljen električar.
- Če ima naprava razsvetljavo vrste LED, se obrnite na pooblaščenega servisa zaradi zamenjave ali v primeru kakršnih koli težav.
- Ne dotikajte se zmrznjene hrane z mokrimi rokami! Lahko se prilepi vašim rokam!
- Ne postavljajte tekočin v steklenicah, plastenkah in pločevinkah v zamrzovalnik. Lahko počijo ali pa tekočina izbruhne!
- Postavite tekočine v pokončnem položaju, ko tesno zaprete pokrov.
- Ne pršite vnetljivih snovi v bližini naprave, saj lahko to povzroči požar ali eksplozijo.
- Ne hranite vnetljivih materialov in izdelkov z vnetljivimi plini (razpršilci itd) v hladilniku.
- Ne postavljajte posod v katerih so tekočine na vrh naprave. Politje vode po elektrificiranih delih lahko povzroči električni udar in nevarnost požara.
- Izpostavljanje naprave dežju, snegu, soncu in vetru povzroči električno nevarnost. Ko prestavljate napravo, jo ne vlecite tako, da držite za ročaj vrat. Ročaj se lahko odtrga.

Varnostna in okoljska navodila

- Bodite pozorni, da preprečite ukleščenje katerikoli delov vaših rok ali telesa v katerega od gibljivih delov naprave.
- Ne stopajte ali se obešajte na vrata, predale in podobne dele hladilnika. To bi povzročilo, da se naprava prevrne in se deli poškodujejo.
- Pazite, da ne zapnete v napajalni kabel.



1.1.1 HC opozorilo

Če naprava vsebuje hladilni sistem, ki uporablja plin R600a, pazite, da ne bi poškodovali hladilni sistem in njegovo cev med uporabo in premikanjem naprave. Ta plin je vnetljiv. Če je hladilni sistem poškodovan, imejte napravo stran od virov ognja in takoj prezračite prostor.



Nalepka na notranji levi strani označuje vrsto uporabljenega plina v napravi.

1.1.2 Pri modelih z vodno fontano

- Tlak vstopne hladne vode ne sme presegati 6,2 bar (90 psi). Če tlak vstopne vode presega 5,5 bar (80 psi), uporabite ventil za omejevanje tlaka v vodovodnem tokokrogu. Če ne veste, kako izmeriti vodni tlak, poprosite inštalaterja za vodovod.
- Če je v vaši inštalaciji prisotno tveganje nastanka hidravličnega udara, vedno uporabite opremo za preprečevanje hidravličnega udara. Da preverite, da v vaši inštalaciji ni tveganja za pojav hidravličnega udara, se posvetujte z inštalaterjem za vodovod.
- Ne nameščajte na vod s toplo vodo. Izvedite potrebne ukrepe za preprečevanje zamrznitve cevi. Območje temperature vode za

Varnostna in okoljska navodila

delovanje naj bo med najmanj 0,6°C (33°F) in največ 38°C (100°F).

- Uporabljajte samo pitno vodo.

1.2. Predvidena uporaba

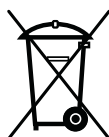
- Ta naprava je namenjena za domačo uporabo. Ni namenjena za komercialno uporabo.
- To napravo se sme uporabiti samo za shranjevanje hrane in pijače.
- Ne hranite v hladilniku občutljive izdelke, ki zahtevajo nadzorovane temperature (cepiva, toplotno občutljiva zdravila, medicinski izdelki itd).
- Proizvajalec ne prevzema odgovornosti za morebitno škodo zaradi zlorabe ali napačne uporabe.
- Življenjska doba naprave je 10 let. Rezervni deli, potrebni za delovanje naprave bodo v tem obdobju na voljo.

1.3. Varnost otrok

- Hranite embalažne materiale izven dosega otrok.
- Ne dovolite, da bi se otroci igrali z napravo.
- Če vrata naprave vsebujejo ključavnico, hranite ključ izven dosega otrok.

1.4. Skladnost z Direktivo OEEO in odstranjevanje naprave kot odpadka

Ta naprava je skladna z direktivo EU WEEE (2012/19/EU). Ta naprava nosi oznako klasifikacije za odpadno električno in elektronsko opremo (OEEO).



Naprava je bila izdelana iz visoko kakovostnih delov in materialov, ki jih je mogoče ponovno uporabiti in so primerni za recikliranje. Ne zavržite naprave kot odpadke med običajne domače in druge odpadke na koncu njegove

življenjske dobe. Odnosite jo v zbirni center za recikliranje električne in elektronske opreme. Obrnite se na lokalne oblasti, da izveste za lokacije teh zbirnih centrov.

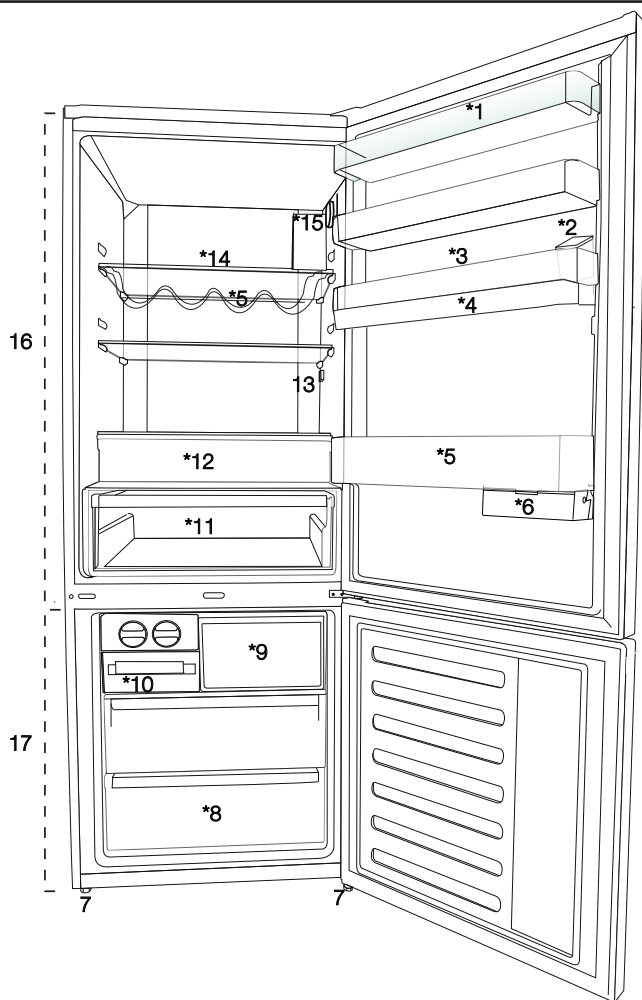
1.5. Skladnost z direktivo RoHS

- Ta naprava je skladna z direktivo EU WEEE (2011/65/EU). Ne vsebuje škodljivih in prepovedanih snovi, navedenih v direktivi.

1.6. Informacije o embalaži

- Embalaža naprave je izdelana iz recikliranih materialov v skladu z našimi nacionalnimi predpisi za okolje. Ne odlagajte embalažnih materialov skupaj z domačimi ali drugimi odpadki. Peljite jih v zbirne centre za embalažo, ki so jih lokalne oblasti pooblastile.

2 Hladilnik



1. Polica na vratih hladilnega dela
2. Posoda za polnjenje točaja vode
3. Pladenj za jajca
4. Rezervoar točaja vode
5. Polica za steklenice
6. Drseče škatle za shrambo
7. Nastavljive noge
8. Predel za globoko zamrzovanje
9. Predel za hitro zamrzovanje
10. Pladenj za kocke ledu & posoda za led
11. Posoda za zelenjavo
12. Zamrzovalni predel
13. Notranja luč
14. Steklena polica predela hladilnika
15. Gumb za nastavev temperature
16. Predel hladilnika
17. Zamrzovalni del



***izbirno:** Slike v tem priročniku so podate kot primer in morda niso popolnoma enako kot izdelek. Če vaš izdelek ne vključuje ustreznih delov, se podatki nanašajo na druge modele.

3.1. Ustrezno mesto za namestitev

Za namestitev izdelka se obrnite na pooblaščen servis. Če želite pripraviti izdelek na namestitev, glejte informacije v uporabniškem priročniku in se prepričajte, da so električne in vodovodne storitve ustrezne. Če ne, pokličite električarja in vodovodarja, da uredita potrebne napeljave.



OPOZORILO: Proizvajalec ne prevzema odgovornosti za škodo, ki je posledica del, ki so jih izvedle nepooblaščen osebe.



OPOZORILO: Med nameščanjem mora biti napajalni kabel izdelka izključen. Neupoštevanje tega lahko povzroči smrt ali resne poškodbe!



OPOZORILO: Če je razpon vrat preozek za hrano, odstranite vrata in obrnite izdelek na stran; če to ne deluje, se obrnite na pooblaščen servis.

- Izdelek postavite na ravno površino, da ne pride do vibracij.
- Izdelek morate namestiti vsaj 30 cm od grelnika, štedilnika in podobnih virov toplote in vsaj 5 cm od električnih pečice.
- Izdelka ne postavljajte pod neposredno sončno svetlobo in v vlažna okolja.
- Izdelek za učinkovito delovanje rabi zadostno kroženje zraka.
- Če bo izdelek nameščen v nišo, ne pozabite, da pustite razdaljo vsaj 5 cm med izdelkom in stropom ter stenami.
- Naprave ne nameščajte v okoljih s temperaturo nižjo od -5°C .

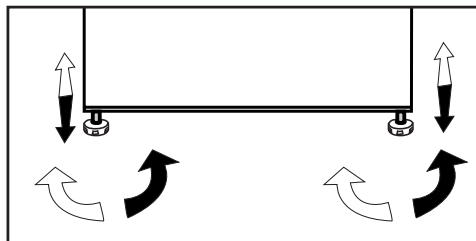
3.2. Pritrditev plastičnih klinov

Uporabite plastične klinove, ki so priloženi izdelku, da omogočite dovolj prostora za kroženje zraka med izdelkom in steno.




1. Za pritrditev klinov odstranite vijake na izdelku in uporabite vijake, ki so dobavljeni skupaj s klini.
2. Pritrdite 2 plastična klina na pokrov prezračevanja, kot prikazuje slika.

3.3. Prilagoditev stojal

Če izdelek ni uravnotežen, prilagodite nastavljiva stojala z obračanjem v desno ali levo.



3.4. Električna povezava

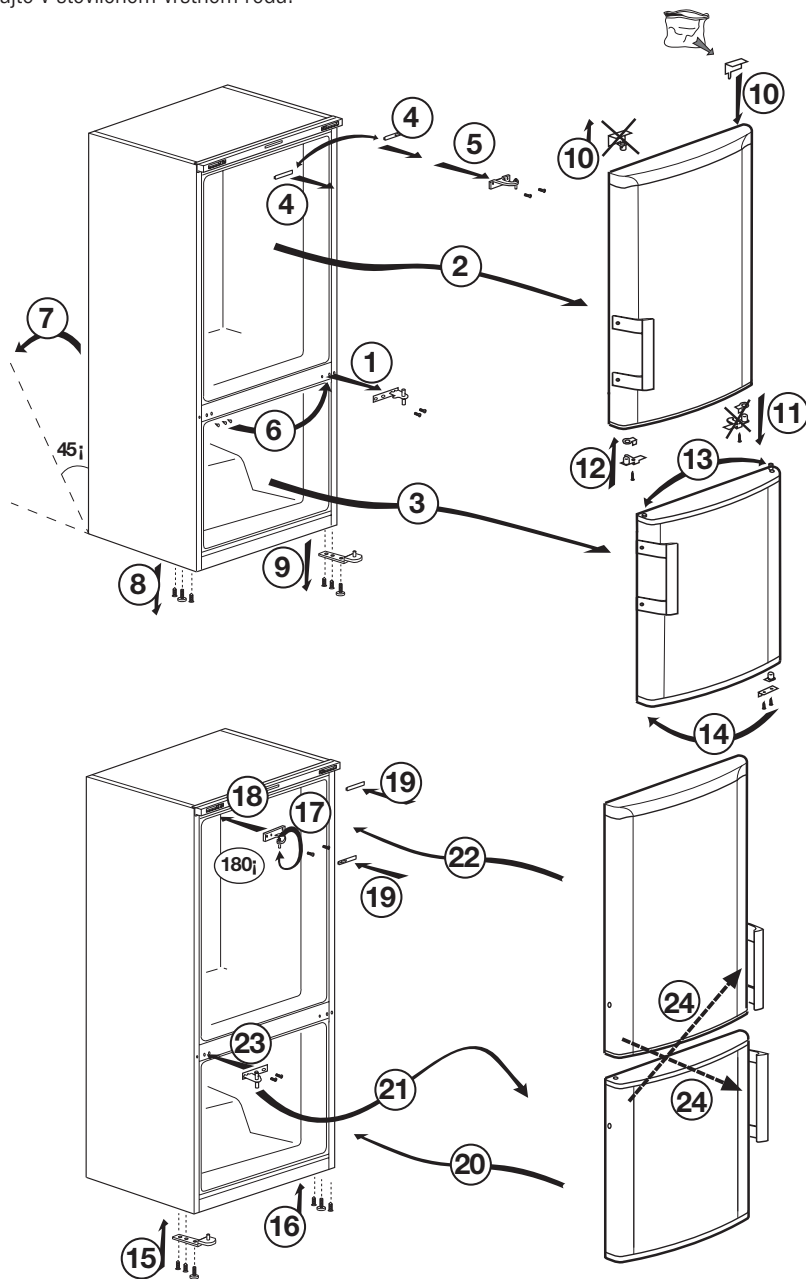
	OPOZORILO: Pri električni povezavi ne uporabljajte podaljškov ali več vtičnic.
	OPOZORILO: Poškodovan napajalni kabel lahko zamenja le pooblaščen servis.
	Če hladilnik postavite ob drug hladilnik, naj bo razdalja med njima vsaj 4 cm.

- Naše podjetje ne prevzema odgovornosti za škodo, ki nastane zaradi uporabe ozemljitve in električne povezave, ki ni v skladu z državnimi predpisi.
- Vtič napajalnega kabla naj bo po namestitvi lahko dostopen.
- Hladilnik priključite na ozemljeno vtičnico z napetostjo 220-240V/50 Hz. Vtič mora vključevati varovalko 10-16 A.
- Med vtičnico in hladilnikom ne uporabljajte več vtičev z ali brez podaljška.

Namestitev

3.5. Obračanje vrat

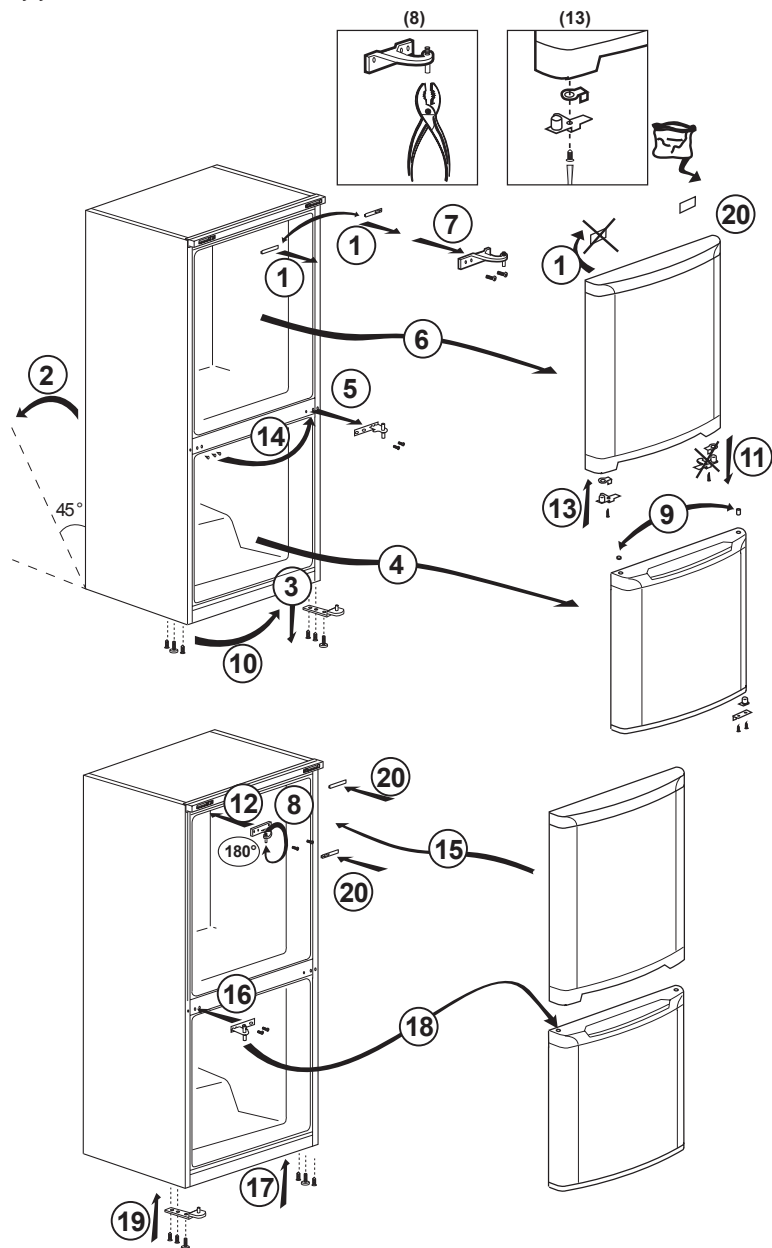
Nadaljujte v številčnem vrstnem redu.



Namestitev

3.6. Obračanje vrat

Nadaljujte v številčnem vrstnem redu.

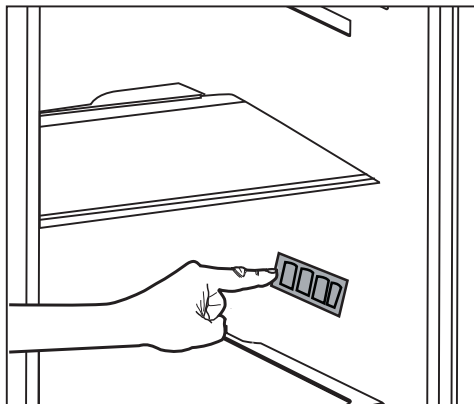


4.1. Kako prihraniti z energijo



Priključitev naprave na sisteme varčevanja električne energije je nevarno, saj lahko poškodujejo napravo.

- Ne puščajte vrat hladilnika odprtih dlje časa.
- V napravo ne nalagajte vročih živil in pijač.
- Ne naložite v hladilnik preveč stvari; z blokiranjem notranjega pretoka zraka zmanjšate učinkovitost hlajenja.
- Da bi v hladilni predel vašega hladilnika shranili čim večjo količino hrane, odstranite zgornje police in jo položite na stekleno polico. Označena poraba energije vašega hladilnika je bila določena z odstranjenim hladilnikom, pladnjem za led in zgornjimi predali, da bi omogočili največjo zmogljivost shranjevanja. Močno priporočamo uporabo spodnje police za shranjevanje. Za najboljšo porabo energije je treba vklopiti funkcijo za varčevanje z energijo.
- Hrane ne postavljajte pred ventilator hladilnika, saj tako blokirate pretok zraka. Hrano položite vsaj 3 cm od zaščitne žice ventilatorja.
- Glede na lastnosti izdelka; z odtajanjem zamrznjene hrane v predelu hladilnika boste zagotovili varčevanje z energijo in ohranili kakovost živil.
- Hrano shranite z uporabo polic v predelu hladilnika, da zagotovite varčevanje z energijo in ohranite živila v boljšem stanju.
- Paketi hrane ne smejo biti v neposrednem stiku s senzorji toplote, ki se nahajajo v predelu hladilnika. Če so v stiku s senzorji, se lahko poraba energije naprave poveča.
- Pazite, da živila niso v stiku s senzorjem temperature predela hladilnika, kot je opisano spodaj.



4.2. Prva uporaba

Pred prvo uporabo hladilnika, poskrbite, da so vse priprave izvedene v skladu z navodili v razdelkih »Varnostna in okoljska navodila« in »Namestitev«.

- Naj izdelek deluje brez hrane 6 ur in ne odpirajte vrata, razen če je res nujno potrebno.



Ko kompresor prične delovati, boste zaslišali zvok. Zvoki so povsem običajni, tudi ko kompresor ne deluje, zaradi stisnjenih tekočin in plinov v hladilnem sistemu.



Sprednji robovi izdelka se lahko segrejejo. To je običajno. Ti predeli so oblikovani, da se segrejejo in preprečijo kondenzacijo.



Pri nekaterih modelih se indikatorska tabla samodejno izklopi 5 minut po tem, ko zaprete vrata. Aktivirala se bo, ko se vrata odprejo ali pritisnete kateri koli gumb.

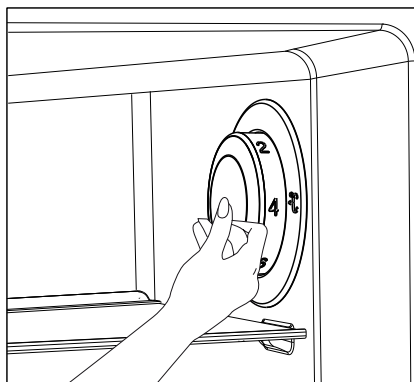
5.1. Gumb za nastavitev temperature

Notranja temperatura hladilnika se spremeni iz naslednjih razlogov:


- sezonske temperature,
- pogosto odpiranje vrat in puščanje vrat odprtih za dlje časa,
- postavljanje živil v hladilnik, preden se ohladijo na sobno temperaturo,
- položaj hladilnika v prostoru (npr. izpostavljenost sončni svetlobi).
- Notranja temperatura, ki se spreminja zaradi teh dejavnikov, se lahko prilagodi s gumbom za nastavitev.

Številke okoli gumba za nastavitev označujejo stopinje kot »°C«.

Če je temperatura okolja 20°C, je priporočeno nastaviti temperaturo hladilnika na 4°C. Pri drugih temperaturah okolja lahko to vrednost prilagodite.

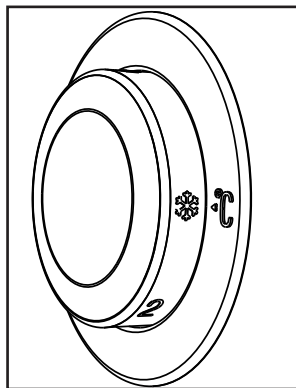


5.2. Hitro zamrzovanje

Če želite zamrzniti večje količine sveže hrane, obrnite gumb za nastavitev temperature na položaj , preden daste živila v predel za hitro zamrzovanje.

Toplo priporočamo, da pustite gumb v tem položaju saj 24 ur, ko želite zamrzniti največjo dovoljeno količino svežih živil, tj. označeno zmoglost zamrzovanja. Bodite še posebej previdni, da ne mešate zamrznjene in sveže hrane.

Ne pozabite obrniti gumba za nastavitev temperature nazaj v njegov prejšnji položaj.



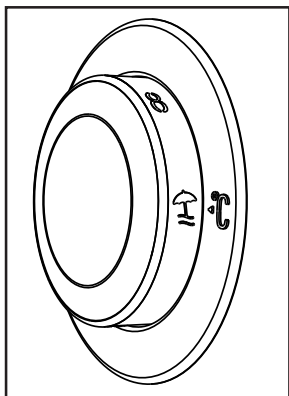
Uporaba izdelka

5.3. Funkcija za počitnice

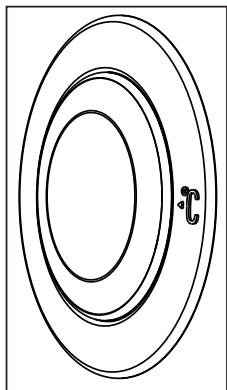
Če se vrata hladilnika ne (↑) odprejo v 12 ur po tem, ko ste nastavili gumb za nastavev temperature na najvišji položaj, se funkcija za počitnice samodejno aktivira.

Nastavev gumba je treba spremeniti, če želite preklicati funkcijo.

Ko je funkcija za počitnice vklopljena, ne priporočamo shranjevanja živil v hladnejših delih.



- Ko zaključite nastavev, lahko gumb za nastavev temperature skrijete, tako da ga pritisnete navznoter.

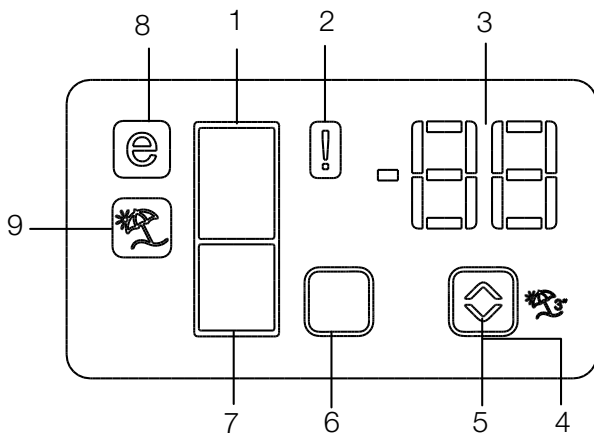


Uporaba izdelka

5.4. Ploščad s kazalniki

Prikazovalne ploščadi se lahko razlikujejo glede na model izdelka.

Avdio - vizualne funkcije na prikazni plošči vam pomagajo pri uporabi vašega izdelka.



1. Pokazatelj predela hladilnika
2. Pokazatelj stanja napake
3. Pokazatelj temperature
4. Tipka za funkcijo počitnice
5. Tipka nastavitve temperature
6. Tipka za izbiro predela
7. Pokazatelj predelka zamrzovalnika
8. Pokazatelj za varčno obratovanje
9. Pokazatelj za funkcijo počitnice

***možnosti izvedbe**



***Izbirno:** Številke v tem priročniku so namenjene kot osnutki in se morda popolnoma ne ujemajo z vašim izdelkom. Če vaš izdelek ne vključuje ustreznih delov, se podatki nanašajo na druge modele.

Uporaba izdelka

1. Pokazatelj predela hladilnika

Lučka predela hladilnika je prižgana, medtem ko se temperatura v predelu hladilnika nastavlja.

2. Pokazatelj stanja napake

Ta pokazatelj se aktivira v primeru napake senzorja ali če vaš hladilnik ne hladi dovolj. Ko je ta kazalnik vklopljen, se prikaže "E" na pokazatelju temperature predela zamrzovalnika in na pokazatelju temperature predela hladilnika se prikažejo številke, kot npr. "1, 2, 3...". Te številke na pokazatelju obvestijo servisno osebje o napaki.

3. Pokazatelj temperature

Kaže temperaturo prostora zamrzovalnika in hladilnika.

4. Tipka za funkcijo počitnice

Pritisnite za 3 sekunde na tipko dopusta, da vklopite to funkcijo. Ko je aktivirana funkcija počitnice, se prikaže na pokazatelju temperature prostora hladilnika "-" in v prostoru hladilnik se ne izvaja aktivno hlajenje. Ni pa primerno za ohranjanje hrane v prostoru hladilnika, ko je vklopljena ta funkcija. Drugi predeli se še naprej ohlajajo na njihovo nastavljeno temperaturo.

Če želite preklic te funkcije znova pritisnite tipko za počitnice.

5. Tipka nastavitve temperature

Spremeni temperaturo ustreznega predelka med -24 °C... -18 °C in 8 °C... po stopnji 1 °C.

6. Tipka za izbiro predela

Tipka za izbiro: Pritisnite tipko za izbiro predelka za preklon med predelom hladilnika in zamrzovalnika.

7. Pokazatelj predelka zamrzovalnika

Lučka predela hladilnika je prižgana, medtem ko se temperatura v predelu zamrzovalnika nastavlja.

8. Pokazatelj za varčno obratovanje

Kaže, da hladilnik deluje v načinu varčevanja z energijo. Ta zaslon se aktivira, če temperaturo zamrzovalnika nastavite na -18 °C.

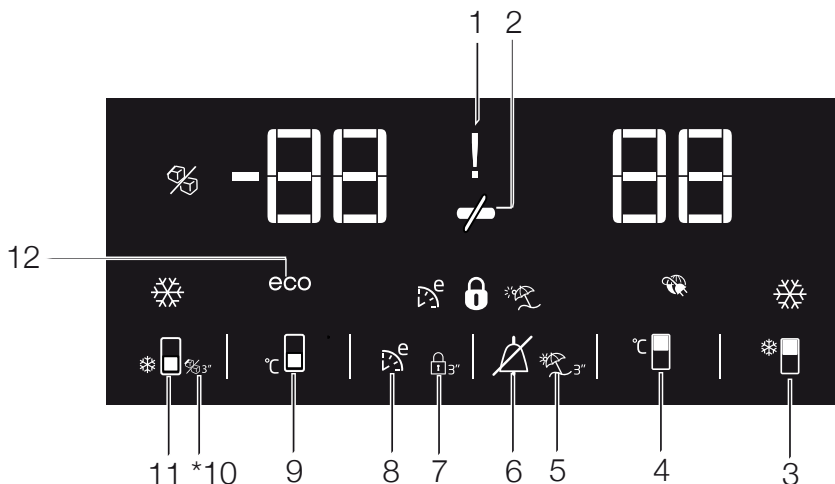
9. Pokazatelj za funkcijo počitnice

Kaže, da je vklopljen način počitnice.



Uporaba izdelka

5.5. Indikatorska tabla

Indikatorska tabla omogoča nastavitve temperature in nadzor nad drugimi funkcijami izdelka, ne da bi odprli vrata hladilnika. Za nastavitve funkcije preprosto pritisnite napise na ustreznih gumbih.




1. Kazalec za izpad električnega toka/ visoko temperaturo/opozorila na napako

Ta indikator  zasveti pri izpadu električnega toka, napakah visokih temperatur in opozorilih na napako. Med dolgotrajnimi izpadi električnega toka bo najvišja temperatura, ki jo zamrzovalni predel doseže, utripala na digitalnem zaslonu. Najprej preverite hrano v zamrzovalnem predelu () in nato pritisnite gumb za izklop alarma, da ustavite opozorilo.

Če opazite, da ta indikator sveti, glejte razdelek »nasveti za odpravljanje težav« v vašem priročniku.

2. Funkcija varčevanja energije (zaslon ugasnjen):

Če so vrata naprave dlje časa ostala zaprta, se funkcija varčevanja energije samodejno vklopi, simbol te funkcije pa zasveti. ()

Ko je funkcija za varčevanje energije aktivirana, se bodo na zaslonu izklopili vsi simboli razen simbol za varčevanje energije. Če med delovanjem funkcije »Energy Saving« pritisnete kateri koli gumb ali odprete vrata, se bo funkcija izklopila in simboli na zaslonu se bodo vrnili na običajno delovanje.


Funkcija varčevanja energije se vklopi med dostavo iz tovarne in je ni mogoče preklicati.



***Izbirno:** Številke v tem priročniku so namenjene kot osnutki in se morda popolnoma ne ujemajo z vašim izdelkom. Če vaš izdelek ne vključuje ustreznih delov, se podatki nanašajo na druge modele.

Uporaba izdelka

3. Funkcija hitrega hlajenja

Gumb ima dve funkciji. Za vklop ali izklop funkcije hitrega hlajenja ga na kratko pritisnite. Kazalec »Quick Cool« (hitro hlajenje) se bo izključil in preklopil na običajne nastavitve. 



Funkcijo hitrega hlajenja uporabite, ko želite hitro ohladiti hrano, ki ste jo postavili v predel hladilnika. Če želite ohladiti velike količine svežih živil, vklopite funkcijo preden postavite živila v hladilnik.



Če funkcije hitrega hlajenja ne prekličete, se bo po 8 urah ali ko hladilni del doseže zeleno temperaturo samodejno izklopila.




Če gumb za hitro hlajenje pritisnete večkrat zaporedoma v kratkih intervalih, se vklopi zaščitni sistem elektronskega vezja in kompresor ne bo pričel z delovanjem nemudoma.





Po vzpostavitvi napetosti v primeru izpada elektrike se funkcija ne povrne.

4. Gumb za nastavev temperature hladilnega predela


Temperature hladilnega dela nastavite na 8, 7, 6, 5, 4, 3, 2, 8, če pritisnete gumb zaporedoma. Pritisnite gumb za nastavev zelene temperature hladilnega dela. 

5. Funkcija za počitnice

Če želite aktivirati funkcijo za počitnice, pritisnite ta gumb  za 3 sekunde in indikator načina za počitnice  se aktivira. Ko je funkcija za počitnice vklopljena, je na indikatorju temperature hladilnega predela prikazano »-«, v predelu hladilnika pa ni aktivnega hlajenja. Ko je funkcija za počitnice vklopljena, ne priporočamo shranjevanja živil v predelu hladilnika. Ostali predeli se bodo še naprej hladili, kot je nastavljena njihova temperatura.


Če želite preklicati to funkcijo, ponovno pritisnite gumb **Vacation function** (funkcija za počitnice).


6. Opozorilo za izklop alarma:

V primeru alarma za izpad toka/visoko temperaturo, najprej preverite hrano v zamrzovalnem predelu in nato pritisnite gumb za izklop alarma , da ustavite opozorilo.


7. Ključavnica

Pritisnite gumb za ključavnico  za 3 sekunde. Simbol ključavnice

 bo zasvetilo in vklopil se bo način za ključavnico. Med delovanjem načina ključavnice gumbi ne delujejo. Ponovno pritisnite gumb za ključavnico za 3 sekunde. Simbol za ključavnico bo prenehala svetiti in način za ključavnico se izklopi.


Če želite preprečiti spreminjanje nastavitve temperature hladilnika, pritisnite gumb **key lock** (ključavnica) .

8. Varčna funkcija (Eco Fuzzy)

Varčno funkcijo (Eco Fuzzy) vklopite, če za 1 sekunde pritisnete in držite gumb za varčno funkcijo. Hladilnik bo najkasneje po 6 urah pričel delovati v najvarčnejšem načinu in ko je funkcija aktivna, se bo vklopil kazalec varčne uporabe . Varčno funkcijo (Eco Fuzzy) izklopite, če za 3 sekunde pritisnete in držite gumb za varčno funkcijo.


Ta indikator zasveti po 6 urah, ko je varčna funkcija vklopljena.

9. Gumb za nastavev temperature zamrzovalnega dela

Temperature zamrzovalnega dela nastavite na -18, -19, -20, -21, -22, -23, -24, -18, če pritisnete gumb zaporedoma. Pritisnite gumb za nastavev zelene temperature zamrzovalnega dela. 

Uporaba izdelka


10. Indikator za izklop ledomata

Označuje ali je ledomat vklopljen ali izklopljen.  Če je vklopljen, ledomat ne deluje. Če želite, da ledomat deluje, ponovno pritisnite in držite gumb za vklop-izklop za 3 sekunde.



Ko izberete to funkcijo, se tok vode iz rezervoarja za vodo ustavi. Če obstoječ led pa lahko vzamete iz ledomata.

11. Gumb funkcije hitrega zamrzovanja/ gumb za vklop-izklop ledomata

Pritisnite ta gumb za vklop ali izklop funkcije hitrega zamrzovanja. Ko aktivirate to funkcijo, se predel zamrzovalnika ohladi na temperaturo, ki je nižja od nastavljene vrednosti. 

Za vklop in izklop ledomata pritisnite in držite gumb za 3 sekunde.



Funkcijo hitrega zamrzovanja uporabite, ko želite hitro zamrzniti hrano, ki ste jo postavili v predel hladilnika. Če želite zamrzniti velike količine svežih živil, vklopite funkcijo preden postavite živila v hladilnik.




Če funkcije hitrega zamrzovanja ne prekličete, se bo po 4 urah ali ko hladilni del doseže zeleno temperaturo samodejno izklopila.



Po vzpostavitvi napetosti v primeru izpada elektrike se funkcija ne povrne.

12. Indikator varčne uporabe

Označuje, da hladilnik deluje v energijsko varčnem načinu.  Indikator bo vklopljen, če je temperatura predela zamrzovalnika nastavljena na -18 ali če je vklopljena funkcija "Eco-Extra" (posebno varčevanje) in se izvaja energijsko varčno hlajenje.



Indikator varčne uporabe se ugasne, ko izberete funkcijo hitrega hlajenja ali hitrega zamrzovanja.

Uporaba izdelka

5.6. Vedro za led

(izbirno)

- Vzemite vedro za led iz predela zamrzovalnika.
- Napolnite vedro za led z vodo.
- Postavite vedro za led v predela zamrzovalnika.
- Led bo pripravljen približno v dveh urah. Vzemite vedro za led iz predela zamrzovalnika in rahlo nagnite čez držalo, ki ga boste postregli. Led se bo samodejno preliil v držalo za serviranje.

5.7. Nosilec za jajca

Nosilec za jajca lahko namestite na vrata ali polico po izbiri. Če se odločite, da ga boste postavili na polico trupa, je priporočljivo uporabiti spodnje police, saj so hladnejše.

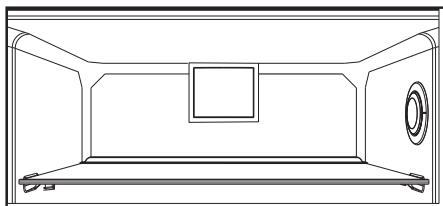


Nosilca za jajca ne postavljajte v predel zamrzovalnika.

5.8. Ventilator

Ventilator je oblikovan, da enakomerno razporeja kroženje hladnega zraka znotraj hladilnika. Čas delovanja ventilatorja se lahko razlikuje glede na lastnosti naprave.

Pri nekaterih izdelkih ventilator deluje le s kompresorjem, pri drugih pa kontrolni sistem določa čas delovanja glede na potrebo po hlajenju.



5.9. Posoda za zelenjavo

(izbirno)

Posoda za zelenjavo je narejen, da ohranja vlago in ohranja zelenjavo svežo. V ta namen se celotno kroženje mrzlega zraka v posodi za zelenjavo okrepi.

5.10. Zamrzovalni predel

(izbirno)

Ta predel uporabljajte za shranjevanje delikates pri nizkih temperaturah ali mesnih izdelkov, ki jih boste takoj porabili.

Zamrzovalni predel je najhladnejše mesto, kjer lahko shranite živila kot so mlečni izdelki, meso, ribe in piščanec, v idealnih pogojih shranjevanja. Ta predel ni primeren za shranjevanje zelenjave in/ali sadja.

Uporaba izdelka

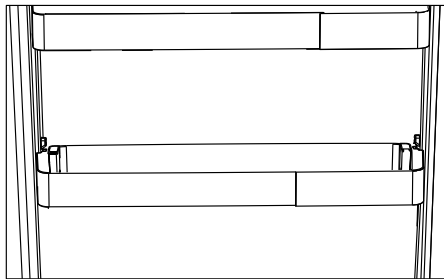
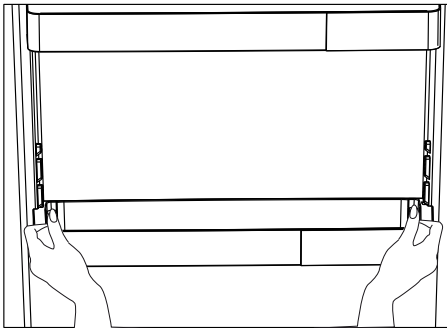
5.11. Premikajoča vratna polica (izbirno)

Premikajoča vratna polica se lahko pritrdi na 3 različne položaje.

Če želite premakniti polico, enakomerno pritisnite gumbе na straneh. Police se tako odstrani.

Pomaknite polico gor ali dol.

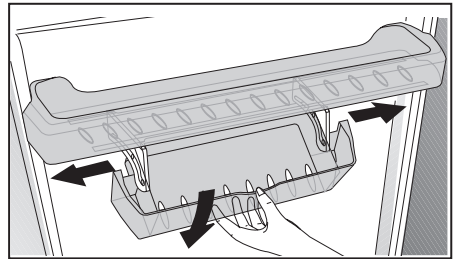
Ko je polica v zelenem položaju, sprostite gumbе. Polica bo ponovno pritrjena v položaju, kjer ste spustili gumbе.



5.12. Drseče škatle za shrambo (izbirno)

Dodatek je oblikovan z namenom povečati uporabno prostornino polic na vratih.

Ker se lahko premakne na stran, omogoča enostavno nameščanje dolgih steklenic, kozarcev ali škatel, ki jih postavite spodnje stojalo za steklenice.



Uporaba izdelka

5.13. Posoda za zelenjavo z uravnavanjem vlage

(izbirno)

Funkcija uravnavanja vlage ohranjate stopnje vlage zelenjave in sadja pod nadzorom in zagotovi hrano dlje časa svežo.

Listnato zelenjavo, kot je zelena solata, špinača in podobna zelenjava, ki je podvržena izgubi vlage, shranjujte v vodoravnem položaju v posodi za zelenjavo in ne na koreninah.

Ko nalagata zelenjavo, položite težjo in trdo zelenjavo na dno, lahko in mehko pa na vrh, pri tem pa upoštevajte specifične teže zelenjave.

Zelenjave ne pustite v posodi za zelenjavo v plastičnih vrečkah. Če jo pustite v plastičnih vrečkah, zelenjava hitreje zgnije. V situacijah, kjer ni dobro, da se različne vrste zelenjave stikajo med seboj, uporabite pakirni material, kot je papir, ki ima določeno poroznost v smislu higijene.

Sadja, ki ima proizvodnjo z visoko vsebnostjo etilena, kot so hruške, marelice, breskve in predvsem jabolka, v isto posodo za zelenjavo z drugo zelenjavo in sadjem. Etilen, ki prihaja iz tega sadja, lahko povzroči, da druga zelenjava in sadje hitreje dozori in zgnije.

5.14. Samodejna naprava za led (izbirno)

Samodejna naprava za led omogoča enostavno izdelavo ledu v vašem hladilniku. Če želite dobiti led iz naprave za led, odstranite rezervoar za vodo iz predela hladilnika, ga napolnite z vodo in ga pritrдите nazaj na mesto.

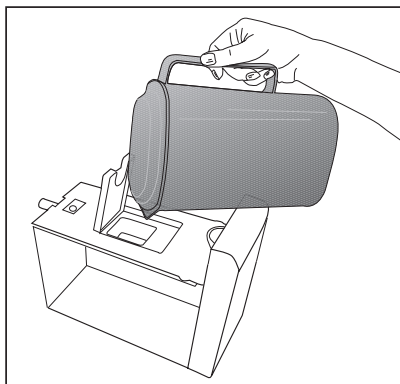
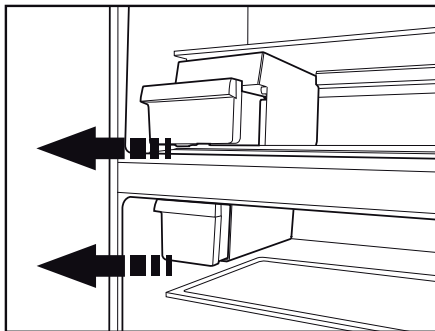
Prvi led bo pripravljen v ok. 2 urah v predali naprave za led v predelu hladilnika.

Ko namestite polni rezervoar za vodo, lahko dobite ok. 60-70 kock ledu, dokler ni popolnoma prazen.

Če je voda v rezervoarju stala 2-3 tedne, jo je treba zamenjati.



Pri izdelkih s samodejno napravo za led boste med vlivanjem ledu morda slišali zvok. Ta zvok je običajen in ni napaka.



Uporaba izdelka

5.15. Ledomat in posoda za shranjevanje ledu

*izbirno

Uporaba ledomata

Ledomat napolnite z vodo in ga postavite na ustrezno mesto. Led bo pripravljen približno v dveh urah. Ledomata ne odstranjajte iz svojega mesta, da bi vzeli led.

Gumbe na njem zavrtite v smeri urinega kazalca za 90 stopinj.

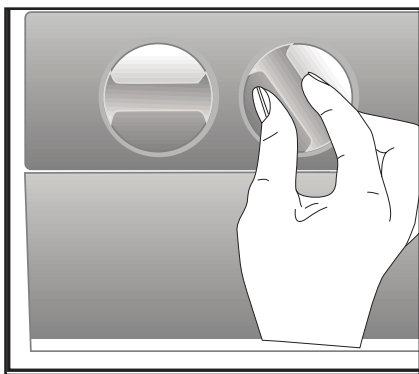
Kocke ledu v zbiralnikih bodo padle v posodo za shranjevanje ledu spodaj.

Posodo za shranjevanje ledu lahko izvlčete in postrežete kocke ledu.

Če želite, lahko kocke ledu hranite v posodi za shranjevanje ledu.

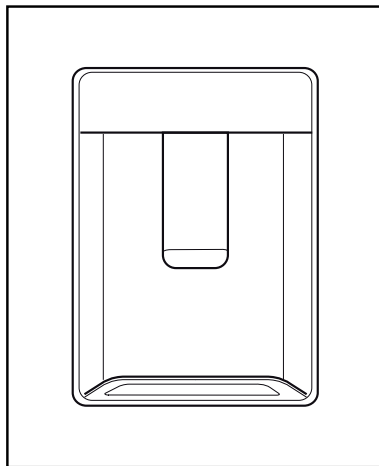
Posoda za shranjevanje ledu

Posoda za shranjevanje ledu je namenjena le zadrževanju kock ledu. V posodo ne vlivajte vode, saj se lahko zlomi.



5.16. Točaj vode (pri nekaterih modelih)

Točaj vode je zelo uporabna naprava, ki omogoča natakanje hladne vode brez odpiranja vrat hladilnika. Ker vam ne bo treba pogosto odpirati vrat hladilnika, boste prihranili energijo.



5.17. Uporaba vodne pipe

S kozarcem potisnite ročico točaja vode. Ko pritisk na ročico popustite, bo točaj vode prenehal delovati.

Med natakanjem vode lahko dosežete največji pretok s pritiskom na ročico do konca. Ne pozabite, da je pretok vode iz točaja odvisen od sile, s katero pritisnete na ročico.

Medtem ko gladina vode v kozarcu/posodi narašča, malce popustite pritisk, da se voda ne prelije. Pri zelo nežnem pritisku na ročico bo voda samo kapljala; to je normalno in ni motnja delovanja.

Uporaba izdelka

Polnjenje posode točaja vode

Polnilna posodica za vodo se nahaja v notranjosti regala vrat. Odprite pokrov posode in jo napolnite s čisto pitno vodo. Nato pokrov zaprite.

Pozor!

- Posodo za vodo polnite le z vodo in ne s katero koli drugo tekočino, kot so sadni sokovi, gazirane pijače ali alkoholne pijače, ki niso primerne za uporabo v točaju vode. Pri uporabi teh tekočin bo točaj vode bo nepopravljivo poškodovan. Garancija take uporabe ne krije. Nekateri kemični snovi in aditivi, vsebovani v teh vrstah pijač / tekočin lahko posodo za vodo poškodujejo.

- Uporabljajte samo čisto in svežo pitno vodo.
- Prostornina posode za vodo znaša 3 litre; ne napolnite preveč.
- S kozarcem potisnite ročico točaja vode.

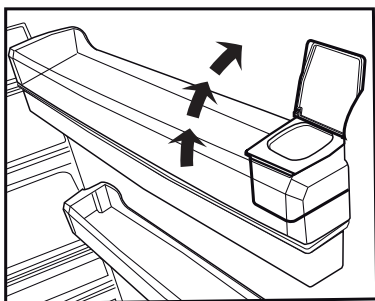
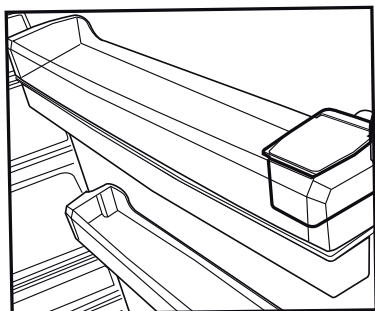
Če uporabljate plastične kozarce za enkratno uporabo, potisnite ročico s prsti za kozarcem.

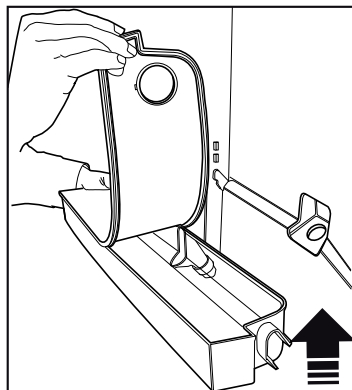
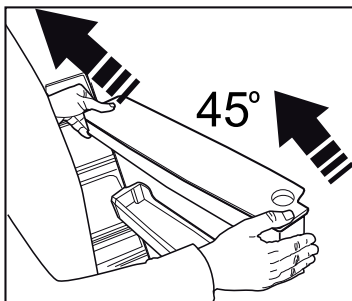
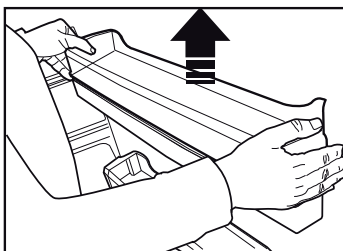
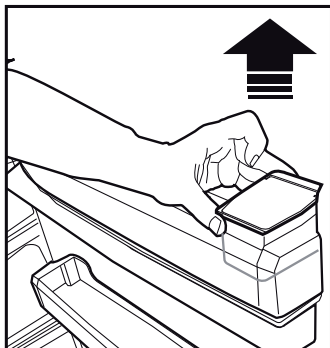
5.18.Čiščenje posode za vodo

- Odstranite posodo za polnjenje vode v notranjosti regala na vratih.
- Odstranite regal vrat, tako da ga primete na obeh straneh.
- Primite posodo za vodo na obeh straneh in jo odstranite pod kotom 45 °C.
- Posodo za vodo očistite z odstranitvijo pokrova.

Pomembno:

Sestavni deli posode za vodo in točaja vode se ne smejo prati v pomivalnem stroju.





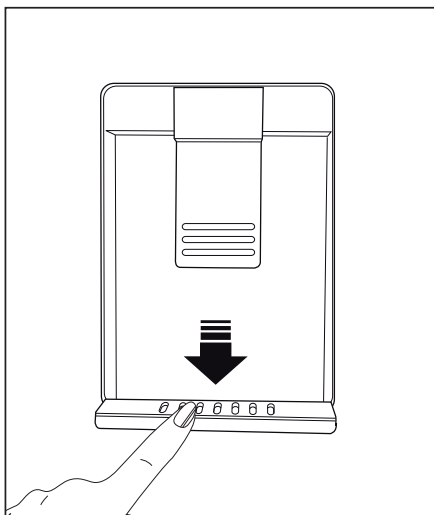
5.19. Pladenj za vodo

Voda, ki kaplja pri uporabi točaja vode, se nabira v pladnju za vodo.

Plastični pladenj odstranite, kot je prikazano na sliki.

S čisto in suho krpo obrišite razlito vodo.

POZOR: Priključite samo na napeljavo s pitno vodo.



Uporaba izdelka

5.20. Zamrzovanje svežih živil

- Če želite ohraniti kakovost živil, morate živila, ki jih postavite v predel zamrzovalnika, čim hitreje zamrzniti; za to uporabite hitro zamrzovanje.
- Zamrzovanje sveže hrane podaljša čas shranjevanja v predelu zamrzovalnika.
- Zapakirajte živila v nepredušne pakete in jih tesno zaprite.
- Pazite, da so živila zapakirana, preden jih postavite v zamrzovalnik. Uporabite držala zamrzovalnika, folijo in papir, ki je odporen na vlago, plastične vrečke ali podobni pakirni material, namesto običajnega papirja.



Led v predelu zamrzovalnika se samodejno odtaja.

- Pred pakete s hrano zamrznete jih označite z datumom. Tako boste lahko določili svežino posameznega paketa vsakič, ko odprete zamrzovalnik. Hranite starejša živila spredaj, da jih tako uporabite najprej.
- Zamrznjena živila je treba porabiti takoj ko se odtalijo in se ne smejo ponovno zamrzniti.
- Ne zamrzujte velike količine živil naenkrat.

5.21. Priporočila za shranjevanje zamrznjenih živil

Predel mora biti nastavljen vsaj na -18°C .

1. Živila nemudoma postavite v zamrzovalnik, da se ne odtalijo.
2. Pred zamrzovanjem, preverite »datum izteka roka« na embalaži, da se prepričajte, da se ni izdelek.
3. Preverite, da embalaža živil ni poškodovana.

Nastavitev temperature zamrzovalnega dela	Nastavitev temperature hladilnega dela	Podrobnosti
-18°C	4°C	To je privzeta in priporočena nastavitev.
$-20, -22$ ali -24°C	4°C	Te nastavitve so priporočene za temperature okolja, ki presegajo 30°C .
Funkcija hitrega zamrzovanja	4°C	Uporabite, ko želite zamrzniti hrano v kratkem času. Ko se postopek konča, izdelek ponovno pridobi svoj položaj.
-18°C ali hladneje	2°C	Te nastavitve uporabite, če mislite, da predel hladilnika ni dovolj hladen zaradi temperature okolja ali pogostega odpiranja vrat.

Uporaba izdelka

5.22.Podrobnosti globokega zamrzovanja

Po standardih IEC 62552 mora imeti zamrzovalnik zmogljivost, da zamrzne 4,5 kg hrane pri -18°C ali nižji temperaturi v 24 urah na vsakih 100 litrov volumna predela zamrzovalnika.

Živila lahko dlje časa hranite samo pri ali pod temperaturo -18°C.

Hrano lahko tako ohranite svežo več mesecev (v globoke zamrzovalniku pri ali pod temperaturo -18°C).

Hrana, ki jo nameravate zamrzniti, se ne sme dotikati že zamrznjene hrane, da ne pride do delnega odtajanja.

Zavrite zelenjavo in prefiltrirajte vodo, da podaljšate čas shranjevanja zamrznjenih živil. Živila najprej filtrirajte, nato pa jih dajte v nepredušne pakete in postavite v zamrzovalnik. Banan, paradižnika, zelene solate, zelene, kuhanih jajc, krompirja in podobnih živil se ne sme zamrzovati. V primeru, da ta hrana zgine, bo to negativno vpliva na prehranske vrednosti in kakovost. Gnitje, ki ogroža človeško življenje, ni vprašljivo.

5.23.Postavitev živil

Police zamrzovalnega dela	Različne vrste živil, vključno z mesom, ribami, sladoledom, zelenjavo itd.
Police predel hladilnika	Živila v loncih, zaprtih krožnikih in zaprtih ovojih, jajca (v zaprtem ovoju)
Police na vratih hladilnega dela	Manjša in pakirana živila ali pijače
Posoda za zelenjavo	Sadje in zelenjava
Predel za sveža živila	Delikatese (hrana za zajtrk, mesni izdelki, ki jih boste porabili v kratkem času)

5.24.Opozorilo za odprta vrata (izbirno)

Če vrata naprave ostanejo odprta vsaj 1 minute, boste zaslišali zvočni alarm. Zvočni alarm ugasne, ko zaprete vrata ali pritisnete katerokoli tipko na prikazovalniku (če je na voljo).

Opozorilo za odprta vrata uporabnik sliši in vidi. Notranja razsvetljava ugasne, če se opozorilo nadaljuje 10 minut.

5.25.Spreminjanje smeri odpiranja vrat

Smer odpiranja vrat vašega hladilnika lahko spremenite glede na lokacijo, kjer ga uporabljate. Ko to rabite, se obrnite na najbližji pooblaščen servis.

Razlaga zgoraj je samo splošna izjava.

Preverite opozorilno oznako, ki se nahaja znotraj embalaže izdelka, glede spreminjanja smeri odpiranja vrat.

5.26.Notranja luč

Notranja luč uporablja luč tipa LED. Za težave s to lučjo se obrnite na pooblaščen servis.

Luč(i), ki je(so) uporabljena(-e) v tej napravi, ni mogoče uporabiti za hišno razsvetljavo. Namenska uporaba te luči je, da uporabnik varno in udobno postavi hrano v hladilnik/zamrzovalnik.

Ob rednem čiščenju naprave se njena življenjska doba podaljša.



OPOZORILO: Pred začetkom čiščenja hladilnika, ga izključite iz napajanja.

- Za čiščenje ne uporabljajte ostrih abrazivnih predmetov, mila, gospodinjskih čistil, čistilnih sredstev in loščila.
- Rastopite eno žličko karbonata v pol litra vode. V to raztopino pomočite krpo in jo temeljito ožemite. S to krpo obrišite notranjost naprave in temeljito posušite.
- Preprečite, da bi ohišje luči in ostali električni predmeti prišli v stik z vodo.
- Vrata očistite z vlažno krpo. Če želite odstraniti vrata in police, jih popolnoma spraznite. Police na vratih odstranite tako, da jih pomaknete navzgor. Po čiščenju ji namestite tako, da ji zdrsnete od zgoraj navzdol.
- Za čiščenje zunanjih površin in kromiranih delov izdelka ne uporabljajte čistilnih sredstev ali klorirane vode. Klor povzroči korozijo na kovinskih površinah.
- Ne uporabljajte ostrih, abrazivnih orodij, gospodinjskih čistil, čistilnih sredstev, kerozina, olja, loščila itd., da preprečite odstranjevanje in deformacijo odtisov na plastičnem delu. Za čiščenje uporabite mlačno vodo in mehko krpo ter do suhega obrišite.

6.1. Izogibanje neprijetnim vonjavam

V proizvodnji naših naprav ne uporabljamo materialov, ki povzročajo vonj. Vendar pa nepravilno shranjevanje živil in pomanjkljivo čiščenje notranjosti naprave lahko povzroči neprijetne vonjave.

Zato vsakih 15 dni čistite hladilnik s karbonatom, raztopljenim v vodi.

- Živila shranjujte v zaprtih posodah. Mikroorganizmi, ki prihajajo iz nepokritih posod, lahko povzročijo neprijetne vonjave.
- V hladilniku ne hranite pokvarjenih živil ali živil s pretečenim rokom.

6.2. Zaščita plastičnih površin

Nemudoma očistite s toplo vodo, saj lahko olje poškoduje plastično površino.

6.3. Steklo vrat

Odstranite zaščitno folijo s stekla.

Na površini stekla je premaz. Ta premaz zmanjša nabiranje madežev in pomaga pri lažjem odstranjevanju madežev in umazanije. Steklo, ki ni zaščiteno s takšnim premazom, je lahko predmet trajne vezave zraka ali organske ali anorganske umazanije, na osnovi vode, kot je vodni kamen, mineralne soli, nezgorelih ogljikovodikov, kovinskih oksidov in silikonov, ki lahko enostavno in hitro povzročijo madeže ali materialno škodo. Ohranjanje čistega stekla postane pretežko, kljub rednemu čiščenju. Posledično se poslabšata videz in prosojnost stekla. Grobe in korozivne metode in spojine čiščenja povečajo te napake in pospešijo proces poslabšanja.

Za redno čiščenje uporabite izdelke, na osnovi vode, ki niso alkalni in jedki.

Za čiščenje uporabite nealkalne in nekorozivne materiali in tako podaljšate življenjsko dobo tega premaza.

Steklo vrat je kaljeno za večjo odpornost proti udarcem in zlomu.

Zadnja površina stekla pa je prevlečena z zaščitnim filmom kot dodatni varnostni ukrep, ki preprečuje, da bi steklo ob zlomu povzročilo škodo okolici.

* Alkalij je baza, ki tvori hidroksilne ione (OH⁻), ko jo raztopimo v vodi.

Li (Litij), Na (Natrij), K (Kalij) Rb (Rubidij), Cs (Cezij) in umetne in radioaktivne Fr (Frensijski) kovine se imenujejo ALKALIJSKE KOVINE.

7 Odpravljanje motenj

Preverite ta seznam, preden se obrnete na servisno službo. S tem boste prihranili čas in denar. Ta seznam vključuje pogoste pritožbe, ki niso povezane z nestrokovno izdelavo ali materiali. Nekatere funkcije, ki so omenjene, morda ne veljajo za vašo napravo.

Hladilnik ne deluje.

- Napajalni kabel ni v celoti vključen v vtičnico. >>> Priključite ga v celoti, da se vsede v vtičnico.
- Pregorela je glavna varovalka ali pa varovalka priključena na vtičnico, ki napaja napravo. >>> Preverite varovalke.

Kondenzacija na stranski steni predela hladilnika (MULTI CONA, COOL, NADZOR in FLEXI CONA).

- Vrata se prepogosto odpirajo. >>> Pazite, da ne boste odpirali vrat naprave prepogosto.
- Okolje je preveč vlažno. >>> Ne nameščajte naprave v vlažnih okoljih.
- Živila, ki vsebujejo tekočine, so shranjena v nezaprthi posodah. >>> Naj bodo živila, ki vsebujejo tekočine, v zaprtih posodah.
- Vrata naprave so ostala odprta. >>> Vrata naprave ne imejte odprta predolgo časa.
- Termostat je nastavljen na prenizko temperaturo. >>> Nastavite termostat na primerno temperaturo.

Kompresor ne deluje.

- V primeru nenadnega izpada električne energije ali izvlečenega vtikača ter nato ponovnega vklopa, tlak plina v hladilnem sistemu naprave ni uravnotežen, kar sproži termično zaščito kompresorja. Naprava se bo ponovno zagnala po približno 6 minutah. Če se naprava ne zažene ponovno po tem času, se obrnite na servis.
- Odtajanje je vključeno. >>> To je normalno za popolnoma samodejno odtajanje naprave. Odtajanje se izvaja v rednih časovnih presledkih.
- Naprava ni priključena. >>> Prepričajte se, da je napajalni kabel priključen.
- Nastavitev temperature je napačna. >>> Izberite nastavitvev na primerno temperaturo.
- Napajanja ni. >>> Naprava bo še naprej normalno delovala, ko se bo vrnilo napajanje.

Obratovalni hrup hladilnika se povečuje, medtem ko je v uporabi.

- Delovna intenzivnost naprave se lahko razlikuje, odvisno od nihanja temperature okolice. To je normalno in ne gre za okvaro.

Hladilnik teče prepogosto ali predolgo.

Oodpravljanje težav

- Nova naprava je lahko večja od prejšnje. Večje naprave bodo delovale več časa.
- Sobna temperatura je lahko visoka. >>> Naprava običajno deluje več časa pri visoki sobni temperaturi.
- Naprava je lahko bila pred kratkim priključena na električno omrežje ali pa se novo živilo nahaja v notranjosti. >>> Naprava bo zahtevala več časa, da doseže nastavljeno temperaturo, če je bila pred kratkim priključena na električno omrežje ali pa se nahaja v notranjosti novo živilo. To je normalno.
- Velike količine tople hrane so bili morda pred kratkim dane v napravo. >>> Ne postavljajte tople hrane v napravo.
- Vrata so se pogosto odprla ali bila odprta daljše obdobje. >>> Topel zrak, ki se giblje znotraj povzroči, da naprava več časa deluje. Ne odpirajte vrat prepogosto.
- Vrata zamrzovalne skrinje ali hladilnika so lahko samo priprta. >>> Preverite, če so vrata popolnoma zaprta.
- Naprava je nastavljena na prenizko temperaturo. >>> Nastavite temperaturo na višjo stopnjo in počakajte, da naprava doseže nastavljeno temperaturo.
- Podložka vrat hladilnika ali zamrzovalnika je morda umazana, obrabljena, počena ali ni pravilno vstavljena. >>> Očistite jih ali zamenjajte podložko. Poškodovana oz. raztrgana podložka vrat bo povzročila, da naprava deluje več časa, da ohrani trenutno temperaturo.

Temperatura zamrzovalnika je zelo nizka, vendar je temperatura hladilnika primerna.

- Termostat zamrzovalnika je nastavljen na zelo nizko temperaturo. >>> Nastavite temperaturo predela zamrzovalnika na višjo stopnjo in še enkrat preverite.

Temperatura hladilnika je zelo nizka, vendar je temperatura zamrzovalnika primerna.

- Termostat hladilnika je nastavljen na zelo nizko temperaturo. >>> Nastavite temperaturo predela hladilnika na višjo stopnjo in še enkrat preverite.

Živilski izdelki hranjeni v predalih hladilnika so zamrznjeni.

- Termostat hladilnika je nastavljen na zelo nizko temperaturo. >>> Nastavite temperaturo predela zamrzovalnika na višjo stopnjo in še enkrat preverite.

Temperatura hladilnika ali zamrzovalnika je previsoka.

- Termostat hladilnika je nastavljen na zelo visoko stopnjo. >>> Nastavitev temperature v predelu hladilnika vpliva na temperaturo predela zamrzovalnika. Spremenite temperaturo hladilnika ali zamrzovalnika in počakajte, da ustrezni predeli dosežejo nastavljeno temperaturno raven.
- Vrata so se pogosto odpirala ali bila odprta daljše obdobje. >>> Ne odpirajte vrat prepogosto.
- Vrata so lahko samo priprta. >>> Popolnoma zaprite vrata.
- Naprava je lahko bila pred kratkim priključena na električno omrežje ali pa se novo živilo nahaja v notranjosti. >>> To je normalno. Naprava bo zahtevala več časa, da doseže nastavljeno temperaturo, če je bila pred kratkim priključena na električno omrežje ali pa se nahaja v notranjosti novo živilo.
- Velike količine tople hrane so bili morda pred kratkim dane v napravo. >>> Ne postavljajte tople hrane v napravo.

Tresenje ali hrup.

Oodpravljanje težav

- Tla niso ravna ali gladka. >>> Če se naprava trese, ko jo počasi premikate, prilagodite nogice za uravnoteženje naprave. Prav tako poskrbite, da so tla dovolj trdna, da nosijo napravo.
- Vsi predmeti, ki so dani na napravo lahko povzročijo hrup. >>> Odstranite vse predmete, ki so postavljeni na napravo.

Naprava proizvaja hrup pretoka tekočine, pršenja ipd.

- Principi delovanja naprave vključujejo tokove tekočin in plinov. >>> To je normalno in ne gre za okvaro.

Sliši se zvok podoben vetriču, ki prihaja iz naprave.

- Naprava uporablja ventilator za postopek hlajenja. To je normalno in ne gre za okvaro.

Nabira se kondenzacija na notranjih stenah naprave.

- Vroče ali vlažno vreme bo povečalo nabiranje ledu in kondenzacije. To je normalno in ne gre za okvaro.
- Vrata so se pogosto odprla ali bila odprta daljše obdobje. >>> Ne odpirajte vrat prepogosto; če so odprta, zaprite vrata.
- Vrata so lahko samo priprta. >>> Popolnoma zaprite vrata.

Nabira se kondenzacija na zunanjih stenah naprave ali med vrati.

- Prostor je lahko vlažen, kar je povsem normalno v vlažnem vremenu. >>> Kondenzacija se bo umaknila, ko se vlažnost zmanjša.

Notranjost ima neprijetne vonjave.

- Naprava se ne čisti redno. >>> Redno čistite notranjost z uporabo gobice, tople vode in vode s sodo.
- Nekatero posodice in embalažni materiali lahko povzročijo neprijeten vonj. >>> Uporabite posodice in embalažne materiale brez neprijetnega vonja.
- Živila so se hranila v nezaprtih posodah. >>> Hranite živila v zaprtih posodah. Mikroorganizmi se lahko širijo iz nezaprte hrane in povzročijo vonjave.
- Odstranite vsa pretekla ali pokvarjena živila iz naprave.

Vrata se ne zapirajo.

- Embalaža živil lahko ovira vrata. >>> Premaknite vse predmete, ki ovirajo vrata.
- Naprava ne stoji v popolnem pokončnem položaju glede na tla. >>> Prilagodite nogice za uravnoteženje naprave.
- Tla niso ravna ali gladka. >>> Poskrbite, da so tla v ravnini in dovolj trdna, da nosijo napravo.

Posoda za zelenjavo se je zataknila.

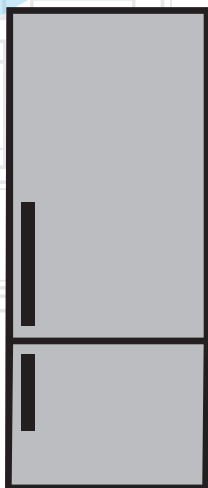
- Živilski izdelki so lahko v stiku z zgornjim delom predala. >>> Premestite kose hrane v predalu.



OPOZORILO: Če težave ne odpravite po sledenju navodilom v tem poglavju, se obrnite na prodajalca ali pooblaščen servis. Ne poskušajte sami popraviti naprave.

Frigorifero

Manuale utente



IT |

beko

Gentile cliente,

ci piacerebbe che lei potesse raggiungere un livello di efficacia ottimale dal nostro prodotto, che è stato realizzato in una struttura moderna, adottando controlli meticolosi a livello qualitativo.

A tal fine la invitiamo a leggere con attenzione il manuale dell'utente prima di iniziare a servirsi del dispositivo. La invitiamo altresì a conservare il presente manuale per poterlo consultare in futuro. Qualora dovesse cedere il prodotto a terzi, consigliamo di accludere il presente manuale.

Il manuale dell'utente garantisce un utilizzo veloce e sicuro dell'apparecchiatura.

- Consigliamo di leggere il manuale dell'utente prima di installare e mettere in funzione l'apparecchiatura.
- Rispettare sempre le istruzioni di sicurezza applicabili.
- Consigliamo di tenere la guida dell'utente a portata di mano per poterla consultare in futuro.
- La invitiamo a leggere gli altri eventuali documenti forniti con l'apparecchiatura.

Ricordi che questo manuale può riferirsi a diversi modelli. Il manuale indica chiaramente le eventuali variazioni da un modello all'altro.

Simboli e note

Nel manuale sono utilizzati i seguenti simboli:

	Informazioni importanti e consigli utili.
	Rischio di vita e proprietà.
	Rischio di scosse elettriche.
	L'imballaggio del prodotto è fatto di materiali riciclabili, in conformità con la Normativa Ambientale Nazionale.

1 Istruzioni relativamente a sicurezza e ambiente **3**

- 1.1. Norme di sicurezza generali. 3
- 1.1.1 Avvertenza HC. 5
- 1.1.2 Per i modelli con la fontana d'acqua. 5
- 1.2. Impiego conforme allo scopo previsto 6
- 1.3. Sicurezza bambini 6
- 1.4. Conformità con la Direttiva WEEE e smaltimento dei prodotti di scarico. 6
- 1.5. Conformità con la direttiva RoHS 6
- 1.6. Informazioni sull'imballaggio 7

2 Frigorifero **8**

3. Installazione **9**

- 3.1 Luogo idoneo per l'installazione. 9
- 3.2 Prima di avviare il frigorifero 9
- 3.3 Collegamenti elettrici. 9
- 3.4 Regolazione dei piedini 10
- 3.5 Inversione degli sportelli 11
- 3.6 Inversione degli sportelli 12

4 Preparazione **13**

- 4.1 Cose da fare ai fini del risparmio energetico 13
- 4.2 Uso iniziale. 13

5 Utilizzo del frigorifero **14**

- 5.1. Pulsante di impostazione della temperatura 14
- 5.2. Congelamento rapido 14
- 5.3. Funzione assenza 15
- 5.4. Pannello dei comandi 16
- 5.5. Pannello dei comandi 18
- 5.6. Secchiello del ghiaccio 21
(Questa funzione è opzionale). 21
- 5.7. Scomparto per le uova 21
- 5.8. Ventola 21
- 5.9. Cestino per verdure. 21
(Questa funzione è opzionale). 21
- 5.10. Scomparto zero gradi 21
(Questa funzione è opzionale). 21
- 5.11. Ripiano mobile sportello 22
- 5.12. Scomparto scorrevole per la conservazione 22
(Questa funzione è opzionale). 22
- 5.13. Cestino per verdure a umidità controllata . 23
(Questa funzione è opzionale). 23
- 5.14. Macchina del ghiaccio automatica 23
(Questa funzione è opzionale). 23
- 5.15. Icematic e contenitore per conservare il ghiaccio. 24
(Questa funzione è opzionale) 24
- 5.16. Erogatore d'acqua 24
- 5.17. Uso dell'erogatore d'acqua. 25
- 5.18. Pulizia del serbatoio dell'acqua 26
- 5.19. Vaschetta per l'acqua. 27
- 5.20. Consigli per conservare alimenti surgelati 28
- 5.21. Dettagli congelatore 28
- 5.22. Posizionamento degli alimenti. 29
- 5.23. Avvertenza sportello aperto. 29
- 5.24. Cambiare la lampadina di illuminazione . . 29

6 Pulizia e manutenzione **30**

- 6.1. Evitare i cattivi odori 30
- 6.2. Protezione delle superfici in plastica. 30

7 Risoluzione dei problemi **31**

Istruzioni relativamente a sicurezza e ambiente

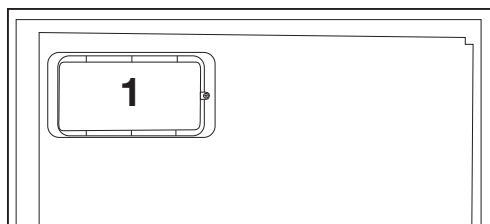
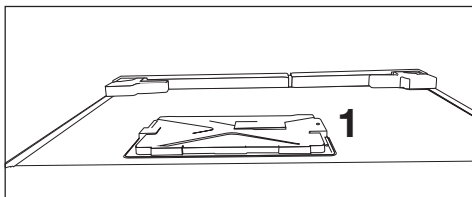
Questa sezione fornisce le istruzioni di sicurezza necessarie per evitare il rischio di lesioni e danni materiali. Il mancato rispetto di queste istruzioni in valdare a tutti i tipi di garanzia esistenti sul prodotto.

1.1. Norme di sicurezza generali

- Questo prodotto non dovrebbe essere usato da persone con disabilità a livello fisico, sensoriale e mentale, da persone senza un quantitativo sufficiente di conoscenze ed esperienza o ancora da bambini. Questa persone potranno usare il dispositivo unicamente sotto alla supervisione e alle istruzioni di una persona responsabile della loro sicurezza. Ai bambini non dovrebbe essere consentito di giocare con questo dispositivo.
- In caso di malfunzionamento, scollegare il dispositivo.
- Dopo aver scollegato il dispositivo, attendere almeno cinque minuti prima di collegarlo nuovamente. Scollegare il prodotto se non viene usato. Non toccare la presa con le mani umide! Non tirare il cavo per eseguire lo scollegamento, prenderlo sempre per la spina.

- Pulire l'estremità della spina con un panno asciutto prima di collegarla alla presa di corrente.
- Non collegare il frigorifero se la presa sembra essere allentata.
- Scollegare il prodotto in fase di installazione, manutenzione, pulizia e riparazione.
- Qualora si preveda di non utilizzare il prodotto per un po' di tempo, scollegarlo ed estrarre gli eventuali elementi contenuti al suo interno.
- Non usare vapore o materiali detergenti a base di vapore per la pulizia del frigorifero e per lo scioglimento del ghiaccio al suo interno. Il vapore potrebbe entrare in contatto con le aree sotto tensione elettrica e causare cortocircuiti o scosse elettriche!
- Non lavare il prodotto spruzzando o versando acqua sullo stesso! Pericolo di scossa elettrica!
- Non usare mai il prodotto se la sezione che si trova sulla parte superiore o posteriore del prodotto, con le schede dei circuiti elettronici stampati all'interno, è aperta (copri schede dei circuiti elettronici stampati) (1).

Istruzioni relativamente a sicurezza e ambiente

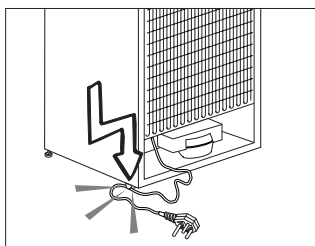


- Nonna posizionare liquidi in bottiglie o lattine all'interno dello scomparto congelatore. Potrebbero esplodere!
- Collocare i liquidi in posizione verticale dopo aver saldamente chiuso il tappo.
- Non spruzzare sostanze infiammabili vicino al prodotto, che potrebbe bruciare o esplodere.
- Non conservare materiali e prodotti infiammabili, con gas infiammabile, come ad esempio spray all'interno del frigorifero.
- Non collocare contenitori di liquidi sopra al prodotto. Gli spruzzi su parti sotto tensione potrebbero provocare scosse elettriche e rischio di incendio.
- L'esposizione del prodotto a pioggia, neve, sole e vento potrebbe causare pericoli a livello elettrico. Qualora sia necessario spostare il prodotto, non tirarlo per la maniglia della porta. La maniglia si potrebbe staccare.
- Evitare che parti delle mani o del corpo restino impigliate nei meccanismi mobili all'interno del prodotto.

- In caso di malfunzionamento, non usare il prodotto, dato che potrebbe emettere scosse elettriche. Contattare il servizio autorizzato prima di intervenire.
- Collegare il prodotto ha una presa che disponga di messa a terra. L'operazione di messa a terra deve essere eseguita da un elettricista qualificato.
- Qualora il prodotto disponga di un'illuminazione a LED, contattare l'assistenza autorizzata per la sostituzione oppure in caso di problemi.
- Non toccare alimenti congelati con le mani bagnate! Gli alimenti si potrebbero attaccare alle mani!

Istruzioni relativamente a sicurezza e ambiente

- Non incrinare o piegare la porta, i cassetti e altre componenti del frigorifero. Così facendo il prodotto cadrà e si potrebbero danneggiare le componenti.
- Fare attenzione a non bloccare il cavo di alimentazione.



1.1.1 Avvertenza HC

Qualora il prodotto sia dotato di sistema di raffreddamento che utilizza il gas R600a, fare attenzione a evitare di danneggiare il sistema di raffreddamento e il relativo tubo in fase di utilizzo e spostamento del prodotto. Questo gas è infiammabile. Se viene danneggiato il sistema di raffreddamento, tenere il prodotto lontano da fonti di fuoco e provvedere immediatamente ad arieggiare la stanza.



sul lato sinistro interno indica il tipo di gas usato nel prodotto.

1.1.2 Per i modelli con la fontana d'acqua

- La pressione per l'ingresso dell'acqua fredda dovrebbe essere al massimo 90 psi (6.2 bar). Qualora la pressione dell'acqua superi il valore 80 psi (5.5 bar), usare una valvola di limitazione della pressione nel sistema principale. Qualora non si sappia come verificare la pressione dell'acqua, chiedere aiuto a un idraulico professionista.
- In caso di rischio dell'effetto "martello acqua" nel proprio impianto, usare sempre una strumentazione per evitare l'effetto "martello d'acqua" nel proprio impianto. Rivolgersi a idraulici professionisti in caso di dubbio relativamente alla presenza o meno dell'effetto "martello d'acqua" nel proprio impianto.
- Non installare l'ingresso dell'acqua calda. Prendere precauzioni contro il rischio di congelamento dei tubi.

Istruzioni relativamente a sicurezza e ambiente

La gamma di funzionamento della temperatura dell'acqua dovrebbe essere 33°F (0.6°C) come minimo e 100°F (38°C) al massimo.

- Utilizzare solo acqua potabile.

1.2. Impiego conforme allo scopo previsto

• Questo prodotto è stato pensato per essere utilizzato in ambito domestico. Non è stato pensato per un uso di tipo commerciale.

- Il prodotto dovrebbe essere usato unicamente per la conservazione di alimenti e bevande.
- Non tenere prodotti dedicati, che richiedano temperature controllate, quali ad esempio vaccini, farmaci sensibili al calore, all'interno del frigorifero.
- Il produttore non si assume nessuna responsabilità per gli eventuali danni causati da un cattivo uso o da un uso scorretto.
- La durata a scaffale del prodotto è 10 anni. I pezzi di ricambio necessari per garantire il funzionamento di questo prodotto saranno disponibili per questo periodo di tempo.

1.3. Sicurezza bambini

- Tenere gli imballaggi fuori dalla portata dei bambini.
- Non permettere ai bambini di giocare con il prodotto.
- Qualora la porta del prodotto comprenda un lucchetto, tenere la chiave fuori dalla portata dei bambini.

1.4. Conformità con la Direttiva WEEE e smaltimento dei prodotti di scarico

Questo prodotto è conforme alla direttiva WEEE dell'UE (2012/19/EU). Questo prodotto è dotato di un simbolo di classificazione per i prodotti elettrici ed elettronici di scarto (WEEE).



Il prodotto è stato realizzato con componenti e materiali di alta qualità che possono essere riutilizzati oltre che riciclati. Non smaltire il prodotto con i normali rifiuti domestici e altri rifiuti al termine del suo ciclo di vita utile.

Portare il prodotto ha un centro di raccolta per il riciclaggio della strumentazione elettrica ed elettronica. Consigliamo di rivolgersi alle autorità locali per ulteriori informazioni su questi centri di raccolta.

1.5. Conformità con la direttiva RoHS

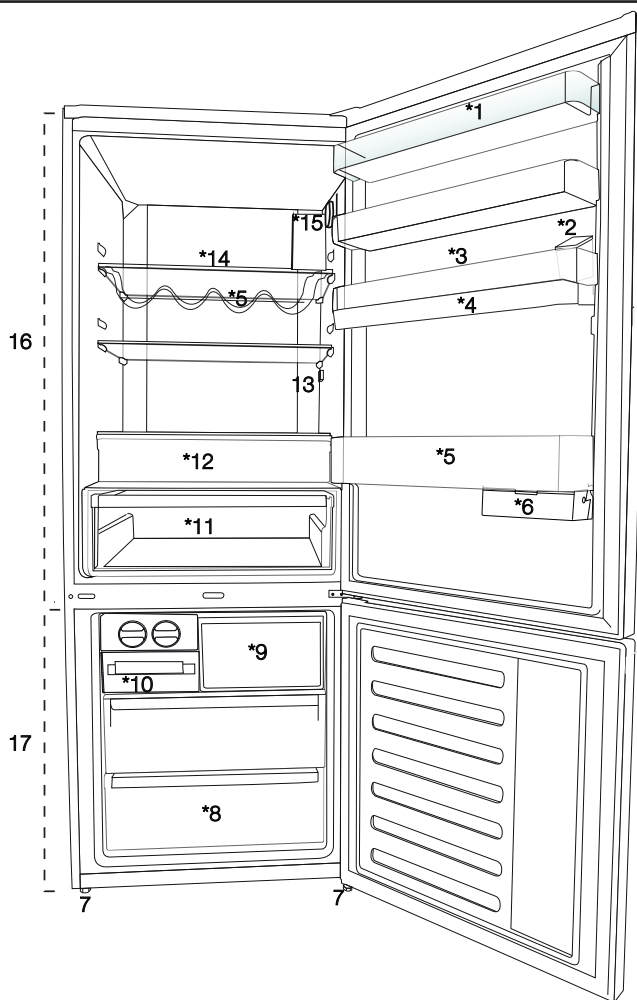
- Questo prodotto è conforme alla direttiva WEEE dell'UE (2011/65/EU). Non contiene materiali dannosi e proibiti e indicati nella Direttiva.

Istruzioni relativamente a sicurezza e ambiente

1.6. Informazioni sull'imballaggio

- I materiali che compongono l'imballaggio del prodotto sono realizzati a partire da materiali riciclabili in conformità con le nostre Normative Ambientali Nazionali. Non smaltire i materiali dell'imballaggio congiuntamente ai rifiuti domestici o ad altri rifiuti. Portarli presso i punti di raccolta imballaggi indicati dalle autorità locali.

2 Frigorifero



- | | |
|--|---|
| 1. Ripiano sportello scomparto
Coolerraggruppamento | 9. Scomparto Quick Freeze |
| 2. Contenitore riempimento erogatore acqua | 10. Portagiaccio & banca Ice |
| 3. Porta uova | 11. Cestino per verdure |
| 4. Serbatoio erogatore acqua | 12. Scomparto zero gradi |
| 5. Ripiano bottiglie | 13. Luce interna |
| 6. Contenitori scorrevoli per la conservazione | 14. Ripiano di vetro scomparto Cooler |
| 7. Piedini regolabili | 15. Pulsante di regolazione della temperatura |
| 8. Scomparto freezer | 16. Scomparto Cooler |
| | 17. Scomparto freezer |



*Opzionale: Le figure in questo manuale utente sono schematiche, e potrebbero non corrispondere esattamente al prodotto. Qualora il prodotto non contenga le parti descritte, l'informazione riguarda altri modelli.

3 Installazione

3.1 Luogo idoneo per l'installazione

Rivolgersi al Servizio Autorizzato per l'installazione del prodotto. Per rendere il prodotto pronto per essere installato, confrontare le informazioni nella guida dell'utente e accertarsi che i servizi elettrici e idrici siano presenti. In caso contrario contattare un elettricista e un idraulico per rendere questi servizi conformi ai requisiti.



AVVERTENZA: Il produttore non si assume nessuna responsabilità per gli eventuali danni causati dagli interventi eseguiti da personale non autorizzato.



AVVERTENZA: Il cavo di alimentazione del prodotto deve essere scollegato in fase di utilizzo. Il mancato rispetto di queste istruzioni potrebbe provocare morte o altre gravi lesioni!



AVVERTENZA: Qualora la porta sia troppo stretta per consentire il passaggio del prodotto, togliere la porta e ruotarla; qualora ciò non funzioni, contattare il servizio autorizzato.

- Collocare il prodotto su una superficie piana per evitare le vibrazioni.
- Collocare il prodotto ad almeno a 30 cm dal termosifone, dalla stufa e da altre fonti di calore e ad almeno 5 cm da eventuali forni elettrici.
- Non esporre il prodotto alla luce solare diretta o conservare in ambienti umidi.
- Il prodotto richiede una circolazione adeguata dell'aria per funzionare in modo efficace. Qual'ora il prodotto venga posizionato in un padiglione estivo, ricordare di lasciare una distanza di almeno 5 cm fra il prodotto, il soffitto, e le pareti.

- Non installare il prodotto in ambienti con temperature inferiori ai 5°.

3.2 Prima di avviare il frigorifero

Controllare quanto segue prima di utilizzare il frigorifero:

1. Montare i 2 cunei in plastica come illustrato sotto. I cunei in plastica servono a mantenere la distanza che assicura la circolazione dell'aria tra frigorifero e parete. (L'immagine è creata per illustrare e non è identica all'apparecchio).
2. Pulire la parte interna del frigorifero come consigliato nella sezione "Manutenzione e pulizia".
3. Collegare la spina del frigorifero alla presa elettrica. Quando lo sportello del frigorifero è aperto, la lampadina interna si accende.
4. Quando il compressore comincia a funzionare, si sente un rumore. I liquidi e i gas sigillati nel sistema refrigerante possono produrre dei rumori, anche se il compressore non è in funzione; questo è abbastanza normale.
5. I bordi anteriori del frigorifero possono essere tiepidi. Questo è normale. Queste zone sono progettate per essere tiepide per evitare la condensazione.

3.3 Collegamenti elettrici

Collegare il frigorifero ad una presa di messa a terra protetta da un fusibile della capacità appropriata.

Importante:

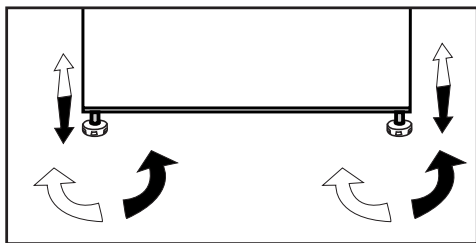
- Il collegamento deve essere conforme ai regolamenti nazionali.
- La spina elettrica deve essere facilmente accessibile dopo l'installazione.

Installazione

- La sicurezza elettrica del frigorifero è garantita unicamente se il sistema di messa a terra dell'apparecchiatura è conforme agli standard.
- La tensione dichiarata sull'etichetta che si trova nel lato interno a sinistra dell'apparecchio deve essere pari alla tensione di rete

3.4 Regolazione dei piedini

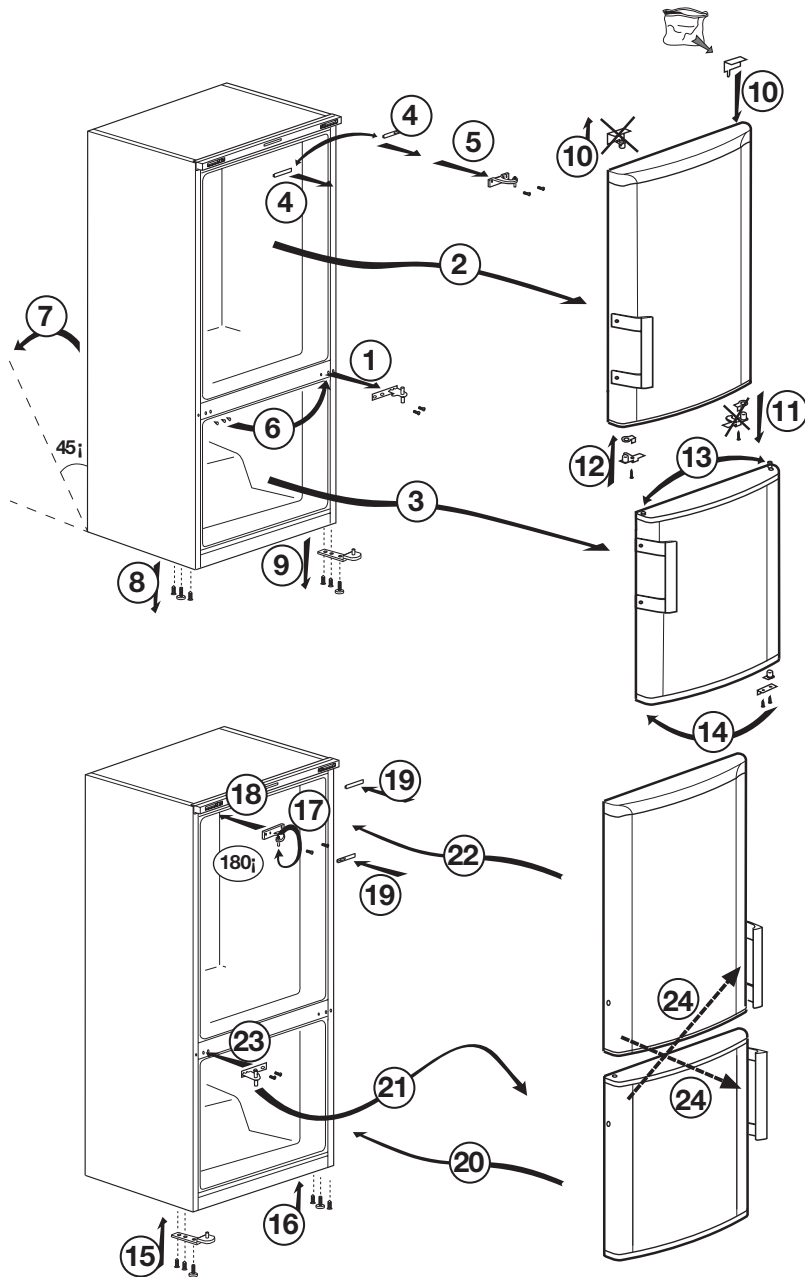
Se il frigorifero non è in equilibrio: è possibile bilanciare il frigorifero ruotando i piedini anteriori come illustrato in figura. L'angolo in cui i piedini sono più bassi quando girati in direzione della freccia nera e rialzati quando girati in direzione opposta. Un aiuto per sollevare leggermente il frigorifero faciliterà tale processo.



Installazione

3.5 Inversione degli sportelli

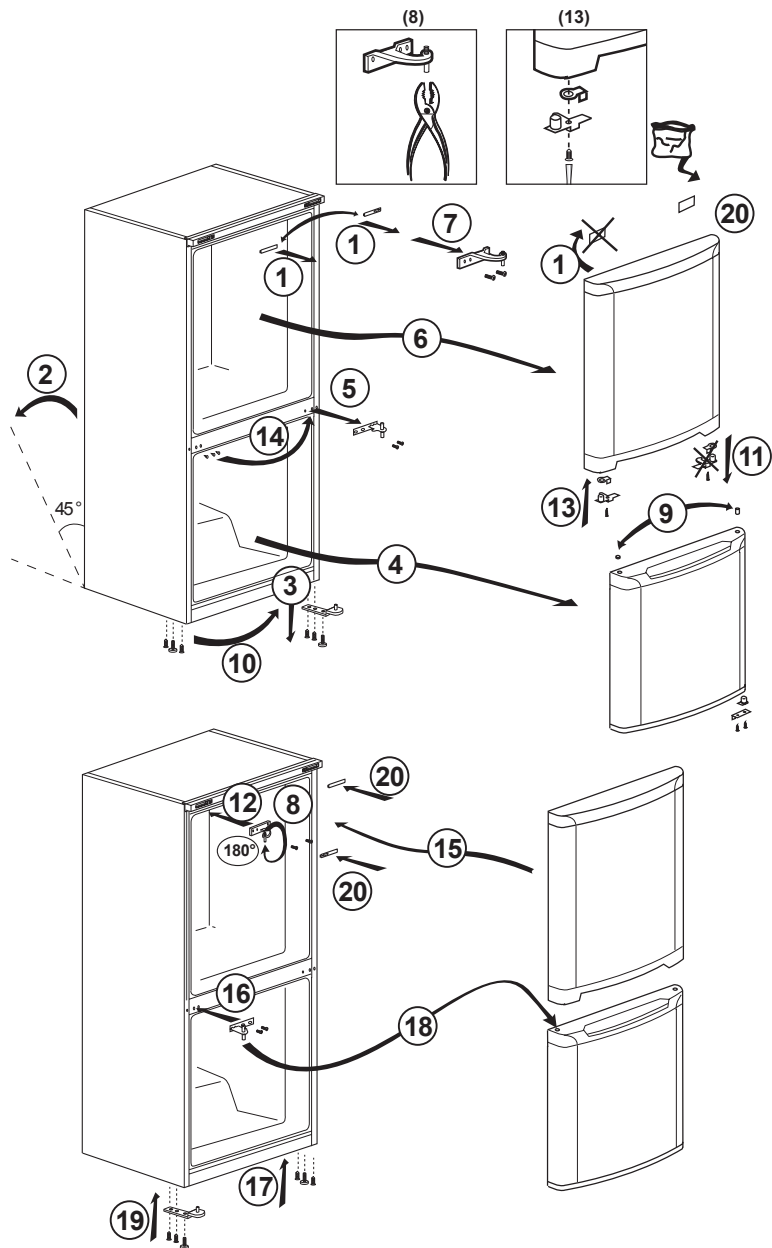
Procedere in ordine numerico.



Installazione

3.6 Inversione degli sportelli

Procedere in ordine numerico.



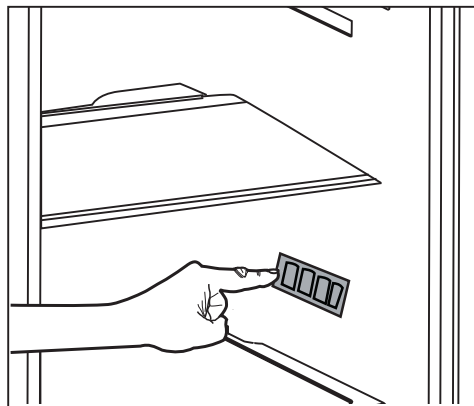
4 Preparazione

4.1 Cose da fare ai fini del risparmio energetico



La connessione dell'apparecchio a sistemi elettronici di risparmio energetico è rischiosa poiché potrebbe provocare danni all'apparecchio.

- Non lasciare lo sportello del frigorifero aperto per lunghi periodi.
- Non mettere alimenti o bevande caldi nel frigorifero.
- Non sovraccaricare il frigorifero; il blocco del flusso interno dell'aria riduce la capacità di raffreddamento.
- Per conservare la quantità massima di alimenti nello scomparto Cooler del frigorifero, bisogna estrarre i cassetti superiori e metterli sul piano di vetro. Il consumo energetico dichiarato per il frigorifero è stato stabilito estraendo lo scomparto Cooler, il vassoio del ghiaccio e i cassetti superiori in modo da consentire la conservazione massima. L'uso del cassetto inferiore è fortemente raccomandato. La funzione di risparmio energetico deve essere attivata per un migliore consumo energetico.
- Non bisogna bloccare il flusso dell'aria mettendo gli alimenti davanti alla ventola del Cooler. Uno spazio di almeno 3 cm deve essere lasciato davanti alla griglia della ventola protettiva quando si posizionano gli alimenti.
- A seconda delle caratteristiche dell'apparecchio, scongelare nello scomparto Cooler gli alimenti congelati assicura risparmio energetico e conserva la qualità degli alimenti.
- Gli alimenti devono essere conservati nei cassetti dello scomparto Cooler per assicurare risparmio energetico e proteggere gli alimenti in condizioni migliori.
- Le confezioni con gli alimenti non devono essere a contatto diretto con il sensore di calore che si trova nello scomparto Cooler. Se sono in contatto con il sensore, il consumo energetico dell'apparecchio potrebbe aumentare.
- Assicurarsi che gli alimenti non siano in contatto con il sensore della temperatura dello scomparto Cooler descritto sotto.



4.2 Uso iniziale

Prima di utilizzare il frigorifero, assicurarsi di eseguire le preparazioni necessarie in linea con le istruzioni delle sezioni "Istruzioni per sicurezza e ambiente" e "Installazione".

- Tenere l'apparecchio in funzione senza alimenti all'interno per 6 ore e non aprire lo sportello, a meno che non sia assolutamente necessario.



Si sente un suono quando il compressore si innesca. È normale sentire il suono anche quando il compressore non è attivo, a causa dei liquidi e dei gas compressi nel sistema di refrigerazione.



I bordi anteriori dell'apparecchio potrebbero riscaldarsi. Questo è normale. Il riscaldamento di queste parti è concepito per impedire la condensa.



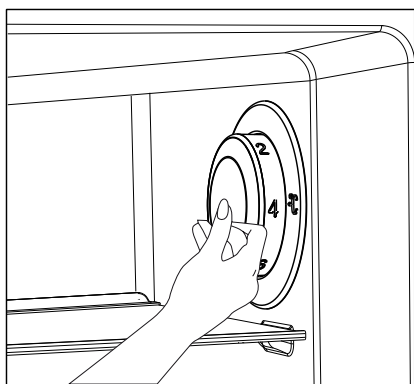
In alcuni modelli il pannello indicatore si spegne automaticamente 5 minuti dopo la chiusura dello sportello. Si riattiva quando lo sportello viene aperto o se viene premuto un pulsante.

5 Utilizzo del frigorifero

5.1. Pulsante di impostazione della temperatura

La temperatura interna del frigorifero cambia per le seguenti cause;

- Temperature stagionali,
- Apertura frequente dello sportello e sportello lasciato aperto per lunghi periodi,
- Alimenti messi nel frigorifero senza lasciarli prima raffreddare a temperatura ambiente,
- Posizionamento del frigorifero nella stanza (per esempio, esposizione alla luce solare).
- Si può regolare la temperatura interna del frigorifero, che varia a causa di questi fattori, utilizzando il pulsante di impostazione.
- I numeri della manopola di controllo indicano i valori di temperatura in "°C".
- Se la temperatura ambiente è 25 °C, consigliamo di usare la manopola di controllo della temperatura del frigorifero sulla posizione 4°C. Questo valore può essere aumentato o diminuito come richiesto da altre temperature ambientali.

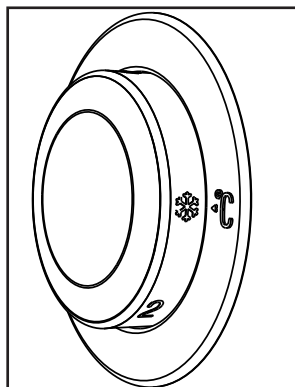


5.2. Congelamento rapido

Se è necessario congelare grosse quantità di alimenti freschi, portare la manopola di controllo (❄️) sulla posizione max. 24 ore prima di mettere gli alimenti freschi nello scomparto di congelamento rapido.

Si consiglia di tenere la manopola in questa posizione per almeno 24 ore per congelare la quantità massima di cibo fresco riportata come capacità di congelamento. Fare attenzione a non mescolare cibi congelati e cibi freschi.

Ricordare di riportare la manopola di controllo della temperatura sulla posizione precedente quando gli alimenti si sono congelati.



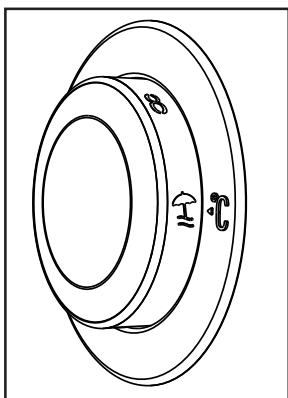
Utilizzo del frigorifero

5.3. Funzione assenza

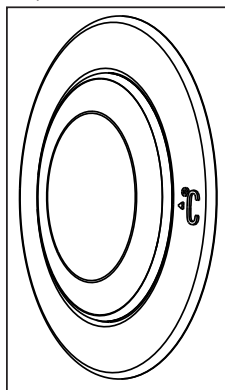
Se gli sportelli dell'apparecchio non sono aperti per 12 ore dopo il posizionamento della manopola di controllo della temperatura sulla posizione più alta, allora si attiva automaticamente la funzione assenza.

Per annullare questa funzione, modificare l'impostazione della manopola.

Non si consiglia di conservare alimenti nello scomparto più freddo quando è attiva la funzione assenza.



- Quando l'operazione di impostazione è completa, si può premere la manopola di controllo della temperatura e nascondersela.

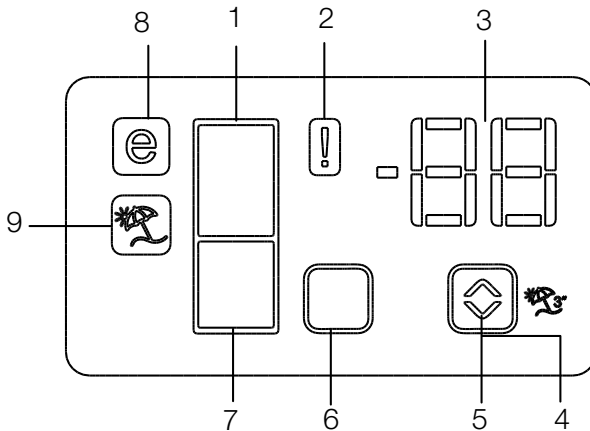


Utilizzo del frigorifero

5.4. Pannello dei comandi

I pannelli degli indicatori possono variare secondo il modello del prodotto.

Il pannello degli indicatori aiuta ad usare il frigorifero con le relative funzioni audio e visive.



1. Indicatore scomparto frigo
2. Indicatore stato errore
3. Indicatore temperatura
4. Tasto Vacation
5. Tasto di impostazione della temperatura
6. Pulsante di selezione dello scomparto
7. Indicatore scomparto freezer
8. Indicatore modalità risparmio
9. Indicatore funzione vacanza

***Facoltativo:**



*Opzionale: Le figure in questo manuale utente sono schematiche, e potrebbero non corrispondere esattamente al prodotto. Qualora il prodotto non contenga le parti descritte, l'informazione riguarda altri modelli.

Utilizzo del frigorifero

1. Indicatore scomparto frigo

La luce dello scomparto frigo si accende quando si regola la temperatura dello scomparto frigo.

2. Indicatore stato errore

Se il frigo non raffredda in modo adeguato o se c'è un guasto ai sensori, questo indicatore sarà attivato. Quando questo indicatore è attivo, l'indicatore della temperatura dello scomparto freezer visualizza "E" e l'indicatore della temperatura dello scomparto frigo visualizza numeri come "1,2,3...". Questi numeri sull'indicatore forniscono informazioni sull'errore al personale dell'assistenza.

3. Indicatore temperatura

Indica le temperature di scomparto frigo e freezer.

4. Pulsante Vacation

Tenere premuto questo pulsante per 3 secondi per attivare la funzione assenza. Premere di nuovo questo pulsante per disattivare la funzione selezionata.

5. Pulsante di impostazione della temperatura

Cambia la temperatura dello scomparto pertinente tra -24°C... -18°C e 8°C...1°C.

6. Scomparto frigo

Premere il pulsante di selezione scomparto frigo per passare tra gli scomparti frigo e freezer.

7. Indicatore scomparto freezer

La luce dello scomparto freezer si accende quando si regola la temperatura dello scomparto freezer.

8. Indicatore modalità Economy

Indica che il frigorifero è in funzione in modalità a risparmio energetico. Questo indicatore si attiva se la temperatura dello scomparto freezer è impostata su -18 °C.

9. Indicatore funzione vacanza

Indica che la funzione vacanza è attiva.

Utilizzo del frigorifero

La funzione di risparmio energetico è attivata al momento della consegna della fabbrica e non può essere annullata.

3. Funzione Quick Fridge

Questo pulsante ha due funzioni. Per attivare o disattivare la funzione Quick Cool premendolo brevemente. L'indicatore Quick Cool si spegnerà e l'apparecchio tornerà alle sue normali impostazioni. (●🔌)



Usare la funzione Quick Cool quando si desidera raffreddare velocemente gli alimenti posti nello scomparto frigo. Se è necessario raffreddare grandi quantità di cibo fresco, attivare questa funzione prima di inserire il cibo nel frigo.



Se non si annulla manualmente, la funzione Quick Cool si annullerà automaticamente dopo 8 ore o quando lo scomparto frigo ha raggiunto la temperatura richiesta.



Premendo il pulsante Quick Cool ripetutamente a brevi intervalli, il compressore non comincerà a funzionare immediatamente, in quanto il sistema di protezione del circuito elettronico sarà attivato.



Questa funzione non viene richiamata quando l'alimentazione si ripristina dopo un'assenza di corrente.

4. Pulsante di impostazione temperatura scomparto frigo

Premere questo pulsante per impostare la temperatura dello scomparto frigo rispettivamente su 8, 7,6, 5,4,3, 2, 8...
Premere questo pulsante per impostare la temperatura desiderata per lo scomparto frigo. (🔌)

5. Funzione assenza

Per attivare la funzione assenza, premere questo pulsante (🔌) per 3 secondi e l'indicatore della modalità Vacation (🌞) si attiva. Quando la funzione assenza è attiva, “-” si visualizza sull'indicatore della temperatura dello scomparto frigo e non viene eseguito il raffreddamento attivo nello scomparto frigo. Non si possono conservare gli alimenti nello scomparto frigo quando questa funzione è attivata. Gli altri scomparti saranno ancora raffreddati secondo la loro temperatura impostata.

Per annullare questa funzione, premere di nuovo il pulsante della **funzione assenza**.

6. Avvertenza disattivazione allarme:

In caso di allarme per assenza di alimentazione/elevata temperatura, dopo aver controllato gli alimenti che si trovano nello scomparto freezer, premere il pulsante di disattivazione allarme (🔌) per annullare l'allarme.

7. Blocco tasti


Premere il pulsante di blocco tasti (🔌) contemporaneamente per 3 secondi. Simbolo blocco tasti

(🔌) si accende e si attiva la modalità blocco tasti. I pulsanti non funzionano quando è attiva la modalità blocco tasti. Premere di nuovo il pulsante di blocco tasti per 3 secondi. Il simbolo del blocco tasti si spegne e si esce dalla modalità blocco tasti.


Premere il pulsante **blocco tasti** se si desidera impedire la modifica dell'impostazione di temperatura del frigorifero (🔌).

Utilizzo del frigorifero


8. Eco Fuzzy

Tenere premuto il pulsante Eco Fuzzy per 1 secondo per attivare la funzione Eco Fuzzy. Se viene attivata questa funzione, il frigo comincia a funzionare con la modalità più economica minimo 6 ore dopo e l'indicatore di uso economico si accende (). Tenere premuto il pulsante Eco Fuzzy per 3 secondi per disattivare la funzione Eco Fuzzy. Questo indicatore si accende dopo 6 ore quando si attiva la funzione Eco Fuzzy.

9. Pulsante di impostazione temperatura scomparto freezer

Premere questo pulsante per impostare la temperatura dello scomparto freezer a -18, -19, -20, -21, -22, -23, -24, -18..., rispettivamente. Premere questo pulsante per impostare la temperatura desiderata per lo scomparto freezer. ()


10. Indicatore disattivazione Icematic

Indica se Icematic è attivo o disattivato. () Se è attivo, l'Icematic non è in funzione. Per attivare di nuovo l'Icematic tenere premuto il pulsante On-Off per 3 secondi.



Il flusso dell'acqua dal serbatoio dell'acqua si arresta quando viene selezionata questa funzione. Il ghiaccio preparato in precedenza, però, può essere prelevato da Icematic.

11. Pulsante funzione Quick Freeze/ Pulsante Icematic on-off

Premere questo pulsante per attivare o disattivare la funzione Quick Freeze. Quando si attiva la funzione, lo scomparto freezer viene raffreddato a una temperatura inferiore rispetto a quella impostata. ()

Per attivare e disattivare l'Icematic, tenerlo premuto per 3 secondi.



Usare la funzione Quick Freeze quando si desidera congelare velocemente gli alimenti posti nello scomparto frigo. Se è necessario congelare grandi quantità di cibo fresco, attivare questa funzione prima di inserire il cibo nel frigo.




Se non si annulla manualmente, la funzione Quick Freeze si annullerà automaticamente dopo 4 ore o quando lo scomparto frigo ha raggiunto la temperatura richiesta.



Questa funzione non viene richiamata quando l'alimentazione si ripristina dopo un'assenza di corrente.

12. Indicatore uso economico

Indica che l'apparecchio è in funzione in modalità a risparmio energetico. () Questo indicatore sarà attivo se la temperatura dello scomparto freezer è impostata su -18 o se il raffreddamento a risparmio energetico è attivo grazie alla funzione Eco-Extra.



L'indicatore dell'uso economico si spegne quando sono selezionate le funzioni Quick Cool o Quick Freeze.

Utilizzo del frigorifero

5.6. Secchiello del ghiaccio

(Questa funzione è opzionale)

- Estrarre il secchiello del ghiaccio dallo scomparto freezer.
- Riempire di acqua il secchiello del ghiaccio.
- Mettere il secchiello del ghiaccio nello scomparto freezer.
- Il ghiaccio sarà pronto dopo due ore circa. Estrarre il secchiello del ghiaccio dallo scomparto freezer e piegarlo delicatamente sul contenitore in cui sarà servito il ghiaccio. Il ghiaccio si versa facilmente nel contenitore.

5.7. Scomparto per le uova

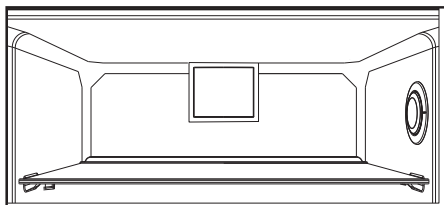
È possibile installare il porta uova sul ripiano desiderato della porta o del corpo.

Non porre mai il porta uova nello scomparto del freezer

5.8. Ventola

La ventola è stata concepita per garantire la circolazione dell'aria fredda all'interno del frigorifero in modo omogeneo. Il tempo di funzionamento della ventola potrebbe variare a seconda delle caratteristiche dell'apparecchio.

Se in alcuni apparecchi la ventola funziona solo con il compressore, in altri il sistema di controllo determina il tempo di funzionamento sulla base dell'esigenza di raffreddamento.



5.9. Cestino per verdure

(Questa funzione è opzionale)

- Il cestino per verdure dell'apparecchio è concepito per mantenere le verdure fresche, conservando l'umidità. A questo scopo, la circolazione complessiva dell'aria fredda è più intensa nel cestino delle verdure.

5.10. Scomparto zero gradi

(Questa funzione è opzionale)

Usare questo scomparto per conservare i prodotti di gastronomia a temperatura inferiore o la carne per il consumo immediato.

Lo scomparto zero gradi è la parte più fredda in cui conservare a condizioni ideali alimenti come prodotti caseari, carne, pesce e pollo. Verdura e/o frutta non devono essere conservate in questo scomparto.

Utilizzo del frigorifero

5.11. Ripiano mobile sportello

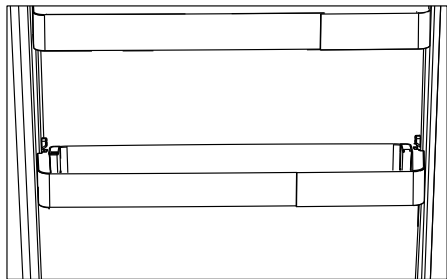
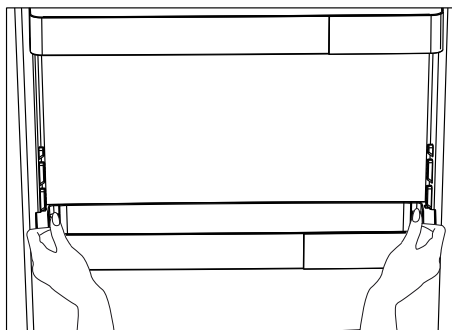
(Questa funzione è opzionale)

Il ripiano mobile dello sportello può essere fissato in 3 diverse posizioni.

Per spostare il ripiano, premere in modo uniforme i pulsanti ai lati. Il ripiano può essere spostato.

Spostare il ripiano verso l'alto o verso il basso.

Quando il ripiano è nella posizione desiderata, rilasciare i pulsanti. Il ripiano si fissa di nuovo nella posizione in cui sono stati rilasciati i pulsanti.

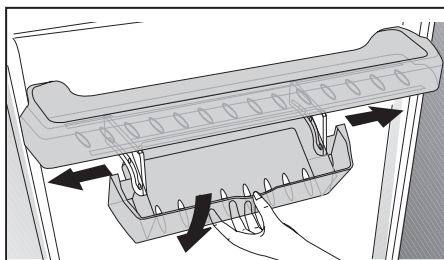


5.12. Scomparto scorrevole per la conservazione

(Questa funzione è opzionale)

Questo accessorio è progettato per accrescere il volume dei ripiani dello sportello.

Grazie alla sua capacità di spostarsi lateralmente, consente di posizionare facilmente bottiglie lunghe, barattoli o contenitori che vengono posti nella rastrelliera per bottiglie sotto.



Utilizzo del frigorifero

5.13. Cestino per verdure a umidità controllata

(Questa funzione è opzionale)

Con la funzione di controllo dell'umidità, i tassi di umidità di verdura e frutta sono tenuti sotto controllo e assicurano un periodo di freschezza più lungo per gli alimenti.

Si raccomanda di conservare le verdure a foglia come lattuga e spinaci e verdure simili che rischiano la perdita di umidità non sulle radici ma in posizione orizzontale nel cestino per le verdure, per quanto possibile.

Quando si posizionano le verdure, mettere le verdure pesanti e dure sul fondo e quelle leggere e morbide sopra, tenendo conto del peso specifico delle verdure.

Non lasciare le verdure nel cestino nei sacchetti di plastica.

Lasciarle nei sacchetti di plastica provoca in breve tempo il deterioramento delle verdure. In situazioni in cui non si consiglia il contatto con le altre verdure, utilizzare materiali di imballaggio come carta con una certa porosità per motivi di igiene.

Non mettere frutta con elevata emissione di gas etilene come pere, albicocche, pesche e in particolare mele nello stesso cestino di verdure con altra verdura e frutta. Il gas etilene che fuoriesce da questi frutti potrebbe provocare all'altra frutta e verdura una maturazione e un deterioramento più veloci.

5.14. Macchina del ghiaccio automatica

(Questa funzione è opzionale)

La macchina del ghiaccio automatica consente di preparare facilmente il ghiaccio nel frigorifero. Per ottenere ghiaccio dalla macchina, estrarre il serbatoio dell'acqua nello scomparto Cooler, riempirlo con acqua e riposizionarlo.

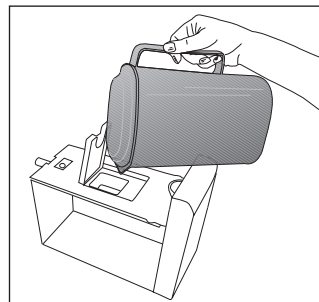
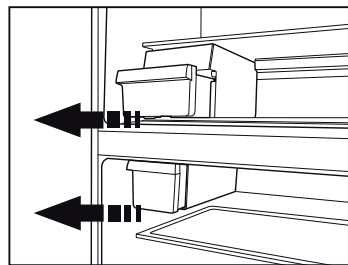
Il primo ghiaccio sarà pronto in circa 2 ore nel cassetto della macchina che si trova nello scomparto Cooler.

Dopo aver posizionato il serbatoio pieno dell'acqua, si possono ottenere circa 60-70 cubetti di ghiaccio finché non si svuota del tutto.

Se l'acqua è nel serbatoio da 2-3 settimane, deve essere cambiata.



Nei prodotti dotati di macchina del ghiaccio automatica, si potrebbe sentire un suono quando si versa il ghiaccio. Questo suono è normale e non è un segno di guasto.



Utilizzo del frigorifero

5.15. Icematic e contenitore per conservare il ghiaccio

Uso di Icematic

(Questa funzione è opzionale)

* Riempire Icematic con acqua e metterlo in sede. Il ghiaccio sarà pronto in due ore circa. Non rimuovere l'Icematic dalla sua sede per prendere il ghiaccio.

* Ruotare le manopole in senso orario per 90 gradi.

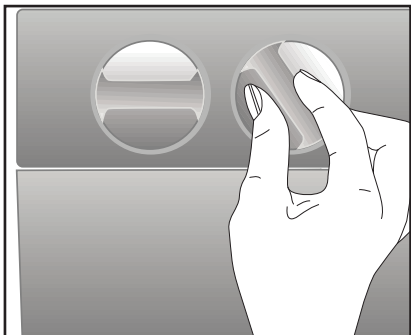
I cubetti di ghiaccio cadono nel contenitore per la conservazione del ghiaccio sotto.

* È possibile estrarre il contenitore per la conservazione del ghiaccio e servire i cubetti.

* Se lo si desidera, è possibile lasciare i cubetti nel contenitore per la conservazione del ghiaccio.

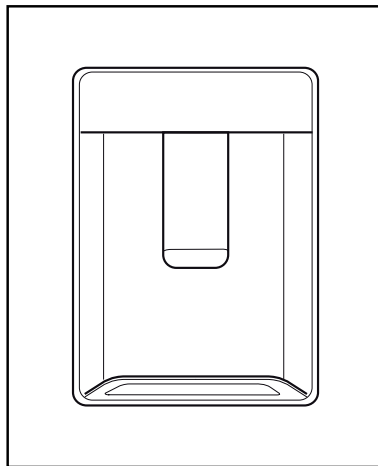
Contenitore per la conservazione del ghiaccio

Il contenitore per la conservazione del ghiaccio ha solo lo scopo di conservare i cubetti di ghiaccio. Non inserirvi dell'acqua, Altrimenti si romperà.



5.16. Erogatore d'acqua (in alcuni modelli)

L'erogatore dell'acqua è una funzione molto utile per ottenere acqua fredda senza aprire lo sportello del frigorifero. Dal momento che non bisogna aprire con frequenza lo sportello del frigorifero, si risparmia energia.



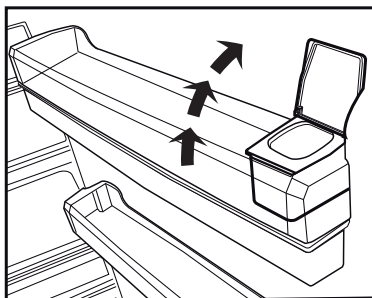
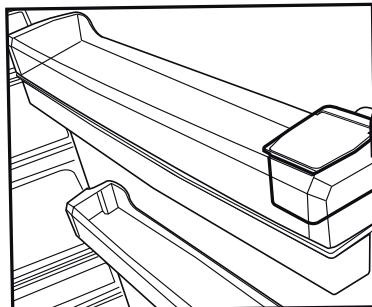
Utilizzo del frigorifero

5.17. Uso dell'erogatore d'acqua

Premere il braccio dell'erogatore d'acqua col bicchiere. L'erogatore smette di erogare quando viene rilasciato il braccio.

Quando si usa l'erogatore dell'acqua, il flusso massimo può essere ottenuto premendo completamente il braccio. Ricordare che la quantità del flusso dall'erogatore è soggetta al livello di pressione sul braccio.

Quando il livello dell'acqua nel bicchiere/nel contenitore aumenta, diminuire leggermente la pressione sul braccio per evitare traboccamento. Se si preme delicatamente il braccio, l'acqua gocciola; questo è normale e non è un guasto.



Riempimento del serbatoio dell'erogatore d'acqua

Il serbatoio per il riempimento dell'acqua si trova all'interno della rastrelliera dello sportello. Aprire il coperchio del serbatoio e riempire di acqua potabile pulita. E poi chiudere il coperchio.

Avvertenza!

- Non riempire il serbatoio d'acqua con liquidi diversi dall'acqua, come succhi di frutta, bevande gassate o bevande alcoliche che non sono adatte per essere usate nell'erogatore d'acqua. L'erogatore d'acqua si danneggerebbe in modo irreparabile a causa dell'uso di questi liquidi. La garanzia non copre tali usi. Alcune sostanze chimiche e alcuni additivi contenuti in questo tipo di bevande/liquidi possono danneggiare il materiale del serbatoio d'acqua.
- Usare solo acqua potabile pulita e pura.
- La capacità del serbatoio dell'acqua è 3 litri; non riempire oltre.

Utilizzo del frigorifero

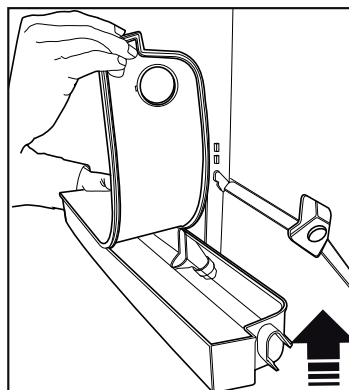
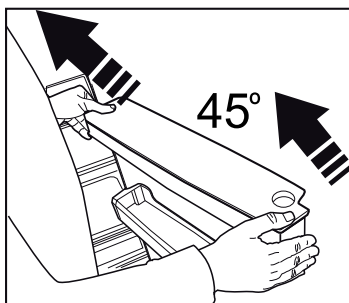
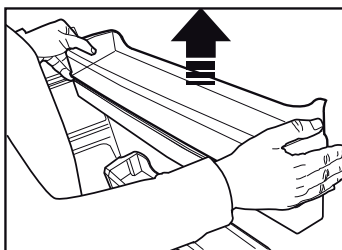
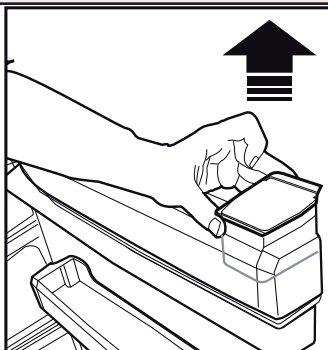
- Premere il braccio dell'erogatore d'acqua con un bicchiere rigido. Se si usano bicchieri di plastica usa e getta, spingere il braccio con le dita da dietro il bicchiere.

5.18. Pulizia del serbatoio dell'acqua

- Rimuovere il serbatoio di riempimento dell'acqua dalla rastrelliera interna dello sportello.
- Rimuovere la rastrelliera tenendo da entrambi i lati.
- Afferrare il serbatoio dell'acqua da entrambi i lati e rimuoverlo con un angolo di 45°C.
- Pulire il serbatoio dell'acqua rimuovendone il coperchio.

Importante:

I componenti del serbatoio dell'acqua e dell'erogatore dell'acqua non devono essere lavati in lavastoviglie.



Utilizzo del frigorifero

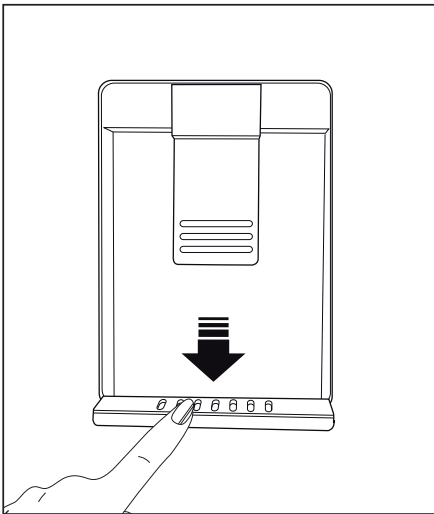
5.19. Vaschetta per l'acqua

L'acqua che sgocciola durante l'uso dell'erogatore si accumula nell'apposita vaschetta.

Estrarre la vaschetta in plastica come mostrato nella figura.

Con un panno asciutto e pulito, rimuovere l'acqua accumulata.

ATTENZIONE: Collegare solo ad una linea di acqua potabile.



Utilizzo del frigorifero

Impostazione Scomparto Congelatore	Impostazione Scomparto Frigorifero	Descrizioni
-18°C	4°C	Questa è l'impostazione predefinita è consigliata.
-20,-22 o -24°C	4°C	Queste impostazioni sono consigliate per temperature ambiente che superano i 30°C.
Congelamento rapido	4°C	Servirsi di questa opzione per congelare alimenti in un breve lasso di tempo; il dispositivo tornerà alle impostazioni precedenti al termine del processo.
-18°C o inferiore	2°C	Servirsi di queste impostazioni qualora si ritenga che lo scomparto frigorifero non sia abbastanza freddo a causa della temperatura ambiente o a causa delle frequenti aperture della porta.

5.20.Consigli per conservare alimenti surgelati

Lo scomparto deve essere impostato a una temperatura minima di -18°C.

1. Collocare gli alimenti all'interno del congelatore quanto più rapidamente possibile per evitare che si scongelino.
2. Prima del congelamento, verificare la "data di scadenza" sulla confezione per accertarsi del fatto che il prodotto non sia scaduto.
3. Accertarsi che la confezione dell'alimento non sia danneggiata.

5.21.Dettagli congelatore

Conformemente agli standard IEC 62552, il congelatore deve avere la capacità di congelare 4,5 chili di alimenti a una temperatura di -18°C o inferiore, in 24 ore, per ogni 100 l di volume di scomparto di congelamento. Gli alimenti possono essere preservati solo per lunghi periodi di tempo a temperature uguali o inferiori a -18°. Sarà possibile conservare gli alimenti freschi per mesi, all'interno del congelatore a temperature uguali o inferiori a -18°).

Gli alimenti da congelare non devono entrare in contatto con gli altri alimenti già congelati all'interno del congelatore, per evitare uno scongelamento parziale.

Bollire le verdure filtrare l'acqua per estendere il tempo di conservazione congelato. Collocare gli alimenti in sacchetti ermetici, dopo aver eseguito il filtraggio e il posizionamento all'interno del congelatore. Banane, pomodori, lattuga, sedano, uova bollite, patate e altri alimenti simili non dovrebbero essere congelati. Congelando questi alimenti se ne ridurrà il valore nutrizionale e la qualità alimentare; i prodotti si potrebbero inoltre rovinare, il che causa problemi a livello di salute.

Utilizzo del frigorifero

5.22. Posizionamento degli alimenti

Ripiani dello scomparto congelatore	Vari alimenti congelati quali ad esempio carne, pesce, gelato, verdura, eccetera.
Ripiani dello scomparto frigorifero	Alimenti all'interno di pentole, vassoi e contenitori, uova, all'interno di una confezione
Ripiani della porta scomparto frigorifero	Piccoli alimenti o bevande
Cassetto verdura	Frutta e verdura
Scomparto alimenti freschi	Prodotti gastronomici, ad esempio colazione, carne da consumare a breve

5.23. Avvertenza sportello aperto (Questa funzione è opzionale)

Un segnale di avvertenza audio viene emesso quando lo sportello dell'apparecchio viene lasciato aperto per almeno 1 minuto. Questa avvertenza scompare quando lo sportello viene chiuso o se viene premuto uno dei pulsanti del display (se presenti).

5.24. Cambiare la lampadina di illuminazione

Per cambiare lampadina/LED utilizzati per illuminare il frigorifero, rivolgersi al Servizio Assistenza Autorizzato.

La lampada (le lampade) usata (usate) nell'apparecchiatura non è (sono) adatta (adatte) per l'illuminazione domestica. L'obiettivo previsto per questa lampada è quello di assistere l'utente in fase di posizionamento degli alimenti all'interno del frigorifero / congelatore in modo sicuro e comodo.

Pulendo il prodotto a intervalli regolari sarà possibile prolungare la durata di vita.



AVVERTENZA: Scollegare il frigorifero dalla corrente prima di eseguire la pulizia.

- Non usare strumenti appuntiti e abrasivi, sapone, materiali per pulire la casa, detersivi, gas, gasolio, vernice e sostanze simili per gli interventi di pulizia.
- Sciogliere un cucchiaino di bicarbonato in acqua. Ammorbidire un panno in acqua, quindi strizzarlo. Pulire il dispositivo con questo panno, quindi asciugare completamente.
- Fare attenzione a tenere lontana l'acqua dalla copertura delle lampade dalle altre componenti elettriche.
- Pulire la porta con un panno bagnato. Togliere tutti gli elementi all'interno per staccare la porta ed i ripiani del telaio. Sollevare i ripiani della porta verso l'alto per poterli rimuovere. Pulire e asciugare i ripiani, poi fissare nuovamente in posizione facendo scorrere da sopra.
- Non usare acqua cronica o prodotti detersivi sulla superficie esterna del dispositivo e sulle componenti rivestite in cromo del prodotto. Il cloro provoca ruggine su queste superfici metalliche.

6.1. Evitare i cattivi odori

Il prodotto è stato realizzato senza materiali che mettono cattivi odori. Osservare tuttavia gli alimenti in sezioni non adeguate e pulire le superfici interne in modo non consono potrebbe provocare cattivi odori.

A tal fine consigliamo di pulire l'interno con acqua gassata ogni 15 giorni.

- Tenere gli alimenti in contenitori sigillati. I microrganismi potrebbero fuoriuscire dagli alimenti non sigillati causando così cattivi odori.
- Non conservare alimenti scaduti e marci all'interno del frigorifero.

- Non usare strumenti affilati e abrasivi o sapone, agenti detersivi domestici, detersivi, gasolio, benzene, cera, ecc., altrimenti le indicazioni sulle parti in plastica si toglieranno e si verificherà deformazione. Usare acqua tiepida e un panno morbido unicamente per le operazioni di pulizia e asciugatura.

6.2. Protezione delle superfici in plastica

L'olio rovesciato sulle superfici in plastica potrebbe danneggiare la superficie, e deve essere pulito immediatamente servendosi di acqua tiepida.

7 Risoluzione dei problemi

Controllare questo elenco prima di contattare l'assistenza clienti. Questa operazione vi consentirà di risparmiare soldi. Questo elenco contiene le lamentele più frequenti che non riguardano problemi a livello di manodopera o materiali. Alcune funzioni qui indicate potrebbero non essere valide per il vostro prodotto.

Il frigorifero non funziona.

- La presa di corrente non è stata inserita correttamente. >>> Spingerla fino a inserirla completamente nella presa.
- Il fusibile collegato alla presa che alimenta il prodotto, oppure il fusibile principale, è bruciato. >>> Controllare i fusibili.

Condensa sulla parete laterale dello scomparto frigorifero (MULTI ZONE, COOL, CONTROL e FLEXI ZONE).

- La porta viene aperta troppo spesso >>> Fare attenzione a non aprire eccessivamente la porta del dispositivo.
- L'ambiente è troppo umido. >>> Non installare il prodotto in ambienti umidi.
- Gli alimenti che contengono liquidi vengono conservati in contenitori non sigillati. >>> Tenere gli alimenti in contenitori sigillati.
- La porta viene lasciata aperta. >>> Non tenere aperte a lungo le porte del frigorifero.
- Il termostato è impostato su una temperatura troppo bassa. >>> Impostare il termostato su una temperatura adeguata.

Il compressore non funziona.

- In caso di improvviso black out, o nel caso in cui la spina venga tolta e poi reinserita, la pressione del gas nel sistema di raffreddamento del dispositivo non è equilibrata, il che fa scattare la protezione termica del compressore. Il dispositivo si riavvierà dopo circa 6 minuti. Qualora il prodotto non si riavvia dopo questo periodo, contattare l'assistenza.
- La modalità di scongelamento è attiva. >>>> Si tratta di una condizione normale per un frigorifero con funzione di sbrinamento completamente automatica. Lo sbrinamento avviene a intervalli periodici.
- Il prodotto non è collegato. >>> Verificare che il cavo di alimentazione sia collegato.
- L'impostazione di temperatura non è corretta. >>> Selezionare l'impostazione di temperatura adeguata.
- Assenza di corrente. >>> Il prodotto continuerà a funzionare normalmente quando viene ripristinata la corrente elettrica.

Il rumore di funzionamento del frigorifero aumenta col passare del tempo.

- Le prestazioni operative del prodotto possono variare a seconda delle variazioni di temperatura ambiente. Questa non è un'anomalia di funzionamento.

Il frigorifero funziona troppo spesso o troppo lungo.

Risoluzione dei problemi

- Il nuovo prodotto potrebbe essere più grande di quello precedente. I prodotti più grandi funzioneranno più a lungo.
- La temperatura ambiente potrebbe essere alta. >>> Il prodotto funzionerà normalmente per lunghi periodi di tempo con temperature superiori.
- Il prodotto potrebbe essere stato di recente collegato alla corrente, oppure al suo interno potrebbero essere stati recentemente aggiunti vari alimenti. >>> Allo prodotto servirà più tempo per raggiungere la temperatura impostata, se collegato di recente, oppure nel caso in cui vengano collocati nuovi elementi al suo interno, Non si tratta di un'anomalia.
- Forse di recente sono state introdotte nel frigorifero grandi quantità di alimenti caldi. >>> Non mettere alimenti caldi direttamente dentro al frigorifero.
- Le porte sono state aperte frequentemente o tenute aperte a lungo. >>> L'aria calda che si muove all'interno provocherà un funzionamento più lungo. Non aprire le porte con troppa frequenza.
- Le porte del congelatore o del frigorifero potrebbero essere socchiuse. >>> Controllare che le porte siano totalmente chiuse.
- Il prodotto potrebbe essere impostato su una temperatura troppo bassa, >>> Impostare la temperatura su un livello più alto e attendere che il prodotto raggiunga la temperatura desiderata.
- La rondella della porta del frigorifero del congelatore potrebbe essere sporca, usurata, rotta o non correttamente configurata, >>> Pulire e sostituire la rondella. Le rondelle consumate e usurate faranno funzionare il prodotto più a lungo per conservare la temperatura attuale.

La temperatura del congelatore è molto bassa, ma la temperatura del frigorifero è corretta.

- La temperatura dello scomparto congelatore è impostata su un livello molto basso, >>> Impostare la temperatura dello scomparto congelatore su un livello più alto, quindi eseguire un controllo.

La temperatura del frigorifero è molto bassa, ma la temperatura del congelatore è corretta.

- La temperatura dello scomparto frigorifero è impostata su un livello molto basso, >>> Impostare la temperatura dello scomparto frigorifero su un livello più alto, quindi eseguire un controllo.

Gli alimenti conservati nei cassetti dello scomparto frigorifero sono congelati.

- La temperatura dello scomparto frigorifero è impostata su un livello molto basso, >>> Impostare la temperatura dello scomparto congelatore su un livello più alto, quindi eseguire un controllo.

La temperatura nel vano frigorifero e congelatore è troppo alta.

- La temperatura dello scomparto frigorifero è impostata su un livello molto alto, >>> L'impostazione della temperatura dello scomparto frigorifero influenza la temperatura dello scomparto del congelatore. Modificare la temperatura dello scomparto congelatore o frigorifero e attendere che tutti gli scomparti interessati raggiungano il livello di temperatura impostata.
- Le porte sono state aperte frequentemente o tenute aperte a lungo. >>> Non aprire le porte con troppa frequenza.
- La porta potrebbe essere socchiusa. >>> Chiudere completamente la porta.
- Il prodotto potrebbe essere stato di recente collegato alla corrente, oppure al suo interno potrebbero essere stati recentemente aggiunti vari alimenti. >>> Non si tratta di un'anomalia. >>> Allo prodotto servirà più tempo per raggiungere la temperatura impostata, se collegato di recente, oppure nel caso in cui vengano collocati nuovi elementi al suo interno.
- Forse di recente sono state introdotte nel frigorifero grandi quantità di alimenti caldi. >>> Non mettere alimenti caldi direttamente dentro al frigorifero.

Vibrazioni o rumore.

Risoluzione dei problemi

- Il pavimento non è in piano o resistente. >>> Se il prodotto vibra, quando viene spostato lentamente, regolare i supporti per equilibrare il prodotto. Verificare inoltre che la superficie di appoggio sia sufficientemente resistente per supportarne il peso.
- Gli eventuali oggetti collocati sul prodotto potrebbero essere fonte di rumore. >>> Togliere gli eventuali elementi collocati sul prodotto.

Il prodotto emette rumori, come ad esempio liquido che scorre, spruzzo, eccetera

- I principi operativi del prodotto prevedono la presenza di flussi di liquidi e flussi di gas. >>> Questa non è un'anomalia di funzionamento.

C'è un rumore, simile a un soffio, che proviene dal prodotto.

- Il prodotto si serve di una ventola per il processo di raffreddamento. Questa non è un'anomalia di funzionamento.

Si è formata condensa sulle pareti interne del dispositivo.

- Le condizioni meteo calde o umide aumentano la formazione di ghiaccio e di condensa. Questa non è un'anomalia di funzionamento.
- Le porte sono state aperte frequentemente o tenute aperte a lungo. >>> Non aprire le porte con troppa frequenza; se la porta è aperta, chiuderla.
- La porta potrebbe essere socchiusa. >>> Chiudere completamente la porta.

Si è formata condensa sulla superficie esterna del dispositivo o fra le porte.

- Le condizioni ambientali potrebbero essere umide, e ciò è normale. >>> La condensa si dissipa quando l'umidità viene ridotta.

L'interno emette cattivi odori.

- Il prodotto non viene pulito regolarmente. >>> Pulire la superficie interna a intervalli regolari servendosi di spugna, acqua tiepida, e acqua gassata.
- Alcuni contenitori e imballaggi potrebbero emettere cattivi odori. >>> Servirsi di supporti imballaggi che non emettano cattivi odori.
- Gli alimenti sono stati collocati all'interno di contenitori non sigillati. >>> Tenere gli alimenti in contenitori sigillati. I microrganismi potrebbero fuoriuscire dagli alimenti non sigillati causando così cattivi odori.
- Rimuovere gli eventuali alimenti scaduti o rovinati dal dispositivo.

La porta non si chiude correttamente.

- Le confezioni di cibo potrebbero bloccare la porta. >>> Trovare una nuova posizione per gli alimenti che bloccano le porte.
- Il prodotto non è in posizione verticale, appoggiato per terra. >>> Regolare i supporti per l'equilibrio del prodotto.
- Il pavimento non è in piano o resistente. >>> Verificare inoltre che la superficie di appoggio sia sufficientemente resistente per supportarne il peso.

Il cassetto verdura si è inceppato.

- Gli alimenti potrebbero entrare in contatto con la sezione superiore cassetto. >>> Ri-organizzare gli alimenti nel cassetto.



AVVERTENZA: Qualora il problema persista dopo aver seguito le istruzioni contenute in questa selezione, contattare il proprio fornitore oppure un Servizio Autorizzato. Evitare in ogni caso di riparare il prodotto.



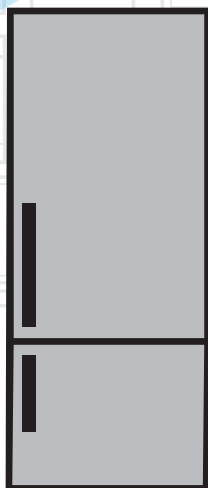
57 5538 0000/AU
2/5
FL-SL-IT



www.beko.com

Refrigerator

User manual



RCNE520E32X
RCNE520E31DW
RCNE520E31DS
RCNE520E31W

RCNE520E31S
RCNE520K21DS
RCNE520K21DW
RCNE520E41ZX

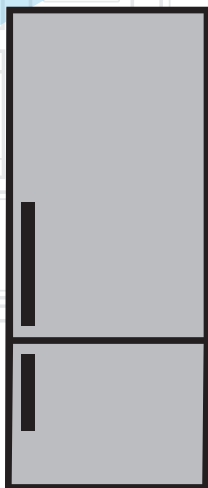
RCNE520E32DJX
RCNE520E30JGB

EL | HULT

beko

Ψυγείο

Εγχειρίδιο Χρήστη






ELI


beko

- Αγαπητέ Πελάτη,
- Θα θέλαμε να έχετε τη μέγιστη απόδοση από το προϊόν μας, το οποίο κατασκευάστηκε σε μοντέρνες εγκαταστάσεις με σχολαστικούς ελέγχους ποιότητας.
- Για το σκοπό αυτό, διαβάστε πλήρως τις οδηγίες χρήσης πριν χρησιμοποιήσετε το προϊόν και φυλάξτε τις ως πηγή αναφοράς. Αν παραδώσετε το προϊόν σε άλλο άτομο, παραδώστε μαζί και αυτές τις οδηγίες.

Οι οδηγίες χρήσης διασφαλίζουν τη γρήγορη και ασφαλή χρήση του προϊόντος.

- Διαβάστε τις οδηγίες χρήσης πριν την εγκατάσταση και τη λειτουργία του προϊόντος.
 - Πάντα να τηρείτε τις εφαρμόσιμες οδηγίες ασφαλείας.
 - Να διατηρείτε τις οδηγίες χρήσης σε σημείο με εύκολη πρόσβαση, για μελλοντική χρήση.
 - Παρακαλούμε να διαβάστε και οποιαδήποτε άλλη τεκμηρίωση συνοδεύει το προϊόν.
 - Να έχετε υπόψη σας ότι αυτές οι οδηγίες χρήσης μπορεί να έχουν εφαρμογή σε περισσότερα από ένα μοντέλα του προϊόντος. Ο οδηγός υποδεικνύει με σαφήνεια τυχόν παραλλαγές των διάφορων μοντέλων.
- **Σύμβολα και παρατηρήσεις**
 - **Στις οδηγίες χρήσης χρησιμοποιούνται τα ακόλουθα σύμβολα:**

	Σημαντικές πληροφορίες και χρήσιμες συμβουλές.
	Κίνδυνος για τη ζωή και την περιουσία.
	Κίνδυνος ηλεκτροπληξίας.

	Η συσκευασία του προϊόντος είναι κατασκευασμένη από ανακυκλώσιμα υλικά σύμφωνα με την Εθνική νομοθεσία προστασίας του περιβάλλοντος.
---	--

Πίνακας περιεχομένων

1 Οδηγίες για την ασφάλεια και το περιβάλλον	3	5.11 Διαμέρισμα έντονης ψύξης	23
1.1. Γενική ασφάλεια.	3	5.12. Μπλε φως	23
1.1.1 Προειδοποίηση HC	5	5.13. Συρτάρι λαχανικών ελεγχόμενης υγρασίας	24
1.1.2 Για μοντέλα με διανομέα νερού.	5	5.14. Αυτόματο Icematic	24
1.2. Προβλεπόμενη χρήση	6	5.15 Περιγραφή και καθαρισμός του φίλτρου οσμών	25
1.3. Ασφάλεια των παιδιών.	6	5.16. Χρήση του διανομέα νερού	25
1.4. Συμμόρφωση με την Οδηγία περί ΑΗΕΕ και απόρριψη του προϊόντος στο τέλος της ωφέλιμης ζωής του.	6	5.17 Χρήση του διανομέα νερού.	26
1.5. Συμμόρφωση με την Οδηγία RoHS	7	5.18 Γέμισμα του δοχείου του διανομέα νερού.	26
1.6. Πληροφορίες για τη συσκευασία	7	5.19 Καθαρισμός του δοχείου νερού	27
3 Εγκατάσταση	9	5.20. Δίσκος συλλογής σταγόνων.	27
3.1. Σωστή θέση εγκατάστασης	9	5.21 Κατάψυξη νωπών τροφίμων	28
3.2. Τοποθέτηση των πλαστικών αποστατών	9	5.22 Υποδείξεις για τη φύλαξη κατεψυγμένων τροφίμων	28
3.3. Ρύθμιση των ποδιών	10	5.23. Λεπτομέρειες για τη βαθιά κατάψυξη	28
3.4. Σύνδεση ρεύματος	10	5.24. Τοποθέτηση των τροφίμων	29
3.5. Αντιστροφή της φοράς ανοίγματος των πορτών	11	5.25. Ειδοποίηση ανοικτής πόρτας (προαιρε.)	29
3.6. Αντιστροφή της φοράς ανοίγματος των πορτών	12	5.26 Εσωτερικό φως.	29
4 Προετοιμασία	13	6 Συντήρηση και καθαρισμός	30
4.1. Τι να κάνετε για εξοικονόμηση ενέργειας.	13	6.1. Αποτροπή δυσάρεστων οσμών.	30
4 Προετοιμασία	14	6.2. Προστασία των πλαστικών επιφανειών	30
4.2. Πρώτη χρήση.	14	6 Συντήρηση και καθαρισμός	31
5 Χρήση του προϊόντος	15	6.3. Τζάμια πόρτας	31
5.1. Κουμπί ρύθμισης θερμοκρασίας	15	7 Επίλυση προβλημάτων	32
5.2. Ταχεία κατάψυξη	15		
5.3. Λειτουργία Διακοπών	16		
5.4. Πίνακας ενδείξεων	17		
5.5. Πίνακας ενδείξεων	19		
5.7. Παγοθήκη.	22		
5.8. Αυγοθήκη.	22		
5.9. Ανεμιστήρας.	23		
5.10 Συρτάρι λαχανικών	23		

1 Οδηγίες για την ασφάλεια και το περιβάλλον

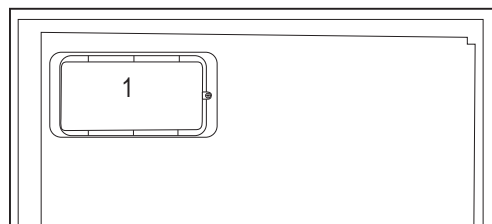
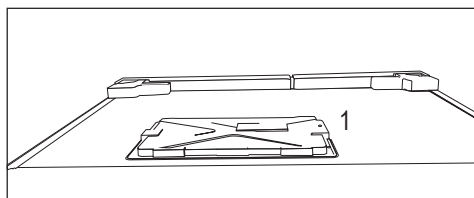
- Αυτή η ενότητα παρέχει τις οδηγίες ασφαλείας που είναι απαραίτητες για την αποτροπή κινδύνου τραυματισμού και υλικής ζημιάς. Η μη τήρηση αυτών των οδηγιών θα ακυρώσει κάθε τύπο εγγύησης του προϊόντος.

1.1. Γενική ασφάλεια

- Αυτό το προϊόν δεν πρέπει να χρησιμοποιείται από άτομα με μειωμένες σωματικές, αισθητηριακές και πνευματικές ικανότητες, από άτομα που δεν έχουν επαρκή γνώση και εμπειρία και από παιδιά. Η συσκευή αυτή μπορεί να χρησιμοποιείται από τέτοια άτομα υπό την επίβλεψη και καθοδήγηση ατόμου υπεύθυνου για την ασφάλειά τους. Δεν πρέπει να επιτρέπεται σε παιδιά να παίζουν με αυτή τη συσκευή.
- Σε περίπτωση δυσλειτουργίας, αποσυνδέστε τη συσκευή από την πρίζα.
- Μετά την αποσύνδεση της συσκευής από την πρίζα, περιμένετε τουλάχιστον 5 λεπτά πριν τη συνδέσετε πάλι. Αποσυνδέετε το προϊόν από την πρίζα όταν δεν χρησιμοποιείται. Μην αγγίζετε το φιν ρευματοληψίας με υγρά χέρια! Μην τραβάτε το καλώδιο για αποσύνδεση από την πρίζα, πάντα να τραβάτε μόνο το φιν.
- Σκουπίστε τους ακροδέκτες του φιν ρευματοληψίας με ένα στεγνό πανί πριν συνδέσετε το φιν στην πρίζα.
- Μη συνδέσετε το ψυγείο στην πρίζα, αν η πρίζα δεν είναι καλά στερεωμένη.
- Αποσυνδέετε το προϊόν πριν από εργασίες εγκατάστασης, συντήρησης, καθαρισμού και επισκευής.
- Αν το προϊόν δεν πρόκειται να χρησιμοποιηθεί για μεγάλο χρονικό διάστημα, αποσυνδέστε το από την πρίζα και αφαιρέστε όλα τα τρόφιμα από το εσωτερικό του.
- Μη χρησιμοποιείτε ατμό ή μέσα καθαρισμού που παράγουν ατμό για τον καθαρισμό του ψυγείου και την τήξη του πάγου στο εσωτερικό του. Ο ατμός μπορεί να έρθει σε επαφή με σημεία που βρίσκονται υπό τάση και να προκαλέσει βραχυκύκλωμα ή ηλεκτροπληξία!

Οδηγίες για την ασφάλεια και το περιβάλλον

- Μην πλένετε το προϊόν ψεκάζοντας ή χύνοντας νερό πάνω του! Κίνδυνος ηλεκτροπληξίας!
- Σε καμία περίπτωση μη χρησιμοποιήσετε το προϊόν αν είναι ανοικτό το τμήμα στο πάνω ή πίσω μέρος του προϊόντος που περιέχει τις πλακέτες τυπωμένων κυκλωμάτων (κάλυμμα τυπωμένων κυκλωμάτων) (1).

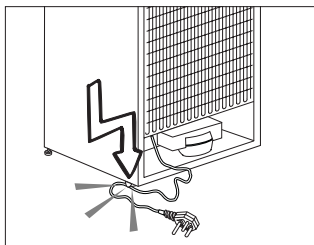


- Σε περίπτωση δυσλειτουργίας μη χρησιμοποιήσετε το προϊόν, γιατί κάτι τέτοιο θα μπορούσε να είναι αιτία ηλεκτροπληξίας. Πριν κάνετε οτιδήποτε απευθυνθείτε σε εξουσιοδοτημένο σέρβις.

- Συνδέστε το προϊόν σε πρίζα με γείωση. Η γείωση πρέπει να έχει γίνει από εξειδικευμένο ηλεκτρολόγο.
- Αν το προϊόν διαθέτει φωτισμό τύπου LED, απευθυνθείτε σε εξουσιοδοτημένο σέρβις για αντικατάσταση ή σε περίπτωση οποιουδήποτε προβλήματος.
- Μην αγγίζετε κατεψυγμένα τρόφιμα με υγρά χέρια! Μπορεί να κολλήσουν στα χέρια σας!
- Μην τοποθετείτε μέσα στο θάλαμο κατάψυξης υγρά σε μπουκάλια ή μεταλλικά κουτάκια. Μπορεί να σκάσουν!
- Τοποθετείτε τα δοχεία υγρών σε όρθια θέση με σφιχτά κλεισμένο το κάλυμμα.
- Μην ψεκάζετε εύφλεκτες ουσίες κοντά στο προϊόν, γιατί μπορεί να προκληθεί φωτιά ή έκρηξη.
- Μη διατηρείτε μέσα στο ψυγείο εύφλεκτα υλικά και προϊόντα που περιέχουν εύφλεκτο αέριο (σπρέι κλπ.).
- Μην τοποθετείτε πάνω στο προϊόν δοχεία που περιέχουν υγρά. Τυχόν πισσίλισμα νερού πάνω σε εξάρτημα υπό τάση μπορεί να προκαλέσει ηλεκτροπληξία και κίνδυνο φωτιάς.

Οδηγίες για την ασφάλεια και το περιβάλλον

- Η έκθεση του προϊόντος σε βροχή, χιόνι, ηλιακή ακτινοβολία και άνεμο θα προκαλέσει ηλεκτρικό κίνδυνο. Όταν αλλάζετε θέση στο προϊόν, μην το τραβήξετε από τη λαβή της πόρτας. Η λαβή μπορεί να αποκολληθεί.
- Προσέξτε να αποφύγετε την παγίδευση οποιουδήποτε τμήματος των χεριών ή του σώματός σας σε οποιοδήποτε από τα κινούμενα μέρη στο εσωτερικό του προϊόντος.
- Μην ανεβαίνετε και μη στηρίζετε στην πόρτα, τα συρτάρια και παρόμοια μέρη του ψυγείου. Κάτι τέτοιο θα προκαλέσει πτώση του προϊόντος και ζημιά στα μέρη της συσκευής.
- Προσέξτε να μην παγιδευτεί το καλώδιο ρεύματος.



1.1.1 Προειδοποίηση ΗC

- Αν το προϊόν περιλαμβάνει ψυκτικό σύστημα που χρησιμοποιεί το αέριο R600a, προσέξτε να αποφύγετε την

πρόκληση ζημιάς στο ψυκτικό σύστημα και στους σωλήνες τους όταν χρησιμοποιείτε και μεταφέρετε το προϊόν. Αυτό το αέριο είναι εύφλεκτο. Αν έχει υποστεί ζημιά το ψυκτικό σύστημα, κρατήστε το προϊόν μακριά από πηγές φλόγας ή σπινθήρες και αερίστε αμέσως το δωμάτιο.



Η ετικέτα στην εσωτερική αριστερή πλευρά υποδεικνύει τον τύπο αερίου που χρησιμοποιείται στο προϊόν.

1.1.2 Για μοντέλα με διανομέα νερού

- Η μέγιστη πίεση για την είσοδο κρύου νερού θα είναι 90 psi (6,2 bar). Αν η πίεση νερού υπερβαίνει τα 80 psi (5,5 bar), χρησιμοποιήστε μια βαλβίδα περιορισμού πίεσης στο σύστημα παροχής νερού σας. Αν δεν γνωρίζετε πώς να ελέγξετε την πίεση νερού, ζητήστε τη βοήθεια επαγγελματία υδραυλικού.
- Αν υπάρχει κίνδυνος φαινομένου υδραυλικού πλήγματος (απότομη μεταβολής πίεσης του νερού) στην εγκατάστασή σας,

Οδηγίες για την ασφάλεια και το περιβάλλον

- πάντα να χρησιμοποιείτε στην εγκατάσταση εξοπλισμό αποτροπής του υδραυλικού πλήγματος. Συμβουλευτείτε επαγγελματίες υδραυλικούς αν δεν είστε σίγουροι ότι δεν υπάρχει φαινόμενο υδραυλικού πλήγματος στην εγκατάστασή σας.
- Μην εγκαταστήσετε στην είσοδο ζεστού νερού. Λάβετε μέτρα προφύλαξης έναντι του κινδύνου να παγώσουν οι εύκαμπτοι σωλήνες. Η περιοχή θερμοκρασιών νερού λειτουργίας είναι από ελάχιστη 0,6 °C (33 °F) έως μέγιστη 38 °C (100 °F).
 - Να χρησιμοποιείτε μόνο πόσιμο νερό.
 - Να χρησιμοποιείτε μόνο πόσιμο νερό.

1.2. Προβλεπόμενη χρήση

- Αυτό το προϊόν έχει σχεδιαστεί για οικιακή χρήση. Δεν προορίζεται για επαγγελματική χρήση.
- Το προϊόν θα πρέπει να χρησιμοποιείται μόνο για τη φύλαξη τροφίμων και ποτών.
- Μη διατηρείτε μέσα στο ψυγείο ευαίσθητα προϊόντα που χρειάζονται ελεγχόμενες θερμοκρασίες (εμβόλια, φάρμακα ευαίσθητα στη

θερμοκρασία, ιατρικά υλικά κλπ.).

- Ο κατασκευαστής δεν αποδέχεται καμία ευθύνη για οποιαδήποτε ζημία λόγω κακής χρήσης ή κακής μεταχείρισης.
- Η ωφέλιμη διάρκεια ζωής του προϊόντος είναι 10 έτη. Για την περίοδο αυτή θα είναι διαθέσιμα τα ανταλλακτικά που είναι απαραίτητα για το προϊόν.

1.3. Ασφάλεια των παιδιών

- Κρατάτε τα υλικά συσκευασίας μακριά από τα παιδιά.
- Μην επιτρέπετε σε παιδιά να παίζουν με το προϊόν.
- Αν η πόρτα του προϊόντος περιλαμβάνει κλειδαριά, κρατάτε το κλειδί μακριά από παιδιά.

1.4. Συμμόρφωση με την Οδηγία περί ΑΗΕΕ και απόρριψη του προϊόντος στο τέλος της ωφέλιμης ζωής του

Αυτό το προϊόν συμμορφώνεται με την Οδηγία ROHS (περιορισμού χρήσης ορισμένων επικίνδυνων ουσιών) της ΕΕ (2012/19/ΕΕ).



Το προϊόν αυτό φέρει ένα σύμβολο ταξινόμησης για απόβλητα ηλεκτρικού και ηλεκτρονικού εξοπλισμού (ΑΗΕΕ). Αυτό το προϊόν έχει κατασκευαστεί με εξαρτήματα και υλικά υψηλής ποιότητας τα οποία μπορούν να

επαναχρησιμοποιηθούν και είναι κατάλληλα

Οδηγίες για την ασφάλεια και το περιβάλλον

για ανακύκλωση. Στο τέλος της ωφέλιμης ζωής του προϊόντος, μην το απορρίψετε μαζί με τα κανονικά οικιακά και άλλα απόβλητα.

Παραδώστε το σε κέντρο συλλογής για την ανακύκλωση ηλεκτρικού και ηλεκτρονικού εξοπλισμού. Για να μάθετε περισσότερα σχετικά με αυτά τα κέντρα συλλογής, απευθυνθείτε στις τοπικές σας αρχές.

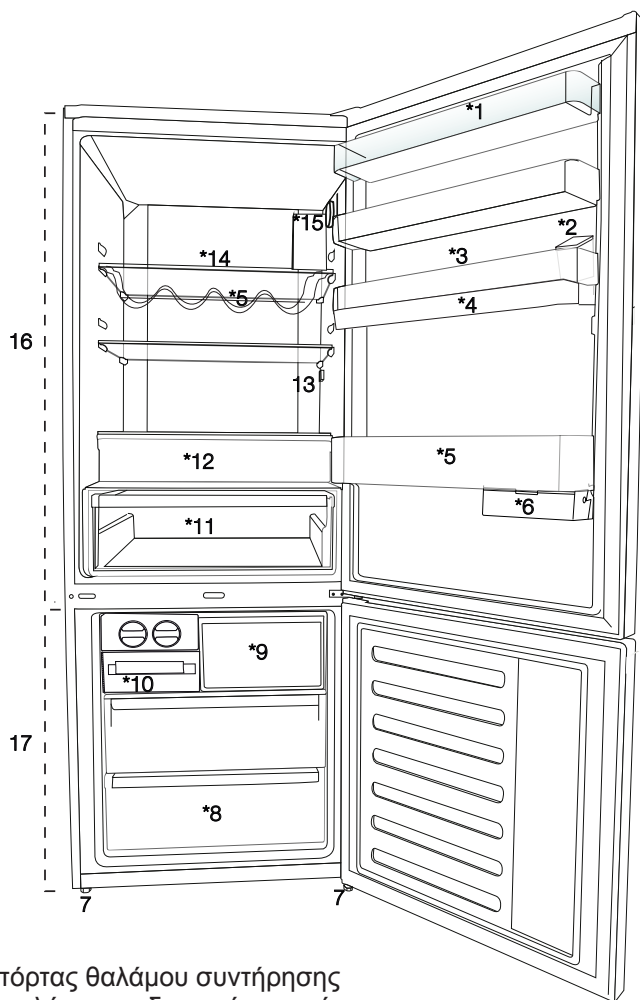
1.5. Συμμόρφωση με την Οδηγία RoHS

- Αυτό το προϊόν συμμορφώνεται με την Οδηγία ROHS (περιορισμού χρήσης ορισμένων επικίνδυνων ουσιών) της ΕΕ (2011/65/ΕΕ). Δεν περιέχει επιβλαβή και απαγορευμένα υλικά που καθορίζονται στην Οδηγία.

1.6. Πληροφορίες για τη συσκευασία

- Τα υλικά συσκευασίας του προϊόντος κατασκευάζονται από ανακυκλώσιμα υλικά σύμφωνα με του Εθνικούς μας Κανονισμούς Προστασίας του Περιβάλλοντος. Μην απορρίψετε τα υλικά συσκευασίας μαζί με οικιακά ή άλλα απορρίμματα. Παραδώστε τα στα σημεία συλλογής υλικών συσκευασίας που έχουν οριστεί από τις τοπικές αρχές.

2 Το ψυγείο σας



1. Ράφι πόρτας θαλάμου συντήρησης
2. Δοχείο πλήρωσης διανομέα νερού
3. Τμήμα αυτών
4. Ρεζερβουάρ διανομέα νερού
5. Ράφι μπουκαλιών
6. Συρόμενο δοχείο αποθήκευσης
7. Ρυθμιζόμενα πόδια
8. Θάλαμος βαθιάς κατάψυξης
9. Χώρος ταχείας κατάψυξης
10. Δίσκος για παγάκια & Θήκη για παγάκια
11. Συρτάρι λαχανικών
12. Διαμέρισμα μηδέν βαθμών
13. Εσωτερικός φωτισμός
14. Γυάλινο ράφι θαλάμου συντήρησης
15. Κουμπί ρύθμισης θερμοκρασίας
16. Θάλαμος συντήρησης
17. Χώρος Κατάψυξης



*Προαιρετικός εξοπλισμός: Οι εικόνες σε αυτές τις οδηγίες χρήσης είναι σχηματικές και μπορεί να μην ταιριάζουν ακριβώς στο προϊόν σας. Αν το προϊόν σας δεν περιλαμβάνει τα σχετικά εξαρτήματα, οι πληροφορίες αφορούν άλλα μοντέλα.


3 Εγκατάσταση

3.1. Σωστή θέση εγκατάστασης

Για την εγκατάσταση του προϊόντος, απευθυνθείτε στο Εξουσιοδοτημένο σέρβις. Για να ετοιμάσετε το προϊόν για εγκατάσταση, ανατρέξτε στις πληροφορίες των οδηγιών χρήσης και βεβαιωθείτε ότι οι παροχές ρεύματος και νερού είναι σύμφωνες με τις απαιτήσεις. Διαφορετικά, καλέστε ηλεκτρολόγο και/ή υδραυλικό για την απαιτούμενη προετοιμασία των παροχών.

3.2. Τοποθέτηση των πλαστικών αποστατών

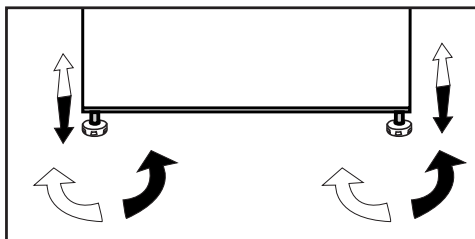
Μπορείτε να τοποθετήσετε τις 2 πλαστικές σφήνες όπως δείχνει η εικόνα. Οι πλαστικές σφήνες θα παρέχουν την απαιτούμενη απόσταση ανάμεσα στο ψυγείο σας και τον τοίχο ώστε να επιτρέπεται η κυκλοφορία του αέρα. (Το παρουσιαζόμενο σχήμα είναι μόνο ενδεικτικό και δεν αντιστοιχεί απόλυτα στο προϊόν σας.)

	ΠΡΟΕΙΔΟΠΟΙΗΣΗ: Ο κατασκευαστής δεν αποδέχεται καμία ευθύνη για οποιαδήποτε ζημία προκύψει από εργασίες που εκτελέστηκαν από μη εξουσιοδοτημένα άτομα.
	ΠΡΟΕΙΔΟΠΟΙΗΣΗ: Το καλώδιο ρεύματος του προϊόντος πρέπει να είναι αποσυνδεδεμένο από την πρίζα κατά την εγκατάσταση. Σε αντίθετη περίπτωση, μπορεί να προκληθεί θάνατος ή σοβαροί τραυματισμοί!
	ΠΡΟΕΙΔΟΠΟΙΗΣΗ: Αν το άνοιγμα της πόρτας του δωματίου είναι πολύ μικρό για να περάσει το προϊόν, αφαιρέστε την πόρτα και γυρίστε το προϊόν στο πλάι. Αν και αυτό δεν ωφελήσει, απευθυνθείτε στο εξουσιοδοτημένο σέρβις.

- Τοποθετήστε το προϊόν σε επίπεδη επιφάνεια, για να αποφύγετε κραδασμούς.
- Τοποθετήστε το προϊόν τουλάχιστον 30 cm μακριά από σύμπα, συσκευή κουζίνας και παρόμοιες πηγές θερμότητας και τουλάχιστον 5 cm από ηλεκτρικούς φούρνους.
- Μην εκθέτετε το προϊόν σε άμεση ηλιακή ακτινοβολία και μην το κρατάτε σε περιβάλλον με υγρασία.
- Το προϊόν χρειάζεται επαρκή κυκλοφορία αέρα για να λειτουργεί αποδοτικά. Αν το προϊόν πρόκειται να τοποθετηθεί μέσα σε εσοχή του τοίχου, θυμηθείτε να αφήσετε απόσταση τουλάχιστον 5 cm ανάμεσα στο προϊόν και την οροφή ή τα τοιχώματα.
- Μην εγκαταστήσετε το προϊόν σε περιβάλλον με θερμοκρασία κάτω από -5°C.

3.3. Ρύθμιση των ποδιών

Αν το προϊόν δεν έχει ισορροπήσει καλά στη θέση του, ρυθμίστε τα μπροστινά ρυθμιζόμενα πόδια περιστρέφοντάς τα δεξιά ή αριστερά.



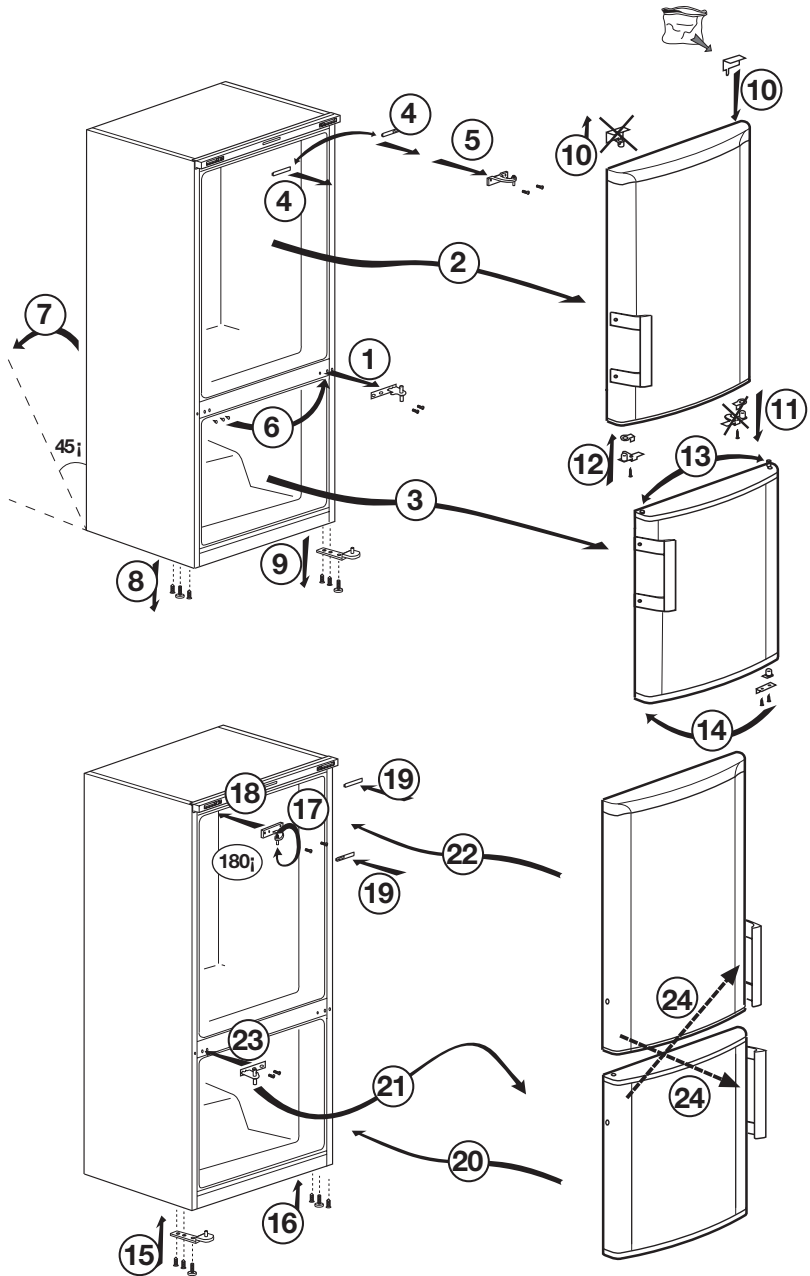
3.4. Σύνδεση ρεύματος

	ΠΡΟΕΙΔΟΠΟΙΗΣΗ: Μη χρησιμοποιείτε καλώδια επέκτασης ή πολύπριζα για τη σύνδεση ρεύματος.
	ΠΡΟΕΙΔΟΠΟΙΗΣΗ: Αν το καλώδιο έχει υποστεί ζημιά, πρέπει να αντικατασταθεί από το εξουσιοδοτημένο σέρβις.
	Όταν τοποθετείτε δύο ψυγεία το ένα δίπλα στο άλλο, αφήστε απόσταση τουλάχιστον 4 cm ανάμεσα στις δύο μονάδες.

- Η εταιρεία μας δεν θα αναλάβει ευθύνη για οποιεσδήποτε ζημιές λόγω χρήσης του προϊόντος χωρίς γείωση και χωρίς σύνδεση ρεύματος που συμμορφώνεται με τους εθνικούς κανονισμούς.
- Το φις του καλωδίου ρεύματος πρέπει να είναι εύκολα προσπελάσιμο μετά την εγκατάσταση.
- Συνδέστε το ψυγείο σε γειωμένη πρίζα ρεύματος 220-240V/50 Hz. Το φις πρέπει να περιλαμβάνει ασφάλεια 10-16 A.
- Μη χρησιμοποιείτε πολύπριζο με ή χωρίς καλώδιο επέκτασης ανάμεσα στην πρίζα τοίχου και στο ψυγείο.

Εγκατάσταση

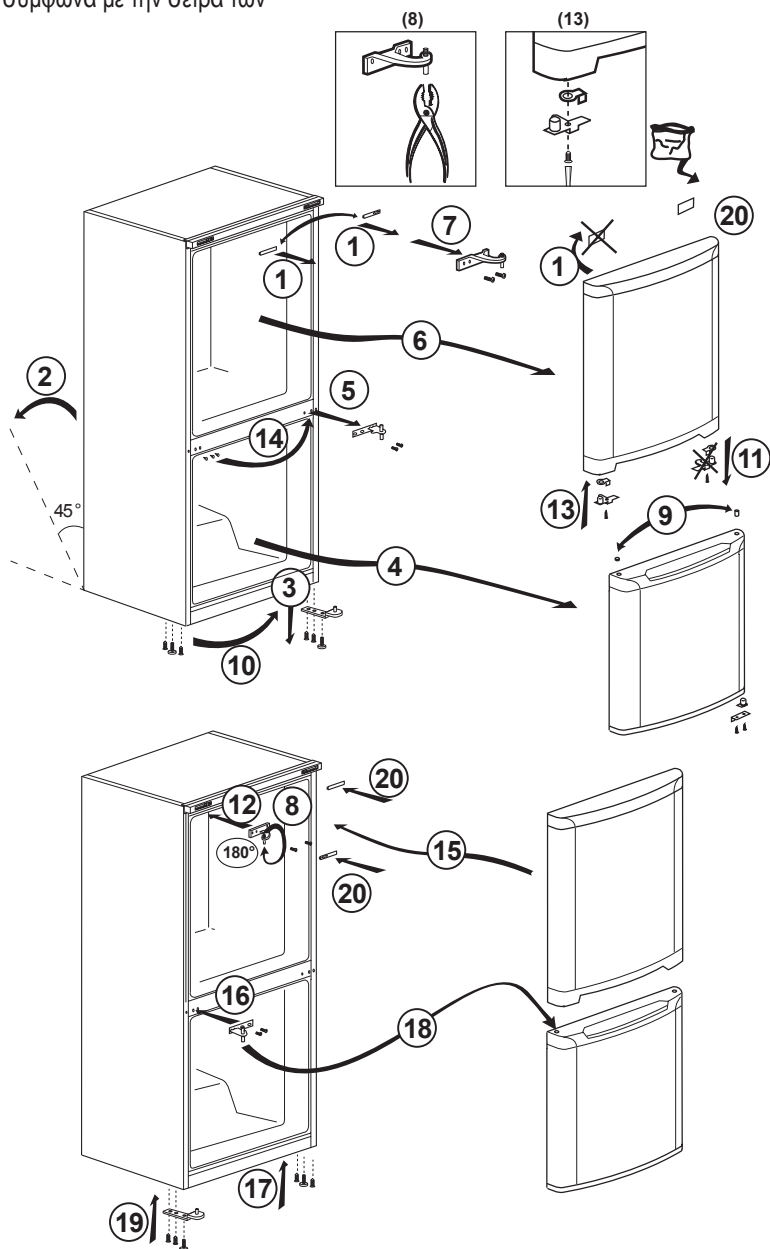
3.5. Αντιστροφή της φοράς ανοίγματος των πορτών



Εγκατάσταση

3.6. Αντιστροφή της φοράς ανοίγματος των πορτών

Προχωρήστε σύμφωνα με την σειρά των αριθμών.



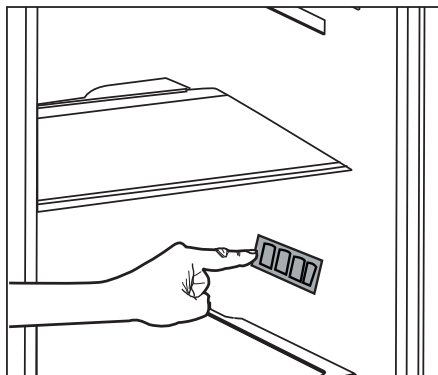
4 Προετοιμασία

4.1. Τι να κάνετε για εξοικονόμηση ενέργειας



Η σύνδεση του προϊόντος σε ηλεκτρονικό σύστημα εξοικονόμησης ενέργειας είναι επιβλαβής, γιατί μπορεί να προκαλέσει ζημιά στο προϊόν.

- Μην κρατάτε τις πόρτες του ψυγείου ανοικτές για μεγάλα χρονικά διαστήματα.
- Μην τοποθετείτε ζεστά τρόφιμα ή ποτά μέσα στο ψυγείο.
- Μη γεμίζετε υπερβολικά το ψυγείο. Αν εμποδίζεται η εσωτερική κυκλοφορία του αέρα, θα μειωθεί η ψυκτική ικανότητα.
- Για να αποθηκεύσετε τη μέγιστη ποσότητα τροφίμων στο θάλαμο συντήρησης του ψυγείου σας, θα πρέπει να αφαιρέσετε τα πάνω συρτάρια και να τα τοποθετήσετε πάνω στο γυάλινο ράφι. Η δηλωθείσα κατανάλωση ενέργειας του ψυγείου σας προσδιορίστηκε αφού είχε αφαιρεθεί ο ψύκτης, ο δίσκος για παγάκια και τα πάνω συρτάρια ώστε να επιτυγχάνεται ο μέγιστος χώρος αποθήκευσης. Η χρήση του από κάτω συρταριού κατά την αποθήκευση τροφίμων συνιστάται θερμά. Η λειτουργία εξοικονόμησης ενέργειας θα πρέπει να είναι ενεργοποιημένη για τη βέλτιστη κατανάλωση ενέργειας.
- Δεν θα πρέπει να εμποδίζετε τη ροή αέρα τοποθετώντας τρόφιμα μπροστά από τον ανεμιστήρα συντήρησης. Πρέπει να αφήνετε ελεύθερο χώρο τουλάχιστον 3 cm μπροστά από το προστατευτικό σύρμα του ανεμιστήρα όταν τοποθετείτε τα τρόφιμα.
- Ανάλογα με τα χαρακτηριστικά του προϊόντος: η απόψυξη κατεψυγμένων τροφίμων στο θάλαμο κατάψυξης θα εξασφαλίσει εξοικονόμηση ενέργειας και θα διατηρήσει την ποιότητα των τροφίμων.



- Πρέπει να αποθηκεύετε τα τρόφιμα στα συρτάρια του θαλάμου συντήρησης για να εξασφαλίζετε εξοικονόμηση ενέργειας και να προστατεύετε το φαγητό με τις καλύτερες συνθήκες.
- Οι συσκευασίες των τροφίμων δεν πρέπει να είναι σε άμεση επαφή με τον αισθητήρα θερμότητας που βρίσκεται στο θάλαμο συντήρησης. Αν είναι σε επαφή με τον αισθητήρα, μπορεί να αυξηθεί η κατανάλωση ενέργειας της συσκευής.
- Βεβαιωθείτε ότι τα τρόφιμα δεν είναι σε επαφή με τον αισθητήρα θερμοκρασίας του θαλάμου συντήρησης που περιγράφεται παρακάτω.

4.2. Πρώτη χρήση

Πριν χρησιμοποιήσετε το ψυγείο σας, βεβαιωθείτε ότι έχουν γίνει οι απαραίτητες προετοιμασίες σύμφωνα με τις οδηγίες στα τμήματα "Οδηγίες για την ασφάλεια και το περιβάλλον" και "Εγκατάσταση".

- Διατηρήστε το προϊόν σε λειτουργία χωρίς τρόφιμα για 6 ώρες και μην ανοίξετε την πόρτα αν δεν είναι απολύτως αναγκαίο.



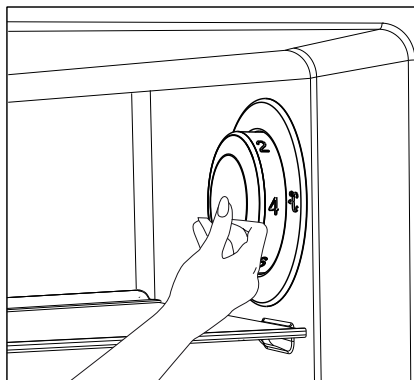
Όταν ενεργοποιηθεί ο συμπιεστής θα ακουστεί ένας ήχος. Είναι σημαντικό να ακούτε ήχο όταν ο συμπιεστής είναι ανενεργός, λόγω των συμπιεσμένων υγρών και αερίων στο ψυκτικό σύστημα.



Τα μπροστινά άκρα του προϊόντος μπορεί να θερμαίνονται. Αυτό είναι φυσιολογικό. Αυτές οι περιοχές έχουν σχεδιαστεί να θερμαίνονται για την πρόληψη της συμπύκνωσης.



Σε ορισμένα μοντέλα ο πίνακας ενδείξεων απενεργοποιείται αυτόματα 5 λεπτά μετά το κλείσιμο της πόρτας. Θα ενεργοποιηθεί πάλι όταν ανοίξετε την πόρτα ή πατήσετε οποιοδήποτε κουμπί.



5.1. Κουμπί ρύθμισης θερμοκρασίας

Η εσωτερική θερμοκρασία του ψυγείου μεταβάλλεται, σε συνάρτηση με τα εξής αίτια:

- Εποχική διακύμανση θερμοκρασίας περιβάλλοντος,
- Συχνό άνοιγμα της πόρτας και παραμονή της πόρτας ανοικτής για πολλή ώρα.
- Φαγητά που τοποθετούνται στο ψυγείο πριν κρυσώσουν σε θερμοκρασία δωματίου.
- Θέση του ψυγείου μέσα στο δωμάτιο (π.χ. εκτεθειμένο στον ήλιο).
- Μπορείτε με το κουμπί ρύθμισης να ρυθμίσετε τη θερμοκρασία που μεταβάλλεται εξαιτίας αυτών των παραγόντων.

Οι αριθμοί γύρω από το κουμπί ρύθμισης υποδεικνύουν βαθμούς θερμοκρασίας σε “°C”.

Αν η θερμοκρασία περιβάλλοντος είναι 20 °C, συνιστάται να χρησιμοποιείτε τη ρύθμιση θερμοκρασίας του ψυγείου στους 4 °C. Σε άλλες θερμοκρασίες περιβάλλοντος μπορείτε να ρυθμίσετε αυτή τη θερμοκρασία όπως απαιτείται.

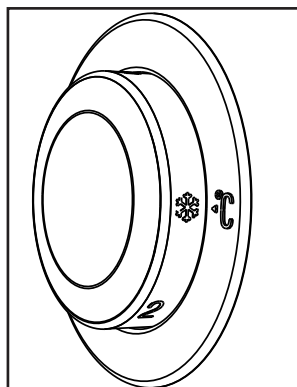
5.2. Ταχεία κατάψυξη

Αν θέλετε να καταψύξετε μεγάλες ποσότητες νωπών τροφίμων, θέστε το κουμπί ρύθμισης θερμοκρασίας στη

θέση (❄) πριν τοποθετήσετε τα τρόφιμα στο διαμέρισμα ταχείας κατάψυξης.

Συνιστάται να διατηρείτε το κουμπί σε αυτή τη θέση για 24 ώρες για να καταψύξετε τη μέγιστη ποσότητα τροφίμων που υποδεικνύεται ως ικανότητα κατάψυξης. Προσέξτε ιδιαίτερα να μην καταψύχετε μαζί ήδη κατεψυγμένα τρόφιμα και νωπά τρόφιμα.


Θυμηθείτε να επαναφέρετε το κουμπί ρύθμισης θερμοκρασίας στην προηγούμενη θέση του.



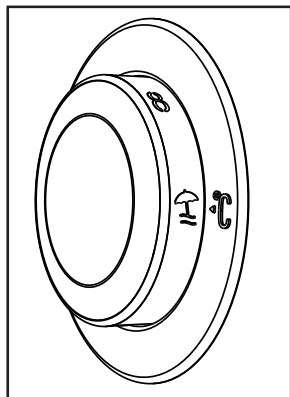
***προαιρετικός εξοπλισμός:** Οι εικόνες σε αυτές τις οδηγίες χρήσης είναι σχηματικές και μπορεί να μην ταιριάζουν ακριβώς στο προϊόν σας. Αν το προϊόν σας δεν περιλαμβάνει τα σχετικά εξαρτήματα, οι πληροφορίες αφορούν άλλα μοντέλα.

Χρήση του προϊόντος

5.3. Λειτουργία Διακοπών

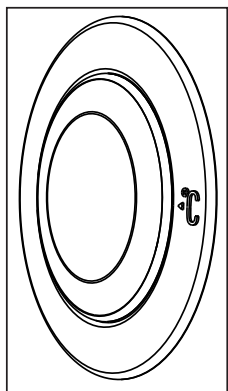
Αν οι πόρτες του προϊόντος δεν () ανοίξουν για τουλάχιστον 12 ώρες μετά τη ρύθμιση του κουμπιού ρύθμισης θερμοκρασίας στη μέγιστη ρύθμιση, η λειτουργία διακοπών ενεργοποιείται αυτόματα.

- Αφού ολοκληρωθεί η διαδικασία ρύθμισης, μπορείτε να αποκρύψετε το κουμπί ρύθμισης θερμοκρασίας πιέζοντάς το στη μέσα θέση.



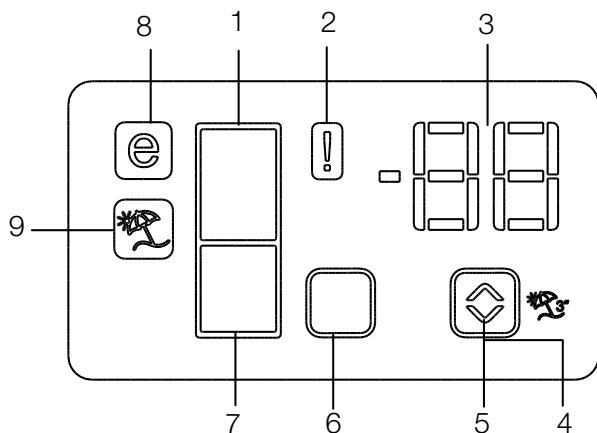
Για ακύρωση της λειτουργίας πρέπει να αλλάξετε τη ρύθμιση του κουμπιού.

Δεν συνιστάται να αποθηκεύετε τρόφιμα στο θάλαμο συντήρησης όταν είναι ενεργή η λειτουργία διακοπών.



5.4. Πίνακας ενδείξεων

Οι πίνακες ενδείξεων μπορεί να διαφέρουν, ανάλογα με το μοντέλο του προϊόντος. Οι οπτικοακουστικές λειτουργίες του πίνακα οργάνων σας βοηθούν στη χρήση του προϊόντος σας.



1. Ένδειξη χώρου Συντήρησης
2. Ένδειξη Κατάστασης σφάλματος
3. Ένδειξη θερμοκρασίας
4. Κουμπί λειτουργίας διακοπών
5. Κουμπί ρύθμισης θερμοκρασίας
6. Κουμπί επιλογής θαλάμου
7. Ένδειξη θαλάμου κατάψυξης
8. Ένδειξη Οικονομικής λειτουργίας
9. Ένδειξη λειτουργίας Διακοπών

***προαιρετικό**



***προαιρετικός εξοπλισμός:** Οι εικόνες σε αυτές τις οδηγίες χρήσης είναι σχηματικές και μπορεί να μην ταιριάζουν ακριβώς στο προϊόν σας. Αν το προϊόν σας δεν περιλαμβάνει τα σχετικά εξαρτήματα, οι πληροφορίες αφορούν άλλα μοντέλα.

1. Ένδειξη θαλάμου συντήρησης

Η λυχνία θαλάμου συντήρησης ανάβει ενώ ρυθμίζεται η θερμοκρασία του θαλάμου κατάψυξης.

2. Ένδειξη κατάστασης σφάλματος

Αν το ψυγείο σας δεν έχει ικανοποιητική ψύξη ή σε περίπτωση βλάβης αισθητήρα, ενεργοποιείται αυτή η ένδειξη. Όταν ενεργοποιείται αυτή η ένδειξη, εμφανίζεται "E" στην ένδειξη θερμοκρασίας του θαλάμου κατάψυξης, και αριθμοί όπως "1,2,3..." εμφανίζονται στην ένδειξη θερμοκρασίας του θαλάμου συντήρησης. Αυτοί οι αριθμοί στην ένδειξη πληροφορούν το προσωπικό σέρβις σχετικά με το σφάλμα.

3. Ένδειξη θερμοκρασίας

Δείχνει τη θερμοκρασία θαλάμου κατάψυξης, συντήρησης.

4. Κουμπί λειτουργίας διακοπών

Πατήστε το κουμπί διακοπών για 3 δευτερόλεπτα για να ενεργοποιήσετε αυτή τη λειτουργία. Όταν αυτή η λειτουργία είναι ενεργή, η ένδειξη θερμοκρασίας για το χώρο συντήρησης είναι "- -" και δεν υπάρχει ψύξη στο χώρο συντήρησης. Δεν είναι κατάλληλο να φυλάξετε το φαγητό στη συντήρηση του ψυγείου όταν είναι ενεργοποιημένη αυτή η λειτουργία. Οι υπόλοιποι χώροι θα πρέπει να εξακολουθήσουν να ψύχονται σύμφωνα με τη ρυθμισμένη θερμοκρασία τους.

Για να ακυρώσετε αυτή τη λειτουργία πιέστε πάλι το κουμπί Διακοπών.

5. Κουμπί ρύθμισης θερμοκρασίας

Αλλάζει τη θερμοκρασία του αντίστοιχου θαλάμου μεταξύ -24°C... -18°C και 8°C...1°C.

6. Κουμπί επιλογής θαλάμου

Κουμπί επιλογής: Πατήστε το κουμπί επιλογής θαλάμου για αλλαγή μεταξύ θαλάμων συντήρησης και κατάψυξης.

7. Ένδειξη θαλάμου κατάψυξης

Η λυχνία θαλάμου συντήρησης ανάβει ενώ ρυθμίζεται η θερμοκρασία του θαλάμου κατάψυξης.

8. Ένδειξη λειτουργίας Οικονομίας

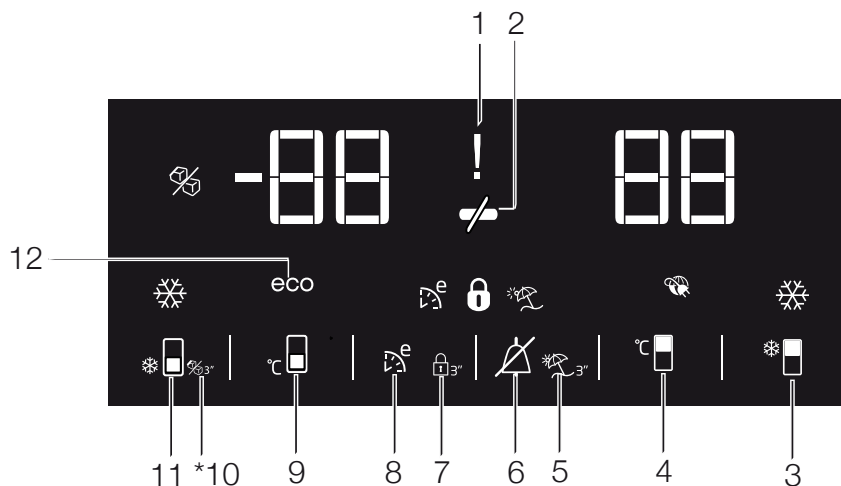
Υποδεικνύει ότι το ψυγείο λειτουργεί σε λειτουργία εξοικονόμησης ενέργειας. Η ένδειξη θα ενεργοποιηθεί αν η θερμοκρασία του θαλάμου κατάψυξης ρυθμιστεί σε -18°C.

9. Ένδειξη λειτουργίας Διακοπών

Υποδεικνύει ότι είναι ενεργοποιημένη η λειτουργία διακοπών.

5.5. Πίνακας ενδείξεων

Αυτός ο πίνακας ενδείξεων με κουμπιά ελέγχου σας επιτρέπει να ρυθμίζετε τη θερμοκρασία χωρίς να ανοίγετε την πόρτα του προϊόντος σας. Απλά πατήστε τις επιγραφές στα σχετικά κουμπιά για τις ρυθμίσεις λειτουργίας.



1. Διακοπή ρεύματος/ Υψηλή θερμοκρασία/ Δείκτης προειδοποίησης σφάλματος

Αυτή η λυχνία (⚡) ανάβει σε περιπτώσεις διακοπής ρεύματος, προβλημάτων με υψηλή θερμοκρασία και προειδοποιήσεων για σφάλματα. Σε περίπτωση παρατεταμένων διακοπών ρεύματος, η υψηλότερη θερμοκρασία που φθάνει ο χώρος κατάψυξης θα αναβοσβήνει στην ψηφιακή οθόνη. Μετά τον έλεγχο των τροφίμων που βρίσκονται στο χώρο κατάψυξης, πιέστε το κουμπί απενεργοποίησης του συναγερμού (⚡) για να ακυρώσετε την προειδοποίηση.

Παρακαλούμε ανατρέξτε στην ενότητα «Αντιμετώπιση προβλημάτων» στο εγχειρίδιο χρήσης σας αν έχετε παρατηρήσει ότι αυτή η λυχνία έχει φωτιστεί.

2. Λειτουργία Εξοικονόμησης ενέργειας (απενεργοποίηση ενδείξεων):

Αν οι πόρτες του προϊόντος διατηρηθούν κλειστές για μεγάλο χρονικό διάστημα, ενεργοποιείται αυτόματα η λειτουργία εξοικονόμησης ενέργειας και θα ανάψει το σύμβολο εξοικονόμησης ενέργειας. (⚡)



***προαιρετικός εξοπλισμός:** Οι εικόνες σε αυτές τις οδηγίες χρήσης είναι σχηματικές και μπορεί να μην ταιριάζουν ακριβώς στο προϊόν σας. Αν το προϊόν σας δεν περιλαμβάνει τα σχετικά εξαρτήματα, οι πληροφορίες αφορούν άλλα μοντέλα.

Χρήση του προϊόντος

Αν είναι ενεργή η λειτουργία εξοικονόμησης ενέργειας, θα σβήσουν όλα τα σύμβολα από τον πίνακα ενδείξεων εκτός από το σύμβολο εξοικονόμησης ενέργειας. Όταν είναι ενεργή η λειτουργία Εξοικονόμησης ενέργειας, αν πατήσετε οποιοδήποτε κουμπί ή αν ανοίξετε την πόρτα, θα ακυρωθεί η λειτουργία εξοικονόμησης ενέργειας και τα σύμβολα στην οθόνη θα επιστρέψουν στο κανονικό.

Η λειτουργία εξοικονόμησης ενέργειας είναι ενεργοποιημένη κατά την παράδοση από το εργοστάσιο και δεν μπορεί να ακυρωθεί.

3. Λειτουργία Ταχείας Ψύξης

Το κουμπί έχει δύο λειτουργίες. Για να ενεργοποιήσετε ή να απενεργοποιήσετε τη λειτουργία Ταχείας Ψύξης πατήστε σύντομα αυτό το κουμπί. Ο δείκτης Quick Cool θα σβήσει και το προϊόν θα επιστρέψει στις κανονικές του ρυθμίσεις. (●🔒)



Χρησιμοποιήστε τη λειτουργία Ταχείας Ψύξης, όταν θέλετε να κρυώσετε γρήγορα τα τρόφιμα που τοποθετούνται στη συντήρηση ψυγείου. Αν θέλετε να κρυώσετε μεγάλες ποσότητες νωπών τροφίμων, ενεργοποιήστε αυτή τη λειτουργία πριν τοποθετήσετε τα τρόφιμα στο ψυγείο.



Αν δεν ακυρώσετε τη λειτουργία, η ταχεία ψύξη θα ακυρωθεί αυτόματα μετά από 8 ώρες ή όταν ο θάλαμος συντήρησης επιτύχει την απαιτούμενη θερμοκρασία.



Αν πατήσετε επανειλημμένα σε σύντομο διάστημα το κουμπί Ταχείας Ψύξης, ο συμπίεστής δεν θα αρχίσει να λειτουργεί αμέσως γιατί θα ενεργοποιηθεί το ηλεκτρονικό σύστημα προστασίας.



Η λειτουργία αυτή δεν συνεχίζεται μετά την αποκατάσταση διακοπής ρεύματος.

4. Κουμπί ρύθμισης θερμοκρασίας του χώρου συντήρησης

Πατήστε αυτό το κουμπί για να ρυθμίσετε τη θερμοκρασία του θαλάμου συντήρησης σε 8, 7,6, 5,4,3, 2, 8... αντίστοιχα. Πατήστε αυτό το κουμπί για να ρυθμίσετε τη θερμοκρασία του θαλάμου συντήρησης στην επιθυμητή τιμή. (τ🔒)

5. Λειτουργία Διακοπές


Για να ενεργοποιήσετε τη λειτουργία Διακοπές, πιέστε και κρατήστε πατημένο το πλήκτρο (⏻) για 3 δευτερόλεπτα και η ένδειξη λειτουργίας Διακοπών (🔌) θα ενεργοποιηθεί. Όταν αυτή η λειτουργία είναι ενεργή, η ένδειξη θερμοκρασίας για το χώρο συντήρησης είναι "- -" και δεν υπάρχει ψύξη στο χώρο συντήρησης. Δεν είναι κατάλληλο να φυλάξετε το φαγητό στη συντήρηση του ψυγείου όταν είναι ενεργοποιημένη αυτή η λειτουργία. Οι υπόλοιποι χώροι θα πρέπει να εξακολουθήσουν να ψύχονται σύμφωνα με τη ρυθμισμένη θερμοκρασία τους. Για να ακυρώσετε αυτή τη λειτουργία πιέστε πάλι το κουμπί της **Λειτουργίας Διακοπών**.


6. Απενεργοποίηση προειδοποίησης:


Σε περίπτωση συναγερμού διακοπής ρεύματος/ υψηλής θερμοκρασίας, μετά τον έλεγχο των τροφίμων που βρίσκονται στο χώρο κατάψυξης, πιέστε το κουμπί απενεργοποίησης του συναγερμού (🔌) για να ακυρώσετε την προειδοποίηση.

Χρήση του προϊόντος


7. Κλειδώμα πλήκτρων

Πατήστε το κουμπί Κλειδώματος πλήκτρων () συνεχόμενα για 3 δευτερόλεπτα. Ένδειξη κλειδώματος πλήκτρων

Θα ανάψει το εικονίδιο () και θα ενεργοποιηθεί η λειτουργία Κλειδώματος πλήκτρων. Τα κουμπιά δεν θα λειτουργούν αν είναι ενεργή η λειτουργία Κλειδώματος πλήκτρων. Πατήστε πάλι το κουμπί Κλειδώματος πλήκτρων συνεχόμενα για 3 δευτερόλεπτα. Η ένδειξη Κλειδώματος πλήκτρων θα σβήσει και θα ακυρωθεί η λειτουργία Κλειδώμα πλήκτρων.

Πατήστε το κουμπί **Κλειδώμα πλήκτρων** εάν θέλετε να αποτρέψετε την αλλαγή της ρύθμισης της θερμοκρασίας του ψυγείου ().


8. Eco fuzzy

Πατήστε και κρατήστε πατημένο για 1 δευτερόλεπτο το πλήκτρο Eco-Fuzzy για να ενεργοποιήσετε τη λειτουργία Eco-Fuzzy. Όταν ενεργοποιηθεί αυτή η λειτουργία, το ψυγείο θα αρχίσει να λειτουργεί με το πιο οικονομικό πρόγραμμα τουλάχιστον 6 ώρες αργότερα και θα ανάψει η ένδειξη οικονομικής χρήσης (). Πατήστε και κρατήστε πατημένο για 3 δευτερόλεπτα το πλήκτρο Eco-Fuzzy για να απενεργοποιήσετε τη λειτουργία Eco-Fuzzy.


Αυτή η λυχνία φωτίζεται μετά από 6 ώρες όταν η λειτουργία eco fuzzy είναι ενεργοποιημένη.

9. Κουμπί ρύθμισης θερμοκρασίας του καταψύκτη

Πατήστε αυτό το κουμπί για να ρυθμίσετε τη θερμοκρασία του καταψύκτη στους -18,-19,-20,-21, -22, -23,-24, -18... αντίστοιχα. Πατήστε αυτό το κουμπί για να ρυθμίσετε τη

θερμοκρασία του θαλάμου κατάψυξης στην επιθυμητή τιμή. ()


10. Ένδειξη απενεργοποιημένου Icematic

Δείχνει αν το σύστημα Icematic είναι ενεργοποιημένο ή απενεργοποιημένο. () Αν είναι αναμμένη, το σύστημα Icematic δεν λειτουργεί. Για να λειτουργήσει το Icematic ξανά πατήστε και κρατήστε πατημένο το κουμπί On - Off για 3 δευτερόλεπτα.



Με αυτή την επιλογή θα σταματήσει η ροή νερού από το δοχείο νερού. Ωστόσο, ο πάγος που δημιουργήθηκε πρωτίτερα μπορεί να ληφθεί από το Icematic.

11. Κουμπί λειτουργίας Ταχείας Κατάψυξης/Κουμπί icematic

Για να ενεργοποιήσετε ή να απενεργοποιήσετε τη λειτουργία Ταχείας Κατάψυξης πατήστε σύντομα αυτό το κουμπί. Όταν ενεργοποιήσετε τη λειτουργία, ο θάλαμος κατάψυξης θα ψυχθεί σε θερμοκρασία χαμηλότερη από τη ρυθμισμένη τιμή. ()

Για να ενεργοποιήσετε και να απενεργοποιήσετε το Icematic πατήστε και κρατήστε το για 3 δευτερόλεπτα.



Χρησιμοποιήστε τη λειτουργία Ταχείας Κατάψυξης, όταν θέλετε να ψύξετε γρήγορα τα τρόφιμα που τοποθετούνται στη συντήρηση ψυγείου. Αν θέλετε να ψύξετε μεγάλες ποσότητες νωπών τροφίμων, ενεργοποιήστε αυτή τη λειτουργία πριν τοποθετήσετε τα τρόφιμα στο ψυγείο.



Αν δεν ακυρώσετε τη λειτουργία, η ταχεία κατάψυξη θα ακυρωθεί αυτόματα μετά από 4 ώρες ή όταν ο θάλαμος συντήρησης επιτύχει την απαιτούμενη θερμοκρασία.



Η λειτουργία αυτή δεν συνεχίζεται μετά την αποκατάσταση διακοπής ρεύματος.

12. Δείκτης οικονομικής χρήσης

Υποδεικνύει ότι το προϊόν βρίσκεται σε λειτουργία εξοικονόμησης ενέργειας. (**eco**) Αυτή η ένδειξη θα είναι ενεργή αν η θερμοκρασία χώρου Κατάψυξης τεθεί σε -18 ή αν εκτελείται ενεργειακά αποδοτική ψύξη λόγω της Πολύ οικονομικής λειτουργίας.



Η ένδειξη Οικονομικής χρήσης απενεργοποιείται όταν επιλέγονται οι λειτουργίες Ταχείας Ψύξης και Ταχείας Κατάψυξης.

5.7. Παγοθήκη

- Αφαιρέστε την παγοθήκη από το θάλαμο κατάψυξης.
- Γεμίστε την παγοθήκη με νερό.
- Τοποθετήστε την παγοθήκη στο θάλαμο κατάψυξης. Δύο ώρες αργότερα, ο πάγος είναι έτοιμος.
- Αφαιρέστε την παγοθήκη από το θάλαμο κατάψυξης και λυγίστε τη πάνω από το πιάτο σερβιρίσματος. Τα παγάκια θα πέσουν εύκολα πάνω στο πιάτο σερβιρίσματος.

5.8. Αυγοθήκη

Μπορείτε να τοποθετήσετε την αυγοθήκη στο επιθυμητό ράφι πόρτας ή κυρίως ράφι. Αν το τοποθετήσετε σε κυρίως ράφι, συνιστώνται τα κάτω, πιο κρύα ράφια.



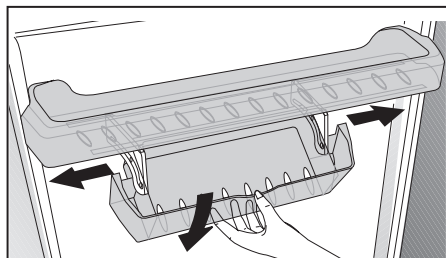
Μην τοποθετείτε ποτέ την αυγοθήκη στο θάλαμο κατάψυξης.

Χρήση του προϊόντος

5.9. Ανεμιστήρας

Ο ανεμιστήρας έχει σχεδιαστεί για να διασφαλίζει ομοιογενή κατανομή και κυκλοφορία του αέρα στο εσωτερικό του ψυγείου σας. Ο χρόνος λειτουργίας του ανεμιστήρα μπορεί να διαφέρει ανάλογα με τα χαρακτηριστικά του προϊόντος σας.

Ενώ σε ορισμένα προϊόντα ο ανεμιστήρας λειτουργεί μόνο μαζί με το συμπιεστή, σε ορισμένα πάλι προϊόντα το σύστημα ελέγχου καθορίζει το χρόνο λειτουργίας του ανεμιστήρα σύμφωνα με τις απαιτήσεις ψύξης.

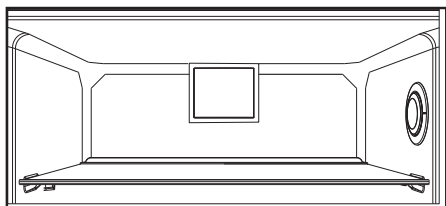


5.12. Μπλε φως

(Αυτή η λειτουργία είναι προαιρετική)

Αυτό το αξεσουάρ έχει σχεδιαστεί για να αυξάνει τον ωφέλιμο όγκο των ραφιών πόρτας.

Σας επιτρέπει να τοποθετήσετε εύκολα τα ψηλά μπουκάλια, βάζα και μεταλλικά κουτιά στο κάτω ράφι μπουκαλιών χάρη στη δυνατότητά του να μετακινείται δεξιά ή αριστερά.



5.10. Συρτάρι λαχανικών

Το συρτάρι λαχανικών του προϊόντος έχει σχεδιαστεί ειδικά για να διατηρεί τα λαχανικά φρέσκα χωρίς να χάνουν την υγρασία τους. Για το σκοπό αυτό, η κυκλοφορία κρύου αέρα είναι πιο έντονη γύρω από το συρτάρι λαχανικών γενικά.

5.11. Διαμέρισμα έντονης ψύξης

(Αυτή η λειτουργία είναι προαιρετική)

Χρησιμοποιήστε αυτό το διαμέρισμα για φύλαξη προϊόντων ντελικατέσεν που πρέπει να αποθηκεύονται σε χαμηλότερες θερμοκρασίες ή προϊόντα κρέατος που πρέπει να καταναλώσετε σύντομα.

Το διαμέρισμα έντονης ψύξης είναι η πιο κρύα θέση στη συντήρηση, όπου μπορείτε να φυλάσσετε γαλακτοκομικά, κρέας, ψάρια και πουλερικά σε ιδανικές συνθήκες. Δεν πρέπει να αποθηκεύετε φρούτα και λαχανικά σε αυτό το διαμέρισμα.

5.13. Συρτάρι λαχανικών ελεγχόμενης υγρασίας

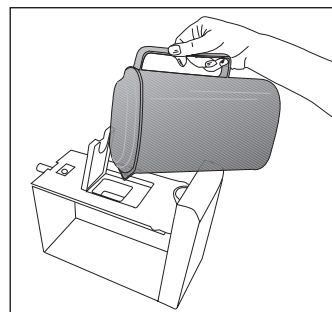
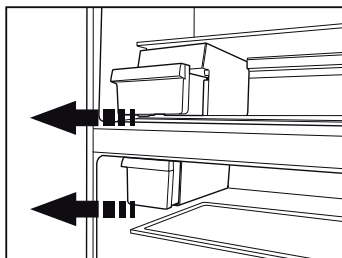
(FreSHelf)

(Αυτή η λειτουργία είναι προαιρετική)

Η περιεκτικότητα σε υγρασία των λαχανικών και των φρούτων διατηρείται υπό έλεγχο με τη δυνατότητα του συρταριού λαχανικών ρυθμιζόμενης υγρασίας. Έτσι διασφαλίζεται ότι τα τρόφιμα διατηρούνται φρέσκα για περισσότερο χρόνο.

Συνιστούμε να τοποθετείτε τα φυλλώδη λαχανικά όπως το μαρούλι, το σπανάκι καθώς και τα λαχανικά που είναι ευαίσθητα στην απώλεια υγρασίας, σε όσο το δυνατόν οριζόντια θέση μέσα στο συρτάρι λαχανικών και όχι πάνω στις ρίζες τους σε κάθετη θέση.

Όταν τοποθετείτε τα λαχανικά, θα πρέπει να λαμβάνετε υπόψη το ειδικό βάρος τους. Τα βαριά και σκληρά λαχανικά πρέπει να τοποθετούνται στο κάτω μέρος του συρταριού λαχανικών και τα ελαφριά και μαλακά λαχανικά πρέπει να τοποθετούνται από πάνω τους.



Ποτέ μην αφήνετε τα λαχανικά μέσα στις σακούλες τους όταν τα τοποθετείτε στο συρτάρι λαχανικών. Αν αφήσετε τα λαχανικά μέσα στις σακούλες τους, αυτό θα τα κάνει να αποσυντεθούν σε μικρό χρονικό διάστημα. Σε περίπτωση που η επαφή με άλλα λαχανικά δεν είναι επιθυμητή για λόγους υγιεινής, χρησιμοποιήστε ένα διάτρητο χαρτί και άλλα παρόμοια υλικά συσκευασίας, εκτός από σακούλα.

Μην τοποθετείτε αχλάδι, βερίκοκο, ροδάκινο κλπ. και μήλα, ειδικά όταν έχουν υψηλά επίπεδα παραγωγής αιθυλενίου, στο ίδιο συρτάρι λαχανικών με άλλα λαχανικά και φρούτα. Το αιθυλένιο που εκπέμπεται από αυτά τα φρούτα μπορεί να επιταχύνει την ωρίμανση των άλλων φρούτων και να τα κάνει να αποσυντεθούν σε μικρότερο χρονικό διάστημα.

5.14. Αυτόματο Icematic

(Αυτή η λειτουργία είναι προαιρετική)

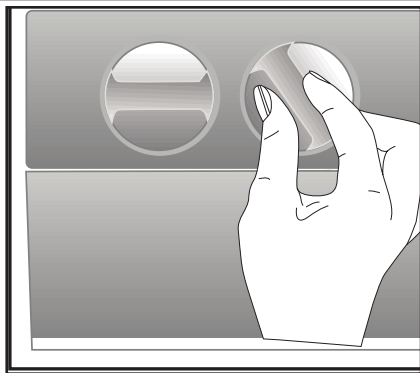
Το Αυτόματο Icematic σας επιτρέπει να παρασκευάσετε εύκολα πάγο στο ψυγείο σας. Αφαιρέστε το δοχείο νερού από το θάλαμο συντήρησης, γεμίστε το με νερό και τοποθετήστε το πάλι στη θέση του για να αποκτήσετε πάγο από το Icematic.

Τα πρώτα παγάκια θα είναι έτοιμα περίπου σε 2 ώρες στο συρτάρι του Icematic που βρίσκεται στο θάλαμο κατάψυξης.

Αν γεμίσετε πλήρως το δοχείο νερού, θα μπορείτε να αποκτήσετε περίπου 60-70 παγάκια. Αλλάζετε το νερό στο δοχείο νερού αν έχει παραμείνει αχρησιμοποίητο περίπου 2-3 εβδομάδες.



Για τα προϊόντα που έχουν αυτόματο Icematic, μπορεί να ακούγεται ήχος κατά την πτώση του πάγου. Ο ήχος είναι κανονικός και δεν είναι ένδειξη βλάβης.



5.15. Περιγραφή και καθαρισμός του φίλτρου οσμών

(Αυτή η λειτουργία είναι προαιρετική)

Το φίλτρο οσμών εμποδίζει το σχηματισμό δυσάρεστων οσμών μέσα στο προϊόν.

1. Τραβήξτε το κάλυμμα του φίλτρου οσμών προς τα κάτω από το μπροστινό τμήμα και αφαιρέστε το όπως δείχνει η εικόνα.
2. Αφήστε το φίλτρο στον ήλιο για μία ημέρα. Σε αυτό το χρονικό διάστημα το φίλτρο θα καθαριστεί.
3. Τοποθετήστε το φίλτρο πάλι πίσω στη θέση του.



Το φίλτρο οσμών πρέπει να καθαρίζεται μία φορά το χρόνο.

5.16. Χρήση του διανομέα νερού

*προαιρετικός εξοπλισμός

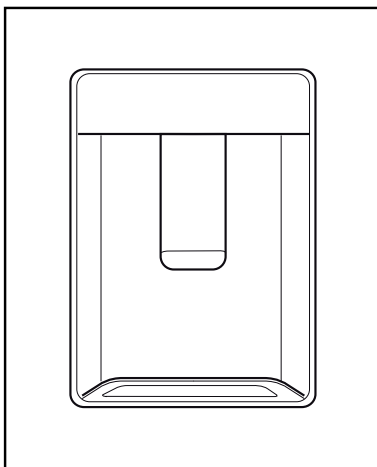


Είναι φυσιολογικό να είναι ζεστά τα πρώτα λίγα ποτήρια νερού που παίρνετε από το διανομέα.



Αν ο διανομέας νερού δεν χρησιμοποιηθεί για πολύ χρόνο, πετάξτε τα πρώτα λίγα ποτήρια νερού για να έχετε φρέσκο νερό.

1. Σπρώξτε με το ποτήρι σας το μοχλό του διανομέα νερού προς τα μέσα. Αν χρησιμοποιείτε μαλακό πλαστικό ποτήρι, θα είναι προτιμότερο να σπρώξετε το μοχλό με το χέρι σας.
2. Αφού γεμίσετε το ποτήρι ως τη στάθμη που θέλετε, ελευθερώστε το μοχλό.



Παρακαλούμε να έχετε υπόψη σας, ότι η ροή του νερού από το διανομέα εξαρτάται από το πόσο πολύ πιέζετε το μοχλό. Καθώς αυξάνεται η στάθμη του νερού στο κύπελλο/ ποτήρι σας, μειώστε απαλά την πίεση στο μοχλό για να αποφύγετε υπερχειλίση. Αν πιέσετε ελαφρά το βραχίονα, το νερό θα στάξει. Αυτό είναι πολύ φυσιολογικό και όχι σύμπτωμα βλάβης.

Χρήση του προϊόντος

5.17. Χρήση του διανομέα νερού

*προαιρετικός εξοπλισμός



Είναι φυσιολογικό να είναι ζεστά τα πρώτα λίγα ποτήρια νερού που παίρνετε από το διανομέα.



Αν ο διανομέας νερού δεν χρησιμοποιηθεί για πολύ χρόνο, πετάξτε τα πρώτα λίγα ποτήρια νερού για να έχετε φρέσκο νερό.

1. Σπρώξτε με το ποτήρι σας το μοχλό του διανομέα νερού προς τα μέσα. Αν χρησιμοποιείτε μαλακό πλαστικό ποτήρι, θα είναι προτιμότερο να σπρώξετε το μοχλό με το χέρι σας.
2. Αφού γεμίσετε το ποτήρι ως τη στάθμη που θέλετε, ελευθερώστε το μοχλό.

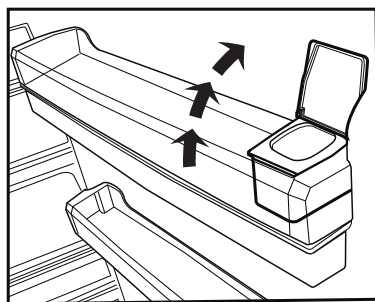
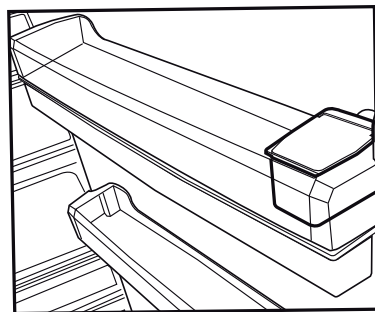


Παρακαλούμε να έχετε υπόψη σας, ότι η ροή του νερού από το διανομέα εξαρτάται από το πόσο πολύ πιέσετε το μοχλό. Καθώς αυξάνεται η στάθμη του νερού στο κύπελλο/ ποτήρι σας, μειώστε απαλά την πίεση στο μοχλό για να αποφύγετε υπερχειλίση. Αν πιέσετε ελαφρά το βραχίονα, το νερό θα στάξει. Αυτό είναι πολύ φυσιολογικό και όχι σύμπτωμα βλάβης.

5.18. Γέμισμα του δοχείου του διανομέα νερού

Το ρεζερβουάρ πλήρωσης του δοχείου νερού βρίσκεται μέσα στην υποδοχή της πόρτας.

1. Ανοίξτε το κάλυμμα του δοχείου.
2. Γεμίστε το δοχείο με φρέσκο πόσιμο νερό.
3. Κλείστε το κάλυμμα.



Μη γεμίσετε το δοχείο νερού με οποιοδήποτε άλλο υγρό εκτός από νερό. Οι χυμοί φρούτων, τα ανθρακούχα αναψυκτικά ή οινοπνευματώδη ποτά, κλπ. δεν είναι κατάλληλα για χρήση στο διανομέα νερού. Ο διανομέας νερού θα υποστεί ανεπανόρθωτη ζημιά αν χρησιμοποιηθούν αυτά τα είδη υγρών. Η εγγύηση δεν καλύπτει χρήσεις αυτού του είδους. Ορισμένες χημικές ουσίες και πρόσθετα που περιέχονται σε αυτά τα είδη ποτών/υγρών μπορεί να προξενήσουν ζημιά στο δοχείο νερού.



Να χρησιμοποιείτε μόνο καθαρό πόσιμο νερό.



Η χωρητικότητα του δοχείου νερού είναι 3 λίτρα. Μη γεμίζετε το δοχείο υπερβολικά.

5.19. Καθαρισμός του δοχείου νερού

1. Αφαιρέστε το ρεζερβουάρ προσθήκης νερού από μέσα από την υποδοχή πόρτας.
2. Αφαιρέστε την υποδοχή πόρτας κρατώντας την και από τις δύο πλευρές.
3. Πιάστε το δοχείο νερού και από τις δύο πλευρές και αφαιρέστε το υπό γωνία 45°C.
4. Αφαιρέστε το κάλυμμα του δοχείου νερού και καθαρίστε το δοχείο.

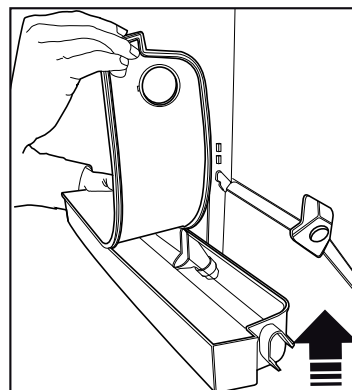
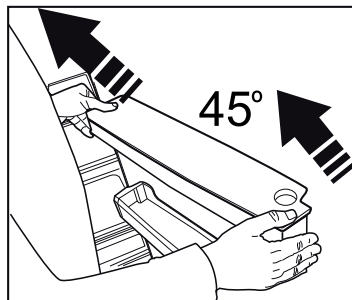
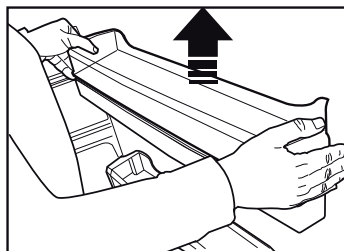
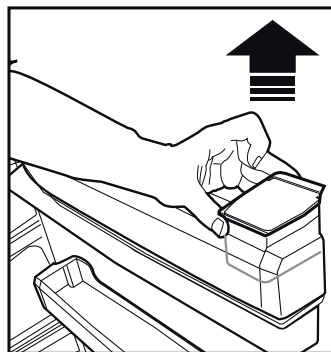
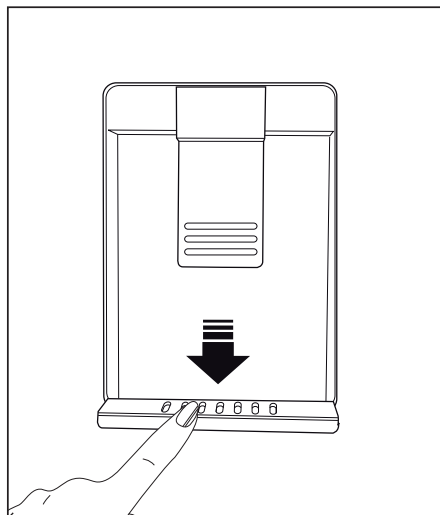


Τα μέρη του δοχείου νερού και του διανομέα νερού δεν πρέπει να πλένονται σε πλυντήριο πιάτων.

5.20. Δίσκος συλλογής σταγόνων

Σταγόνες νερού που τυχόν στάζουν ενώ χρησιμοποιείτε το διανομέα νερού συγκεντρώνονται στο δίσκο συλλογής σταγόνων. Αφαιρέστε το πλαστικό φίλτρο όπως δείχνει η εικόνα.

Με ένα καθαρό και στεγνό πανί, αφαιρέστε το νερό που έχει συσσωρευτεί.



5.21. Κατάψυξη νωπών τροφίμων

- Για να διατηρηθεί η ποιότητα των τροφίμων, τα είδη που τοποθετούνται μέσα στο θάλαμο συντήρησης πρέπει να καταψύχονται όσο το δυνατόν πιο γρήγορα, χρησιμοποιείτε τη λειτουργία ταχείας κατάψυξης.
- Η κατάψυξη των τροφίμων όταν είναι φρέσκα θα επεκτείνει το χρόνο φύλαξης στο θάλαμο κατάψυξης.
- Συσκευάζετε τα τρόφιμα σε αεροστεγείς συσκευασίες και καλά σφραγισμένα.
- Να βεβαιώνετε ότι τα τρόφιμα έχουν συσκευαστεί πριν τοποθετηθούν μέσα στην κατάψυξη. Να χρησιμοποιείτε δοχεία για κατάψυξη, αλουμινόχαρτο και χαρτί μη διαπερατό στην υγρασία, πλαστικές σακούλες ή παρόμοια υλικά συσκευασίας αντί για το παραδοσιακό χαρτί συσκευασίας.
- Αναγράψτε σε κάθε συσκευασία τροφίμων την ημερομηνία πριν την καταψύξετε. Έτσι θα μπορείτε εύκολα να διαπιστώσετε τη φρεσκάδα κάθε πακέτου, κάθε φορά που ανοίγετε την κατάψυξη. Διατηρείτε τα πιο παλιά είδη στο μπροστινό μέρος για να βεβαιωθείτε ότι θα χρησιμοποιηθούν πρώτα.
- Τα κατεψυγμένα τρόφιμα πρέπει να χρησιμοποιούνται αμέσως μετά την απόψυξη και δεν θα πρέπει να καταψύχονται πάλι.
- Μην καταψύχετε μεγάλες ποσότητες τροφίμων ταυτόχρονα.

5.22. Υποδείξεις για τη φύλαξη κατεψυγμένων τροφίμων

Η θερμοκρασία στο θάλαμο πρέπει να ρυθμιστεί σε τουλάχιστον -18°C .

1. Τοποθετήστε τα τρόφιμα στον καταψύκτη όσο το δυνατόν γρηγορότερα, για να αποφευχθεί η απόψυξη.
2. Πριν τα τοποθετήσετε στην κατάψυξη, ελέγξτε την “Ημερομηνία Λήξης” που αναγράφεται στη συσκευασία για να βεβαιωθείτε ότι δεν έχουν λήξει.
3. Βεβαιωθείτε ότι δεν υπάρχουν ζημιές στη συσκευασία των τροφίμων.

5.23. Λεπτομέρειες για τη βαθιά κατάψυξη

Σύμφωνα με τα πρότυπα IEC 62552, ο θάλαμος κατάψυξης πρέπει να έχει τουλάχιστον τη δυναμικότητα κατάψυξης 4,5 κιλών τροφίμων στους -18°C ή χαμηλότερες θερμοκρασίες σε 24 ώρες για κάθε 100 λίτρα όγκου του θαλάμου κατάψυξης. Τα τρόφιμα μπορούν να διατηρηθούν για παρατεταμένες περιόδους μόνο σε θερμοκρασίες -18°C ή χαμηλότερες. Μπορείτε να διατηρήσετε τα τρόφιμα φρέσκα για μήνες (στη βαθιά κατάψυξη σε ή κάτω από θερμοκρασίες -18°C).

Τα προς κατάψυξη τρόφιμα δεν πρέπει να έρχονται σε επαφή με τα ήδη καταψυγμένα τρόφιμα, για την αποφυγή μερικής απόψυξης των δεύτερων.

Βράστε τα λαχανικά και φιλτράρετε το νερό για να επεκτείνετε το χρόνο φύλαξης των κατεψυγμένων. Τοποθετείτε τα τρόφιμα σε αεροστεγείς συσκευασίες αφού τα φιλτράρετε και τοποθετήστε τα στην κατάψυξη. Μπανάνες, ντομάτες, μαρούλι, σέλινο, βραστά αυγά, πατάτες και παρόμοια τρόφιμα δεν πρέπει να καταψύχονται. Η κατάψυξη αυτών των τροφίμων απλά θα προκαλέσει μείωση της διατροφικής αξίας και της ποιότητας των τροφίμων, καθώς και ενδεχόμενη αλλοίωση που είναι επιβλαβής για την υγεία.

Χρήση του προϊόντος

Ρύθμιση θαλάμου Κατάψυξης	Ρύθμιση θαλάμου Συντήρησης	Περιγραφές
-18°C	4°C	Αυτή είναι η προεπιλεγμένη, συνιστώμενη ρύθμιση.
-20, -22 ή -24°C	4°C	Αυτές οι ρυθμίσεις συνιστώνται για θερμοκρασίες περιβάλλοντος που δεν υπερβαίνουν τους 30°C.
Hızlı Dondur	4°C	Χρησιμοποιείτε αυτή τη ρύθμιση για να καταψύξετε τρόφιμα σε σύντομο χρόνο, το προϊόν θα επανέλθει στις προηγούμενες ρυθμίσεις όταν ολοκληρωθεί η διαδικασία.
-18°C ή χαμηλότερη θερμοκρασία	2°C	Χρησιμοποιείτε αυτές τις ρυθμίσεις αν πιστεύετε ότι ο θάλαμος συντήρησης δεν είναι αρκετά κρύος, λόγω της θερμοκρασίας περιβάλλοντος ή συχνού ανοίγματος της πόρτας. Ψυγείο / Οδηγίες Χρήσης

5.24. Τοποθέτηση των τροφίμων

Ράφια θαλάμου κατάψυξης Ράφια θαλάμου	Διάφορα κατεψυγμένα τρόφιμα περιλαμβανομένου κρέατος, ψαριών, παγωτού, λαχανικών κλπ.
συντήρησης πόρτας	Τρόφιμα μέσα σε σκεύη, σκεπασμένα πιάτα και σκεπασμένες θήκες, αυγά (σε σκεπασμένες θήκες)
συντήρησης λαχανικών	Μικρά και συσκευασμένα τρόφιμα ή ποτά
θαλάμου	Φρούτα και λαχανικά
Διαμέρισμα νωπών τροφίμων	Ντελικατέσεν (είδη πρωινού, προϊόντα κρέατος για άμεση κατανάλωση)

5.25. Ειδοποίηση ανοικτής πόρτας (προαιρε.)

Θα ακουστεί μια ηχητική ειδοποίηση αν η πόρτα του προϊόντος παραμείνει ανοικτή για 1 λεπτό. Η ηχητική ειδοποίηση θα σταματήσει όταν κλείσετε την πόρτα ή πατήσετε οποιοδήποτε κουμπί στην οθόνη (αν διατίθεται).

5.26. Εσωτερικό φως

Για το εσωτερικό φως χρησιμοποιείται μια λάμπα τύπου LED. Για οποιαδήποτε προβλήματα με αυτή τη λάμπα απευθυνθείτε στο εξουσιοδοτημένο σέρβις.

6 Συντήρηση και καθαρισμός

Ο τακτικός καθαρισμός του προϊόντος θα επιμηκύνει την ωφέλιμη διάρκεια ζωής του.



ΠΡΟΕΙΔΟΠΟΙΗΣΗ: Αποσυνδέστε το ψυγείο από το ρεύμα δικτύου πριν τον καθαρισμό.

- Μη χρησιμοποιείτε εργαλεία που είναι αιχμηρά ή χαράζουν, σαπούνι, οικιακά καθαριστικά, απορρυπαντικά, αέριο, βενζίνη, αραιωτικά και παρόμοιες ουσίες για τον καθαρισμό.
- Διαλύστε μια κουταλιά του γλυκού μαγειρικής σόδας σε νερό. Υγράνετε στο νερό αυτό ένα πανί και στύψτε το. Σκουπίστε τη συσκευή με αυτό το πανί και στεγνώστε το σχολαστικά.
- Προσέξτε να κρατήσετε το νερό μακριά από το κάλυμμα της λάμπας και άλλα ηλεκτρικά εξαρτήματα.
- Καθαρίστε την πόρτα χρησιμοποιώντας ένα υγρό πανί. Αφαιρέστε όλα τα είδη μέσα από το ψυγείο για να αφαιρέσετε την πόρτα και τα ράφια των θαλάμων. Ανυψώστε τα ράφια πόρτας για να τα αποσυνδέσετε. Καθαρίστε και στεγνώστε τα ράφια, και κατόπιν επανατοποθετήστε τα συρτά από το πάνω μέρος.
- Μη χρησιμοποιείτε χλωρίνη ή καθαριστικά προϊόντα στην εξωτερική επιφάνεια και στα επιχρωμιωμένα μέρη του προϊόντος. Η χλωρίνη θα προκαλέσει σκουριά σε τέτοιες μεταλλικές επιφάνειες.

- Μη χρησιμοποιείτε εργαλεία που κόβουν και χαράζουν ή σαπούνι, οικιακά καθαριστικά, απορρυπαντικά βενζίνη, βενζόλιο, κεριά κλπ, διαφορετικά οι στάμπες στα πλαστικά εξαρτήματα θα σβήσουν και θα προκύψει παραμόρφωση. Για τον καθαρισμό χρησιμοποιήστε χλιαρό νερό και ένα μαλακό πανί και σκουπίστε για να στεγνώσει.

6.1. Αποτροπή δυσάρεστων οσμών

Το προϊόν κατασκευάζεται χωρίς υλικά που αναδίδουν οσμές. Ωστόσο, η φύλαξη των τροφίμων σε ακατάλληλα τμήματα και ο ακατάλληλος καθαρισμός των εσωτερικών επιφανειών μπορεί να έχει ως αποτέλεσμα ανάπτυξη δυσάρεστων οσμών.

Για να το αποφύγετε αυτό, καθαρίζετε το εσωτερικό με διάλυμα μαγειρικής σόδας σε νερό κάθε 15 ημέρες.

- Να διατηρείτε τα τρόφιμα σε κλειστά δοχεία. Από τα μη σφραγισμένα τρόφιμα μπορεί να εξαπλωθούν μικροοργανισμοί και να προκληθούν δυσάρεστες οσμές.
- Μην τοποθετείτε μέσα στο ψυγείο ληγμένα και αλλοιωμένα τρόφιμα.

6.2. Προστασία των πλαστικών επιφανειών

Αν χυθεί λάδι στις πλαστικές επιφάνειες μπορεί να προκληθεί ζημιά στην επιφάνεια και πρέπει να καθαρίζονται άμεσα με χλιαρό νερό.

6.3. Τζάμια πόρτας

- Αυτά τα τζάμια είναι σκληρυμένα για να αυξηθεί η ανθεκτικότητά τους σε κτυπήματα και θραύση.
- Επίσης, στην πίσω επιφάνειά τους έχει εφαρμοστεί μια μεμβράνη ασφαλείας, ως πρόσθετο μέτρο ασφαλείας, για να αποτρέψει την πρόκληση ζημιάς από τα τζάμια στα γύρω αντικείμενα σε περίπτωση θραύσης.
- Αφαιρέστε την προστατευτική μεμβράνη από τα τζάμια.
- Υπάρχει μια επικάλυψη στην επιφάνεια των τζαμιών. Αυτή η επικάλυψη ελαχιστοποιεί τη συσσώρευση λεκέδων και βοηθά να αφαιρούνται εύκολα ενδεχόμενοι λεκέδες και ρύποι. Τα τζάμια που δεν προστατεύονται από τέτοια επικάλυψη μπορεί να υπόκεινται σε επίμονη προσκόλληση οργανικών ή ανόργανων ρύπων βάσης αέρα ή νερού, όπως άλατα σκληρότητας, ανόργανα άλατα, άκαυστους υδρογονάνθρακες, μεταλλικά οξείδια και σιλικόνες, τα οποία μπορούν να προκαλέσουν εύκολα και γρήγορα λεκέδες ή υλική ζημιά. Η διατήρηση της καθαριότητας των τζαμιών γίνεται υπερβολικά δύσκολη παρά τον τακτικό καθαρισμό. Επομένως, υποβαθμίζεται η εμφάνιση και η διαφάνεια του τζαμιού. Οι σκληρές και διαβρωτικές μέθοδοι καθαρισμού και τα παρόμοια καθαριστικά θα επιδεινώσουν αυτά τα προβλήματα και θα επιταχύνουν την υποβάθμιση.
- Για τον τακτικό καθαρισμό πρέπει να χρησιμοποιούνται καθαριστικά προϊόντα βάσης νερού τα οποία δεν είναι αλκαλικά και διαβρωτικά.
- Για τον καθαρισμό πρέπει να χρησιμοποιούνται μη αλκαλικά και μη διαβρωτικά υλικά ώστε να διατηρηθεί για μεγάλο χρονικό διάστημα η ωφέλιμη ζωή αυτής της επικάλυψης.
- Αυτά τα τζάμια είναι σκληρυμένα για να αυξηθεί η ανθεκτικότητά τους σε κτυπήματα και θραύση.
- Επίσης, στην πίσω επιφάνειά τους έχει εφαρμοστεί μια μεμβράνη ασφαλείας, ως πρόσθετο μέτρο ασφαλείας, για να αποτρέψει την πρόκληση ζημιάς από τα τζάμια στα γύρω αντικείμενα σε περίπτωση θραύσης.
- *Το άλκαλι είναι μια βάση η οποία σχηματίζει ιόντα υδροξυλίου (OH^-) όταν διαλύεται σε νερό.
- Τα μέταλλα Li (λίθιο), Na (νάτριο), K (κάλιο), Rb (ρουβίδιο), Cs (καίσιο) και το τεχνητό και ραδιενεργό μέταλλο Fr (φράγκιο) ονομάζονται ΑΛΚΑΛΙΚΑ ΜΕΤΑΛΛΑ.

7 Επίλυση προβλημάτων

Ελέγξτε αυτή τη λίστα πριν απευθυνθείτε στο σέρβις. Αν το κάνετε αυτό θα εξοικονομήσετε χρόνο και χρήματα. Αυτή η λίστα περιλαμβάνει συχνά παράπονα που δεν έχουν σχέση με ελαττωματική εργασία ή υλικά. Ορισμένες λειτουργίες που αναφέρονται εδώ ίσως να μην έχουν εφαρμογή στο προϊόν σας.

Το ψυγείο δεν λειτουργεί.

- Το φινις ρευματοληψίας δεν έχει εισαχθεί πλήρως. >>> *Συνδέστε το ώστε να εισέλθει πλήρως στην πρίζα.*
- Έχει καεί η ασφάλεια που συνδέεται στην πρίζα που τροφοδοτεί το προϊόν ή η γενική ασφάλεια. >>> *Ελέγξτε τις ασφάλειες.*

Συμπύκνωση στο πλευρικό τοίχωμα του θαλάμου συντήρησης (MULTI ZONE, COOL, CONTROL και FLEXI ZONE).

- Το περιβάλλον είναι πολύ κρύο. >>> *Μην εγκαταστήσετε το προϊόν σε περιβάλλον με θερμοκρασία κάτω από -5°C.*
- Η πόρτα ανοιγόταν πολύ συχνά >>> *Προσέξτε να μην ανοίγετε πολύ συχνά την πόρτα του προϊόντος.*
- Το περιβάλλον είναι πολύ υγρό. >>> *Μην εγκαταστήσετε το προϊόν σε υγρό περιβάλλον.*
- Τρόφιμα που περιέχουν υγρά φυλάσσονται σε ανοικτά δοχεία. >>> *Να διατηρείτε τα τρόφιμα που περιέχουν υγρά σε κλειστά δοχεία.*
- Η πόρτα του προϊόντος έχει μείνει ανοικτή. >>> *Μην κρατάτε την πόρτα του προϊόντος ανοικτή για πολλή ώρα.*
- Ο θερμοστάτης έχει ρυθμιστεί σε πολύ χαμηλή θερμοκρασία. >>> *Ρυθμίστε το θερμοστάτη σε κατάλληλη θερμοκρασία.*

Ο συμπιεστής δεν λειτουργεί.

- Σε περίπτωση αιφνίδιας διακοπής ρεύματος ή αποσύνδεσης του φινις ρευματοληψίας από την πρίζα και επανασύνδεσής του, η πίεση αερίου στο ψυκτικό σύστημα του προϊόντος δεν είναι ισορροπημένη, με αποτέλεσμα να ενεργοποιείται η θερμική προστασία του συμπιεστή. Το προϊόν θα αρχίσει πάλι να λειτουργεί μετά από περίπου 6 λεπτά. Αν η λειτουργία του προϊόντος δεν ξεκινήσει πάλι μετά από αυτό το χρονικό διάστημα, απευθυνθείτε στο σέρβις.
- Η απόψυξη είναι ενεργή. >>> *Αυτό είναι φυσιολογικό για προϊόν με πλήρως αυτόματα απόψυξη. Η απόψυξη διενεργείται περιοδικά.*
- Το προϊόν δεν έχει συνδεθεί στην πρίζα. >>> *Βεβαιωθείτε ότι έχει συνδεθεί το καλώδιο ρεύματος.*
- Η ρύθμιση θερμοκρασίας είναι λανθασμένη. >>> *Επιλέξτε την κατάλληλη ρύθμιση θερμοκρασίας.*
- Έγινε διακοπή ρεύματος. >>> *Το προϊόν θα συνεχίσει να λειτουργεί κανονικά όταν αποκατασταθεί το ρεύμα.*

Ο θόρυβος λειτουργίας του ψυγείου αυξάνεται κατά τη χρήση.

- Η απόδοση λειτουργίας του προϊόντος μπορεί να διαφέρει ανάλογα με τις μεταβολές της θερμοκρασίας περιβάλλοντος. Αυτό είναι φυσιολογικό και δεν αποτελεί δυσλειτουργία.

Το ψυγείο τίθεται σε λειτουργία πολύ συχνά ή όχι για πολύ χρόνο.

Επίλυση προβλημάτων

- Το νέο προϊόν μπορεί να είναι μεγαλύτερο από το προηγούμενο. Τα μεγαλύτερα προϊόντα θα λειτουργούν για μεγαλύτερη χρονική διάρκεια.
- Η θερμοκρασία του δωματίου μπορεί να είναι υψηλή. >>> Το προϊόν κανονικά θα λειτουργεί για μεγαλύτερα χρονικά διαστήματα για μεγαλύτερη θερμοκρασία δωματίου.
- Το προϊόν μπορεί να έχει συνδεθεί πρόσφατα στην πρίζα ή μπορεί να τοποθετήθηκαν νέα τρόφιμα στο εσωτερικό του. >>> Θα χρειαστεί περισσότερος χρόνος για να φθάσει το προϊόν τη ρυθμισμένη θερμοκρασία όταν έχει συνδεθεί πρόσφατα στην πρίζα ή τοποθετήθηκαν νέα τρόφιμα στο εσωτερικό του. Αυτό είναι φυσιολογικό.
- Μπορεί να τοποθετήθηκαν πρόσφατα μεγάλες ποσότητες θερμών τροφίμων μέσα στο προϊόν. >>> Μην τοποθετείτε μέσα στο προϊόν ζεστά τρόφιμα.
- Οι πόρτες ανοίγονταν συχνά ή διατηρήθηκαν ανοικτές για μεγάλες χρονικές περιόδους. >>> Ο ζεστός αέρας που εισέρχεται στο εσωτερικό του, θα κάνει το προϊόν να λειτουργεί για περισσότερο χρόνο. Μην ανοίγετε τις πόρτες πολύ συχνά.
- Η πόρτα κατάψυξης ή συντήρησης μπορεί να είναι μισάνοιχτη. >>> Ελέγξτε ότι οι πόρτες έχουν κλείσει καλά.
- Το προϊόν μπορεί να έχει ρυθμιστεί σε πολύ χαμηλή θερμοκρασία. >>> Ρυθμίστε τη θερμοκρασία σε υψηλότερη θερμοκρασία και περιμένετε να επιτύχει το προϊόν τη ρυθμισμένη θερμοκρασία.
- Η στεγανοποίηση της πόρτας συντήρησης ή κατάψυξης μπορεί να είναι λερωμένη, φθαρμένη, σπασμένη ή να μην εδράζει σωστά. >>> Καθαρίστε ή αντικαταστήστε τη στεγανοποίηση. Αν η στεγανοποίηση της πόρτας έχει υποστεί ζημιά / φθορά, το προϊόν θα λειτουργεί για μεγαλύτερες περιόδους για να διατηρήσει την τρέχουσα θερμοκρασία.

Η θερμοκρασία κατάψυξης είναι πολύ χαμηλή, αλλά η θερμοκρασία της συντήρησης είναι επαρκής.

- Η θερμοκρασία του θαλάμου κατάψυξης έχει ρυθμιστεί σε πολύ μικρή τιμή. >>> Ρυθμίστε τη θερμοκρασία του θαλάμου κατάψυξης σε υψηλότερη τιμή και ελέγξτε πάλι.

Η θερμοκρασία συντήρησης είναι πολύ χαμηλή, αλλά η θερμοκρασία της κατάψυξης είναι επαρκής.

- Η θερμοκρασία του θαλάμου συντήρησης έχει ρυθμιστεί σε πολύ μικρή τιμή. >>> Ρυθμίστε τη θερμοκρασία του θαλάμου συντήρησης σε υψηλότερη τιμή και ελέγξτε πάλι.

Τα τρόφιμα που φυλάσσονται στα συρτάρια του θαλάμου συντήρησης είναι παγωμένα.

- Η θερμοκρασία του θαλάμου συντήρησης έχει ρυθμιστεί σε πολύ μικρή τιμή. >>> Ρυθμίστε τη θερμοκρασία του θαλάμου κατάψυξης σε υψηλότερη τιμή και ελέγξτε πάλι.

Η θερμοκρασία στη συντήρηση ή κατάψυξης είναι πολύ υψηλή.

- Η θερμοκρασία του θαλάμου συντήρησης έχει ρυθμιστεί σε πολύ υψηλή τιμή. >>> Η ρύθμιση της θερμοκρασίας θαλάμου συντήρησης επηρεάζει τη θερμοκρασία θαλάμου κατάψυξης. Αλλάξτε τη θερμοκρασία του θαλάμου συντήρησης ή κατάψυξης και περιμένετε έως ότου οι αντίστοιχοι θάλαμοι έχουν επιτύχει το ρυθμισμένο επίπεδο θερμοκρασίας.
- Οι πόρτες ανοίγονταν συχνά ή διατηρήθηκαν ανοικτές για μεγάλες χρονικές περιόδους. >>> Μην ανοίγετε τις πόρτες πολύ συχνά.
- Η πόρτα μπορεί να είναι μισάνοιχτη. >>> Κλείστε τελείως την πόρτα.
- Το προϊόν μπορεί να έχει συνδεθεί πρόσφατα στην πρίζα ή μπορεί να τοποθετήθηκαν νέα τρόφιμα στο εσωτερικό του. >>> Αυτό είναι φυσιολογικό. Θα χρειαστεί περισσότερος χρόνος για να φθάσει το προϊόν τη ρυθμισμένη θερμοκρασία όταν έχει συνδεθεί πρόσφατα στην πρίζα ή τοποθετήθηκαν νέα τρόφιμα στο εσωτερικό του.
- Μπορεί να τοποθετήθηκαν πρόσφατα μεγάλες ποσότητες θερμών τροφίμων μέσα στο προϊόν. >>> Μην τοποθετείτε μέσα στο προϊόν ζεστά τρόφιμα.

Επίλυση προβλημάτων

Ταλάντευση ή θόρυβος

- Το δάπεδο δεν είναι επίπεδο, οριζόντιο και ανθεκτικό. >>> *Αν το προϊόν ταλαντεύεται όταν το μετακινείτε αργά, ρυθμίστε τα πόδια για να ισορροπήσετε το προϊόν. Επίσης βεβαιωθείτε ότι το δάπεδο έχει αρκετή φέρουσα ικανότητα ώστε να αντέχει το προϊόν.*
- Οποιαδήποτε είδη έχουν τοποθετηθεί πάνω στο προϊόν μπορεί να προκαλέσουν θόρυβο. >>> *Αφαιρέστε οποιαδήποτε είδη έχουν τοποθετηθεί πάνω στο προϊόν.*

Το προϊόν παράγει θόρυβο ροής ή ψεκασμού υγρού κλπ.

- Οι αρχές λειτουργίας του προϊόντος περιλαμβάνουν ροή υγρού και αερίου. >>> *Αυτό είναι φυσιολογικό και δεν αποτελεί δυσλειτουργία.*

Ακούγεται φύσημα αέρα από το προϊόν.

- Το προϊόν χρησιμοποιεί έναν ανεμιστήρα για τη διαδικασία ψύξης. Αυτό είναι φυσιολογικό και δεν αποτελεί δυσλειτουργία.

Υπάρχει συμπύκνωση στα εσωτερικά τοιχώματα του προϊόντος.

- Ο θερμός ή υγρός καιρός μπορεί να αυξήσει τη συσσώρευση πάγου και τη συμπύκνωση. Αυτό είναι φυσιολογικό και δεν αποτελεί δυσλειτουργία.
- Οι πόρτες ανοίγονταν συχνά ή διατηρήθηκαν ανοικτές για μεγάλες χρονικές περιόδους. >>> *Μην ανοίγετε τις πόρτες πολύ συχνά, αν κάποια πόρτα είναι ανοικτή, κλείστε την.*
- Η πόρτα μπορεί να είναι μισάνοιχτη. >>> *Κλείστε τελείως την πόρτα.*

Υπάρχει συμπύκνωση στα εξωτερικά τοιχώματα του προϊόντος ή ανάμεσα στις πόρτες.

- Ο καιρός μπορεί να είναι υγρός, αυτό είναι πολύ φυσιολογικό σε κρύο καιρό. >>> *Η συμπύκνωση θα πάψει όταν μειωθεί η υγρασία.*

Δυσосμία στο εσωτερικό.

- Το προϊόν δεν καθαρίζεται τακτικά. >>> *Καθαρίζετε το εσωτερικό τακτικά με σφουγγάρι, χλιαρό νερό και διάλυμα μαγειρικής σόδας σε νερό.*
- Ορισμένες συσκευασίες και υλικά συσκευασίας μπορεί να παράγουν οσμές. >>> *Χρησιμοποιείτε δοχεία και υλικά συσκευασίας που δεν παράγουν οσμές.*
- Τα τρόφιμα τοποθετήθηκαν σε μη σφραγισμένα δοχεία. >>> *Να διατηρείτε τα τρόφιμα σε σφραγισμένα δοχεία. Από τα μη σφραγισμένα τρόφιμα μπορεί να εξαπλωθούν μικροοργανισμοί και να προκληθούν δυσάρεστες οσμές.*
- Απομακρύνετε από το προϊόν τυχόν τρόφιμα που έχουν λήξει ή αλλοιωθεί.

Η πόρτα δεν κλείνει.

- Οι συσκευασίες των τροφίμων μπορεί να εμποδίζουν την πόρτα. >>> *Αλλάξτε θέση σε τυχόν είδη που εμποδίζουν τις πόρτες.*
- Το προϊόν δεν στέκεται σε τελείως όρθια θέση στο δάπεδο. >>> *Ρυθμίστε τα πόδια για να ισορροπήσετε σωστά το προϊόν.*
- Το δάπεδο δεν είναι επίπεδο, οριζόντιο και ανθεκτικό. >>> *Βεβαιωθείτε ότι το δάπεδο είναι επίπεδο και οριζόντιο και αρκετά ανθεκτικό για το βάρος του προϊόντος.*

Το συρτάρι λαχανικών έχει σφηνώσει.

- Τα τρόφιμα μπορεί να έρχονται σε επαφή με το άνω τμήμα του συρταριού. >>> *Αναδιοργανώστε τα τρόφιμα μέσα στο συρτάρι.*



ΠΡΟΕΙΔΟΠΟΙΗΣΗ: Αν το πρόβλημα επιμένει αφού ακολουθήσετε τις οδηγίες σε αυτή την ενότητα, απευθυνθείτε στο κατάστημα αγοράς ή σε Εξουσιοδοτημένο σέρβις. Μην επιχειρήσετε να επισκευάσετε μόνοι σας το προϊόν.

ΠΑΡ. ΣΕΪΤΑΝΙΔΗΣ Α.Ε.

ΠΟΛΥΣΤΥΛΟ ΚΑΒΑΛΑΣ ΤΗΛ 2510 392 180-3
ΥΠΟΚΑΤΑΣΤΗΜΑ ΑΘΗΝΩΝ
ΑΛΙΜΟΥ 8 ΚΑΙ ΖΑΛΟΓΓΟΥ, ΑΛΙΜΟΣ
ΤΗΛ 211 012 2829-30-31-32
E-mail: seitanidis@otenet.gr



ΕΓΓΥΗΣΗ

Η εταιρεία ΠΑΡ.ΣΕΪΤΑΝΙΔΗΣ Α.Ε. σας ευχαριστεί για την προτίμηση που δείξατε αγοράζοντας τις συσκευές beko και σας παρέχει τον παρακάτω χρόνο εγγύησης από την ημερομηνία αγοράς τους. Αν μέσα στην διάρκεια της εγγύησης η συσκευή σας χρειαστεί επισκευή, μπορείτε να ενημερωθείτε για τα εξουσιοδοτημένα service από το τηλεφωνικό κέντρο της εταιρεία μας στο τηλέφωνο **2510 392511 / 2510 392512**

ΨΥΓΕΙΑ	3 ΧΡΟΝΙΑ	ΚΑΤΑΨΥΚΤΕΣ	3 ΧΡΟΝΙΑ
ΚΟΥΖΙΝΕΣ	3 ΧΡΟΝΙΑ	ΦΟΥΡΝΟΙ ΜΙΚΡΟΚΥΜΑΤΩΝ	2 ΧΡΟΝΙΑ
ΠΑΛΥΝΤΗΡΙΑ	3 ΧΡΟΝΙΑ	ΜΙΚΡΟΣΥΣΚΕΥΕΣ - ΣΚΟΥΠΕΣ	2 ΧΡΟΝΙΑ

ΟΝΟΜΑΤΕΠΩΝΥΜΟ ΑΓΟΡΑΣΤΗ..... ΑΡ. ΕΓΓΥΗΣΗΣ.....

..... ΑΡ. ΠΑΡΑΣΤΑΤ. ΑΓΟΡΑΣ.....

ΔΙΕΥΘΥΝΣΗ..... ΜΟΝΤΕΛΟ ΣΥΣΚΕΥΗΣ.....

..... ΣΕΙΡΙΑΚΟΣ ΑΡΙΘΜΟΣ ΣΥΣΚΕΥΗΣ.....

ΤΗΛ : ΗΜΕΡ/ΝΙΑ ΑΓΟΡΑΣ.....

ΣΦΡΑΓΙΔΑ & ΥΠΟΓΡΑΦΗ ΠΩΛΗΤΗ.....



ΑΡ. ΕΓΓΥΗΣΗΣ.....

ΑΡ. ΠΑΡΑΣΤΑΤ. ΑΓΟΡΑΣ.....

ΟΝΟΜΑΤΕΠΩΝΥΜΟ ΑΓΟΡΑΣΤΗ..... ΜΟΝΤΕΛΟ ΣΥΣΚΕΥΗΣ.....

..... ΣΕΙΡΙΑΚΟΣ ΑΡΙΘΜΟΣ ΣΥΣΚΕΥΗΣ.....

ΔΙΕΥΘΥΝΣΗ..... ΗΜΕΡ/ΝΙΑ ΑΓΟΡΑΣ.....

.....

ΤΗΛ : **ΣΦΡΑΓΙΔΑ & ΥΠΟΓΡΑΦΗ ΠΩΛΗΤΗ.....**

.....

ΟΡΟΙ ΚΑΙ ΠΡΟΫΠΟΘΕΣΕΙΣ ΙΣΧΥΟΣ ΤΗΣ ΠΑΡΟΥΣΗΣ ΕΓΓΥΗΣΗΣ

1. Για να ισχύει η παρούσα εγγύηση θα πρέπει να συμπληρωθούν πλήρως και να υπογραφούν δεόντως με φροντίδα του πελάτη και τα δύο μέρη της εγγύησης. Το απόκομμα για την εταιρεία θα πρέπει να ταχυδρομηθεί με συστημένη επιστολή ή να προσκομηθεί στα γραφεία της εταιρείας μας (Πολύστιλο Καβάλας Τ.Θ 1402 , Τ.Κ.64003) εντός 10 ημερών από την ημερομηνία αγοράς.
2. Η εργοστασιακή εγγύηση καλύπτει τον χρόνο που αναγράφεται στον σχετικό πίνακα για κάθε συσκευή, κάθε ανωμαλία ή βλάβη που οφείλεται αποκλειστικά σε κατασκευαστικό ελάττωμα ή ελαττωματικό εξάρτημα της συσκευής. Η αποκατάσταση της βλάβης γίνεται εντελώς δωρεάν δια της αντικατάστασης ή επισκευής του ελαττωματικού εξαρτήματος. Σε καμία περίπτωση δεν προβλέπεται η **αντικατάσταση** της συσκευής. Ο καταναλωτής οφείλει με δικές του δαπάνες να πάει την συσκευή στο κοντινότερο εξουσιοδοτημένο service της εταιρίας.
3. Η εταιρεία μας διατηρεί το δικαίωμα να καθορίζει τον τρόπο και τόπο επισκευής των βλαβών κατά την απόλυτη κρίση της .
4. Η εγγύηση δεν καλύπτει βλάβες που οφείλονται άμεσα ή έμμεσα σε αμέλεια , παράλειψη , κακή εγκατάσταση και πάσης φύσεως επέμβαση στη συσκευή από μη εξουσιοδοτημένο συνεργείο , κακή χρήση και ελλιπή συντήρηση της συσκευής. Επίσης η εταιρεία μας δεν ευθύνεται για βλάβες που οφείλονται σε κακή ηλεκτρική σύνδεση σε τάση διαφορετική από την αναγραφόμενη στη πινακίδα της συσκευής , σε μη γειωμένο ρευματοδότη ή σε μεταβολές τάσης της. Στις καλύψεις της εγγύησης δεν συμπεριλαμβάνονται τα εύθραυστα εξαρτήματα όπως ενδεικτικά αναφέρουμε : γυάλινες και πλαστικές επιφάνειες , λυχνίες κ.α.
5. Η εγγύηση παρέχεται προς τον αρχικό αγοραστή και ισχύει από την ημερομηνία αγοράς της συσκευής.
6. Η παρούσα εγγύηση πρέπει να συνοδεύεται από τιμολόγιο ή δελτίο λιανικής πώλησης ή φωτοαντίγραφο **αυτού**.

Αποφύγετε την αλλοίωση της εγγύησης και της πινακίδας μητρώου που βρίσκεται στο πίσω μέρος της συσκευής.

Φυλάξτε την εγγύηση και μετά την λήξη της.

Προσκομίστε την σε κάθε αίτημα για επισκευή.

ΠΡΟΣΟΧΗ

ΣΕ ΠΕΡΙΠΤΩΣΗ ΠΟΥ ΔΕΝ ΣΤΑΛΕΙ Η ΚΑΡΤΑ ΕΓΓΥΗΣΕΩΣ ΕΝΤΟΣ 10 ΗΜΕΡΩΝ ΣΤΗΝ ΕΤΑΙΡΕΙΑ ΔΕΝ ΙΣΧΥΕΙ Η ΕΓΓΥΗΣΗ ΤΗΣ ΣΥΣΚΕΥΗΣ ΠΟΥ ΕΠΙΛΕΞΑΤΕ

SERVICE ΔΕΥΚΩΝ ΣΥΣΚΕΥΩΝ

ΑΘΗΝΑ ΜΑΚΡΗΣ ΦΩΤΙΟΣ	210 2116649 6932366733	ΘΕΣΣΑΛΟΝΙΚΗ ΓΙΑΓΟΥΡΗΣ Π. Κ ΣΙΑ Ο.Ε.	6947424284 6936065106
ΠΑΤΡΑ ΧΟΡΜΠΑΣ ΝΙΚΟΛΑΟΣ	2610 640810 6932 437700	ΒΟΛΟΣ ΝΑΟΥΜΙΔΗΣ ΓΕΩΡΓΙΟΣ	22410 94130 6981972363
ΙΩΑΝΝΙΝΑ ΤΣΟΥΓΙΑΣ ΧΡΗΣΤΟΣ	26510 31947 6945 306990	ΚΟΜΟΤΗΝΗ ΠΑΠΑΖΟΥΔΗΣ ΚΩΝΣΤΑΝΤΙΝΟΣ	25310 33711 6932 587473

SERVICE ΘΗΛΕΟΡΑΣΕΩΝ – HIFI

ΑΘΗΝΑ ΜΑΝΩΛΟΠΟΥΛΟΣ ΓΕΩΡΓΙΟΣ	210 8836512	ΘΕΣΣΑΛΟΝΙΚΗ ΣΑΜΙΟΣ ΠΑΡΑΣΧΟΣ	2310 429229
ΠΑΤΡΑ ΗΛΙΟΠΟΥΛΟΣ ΔΗΜΗΤΡΙΟΣ	2610 622388	ΒΟΛΟΣ ΜΑΡΓΑΡΙΤΟΥΛΗΣ ΘΕΟΔΩΡΟΣ	24210 30113



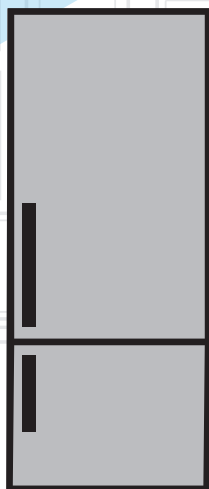
ΠΡΟΣ : **beko**

ΧΩΡΟΣ
ΓΡΑΜ / ΜΟΥ

ΠΑΡ. ΣΕΪΤΑΝΙΔΗΣ Α.Ε.

ΠΟΛΥΣΤΥΛΟ ΚΑΒΑΛΑΣ
Τ.Θ 1402 , Τ.Κ.64003
ΤΗΛ 2510 392180-3

Hűtőszekrény Használati útmutató



HUI

beko

Tisztelt vásárlónk!

Bízunk benne, hogy termékünk, mely egy modern gyárban készült, és a legaprólékosabb minőségirányítási eljárások alapján lett tesztelve, hatékony szolgáltatást fog biztosítani az Ön számára. Ehhez azt javasoljuk, hogy használat előtt alaposan olvassa el a teljes használati útmutatót, és azt ne dobja ki, mert a jövőben még szüksége lehet rá.. Ha a terméket átadja egy másik személynek, a termékek együtt adja át ezt a használati útmutatót is.

Ez a használati útmutató segít a készüléket gyors és biztonságos módon használni.

- A termék beszerelése és használata előtt olvassa el a használati útmutatót.
- Mindig tartsa be az alkalmazható biztonsági előírásokat.
- A használati útmutatót tartsa olyan helyen, ahol a jövőben könnyen hozzá tud férni.
- Olvassa el a többi dokumentumot is, melyet a termékhez kapott.

Ne feledje, ez a használati útmutató más modellekre is érvényes lehet. A használati útmutató egyértelműen jelöli a különböző modellek közötti eltéréseket.

Szimbólumok és észrevételek

Ez a használati útmutató a következő szimbólumokat tartalmazza:

	Fontos információ vagy hasznos tippek
	Figyelmeztetés élet vagy tulajdonra veszélyes körülményekre.
	Figyelmeztetés áreműtés veszélyére.
	A termék csomagolása újrahasznosítható anyagból készült a Nemzeti környezetvédelmi törvényeknek megfelelően.

Tartalomjegyzék

1 Biztonsági és környezetvédelmi figyelmeztetések	3	5 A termék használata	13
1.1. Általános biztonság	3	5.1. Hőmérsékletszabályzó gomb	13
1.1.1 HC figyelmeztetés	5	5.2. Gyorsfagyasztás	13
1.1.2 Víztartállyal ellátott termékek esetén	5	5.3. Vakáció funkció	14
1.2. Rendeltetésszerű használat	6	5.4. Kijelző panel	15
1.3. Gyermekbiztonság	6	5.5. Jégvödör	18
1.4. A WEEE-irányelvnek való megfelelés és a hulladék termék megsemmisítése	6	5.6. Tojástartó	18
1.5. A RoHS-irányelvnek való megfelelés	6	5.7. Ventilátor	18
1.6. Csomagolásra vonatkozó információ	6	5.8. Zöldségtartó	18
2 Hűtőszekrény	7	5.9. Nullfokos tárolórekesz	18
3 Üzembe helyezés	8	5.10. Mozdó ajtórekesz	19
3.1. Right place for installation	8	5.11. Csúszó tárolódoboz	19
3.2. A műanyag ékek rögzítése	8	5.12. Ellenőrzött páratartalmú zöldségtartó	20
3.3. A lábak beállítása	8	5.13. Automatikus jégkockakészítő	20
3.4. Elektromos összeköttetés	9	5.14. Icematic és jégdoboz	21
3.5. Az ajtónyitás megfordítása	10	5.15. A vízadagoló használata	21
3.6. Az ajtónyitás megfordítása	11	5.16. A víztartály feltöltése	22
4 Előkészítés	12	5.17. A víztartály tisztítása	23
4.1. Teendők az energiatakarékosság érdekében	12	5.18. Csepegtetőtálca	24
4.2. Az első használat	12	5.19. Friss étel lefagyasztása	25
		5.20. Tippek a fagyasztott ételek tárolásához	25
		5.21. Tudnivalók a mélyfagyasztásról	25
		5.22. Az élelmiszer elhelyezése	26
		5.23. Nyitott ajtó riasztás	26
		5.24. Belső világítás	26
		5.25. Az ajtó nyitási irányának módosítása	26
		6 Tisztítás és karbantartás	27
		6.1. A kellemetlen szagok elkerülése	27
		6.2. A műanyag felületek védelme	27
		7 A problémák javasolt megoldása	28

1 Biztonsági és környezetvédelmi figyelmeztetések

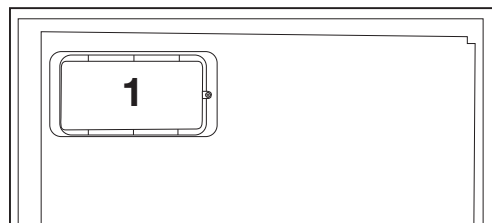
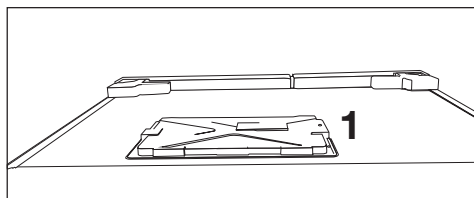
Ez a rész a sérülések vagy anyagi károk elkerüléséhez szükséges biztonsági utasításokat tartalmazza. A következő információk figyelmen kívül hagyása esetén valamennyi garancia érvényét veszti.

1.1. Általános biztonság

- A készüléket nem tervezték korlátozott fizikai, érzékelő vagy mentális képességekkel rendelkező, illetve gyakorlatlan személy vagy gyermekek által történő használatra, kivéve, ha az ilyen személy felügyeletét valamely, annak biztonságáért felelős személy látja el, illetve ha ez a személy a készülék használatára vonatkozóan útmutatást biztosít. Ne hagyja a gyermekeket játszani ezzel a termékkel.
- Rendellenes működés esetén húzza ki a készüléket a konnektorból.
- A kihúzás után várjon legalább 5 percet a készülék ismételt bekapcsolása előtt. Amennyiben nem használja, húzza ki a hűtőszekrényt. A készülék bedugásakor soha ne fogja meg nedves kézzel a dugót! A hűtőszekrényt mindig a dugónál fogva húzza ki a konnektorból.

- A bedugás előtt a dugó hegyét törölje meg mindig egy száraz ronggyal.
- A hűtőszekrényt ne csatlakoztassa laza konnektorba.
- Elhelyezés, karbantartás, tisztítás és javítás esetén húzza ki a terméket a konnektorból.
- Amennyiben hosszú ideig nem használja, húzza ki a hűtőszekrényt és távolítsa el az élelmiszereket.
- Ne használjon gőzt vagy gőzzel tisztító szereket a hűtőszekrény tisztításához és a belsejében lévő jég leolvasztásához. A gőz érintkezhet a feszültség alatt lévő területekkel, rövidzárlatot vagy áramütést okozhat!
- A készüléket ne mossa el vizet szórva vagy öntve a hűtőszekrény belsejébe! Áramütés veszélye!
- Soha ne használja a terméket, ha a termék tetején vagy a hátoldalán található, belsejében nyomtatott áramkört tartalmazó elektronikus szakasz nyitva van (elektronikus nyomtatott áramkör fedél) (1).

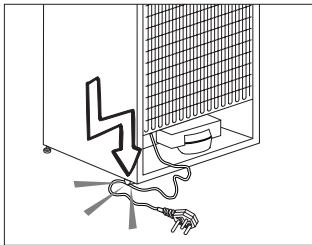
Biztonsági és környezetvédelmi figyelmeztetések



- Rendellenesség esetén ne használja a terméket, mivel áramütés veszélye áll fenn. Bármilyen művelet elvégzése esetén lépjen kapcsolatba a hivatalos szolgáltatóval.
- A hűtőszekrényt egy olyan földelt aljzathoz csatlakoztassa. A földelést szakképzett villanyszerelő végezze el.
- Ha a termék LED típusú világítással rendelkezik lépjen kapcsolatba a hivatalos szolgáltatóval bármilyen csere vagy bármilyen rendellenesség esetén.
- Ne érjen nedves kézzel a fagyasztott élelmiszerekhez! Ezek a kezéhez tapadhatnak!
- Ne helyezzen folyadékot tartalmazó üvegeket és edényeket a fagyasztóba. Ezek szétrobbanhatnak!
- A folyadékokat függőlegesen helyezze el, szorosan lezárt fedéllel.
- Ne fújjon ki gyúlékony anyagokat a hűtőszekrény közelében, mert tűz keletkezhet, vagy felrobbanhat.
- Soha ne tároljon a hűtőben gyúlékony anyagokat vagy gyúlékony gázt tartalmazó termékeket (spray, stb.).
- Ne helyezzen folyadékot tartalmazó edényeket a hűtőszekrény tetejére. A feszültség alatt lévő részekre freccsenő víz áramütést vagy tüzet okozhat!
- Ne tegye ki a terméket esőnek, hónak, napsütésnek vagy szélnek, mert ez kárt tehet a termék elektromos rendszerében. Amennyiben a hűtőszekrény ajtaja fogantyúval is rendelkezik, ne szállítsa a hűtőszekrényt a fogantyúnál fogva. A fogantyú leszakadhat.

Biztonsági és környezetvédelmi figyelmeztetések

- Ügyeljen arra, hogy a keze vagy egyéb testrésze ne szoruljon be a termék mozgó részei közé.
- Ne lépjen vagy hajoljon a hűtőgép ajtajára, fiókjaira és hasonló részeire. Ez a termék leesését és a részek károsodását okozza.
- Ügyeljen arra, hogy ne csípjé be a tápkábelt.



1.1.1 HC figyelmeztetés

Ha terméke rendelkezik olyan hűtőrendszerrel, mely R600a gázt tartalmaz, figyeljen oda, hogy szállítás és használat közben ne tegyen kárt a hűtőrendszerben és a vezetékekben. Ez a gáz gyúlékony. Sérülés esetén tartsa távol a terméket a lehetséges tűzforrásoktól, melynek hatására a készülék begyulladhat, továbbá folyamatosan szellőztesse a szobát, ahol a készüléket elhelyezte.



A terméke gyártásakor használt gázt a termék bal belső részén található táblán láthatja.

1.1.2 Víztartállyal ellátott termékek esetén

- A hideg víz max. bemeneti nyomása 90 psi (6.2 bar). Ha a víz nyomása meghaladja a 80 psi (5.5 bar) értéket, használjon egy nyomáscsökkentő szelepet a vízhálózaton. Ja nem tudja ellenőrizni a víz nyomását, kérje egy vízvezeték-szerelő segítségét.
- Ha fennáll a vízkalapács effektus kockázata a hálózatában, akkor mindig használjon egy vízkalapács effektust gátló berendezést. Ha nem biztos abban, hogy nincs vízkalapács effektus a hálózatában, akkor forduljon vízvezeték-szerelőhöz.
- Ne telepítse meleg víz bemenetre. Tegyen óvintézkedéseket a vezetékek elfagyásának megelőzése érdekében. A víz üzemi hőmérséklete min. 33°F (0.6°C) és max. 100°F (38°C) legyen.
- Kizárólag ivóvizet használjon.

Biztonsági és környezetvédelmi figyelmeztetések

1.2. Rendeltetészerű használat

- Ezt a terméket háztartási használatra tervezték. Nem alkalmas kereskedelmi használatra.
- A terméket csak élelmiszerek és italok tárolására használja.
- A hűtőszekrényben ne tároljon érzékeny termékeket, melyek ellenőrzött hőmérsékletet igényelnek (oltóanyagok, hőre érzékeny gyógyszerek, orvosi eszközök, stb.).
- A gyártó nem vállal felelősséget a rendellenes használatból származó károkért.
- A készülék élettartama 10 év. Ennyi ideig biztosítunk pótalkatrészeket a készülékhez.

1.3. Gyermekbiztonság

- A csomagolóanyagokat tartsa távol a gyermekektől.
- Ne hagyja a gyermekeket a termékkel játszani.

- Amennyiben az ajtó zárral is rendelkezik, a kulcsot tartsa távol a gyermekektől.

1.4. A WEEE-irányelvnek való megfelelés és a hulladék termék megsemmisítése

A termék megfelel az uniós WEEE-irányelv (2012/19/EU) követelményeinek. A terméken megtalálható az elektromos és elektronikus hulladékok besorolására vonatkozó szimbólum (WEEE).



A terméket magas minőségű alkatrészekből és anyagokból állították elő, amelyek ismételten felhasználhatók és alkalmasak az újrahasznosításra. A hulladék terméket annak élettartamának végén ne a szokásos háztartási vagy egyéb hulladékkal együtt selejtezze le. Vigye el azt egy az elektromos és elektronikus berendezések újrahasznosítására szakosodott begyűjtőhelyre. A begyűjtőhelyek kapcsán kérjük, tájékozódjon a helyi hatóságoknál.

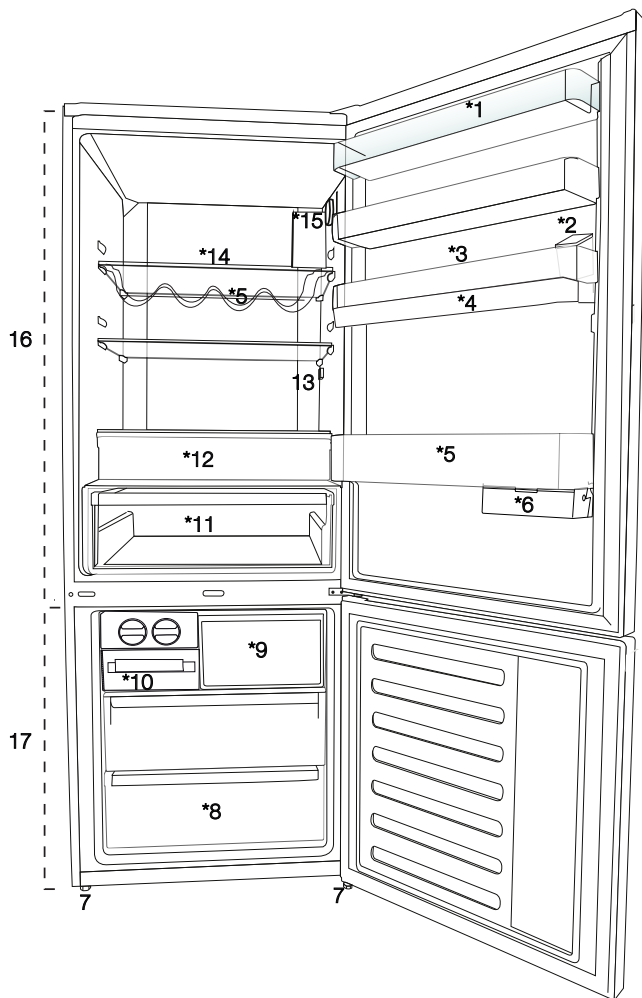
1.5. A RoHS-irányelvnek való megfelelés

A termék megfelel az uniós WEEE-irányelv (2011/65/EU) követelményeinek. A termék nem tartalmaz az irányelvben meghatározott káros vagy tiltott anyagokat.

1.6. Csomagolásra vonatkozó információ

A termék csomagolóanyagai, a nemzeti környezetvédelmi előírásokkal összhangban, újrahasznosítható anyagokból készültek. A csomagolóanyagokat ne a háztartási vagy egyéb hulladékokkal együtt dobja ki! Vigye el azokat a helyi hatóságok által e célból kijelölt csomagolóanyagbegyűjtő pontokra.

2 Hűtőszekrény



1. Hűtőszekrény ajtópolc
2. Vízadagoló töltőtartály
3. Tojástartó
4. Vízadagoló tároló
5. Üvegtartó polc
6. Csúszo tárolódoboz
7. Állítható lábak
8. Mélyhűtő rekesz
9. Gyorsfagyasztó rekesz
10. Jégkockatartó & Ice bank
11. Zöldségtartó
12. Nullfokos tárolórekesz
13. Belső világítás
14. Hűtőszekrény üvegpole
15. Hőmérsékletszabályzó gomb
16. Hűtőszekrény
17. Fagyasztószekrény



*Opcionális: A használati útmutatóban található képek szemléltető jellegűek, nem a valódi terméket ábrázolják. Amennyiben olyan részeket talál, melyek nem találhatók meg, az Ön által megvásárolt termékben, akkor azok más modellekre vonatkoznak.

3 Üzembe helyezés

3.1. A megfelelő elhelyezés

A termék üzembe helyezéséhez lépjen kapcsolatba a hivatalos szervizzel. A termék üzembe helyezésének befejezéséhez olvassa el a használati utasítást és győződjön meg róla, hogy az elektromos és a vízcsatlakozások megfelelnek a követelményeknek. Ellenkező esetben hívjon egy villanyszerelőt és egy vízszerelőt a csatlakozások biztosítása érdekében.



FIGYELEM: A gyártó nem vállal felelősséget az illetéktelen személyek által végzett munkából származó károkért.



FIGYELEM: Beszerelés közben ne dugja be a hűtőt a konnektorba. Ellenkező esetben súlyos vagy halálos sérülést szenvedhet.



FIGYELEM: Amennyiben a hűtőszekrény tárolására kijelölt szoba ajtaja nem elég széles, a hűtők ajtajainak eltávolításához hívja ki a hivatalos szervizt.

- A rázkódások elkerülése érdekében a hűtőszekrényt egy egyenletes padlón helyezze el.
- A hűtőt legalább 30 cm-re kell elhelyezni minden hőforrástól (pl. kandalló, sütő, főzőlap) és legalább 5 cm-re az elektromos sütőktől.
- Tartsa távol a hűtőszekrényt a közvetlen napsütéstől és a nedves helyektől.
- A hatékony működés érdekében a hűtőszekrényt egy jól szellőző helyen kell elhelyezni.
- Amennyiben a hűtőszekrényt egy fali bemélyedésbe helyezi be, a készülék körül minden irányból legalább 5 cm helyet kell hagyni.
- Ne tartsa a hűtőszekrényt -5°C -nál alacsonyabb hőmérsékleten.

3.2. A műanyag ékek rögzítése

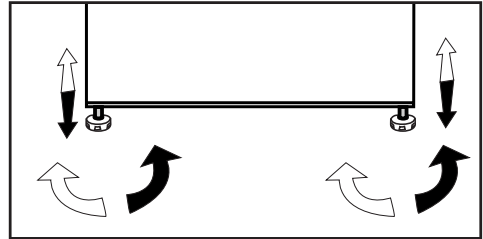
A mellékelt műanyag ékek segítenek megtartani a szükséges távolságot a hűtő és a fal között, és így a levegő szabadon tud áramolni.

1. Az ékek rögzítéséhez csavarozza ki a jelenlegieket, és használja azokat a csavarokat, amelyek az ékeket tartalmazó zacskóban vannak.

2. Rögzítse a 2 műanyag éket a ventilátor fedelére a az ábrán látható módon.

3.3. A lábak beállítása

Ha a hűtőszekrény nincs egy kiegyensúlyozott helyzetben, állítsa be az elülső állítható lábakat jobbra vagy balra forgatva.



3.4. Elektromos összeköttetés



FIGYELEM: Ne használjon hosszabbítót vagy elosztót.



FIGYELEM: A sérült tápkábel cseréjét bízza a hivatalos szervizre.



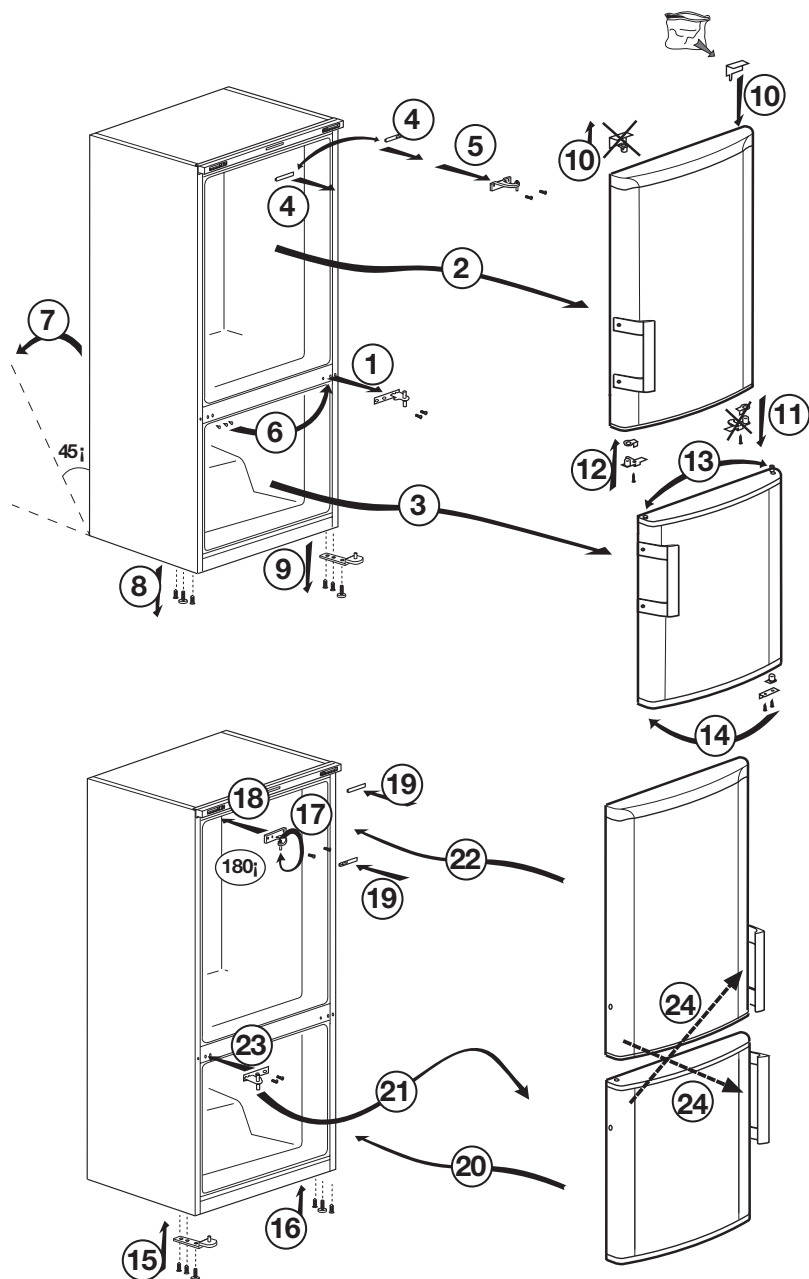
két hűtőt kíván egymás mellett elhelyezni, kérjük, hagyjon legalább 4 cm helyet közöttük.

- A vállalatunk nem vállal semmiféle felelősséget azokért a károkért, melyek a hűtőszelektény nem a nemzeti előírásoknak megfelelő földeléssel vagy elektromos összeköttetéssel való használatából erednek.
- Ügyeljen rá, hogy a tápkábel könnyen hozzáférhető legyen a hűtő elhelyezése után.
- Csatlakoztassa a hűtőszelektényt egy földelt 220-240 Voltos, 50 Hz-es áramú hálózathoz. A dugónak rendelkeznie kell egy 10-16A-os biztosítókkal.
- Ne használjon elosztót hosszabbítóval vagy hosszabbító nélkül a fali konnektor és a hűtőszelektény között.

Üzembe helyezés

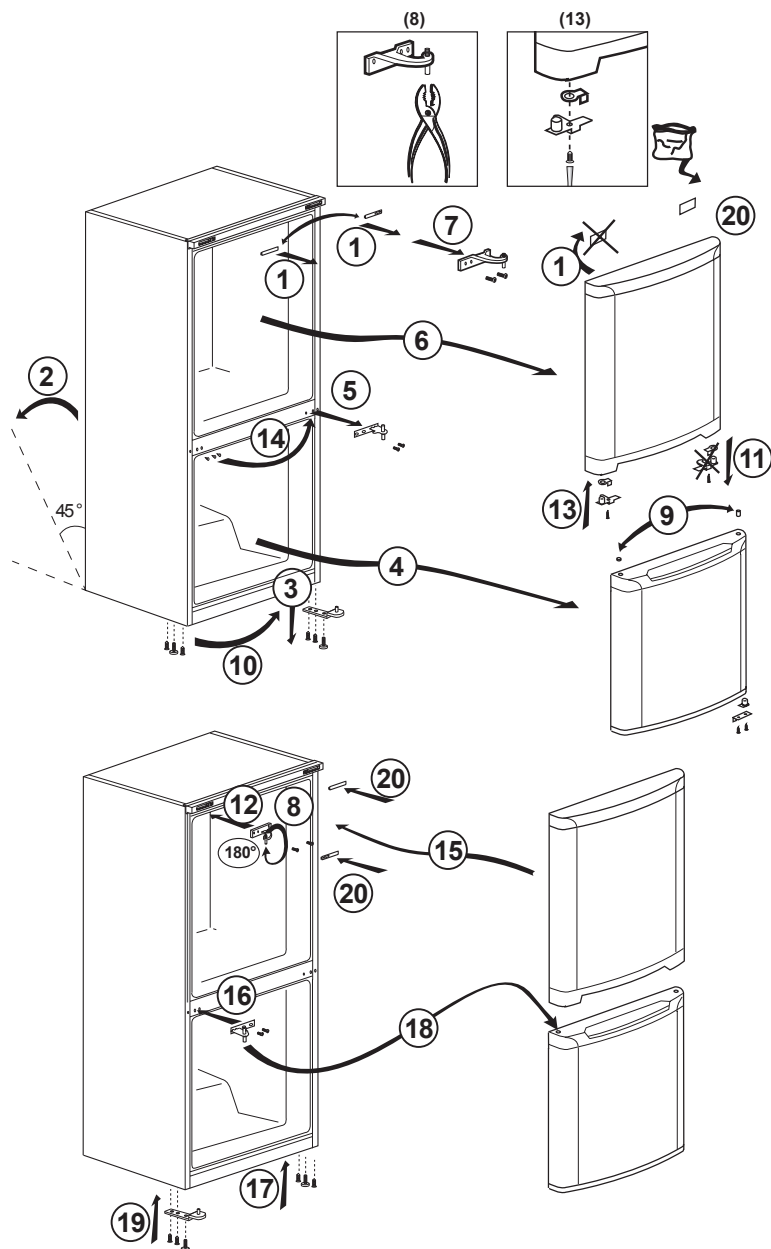
3.5. Az ajtónyitás megfordítása

A lépéseket számsorrendben végezze el.



3.6. Az ajtónyitás megfordítása

A lépéseket számsorrendben végezze el.

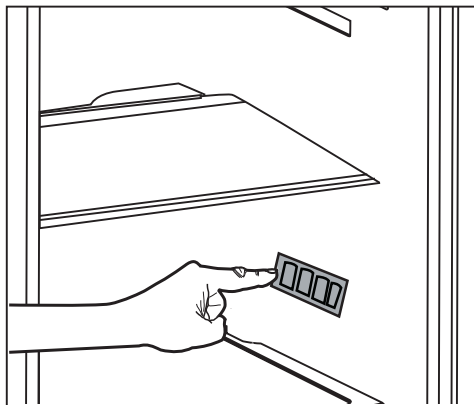


4.1. Teendők az energiatakaré- kosság érdekében



A termék csatlakoztatása elektromos energiatakarékos rendszerekhez káros és károsíthatja a terméket.

- Ne hagyja sokáig nyitva a hűtő ajtaját. Ne tegyen meleg ételt vagy italt a hűtőbe.
- Csak annyi ételt/italt tegyen a hűtőbe, hogy az ne akadályozza a belső levegő cirkulációt.
- A hűtőgép hűtőszekrény részében a maximális mennyiségű étel tárolása érdekében vegye ki a felső fiókot és helyezze az üvegtartóra. Az energiafogyasztást úgy határozták meg, hogy eltávolították a fagyasztó felső polcát, a jégkockatartót és a felső polcot, hogy a terméket maximálisan meg lehessen pakolni. Tárolás során az alsó polc használata kifejezetten ajánlott. A legoptimálisabb energiafogyasztás érdekében kapcsolja be az energiatakarékos funkciót.
- Ne akadályozza a levegőáramlást azáltal, hogy élelmiszert helyez a hűtőventilátor elé. Étél behelyezésekor hagyjon legalább 3 cm szabad helyet a védőventilátor kábele előtt.
- A termék tulajdonságaitól függően a fagyasztott élelmiszer hűtőszekrényben történő felolvasztása energiát takarít meg, és megőrzi az étel minőségét.
- Az energiatakarékoság és az ételek minőségének megőrzése érdekében az ételeket a hűtőszekrény fiókjában kell tárolni. Az ételcsomagok ne érintkezzenek a hűtőszekrényben elhelyezett hőmérsékletérzékelővel. Ha érintkeznek az érzékelővel, akkor a készülék energiafogyasztása növekedhet.
- Győződjön meg róla, hogy az ételek nincsenek érintkezésben a fagyasztó alább bemutatott hőmérsékletérzékelőjével.



4.2. Az első használat

A hűtőszekrény használata előtt győződjön meg róla, hogy elvégezte a "Biztonsági és környezetvédelmi utasítások" és az "Üzembe helyezés" bekezdés alatt felsorolt összes előkészületi műveletet.

- Működtesse a terméket étel nélkül 6 óráig és ne nyissa ki az ajtót, kivéve ha ez elengedhetetlenül fontos.



A kompresszor bekapcsolását egy hangjelzés jelzi. A hűtőrendszerben lévő folyadékok és gázok hangja akkor is hallható, ha a kompresszor nem üzemel és ez normális jelenség.



Lehetséges, hogy a hűtő elülső éleit melegnek érzi. Ez normális jelenség. Ezek a részek azért melegednek fel, hogy így elejét vegyék a páralecsapódásnak.



Néhány modell esetén a kijelző az ajtó bezárása után 5 perccel automatikusan kikapcsol. Ismét bekapcsol, ha kinyitja az ajtót vagy lenyom egy gombot.

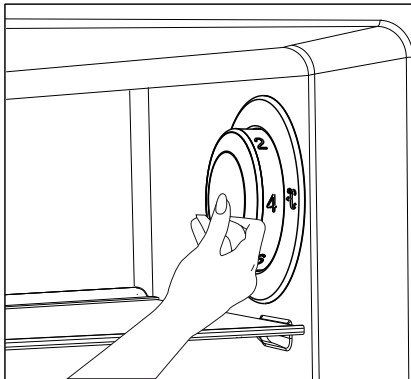
5.1. Hőmérsékletszabályzó gomb

A hűtőszekrény belső hőmérséklete a következő okok miatt változik:

- Évszaknak megfelelő hőmérsékletek,
- Az ajtó gyakori, vagy hosszabb ideig történő kinyitása,
- Forró, le nem hűtött élelmiszer behelyezése a hűtőszekrénybe,
- A hűtőszekrény elhelyezése a konyhában (pl. közvetlen napsütés éri a készüléket).
- Ezen okok miatt a termosztát használatával esetleg be kell állítania a belső hőmérsékletet.

A termosztát körüli számok a hűtési fokokat jelentik "°C"-ban.

Ha a környezeti hőmérséklet 20°C, akkor állítsa a termosztátot 4°C-ra. Eltérő esetben ezt az értéket egyénre lehet szabni.

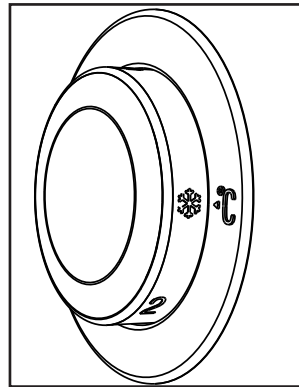


5.2. Gyorsfagyasztás

Ha nagy mennyiségű friss ételt szeretne lefagyasztani, akkor állítsa a hőmérsékletszabályzó gombot a (❄️) állásra még az étel behelyezése előtt.

A fagyasztási kapacitásnak megfelelő maximális mennyiségű étel fagyasztásához tanácsos a gombot ebben a helyzetben tartani 24 órán keresztül. Különösen figyeljen arra, hogy ne keverje össze a fagyasztott és friss ételeket.


Ne feledje visszaállítani a hőmérsékletszabályzó gombot az előző állásba.



***Opcionális:** A használati útmutatóban található képek szemléltető jellegűek, nem a valódi terméket ábrázolják. Amennyiben olyan részeket talál, melyek nem találhatók meg, az Ön által megvásárolt termékben, akkor azok más modellekre vonatkoznak.

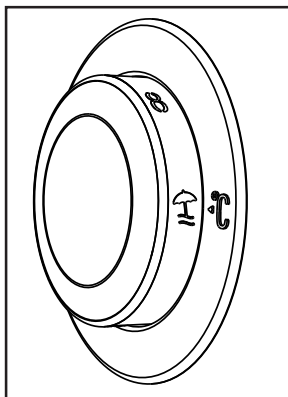
A termék használata

5.3. Vakáció funkció

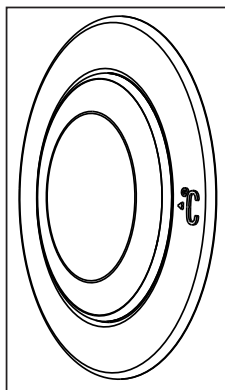
Ha a hűtőszekrény ajtaja nem  kerül kinyitásra legalább 12 órán keresztül azután, hogy a hőmérsékletszabályzó gombot a maximálisra állította, akkor a vakáció funkció automatikusan bekapcsol.

A funkció törléséhez módosítani kell a gomb beállításait.

Bekapcsolt vakáció funkció esetén nem tanácsos ételt tárolni a hűtőrekeszben.

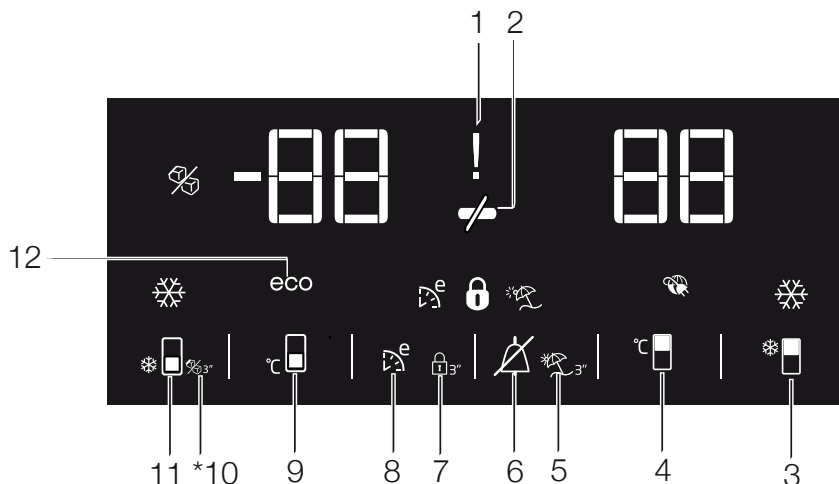


- A beállítás elvégzése után a hőmérsékletszabályzó gombot benyomva el lehet rejtetni.



5.4. Kijelző panel

Ennek a kijelző panelnek a segítségével beállíthatja a hőmérsékletet és vezérelheti a termék egyéb funkcióit anélkül, hogy ehhez ki kellene nyitnia a hűtőt. A funkciók beállításához egyszerűen csak érintse meg a kívánt gombot.



1. Áramszünet/Magas hőmérséklet/Hibára figyelmeztető kijelző

Áramszünet/Magas hőmérséklet/Hibára figyelmeztető kijelző

Ez a kijelző (⏻) áramszünet, magas hőmérséklet okozta rendellenesség és hibára való figyelmeztetés esetén kigyullad. Hosszabb ideig tartó áramkimaradás esetén a fagyasztórekesz által elért legmagasabb hőmérséklet villog a digitális kijelzőn. A fagyasztórekeszben lévő étel ellenőrzése után (🔒) nyomja meg a vészjelzés ki gombot a figyelmeztetés törléséhez.

Olvassa el a kézikönyv "Javaslatok a hibák megszüntetéséhez" c. részét, ha a kijelző világít.

2. Energiatakarékos funkció (kijelző ki van kapcsolva):

Ha a hűtőszekrény ajtajai huzamosabb ideig zárva maradnak, akkor az energiatakarékos funkció automatikusan bekapcsol és az energiatakarékos szimbólum világít. (⏻)

Amikor az energiatakarékos funkció be van kapcsolva, akkor a kijelzőn az energiatakarékos szimbólumon kívül az összes többi szimbólum kikapcsol. Ha az energiatakarékos funkció be van kapcsolva és megnyom egy gombot vagy kinyitja az ajtót, akkor az energiatakarékos funkció törlésre kerül és a kijelzőn lévő szimbólumok visszaállnak a normális állapotba. Az energiatakarékos funkció a gyárból való kiszállítás során bekapcsol és nem lehet törölni.



***Opcionális:** A használati útmutatóban található képek szemléltető jellegűek, nem a valódi terméket ábrázolják. Amennyiben olyan részeket talál, melyek nem találhatók meg, az Ön által megvásárolt termékben, akkor azok más modellekre vonatkoznak.

A termék használata

3. Gyorsfagyasztás funkció

A gomb két funkcióval rendelkezik. A gyorsfagyasztás funkció ki- és bekapcsolásához nyomja meg rövid ideig. A gyorsfagyasztás kijelző kikapcsol és a hűtőszekrény visszaállítja a normális beállításokat. (🔌)



Akkor használja a gyorsfűtés funkciót, ha a hűtőrekeszbe helyezett ételt gyorsan szeretné lefagyasztani. Ha nagy mennyiségű friss ételt kíván fagyasztani, akkor aktiválja ezt a funkciót, mielőtt beramolná az ételeket a fagyasztórekeszbe.



Ha nem törli, akkor a gyorsfűtő funkció 8 óra eltelte után automatikusan kikapcsol, vagy amikor a hűtőrekesz eléri a kívánt hőmérsékletet.



Ha a gyorsfagyasztás gombot egy más után többször és gyorsan megnyomja, bekapcsol az elektronikus áramköri védelem, és a kompresszor nem fog automatikusan elindulni.



Ez a funkció nem kerül visszaállításra áramkimaradás esetén.

4. Hűtőrekesz hőmérséklet beállító gomb

Nyomja meg ezt a gombot a hűtőrekesz hőmérsékletének 8, 7,6, 5,4,3, 2, 8...-ra való állításához. Nyomja meg ezt a gombot a hűtőrekesz hőmérsékletének a kívánt értékre való állításához. (🔌)

5. Vacation Function

Ha a Szabadó funkciót aktiválni szeretné, nyomja meg a (🔌) gombot 3 másodpercig, amivel aktiválja a Szünidő funkció kijelzőt. Ha a szünidő funkció (🔌) aktiválva van, a hűtőrekesz hőmérséklet kijelzőn megjelenik a "- -" jelzés és a hűtőszekrényben nem történik aktív hűtés. Nem alkalmas étel tárolására a hűtőtérben, ha ez a funkció be van kapcsolva. A többi rekesz a beállított hőmérsékletnek megfelelően továbbra is hűtésre kerül. A funkció törléséhez nyomja meg még egyszer a Vakáció funkció gombot.

6. Vészjelzés ki figyelmeztetés:

Áramszünet/Magas hőmérséklet vészjelzés esetén, miután ellenőrizte az ételt a mélyhűtő rekeszben, a figyelmeztetés törléséhez nyomja meg a vészjelzés ki gombot (🔌).

7. Billentyűzár

Nyomja le a Billentyűzár gombot (🔌) egyidejűleg 3 másodpercig. Billentyűzár szimbólum (🔌) világít és a billentyűzár mód be van kapcsolva. Ha a Billentyűzár mód be van kapcsolva, akkor a gombok nem működnek. Nyomja le a Billentyűzár gombot egyidejűleg 3 másodpercig. A Billentyűzár szimbólum kikapcsol és kilép a billentyűzár módból.

Nyomja meg a billentyűzár gombot, ha meg akarja akadályozni a hűtőszekrény hőmérséklet beállításának módosítását (🔌).

8. Eco fuzzy

Az Eco fuzzy funkció bekapcsolásához nyomja meg és tartsa lenyomva 1 másodpercig az Eco fuzzy gombot. A fagyasztó a lehető legtakarékosabb üzemmódban fog elindulni legalább 6 órával később, és az gazdaságos használat visszajelzője bekapcsol, amíg a funkció aktív (🔌). Az Eco fuzzy funkció kikapcsolásához nyomja meg és tartsa lenyomva 3 másodpercig az Eco fuzzy gombot. Ez a kijelző 6 óra eltelte után világít, amikor az Eco fuzzy funkció be van kapcsolva.

9. Mélyhűtő rekesz hőmérséklet beállító gomb

Nyomja meg ezt a gombot a mélyhűtő rekesz hőmérsékletének -18,-19,-20,-21, -22, -23,-24, -18...-ra való állításához. Nyomja meg ezt a gombot a mélyhűtő rekesz hőmérsékletének a kívánt értékre való állításához. (🔌)

10. Icematic off kijelző


Azt jelzi, hogy az icematic be vagy ki van kapcsolva. (🔌) Ha világít, akkor az icematic nem működik. Az icematic bekapcsolásához nyomja meg és tartsa lenyomva a BE-KI gombot 3 másodpercig.

A termék használata



A víztartályból nem folyik víz, ha ez a funkció ki van választva. Ugyanakkor a korábban készített jeget ki lehet venni az icematic-ból.

11. Gyorsfagyasztás funkciógomb/Icematic be/ki gomb

Nyomja meg ezt a gombot a gyorsfagyasztás funkció be- vagy kikapcsolásához. Ha aktiválja a funkciót, akkor a mélyhűtő rekesz a beállítottnál alacsonyabb hőmérsékletre hűl le. 

Az Icematic be- és kikapcsolásához nyomja meg és tartsa lenyomva 3 másodpercig.



Használja a gyorsfagyasztás funkciót, ha a mélyhűtő rekeszbe helyezett ételt gyorsan szeretné lefagyasztani. Ha nagy mennyiségű friss ételt kíván fagyasztani, akkor aktiválja ezt a funkciót, mielőtt berámolná az ételeket a mélyhűtő rekeszbe.



Ha nem törli, akkor a Gyorsfagyasztó funkció 8 óra eltelte után automatikusan kikapcsol, vagy amikor a mélyhűtő rekesz eléri a kívánt hőmérsékletet.



Ez a funkció nem kerül visszaállításra áramkimaradás esetén.

12. Gazdaságos használat kijelző

Azt jelzi, hogy a hűtő energiatakarékos üzemmódban van. **(eco)** Ez a jelző akkor látható, ha a mélyhűtő rekesz hőmérséklete -18 fokra van állítva vagy az Eco-Extra funkció miatt energiahatékony hűtés van működésben.



A gazdaságos üzemmód kijelző ki van kapcsolva, ha a gyorsfagyasztás funkció ki van választva.

A termék használata

5.5. Jégvödör

*választható

- Vegye ki a jégvödört a mélyhűtő rekeszből.
- Töltse meg a jégvödört vízzel.
- Helyezze be a jégvödört a mélyhűtő rekeszbe.
- A jég kb. 2 óra alatt lesz kész. Vegye ki a jégvödört a mélyhűtő rekeszből és kissé döntse a tálaló fölé. A jég könnyen a tálalóba hullik.

5.6. Tojástartó

A tojástartó bármelyik ajtóra vagy polcra helyezhető. Ha a polcra helyezi, akkor az alsóbb polcokat válassza, mert ezek hidegebbek.

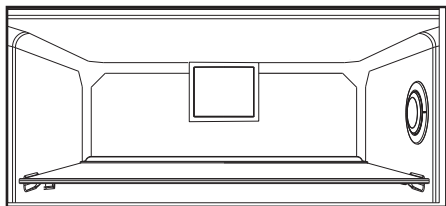


Ne tegye a tojástartót a mélyhűtő rekeszbe.

5.7. Ventilátor

A ventilátor a hűtőszekrényben a hideg levegőt keringeti egyenletesen. A ventilátor üzemi ideje a termék tulajdonságaitól függően változhat.

Néhány termék esetén a ventilátor csak kompresszorral működik, mások esetében a vezérlőrendszer állapítja meg az üzemi időt a hűtés szükségességétől függően.



5.8. Zöldségtartó

*választható

A termék zöldségtartója frissen tartja a zöldségeket a nedvesség megőrzésével. Ezért a hideg levegő keringtetése a zöldségtartóban fokozott.

5.9. Nullfokos tárolórekesz

*választható

Használja ezt a rekeszt az élelmiszerek vagy húsok alacsony hőmérsékleten való tárolására, melyek azonnali fogyasztásra kerülnek.

A nullfokos rekesz a leghidegebb olyan rekesz, melyben tejtermékek, hús, hal és csirke tárolható ideális feltételek mellett. Zöldséget/gyümölcsöt ne rakjon ebbe a rekeszbe!

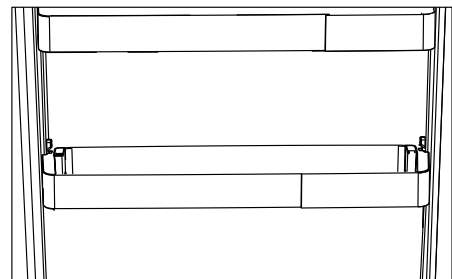
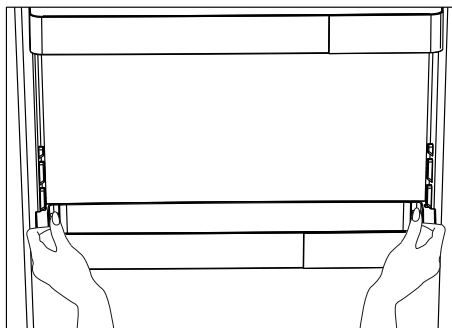
5.10. Mozgó ajtórekesz

*választható

A mozgó ajtórekesz 3 különböző pozícióban rögzíthető.

A rekesz mozgatása érdekében nyomja meg az oldalsó gombokat. A rekeszt ekkor el lehet távolítani. Tegye feljebb vagy lejjebb a rekeszt.

Amikor a rekesz eléri a kívány magasságot, akkor engedje fel a gombokat. A rekesz ismét rögzül abban a helyzetben, melyben felengedte a gombokat.

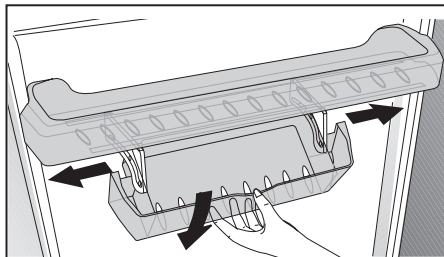


5.11. Csúsztató tárolódoboz

*választható

Ez a kiegészítő növeli az ajtórekesz használati térfogatát.

Mivel oldalra is mozog, ezért könnyen tárolhat benne hosszú üvegeket vagy dobozokat, melyeket az alsó üvegtartóra helyez.



5.12. Ellenőrzött páratartalmú zöldségtartó

*választható

A páratartalom ellenőrzés funkcióval a zöldségek és gyümölcsök nedvességtartalma ellenőrizhető és így az ételek sokáig frissek maradnak.

A nedvességtartalom veszteségek kitétt zöldlevelű zöldségeket, pl. salátát, spenótot, stb. ne függőlegesen, hanem vízszintesen tároljon a zöldségtartóban.

A zöldségek beráolásakor a nehéz és kemény zöldségeket alulra, a könnyű és puha zöldségeket pedig felülre helyezze a zöldséget adott súlyát figyelembe véve.

A zöldségtartóban ne tárolja a zöldségeket műanyag zacskóban. Ha műanyag zacskókban hagyja a zöldségeket, akkor hamar elrohadnak. Amennyiben kerülni kell a zöldségek egymással való érintkezését, akkor használjon papírt, mely higiéniai szempontból megfelelő porozitással rendelkezik.

A többi zöldséggel és gyümölccsel együtt ne helyezzen a zöldségtartóba olyan gyümölcsöt, mely sok etilengázt termel, pl. körte, sárgabarack, őszibarack és alma. A gyümölcsök által kibocsátott etilengáz felgyorsítja a többi zöldség és gyümölcs érési folyamatát és ezért hamarabb elrohadnak.

5.13. Automatikus jégkockakészítő

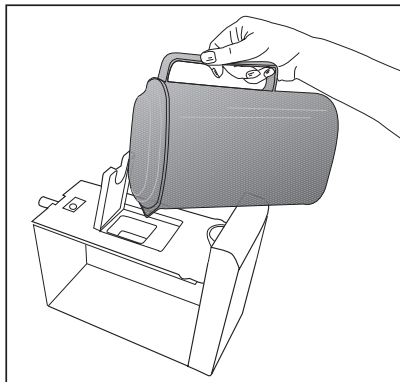
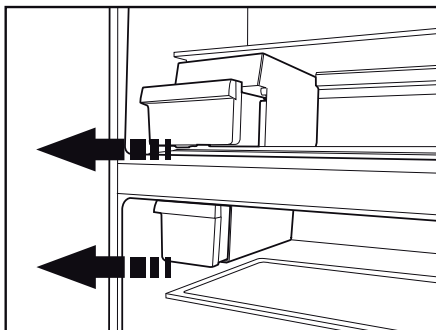
*választható

Az automatikus jégkockakészítő segítségével könnyen készíthet jeget a hűtőszekrényben. Annak érdekében, hogy a jégkészítő jeget készítsen, vegye ki a víztartályt a hűtőrekeszből, töltsse fel vízzel és helyezze vissza.

Az első jég kb. 2 óra eltelté után lesz kész. A teli víztartály behelyezése után kb. 60-70 jégkocka készíthető. Ha a tartályban lévő víz 2-3 hétnél régebbi, akkor cserélje ki.



Automatikus jégkockakészítővel rendelkező hűtőszekrény esetén a jég kiöntésekor zajt hallhat. Ez normális jelenség.



A termék használata

5.14. Icematic és jégdoboz

*választható

Az Icematic használata

Töltse fel az Icematic-ot vízzel és tegye vissza a helyére. A jég kb. 2 óra alatt lesz kész. A jég kivételéhez ne vegye ki az Icematic-ot a helyéről.

Fordítsa el a jégtartályon lévő gombokat 90 fokkal az óramutató járásával megegyező irányba.

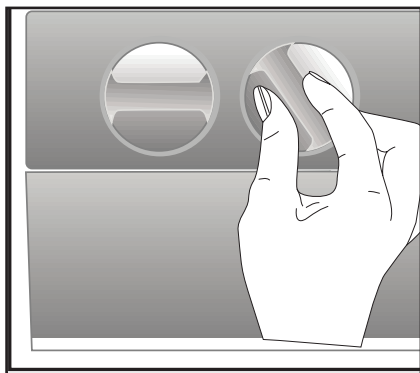
A tartályban lévő jégkockák beleesnek az alatta lévő jégkockatároló rekeszbe. Kiveheti a jégkockatároló rekeszt és felszolgálhatja a jégkockákat.

A jégkockákat a jégkockatároló rekeszben is hagyhatja.

Jégkockatároló rekesz

A jégkockatároló rekesz csak jégkockák tárolására alkalmas. Ne öntsön bele vizet.

Eltérő esetben eltörik.



5.15. A vízadagoló használata

* választható



Az teljesen szokványos, hogy a vízadagolóból kifolyó néhány első pohár víz általában meleg.



Ha a vízadagolót hosszabb ideig nem használták, hogy tiszta vizet kapjon, a néhány első pohárnyi vizet öntse ki.

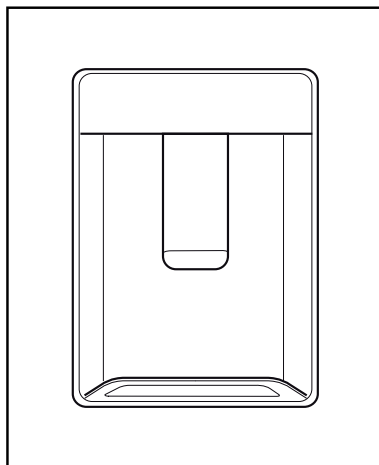
1. Nyomja a poharát a vízadagoló adagoló karjához.

Ha puha műanyag poharat használ, egyszerűbb lesz, ha az adagoló kart a kezével nyomja meg.

2. Ha a pohár megemelik a kívánt szintig, engedje el az adagoló kart.



Figyeljen arra, hogy az adagolóból annyi víz folyik ki, amilyen mélyre benyomja az adagoló kart. Ha a víz szintje a csészéjében / poharában megemelkedik, óvatosan csökkentse a nyomást az adagoló karra, hogy megakadályozza a túlfolyást. Ha az adagoló kart óvatosan megnyomja, a víz csepegni fog, ez teljesen normális, nem hiba.



A termék használata

5.16.A víztartály feltöltése

A víztartály az ajtó belsejében található.

1. Nyissa ki a tartály tetejét.
2. Töltsé fel a tartályt friss ivóvízzel.
3. Zárja vissza a fedelet.



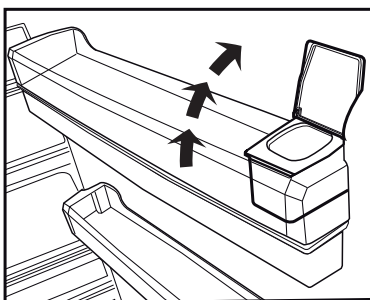
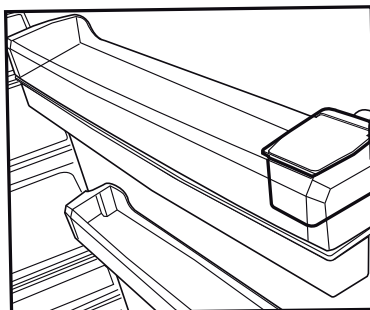
A tartályba vizen kívül ne töltsön egyéb folyadékot, pl. gyümölcslé, szénsavas italokat vagy szeszes italokat, mert ezek nem alkalmasak erre. A vízadagoló helyrehozhatatlanul károsul, ha ilyen folyadékokat használ. A garancia erre nem érvényes. Az ezekben az italokban/ folyadékokban lévő vegyi anyagok és adalékok károsíthatják a víztartályt.



Csak tiszta ivóvizet használjon.



A víztartály kapacitása 3 liter, ne töltsé túl.



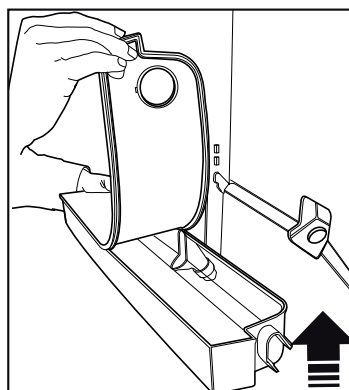
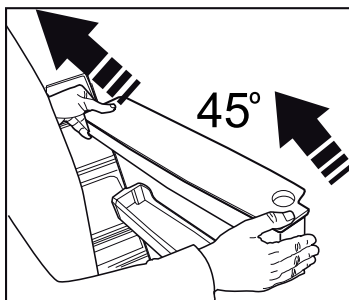
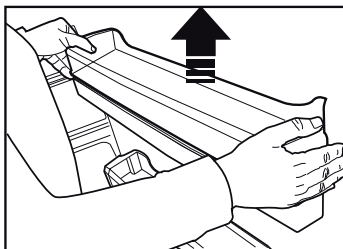
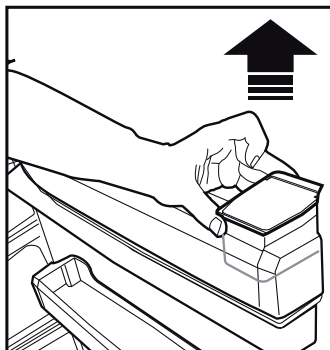
A termék használata

5.17. A víztartály tisztítása

1. Vegye ki az ajtórekeszben lévő víztartályt.
2. Vegye le az ajtórekeszt mindkét oldalánál fogva.
3. Markolja meg a víztartályt mindkét oldalon és 45°C-os szögben vegye ki.
4. Vegye le a víztartály fedelét és tisztítsa meg a tartályt.



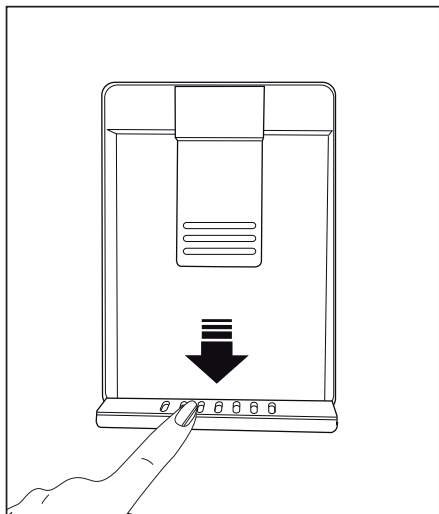
A víztartály alkatrészeit és a vízadagolót ne mossa mosogatógépben.



5.18. Csepegtetőtálca

A vízadagoló használata során kicsepegő víz a cseppgyűjtő tálcába kerül. Vegye le a műanyag szűrőt az ábrán látható módon.

Egy tiszta és száraz ruhával távolítsa el a felhalmozódott vizet.



A termék használata

5.19. Friss étel lefagyasztása

- A élelmiszert a lehető leggyorsabban kell lefagyasztani miután a hűtőbe helyezte, hogy megtartsa jó minőségét. Ezért használja a gyorsfagyasztót.
- A friss ételek fagyasztása növeli a tárolási időt a fagyasztórekeszben.
- Az élelmiszert légmentesen záró csomagolásba kell helyezni.
- Győződjön meg róla, hogy az élelmiszer be van csomagolva, mielőtt a fagyasztórekeszbe helyezné azt. A hagyományos csomagolóanyagok helyett használjon fagyasztásra alkalmas csomagolóanyagokban, műanyag tasakokban vagy hasonló csomagolóanyagokban tárolja.
- Fagyasztás előtt jelölje meg minden csomagon a dátumot. Ez lehetővé teszi minden csomag frissességének a megállapítását, amikor kinyitja a fagyasztórekeszt. Először a régebbi ételeket használja fel.
- A lefagyasztott élelmiszert felengedésük után azonnal használja fel, és soha ne fagyassza újra.
- Ne fagyasszon le egyszerre túl nagy mennyiségű élelmiszert.

5.20. Típek a fagyasztott ételek tárolásához

A rekeszt legalább -18°C -ra kell állítani.

1. Az ételt a lehető leggyorsabban helyezze a fagyasztóba, hogy ne engedjen fel.
2. Fagyasztás előtt ellenőrizze a lejárat dátumot, hogy biztos legyen benne, hogy a termék nem járt le.
3. Győződjön meg róla, hogy a csomagolás nem sérült.

5.21. Tudnivalók a mélyfagyasztásról

Az IEC 62552 szabvány megköveteli (bizonyos mérési körülmények szerint), hogy ahűtő legalább 4,5 kg élelmiszert 32°C -os környezeti hőmérsékleten -18°C -ra vagy kevesebbre hűti 24 órán belül a hűtő teljes, 100 literes térfogatával. Élelmiszert csak -18°C -on vagy alacsonyabb hőmérsékleten lehet hosszú ideig eltárolni. Az élelmiszer frissességét több hónapig megtarthatja (-18°C -on vagy alacsonyabb hőmérsékleten mélyfagyasztásban).

A fagyasztandó élelmiszer ne kerüljön kapcsolatba korábban lefagyasztott dolgokkal, hogy megakadályozza azok részleges kiolvadását.

Fagyasztó-rekesz beállítása	Hűtőrekesz beállítása	Leírás
-18°C	4°C	Ez az alapértelmezett, javasolt beállítás.
$-20, -22$ vagy -24°C	4°C	Ez a javasolt beállítás 30°C -ot meghaladó környezeti hőmérséklet esetén.
Gyorsfagyasztás	4°C	Használja ezt az ételek gyors lefagyasztásához. A hűtőszekrény visszaáll az előző beállításra, amikor a folyamat befejeződött.
-18°C vagy alacsonyabb	2°C	Használja ezt a beállítást, ha úgy gondolja, hogy a hűtőrekesz nem elég hideg a környezeti hőmérséklet vagy az ajtó gyakori kinyitása miatt. Hűtőszekrény / Használati utasítás

A termék használata

A zöldségeket forralja fel és szűrje le a vizet a fagyasztási idő meghosszabbítása érdekében. Az élelmiszert a szűrés után légmentesen záró csomagolásba kell helyezni és a fagyasztóba tenni. Banánt, paradicsomot, salátát, zellert, főtt tojást, burgonyát és hasonló élelmiszereket ne fagyasszon le. Ezen ételek lefagyasztása csökkenti a tápértéket és a minőséget és káros lehet az egészségre.

5.22. Az élelmiszer elhelyezése

Fagyasztó-rekesz polcai	Különböző fagyott élelmiszer, például hús, hal, jégkrém, zöldségek, stb.
Hűtőrekesz polcai	Serpenyőben, lefedett tányéron és zárt tartókban lévő élelmiszer, tojás (lefedett serpenyőben)
Hűtőrekesz ajtópolcai	Kis és csomagolt élelmiszer és italok
Zöldségtartó	Zöldségek és gyümölcsök
Friss étel tartórekesz	Delikát termékek (reggelihez való termékek, húsok, melyek hamar felhasználásra kerülnek)

5.23. Nyitott ajtó riasztás

(opcionális)

Ha a hűtőszekrény ajtaja legalább 1 percig nyitva marad, egy hangjelzés hallható. A riasztás elnémitásához egyszerűen csak nyomjon meg egy gombot a kijelzőn (ha van), vagy csukja be az ajtót.

5.24. Belső világítás

A belső világítás egy LED lámpát alkalmaz. Ha bármilyen probléma áll fenn a lámpával, lépjen kapcsolatba a hivatalos szolgáltatóval.

A készülékben lévő lámpa/lámpák háztartásban lévő helyiségek megvilágítására nem alkalmas/alkalmasak. A lámpa rendeltetése, hogy segítse a felhasználót az élelmiszerek hűtőszekrénybe/fagyasztószekrénybe való gyors és biztonságos behelyezésében.

5.25. Az ajtó nyitási irányának módosítása

A hűtőszekrény ajtajának nyitási iránya a rendelkezésre álló hely függvényében módosítható. Amennyiben szükséges, kérjük, forduljon a legközelebbi hivatalos szervizhez.

A termék rendszeres tisztítása növeli az élettartamát.



VIGYÁZAT: Tisztítás előtt húzza ki a hűtőszekrényt.

- Soha ne használjon éles, csiszoló anyagot, szappant, háztartási tisztítót, tisztítószert, gázt, benzint vagy viaszpolítúrt a tisztításhoz.
- Oldjon fel egy teáskanál szódadibikarbónát vízben. Mártson bele egy ruhát és csavarja ki. Törölje át a hűtőszekrényt a ruhával, majd törölje szárazra.
- Ügyeljen rá, hogy ne kerüljön víz a lámpabúra alá ill. ne kerüljön kapcsolatba más elektromos résszel.
- A hűtőajtót tisztítsa meg egy nedves ruhával. Távolítsa el minden élelmiszert az ajtópolcok és polcok kivételéhez. A kivételhez emelje fel az ajtópolcokat. Tisztítsa meg és szárítsa meg a polcokat, majd csúsztassa őket a helyükre.
- A termék külső felületeinek és a krómbevonatos részek tisztításához soha ne használjon tisztítószereket vagy klórt tartalmazó vizet. A klór korróziót okoz az ilyen fémfelületeken.
- Ne használjon éles vagy csiszoló hatású eszközöket, szappant, háztartási tisztítószereket, mosószereket, benzint, viaszt stb., mert a műanyag részokről lekopnak a nyomtatott minták és deformációt okoznak. Tisztítsa meg meleg vízzel és egy puha ruhával, majd törölje szárazra.

6.1. A kellemetlen szagok elkerülése

A termék nem tartalmaz kellemetlen szagú anyagot. Ugyanakkor, ha az ételeket nem tárolja a megfelelő rekeszben vagy a belső felületek tisztítása nem megfelelő, akkor ez kellemetlen szagokat okozhat.

Ennek elkerülése érdekében kéthetente tisztítsa meg a belső felületeket szódadibikarbónátos vízzel.

- Az ételeket jól lezárt edényekben tárolja. A nem jól lezárt ételekből származó mikroorganizmusok kellemetlen szagokat okozhatnak.
- A hűtőszekrényben ne tároljon lejárt vagy romlott éteket.

6.2. A műanyag felületek védelme

Amennyiben olaj kerül a műanyag felületekre, öblítse le és tisztítsa meg az adott részt langyos vízzel.

7 A problémák javasolt megoldása

Kérjük, mielőtt kihívna a szervizt, oldassa át a következő listát. Ezzel időt és pénzt takaríthat meg. Ez a lista azon gyakran előforduló panaszokat tartalmazza, melyek nem a hibás gyártásból vagy anyagokból erednek. Az itt ismertetett tulajdonságok közül nem mindegyik található meg az Ön készülékén.

A hűtőszekrény nem működik

- A hűtőszekrény megfelelően be van dugva? >>> *Dugja be a dugót a fali aljzatba.*
- Nem olvadt le a főbiztosíték vagy annak a konnektornak a biztosítóka, melyhez a hűtőszekrényt csatlakoztatta? >>> *Ellenőrizze a biztosítékot.*

Lecsapódás található a fagyasztó oldalfalán (MULTI ZONE, COOL, CONTROL és FLEXI ZONE).

- Nagyon hideg környezeti körülmények. >>> *A hűtőszekrényt ne telepítse -5°C alatti helyre.*
- z ajtó gyakori kinyitása és becsukása >>> *Ne nyissa ki az ajtót túl gyakran.*
- Magas páratartalmú környezet. >>> *A hűtőszekrényt ne telepítse magas páratartalmú helyre.*
- Olyan nyitott edényben lévő élelmiszer tárolása, mely folyadékot tartalmaz. >>> *A nyitott edényben tárolt élelmiszert fedje le egy megfelelő anyaggal.*
- Nyitva hagyta az ajtót. >>> *Csökkentse az időt, amíg az ajtó nyitva van.*
- A termosztát túl alacsony hőmérsékletre van állítva. >>> *Állítsa a termosztátot a megfelelő hőmérsékletre.*

A kompresszor nem működik.

- A kompresszor biztosítóka hirtelen áramkimaradások esetén kiolvadt, illetve a folyamatos árammegszakítások után a hűtőszekrény hűtő rendszere még nem került egyensúlyba. A hűtőszekrény kb. 6 perc után fog bekapcsolni. Kérjük, hívja ki a szervizt, ha a 6 perc után nem indul be a hűtőszekrény.
- A hűtőszekrény olvasztási ciklusban van. >>> *Ez egy teljesen automatikusan olvasztó hűtőszekrény esetében természetes. Az olvasztási ciklus megadott időközönként megy végbe.*
- A hűtőszekrény nincs bedugva. >>> *Győződjön meg róla, hogy a dugó megfelelően van-e csatlakoztatva a fali aljzathoz.*
- megfelelőek a hőmérséklet beállítások? >>> *Válassza ki a megfelelő hőmérsékletbeállítást.*
- Áramszünet van. >>> *Az áramszünet után a termék megfelelően fog működni.*

A működés zaj a hűtő működése közben egyre hangosabb.

- A hűtőszekrény működési teljesítménye a környezeti hőmérséklet változásának függvényében változik. Ez teljesen normális, nem utal hibára.

A hűtőszekrény gyakran vagy hosszú ideig működik.

A problémák javasolt megoldása

- Az új hűtőszekrénye lehet, hogy nagyobb, mint az előző. A nagyobb hűtőszekrények hosszabb ideig működnek.
- Lehet, hogy túl magas a szobahőmérséklet. >>> *Magasabb szobahőmérséklet esetén a hűtőszekrény tovább működik.*
- Előfordulhat, hogy a hűtőszekrény nem régen lett bedugva, vagy tele lett pakolva élelmiszerrel. >>> *A hűtőszekrény lehűtése ezekben az esetekben néhány órával tovább tarthat. Ez teljesen normális.*
- Nemrégiben nagy mennyiségű forró ételt helyezett a hűtőszekrénybe. >>> *Ne helyezzen forró ételt a hűtőszekrénybe.*
- Lehet, hogy az ajtók gyakran vagy hosszú ideig voltak kinyitva. >>> *Meleg levegő jutott a hűtőszekrénybe, melynek hatására a hűtőszekrény hosszabb ideig üzemel. Kevesebb alkalommal nyissa ki az ajtókat.*
- A fagyasztó vagy a hűtő rész ajtaja lehet, hogy nyitva maradt. >>> *Ellenőrizze, hogy az ajtók megfelelően be vannak-e csukva.*
- A hűtőszekrény nagyon alacsony hőmérsékletre lett állítva. >>> *Állítsa a hűtőszekrény hőmérsékletét magasabbra, és várja meg, míg eléri ezt a hőmérsékletet.*
- A hűtő ajtajának szigetelése elképzelhető, hogy koszos, kopott, törött vagy nem megfelelően van behelyezve. >>> *Tisztítsa meg, vagy cserélje ki a szigetelést. A sérült/törött szigetelés hatására a tovább ideig működik annak érdekében, hogy fenn tudja tartani az aktuális hőmérsékletet.*

A fagyasztó hőmérséklete túl alacsony, miközben a hűtő hőmérséklete megfelelő.

- A fagyasztó nagyon alacsony hőmérsékletre lett állítva. >>> *Állítsa a fagyasztó hőmérsékletét magasabbra, és ellenőrizze.*

A hűtő hőmérséklete túl alacsony, miközben a fagyasztó hőmérséklete megfelelő.

- A hűtő nagyon alacsony hőmérsékletre lett állítva. >>> *Állítsa a hűtő hőmérsékletét magasabbra, és ellenőrizze.*

A hűtő fiókjában tartott élelmiszerek magfagynak.

- A hűtő nagyon alacsony hőmérsékletre lett állítva. >>> *Állítsa a fagyasztó hőmérsékletét magasabbra, és ellenőrizze.*

A hűtő vagy a fagyasztó hőmérséklete nagyon magas.

- A hűtő nagyon magas hőmérsékletre lett állítva. >>> *A hűtő hőmérséklete hatással van a fagyasztó hőmérsékletére. Módosítsa úgy a hűtő és a fagyasztó hőmérsékletét, hogy ezek elérjék a kívánt szintet.*
- Lehet, hogy az ajtók gyakran vagy hosszú ideig voltak kinyitva. >>> *Kevesebb alkalommal nyissa ki az ajtókat.*
- Lehet, hogy az ajtó nyitva maradt. >>> *Csukja be rendesen az ajtót.*
- Előfordulhat, hogy a hűtőszekrény nem régen lett bedugva, vagy tele lett pakolva élelmiszerrel. >>> *Ez teljesen normális. A hűtőszekrény lehűtése ezekben az esetekben néhány órával tovább tarthat.*
- Nemrégiben nagy mennyiségű forró ételt helyezett a hűtőszekrénybe. >>> *Ne helyezzen forró ételt a hűtőszekrénybe.*

Rezgés vagy zaj.

A problémák javasolt megoldása

- A padló nem egyenes vagy gyenge. >>> *A hűtő a lassú mozgás miatt ad ki hangot. Győződjön meg róla, hogy a padló egyenes-e, illetve elég erős-e ahhoz, hogy elbírja a hűtőszekrényt.*
- A zajt a hűtőszekrény tetejére helyezett tárgyak is okozhatják. >>> *Az ilyen tárgyakat el kell távolítani a hűtőszekrény tetejétől.*

Csöpögéshez vagy fűváshoz hasonló hangot hallani.

- A hűtőszekrény működésének megfelelő folyadék vagy gázáramlás történik. >>> *Ez teljesen normális, nem utal hibára.*

Széfűváshoz hasonló hangot hallani.

- A hűtés hatékonyságának érdekében a hűtőszekrény ventilátorokat is működtet. Ez teljesen normális, nem utal hibára.

Kondenzáció a hűtőszekrény belső falain.

- A meleg vagy párás levegő növeli a jégképződést és a kondenzációt. Ez teljesen normális, nem utal hibára.
- Lehet, hogy az ajtók gyakran vagy hosszú ideig voltak kinyitva. >>> *Kevesebb alkalommal nyissa ki az ajtókat. Ha nyitva van, zárja be az ajtót.*
- Lehet, hogy az ajtó nyitva maradt. >>> *Csukja be rendesen az ajtót.*

Pára jelenik meg a hűtőszekrény külső részén vagy az ajtók közt.

- Lehet, hogy párás az idő. A párás idő teljesen normális. >>> *Ha a páratartalom kevesebb lesz, a kondenzáció eltűnik.*

Kellemetlen szag érezhető a hűtőben.

- A hűtőszekrény belső tisztításra szorul. >>> *Egy szivacs, meleg víz vagy szóda segítségével tisztítsa meg a hűtőszekrény belső részét.*
- A szagot lehet, hogy néhány edény vagy csomagolóanyag okozza. >>> *Használjon másik edényt, vagy más gyártótól származó csomagolóanyagot.*
- Az ételek nyitott edényben vannak. >>> *Az ételeket jól lezárt edényekben tárolja. A nem jól lezárt ételekből származó mikroorganizmusok kellemetlen szagokat okozhatnak.*
- Vegye ki a lejárt vagy romlott ételeket a hűtőszekrényből.

Az ajtó nem zárul be.

- Az élelmiszerek csomagolásai megakadályozhatják az ajtó becsukását. >>> *Távolítsa el azokat a csomagokat, melyek akadályozzák az ajtót.*
- A hűtőszekrény valószínűleg nem teljesen áll függőlegesen a padlón. >>> *Állítsa be a szintbeállító csavarokat.*
- A padló nem egyenes vagy gyenge. >>> *Győződjön meg róla, hogy a padló egyenes-e, illetve elég erős-e ahhoz, hogy elbírja a hűtőszekrényt.*

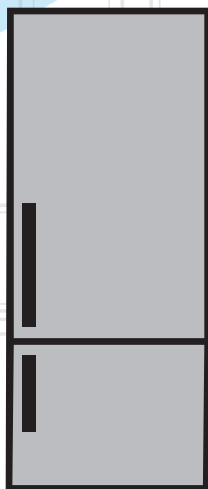
A zöldségtartó beragadt.

- Az élelmiszer lehet, hogy hozzáér a fiók tetejéhez. >>> *Rendezze át az élelmiszereket a fiókban.*



VIGYÁZAT: Ha a hiba ezen utasítások elvégzése után továbbra is jelentkezik, forduljon a helyi forgalmazóhoz vagy szervizközpontozhoz. Ne próbálja megjavítani a terméket.

Šaldytuvas Vartotojo vadovas



LT |

beko

Prieš naudodamiesi produktu perskaitykite šią instrukciją!

Gerb. kliente,





norime, kad optimaliai išnaudotumėte mūsų produkto, kuris buvo pagamintas pagal modernias technologijas ir laikantis griežtos kokybės kontrolės, galimybes,

todėl rekomenduojame prieš naudojantis produktu perskaityti visą instrukciją. Jei produktą perduotumėte kitam asmeniui, nepamirškite kartu su juo naujajam savininkui perduoti ir šios instrukcijos.

Ji padės jums greitai ir saugiai išmokti naudotis savo produktu.

- Atidžiai ją perskaitykite prieš įrengdami ir naudodamiesi šiuo produktu.
- Visada laikykitės atitinkamų saugos instrukcijų.
- Laikykite šį vadovą lengvai pasiekiamoje vietoje.
- Perskaitykite kitus su produktu pateikiamus dokumentus.

Atkreipkite dėmesį, kad ši instrukcija skirta keliems produkto modeliams. Skirtumai tarp modelių instrukcijoje aiškiai nurodyti.

	Svarbi informacija ir naudingi patarimai.
	Pavojus gyvybei ir turtui.
	Elektros smūgio pavojus.
	Produkto pakuotės yra pagamintos iš perdirbimų medžiagų pagal nacionalines aplinkosaugos taisykles.

1 Saugumas ir aplinkosaugos instrukcijos	3	5 Prietaiso naudojimas	13
1.1. Bendroji sauga	3	5.1. Temperatūros reguliavimo mygtukas	13
1.1.1 HC įspėjimas	4	5.2. Greitas šaldymas	13
1.1.2 Modeliams su vandens fontanu	5	5.3. Atostogų funkcija	14
1.2. Numatytoji paskirtis	5	5.4. Valdymo skydelis	15
1.3. Vaikų saugumas	5	5.5. Ledukų konteineris	18
1.4. Elektros ir elektronikos atliekų (WEE) ir panaudotų produktų utilizavimo direktyvų atitiktis	6	5.6. Kiaušinių dėtuvė	18
1.5. RoHS direktyvos atitiktis	6	5.7. Ventilatorius	18
1.6. Informacija apie pakuotę	6	5.8. Daržovių dėžė	18
2 Šaldytuvas	7	5.9. Nulio laipsnių skyrius	18
3 Įrengimas	8	5.10. Judanti durelių lentyna	19
3.1. Tinkama įrengimui vieta	8	5.11. Ištraukiama dėžutė	19
3.2. Plastikinių kaiščių pritvirtinimas	8	5.12. Daržovių dėžė su drėgmės valdymu	20
3.3. Atramų reguliavimas	8	5.13. Automatinis ledukų gaminimo įtaisas	20
3.4. Maitinimo prijungimas	9	5.14. Ledukų dėklas ir ledukų saugojimo talpykla	21
3.5. Durų perstatymas	10	5.15. Vandens dalytuvo naudojimas	21
3.6. Durų perstatymas	11	5.16. Pripildykite vandens dalytuvo talpyklą	22
4 Paruošimas	12	5.17. Vandens talpyklos valymas	23
4.1. Kaip taupyti energiją	12	5.18. Padėklas nulašančiam vandeniui	24
4.2. Pirmasis įjungimas	12	5.19. Šviežių produktų užšaldymas	25
		5.20. Užšaldytų produktų laikymo rekomendacijos	25
		5.21. Giluminis užšaldymas	25
		5.22. Produktų sudėjimas	26
		5.23. Atidarytų durelių signalas	26
		5.24. Vidinė lemputė	26
		5.25. Durų atidarymo krypties pakeitimasė	26
		6 Priežiūra ir valymas	27
		6.1. Kaip išvengti blogų kvapų	27
		6.2. Plastikinių paviršių apsauga	27
		7 Trikčių diagnostika	28

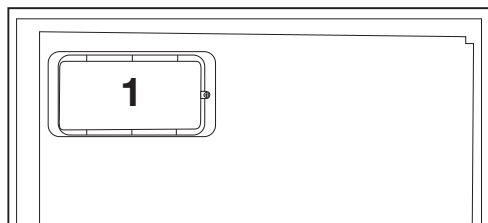
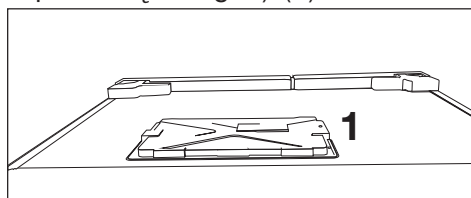
1 Saugumas ir aplinkosaugos instrukcijos

Siame skyriuje pateikiama saugumo informacija, skirta padėti išvengti sužalojimų ir turto pažeidimų. Nesilaikant šių instrukcijų visos garantijos prietaisui nustos galioti.

1.1. Bendroji sauga

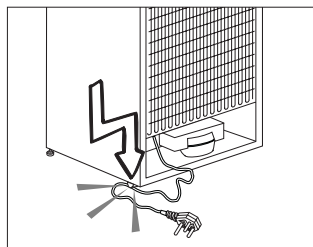
- Šis prietaisas neskirtas naudoti asmenims su fiziniais, protiniais ir jutimais sutrikimais, jei jų tinkamai neapmoko kitas asmuo, bei vaikams. Prietaisu tokie asmenys gali naudotis tik prižiūrimi ir tinkamai instruktuoti už jų saugumą atsakingo asmens. Neleiskite su prietaisu žaisti vaikams.
- Jei prietaisas sugedo, atjunkite jį nuo elektros tinklo.
- Atjungę palaukite bent 5 minutes prieš vėl įjungdami prietaisą. Kai prietaiso nenaudojate, jį išjunkite. Nelieskite kištuko šlapiomis rankomis! Netraukite kištuko už laido, visada laikykite už kištuko.
- Prieš įjungdami nuvalykite maitinimo laido kištuką sausa šluoste.
- Nejunkite šaldytuvo į klibantį elektros lizdą.
- Atjunkite prietaisą, kai atliekate įrenginio, priežiūros, valymo ir remonto darbus.

- Jei prietaiso kurį laiką nenaudokite, išjunkite elektros lizdo kištuką ir išimkite maisto produktus.
- Nevalykite šaldytuvo ir netirpdykite ledo garu ar garinio valymo įrenginiais. Dėl garo kontakto su dalimis, kuriomis teka elektra, gali kilti trumpasis jungimas arba ištikti elektros smūgis!
- Neplaukite prietaiso purkšdami ar pildami ant jo vandenį! Elektros smūgio pavojus!
- Niekomet nenaudokite gaminio, jei gaminio viršuje arba galinėje pusėje esantis skyrius su elektroninėmis spausdintinėmis plokštėmis viduje yra atidarytas (elektroninių spausdintinių plokščių dangtis) (1).



Saugumas ir aplinkosaugos instrukcijos

- Jei prietaisas sugedo, jo nenaudokite, nes gali trenkti elektros smūgis. Prieš ką nors darydami susisiekite su įgaliotąja aptarnavimo tarnyba.
- Įjunkite prietaisą į įžemintą elektros lizdą. Įžeminimą turi atlikti kvalifikuotas elektrikas.
- Jei prietaisas turi LED lempučių, jei jas reikia keisti arba jos sugedo, kreipkitės į įgaliotąją aptarnavimo tarnybą.
- Nelieskite šaldytų maisto produktų šlapiomis rankomis! Jie gali lipti prie rankų!
- Nedėkite į šaldiklį butelių ir skardinių su skysčiais. Jie gali sprogti!
- Skysčius statykite talpose stačiai, sandariai uždarę dangtelius.
- Prie prietaiso nepurškite degių medžiagų, nes jos gali užsidegti ar sprogti.
- Nelaikykite šaldytuve degių medžiagų ir produktų su degiomis dujomis (aerzolių ir pan.).
- Nedėkite talpų su skysčiais ant prietaiso. Ant dalių, kuriomis teka elektra, išbėgusių skysčių kyla elektros smūgio ir gaisro pavojus.
- Saugokite prietaisą nuo lietaus, sniego, tiesioginių saulės spindulių ir vėjo. Kai prietaisą perkeliate į kitą vietą, netraukite jo už durų rankenos. Rankena gali atlužti.
- Saugokite, kad prietaise neįstrigtų ranka ar kita kūno dalis.
- Nelipkite ir nesiremkite į dureles, stalčius ir pan. Dėl to prietaisas gali nukristi ir būti pažeistas.
- Neprispauskite elektros laido.



1.1.1 HC įspėjimas

Jei prietaise yra aušinimo sistema su R600a dujomis, saugokite aušinimo sistemą ir vamzdžius nuo pažeidimo perveždami ir naudodami prietaisą. Šios dujos yra degios. Jei aušinimo sistema pažeista, patraukite produktą saugiu atstumu nuo liepsnos ir iškart gerai išvėdinkite patalpą.



Etiketėje ant vidinės pusės kairėje nurodyta, kokio tipo dujos naudojamos prietaise.

1.1.2 Modeliams su vandens fontanu

- Slėgis šalto vandens įvade neturi viršyti 90 psi (6,2 bar). Jei slėgis jūsų vandens sistemoje viršija 80 psi (5,5 bar), joje turi būti sumontuotas slėgio ribojimo vožtuvas. Jei nežinote, kaip patikrinti vandens slėgį, kreipkitės į santechnikos specialistą.
- Jeigu jūsų vandentiekio sistemoje kyla hidraulinių smūgių pavojus, visada privalote naudoti apsaugos nuo hidraulinių smūgių įrangą. Pasitarkite su santechnikos specialistu, jeigu nesate užtikrinti, kad jūsų vandentiekio sistemoje nėra hidraulinių smūgių pavojaus.
- Negalima montuoti karšto vandens įvade. Saugokite žarnas nuo užšalimo. Darbinė vandens temperatūra turi būti nuo 33 °F (0,6 °C) iki 100 °F (38 °C).
- Naudokite tik geriamąjį vandenį

1.2. Numatytoji paskirtis

- Prietaisas yra skirtas naudoti namuose. Jis neskirtas komerciniam naudojimui.
- Prietaisas skirtas tik maisto produktams ir gėrimams laikyti.
- Nelaikykite jame produktų, kuriems reikia tiksliai reguliuojamos temperatūros (vakcinų, vaistų, kuriems reikia konkrečios temperatūros, medicininės paskirties priemonių ir pan.).
- Gamintojas neprisiima atsakomybės už pažeidimus dėl netinkamo ar neatsargaus naudojimo.
- Numatytoji eksploataavimo trukmė yra 10 metų. Per šį laikotarpį bus prireikus tiekiamos atsarginės dalys, kurių reikia, kad prietaisas veiktų tinkamai.

1.3. Vaikų saugumas

- Laikykite pakuotes vaikams nepasiekiamoje vietoje.
- Neleiskite su prietaisu žaisti vaikams.
- Jei ant durelių yra užraktas, laikykite raktą vaikams nepasiekiamoje vietoje.

Saugumas ir aplinkosaugos instrukcijos

1.4. Elektros ir elektronikos atliekų (WEE) ir panaudotų produktų utilizavimo direktyvų atitiktis

Šis prietaisas atitinka ES WEEE direktyvą (2012/19/ES). Prietaisas yra pažymėtas elektrinių ir elektroninių įrenginių atliekų (WEEE) klasifikacijos simboliu.



Prietaisas yra pagamintas iš aukštos kokybės dalių ir medžiagų, kurias galima panaudoti pakartotinai arba perdirbti. Neišmeskite prietaiso su buitėmis atliekomis. Atiduokite jį į specialų elektrinių ir elektroninių atliekų surinkimo centrą. Kur rasti tokį

centrą, teiraukitės vietinėje atsakingoje institucijoje.

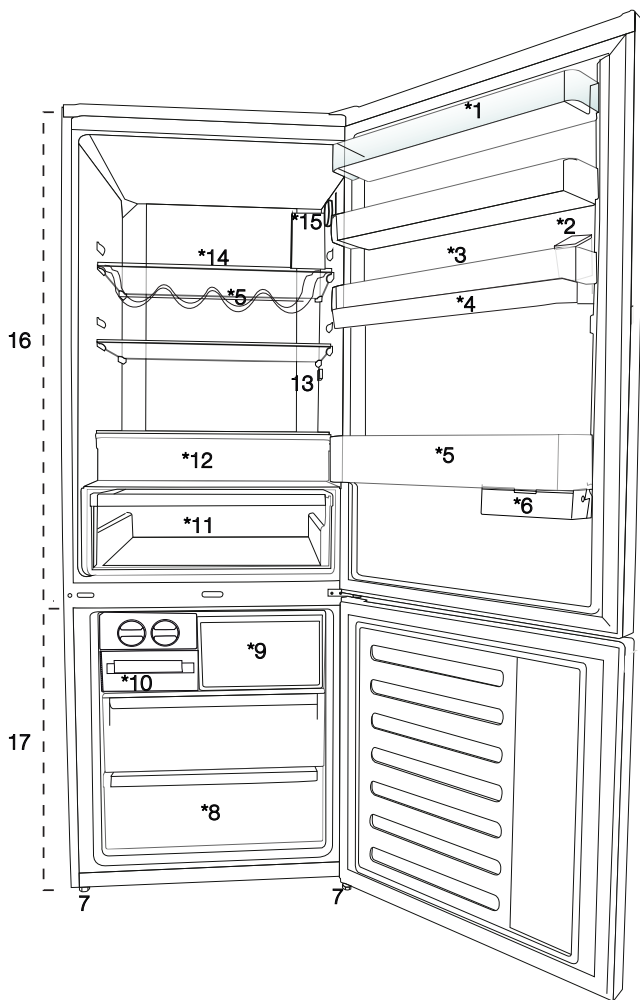
1.5. RoHS direktyvos atitiktis

- Šis prietaisas atitinka ES WEEE direktyvą (2011/65/ES). Jame nėra kenksmingų ir draudžiamų medžiagų, išvardintų direktyvoje.

1.6. Informacija apie pakuotę

- Prietaiso pakuotės yra pagamintos iš perdirbamų medžiagų pagal mūsų nacionalinius aplinkosaugos reikalavimus. Neišmeskite pakuočių su buitėmis ar kitomis atliekomis. Atiduokite jas perdirbti į pakuočių surinkimo centrą, nurodytą vietinių atsakingųjų institucijų.

2 Šaldytuvas



1. Vėsinimo skyriaus durelių lentyna
2. Vandens dozatoriaus užpildymo bakelis
3. Kiaušinių skyrius
4. Vandens dozatoriaus talpykla
5. Butelių lentyna
6. Ištraukiama dėžutė
7. Reguliuojamos kojelės
8. Užšaldymo skyrius
9. Greitojo užšaldymo skyrius
10. Ledo kubelių dėklas ir ledo talpykla
11. Daržovių dėžė
12. Nulio laipsnių skyrius
13. Vidaus apšvietimo lemputė
14. Vėsinimo skyriaus stiklo lentyna
15. Temperatūros reguliavimo mygtukas
16. Vėsinimo skyrius
17. Šaldiklio skyrius



*Pasirinktinai: šioje instrukcijoje pateikiamos iliustracijos yra sąlyginės ir gali skirtis nuo konkretaus jūsų prietaiso. Jei jūsų prietaise tokių dalių nėra, informacija apie jas taikoma kitiems prietaiso modeliams.

3 Įrengimas

3.1. Tinkama įrengimui vieta

Dėl prietaiso įrengimo kreipkitės į įgaliotąjį aptarnavimo centrą. Kaip paruošti prietaisą, žr. informaciją naudojimo instrukcijoje, įsitikinkite, kad yra reikalingi vandens ir elektros linijų prievadai. Jei jų nėra, susisiekite su elektriku ir santechniku, kad juos įrengtų.



ĮSPĖJIMAS: Gamintojas neprisiima atsakomybės už žalą, atsiradusią dėl to, kad darbus atliko neįgaloti asmenys.



ĮSPĖJIMAS: Įrengiant prietaisą turi būti atjungtas nuo elektros tinklo. To nepadarius galima sunkiai ar net mirtinai susižaloti!



ĮSPĖJIMAS: Jei durys per siauros ir prietaisas pro jas netelpa, nuimkite duris ir pasukite prietaisą šonu; jei ir tai nepaveda, kreipkitės į įgaliotąjį aptarnavimo centrą.

- Statykite prietaisą ant lygaus paviršiaus, kad jis nevibruotų.
- Statykite prietaisą bent 30 cm atstumu nuo kaitlentės ir kitų šilumos šaltinių ir bent 5 cm atstumu nuo elektrinių orkaitių.
- Saugokite prietaisą nuo tiesioginių saulės spindulių ir nelaikykite drėgnoje aplinkoje.
- Kad prietaisas veiktų tinkamai, reikia pasirūpinti gera oro cirkuliacija. Jei prietaisą statote į nišą, palikite bent 5 cm tarp prietaiso, sienų ir lubų.
- Nestatykite prietaiso aplinkoje, kur temperatūra nukrenta iki žemesnės nei $-5\text{ }^{\circ}\text{C}$.

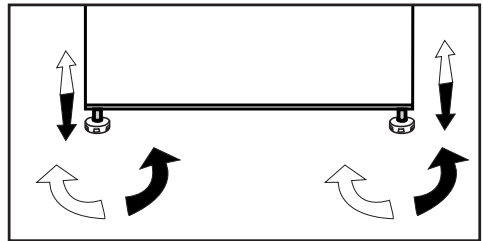
3.2. Plastikinių kaiščių pritvirtinimas

Su prietaisu pateikiami plastikiniai kaiščiai, kurie leidžia užtikrinti pakankamą oro cirkuliaciją tarp prietaiso ir sienų.

1. Norėdami juos pritvirtinti, atsukite varžtus nuo šaldytuvo ir prisukite varžtus, pateiktus su kaiščiais.
2. Pritvirtinkite 2 plastikinius kaiščius ant ventiliacijos dangtelio, kaip pavaizduota į pav.

3.3. Atramų reguliavimas

Jei prietaisas stovi nestabiliai, pareguliuokite priekines atramas pasukdami į kairę arba į dešinę.



3.4. Maitinimo prijungimas



ĮSPĖJIMAS: Nenaudokite ilgintuvų ar paskirstymo lizdų.



ĮSPĖJIMAS: Pažeistą maitinimo laidą turi pakeisti įgaliotoji aptarnavimo tarnyba.

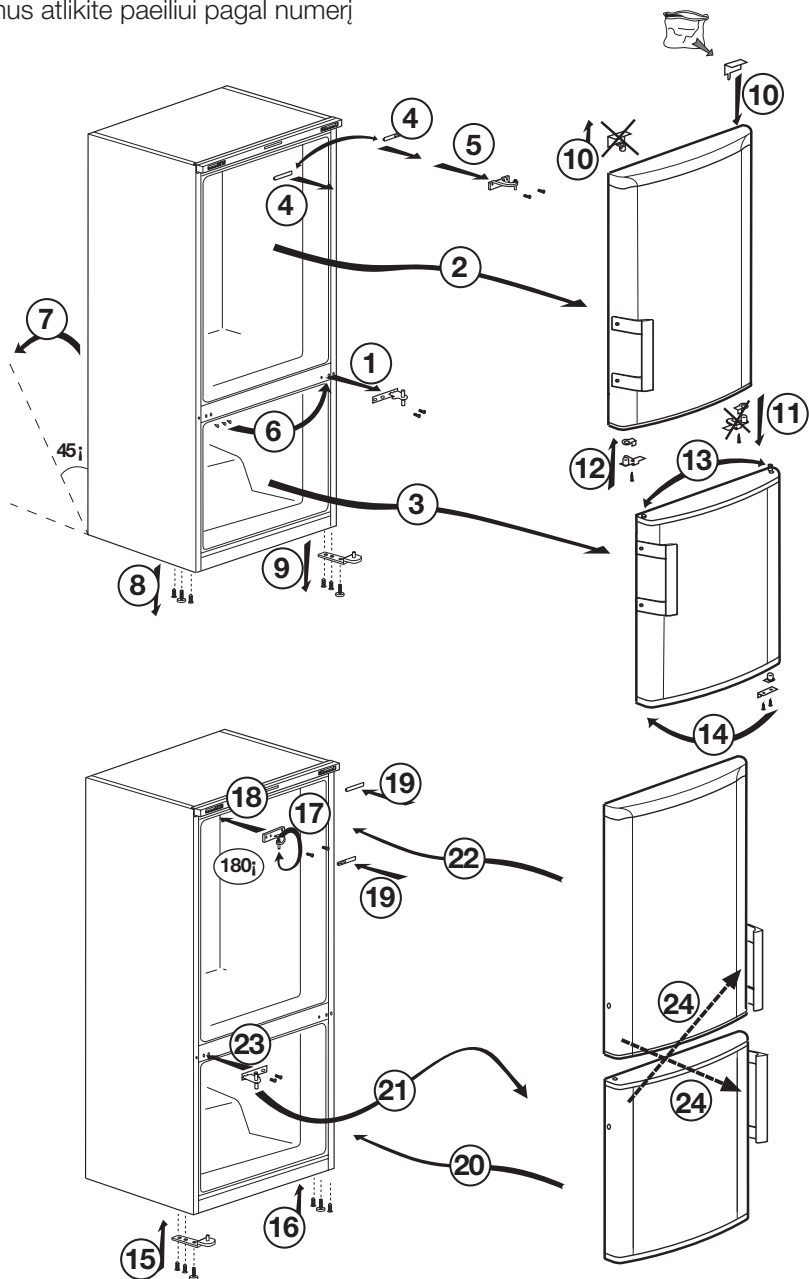


Jei šalia statote du aušintuvus, tarp jų palikite bent 4 cm tarpą.

- Mūsų įmonė neprisiima atsakomybės dėl pažeidimų, atsiradusių dėl to, kad prietaisas nebuvo prijungtas ir įžemintas pagal nacionalines taisykles.
- Pastačius prietaisą maitinimo laido kištukas turi būti lengvai pasiekiamas.
- Prietaisą junkite prie įžeminto lizdo su 220-240 V / 50 Hz įtampa. Prie kištuko turi būti 10-16 A saugiklis.
- Nenaudokite kelių jungčių kištuko su ilgintuvu ar be jo.

3.5. Durų perstatymas

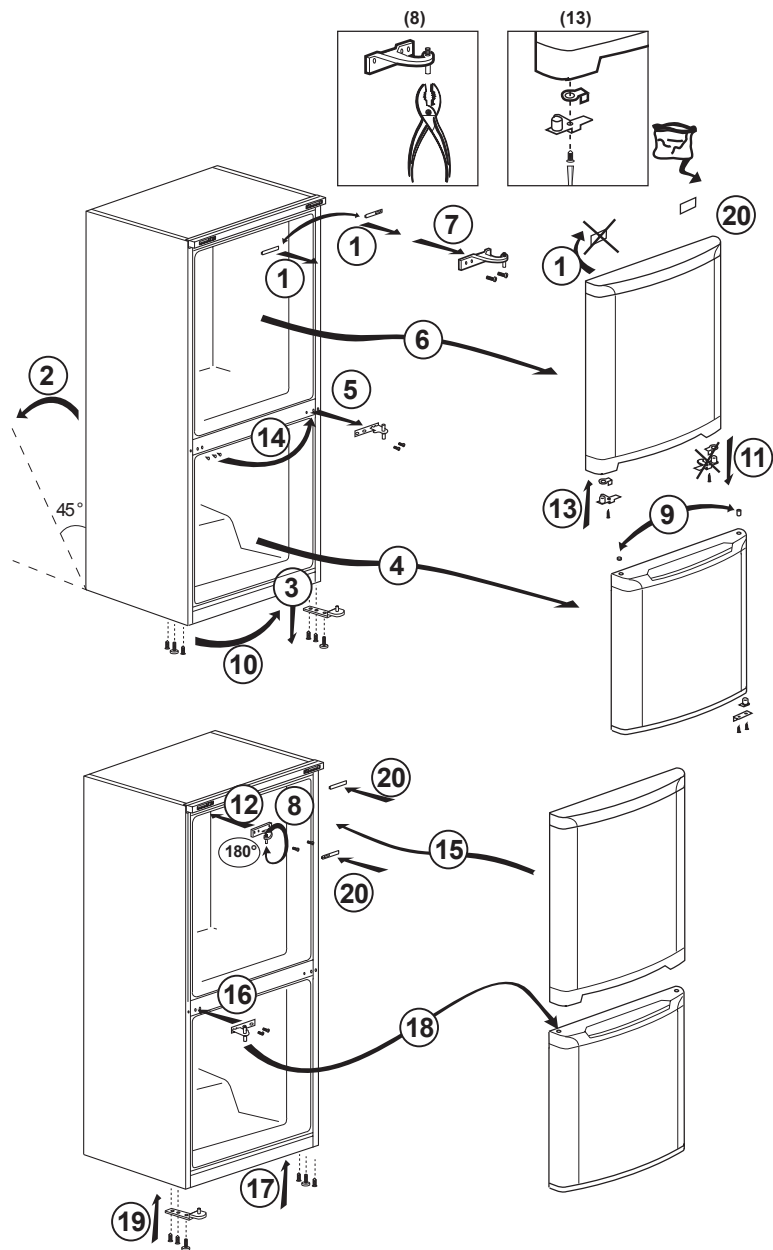
Veiksmus atlikite paeiliui pagal numerį



Įrengimas

3.6. Durų perstatymas

Veiksnius atlikite paeiliui pagal numerį



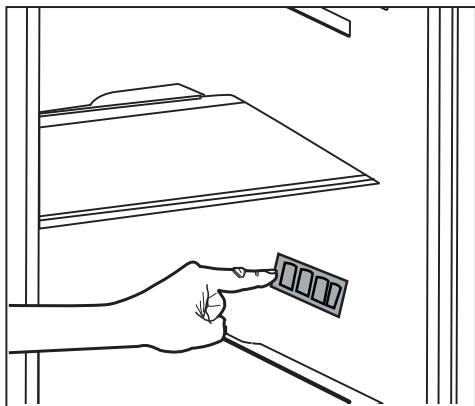
4 Paruošimas

4.1. Kaip taupyti energiją



Prijungiant prietaisą prie energijos taupymo sistemos kyla pavojus jį sugadinti.

- Nelaikykite ilgą laiką atidarytų šaldytuvo durelių.
- Nedėkite į šaldytuvą karšto maisto ar skysčio.
- Neperpildykite šaldytuvo, nes dėl užstotų ventiliacijos angų šaldymas bus ribotas.
- Energijos sąnaudų vertė, nurodyta šaldytuvui, buvo matuojama išėmus šaldiklio kameros viršutinę lentyną, kitos lentynos ir apatinis stalčius buvo vietoje, buvo nustatyta maksimali apkrova. Viršutinę stiklinę lentyną galima naudoti priklausomai nuo norimo šaldyti maisto produktų dydžio ir formos.
- Priklausomai nuo prietaiso ypatybių, šaldytų produktų atšildymas aušinimo kameroje padeda taupyti elektros energiją ir išsaugoti maisto kokybę.
- Šaldymo kameros dėžės ir stalčiai padeda sumažinti elektros sąnaudas ir užtikrinti geresnę produktų kokybę, todėl visada juos naudokite.
- Maisto produktų kontaktas su temperatūros jutikliu šaldiklio kameroje gali padidinti prietaiso elektros sąnaudas. Stebėkite, kad prie jutiklio niekas nesiliestų.
- Pasirūpinkite, kad maisto produktai nesiliestų prie aušinimo kameros temperatūros jutiklio.



4.2. Pirmasis įjungimas

Prieš naudodamiesi šaldytuvu imkitės reikalingų priemonių pagal instrukcijas skyriuose apie saugumą ir aplinkos apsaugą bei įrengimą.

- Leiskite prietaisui paveikti be maisto produktų bent 6, neatidarinėkite durelių, jei tai nėra neišvengiamai būtina.



Kai įsijungs kompresorius, išgirsite triukšmą. Tai normalu, garsas girdisi, net jei kompresorius neveikia, nes aušinimo sistemoje cirkuliuoja slėgio veikiami skysčiai ir dujos.



Kad priekiniai šaldytuvo kraštai gali būti šilti, yra normalu. Šios zonos yra numatytos būti šiltos, kad viduje nesikaupytų kondensatas.



Kai kurių modelių instrumentų skydelis automatiškai išsijungs po 5 minučių po durelių uždarymo. Jis vėl įsijungs paspaudus bet kurį mygtuką arba atidarius dureles.

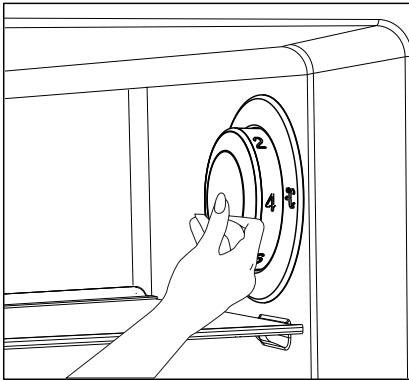
5.1. Temperatūros reguliavimo mygtukas

Šaldytuvo vidaus temperatūra priklauso nuo šių priežasčių:

- sezoninės temperatūros;
- ilgam laikui palikus atidarytas šaldytuvo duris;
- pridėjus į šaldytuvą maisto, kuris nėra atvėsusęs iki kambario temperatūros;
- dėl šaldytuvo vietos patalpoje (pvz., pastačius jį ten, kur jį veikia tiesioginiai saulės spinduliai).
- Dėl šių veiksnių besikeičiančių vidaus temperatūrą galima reguliuoti mygtuku.

Skaičiai aplink reguliavimo mygtuką nurodo temperatūrą Celsijaus laipsniais – °C.

Jei aplinkos temperatūra yra 20 °C, rekomenduojama nustatyti 4 °C šaldytuvo temperatūrą. Esant kitai aplinkos temperatūrai, šią reikšmę galima tinkinti.

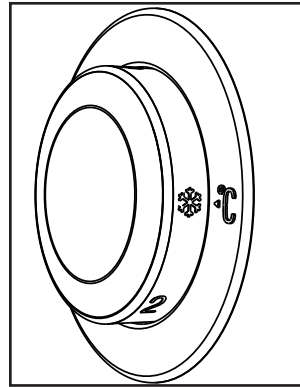


5.2. Greitas šaldymas

Jei norite užšaldyti didelį kiekį šviežių produktų, temperatūros reguliavimo mygtuką perjunkite į padėtį (❄️) prieš įdėdami produktus į greitojo užšaldymo skyrių.


Norint užšaldyti maksimalų leidžiamą maisto kiekį, rekomenduojama palikti rankenėlę ties šia padėtimi 24 valandoms. Svarbu nemišyti šaldyto ir šviežio maisto.

Nepamirškite perjungti temperatūros reguliavimo mygtuko į ankstesnę padėtį.



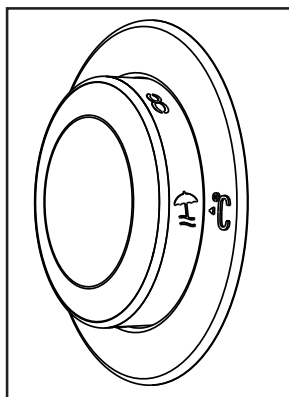
***Pasirinktina:** Iliustracijos šiame vadove yra nuorodinės, jos gali tiksliai neatitikti jūsų prietaiso. Jei jūsų prietaise tokių dalių nėra, informacija apie jas taikoma kitiems prietaiso modeliams.

5.3. Atostogų funkcija

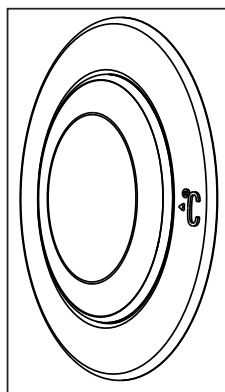
Jeigu gaminio durelės neatidaromos () bent 12 valandų esant didžiausiai temperatūros nustatymo mygtuko padėčiai, automatiškai įjungiama atostogų funkcija.

Norint atšaukti funkciją, reikia pakeisti mygtuko nustatymą.

Veikiant atostogų funkcijai, šaldytuve rekomenduojama nelaikyti maisto produktų.

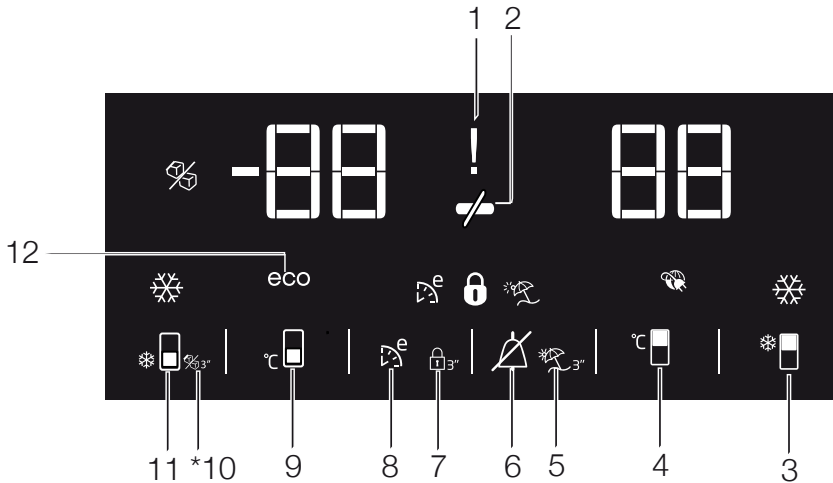


- Baigę nustatymą galite paslėpti temperatūros nustatymo mygtuką jį įspausdami.




5.4. Valdymo skydelis

Naudodami valdymo skydelį, galite nustatyti temperatūrą ir kitas su gaminiu susijusias funkcijas, neatidarydami gaminio durelių. Tiesiog paspauskite atitinkamų funkcijų nustatymų mygtukų užrašus.



1. Elektros tiekimo nutrūkimo / aukštos temperatūros / įspėjimo apie klaidą indikatorius

Šis indikatorius  šviečia dėl gedimų pakilus aukštai temperatūrai bei esant įspėjimų apie klaidas. Jei energijos tiekimas nutrūksta ilgam, šaldiklio skyriaus pasiektos aukščiausios temperatūros rodmuo mirksės skaitmeniniame ekrane. Patikrinę šaldiklio skyriuje (🔌) esantį maistą, paspauskite įspėjimo išjungimo mygtuką, kad įspėjimas dingtų.

Pastebėję, kad šis indikatorius šviečia, žr. naudojimo instrukcijos trikių šalinimo skyriuje aprašytus trikių atitaisymo būdus.

2. Energijos taupymo funkcija (ekrano išjungimas):

Jei produkto durelės ilgai laikomos uždarytos, automatiškai įjungiama energijos taupymo funkcija ir uždegamas energijos taupymo simbolis. (🔌)

Kai veikia energijos taupymo funkcija, išjungiami visi ekrano simboliai, išskyrus energijos taupymo. Kai veikia energijos taupymo funkcija, paspaudus bet kurį mygtuką arba atidarius dureles, energijos taupymo funkcija bus atšaukta ir ekrane vėl bus rodomi simboliai.

Energijos taupymo funkcija įjungiama gabenant iš gamyklos, jos negalima atšaukti.



***Pasirinktinai:** Iliustracijos šiame vadove yra nuorodinės, jos gali tiksliai neatitikti jūsų prietaiso. Jei jūsų prietaise tokių dalių nėra, informacija apie jas taikoma kitiems prietaiso modeliams.

Prietaiso naudojimas

3. Greitojo atvėsinimo funkcija

Šis mygtukas atlieka dvi funkcijas. Spustelėkite jį, jeigu norite įjungti arba išjungti greitojo atvėsinimo funkciją. Sparčiojo vėsinimo indikatorius užges ir gaminyje vėl galios normalios nuostatos. 



Naudokite greitojo atvėsinimo funkciją, kai norite greitai atvėsinti į šaldytuvo skyrių sudėtą maistą. Jei norite užšaldyti didelį kiekį šviežių produktų, įjunkite šią funkciją, prieš sudėdami produktus gaminį.



Jeigu jos neišjungssite, po 8 valandų arba kai šaldytuvo skyriuje temperatūra pasieks reikiamą lygį, greitojo atvėsinimo funkcija bus išjungta automatiškai.




Jeigu greitojo užšaldymo mygtukas spausite daugiau nei vieną kartą per trumpą laikotarpį, įsijungs elektroninės grandinės apsaugos sistema ir kompresorius iš karto neįsijungs.




Kai nutrūkus elektros tiekimui elektra vėl atsiranda, ši funkcija nėra atkuriamą.

4. Šaldytuvo skyriaus termostato nustatymo rankenėlė


Spauskite šį mygtuką, kad šaldytuve atitinkamai nustatytumėte 8, 7, 6, 5, 4, 3, 2, 8... laipsnių temperatūrą. Spauskite šį mygtuką, kol nustatysite pageidaujama šaldytuvo skyriaus temperatūrą. 

5. Atostogų funkcija



Norėdami įjungti atostogų funkciją, palaikykite nuspaudę šį mygtuką (3 sekundes: užsidegs atostogų režimo indikatorius ). Kai atostogų funkcija veikia, šaldytuvo skyriaus temperatūros indikatoriuje rodoma „-“ o šaldytuvo skyrius nešaldomas. Veikiant atostogų funkcijai, šaldytuve maisto produktų laikyti negalima. Kiti skyriai ir toliau bus šaldomi, atsižvelgiant į jų nustatytą temperatūrą.

Jeigu šią funkciją norite atšaukti, dar kartą paspauskite **atostogų funkcijos** mygtuką.

6. Įspėjamasis garso signalas


Jei įjungtas signalas dėl energijos tiekimo nutrūkimo / aukštos temperatūros, patikrinkite šaldiklio skyriuje esantį maistą ir paspauskite signalo išjungimo mygtuką , kad pašalintumėte įspėjimą.

7. Mygtukų užraktas

3 sekundes palaikykite nuspaudę mygtukų užrakto mygtuką . Užsidegs mygtukų užrakto simbolis  ir mygtukų užrakto režimas bus įjungtas. Veikiant mygtukų užrakto režimui, mygtukai neveiks. Dar kartą 3 sekundes palaikykite nuspaudę mygtukų užrakto mygtuką. Mygtukų užrakto simbolis užges ir mygtukų užrakto režimas bus išjungtas.


Paspauskite **mygtukų užrakto** mygtuką, jeigu norite, kad šaldytuve negalima būtų pakeisti temperatūros nuostatos .

8. „Eco Fuzzy“


Norėdami įjungti funkciją „Eco Fuzzy“, 1 sekundę palaikykite nuspaudę „Eco Fuzzy“ mygtuką. Įjungus šią funkciją, šaldytuvą pradės veikti ekonomiškiausiu režimu praėjus mažiausiai 6 valandoms, ir švies taupaus naudojimo indikatorius ). Norėdami funkciją „Eco Fuzzy“ išjungti, 3 sekundes palaikykite nuspaudę funkcijos „Eco Fuzzy“ mygtuką.

Šis indikatorius užsidega praėjus 6 valandoms nuo funkcijos „Eco Fuzzy“ įjungimo.

9. Šaldiklio kameros temperatūros nustatymo mygtukas

Spauskite šį mygtuką, kad šaldiklyje atitinkamai nustatytumėte -18,-19,-20,-21, -22, -23,-24, -18... laipsnių temperatūrą. Spauskite šį mygtuką, kol nustatysite pageidaujama šaldiklio skyriaus temperatūrą. 


10. „Icematic“ išjungimo indikatorius

Nurodo, ar ledukų gaminimo funkcija įjungta, ar išjungta.  Jei įjungta, tuomet ledukų gaminimo funkcija neveikia. Kad „Icematic“ vėl veiktų, 3 sekundes palaikykite paspaudę įjungimo-išjungimo mygtuką.



Pasirinkus šią funkciją, vanduo iš vandens talpyklos nustos tekėti. Tačiau anksčiau pagaminimą ledą galima išimti iš „Icematic“.

11. Greitojo užšaldymo mygtukas / ledukų gaminimo funkcijos įjungimo-išjungimo mygtukas

Paspauskite šį mygtuką, jeigu norite įjungti arba išjungti greitojo užšaldymo funkciją. Suaktyvinus funkciją, šaldiklio kamera atšals iki temperatūros, žemesnės nei nustatyta reikšmė. 

Norėdami įjungti ir išjungti „Icematic“, 3 sekundes palaikykite jį nuspaudę.



Naudokite greitojo užšaldymo funkciją, kai norite greitai užšaldyti į šaldytuvo skyrių sudėtą maistą. Jei norite užšaldyti didelį kiekį šviežių produktų, šią funkciją rekomenduojama įjungti prieš įdedant produktus į šaldytuvą.




Jeigu jos neišjungsitė, po 4 valandų arba kai šaldytuvo skyriuje temperatūra pasieks reikiamą lygį, greitojo atvėsavimo funkcija bus išjungta automatiškai.



Kai nutrūkus elektros tiekimui elektra vėl atsiranda, ši funkcija nėra atkuriamą.

12. Ekonomiško naudojimo indikatorius

Rodo, kad gaminys veikia energijos taupymo režimu.  Šis indikatorius bus rodomas tuomet, jei šaldiklio skyriaus temperatūra bus nustatyta ties -18 laipsnių temperatūra arba veikiant funkcijai „Eco-Extra“, prietaisas veiks energijos taupymo režimu.



Pasirinkus greito atvėsavimo arba greitojo šaldymo funkcijas, ekonomiško naudojimo indikatorius užgesa.

5.5. Ledukų konteineris

*pasirinktinai

- Išimkite ledukams skirtą vandens talpyklą iš šaldiklio skyriaus.
- Užpildykite ledukams skirtą vandens talpyklą.
- Įdėkite ledukams skirtą vandens talpyklą į šaldiklio skyrių.
- Ledukai sušals maždaug per dvi valandas. Išimkite ledukams skirtą vandens talpyklą iš šaldiklio skyriaus, šiek tiek sulenkite ties indu, kuriame norite patiekti ledukus. Ledukai lengvai sukris į tiekimo indą.

5.6. Kiaušinių dėtuvė

Kiaušinių dėtuvę galite laikyti durelių lentynoje arba ant pasirinkto laikiklio. Jei nuspręsite naudoti laikiklį, rekomenduojame jį dėti į žemiau esančias lentynas, nes jos šaltesnės.



Nelaikykite kiaušinių dėtuvės šaldiklio skyriuje.

5.7. Ventilatorius

Ventilatorius sukurtas taip, kad vienodai paskirs-tytų šaltį jūsų šaldytuve. Ventilatoriaus veikimo laikas gali skirtis atsižvelgiant į jūsų gaminio savybes.

Kai kuriuose gaminiuose ventilatorius veikia tik su kompresoriumi, tačiau kituose gaminiuose vėsinimo laiką nustato valdymo sistema.

5.8. Daržovių dėžė

*pasirinktinai

Gaminio daržovių dėžė pagaminta taip, kad išsaugotų joje laikomų daržovių drėgnumą. Todėl daržovių dėžėje sustiprinama bendra šalto oro cirkuliacija.

5.9. Nulio laipsnių skyrius

*pasirinktinai

Šiame skyriuje laikykite delikatesus, kuries reikia žemesnės temperatūros, arba greitai vartojamus mėsos produktus.

Nulio laipsnių skyrius yra vėsiausia vieta, idealiai tinkanti laikyti pieno, mėsos, žuvies ir vištienos produktus. Į šį skyrių nereikėtų dėti daržovių ir (arba) vaisių.

Prietaiso naudojimas

5.10. Judanti durelių lentyna

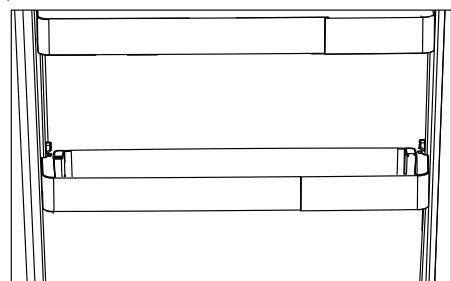
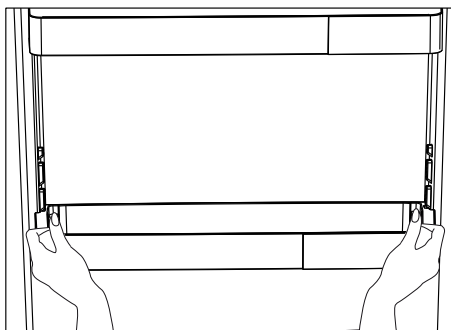
*pasirinktinai

Judančią durelių lentyną galima tvirtinti 3 skirtingose padėtyse.

Norėdami išimti lentyną, vienu metu paspauskite šone esančius mygtukus. Lentyną galėsite išimti.

Perkelkite lentyną į viršų arba į apačią.

Kai lentyna bus reikiamoje padėtyje, atleiskite mygtukus. Lentyna bus įtvirtinta toje vietoje, ties kuria atleidote mygtukus.

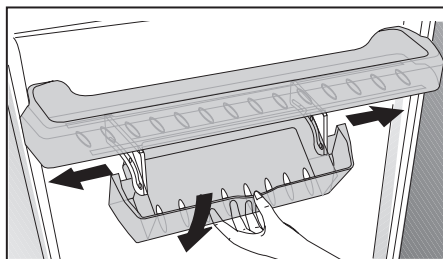


5.11. Ištraukiama dėžutė

*pasirinktinai

Šie priedai skirti geriau išnaudoti durelių lentynų talpumą.

Dėl judėjimo į šonus galimybės į butelių lentyną galima lengvai įdėti ilgą butelį, stiklainį ar dėžutes.



Prietaiso naudojimas

5.12. Daržovių dėžė su drėgmės valdymu

*pasirinktinai

Esant drėgmės valdymo funkcijai, valdomi daržovių ir vaisių drėgmės rodikliai, todėl produktai ilgiau išlieka švieži.

Lapines daržoves, pvz., salotas, špinatus ir panašias greitai džiūstančias daržoves, rekomenduojama daržovių dėžėje laikyti ne šaknimis žemyn, o horizontaliai.

Dėdami daržoves, sunkias ir tvirtas daržoves dėkite apačioje, o lengvas ir minkštas – ant viršaus, atsižvelgdami į konkretų daržovių svorį.

Dėdami daržoves į daržovių dėžę, išimkite jas iš plastikinių maišelių. Jei paliksite daržoves plastikiniuose maišeliuose, jos greitai supus. Jei nenorite, kad daržovės liestųsi, naudokite tokias higieniškas poringas pakavimo medžiagas, kaip popierių.

Nedėkite daug etileno dujų išskiriančių vaisių (pvz., kriaušių, abrikosų, persikų ir ypač obuolių) į tą pačią daržovių dėžę kartu su kitomis daržovėmis ir vaisiais. Dėl šių vaisių išskiriamų etileno dujų kitos daržovės ir vaisiai gali greičiau sunokti ir sugesti.

5.13. Automatinis ledukų gaminimo įtaisas

*pasirinktinai

Automatinis ledukų gaminimo įtaisas gamina ledukus jūsų šaldytuve. Jei norite, kad ledukų gaminimo įtaisas gamintų ledukus, ištraukite šaldytuvo skyriuje esantį vandens bakelį, pripilkite jį vandens ir įdėkite atgal.

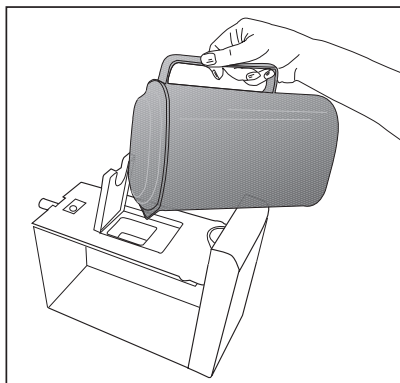
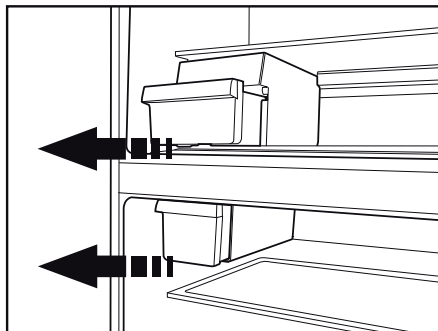
Pirmieji ledukai bus paruošti po maždaug 2 valandų ledukų gaminimo įtaiso stalčiuje, kuris yra šaldiklio skyriuje.

Iš pilno bakelio vandens gausite apie 60–70 kubelių ledo.

Jei vanduo talpykloje stovi 2–3 savaites, jį reikia pakeisti.



Gaminiuose, kuriuose yra automatinis ledukų gaminimo įtaisas, galite girdėti krentančių ledukų garsą. Tai visiškai normalu ir nėra gedimas.



Prietaiso naudojimas

5.14. Ledukų dėklas ir ledukų saugojimo talpykla

***pasirinktinai**

Ledukų dėklo naudojimas

Pripilkite į ledukų dėklą vandens ir įdėkite jį į šaldiklį. Ledukai sušals maždaug per dvi valandas. Norėdami išimti ledukus, neištraukite ledukų dėklo iš jo lizdo.

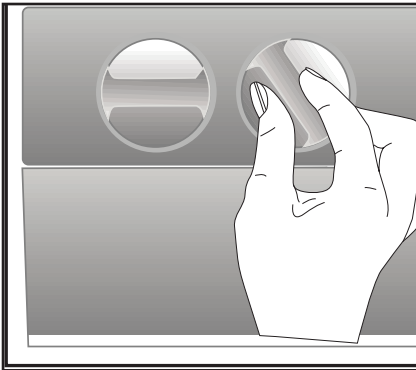
Pasukite ant dėklo esančias rankenėles 90 laipsnių kampą.

Formelėse esantys ledo kubeliai iškris į apačioje esančią ledukų saugojimo talpyklą. Galite ištraukti ledukų saugojimo talpyklą ir pateikti ledo kubelius.

Jeigu norite, galite laikyti ledo kubelius ledukų saugojimo talpykloje.

Ledukų saugojimo talpykla

Ledukų saugojimo talpykla skirta tik ledo kubeliams kaupti. Nepilkite į ją vandens. Kitaip ji gali sutrūkti.



5.15. Vandens dalytuvo naudojimas

***pasirinktinai**



Kelių pirmų stiklinių vanduo iš dozatoriaus bus šiltas – tai normalu.

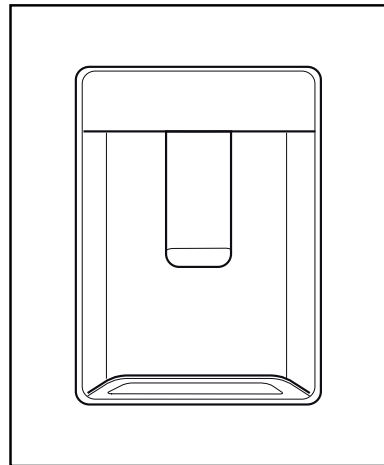


Jei vandens dalytuvo ilgai nenaudojote, prieš gerdami pirmas kelias stiklines išpilkite.

1. Stiklinė paspauskite vandens dalytuvo svirtį. Jei naudosite minkštą plastikinį puodelį, spausti svirtį ranka bus lengviau.
2. Pripildę puodelį iki norimo lygio, atleiskite svirtį.



Atkreipkite dėmesį, kad vandens srautas priklauso nuo to, kaip stipriai spaudžiate svirtį. Kai stiklinė bus beveik pilna, lėtai atleiskite svirtį, kad vanduo nebėgtų per kraštus. Jeigu per mažai nuspausite svirtį, vanduo lašės; tai visiškai normalu ir nėra gedimas.



Prietaiso naudojimas

5.16. Pripildykite vandens dalytuvo talpyklą

Vandens talpyklą pripildantis bakelis yra durelių lentynoje.

1. Atidarykite talpyklos dangtį.
2. Pripildykite talpyklą geriamu vandeniu.
3. Uždarykite dangtį.



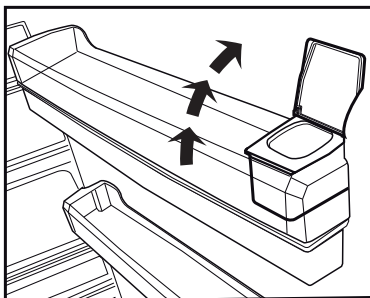
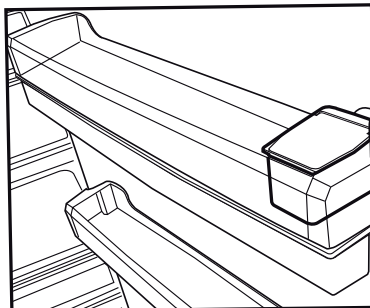
Nepilkite į vandens talpyklą jokio kito skysčio, pavyzdžiui, vaisių sulčių, gazuotų arba alkoholinių gėrimų, kurie nėra tinkami laikyti vandens dalytuve, tik vandenį. Vandens dalytuvas nepataisomai suges, jeigu jame laikysite kitos rūšies skysčius. Tokiu atveju garantija nebegalios. Tam tikros tokių rūšių gėrimuose/skysčiuose esančios cheminės medžiagos ir priemaišos gali sugadinti vandens talpyklos medžiagą.



Naudokite tik švarų geriamą vandenį.



Vandens bakelio talpa yra 3 litrai; neperpildykite.

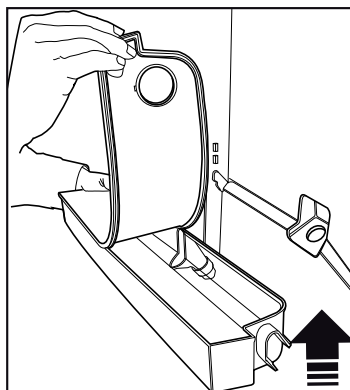
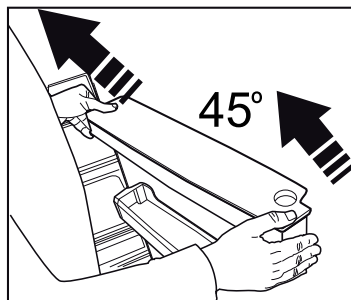
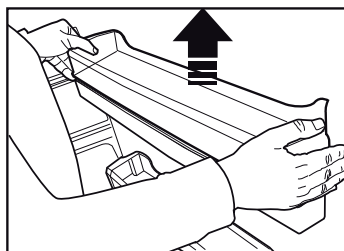
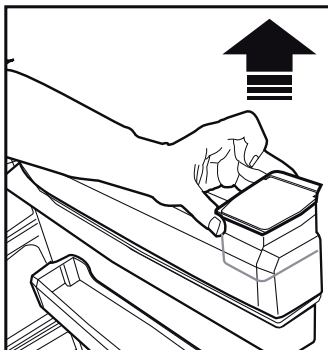


5.17. Vandens talpyklos valymas

1. Išimkite vandens talpyklą pripildantį bakelį iš durelių lentynos.
2. Laikydami iš abiejų pusių, išimkite durelių lentyną.
3. Suimkite vandens talpyklą iš abiejų pusių ir išimkite ją, pavertę 45 °C.
4. Nuimkite vandens talpyklos dangtį ir išvalykite talpyklą.



Vandens talpyklos sudedamųjų dalių ir vandens dozatoriaus negalima plauti indaplovėje.



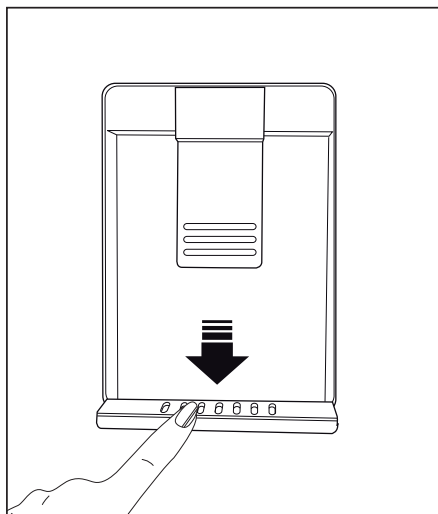
Prietaiso naudojimas

5.18. Padėklas nulašančiam vandeniui

Vandens lašeliai, nutekantys naudojant vandens dlaytuvą, kaupiasi nutekancio vandens padėkle.

Išimkite plastikinį filtrą, kaip parodyta paveikslėlyje.

Švaria sausa šluoste nuvalykite susikaupusį vandenį.



Prietaiso naudojimas

5.19. Šviežių produktų užšaldymas

- Kad maistas išsaugotų savo patrauklumą, šviežius produktus reikia užšaldyti kuo greičiau, tam naudokite greito užšaldymo funkciją.
- Šviežių produktų šaldymas pailgins jų laikymo šaldiklyje laiką.
- Sudėkite produktus į uždarytas pakuotes ir užsandarinkite.
- Nepamirškite jų supakuoti prieš dėdami į šaldiklį. Naudokite šaldikliams skirtus indelius, aliumininę foliją, nedrėkstantį popierių, plastikinius maišelius ar kitas pakuotes, nedėkite maisto produktų, supakuotų į įprastą pakavimo popierių
- Ant kiekvienos pakuotės užrašykite datą prieš užšaldydami. Taip visada žinosite, kiek šviežias yra kiekvienas produktas. Produktus su senesnėmis datomis sunaudokite pirmiausiai.
- Iš karto po atšildymo produktus suvartokite, neužšaldykite jų pakartotinai.
- Nešaldykite didelių kiekių maisto vienu metu.

5.20. Užšaldytų produktų laikymo rekomendacijos

Kameroje turi būti mažiausiai -18 °C temperatūra.

1. Sudėkite produktus į šaldiklį kuo greičiau, kad jie neatitirptų.
2. Prieš užšaldydami patikrinkite produktų galiojimo datą.
3. Patikrinkite, ar nepažeistos produktų pakuotės.

5.21. Giluminis užšaldymas

Pagal IEC 62552 standartą šaldiklis turi galėti užšaldyti iki 4,5 kg maisto produktų prie -18 °C ar žemesnės temperatūros per 24 valandas kiekvienais 100 litro šaldiklio tūrio. Ilgą laiką užšaldytus maisto produktus galima laikyti tik prie -18 °C ar žemesnės temperatūros. Taip maisto produktai išliks švieži ne vieną mėnesį (juos užšaldžius iki 18 °C ar žemesnės temperatūros). Maisto produktai, kuriuos užšaldote, neturi liestis prie jau užšaldytų, nes pastarieji iš dalies atšils. Norėdami pailginti laikymo laiką, daržoves išvirkite ir leiskite vandeniui nubėgti. Po to sudėkite maistą į orui nelaidžias pakuotes ir sudėkite į šaldiklį. Nešaldykite bananų, pomidorų, salotų, salierų, virtų kiaušinių, bulvių ir panašių maisto produktų. Šaldant šiuos maisto produktus suprastės maisto produktų kokybė ir maistinė vertė, jie gali sugesti ir tapti pavojingi sveikatai.

Šaldytuvo kameros temperatūros nustatymas	Šaldiklio kameros temperatūros nustatymas	Apibūdinimas
-18°C	4°C	Tai numatytasis rekomenduojamas nustatymas
-20, -22 arba -24 °C	4°C	Šie nustatymai rekomenduojami aplinkai, kurioje temperatūra viršija 30 °C.
Greitas užšaldymas	4°C	Nustatymą naudokite, norėdami greitai užšaldyti maisto produktus; procesui pasibaigus bus atstatomi ankstesni nustatymai.
-18 °C ar šalčiau	2°C	Naudokite šiuos nustatymus, jei, jūsų nuomone, šaldytuvo kameroj nepakankamai šalta dėl aplinkos temperatūros arba jei dažnai atidaromos durelės.

Prietaiso naudojimas

5.22. Produktų sudėjimas

Šaldiklio skyriaus lentynos	Skirtos įvairiems produktams, įskaitant mėsą, žuvį, ledus, daržoves ir pan.
Aušinimo skyriaus lentynos	Maistas puoduose, uždengtose lėkštėse, uždengtose dėžutėse, kiaušiniai (uždengtoje dėžutėje)
Aušinimo skyriaus durelių lentynos	Nedidelės maisto ir gėrimų pakuotės ir talpos
Dėžės daržovėms	Vaisiai ir daržovės
Šviežio maisto skyrius	Delikatesai (pusryčių maistas, mėsos produktai, kuriuos netrukus suvartosite).

5.23. Atidarytų durelių signalas

(Pasirinktinai)

Jei durelės laikomos atidarytos 1 minutę, pasigirsta įspėjamasis signalas. Jis išsijungia dureles uždarius arba paspaudus signalo išjungimo mygtuką ekrane (jei yra).

5.24. Vidinė lemputė

Vidinėje kameroje naudojama LED lemputė. Jei su ja kyla problemų, kreipkitės į aptarnavimo tarnybą. Šiame prietaise naudojamos lemputės neskirtos patalpoms apšviesti. Jos skirtos tik padėti sudėti ir išimti maisto produktus iš šaldytuvo ir šaldiklio saugiai ir patogiai.

5.25. Durų atidarymo krypties pakeitimasis

Šaldytuvo durų atidarymo kryptį galima pakeisti pagal vietą, kurioje statysite šį buitinį prietaisą. Jei reikia, susisiekite su artimiausia įgaliotąja techninio aptarnavimo tarnyba.

6 Priežiūra ir valymas

Reguliariai valomas prietaisas tarnaus ilgiau.



ĮSPĖJIMAS: Prieš valydami šaldytuvą išjunkite jį iš elektros tinklo.

- Nevalykite aštriais ir braižančiais įrankiais, muilu, valymo skysčiais, skiedikliais, dujomis, benzinu, lakais ir kitokiomis panašiomis priemonėmis.
- Vandenyje ištirpinkite arbatinį šaukštelį karbonato. Sudrėkinkite šluostę vandeniu, išgręžkite. Nuvalykite prietaisą šluoste ir leiskite nudžiūti arba nusausinkite.
- Saugokite, kad vandens nepatektų į lempos dangtelį ir kitas elektrines dalis.
- Dureles valykite drėgna šluoste. Išimkite visus produktus, norėdami išimti durelių ir kamerų lentynas. Norėdami išimti, pakelkite durelių lentynėles į viršų. Išvalykite ir išdžiovinkite lentynėles, tada iš viršaus įstatykite atgal į vietą.
- Nevalykite prietaiso išorinių paviršių ar chromuotų detalių vandeniu su chloru ar valikliais. Dėl chloro metaliniai paviršiai ims rūdyti.
- Nenaudokite aštrių, braižančių įrankių, muilo, buitinių valiklių, ploviklių, žibalo, degalų alyvos, lako ir pan., kad nesideformuotų ir nenusiluptų dažų sluoksnis nuo plastikinių dalių. Nuvalykite su drungnu vandeniu ir minkšta šluoste ir sausai nušluostykite.

6.1. Kaip išvengti blogų kvapų

Iš gamyklos prietaisas pristatomas be jokių kvepiančių medžiagų, tačiau laikant maistą netinkamai ir nevalant vidinių paviršių, viduje gali atsirasti blogas kvapas.

Kad taip neatsitiktų, kas 15 dienų valykite vidų vandeniu su karbonatu.

- Maistą laikykite uždaroje talpose. Iš neuždaryto maisto produktų sklindantys mikroorganizmai gali sukelti blogą kvapą.
- Nelaikykite šaldytuve maisto produktų, kurie sugedo arba išėjo iš galiojimo.

6.2. Plastikinių paviršių apsauga

Ant plastikinių paviršių išpiltas aliejus gali paviršių pažeisti, todėl jį būtina nedelsiant nuvalyti šiltu vandeniu.

7 Trikčių diagnostika

Prieš kreipdamiesi į aptarnavimo tarnybą patikrinkite šiuos dalykus. Tai padės sutaupyti ir laiko, ir pinigų. Jame pateikiamos dažniausiai sutinkamos triktys ir problemos, kurios nėra susijusios su gamybos ar medžiagų defektais. Kai kurios iš apibūdintų funkcijų jūsų modeliui gali būti netaikomos.

Šaldytuvas neveikia.

- Ne iki galo įkištas elektros lizdo kištukas. >>> Tinkamai įkiškite kištuką į lizdą.
- Perdegė saugiklis, prijungtas prie lizdo, į kurį įkištas prietaiso kištukas, arba išmušė pagrindinį saugiklį. >>> Patikrinkite saugiklius.

Ant šaldytuvo vidinių sienelių (MULTI ZONE, COOL, CONTROL ir FLEXI ZONE) kaupiasi vanduo.

- Per dažnai atidaromos durelės >>> Stenkitės per dažnai neatidarinėti prietaiso durelių.
- Per drėgna aplinka. >>> Nestatykite prietaiso drėgnoj aplinkoje.
- Maistas su skysčiu laikomas neuždengtose talpose. >>> Maistą laikykite uždengtose sandariose talpose.
- Prietaiso durelės paliekamos atviros. >>> Nelaikykite ilgai atidarytų prietaiso durelių.
- Termostatas nustatytas į per žemą temperatūrą. >>> Nustatykite termostatą į tinkamą temperatūrą.

Neveikia kompresorius.

- Jei nutrūko elektros tiekimas, ištraukėte elektros laido kištuką ir vėl įjungėte, dujų slėgis prietaiso aušinimo sistemoje tampa nesubalansuotas, ir dėl to įsijungia kompresoriaus terminė apsauga. Prietaisas įsijungs po maždaug 6 minučių. Jei praėjus šiam laikotarpiui prietaisas neįsijungia, kreipkitės į aptarnaujančią tarnybą.
- Įjungta atšildymo funkcija. >>> Tai yra normalu prietaisams su visiškai automatizuotu atšildymu. Atšildymas atliekamas periodiškai.
- Prietaisas neįjungtas į elektros tinklą. >>> Patikrinkite, ar kištukas gerai įkištas į lizdą.
- Neteisingai nustatyta temperatūra. >>> Pasirinkite tinkamą temperatūros nustatymą.
- Nutrūko elektros tiekimas. >>> Prietaisas toliau veiks kaip įprastai, kai elektros tiekimas atsistatys.

Naudojamas šaldytuvas veikia garsiau.

- Prietaiso veikimas gali skirtis priklausomai nuo aplinkos temperatūros. Tai yra normalu ir nerodo gedimo.

Šaldytuvas veikia per dažnai arba per ilgai.

Trikčių diagnostika

- Nauji produktai gali būti didesni už ankstesnius. Jei produktai yra didesni, šaldytuvas veiks ilgiau.
- Temperatūra patalpoje gali būti per aukšta. >>> Jei kambaryje temperatūra aušta, prietaisas paprastai veikia ilgiau.
- Gali būti, kad prietaisą neseniai įjungėte arba įdėjote naujų maisto produktų. >>> Prietaisui reikia daugiau laiko nustatyti temperatūrai pasiekti, jei jis neseniai įjungtas arba įdėjote naujų produktų. Tai yra normalu.
- Neseniai į prietaisą įdėjote daug karšto maisto. >>> Nedėkite į šaldytuvą karšto maisto.
- Per dažnai atidaromos arba per ilgai laikomos atidarytos prietaiso durelės. >>> Dėl į vidų patekusio šilto oro prietaisas veiks ilgiau. Stenkitės dažnai neatidarinėti prietaiso durelių.
- Šaldytuvo ar šaldiklio durelės gali būti uždarytos nesandariai. >>> Patikrinkite, ar gerai uždarytos visos durelės.
- Gali būti nustatyta per žema temperatūra. >>> Nustatykite aukštesnę temperatūrą, palaukite, kol prietaisas sureaguos ir pasieks ją.
- Gali būti purvina, nusidėvėjusi ar atšokusi šaldytuvo ar šaldiklio durelių tarpinė. >>> Nuvalykite arba pakeiskite tarpinę. Jei tarpinė pažeista ar nuplyšo, prietaisas veiks ilgiau ir dažniau, kad išlaikytų esamą temperatūrą.

Šaldiklio temperatūra labai žema, bet šaldytuvas šaldo gerai.

- Nustatyta labai žema temperatūra šaldiklio kameroje. >>> Padidinkite temperatūros nustatymą šaldikliui ir patikrinkite dar kartą.

Šaldytuve temperatūra labai žema, bet šaldiklis šaldo gerai.

- Nustatyta labai žema temperatūra šaldytuvo kameroje. >>> Padidinkite temperatūros nustatymą šaldikliui ir patikrinkite dar kartą.

Šaldytuvo stalčiuose laikomi produktai užšalo.

- Nustatyta labai žema temperatūra šaldytuvo kameroje. >>> Padidinkite temperatūros nustatymą šaldikliui ir patikrinkite dar kartą.

Per aukšta temperatūra šaldytuve ar šaldiklyje.

- Nustatyta labai aukšta temperatūra šaldytuvo kameroje. >>> Nuo šaldytuvo kameros temperatūros priklauso ir temperatūra šaldiklyje. Pakeiskite šaldytuvo ar šaldiklio kameros temperatūrą, palaukite, kol kameros temperatūra susireguliuos.
- Per dažnai atidaromos arba per ilgai laikomos atidarytos prietaiso durelės. >>> Stenkitės per dažnai neatidarinėti durelių.
- Durelės gali būti uždarytos nesandariai. >>> Tinkamai uždarykite dureles.
- Gali būti, kad prietaisą neseniai įjungėte arba įdėjote naujų maisto produktų. >>> Tai yra normalu. Prietaisui reikia daugiau laiko nustatyti temperatūrai pasiekti, jei jis neseniai įjungtas arba įdėjote naujų produktų.
- Neseniai į prietaisą įdėjote daug karšto maisto. >>> Nedėkite į šaldytuvą karšto maisto.

Prietaisas veikia garsiai arba vibruoja.

Trikčių diagnostika

- Grindys nelygios arba netvirtos. >>> Jei prietaisas vibruoja ar juda, pareguliuokite jo atramas. Patikrinkite, kad grindys būtų pakankamai tvirtos, kad atlaikytų prietaiso svorį.
- Ant prietaiso uždėti daiktai gali kelti triukšmą. >>> Nelaikykite daiktų ant produkto.

Girdisi skysčio bėgimo, purškimo ir kitokie garsai.

- Prietaise veikia skysčio ir dujų kontūrai. >>> Tai yra įprasti veikimo garsai ir nerodo gedimo.

Iš prietaiso sklinda pučiančio vėjo garsas.

- Įsijungė ventiliatorius. Tai yra normalu ir nerodo gedimo.

Ant vidinių sienelių yra kondensato.

- Esant drėgnam ar karštam orui padidėja ledėjimas ir rasojimas. Tai yra normalu ir nerodo gedimo.
- Per dažnai atidaromos arba per ilgai laikomos atidarytos prietaiso durelės. >>> Neatidarykite durelių per dažnai ir greitai jas uždarykite.
- Durelės gali būti uždarytos nesandariai. >>> Tinkamai uždarykite dureles.

Ant prietaiso išorės arba tarp durelių kaupiasi kondensatas.

- Jei aplinkos oras drėgnas, tai yra normalus reiškinys. >>> Sumažėjus aplinkos drėgmei kondensatas išgaruos.

Viduje smirda.

- Prietaisas nėra reguliariai valomas. >>> Išvalykite prietaiso vidų su kempine ir šiltu vandeniu, naudokite vandenį su karbonatu.
- Kvapas gali skliti nuo tam tikrų pakuočių ir talpų >>> Naudokite kvapų neskleidžiančias pakuotes ir talpas.
- Maistas buvo sudėtas ir neuždarytas. >>> Maistą laikykite uždaroje talpose. Iš neuždaryto maisto produktų sklindantys mikroorganizmai gali sukelti blogą kvapą.
- Išimkite sugedusius ar nebegaliojančius produktus.

Durelės neužsidaro.

- Gali būti, kad jas blokuoja maisto pakuotės. >>> Perdėkite tokias pakuotes į kitą vietą.
- Prietaisas nėra visiškai vertikalus. >>> Pareguliuokite prietaiso atramas.
- Grindys nelygios arba netvirtos. >>> Patikrinkite, kad grindys būtų lygios ir atlaikytų prietaiso svorį.

Užstrigo daržovių dėžė.

- Gali būti, kad maisto produktai siekia aukštesnį skyrių. >>> Perdėliokite produktus dėžėje.



ĮSPĖJIMAS: Jei problema išlieka ir peržiūrėjus šio skyriaus nuorodas, kreipkitės į pardavėją ar įgaliotąjį aptarnavimo centrą. Nebandykite taisyti prietaiso patys.



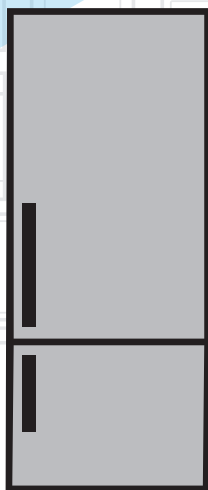
57 5538 0000/AU
3/5
EL-HU-LT



www.beko.com

Refrigerator

User manual



RCNE520E32X
RCNE520E31DW
RCNE520E31DS
RCNE520E31W

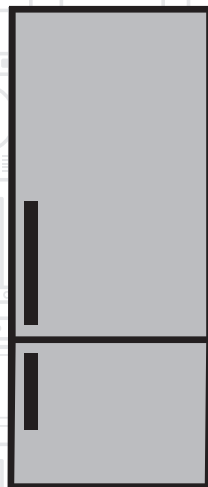
RCNE520E31S
RCNE520K21DS
RCNE520K21DW
RCNE520E41ZX

RCNE520E32DJX
RCNE520E30JGB

FA/BG

beko

یخچال دفترچه راهنمای کاربر



FA |

beko


راهنمای کاربر یخچال

لطفاً قبل از استفاده از دستگاه این دفترچه راهنما را مطالعه کنید!

مشتریان عزیز، ما می خواهیم که شما از محصولاتمان بهترین استفاده را داشته باشید. محصولات ما با دقت و کنترل کیفیت بالایی تولید شده اند. بنابراین توصیه می کنیم کل دفترچه راهنما را قبل از استفاده از محصول بخوانید. اگر محصول را به فرد دیگری می دهید، حتماً این راهنما را نیز همراه با محصول به این فرد بدهید.

این راهنما کمک می کند به سرعت و به صورت ایمن بتوانید از دستگاه استفاده کنید.

- لطفاً قبل از نصب و کارکرد دستگاه، راهنمای کاربر را بخوانید.
 - همیشه به دستورالعمل های ایمنی قابل اجرا دقت کنید.
 - راهنمای کاربر را برای استفاده های بعدی جایی بگذارید که به راحتی قابل دسترسی باشد.
 - هرگونه سند دیگری که همراه با محصول ارائه شده است را بخوانید.
- فراموش نکنید که این راهنمای کاربر ممکن است برای چند مدل کاربرد داشته باشد. در راهنمای کاربر به طور واضح انواع مدل ها ذکر شده است.

اطلاعات مهم و مفید	
خطر مرگ یا آسیب به اموال	
خطر برق گرفتگی	
بسته بندی این دستگاه از جنس مواد قابل بازیافت است که با توجه به قوانین محیطی ملی تهیه شده اند.	

13	5 استفاده از دستگاه	2	فهرست مطالب
13	5.1 دکمه تنظیم دما	1	دستورالعمل های مهم در رابطه با ایمنی و محیط
13	5.2 منجمد کردن سریع	3	
14	5.3 عملکرد تعطیلات	1.1	ایمنی کلی
15	5.4 پانل نشانگر	1.1	1 هشدار HC
17	5.5 پانل نشانگر	1.1	2 برای محصولات دارای پخش کننده آب ...
	5.6 پنکه 20	2.1	موارد استفاده
20	5.7 سینی قطره های آب (اختیاری) 20	1.3	ایمنی کودکان
20	5.8 قسمت صفر درجه (اختیاری) 20	1.4	تبعیت از بیانیه WEEE و دور ریختن ضایعات
	5.9 ظرف یخ 20	7	
20	5.10 نگهدارنده تخم مرغ	1.5	1.5 سازگاری با بیانیه RoHS
21	5.11 طبقه های در متحرک	1.6	اطلاعات بسته بندی
21	5.12 جعبه ذخیره سازی کشویی	2	یخچال
22	5.13 یخ ساز خودکار	3	نصب
	5.14 محفظه سبزیجات همراه با رطوبت کنترل شده 22	3.1	محل مناسب برای نصب
23	5.15 یخ ساز و محفظه نگهداری یخ	3.2	نصب کشوهای پلاستیکی
23	5.16 استفاده از توزیع کننده آب	3.3	تنظیم پایه ها
24	5.17 پر کردن منبع توزیع کننده آب	3.4	اتصال برق
25	5.18 تمیز کردن مخزن	3.5	برعکس کردن درب ها
25	5.19 سینی چکه	3.6	برعکس کردن درب ها
26	5.20 توصیه هایی برای نگهداری غذاهای یخ زده	4	آماده سازی
26	5.21 جزئیات فریزر قوی	4.1	برای صرفه جویی در مصرف انرژی
26	5.22 یخ زدن غذاهای تازه	4.2	ولین استفاده
27	5.23 قرار دادن غذا درون دستگاه		
27	5.24 هشدار باز ماندن درب (اختیاری) 27		
27	5.25 چراغ داخل دستگاه		
27	5.26 تغییر جهت باز شدن در		
28	6 مراقبت و تمیز کردن دستگاه		
28	6.1 جلوگیری از ایجاد بوی بد		
28	6.2 محافظت از سطوح پلاستیکی		
29	6.3 درهای شیشه ای		
30	7 عیب یابی		

این قسمت حاوی دستورالعمل های مهمی است که به شما کمک می کند از خطرهای احتمالی مربوط به بروز جراثحت یا آسیب وارد آمدن به اموال جلوگیری کنید. عدم پیروی از این دستورالعمل ها سبب نقض ضمانت نامه می شود.

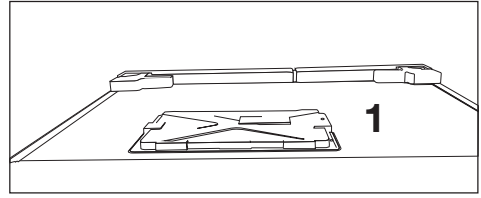
1.1 ایمنی کلی

- کودکان 8 ساله به بالا و افرادی که دارای مشکلات فیزیکی، حسی یا ذهنی هستند و به درستی نمی توانند کارها را انجام دهند یا تجربه و دانش کافی ندارند در صورتی می توانند از دستگاه استفاده کنند که برای استفاده از محصول تحت نظارت و آموزش قرار بگیرند و خطرهای احتمالی آن را نیز بپذیرند. کودکان نباید با دستگاه بازی کنند. تمیز کردن و مراقبت از دستگاه نباید توسط کودکان انجام شود مگر اینکه فردی آنها را تحت نظارت خود قرار دهد.
- در صورت وجود هرگونه سؤال یا مشکلی در ارتباط با این محصول، با مرکز خدمات مجازتان تماس بگیرید. بدون اطلاع خدمات مجاز، از دست کاری دستگاه توسط خودتان یا دیگر افراد خودداری کنید.
- اگر در حین استفاده از دستگاه مشکلی ایجاد شد، دوشاخه دستگاه را از برق جدا کنید.
- اگر دستگاه دچار نقص شد، نباید

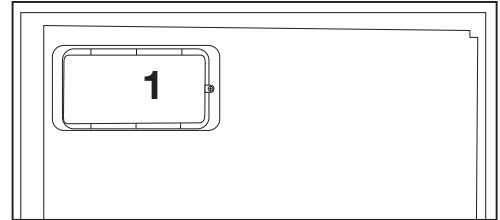
- از آن استفاده کنید مگر اینکه توسط نماینده مجاز تعمیر شود. خطر برق گرفتگی وجود دارد!
- دستگاه را به پریز دیواری متصل کنید که دارای فیوز باشد و با مقادیر مشخص شده در صفحه درجه بندی، مطابقت داشته باشد. نصب زمینی را توسط یک فرد متخصص در امور برق انجام دهید. شرکت ما در قبال هرگونه آسیب ایجاد شده در هنگام استفاده از دستگاه بدون برقراری اتصال زمینی بر اساس قوانین محلی، مسئولیتی نخواهد داشت.
- هنگامی که از دستگاه استفاده نمی کنید، دوشاخه آن را از برق جدا کنید.
- هرگز برای شستن دستگاه، قطعات مختلف آن را باز نکنید و درون آب نیز فرو نبرید! خطر برق گرفتگی وجود دارد!
- از دست زدن به دوشاخه و سوکت با دستان خیس خودداری کنید! برای جدا کردن سیم برق هرگز سیم را نکشید، دوشاخه را بگپرید و بکشید.
- نوک دوشاخه را مرتباً با یک پارچه خشک تمیز کنید، در غیر اینصورت خطر برق گرفتگی وجود دارد.
- اگر قسمت بالا یا پشت محصول دارای برچسب مربوط به مدار الکترونیکی باز داخل دستگاه است (روکش صفحه مدار الکترونیکی چاپ شده) (1)، هرگز از دستگاه استفاده نکنید.

دستتان بچسبد!

- از قرار دادن مایعات درون بطری و شیشه در قسمت فریزر خودداری کنید. ممکن است منفجر شوند!
- هرگز از مواد تمیز کننده دارای بخار یا همراه با بخار برای تمیز کردن یا آب شدن یخ دستگاه استفاده نکنید. ممکن است بخار مدار کوتاه یا برق گرفتگی ایجاد کند زیرا ممکن است با قسمت های الکتریکی دستگاه تماس ایجاد شود!



- برای تسریع مراحل یخ زدایی از دستگاه ای الکتریکی یا سایر وسایل بجز موارد توصیه شده توسط سازنده، استفاده نکنید.



- هرگز از بخش هایی از دستگاه مانند درب یا کشو به عنوان وسیله نگهدارنده یا پله استفاده نکنید. با این کار ممکن است دستگاه وارونه شود و بیفتد یا بخش هایی از آن آسیب ببینند.
- از آسیب وارد آمدن به مدار خنک کننده که مدار یخچال است، با وسایل سوراخ کننده یا برش دهنده، خودداری کنید. هنگامی که کانال های گاز قسمت تبخیر، لوله ها یا محافظ سطوح سوراخ شوند، خنک کننده ممکن است منفجر شود و سبب ایجاد حساسیت ها یا جراحت های شدید در پوست شود.
- از پوشاندن یا مسدود کردن سوراخ های تهویه دستگاه با هر ماده ای خودداری کنید.
- در نوشیدنی ها را کامل ببندید و به

- اگر سوکت دیوار شل است، دوشاخه دستگاه را بیرون نکشید.
- از اتصال دستگاه به سیستم های صرفه جویی در مصرف برق خودداری کنید. چنین سیستم هایی به دستگاه آسیب می رسانند.
- در حین نصب، مراقبت و نگهداری و تمیز کردن و تعمیرات دستگاه، دوشاخه را از برق جدا نکنید.
- از خوردن بستنی و تکه های یخی که بلافاصله از فریزر بیرون آورده اید خودداری کنید! با این کار ممکن است دهانتان یخ بزند!
- از لمس کردن غذاهای یخ زده با دست خودداری کنید! ممکن است



مکانیکی (ترموستات)، هنگامی که دوشاخه را بیرون می کشید یا در هنگام قطعی برق، 5 دقیقه منتظر بمانید و سپس دوباره دوشاخه را به برق وصل کنید.

- در حین جابجایی محصول، مطمئن شوید که کابل آن آسیب ندیده باشد.
- هرگز اجسام سنگین را روی سیم برق قرار ندهید. سیم برق آسیب دیده ممکن است آتش بگیرد.
- از پر کردن بیش از حد دستگاه

خودداری کنید. ممکن است در هنگام باز شدن درب بیفتد و جراحت یا آسیبی ایجاد کند.

مشکلات مشابه زمانی رخ می دهند که محصولاتی را در بالای دستگاه قرار می دهید.

- اگر درب دستگاه دارای دسته باشد، دسته را نکشید حتی زمانی که محل دستگاه را تغییر می دهید. دسته ممکن است شل شود.

- مراقب باشید که دست یا هر بخشی از بدنتان در قسمت های متحرک داخل دستگاه گیر نکند.

صورت عمودی قرار دهید.

- از اسپری های گازی در نزدیکی دستگاه خودداری کنید زیرا خطر انفجار یا آتش سوزی وجود دارد!
- دستورالعمل های مهم در رابطه با ایمنی و محیط

- موارد یا محصولات قابل اشتعال که حاوی گاز های قابل اشتعال هستند (مانند اسپری) و همچنین مواد منفجر شونده را هرگز در این دستگاه نگذارید.

- از قرار دادن محفظه های حاوی مایعات در بالای محصول خودداری کنید. ریختن مایعات بر روی

قطعات برقی ممکن است سبب برق گرفتگی یا بروز آتش سوزی شود.

- از نگهداری موادی مانند واکسن، داروهای حساس به گرما، مواد تحقیقاتی و دیگر موارد که نیازمند کنترل دقیق دما هستند در این دستگاه خودداری کنید.

- اگر برای مدت زمان طولانی از دستگاه استفاده نمی کنید، دوشاخه را از برق جدا کنید و غذا را از درون آن بیرون بیاورید.

- اگر محصول دارای چراغ آبی رنگ است، با ابزارهای دیداری یا چشم غیرمسلح مستقیم به آن نگاه نکنید.

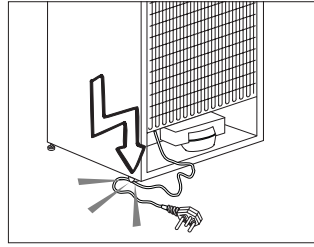
- قرار دادن محصول در برابر بارش باران، برف، تابش نور خورشید یا وزش باد از نظر ایمنی الکتریکی، خطرناک است.

- در محصولات دارای کنترل

1.1.2 برای محصولات دارای پخش کننده آب

- فشار آب سرد ورودی باید حداکثر 90 psi (6.2 بار) باشد. اگر فشار آب بیشتر از 80 psi (5.5 بار) است، از یک سوپاپ محدودکننده فشار در سیستم برق استفاده کنید. اگر نمی دانید چطور فشار آب را بررسی کنید، از یک لوله کش متخصص راهنمایی دریافت کنید.
 - اگر این احتمال وجود دارد که مشکل آبچکش ایجاد شود، همیشه از تجهیزاتی برای جلوگیری از بروز آبچکش استفاده کنید. اگر مطمئن نیستید مشکل آبچکش پیدا می کنید یا خیر، با یک لوله کش متخصص صحبت کنید.
 - ورودی آب گرم نصب نکنید. رای جلوگیری از یخ زدن شیرهای آب، مراقب باشید. دمای آب مورد استفاده باید حداقل 33 درجه فارنهایت (0.6 درجه سانتی گراد) و حداکثر 100 درجه فارنهایت (38 درجه سانتی گراد) باشد.
 - فقط از آب آشامیدنی استفاده کنید.
- ### 1.1.2 موارد استفاده

- این محصول برای موارد مصرف زیر در نظر گرفته شده است:



1.1.1 هشدار HC

- اگر این محصول دارای یک سیستم خنک کننده حاوی گاز R600a است، مراقب باشید که به سیستم خنک کننده و ولوه ها در حین استفاده و جابجایی صدمه ای وارد نشود. این گاز قابل اشتعال است. اگر به سیستم خنک کننده آسیبی وارد شود، دستگاه را از منابع احتمالی که می توانند سبب آتش گرفتن دستگاه شوند دور کنید و اتاقی که دستگاه در آن قرار گرفته است را فوراً خالی کنید.

<p>اگر دستگاه دارای یک سیستم خنک کننده حاوی گاز R134a است. این هشدار را نادیده بگیرید.</p>	
<p>با مراجع به صفحه رتبه بندی موجود در پشت دست سمت چپ آن، از گاز به کار رفته در دستگاه مطلع شوید.</p>	
<p>هشدار: هرگز دستگاه را در آتش نیندازید</p>	

به مراکز بازیافت ببرید. برای اطلاع از این مراکز جمع آوری لطفاً با مقامات محلی تماس بگیرید.

1.5. سازگاری با بیانیه RoHS

این دستگاه از بیانیه EU WEEE Directive (2011/65/EU) تبعیت می کند. این محصول حاوی مواد مضر و منع شده در این بیانیه نیست.

1.6. اطلاعات بسته بندی

بسته بندی مواد این محصول از مواد قابل بازیافت و با توجه به قوانین محیطی ملی ما انجام شده است. از دور انداختن این مواد همراه با زباله های خانگی و دیگر زباله ها خودداری کنید. آنها را به مراکز جمع آوری زباله های خانگی ببرید که از طرف مقامات محلی در نظر گرفته شده اند.

- داخل ساختمان و مکان های سر بسته مانند خانه؛

- محیط های کاری در بسته مانند فروشگاه و اداره؛

- محل های در بسته مانند گلخانه، هتل، پانسیون.

• این محصول را نباید بیرون از خانه مورد استفاده قرار دهید.

• از این محصول فقط برای نگهداری مواد غذایی استفاده کنید.

• هرگونه مسئولیت در قبال استفاده اشتباه یا جابجایی محصول بر عهده خودتان است.

• طول عمر استفاده از این دستگاه 10 سال است. در طول این مدت، فقط از قطعات یدکی اصلی برای دستگاه استفاده کنید.

1.3. ایمنی کودکان

• مواد بسته بندی را از دسترس کودکان دور نگهدارید.

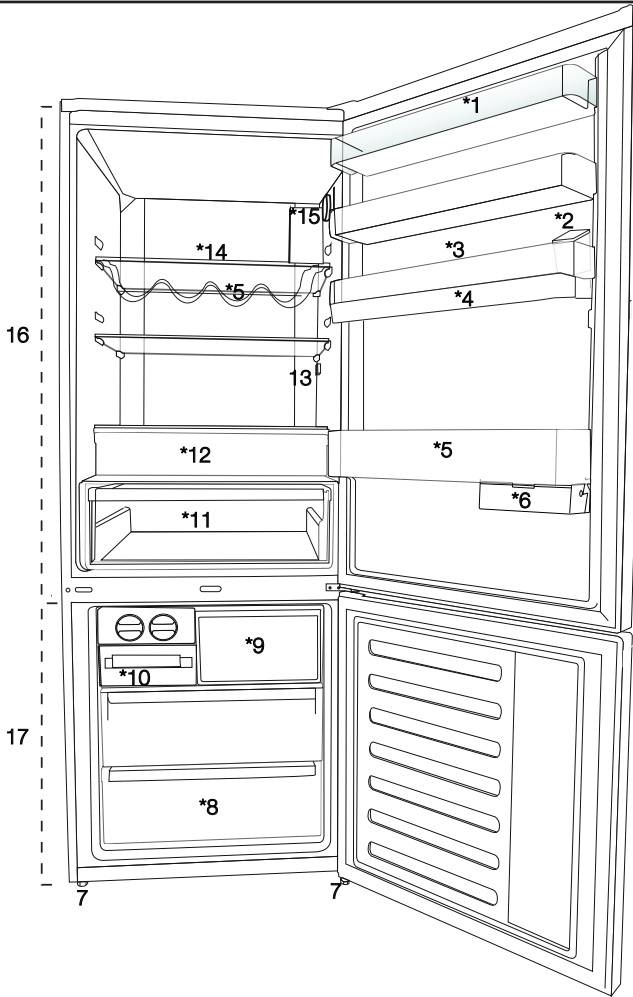
• اجازه ندهید کودکان با دستگاه بازی کنند.

• اگر درب دستگاه قفل دارد، کلید آن را از دسترس کودکان دور نگهدارید.

1.4. تبعیت از بیانیه WEEE و دور ریختن ضایعات

این دستگاه از بیانیه EU WEEE Directive (2012/19/EU) تبعیت می کند. این دستگاه دارای یک نماد گروه بندی برای ضایعات برقی و تجهیزات الکترونیکی (WEEE) است.

این محصول از قطعات و موادی با کیفیت بالا ساخته شده است که می توان مجدد آنها را بازیافت کرد و مورد استفاده قرار داد. در پایان طول عمر مفید دستگاه، از دور انداختن ضایعات محصول در زباله های خانگی و همراه با دیگر زباله ها خودداری کنید. این محصول را برای بازیافت قطعات و قسمت های الکتریکی و برقی



- | | |
|--|---|
| <p>1. طبقه درب محفظه فریزر</p> <p>2. منبع پرشونده توزیع کننده آب</p> <p>3. بخش تخم مرغ</p> <p>4. منبع ذخیره توزیع کننده آب</p> <p>5. طبقه بطری</p> <p>6. یوشکی‌زاسه ریخذهبعج</p> <p>7. پایه های قابل تنظیم</p> <p>8. محفظه فریزر عمیق</p> <p>9. محفظه فریزر عمیق</p> | <p>10. سینی قالب یخ و بانک یخ</p> <p>11. محفظه سبزیجات</p> <p>12. محفظه صفر درجه</p> <p>13. لامپ داخلی</p> <p>14. طبقه شیشه ای محفظه فریزر</p> <p>15. دکمه های تنظیم دما</p> <p>16. طبقه شیشه ای محفظه فریزر</p> <p>17. محفظه فریزر</p> |
|--|---|

*اختیاری: تصاویر موجود در این دفترچه راهنما فقط برای نمایش هستند و ممکن است کاملاً با محصول شما مطابقت نداشته باشند. اگر محصولاتان چنین بخش هایی ندارد، این اطلاعات مربوط به سایر مدل ها است.



3.2. نصب کتوهای پلاستیکی

از کتوهای پلاستیکی ارانه شده به همراه دستگاه استفاده کنید تا فضای کافی برای تهویه هوا بین محصول و دیوار وجود داشته باشد.

3.1 محل مناسب برای نصب

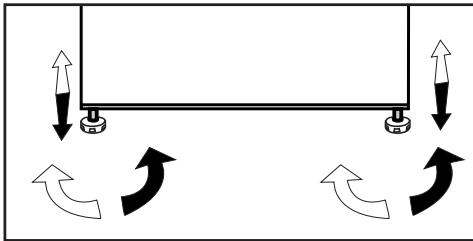
برای نصب محصول با مرکز خدمات مجاز تماس بگیرید. برای آماده سازی دستگاه جهت نصب، به اطلاعات موجود در دفترچه راهنما مراجعه کنید و مطمئن شوید که ابزار برقی و آبی مناسب استفاده شده باشند. در غیر اینصورت با متخصص برق یا لوله کش تماس بگیرید تا آماده سازی های لازم را انجام دهند.

1. برای اتصال کتوها، پیچ های روی دستگاه را بیرون بیاورید و از پیچ های ارانه شده همراه با کتو استفاده کنید.

2. کتوی پلاستیکی را روی روکش تهویه وصل کنید همانطور که در تصویر نشان داده شده است.

3.3 تنظیم پایه ها

اگر دستگاه روی محل متوازی قرار ندارد، پایه های قابل تنظیم جلویی را با چرخاندن به راست یا چپ تنظیم کنید.



	<p>هشدار: سازنده در قبال آسیب ایجاد شده در نتیجه عملکرد افراد غیرمجاز هیچ مسئولیتی را نمی پذیرد.</p>
--	---

	<p>هشدار: سیم برق دستگاه باید در حین نصب از دوشاخه بیرون باشد. عدم انجام این کار ممکن است منجر به مرگ یا جراحت شدید شود!</p>
--	---

	<p>هشدار: اگر درب منزل برای عبور دستگاه خیلی باریک است، در را بردارید و دستگاه را به صورت افقی بخواهید. اگر این حالت کمکی نکرد با مرکز خدمات مجاز تماس بگیرید.</p>
--	---

- برای جلوگیری از لرزش دستگاه آن را روی سطحی صاف بگذارید.
- دستگاه را حداقل 30 سانتی متر از منابع حرارتی، فر و دیگر منابع مشابه حرارتی دور نگهدارید و حداقل بین آن و فر برقی 5 سانتی متر فاصله در نظر بگیرید.
- از قرار دادن محصول در معرض نور خورشید یا نگهداری آن در مکان های مرطوب خودداری کنید.
- برای عملکرد صحیح دستگاه لازم است تهویه هوا مناسب باشد. اگر می خواهید محصول را درون یک تورفتگی قرار دهید، حداقل 5 سانتی متر بین دستگاه و سقف و دیوارها فاصله در نظر بگیرید.
- از قرار دادن دستگاه در محیطی که دمای آن کمتر از 5- درجه سانتی گراد است خودداری کنید.

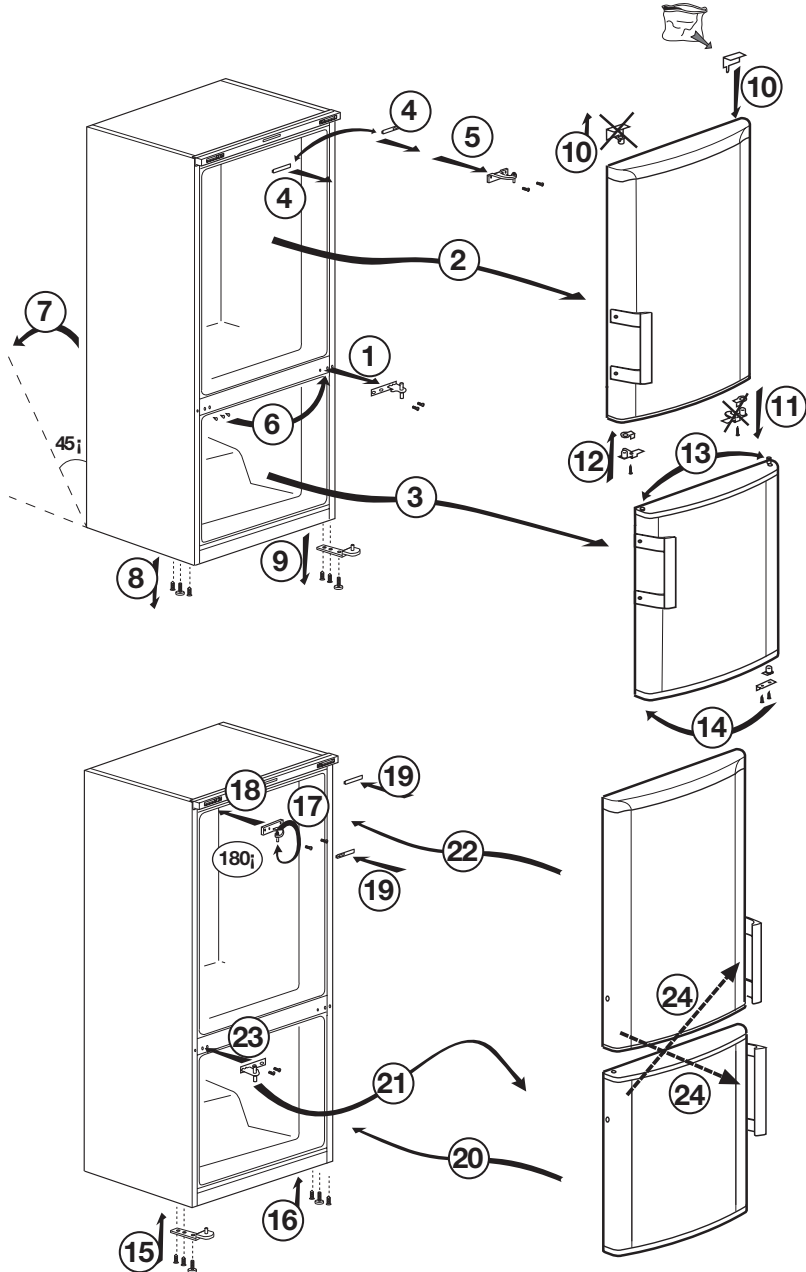
3.4 اتصال برق

	<p>هشدار: از به کار بردن سیم برق یا چندراه در اتصال برق خودداری کنید.</p>
	<p>هشدار: سیم برق آسیب دیده باید توسط خدمات مجاز تعویض شود.</p>
	<p>هنگامی که دو خنک کننده را در کنار یکدیگر قرار می دهید، حداقل 4 سانتی متر بین این دو دستگاه فاصله در نظر بگیرید.</p>

- در صورت بروز آسیب در نتیجه استفاده بدون اتصال به زمین و عدم استفاده از اتصال برق مطابق با قوانین ملی، کارخانه ما هیچ مسئولیتی را نمی پذیرد.
- دوشاخه کابل برق باید بعد از نصب به راحتی قابل دسترسی باشد.
- یخچال را به یک پریز متصل به زمین با ولتاژ 220 تا 240 ولت و 50 هرتز متصل کنید. دوشاخه باید فیوز 10 تا 16 آمپر داشته باشد.
- از به کار بردن چندراه بین پریز برق و دوشاخه یخچال خودداری کنید.

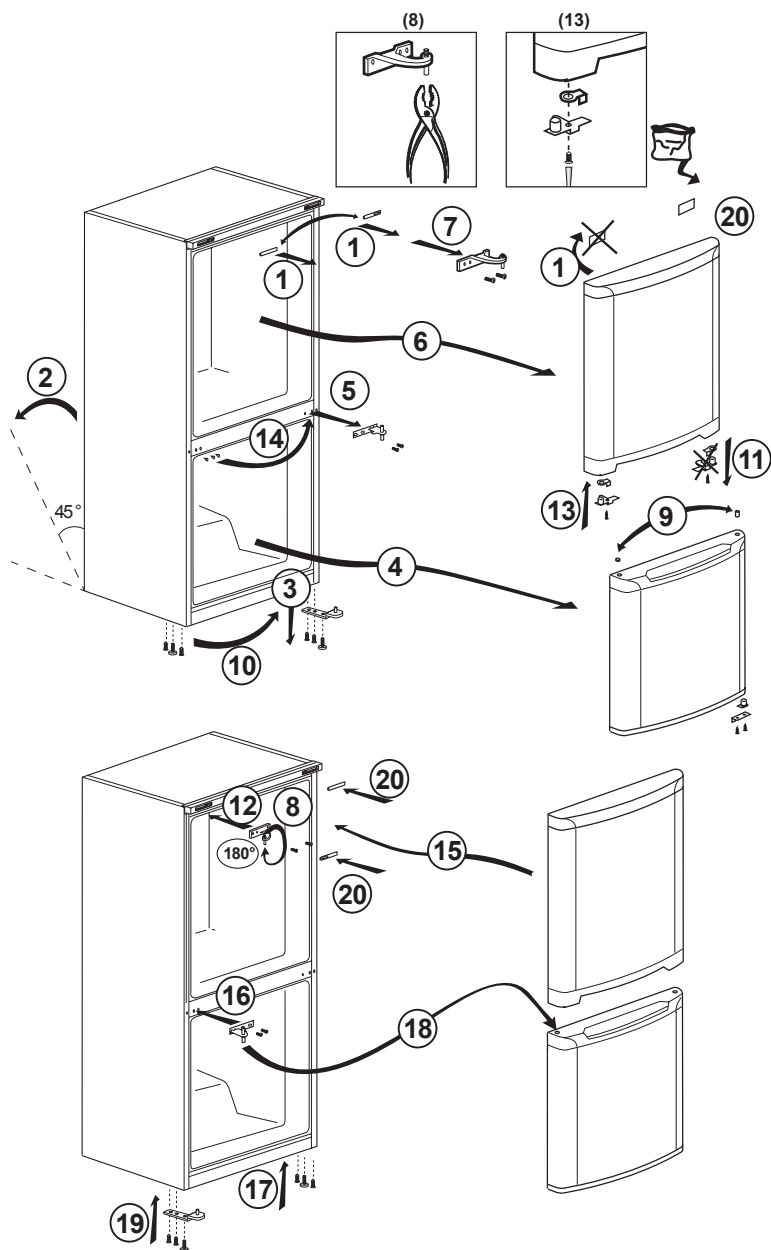
3.5 برعکس کردن درب ها

با شماره های دستور العمل پیش بروید .



3.6 برعکس کردن درب ها

با شماره های دستورالعمل پیش بروید .



4.1. برای صرفه جویی در مصرف انرژی

اتصال دستگاه به سیستم های صرفه جویی در مصرف برق ممکن است خطرناک باشند زیرا به محصول آسیب وارد می کنند.



- درب های یخچال را برای مدت زمان طولانی باز نگذارید.
- از قرار دادن غذا یا نوشیدنی ها درون یخچال خودداری کنید.
- از پر کردن بیش از حد یخچال و مسدود کردن جریان هوای داخلی خودداری کنید این کار سبب کم شدن توانایی دستگاه در خنک کردن می شود.
- مقادیر مصرف انرژی مشخص شده برای یخچال در حالتی اندازه گیری شده است که قفسه بالایی قسمت فریزر، سایر قفسه ها و کشوهای پایینی در جای خود باشند و حداکثر حجم ممکن درون دستگاه باشد. بسته به شکل و اندازه مواد غذایی یخ زده، قفسه شیشه ای بالایی را می توانید مورد استفاده قرار دهید.
- بسته به ویژگی های دستگاه، باز شدن یخ مواد یخ زده در قسمت خنک کننده سبب صرفه جویی در انرژی شده و کیفیت غذا را نیز حفظ می کند.
- سبدها/کشوهای ارائه شده همراه با قسمت بسیار خنک باید همیشه استفاده شوند تا در مصرف انرژی صرفه جویی شده و شرایط نگهداری بهتری نیز ایجاد شود.
- تماس مواد غذایی با حسگر دما در قسمت فریزر سبب افزایش میزان مصرف برق دستگاه می شود. بنابراین نباید تماسی با حسگرها ایجاد شود.
- بررسی کنید غذاها با حسگر دمای قسمت خنک کننده که در بالا توصیف شد تماسی نداشته باشند.

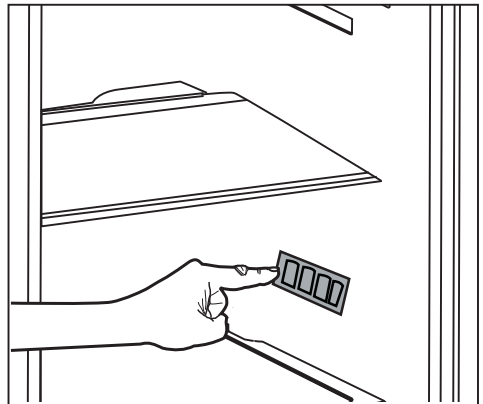
4.2. ولین استفاده

قبل از استفاده از یخچال مطمئن شوید که آماده سازی های لازم با توجه به دستورالعمل های موجود در قسمت "دستورالعمل های ایمنی و حفظ محیط" و "تص" انجام شده باشد.

- به مدت 6 ساعت بدون اینکه مواد غذایی درون دستگاه بگذارید اجازه بدهید دستگاه کار کند مگر اینکه کاملاً لازم باشد چیزی درون دستگاه بگذارید.

<p>هنگامی که کمپرسور کار کند صدایی می شنوید. حتی زمانی که کمپرسور غیرفعال است طبیعی است که صدایی شنیده شود زیرا امیعات و گازهای موجود در سیستم خنک کننده فشرده هستند.</p>	
<p>طبیعی است که کناره های یخچال گرم باشند این قسمت ها به گونه ای طراحی شده اند تا برای جلوگیری از ایجاد میعان گرم شوند.</p>	

<p>«در بعضی از مدل ها بعد از بسته شدن درب، صفحه دستگاه به صورت خودکار 5 دقیقه خاموش می شود.. با باز کردن مجدد دستگاه یا فشردن هر کدام از کلیدها، دوباره فعال می شود.</p>	
--	--



5.1 دکمه تنظیم دما

دکمه‌ی مریب‌تر ریز ل‌بلاد می‌باشد ل‌اچخیل‌خاد ت‌ر‌ار‌د‌م‌ج‌ر‌د

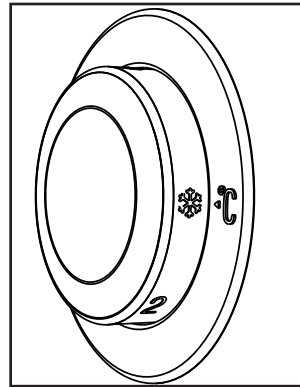
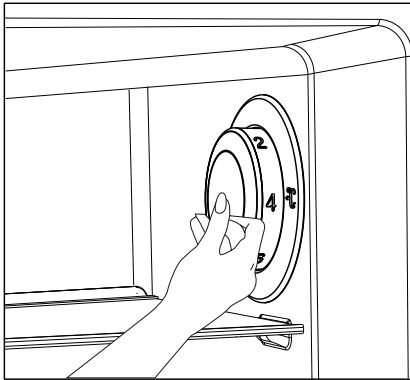
- درجه حرارت های فصلی،
- باز کردن مکرر در و باز گذاشتن آن برای مدت طولانی،
- غذا بدون سرد شدن تا درجه حرارت اتاق در یخچال قرار داده شده است،
- محل یخچال در اتاق (مثلا زیر نور آفتاب بودن).
- درجه حرارت تغییر یافته به دلیل این عوامل را می توان به وسیله دکمه تنظیم، تنظیم کرد.

اعداد دور دکمه تنظیم درجه حرارت را بر حسب "C°" نشان می دهند.

اگر دمای محیط 20°C باشد، توصیه می شود که درجه حرارت یخچال در 4°C تنظیم گردد. در دماهای محیط دیگر، این مقدار می تواند تغییر کند.

5.2 منجمد کردن سریع

اگر می خواهید حجم زیادی از مواد غذایی تازه را فریز کنید، دکمه تنظیم دما را قبل از گذاشتن مواد غذایی در محفظه انجماد سریع در موقعیت (❄️) قرار دهید. توصیه می‌گردد کلید را حداقل به مدت 24 ساعت به منظور فریز کردن حداکثر مقدار غذا که به اندازه ظرفیت انجماد اعلام شده دستگاه است، در این موقعیت نگه دارید. توجه ویژه کنید که غذا های مخصوص فریز و غذاهای تازه را به هم نیامیزید. به یاد داشته باشید که دکمه تنظیم دما را به وضعیت سابق آن بر گردانید.

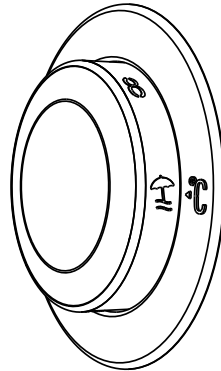


*اختیاری: تصاویر موجود در این دفترچه راهنما به عنوان پیش نویس درج شده اند و ممکن است به درستی منطبق با دستگاه شما نباشند. اگر محصولاتن چنین بخش هایی ندارد، این اطلاعات مربوط به سایر مدل ها است.

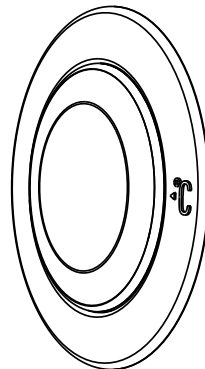


5.3 عملکرد تعطیلات

اگر درب های محصول 12 ساعت پس از تنظیم دکمه تنظیم دما بر روی حد اکثر باز نشود، عملکرد تعطیلات به طور خودکار فعال می شود. برای لغو این عملکرد باید تنظیمات دکمه تغییر کند. توصیه نمی شود که مواد غذایی هنگامی که عملکرد تعطیلات فعال است در محفظه خنک کننده نگهداری شوند.

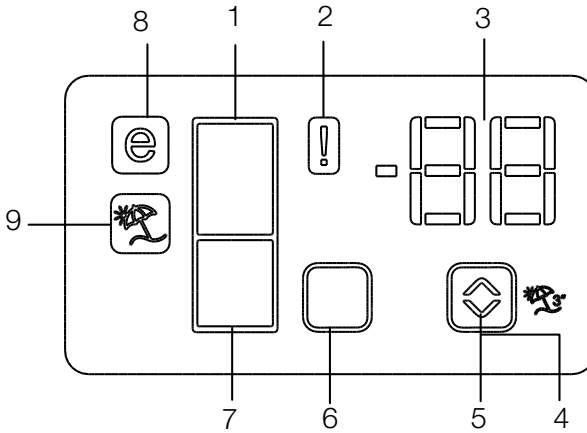


- پس از اتمام تنظیمات، شما می توانید دکمه تنظیم دما را با فشار آن به داخل پنهان کنید.



5.4 پانل نشانگر

پانل های نشانگر بر حسب مدل دستگاه ممکن است متفاوت باشند. عمکردهای صوتی-تصویری موجود بر روی پانل نشانگر به شما در استفاده از محصولاتان کمک می کنند.



1. نشانگر محفظه یخچال
2. نشانگر وضعیت خطا
3. نشانگر درجه حرارت
4. دکمه عملکرد زمان تعطیلات
5. دکمه تنظیم دما
6. دکمه انتخاب محفظه
7. نشانگر محفظه فریزر
8. نشانگر حالت اقتصادی
9. نشانگر عملکرد تعطیلات

*اختیاری

*اختیاری: تصاویر موجود در این دفترچه راهنما به عنوان پیش نویس درج شده اند و ممکن است به درستی منطبق با دستگاه شما نباشند. اگر محصولاتان چنین بخش هایی ندارد، این اطلاعات مربوط به سایر مدل ها است.



1. نشانگر محفظه یخچال

چراغ بخش یخچال هنگام تنظیم درجه حرارت محفظه یخچال روشن می شود.

2. نشانگر وضعیت خطا

در صورتی که یخچال شما به اندازه کافی سرد نکند و یا در صورت نقص حسگر، این نشانگر فعال می شود. زمانی که این نشانگر فعال است، نشانگر محفظه فریزر علامت "E" را نشان می دهد و نشانگر دمای محفظه یخچال شماره های 1، 2، 3، ... را نشان می دهد. این اعداد روی نشانگر، اطلاعاتی در مورد خطایی که رخ داده است را به پرسنل سرویس ارائه خواهد نمود.

3. نشانگر درجه حرارت

نشانگر دمای محفظه فریزر و یخچال

4. دکمه عملکرد زمان تعطیلات

دکمه تعطیلات را برای 3 ثانیه فشار دهید تا این عملکرد فعال گردد. هنگامی که عملکرد تعطیلات فعال باشد، " - " روی نشانگر درجه حرارت محفظه یخچال ظاهر می شود و عمل خنک کردن فعالی در محفظه یخچال انجام نمی شود. هنگام فعال بودن این عملکرد نگاه داشتن غذا در محفظه یخچال درست نیست. محفظه های دیگر با توجه به درجه حرارت تنظیم شده خود خنک می شوند.
برای لغو این عملکرد، دکمه **Vacation** (تعطیلات) را دوباره فشار دهید.

5. دکمه تنظیم دما

درجه حرارت مربوط به هر محفظه را بین $18^{\circ}\text{C} \dots -24^{\circ}\text{C}$ و $1^{\circ}\text{C} \dots 8^{\circ}\text{C}$ تغییر می دهد.

6. دکمه انتخاب محفظه

دکمه انتخاب: دکمه انتخاب محفظه را به منظور انتخاب بین محفظه یخچال و فریزر فشار دهید.

7. نشانگر محفظه فریزر

چراغ بخش یخچال هنگام تنظیم درجه حرارت محفظه یخچال روشن می شود.

8. نشانگر حالت اقتصادی

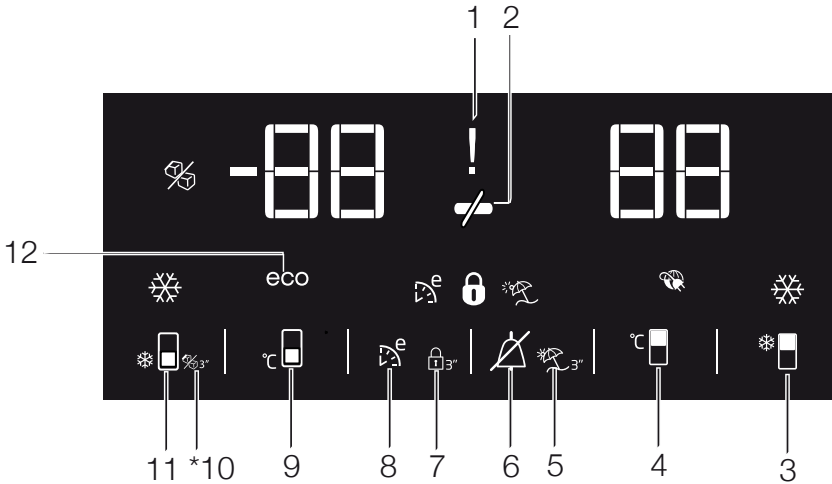
نشانگر این است که یخچال در حالت صرفه جویی در انرژی کار می کند. نشانگر استفاده اقتصادی هنگامی که محفظه فریزر روی -18 درجه سانتی گراد تنظیم شده باشد روشن می شود.

9. نشانگر عملکرد تعطیلات

نشانگر فعال شدن عملکرد تعطیلات است.

5.5 پانل نشانگر

پانل نشانگر به شما اجازه می دهد درجه حرارت را تنظیم و سایر عملکردهای مربوط به دستگاه را بدون باز کردن درب یخچال کنترل کنید. برای تنظیمات عملکرد، فقط نوشته های روی دکمه های مربوطه را فشار دهید.



1. قطع برق/درجه حرارت بالا/نشانگر هشدار خطا

این چراغ (⚡) در موقع قطع برق، نقص های دمای بالا یا هشدار خطا روشن می شود. در طی قطع برق طولانی، بالاترین دمای محفظه یخچال بر روی نمایشگر دیجیتال چشمک می زند. بعد از بررسی غذای گذاشته شده در محفظه فریزر (❄️)، دکمه خاموش هشدار را فشار دهید تا هشدار قطع شود.

در صورت مشاهده روشن بودن این نشانگر، به قسمت «راه حل های توصیه شده برای عیب یابی» در دفترچه راهنمای خود مراجعه کنید.

2. عملکرد صرفه جویی در مصرف انرژی (صفحه نمایش خاموش):

اگر در های محصول برای مدت طولانی بسته بماند عملکرد صرفه جویی در انرژی به طور خودکاری فعال می شود و علامت صرفه جویی در انرژی روشن می شود. (❄️)



وقتی که عملکرد صرفه جویی در انرژی فعال می شود، همه علامت ها در نمایشگر به غیر از علامت صرفه جویی در انرژی خاموش می شوند. وقتی که عملکرد صرفه جویی در انرژی فعال می شود، اگر هر دکمه ای فشرده یا در باز شود، عملکرد صرفه جویی در انرژی لغو شده و علامت های روی نمایشگر به حالت معمولی برمی گردند.

عملکرد صرفه جویی در انرژی در طی حمل از کارخانه فعال می شود و نمی تواند لغو شود.

*اختیاری: تصاویر موجود در این دفترچه راهنما به عنوان پیش نویس درج شده اند و ممکن است به درستی منطبق با دستگاه شما نباشند. اگر محصولاتان چنین بخش هایی ندارد، این اطلاعات مربوط به سایر مدل ها است.




5. عملکرد تعطیلات

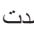
برای فعال کردن عملکرد تعطیلات، این دکمه () را به مدت 3 ثانیه فشار دهید تا نشانگر حالت تعطیلات () فعال شود. هنگامی که عملکرد تعطیلات فعال باشد، " - " روی نشانگر درجه حرارت محفظه یخچال ظاهر می شود و عمل خنک کردن فعالی در محفظه یخچال انجام نمی شود. هنگام فعال بودن این عملکرد نگاه داشتن غذا در محفظه یخچال درست نیست. محفظه های دیگر با توجه به درجه حرارت تنظیم شده خود خنک می شوند.


برای لغو این عملکرد، دکمه **عملکرد تعطیلات** را مجدداً فشار دهید.


6. هشدار آلارم خاموش:

در صورت قطع برق/آلارم دمای بالا، پس از بررسی غذای گذاشته شده در محفظه فریزر، دکمه آلارم خاموش را () برای پاک کردن هشدار فشار دهید

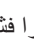
7. قفل کلید

دکمه قفل کلید () را به صورت همزمان به مدت 3 ثانیه فشار دهید. علامت قفل کلید

() روشن و حالت قفل کلید فعال می شود. هنگام فعال بودن حالت قفل کلید، دکمه ها کار نمی کنند. مجدداً دکمه قفل کلید را به صورت همزمان به مدت 3 ثانیه فشار دهید. آیکون قفل کلید خاموش و حالت قفل کلید غیر فعال خواهد شد.


در صورتی که بخواهید از تغییر تنظیمات درجه حرارت یخچال جلوگیری کنید ()، دکمه **قفل کلید** را فشار دهید.


8. اکو فازی (استفاده اقتصادی ویژه)


دکمه اکو فازی را فشار داده و به مدت 1 ثانیه نگه دارید تا عملکرد اکو فازی فعال شود. یخچال حداقل 6 ساعت دیگر در اقتصادی ترین حالت بکار خواهد افتاد و نشانگر استفاده اقتصادی هنگامی که عملکرد فعال باشد روشن خواهد شد (). دکمه اکو فازی را فشار داده و به مدت 3 ثانیه نگه دارید تا عملکرد اکوفازی غیرفعال شود.


این نشانگر پس از 6 ساعت، یعنی زمانی که اکو فازی فعال شود روشن می شود.


3. عملکرد خنک کردن سریع

این دکمه دارای دو عملکرد است. برای فعال یا غیرفعال کردن عملکرد خنک کردن سریع این دکمه را برای مدت کوتاه فشار دهید. نشانگر خنک کردن سریع خاموش می شود و دستگاه به تنظیمات عادی خود باز می گردد. ()

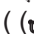
	<p>هنگامی که قصد دارید به سرعت غذاهای قرارگرفته در محفظه یخچال را خنک کنید از عملکرد سرد کردن سریع استفاده کنید. اگر بخواهید مقدار زیادی از مواد غذایی تازه را خنک کنید، این عملکرد را قبل از قراردادن غذا در یخچال فعال کنید.</p>
---	--

	<p>اگر آن را لغو نکنید، سرد کردن سریع بعد از 8 ساعت یا هنگامی که محفظه یخچال به درجه حرارت مورد نظر رسید، به طور خودکار لغو می شود.</p>
---	---

	<p>اگر دکمه سرد کردن سریع را پشت سر هم و در فواصل کوتاه فشار دهید، حفاظت مدار الکترونیکی فعال می شود و کمپرسور فوراً به کار نخواهد افتاد.</p>
---	---

	<p>این عملکرد هنگامی که برق دستگاه بعد از قطع برق مجدداً وصل شود مجدداً شروع به کار خواهد کرد.</p>
---	--

4. دکمه تنظیم درجه حرارت محفظه یخچال

این دکمه را برای تنظیم درجه حرارت محفظه یخچال به ترتیب در درجه حرارت های 8، 7، 6، 5، 4، 3، 2، 8، ... فشار دهید. برای تنظیم دمای محفظه یخچال به میزان دلخواه، این دکمه را فشار دهید. ()

12. نشانگر استفاده اقتصادی

این نشانگر نشان می دهد که دستگاه در حالت مصرف بهینه انرژی کار می کند. (eco) این نشانگر در صورتی فعال خواهد بود که درجه حرارت بخش فریزر روی -18 تنظیم شده باشد یا روی خنک کنندگی با صرفه جویی در انرژی به خاطر عملکرد اکو اکسترا تنظیم شده باشد.



نشانگر استفاده اقتصادی هنگام انتخاب عملکردهای سرد کردن سریع یا فریز سریع خاموش می شود.

9. دکمه تنظیم دمای محفظه فریزر

این دکمه را به ترتیب برای تنظیم درجه حرارت محفظه فریزر در درجه حرارت های -18، -19، -20، -21، -22، -23، -24، -18 و ... فشار دهید. این دکمه را فشار دهید تا درجه حرارت محفظه فریزر را روی درجه حرارت دلخواه تنظیم کنید. (❄️)

10. نشانگر خاموش بودن یخ ساز

نشانگر روشن یا خاموش بودن یخ ساز است. (❄️) اگر روشن باشد، یخ ساز فعال نیست. برای فعال کردن مجدد یخ ساز، دکمه خاموش کردن هشدار را به مدت 3 ثانیه فشار دهید.



جریان آب از مخزن آب هنگامی که این عملکرد انتخاب شود متوقف می گردد. با این وجود، یخی که قبلاً ساخته شده است را می توان از یخ ساز دریافت کرد.

11. دکمه عملکرد فریز سریع/دکمه روشن-خاموش

یخ ساز

برای فعال یا غیرفعال شدن عملکرد فریز سریع این دکمه را فشار دهید. هنگامی که این عملکرد فعال باشد، محفظه فریزر پایین تر از دمای تنظیم شده سرد خواهد شد. (❄️)

برای روشن و خاموش کردن یخ ساز دکمه آن را فشار داده و به مدت 3 ثانیه نگه دارید.



هنگامی که قصد دارید به سرعت غذاهای قرارگرفته در محفظه یخچال را فریز کنید از عملکرد فریز کردن سریع استفاده کنید. اگر بخواهید مقدار زیادی از مواد غذایی تازه را فریز کنید، این عملکرد را قبل از قراردادن غذا در یخچال فعال کنید.



اگر آن را لغو نکنید، سرد کردن سریع بعد از 4 ساعت یا هنگامی که محفظه یخچال به درجه حرارت مورد نظر رسید، به طور خودکار لغو می شود.

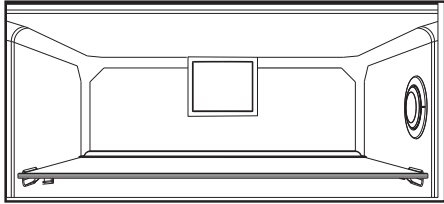


این عملکرد هنگامی که برق دستگاه بعد از قطع برق مجدداً وصل شود مجدداً شروع به کار نخواهد کرد.

5.6 مکپ

تخاونکی روط به درس ی او ه ش خرچ و عیزو ت ی ا ر ب مکپ
مکپ تا یلمء نامز ،تسا هدش ی حارط امشل اچخیل خاد
تفاوتم امشل و صحم تا یصوصخ سا سا ر ب تسا نکم
دشاب.

هارمه طقف مکپ تلاوصحم ی ضعب رد مک ی لاح رد
ر ب لرتنگ مٲسسب ،رگید ی ضعب رد ،دنگ ی م راک روسرپمک
صخشم ار ن درک راک نامز ،ن دش کنخ به زاینه سا سا
دنگ ی م.



5.7 سینی قطره های آب (اختیاری)

آبی که از شیر چکیده می شود در این سینی جمع می
شود. محلی برای تخلیه آب وجود ندارد. سینی ته مانده
آب را بکشید یا روی لبه ها فشار دهید تا سینی خارج
شود. سپس می توانید آب داخلی سینی را خارج کنید.

5.8 قسمت صفر درجه (اختیاری)

از این قسمت استفاده کنید تا طراوت مواد با دمایی
کم حفظ شود، همچنین برای محصولات گوشتی که
می خواهید فوراً از آنها استفاده کنید. از قرار دادن
سبزیجات و میوه ها در این قسمت خودداری کنید. با
جدا کردن قسمت های صفر درجه می توانید حجم ذخیره
سازی دخلی دستگاه را گسترش دهید. برای بیرون
آوردن این قسمت، کافی است آن را جلو، بالا و سپس
دوباره به بیرون بکشید.

5.9 ظرف یخ

اختیاری*

- ظرف یخ را از محفظه فریزر بردارید.
- ظرف یخ را با آب پر کنید.
- ظرف یخ را در محفظه فریزر بگذارید.
- یخ حدود دو ساعت بعد آماده خواهد شد. ظرف
یخ را از محفظه فریزر بردارید و کمی بر روی ظرف
مد نظرتان خم کنید. یخ به راحتی داخل ظرف می
ریزد.

5.10 نگهدارنده تخم مرغ

شما می توانید نگهدارنده تخم مرغ را بر روی در و یا
طبقه های بدنه مد نظرتان قرار دهید. اگر تصمیم گرفتید
که نگهدارنده تخم مرغ را بر روی طبقه های بدنه قرار
دهید، توصیه می شود که قفسه های پایین به دلیل سردتر
بودن انتخاب شوند.

نگهدارنده تخم مرغ را داخل محفظه فریزر
قرار ندهید.



5.11 طبقه های در متحرک

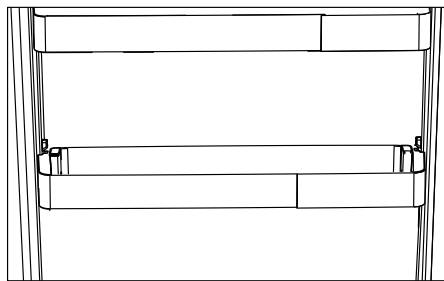
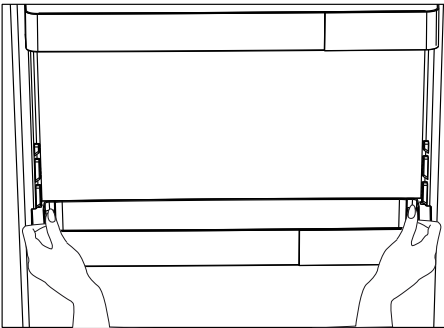
*اختیاری

طبقه های در متحرک در سه موقعیت می توانند ثابت شوند.

به منظور حرکت دادن طبقه، دکمه های موجود در گوشه را به طور یکسان فشار دهید. طبقه جا به جا می شود.

طبقه را بالا یا پایین ببرید.

وقتی طبقه درست در موقعیت دلخواه شما قرار گرفت، دکمه ها را رها کنید. طبقه در موقعیتی که شما دکمه ها را رها کردید ثابت می شود.

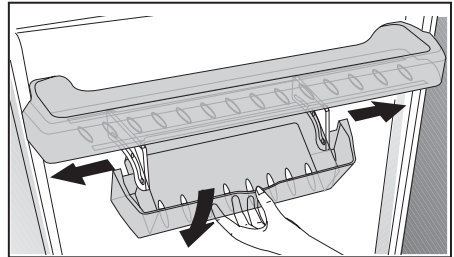


5.12 جعبه ذخیره سازی کشویی

*اختیاری

این وسیله برای افزایش حجم استفاده از قفسه های در طراحی شده است.

این جعبه به یمن قابلیت حرکت از پهلو، شما را قادر می سازد بطری، کوزه و جعبه های دراز را در قفسه بطری زیرین قرار دهید.



5.13 یخ ساز خودکار

*اختیاری

یخ ساز خودکار امکان درست کردن آسان یخ داخل یخچال را برای شما فراهم می سازد. به منظور گرفتن یخ از یخ ساز، مخزن آب در بخش یخچال را بیرون بیاورید، آن را با آب پر کنید و در جای خود قرار دهید.

اولین یخ پس از تقریباً 2 ساعت در کشوی یخ ساز در محفظه یخچال آماده خواهد شد.

پس از قرار دادن مخزن آب پر، شما تا زمانی که خالی شود می توانید 60-70 قطعه یخ به دست بیاورید.

اگر آب موجود در مخزن برای 2-3 هفته باقی مانده است، باید عوض شود.

در محصولاتی که یخ ساز خودکار دارند شما ممکن است صدای ریختن یخ ها را بشنوید. این صدا عادی است و عیب دستگاه محسوب نمی شود.



5.14 محفظه سبزیجات همراه با رطوبت کنترل شده

*اختیاری

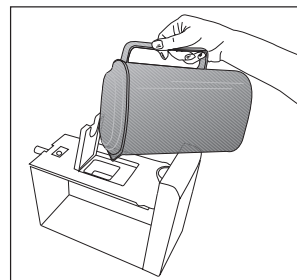
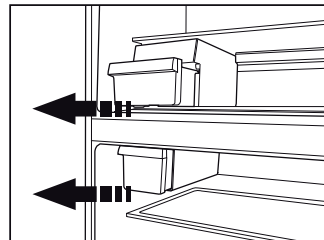
با ویژگی کنترل رطوبت، میزان رطوبت سبزیجات و میوه ها تحت کنترل قرار گرفته تا زمان طولانی تری تازه باقی بمانند.

توصیه می شود که سبزیجات برگ دار مانند کاهو و اسفناج و شبیه آنها که رطوبت خود را از دست می دهند را تا حد ممکن به صورت افقی و نه بر روی ریشه خود داخل محفظه سبزیجات قرار دهید.

در هنگام جاسازی سبزیجات، با در نظر گرفتن وزن آنها، سبزیجات سخت و سنگین را در پایین و سبزیجات سبک و نرم را در بالا قرار دهید.



سبزیجات را داخل کیسه های پلاستیکی در محفظه سبزیجات قرار ندهید. قرار دادن سبزیجات در کیسه های پلاستیکی باعث می شود که در زمان کوتاهی فاسد شوند. در شرایطی که تماس بین سبزیجات دلخواه نیست، از مواد بسته بندی چون کاغذ که از نظر بهداشتی دارای منافذی هستند استفاده کنید.

میوه هایی که گاز اتیلن زیادی تولید می کنند مانند گلابی، زرد آلو، هلو و به خصوص سیب را در همان محفظه ای که سایر سبزیجات و میوه ها هستند، قرار ندهید گاز اتیلن متصاعد شده از این میوه ها باعث می شود که سایر سبزیجات و میوه ها سریعتر برسند و در مدت زمان کوتاه تری فاسد شوند.




5.16 استفاده از توزیع کننده آب

*اختیاری

<p>گرم بودن چند لیوان اول آب دستگاه توزیع کننده عادی است.</p>	
<p>اگر توزیع کننده آب برای مدت طولانی مورد استفاده قرار ننگرفته است، چند لیوان آب اول را دور بریزید تا آب تازه به دست آورید.</p>	

اهرم توزیع کننده آب را با لیوان فشار دهید. اگر از یک فنجان پلاستیکی نرم استفاده می کنید، فشار دادن اهرم با دست آسان تر خواهد بود. 2. پس از پر کردن لیوان به میزان دلخواه، اهرم را رها کنید.

<p>لطفا توجه کنید، مقدار جریان آب از توزیع کننده بستگی به میزان فشار اهرم دارد. همانطوریکه سطح آب در فنجان / لیوان شما بالا می رود، به آرامی مقدار فشار بر اهرم را برای جلوگیری از سرریز شدن آب کم کنید. اگر اندکی اهرم را فشار دهید، آب چکه خواهد کرد؛ این مسئله عادی است و عیب دستگاه محسوب نمی شود.</p>	
--	--

5.15 یخ ساز و محفظه نگهداری یخ

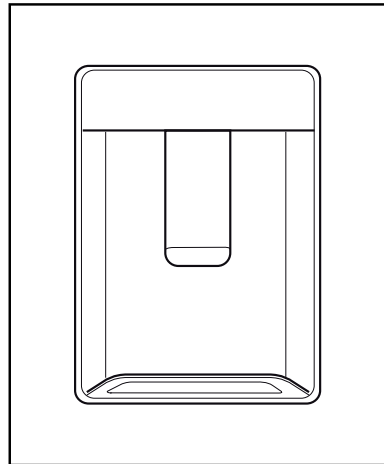
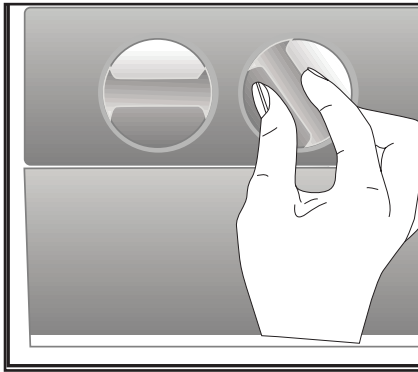
*اختیاری

استفاده از یخ ساز

یخ ساز را از آب پر کرده و در محل مربوطه قرار دهید. یخ شما حدود دو ساعت بعد آماده خواهد شد. یخ ساز را برای برداشتن یخ از جایش خارج نکنید. دکمه های موجود بر روی منبع یخ را در جهت حرکت عقربه های ساعت 90 درجه بچرخانید. قالب های یخ داخل ظرف یخ زیر خواهند افتاد. شما می توانید ظرف یخ را خارج و یخ تولید شده را مصرف نمایید. اگر بخواهید می توانید قالب های یخ را در ظرف یخ نگه دارید.

ظرف نگهداری یخ

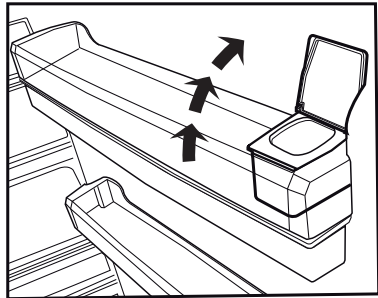
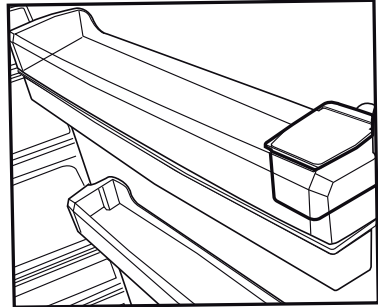
محفظه نگهداری یخ فقط برای جمع کردن قالبهای یخ طراحی شده است. داخل آن آب نریزید. در غیر این صورت می شکند.



5.17 پر کردن منبع توزیع کننده آب

محل پر کردن مخزن آب در داخل قفسه در قرار دارد.

1. درپوش مخزن آب را بردارید.
2. مخزن را با آب آشامیدنی تازه پر کنید.
3. درپوش را ببندید.



• مخزن آب را با مایعاتی دیگر غیر از آب مانند آب میوه، نوشابه های گاز دارد یا نوشیدنیهای الکلی که برای استفاده در توزیع کننده آب مناسب نیستند پر نکنید. توزیع کننده آب در صورتی که از این مایعات استفاده شود به طور جبران ناپذیر صدمه خواهد دید. ضمانت چنین مواردی را پوشش نخواهد داد. برخی از مواد شیمیایی و مواد افزودنی در این نوع نوشیدنیها/مایعات ممکن است به مخزن آب آسیب برساند.



فقط از آب نوشیدنی تمیز استفاده کنید.

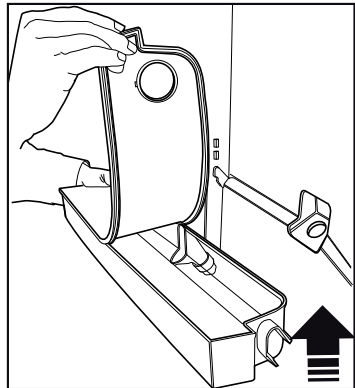
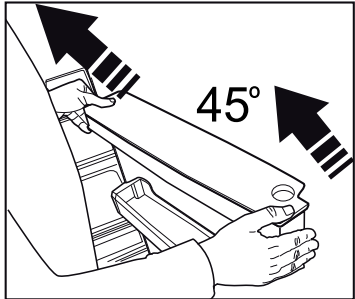
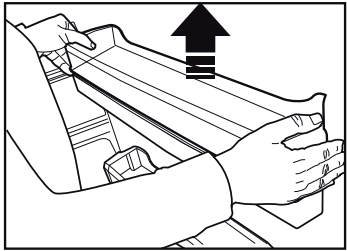
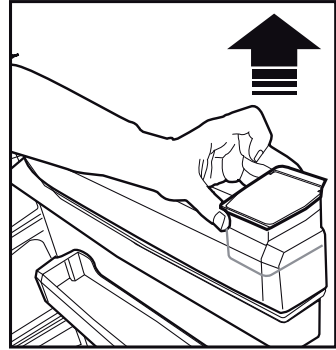


ظرفیت مخزن آب 3 لیتر می باشد؛ بیش از حد در آن آب نریزید.



5.18 تمیز کردن مخزن

1. مخزن آب داخل قفسه در را بردارید.
2. قفسه در را با نگاه داشتن از هر دو طرف جدا کنید.
3. مخزن آب را از هر دو طرف بگیرید و آن را با زاویه 45 درجه جدا کنید.
4. درپوش مخزن آب را بردارید و مخزن را تمیز کنید.

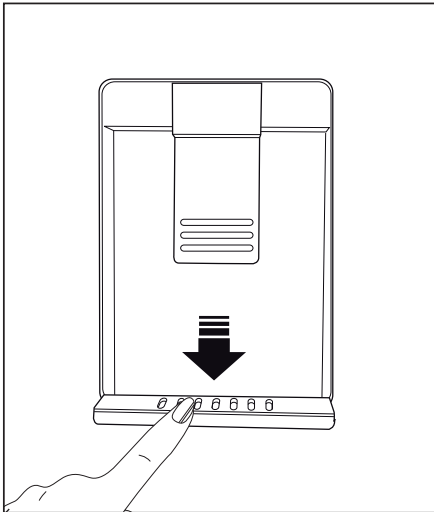


قطعات منبع آب و توزیع کننده آب را نباید در ماشین ظرف شویی شست.



5.19 سینی چکه

- وقتی که آب به هنگام استفاده از توزیع کننده آب چکه میکند در سینی نشستی جمع میشود. فیلتر پلاستیکی را به صورتی که در تصویر نشان داده شده است، بیرون بکشید. با یک پارچه تمیز و خشک آبی که جمع آوری شده است را بردارید.



5.22 یخ زدن غذاهای تازه

- برای حفظ کیفیت مواد غذایی، موادی که در قسمت فریزر هستند باید هرچه سریع تر یخ بزنند، از حالت یخ زدن سریع برای آن استفاده کنید.
- یخ زدن مواد غذایی هنگامی که تازه هستند سبب می شود که مدت زمان نگهداری آنها در قسمت فریزر بیشتر شود.
- مواد غذایی را در بسته بندی های محکم و بدون هوا قرار دهید و محکم ببندید.
- مطمئن شوید که مواد غذایی قبل از قرار گرفتن در فریزر بسته بندی شده باشند. از نگهدارنده های فریزر، فویل مخصوص و کاغذ ضد رطوبت، کیسه های پلاستیکی یا مواد بسته بندی مشابه به جای بسته بندی های کاغذی قدیمی استفاده کنید.
- تاریخ بسته بندی مواد غذایی را قبل از فریز کردن روی آنها بنویسید. با این کار می توانید هر بار که درب فریزر را باز می کنید از تازه بودن آنها مطمئن شوید. غذاهایی که قبلاً درون دستگاه گذاشتید را در قسمت جلو بگذارید تا اول از همه مورد استفاده قرار بگیرند.
- مواد یخ زده را باید فوراً و بعد از باز شدن یخ آنها مورد استفاده قرار دهید و نباید دوباره یخ بزنند.
- هر بار تکه های بزرگ غذا را بیرون نیاورید.

5.20 توصیه هایی برای نگهداری غذاهای یخ زده

- دمای این قسمت باید حداقل -18 درجه سانتی گراد باشد.
- هرچه سریع تر مواد غذایی را درون فریزر بگذارید تا از باز شدن یخ آنها جلوگیری شود.
- قبل از فریز کردن، "تاریخ انقضای" موجود بر روی بسته بندی را بررسی کنید تا مطمئن شوید که منقضی نشده باشد.
- بررسی کنید بسته بندی مواد غذایی آسیب ندیده باشد.

5.21 جزئیات فریزر قوی

- بر اساس IEC 62552، ظرفیت فریزر باید 4.5 کیلوگرم مواد غذایی در دمای -18 درجه سانتی گراد یا کمتر در مدت زمان 24 ساعت برای هر 100 لیتر از حجم قسمت فریزر باشد. مواد غذایی را فقط در دمای -18 درجه سانتی گراد یا کمتر می توانید برای مدت زمان طولانی نگهداری کنید می توانید مواد غذایی را برای مدت چند ماه تازه نگهداری کنید (در قسمت فریزر قوی یا دمای کمتر از 18 درجه سانتی گراد).
- مواد غذایی مورد نظر برای یخ زدن نباید با مواد غذایی که قبلاً یخ زده اند و درون دستگاه هستند تماس داشته باشند تا از یخ زدایی بخش هایی از آن جلوگیری شود.
- برای اینکه مدت زمان نگهداری بیشتر شود، سبزیجات را آب پز کنید و آب را فیلتر کنید. مواد غذایی را بعد از فیلتر کردن در بسته بندی های بدون هوا قرار دهید و در فریزر بگذارید. موز، گوجه، کاهو، کرفس، تخم مرغ آب پز، سیب زمینی و مواد غذایی مشابه را نباید فریز کنید. فریز کردن این مواد غذایی سبب کم شدن ارزش غذایی و کیفیت آنها می شود، همچنین ممکن است مواد غذایی مسموم شوند و برای سلامت شما مضر باشد.

توضیح	تنظیم قسمت خنک کننده	تنظیم قسمت فریزر
این تنظیم پیش فرض است.	4 درجه سانتی گراد	-18 درجه سانتی گراد
این تنظیمات برای دمای محیطی بالاتر از 30 درجه سانتی گراد مناسب است.	4 درجه سانتی گراد	20-، 22-، 24 درجه سانتی گراد
از این گزینه برای یخ زدن مواد غذایی در مدت زمانی کوتاه استفاده کنید. بعد از تکمیل مراحل مورد نیاز، دستگاه دوباره به تنظیمات قبلی باز می گردد.	4 درجه سانتی گراد	فریز کردن سریع
از این تنظیم زمانی استفاده کنید که فکر می کنید قسمت خنک کننده به اندازه کافی و متناسب با دمای محیط خنک نیست یا اگر درب دستگاه را زیاد باز می کنید.	2 درجه سانتی گراد	-18 درجه سانتی گراد یا خنک تر

5.23 قرار دادن غذا درون دستگاه

انواع مختلف مواد یخ زده مانند گوشت، ماهی، بستنی، سبزیجات و دیگر موارد.	قفسه های قسمت فریزر
مواد غذایی موجود در قابلمه، ظروف در دار و ظروف در بسته، تخم مرغ (در ظرف در بسته)	قفسه های قسمت خنک کننده
مواد غذایی یا سبزیجات در اندازه کوچک و بسته بندی شده	قفسه درب قسمت خنک کننده
میوه و سبزیجات	محل نگهداری سبزیجات
مواد خوراکی حساس تر (خوراکی های مخصوص صبحانه، محصولات گوشتی که باید در فاصله زمانی کوتاهی مصرف شوند)	قسمت نگهداری مواد تازه

5.24 هشدار باز ماندن درب (اختیاری)

اگر درب دستگاه به مدت 1 دقیقه باز بماند، یک هشدار صوتی می شنوید. بعد از بستن درب یا فشرده شدن هرکدام از دکمه های روی صفحه (در صورت وجود)، هشدار صوتی متوقف می شود.

5.25 چراغ داخل دستگاه

برای نور داخل دستگاه از لامپ LED استفاده می شود. در صورت وجود هرگونه مشکل در ارتباط با این لامپ با خدمات مجاز تماس بگیرید. لامپ موجود در این دستگاه برای روشن کردن اتاق در منزل مناسب نیست. هدف کاربرد این لامپ کمک به کاربر در قرار دادن مواد غذایی در یخچال/فریزر به روشی راحت و ایمن است.

5.26 تغییر جهت باز شدن در

جهت باز کردن در یخچال را می توان بر اساس محلی که از آن استفاده می کنید تغییر داد. اگر این کار لازم است، لطفاً با نزدیکترین مرکز خدمات مجاز تماس بگیرید.

اگر دستگاه را مرتباً تمیز کنید، طول عمر محصول بیشتر می شود و مشکلات معمول از بین خواهند رفت.



هشدار: قبل از تمیز کردن، سیم برق را بکشید.

- مهم است که دستگاه را تمیز نگهدارید. باقی مانده مواد غذایی، لکه ها و موارد دیگر می توانند بوی بد ایجاد کنند. بنابراین یخچال را با کمک محلول آب و کربنات هر 15 روز یکبار تمیز کنید. هرگز از مواد شوینده یا صابون استفاده نکنید.
- مواد غذایی را درون محفظه های دربسته قرار دهید. میکروارگانیزم هایی که از محفظه های بدون درب به بیرون پخش می شوند ممکن است سبب ایجاد بویی بد شوند.

- هرگز مواد غذایی که منقضی شده اند یا بهترین تاریخ مصرف آنها گذشته است را در دستگاه نگهداری نکنید.
- از ابزارهای تیز و ساینده یا صابون، مواد تمیزکننده خانگی، مواد شوینده، بنزین، واکس و دیگر مواد استفاده نکنید، در غیر اینصورت ممکن است برچسب های روی قسمت های پلاستیکی کنده شود و تغییر شکل ایجاد شود. از آب گرم و پارچه ای نرم برای تمیز کردن و خشک کردن استفاده کنید.

6.2 محافظت از سطوح پلاستیکی

از قرار دادن روغن های مایع یا موادی که با روغن پخته شده است در دستگاه و در محفظه های بدون خودداری کنید زیرا می توانند به سطوح پلاستیکی دستگاه آسیب برسانند. اگر روغن پخش شود یا به سطوح پلاستیکی بچسبند، قسمت های کثیف را همزمان با آب گرم تمیز کرده و بشویید.

- هرگز از گازولین، بنزین یا مواد مشابه برای تمیز کردن استفاده نکنید.
- هرگز از مواد نوک تیز یا ساینده، صابون، تمیزکننده های خانگی، مواد شوینده و واکس برای تمیز کردن استفاده نکنید.
- یک قاشق چایخوری کربنات را در نیم لیتر آب حل کنید. یک پارچه را در این محلول خیس کنید و کامل آب بکشید. قسمت داخلی دستگاه را با این پارچه تمیز کنید و به طور کامل خشک کنید.
- بررسی کنید که هیچ آبی به درون محفظه لامپ و دیگر بخش های برقی وارد نشود.
- اگر نمی خواهید از دستگاه برای مدت زمان طولانی استفاده کنید، دوشاخه آن را از برق بیرون بکشید، تمام مواد غذایی موجود در آن را بیرون بیاورید، آن را تمیز کرده و درب را نیم باز رها کنید.
- مرتباً بررسی کنید که سبدهای درب تمیز باشند. اگر تمیز نیست، آن را تمیز کنید.
- برای بیرون آوردن درب و قفسه های در، تمام محتوای آن را بیرون بیاورید.
- قفسه های درب را به سمت بالا بکشید و بیرون بیاورید. بعد از تمیز کردن، آنها را از بالا به پایین بلغزانید تا در جای خود قرار بگیرند.
- هرگز از مواد تمیزکننده یا آب حاوی کلر برای تمیز کردن سطوح بیرونی و روکش های فلزی دستگاه استفاده نکنید. کلر سبب ایجاد سایش در سطوح فلزی می شود.

6.1 جلوگیری از ایجاد بوی بد

موادی که سبب ایجاد بوی بد می شوند در تولید دستگاه های ما به کار نرفته اند. اما به دلیل شرایط نامناسب نگهداری مواد غذایی یا تمیز نکردن سطوح داخلی دستگاه همانطور که لازم است ممکن است مشکل بوی بد ایجاد شود. برای جلوگیری از بروز مشکلات، به موارد زیر توجه کنید:

3.6 درهای شیشه ای

- کلیه فویل‌های حفاظتی روی شیشه ها را بردارید.
 - یک لایه روی سطح شیشه ها کشیده شده است. این روکش تشکیل لکه را به حداقل رسانده و به زدودن لکه های و کثیفیهای ایجاد شده کمک می کند. شیشه هایی که با چنین روکشی حفاظت نشده اند ممکن است در معرض تشکیل لکه های آبی یا هوایی ارگانیک با غیر ارگانیک مانند آهک، نمکهای کانی، هیدروکربونهای سوخته نشده، اکسید فلز و سیلیکون قرار گیرند که به آسانی و با سرعت باعث ایجاد لکه و آسیب رسیدن به مواد می شوند. تمیز نگاه داشتن شیشه علی رغم تمیز کردن منظم بیش از حد مشکل خواهد شد. در نتیجه، ظاهر و شفافیت شیشه خراب می شود. روشها و ترکیبات تمیز کننده خشن و سایشی هم این خرابیها را تشدید کرده و روند خراب شدن شیشه را تسریع می کنند.
 - باید از محصولات تمیز کردن آبی که دارای آلکالین یا مواد خورنده نمی باشند برای تمیز کردن منظم استفاده کرد.
 - مواد بدون آلکالین و غیر خورنده باید برای تمیز کردن استفاده شوند تا طول کار این روکش برای مدت طولانی ادامه یابد.
 - این شیشه ها حرارت دیده می باشند تا دوام آنان در برابر ضربه و شکستگی افزایش یابد.
 - یک غشاء ایمنی هم در سطح پشت شیشه ها به منظور ایمنی بیشتر بکار گرفته شده است تا در صورت شکستن به محیط اطراف کمتر آسیب برسانند.
- * آلکالی یک باز است که هنگام حل شدن در آب یون هیدروکسید (OH^-) تولید می کند.
- Li (لیتیوم)، Na (سدیم)، K (پتاسیم)، Rb (روبییدیم)، Cs (سزیم) و فلزات مصنوعی و رادیو اکتیو Fr (فرنسیوم) به نام فلزات آلکالی نامیده می شوند.

ی‌یوچ هم‌فرصد امشل‌لوپ و نامز رد راک‌نیا اب . دینک معلطم ار ریز ی‌هاه تمسق ، تامدخ ش‌خبا اب س‌امت زل بقه أفضلا زای‌ضعب . دنتسین نا مدنز اسد داوم اب ماگتسد صرقه هجیند رد لاومعم هک تسای تلاکشم‌ل ماشد تسیل نیا . دوش می‌دشاب هتساشد دوجو امشل‌لوصحم رد تسا نکمم هچر تقد نیا رد دشد فیصوت ی‌هاه ی‌گزویو

دستگاه کار نمی کند.

- دوشاخه به درستی برق وصل نیست. << دوشاخه را محکم به پریز وصل کنید.
- فیوز دوشاخه ای که یخچال به آن وصل است یا فیوز اصلی ممکن است سوخته باشد. << فیوز را بررسی کنید.

در دیواره کناری یخچال (قسمت چندانگانه، قسمت کنترل سرما یا قسمت انعطاف پذیر)، میعان ایجاد می شود.

- دمای محیط بسیار خنک است. << از نصب محصول در مکان هایی که دمای آن به کمتر از 10 درجه می رسد، خودداری کنید.
- درها به تعداد دفعات زیادی باز و بسته می شوند. << از باز کردن و بستن درب یخچال به تعداد دفعات زیاد خودداری کنید.
- دمای محیط بسیار مرطوب است. << از نصب یخچال در مکان هایی که رطوبت زیادی دارند، خودداری کنید.
- مواد غذایی حاوی مایعات در محفظه های در باز نگهداری شده اند. << مواد غذایی دارای محتوای مایع را در محفظه های در بسته نگهداری کنید.
- درب تا نیمه باز گذاشته شده است. << از باز گذاشتن درب های یخچال برای مدت زمان طولانی خودداری کنید.
- ترموستات روی سطح بسیار خنک تنظیم شده است. << ترموستات را روی سطحی مناسب تنظیم کنید.

کمپرسور کار نمی کند

- در هنگام قطع ناگهانی برق یا زمانی که دوشاخه را از برق قطع کرده و دوباره وصل می کنید ممکن است محافظ حرارتی کمپرسور بپرد زیرا فشار خنک کننده در سیستم خنک کننده هنوز به درستی تنظیم نشده است. دستگاه تقریباً بعد از 6 دقیقه دوباره شروع به کار می کند. اگر دستگاه در پایان این دوره شروع به کار نکرد، لطفاً با نمایندگی خدمات مجاز تماس بگیرید.
- یخچال در حالت یخ زدایی است. << این حالت برای یخ زدایی کاملاً خودکار یخچال امری طبیعی است. یخ زدایی به صورت دوره ای انجام می شود.
- دوشاخه دستگاه به برق وصل نیست. << بررسی کنید که ابتدا دوشاخه به برق وصل باشد.
- تنظیمات دما به درستی انجام نمی شوند. << مقدار دمای مناسب را انتخاب کنید.
- برق قطع شده است. << دستگاه بعد از وصل شدن برق به حالت عادی باز می گردد.

صدای عملیات در هنگام کارکرد دستگاه زیاد می شود.

- عملکرد دستگاه بسته به تغییرات ایجاد شده در دمای محیط، تغییر می کند. این حالت طبیعی است و نقص به حساب نمی آید.

دستگاه مرتباً یا برای مدت زمانی طولانی در حال کار کردن است.

- محصول جدید ممکن است عریض تر از دستگاه قبلی باشد. دستگاه های بزرگ تر برای مدت زمان بیشتری کار می کنند.
- دمای اتاق ممکن است زیاد باشد. <<< طبیعی است که دستگاه در دمای گرم برای مدت زمان بیشتری کار کند.
- ممکن است دوشاخه دستگاه به برق وصل شده باشد یا اینکه اخیراً غذا در آن گذاشته باشید. <<< هنگامی که دوشاخه یخچال به برق وصل می شود یا اگر اخیراً مواد غذایی در آن قرار داده اید، ممکن است بیشتر طول بکشد تا دما را تنظیم کند. این حالت طبیعی است.
- مقدار زیادی مواد غذایی گرم ممکن است اخیراً در یخچال گذاشته شده باشد. <<< از قرار دادن مواد گرم در یخچال خودداری کنید.
- ممکن است درها مرتباً باز و بسته شده باشند یا اینکه برای مدت زمان طولانی نیمه باز مانده باشند. <<< هوای گرم وارد شده به یخچال سبب می شود که یخچال برای مدت زمان طولانی تری کار کند. از باز کردن مداوم درب دستگاه خودداری کنید.
- درب قسمت فریزر یا یخچال ممکن است باز مانده باشد. <<< بررسی کنید که درها کاملاً بسته باشند.
- دمای دستگاه روی مقدار بسیار کم تنظیم شده است. <<< دمای یخچال را روی مقداری گرم تر تنظیم کنید و منتظر بمانید تا زمانی که به دمای مورد نظر برسید.
- قفل درب یخچال یا فریزر ممکن است کثیف باشد، خراب شده یا اینکه شکسته باشد و به درستی بسته نشود. <<< قفل را تمیز کرده یا تعویض کنید. قفل درب آسیب دیده/شکسته سبب می شود که دستگاه برای مدت زمان طولانی تری کار کند تا بتواند دمای فعلی را حفظ کند.

دمای فریزر خیلی کم است در حالیکه خنکی یخچال به اندازه کافی نیست.

- دمای فریزر روی مقدار بسیار کم تنظیم شده است. <<< دمای فریزر را روی مقداری بالاتر تنظیم کنید و بررسی کنید.

دمای یخچال خیلی کم است در حالیکه خنکی فریزر به اندازه کافی نیست.

- دمای یخچال روی مقدار بسیار کم تنظیم شده است. <<< دمای یخچال را روی مقداری بالاتر تنظیم کنید و بررسی کنید.

غذای موجود در قسمت یخچال یخ زده است.

- دمای یخچال روی مقدار بسیار زیاد تنظیم شده است. <<< دمای یخچال را روی مقداری کمتر تنظیم کنید و بررسی کنید.

دمای یخچال یا فریزر خیلی زیاد است.

- دمای یخچال روی مقدار بسیار زیاد تنظیم شده است. <<< تنظیم دمای قسمت یخچال بر روی دمای فریزر تأثیر می گذارد. دمای قسمت یخچال یا فریزر را تغییر دهید تا زمانی که قسمت های مربوطه به دمایی مناسب و کافی برسند.
- درها مرتباً باز می شوند یا برای مدت زمان طولانی باز مانده است. <<< از باز کردن مداوم درها خودداری کنید.
- درب تا نیمه باز گذاشته شده است. <<< در را کامل ببندید.
- ممکن است دوشاخه دستگاه به برق وصل شده باشد یا اینکه اخیراً غذا در آن گذاشته باشید. <<< این حالت طبیعی است. هنگامی که دوشاخه یخچال به برق وصل می شود یا اگر اخیراً مواد غذایی در آن قرار داده اید، ممکن است بیشتر طول بکشد تا دما را تنظیم کند.
- مقدار زیادی مواد غذایی گرم ممکن است اخیراً در یخچال گذاشته شده باشد. از قرار دادن مواد گرم در دستگاه خودداری کنید.

دستگاه می لرزد یا صدا تولید می کند.

- کف دستگاه مسطح یا ثابت نیست. <<< اگر دستگاه در هنگام جابجا شدن آهسته می لرزد، پایه های آن را تنظیم کنید. همچنین بررسی کنید که درب به اندازه کافی محکم باشد تا بتواند دستگاه را حمل کند و در سطحی یکسان باقی بماند.
- ممکن است موادی که در یخچال قرار داده اید، صدا ایجاد می کنند. <<< اجسام موجود بر روی دستگاه را بردارید.

صدای مانند جریان آب، صدای وز وز و دیگر موارد به گوش می رسد.

- جریان های مایع و گاز با توجه به اصول اجرایی دستگاه پخش می شوند. <<< این حالت طبیعی است و نقص به حساب نمی آید.

از دستگاه صدایی شبیه سوت شنیده می شود.

- برای خنک کردن دستگاه از پنکه استفاده شده است. این حالت طبیعی است و نقص به حساب نمی آید.

بر روی دیواره های داخلی دستگاه میعان ایجاد می شود.

- مقدار هوای گرم و مرطوب در دستگاه سبب افزایش میزان ایجاد یخ و میعان می شود. این حالت طبیعی است و نقص به حساب نمی آید.
- درها مرتباً باز می شوند یا برای مدت زمان طولانی باز مانده است. <<< از باز کردن مداوم درها خودداری کنید.
- درب تا نیمه باز گذاشته شده است. <<< در را کامل ببندید.

رطوبت روی سطح بیرونی دستگاه یا بین درب ها ایجاد می شود.

- ممکن است در هوا رطوبت باشد که در مناطق مرطوب این حالت کاملاً طبیعی است. هنگامی که رطوبت کمتر است، میعان ایجاد می شود.

بوی بدی در دستگاه است.

- دستگاه را مرتباً تمیز نمی کنید. <<< قسمت داخلی دستگاه را مرتباً با یک اسفنج و آب گرم یا محلول آب و کربنات تمیز کنید.
- بعضی از مواد بسته بندی ها چنین بویی را ایجاد می کنند. <<< از یک محفظه دیگر یا مواد بسته بندی دیگر استفاده کنید.
- مواد غذایی که در دستگاه قرار گرفته است در محفظه های در باز هستند. <<< مواد غذایی را درون محفظه های دربسته قرار دهید. میکروارگانیسم هایی که از محفظه های بدون درب به بیرون پخش می شوند ممکن است سبب ایجاد بویی بد شوند.
- هرگز مواد غذایی که منقضی شده اند یا بهترین تاریخ مصرف آنها گذشته است را در دستگاه نگهداری نکنید.

در بسته نمی شود.

- بسته های مواد غذایی مانع از بسته شدن درب می شوند. بسته هایی که مانع از بسته شدن درب هستند را جابجا کنید.
- یخچال به طور کامل روی زمین صاف قرار نگرفته است. <<< پایه های آن را تنظیم کرده و ارتفاع دستگاه را تنظیم کنید.
- درب دستگاه مسطح یا محکم نیست. <<< همین بررسی کنید که کف دستگاه صاف باشد و توان کافی داشته باشد تا بتواند دستگاه را حمل کند.

میوه و سبزیجات می چسبند.

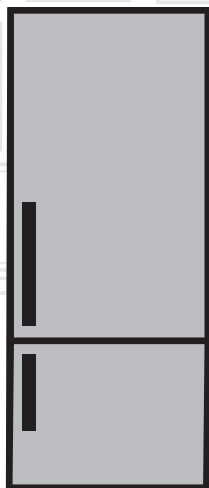
- غذا با سقف کشو در تماس است. <<< مرتباً غذا را در کشو مرتب کنید.

هشدار: اگر با دنبال کردن این دستور العمل ها در این بخش نتوانستید مشکلات را برطرف کنید، با فروشنده یا نماینده خدمات مجاز تماس بگیرید. شخصاً از تعمیر دستگاهی که کار نمی کند، خودداری کنید.



Хладилник

Ръководство за употреба



BG |

beko

Моля, прочетете това ръководство, преди да използвате продукта!

Уважаеми клиенти,

Бихме желали да извлечете най-доброто при употребата на този продукт, който е произведен в модерни предприятия с грижа и щателен контрол на качеството.

Поради тази причина Ви препоръчваме да прочетете цялото ръководство, преди да използвате този продукт. В случай, че продуктът премине в други ръце, не забравяйте да предадете ръководството на своя нов собственик заедно с продукта.

Това ръководство ще Ви помогне да използвате бързо и безопасно продукта.

- Моля, преди да инсталирате и работите с продукта, прочетете внимателно ръководството за потребителя.
- Винаги спазвайте съответните инструкции за безопасност.
- Съхранявайте ръководството за потребителя на леснодостъпно място за бъдещи справки.
- Моля, прочетете всички други документи, придружаващи продукта.

Имайте предвид, че това ръководство може да се прилага за няколко модела на продукта.

Ръководството ясно показва всякакви изменения на различните модели.

	Важна информация и полезни съвети.
	Риск за живота и имуществото.
	Опасност от токов удар.
	Опаковката на продукта е произведена от рециклирани материали, в съответствие с националното законодателство за опазване на околната среда.

Съдържание

1	Инструкции за безопасност и опазване на околната среда	3
1.1.	Общи правила за безопасност . . .	3
1.1.1	НС предупреждение	4
1.1.2	За модели с воден фонтан.	5
1.2.	Употреба по предназначение	5
1.3.	Безопасност за децата	6
1.4.	Съответствие с Директива ОЕЕО за изхвърляне на отпадъчни продукти.	6
1.5.	Съответствие с Директива RoHS	6
1.6.	Информация за опаковката	6
2	Хладилник	7
3	Монтаж	8
3.1.	Правилно място за монтаж.	8
3.2.	Поставяне на пластмасови клинове	8
3.3.	Нивелиращи крачета	8
3.4.	Свързване към захранването	9
3.5.	Обръщане на вратите	10
3.6.	Обръщане на вратите	11
4	Подготовка	12
4.1.	Как да спестим енергия.	12
4.2.	Използване за първи път	12
5	Използване на продукта	13
5.1.	Бутон за регулиране на температурата.	13
5.2.	Бързо замразяване	13
5.3.	Функция „Ваканция“	13
5.4.	Функция „Ваканция“	14
5	Използване на продукта	15
5.5.	Индикаторен панел	15
5.6.	Индикаторен панел	17
5.7.	Кофичка за лед	20
5.8.	Поставка за яйца	20
5.9.	Вентилатор.	20
5.10	Кош за зеленчуци	20
5.11	Отделение с нулева температура	20
5.12.	Подвижни рафтове на вратата	21
5.13	Плъзгащ се контейнер за съхранение	21
5.14.	Кош за зеленчуци с контролиране на влажността	22
5.15.	Автоматична машина за лед	22
5.16.	Icematic и контейнер за съхранение на лед	23
5.17	Употреба на водния диспенсър	23
5.18	Пълнене на резервоара на диспенсъра за вода	24
5.19.	Почистване на резервоара за вода	25
5.20	Тавичка за оттичане	25
5.21	Замразяване на прясна храна.	26
5.22.	Препоръки за съхранение на замразена храна	26
5.23.	Подробности за дълбокото замразяване	26
5.24.	Поставяне на храната	27
5.25	Аларма за отворена врата	27
5.26.	Вътрешно осветление	27
5.27.	Смяна посоката на отваряне на врататае.	27
6	Поддръжка и почистване	28
6.1.	Предотвратяване на образуване на лоши миризми.	28
6.2.	Защита на пластмасовите повърхности	28
6.3.	Съгласно на вратите	28
7	Отстраняване на	

1 Инструкции за безопасност и опазване на околната среда

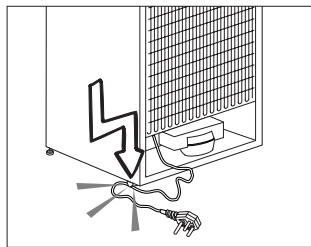
Този раздел съдържа инструкции за безопасност, необходими за избягване на риска от нараняване и материални щети. Неспазването на тези инструкции ще обезсили всички видове продуктова гаранция.

1.1. Общи правила за безопасност

- Този продукт не трябва да се използва от лица с физически, сензорни и ментални увреждания, без достатъчно знания и опит или от деца. Уредът може да се използва от тези лица само под надзора и спазвайки инструкциите на лицата, отговорни за тяхната безопасност. Децата не трябва да си играят с този уред.
- В случай на неизправност, изключете уреда от контакта.
- След изваждане на щепсела от контакта, изчакайте 5 минути, преди отново да включите щепсела от контакта. Изключвайте уреда от контакта, ако няма да го използвате. Не пипайте щепсела с мокри ръце! Не дърпайте кабела, а винаги дръжте щепсела.
- Избършете щепсела със суха кърпа, преди да го включите в контакта.
- Не включвайте хладилника, ако контактът е разхлабен.
- Изключвайте уреда по време на монтаж, поддръжка, почистване и ремонт.
- Ако известно време няма да използвате уреда, изключете го от контакта и извадете храната.
- Не използвайте пара или втечнени почистващи препарати за почистване на хладилника и стопяване на леда вътре в него. Парата може да се свърже с електрифицираните зони и да предизвика късо съединение или токов удар!
- Не мийте уреда чрез пръскане или обливане с вода върху него! Опасност от токов удар!
- В случай на неизправност, не използвайте продукта, тъй като може да предизвика токов удар. Свържете се с оторизиран сервиз, преди да предприемете каквито и да е дейности.

Инструкции за безопасност и опазване на околната среда

- Включете продукта в заземен контакт. Заземяването трябва да е извършено от квалифициран електротехник.
- Ако продуктът има светодиодно осветление, свържете се с оторизиран сервиз за смяна или в случай на друг проблем.
- Не пипайте замразената храна с мокри ръце! Може да залепне за ръцете Ви!
- Не поставяйте течности в бутилки и кенчета във фризерното отделение. Могат да се взривят!
- Поставете течности в изправено положение след плътно затваряне на капачката.
- Не пръскайте запалими вещества в близост до продукта, тъй като може да изгори или да се взриви.
- Не съхранявайте запалими материали и продукти със запалими газове (спрейове и т.н.) в хладилника.
- Не поставяйте съдове с течности върху продукта. Пръскането на вода върху електрическите части може да причини токов удар и риск от пожар.



- Излагането на продукта на дъжд, сняг, слънце и вятър може да предизвика електрическа опасност. При преместване на уреда, не дърпайте, държейки дръжката на вратата. Дръжката може да се изтръгне.
- Внимавайте части от ръцете и тялото Ви да не бъдат захванати от движещите се части вътре в продукта.
- Не стъпвайте и не се облягайте на вратата, чекмеджетата и други части на хладилника. Това може да доведе до падане на продукта и повреждане на части.
- Внимавайте да не притиснете охранващия кабел.

1.1.1 НС предупреждение

Ако продуктът има система за охлаждане с R600a газ, погрижете се да избягвате повреда на системата за охлаждане и тръбата, докато използвате и преместване на продукта. Този газ е запалим.

Ако охлаждащата система е повредена, дръжте продукта далече от източници на пожар и незабавно проветрете помещението.



Етикетът върху вътрешната страна отляво показва типа на използвания в този уред газ.

1.1.2 За модели с воден фонтан

- Налягането на входа за студена вода трябва да е максимум 90 psi (6,2 bar). Ако налягането на водата надвиши 80 psi (5,5 bar), използвайте клапана за ограничаване на налягането в мрежовата система. Ако не знаете как да проверите налягането на водата, потърсете помощ от професионален водопроводчик.
- Ако има риск от хидравлически удар във вашата инсталация, винаги използвайте оборудване за предотвратяване на хидравлически удар. Консултирайте се с професионален водопроводчик, ако не сте сигурни, че във вашата

инсталация няма да възникне хидравлически удар.

- Не инсталирайте на входа за гореща вода. Вземете предпазни мерки срещу замръзване на маркучите. Работният интервал на температурата на водата трябва да е минимум 33°F (0,6°C) и максимум 100°F (38°C).
- ### 1.2. Употреба по предназначение
- Този уред е предназначен за домашна употреба. Не е предназначен за използване с търговска цел.
 - Продуктът трябва да се използва само и единствено за съхранение на храна и течности.
 - В хладилника не съхранявайте чувствителни продукти, които изискват контролирани температури (ваксини, чувствителни на топлина лекарства, медицински консумативи и т.н.).
 - Производителят не поема никаква отговорност за повреди, причинени от неправилна употреба или неправилно боравене.

Инструкции за безопасност и опазване на околната среда

- Експлоатационният живот на продукта е 10 години. През този период на разположение ще са резервни части, необходими за функционирането на продукта.

1.3. Безопасност за децата

- Съхранявайте опаковъчните материали на недостъпно за деца място.
- Не позволявайте на децата да си играят с продукта.
- Ако вратата на уреда е оборудвана с ключалка, пазете ключа на място, недостъпно за деца.

1.4. Съответствие с Директива ОЕЕО за изхвърляне на отпадъчни продукти

Този продукт съответства на Директива ОЕЕО ЕС (2012/19/ЕС). Този символ носи символ за класификация за отпадък от електрическо и електронно оборудване (ОЕЕО).



Този продукт е произведен от висококачествени части и материали, които могат да се използват повторно и са подходящи за рециклиране. Не изхвърляйте продукта с нормалните битови отпадъци и

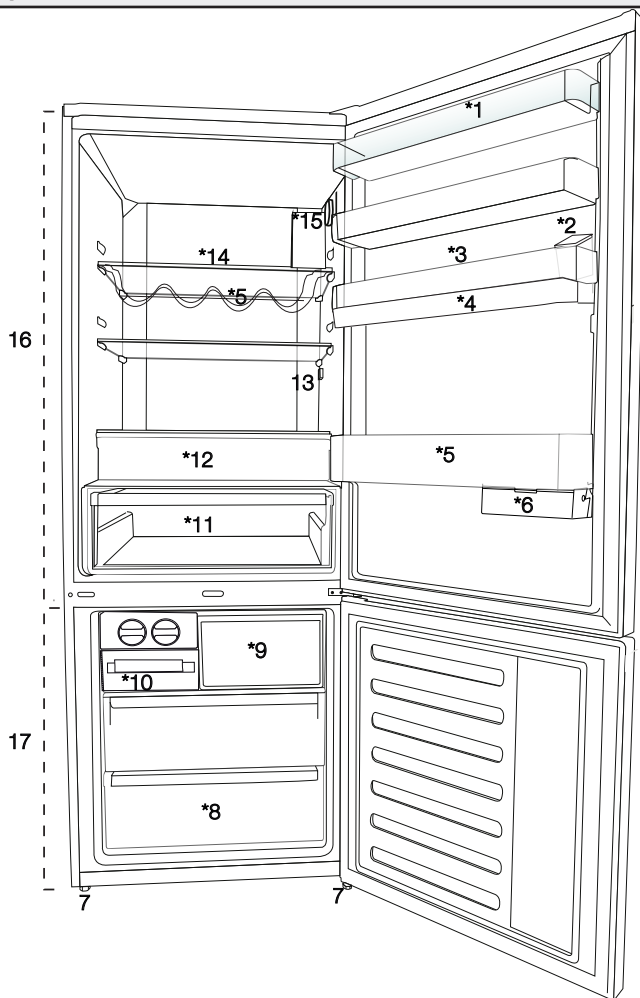
другите отпадъци в края на експлоатационния му живот. Предайте го в събирателния център за рециклиране на електрическо и електронно оборудване. Моля, консултирайте се с местните власти, за да научите повече за тези центрове за събиране.

1.5. Съответствие с Директива RoHS

- Този продукт съответства на Директива ОЕЕО ЕС (2011/65/ЕС). Не съдържа вредни и забранени материали, посочени в Директивата.

1.6. Информация за опаковката

- Опаковката на продукта е произведена от рециклирани материали в съответствие с нашите национални разпоредби за опазване на околната среда. Не изхвърляйте опаковката заедно с местните и други отпадъци. Върнете ги в пунктовете за събиране на опаковъчни материали, определени от местните власти.



- | | |
|--|--|
| <ol style="list-style-type: none"> 1. Рафт на вратата на хладилното отделение 2. Диспенсър за вода с резервоар за пълнене 3. Отделение за яйца 4. Воден резервоар на диспенсъра 5. Рафт за бутилки 6. Плъзгач се контейнер за съхранение 7. Регулируеми крачета 8. Фризерно отделение за дълбоко замразяване | <ol style="list-style-type: none"> 9. Отделение за бързо замразяване 10. Тавичка за натрупалите се кубчета лед 11. Чекмедже за зеленчуци: 12. Отделение с нулева температура 13. Вътрешна лампа 14. Стъклен рафт на хладилното отделение 15. Бутон за регулиране на температурата 16. Хладилно отделение 17. Фризерно отделение |
|--|--|



*Опция: Фигурите в това ръководство са схематични и може да не съответстват точно на Вашия продукт. Ако Вашият продукт не съдържа съответните части, информацията се отнася за други модели.

3.1. Правилно място за монтаж

За монтажа на продукта се свържете с оторизиран сервиз. За да подготвите продукта за монтаж, вижте информацията в ръководството за експлоатация и се уверете, че електрическите и водните съоръжения отговарят на изискванията. Ако не, обадете се на електротехник и водопроводчик.

	ПРЕДУПРЕЖДЕНИЕ: Производителят не поема никаква отговорност за щети, причинени от работа, извършена от неоторизирани лица.
	ПРЕДУПРЕЖДЕНИЕ: По време на монтажа захранващият кабел на продукта трябва да е изключен. Неспазването на това изискване може да доведе до смърт или сериозни наранявания.
	ПРЕДУПРЕЖДЕНИЕ: Ако вратата не е достатъчно широка, за да може продуктът да премине свободно, демонтирайте я и завъртете продукта настрана; ако това не помогне, свържете се с оторизиран сервиз.

- Поставете продукта върху плоска повърхност, за да избегнете вибрации.
- Поставете продукта най-малко на 30 см от нагревател, печка или други източници на топлина и най-малко на 5 см от електрически печки.
- Не излагайте продукта на директна слънчева светлина и не го дръжте във влажна среда.
- Продуктът изисква достатъчна циркулация на въздуха, за да функционира ефективно. Ако ще монтирате уреда в ниша, не забравяйте да оставите разстояние от най-малко 5 см между продукта и тавана и стените.
- Не монтирайте продукт в среда с температура под -5°C .

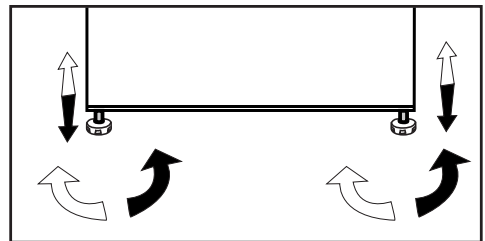
3.2. Поставяне на пластмасови клинове

Използвайте включените в обема на доставката на продукта пластмасови клинове, за да осигурите достатъчно пространство за вентилация на въздуха между продукта и стената.

1. Може да монтирате двата пластмасови клина както е показано на илюстрацията. Пластмасовите клинове осигуряват нужната дистанция между хладилника и стената, така че да се осигури циркулация на въздух. (Илюстрацията на фигурата е само пример и не отговаря точно на вашия продукт.)

3.3. Нивелиращи крачета

Ако продуктът не е в положение за балансиране, регулирайте предните нивелиращи крачета, като въртите наляво или надясно.



3.4. Свързване към захранването



ПРЕДУПРЕЖДЕНИЕ: не използвайте удължители или разклонители в електрическата мрежа.



ПРЕДУПРЕЖДЕНИЕ: Повреден захранващ кабел трябва да се подменя в оторизиран сервиз. Когато поставите два охладителя в съседна позиция, оставете разстояние от поне 4 см между двата уреда.

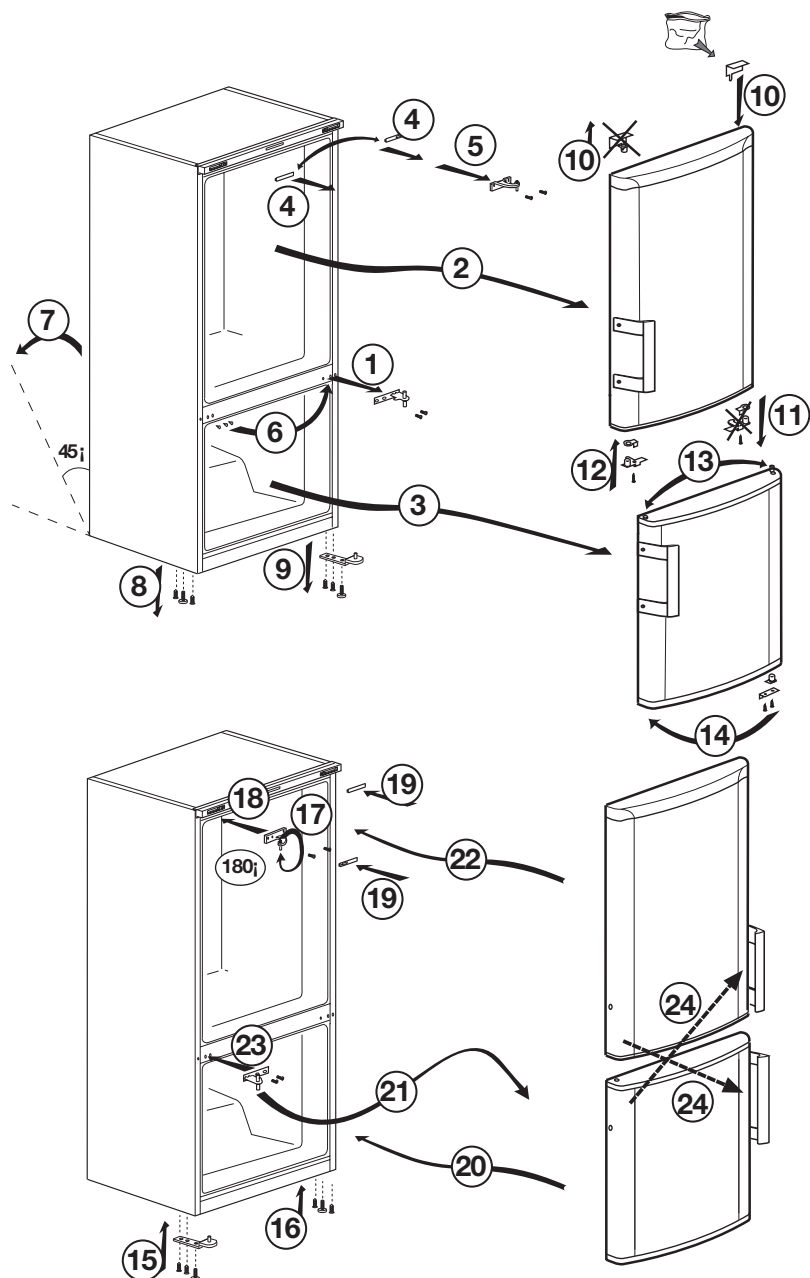


Фирмата ни не носи отговорност за каквито и да било щети, дължащи се на употреба без заземяване и свързване към електрическата мрежа в съответствие с националните разпоредби.

- След монтажа щепселът на захранващия кабел трябва да е лесно достъпен.
- Свържете хладилника към заземен контакт с напрежение от 220-240V/50 Hz. Щепселът трябва да има 10-16A предпазител.
- Не използвайте многогрупов щепсел с или без удължител между контакта на стената и хладилника.

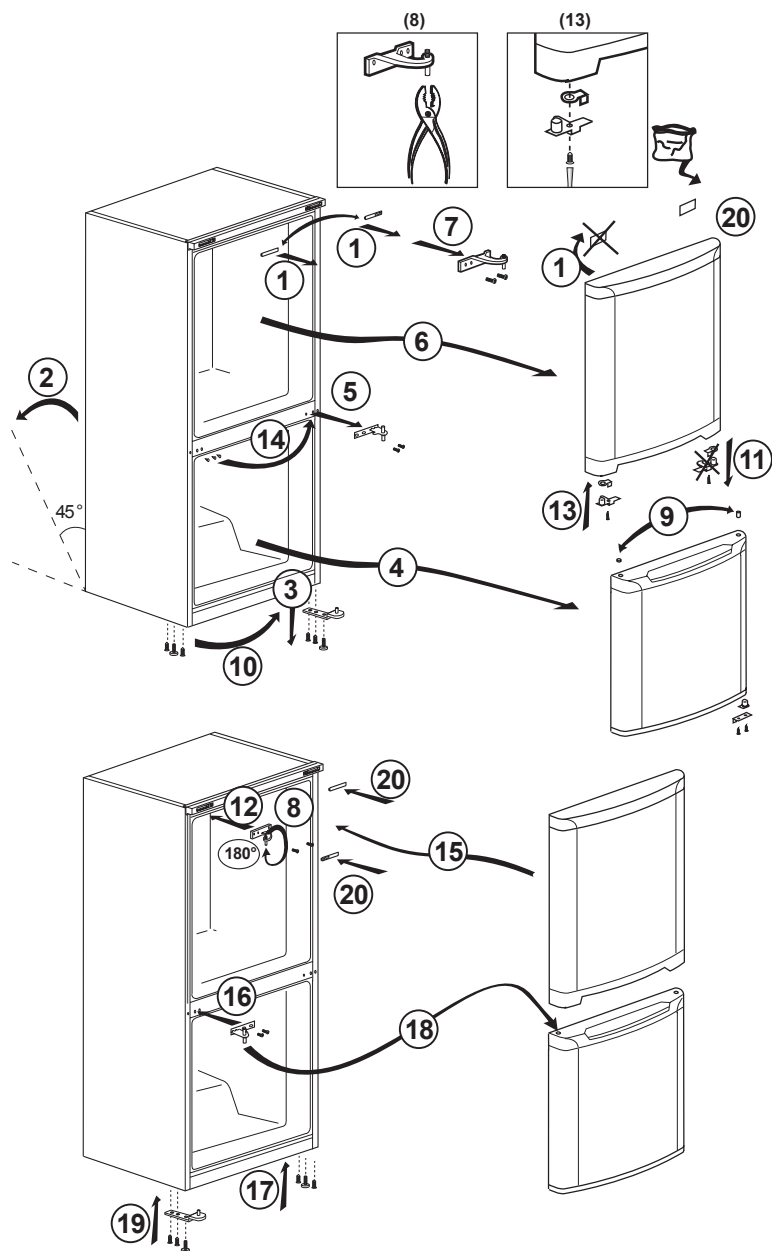
3.5. Обръщане на вратите

Процедирайте по следния начин.



3.6. Обръщане на вратите

Процедирайте по следния начин.

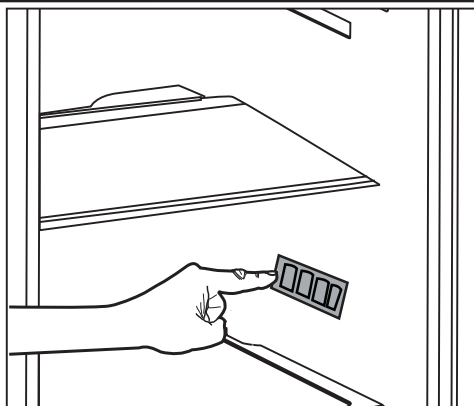


4.1. Как да спестим енергия



Свързването на продукта с енергоспестяващи системи е опасно и може да доведе до повреда на продукта.

- Не дръжте вратите на хладилника отворени дълго време.
- Не слагайте гореща храна или напитки в хладилника.
- Не преплъвайте хладилника; блокирането на вътрешния въздушен поток ще намали капацитета на охлаждане.
- За да съхранявате максимално количество храна в хладилното отделение на хладилника, трябва да извадите по-горните чекмеджета и да поставите храната върху стъкления рафт. Декларираната енергийна консумация на хладилника се определя чрез изваждане на охладителя, тавата за лед и горните чекмеджета по начин, което ще даде възможност за максимално съхранение. Когато съхраняването е строго препоръчително, използвайте долните чекмеджета. За най-добър разход на енергия, трябва да бъде активирана функцията пестене на енергия.
- Не трябва да блокирате въздушния поток като поставяте храна пред охлаждащия вентилатор. Пред защитната решетка на вентилатора, трябва да се оставя свободно пространство в размер най-малко 3 см.
- В зависимост от характеристиките на продукта; размразяването на замразени храни в хладилното отделение ще осигури спестяване на енергия и запазване на качеството на храните.
- За да се гарантира икономия на енергия и защита на храните в по-добри условия, храните трябва да се съхраняват в чекмеджетата в хладилното отделение.
- Опаковките на храните не трябва да са в пряк контакт с топлинния сензор, разположен в хладилното отделение. Ако те са в контакт със сензора, потреблението на енергия на уреда може да се увеличи.



4.2. Използване за първи път

Преди да използвате вашия хладилник, уверете се, че необходимата подготовка се прави в съответствие с инструкциите за „Безопасност и опазване на околната среда“ и „Инсталиране“.

- Оставете уреда да работи в продължение на 6 часа, без да има храна в него, и не отваряйте вратата, освен ако не е абсолютно необходимо.



Когато компресорът работи ще се чува звук. Нормално е да чувате звук, дори когато компресорът не работи, това е продиктувано от компресираните течности и газовете в охладителната система.



Предните ъгли на хладилника може да са топли на пипане. Това е нормално. Тези зони са проектирани да се затоплят, за да се избегне кондензацията.



При някои модели информационният панел се изключва автоматично 5 минути след затварянето на вратата. Той ще бъде активиран отново, когато вратата се отвори или се натисне бутона.

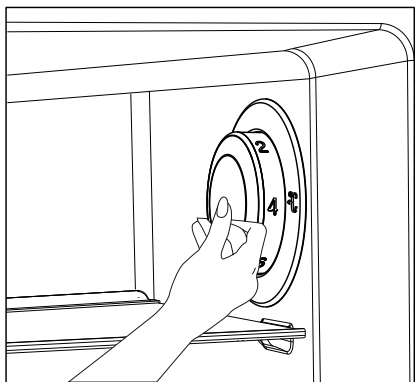
5.1. Бутон за регулиране на температурата

Вътрешната температура на хладилника се променя поради следните причини;

- Сезонни температури,
- Често отваряне на вратата и оставянето и за дълго отворена,
- Поставянето на храна, която не е охладена до стайна температура,
- Мястото на хладилника в стаята (напр. излагане на слънце).
- Вътрешната температура варира поради тези фактори и може да се регулира чрез бутона за корекции.

Цифрите около бутона за настройка показват температурата по "°C".

Ако околната температура е 20°C, се препоръчва температурата на хладилника да се настрои на 4°C. При други температури на околната среда, тази стойност може да се коригира.



5.2. Бързо замразяване

Ако желаете да замразите големи количества прясна храна, превключете бутона за регулиране на температурата на позицията (❄), преди да поставите храната в отделението за бързо замразяване.

Препоръчително е термостата да се държи на позиция поне 24 часа, за да замрази максималното количество храна, посочено като капацитет на замразяване. Обърнете специално внимание да не се смесват храни, които са обозначени като замразени и пресни храни.

Не забравяйте да върнете бутона за регулиране на температурата обратно към предишната му позиция.

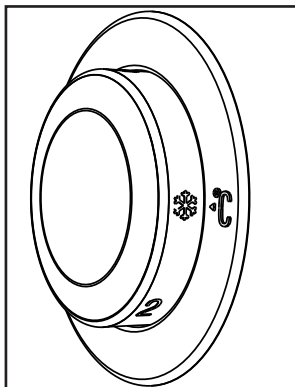
5.3. Функция „Ваканция“

Ако вратата на уреда не е (🔒) отваряна най-малко 12 часа след корекциите с бутона за настройка на температурата до най-висока степен, функцията „Ваканция“ се активира автоматично.


За да се отмени функцията, трябва да промените настройките от бутона.

Препоръчително е, при активирана функция „Ваканция“, храните да се съхраняват в по-хладното отделение.

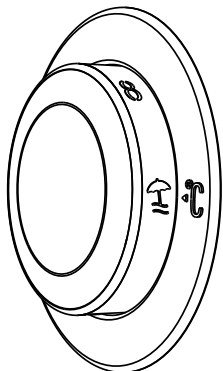
- След като настройката е направена, можете да приберете бутона за настройката, като го натиснете вътре.



5.4. Функция „Ваканция“

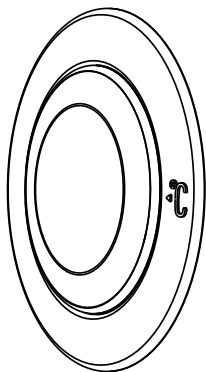
Ако вратата на уреда не е () отворяна най-малко 12 часа след корекциите с бутона за настройка на температурата до най-висока степен, функцията „Ваканция“ се активира автоматично.

За да се отмени функцията, трябва да промените настройките от бутона.



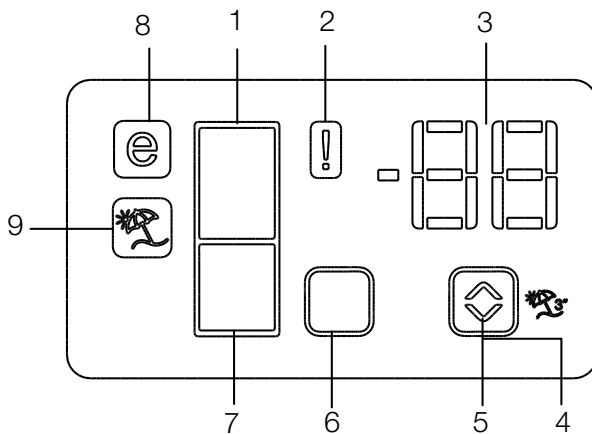
Препоръчително е, при активирана функция „Ваканция“, храните да се съхраняват в по-хладното отделение.

- След като настройката е направена, можете да приберете бутона за настройката, като го натиснете вътре.



5.5. Индикаторен панел

Индикаторните панели могат да се различават в зависимост от модела на Вашия уред. Звучните и визуални функции на индикаторния панел ще съдействат при използване на хладилника.



1. Индикатор на хладилното отделение
2. Грешки на индикатора
3. Температурен индикатор
4. Бутон за функция "Ваканция"
5. Бутон за регулиране на температурата
6. Бутон за избор на отделение
7. Индикатор на фризерното отделение
8. Индикатор за икономичен режим
9. Индикатор на функцията „Ваканция“

*опция



*Опция: Фигурите в това ръководство за експлоатация са проекти и може да не съответстват напълно на Вашия продукт. Ако Вашият продукт не съдържа съответните части, информацията се отнася за други модели.

Използване на продукта

1. Индикатор на хладилното отделение

Лампата на хладилното отделение свети докато се задава температурата на хладилното отделение.

2. Грешка при индикатора

Този показател се активира, ако вашият хладилник не охлажда достатъчно и в случай, когато има неизправност на сензора. Когато индикаторът е активиран, температурният индикатор във фризерното отделение ще изпише "E", а температурният индикатор на хладилното отделение ще изпише номера като "1,2,3...". Тези номера на индикатора дават информация на сервизните техници за грешката.

3. Индикатор на температурата

Отчита температурата в хладилното отделение

4. Бутон на функцията „Ваканция“

За да активирате тази функция, натиснете бутона „Ваканция“ за 3 секунди. Когато функцията „Ваканция“ се активира, „-“ се показва на индикатора за температурата в хладилното отделение и хладилното отделение не се охлажда. Когато тази функция е активирана, не е подходящо да се държи храна в хладилното отделение. Другите отделения продължават да се охлаждат според зададената температура. За да отмените тази функция, натиснете отново бутона Ваканция.

5. Бутон за регулиране на температурата

Променя температурата на съответното отделение между -24°C ... -18°C и 8°C ... 1°C .

6. Бутон за избор на отделение

Бутон за избор: За да превключите между хладилник и фризер, натиснете бутона за избор на отделение.

7. Индикатор на фризерното отделение

Лампата на хладилното отделение свети докато се задава температурата на фризерното отделение.

8. Индикатор за икономичен режим

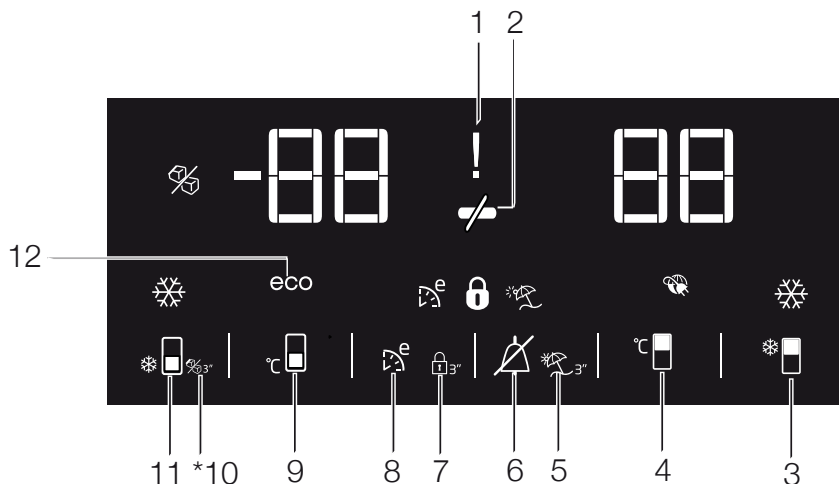
Показва когато хладилникът работи в режим на пестене на енергия. Този дисплей трябва да се задейства, ако температурата на фризерното отделение е настроена на -18°C .

9. Индикатор на функцията „Ваканция“

Отчита, че функцията „Ваканция“ е активирана.

5.6. Индикаторен панел

Индикаторните панели могат да се различават в зависимост от модела на Вашия уред. Звучните и визуални функции на индикаторния панел ще съдействат при използване на хладилника.



1. Спиране на захранването / Висока температура / Предупреждение за грешка

Този индикатор (1) светва, когато спре захранването, температурата е твърде висока и дава предупреждения за грешки. По време на продължително прекъсване на захранването, най-високата температура, която ще се отчете в отделението на фризера ще мига на дигиталния дисплей. След като проверите храната в отделението на фризера (2), натиснете бутона на алармата, за да изчистите предупреждението.

Ако установите, че този индикатор свети, направете справка с раздела „препоръчани средства за отстраняване на проблеми“ от вашето ръководство.

2. Енергоспестяваща функция (изключен дисплей):

Ако вратите на уреда се държат затворени за дълго време, функцията за спестяване на енергия ще се активира автоматично и символът на енергоспестяването ще светне. (3)

Когато енергоспестяващата функция е активирана, всички символи на дисплея, различни от символа за енергоспестяване, ще изгаснат. Ако при активирана енергоспестяваща функция, се натисне някой бутон или се отвори вратата на уреда, енергоспестяващият режим се изключва, а символите на дисплея се показват.

Енергоспестяващата функция се активира по време на доставката от фабриката и не може да бъде отменена.



*Опция: Фигурите в това ръководство за експлоатация са проекти и може да не съответстват напълно на Вашия продукт. Ако Вашият продукт не съдържа съответните части, информацията се отнася за други модели.

Използване на продукта

Този бутон има две функции. Натиснете го за кратко време, за да активирате или деактивирате функцията за бързо охлаждане. Индикаторът за бързо охлаждане ще се изключи и ще се върне към нормалните си настройки. (🔌)



Използвайте функцията за бързо охлаждане, когато искате храната, която е поставена в хладилното отделение да се охлади бързо. Ако желаете да охладите големи количества прясна храна, е препоръчително да активирате тази функция преди да сложите храната в хладилника.



Ако не изключите бързото охлаждане, то ще се изключи от само себе си след 8 часа или когато хладилното отделение достигне нужната температура.



Ако натиснете бутона "Бързо охлаждане" многократно за кратък период от време, защитата от късо съединение ще се включи и компресорът няма се стартира веднага.



Тази функция не се запазва в паметта на хладилника при прекъсване в електрическото хранване.

4. Бутон за температурната настройка във хладилното отделение

Натиснете този бутон, за да настроите температурата в хладилното отделение съответно на 8, 7, 6, 5, 4, 3, 2, 8... Натиснете бутона, за да настроите желаната температура в хладилното отделение. (🔌)

5. Функция „Ваканция“

За да активирате функцията "Ваканция", натиснете и задръжте бутона (🔌) за 3 секунди и режимът на функцията (🌴) ще се активира. Когато функцията „Ваканция“ се активира, " - " се показва на индикатора за температурата в хладилното отделение и

хладилното отделение не се охлажда. Когато тази функция е активирана, не е подходящо да се държи храна в хладилното отделение. Другите отделения продължават да се охлаждат според зададената температура. За да отмените тази функция, натиснете отново бутона Ваканция.

6. Аларма за предупреждение:

В случай на прекъсване на хранването/ аларма за висока температура, след като проверите храната в отделението на фризера, изключете алармата от бутона (🔌), за да изчистите предупреждението.

7. Заклучване на клавишите

Натиснете бутона за заключване (🔒) едновременно за 3 секунди. Символ за заключване на клавишите

(🔒) ще светне и режимът за заключване ще се активира. При активиран режим на заключване, бутоните няма да функционират. Натиснете отново бутона за заключване на клавишите за 3 секунди. Символът за заключване на клавишите ще изгасне и режимът за заключване на клавишите ще се деактивира.

Ако искате да предотвратите промяна на температурните настройки на хладилника, натиснете бутона за заключване на бутоните на хладилника (🔒).

8. Еко охлаждане

Натиснете и задръжте за 1 секунда бутона „Еко охлаждане“, за да активирате функцията за еко охлаждане. Хладилникът ще започне да работи в най-икономичния режим най-малко след 6 часа, а индикаторът за икономична употреба ще се включи, когато функцията е активна (🌱). Натиснете и задръжте за 3 секунда бутона „Еко охлаждане“, за да деактивирате функцията „Еко охлаждане“.

Този индикатор свети 6 часа, след като функцията за еко охлаждане е активирана.

Използване на продукта

9. Бутон за температурната настройка в отделението на фризера

Натиснете този бутон, за да настроите температурата във отделението на фризера съответно на -18, -19, -20, -21, -22, -23, -24, -18...т.н. Натиснете бутона, за да настроите желаната температура в отделението на фризера. (🔧)

10. Индикатор за изключено образуване на лед

Показва, когато образуването на лед е включено или изключено. (❄️). Ако е включено, тогава образуването на лед не работи. За да работи образуването на лед отново, натиснете и задръжте бутона за включено-изключено за 3 секунди.



Когато е избрана тази функция, водният поток от резервоара ще спре. Вече образуваният лед, обаче, може да се извади от отделението.

11. Бутон на функцията за бързо замразяване / бутон за включване-изключване за образуване на лед

Натиснете този бутон, за да активирате или деактивирате функцията за бързо замразяване. Когато активирате функцията, отделението на фризера ще се охлажда до температура по-ниска от зададената стойност. (❄️)

За да включите или изключите образуването на лед, натиснете и го задръжте за 3 секунди.



Използвайте функцията за бързо замразяване, когато искате храната, която е поставена в отделението на фризера да се замрази бързо. Ако желаете да замразите големи количества прясна храна, е препоръчително да активирате тази функция преди да сложите храната в хладилника.



Ако не изключите бързото замразяване, то ще се изключи от само себе си след 4 часа или когато хладилното отделение достигне нужната температура.



Тази функция не се запазва в паметта на хладилника при прекъсване в електрическото захранване.

12. Индикатор за икономична употреба

Показва, че уредът работи в енергийно-ефективен режим. (eco). Този индикатор ще бъде активен, ако температурата на отделение на фризера е настроена на -18 или енергийно ефективното охлаждане се осъществява благодарение на функцията „Еко-Екстра“.



Индикаторът за икономично използване е изключен, когато са избрани функциите за бързо охлаждане или бързо замразяване.

5.7. Кофичка за лед

(опционално)

- Вземете кофичката за лед от фризерното отделение.
- Напълнете кофичката за лед с вода.
- Поставете кофичката за лед във фризерното отделение.
- Ледът ще бъде готов след около два часа. Вземете кофичката за лед от фризерното отделение и я огънете върху съда, в който ще го поставите. Ледът лесно ще изпадне в съда за сервиране.

5.8. Поставка за яйца

Можете да поставите поставката за яйца, по ваш избор, на рафт на вратата или в хладилника. Ако решите да я поставите в хладилника, се препоръчва да се предпочитат рафтовете долу, тъй като там е по-студено.

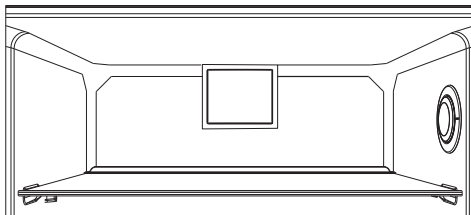


Не поставяйте поставката за яйца във фризерното отделение.

5.9. Вентилатор

Вентилаторът е проектиран да разпространява хомогенно циркулиращия студен въздух във вашия хладилник. Времето на работа на охлаждащия вентилатор може да варира в зависимост от характеристиките на уреда ви.

Докато в някои уреди вентилаторът работи само с компресор, при други системи за контрол се определя време на работа на базата на необходимостта от охлаждане.



5.10. Кош за зеленчуци

(Опционално)

Кошът за зеленчуци е предназначен да пази пресните зеленчуци като запазва влагата. За тази цел, в коша за зеленчуци се засилва общата циркулация на студения въздух.

5.11. Отделение с нулева температура

(Опционално)

Използвайте това отделение, за да запазите деликатесите при по-ниски температури или месните продукти за директна консумация.

Отделението с нулева температура е най-хладното място, където храни като млечни продукти, месо, риба и пилешко месо може да се съхраняват при идеални условия за съхранение. Зеленчуците и/или плодовете не трябва да се поставят в това отделение.

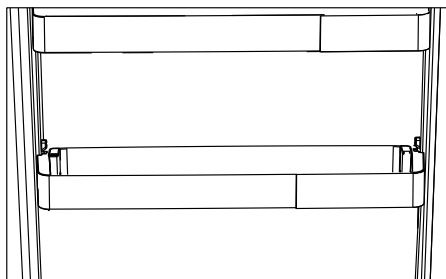
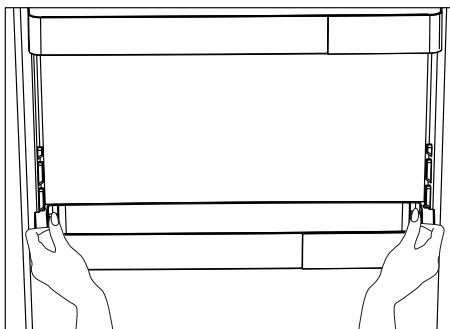
5.12. Подвижни рафтове на вратата (Опционално)

Подвижните рафтове на вратата могат да се поставят на 3 различни позиции.

За да преместите рафт, натиснете равномерно бутоните от страни. Рафтът ще се стане подвижен.

Преместете рафта нагоре и надолу.

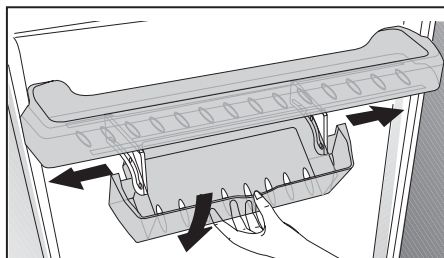
Когато рафтът е в позицията, която вие желаете, освободете бутоните. Рафтът ще бъде закрепен в позицията, при която сте освободили бутоните.



5.13. Плъзгащ се контейнер за съхранение (Опционално)

Този аксесоар е проектиран да увеличи обема на рафтовете на вратата.

Благодарение на способността си да се движи настрани, той ви позволява лесно да поставите висока бутилка, буркан или кутии, които ще поставите в мястото за бутилки по-долу.



Използване на продукта

5.14. Кош за зеленчуци с контролиране на влажността

(Опционално)

С функцията за контрол на влагата, процентът на влажност на зеленчуците и плодовете се контролира и това осигурява свежи храни за по-дълъг период.

Препоръчително е, листните зеленчуци, като марули, спанак и други зеленчуци, склонни към загуба на влага, да се съхраняват не с корените си надолу, а в хоризонтално положение в кош за зеленчуци.

Когато поставяте зеленчуците, поставяйте тежките и твърдите зеленчуци на дъното и леките и меките зеленчуци върху тях, като се взимат предвид специфичните тегла на зеленчуците.

Не оставяйте зеленчуците в кош за зеленчуци в найлонови торбички. Ако оставите зеленчуците в найлонови торби, те ще изгният много бързо. В случаите, когато не е желателен допирът на едни зеленчуци с други, използвайте опаковъчни материали, като например хартия, която има определена шупливост по отношение на хигиената.

Не поставяйте плодове, които отделят газ етилен, като круши, кайсии, праскови и особено ябълки в същия кош за зеленчуци, с другите зеленчуци и плодове. Газът етилен може да бъде причина другите плодове и зеленчуци да узреят по-бързо и да започнат да гният.

5.15. Автоматична машина за лед (Опционално)

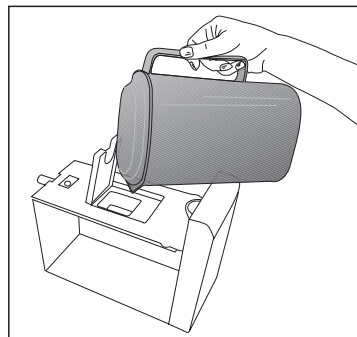
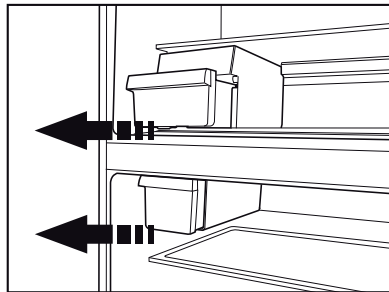
Автоматична машина за лед ви дава възможност лесно да правите лед във вашия хладилник. За да получите лед от машината за лед, извадете резервоара за вода от охладителното отделение, напълнете го с вода и го върнете обратно. Първият лед ще бъде готов след около 2 часа в чекмеджето на машината за лед в охладителното отделение.

След като поставите пълен резервоар с вода, можете да получите около 60-70 кубчета лед.

Ако водата в резервоара е престояла 2-3 седмици, трябва да я смените.



В продукти с автоматична машина за лед, когато се изсипва леда, можете да чуете звук. Този звук е нормално нещо и не е сигнал за тревога.



Използване на продукта

5.16. Icematic и контейнер за съхранение на лед

*опция

Употреба на Icematic

Напълнете Icematic с вода и го поставете в гнездото му. Ледът ще бъде готов след около 2 часа. Не сваляйте Icematic от гнездото му при вземането на леда.

Завъртете копчетата на клетките за лед на 90 градуса.

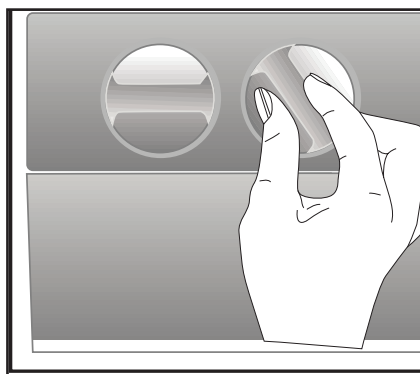
Кубчетата лед от клетките ще изпаднат в контейнера за съхранение на лед отдолу.

Може да извадите контейнера за съхранение на лед и да сервирате кубчетата лед.

Ако желаете може да запазите кубчетата лед в контейнера за съхранение на лед.

Контейнер за съхраняване на лед

Контейнерът за съхранение на лед е предназначен единствено за събиране на кубчета лед. Не сипвайте вода в него. В противен случай той ще се счупи.



5.17. Употреба на водния диспенсър

*опция



Нормално е първите няколко чаши вода, сипани от диспенсера да са топли.

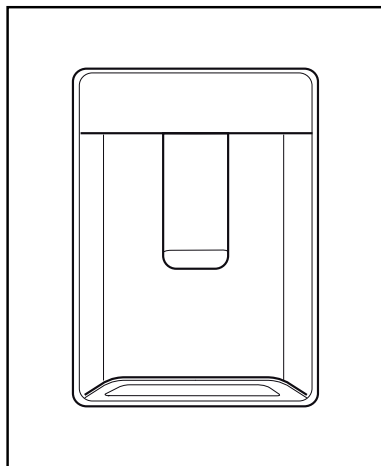


Ако водният диспенсър не е използван дълго време, изхвърлете първите няколко чаши вода, докато не получите свежа вода.

1. Натиснете ръчката на диспенсера с чашата си. Ако използвате мека пластмасова чаша, ще ви е по-лесно да натиснете ръчката с ръка.
2. След като напълните чашата до нивото, което желаете, освободете ръчката.



Моля забележете, че водната струя зависи от натиска, който оказвате на ръчката. Когато водното ниво в порцелановата / стъклена чаша се покачи, леко намалете натиска върху ръчката, за да избегнете разлив на вода. Ако натиснете леко ръчката, водата ще протече; това е съвсем нормално, а не дефект.



5.18. Пълнене на резервоара на диспенсъра за вода

Резервоарът за пълнене с вода се намира вътре при стелажите на вратата.

1. Отворете капака на резервоара.
2. Напълнете резервоара с прясна питейна вода.
3. Затворете капака.



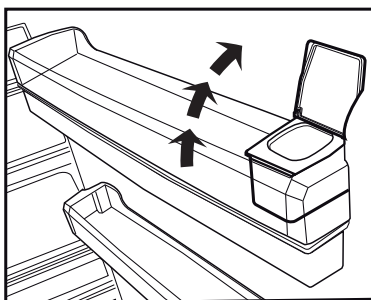
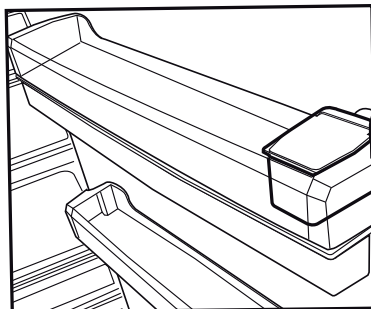
Не пълнете водния резервоар с никакви други течности освен вода, като например плодови сокове, газирани напитки или алкохол - те не са подходящи за водния диспенсър. Той ще се повреди непоправимо ако го използвате за този вид течности. Гаранционното обслужване не покрива повреди от такава употреба. Някои химически вещества и добавки, съдържащи се в тези напитки/течности може да повреди водния резервоар.



Използвайте само чиста питейна вода.



Резервоарът за вода има капацитет 3 литра; не го препълвайте.



Използване на продукта

5.19. Почистване на резервоара за вода

1. Извадете резервоара за вода от стелажите на вратата.
2. Премахнете стелажите на вратата като ги държите от двете страни.
3. Хванете резервоара за вода и от двете страни и го извадете под ъгъл от 45°C.
4. Отворете капака на резервоара и почистете резервоара.



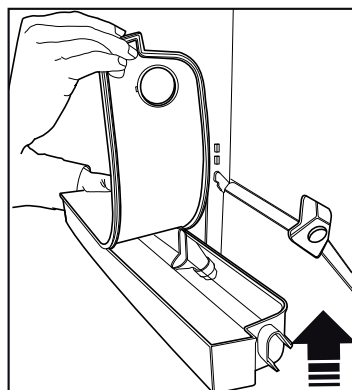
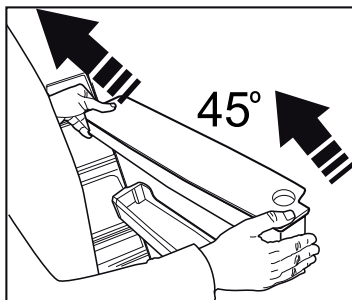
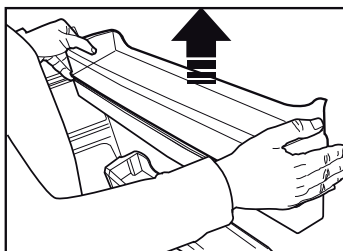
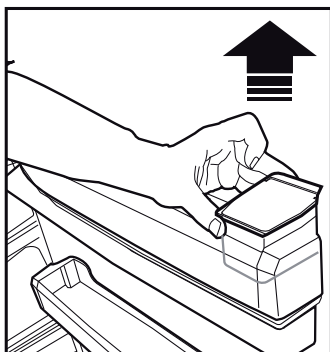
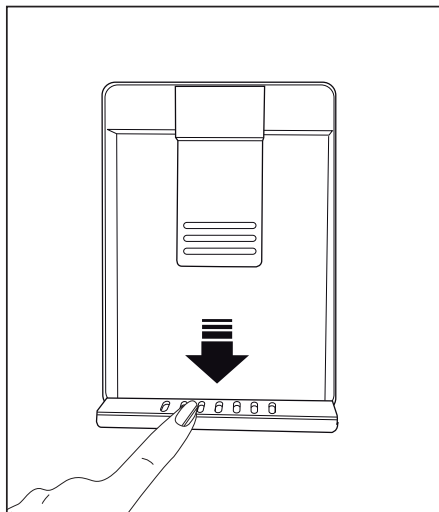
Частите на водния резервоар и на диспенсера не бива да се мият в съдомиялна машина.

5.20. Тавичка за оттичане

Водата, която капе при използването на диспенсера се събира в оттичащата тава.

Отстранете пластмасовия филтър, както е показано на фигурата.

Отстранете водата, която се е събрала, с чиста и суха кърпа.



Използване на продукта

5.21. Замразяване на прясна храна

- За да запазите качеството на храната, хранителните продукти във фризерното отделение трябва да се замразят възможно най-бързо, използвайки функцията за бързо замразяване.
- Замразяването на пресни хранителни продукти ще удължи времето им за съхранение във фризерното отделение.
- Опаковайте хранителните продукти в херметически затворени опаковки и запечатайте плътно.
- Уверете се, че хранителните продукти са опаковани, преди да ги поставите във фризера. Използвайте държките на фризера, станиол и влагоустойчива хартия, пластмасова чанта или подобни опаковъчни материали, вместо традиционната хартия за опаковане.
- Надпишете датата върху всеки хранителен продукт, преди да го замразите. Това ще Ви позволи да определите свежестта на всеки пакет, всеки път когато отворите фризера. Дръжте по-рано замразените продукти в предната част, за да ги използвате първи.
- Замразените хранителни продукти трябва да се използват веднага след размразяване и не трябва да се замразяват отново.
- Не замразявайте големи количества храна наведнъж.

5.22. Препоръки за съхранение на замразена храна

Отделението трябва да се настрои най-малко на -18°C .

1. Поставете хранителните продукти във фризера възможно най-бързо, за да се избегне размразяване.
2. Преди замразяване проверете "Срок на годност" на опаковката, за да се уверите, че не е изтекъл.
3. Уверете се, че опаковката не е повредена

5.23. Подробности за дълбокото замразяване

Съгласно IEC 62552 стандартите, фризерът трябва да е в състояние да замрази 4,5 кг хранителни продукти при -18°C или по-ниски температури в рамките на 24 часа за всеки 100 литра обем на фризерното отделение. Хранителните продукти могат да се запазят само за продължителни периоди от време при температура от -18°C . Можете да запазите хранителните продукти свежи в продължение на месеци (във фризер за дълбоко замразяване при или под 18°C).

Хранителните продукти, които ще се замразяват, не трябва да влизат в контакт с вече замразената храна, за да се избегне частично размразяване. Сварете зеленчуците и филтрирайте водата, за да удължите периода на съхранение. Поставете храната в херметически затворени опаковки след филтриране и поставете във фризера. Банани, домати, маруля, целина, варени яйца, картофи и други подобни хранителни продукти не трябва да се замразяват. Замразяването на тези хранителни продукти просто ще намали хранителната им стойност и хранителните им качества, като е възможно и разваляне, което е вредно за здравето.

Фризер	Хладилник	Описания
-18°C	4°C	Това е препоръчителната настройка по подразбиране.
$-20, -22$ или -24°C	4°C	Тези настройки са препоръчителни за температури на околната среда над 30°C .
Бързо замразяване	4°C	Използвайте, за да замразите бързо хранителните продукти, продуктът ще се върне към първоначалните настройки, когато процесът приключи.
-18°C или по-студено	2°C	Използвайте тези настройки, ако смятате, че хладилното отделение не е достатъчно студено, поради температурата на околната среда или честото отваряне на вратата.

Използване на продукта

5.24. Поставяне на храната

Фризер	Различни замразени стоки, включително месо, риба, сладолед, зеленчуци и т.н.
Хладилник	Хранителни стоки в тенджери и други домакински съдове с капаци, яйца (в покрит съд)
Хладилник	Малка и опакована храна или течности
Отделения за зеленчуци	Плодове и зеленчуци
Прясна храна	Деликатесни храни (закуски, месни продукти, които трябва да се консумират в кратък срок)

5.25. Аларма за отворена врата (Опция)

Ще чуете звуков сигнал, ако вратата на уреда е оставена затворена в продължение на 1 минута. Звуковият сигнал ще спре, когато вратата се затвори или се натисне някой бутон на дисплея (ако е приложимо).

5.26. Вътрешно осветление

Вътрешното осветление е светодиодна лампа. Свържете се с оторизиран сервиз за всякакви проблеми, свързани с тази лампа.

Лампата(ите), използвана(и) в този уред, не е(са) подходяща(и) за осветление на дома. Лампата е предназначена да подпомага потребителя при оставяне на хранителните продукти в хладилника/фризера по безопасен и удобен начин.

5.27. Смяна посоката на отваряне на вратата

Посоката, на която се отваря вратата на хладилника, може да се промени според мястото, на което го използвате. При необходимост се свържете с най-близкия оторизиран сервиз.

6 Поддръжка и почистване

Редовното почистване на продукта ще удължи сервизния му живот.



ПРЕДУПРЕЖДЕНИЕ: Изключете захранването, преди да почистите хладилника.

- Не използвайте остри и абразивни инструменти, сапун, почистващи препарати са дома, детергенти, газ, бензин, лак и други подобни вещества за почистване.
- Разтворете една чаена лъжичка сода бикарбонат във вода. Навлажнете парче плат и изстискайте. Избършете уреда с тази кърпа и подсушете добре.
- Погрижете се върху капака на лампата и другите електрически части да не попадне вода.
- Почистете водата с помощта на влажна кърпа. Извадете всички предмети, за да извадите вратата и рафтовете. Повдигнете рафтовете на вратата, за да ги извадите. Почистете и подсушете рафтовете, след това ги монтирайте отново, плъзгайки ги отгоре.
- Не използвайте хлорна вода или продукти за почистване на външната повърхност и хромираните части на продукта. Хлорът ще предизвика ръжда по тези метални повърхности.

6.1. Предотвратяване на образуване на лоши миризми

Продуктът се произвежда без никакви миризливи материали. Въпреки това съхранението на хранителните продукти в неподходящи секции и неправилното почистване на вътрешните повърхности може да доведе до образуване на лоши миризми. За да избегнете това, почиствайте вътрешността с газирана вода на всеки 15 дни.

- Съхранявайте храната в затворени съдове. Микроорганизмите могат да се разпространят извън незапечатани хранителни продукти и да причинят лоши миризми.
- Да не се съхраняват храни с изтекъл срок на годност и развалени такива в хладилника.

- Не използвайте остри и абразивни инструменти или сапун, домашни почистващи препарати, перилни препарати, бензин, бензол, восъчни и т.н., в противен случай щампите върху пластмасови части ще изчезнат и ще настъпи деформация. Използвайте топла вода и мека кърпа за почистване и подсушаване.

6.2. Защита на пластмасовите повърхности

Разлятото олио върху пластмасовите повърхности може да повреди повърхностите и трябва веднага да се почисти с топла вода.

6.3. Стъкла на вратите

- Свалете предпазното фолио на стъклата.
- Върху повърхността на стъклата има специално покритие. Ова покритие намалява образуването на петна и спомага за по-лесното премахване на възможни петна и мръсотия. Стъклата без такова покритие са изложени на постоянното влияние на органични или неорганични замърсители във въздуха или водата, като например варовик, минерални соли, неогорени въглеводороди, метални оксиди и силикони, които лесно и бързо водят до петна и материални щети. Поддържането на стъклото чисто е много трудно дори и при редовно почистване. В следствие на това изгледът и прозрачността на стъклото се съсипва. Груби и абразивни методи и материали за почистване усилват тези дефекти и засилват процесът на разлагане.
- За редовно почистване трябва да се използват неалкални и неабразивни почистващи препарати на водна основа.
- За почистване трябва да се ползват неалкални неабразивни материали с цел удължаване оперативния живот на това покритие.
- Стъклата са закалени за да се увеличат тяхната устойчивост срещу ведно влияние и счупване.
- Задните повърхности също са покрити с предпазен слой като допълнителна предпазна мярка при счупване с цел предпазване на околните части.
- *Алкалите са основи, които образуват хидроксидни йони (OH⁻) когато се разтворят във вода.
- Металите Li (литий), Na (натрий), K (калий) Rb (рубидий), Cs (цезий) и изкуствения радиоактивен Fr (франций) се наричат АЛКАЛНИ МЕТАЛИ.

7 Отстраняване на неизправности

Проверете този списък, преди да се свържете със сервиза. Това ще Ви спести време и пари. Този списък включва честите оплаквания, които не са свързани с дефектна изработка или материали. Някои функции, споменати тук, може да не са валидни за вашия продукт.

Хладилникът не работи.

- Щепселът не е влезнал добре. >>> Включете го, за да влезе напълно в контакта.
- Предпазителят, свързан към гнездото за хранване на продукта или на главния предпазител, е изгорял. >>> Проверете предпазителите.

Кондензацията на страничната стена на хладилното отделение (MULTI ZONE, COOL, CONTROL и FLEXI ZONE).

- Околната среда е твърде студена. >> Не монтирайте продукт в среда с температура под -5°C.
- Вратата се отваря твърде често >>> Внимавайте да не отваряте вратата твърде често.
- Околната среда е твърде влажна. >>> Не инсталирайте продукта във влажна околна среда.
- Храните, съдържащи течности, се съхраняват в незапечатани съдове. >>> Съхранявайте храните, съдържащи течности, в затворени съдове.
- Вратата на уреда е оставена отворена. >>> Не дръжте вратата на уреда отворена за дълго време.
- Термостатът е настроен на твърде ниска температура. >>> Настройте термостата на подходяща температура.

Компресорът не работи.

- В случай на внезапно прекъсване на хранването или издърпване щепсела на хранването и повторното му включване, налягането на газа в охладителната система на продукта не е балансиран, което задейства термична защита на компресора. Продуктът ще се рестартира след около 6 минути. Ако продуктът не се рестартира след този период, свържете се със сервиза.
- Размразяването е активно. >>> Това е нормално за напълно автоматичното размразяване на продукта. Размразяването става периодично.
- Продуктът не е включен. >>> Уверете се, че хранващият кабел е включен.
- Неправилна настройка на температурата. >>> Изберете подходящата настройка на температурата.
- Хранването е изключено. >>> Продуктът ще продължи да работи нормално след възстановяване на хранването.

Работният шум на хладилника се увеличава по време на употреба.

- Работата на продукта може да варира в зависимост от промените на стайната температура. Това е нормално и не е неизправност.

Хладилникът работи твърде често или твърде дълго.

Отстраняване на неизправности

- Новият продукт може да е по-голям от предишния. По-големите продукти ще работят по-дълго.
- Температурата в помещението може да е висока. >>> Продуктът обикновено ще работи по-дълго при висока температура в помещението.
- Продуктът може да е включен наскоро или нов хранителен продукт да е поставен вътре. >>> На продуктът ще му отнеме повече време, за да достигне зададената температура, когато е наскоро включен или в него е поставен нов хранителен продукт. Това е нормално.
- В продукта скоро може да са били поставени големи количества гореща храна. >>> Не поставяйте гореща храна или напитки в хладилника.
- Вратите са отворени често или са били държани отворени дълго. >>> Движещият се вътре топъл въздух ще позволи на продукта да работи по-дълго. Не отваряйте твърде често вратите.
- Вратата на фризера или хладилника може да е открехната. >>> Уверете се, че вратите са напълно затворени.
- Зададената температура може да е твърде ниска. >>> Задайте по-висока температура и изчакайте продукта да достигне настроената температура.
- Шайбата на вратата на хладилника или фризера може да е замърсена, износена, счупена или да не е поставена правилно. >>> Почистете или сменете шайбата. Повредената/ износена шайба на вратата ще доведе до по-продължителна работа на продукта, за да се запази текущата температура.

Температурата във фризера е твърде ниска, но температурата в хладилника е достатъчна.

- Твърде ниска зададена температура във фризерното отделение. >>> Задайте по-висока температура във фризерното отделение и проверете отново.

Температурата в хладилника е твърде ниска, но температурата във фризера е достатъчна.

- Твърде ниска зададена температура в хладилното отделение. >>> Задайте по-висока температура във фризерното отделение и проверете отново.

Съхраняваните в хладилното отделение хранителни продукти са замразени.

- Твърде ниска зададена температура в хладилното отделение. >>> Задайте по-висока температура във фризерното отделение и проверете отново.

Температурата в хладилника или фризера е твърде висока.

- Твърде висока зададена температура в хладилното отделение. >>> Зададената температура в хладилното отделение влияе и на температурата във фризерното отделение. Промяна на температурата на охладителя или фризер отделение и изчакайте, докато температурата на свързаните отделения достигне подходящо ниво.
- Вратите са отворени често или са били държани отворени дълго. >>> Не отваряйте твърде често вратите.
- Вратата може да е открехната. >>> Напълно затворете вратата.
- Продуктът може да е включен наскоро или нов хранителен продукт да е поставен вътре. >>> Това е нормално. На продукта ще му отнеме повече време, за да достигне зададената температура, когато е наскоро включен или в него е поставен нов хранителен продукт.
- В продукта скоро може да са били поставени големи количества гореща храна. >>> Не поставяйте гореща храна или напитки в хладилника.

Отстраняване на неизправности

Разклащане или шум.

- Теренът не е равен или устойчив. >>> Ако продуктът се тресе, когато се премества бавно, настройте крачетата за балансиране на продукта. Уверете се, че основата е достатъчно устойчива да издържи продукта.
- Всички предмети, поставени върху хладилника, може да предизвика шум. >>> Отстранете всички предмети, поставени върху продукта.

Продуктът издава шум на течаща, изтичаща и пръскаща течност.

- Принципите на функциониране на продукта включват течни и газови потоци. >>> Това е нормално и не е неизправност.

От продукта се чува звук на вятър.

- Продуктът използва вентилатор за процеса на охлаждане. Това е нормално и не е неизправност.

Има конденз по вътрешните стени на продукта.

- Горещото или влажно време ще увеличи леда и конденза. Това е нормално и не е неизправност.
- Вратите са отваряни често или са били държани отворени дълго. >>> Не отваряйте вратите твърде често; ако е отворена, затворете вратата.
- Вратата може да е открехната. >>> Напълно затворете вратата.

Има конденз върху екстериора на продукта или между вратите.

- Времето на околната среда може да е влажно, това е съвсем нормално при влажно време. >>> Кондензът ще се разсее, когато влажността на въздуха намалее.

Интериорът мирише лошо.

- Продуктът не се почиства редовно. >>> Почистете вътрешността редовно, използвайки гъба, топла вода и газирана вода.
- Някои съдове и опаковъчни материали може да предизвикат миризми. >>> Използвайте съдове и опаковъчни материали без мирис.
- Храната е поставена в неправилен съд. >>> Съхранявайте храната в затворени съдове. Микроорганизмите могат да се разпространят извън незапечатани хранителни продукти и да причинят лоши миризми.
- Отстранете всякакви развалени храни или такива с изтекъл срок на годност от продукта.

Вратата не се затваря.

- Хранителните пакети може да блокират вратата. >>> Преместете всички продукти, блокиращи вратите.
- Продуктът не е в изцяло изправено положение върху пода. >>> Настройте крачетата, за да балансирате продукта.
- Теренът не е равен или устойчив. >>> Уверете се, че основата е достатъчно устойчива и равна, за да издържи продукта.

Отделението за зеленчуци е заседнало.

- Хранителните продукти може да са в контакт с горната част на чекмеджето. >>> Преподредете хранителните продукти в чекмеджето.



ПРЕДУПРЕЖДЕНИЕ: Ако проблемът не бъде отстранен, след като следвате инструкциите в този раздел, свържете се с вашия доставчик или с оторизиран сервиз. Не се опитвайте да ремонтирате уреда.



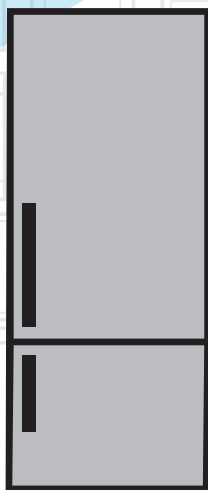
57 5538 0000/AU
4/5
FA-BG



www.beko.com

Refrigerator

User manual



RCNE520E32X
RCNE520E31DW
RCNE520E31DS
RCNE520E31W

RCNE520E31S
RCNE520K21DS
RCNE520K21DW
RCNE520E41ZX

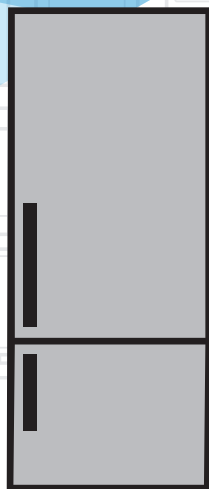
RCNE520E32DJX
RCNE520E30JGB

PT|ES|TR

beko

Frigorífico

Manual do Utilizador



PT |

beko

Caro Cliente,

Gostaríamos que aproveitasse a óptima eficiência do nosso produto, fabricado em modernas instalações seguindo controlos de qualidade meticulosos.

Para este propósito, ler integralmente o guia do utilizador antes de utilizar o produto e manter o guia como fonte de referência. Se ceder este produto a outra pessoa, fornecer este guia em conjunto com o produto.

O guia do utilizador assegura a utilização rápida e segura do produto.

- Ler o guia do utilizador antes de instalar e operar com o produto.
- Observar sempre as instruções de segurança aplicáveis.
- Manter o guia do utilizador em local de fácil acesso para uso futuro.
- Ler quaisquer outros documentos fornecidos com o produto.

Ter em mente que este guia do utilizador é aplicável a vários modelos do produto. O guia indica claramente quaisquer variações de modelos diferentes.

Símbolos e Observações

No guia do utilizador são usados os símbolos seguintes:

	Informações importantes e dicas úteis.
	Risco de vida e do equipamento.
	Risco de choque eléctrico.
	A embalagem do produto é feita com materiais recicláveis, de acordo com a Legislação Ambiental Nacional.

1 Instruções de segurança e ambientais **3**

- 1.1. Segurança geral 3
- 1.1.1 Advertência HC 5
- 1.1.2 Para modelos com dispensador de água 5
- 1.2. Utilização prevista 6
- 1.3. Segurança das crianças 6
- 1.4. Em conformidade com a Directiva REEE e Eliminação de Resíduos 6
- 1.5. Em conformidade com a Directiva RSP. 6
- 1.6. Informação da embalagem 7

2 O seu aparelho **8**

3 Instalação **9**

- 3.1. Local de instalação apropriado 9
- 3.2. Instalar os calços de plástico 9
- 3.3. Ajustar os pés 9
- 3.4. Ligação elétrica 10
- 3.5. Inverter as portas 11
- 3.6. Inverter as portas 12

4 Preparação **13**

- 4.1. Coisas a serem feitas para poupar energia 13
- 4.2. Uso inicial 13

5 Operar com o produto **14**

- 5.1. Botão de definição de temperatura . . 14
- 5.2. Congelar rápido 14
- 5.3. Função férias 15
- 5.4. Painel indicador 16
- 5.5. Painel indicador 18
- 5.6. Icematic e caixa de armazenamento de gelo (Opcional). 20
- 5.7. Recipiente para o gelo 21
- 5.8. Suporte para ovos. 21
- 5.9. Ventilador. 21
- 5.10. Gaveta para vegetais 21
- 5.11. Compartimento refrigerador 21

- 5.12. Mover a prateleira da porta 22
- 5.13. Recipiente de armazenamento deslizante 22
- 5.14. Luz azul 22
- 5.15. Gaveta de vegetais com humidade controlada 23
- 5.16. Icematic automático 23
- 5.17. Utilizar a fonte de água fresca 24
- 5.18. Utilizar a fonte de água fresca 24
- 5.19. Encher o depósito do dispensador de água 25
- 5.20. Limpar o depósito de água 26
- 5.21. Tabuleiro para gotas de água. 26
- 5.22. Congelar alimentos frescos 27
- 5.23. Recomendações para preservar alimentos congelados. 28
- 5.24. Informação do congelador 28
- 5.25. Colocar alimentos. 28
- 5.26. Botão para abrir a porta 28
- 5.27. Mudar a direção da abertura da porta 28
- 5.28. Lâmpada de iluminação 28
- 5.29. Recomendações para preservar alimentos congelados. 29
- 5.30. Informação do congelador 29
- 5.31. Colocar alimentos. 29
- 5.32. Botão para abrir a porta 29
- 5.33. Mudar a direção da abertura da porta 29
- 5.34. Lâmpada de iluminação 30

6 Manutenção e limpeza **31**

- 6.1. Evitar maus odores 31
- 6.2. Proteger superfícies de plástico 31
- 6.3. Vidros da Porta 31

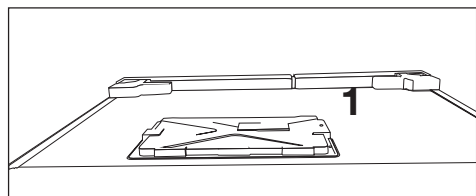
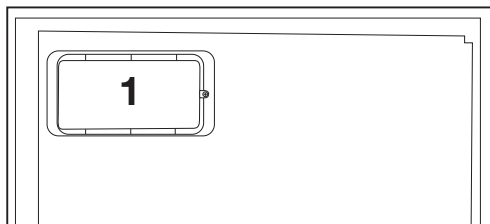
7 Resolução de problemas **32**

Esta secção fornece as instruções de segurança necessárias para prevenir risco de lesões e danos materiais. O não cumprimento destas instruções invalidará todos os tipos de garantia do produto.

1.1. Segurança geral

- Este produto não deve ser usado por pessoas com deficiências físicas, sensoriais e mentais, sem conhecimento e experiência suficiente ou por crianças. O dispositivo apenas pode ser usado por estas pessoas sob supervisão e instrução de uma pessoa responsável pela sua segurança. As crianças não devem ser autorizadas a brincar com este aparelho.
- Em caso de mau funcionamento, desligue o aparelho.
- Depois de desligar, aguarde pelo menos 5 minutos antes de ligar novamente. Desligar o produto quando não está em uso. Não tocar na ficha com as mãos molhadas! Não puxar pelo cabo para desligar, segurar sempre pela ficha.
- Limpar a ponta da ficha eléctrica com um pano seco antes de a ligar.
- Não ligar o frigorífico se a tomada estiver solta.
- Desligar o produto durante a instalação, manutenção, limpeza e reparação.
- Se o produto não for usado por uns tempos, desligar o produto e retirar quaisquer alimentos do interior.
- Não utilizar materiais de limpeza a vapor ou vapor para limpar o frigorífico e derreter o gelo no interior. O vapor pode entrar em contacto com as áreas electrificadas e causar curto-circuito ou choque eléctrico!
- Não lavar o produto pulverizando-o ou deitando água sobre o mesmo! Perigo de choque eléctrico!
- Nunca usar o produto se a secção localizada na parte superior ou traseira do seu produto com placas de circuitos impressos electrónicos no interior estiver aberta (tampa da placa de circuito electrónico impresso) (1).

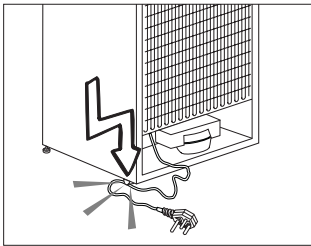
Instruções de segurança e ambientais



- Em caso de mau funcionamento, não usar o produto, porque pode provocar um choque eléctrico. Contactar a assistência autorizada antes de fazer alguma coisa.
- Ligar o produto a uma tomada com ligação à terra. A ligação à terra deve ser feita por um electricista qualificado.
- Se o produto tem luz tipo LED, contactar a assistência autorizada para substituir ou em caso de quaisquer problemas.
- Não tocar em alimentos congelados com as mãos molhadas! Podem aderir às suas mãos!
- Não colocar líquidos em garrafas e latas no compartimento de congelação. Podem explodir!
- Colocar os líquidos em posição vertical depois de fechar a tampa firmemente.
- Não pulverizar substâncias inflamáveis perto do produto, podem incendiar ou explodir.
- Não manter no frigorífico materiais inflamáveis e produtos com gás inflamável (sprays, etc.).
- Não colocar recipientes com líquidos em cima do produto. Pulverizar água sobre as partes eléctricas pode causar choque eléctrico e risco de incêndio.
- Expor o produto à chuva, neve, sol e vento pode causar perigo eléctrico. Quando recolocar o produto, não puxar pelo puxador da porta. O puxador pode soltar-se.
- Ter cuidado para evitar prender qualquer parte das suas mãos ou corpo em alguma das partes móveis dentro do produto.

Instruções de segurança e ambientais

- Não pisar ou apoiar-se nas portas, gavetas e peças similares do frigorífico. Isto pode causar avaria do produto e danificar as partes.
- Ter cuidado para não prender o cabo de alimentação.



1.1.1 Advertência HC

Se o produto inclui um sistema de refrigeração com gás R600a, ter cuidado para não danificar o sistema de arrefecimento e a sua tubagem durante a utilização e movimentação do produto. O gás é inflamável. Se o sistema de refrigeração estiver danificado, manter o produto longe de fontes de ignição e ventilar imediatamente o espaço onde o frigorífico se encontra..



A etiqueta no lado esquerdo interior indica o tipo de gás usado no produto.

1.1.2 Para modelos com dispensador de água

- A pressão para a entrada de água fria deve ser no máximo de 90 psi (6,2 bar). Se a sua pressão de água exceder 80 psi (5,5 bar), utilize uma válvula limitadora de pressão no seu sistema de alimentação. Se não sabe como verificar a sua pressão de água, deve solicitar a ajuda de um canalizador profissional.
- Se existir o risco de o golpe de ariete afetar a sua instalação, deve utilizar sempre um equipamento de prevenção do golpe de ariete na sua instalação. Deve consultar os canalizadores profissionais se não tiver a certeza se existe o efeito de golpe de ariete na sua instalação.
- Não instalar na entrada de água quente. Deve tomar precauções relativamente

Instruções de segurança e ambientais

ao risco de congelamento nas tubagens. O intervalo de funcionamento de temperatura da água deve ser 33°F (0,6°C) de mínimo e 100°F (38°C) de máximo.

- Usar apenas água potável.

1.2. Utilização prevista

- Este produto é concebido para utilização doméstica. Não está previsto para utilização comercial.
- O produto deve ser utilizado apenas para armazenar alimentos e bebidas.
- Não manter no frigorífico produtos sensíveis que requerem temperaturas controladas (vacinas, medicamentos sensíveis ao calor, equipamentos médicos, etc.).
- O fabricante não assume responsabilidades por qualquer dano devido a uso indevido ou inadequado.
- O tempo de vida do produto é de 10 anos. As peças sobresselentes necessárias ao funcionamento do produto estarão disponíveis durante o referido período de tempo.

1.3. Segurança das crianças

- Manter os materiais de embalagem fora do alcance das crianças.
- Não permitir que as crianças brinquem com o produto.
- Se a porta do produto incluir uma fechadura, manter a chave fora do alcance das crianças.

1.4. Em conformidade com a Directiva REEE e Eliminação de Resíduos

Este produto está em conformidade com a Directiva UE REEE (2012/19/UE). Este produto tem um símbolo de classificação de resíduos de equipamentos eléctricos e electrónicos (REEE).



Este produto foi fabricado com peças de alta qualidade e materiais que podem ser reutilizados e são adequados para reciclagem. Não eliminar os resíduos como resíduos domésticos normais ou outros no

fim da vida útil. Colocar no centro de recolha para a reciclagem de equipamentos eléctricos e electrónicos. Consultar as autoridades locais para indicação destes centros de recolha.

1.5. Em conformidade com a Directiva RSP

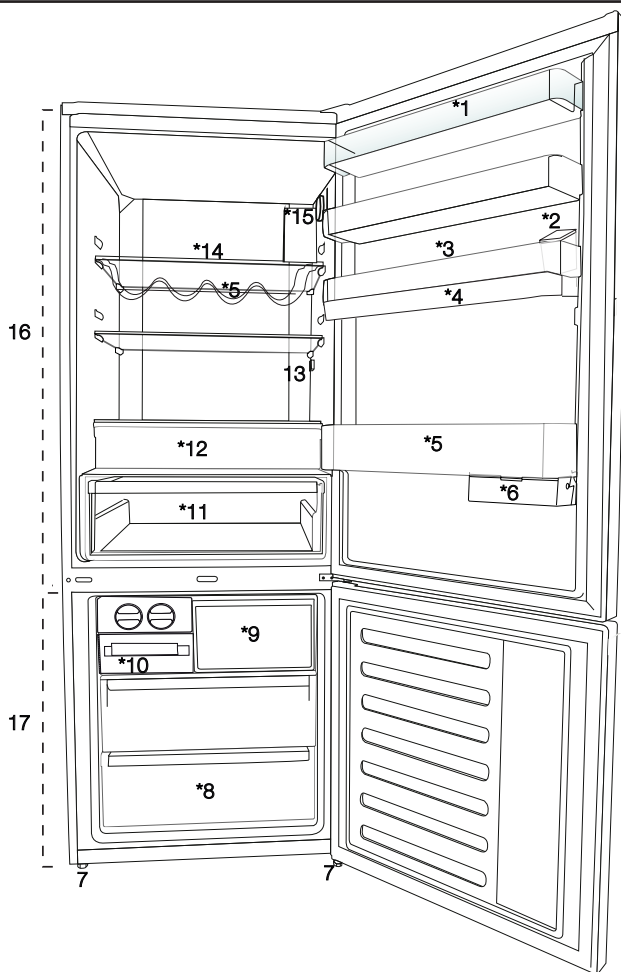
- Este produto está em conformidade com a Directiva UE REEE (2011/65/UE). Não contém materiais nocivos e proibidos especificados na Directiva.

Instruções de segurança e ambientais

1.6. Informação da embalagem

- Os materiais de embalagem do produto são fabricados com materiais recicláveis de acordo com os nossos Regulamentos Ambientais Nacionais. Não eliminar os materiais de embalagem junto com lixos domésticos ou outros. Colocar nos pontos de recolha de material de embalagem designados pelas autoridades locais.

2 O seu aparelho



1. Prateleira da porta do compartimento do frigorífico
2. Reservatório de enchimento do dispensador de água
3. Secção dos ovos
4. Reservatório do dispensador de água
5. Prateleira para garrafas
6. Recipiente deslizante para armazenamento
7. Pés ajustáveis
8. Compartimento do congelador
9. Compartimento de congelação rápida
10. Tabuleiro para cubos de gelo e banco de gelo
11. Recipiente para vegetais
12. Compartimento zero graus
13. Luz interior
14. Prateleira de vidro do compartimento do frigorífico
15. Botão de ajuste da temperatura
16. Compartimento do frigorífico
17. Compartimento do congelador



***opcional:** As figuras neste manual do utilizador são dadas como um exemplo e podem não coincidir exatamente com o produto. Se as partes relevantes não estão disponíveis no produto que comprou, a figura aplica-se a outros modelos.

3 Instalação

3.1. Local de instalação apropriado

Contactar uma Assistência Autorizada para a instalação do produto. De modo a preparar o produto para utilização, consultar a informação no manual do utilizador e assegurar que a instalação elétrica e a instalação de água são apropriadas. Se não, chamar um electricista e técnico qualificados para realizarem quaisquer arranjos necessários.

	ADVERTÊNCIA: O fabricante não será responsabilizado por danos que possam surgir a partir de procedimentos realizados por pessoas não autorizadas.
	ADVERTÊNCIA: O produto não deve ser ligado à tomada durante a instalação. Caso contrário, há o risco de morte ou lesão grave!
	ADVERTÊNCIA: Se o afastamento da porta da divisão onde o produto deve ser colocado for tão apertado impeça a passagem do produto, remover a porta da divisão e passar o produto pela porta girando-o para o seu lado; se isto não funcionar, contactar a assistência autorizada.

- Colocar o produto numa superfície de chão plana para evitar sacudidas.
- Instalar o produto afastado pelo menos 30 cm de fontes de calor tais como fogões, núcleos de aquecedores e fornos e pelo menos a 5 cm de fornos elétricos.
- O produto não deve ser exposto à luz solar direta e mantido em locais húmidos.
- Deve ser proporcionada ventilação de ar apropriada à volta do seu produto de modo a alcançar um funcionamento eficiente. Se o produto for colocado num encaixe na parede, ter em atenção para deixar pelo menos 5 cm de distância ao teto e paredes laterais.
- Não instalar o produto em locais onde a temperatura desça abaixo de -5°C .

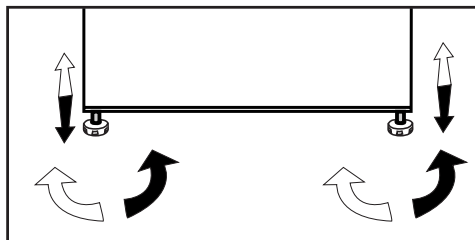
3.2. Instalar os calços de plástico

Os calços de plástico fornecidos com o produto são usados para criar a distância para a circulação de ar entre o produto e a parede de trás.

1. Para instalar os calços, retirar os parafusos no produto e usar os parafusos fornecidos em conjunto com os calços.
2. Inserir os 2 calços de plástico na tampa de ventilação de trás como mostrado na figura.

3.3. Ajustar os pés

Se o produto ficar desequilibrado depois da instalação, ajustar os pés da frente rodando-os para a esquerda ou direita.



Instalação

3.4. Ligação elétrica

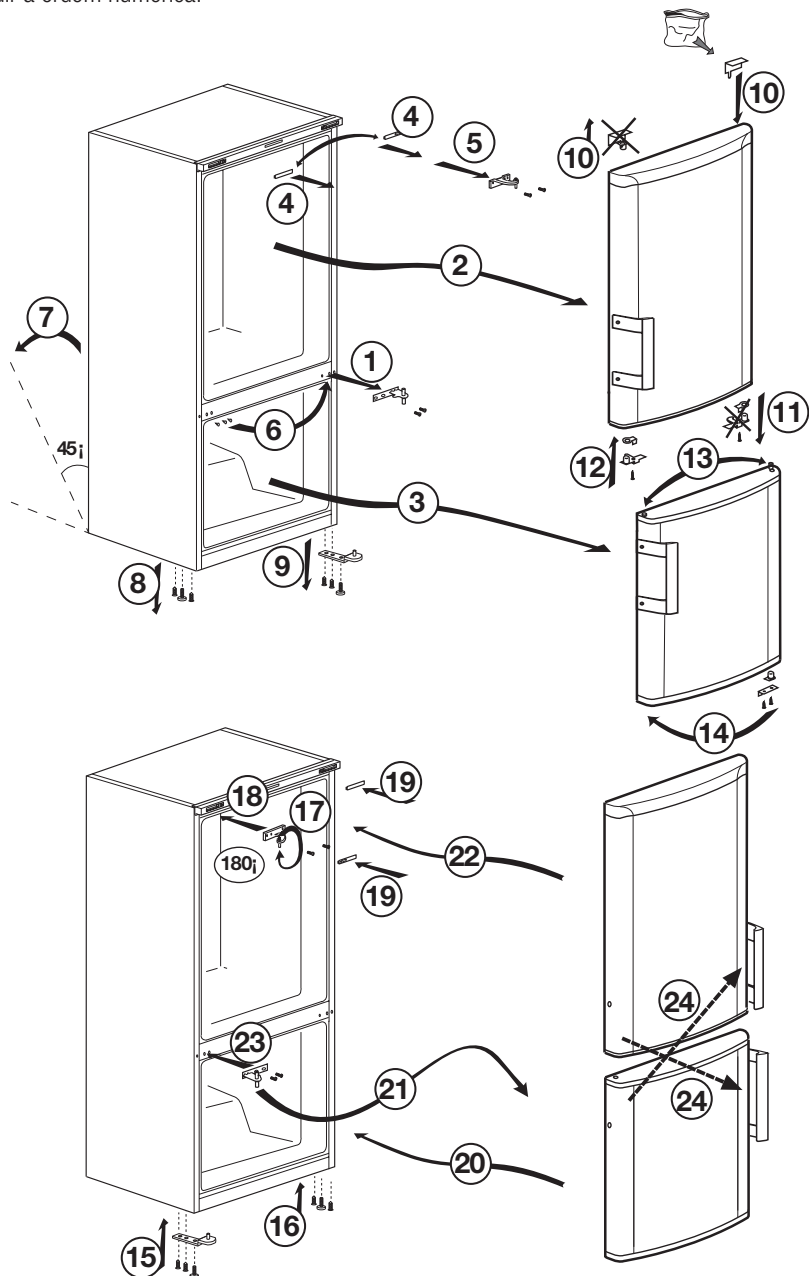
	ADVERTÊNCIA: Não fazer ligações através de cabos de extensão ou fichas múltiplas.
	ADVERTÊNCIA: O cabo de alimentação danificado deve ser substituído pelo Agente de Assistência Autorizado.
	Se dois refrigeradores são para ser instalados lado a lado, deve haver pelo menos 4 cm de distância entre eles.

- A nossa empresa não será responsável por quaisquer danos que possam ocorrer quando o produto for usado sem ligação à terra e elétrica em conformidade com os regulamentos nacionais.
- A ficha do cabo de alimentação deve ser de fácil acesso após a instalação.
- Ligar o seu frigorífico a uma tomada ligada à terra classificada para um valor de tensão de 220-240V /50 Hz. A tomada deve ter um fusível de 10 a 16A.
- Sem cabos de extensão ou tomadas múltiplas sem cabo entre o seu produto e a tomada da parede.

Instalação

3.5. Inverter as portas

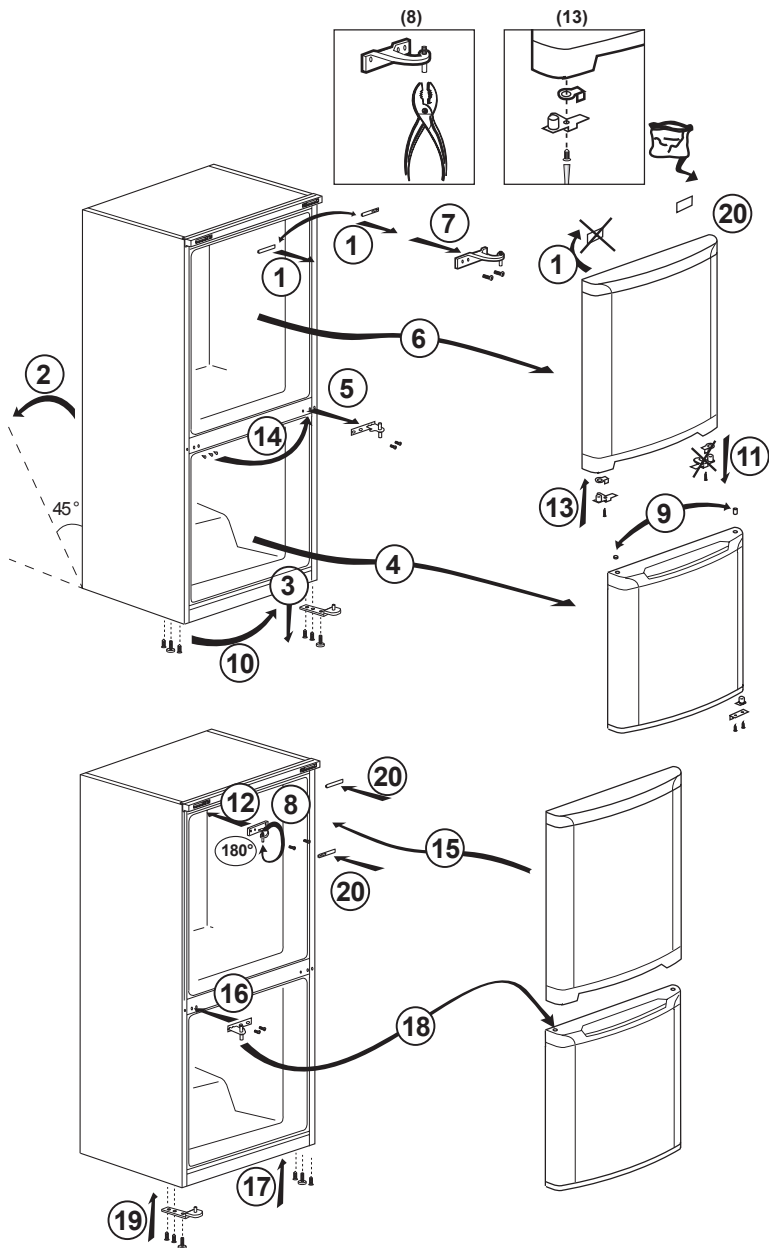
Seguir a ordem numérica.



Instalação

3.6. Inverter as portas

Seguir a ordem numérica.



4 Preparação

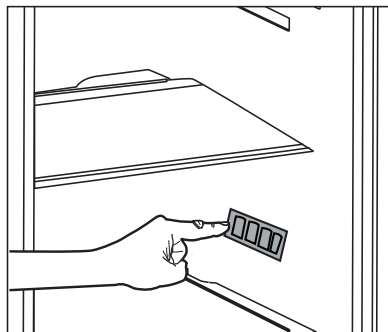
4.1. Coisas a serem feitas para poupar energia



Ligar o produto a sistemas eletrónicos de poupança de energia é arriscado pois podem danificar o produto.

- Não deixar as portas do seu frigorífico abertas por muito tempo.
- Não colocar alimentos ou bebidas quentes no seu frigorífico.
- Não sobrecarregar o frigorífico, a capacidade de arrefecimento falhará quando a circulação de ar interior for impedida.
- De modo a armazenar a quantidade máxima de alimentos no compartimento frigorífico, o Icmatic, disponível no compartimento congelador e facilmente removível à mão, deverá ser retirado. Os valores declarados de volume líquido e consumo de energia declarados na placa de dados de energia do seu frigorífico são medidos e testados retirando o Icmatic. Não retirar as prateleiras do interior do compartimento congelador e na porta do compartimento congelador não devem ser removidas e devem ser sempre usadas pois proporcionam facilidade de utilização e eficiência no consumo de energia.
- O fluxo de ar não deve ser bloqueado colocando alimentos nas laterais do ventilador do compartimento do congelador. Deve ser disponibilizada uma distância mínima de 3 cm nas laterais da tampa protetora do ventilador.
- Os cestos/gavetas que são fornecidos com o compartimento para os frescos têm de ser sempre utilizados para um menor consumo de energia e para melhores condições de armazenamento.
- O contacto dos alimentos com o sensor de temperatura no compartimento do congelador pode aumentar o consumo de energia do aparelho. Assim deve ser evitado qualquer contacto com o(s) sensor(es).
- Dependendo das características de seu produto, o descongelamento de alimentos congelados no compartimento frigorífico irá proporcionar a poupança de energia e preservar a qualidade dos alimentos.

- Não permitir o contacto de alimentos com o sensor de temperatura do compartimento frigorífico exibido na figura abaixo.



4.2. Uso inicial

Antes de começar a usar o seu frigorífico, assegurar que todos os preparativos são feitos de acordo com as instruções nas secções "Instruções de segurança e ambientais" e "Instalação".

- Pôr o produto a trabalhar sem quaisquer alimentos durante 6 horas e não abrir a porta, a menos que absolutamente necessário.



Ouvirá um ruído quando o compressor arrancar. Os líquidos e gases vedados no sistema de refrigeração podem também dar origem a ruídos, mesmo se o compressor não estiver a funcionar o que é perfeitamente normal.



As extremidades dianteiras do produto podem ficar quentes. Isto é normal. Estas áreas são concebidas para aquecer para evitar a condensação.

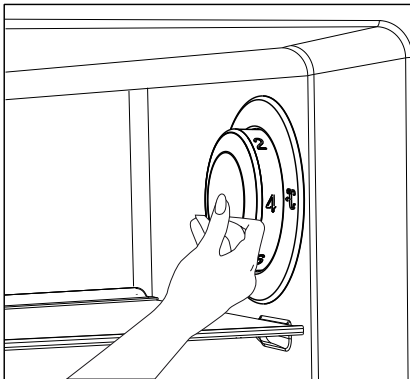


Em alguns modelos, o painel de instrumentos desliga automaticamente 5 minutos depois de a porta ser fechada. Será reativado quando a porta for aberta ou premeida qualquer tecla.

5.1. Botão de definição de temperatura

A temperatura interior do seu frigorífico altera-se pelas seguintes razões:

- Temperaturas sazonais,
- Abertura frequente da porta e deixar a porta aberta por períodos longos,
- Alimentos postos no frigorífico sem arrefecer à temperatura da divisão,
- Localização do frigorífico na divisão (p.ex. exposto à luz solar).
- Deve ajustar a variação da temperatura interior devido a tais razões usando o botão de definição.
- Os números à volta do botão de controlo indicam os valores da temperatura em "°C".
- Se a temperatura ambiente for 25°C, recomendamos que use o botão de controlo de temperatura do seu frigorífico a 4°C. Este valor deve ser aumentado ou diminuído se necessário noutras temperaturas de ambiente.

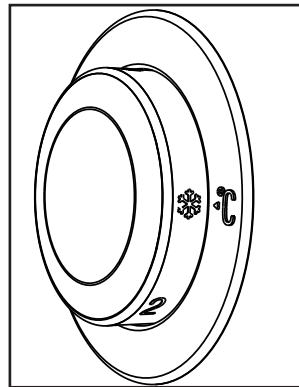


5.2. Congelar rápido

Se foram congeladas grandes quantidades de alimentos frescos, ajustar o botão de controlo de temperatura para (❄️) máx. 24 horas antes de pôr os alimentos frescos no compartimento de congelamento rápido.

É fortemente recomendado manter o botão nesta posição pelos menos 24 horas para congelar a quantidade máxima de alimentos frescos declarados como capacidade de congelamento. Ter especial cuidado para não misturar alimentos congelados e alimentos frescos.

Lembrar de rodar o botão controlo de temperatura de volta à sua posição anterior, uma vez os alimentos congelados.



***Opcional:** As figuras neste manual do utilizador são esquemáticas e podem não coincidir exatamente com o produto. Se as partes sujeitas não estão incluídas no produto que comprou, então essas partes são válidas para outros modelos.

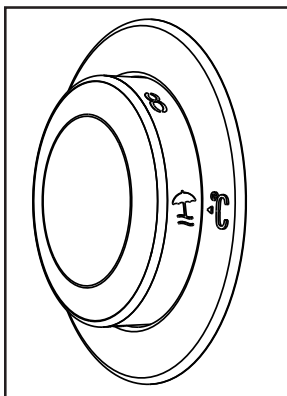
Operar com o produto

5.3. Função férias

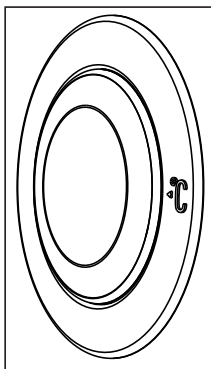
Se as portas do produto não forem abertos durante 12 horas após o botão de controlo de temperatura ser mudado para o posição mais quente, então a função de férias será ativada automaticamente.

Para cancelar a função, mudar a definição do botão.

Não é recomendado armazenar alimentos no compartimento frigorífico quando a função de férias está ativa.



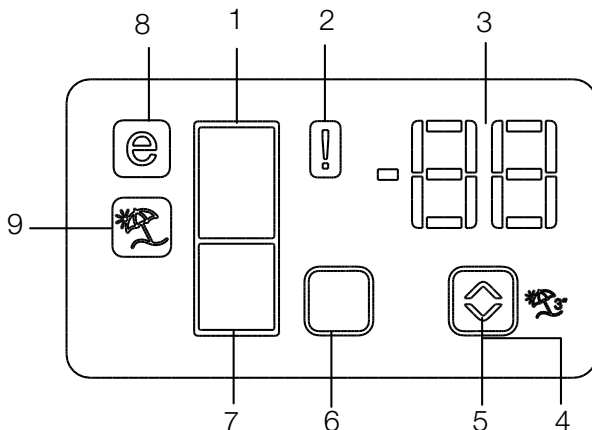
- Quando a operação de definição estiver concluída, deve premir o botão de controlo de temperatura e escondê-lo.



Operar com o produto

5.4. Painel indicador

Os painéis indicadores podem variar de acordo com o modelo do produto.
As funções áudio e vídeo do painel indicador irão ajudar na utilização do produto.



1. Indicador do compartimento congelador
2. Indicador do estado do erro
3. Indicador da temperatura
4. Botão da função férias
5. Botão de definição de temperatura
6. Botão de seleção de compartimento
7. Indicador do compartimento frigorífico
8. Indicador do modo económico
9. Indicador da função férias

***opcional**



***Opcional:** As figuras neste manual do utilizador são esquemáticas e podem não coincidir exatamente com o produto. Se as partes sujeitas não estão incluídas no produto que comprou, então essas partes são válidas para outros modelos.

Operar com o produto

1. Indicador do compartimento congelador

A luz do compartimento do frigorífico ilumina-se quando a temperatura do compartimento congelador é definida.

2. Indicador do estado do erro

Se o frigorífico não produz frio suficiente ou no caso de falha do sensor, este indicador é ativado. Quando o indicador é ativado, é exibido "E" no indicador de temperatura do compartimento congelador, e números como "1,2,3..." são exibidos no indicador de temperatura do compartimento frigorífico. Estes números no indicador servem para informar o pessoal da assistência sobre o erro.

3. Indicador da temperatura

Indica congelador, temperatura do compartimento frigorífico.

4. Botão da função férias

Premir o botão férias durante 3 segundos para ativar esta função. Quando a função férias é ativada, "- -" é exibido no indicador de temperatura do compartimento frigorífico e não é realizado arrefecimento ativo no compartimento frigorífico. Não é adequado manter os alimentos no compartimento do frigorífico quando esta função é ativada. Outros compartimentos continuarão a ser arrefecidos conforme a temperatura definida.

Para cancelar esta função premir de novo o botão **Férias**.

5. Botão de definição de temperatura

Altera a temperatura do compartimento relevante entre -24°C... -18°C e 8°C...1°C.

6. Botão de seleção de compartimento

Botão de seleção: Premir o botão de seleção do compartimento para alterar entre compartimentos frigorífico e congelador.

7. Indicador do compartimento frigorífico

A luz do compartimento do frigorífico ilumina-se quando a temperatura do compartimento frigorífico é definida.

8. Indicador do modo económico

Indica que o frigorífico funciona em modo de poupança de energia. Este visor será ativado se a temperatura do compartimento congelador for definida para -18°C.

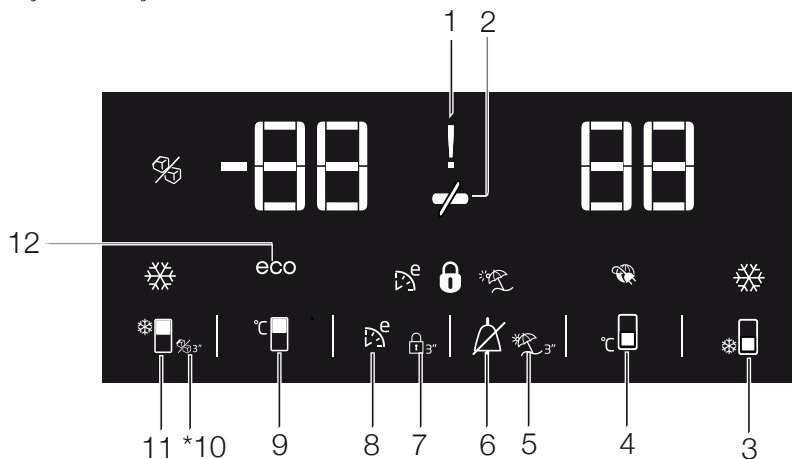
9. Indicador da função férias

Indica que férias está ativada.

Operar com o produto

5.5. Painel indicador

O painel indicador permite-lhe definir a temperatura e controlar as outras funções relativas ao produto sem abrir a porta do produto. Premir apenas as inscrições nos botões relevantes para definições de função.



1. Indicador de falha de energia / temperatura elevada / aviso de erro

Este indicador (🔌) acende-se durante falhas de energia, falhas devidas a alta temperatura e avisos de erro. Durante falhas de energia continuadas, a temperatura mais alta que o compartimento do congelador alcançará piscará no mostrador digital. Depois de verificar os alimentos localizados no compartimento do congelador (🔌) pressione o botão de desligar o alarme para eliminar o aviso.

Por favor, consulte a secção “remediação aconselhada para resolução de problemas” no seu manual, se verificar que este indicador está iluminado.

2. Função de poupança de energia (visor desligado)

Se as portas do produto forem mantidas fechadas durante muito tempo, a função de poupança de energia é automaticamente ativada e o símbolo respetivo de poupança de energia ficará aceso. (🔌)

Quando é ativada a função de poupança de energia, todos os símbolos no visor, para além do símbolo de poupança de energia, se desligarão. Quando a função de poupança de energia é ativada, se nenhum botão for pressionado ou se a porta estiver aberta, a função de economia de energia será cancelada e os símbolos no visor irão voltar ao normal.

A função de poupança de energia é ativada durante a entrega da fábrica e não pode ser cancelada.





3. Função de refrigeração rápida

O botão tem duas funções. Prima este botão rapidamente para ativar ou desativar a função Quick Cool (Refrigeração Rápida). O indicador “Quick Cool” desligar-se-á e o produto voltará às suas definições normais.



***Opcional:** As figuras neste manual do utilizador são esquemáticas e podem não coincidir exatamente com o produto. Se as partes sujeitas não estão incluídas no produto que comprou, então essas partes são válidas para outros modelos.

Operar com o produto

	Use a função de arrefecimento rápido quando quiser arrefecer rapidamente os alimentos colocados no compartimento do frigorífico. Se quiser refrigerar grandes quantidades de alimentos frescos, ative esta função antes de colocar os alimentos no frigorífico.
	Se não a cancelar, a refrigeração rápida cancelar-se-á automaticamente após 8 horas ou quando o compartimento do frigorífico atingir a temperatura pretendida.
	Se premir o botão de arrefecimento rápido repetidamente em curtos intervalos, a proteção do circuito eletrónico será ativada e o compressor não arrancará imediatamente.
	Esta função não é reativada quando a energia é restabelecida após alguma falha elétrica.

4. Botão de definição da temperatura do compartimento do refrigerador

Prima este botão para ajustar a temperatura do compartimento do frigorífico para 8, 7, 6, 5, 4, 3, 2, 8... respetivamente. Prima este botão para definir a temperatura pretendida para o compartimento do frigorífico (📱).

5. Função “Vacation” (Férias)

Para ativar a função de férias, mantenha premido este botão (🌴) durante 3 segundos e o indicador de modo de férias (🌴) será ativado. Se a função de férias estiver ativa, aparecerá “- -” no indicador de temperatura do compartimento do frigorífico e não será realizado qualquer arrefecimento ativo no compartimento do frigorífico. Não é adequado manter os alimentos no compartimento do refrigerador quando esta função está ativada. Os outros compartimentos continuarão a ser arrefecidos, de acordo com a temperatura que têm definida.

Para cancelar esta função prima novamente o botão da função Vacation (Férias)

6. Aviso de alarme desligado:

Em caso de alarme de falha de energia/ temperatura elevada, depois de verificar os alimentos localizados na no compartimento do congelador pressione o botão de desligar (🔌) para eliminar o aviso.

7. Bloqueio de teclas

Prima o botão de bloqueio de teclas (🔒) continuamente durante 3 segundos. O símbolo de bloqueio de teclas

(🔒) irá acender-se e o modo de bloqueio de teclas será ativado. Os botões não funcionarão se o modo de Bloqueio de teclas estiver ativo. Prima o botão de bloqueio de teclas continuamente durante 3 segundos. O ícone de bloqueio de teclas apagar-se-á e o modo de bloqueio de tecla ficará inativo.

Pressione o botão de bloqueio de teclas se quiser evitar que se altere a definição de temperatura do frigorífico (🔒).

8. Eco Fuzzy

Pressione e mantenha em baixo o botão Eco Fuzzy durante 1 segundo para ativar a função Eco Fuzzy. Logo a seguir, o frigorífico começará a funcionar no modo mais económico, pelo menos 6 horas depois e o indicador de utilização económica acenderá enquanto a função estiver ativa (🌿). Pressione e mantenha em baixo o botão Eco Fuzzy durante 3 segundos para desativar a função Eco Fuzzy. Este indicador é iluminado após 6 horas quando a função Eco Fuzzy é ativada.

9. Botão de definição da temperatura do compartimento do congelador

Prima este botão para ajustar a temperatura do compartimento do congelador para -18,-19, -20,-21,-22,-23, -24,-18... respetivamente. Prima este botão para definir a temperatura pretendida para o compartimento do congelador. (📱)

10. Indicador Icematic off (desligado)

Indica se a função Icematic está ligada ou desligada. (🌊) Se estiver ligada, a função


Operar com o produto

Icematic não está em operação. Para fazer funcionar o Icematic de novo, pressione e segure o botão On-Off (Ligar/Desligar) durante 3 segundos.



O fluxo de água do reservatório de água será interrompido quando está função for selecionada. No entanto, o gelo já existente pode ser tirado do Icematic.

11. Botão da função “Quick Freeze” / Botão Icematic ligado ou desligado

Prima este botão para ativar ou desativar a função de congelamento rápida. Quanto ativar a função, o compartimento do congelador será arrefecido até uma temperatura mais baixa do que o valor definido. 

Para ligar e desligar o Icematic pressione-o e segure-o durante 3 segundos.



Use a função de congelamento rápido quando quiser congelar rapidamente os alimentos colocados no compartimento do frigorífico. Se quiser congelar grandes quantidades de alimentos frescos, ative esta função antes de colocar os alimentos no frigorífico.



Se não a cancelar, a Congelação Rápida cancelar-se-á automaticamente após 4 horas ou quando o compartimento do frigorífico atingir a temperatura pretendida.



Esta função não é reativada quando a energia é restabelecida após alguma falha elétrica.

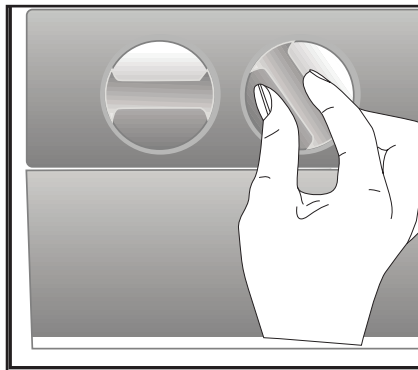
5.6. Icematic e caixa de armazenamento de gelo (Opcional)

Encher o icematic com água e colocar no lugar. O gelo estará pronto aproximadamente duas horas depois. Não retirar o icematic para tirar o gelo.

Rodar os botões nas câmaras de gelo do lado direito em 90°, o gelo cairá para a caixa de armazenamento de gelo por baixo. Pode depois retirar a caixa de armazenamento de gelo e servir o gelo.



A caixa de armazenamento de gelo é concebida apenas para armazenar gelo. Não encher com água. Isto pode fazer com que se parta.



Operar com o produto

5.7. Recipiente para o gelo

- Remover o depósito do gelo do compartimento de congelamento.
- Encher o depósito com água.
- Colocar o depósito do gelo do compartimento de congelamento. Duas horas mais tarde, o gelo está pronto para usar.
- Remover o depósito do gelo do compartimento de congelamento e dobrá-lo sobre uma placa de serviço. Os cubos de gelo cairão com facilidade para a placa de serviço.

5.8. Suporte para ovos

Podem instalar o suporte para ovos na porta pretendida ou na estrutura da prateleira. Se for colocado na estrutura de prateleiras então as prateleiras de refrigeração inferiores são as recomendadas.

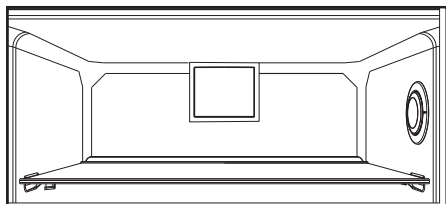


Colocar o depósito do gelo do compartimento de congelamento.

5.9. Ventilador

O ventilador tem a finalidade de assegurar uma distribuição homogênea e circulação do ar frio no interior do seu frigorífico. O tempo de funcionamento do ventilador pode variar dependendo das propriedades do seu produto.

Enquanto o ventilador está a funcionar apenas com o compressor nalguns produtos, o sistema de controlo determina o seu tempo de funcionamento em alguns produtos de acordo com os requisitos de refrigeração.



5.10. Gaveta para vegetais

A gaveta para vegetais do produto destina-se especialmente a manter os vegetais frescos sem que percam a respetiva humidade. Para este efeito, a circulação de ar frio é intensificada de um modo geral em volta da gaveta para vegetais.

5.11. Compartimento refrigerador

(Esta característica é opcional)

Usar este compartimento para armazenar produtos delicados que devem ser armazenados a temperaturas baixas ou produtos de carne que devem ser consumidos num curto espaço de tempo. O compartimento refrigerador é o local mais fresco do seu frigorífico onde pode manter os produtos lácteos, carne, peixe e aves nas condições ideais de armazenamento. As frutas e os vegetais não devem ser armazenados neste compartimento.

Operar com o produto

5.12.Mover a prateleira da porta

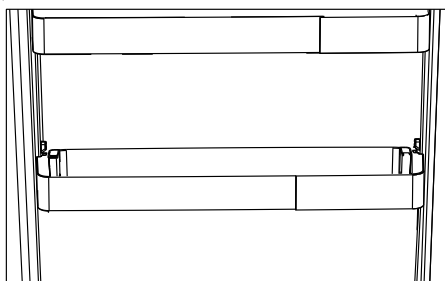
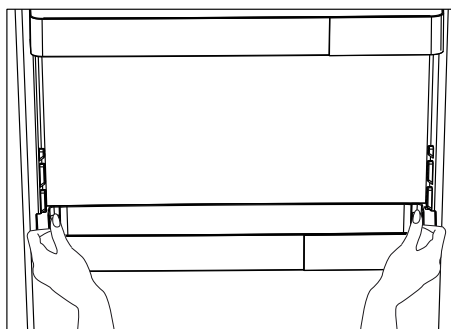
(Esta característica é opcional)

Ao mover a prateleira da porta pode fixá-la em 3 posições diferentes.

Premir os botões mostrados nas partes laterais simultaneamente de modo a mover a prateleira. A prateleira deve ser amovível.

Mover a prateleira para cima ou para baixo.

Soltar os botões quando tiver a prateleira na posição desejada. A prateleira deve ser fixada na posição depois de libertar os botões.

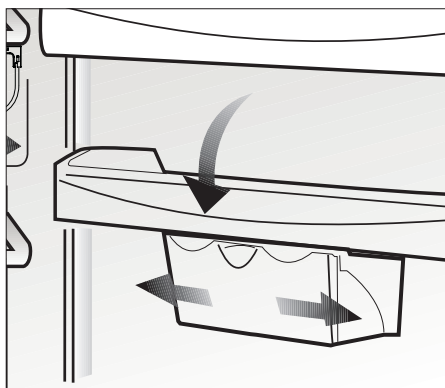


5.13.Recipiente de armazenamento deslizante

(Esta característica é opcional)

Este acessório é concebido para aumentar o volume de utilização das prateleiras da porta.

Permite-lhe com facilidade colocar garrafas mais altas e latas na prateleira de garrafas mais baixas graças à possibilidade de a mover para a direita ou para a esquerda.



5.14.Luz azul

(Esta característica é opcional)

Este acessório é concebido para aumentar o volume de utilização das prateleiras da porta.

Permite-lhe com facilidade colocar garrafas mais altas e latas na prateleira de garrafas mais baixas graças à possibilidade de a mover para a direita ou para a esquerda.

Operar com o produto

5.15. Gaveta de vegetais com humidade controlada

(FreSHelf)

(Esta característica é opcional)

As taxas de humidade dos vegetais e da fruta são mantidas sob controlo com a função de gaveta de vegetais com humidade controlada e os alimentos mantêm-se frescos durante mais tempo.

Recomendamos que coloque os vegetais de folhas como a alface, espinafres e os vegetais que são sensíveis à perda de humidade, na posição horizontal tanto quanto possível dentro da gaveta para vegetais, e não sobre as raízes na posição vertical.

Enquanto os vegetais estão a ser colocados, a gravidade específica dos mesmos deve ser tida em conta. Os vegetais pesados e rijos devem ser colocados na parte de baixo da gaveta para vegetais e os mais leves e macios devem ser colocados por cima.

Nunca deixar os vegetais dentro da gaveta dentro dos sacos. Se os vegetais forem deixados dentro dos sacos respetivos, isso dará origem à decomposição dos mesmos num curto período de tempo. No caso de não se pretender o contacto com outros vegetais por razões de higiene, deve usar papel perfurado ou outro tipo de materiais de embalagem semelhantes em vez do saco. Não colocar juntos peras, alperces, pêsegos, etc. e maçãs em especial as quais têm um elevado nível de geração de gás etileno na mesma gaveta de vegetais com outros vegetais e fruta. O gás etileno que é produzido por estes frutos pode dar origem a que outros frutos amadureçam mais rapidamente e entrem em decomposição num curto espaço de tempo.

5.16. Icematic automático

(Esta característica é opcional)

O Icematic automático permite-lhe fazer gelo com facilidade no frigorífico. Remover o depósito de água no compartimento do frigorífico, encher com água e instalá-lo novamente para obter gelo a partir do Icematic.

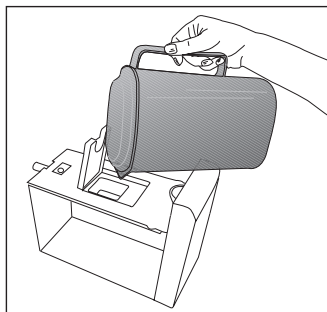
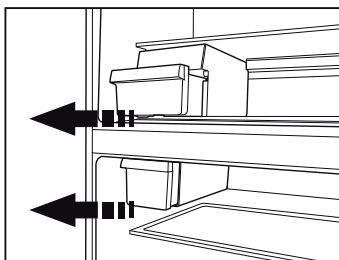
Os primeiros cubos de gelo estarão prontos em aproximadamente 2 horas, na gaveta do Icematic localizada no compartimento do congelador.

Se encher totalmente com água, tem possibilidade de obter aproximadamente 60-70 cubos de gelo.

Substituir a água no depósito da mesma se esta tiver sido colocada no mesmo há cerca de 2-3 semanas.





Para os produtos com Icematic automático, pode ser ouvido um som durante a queda do gelo. Este som é normal e não indício de qualquer erro.




Operar com o produto

5.17.Utilizar a fonte de água fresca

*opcional



	É normal que a água dos primeiros copos retirados do dispensador esteja quente.
	Se o dispensador de água não for usado durante muito tempo, eliminar os primeiros copos de água para obter água limpa.

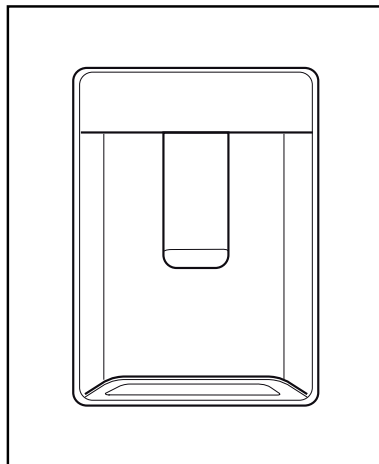
1. Empurrar a alavanca do dispensador de água com o seu copo. Se estiver a usar um copo de plástico macio, empurrar a alavanca com a mão para ser mais fácil.
2. Depois de encher o copo até ao nível pretendido, soltar a alavanca.

	Deve notar que a quantidade do fluxo de água do dispensador depende da velocidade com que solta a alavanca. À medida que o nível de água na sua taça/copo aumenta, reduzir suavemente a quantidade de pressão na alavanca para evitar derramamento. Se pressionar ligeiramente a alavanca, a água pingará, isto é muito normal e não é uma avaria.
---	--


5.18.Utilizar a fonte de água fresca

*opcional

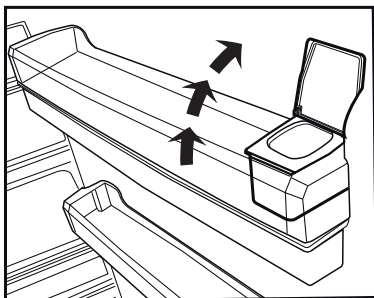
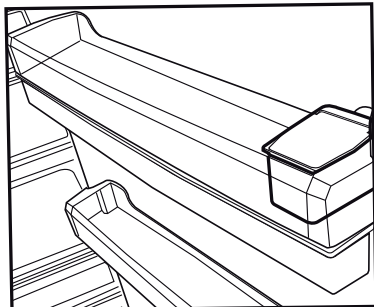
	É normal que a água dos primeiros copos retirados do dispensador esteja quente.
	Se o dispensador de água não for usado durante muito tempo, eliminar os primeiros copos de água para obter água limpa.



1. Empurrar a alavanca do dispensador de água com o seu copo. Se estiver a usar um copo de plástico macio, empurrar a alavanca com a mão para ser mais fácil.
2. Depois de encher o copo até ao nível pretendido, soltar a alavanca.

	Deve notar que a quantidade do fluxo de água do dispensador depende da velocidade com que solta a alavanca. À medida que o nível de água na sua taça/copo aumenta, reduzir suavemente a quantidade de pressão na alavanca para evitar derramamento. Se pressionar ligeiramente a alavanca, a água pingará, isto é muito normal e não é uma avaria.
---	--

Operar com o produto



5.19. Encher o depósito do dispensador de água

O reservatório para enchimento do depósito de água está localizado no interior da estrutura da porta.

1. Abrir a tampa do depósito.
2. Encher o depósito com água potável fresca.
3. Fechar a tampa.



Não encher o depósito de água com qualquer outro líquido exceto água, como sumos de fruta, bebidas gasosas ou bebidas alcoólicas que não são adequadas para usar no dispensador de água. O dispensador de água ficará irremediavelmente danificado se forem usados estes tipos de líquidos. A garantia não cobre estas utilizações. Algumas substâncias químicas e aditivos contido neste tipo de bebidas/líquidos podem danificar o depósito da água.



Usar apenas água potável.



A capacidade do depósito de água é de 3 litros, não encher demasiado.

Operar com o produto

5.20. Limpar o depósito de água

1. Remover o reservatório de enchimento de água no interior da estrutura da porta.
2. Remover a estrutura da porta segurando em ambos os lados.
3. Segurar o depósito de água de ambos os lados e removê-lo com um ângulo de 45°C.
4. Remover a tampa do depósito de água e limpar o mesmo.



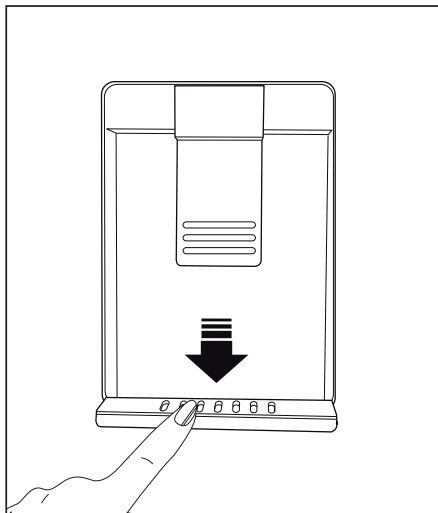
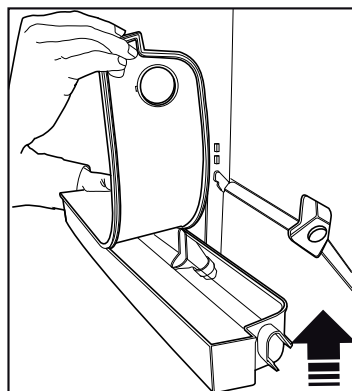
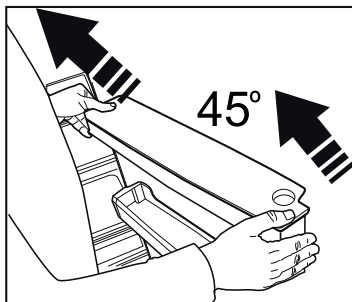
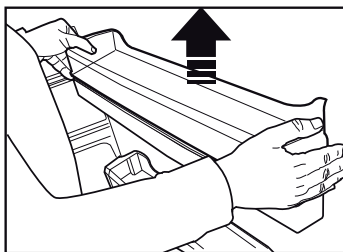
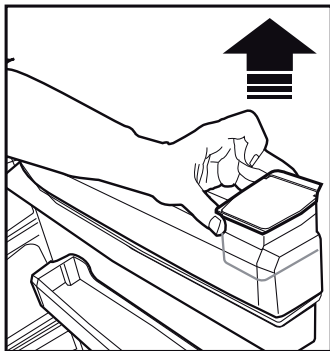
Os componentes do depósito de água e do dispensador de água não podem ser lavados na máquinas de lavar loiça.

5.21. Tabuleiro para gotas de água

A água que pinga enquanto está a usar o dispensador de água acumula-se no tabuleiros para os pingos de água.

Remover o filtro de plástico conforme mostrado na figura.

Com um pano limpo e seco, remover a água que ficou acumulada.



Operar com o produto

5.22. Congelar alimentos frescos

- De modo a preservar a qualidade dos alimentos, estes devem ser congelados tão rapidamente quanto possível quando é colocado no compartimento do congelador, usar a função de congelamento rápido para este efeito.
 - Pode armazenar os alimentos durante mais tempo no compartimento do congelador quando os congela quando ainda estão frescos.
 - Embalar os alimentos a serem congelados e fechar a embalagem de modo a que não haja entrada de ar.
 - Assegurar que embala os seus alimentos antes de os colocar no congelador. Usar recipientes para congelamento, papel de alumínio e papel à prova de humidade, sacos de plástico ou materiais de embalagem semelhantes, em vez do papel de embalagem tradicional.
 - Etiquetar cada uma das embalagens adicionando a data antes de congelar. Pode distinguir a frescura de cada embalagem de alimentos de cada vez que abre o congelador. Armazenar os alimentos congelados na parte frontal do compartimento para assegurar que são os primeiros a serem utilizados.
- Os alimentos congelados têm de ser usados imediatamente depois de terem sido descongelados e não devem ser congelados novamente.
 - Não congelar grandes quantidades de alimentos de uma só vez.



O compartimento do congelador descongela automaticamente.

Definições do Compartimento Congelador	Definições do compartimento frigorífico	Observações
-18°C	4°C	Esta é a definição normal recomendada.
-20,-22 ou -24°C	4°C	Estas definições são recomendadas para temperaturas ambientes excedendo 30°C.
Congelamento Rápido	4°C	Usar quando pretender congelar os seus alimentos num curto espaço de tempo. O seu produto voltará ao modo anterior quando o processo termina.
-18°C ou mais frio	2°C	Usar estas definições se achar que o compartimento do seu frigorífico não estiver suficientemente frio devido às condições ambientais quentes ou à abertura e fecho frequente da porta.

Operar com o produto

5.23. Recomendações para preservar alimentos congelados

O compartimento deve estar colocado a -18°C no mínimo.

1. Colocar as embalagens no congelador o mais rapidamente possível depois da compra sem permitir que descongelem.
2. Verificar se as datas de “Usar por” e “Validade” na embalagem já estão expiradas ou não antes de o congelar.
3. Assegurar que a embalagem dos alimentos não está danificada.

5.24. Informação do congelador

De acordo com as normas IEC 62552, o produto deve congelar pelo menos 4,5 kg de alimentos a 25°C de temperatura ambiente para -18°C ou mais baixa em 24 horas por cada 100 litros de volume do congelador.

É possível preservar os alimentos durante um longo período de tempo apenas a -18°C ou temperaturas mais baixas.

Pode manter a frescura dos alimentos durante muitos meses (a -18°C ou temperaturas mais baixas na congelação profunda).

Os alimentos a serem congelados não devem entrar em contacto com itens anteriormente congelados para evitar que fiquem parcialmente descongelados. Ferver os vegetais e esvaziar a respetiva água de modo a guardar os vegetais congelados durante um longo período de tempo. Depois de esvaziar a respetiva água, colocá-los em embalagens de vácuo e colocar as mesmas dentro do congelador. Alimentos como as bananas, tomates, alface, aipo, ovos cozidos, batatas não são adequados para congelar. Quando estes alimentos são congelados, somente é afetado negativamente o seu valor nutricional e o seu sabor. Não devem deteriorados de modo que não criem situações de risco para a saúde humana.

5.25. Colocar alimentos

Prateleiras do compartimento congelador	Vários produtos congelados, incluindo carne, peixe, gelado, vegetais, etc.
Prateleiras do compartimento refrigerador	Alimentos em frigideiras, pratos com tampa e recipientes fechados, ovos (em recipiente fechado)
Prateleiras da porta do compartimento do frigorífico	Alimentos pequenos e embalados ou bebidas
Gaveta para vegetais	Vegetais e fruta
Compartimento de alimentos frescos	Charcutaria (pequeno almoço, produtos de carne a serem consumidos a curto prazo)

5.26. Botão para abrir a porta

(Esta característica é opcional)

O aviso de abertura da porta é dado ao utilizador tanto visual como acusticamente. Se o aviso continuar durante 10 minutos, as luzes no interior desligar-se-ão.

5.27. Mudar a direção da abertura da porta

A direção da abertura da porta do seu refrigerador pode ser alterada conforme o local em que o está a utilizar. Se isto for necessário, deve contactar o Serviço Autorizado mais próximo.

A descrição acima é uma informação geral. Para informação sobre como alterar a direção da abertura da porta, deve consultar o rótulo de advertência localizado no lado de dentro da porta.

5.28. Lâmpada de iluminação

As lâmpadas LED são usadas como lâmpadas de iluminação. Contactar o serviço autorizado no caso de surgir algum problema com este tipo de luz. A(s) lâmpada(s) usada(s) neste aparelho não são adequadas para iluminação de salas domésticas. O fim adequado desta lâmpada é ajudar o utilizador a colocar produtos alimentares no frigorífico/ congelador de forma segura e confortável.

5.29. Recomendações para preservar alimentos congelados

O compartimento deve estar colocado a -18°C no mínimo.

- Colocar as embalagens no congelador o mais rapidamente possível depois da compra sem permitir que descongelem.
- Verificar se as datas de “Usar por” e “Validade” na embalagem já estão expiradas ou não antes de o congelar.
- Assegurar que a embalagem dos alimentos não está danificada.

5.30. Informação do congelador

De acordo com as normas IEC 62552, o produto deve congelar pelo menos 4,5 kg de alimentos a 25°C de temperatura ambiente para -18°C ou mais baixa em 24 horas por cada 100 litros de volume do congelador.

É possível preservar os alimentos durante um longo período de tempo apenas a -18°C ou temperaturas mais baixas.

Pode manter a frescura dos alimentos durante muitos meses (a -18°C ou temperaturas mais baixas na congelação profunda).

Os alimentos a serem congelados não devem entrar em contacto com itens anteriormente congelados para evitar que fiquem parcialmente descongelados. Ferver os vegetais e esvaziar a respetiva água de modo a guardar os vegetais congelados durante um longo período de tempo. Depois de esvaziar a respetiva água, colocá-los em embalagens de vácuo e colocar as mesmas dentro do congelador. Alimentos como as bananas, tomates, alface, aipo, ovos cozidos, batatas não são adequados para congelar. Quando estes alimentos são congelados, somente é afetado negativamente o seu valor nutricional e o seu sabor. Não devem deteriorados de modo que não criem situações de risco para a saúde humana.

5.31. Colocar alimentos

Prateleiras do compartimento congelador	Vários produtos congelados, incluindo carne, peixe, gelado, vegetais, etc.
Prateleiras do compartimento do refrigerador	Alimentos em frigideiras, pratos com tampa e recipientes fechados, ovos (em recipiente fechado)
Prateleiras da porta do compartimento do frigorífico	Alimentos pequenos e embalados ou bebidas
Gaveta para vegetais	Vegetais e fruta
Compartimento de alimentos frescos	Charcutaria (pequeno almoço, produtos de carne a serem consumidos a curto prazo)

5.32. Botão para abrir a porta

(Esta característica é opcional)

O aviso de abertura da porta é dado ao utilizador tanto visual como acusticamente. Se o aviso continuar durante 10 minutos, as luzes no interior desligar-se-ão.

5.33. Mudar a direção da abertura da porta

A direção da abertura da porta do seu refrigerador pode ser alterada conforme o local em que o está a utilizar. Se isto for necessário, deve contactar o Serviço Autorizado mais próximo.

A descrição acima é uma informação geral. Para informação sobre como alterar a direção da abertura da porta, deve consultar o rótulo de advertência localizado no lado de dentro da porta.

Operar com o produto

5.34. Lâmpada de iluminação

As lâmpadas LED são usadas como lâmpadas de iluminação. Contactar o serviço autorizado no caso de surgir algum problema com este tipo de luz.

A(s) lâmpada(s) usada(s) neste aparelho não são adequadas para iluminação de salas domésticas. O fim adequado desta lâmpada é ajudar o utilizador a colocar produtos alimentares no frigorífico/ congelador de forma segura e confortável.

6 Manutenção e limpeza

A vida útil do produto aumenta se este for limpo regularmente.



ADVERTÊNCIA: Desligar em primeiro lugar o produto antes de limpar o frigorífico.

- Nunca usar para a limpeza utensílios afiados e abrasivos, detergente, soluções de limpeza doméstica, cera para polir.
- Dissolver uma colher de chá de carbonato em meio litro de água. Embeber um pano com a solução e torcê-lo totalmente. Limpar o interior do aparelho com este pano e secar totalmente.
- Assegurar que não entra água no compartimento da lâmpada e de outros itens elétricos.
- Limpar a porta usando um pano húmido. Para remover a porta e a estrutura das prateleiras, remover todo o seu conteúdo. Remover as prateleiras da porta movendo-as para cima. Depois de limpar, desligar as mesmas do topo para a base para as instalar.
- Nunca usar soluções de limpeza ou água que contenha lexívia para limpar as superfícies exteriores e as partes cromadas do produto. A lexívia dá origem a corrosão nas referidas superfícies metálicas.

6.1. Evitar maus odores

Os materiais que podem causar odores não são usados na produção dos nossos equipamentos. No entanto, devido a condições deficientes de conservação de alimentos e à não limpeza da superfície interior do aparelho conforme é necessário, isso pode dar origem ao problema do odor.

Portanto, limpar o frigorífico com carbonato dissolvido em água em cada duas semanas.

- Manter os alimentos em recipientes fechados. Os microorganismos espalham-se a partir dos recipientes não tapados e podem dar origem a odores desagradáveis.
- Nunca guardar alimentos no frigorífico com a data de validade ultrapassada ou se estiverem estragados.

6.2. Proteger superfícies de plástico

Limpar imediatamente com água morna dado o óleo poder causar danos na superfície quando é derramado sobre superfícies plásticas.

6.3. Vidros da Porta

Retirar toda a película de proteção dos vidros.

Há um revestimento nas superfícies de vidro. Este revestimento minimiza a formação de manchas e ajuda a remover as possíveis manchas e sujidade com facilidade. Os vidros que não estão protegidos com o referido revestimento podem estar sujeitos à pressão persistente de sujidade orgânica ou inorgânica baseada em água ou ar como o calcário, sais minerais, hidrocarbonetos não queimados, óxidos de metal e silicões que podem fácil e rapidamente causar manchas ou danos no material. Manter o vidro limpo torna-se muito difícil apesar da limpeza regular. Consequentemente, o aspeto e a transparência do vidro deteriora-se. Métodos e compostos de limpeza abrasivos e corrosivos intensificarão estes defeitos e acelerarão o processo de deterioração.

Têm de ser usados produtos de limpeza baseados em água que não são alcalinos e corrosivos para a limpeza regular.

Têm de ser usados materiais não alcalinos e não corrosivos para a limpeza de modo que a vida útil deste revestimento dure durante um longo período de tempo.

Estes vidros são temperados para aumentar a sua durabilidade contra impactos e quebra. É igualmente aplicada uma película de segurança nas respetivas superfícies traseiras como medida suplementar de modo a impedir que causem danos à sua volta no caso de uma quebra.

“Álcali é uma base que forma os iões de hidróxido (OH) quando é dissolvido na água.

Li (Lítio), Na (Sódio), K (Potássio) Rb (Rubídio), Cs (Césio) e metais artificiais e radioativos Fr (Fân-sium) são designados por METAIS ALCALINOS.

Verificar a lista antes de contactar a assistência. Fazer isto poupa-lhe tempo e dinheiro. Esta lista inclui queixas frequentes que não estão relacionadas com o fabrico ou materiais defeituosos. Certas características mencionadas neste documento podem não ser aplicáveis ao seu produto.

O frigorífico não está a funcionar.

- A ficha de alimentação não está totalmente ajustada. >>> Ligá-la para a ajustar completamente à tomada.
- O fusível ligado à tomada de ligação do produto ou o fusível principal está queimado. >>> Verificar os fusíveis.

Condensação na parede lateral do compartimento refrigerador (ZONA MÚLTIPLA, ZONA DE FRESCOS, CONTROLO e FLEXIVEL).

- A porta é aberta com muita frequência >>> Ter cuidado para não abrir a porta do produto tão frequentemente.
- O ambiente está demasiado húmido. >>> Não instalar o produto em ambientes húmidos.
- Alimentos contendo líquidos estão colocados em recipientes não fechados. >>> Manter os alimentos contendo líquidos em recipientes fechados.
- A porta do produto foi deixada aberta. >>> Não manter a porta do produto aberta por períodos longos.
- O termostato está definido para temperatura demasiado baixa. >>> Definir o termostato para temperatura adequada.

O compressor não está a funcionar.

- Em caso de falta de energia repentina ou retirar a ficha de alimentação e colocar de novo, a pressão do gás no sistema de refrigeração do produto não é equilibrada, o que desencadeia a salvaguarda térmica do compressor. O produto voltará a ligar-se depois de aproximadamente 6 minutos. Se o produto não se voltar a ligar depois deste período, contactar a assistência.
- Descongelação está activa. >>> Isto é normal para um produto de descongelação totalmente automática. A descongelação é executada periodicamente.
- O produto não está ligado. >>> Assegurar que o cabo de alimentação está ligado.
- A definição de temperatura é incorrecta. >>> Seleccionar a definição de temperatura adequada.
- Não há energia. >>> O produto continuará a funcionar normalmente assim que a energia seja restabelecida.

O ruído de funcionamento do frigorífico aumenta durante a utilização.

- O desempenho de funcionamento do produto pode variar dependendo das variações de temperatura do ambiente. Isto é normal e não é um mau funcionamento.

O frigorífico funciona muito frequentemente ou por muito tempo.

Resolução de problemas

- O novo produto pode ser maior do que o anterior. Produtos maiores funcionam por períodos mais longos.
- A temperatura da sala pode ser elevada. >>> O produto funcionará normalmente por períodos mais longos com temperaturas de sala mais elevadas.
- O produto foi ligado recentemente ou foi colocado no interior um novo alimento. >>> O produto levará mais tempo a atingir a temperatura definida quando recentemente ligado ou quando é colocado um novo alimento no interior. Isto é normal.
- Grandes quantidades de alimentos quentes podem ter sido colocadas recentemente no produto. >>> Não colocar alimentos quentes no produto.
- As portas foram abertas frequentemente ou deixadas abertas por períodos longos. >>> O ar quente que se move no interior fará o produto funcionar mais tempo. Não abrir as portas com demasiada frequência.
- A porta do congelador ou refrigerador pode estar entreaberta. >>> Verificar se as portas estão completamente fechadas.
- O produto pode estar definido para temperatura demasiado baixa. >>> Definir a temperatura para um grau mais elevado e aguardar que o produto atinja a temperatura ajustada.
- A junta da porta do congelador ou refrigerador pode estar suja, desgastada, partida ou não ajustada adequadamente. >>> Limpar ou substituir a junta. A junta da porta danificada / cortada fará o produto funcionar por períodos mais longos para preservar a temperatura actual.

A temperatura do congelador está muito baixa, mas a temperatura do refrigerador é adequada.

- A temperatura do compartimento de congelação está definida para um grau muito baixo. >>> Definir a temperatura do compartimento de congelação para um grau mais elevado e verificar de novo.

A temperatura do refrigerador está muito baixa, mas a temperatura do congelador é adequada.

- A temperatura do compartimento de refrigeração está definida para um grau muito baixo. >>> Definir a temperatura do compartimento de refrigeração para um grau mais elevado e verificar de novo.

Os alimentos guardados em gavetas do compartimento de refrigeração estão congelados.

A temperatura do compartimento de refrigeração está definida para um grau muito baixo. >>> Definir a temperatura do compartimento de congelação para um grau mais elevado e verificar de novo.

A temperatura no refrigerador ou congelador é demasiado elevada.

Resolução de problemas

- A temperatura do compartimento de refrigeração está definida para um grau muito elevado. >>> A definição de temperatura do compartimento de refrigeração influencia a temperatura do compartimento de congelação. Altere a temperatura do compartimento de refrigeração ou congelação e aguarde até que os referidos compartimentos atinjam o nível de temperatura ajustado.
- As portas foram abertas frequentemente ou deixadas abertas por períodos longos. >>> Não abrir as portas com demasiada frequência.
- A porta pode estar entreaberta. >>> Fechar completamente a porta.
- O produto foi ligado recentemente ou foi colocado no interior um novo alimento. >>> Isto é normal. O produto levará mais tempo a atingir a temperatura definida quando recentemente ligado ou um novo alimento é colocado no interior.
- Grandes quantidades de alimentos quentes podem ter sido colocadas recentemente no produto. >>> Não colocar alimentos quentes no produto.

Vibração ou ruído.

- O chão não está nivelado ou não é resistente. >>> Se o produto vibra quando movido lentamente, ajustar os pés para equilibrar o produto. Assegurar também que o chão é suficientemente resistente para suportar o produto.
- Alguns itens colocados no produto podem causar ruídos. >>> Retirar alguns itens colocados no produto.

O produto está a fazer ruído de líquido a fluir, pulverização, etc.

- Os princípios de funcionamento do produto incluem fluídos líquidos e gasosos. >>> Isto é normal e não um mau funcionamento.

Há som de vento a soprar proveniente do produto.

- O produto usa uma ventoinha no processo de refrigeração. Isto é normal e não é um mau funcionamento.

Há condensação nas paredes internas do produto.

- Meio ambiente quente ou húmido aumentará a formação de gelo e condensação. Isto é normal e não é um mau funcionamento.
- As portas foram abertas frequentemente ou deixadas abertas por períodos longos. Não abrir as portas com demasiada frequência; se aberta, fechar a porta.
- A porta pode estar entreaberta. >>> Fechar completamente a porta.

Há condensação no exterior do produto ou entre as portas.

- O meio ambiente pode estar húmido, isto é perfeitamente normal com tempo húmido. >>> A condensação dissipa quando a humidade diminuir.

O interior cheira mal.

Resolução de problemas

- O produto não é limpo regularmente. >>> Limpar o interior regularmente usando uma esponja, água quente e água com carbonato.
- Alguns recipientes e materiais de embalagem podem provocar odores. >>> Usar recipientes e materiais de embalagem isentos de odor.
- Os alimentos foram colocados em recipientes não vedados. >>> Manter os alimentos em recipientes fechados. Os microrganismos podem disseminar-se dos alimentos não fechados e causar mau cheiro.
- Retirar quaisquer alimentos fora de prazo e estragados do frigorífico.

A porta não está a fechar.

- Embalagens de alimentos podem bloquear a porta. >>> Recolocar quaisquer itens que bloqueiem as portas.
- O produto não está colocado em posição vertical no chão. >>> Ajustar os pés para equilibrar o produto.
- O chão não está nivelado ou não é resistente. >>> Assegurar que o chão é nivelado e suficientemente resistente para suportar o produto.

A gaveta para vegetais está presa.

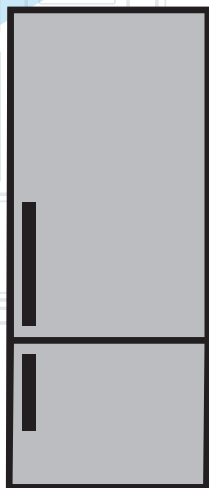
- Os alimentos podem estar em contacto com a secção superior da gaveta. >>> Reorganizar os alimentos na gaveta.



RECOMENDAÇÕES: Se os problemas persistirem depois de seguir as instruções nesta secção, contactar o seu vendedor ou uma Assistência Autorizada. Não tentar reparar o produto.

Refrigerador

Manual del usuario



ES |

beko

Lea este manual de usuario antes de utilizar el aparato.

Estimado cliente:

Esperamos que este aparato, que ha sido fabricado en plantas dotadas de la más avanzada tecnología y sometido a los más estrictos procedimientos de control de calidad, le preste un servicio eficaz.

Por lo tanto, lea detenidamente este manual de instrucciones antes de utilizar el aparato y guardar el manual como referencia. Si entrega el aparato a otro propietario, no olvide incluir el manual de usuario.

El manual del usuario le ayudará a usar el aparato de manera rápida y segura.

- Lea el manual antes de instalar y poner en funcionamiento el aparato.
- Asegúrese de haber leído las instrucciones de seguridad.
- Conserve el manual en un sitio de fácil acceso, ya que podría necesitarlo en el futuro.
- Lea los otros documentos incluidos con el producto.

Recuerde que este manual de usuario también es aplicable a otros modelos. Las diferencias entre los modelos se identificarán en el manual.

Explicación de los símbolos

En este manual se utilizan los siguientes símbolos:

	Información importante o consejos de utilidad.
	Existe un riesgo de lesiones y de daños a la propiedad.
	Existe riesgo de descargas eléctricas.
	El embalaje del aparato se fabrica con materiales reciclables, de acuerdo con nuestro Reglamento Nacional sobre Medio Ambiente.

Contenidos

1 Instrucciones de seguridad y medio ambiente	3	5.6. Mover el estante de la puerta ..24	
1.1. Seguridad general	3	5.7. Contenedor de almacenamiento deslizable	24
1.1.1 Aviso HC	5	5.8. Luz azul	24
1.1.2 Para los modelos con dispensador de agua	6	5.9. Cubitera	25
1.2. Uso previsto	7	5.10.Huevera	25
1.3. Seguridad para niños	7	5.11.Ventilador	25
1.4. En cumplimiento de la Directiva RAEE, y la eliminación del aparato	7	5.12.Cajón de frutas y verduras	25
1.5. En cumplimiento de la Directiva RoHS	8	5.13.Compartimento de enfriamiento	25
1.6. Información sobre el paquete ...	8	5.14.Icematic automático	26
2 Familiarizarse con el electrodoméstico	9	5.15.Compartimento para verduras con control de humedad	26
3 Instalación	10	5.16.Icematic y caja de almacenamiento de hielo	27
3.1. Lugar adecuado para la instalación	10	5.17.Uso del dispensador de agua ..	27
3.2. Instalación de las cuñas de plástico	10	5.18.Uso del dispensador de agua ..	28
3.3. Ajuste de los pies	11	5.19.Llenar el depósito del dispensador de agua	29
3.4. Conexión eléctrica	11	5.20. Limpieza del depósito de agua	30
3.5. Inversión de las puertas	12	5.21.Bandeja de goteo	30
3.6. Inversión de las puertas	13	5.22.Congelación de alimentos frescos	31
4 Preparación	14	5.23.Recomendaciones para la conservación de alimentos congelados	32
4.1. Consejos para el ahorro de energía	14	5.24.Información sobre la congelación	32
4.2. Uso inicial	14	5.25.Colocar los alimentos	32
5 Manejo del aparato	16	5.26.Aviso de puerta abierta	33
5.1. Botón de ajuste de la temperatura	16	5.27.Cambio de la dirección de apertura de la puerta	33
5.2. Congelación rápida	16	5.28.Lámpara de iluminación	33
5.3. Función de vacaciones	17	6 Mantenimiento y limpieza	34
5.4. Panel indicador	18	6.1. Cómo evitar malos olores	34
5.5. Panel indicador	20	6.2. Protección de las superficies de plástico	34
		6.3. Vidrios de las puertas	35
		7 Resolución de problemas	36

1 Instrucciones de seguridad y medio

ambiente

Esta sección proporciona las instrucciones de seguridad necesarias para evitar el riesgo de lesión y daños materiales. El incumplimiento de estas instrucciones puede invalidar cualquier tipo de garantía del aparato.

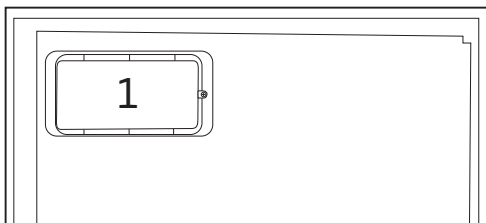
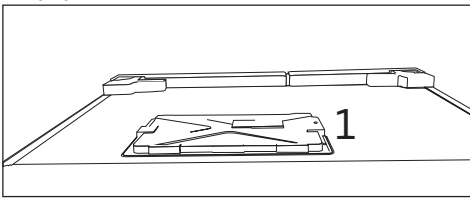
1.1. Seguridad general

- Este aparato no debe ser utilizado por personas con discapacidades físicas, sensoriales y mentales, sin el conocimiento y la experiencia suficiente o por los niños. El aparato solo puede ser utilizado por estas personas bajo la supervisión y la instrucción de una persona responsable de su seguridad. A los niños no se les debe permitir jugar con este dispositivo.
- En caso de mal funcionamiento, desconecte el dispositivo.
- Después de desconectar, espere por lo menos 5 minutos antes de conectar de nuevo. Desenchufe el aparato cuando no esté en uso. ¡No toque el enchufe con las manos mojadas! No tire del cable para enchufar para sacarlo de la toma de la pared, hágalo tomándolo de la cabeza del enchufe.
- Limpie la punta del cable de alimentación con un paño seco antes de conectarlo.
- No enchufe el refrigerador si la toma de corriente está floja.
- Desenchufe el aparato durante la instalación, el mantenimiento, limpieza y reparación.
- Si el aparato no se utiliza durante un tiempo, desenchufe el aparato y elimine cualquier alimento en el interior.
- No utilice vapor ni materiales de limpieza al vapor para la limpieza del refrigerador y el derretimiento del hielo en el interior. ¡El vapor podría contactar las

Instrucciones para la seguridad y el medio ambiente

zonas electrificadas y causar un cortocircuito o una descarga eléctrica!

- ¡No lave el aparato rociando ni vertiendo agua sobre él! ¡Riesgo de descarga eléctrica!
- Nunca utilice el producto si la sección situada en la parte superior o posterior del producto que tiene las placas de circuitos impresos electrónicos en el interior está abierta (cubierta de la placa del circuito electrónico impreso) (1).



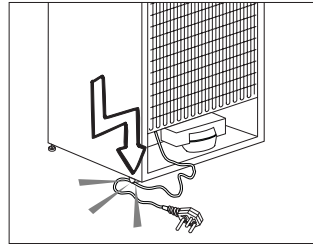
- En caso de mal funcionamiento, no utilice el aparato, ya que puede causar una descarga eléctrica. Póngase en contacto con el servicio técnico autorizado antes de hacer cualquier cosa.
- Conecte el aparato a una toma de tierra. La puesta a tierra debe ser realizada por un electricista calificado.
- Si el aparato tiene un LED de iluminación y requiere sustituirlo, póngase en contacto con el servicio técnico autorizado para sustituirlo o en caso de cualquier problema.
- ¡No toque la comida congelada con las manos mojadas! ¡Se podría adherir a sus manos!
- No coloque líquidos en botellas ni latas en el compartimento del congelador. ¡Podrían estallar!

Instrucciones para la seguridad y el medio ambiente

- Coloque los líquidos en posición vertical después de cerrar bien la tapa.
- No rocíe sustancias inflamables cerca del aparato, ya que podría quemarse o explotar.
- No guarde materiales ni aparatos con gases inflamables (sprays, etc.) en el refrigerador.
- No ponga recipientes que contengan líquido encima del aparato. Salpicar agua en una parte electrificada podría provocar descargas eléctricas y riesgos de incendio.
- La exposición del aparato a la lluvia, la nieve, la luz directa del sol y el viento causarán un peligro eléctrico. Cuando traslade el aparato, no tire sujetando la manija de la puerta. El mango se podría salir.
- Tenga cuidado de no atrapar ninguna parte de sus manos o de su

cuerpo en cualquiera de las partes móviles en el interior del aparato.

- No se pare ni se apoye en las puertas, cajones y partes similares de la nevera. Esto causará que el aparato se caiga hacia adelante y dañe sus partes.
- Tenga cuidado de no tropezar con el cable de alimentación.



1.1.1 Aviso HC

Si el aparato dispone de un sistema de refrigeración que utiliza gas R600a, tenga cuidado de no dañar el sistema de refrigeración y su tubería mientras se utiliza o mueva el aparato. Este gas es inflamable. Si el sistema de refrigeración

Instrucciones para la seguridad y el medio ambiente

está dañado, mantenga el aparato alejado de fuentes de incendio y ventile la habitación inmediatamente.



La etiqueta en la parte interior izquierda indica el tipo de gas utilizado en el aparato.

1.1.2 Para los modelos con dispensador de agua

- La presión en la entrada de agua fría será a un máximo de 90 psi (6.2 bar). Si la presión del agua es superior a 80 psi (5,5 bar), utilice una válvula limitadora de presión en el sistema de red. Si usted no sabe cómo controlar la presión del agua, pida la ayuda de un plomero profesional.
- Si hay riesgo de golpe de ariete en la instalación, siempre utilice un equipo de prevención contra golpes de ariete en la instalación. Consulte a un fontanero profesional si no está seguro de que no hay un efecto del golpe de ariete en la instalación.
- No instale en la entrada de agua caliente. Tome precauciones contra del riesgo de congelación en las mangueras. El intervalo de funcionamiento de la temperatura del agua debe ser un mínimo de 33°F (0.6°C) y un máximo de 100°F (38°C).
- Solo use agua potable apta para beber.

Instrucciones para la seguridad y el medio ambiente

1.2. Uso previsto

- Este aparato está diseñado para uso en el hogar. No es adecuado para un uso comercial.
- El aparato debe utilizarse para solamente para almacenar alimentos y bebidas.
- No guarde aparatos sensibles que requieran temperatura controlada (vacunas, medicamentos sensibles al calor, equipos médicos, etc.) en el refrigerador.
- El fabricante no asume ninguna responsabilidad por los daños debidos al mal uso o mal manejo.
- El uso útil del aparato es de 10 años. Las piezas de repuesto necesarias para que el aparato funcione estarán disponibles durante este período de tiempo.

1.3. Seguridad para niños

- Guarde los materiales de embalaje fuera del alcance de los niños.
- A los niños no se les debe permitir jugar con el aparato.
- Si la puerta del aparato usa una cerradura, guarde la llave fuera del alcance de los niños.

1.4. En cumplimiento de la Directiva RAEE, y la eliminación del aparato

Este aparato cumple con la Directiva WEEE (RAEE) de la UE (2012/19/EU). Este aparato lleva el símbolo de clasificación de los equipos eléctricos y electrónicos (WEEE/RAEE).



Este aparato ha sido fabricado con piezas y materiales de alta calidad que pueden ser reutilizados y son aptos para el reciclaje. No deseche el aparato de junto con los desechos domésticos normales al final de su vida útil. Llévelo al centro de recolección para reciclaje de aparatos eléctricos y electrónicos. Consulte a las autoridades locales para obtener información acerca de estos centros de acopio.

Instrucciones para la seguridad y el medio ambiente

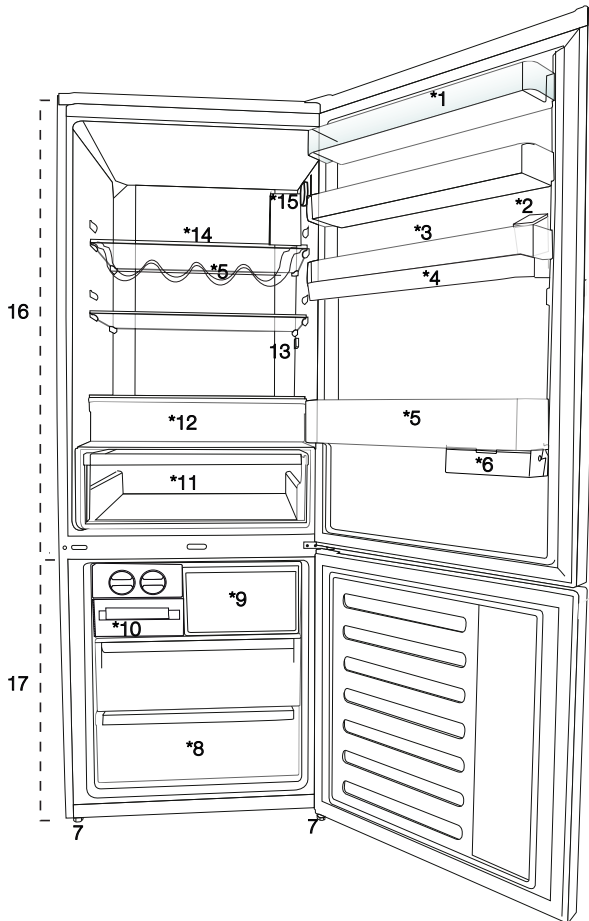
1.5. En cumplimiento de la Directiva RoHS

- El producto que ha adquirido es conforme con la directiva de la UE sobre la restricción de sustancias peligrosas (RoHS) (2011/65/UE). No contiene ninguno de los materiales nocivos o prohibidos especificados en la directiva.

1.6. Información sobre el paquete

- Los materiales de embalaje del aparato son fabricados a partir de materiales reciclables, de acuerdo con nuestra Reglamentación Nacional para el Medio Ambiente. No se deshaga de los materiales de embalaje junto con los desechos domésticos o de otro tipo. Llévelos a los puntos de recolección de material de embalaje designados por las autoridades locales.

2 Familiarizarse con el electrodoméstico



1. Estante de la puerta del compartimento refrigerador
2. Contenedor de llenado del dispensador de agua
3. Huevera
4. Depósito del dispensador de agua
5. Estante para botellas
6. Contenedor de almacenamiento deslizante
7. Pies ajustables
8. Compartimento congelador
9. Compartimento de congelación rápida
10. Cubitera y compartimento para hielo
11. Cajón de verdura
12. Compartimento de cero grados
13. Luz interior
14. Estante de vidrio del compartimento refrigerador
15. Botón de ajuste de la temperatura
16. Compartimento refrigerador
17. Compartimento congelador



Las ilustraciones de este manual se proporcionan a modo de ejemplo y podrían no corresponderse exactamente con su aparato. Si determinadas partes no están presentes en el aparato que usted ha adquirido, indica que la figura corresponde a otro modelo.

3 Instalación

3.1. Lugar adecuado para la instalación

Contacte con un Servicio Técnico autorizado para la instalación del aparato. Para tener el aparato a punto para la instalación, vea la información en la guía de usuario y asegúrese de que las herramientas eléctricas y de agua sean las adecuadas. Si no lo son, llame a un electricista y a un fontanero para que hagan las modificaciones necesarias.

	ADVERTENCIA: El fabricante no se responsabiliza de ningún daño causado por el trabajo llevado a cabo por personas no autorizadas.
	ADVERTENCIA: El aparato debe estar desenchufado durante la instalación. ¡No hacerlo podría causar la muerte o lesiones graves!
	ADVERTENCIA: Si la extensión de la puerta es demasiado estrecha para permitir el paso del aparato, retire la puerta y gire el aparato de lado; si esto no funciona, contacte con el servicio técnico autorizado.

- Coloque el aparato sobre una superficie lisa para evitar sacudidas.
- Instale el aparato a una distancia no inferior de 30 cm de radiadores, estufas y fuentes de calor similares y una distancia no inferior a 5 cm de cualquier horno eléctrico.

- No exponga el aparato directamente a la luz solar en ambientes húmedos.
- El producto requiere una circulación de aire adecuada para funcionar de manera eficiente.
- Si va a colocar el aparato en un hueco de la pared, no olvide dejar una distancia mínima de 5 cm con respecto al techo y las paredes.
- No instale el aparato en ambientes con una temperatura por debajo de -5°C.

3.2. Instalación de las cuñas de plástico

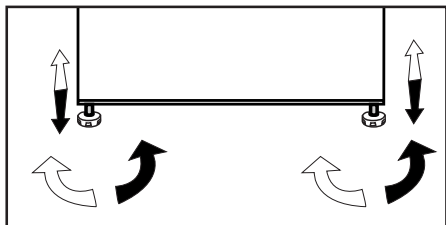
Use las cuñas de plástico incluidas con el aparato para que haya suficiente espacio para la circulación de aire entre el producto y el techo.

1. Para ello, retire los tornillos del aparato y utilice los tornillos que encontrará en la bolsa de las cuñas.

Instalación

3.3. Ajuste de los pies

Si el aparato no queda equilibrado tras su instalación, ajuste las pies frontales girándolos de la derecha a la izquierda.



3.4. Conexión eléctrica



ADVERTENCIA: No utilice cables de extensión ni ladrones para realizar la conexión eléctrica.



ADVERTENCIA: Deje en manos de un servicio técnico autorizado la sustitución de un cable de alimentación dañado.



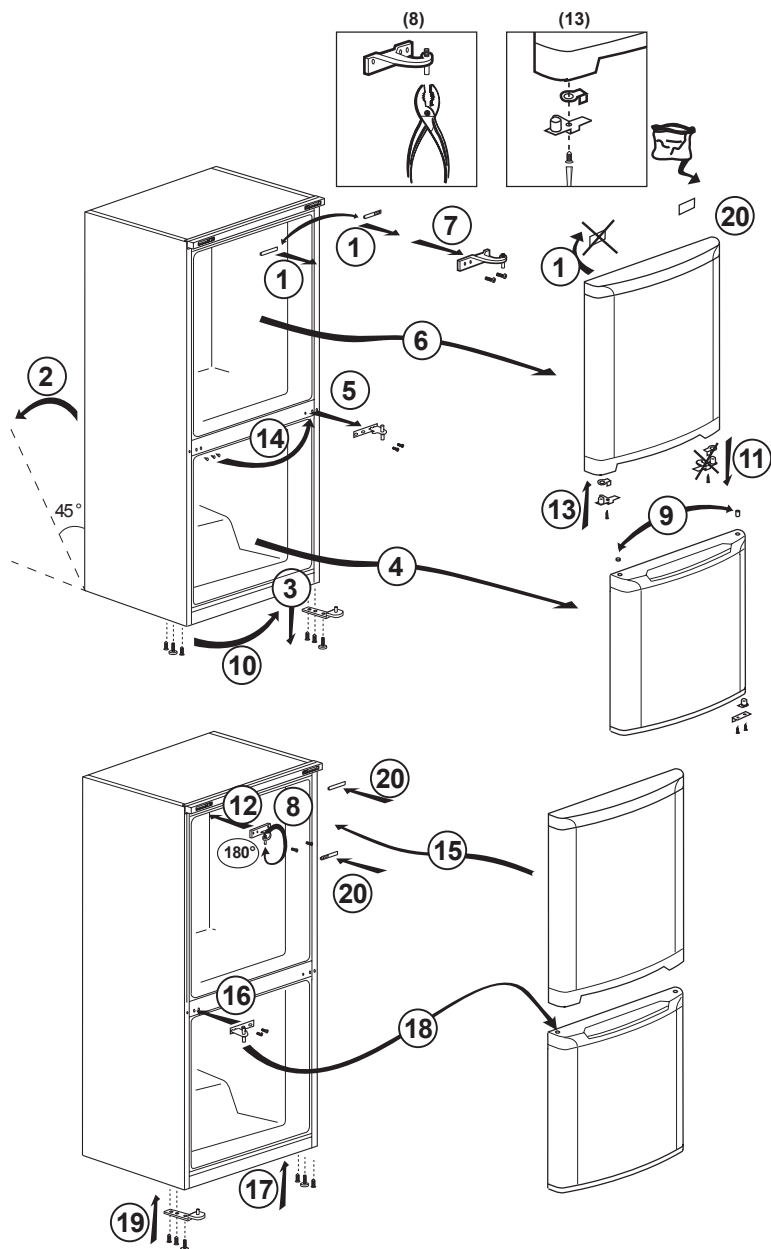
En caso de que vaya a instalar dos frigoríficos uno al lado del otro, debe dejar una separación no inferior a 4 cm entre ellos.

- Nuestra empresa no se hará responsable de daños provocados por el uso del aparato sin una toma de tierra conforme a las normativas nacionales.
- Tras la instalación, el enchufe del cable de alimentación debe quedar al alcance de la mano.
- Conecte el frigorífico a una toma de tierra apta para una tensión de 220-240V /50 Hz. La salida debe tener un fusible de 10 a 16 A.
- No use cables de extensión ni múltiples tomacorrientes sin cable entre el aparato y la toma de pared.

Instalación

3.5. Inversión de las puertas

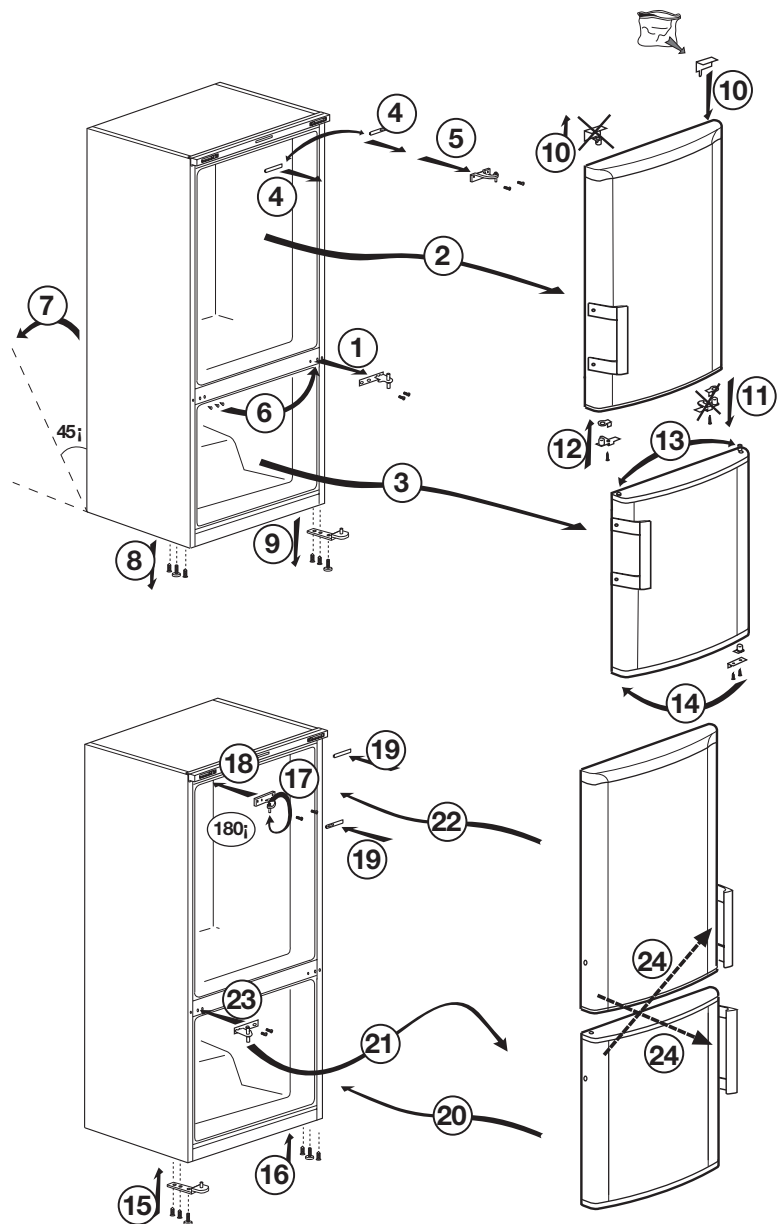
Proceder en orden numérico.



Instalación

3.6. Inversión de las puertas

Proceder en orden numérico.



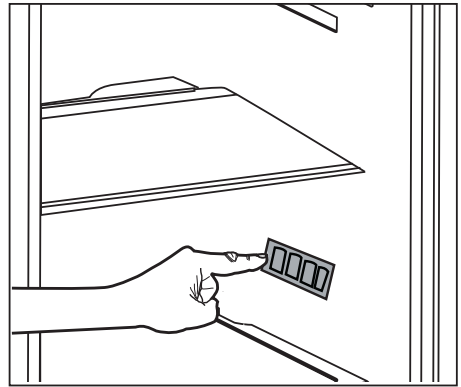
4.1. Consejos para el ahorro de energía



El aparato podría sufrir daños si se conecta a sistemas de ahorro de energía, por lo que es arriesgado.

- No deje las puertas del frigorífico abiertas durante periodos largos de tiempo.
- No introduzca alimentos o bebidas calientes en el frigorífico.
- No sobrecargue el frigorífico, pues se reducirá la capacidad de enfriamiento si se obstaculiza la circulación del aire en el interior.
- Para poder almacenar la máxima cantidad de alimentos en el compartimento del congelador, debe retirar el icematic, ubicado allí y que puede ser retirado con la mano. El volumen neto y el consumo energético especificados en la placa de datos del frigorífico se miden y se prueban retirando el frigorífico. No retire los estantes de dentro del compartimento del congelador de la puerta del compartimento del congelador. Úselos siempre, pues facilitan el uso del aparato y ayudan al consumo energético eficiente.
- No bloquee el flujo de aire colocando alimentos a los lados del ventilador del compartimento del congelador. Deje una distancia mínima de 3 cm a los lados de las paredes de la cobertura de protección del ventilador.
- Use siempre los canastos/cajones que se suministran con el compartimento del congelador para obtener un menor consumo de energía y mejores condiciones de almacenamiento.
- El contacto de los alimentos con el sensor de temperatura en el compartimento congelador puede elevar el consumo de energía del

electrodoméstico. Por lo tanto, se debe evitar todo contacto con el/los sensor/es.



- Según las características del electrodoméstico, descongele alimentos congelados en el compartimento del frigorífico para obtener un ahorro energético y conservar la calidad de los alimentos.
- No deje que los alimentos entren en contacto con el sensor de temperatura del compartimento del frigorífico que aparece en la imagen de más arriba.

4.2. Uso inicial

Antes de empezar a utilizar el frigorífico, compruebe que se hayan realizado todas las preparaciones indicadas en las secciones "Instrucciones importantes sobre seguridad" e "Instalación".

- Mantenga el aparato en funcionamiento durante 6 horas sin alimentos en su interior y no abra la puerta si no es estrictamente necesario.



Se oye un ruido cada vez que el compresor se pone en funcionamiento. Los líquidos y los gases contenidos en el sistema de refrigeración pueden también generar ruidos, incluso aunque el compresor no esté funcionando, lo cual es normal.



Es posible que las aristas delanteras del aparato se noten calientes al tacto. Esto es normal. Estas zonas deben permanecer calientes para evitar la condensación.



En algunos modelos, el panel de instrumentos se apaga automáticamente 5 minutos después de que la puerta se haya cerrado. Se reactivará cuando la puerta se abra o cuando se pulse cualquier tecla.

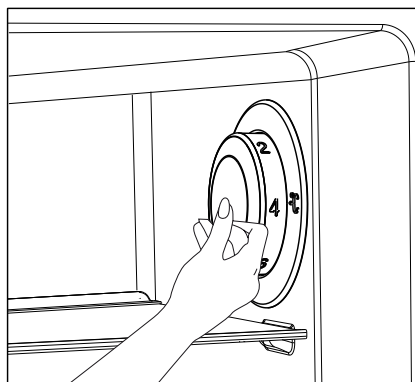
5.1. Botón de ajuste de la temperatura

La temperatura interior del frigorífico cambia debido a los siguientes motivos;

- Temperatura de la estación.
- Abrir la puerta con frecuencia y dejarla abierta durante mucho tiempo.
- Introducir en el frigorífico alimentos sin esperar que su temperatura alcance la temperatura ambiente
- La ubicación del frigorífico en la estancia (por ejemplo, que esté expuesto a la luz solar)
- Puede ajustar las variaciones de la temperatura interior debidas, por ejemplo, a la utilización del botón de ajuste.

Los números alrededor del mando de control indican los valores de temperatura en "°C".

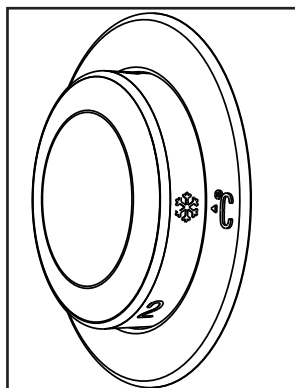
Si la temperatura ambiente es de 25°C, le recomendamos que use el mando de control del frigorífico a 4°C. Puede aumentar o disminuir este valor como sea necesario en otras temperaturas ambiente.



5.2. Congelación rápida

Si va a congelar grandes cantidades de alimentos frescos, ponga el mando de control en la posición de (❄) máx. 24 horas antes de depositar los alimentos en el compartimento de congelación rápida.

Se recomienda encarecidamente mantener el mando de control en la posición MAX durante por lo menos 24 horas para congelar la cantidad máxima de alimentos correspondiente a la capacidad de congelación. Ponga especial cuidado en no mezclar alimentos frescos y alimentos ya congelados.



Funcionamiento del aparato

Recuerde volver a situar el mando del termostato en su posición previa una vez los alimentos se hayan congelado.

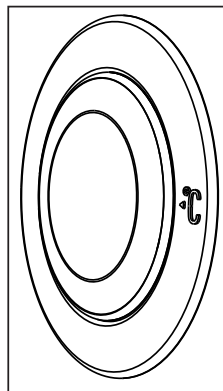
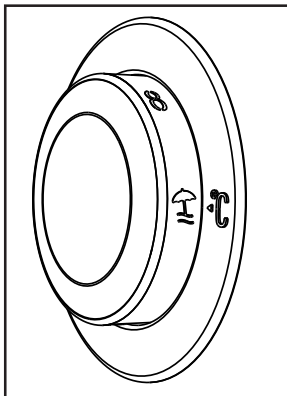
5.3. Función de vacaciones

Si las puertas del aparato no se abren durante 12 horas tras poner el termostato en la posición de máximo calor, la función de vacaciones se activará automáticamente.

Para cancelar la función, cambie los ajustes del mando.

No se recomienda almacenar alimentos en el compartimento de más frío cuando la función de vacaciones esté activa.

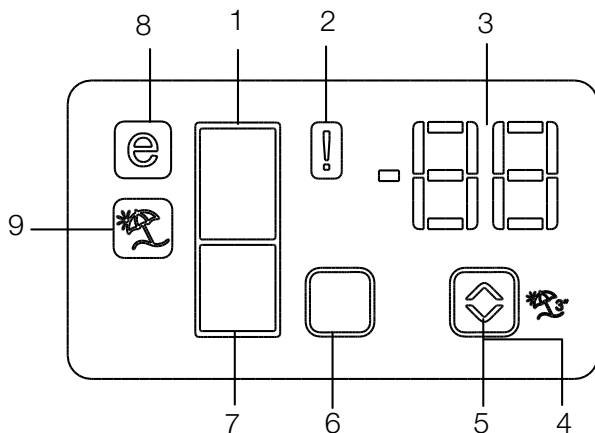
- Cuando el ajuste haya finalizado, podrá pulsar el termostato y esconderlo.



Funcionamiento del aparato

5.4. Panel indicador

Los paneles indicadores pueden variar dependiendo del modelo de aparato. Las funciones audiovisuales del panel indicador le ayudan a utilizar el aparato.



1. Indicador del compartimento congelador
2. Indicador de error
3. Indicador de temperatura
4. Botón del modo vacaciones
5. Botón de ajuste de la temperatura
6. Botón de selección de compartimento
7. Indicador del compartimento frigorífico
8. Indicador del modo ahorro
9. Indicador de la función de vacaciones

***opcional**



***opcional:** Las ilustraciones de este manual se proporcionan a modo de ejemplo y podrían no corresponderse exactamente con su aparato. Si determinadas partes no están presentes en el aparato que usted ha adquirido, indica que la figura corresponde a otro modelo.

Funcionamiento del aparato

1. Indicador del compartimento congelador

La luz del compartimento frigorífico se enciende al ajustar la temperatura del compartimento congelador.

2. Indicador de error

Este indicador se activa si su frigorífico no enfría o suficiente o en caso de fallo de un sensor. Cuando este indicador se active, el indicador de la temperatura del compartimento congelador mostrará "E" y el indicador de temperatura del compartimento frigorífico mostrará números, por ejemplo "1,2,3...". Estos números proporcionan al personal de mantenimiento información acerca del error.

3. Indicador de temperatura

Indicador de temperatura del compartimento frigorífico y congelador.

4. Botón del modo vacaciones

Pulse el botón de vacaciones durante 3 segundos para activar esta función. Cuando la función de vacaciones está activa, aparece "- -" en el indicador de temperatura del compartimento frigorífico y este compartimento no enfría. Cuando esta función está activa no es adecuado conservar alimentos en el compartimento frigorífico. El resto de compartimentos seguirán refrigerados a la temperatura ajustada para ellos. Para cancelar esta función, pulse de nuevo el botón **Vacaciones**.

5. Botón de ajuste de la temperatura

Cambia la temperatura del compartimento correspondiente en un rango de entre -24 °C... -18 °C y 8 °C...1 °C.

6. Botón de selección de compartimento

Botón de selección: Pulse el botón de selección de compartimento para alternar entre el compartimento frigorífico y el compartimento congelador.

7. Indicador del compartimento frigorífico

La luz del compartimento frigorífico se enciende al ajustar la temperatura del compartimento frigorífico.

8. Indicador del modo ahorro

Indica que el frigorífico opera en el modo de ahorro de energía. Este indicador estará activo si la temperatura del compartimento congelador se fija en -18 °C.

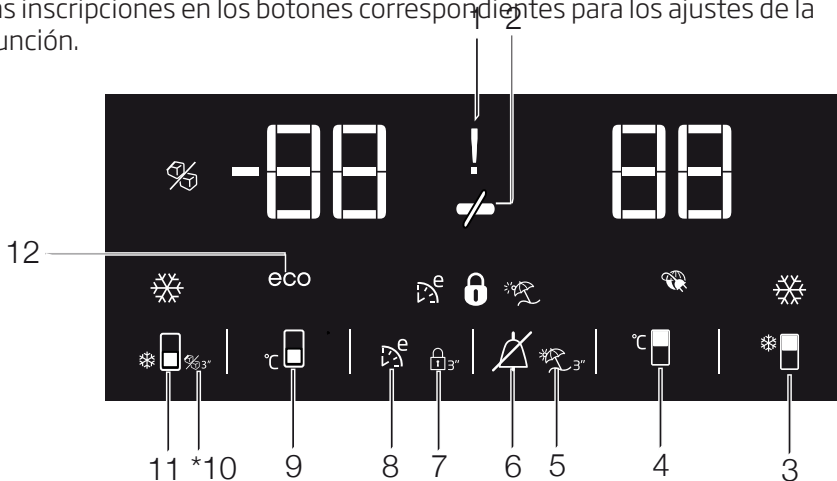
9. Indicador de la función de vacaciones

Indica que la función de vacaciones está activa.

Funcionamiento del aparato

5.5. Panel indicador

El panel indicador le permite ajustar la temperatura y controlar as otras funciones relacionadas con el aparato sin abrir sus puertas. Basta con pulsar las inscripciones en los botones correspondientes para los ajustes de la función.



1. Apagón/Temperatura alta / luz de advertencia de error

Esta luz (🔦) se ilumina durante un apagón, fallos de alta temperatura y avisos de errores. Durante apagones prolongados, parpadeará en el visor la temperatura más alta registrada que alcance el compartimento del congelado Después de comprobar los alimentos ubicados en el congelador (🔦), pulse el botón de apagado para aclarar la advertencia.

Por favor, consulte la sección «remedios aconsejados para la solución de problemas» si ve que la luz está iluminada.

2. Función de ahorro de energía (pantalla apagada):

Si las puertas de la nevera se mantienen cerradas durante un tiempo largo, la función de ahorro se activa automáticamente y el símbolo de ahorro de energía se ilumina. (🔦)

Si la función de ahorro de energía está activa, todos los símbolos de la pantalla se apagarán excepto el símbolo de ahorro de energía. Cuando el modo de ahorro de energía está activo, si se pulsa cualquier botón o se abre la puerta, la función de ahorro de energía se cancelará y los símbolos en la pantalla volverán a su estado normal.




***opcional:** Las ilustraciones de este manual se proporcionan a modo de ejemplo y podrían no corresponderse exactamente con su aparato. Si determinadas partes no están presentes en el aparato que usted ha adquirido, indica que la figura corresponde a otro modelo.

Funcionamiento del aparato

La función de ahorro de energía se activará durante la entrega desde la fábrica y no se puede cancelar.

3. Función de refrigeración rápida

El botón tiene dos funciones. Pulse brevemente este botón para activar o desactivar la función de enfriamiento rápido. La luz de refrigeración rápida y el aparato volverán a su configuración habitual. ()



Use la función de enfriamiento rápido cuando desee enfriar con rapidez los alimentos depositados en el compartimento frigorífico. Si desea enfriar grandes cantidades de alimentos frescos, active esta función antes de depositar los alimentos en el aparato.



Si no cancela manualmente la función, esta se cancelará automáticamente transcurridas ocho horas o bien una vez el compartimento frigorífico alcance la temperatura deseada.




Si pulsa el botón de enfriamiento rápido repetidamente a intervalos breves, se activará la protección del circuito electrónico y el compresor no se pondrá en marcha inmediatamente.





En caso de corte del fluido eléctrico, esta función no se activará automáticamente al restablecerse el suministro eléctrico.

4. Botón de ajuste de la temperatura del compartimento frigorífico

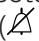
Pulse este botón para ajustar la temperatura del compartimento frigorífico a 8, 7, 6, 5, 4, 3, 2 y 8... respectivamente. Pulse este botón para ajustar la temperatura que desee para el compartimento frigorífico. ()

5. Función de Vacaciones:


Para activar la función de vacaciones, pulse este botón () durante 3 segundos, y la luz del modo de vacaciones () se activará. Cuando la función de vacaciones está activa, aparece "- -" en el indicador de temperatura del compartimento frigorífico y este compartimento no enfría. Cuando esta función está activa no es adecuado conservar alimentos en el compartimento frigorífico. El resto de compartimentos seguirán refrigerados a la temperatura ajustada para ellos.

Para cancelar esta función, pulse de nuevo el botón de la **función de Vacaciones**.


6. Aviso de desconexión de la alarma:

En caso de apagón/alarma de alta temperatura, pulse el botón de desconexión de alarma () para eliminar el aviso después de comprobar los alimentos en el compartimento del congelador.

7. Bloqueo de teclas


Pulse el botón de bloqueo de teclas () simultáneamente durante 3 segundos. Símbolo de bloqueo de teclas

Funcionamiento del aparato

() se iluminará y el modo de bloqueo de teclas se activará. Los botones no funcionarán si el modo de bloqueo de teclas está activo. Pulse el botón de bloqueo de teclas simultáneamente durante 3 segundos. El indicador de bloqueo de teclas se apagará y el modo de bloqueo de teclas se cancelará.


Pulse el botón de **bloqueo de teclas** para evitar modificar los ajustes de temperatura del frigorífico ()

8. Eco fuzzy


Pulse el botón Eco-Fuzzy y manténgalo pulsado durante 1 segundo para activar la función eco fuzzy. El frigorífico comenzará a funcionar en el modo más económico durante un mínimo de 6 horas y el indicador de uso económico se iluminará cuando esta función esté activa. () . Pulse y mantenga pulsado el botón Eco-Fuzzy y manténgalo pulsado durante 3 segundos para activar la función eco fuzzy.

Esta luz se iluminará después de 6 horas cuando la función eco fuzzy esté activada.

9. Botón de ajuste de la temperatura del compartimento congelador

Pulse este botón para ajustar la temperatura del compartimento congelador a -18, -19, -20, -21, -22, -23, -24, -18... respectivamente. Pulse este botón para ajustar la temperatura del compartimento del frigorífico al valor deseado. ()


10. Indicador de apagado del Icematic

Indica si el Icematic está encendido o apagado. () Si está encendido, entonces significa que el icematic no está en funcionamiento. Para activar de nuevo el Icematic, mantenga pulsado el botón de activación/desactivación durante 3 segundos.



El flujo de agua desde el depósito se detendrá al seleccionar esta función. No obstante, podrá seguir extrayendo del Icematic el hielo ya fabricado.

11. Función de congelado rápido/ botón de encendido-apagado del icematic.

Pulse brevemente este botón para activar o desactivar la función de enfriamiento rápido. Cuando active la función, el compartimento congelador se enfriará hasta alcanzar una temperatura inferior al valor fijado. ()

Para activar o desactivar el Icematic, mantenga el botón pulsado durante 3 segundos.



Use la función de congelación rápida cuando desee congelar con rapidez los alimentos depositados en el compartimento frigorífico. Si desea enfriar grandes cantidades de alimentos frescos, active esta función antes de depositar los alimentos en el aparato.

Funcionamiento del aparato



Si no cancela manualmente la función de congelación rápida, ésta se cancelará automáticamente transcurridas cuatro horas o bien una vez el compartimento frigorífico alcance la temperatura deseada.



En caso de corte del fluido eléctrico, esta función no se activará automáticamente al restablecerse el suministro eléctrico.

12. Indicador del modo ahorro

Indica que el aparato está funcionando en el modo de eficiencia energética. **(eco)** Esta luz estará activada si la temperatura del compartimento del frigorífico está ajustada a -18 o si el enfriamiento eficiente se está llevando a cabo con la función Eco-Extra.



El indicador de uso económico se desactiva al seleccionar las funciones de enfriamiento rápido o congelación rápida.

Funcionamiento del aparato

5.6. Mover el estante de la puerta

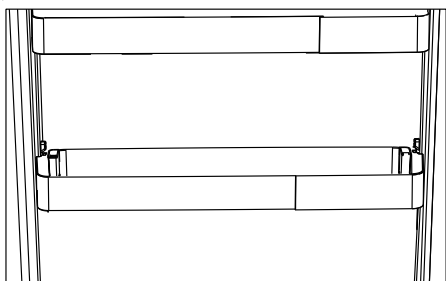
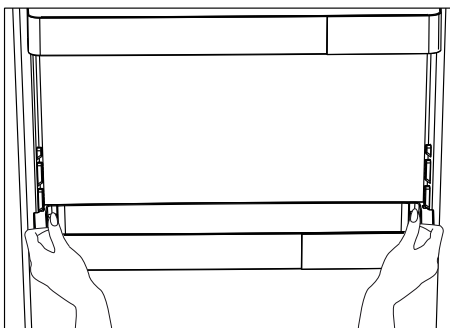
(Característica opcional)

La estantería móvil de la puerta puede fijarse en 3 posiciones diferentes.

Pulse los botones que se muestran a los lados de la misma manera para mover la estantería. La estantería debe ser móvil.

Mueva el estante hacia arriba o hacia abajo.

Suelte los botones cuando la estantería esté en la posición deseada. Debe fijar la estantería en la posición donde suelte los botones.

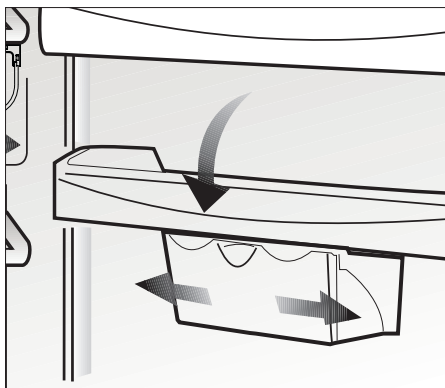


5.7. Contenedor de almacenamiento deslizante

(Característica opcional)

Este accesorio está diseñado para incrementar el volumen útil de los estantes de las puertas.

Le permite colocar con facilidad las botellas, jarras y conservas de mayor altura en el botellero inferior gracias a su capacidad para desplazarse a izquierda o derecha.



5.8. Luz azul

(Característica opcional)

Este accesorio está diseñado para incrementar el volumen útil de los estantes de las puertas.

Le permite colocar con facilidad las botellas, jarras y conservas de mayor altura en el botellero inferior gracias a su capacidad para desplazarse a izquierda o derecha.

Funcionamiento del aparato

5.9. Cubitera

*opcional

- Retire la cubitera del compartimento congelador.
- Llene la cubitera con agua.
- Coloque la cubitera en el compartimento congelador.
- El hielo estará listo en unas dos horas aproximadamente. Retire la cubitera del compartimento congelador y dóblelo ligeramente encima de la bandeja donde lo vaya a servir. El hielo se verterá fácilmente en la bandeja para servir.

5.10. Huevera

Puede instalar la huevera en la puerta o el estante que desee. Si va a colocarlo en los estantes del cuerpo, se recomienda usar los estantes inferiores más fríos.

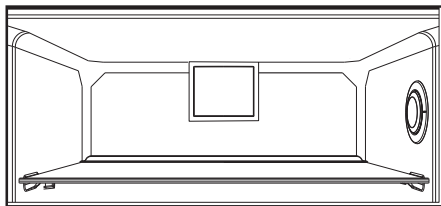


No ponga la huevera en el compartimento congelador

5.11. Ventilador

"El ventilador turbo está diseñado para garantizar una distribución y circulación homogéneas del aire frío en el interior del su frigorífico. El tiempo de funcionamiento puede variar según las propiedades del electrodoméstico.

En algunos modelos, el ventilador funciona únicamente cuando lo hace el compresor, mientras que en otros el sistema de control determina su tiempo de funcionamiento de acuerdo con las necesidades de enfriamiento.



5.12. Cajón de frutas y verduras

El cajón de frutas y verduras de su aparato está especialmente diseñado para mantener la frescura de sus vegetales sin que pierdan su humedad. Con este fin, alrededor del cajón de frutas y verduras se intensifica la circulación de aire frío.

5.13. Compartimento de enfriamiento

(Característica opcional)

Use este compartimento para almacenar delicatessen que deban almacenarse a temperaturas más bajas o productos cárnicos que vaya a consumir dentro de poco tiempo. El compartimento refrigerador es el lugar más frío del frigorífico, donde podrá almacenar productos lácteos, carnes, pescado y carne de ave de corral en las mejores condiciones. No almacene frutas ni verduras en este compartimento.

Funcionamiento del aparato

5.14. Icematic automático

(Característica opcional)

El Icematic automático le permite fabricar hielo en el frigorífico fácilmente. Retire el depósito del agua del compartimento frigorífico, llénelo de agua y vuélvalo a colocar para obtener hielo del sistema Icematic.

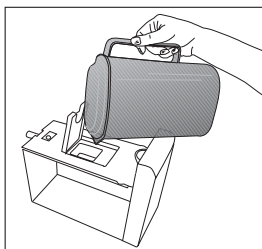
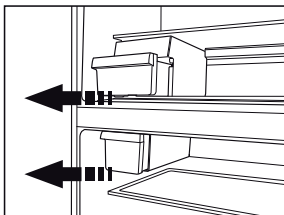
Los primeros cubitos estarán disponibles al cabo de unas dos horas en la cubitera del sistema Icematic ubicada en el compartimento congelador.

Si llena por completo el depósito de agua, podrá obtener aproximadamente entre 60 y 70 cubitos de hielo.

Cambie el agua del depósito de agua si ha estado allí durante 2-3 semanas.



Para los productos que tienen el Icematic automático, se puede oír cuando se esté formando el hielo. Este sonido es normal y en ningún caso indica un fallo.



5.15. Compartimento para verduras con control de humedad

(FreSHelf)

(Característica opcional)

Los niveles de humedad de las frutas y de las verduras se mantienen bajo control con la función del cajón de frutas y verduras con control de humedad y se garantiza que los alimentos se mantengan frescos por más tiempo.

Le recomendamos colocar las verduras de hoja, tales como lechuga, espinaca y aquellas hortalizas sensibles a la pérdida de humedad, en posición horizontal en la medida de lo posible, dentro del cajón, no sobre sus raíces en posición vertical.

Mientras se guardan las frutas y verduras, tenga en cuenta su peso específico. Las frutas y verduras más duras y pesadas deben colocarse en el fondo del cajón y aquellas más blandas y livianas deben ubicarse arriba.

Nunca deje las hortalizas dentro del cajón de frutas y verduras en sus bolsas. Si las hortalizas se dejan dentro de sus bolsas, se descompondrán en un breve período de tiempo. En caso de que no desee que las frutas y verduras estén en contacto entre sí por cuestiones de higiene, utilice un papel perforado, espuma u otros materiales de embalaje similares en lugar de una bolsa. No coloque juntos peras, albaricoques, melocotones, etc. y manzanas, en particular, en el mismo cajón que otras frutas y verduras, ya que tienen un alto nivel de generación de gas etileno. El gas etileno emitido por estas frutas puede ocasionar que las otras frutas maduren más rápido y se echen a perder en poco tiempo.

Funcionamiento del aparato

5.16. Icematic y caja de almacenamiento de hielo

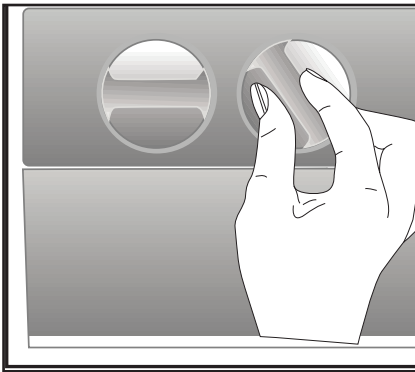
(Opcional)

Llene el icematic con agua y póngalo en marcha. El hielo estará listo después de aproximadamente dos horas. No retire la icematic para tomar el hielo.

Gire los botones de las cámaras de hielo a mano derecha al 90°, el hielo caerá en la caja de almacenamiento de hielo de abajo. A continuación, puede quitar la caja de almacenamiento de hielo y servir el hielo.



La caja de almacenamiento del hielo está destinada para el almacenamiento de hielo solamente. No llene con agua. Si lo hace, hará que se rompa.



5.17. Uso del dispensador de agua

*opcional



Es normal que los primeros vasos de agua servidos por el dispensador estén calientes.



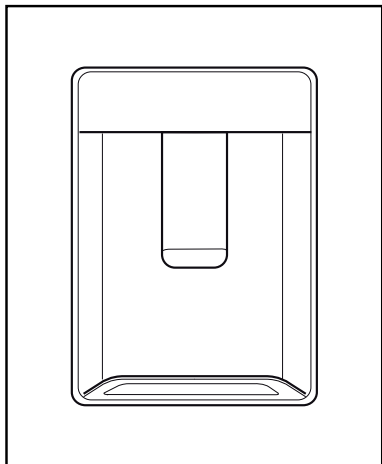
Si no se usa el dispensador de agua durante un periodo de tiempo prolongado, no consuma los primeros vasos de agua.

1. Presione la palanca del dispensador de agua con el vaso. Si está usando un vaso blando de plástico, le será más fácil empujar la palanca con la mano.
2. Una vez haya llenado el vaso hasta el nivel que desee, suelte la palanca.



Tenga en cuenta que el caudal de agua que suministra el dispensador depende del recorrido de la palanca. A medida que el nivel del agua en su copa o vaso llegue al borde, reduzca suavemente la presión ejercida sobre la palanca con el fin de evitar el rebosamiento. Si presiona la palanca levemente el agua goteará, es bastante normal, no se trata de un fallo.

Funcionamiento del aparato



5.18. Uso del dispensador de agua

*opcional

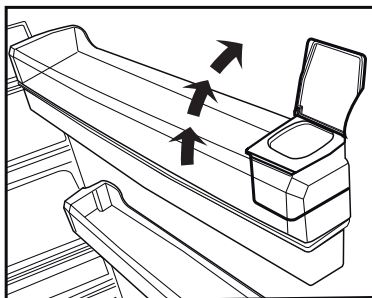
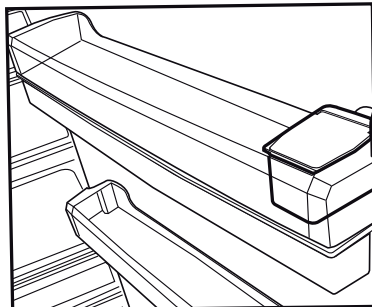


Es normal que los primeros vasos de agua servidos por el dispensador estén calientes.



Si no se usa el dispensador de agua durante un periodo de tiempo prolongado, no consuma los primeros vasos de agua.

1. Presione la palanca del dispensador de agua con el vaso. Si está usando un vaso blando de plástico, le será más fácil empujar la palanca con la mano.
2. Una vez haya llenado el vaso hasta el nivel que desee, suelte la palanca.



Tenga en cuenta que el caudal de agua que suministra el dispensador depende del recorrido de la palanca. A medida que el nivel del agua en su copa o vaso llegue al borde, reduzca suavemente la presión ejercida sobre la palanca con el fin de evitar el rebosamiento. Si presiona la palanca levemente el agua goteará, es bastante normal, no se trata de un fallo.

Funcionamiento del aparato

5.19. Llenar el depósito del dispensador de agua

El depósito de agua se encuentra dentro de la bandeja de la puerta.

1. Abra la tapa del depósito.
2. Llene el depósito con agua potable.
3. Cierre la cubierta.



No vierta en el depósito de agua ningún otro líquido que no sea agua; la bebidas tales como los zumos de frutas, bebidas carbonatadas o bebidas alcohólicas no son adecuadas para el dispensador de agua. El dispensador de agua quedará dañado de forma irreparable si se utilizan dichos líquidos. La garantía no cubre estos usos. Algunas sustancias químicas y aditivos que contienen esos tipos de bebidas/líquidos pueden dañar el depósito de agua.



Utilice únicamente agua potable limpia.



La capacidad del depósito de agua es de 3 litros, no lo llene excesivamente.

Funcionamiento del aparato

5.20. Limpieza del depósito de agua

1. Retire el depósito de llenado de agua del interior de la rejilla de la puerta.
2. Retire la rejilla de la puerta sujetando por ambos lados.
3. Sujete el depósito de agua por ambos lados y retírelo en un ángulo de 45°C.
4. Retire la tapa del depósito y limpie el depósito.



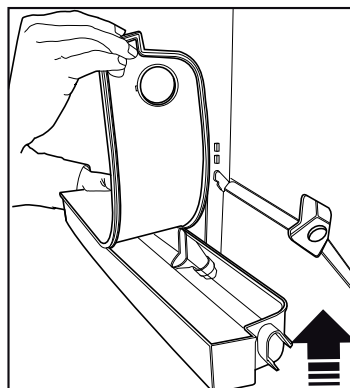
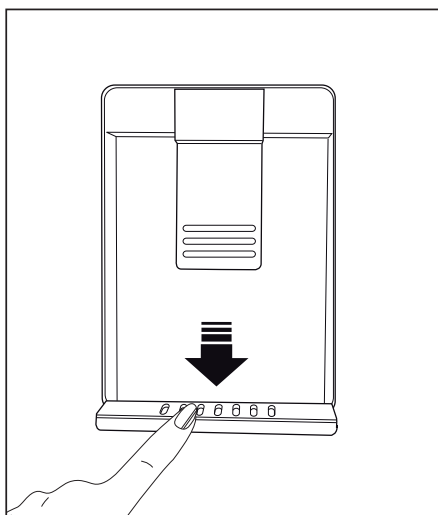
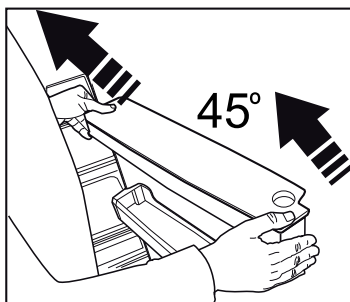
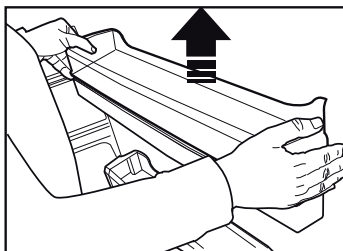
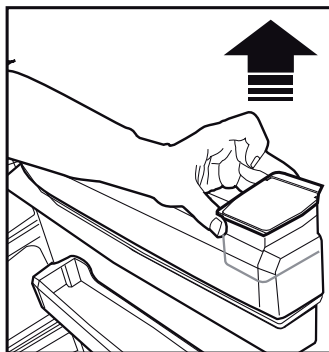
Los componentes del depósito de agua y del dispensador de agua no deben lavarse en el lavavajillas.

5.21. Bandeja de goteo

El agua que gotea durante el uso del dispensador de agua se acumula en la bandeja de derramamiento.

Retire el filtro de plástico tal y como se muestra en la figura.

Enjuague el agua acumulada con un trapo limpio y seco.



Funcionamiento del aparato

5.22. Congelación de alimentos frescos

- Para preservar la calidad de los alimentos, debe congelarlos tan pronto como sea posible cuando los coloque en el compartimento congelador. Utilice la función de congelación rápida para esta finalidad.
- Puede guardar los alimentos durante más tiempo en el compartimento congelador cuando los congele cuando estén frescos.
- Envuelva los alimentos que vaya a congelar y cierre el envase para que quede hermético.
- Asegúrese de envolver bien los alimentos antes de colocarlos en el congelador. Use contenedores para congelador, láminas y papeles antihumedad, bolsas de plástico y otros materiales de embalaje en vez de papeles de embalaje tradicionales.

- Etiquete cada paquete de alimentos con la fecha antes de congelarlos. De esta manera, podrá distinguir el frescor de cada paquete de alimentos cada vez que abra el congelador. Guarde los alimentos congelados en la parte frontal del compartimento para asegurar que se consuman primero.



El compartimento del congelador se deshuela de manera automática.

- Consuma inmediatamente los alimentos recién descongelados, y no los vuelva a congelar.
- No congele cantidades demasiado grandes de una sola vez.

Funcionamiento del aparato

5.23. Recomendaciones para la conservación de alimentos congelados

El compartimento no debe estar a más de -18°C .

1. Coloque los paquetes de alimentos congelados en el congelador lo antes posible tras su compra sin dejar que se descongelen.
2. Compruebe si las fechas de consumo preferente y caducidad de los envases han vencido o no antes de congelarlos.
3. Asegúrese de que el envase de comida no esté dañado.

5.24. Información sobre la congelación

Los alimentos sólo pueden conservarse durante periodos prolongados de tiempo a temperaturas de -18°C o menos.

Los alimentos frescos pueden conservarse durante muchos meses en el congelador a temperaturas de -18°C o menos.

No deje que los alimentos entren en contacto con alimentos previamente congelados, con el fin de evitar que éstos puedan descongelarse parcialmente.

Hierva las verduras y drene el agua para almacenarla durante más tiempo ya que estarán congeladas. Después de descargar el agua, colóquelos en paquetes herméticos y colóquelos dentro del congelador.

Alimentos tales como plátanos, tomates, lechuga, huevos duros y patatas hervidas saladas no son aptas para la congelación. Cuando estos alimentos estén congelados, su valor nutricional y sabor pueden verse afectados negativamente. Esto podría crear un riesgo para la salud humana.

5.25. Colocar los alimentos

Estantes del compartimento congelador	Alimentos congelados diversos tales como carnes, pescados, helados, verduras, etc.
Estantes del compartimento frigorífico	Alimentos en cazuelas, platos cubiertos y recipientes cerrados, huevos (en recipientes cerrados)
Estantes de la puerta del compartimento frigorífico	Alimentos o bebidas en envases pequeños
Cajón de frutas y verduras	Verduras y frutas

Funcionamiento del aparato

Compartimento de alimentos frescos	Las delicatessen (comida de desayuno, productos cárnicos que vayan a consumirse en poco tiempo)
------------------------------------	---

5.26. Aviso de puerta abierta

(Característica opcional)

El frigorífico emitirá una señal acústica de aviso cuando la puerta del aparato permanezca abierta más de un 1 minuto. Esta advertencia quedará silenciada cuando se cierre la puerta o se pulse cualquiera de los botones de la pantalla (si los hay). La advertencia de puerta abierta se da tanto en forma visual como acústica. Si la advertencia prosigue durante 10 minutos, las luces interiores se apagarán.

5.27. Cambio de la dirección de apertura de la puerta

Puede cambiar la dirección de apertura de la puerta de su frigorífico en función del lugar en donde lo use. Si es necesario, o por favor, llame al servicio técnico más cercano.

La descripción anterior es una información acerca del cambio de la dirección de la puerta, deberá consultar la etiqueta de advertencia del lado interior de la puerta.

5.28. Lámpara de iluminación

Las luces LED se usan como lámparas de iluminación. Contacte con un servicio técnico autorizado en caso de que haya algún problema con este tipo de luz.

La(s) luz(es) usadas en este aparato no son aptas para la iluminación de las habitaciones del hogar. El fin previsto de la luz es ayudar al usuario a colocar alimentos en el frigorífico/congelador de una manera segura y cómoda.

La vida útil del aparato aumentará si lo limpia regularmente.



ADVERTENCIA: Desenchufe primero el aparato antes de limpiarlo.

- No utilice nunca para la limpieza herramientas afiladas o abrasivas, jabones, limpiadores domésticos, detergentes ni ceras abrillantadoras.
- Disuelva una cucharadita de bicarbonato en medio cuarto de agua. Empape un trapo en la solución y escúrralo totalmente. Limpie el interior del aparato con este paño y luego séquelo totalmente.
- Asegúrese de que no penetre agua en el alojamiento de la lámpara ni otros elementos eléctricos.
- Utilice un paño húmedo para limpiar la puerta. Para retirar la puerta y los estantes, retire todos sus contenidos. Retire los estantes de la puerta tirando de ellos hacia arriba. Tras limpiarlos, deslícelos de arriba hacia abajo para su colocación.
- Nunca use agentes de limpieza o agua que contengan cloro para limpiar las superficies exteriores y los cromados del producto. ya que el cloro corroe dichas superficies metálicas.
- No use herramientas afiladas o abrasivas, jabón, agentes de limpieza domésticos detergentes, queroseno, gasolina, barniz, etc. para eliminar las huellas dactilares de las piezas de plástico. Use agua tibia un un paño suave para limpiarlo, y luego séquelo.

6.1. Cómo evitar malos olores

Nuestros electrodomésticos no se fabrican con materiales que puedan producir olores. Sin embargo, una conservación inadecuada de los alimentos y la falta de limpieza de la superficie interior del electrodoméstico pueden dar lugar a un problema de olores.

Por lo tanto, limpie el frigorífico con bicarbonato disuelto en agua cada 15 días.

- Conserve los alimentos en recipientes cerrados. Los microorganismos que proliferan en los envases no cubiertos pueden causar malos olores.
- Retire del frigorífico los alimentos cuya fecha de caducidad haya vencido y estén en mal estado.

6.2. Protección de las superficies de plástico

Límpielos con agua caliente inmediatamente, puesto que el aceite podría dañar las superficies de plástico.

6.3. Vidrios de las puertas

Retire la lámina protectora de los vidrios.

Hay una capa que reduce al mínimo la formación de manchas y ayuda a eliminarlas con facilidad, así como la suciedad que pueda depositarse. Los vidrios que no disponen de este recubrimiento de protección pueden verse sometidos a la acción persistente de sustancias orgánicas o inorgánicas presentes en el aire o el agua como por ejemplo cal, sales minerales, hidrocarburos sin quemar, óxidos de metal y siliconas que pueden causar con facilidad y rapidez manchas o daños materiales. Resulta muy difícil mantener el vidrio siempre limpio, a pesar de la limpieza regular. En consecuencia, el aspecto y la transparencia del vidrio se deteriora. Los métodos y productos de limpieza fuertes y corrosivos intensificarán estos efectos y acelerarán el proceso de deterioro.

Limpie siempre los vidrios con productos de limpieza con base acuosa que no sean alcalinos ni corrosivos.

Utilice siempre productos no alcalinos ni corrosivos para la limpieza, a fin de prolongar al máximo la vida útil de este recubrimiento.

Son vidrios templados para incrementar su resistencia frente a impactos y roturas.

La superficie posterior de los vidrios cuenta con una película de seguridad que evita que cause daños a los objetos circundantes en caso de rotura.

7 Resolución de problemas

Consulte la siguiente lista antes de llamar al servicio técnico. Si lo hace podrá ahorrar tiempo y dinero. La lista incluye las quejas más comunes que no tienen relación con un problema de fabricación ni con el material usado. Puede que ciertas características mencionadas aquí no sean de aplicación a este aparato.

El frigorífico no funciona.

- El enchufe de alimentación no está colocada correctamente. >>> Enchúfelo para colocarlo correctamente en la toma de alimentación.
- El fusible conectado a la toma de corriente del aparato o el fusible principal están fundidos. >>> Compruebe los fusibles.

Condensación en la pared lateral del compartimento frigorífico (MULTIZONA, CONTROL DE FRÍO y FLEXI ZONA).

- El ambiente es demasiado frío. >>> No instale el aparato en ambientes con una temperatura por debajo de -5°C .
- La puerta se abre con demasiada frecuencia >>> Intente no abrir la puerta tan a menudo.
- El ambiente es demasiado húmedo. >>> No instale el aparato en ambientes demasiado húmedos.
- Los alimentos que contengan líquidos están guardados en recipientes no sellados. >>> Guarde los alimentos que contengan líquidos en recipientes sellados.
- La puerta del aparato se ha dejado abierta. >>> No deje la puerta del aparato abierta durante mucho tiempo.
- El termostato está ajustado a un nivel muy bajo. >>> Ajuste el termostato a una temperatura adecuado.

El compresor no funciona.

- En caso de que haya un apagón repentino o de desenchufar el cable y enchufarlo de nuevo, la presión de gas del sistema de refrigeración del aparato no estará equilibrada, lo que accionará la protección térmica del compresor. El aparato se reiniciará aproximadamente al cabo de 6 minutos. Si el aparato no se reinicia después de este período, contacte con el servicio técnico.
- La descongelación está todavía activo. >>> Esto es normal en un congelador con descongelación automática. La descongelación se realiza periódicamente.
- El aparato no está enchufado. >>> Asegúrese de que el cable de alimentación está enchufado.
- El ajuste de temperatura es incorrecto. >>> Seleccione el ajuste de temperatura adecuado.
- Se ha cortado el suministro eléctrico. >>> El aparato seguirá funcionando con normalidad una vez que el suministro se haya restablecido.

El ruido de funcionamiento del frigorífico aumenta durante su uso.

- Tales valores variarán en función de las fluctuaciones de la temperatura ambiente. Esto es perfectamente normal, y no constituye una avería.

El frigorífico está mucho tiempo funcionando o se enciende con demasiada frecuencia.

Resolución de problemas

- Puede que su nuevo aparato sea más grande que el que tenía anteriormente. Los aparatos más grandes funcionarán durante más tiempo.
- Puede que la temperatura ambiente sea alta. >>> El aparato funcionará normalmente durante largos períodos de tiempo con una temperatura ambiente más alta.
- Puede que el aparato se haya enchufado recientemente o que se haya colocado un nuevo alimento en su interior. >>> El aparato tardará más en alcanzar la temperatura cuando haya sido enchufado recientemente o cuando se coloque un nuevo alimento en su interior. Esto es normal.
- Puede que se haya colocado grandes cantidades de alimentos calientes en el aparato. >>> No coloque alimentos calientes en el aparato.
- Las puertas se han abierto demasiado a menudo o se dejan abiertas durante largos períodos de tiempo. >>> El aire circulante en el interior hará que el aparato funcione durante más tiempo. No abra las puertas con demasiada frecuencia.
- Puede que el congelador o la puerta del congelador esté entreabierta. >>> Compruebe que las puertas estén totalmente cerrados.
- Puede que el aparato esté configurado con una temperatura demasiado baja. >>> Fíjela la temperatura a un grado más alto y espere a que el aparato alcance la temperatura establecida.
- Es posible que la junta de la puerta del compartimento frigorífico o congelador esté sucia, desgastada, rota o no asentada correctamente. >>> Limpie o sustituya la junta. Una junta de puerta rota / dañada hará que el aparato funcione durante más tiempo para preservar la temperatura actual.

La temperatura del frigorífico es muy baja, pero la del congelador es adecuada.

- La temperatura del compartimento congelador está fijada a un grado muy bajo. >>> Fíjela a un grado más alto y compruébelo de nuevo.

La temperatura del frigorífico es muy baja, mientras que la del congelador es adecuada.

- La temperatura del compartimento congelador está fijada a un grado muy bajo. >>> Fíjela a un grado más alto y compruébelo de nuevo.

Los alimentos depositados en los cajones del compartimento frigorífico están congelados.

- La temperatura del compartimento congelador está fijada a un grado muy bajo. >>> Fíjela a un grado más alto y compruébelo de nuevo.

La temperatura del congelador o del frigorífico es demasiado alta.

Resolución de problemas

- La temperatura del compartimento congelador está fijada a un grado muy bajo. >>> La temperatura del compartimento refrigerador incide en la temperatura del compartimento congelador. Cambie las temperaturas del frigorífico o el congelador y espere hasta que la temperatura de los compartimentos correspondientes estén a un nivel adecuado.
- Las puertas se han abierto demasiado a menudo o se dejan abiertas durante largos períodos de tiempo. >>> No abra las puertas con demasiada frecuencia.
- Puede que la puerta esté entreabierta. >>> Cierre la puerta totalmente.
- Puede que el aparato se haya enchufado recientemente o que se haya colocado un nuevo alimento en su interior. >>> Esto es normal. El aparato tardará más en alcanzar la temperatura cuando haya sido enchufado recientemente o cuando se coloque un nuevo alimento en su interior.
- Puede que se haya colocado grandes cantidades de alimentos calientes en el aparato. >>> No coloque alimentos calientes en el aparato.

Sacudidas o ruidos.

- El suelo no está nivelado o estable. >>> Si el aparato vibra, ajuste los pies para equilibrarlo. Compruebe además que el suelo sea lo suficientemente firme para soportar el aparato.
- Cualquier elemento colocado en el aparato puede provocar ruidos >>> Retire cualquier elemento colocado en el producto.

El aparato emite ruido del líquido en circulación, pulverización, etc.

- Los líquidos y gases fluyen en función de los principios de funcionamiento del frigorífico. >>> Esto es normal y no es una avería.

El aparato emite un ruido de soplido de viento.

- El aparato usa un ventilador para el proceso de refrigeración. Esto es perfectamente normal, y no constituye una avería.

Hay condensación en las paredes internas del aparato.

- El tiempo cálido y húmedo favorece la formación de hielo y la condensación. Esto es perfectamente normal, y no constituye una avería.
- Las puertas se han abierto demasiado a menudo o se dejan abiertas durante largos períodos de tiempo. >>> No abra las puertas con demasiada frecuencia. Si las abre, ciérrelas.
- Puede que la puerta esté entreabierta. >>> Cierre la puerta totalmente.

Hay condensación en el exterior del aparato o entre sus puertas.

- Puede que haya humedad en el aire; es algo bastante normal en climas húmedos. >>> Cuando el grado de humedad descienda, la condensación desaparecerá.

Resolución de problemas

El interior huele mal.

- El producto no se limpia regularmente. >>> Limpie el interior regularmente con una esponja, agua caliente y bicarbonato.
- Ciertos recipientes y materiales de embalaje pueden causar mal olor. >>> Utilice recipientes y materiales de embalaje libres de malos olores.
- Los alimentos están guardados en recipientes no sellados. >>> Guarde los alimentos en recipientes sellados. Los microorganismos pueden propagarse fuera de los recipientes de alimentos y causar olores desagradables.
- Retire cualquier alimentos caducado o descompuesto del aparato.

La puerta no cierra.

- Puede que los paquetes de comida estén bloqueando la puerta. >>> Recoloque los elementos que estén bloqueando la puerta.
- El aparato no está colocado en el suelo en una posición totalmente vertical. >>> Ajuste los soportes para equilibrar el aparato.
- El suelo no está equilibrado o no es sólido. >>> Compruebe además que el suelo esté nivelado y que sea capaz de soportar el peso del frigorífico.

El cajón de las verduras está atascado.

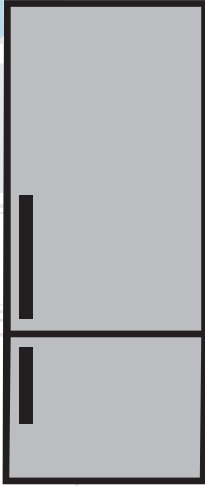
- Puede que los alimentos estén en contacto con la sección superior del cajón. >>> Reorganice los alimentos del cajón.



ADVERTENCIA: Si el problema persiste después de seguir las instrucciones en este apartado, contacte con un distribuidor o con el servicio técnico autorizado. No intente reparar el aparato.

Buzdolabı

Kullanma kılavuzu



TR

beko

Lütfen önce bu kılavuzu okuyun!

Değerli Müşterimiz,

Modern tesislerde üretilen ve titiz kalite kontrol işlemlerinden geçirilen üründen en iyi verimi almanızı istiyoruz.


Kullanma kılavuzu ürünü hızlı ve güvenli bir şekilde kullanmanıza yardımcı olur.

- Güvenlikle ilgili talimatlara mutlaka uyun.
- Daha sonra ihtiyacınız olabileceği için kullanma kılavuzunu kolay ulaşabileceğiniz bir yerde saklayın.
- Ürünle birlikte verilen diğer belgeleri de okuyun.
- Üretici ürün üzerinde değişiklik yapma hakkını saklı tutar.

Bu kullanma kılavuzunun başka modeller için de geçerli olabileceğini unutmayın.

Semboller ve açıklamaları

Kullanma kılavuzunda şu semboller yer almaktadır:

	Önemli bilgiler veya faydalı ipuçları.
	Can ve mal tehlikesi.
	Elektrik çarpması riski.
	Ürünün ambalajı, Ulusal Çevre Mevzuatımız gereği geri dönüştürülebilir malzemelerden üretilmiştir.



Bu ürün çevreye saygılı modern tesislerde doğaya zarar vermeden üretilmiştir.

İçindekiler

1 Güvenlik ve çevre talimatları3

- 1.1. Genel güvenlik 3
- 1.1.1 HC uyarısı 5
- 1.1.2 Su pınarlı modeller için 6
- 1.2. Kullanım amacı 6
- 1.3. Çocuk güvenliği 7
- 1.4. AEEE yönetmeliğine uyum ve atık ürünün elden çıkarılması 7
- 1.5. Ambalaj bilgisi 7

2 Buzdolabınız 8

3 Kurulum 9

- 3.1. Kurulum için doğru yer 9
- 3.2. Plastik takozların takılması 9
- 3.3. Ayakların ayarlanması 9
- 3.4. Elektrik bağlantısı 10
- 3.5. Kapıların yönünün değiştirilmesi11
- 3.6. Kapıların yönünün değiştirilmesi12

4 Ön hazırlık 13

- 4.1. Enerji tasarrufu için yapılması gerekenler 13
- 4.2. İlk kullanım 13

5 Ürünün kullanımı 14

- 5.1. Sıcaklık ayar düğmesi 14
- 5.2. Hızlı dondurma 14
- 5.3. Tatil fonksiyonu 15
- 5.4. Gösterge paneli 16
- 5.5. Buz kabı 21
- 5.6. Yumurtalık 21
- 5.7. Fan 21
- 5.8. Sebzelik 21
- 5.9. Sıfır derece bölmesi 21
- 5.10 Hareketli kapı rafı 22
- 5.11. Kayar saklama kabı 22
- 5.12. Mavi Işık 22
- 5.13. Nem kontrollü sebzelik 23
- 5.14. Otomatik buz makinası 23
- 5.15. Buzmatik ve Buz Saklama Kabı 24
- 5.16 Su pınarı 24
- 5.17 Su Pınarının Kullanılması 24
- 5.18. Su deposunun temizlenmesi .. 25
- 5.19. Su tepsisi 26
- 5.20. Taze yiyeceklerin dondurulması 27
- 5.21. Donmuş gıdaların saklanmasıyla ilgili tavsiyeler 27
- 5.22. Derin dondurucu bilgileri 28
- 5.23. Gıdaların yerleştirilmesi 28
- 5.24. Kapı açık uyarısı 28
- 5.25. Kapı açılış yönü değişimi 28
- 5.26. Aydınlatma lambası 28

6 Bakım ve temizlik 29

- 6.1. Kötü kokuların önlenmesi 29
- 6.2. Plastik yüzeylerin korunması .. 29
- 6.3. Kapı camları 30

7 Sorun giderme 31

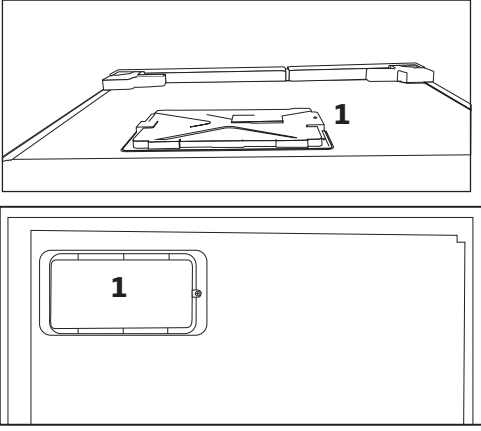
Bu bölümde, yaralanma ya da maddi hasar riskini ortadan kaldıracak gerekli güvenlik talimatları yer almaktadır. Bu talimatlara uyulmaması halinde ürün her türlü garanti kapsamından çıkacaktır.

1.1. Genel güvenlik

- Bu ürün, fiziksel, duyuşal, zihinsel engelleri bulunan; tecrübe ve bilgi eksiğı olan kişilerin ve çocukların kullanımına uygun değildir. Cihazın bu kişilerce kullanımı ancak bu kişilerin güvenliğınden sorumlu birinin gözetimi altında gerekli talimatların verilmesi durumunda uygundur. Çocukların cihaz ile oynaması sakıncalıdır.
- Çalışırken arıza yapması durumunda ürünü fişten çekin.
- Ürünün fişini prizden çektikten sonra, fişi tekrar takmak için en az 5 dakika bekleyin.
- Ürün kullanımında değilse fişini çekin.

- Fişe ıslak ellerle kesinlikle dokunmayın! Fişi çekmek için kablosundan tutmayın, her zaman fişten tutarak çekin.
- Elektrik fişinin ucunu, prize takarken kuru bir bez ile silin.
- Priz gevşekse buzdolabının fişini prize takmayın.
- Kurulum, bakım, temizlik ve tamir işlemleri sırasında ürünün fişini prizden çekin.
- Ürün uzun süre kullanılmayacaksa fişini elektrik prizinden çekin ve içindeki yiyecekleri çıkarın.
- Ürününüzün üst veya arka bölümünde bulunan ve içinde elektronik kartların bulunduğu bölme (elektronik kart kutusu kapağı) (1) açıkken ürün kesinlikle kullanılmamalıdır.

Güvenlik ve çevre talimatları



- Buzdolabındaki temizleme ve eritme işlemi için kesinlikle buhar veya buharlı temizlik malzemeleri kullanmayın. Buhar, buzdolabındaki elektrikli bölgelere temas ederek kısa devre veya elektrik çarpmasına neden olur!
- Ürünü üzerine su püskürterek veya su dökerek kesinlikle yıkamayın! Elektrik çarpma tehlikesi vardır!
- Elektrik çarpma riski olduğu için ürün arızalı iken kesinlikle çalıştırılmamalıdır. Yetkili servisle iletişime

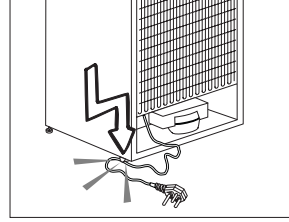
- geçmeden herhangi bir işlem yapmayın.
- Ürünü, topraklı bir prize bağlayın. Topraklama tesisatı uzman bir elektrikçi tarafından yapılmalıdır.
 - Ürününüzde led tipi aydınlatma var ise;değiştirileceği zaman veya herhangi bir sorunda yetkili servisi çağırınız.
 - Dondurulmuş yiyeceklere ıslak elle dokunmayın! Elinize yapışabilirler!
 - Şişe ve kutulardaki sıvı içecekleri dondurucu bölmesine koymayın. Patlayabilirler!
 - İçecekleri, ağızları sıkı bir şekilde kapalı ve dik olarak yerleştirin.
 - Yangın veya patlama riski olduğu için, ürünün yakınında yanıcı spreyler püskürtmeyin.
 - Yanıcı ve yanıcı gaz içeren ürünleri (sprey vb.) ve patlayıcı maddeleri

Güvenlik ve çevre talimatları

- buzdolabında saklamayın.
- Ürünün üstüne içi sıvı dolu kaplar koymayın. Elektrikli bir parçanın üzerine su sıçrarsa elektrik çarpması ve yangın riski ortaya çıkar.
 - Ürünü yağmur, kar, güneş ve rüzgâra maruz bırakmak elektrik güvenliği açısından tehlikelidir. Ürününüzün yerini değiştirirken kapı sapından tutarak çekmeyin. Sap yerinden çıkabilir.
 - Ürünün içinde bulunan hareketli aksamlara elinizi veya vücudunuzun herhangi bir kısmını sıkıştırmamaya dikkat edin.
 - Buzdolabındaki kapı ve çekmece gibi kısımları kesinlikle destek veya basamak olarak kullanmayın. Ürünün devrilmesine veya aksamlarının zarar

görmesine neden olursunuz.

- Şebeke kablosunun ezilmemesine dikkat edin.



1.1.1 HC uyarısı

Ürün R600a gazı içeren soğutma sistemine sahipse kullanım ve taşıma sırasında soğutma sisteminin ve boruların zarar görmemesine dikkat edin. Bu gaz yanıcıdır. Soğutma sistemi zarar görmüşse, ürünü, sistemin alev almasına neden olabilecek potansiyel kaynaklardan uzak tutun ve ürünün bulunduğu odayı hemen havalandırın.

Güvenlik ve çevre talimatları



Ürünün hangi gazla üretildiği bilgisi ürünün sol iç kısmındaki etikette yer alır.

1.1.2 Su pınarlı modeller için

- Soğuk su girişi için basınç maksimum 90 PSi (6.2 bar) olmalıdır. Eğer su basıncınız 80PSi (5,5 bar) değerini aşıyor ise şebeke sisteminizde basınç limitleme valfi kullanınız. Eğer su basıncınızı nasıl kontrol edeceğinizi bilmiyorsanız profesyonel tesisatçılardan yardım alınız.
- Eğer tesisatınızda su darbesi etkisi görülme riski varsa tesisatınızda mutlaka su darbesi önleyici ekipman kullanınız. Eğer su darbesinin yokluğundan emin değilseniz profesyonel tesisatçılardan yardım alınız.

- Sıcak su girişine montaj yapmayınız. Hortumların donma riskine karşı önlem alınız. Su sıcaklığı çalışma aralığı minimum 33°F (0.6°C), maksimum 100°F (38°C) olmalıdır.
- Yalnızca içme suyu kullanın.

1.2. Kullanım amacı

- Bu ürün evde kullanılmak üzere tasarlanmıştır. Ticari amaçlı kullanıma uygun değildir.
- Ürün, yalnızca yiyecek ve içecek saklanması için kullanılmalıdır.
- Hassas sıcaklık kontrolü gerektiren ürünleri (aşı, ısıya duyarlı ilaç, tıbbi malzemeler vb.) buzdolabında saklamayın.
- Üretici, hatalı kullanım veya taşıma nedeniyle oluşan herhangi bir zarardan dolayı sorumluluk kabul etmez.

Güvenlik ve çevre talimatları

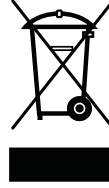
- Satın almış olduğunuz ürünün kullanım ömrü 10 yıldır. Ürünün fonksiyonunu yerine getirebilmesi için gerekli yedek parça bulundurma süresidir.

1.3. Çocuk güvenliği

- Ambalaj malzemeleri çocuklar için tehlikeli olduğundan ulaşamayacakları bir yerde bulunmalıdır.
- Çocukların ürünle oynamalarına izin vermeyin.
- Ürünün kapısında kilit varsa, anahtar çocukların ulaşamayacağı bir yerde muhafaza edilmelidir.

1.4. AEEE yönetmeliğine uyum ve atık ürünün elden çıkarılması

Bu ürün, T.C. Çevre ve Şehircilik Bakanlığı tarafından yayımlanan "Atık Elektrikli ve Elektronik Eşyaların Kontrolü Yönetmeliği"nde belirtilen zararlı ve yasaklı maddeleri içermez. AEEE Yönetmeliğine uygundur.



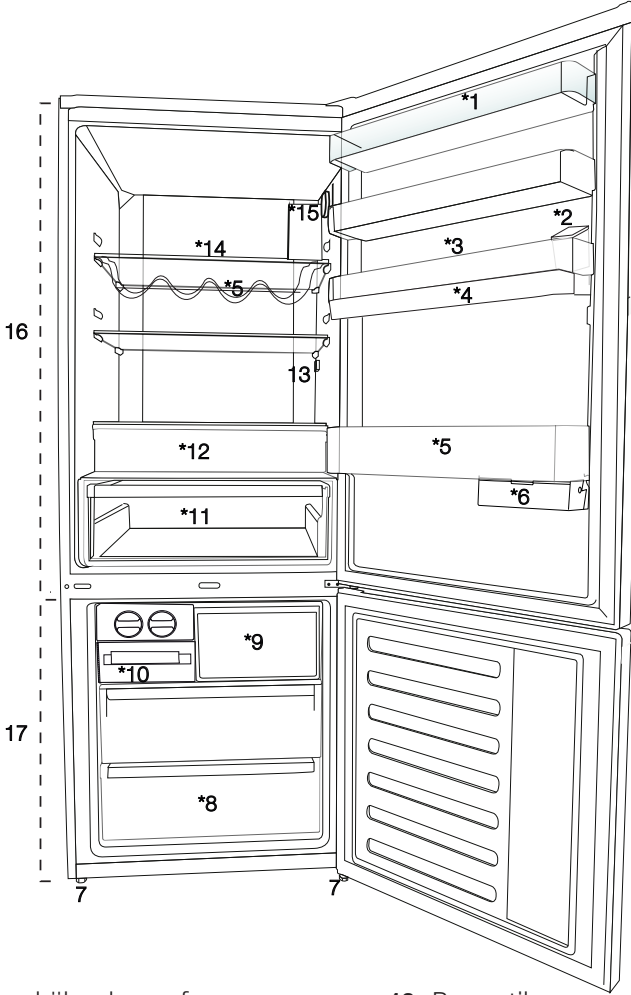
Bu ürün, geri dönüşümlü ve tekrar kullanılabilir nitelikteki yüksek kaliteli parça ve malzemelerden üretilmiştir. Bu nedenle ürünü, kullanım ömrünün sonunda evsel veya diğer atıklarla birlikte atmayın.

Elektrikli ve elektronik cihazların geri dönüşümü için bir toplama noktasına götürün. Bu toplama noktalarını bölgenizdeki yerel yönetimden öğrenebilirsiniz. Kullanılmış ürünleri geri dönüşüme vererek çevrenin ve doğal kaynakların korunmasına yardımcı olabilirsiniz. Ürünü atmadan önce çocukların güvenliği için elektrik fişini kesin ve kapıda kilit varsa çalışmaz duruma getirin.

1.5. Ambalaj bilgisi

- Ürünün ambalajı, Ulusal Mevzuatımız gereği geri dönüştürülebilir malzemelerden üretilmiştir. Ambalaj atığını evsel veya diğer atıklarla birlikte atmayın, yerel yönetiminin belirttiği ambalaj toplama noktalarına atın.

2 Buzdolabınız



1. Soğutucu bölme kapı rafı
2. Su pınarı doldurma haznesi
3. Yumurtalık
4. Su pınarı deposu
5. Şişe rafı
6. Kayar saklama kabı
7. Ayarlanabilir ayaklar
8. Derin dondurucu bölmesi
9. Hızlı dondurma bölmesi
10. Buzmatik
11. Sebzelik
12. Sıfır derece bölmesi
13. Aydınlatma lambası
14. Soğutucu bölme cam rafı
15. Sıcaklık ayar düğmesi
16. Soğutucu bölme
17. Dondurucu bölme



***opsiyonel:**Bu kullanma kılavuzunda yer alan şekiller örnek olarak verilmiş olup ürününüzle birebir aynı olmayabilir. Satın almış olduğunuz üründe ilgili parçalar yoksa, şekil başka modeller için geçerlidir.

3.1. Kurulum için doğru yer

Ürünün kurulumu için Yetkili Servisi arayın. Ürünü kullanıma hazır duruma getirmek için, kullanma kılavuzundaki bilgilere bakarak elektrik tesisatı ve su tesisatının uygun olmasına dikkat edin. Değilse ehliyetli bir elektrikçi ve tesisatçı çağırarak gerekli düzenlemeleri yaptırın.



UYARI: Yetkili olmayan kişilerce yapılan işlemlerin neden olabileceği zararlardan üretici firma sorumlu değildir.



UYARI: Kurulum esnasında ürünün elektrik fişi prize takılı olmamalıdır. Aksi halde ölüm ya da ciddi yaralanma tehlikesi vardır!



UYARI: : Ürünün yerleştirileceği odanın kapı aralığı, ürünün geçemeyeceği kadar darırsa, olmuyorsa yetkili servisi arayın.

- Sarsıntıları önlemek için ürünü düz bir zemine yerleştirin.
- Ürünü ocak, kalorifer peteği ve soba gibi ısı kaynaklarından en az 30 cm, elektrikli fırınlardan en az 5 cm uzağa kurun.
- Ürünü doğrudan güneş ışığına maruz bırakmayın ve rutubetli yerde bulundurmeyin.
- Ürününün verimli çalışabilmesi için çevresinde uygun bir hava dolaşımı olmalıdır. Ürünü duvara girintili bir yere yerleştirilecekseniz tavanla ve yan duvarlarla arasında en az 5 cm boşluk olmasına dikkat edin.
- Sıcaklığın -5°C'nin altına düştüğü ortamlara ürünü kurmayın.

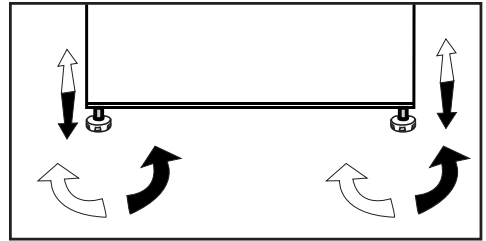
3.2. Plastik takozların takılması

Ürünle duvar arasındaki hava dolaşımını sağlayacak mesafe'yi korumak için ürün içerisinde çıkan plastik takozlar kullanılmaktadır.




1. Takozları takmak için üründeki vidaları söküp plastik takozlarla birlikte verilen vidaları kullanın.
2. 2 adet plastik takozu şekilde görüldüğü gibi arka havalandırma kapağına takın.

3.3. Ayakların ayarlanması

Ürün, yerleştirdiğiniz yerde dengesiz duruyorsa öndeki ayar ayaklarını sağa veya sola döndürerek ayarlayın.



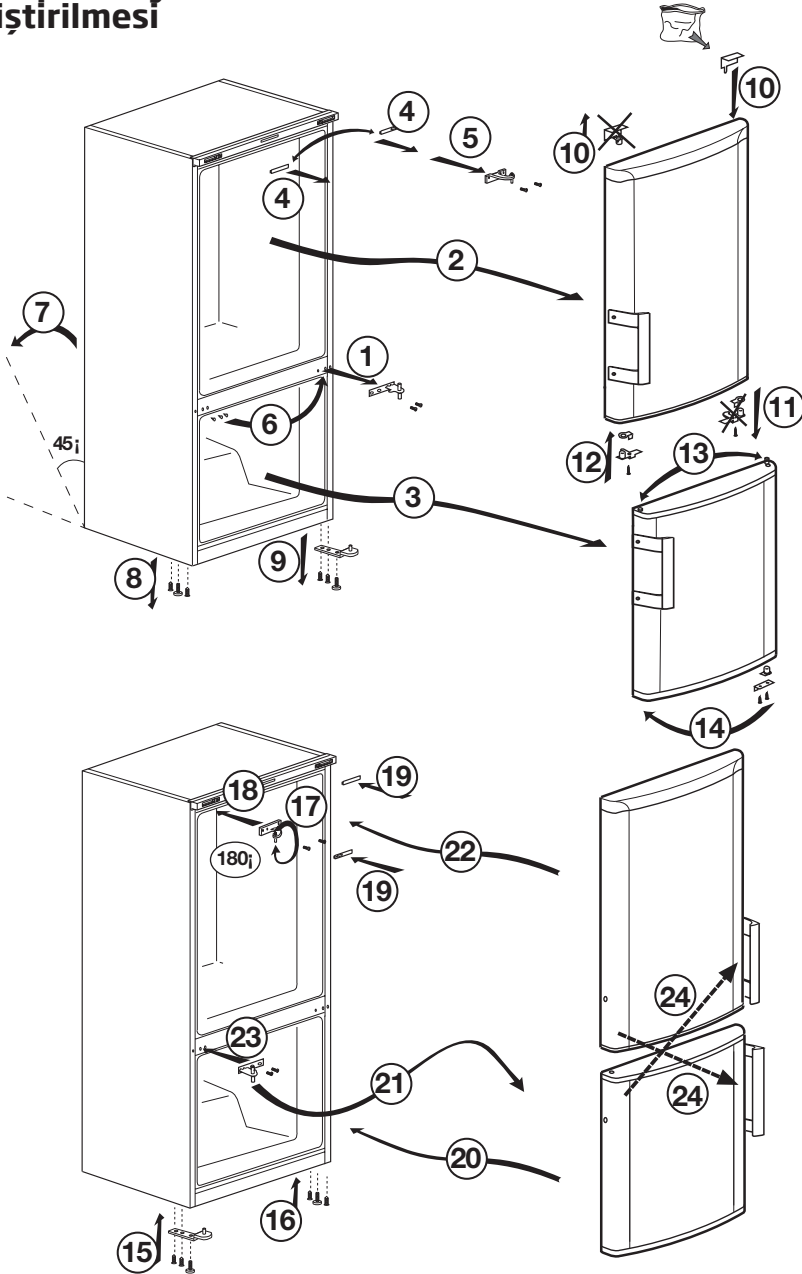
3.4. Elektrik bağlantısı

	UYARI: Uzatma kabloları ya da çoklu prizlerle bağlantı yapmayın.
	UYARI: Hasar görmüş elektrik kablosu Yetkili Servis tarafından değiştirilmelidir.
	İki soğutucu yan yana yerleştiriliyorsa aralarında en az 4 cm boşluk bırakılmalıdır.

- Ürünün ulusal yönetmeliklere uygun topraklama ve elektrik bağlantısı yapılmadan kullanılması halinde ortaya çıkacak zararlardan firmamız sorumlu olmayacaktır.
- Elektrik kablosunun fişi, kurulumdan sonra kolay erişilebilir olmalıdır.
- Buzdolabınızı voltaj değeri 220-240V /50 Hz olan, toprak hattına sahip bir prize bağlayınız. Priz, 10-16A değerinde bir sigortaya sahip olmalıdır.
- Buzdolabınız ile duvar prizi arasında uzatma kablolu veya kablosuz çoklu grup priz kullanmayınız.

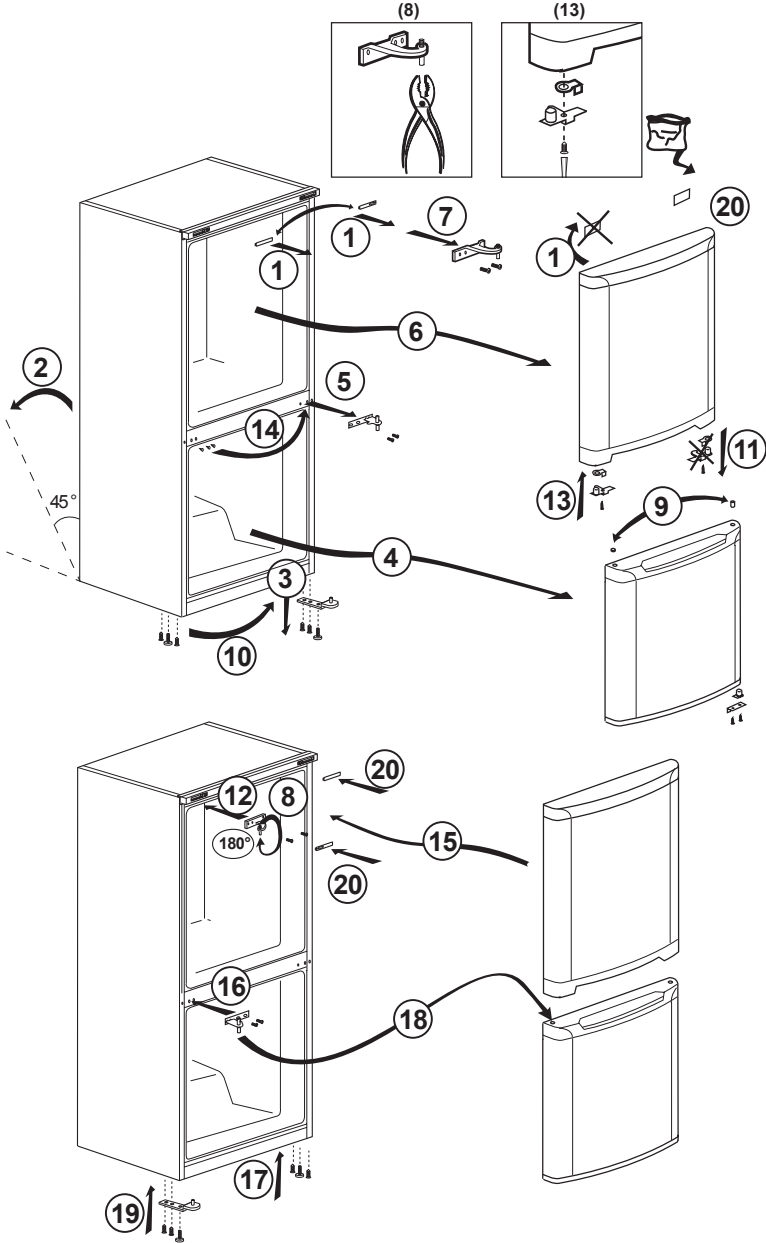
Kurulum

3.5.Kapıların yönünün değiştirilmesi



Kurulum

3.6. Kapılarının yönünün değiştirilmesi



4 Ön hazırlık

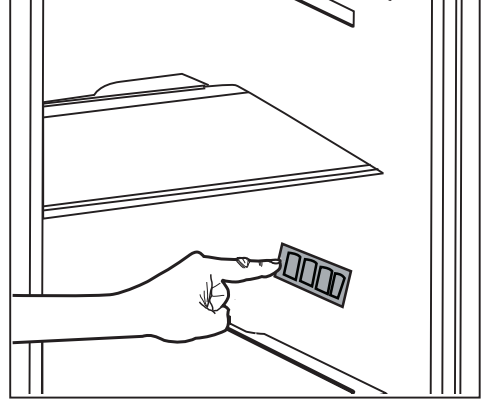
4.1. Enerji tasarrufu için yapılması gerekenler



Ürünün elektronik enerji tasarruf sistemlerine bağlanması, ürüne zarar verebileceği için sakıncalıdır.

- Buzdolabınızın kapılarını uzun süre açık tutmayın.
- Buzdolabınıza sıcak yiyecek ya da içecek koymayın.
- Buzdolabını aşırı doldurmayın, içerideki hava akımı engellendiğinde soğutma kapasitesi düşer.
- Buzdolabınızın dondurucu bölümüne en fazla gıdayı yüklemek için üst çekmeceler çıkartılarak cam raf üzerine yüklenmelidir. Buzdolabınızın beyan edilen enerji tüketimi, maksimum yüklemeye imkân sağlayacak şekilde buzluk, buz tepsi ve üst çekmeceler çıkarılarak belirlenmiştir. Yükleme yaparken alt çekmecenin kullanılması önemle tavsiye edilir. En iyi enerji tüketimi için enerji tasarrufu işlevi aktif olmalıdır.
- Dondurucu bölme fanı önüne gıda koyarak hava akışı bloke edilmemelidir. Koruyucu fan teli önünde minimum 3cm boşluk bırakılarak gıdalar yüklenmelidir.
- Ürününüzün özelliğine bağlı olarak; dondurulmuş gıdaları soğutucu bölmede çöz dürmeniz, hem enerji tasarrufu sağlayacak hem de gıdanın kalitesini koruyacaktır.
- Enerji tasarrufu sağlamak ve gıdaları daha iyi ortamda korumak için soğutma bölümündeki çekmeceler kullanılarak gıdalar saklanmalıdır.
- Dondurucu bölme yer alan sıcaklık sensörü ile gıda paketlerinin doğrudan teması engellenmelidir. Sensör ile temas olması halinde cihazın enerji tüketiminde artış görülebilir.

- Yiyecekleri aşağıdaki şekilde belirtilen soğutucu bölme sıcaklık sensörüne temas ettirmeyin.



4.2. İlk kullanım

Buzdolabınızı kullanmaya başlamadan önce, "Güvenlik ve çevre talimatları" ve "Kurulum" bölümündeki talimatlara uygun hazırlıkların yapıldığından emin olun.

- Ürünü 6 saat boyunca yiyecek koymadan boş olarak çalıştırın ve kapısını çok gerekmedikçe açmayın.



Kompresör çalışmaya başladığında bir ses duyacaksınız. Soğutma sistemi içerisindeki sıkışmış sıvı ve gazlar, kompresör çalışmıyor olsa da ses çıkarabilir ve bu normaldir.



Ürünün ön kenarları sıcak olabilir. Bu normaldir. Bu alanlar, yoğuşmayı önlemek için ısınacak şekilde tasarlanmıştır.



Bazı modellerde gösterge paneli kapı kapandıktan 5 dakika sonra otomatik olarak sönmektedir. Kapı açıldığında veya herhangi bir tuşa basıldığında, tekrar aktif hale gelecektir.

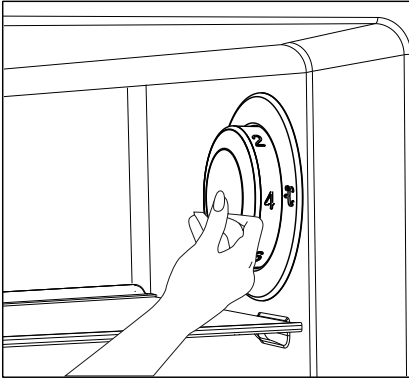
5.1. Sıcaklık ayar düğmesi

Buzdolabınızın iç sıcaklığı aşağıda belirtilen nedenlerden dolayı değişiklik gösterir:

- Mevsim sıcaklıkları,
- Kapısının sık sık açılması ve uzun süre açık kalması,
- Oda sıcaklığına düşürülmeden buzdolabınıza sıcak konan yemekler,
- Buzdolabının oda içerisindeki konumu (güneş ısısına maruz kalması gibi).
- Bu nedenlerden dolayı değişkenlik gösteren iç sıcaklığı, ayar düğmesi vasıtasıyla ayarlayabilirsiniz.

Ayar düğmesinin etrafındaki rakamlar "°C" olarak sıcaklık derecelerini göstermektedir.

Ortam sıcaklığı 25°C ise, buzdolabının sıcaklık ayar düğmesi 4°C konumunda kullanılması önerilmektedir. Diğer ortam sıcaklıklarında bu değer ihtiyaca göre artırılıp azaltılabilir.

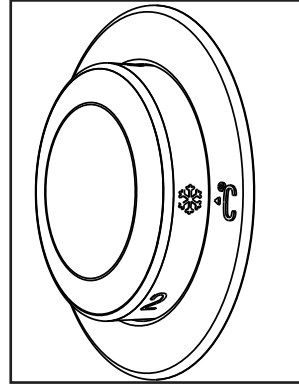


5.2. Hızlı dondurma

Büyük miktarda taze gıda dondurmak istiyorsanız gıdaları hızlı dondurma bölmesine koymadan 24 saat önce sıcaklık ayar düğmesini (❄️) konumuna getirin.


Dondurma kapasitesi olarak belirtilen maksimum miktarda taze gıdayı dondurmak için düğmenin en az 24 saat süreyle bu konumda tutulması önerilir. Dondurulmuş olarak satılan gıdalarla taze gıdaların karışmamasına özellikle dikkat edin.

Gıda dondurulduktan sonra sıcaklık ayar düğmesini önceki konumuna getirmeyi unutmayın.



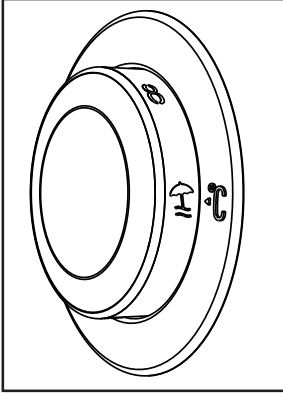
Ürünün kullanımı

5.3. Tatil fonksiyonu

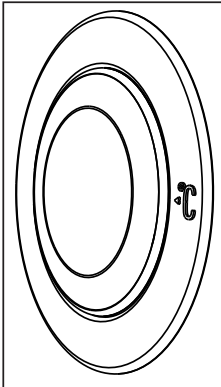
Sıcaklık ayar düğmesi en sıcak konuma () alındıktan sonra ürünün kapıları en az 12 saat açılmaz ise Tatil fonksiyonu otomatik olarak devreye girecektir.

Fonksiyonu iptal etmek için düğme ayarı değiştirilmelidir.

Tatil fonksiyonu aktifken soğutucu bölmede gıda saklanması önerilmez.



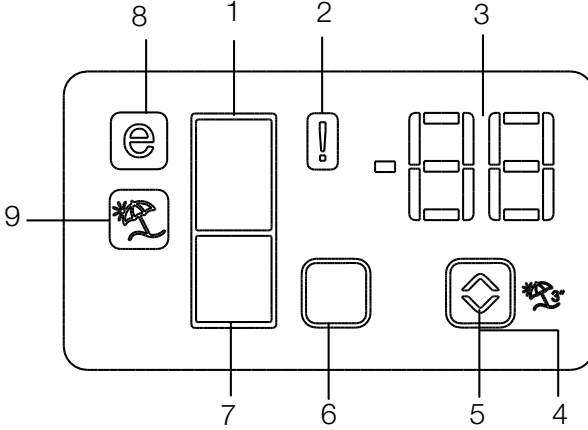
- Ayar işlemi tamamlandıktan sonra, sıcaklık ayar düğmesi'ni içeri bastırarak gizlenmesini sağlayabilirsiniz.



Ürünün kullanımı

5.4. Gösterge paneli

Gösterge panelleri, ürününüzün modeline göre değişiklik gösterebilir. Gösterge panelindeki işitsel ve görsel fonksiyonlar ürünü kullanmanıza yardımcı olur.



1. Soğutucu bölme göstergesi
2. Hata durumu göstergesi
3. Sıcaklık göstergesi
4. Tatil fonksiyon düğmesi
5. Sıcaklık ayar düğmesi
6. Bölme seçim düğmesi
7. Dondurucu bölme göstergesi
8. Ekonomi modu göstergesi
9. Tatil fonksiyonu göstergesi

***opsiyonel**



***Opsiyonel:** Bu kullanıcı kılavuzunda yer alan şekiller taslaaktır ve ürünle birebir aynı olmayabilir. Satın almış olduğunuz üründe ilgili parçalar yoksa, bunlar başka modeller için geçerlidir.

Ürünün kullanımı

1. Soğutucu bölme göstergesi

Soğutucu bölme sıcaklığı ayarlanırken soğutucu bölme ışığı yanar.

2. Hata durumu göstergesi

Buzdolabınız yeterli soğutma yapmıyorsa ya da bir sensör arızası meydana gelirse, bu gösterge devreye girer. Bu gösterge aktif olduğunda, dondurucu bölmesi sıcaklık göstergesinde "E", soğutucu bölmesi sıcaklık göstergesinde ise "1,2,3..." gibi rakamlar görüntülenir. Göstergedeki bu rakamlar, servis personeline hata hakkında bilgi verir.(🔊)

3. Sıcaklık göstergesi

Dondurucu, soğutucu bölme sıcaklığını gösterir.

4. Tatil fonksiyonu düğmesi

Bu fonksiyonu aktiflemek için Tatil düğmesine 3 sn basın. Tatil fonksiyonu aktif olduğunda, soğutucu bölmesi sıcaklık göstergesinde "- -" ibaresi görünür ve soğutucu bölmesinde hiçbir aktif soğutma işlemi gerçekleştirilmez. Bu fonksiyonda, yiyeceklerinizi soğutucu bölmesinde tutmanız uygun değildir. Diğer bölmeler, bunlar için ayarlanmış sıcaklıklara göre soğutulmaya devam edecektir.

Bu fonksiyonu iptal etmek için tekrar

Tatil düğmesine basın.(🔊)

5. Sıcaklık ayar düğmesi

İlgili bölme sıcaklığını -24°C... -18°C ve 8°C...1°C arasında değiştirir.(🔊)

6. Bölme seçim düğmesi

Seçim düğmesi soğutucu ve dondurucu bölmeleri arasında geçiş yapmak için buzdolabı bölme seçim düğmesine basın.(□)

7. Dondurucu bölme göstergesi

Dondurucu bölme sıcaklığı ayarlanırken soğutucu bölme ışığı yanar.

8. Ekonomi modu göstergesi

Buzdolabının, enerji tasarruf modunda çalıştığını belirtir. Bu gösterge, dondurucu bölmesinin sıcaklığı -18°C'ye ayarlanmışsa aktif olacaktır.(🔊)

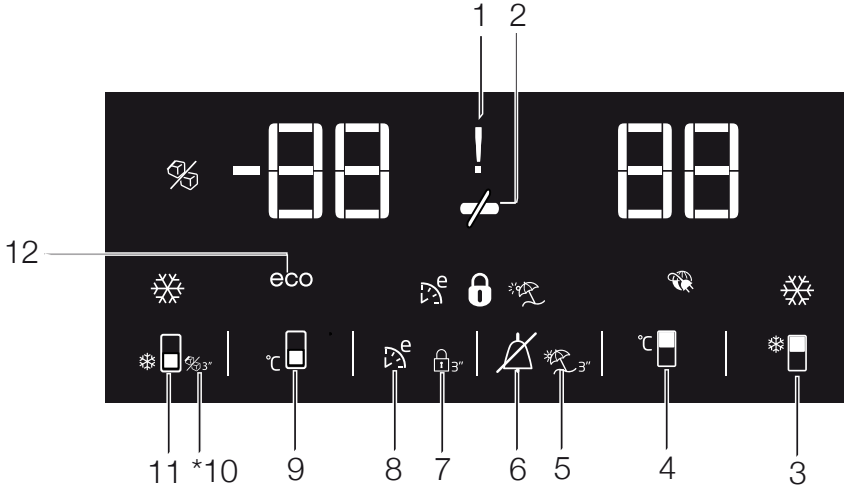
9. Tatil fonksiyonu göstergesi

Tatil fonksiyonunun aktif olduğunu gösterir.(🔊)

Ürünün kullanımı

Gösterge paneli

Gösterge paneli, ürünün kapısını açmadan sıcaklığı ayarlamanızı ve ürünle ilgili diğer fonksiyonları kontrol etmenizi sağlar. Fonksiyon ayarları için sadece ilgili düğmelerin yazılarına dokunmanız yeterlidir.



1. Elektrik kesintisi/Yüksek sıcaklık / hata uyarısı

Bu gösterge (⚡) elektrik kesintisi, yüksek sıcaklık arızası durumunda ve hata uyarılarında yanar. Uzun süre elektrik kesintisi olduğunda, dondurucu bölme sıcaklığının ulaştığı en sıcak değer, digital göstergede yanıp söner. Dondurucu bölme gıdaları kontrol edildikten sonra (🔕)alarm off düğmesine basılarak uyarı silinir. Bu göstergelyi açık görürseniz lütfen kılavuzunuzdaki "sorunlar için önerilen çözümler" bölümüne bakın.

2. Enerji tasarrufu (ekran kapalı)

Ürünün kapılarının açılıp kapanmadığı zamanlarda enerji tasarrufu fonksiyonu otomatik olarak devreye girer ve enerji tasarrufu simgesi yanar. (🔌)

Enerji tasarrufu fonksiyonu etkinleştirildiğinde enerji tasarrufu simgesi dışında ekrandaki tüm simgeler söner. Enerji tasarrufu fonksiyonu etkinken herhangi bir düğmeye basılır ya da kapı açılırsa, enerji tasarrufu fonksiyonundan çıkarılır ve ekrandaki simgeler normale döner.



***Opsiyonel:** Bu kullanıcı kılavuzunda yer alan şekiller taslaktır ve ürünle birebir aynı olmayabilir. Satın almış olduğunuz üründe ilgili parçalar yoksa, bunlar başka modeller için geçerlidir.

Ürünün kullanımı

Enerji tasarrufu fonksiyonu fabrika çıkışı aktif bir fonksiyondur, iptal edilemez.

3.Hızlı soğutma fonksiyonu

Düğmenin iki fonksiyonu vardır. Hızlı soğutma fonksiyonunu etkinleştirmek veya devre dışı bırakmak için basıp bırakın. Hızlı soğutma göstergesi sönecek ve ürün normal ayarlarına geri dönecektir. (❄️)



Hızlı soğutma fonksiyonunu soğutucu bölmeye koyduğunuz yiyecekleri hızlı bir şekilde soğutmak istediğinizde kullanın. Büyük miktarda taze yiyecek soğutmak istiyorsanız, yiyecekleri ürüne yerleştirmeden önce fonksiyonu etkinleştirin.



Hızlı soğutma fonksiyonu iptal edilmezse en fazla 8 saat sonra veya dondurucu bölme yeterli soğukluğa ulaştığında otomatik olarak iptal olur.



Hızlı soğutma düğmesine kısa aralıklarla tekrar tekrar basarsanız, elektrik devre koruması etkinleşir ve kompresör hemen devreye girmez.



Elektrik kesintisi sonrası bu fonksiyon hatırlanmaz.

4. Soğutucu bölme sıcaklık ayar düğmesi

Bu düğmeye basıldığında soğutucu bölme sıcaklığı sırayla 8, 7,6, 5,4,3, 2, 8... değerlerine ayarlanabilir. Soğutucu bölme sıcaklığını istediğiniz değere ayarlamak için bu düğmeye basın.(🌡️)

5.Tatil fonksiyonu

Tatil fonksiyonunu aktive etmek için bu düğmeye (🏠)3 saniye basın, tatil modu göstergesi (🌞) devreye girer.Tatil fonksiyonu aktif olduğunda, soğutucu bölmesi sıcaklık göstergesinde "-" ibaresi görünür ve soğutucu bölmesinde hiçbir aktif soğutma işlemi gerçekleştirilmez. Bu fonksiyonda, yiyeceklerinizi soğutucu bölmesinde tutmanız uygun değildir. Diğer bölmeler, bunlar için ayarlanmış sıcaklıklara göre soğutulmaya devam edecektir.

Bu fonksiyonu iptal etmek için tekrar **tatil fonksiyonu** düğmesine basın.

6. Alarm off uyarısı

Elektrik kesintisi/yüksek sıcaklık alarmı durumunda dondurucu bölme gıdaları kontrol edildikten sonra alarm off düğmesine basılarak (🔕)uyarı silinir.

7. Tuş kilidi

3 saniye boyunca eş zamanlı olarak tuş kilidi düğmesine (🔒)basın. Tuş kilidi simgesinin

(🔒) ışığı yanar ve tuş kilidi modu etkinleşir. Tuş kilidi modu etkin olduğunda düğmeler çalışmaz. 3 saniye boyunca eş zamanlı olarak tekrar Tuş kilidi düğmesine basın. Tuş kilidi simgesinin ışığı söner ve tuş kilidi modundan çıkarılır.

Eğer buzdolabının sıcaklık ayarının değiştirilmesini engellemek isterseniz **tuş kilidi** düğmesine basın.(🔒)

Ürünün kullanımı

8. Eko fuzzy

Eko fuzzy fonksiyonunu etkinleştirmek için eko fuzzy düğmesine 1 saniye boyunca basılı tutun. Fonksiyon aktifken dondurucu en az 6 saat sonra en ekonomik moda çalışmaya başlayacak ve ekonomik kullanım göstergesi yanacaktır. (E) Eko fuzzy fonksiyonunu devre dışı bırakmak için eko fuzzy fonksiyonu düğmesine 3 saniye boyunca basılı tutun. Bu gösterge eko fuzzy fonksiyonu aktifken 6 saat sonra yanar.

9. Dondurucu bölme sıcaklık ayar düğmesi

Bu düğmeye basıldığında dondurucu bölme sıcaklığı -18,-19,-20,-21,-22,-23,-24,-18... değerlerine sırası ile ayarlanabilir. Dondurucu bölme sıcaklığını istediğiniz değere ayarlamak için bu düğmeye basın. (C)

10. Buzmatik kapalı göstergesi

Buzmatik'in çalışır durumda olup olmadığını gösterir. (S) Yanıyorsa buzmatik çalışmıyor demektir. Buzmatik'i tekrar çalıştırmak için buzmatik açma-kapatma düğmesini 3 saniye basılı tutun.



Bu fonksiyon seçili iken su tankından su alımı duracaktır. Ancak buzmatikteki daha önce yapılmış buzlar alınabilir.

11. Hızlı dondurma fonksiyonu düğmesi/ buzmatik açma-kapatma düğmesi

Hızlı dondurma fonksiyonunu etkinleştirmek veya devreden çıkarmak için bu düğmeye basın.

Fonksiyonu etkinleştirdiğinizde, dondurucu bölme ayarlı sıcaklıktan daha düşük bir değere soğutulacaktır.



Buzmatik'i açmak veya kapatmak için ise yaklaşık 3 saniye basılı tutun.



Hızlı dondurma fonksiyonunu dondurucu bölmeye koyduğunuz yiyecekleri hızlı bir şekilde dondurmak istediğinizde kullanın. Büyük miktarda taze yiyecek dondurmak istiyorsanız, yiyecekleri ürüne yerleştirmeden önce fonksiyonu etkinleştirin.



Hızlı dondurma fonksiyonu iptal edilmezse en fazla 4 saat sonra veya soğutucu bölme yeterli soğukluğa ulaştığında otomatik olarak iptal olur.



Elektrik kesintisi sonrası bu fonksiyon hatırlanmaz.

12. Ekonomik kullanım göstergesi

Ürünün enerji tasarrufu modunda çalıştığını gösterir. (eco) Dondurucu bölme sıcaklığı -18 olarak ayarlandığında veya Eko-Ekstra fonksiyonuyla enerji tasarruflı soğutma gerçekleştirilirken bu gösterge yanar.



Hızlı soğutma veya hızlı dondurma fonksiyonları seçildiğinde ekonomik kullanım göstergesi söner.

Ürünün kullanımı

5.5. Buz kabı

(Bu özellik opsiyoneldir)

- Buz kabını dondurucu bölmeden çıkarın.
- Buz kabını suyla doldurun.
- Buz kabını dondurucu bölmeye yerleştirin. Yaklaşık iki saat sonra buz hazırdir.
- Buz kabını dondurucu bölmeden çıkartıp buzları servis edeceğiniz kabin üzerinde hafifçe bükün. Buzlar kolayca servis kabına dökülecektir.

5.6. Yumurtalık

Yumurtalığı istediğiniz kapı veya gövde rafına koyabilirsiniz. Gövde rafına koyulacaksa daha soğuk alt rafların tercih edilmesi önerilir.

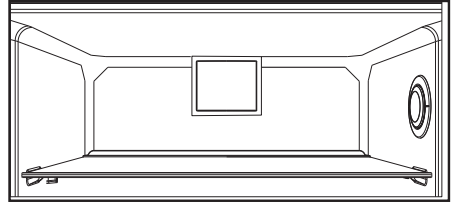


Yumurtalığı kesinlikle dondurucu bölmeye koymayın.

5.7. Fan

Fan buzdolabınızın içindeki soğuk havanın homojen olarak dağılmasını ve dolaşmasını sağlamak için tasarlanmıştır. Fanın çalışma zamanı ürününüzün özelliğine göre farklılık gösterebilir.

Bazı ürünlerde fan sadece kompresör ile birlikte çalışırken, bazılarında soğutma ihtiyacına göre çalışacağı zamanı kontrol sistemi belirler.



5.8. Sebzelik

(Bu özellik opsiyoneldir)

Ürünün sebzeligi, özellikle sebzelerin nemini kaybetmeden taze olarak korunması için tasarlanmıştır. Bu amaçla, sebzeligin genelinde soğuk hava dolaşımı yoğunlaştırılmıştır.

5.9. Sıfır derece bölümü

(Bu özellik opsiyoneldir)

Bu bölümü daha düşük sıcaklıkta saklanması gereken şarküteri ürünlerini veya hemen tüketeceğiniz et ürünlerini saklamak için kullanın. Sıfır derece bölümü, buzdolabınızda süt mamülleri, et, balık veya tavuk gibi gıdaların ideal saklama koşullarında saklanabileceği en soğuk yerdir. Sebze ve/veya meyveler bu bölümde saklanmamalıdır.

Ürünün kullanımı

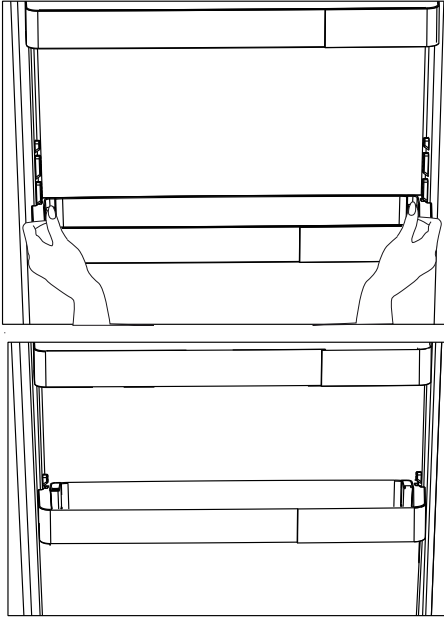
5.10. Hareketli kapı rafı

(Bu özellik opsiyoneldir)

Hareketli Kapı Rafı, 3 ayrı pozisyonda sabitlenebilmektedir. Rafı hareket ettirmek için kenarlarda görülen butonlara aynı oranda basınız. Raf, hareket edebilir duruma gelecektir.

Rafı aşağı ya da yukarı hareket ettiriniz.

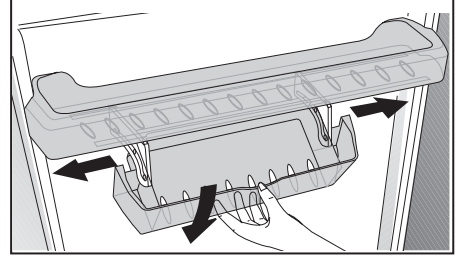
Rafı istediğiniz konuma getirdiğinizde butonları bırakınız. Raf, butonları bıraktığınız yerde tekrar sabitlenecektir.



5.11. Kayar saklama kabı

(Bu özellik opsiyoneldir)

Bu aksesuar kapı raflarının kullanım hacmini arttırmak için tasarlanmıştır. Sağa ve sola hareket etme özelliği sayesinde bir alttaki şişe rafına koyduğunuz uzun şişe, kavanoz veya kutuları rahatlıkla yerleştirebilmenizi sağlar.



5.12. Mavi Işık

(Bu özellik opsiyoneldir)

Mavi ışık ile aydınlatılan sebzeliklerde saklanan gıdalar, mavi ışığın dalga boyu etkisi ile fotosentez yapmaya devam ederek, tazeliklerini korumakta ve vitamin değerlerini arttırmaktadırlar.

Ürünün kullanımı

5.13. Nem kontrollü sebzelik

(Bu özellik opsiyoneldir)

Nem kontrollü sebzelik özelliği ile sebze ve meyvelerin nem oranları kontrol altında tutulmakta ve gıdaların daha uzun süre taze kalmaları sağlanmaktadır.

Marul, ıspanak gibi yapraklı sebzeleri ve nem kaybına duyarlı benzer sebzeleri, kökleri üzerinde dik değil, mümkün merteye yatay konumda sebzeliğe yerleştirmenizi tavsiye ederiz.

Sebzelerin yerleştirilmesi sürecinde sebzelerin özgül ağırlıklarını göz önünde bulundurup, ağır ve sert sebzeleri altta, hafif ve yumuşak sebzeleri üstte kalacak şekilde konumlandırınız.

Sebzelik içerisinde sebzeleri kesinlikle poşet içinde bırakmayınız. Sebzelerin poşet içinde kalmaları, kısa sürede çürümelerine neden olur. Hijyen açısından diğer sebzeler ile temasın tercih edilmediği durumlarda poşet yerine, belirli bir gözenekliliğe sahip kağıt vb. ambalaj malzemeleri kullanınız.

Elma başta olmak üzere, etilen gazı üretimi yüksek olan armut, kayısı, şeftali gibi meyveleri, diğer sebze-meyveler ile aynı sebzelik içerisine yerleştirmeyiniz. Bu meyvelerden açığa çıkan etilen gazı, diğer sebze-meyvelerinizin daha hızlı olgunlaşmasına ve daha kısa sürede çürümelerine neden olabilir.

5.14. Otomatik buz makinesi

(Bu özellik opsiyoneldir)

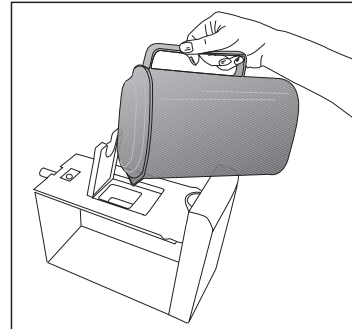
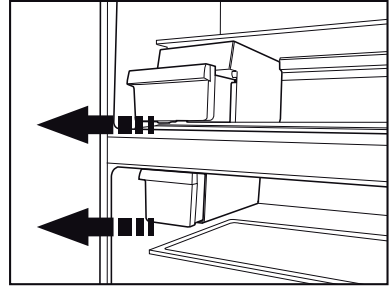
Otomatik buz makinesi, buzdolabında kolayca buz yapmanızı sağlar. Buz makinasından buz elde etmek için soğutucu bölmedeki su tankını çıkarın, suyla doldurun ve yerine takın.

İlk buzlar yaklaşık 2 saat içinde dondurucu bölmedeki Buz makinesi çekmecesinde hazır olacaktır.

Su tankı tamamıyla dolu yerleştirildikten boşalana kadar yaklaşık 60-70 küp buz elde edilebilir. Su tankındaki su 2-3 hafta beklediye değiştirilmelidir.



Otomatik buz makineli ürünlerde, buz dökme esnasında ses oluşabilir. Oluşan bu ses normal olup, hata belirtisi değildir.



Ürünün kullanımı

5.15. Buzmatik ve Buz Saklama Kabı

(Bazı Modellerde)

Buzmatik'in kullanılması

Buzmatığı su ile doldurup yerine koyunuz. Yaklaşık iki saat sonunda buzlarınız hazırdır. Buz almak için buzmatığı yerinden çıkarmayınız.

Buz haznelerinin üzerindeki düğmeleri 90° sağa çeviriniz.

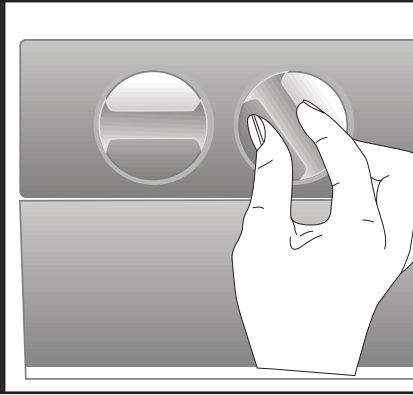
Buz haznelerindeki buzlar alttaki buz saklama kabına dökülecektir.

Daha sonra buz saklama kabını çıkarıp buzları servis yapabilirsiniz.

Dilerseniz buzları, buz saklama kabında bekletebilirsiniz.

Buz saklama kabı

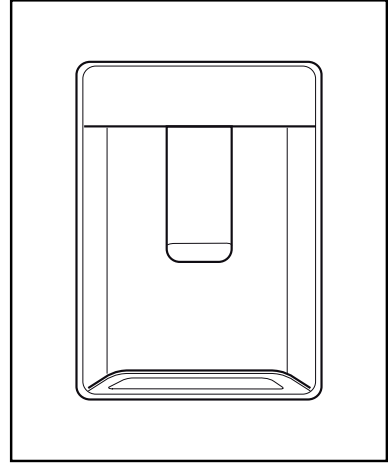
Sadece buz biriktirmek içindir. İçinde su dondurmayınız. Aksi takdirde kırılır.



5.16. Su pınarı

(Bu özellik opsiyondür)

Su pınarı, dolabınızın kapısını açmadan soğuk suya ulaşmaya dayalı son derece kullanışlı bir özelliktir. Buzdolabınızın kapısını sık açmanız gerekmediği için elektrik tasarrufu sağlamış olursunuz.



5.17. Su Pınarının Kullanılması

Su pınarınızın kolunu bardağınızla ittirin. Kolu bıraktığınızda pınarın çalışması durur.

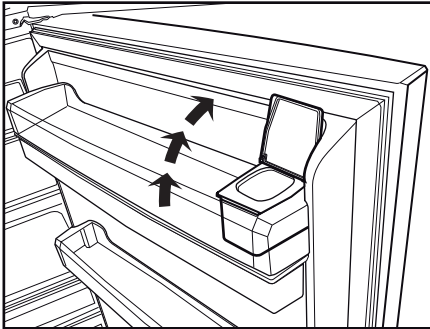
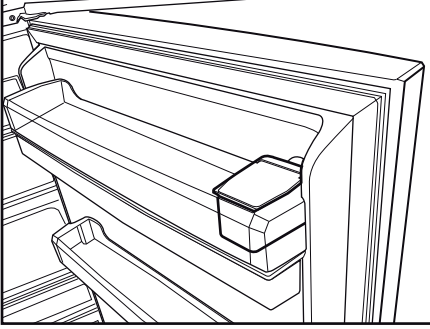
Su pınarını çalıştırırken kola tam basıldığında maksimum akış sağlanır. Pınardan ne kadar su aktığının, kola hangi oranda bastırduğunuzla bağlı olduğunu lütfen unutmayın.

Bardağınızdaki/kabınızdaki su seviyesi yükseldikçe taşmayı önlemek için kol üzerindeki baskı miktarını hafifçe azaltın. Kola az miktarda basarsanız su damlayacaktır; bu tamamen normaldir ve bir arıza değildir.

Ürünün kullanımı

Su pınarının su deposunun doldurulması

Su deposu doldurma haznesi kapı rafının içindedir. Haznenin kapağını açarak saf ve temiz içme suyunu doldurabilirsiniz. Sonrasında kapağı tekrar kapatınız



Dikkat!

- Su deposuna su dışında, meyve suyu, karbonatlı gazlı içecekler, alkollü içecekler gibi su pınarıyla kullanıma uygun olmayan başka bir sıvı doldurmayın. Bu tür sıvılar kullanılırsa su pınarı arızalanacak ve onarılamaz hasar meydana gelecektir. Garanti, bu tür kullanımları kapsamaz. Bu tür içecek / sıvılardaki bazı kimyasal maddeler ve katkı maddeleri de su deposu malzemesine zarar verebilir.
- Sadece temiz ve saf içme suyu kullanın.
- Su deposunun kapasitesi 3 litredir, aşırı doldurmayın.
- Su pınarı kolunu sert bir bardakla ittirin. Plastik atılabilir bardak kullanıyorsanız kolu, bardağın arkasından parmaklarınızla ittirin.

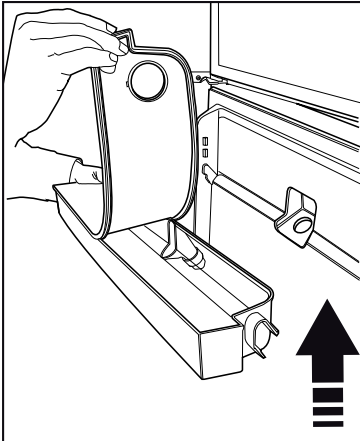
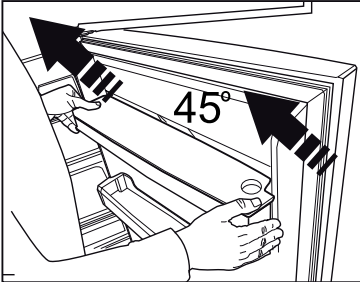
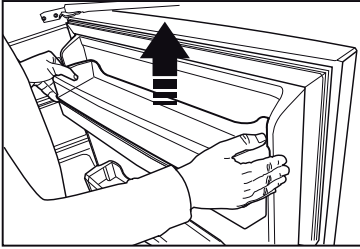
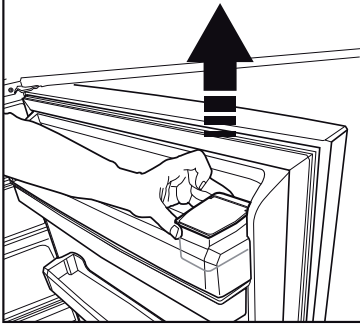
5.18. Su deposunun temizlenmesi

- Kapı rafı içindeki su doldurma haznesini çıkarın.
- Kapı rafını her iki tarafından tutarak yerinden çıkarın.
- Su deposunu her iki tarafından tutarak 45° derece açı ile yerinden çıkarın.
- Su deposu kapağını çıkararak temizleyin.



Su deposu ve su pınarı bileşenleri bulaşık makinesinde yıkanmamalıdır.

Ürünün kullanımı

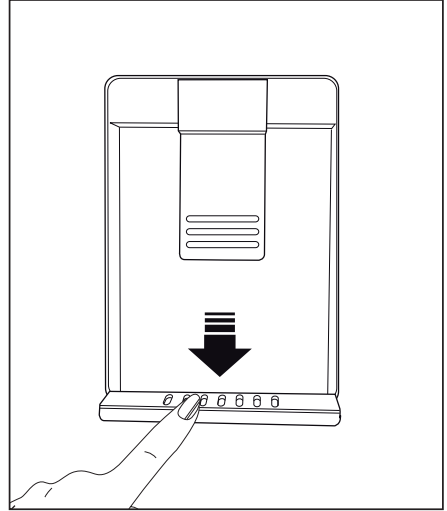


5.19. Su tepsi

Su pınarı kullanılırken damlayan su, damlama tepsisinde birikir.

Plastik süzgeç parçasını şemada gösterildiği gibi çıkartın.

Kuru ve temiz bir bez ile biriken suyu temizleyin



Ürünün kullanımı

5.20. Taze yiyeceklerin dondurulması

- Gıdaların kalitesinin korunabilmesi için dondurucu bölmeye konulduğunda mümkün olduğunca hızlı dondurulmalıdır, bunun için hızlı dondurma özelliğini kullanın.
- Gıdaları tazeyken dondurmanız halinde, dondurucu bölmede daha uzun saklayabilirsiniz.
- Dondurulacak gıdaları paketleyerek, hava almayacak şekilde ağzlarını iyice kapatın.
- Gıdalarınızı dondurucuya koymadan önce paketlenmeye dikkat edin. Klasik ambalaj kağıtları yerine, dondurucu kaplarını, folyolarını ve nem geçirmeyen kağıdı, plastik torba veya diğer paketleme malzemelerini kullanın.



Dondurucu bölmelerindeki buzlar otomatik olarak çözülür.

- Dondurmadan önce her besin paketini, tarih yazarak etiketleyin. Dondurucunuzu her açtığınızda, her besinin tazeliğini bu şekilde ayırt edebilirsiniz. Daha önce dondurulan besinleri ön tarafta saklayarak ilk olarak kullanılmasını sağlayın.

- Dondurulmuş gıdalar çözüldükten sonra derhal kullanılmalı ve tekrar dondurulmamalıdır.
- Çok fazla miktarda yiyeceği bir seferde dondurmayın.

5.21. Donmuş gıdaların saklanmasıyla ilgili tavsiyeler

Bölüm en az -18°C dereceye ayarlı olmalıdır.

1. Ürünleri satın aldıktan sonra çözülmesine fırsat vermeden, olabildiğince kısa süre içinde dondurucuya koyun.
2. Ürünü dondurmadan önce paketin üzerindeki "Son Kullanma" tarihinin geçmediğinden emin olmak için kontrol edin.
3. Gıda ambalajının hasarlı olmamasına dikkat edin.

Dondurucu Bölmesi Ayarı	Soğutucu Bölmesi Ayarı	Açıklamalar
-18°C	4°C	Bu, normal tavsiye edilen ayardır.
-20,-22 veya -24°C	4°C	Bu ayarlar, ortam sıcaklığı 30°C'yi geçtiğinde tavsiye edilir.
Hızlı Dondur	4°C	Yiyeceklerinizi kısa zamanda dondurmak istediğinizde kullanın. İşlem bittiği zaman ürününüz önceki konumuna geri dönecektir.
-18°C veya daha soğuk	2°C	Ortamın sıcak olması veya kapının sık açılıp kapanmasından dolayı soğutucu bölmenizin yeterince soğuk olmadığını düşünüyorsanız, bu ayarları kullanın.

Ürünün kullanımı

5.22. Derin dondurucu bilgileri

IEC 62552 standartlarına göre, her 100 litre dondurucu bölme hacmi için ürünün 25°C oda sıcaklığında 4,5 kg'lık gıda maddesini -18°C veya daha düşük sıcaklıklarda 24 saatte dondurabilmesini gerektirir. Gıda maddelerinin uzun süre korunması ancak -18°C ve daha düşük sıcaklıkta mümkündür.

Gıda maddelerinin tazeliğini (derin dondurucuda -18°C ve daha düşük sıcaklıklarda) aylarca koruyabilirsiniz. Dondurulacak gıda maddeleri daha önce dondurulan yiyeceklerin kısmen çözülmelerini önlemek için onlarla temas ettirilmemelidir.

Sebzelerin dondurulmuş halde depolama sürelerini uzatmak için haşlayın ve suyunu süzün. Süzdükten sonra hava geçirmeyen ambalajlara koyun ve dondurucuya yerleştirin. Muz, domates, marul, kereviz, haşlanmış yumurta, patates vb. besinler dondurulmaya uygun değildir. Bu besinlerin dondurulması durumunda sadece besin değerleri ve yeme kaliteleri olumsuz etkilenecektir. İnsan sağlığını tehdit eden bir bozulma söz konusu değildir.

5.23. Gıdaların yerleştirilmesi

Dondurucu bölme rafları	Et, balık, dondurma, sebze vb. gibi farklı donmuş gıdalar.
Soğutucu bölme rafları	Tencere, kapalı tabak ve kapalı kaplardaki gıdalar, yumurta (kapalı kapta)

Soğutucu bölme kapı rafları	Küçük ve paketlenmiş gıda ya da içecekler
Sebzelik	Sebzeler ve meyveler
Taze gıda bölmesi	Şarküteri ürünleri (kahvaltılık ürünler, kısa sürede tüketilecek et ürünleri)

5.24. Kapı açık uyarısı

(Bu özellik opsiyoneldir)

Ürününüzün kapısı en az 1 dakika süre açık kaldığında uyarı sesi duyulur. Kapı kapatıldığında veya varsa, ekran butonlarından herhangi birine basıldığında bu ses kesilir.

Kapı açık uyarısı hem sesli hem de görsel olarak kullanıcıya gösterilir. Uyarı 10 dk boyunca devam ettiği takdirde iç aydınlatmalar kapanır.

5.25. Kapı açılış yönü değişimi

Kullandığınız yere göre buzdolabınızın kapı açılış yönü değiştirilebilir. Buna ihtiyaç duyduğunuzda mutlaka size en yakın Yetkili Servis'e başvurunuz.

Yukarıdaki açıklama genel bir ifadedir. Kapı açılış yönü değiştirilebilirliği ile ilgili olarak ürünün kapı içinde bulunan, uyarı etiketine bakılmalıdır.

5.26. Aydınlatma lambası

Aydınlatma lambası olarak led tipi lamba kullanılmaktadır. Bu lamba ile ilgili herhangi bir sorunda yetkili servisi çağırın.

Bu cihazda kullanılan lamba(lar) evde aydınlatma amaçlı kullanılmaz. Bu lambanın kullanım amacı güvenli ve rahat bir şekilde buzdolabı / dondurucu besinleri yerleştirmek için kullanıcıya yardımcı olmaktır.

Ürünün düzenli temizlenmesi halinde kullanım ömrü uzar



UYARI: Buzdolabınızı temizlemeden önce elektrik bağlantısını kesin.

- Temizlik için keskin ve aşındırıcı aletler, sabun, ev temizlik maddeleri, deterjan, gaz, benzin, cila vb. maddeler kullanmayın.
- Bir çay kaşığı karbonatı yarım litre suda eritin. Bir bezi bu sıvıyla ıslatıp iyice sıkın. Bu bezle cihazınızın içini silin ve ardından iyice kurulayın.
- Lamba muhafazasına ve diğer elektrikli kısımlara su girmemesine dikkat edin.
- Kapıyı nemli bir bez ile temizleyin. Kapı ve gövde raflarını çıkarmak için içindekilerin tümünü alın. Kapı raflarını yukarı doğru kaldırarak çıkarın. Temizleyip kuruladıktan sonra yukarıdan aşağıya doğru kaydırarak yerine takın.
- Ürünün dış yüzey temizliğinde ve krom kaplı parçaların temizliğinde asla klor içeren su ya da temizlik maddesi kullanmayınız. Klor, bu tür metal yüzeylerde paslanmaya neden olur.
- Plastik parça üzerindeki baskıların kalkmaması ve deforme olmaması için keskin, aşındırıcı aletler, sabun, ev temizlik maddeleri, deterjan, gaz, benzin, cila vb. maddeler kullanmayın. Temizlik için ılık su ile yumuşak bez kullanın ve kurulayın.

6.1. Kötü kokuların önlenmesi

Ürününüzün üretiminde kokuya neden olacak hiçbir madde kullanılmamaktadır. Ancak uygun olmayan yiyecek saklamaya ve ürün iç yüzeyinin gerektiği şekilde temizlenmemesine bağlı olarak koku ortaya çıkabilir.

Bu sorunu önlemek için 15 günde bir karbonatlı suyla temizleyin.

- Yiyecekleri kapalı kaplarda saklayın. Ağzı açık saklanan gıdalardan yayılan mikroorganizmalar kötü kokuya neden olur.
- Saklama süresi dolan ve bozulan gıdaları kesinlikle buzdolabınızda saklamayın.



Çay bilinen en iyi koku alıcılarından biridir.

Demlemiş olduğunuz çay posasını ağzı açık bir kap içinde ürünün içine yerleştirin ve en geç 12 saat sonra alın. Çay posasını ürünün içinde 12 saatten fazla tutarsanız, kokuya sebep olan organizmaları bünyesinde toplayacağı için kokunun kaynağı haline gelebilir.

6.2. Plastik yüzeylerin korunması

Plastik yüzeylere yağ dökülmesi durumunda yüzeye zarar verebileceği için ılık suyla hemen temizlenmelidir.

Bakım ve temizlik

6.3. Kapı camları

Camların üzerindeki koruyucu folyoyu çıkartınız.

Camların yüzeyinde bir kaplama vardır. Bu kaplama leke oluşumunu en aza indiren ve oluşan lekelerin ve kirlerin kolay temizlenmesini sağlayan bir kaplamadır. Kaplama ile korunmamış camlar, kısa sürede ve kolayca, lekelenmeye ve fiziksel hasara yol açan kireç taşı, mineral tuzları, yanmamış hidrokarbonlar, metal oksitler ve silikonlar gibi organik veya anorganik, hava ve su kökenli kirletici etkenlerin kalıcı olarak bağlanmasına maruz kalabilir. Düzenli yıkamaya rağmen camın temiz tutulması, imkansız olmasada çok zor hale gelir. Bunun sonucu olarak, camın berraklığı ve görünümü bozulur. Sert ve aşındırıcı temizleme yöntemleri ve bileşikleri bu kusurları daha da arttırır ve bozulma sürecini hızlandırır.

Rutin temizlik işlemleri için *alkali ve aşındırıcı olmayan, su bazlı temizlik ürünleri kullanılması gerekir.

Bu kaplamanın ömrünün kalıcı olabilmesi için temizlik sırasında alkali ve aşındırıcı olan maddeler kullanılmamalıdır.

Bu camların darbelere ve kırılmaya karşı dayanıklılıklarını arttırmak için temperleme işlemi uygulanmıştır.

Ayrıca bu camlara ek güvenlik olarak, kırılması durumunda çevreye zarar vermemesi için arka yüzeylerine güvenlik filmi uygulanmıştır.

*Alkali, suda çözündüğünde hidroksit iyonları (OH^-) oluşturan bir bazdır.

Li (Lityum), Na (Sodyum), K (Potasyum) Rb (Rubidyum), Cs (Sezyum) ile yapay ve radyoaktif Fr (Fan-siyum) metallerine ALKALI METALLER denir.

Servis çağırmadan önce, bu listeyi gözden geçirin. Bunu yapmak sizi zaman ve para kaybindan kurtarır. Bu liste sık rastlanabilecek, hatalı işçiliğe ya da malzeme kullanımına bağlı olmayan şikayetleri içerir. Bahsedilen bazı özellikler ürününüzde olmayabilir.

Buzdolabı çalışmıyor.

- Fiş prize tam oturmamıştır. >>> Fiş prize tam oturacak şekilde takın.
- Ürünün bağlı olduğu prizın sigortası ya da ana sigorta atmıştır. >>> Sigortayı kontrol edin.

Soğutucu bölmenin (MULTI ZONE, COOL CONTROL ve FLEXI ZONE) yan duvarında terleme.

- Ortam çok soğuktur. >>> Ürünü sıcaklığın -5°C'nin altına düştüğü ortamlara kurmayın.
- Kapı çok sık açılıp kapanmıştır. >>> Ürünün kapısını çok sık açıp kapamamaya dikkat edin.
- Ortam çok nemlidir. >>> Ürünü çok nemli ortamlara kurmayın.
- Sıvı içeren yiyecekler açık kaplarda saklanıyor olabilir. >>> Sıvı içeren yiyecekleri kapalı kaplarda saklayın.
- Ürünün kapısı açık kalmıştır. >>> Ürünün kapısını uzun süre açık tutmayın.
- Termostat çok soğuk bir değere ayarlanmıştır. >>> Termostatı uygun değere ayarlayın.

Kompresör çalışmıyor

- Ani elektrik kesilmesinde veya fişin çıkarılıp takılmasında, ürün soğutma sistemindeki gazın basıncı henüz dengelenmemiş olduğu için kompresör koruyucu termiği atar. Yaklaşık 6 dakika sonra ürün çalışmaya başlayacaktır. Bu süre sonunda ürün çalışmaya başlamazsa servis çağırın.
- Buz çözme devresindedir. >>> Tam otomatik buz çözme yapan bir ürün için bu normaldir. Buz çözme döngüsü periyodik olarak gerçekleşir.
- Ürünün fişi prize takılı değildir. >>> Fişin prize takılı olduğundan emin olun.
- Sıcaklık ayarları doğru yapılmamıştır. >>> Uygun sıcaklık ayarını seçin.
- Elektrik kesilmiştir. >>> Elektrik geldiğinde ürün normal şekilde çalışmaya devam edecektir.

Buzdolabı çalışırken çalışma sesi artıyor.

- Ortam sıcaklığının değişmesine bağlı olarak ürünün çalışma performansı değişebilir. Bu normaldir ve bir arıza değildir.

Buzdolabı çok sık ya da çok uzun süre çalışıyor.

Sorun giderme

- Yeni ürün, eskisinden daha geniş olabilir. Daha büyük ürünler daha uzun süre çalışır.
- Oda sıcaklığı yüksek olabilir. >>> Sıcak ortamlarda daha uzun süre çalışması normaldir.
- Ürünün fişi daha yeni takılmış ya da yeni yiyecek koyulmuş olabilir. >>> Fiş yeni takıldığında ya da yeni yiyecek konulduğunda ürünün ayarlanan sıcaklığa ulaşması daha uzun zaman alır. Bu durum normaldir.
- Ürüne yakın zamanda fazla miktarlarda sıcak yemek konmuş olabilir. >>> Ürüne sıcak yemek koymayın.
- Kapılar sık sık açılmış ya da uzun süre açık kalmıştır. >>> İçeri giren sıcak hava ürünün daha uzun çalışmasına neden olur. Kapıları çok sık açmayın.
- Dondurucu ya da soğutucu kapısı aralık kalmış olabilir. >>> Kapıların tamamen kapalı olup olmadığını kontrol edin.
- Ürün çok düşük bir sıcaklığa ayarlanmıştır. >>> Ürünün sıcaklığını daha yüksek bir dereceye ayarlayın ve bu sıcaklığa ulaşmasını bekleyin.
- Soğutucu ya da dondurucu kapı contası kirlenmiş, eskimiş, kırılmış ya da tam oturmamış olabilir. >>> Contayı temizleyin ya da değiştirin. Hasarlı / kopuk kapı contası ürünün mevcut sıcaklığı korumak için daha uzun süre çalışmasına neden olur.

Dondurucu sıcaklığı çok düşük ama soğutucu sıcaklığı yeterli.

- Dondurucu bölme sıcaklığı çok düşük bir değere ayarlanmıştır. >>> Dondurucu bölme sıcaklığını daha yüksek bir dereceye ayarlayıp kontrol edin.

Soğutucu sıcaklığı çok düşük ama dondurucu sıcaklığı yeterli.

- Soğutucu bölme sıcaklığı çok düşük bir değere ayarlanmıştır. >>> Soğutucu bölme sıcaklığını daha yüksek bir dereceye ayarlayıp kontrol edin.

Soğutucu bölme çekmecelerinde saklanan yiyecekler donuyor.

- Soğutucu bölme sıcaklığı çok düşük bir değere ayarlanmıştır. >>> Soğutucu bölme sıcaklığını daha yüksek bir değere ayarlayıp kontrol edin.

Soğutucu ya da dondurucudaki sıcaklık çok yüksek.

- Soğutucu bölme sıcaklığı çok yüksek bir değere ayarlanmış olabilir. >>> Soğutucu bölme sıcaklık ayarının dondurucu bölme sıcaklığı üzerinde etkisi vardır. Soğutucu ya da dondurucu bölme sıcaklığını değiştirerek ilgili bölmelerin sıcaklığı yeterli seviyeye gelene kadar bekleyin.
- Kapılar sık açılmış ya da uzun süre açık kalmıştır. >>> Kapıları çok sık açmayın.
- Kapı aralık olabilir. >>> Kapıyı tamamen kapayın.
- Ürünün fişi daha yeni takılmış ya da yeni yiyecek konulmuş olabilir. >>> Bu normaldir. Fiş yeni takıldığında ya da yeni yiyecek konulduğunda ürünün ayarlanan sıcaklığa ulaşması normalden daha uzun zaman alır.
- Ürüne yakın zamanda fazla miktarlarda sıcak yemek konmuş olabilir. >>> Ürüne sıcak yemek koymayın.

Sarsılma ya da gürültü.

- Zemin düz veya dayanıklı değildir. >>> Ürün yavaşça hareket ettirildiğinde sallanıyorsa ayaklarını ayarlayarak ürünü dengeleyin. Ayrıca zeminin ürünü taşıyabilecek kadar dayanıklı olmasına dikkat edin.
- Ürünün üzerine konulmuş eşyalar gürültü yapıyor olabilir. >>> Ürünün üzerinde bulunan eşyaları kaldırın.

Üründen sıvı akması, püskürmesi vb. sesler geliyor.

- Ürünün çalışma prensipleri gereği sıvı ve gaz akışları gerçekleşmektedir. >>> Bu normaldir ve bir arıza değildir.

Sorun giderme

Üründen rüzgar sesi geliyor.

- Ürünün soğutma işlemini gerçekleştirebilmesi için fan kullanılmaktadır. Bu normaldir ve bir arıza değildir.

Ürünün iç duvarlarında terleme oluyor.

- Havanın sıcak ve nemli olması buzlanmayı ve yoğunlaşmayı artırır. Bu normaldir ve bir arıza değildir.
- Kapılar sık açılmış ya da uzun süre açık kalmıştır. >>> Kapıları çok sık açmayın, açıkça kapayın.
- Kapı aralık olabilir. >>> Kapıyı tamamen kapayın.

Ürünün dışında ya da kapıların arasında terleme oluşuyor.

- Hava nemli olabilir, nemli havalarda bu gayet normaldir. >>> Nem azaldığında yoğunlaşma kaybolur.

Ürünün içi kötü kokuyor.

- Düzenli temizlik yapılmamıştır. >>> Ürünün içini sünger, ılık su veya karbonatlı suyla düzenli olarak temizleyin.
- Bazı kaplar ya da paketleme malzemeleri koku yapabilir. >>> Koku yapmayan kap ya da paketleme malzemesi kullanın.
- Yiyecekler ürüne ağzı açık kaplarda konulmuştur. >>> Yiyecekleri kapalı kaplarda saklayın. Ağzı açık saklanan yiyeceklerden yayılan mikroorganizmalar kötü kokulara neden olabilir.
- Saklama süresi dolan ve bozulan yiyecekleri üründen çıkarın

Kapı kapanmıyor.

- Yiyecek paketleri kapının kapanmasını engelliyor olabilir. >>> Kapıları engelleyen paketlerin yerlerini değiştirin.
- Ürün zemin üstünde tamamen dik durmuyor olabilir. >>> Ayaklarını ayarlayarak ürünü dengeleyin.
- Zemin düz ya da sağlam değildir. >>> Zeminin düz ve ürünü taşıyabilecek kadar sağlam olmasına dikkat edin.

Sebzelikler sıkışmış.

- Yiyecekler çekmecenin üst bölümüne geliyor olabilir. >>> Çekmecedeki yiyecekleri düzenleyin.



UYARI: Bu bölümdeki talimatları uygulamanıza rağmen sorunu gideremezseniz ürünü satın aldığınız bayi ya da Yetkili Servise başvurun. Çalışmayan ürünü kendiniz onarmayı denemeyin.



57 5538 0000/AU
5/5
PT-ES-TR



www.beko.com