

Instructions for use

WASHING MACHINE

GB

GB

English,1

IT

Italiano,13

FR

Italiano,25

IWC 71281

Contents

Installation, 2-3

Unpacking and levelling
Connecting the electricity and water supplies
The first wash cycle
Technical data

Care and maintenance, 4

Cutting off the water or electricity supply
Cleaning the washing machine
Cleaning the detergent dispenser drawer
Caring for the door and drum of your appliance
Cleaning the pump
Checking the water inlet hose

Precautions and tips, 5

General safety
Disposal

Description of the washing machine and starting a wash cycle, 6-7

Control panel
Indicator lights
Starting a wash cycle

Wash cycles, 8

Table of wash cycles

Personalisation, 9

Setting the temperature
Setting the spin speed
Functions

Detergents and laundry, 10

Detergent dispenser drawer
Preparing the laundry
Garments requiring special care
Load balancing system

Troubleshooting, 11

Service, 12

Installation

GB

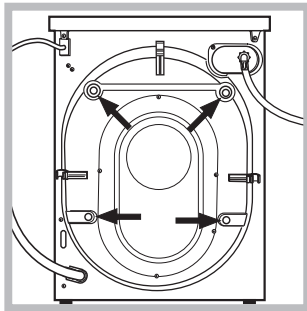
! This instruction manual should be kept in a safe place for future reference. If the washing machine is sold, transferred or moved, make sure that the instruction manual remains with the machine so that the new owner is able to familiarise himself/herself with its operation and features.

! Read these instructions carefully: they contain vital information relating to the safe installation and operation of the appliance.

Unpacking and levelling

Unpacking

1. Remove the washing machine from its packaging.
2. Make sure that the washing machine has not been damaged during the transportation process. If it has been damaged, contact the retailer and do not proceed any further with the installation process.

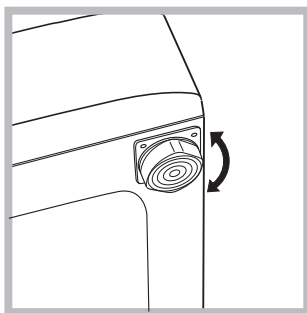


3. Remove the 4 protective screws (used during transportation) and the rubber washer with the corresponding spacer, located on the rear part of the appliance (see figure).

4. Close off the holes using the plastic plugs provided.
5. Keep all the parts in a safe place: you will need them again if the washing machine needs to be moved to another location.

! Packaging materials should not be used as toys for children.

Levelling



1. Install the washing machine on a flat sturdy floor, without resting it up against walls, furniture cabinets or anything else.

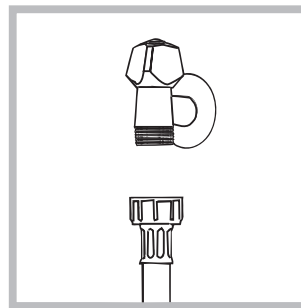
2. If the floor is not perfectly level, compensate for any unevenness by tightening

or loosening the adjustable front feet (see figure); the angle of inclination, measured in relation to the worktop, must not exceed 2°.

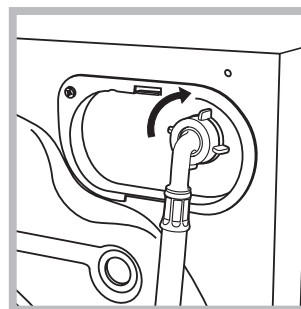
Levelling the machine correctly will provide it with stability, help to avoid vibrations and excessive noise and prevent it from shifting while it is operating. If it is placed on carpet or a rug, adjust the feet in such a way as to allow a sufficient ventilation space underneath the washing machine.

Connecting the electricity and water supplies

Connecting the water inlet hose



1. Connect the supply pipe by screwing it to a cold water tap using a $\frac{3}{4}$ gas threaded connection (see figure). Before performing the connection, allow the water to run freely until it is perfectly clear.



2. Connect the inlet hose to the washing machine by screwing it onto the corresponding water inlet of the appliance, which is situated on the top right-hand side of the rear part of the appliance (see figure).

3. Make sure that the hose is not folded over or bent.

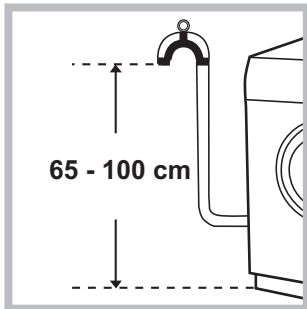
! The water pressure at the tap must fall within the values indicated in the Technical details table (see next page).

! If the inlet hose is not long enough, contact a specialised shop or an authorised technician.

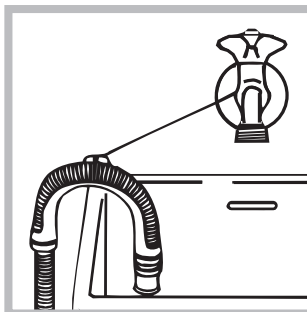
! Never use second-hand hoses.


! Use the ones supplied with the machine.

Connecting the drain hose



Connect the drain hose, without bending it, to a drainage duct or a wall drain located at a height between 65 and 100 cm from the floor;



Alternatively, place the drain hose over the edge of a washbasin or bathtub, by fastening the guide  (which can be purchased at the technical assistance centre) to the tap (see figure). The free end of the hose

should not be underwater.

! We advise against the use of hose extensions; if it is absolutely necessary, the extension must have the same diameter as the original hose and must not exceed 150 cm in length.

! We advise against the use of hose extensions; if it is absolutely necessary, the extension must have the same diameter as the original hose and must not exceed 150 cm in length.

Electrical connections

Before plugging the appliance into the electricity socket, make sure that:

- the socket is earthed and complies with all applicable laws;
- the socket is able to withstand the maximum power load of the appliance as indicated in the Technical data table (see opposite);
- the power supply voltage falls within the values indicated in the Technical data table (see opposite);
- the socket is compatible with the plug of the washing machine. If this is not the case, replace the socket or the plug.

! The washing machine must not be installed outdoors, even in covered areas. It is extremely dangerous to leave the appliance exposed to rain, storms and other weather conditions.

! When the washing machine has been installed, the electricity socket must be within easy reach.


! Do not use extension cords or multiple sockets.

! The cable should not be bent or compressed.
! The power supply cable must only be replaced by authorised technicians.

Warning! The company shall not be held responsible in the event that these regulations are not respected.

The first wash cycle

Once the appliance has been installed, and before you use it for the first time, run a wash cycle with detergent and no laundry, using the wash cycle **2**.

Technical data	
Model	IWC 71281
Dimensions	width 59,5 cm height 85 cm depth 53,5 cm
Capacity	from 1 to 7 kg
Electrical connections	please refer to the technical data plate fixed to the machine
Water connection	maximum pressure 1 MPa (10 bar) minimum pressure 0.05 MPa (0.5 bar) drum capacity 52 litres
Spin speed	up to 1200 rotations per minute
Test wash cycles in accordance with regulations 1061/2010 and 1015/2010	Programme 6: Eco Cotton 60°. Programme 6: Eco Cotton 40°.
	This appliance conforms to the following EC Directives: - EMC 2014/30/EU (Electromagnetic Compatibility) - LVD 2014/35/EU (Low Voltage) - 2012/19/EU (WEEE)

Care and maintenance

GB

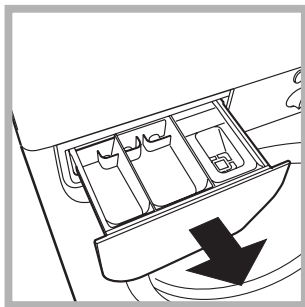
Cutting off the water and electricity supplies

- Turn off the water tap after every wash cycle. This will limit wear on the hydraulic system inside the washing machine and help to prevent leaks.
- Unplug the washing machine when cleaning it and during all maintenance work.

Cleaning the washing machine

The outer parts and rubber components of the appliance can be cleaned using a soft cloth soaked in lukewarm soapy water. Do not use solvents or abrasives.

Cleaning the detergent dispenser drawer



Remove the dispenser by raising it and pulling it out (see figure). Wash it under running water; this operation should be repeated frequently.

Caring for the door and drum of your appliance

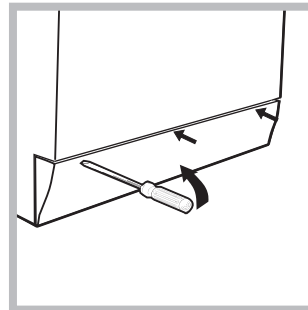
- Always leave the porthole door ajar in order to prevent unpleasant odours from forming.

Cleaning the pump

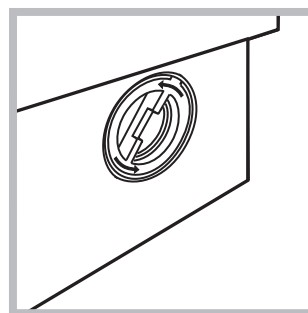
The washing machine is fitted with a self-cleaning pump which does not require any maintenance. Sometimes, small items (such as coins or buttons) may fall into the pre-chamber which protects the pump, situated in its bottom part.

! Make sure the wash cycle has finished and unplug the appliance.

To access the pre-chamber:



1. using a screwdriver, remove the cover panel on the lower front part of the washing machine (see figure);



2. unscrew the lid by rotating it anti-clockwise (see figure): a little water may trickle out. This is perfectly normal;

3. clean the inside thoroughly;
4. screw the lid back on;
5. reposition the panel, making sure the hooks are securely in place before you push it onto the appliance.

Checking the water inlet hose

Check the inlet hose at least once a year. If there are any cracks, it should be replaced immediately: during the wash cycles, water pressure is very strong and a cracked hose could easily split open.

! Never use second-hand hoses.

! This washing machine was designed and constructed in accordance with international safety regulations. The following information is provided for safety reasons and must therefore be read carefully.

General safety

- This appliance was designed for domestic use only.
- This appliance can be used by children aged from 8 years and above and persons with reduced physical, sensory or mental capabilities or lack of experience and knowledge if they have been given supervision or instruction concerning use of the appliance in a safe way and understand the hazards involved. Children shall not play with the appliance. Cleaning and user maintenance shall not be made by children without supervision.
- Do not touch the machine when barefoot or with wet or damp hands or feet.
- Do not pull on the power supply cable when unplugging the appliance from the electricity socket. Hold the plug and pull.
- Do not open the detergent dispenser drawer while the machine is in operation.
- Do not touch the drained water as it may reach extremely high temperatures.
- Never force the porthole door. This could damage the safety lock mechanism designed to prevent accidental opening.
- If the appliance breaks down, do not under any circumstances access the internal mechanisms in an attempt to repair it yourself.
- Always keep children well away from the appliance while it is operating.
- The door can become quite hot during the wash cycle.
- If the appliance has to be moved, work in a group of two or three people and handle it with the utmost care. Never try to do this alone, because the appliance is very heavy.
- Before loading laundry into the washing machine, make sure the drum is empty.

Disposal

- Disposing of the packaging materials: observe local regulations so that the packaging may be re-used.
- The European Directive 2012/19/EU - WEEE on Waste Electrical and Electronic Equipment, requires that old household electrical appliances must not be disposed of in the normal unsorted municipal waste stream. Old appliances must be collected separately in order to optimise the recovery and recycling of the materials they contain and reduce the impact on human health and the environment. The crossed out “wheeled bin” symbol on the product reminds you of your obligation, that when you dispose of the appliance it must be separately collected.

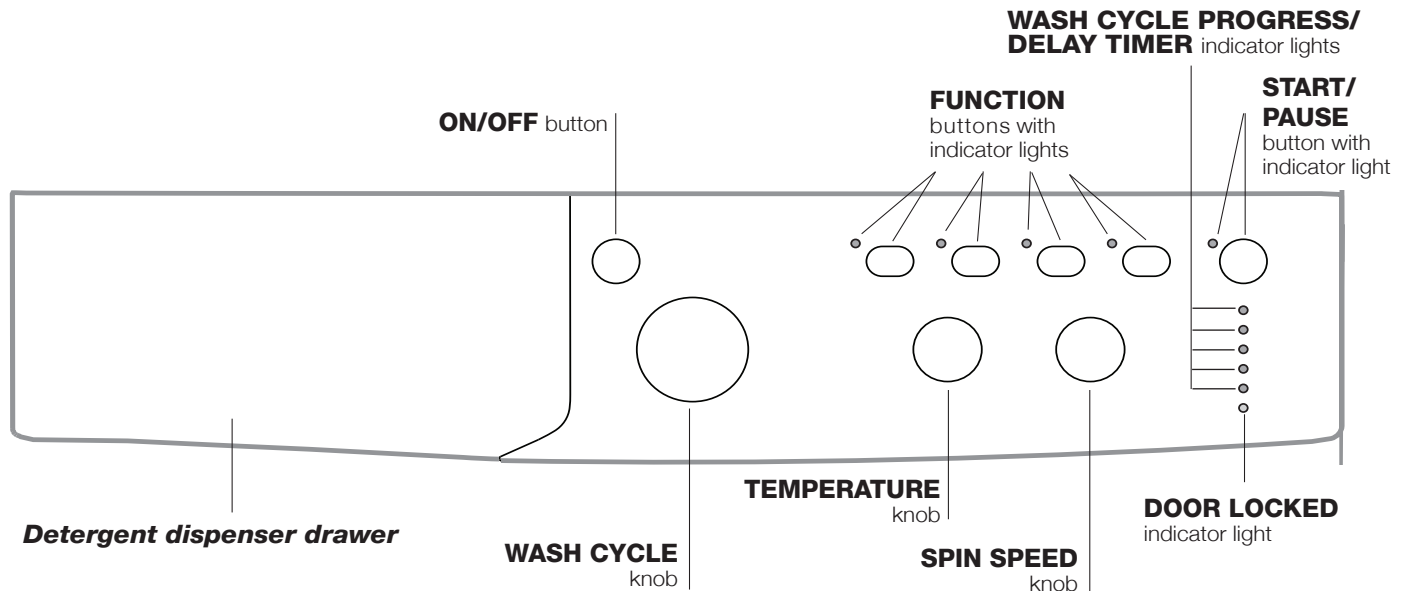
Consumers should contact their local authority or retailer for information concerning the correct disposal of their old appliance.

GB

Description of the washing machine and starting a wash cycle

Control panel

GB



Detergent dispenser drawer: used to dispense detergents and washing additives (see “Detergents and laundry”).

ON/OFF button: switches the washing machine on and off.

WASH CYCLE knob: programmes the wash cycles. During the wash cycle, the knob does not move.

FUNCTION buttons with indicator light: used to select the available functions. The indicator light corresponding to the selected function will remain lit.

TEMPERATURE knob: sets the temperature or the cold wash cycle (see “Personalisation”).


SPIN SPEED knob: sets the spin speed or exclude the spin cycle completely (see “Personalisation”).

WASH CYCLE PROGRESS/DELAY TIMER indicator lights: used to monitor the progress of the wash cycle. The illuminated indicator light shows which phase is in progress.

If the Delay Timer function has been set, the time remaining until the wash cycle starts will be indicated (see next page).

DOOR LOCKED indicator light: indicates whether the door may be opened or not (see next page).

START/PAUSE button with indicator light: starts or temporarily interrupts the wash cycles.

N.B. To pause the wash cycle in progress, press this button; the corresponding indicator light will flash orange, while the indicator light for the current wash cycle phase will remain lit in a fixed manner. If the DOOR LOCKED  indicator light is switched off, the door may be opened (wait approximately 3 minutes).

To start the wash cycle from the point at which it was interrupted, press this button again.

Standby mode

This washing machine, in compliance with new energy saving regulations, is fitted with an automatic standby system which is enabled after a few minutes if no activity is detected. Press the ON-OFF button briefly and wait for the machine to start up again.

Indicator lights

The indicator lights provide important information. This is what they can tell you:

Delayed start

If the DELAY TIMER function has been activated (see "Personalisation"), after the wash cycle has been started the indicator light corresponding to the selected delay period will begin to flash:





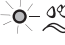


As time passes, the remaining delay will be displayed and the corresponding indicator light will flash:



The set programme will start once the selected time delay has expired.

Wash cycle phase indicator lights

Once the desired wash cycle has been selected and has begun, the indicator lights switch on one by one to indicate which phase of the cycle is currently in progress.

Wash	
Rinse	
Spin	
Drain	
End of wash cycle	 END

Function buttons and corresponding indicator lights

When a function is selected, the corresponding indicator light will illuminate.

If the selected function is not compatible with the programmed wash cycle, the corresponding indicator light will flash and the function will not be activated.

If the selected function is not compatible with another function which has been selected previously, the indicator light corresponding to the first function selected will flash and only the second function will be activated; the indicator light corresponding to the enabled option will remain lit.


Door locked indicator light

When the indicator light is on, the porthole door is locked to prevent it from being opened; make sure the indicator light is off before opening the door (wait approximately 3 minutes). To open the door during a running wash cycle, press the START/PAUSE button; the door may be opened once the DOOR LOCKED indicator light turns off.

Starting a wash cycle

1. Switch the washing machine on by pressing the ON/OFF button. All indicator lights will switch on for a few seconds, then they will switch off and the START/PAUSE indicator light will pulse.
2. Load the laundry and close the door.
3. Set the WASH CYCLE knob to the desired programme.
4. Set the washing temperature (see "Personalisation").
5. Set the spin speed (see "Personalisation").
6. Measure out the detergent and washing additives (see "Detergents and laundry").
7. Select the desired functions.
8. Start the wash cycle by pressing the START/PAUSE button and the corresponding indicator light will remain lit in a fixed manner, in green.





To cancel the set wash cycle, pause the machine by pressing the START/PAUSE button and select a new cycle.


9. At the end of the wash cycle the **END** indicator light will switch on. The door can be opened once the DOOR LOCKED  indicator light turns off (wait approximately 3 minutes). Take out your laundry and leave the appliance door ajar to make sure the drum dries completely. Switch the washing machine off by pressing the ON/OFF button.

Wash cycles

GB

Table of wash cycles

Wash cycles	Description of the wash cycle	Max. temp. (°C)	Max. speed (rpm)	Detergents			Max. load (kg)	Residual dampness %	Energy consumption kWh	Total water lt	Cycle duration
				Prewash	Wash	Fabric softener					
Daily											
1	Cotton with prewash: extremely soiled whites.	90°	1200	●	●	●	7	-	-	-	170'
2	Cotton: extremely soiled whites.	90°	1200	-	●	●	7	-	-	-	160'
3	Coloured Cottons: lightly soiled whites and delicate colours.	40°	1200	-	●	●	7	-	-	-	90'
4	Synthetics: heavily soiled resistant colours.	60°	1000	-	●	●	3,5	44	0,93	53	130'
5	Synthetics (3): lightly soiled resistant colours.	40°	1000	-	●	●	3,5	-	-	-	100'
6	Eco Cotton 60° (1): heavily soiled whites and resistant colours.	60°	1200	-	●	●	7	53	1,21	52,5	170'
6	Eco Cotton 40° (2): lightly soiled whites and delicate colours.	40°	1200	-	●	●	7	53	0,97	75	230'
7	Cotton 20°: lightly soiled whites and delicate colours.	20°	1200	-	●	●	7	-	-	-	170'
Special											
8	Wool: for wool, cashmere, etc.	40°	800	-	●	●	1,5	-	-	-	70'
9	Silk/Curtains: for garments in silk and viscose, lingerie.	30°	0	-	●	●	1	-	-	-	55'
10	Jeans	40°	800	-	●	●	3	-	-	-	75'
11	Express: to refresh lightly soiled garments quickly (not suitable for wool, silk and clothes which require washing by hand).	30°	800	-	●	●	1,5	-	-	-	15'
Sport											
12	Sport Intensive	30°	600	-	●	●	3	-	-	-	85'
13	Sport Light	30°	600	-	●	●	3	-	-	-	60'
14	Special Shoes	30°	600	-	●	●	Max. 2 pairs	-	-	-	60'
Partial wash cycles											
	Rinse	-	1200	-	-	●	7	-	-	-	36'
	Spin + Drain	-	1200	-	-	-	7	-	-	-	10'
	Drain only *	-		-	-	-	7	-	-	-	3'

* If you select programme  and exclude the spin cycle, the machine will drain only.

The length of cycle shown on the display or in this booklet is an estimation only and is calculated assuming standard working conditions. The actual duration can vary according to factors such as water temperature and pressure, the amount of detergent used, the amount and type of load inserted, load balancing and any wash options selected.

1) Test wash cycle in compliance with regulations 1061/2010: set wash cycle 6 with a temperature of 60°C.

This cycle is designed for cotton loads with a normal soil level and is the most efficient in terms of both electricity and water consumption; it should be used for garments which can be washed at 60°C. The actual washing temperature may differ from the indicated value.

2) Test wash cycle in compliance with regulations 1061/2010: set wash cycle 6 with a temperature of 40°C.

This cycle is designed for cotton loads with a normal soil level and is the most efficient in terms of both electricity and water consumption; it should be used for garments which can be washed at 40°C. The actual washing temperature may differ from the indicated value.

For all Test Institutes:

- 2) Long wash cycle for cottons: set wash cycle 6 with a temperature of 40°C.
- 3) Long wash cycle for synthetics: set wash cycle 5; with a temperature of 40°C.

Cotton 20° (wash cycle 7) ideal for lightly soiled cotton loads. The effective performance levels achieved at cold temperatures, which are comparable to washing at 40°, are guaranteed by a mechanical action which operates at varying speed, with repeated and frequent peaks.

Express (wash cycle 11) this wash cycle was designed to wash lightly soiled garments quickly: it lasts just 15 minutes and therefore saves both energy and time. By selecting this wash cycle (11 at 30°C), it is possible to wash different fabrics together (except for wool and silk items), with a maximum load of 1,5 kg.

Sport Intensive (wash cycle 12) is for washing heavily soiled sports clothing fabrics (tracksuits, shorts, etc.); for best results, we recommend not exceeding the maximum load indicated in the "Table of wash cycles".

Sport Light (wash cycle 13) is for washing lightly soiled sports clothing fabrics (tracksuits, shorts, etc.); for best results, we recommend not exceeding the maximum load indicated in the "Table of wash cycles". We recommend using a liquid detergent and dosage suitable for a half-load.

Special Shoes (wash cycle 14) is for washing sports shoes; for best results, do not wash more than 2 pairs simultaneously.

Setting the temperature

Turn the TEMPERATURE knob to set the wash temperature (see *Table of wash cycles*).

The temperature may be lowered, or even set to a cold wash .

The washing machine will automatically prevent you from selecting a temperature which is higher than the maximum value set for each wash cycle.

Setting the spin speed

Turn the SPIN SPEED knob to set the spin speed for the selected wash cycle.

The maximum spin speeds available for each wash cycle are as follows:

Wash cycles	Maximum spin speed
Cottons	1200 rpm
Synthetics	1000 rpm
Wool	800 rpm
Silk	drain only

The spin speed may be lowered, or the spin cycle can be excluded altogether by selecting the symbol .

The washing machine will automatically prevent you from selecting a spin speed which is higher than the maximum speed set for each wash cycle.

Functions

The various wash functions available with this washing machine will help to achieve the desired results, every time.

To activate the functions:

1. Press the button corresponding to the desired function;
2. the function is enabled when the corresponding indicator light is illuminated.


Note:

- If the selected function is not compatible with the programmed wash cycle, the corresponding indicator light will flash and the function will not be activated.
- If the selected function is not compatible with another function which has been selected previously, the indicator light corresponding to the first function selected will flash and only the second function will be activated; the indicator light corresponding to the enabled option will remain lit.

EcoTime

Selecting this option enables you to suitably adjust drum rotation, temperature and water to a reduced load of lightly soiled cotton and synthetic fabrics (refer to the "*Table of wash cycles*"). "EcoTime" enables you to wash in less time thereby saving water and electricity. We suggest using a liquid detergent suitably measured out to the load quantity.

Energy Saver

The  Energy Saver function saves energy by not heating the water used to wash your laundry - an advantage both to the environment and to your energy bill. Instead, intensified wash action and water optimisation ensure great wash results in the same average time of a standard cycle.

For the best washing results we recommend the usage of a liquid detergent.

Extra rinse

By selecting this option, the efficiency of the rinse is increased and optimal detergent removal is guaranteed. It is particularly useful for sensitive skin.

Delay timer

This timer delays the start time of the wash cycle by up to 12 hours.

Press the button repeatedly until the indicator light corresponding to the desired delay time switches on. The fifth time the button is pressed, the function will be disabled.

N.B. Once the START/PAUSE button has been pressed, the delay time can only be modified by decreasing it until launching the set programme.

Detergents and laundry

GB

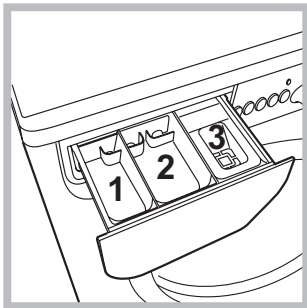
Detergent dispenser drawer

Good washing results also depend on the correct dose of detergent: adding too much detergent will not necessarily result in a more efficient wash, and may in fact cause build up on the inside of your appliance and contribute to environmental pollution.

! Do not use hand washing detergents because these create too much foam.

! Use powder detergent for white cotton garments, for pre-washing, and for washing at temperatures over 60°C.

! Follow the instructions given on the detergent packaging.



Open the detergent dispenser drawer and pour in the detergent or washing additive, as follows.

compartment 1: Pre-wash detergent (powder)

compartment 2: Detergent for the wash cycle (powder or liquid)

Liquid detergent should only be poured in immediately prior to the start of the wash cycle.

compartment 3: Additives (fabric softeners, etc.)

The fabric softener should not overflow the grid.


Preparing the laundry

- Divide the laundry according to:
 - the type of fabric/the symbol on the label
 - the colours: separate coloured garments from whites.
- Empty all garment pockets and check the buttons.
- Do not exceed the listed values, which refer to the weight of the laundry when dry: see "Table of wash cycles".

How much does your laundry weigh?

- 1 sheet 400-500 g
- 1 pillow case 150-200 g
- 1 tablecloth 400-500 g
- 1 bathrobe 900-1200 g
- 1 towel 150-250 g

Garments requiring special care

Wool: all wool garments can be washed using programme **8**, even those carrying the "hand-wash only"  label. For best results, use special detergents and do not exceed 1,5 kg of laundry.

Silk: use special wash cycle **9** to wash all silk garments. We recommend the use of special detergent which has been designed to wash delicate clothes.

Curtains: fold curtains and place them in a pillow case or mesh bag. Use wash cycle **9**.

Jeans: Turn garments inside-out before washing and use a liquid detergent. Use programme **10**.

Load balancing system

Before every spin cycle, to avoid excessive vibrations and to distribute the load in a uniform manner, the drum rotates continuously at a speed which is slightly greater than the washing rotation speed. If, after several attempts, the load is not balanced correctly, the machine spins at a reduced spin speed. If the load is excessively unbalanced, the washing machine performs the distribution process instead of spinning. To encourage improved load distribution and balance, we recommend small and large garments are mixed in the load.

Your washing machine could fail to work. Before contacting the Technical Assistance Centre (see “Assistance”), make sure that the problem cannot be solved easily using the following list.

Problem:

Possible causes / Solutions:

The washing machine does not switch on.

- The appliance is not plugged into the socket fully, or is not making contact.
- There is no power in the house.

The wash cycle does not start.

- The washing machine door is not closed properly.
- The ON/OFF button has not been pressed.
- The START/PAUSE button has not been pressed.
- The water tap has not been opened.
- A delayed start has been set (see “Personalisation”).

The washing machine does not take in water (the indicator light for the first wash cycle stage flashes rapidly).

- The water inlet hose is not connected to the tap.
- The hose is bent.
- The water tap has not been opened.
- There is no water supply in the house.
- The pressure is too low.
- The START/PAUSE button has not been pressed.

The washing machine continuously takes in and drains water.

- The drain hose is not fitted at a height between 65 and 100 cm from the floor (see “Installation”).
- The free end of the hose is under water (see “Installation”).
- The wall drainage system is not fitted with a breather pipe.

If the problem persists even after these checks, turn off the water tap, switch the appliance off and contact the Assistance Service. If the dwelling is on one of the upper floors of a building, there may be problems relating to water drainage, causing the washing machine to fill with water and drain continuously. Special anti-draining valves are available in shops and help to avoid this inconvenience.

The washing machine does not drain or spin.

- The wash cycle does not include draining: some wash cycles require the drain phase to be started manually.
- The drain hose is bent (see “Installation”).
- The drainage duct is clogged.

The washing machine vibrates a lot during the spin cycle.

- The drum was not unlocked correctly during installation (see “Installation”).
- The washing machine is not level (see “Installation”).
- The washing machine is trapped between cabinets and walls (see “Installation”).

The washing machine leaks.

- The water inlet hose is not screwed on properly (see “Installation”).
- The detergent dispenser drawer is blocked (for cleaning instructions, see “Care and maintenance”).
- The drain hose is not fixed properly (see “Installation”).

The “option” indicator lights and the “start/pause” indicator light flash, while one of the “phase in progress” indicator lights and the “door locked” indicator light will remain lit in a fixed manner.

- Switch off the machine and unplug it, wait for approximately 1 minute and then switch it back on again.
If the problem persists, contact the Technical Assistance Service.

There is too much foam.

- The detergent is not suitable for machine washing (it should display the text “for washing machines” or “hand and machine wash”, or the like).
- Too much detergent was used.

Service

GB

Before calling for Assistance:

- Check whether you can solve the problem alone (see “*Troubleshooting*”);
- Restart the programme to check whether the problem has been solved;
- If this is not the case, contact an authorised Technical Assistance Centre using the telephone number provided on the guarantee certificate.

! Always request the assistance of authorised technicians.

Have the following information to hand:

- the type of problem;
- the appliance model (Mod.);
- the serial number (S/N).

This information can be found on the data plate applied to the rear of the washing machine, and can also be found on the front of the appliance by opening the door.

IT

Italiano

IWC 71281

Sommario

Installazione, 14-15

Disimballo e livellamento
Collegamenti idraulici ed elettrici
Primo ciclo di lavaggio
Dati tecnici

Manutenzione e cura, 16

Escludere acqua e corrente elettrica
Pulire la lavabiancheria
Pulire il cassetto dei detersivi
Curare oblò e cestello
Pulire la pompa
Controllare il tubo di alimentazione dell'acqua

Precauzioni e consigli, 17

Sicurezza generale
Smaltimento

Descrizione della lavabiancheria e avviare un programma, 18-19

Pannello di controllo
Spie
Avviare un programma

Programmi, 20

Tabella dei programmi

Personalizzazioni, 21

Impostare la temperatura
Impostare la centrifuga
Opzioni

Detersivi e biancheria, 22

Cassetto dei detersivi
Preparare la biancheria
Capi particolari
Sistema bilanciamento del carico

Anomalie e rimedi, 23

Assistenza, 24

Assistenza Attiva 7 giorni su 7

Installazione

IT

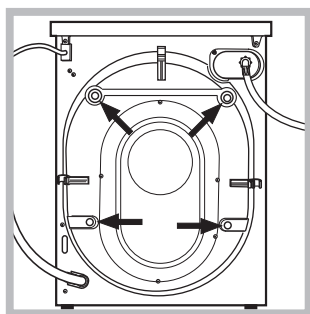
! È importante conservare questo libretto per poterlo consultare in ogni momento. In caso di vendita, di cessione o di trasloco, assicurarsi che resti insieme alla lavabiancheria per informare il nuovo proprietario sul funzionamento e sui relativi avvertimenti.

! Leggere attentamente le istruzioni: ci sono importanti informazioni sull'installazione, sull'uso e sulla sicurezza.

Disimballo e livellamento

Disimballo

1. Disimballare la lavabiancheria.
2. Controllare che la lavabiancheria non abbia subito danni nel trasporto. Se fosse danneggiata non collegarla e contattare il rivenditore.



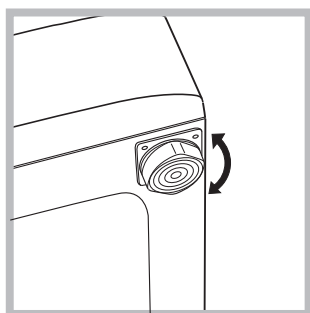
3. Rimuovere le 4 viti di protezione per il trasporto e il gommino con il relativo distanziale, posti nella parte posteriore (vedi figura).

4. Chiudere i fori con i tappi di plastica in dotazione.
5. Conservare tutti i pezzi: qualora la lavabiancheria debba essere trasportata, dovranno essere rimontati.

! Gli imballaggi non sono giocattoli per bambini.

Livellamento

1. Installare la lavabiancheria su un pavimento piano e rigido, senza appoggiarla a muri, mobili o altro.

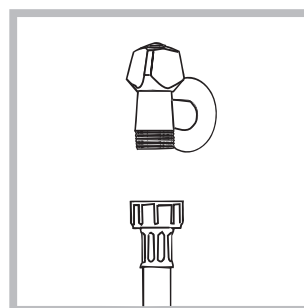


2. Se il pavimento non fosse perfettamente orizzontale, compensare le irregolarità svitando o avvitando i piedini anteriori (vedi figura); l'angolo di inclinazione, misurato sul piano di lavoro, non deve superare i 2°.

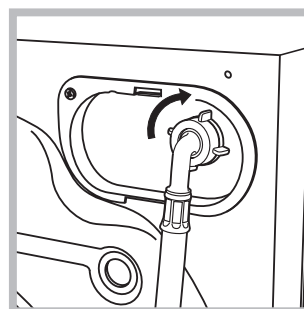
Un accurato livellamento dà stabilità alla macchina ed evita vibrazioni, rumori e spostamenti durante il funzionamento. In caso di moquette o di un tappeto, regolare i piedini in modo da conservare sotto la lavabiancheria uno spazio sufficiente per la ventilazione.

Collegamenti idraulici ed elettrici

Collegamento del tubo di alimentazione dell'acqua



1. Collegare il tubo di alimentazione avvitandolo a un rubinetto d'acqua fredda con bocca filettata da 3/4 gas (vedi figura). Prima di allacciare, far scorrere l'acqua finché non sia limpida.



2. Collegare il tubo di alimentazione alla lavabiancheria avvitandolo all'apposita presa d'acqua, nella parte posteriore in alto a destra (vedi figura).

3. Fare attenzione che nel tubo non ci siano né pieghe né strozzature.

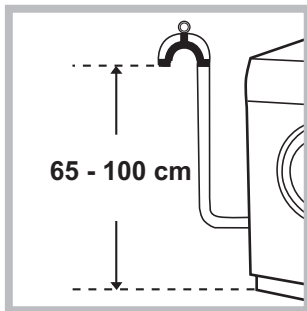
! La pressione idrica del rubinetto deve essere compresa nei valori della tabella Dati tecnici (vedi pagina a fianco).

! Se la lunghezza del tubo di alimentazione non fosse sufficiente, rivolgersi a un negozio specializzato o a un tecnico autorizzato.

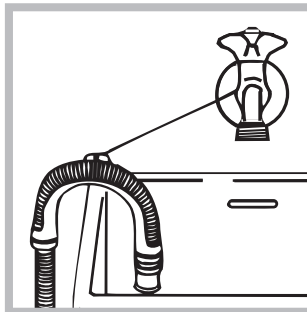
! Non utilizzare mai tubi già usati.

! Utilizzare quelli in dotazione alla macchina.

Collegamento del tubo di scarico



Collegare il tubo di scarico, senza piegarlo, a una condotta di scarico o a uno scarico a muro posti tra 65 e 100 cm da terra.



In alternativa, appoggiare il tubo di scarico al bordo di un lavandino o di una vasca, legando la guida (acquistabile presso il servizio assistenza al rubinetto (vedi figura)). L'estremità libera del tubo di scarico

non deve rimanere immersa nell'acqua.

! È sconsigliato usare tubi di prolunga; se indispensabile, la prolunga deve avere lo stesso diametro del tubo originale e non superare i 150 cm.

Collegamento elettrico

Prima di inserire la spina nella presa della corrente, accertarsi che:

- la presa abbia la messa a terra e sia a norma di legge;
- la presa sia in grado di sopportare il carico massimo di potenza della macchina, indicato nella tabella Dati tecnici (vedi a fianco);
- la tensione di alimentazione sia compresa nei valori indicati nella tabella Dati tecnici (vedi a fianco);
- la presa sia compatibile con la spina della lavabiancheria. In caso contrario sostituire la presa o la spina.

! La lavabiancheria non va installata all'aperto, nemmeno se lo spazio è riparato, perché è molto pericoloso lasciarla esposta a pioggia e temporali.

! A lavabiancheria installata, la presa della corrente deve essere facilmente raggiungibile.

! Non usare prolunghine e multiple.

! Il cavo non deve subire piegature o compressioni.

! Il cavo di alimentazione deve essere sostituito solo da tecnici autorizzati.

Attenzione! L'azienda declina ogni responsabilità qualora queste norme non vengano rispettate.

Primo ciclo di lavaggio

Dopo l'installazione, prima dell'uso, effettuare un ciclo di lavaggio con detersivo e senza biancheria impostando il programma 2.

Dati tecnici

Modello	IWC 71281
Dimensioni	larghezza cm 59,5 altezza cm 85 profondità cm 53,5
Capacità	da 1 a 7 kg
Collegamenti elettrici	vedi la targhetta caratteristiche tecniche applicata sulla macchina
Collegamenti idrici	pressione massima 1 MPa (10 bar) pressione minima 0,05 MPa (0,5 bar) capacità del cesto 52 litri
Velocità di centrifuga	sino a 1200 giri al minuto
Programmi di controllo secondo il regolamento 1061/2010 e 1015/2010	programma 6; Eco Cotone 60°C. programma 6; Eco Cotone 40°C.
  	Questa apparecchiatura è conforme alle seguenti Direttive Comunitarie: - EMC - 2014/30/EU (Compatibilità Elettromagnetica) - 2012/19/EU (WEEE) - LVD - 2014/35/EU (Bassa Tensione)

Manutenzione e cura

IT

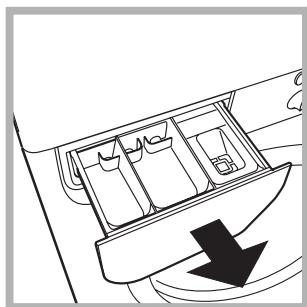
Escludere acqua e corrente elettrica

- Chiudere il rubinetto dell'acqua dopo ogni lavaggio. Si limita così l'usura dell'impianto idraulico della lavabiancheria e si elimina il pericolo di perdite.
- Staccare la spina della corrente quando si pulisce la lavabiancheria e durante i lavori di manutenzione.

Pulire la lavabiancheria

La parte esterna e le parti in gomma possono essere puliti con un panno imbevuto di acqua tiepida e sapone. Non usare solventi o abrasivi.

Pulire il cassetto dei detersivi



Sfilare il cassetto sollevandolo e tirandolo verso l'esterno (vedi figura).

Lavarlo sotto l'acqua corrente; questa pulizia va effettuata frequentemente.

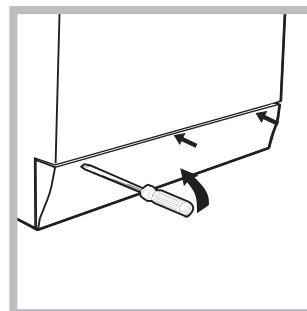
Curare oblò e cestello

- Lasciare sempre socchiuso l'oblò per evitare che si formino cattivi odori.

Pulire la pompa

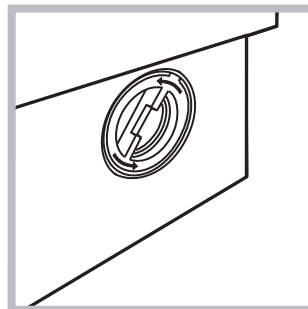
La lavabiancheria è dotata di una pompa autopulente che non ha bisogno di manutenzione. Può però succedere che piccoli oggetti (monete, bottoni) cadano nella precamera che protegge la pompa, situata nella parte inferiore di essa.

! Assicurarsi che il ciclo di lavaggio sia terminato e staccare la spina.



Per accedere alla precamera:

1. rimuovere il pannello di copertura sul lato anteriore della lavabiancheria con l'ausilio di un giravite (vedi figura);



2. svitare il coperchio ruotandolo in senso antiorario (vedi figura); è normale che fuoriesca un po' d'acqua;

3. pulire accuratamente l'interno;
4. riavvitare il coperchio;
5. rimontare il pannello assicurandosi, prima di spingerlo verso la macchina, di aver inserito i ganci nelle apposite asole.

Controllare il tubo di alimentazione dell'acqua

Controllare il tubo di alimentazione almeno una volta all'anno. Se presenta screpolature e fessure va sostituito: durante i lavaggi le forti pressioni potrebbero provocare improvvise spaccature.

! Non utilizzare mai tubi già usati.

! La lavabiancheria è stata progettata e costruita in conformità alle norme internazionali di sicurezza. Queste avvertenze sono fornite per ragioni di sicurezza e devono essere lette attentamente.

Sicurezza generale

- Questo apparecchio è stato concepito esclusivamente per un uso di tipo domestico.
- Questo apparecchio può essere usato da bambini da 8 anni in su e da persone con capacità fisiche, sensoriali o mentali ridotte o con esperienza e conoscenze insufficienti se sono supervisionati o se hanno ricevuto adeguata formazione in merito all'uso dell'apparecchio in modo sicuro e capendo i pericoli connessi. I bambini non devono giocare con l'apparecchio. Manutenzione e pulizia non devono essere effettuati dai bambini senza supervisione.
- La lavabiancheria deve essere usata solo da persone adulte e secondo le istruzioni riportate in questo libretto.
- Non toccare la macchina a piedi nudi o con le mani o i piedi bagnati o umidi.
- Non staccare la spina dalla presa della corrente tirando il cavo, bensì afferrando la spina.
- Non aprire il cassetto dei detersivi mentre la macchina è in funzione.
- Non toccare l'acqua di scarico, che può raggiungere temperature elevate.
- Non forzare in nessun caso l'oblò: potrebbe danneggiarsi il meccanismo di sicurezza che protegge da aperture accidentali.
- In caso di guasto, in nessun caso accedere ai meccanismi interni per tentare una riparazione.
- Controllare sempre che i bambini non si avvicinino alla macchina in funzione.
- Durante il lavaggio l'oblò tende a scaldarsi.
- Se dev'essere spostata, lavorare in due o tre persone con la massima attenzione. Mai da soli perché la macchina è molto pesante.
- Prima di introdurre la biancheria controlla che il cestello sia vuoto.

Smaltimento

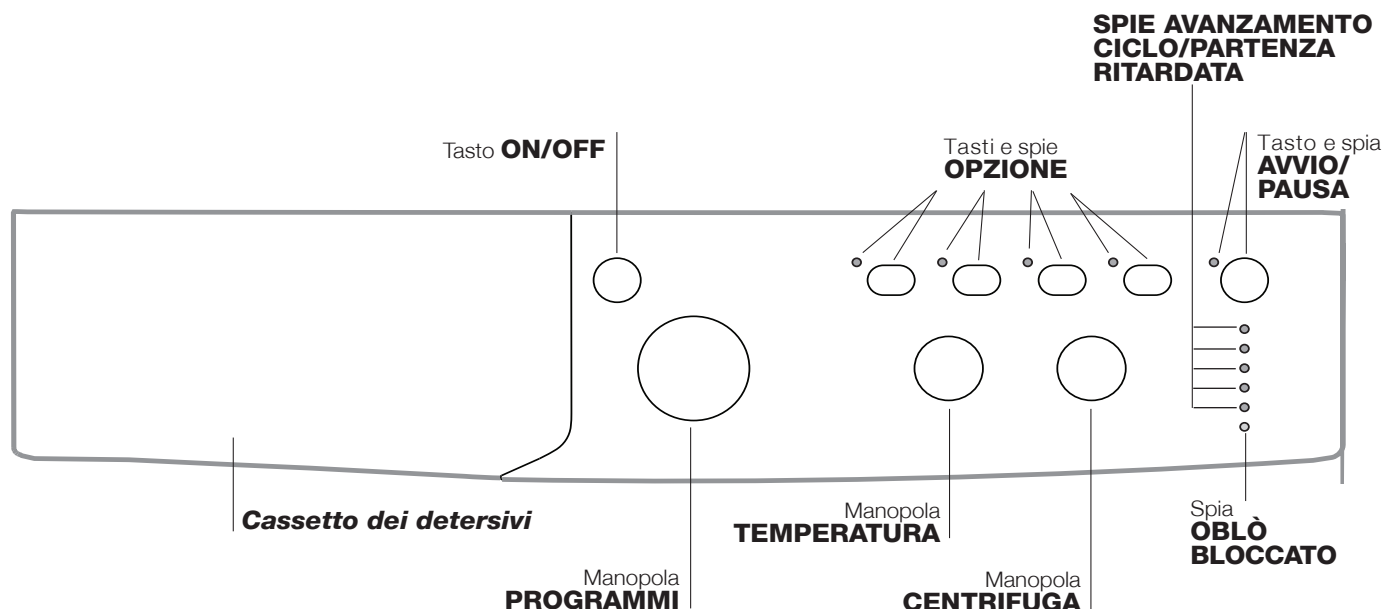
- Smaltimento del materiale di imballaggio: attenersi alle norme locali, così gli imballaggi potranno essere riutilizzati.
- La direttiva Europea 2012/19/EU - WEEE sui rifiuti di apparecchiature elettriche ed elettroniche (RAEE), prevede che gli elettrodomestici non debbano essere smaltiti nel normale flusso dei rifiuti solidi urbani. Gli apparecchi dismessi devono essere raccolti separatamente per otti-

mizzare il tasso di recupero e riciclaggio dei materiali che li compongono ed impedire potenziali danni per la salute e l'ambiente. Il simbolo del cestino barrato è riportato su tutti i prodotti per ricordare gli obblighi di raccolta separata. Quando si acquista una nuova apparecchiatura equivalente si può consegnare il RAEE al negoziante, che è tenuto a ritirarlo gratuitamente; i RAEE di "piccolissime dimensioni" (nessun lato sopra i 25 cm) possono essere consegnati gratuitamente ai negozianti anche se non si acquista nulla (solo nei negozi con superficie di vendita superiore a 400 mq). Per ulteriori informazioni sulla corretta dismissione degli elettrodomestici i detentori potranno rivolgersi al servizio pubblico preposto o ai rivenditori.

Descrizione della lavabiancheria e avviare un programma

IT

Pannello di controllo



Cassetto dei detersivi: per caricare detersivi e additivi (vedi "Detersivi e biancheria").

Tasto ON/OFF: per accendere e spegnere la lavabiancheria.

Manopola PROGRAMMI: per impostare i programmi. Durante il programma la manopola resterà ferma.

Tasti e spie OPZIONE: per selezionare le opzioni disponibili. La spia relativa all'opzione selezionata rimarrà accesa.

Manopola CENTRIFUGA: per impostare la centrifuga o escluderla (vedi "Personalizzazioni").

Manopola TEMPERATURA: per impostare la temperatura o il lavaggio a freddo (vedi "Personalizzazioni").


SPIE AVANZAMENTO CICLO/PARTENZA RITARDATA: per seguire lo stato di avanzamento del programma di lavaggio.

La spia accesa indica la fase in corso.

Se è stata impostata l'opzione "Partenza Ritardata", indicheranno il tempo mancante all'avvio del programma (vedi pagina a fianco).

Spia OBLÒ BLOCCATO: per capire se l'oblò è apribile (vedi pagina a fianco).

Tasto e spia AVVIO/PAUSA: per avviare i programmi o interromperli momentaneamente.

N.B.: per mettere in pausa il lavaggio in corso, premere questo tasto, la spia relativa lampeggerà con colore arancione mentre quella della fase in corso sarà accesa fissa. Se la spia OBLÒ BLOCCATO  sarà spenta, si potrà aprire l'oblò (attendere 3 minuti circa). Per far ripartire il lavaggio dal punto in cui è stato interrotto, premere nuovamente questo tasto.

Standby

Questa lavatrice, in conformità alle nuove normative legate al risparmio energetico, è dotata di un sistema di autospegnimento (stand by) che entra in funzione dopo circa 30 minuti nel caso di non utilizzo. Premere brevemente il tasto ON-OFF e attendere che la macchina si riattivi.

Spie

Le spie forniscono informazioni importanti. Ecco che cosa dicono:

Partenza ritardata

Se è stata attivata l'opzione "Partenza ritardata" (vedi "Personalizzazioni"), dopo avere avviato il programma, inizierà a lampeggiare la spia relativa al ritardo selezionato:



Col trascorrere del tempo verrà visualizzato il ritardo residuo con il lampeggio della spia relativa:



Trascorso il ritardo selezionato avrà inizio il programma impostato.

Spie fase in corso

Una volta selezionato e avviato il ciclo di lavaggio desiderato, le spie si accenderanno progressivamente per indicarne lo stato di avanzamento:



Tasti opzione e relative spie

Selezionando un'opzione la spia relativa si illuminerà. Se l'opzione selezionata non è compatibile con il programma impostato la spia relativa lampeggerà e l'opzione non verrà attivata.


Se l'opzione selezionata non è compatibile con un'altra precedentemente impostata, la spia relativa alla prima funzione selezionata lampeggerà e verrà attivata solo la seconda, la spia dell'opzione attivata si illuminerà.

Spia oblò bloccato

La spia accesa indica che l'oblò è bloccato per impedire l'apertura; per aprire l'oblò è necessario che la spia sia spenta (attendere 3 minuti circa).

Per aprire l'oblò mentre un ciclo è in corso premere il pulsante AVVIO/PAUSA; se la spia OBLÒ BLOCCATO è spenta sarà possibile aprire l'oblò.





Avviare un programma


1. Accendere la lavabiancheria premendo il tasto ON/OFF. Tutte le spie si accenderanno per qualche secondo, poi si spegneranno e pulserà la spia AVVIO/PAUSA.
2. Caricare la biancheria e chiudere l'oblò.
3. Impostare con la manopola PROGRAMMI il programma desiderato.
4. Impostare la temperatura di lavaggio (vedi "Personalizzazioni").
5. Impostare la velocità di centrifuga (vedi "Personalizzazioni").
6. Versare detersivo e additivi (vedi "Detersivi e biancheria").
7. Selezionare le opzioni desiderate.
8. Avviare il programma premendo il tasto AVVIO/PAUSA e la spia relativa rimarrà accesa fissa di colore verde. Per annullare il ciclo impostato mettere la macchina in pausa premendo il tasto AVVIO/PAUSA e scegliere un nuovo ciclo.
9. Al termine del programma si illuminerà la spia **END**. Quando la spia OBLÒ BLOCCATO  si spegnerà sarà possibile aprire l'oblò (attendere 3 minuti circa). Estrarre la biancheria e lasciare l'oblò socchiuso per far asciugare il cestello. Spegnerla lavabiancheria premendo il tasto ON/OFF.

Programmi

IT

Tabella dei programmi

Programmi	Descrizione del Programma	Temp. max. (°C).	Velocità max. (giri al minuto)	Detersivi			Carico max. (Kg)	Umidità residua %	Consumo energia kWh	Acqua totale lt	Durata ciclo
				Prelavaggio	Lavaggio	Ammorbidente					
Daily											
1	Cotone con prelavaggio: bianchi estremamente sporchi.	90°	1200	●	●	●	7	-	-	-	170'
2	Cotone: bianchi estremamente sporchi.	90°	1200	-	●	●	7	-	-	-	160'
3	Cotone Colorati: bianchi poco sporchi e colori delicati.	40°	1200	-	●	●	7	-	-	-	90'
4	Sintetici: colori resistenti molto sporchi.	60°	1000	-	●	●	3,5	44	0,93	53	130'
5	Sintetici (3): colori resistenti poco sporchi.	40°	1000	-	●	●	3,5	-	-	-	100'
6	Eco Cotone (1): bianchi e colorati resistenti molto sporchi.	60°	1200	-	●	●	7	53	1,21	52,5	170'
6	Eco Cotone (2): bianchi poco sporchi e colori delicati.	40°	1200	-	●	●	7	53	0,97	75	230'
7	Cotone 20°: bianchi poco sporchi e colori delicati.	20°	1200	-	●	●	7	-	-	-	170'
Special											
8	Lana: per lana, cachemire, ecc.	40°	800	-	●	●	1,5	-	-	-	70'
9	Seta e tende: per capi in seta, viscosa, lingerie.	30°	0	-	●	●	1	-	-	-	55'
10	Jeans	40°	800	-	●	●	3	-	-	-	75'
11	Express: Per rinfrescare rapidamente capi poco sporchi (non indicato per la lana, seta e capi da lavare a mano).	30°	800	-	●	●	1,5	-	-	-	15'
Sport											
12	Sport Intensive	30°	600	-	●	●	3	-	-	-	85'
13	Sport Light	30°	600	-	●	●	3	-	-	-	60'
14	Special Shoes	30°	600	-	●	●	Max. 2 paia	-	-	-	60'
Parziali											
	Risciacquo	-	1200	-	-	●	7	-	-	-	36'
	Centrifuga + Scarico	-	1200	-	-	-	7	-	-	-	10'
	Solo Scarico *	-		-	-	-	7	-	-	-	3'

* Selezionando il programma  ed escludendo la centrifuga la macchina effettuerà solo lo scarico.

La durata del ciclo indicata sul display o su questo libretto è una stima calcolata in base a condizioni standard. Il tempo effettivo può variare in base a numerosi fattori quali la temperatura e la pressione dell'acqua in ingresso, la temperatura ambiente, la quantità di detersivo, la quantità ed il tipo di carico, il bilanciamento del carico, le opzioni aggiuntive selezionate.

1) Programma di controllo secondo il regolamento 1061/2010: impostare il programma 6 con una temperatura di 60°C.

Questo ciclo è adatto per pulire un carico di cotone normalmente sporco ed è il più efficiente in termini di consumo combinato di energia e di acqua, da usare su capi lavabili a 60°. La temperatura effettiva di lavaggio può differire da quella indicata.

2) Programma di controllo secondo il regolamento 1061/2010: impostare il programma 6 con una temperatura di 40°C.

Questo ciclo è adatto per pulire un carico di cotone normalmente sporco ed è il più efficiente in termini di consumo combinato di energia e di acqua, da usare su capi lavabili a 40°. La temperatura effettiva di lavaggio può differire da quella indicata.

Per tutti Test Institutes:

2) Programma cotone lungo: impostare il programma 6 con una temperatura di 40°C.

3) Programma sintetico lungo: impostare il programma 5 con una temperatura di 40°C.

Cotone 20° (programma 7) ideale per carichi in cotone sporchi. Le buone performance anche a freddo, comparabili con un lavaggio a 40°, sono garantite da un'azione meccanica che lavora con variazione di velocità a picchi ripetuti e ravvicinati. **Express** (programma 11) è studiato per lavare capi leggermente sporchi in poco tempo: dura solo 15 minuti e fa così risparmiare energia e tempo. Impostando il programma (11 a 30°C) è possibile lavare insieme tessuti di diversa natura (esclusi lana e seta) con un carico massimo di 1,5 kg.

Sport Intensive (programma 12) è studiato per lavare tessuti per abbigliamento sportivo (tute, calzoncini, ecc.) molto sporchi; per ottenere i migliori risultati è consigliabile non superare il carico massimo indicato nella "Tabella dei programmi".

Sport Light (programma 13) è studiato per lavare tessuti per abbigliamento sportivo (tute, calzoncini, ecc.) poco sporchi; per ottenere i migliori risultati è consigliabile non superare il carico massimo indicato nella "Tabella dei programmi". Si raccomanda di usare detersivo liquido, usare una dose adatta a mezzo carico.

Sport Shoes (programma 14) è studiato per lavare scarpe sportive; per ottenere i migliori risultati non lavarne più di 2 paia.

Impostare la temperatura

Ruotando la manopola TEMPERATURA si imposta la temperatura di lavaggio (vedi *Tabella programmi*).


La temperatura si può ridurre sino al lavaggio a freddo (❄). La macchina impedirà automaticamente di impostare una temperatura maggiore a quella massima prevista per ogni programma.

Impostare la centrifuga

Ruotando la manopola CENTRIFUGA si imposta la velocità di centrifuga del programma selezionato.

Le velocità massime previste per i programmi sono:

Programmi	Velocità massima
Cotone	1200 giri al minuto
Sintetici	1000 giri al minuto
Lana	800 giri al minuto
Seta	solo scarico

La velocità di centrifuga può essere ridotta, oppure esclusa selezionando il simbolo .

La macchina impedirà automaticamente di effettuare una centrifuga maggiore a quella massima prevista per ogni programma.

Opzioni

Le varie opzioni di lavaggio previste dalla lavabiancheria permettono di ottenere la pulizia e il bianco desiderati.

Per attivare le opzioni:

1. premere il tasto relativo all'opzione desiderata;
2. l'accensione della spia relativa segnala che l'opzione è attiva.

Nota:

- Se l'opzione selezionata non è compatibile con il programma impostato la spia relativa lampeggerà e l'opzione non verrà attivata.
- Se l'opzione selezionata non è compatibile con un'altra precedentemente impostata, la spia relativa alla prima funzione selezionata lampeggerà e verrà attivata solo la seconda, la spia dell'opzione attivata si illuminerà.

EcoTime

Selezionando questa opzione la movimentazione meccanica, la temperatura e l'acqua sono ottimizzate per un carico ridotto di cotone e sintetici poco sporchi (vedi *"Tabella dei programmi"*).

Con **"EcoTime"** puoi lavare in tempi ridotti, risparmiando acqua ed energia. Si consiglia di utilizzare una dose di detersivo liquido adatta alla quantità di carico.

Energy Saver

L'opzione **Energy Saver** risparmia energia non riscaldando l'acqua utilizzata per lavare i tuoi capi, un vantaggio sia per l'ambiente che per la tua bolletta dell'elettricità. Al contrario, un'azione meccanica intensificata ed un utilizzo ottimizzato dell'acqua assicurano ottimi risultati di lavaggio nello stesso tempo di un ciclo standard.

Per i migliori risultati di lavaggio, raccomandiamo l'utilizzo di detersivo liquido.

Extra Risciacquo

Selezionando questa opzione si aumenta l'efficacia del risciacquo, e si assicura la massima rimozione del detersivo. E' utile per pelli particolarmente sensibili.

Partenza ritardata

Ritarda l'avvio della macchina sino a 12 ore.

Premere più volte il tasto fino a far accendere la spia relativa al ritardo desiderato. Alla quinta pressione del tasto l'opzione si disattiverà.

N.B.: Una volta premuto il tasto AVVIO/PAUSA, si può modificare il valore del ritardo solo diminuendolo fino ad avviare il programma impostato.

Detersivi e biancheria

IT

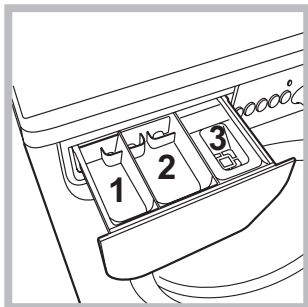
Cassetto dei detersivi

Il buon risultato del lavaggio dipende anche dal corretto dosaggio del detersivo: eccedendo non si lava in modo più efficace e si contribuisce a incrostare le parti interne della lavabiancheria e a inquinare l'ambiente.

! Non usare detersivi per il lavaggio a mano, perché formano troppa schiuma.

! Usare detersivi in polvere per capi in cotone bianchi e per il prelavaggio e per lavaggi con temperatura superiore a 60°C.

! Seguire le indicazioni riportate sulla confezione di detersivo.



Estrarre il cassetto dei detersivi e inserire il detersivo o l'additivo come segue.

vaschetta 1: Detersivo per prelavaggio (in polvere)

vaschetta 2: Detersivo per lavaggio (in polvere o liquido)

Il detersivo liquido va versato solo prima dell'avvio.

vaschetta 3: Additivi (ammorbidente, ecc.)

L'ammorbidente non deve fuoriuscire dalla griglia.

Preparare la biancheria

- Suddividere la biancheria secondo:
 - il tipo di tessuto / il simbolo sull'etichetta.
 - i colori: separare i capi colorati da quelli bianchi.
- Vuotare le tasche e controllare i bottoni.
- Non superare i valori indicati nella "Tabella dei Programmi" riferiti al peso della biancheria asciutta.

Quanto pesa la biancheria?

- 1 lenzuolo 400-500 gr.
- 1 federa 150-200 gr.
- 1 tovaglia 400-500 gr.
- 1 accappatoio 900-1.200 gr.
- 1 asciugamano 150-250 gr.

Capi particolari

Lana: con il programma **8** è possibile lavare in lavatrice tutti i capi in lana, anche quelli con l'etichetta "solo lavaggio a mano" . Per ottenere i migliori risultati utilizzare un detersivo specifico e non superare 1,5 kg di bucato.

Seta: utilizzare l'apposito programma **9** per lavare tutti i capi in seta. Si consiglia l'utilizzo di un detersivo specifico per capi delicati.

Tende: si raccomanda di piegarle e sistemarle dentro una federa o un sacchetto a rete. Utilizzare il programma **9**.

Jeans: rovesciare i capi prima del lavaggio ed utilizzare un detersivo liquido. Utilizzare il programma **10**.

Sistema bilanciamento del carico

Prima di ogni centrifuga, per evitare vibrazioni eccessive e per distribuire il carico in modo uniforme, il cestello effettua delle rotazioni ad una velocità leggermente superiore a quella del lavaggio. Se al termine di ripetuti tentativi il carico non fosse ancora correttamente bilanciato la macchina effettua la centrifuga ad una velocità inferiore a quella prevista. In presenza di eccessivo sbilanciamento la lavabiancheria effettua la distribuzione anziché la centrifuga. Per favorire una migliore distribuzione del carico e il suo corretto bilanciamento si consiglia di mescolare capi grandi e piccoli.

Può accadere che la lavabiancheria non funzioni. Prima di telefonare all'Assistenza (vedi "Assistenza"), controllare che non si tratti di un problema facilmente risolvibile aiutandosi con il seguente elenco.

Anomalie:

La lavabiancheria non si accende.

Il ciclo di lavaggio non inizia.

La lavabiancheria non carica acqua (lampeggia velocemente la spia della prima fase di lavaggio).

La lavabiancheria carica e scarica acqua di continuo.

La lavabiancheria non scarica o non centrifuga.

La lavabiancheria vibra molto durante la centrifuga.

La lavabiancheria perde acqua.

Le spie delle "opzioni" e la spia di "avvio/pausa" lampeggiano e una delle spie della "fase in corso" e di "oblò bloccato" si accendono fisse.

Si forma troppa schiuma.

Possibili cause / Soluzione:

- La spina non è inserita nella presa della corrente, o non abbastanza da fare contatto.
- In casa non c'è corrente.

- L'oblò non è ben chiuso.
- Il tasto ON/OFF non è stato premuto.
- Il tasto AVVIO/PAUSA non è stato premuto.
- Il rubinetto dell'acqua non è aperto.
- Si è impostato un ritardo sull'ora di avvio.

- Il tubo di alimentazione dell'acqua non è collegato al rubinetto.
- Il tubo è piegato.
- Il rubinetto dell'acqua non è aperto.
- In casa manca l'acqua.
- Non c'è sufficiente pressione.
- Il tasto AVVIO/PAUSA non è stato premuto.

- Il tubo di scarico non è installato fra 65 e 100 cm da terra (vedi "Installazione").
- L'estremità del tubo di scarico è immersa nell'acqua (vedi "Installazione").
- Lo scarico a muro non ha lo sfiato d'aria.

Se dopo queste verifiche il problema non si risolve, chiudere il rubinetto dell'acqua, spegnere la lavabiancheria e chiamare l'Assistenza. Se l'abitazione si trova agli ultimi piani di un edificio, è possibile che si verifichino fenomeni di sifonaggio, per cui la lavabiancheria carica e scarica acqua di continuo. Per eliminare l'inconveniente sono disponibili in commercio apposite valvole anti-sifonaggio.

- Il programma non prevede lo scarico: con alcuni programmi occorre avviarlo manualmente.
- Il tubo di scarico è piegato (vedi "Installazione").
- La conduttura di scarico è ostruita.

- Il cestello, al momento dell'installazione, non è stato sbloccato correttamente (vedi "Installazione").
- La lavabiancheria non è in piano (vedi "Installazione").
- La lavabiancheria è stretta tra mobili e muro (vedi "Installazione").

- Il tubo di alimentazione dell'acqua non è ben avvitato (vedi "Installazione").
- Il cassetto dei detersivi è intasato (per pulirlo vedi "Manutenzione e cura").
- Il tubo di scarico non è fissato bene (vedi "Installazione").

- Spegnere la macchina e togliere la spina dalla presa, attendere circa 1 minuto quindi riaccenderla.
Se l'anomalia persiste, chiamare l'Assistenza.

- Il detersivo non è specifico per lavabiancheria (deve esserci la dicitura "per lavatrice", "a mano e in lavatrice", o simili).
- Il dosaggio è stato eccessivo.

Assistenza

IT

Prima di contattare l'Assistenza:

- Verificare se l'anomalia può essere risolta da soli (vedi "Anomalie e rimedi").
- Riavviare il programma per controllare se l'inconveniente è stato oviato;
- In caso negativo, contattare il Numero Unico 02.20.30.

! Non ricorrere mai a tecnici non autorizzati.

Comunicare:

- il tipo di anomalia;
- il modello della macchina (Mod.);
- il numero di serie (S/N).

Queste informazioni si trovano sulla targhetta applicata nella parte posteriore della lavabiancheria e nella parte anteriore aprendo l'oblò.

Assistenza Attiva 7 giorni su 7

In caso di necessità d'intervento chiamare il Numero Unico Nazionale 02.20.30.

Un operatore sarà a completa disposizione per fissare un appuntamento con il Centro Assistenza Tecnico Autorizzato più vicino al luogo da cui si chiama. È attivo 7 giorni su 7, sabato e domenica compresi, e non lascia mai inascoltata una richiesta.

* Al costo di 14,25 centesimi di Euro al minuto (iva inclusa) dal Lun. al Ven. dalle 08:00 alle 18:30, il Sab. dalle 08:00 alle 13:00 e di 5,58 centesimi di Euro al minuto (iva inclusa) dal Lun. al Ven. dalle 18:30 alle 08:00, il Sab. dalle 13:00 alle 08:00 e i giorni festivi, per chi chiama da telefono fisso. Per chi chiama da radiomobile le tariffe sono legate al piano tariffario dell'operatore telefonico utilizzato. Le suddette tariffe potrebbero essere soggette a variazione da parte dell'operatore telefonico; per maggiori informazioni consultare il sito www.aristonchannel.com.

FR

Français

IWC 71281

Sommaire

Installation, 26-27

Déballage et mise à niveau
Raccordements eau et électricité
Premier cycle de lavage
Caractéristiques techniques

Entretien et soin, 28

Coupure de l'arrivée d'eau et du courant
Nettoyage du lave-linge
Nettoyage du tiroir à produits lessiviels.
Entretien du hublot et du tambour
Nettoyage de la pompe
Contrôle du tuyau d'arrivée de l'eau

Précautions et conseils, 29

Sécurité générale
Mise au rebut

Description du lave-linge et démarrage d'un programme, 30-31

Bandeau de commandes
Voyants
Démarrage d'un programme

Programmes, 32

Tableau des programmes

Personnalisations, 33

Sélection de la température
Sélection de l'essorage
Fonctions

Produits lessiviels et linge, 34

Tiroir à produits lessiviels
Triage du linge
Linge ou vêtements particuliers
Système d'équilibrage de la charge

Anomalies et remèdes, 35

Assistance, 36

Installation

FR

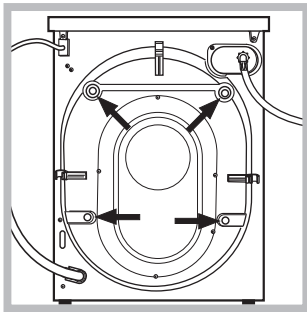
! Conserver ce mode d'emploi pour pouvoir le consulter à tout moment. En cas de vente, de cession ou de déménagement, veiller à ce qu'il suive toujours le lave-linge pour que son nouveau propriétaire soit informé sur son mode de fonctionnement et puisse profiter des conseils correspondants.

! Lire attentivement les instructions: elles fournissent des conseils importants sur l'installation, l'utilisation et la sécurité de l'appareil.

Déballage et mise à niveau

Déballage

1. Déballer le lave-linge.
2. Contrôler que le lave-linge n'a pas été endommagé pendant le transport. S'il est abîmé, ne pas le raccorder et contacter le vendeur.



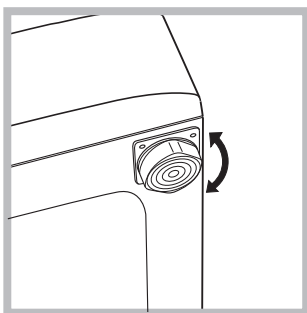
3. Enlever les 4 vis de protection servant au transport, le caoutchouc et la cale, placés dans la partie arrière (voir figure).

4. Boucher les trous à l'aide des bouchons plastique fournis.
5. Conserver toutes ces pièces: il faudra les remonter en cas de transport du lave-linge.

! Les pièces d'emballage ne sont pas des jouets pour enfants.

Mise à niveau

1. Installer le lave-linge sur un sol plat et rigide, sans l'appuyer contre des murs, des meubles ou autre.

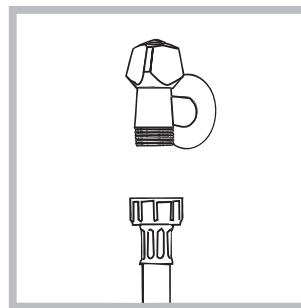


2. Si le sol n'est pas parfaitement horizontal, visser ou dévisser les pieds de réglage avant (voir figure) pour niveler l'appareil; son angle d'inclinaison, mesuré sur le plan de travail, ne doit pas dépasser 2°.

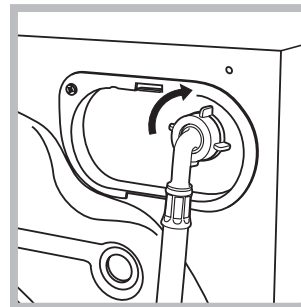
Une bonne mise à niveau garantit la stabilité de l'appareil et évite qu'il y ait des vibrations, du bruit et des déplacements en cours de fonctionnement. Si la machine est posée sur de la moquette ou un tapis, régler les pieds de manière à ce qu'il y ait suffisamment d'espace pour assurer une bonne ventilation.

Raccordements eau et électricité

Raccordement du tuyau d'arrivée de l'eau



1. Reliez le tuyau d'alimentation en le vissant à un robinet d'eau froide à embout fileté 3/4 gaz (voir figure). Faire couler l'eau jusqu'à ce qu'elle soit limpide et sans impuretés avant de raccorder.



2. Raccorder le tuyau d'arrivée de l'eau au lave-linge en le vissant à la prise d'eau prévue, dans la partie arrière en haut à droite (voir figure).

3. Attention à ce que le tuyau ne soit pas plié ou écrasé.

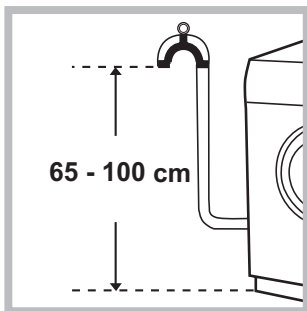
! La pression de l'eau doit être comprise entre les valeurs indiquées dans le tableau des Caractéristiques techniques (voir page ci-contre).

! Si la longueur du tuyau d'alimentation ne suffit pas, s'adresser à un magasin spécialisé ou à un technicien agréé.

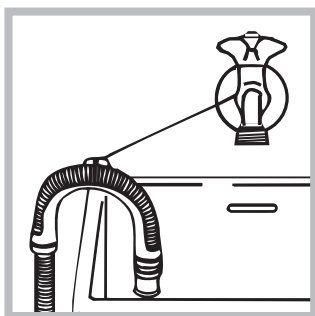
! N'utiliser que des tuyaux neufs.

! Utiliser ceux qui sont fournis avec l'appareil.

Raccordement du tuyau de vidange



Raccorder le tuyau d'évacuation, sans le plier, à un conduit d'évacuation ou à une évacuation murale placés à une distance du sol comprise entre 65 et 100 cm;



Autrement, accrocher le tuyau de vidange à un évier ou à une baignoire, dans ce cas, attacher la crose (à acheter au service d'assistance) au robinet (voir figure). L'extrémité libre du tuyau d'évacuation ne doit pas être plongée dans l'eau.

! L'utilisation d'un tuyau de rallonge est absolument déconseillée mais si on ne peut faire autrement, il faut absolument qu'il ait le même diamètre que le tuyau original et sa longueur ne doit pas dépasser 150 cm.

Branchement électrique

Avant de brancher la fiche dans la prise de courant, s'assurer que:

- la prise est bien reliée à la terre et est conforme aux réglementations en vigueur;
- la prise est bien apte à supporter la puissance maximale de l'appareil indiquée dans le tableau des Caractéristiques techniques (voir ci-contre);
- la tension d'alimentation est bien comprise entre les valeurs figurant dans le tableau des Caractéristiques techniques (voir ci-contre);
- la prise est bien compatible avec la fiche du lave-linge. Autrement, remplacer la prise ou la fiche.

! Le lave-linge ne doit pas être installé dehors, même à l'abri, car il est très dangereux de le laisser exposé à la pluie et aux orages.

! Après installation du lave-linge, la prise de courant doit être facilement accessible.

! N'utiliser ni rallonges ni prises multiples.

! Le câble ne doit être ni plié ni trop écrasé.

! Le câble d'alimentation ne doit être remplacé que par des techniciens agréés.

Attention! Nous déclinons toute responsabilité en cas de non-respect des normes énumérées ci-dessus.

Premier cycle de lavage

Avant la première mise en service de l'appareil, effectuer un cycle de lavage avec un produit lessiviel mais sans linge et sélectionner le programme 2.

Caractéristiques techniques

Modèle	IWC 71281
Dimensions	largeur 59,5 cm hauteur 85 cm profondeur 53,5 cm
Capacité	de 1 à 7 kg
Raccordements électriques	Voir la plaque signalétique appliquée sur la machine
Raccorde-ments hydrauliques	pression maximale 1 MPa (10 bar) pression minimale 0,05 MPa (0,5 bar) capacité du tambour 52 litres
Vitesse d'essorage	jusqu'à 1200 tours minute
Programmes de contrôle selon les règlements 1061/2010 et 1015/2010	programme 6; Eco Coton 60°C. programme 6; Eco Coton 40°C.
 	Cet appareil est conforme aux Directives Communautaires suivantes: - EMC - 2014/30/EU (Compatibilité électromagnétique) - 2012/19/EU (WEEE) - LVD - 2014/35/EU (Basse Tension)

Entretien et soin

FR

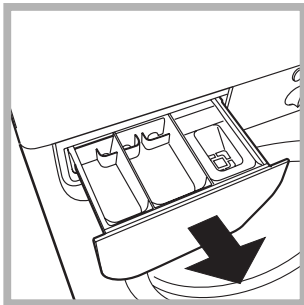
Coupure de l'arrivée d'eau et du courant

- Fermer le robinet de l'eau après chaque lavage. Cela réduit l'usure de l'installation hydraulique du lave-linge et évite tout danger de fuites.
- Débrancher la fiche de la prise de courant lors de tout nettoyage du lave-linge et pendant tous les travaux d'entretien.

Nettoyage du lave-linge

Pour nettoyer l'extérieur et les parties en caoutchouc, utiliser un chiffon imbibé d'eau tiède et de savon. N'utiliser ni solvants ni abrasifs.

Nettoyage du tiroir à produits lessiviels.



Soulever le tiroir et le tirer vers soi pour le sortir de son logement (voir figure). Le laver à l'eau courante; effectuer cette opération assez souvent.

Entretien du hublot et du tambour

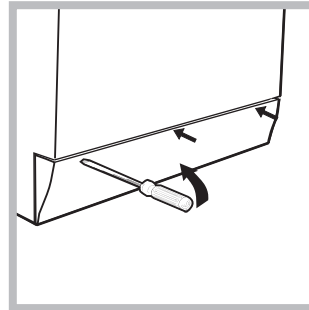
- Il faut toujours laisser le hublot entrouvert pour éviter la formation de mauvaises odeurs.

Nettoyage de la pompe

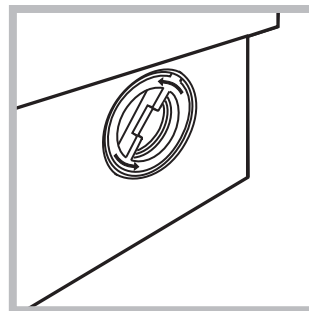
Le lave-linge est équipé d'une pompe autonettoyante qui n'exige aucune opération d'entretien. Il peut toutefois arriver que de menus objets (pièces de monnaie, boutons) tombent dans la préchambre qui protège la pompe, placée en bas de cette dernière.

! S'assurer que le cycle de lavage est bien terminé et débrancher la fiche.

Pour accéder à cette préchambre:



1. démonter le panneau situé à l'avant du lave-linge à l'aide d'un tournevis (voir figure);



2. dévisser le couvercle en le tournant dans le sens inverse des aiguilles d'une montre (voir figure); il est normal qu'un peu d'eau s'écoule;

3. nettoyer soigneusement l'intérieur;
4. revisser le couvercle;
5. remonter le panneau en veillant à bien enfiler les crochets dans les fentes prévues avant de le pousser contre l'appareil.

Contrôle du tuyau d'arrivée de l'eau

Contrôler le tuyau d'alimentation au moins une fois par an. Procéder à son remplacement en cas de craquements et de fissures; car les fortes pressions subies pendant le lavage pourraient provoquer des cassures.

! N'utiliser que des tuyaux neufs.

! Ce lave-linge a été conçu et fabriqué conformément aux normes internationales de sécurité. Ces consignes sont fournies pour des raisons de sécurité, il faut les lire attentivement.

de collecte séparée. Les consommateurs devront contacter les autorités locales ou leur revendeur concernant la démarche à suivre pour l'enlèvement de leur vieil appareil.

FR

Sécurité générale

- Cet appareil est conçu pour un usage domestique.
- Cet appareil peut être utilisé par les enfants à partir de 8 ans et par les personnes dont les capacités physiques, sensorielles ou mentales sont réduites ou qui ne disposent pas des connaissances suffisantes, à condition qu'ils soient encadrés ou aient été formés de façon appropriée pour l'utilisation de l'appareil de façon sûre et en comprenant les dangers qui y sont liés. Les enfants ne doivent pas jouer avec l'appareil. L'entretien et le nettoyage ne doivent pas être effectués par les enfants sans surveillance.
- Ne jamais toucher l'appareil si l'on est pieds nus et si les mains sont mouillées ou humides.
- Ne jamais tirer sur le câble pour débrancher la fiche de la prise de courant.
- Ne pas ouvrir le tiroir à produits lessiviels si la machine est branchée.
- Ne pas toucher à l'eau de vidange, elle peut atteindre des températures très élevées.
- Ne pas forcer pour ouvrir le hublot: le verrouillage de sécurité qui protège contre les ouvertures accidentelles pourrait s'endommager.
- En cas de panne, éviter à tout prix d'accéder aux mécanismes internes pour tenter une réparation.
- Veiller à ce que les enfants ne s'approchent pas de l'appareil pendant son fonctionnement.
- Pendant le lavage, le hublot a tendance à se réchauffer.
- Deux ou trois personnes sont nécessaires pour déplacer l'appareil avec toutes les précautions nécessaires. Ne jamais le déplacer tout seul car il est très lourd.
- Avant d'introduire le linge, s'assurer que le tambour est bien vide.

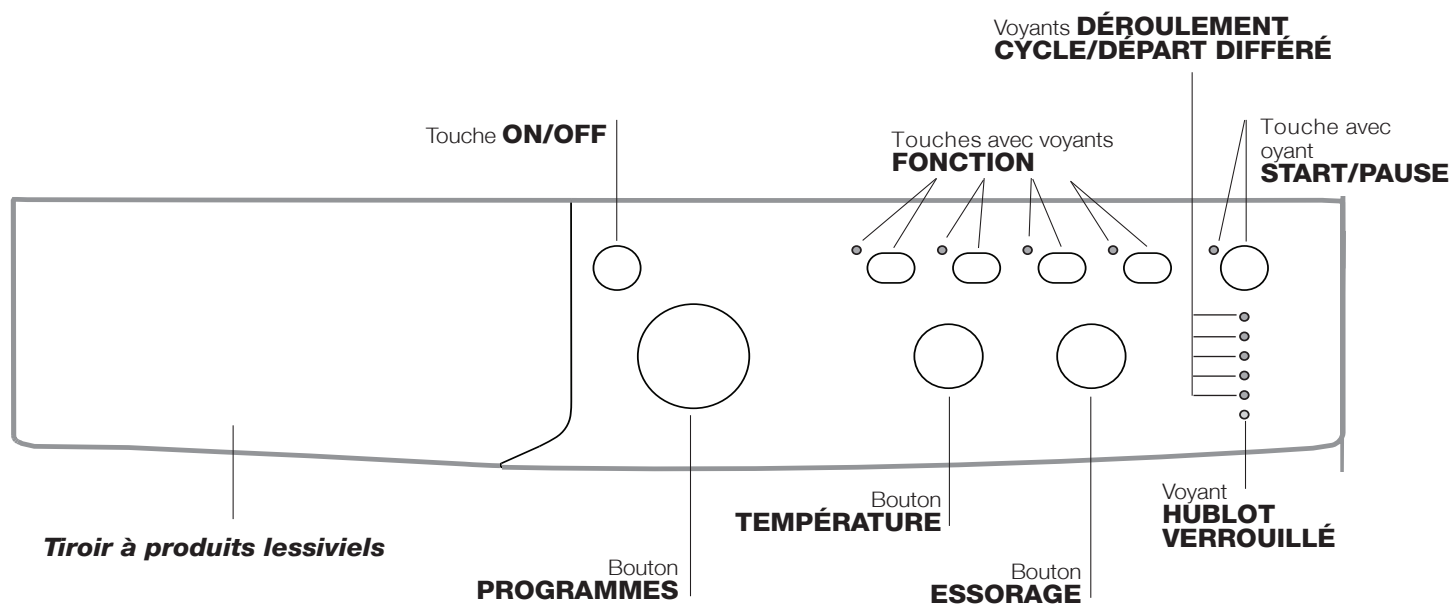
Mise au rebut

- Mise au rebut du matériel d'emballage: se conformer aux réglementations locales de manière à ce que les emballages puissent être recyclés.
- La Directive Européenne 2012/19/EU (WEEE) sur les Déchets des Equipements Electriques et Electroniques, exige que les appareils ménagers usagés ne soient pas jetés dans le flux normal des déchets municipaux. Les appareils usagés doivent être collectés séparément afin d'optimiser le taux de récupération et le recyclage des matériaux qui les composent et réduire l'impact sur la santé humaine et l'environnement. Le symbole de la "poubelle barrée" est apposée sur tous les produits pour rappeler les obligations

Description du lave-linge et démarrage d'un programme

FR

Bandeau de commandes



Tiroir à produits lessiviels: pour charger les produits lessiviels et les additifs (voir "Produits lessiviels et linge").

Touche **ON/OFF:** pour allumer ou éteindre le lave-linge.

Bouton **PROGRAMMES:** pour sélectionner les programmes. Pendant le programme, le bouton ne tournera pas.

Touches avec voyants **FONCTION:** pour sélectionner les fonctions disponibles. Le voyant correspondant à la fonction sélectionnée restera allumé.

Bouton **TEMPÉRATURE:** pour sélectionner la température ou un lavage à froid (voir "Personnalisations").

Bouton **ESSORAGE:** pour sélectionner l'essorage ou le supprimer (voir "Personnalisations").

Voyants **DÉROULEMENT CYCLE/DÉPART DIFFÉRÉ:** pour suivre le stade d'avancement du programme de lavage.

Le voyant allumé indique la phase de lavage en cours. Si la fonction "Départ différé" (départ différé) a été sélectionnée, ils indiquent le temps restant jusqu'au démarrage du programme (voir page ci-contre).

Voyant **HUBLLOT VERROUILLÉ:** indique si la porte est verrouillée (voir page ci-contre).

Touche avec voyant **START/PAUSE:** pour démarrer les programmes ou les interrompre momentanément.

N.B.: pour effectuer une pause du lavage en cours, appuyer sur cette touche, le voyant correspondant se mettra à clignoter en orange tandis que celui de la phase en cours restera allumé fixe. Si le voyant HUBLLOT VERROUILLÉ est éteint, on peut ouvrir la porte (3 minutes environ). Pour faire redémarrer le lavage exactement de l'endroit où il a été interrompu, appuyer une nouvelle fois sur la touche.

Stand-by

Ce lave-linge, conformément aux nouvelles normes en vigueur dans le domaine de l'économie d'énergie, est équipée d'un système d'extinction automatique (veille) activé après 30 minutes environ d'inutilisation. Appuyez brièvement sur la touche ON/OFF et attendre que la machine soit réactivée.

Voyants

Les voyants fournissent des informations importantes. Voilà ce qu'ils signalent:

Départ différé

Si la fonction "Départ différé" a été activée (voir "Personnalisations"), le voyant correspondant au temps sélectionné se mettra à clignoter, après avoir lancé le programme:

3h 

6h 

9h 

12h 

Au fur et à mesure que le temps passe, le temps restant est affiché avec clignotement du voyant correspondant.

3h 

6h 

9h 

12h 

Quand le retard sélectionné touche à sa fin le programme sélectionné démarre.

Voyants phase en cours

Une fois que le cycle de lavage sélectionné a démarré, les voyants s'allument progressivement pour indiquer son stade d'avancement:

Lavage 

Rinçage 

Essorage 

Vidange 

Fin de Lavage 

Touches fonction et voyants correspondants

La sélection d'une fonction entraîne l'allumage du voyant correspondant.


Si la fonction sélectionnée est incompatible avec le programme sélectionné, le voyant correspondant se met à clignoter et la fonction n'est pas activée.

Si l'option sélectionnée est incompatible avec une autre fonction précédemment sélectionnée, le voyant correspondant à la première fonction se met à clignoter et seule la deuxième fonction est activée, le voyant de la touche s'allume au fixe.

Voyant hublot verrouillé

Le voyant allumé indique que le hublot est verrouillé pour en empêcher l'ouverture. Attendre que le voyant cesse de clignoter avant d'ouvrir la porte (3 minutes environ). Pour ouvrir le hublot tandis qu'un cycle est en cours, appuyer sur la touche START/PAUSE; si le voyant HUBLOT VERROUILLÉ est éteint, on peut ouvrir le hublot.

Démarrage d'un programme

1. Allumer le lave-linge en appuyant sur la touche ON/OFF. Tous les voyants s'allument pendant quelques secondes puis s'éteignent, seul le voyant START/PAUSE flashe.
2. Charger le linge et fermer le hublot.
3. Sélectionner à l'aide du bouton PROGRAMMES le programme désiré.
4. Sélectionner la température de lavage (voir "Personnalisations").
5. Sélectionner la vitesse d'essorage (voir "Personnalisations").
6. Verser les produits lessiviels et les additifs (voir "Produits lessiviels et linge").
7. Sélectionner les fonctions désirées.
8. Appuyer sur la touche START/PAUSE pour démarrer le programme, le voyant correspondant vert restera allumé en fixe. Pour annuler le cycle sélectionné, appuyer sur la touche START/PAUSE pour placer l'appareil en pause et choisir un nouveau cycle.
9. A la fin du programme, le voyant **END** s'allume. Quand le voyant HUBLOT VERROUILLÉ  s'éteint, on peut ouvrir le hublot (3 minutes environ). Sortir le linge et laisser le hublot entrouvert pour faire sécher le tambour. Eteindre le lave-linge en appuyant sur la touche ON/OFF.

Programmes

Tableau des programmes

Programmes	Description du Programme	Temp. maxi. (°C)	Vitesse maxi (tours minute)	Lessive			Charge maxi (kg)	Humidité résiduelle %	Consommation d'énergie kWh	Eau totale lt	Durée cycle
				Pré-lavage	Lavage	Assou-plissant					
Programmes Quotidiens											
1	Coton avec Prélavage: blancs extrêmement sales.	90°	1200	●	●	●	7	-	-	-	170'
2	Coton blanc: blancs extrêmement sales.	90°	1200	-	●	●	7	-	-	-	160'
3	Coton couleurs: blancs peu sales et couleurs délicates.	40°	1200	-	●	●	7	-	-	-	90'
4	Synthétiques: couleurs résistantes très sales.	60°	1000	-	●	●	3,5	44	0,93	53	130'
5	Synthétiques (3): couleurs délicates peu sales.	40°	1000	-	●	●	3,5	-	-	-	100'
6	Eco Coton 60°C (1): blancs et couleurs résistantes très sales.	60°	1200	-	●	●	7	53	1,21	52,5	170'
6	Eco Coton 40°C (2): blancs et couleurs délicates peu sales.	40°	1200	-	●	●	7	53	0,97	75	230'
7	Coton 20°C: blancs et couleurs délicates peu sales.	20°	1200	-	●	●	7	-	-	-	170'
Programmes Spéciaux											
8	Laine: pour laine, cachemire, etc.	40°	800	-	●	●	1,5	-	-	-	70'
9	Soie et voilages: pour linge en soie, viscose, lingerie.	30°	0	-	●	●	1	-	-	-	55'
10	Jeans	40°	800	-	●	●	3	-	-	-	75'
11	Express: pour rafraîchir rapidement du linge peu sale (ne convient pas pour la laine, la soie et le linge à laver à la main).	30°	800	-	●	●	1,5	-	-	-	15'
Sport											
12	Sport Intensive	30°	600	-	●	●	3	-	-	-	85'
13	Sport Light	30°	600	-	●	●	3	-	-	-	60'
14	Sport Shoes	30°	600	-	●	●	Max, 2 paires	-	-	-	60'
Programmes partiels											
	Rinçage	-	1200	-	-	●	7	-	-	-	36'
	Essorage + Vidange	-	1200	-	-	-	7	-	-	-	10'
	Vidange seulement *	-		-	-	-	7	-	-	-	3'

* En cas de sélection du programme et de suppression de l'essorage, la machine n'effectuera que la vidange.

La durée du cycle indiquée sur l'écran ou dans la notice représente une estimation calculée dans des conditions standard. Le temps effectif peut varier en fonction de nombreux facteurs tels que : température et pression de l'eau en entrée, température ambiante, quantité de lessive, quantité et type de charge, équilibrage de la charge, options supplémentaires sélectionnées.

1) Programme de contrôle selon la règlementations 1061/2010: sélectionner le programme 6 et une température de 60°C.

Ce cycle convient au lavage d'une charge de coton normalement sale et c'est le plus performant en termes de consommation d'eau et d'énergie, l'utiliser pour du linge lavable à 60°C. La température effective de lavage peut différer de la température indiquée.

2) Programme de contrôle selon la règlementations 1061/2010: sélectionner le programme 6 et une température de 40°C.

Ce cycle convient au lavage d'une charge de coton normalement sale et c'est le plus performant en termes de consommation d'eau et d'énergie, l'utiliser pour du linge lavable à 40°C. La température effective de lavage peut différer de la température indiquée.

Pour tous les instituts qui effectuent ces tests :

2) Programme coton long: sélectionner le programme 6 et une température de 40°C.

3) Programme Synthétique ainsi que: sélectionner le programme 5 et une température de 40°C.

Coton 20 °C (programme 7): idéal pour des charges de linge sale en coton. Les bonnes performances, même à froid, comparables à celles d'un lavage à 40°, sont assurées grâce à une action mécanique qui brasse en variant la vitesse et avec des pics répétés et rapprochés.

Express (programme 11): spécialement conçu pour laver du linge peu sale en un rien de temps: il ne dure que 15 minutes et permet ainsi de faire des économies d'énergie et de temps. La sélection de ce programme (11 à 30°C) permet de laver ensemble des textiles différents (sauf laine et soie) en ne dépassant pas 1,5 kg de charge.

Sport Intensive (programme 12): est spécialement conçu pour laver des textiles vêtements de sport (survêtements, shorts, etc.) très sales; pour obtenir d'excellents résultats nous recommandons de ne pas dépasser la charge maximale indiquée dans le "Tableau des programmes".

Sport Light (programme 13): est spécialement conçu pour laver des textiles vêtements de sport (survêtements, shorts, etc.) peu sales; pour obtenir d'excellents résultats nous recommandons de ne pas dépasser la charge maximale indiquée dans le "Tableau des programmes". Nous recommandons d'utiliser de la lessive liquide, avec une dose pour la demi-charge.

Sport Shoes (programme 14): est spécialement conçu pour laver des chaussures de sport; pour obtenir d'excellents résultats nous recommandons de ne pas en laver plus de 2 paires à la fois.

Sélection de la température

Tourner le bouton TEMPÉRATURE pour sélectionner la température de lavage (voir *Tableau des programmes*).

La température peut être abaissée jusqu'au lavage à froid (❄).

La machine interdira automatiquement toute sélection d'une température supérieure à la température maximale prévue pour chaque programme.

Sélection de l'essorage

Tourner le bouton ESSORAGE pour sélectionner la vitesse d'essorage du programme sélectionné.

Les vitesses maximales prévues pour les programmes sont:

Programmes	Vitesse maximale
Coton	1200 tours/minute
Synthétiques	1000 tours/minute
Laine	800 tours/minute
Soie	vidange seule

La vitesse d'essorage peut être réduite ou l'essorage supprimé en sélectionnant le symbole (⊘).

La machine interdira automatiquement tout essorage à une vitesse supérieure à la vitesse maximale prévue pour chaque programme.

Fonctions

Les différentes fonctions de lavage prévues par le lave-linge permettent d'obtenir la propreté et le blanc souhaités.

Pour activer les fonctions:

1. appuyer sur la touche correspondant à la fonction désirée;
2. l'allumage du voyant correspondant signale que la fonction est activée.

Remarque:

- Si la fonction sélectionnée est incompatible avec le programme sélectionné, le voyant correspondant se met à clignoter et la fonction n'est pas activée.
- Si la fonction sélectionnée est incompatible avec une autre fonction précédemment sélectionnée, le voyant correspondant à la première fonction se met à clignoter et seule la deuxième fonction est activée, le voyant de la touche s'allume au fixe.

EcoTime

La sélection de cette option permet d'optimiser les mouvements mécaniques, la température et l'eau en fonction d'une charge réduite de coton et synthétiques peu sales (voir *"Tableau des programmes"*). "EcoTime" permet de laver en faisant des économies considérables de temps et de consommations d'eau et d'énergie. Il est conseillé d'utiliser une dose de lessive liquide adaptée à la charge.

Energy Savér

La fonction Energy Savér permet d'économiser l'énergie puisque l'eau utilisée pour la lessive n'est pas réchauffée : un plus pour l'environnement et pour votre facture d'électricité. L'action renforcée et l'optimisation de la consommation de l'eau garantissent d'excellents résultats pour une durée moyenne identique à celle d'un cycle standard. Pour de meilleurs résultats en matière de lavage, utilisez une lessive liquide.

Super Rinçage

La sélection de cette option permet d'augmenter l'efficacité du rinçage et d'éliminer totalement toute trace de lessive. Elle est très utile pour les peaux particulièrement sensibles.

Départ différé

Pour différer la mise en marche de la machine jusqu'à 12 heures.

Appuyer plusieurs fois de suite sur la touche jusqu'à ce que le voyant correspondant au retard souhaité s'allume. A la cinquième pression sur la touche, la fonction se désactive.

N.B: Après avoir appuyé sur la touche START/PAUSE, le retard programmé ne peut être modifié que pour le diminuer jusqu'à lancer le programme sélectionné.

Produits lessiviels et linge

FR

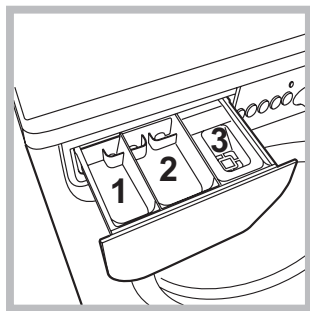
Tiroir à produits lessiviels

Un bon résultat de lavage dépend aussi d'un bon dosage de produit lessiviel: un excès de lessive ne lave pas mieux, il incruste l'intérieur du lave-linge et pollue l'environnement.

! Ne pas utiliser de lessives pour lavage à la main, elles moussent trop.

! Utiliser des lessives en poudre pour du linge en coton blanc et en cas de pré-lavage et de lavages à une température supérieure à 60°C.

! Respecter les indications figurant sur le paquet de lessive.



Sortir le tiroir à produits lessiviels et verser la lessive ou l'additif comme suit.

bac 1: Lessive pré-lavage (en poudre)

bac 2: Lessive lavage (en poudre ou liquide)

Versez la lessive liquide juste avant la mise en marche.

bac 3: Additifs (adoucissant, etc.)

L'assouplissant ne doit pas déborder de la grille.

! N'utilisez pas de lessives pour lavage à la main, elles génèrent trop de mousse.


Triage du linge

- Trier correctement le linge d'après:
 - le type de textile / le symbole sur l'étiquette.
 - les couleurs: séparer le linge coloré du blanc.
- Vider les poches et contrôler les boutons.
- Ne pas dépasser les valeurs indiquées dans le "Tableau des programmes" correspondant au poids de linge sec.

Combien pèse le linge ?

- 1 drap 400-500 g
- 1 taie d'oreiller 150-200 g
- 1 nappe 400-500 g
- 1 peignoir 900-1200 g
- 1 serviette éponge 150-250 g

Linge ou vêtements particuliers

Laine: grâce au programme **8** vous pouvez laver à la machine tous vos vêtements en laine, y compris ceux qui portent l'étiquette " lavage à la main uniquement " . Pour obtenir d'excellents résultats utilisez un produit lessiviel spécial et ne dépassez pas une charge de 1,5 kg.

Soie: sélectionner le programme de lavage spécial **9** pour vêtements en soie. Il est conseillé d'utiliser une lessive spéciale pour linge délicat.

Rideaux: pliez-les bien et glissez-les dans une taie d'oreiller ou dans un sac genre filet. Sélectionner le programme **9**.

Jeans: mettez les jeans à l'envers avant de les laver et utilisez une lessive liquide. Sélectionnez le programme **10**.

Système d'équilibrage de la charge

Avant tout essorage, pour éviter toute vibration excessive et répartir le linge de façon uniforme, le lave-linge fait tourner le tambour à une vitesse légèrement supérieure à la vitesse de lavage. Si au bout de plusieurs tentatives, la charge n'est toujours pas correctement équilibrée, l'appareil procède à un essorage à une vitesse inférieure à la vitesse normalement prévue. En cas de déséquilibre excessif, le lave-linge préfère procéder à la répartition du linge plutôt qu'à son essorage. Pour une meilleure répartition de la charge et un bon équilibrage, nous conseillons de mélanger de grandes et petites pièces de linge.

Il peut arriver que le lave-linge ne fonctionne pas bien. Avant d'appeler le Service de dépannage (voir "Assistance"), contrôler s'il ne s'agit pas par hasard d'un problème facile à résoudre à l'aide de la liste suivante.

Anomalies:

Causes / Solutions possibles:

Le lave-linge ne s'allume pas.

- La fiche n'est pas branchée dans la prise de courant ou mal branchée.
- Il y a une panne de courant.

Le cycle de lavage ne démarre pas.

- Le hublot n'est pas bien fermé.
- La touche ON/OFF n'a pas été enfoncée.
- La touche START/PAUSE n'a pas été enfoncée.
- Le robinet de l'eau n'est pas ouvert.
- Un départ différé a été sélectionné (voir "Personnalisations").

Il n'y a pas d'arrivée d'eau (le voyant de la première phase de lavage clignote rapidement).

- Le tuyau d'arrivée de l'eau n'est pas raccordé au robinet.
- Le tuyau est plié.
- Le robinet de l'eau n'est pas ouvert.
- Il y a une coupure d'eau.
- La pression n'est pas suffisante.
- La touche START/PAUSE n'a pas été enfoncée.

Le lave-linge prend l'eau et vidange continuellement.

- Le tuyau de vidange n'est pas installé à une distance du sol comprise entre 65 et 100 cm (voir "Installation").
- L'extrémité du tuyau de vidange est plongée dans l'eau (voir "Installation").
- L'évacuation murale n'a pas d'évent.

Si après ces vérifications, le problème persiste, fermer le robinet de l'eau, éteindre la machine et appeler le service Assistance. Si l'appartement est situé en étage dans un immeuble, il peut y avoir des phénomènes de siphonnage qui font que le lave-linge prend et évacue l'eau continuellement. Pour supprimer cet inconvénient, on trouve dans le commerce des soupapes spéciales anti-siphonnage.

Le lave-linge ne vidange pas et n'essore pas.

- Le programme ne prévoit pas de vidange: pour certains programmes, il faut la faire partir manuellement.
- Le tuyau de vidange est plié (voir "Installation").
- La conduite d'évacuation est bouchée.

Le lave-linge vibre beaucoup pendant l'essorage.

- Le tambour n'a pas été débloqué comme il faut lors de l'installation du lave-linge (voir "Installation").
- Le lave-linge n'est pas posé à plat (voir "Installation").
- Le lave-linge est coincé entre des meubles et le mur (voir "Installation").

Le lave-linge a des fuites.

- Le tuyau d'arrivée de l'eau n'est pas bien vissé (voir "Installation").
- Le tiroir à produits lessiviels est bouché (pour le nettoyer voir "Entretien et soin").
- Le tuyau de vidange n'est pas bien fixé (voir "Installation").

Les voyants des "Fonctions" et le voyant START/PAUSE clignotent. Le voyant du phase de lavage et le voyant hublot bloqué restent fixes.

- Eteindre l'appareil et débrancher la fiche de la prise de courant, attendre 1 minute environ avant de rallumer.
Si l'anomalie persiste, appeler le service d'assistance.

Il y a un excès de mousse.

- Le produit de lavage utilisé n'est pas une lessive spéciale machine (il faut qu'il y ait l'inscription "pour lave-linge", "main et machine", ou autre semblable).
- La quantité utilisée est excessive.

FR

Avant d'appeler le service après-vente:

- Vérifier si on ne peut pas résoudre l'anomalie par ses propres moyens (voir "*Anomalies et Remèdes*");
- Remettre le programme en marche pour contrôler si l'inconvénient a disparu;
- Autrement, contacter le Centre d'Assistance technique agréé au numéro de téléphone indiqué sur le certificat de garantie.

! Ne jamais s'adresser à des techniciens non agréés.

Communiquer:

- le type de panne;
- le modèle de l'appareil (Mod.);
- son numéro de série (S/N).

Ces informations se trouvent sur la plaque signalétique apposée à l'arrière du lave-linge et à l'avant quand on ouvre la porte hublot.