



ECOSYS M6030cdn
ECOSYS M6530cdn
ECOSYS M6035cidn
ECOSYS M6535cidn
PF-5100

PARTS LIST

Published in August 2017
2NVPL073
Rev.3

ECOSYS M6530cdn
ECOSYS M6535cidn
PF-5100

パーツリスト

2017年8月 改訂版
2NVPL013
Rev.3

ECOSYS M6030cdn
ECOSYS M6530cdn
ECOSYS M6035cidn
ECOSYS M6535cidn

Rev.3
August 2017

CONTENTS / 目次

FIG. 1 Covers 2	FIG. 19 Wire Section 1 (30ppm(A4),32ppm(Letter)/ 30ppm(A4),32ppm(Letter)(F)) 38
FIG. 2 Paper Cassette 4	FIG. 19 Wire Section 1 (35ppm(A4),37ppm(Letter)/ 35ppm(A4),37ppm(Letter)(F)) 40
FIG. 3 Paper Feed Section 1 6	FIG. 20 Wire Section 2 42
FIG. 4 Paper Feed Section 2 8	FIG. 21 Wire Section 3 44
FIG. 5 Conveying Section 1 10	FIG. 22 Wire Section 4 46
FIG. 6 Conveying Section 2 12	FIG. 23 Wire Section 5 (30ppm(A4),32ppm(Letter)/ 30ppm(A4),32ppm(Letter)(F)) 48
FIG. 7 Laser Scanner Section 14	FIG. 23 Wire Section 5 (35ppm(A4),37ppm(Letter)/ 35ppm(A4),37ppm(Letter)(F)) 50
FIG. 8 Developer Section 16	FIG. 24 Accessories 52
FIG. 9 Image Formation Section 18	FIG. 25 Maintenance Kits (30ppm(A4),32ppm(Letter)/ 30ppm(A4),32ppm(Letter)(F)) 54
FIG. 10 Transfer Section 20	FIG. 25 Maintenance Kits (35ppm(A4),37ppm(Letter)/ 35ppm(A4),37ppm(Letter)(F)) 55
FIG. 11 Fuser Section 22	
FIG. 12 Drive Section 24	
FIG. 13 Electrical Components 1 26	
FIG. 14 Electrical Components 2 28	
FIG. 15 Operation Section 30	
FIG. 16 Scanner Section 32	
FIG. 17 Document Processor 34	
FIG. 18 FAX Section 36	
	• INDEX / 索引 56

Symbols in the parts list

- Parts without a Ref.No. in the illustration indicate they are not supplied.
- Parts with a Ref.No. of 500 and above in the illustration indicate they are not selected for service parts.
- Parts with "*" are component parts or sub-assemblies of the assembly appearing immediately above them.
- Parts with "**" are component parts or sub-assembly with "*" appearing immediately above them.

<Notation of products>

For the purpose of this parts list, products are identified as following.
 ECOSYS M6030cdn : 30ppm(A4),32ppm(Letter)
 ECOSYS M6530cdn : 30ppm(A4),32ppm(Letter)(F)
 ECOSYS M6035cidn : 35ppm(A4),37ppm(Letter)
 ECOSYS M6535cidn : 35ppm(A4),37ppm(Letter)(F)

記号の見方

イラスト中で Ref 番号がない部品は供給できません。
 イラスト中で 500 番台の Ref 番号が付いている部品はサービスパーツに
 選定されていません。
 部品番号欄の・印は、組立部品の単品部品及び準組立部品を表わします。
 部品番号欄の**印は、準組立部品の単品部品を表わします。

<本体機種区別表記>

パーツリスト中の本体機種区別は、以下の様に記載します。
 ECOSYS M6530cdn : 30ppm(A4), 32ppm(Letter)(F)
 ECOSYS M6535cidn : 35ppm(A4), 37ppm(Letter)(F)

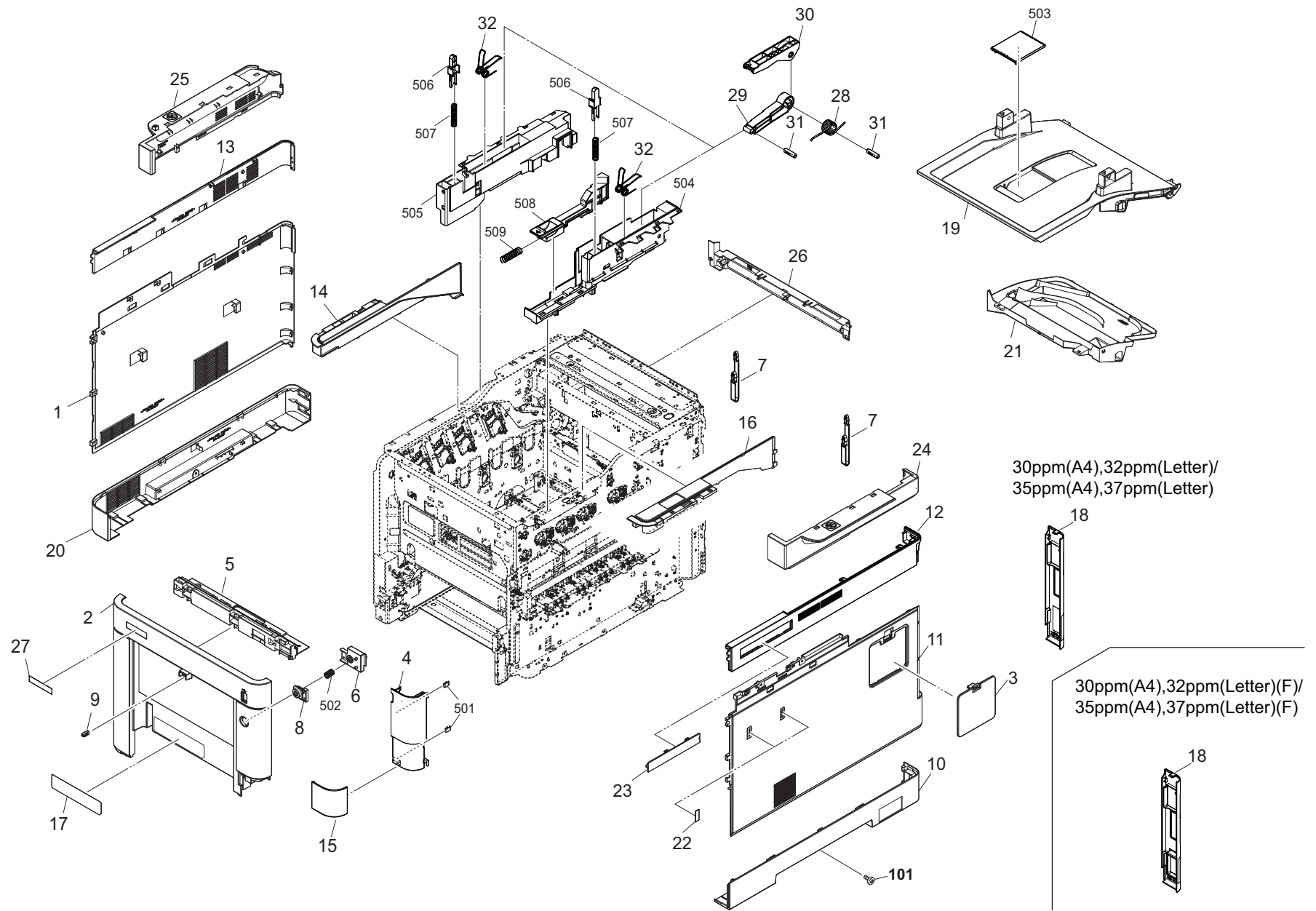


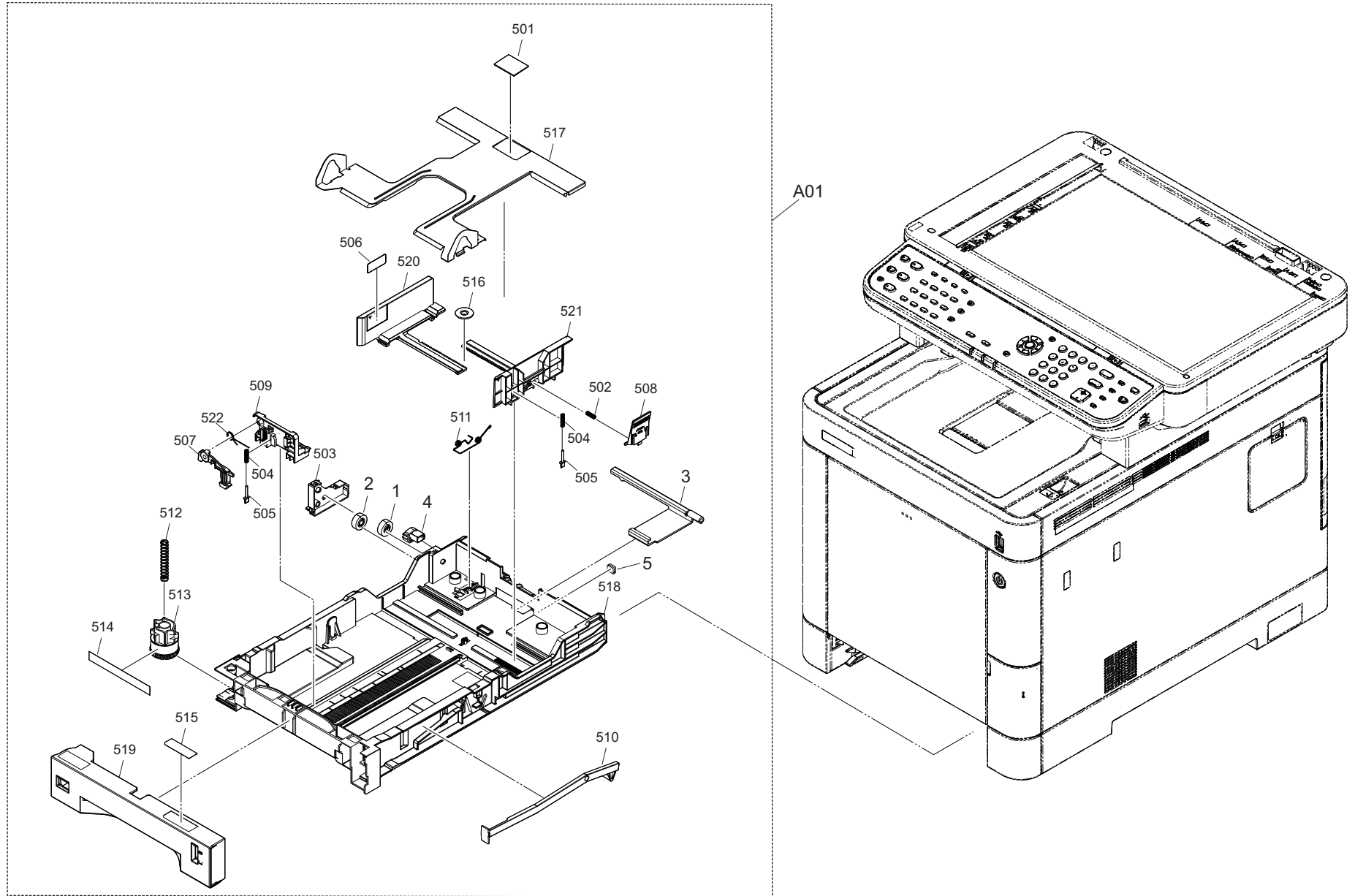
FIG. 1 Covers

2NV/2NW/2PB/2PC

Ref. No. 番号	Part.No. 部品番号	Alternative. 代替部品番号	Description 部 品 名 称	Notes 備 考	Revision 改 訂	Quantity 個数			
						100(日本)	120	230	240
1	302NR04030	2NR04030	COVER LEFT			1	1	1	1
2	302NR04050	2NR04050	COVER FRONT			1	1	1	1
3	302NR04190	2NR04190	COVER MEMORY			1	1	1	1
4	302NR04090	2NR04090	COVER WASTE			1	1	1	1
5	302NR04080	2NR04080	COVER FRONT UPPER			1	1	1	1
6	302NR04250	2NR04250	HOLDER MAIN SWITCH			1	1	1	1
7	302KV04130	2KV04130	STRAP COVER REAR			2	2	2	2
8	3V2LV04180	2LV04180	KEY SW			1	1	1	1
9	302HN08140	2HN08140	LUTCH			1	1	1	1
10	302NR04180	2NR04180	COVER RIGHT BOTTOM			1	1	1	1
11	302NV04040	2NV04040	COVER RIGHT			1	1	1	1
12	302NV04070	2NV04070	COVER RIGHT UPPER			1	1	1	1
13	302NV04060	2NV04060	COVER LEFT UPPER			1	1	1	1
14	302NV04140	2NV04140	COVER INNER LEFT			1	1	1	1
15	302NR04100	2NR04100	COVER WASTE LOW			1	1	1	1
16	302NV04150	2NV04150	COVER INNER RIGHT			1	1	1	1
17	302NR34020	2NR34020	LABEL JAM			1	1	1	1
18	302NV04110	2NV04110	COVER CONNECTOR	30ppm(A4),32ppm(Letter)(F)/35ppm(A4),37ppm(Letter)(F)		1	1	1	1
18	302NR04110	2NR04110	COVER CONNECTOR	30ppm(A4),32ppm(Letter)/35ppm(A4),37ppm(Letter)			1	1	1
19	302NV04020	2NV04020	LID TOP MFP			1	1	1	1
20	302NR04170	2NR04170	COVER LEFT BOTTOM			1	1	1	1
21	302NV04210	2NV04210	DUCT LID TOP MFP			1	1	1	1
22	302NV04120	2NV04120	SHEET RIGHT COVER			2	2	2	2
23	302NV04080	2NV04080	COVER RIGHT UPPER B			1	1	1	1
24	302NV04320	2NV04320	COVER ISU RIGHT			1	1	1	1
25	302NV04310	2NV04310	COVER ISU LEFT			1	1	1	1
26	302NV04160	2NV04160	COVER REAR UPPER			1	1	1	1
27	302PC34010	2PC34010	LABEL PRODUCT NAME	35ppm(A4),37ppm(Letter)(F)		1	1	1	1
27	302PB34010	2PB34010	LABEL PRODUCT NAME	35ppm(A4),37ppm(Letter)			1	1	
27	302NW34010	2NW34010	LABEL PRODUCT NAME	30ppm(A4),32ppm(Letter)(F)		1	1	1	1
27	302NV34010	2NV34010	LABEL PRODUCT NAME	30ppm(A4),32ppm(Letter)			1	1	1
28	302PB02020	2PB02020	SPRING-TORSION ISU A	35ppm(A4),37ppm(Letter)/35ppm(A4),37ppm(Letter)(F)		2	2	2	2
28	302NV02120	2NV02120	SPRING-TORSION ISU A	30ppm(A4),32ppm(Letter)/30ppm(A4),32ppm(Letter)(F)		2	2	2	2
29	302NV02030	2NV02030	ARM ISU LOWER			2	2	2	2
30	302NV02040	2NV02040	ARM ISU UPPER			2	2	2	2
31	302NV02050	2NV02050	PIN ARM ISU			4	4	4	4
32	302NV02130	2NV02130	SPRING-TORSION ISU B			2	2	2	2
101	7BB780308H	BB111200	+BIND T.T S SCREW 3X8 SR(BLACK)						

• Parts with a Ref.No. of 500 and above in the illustration indicate they are not selected for service parts.

• イラスト中で 500 番の Ref 番号が付いている部品はサービスパーツに選定されていません。



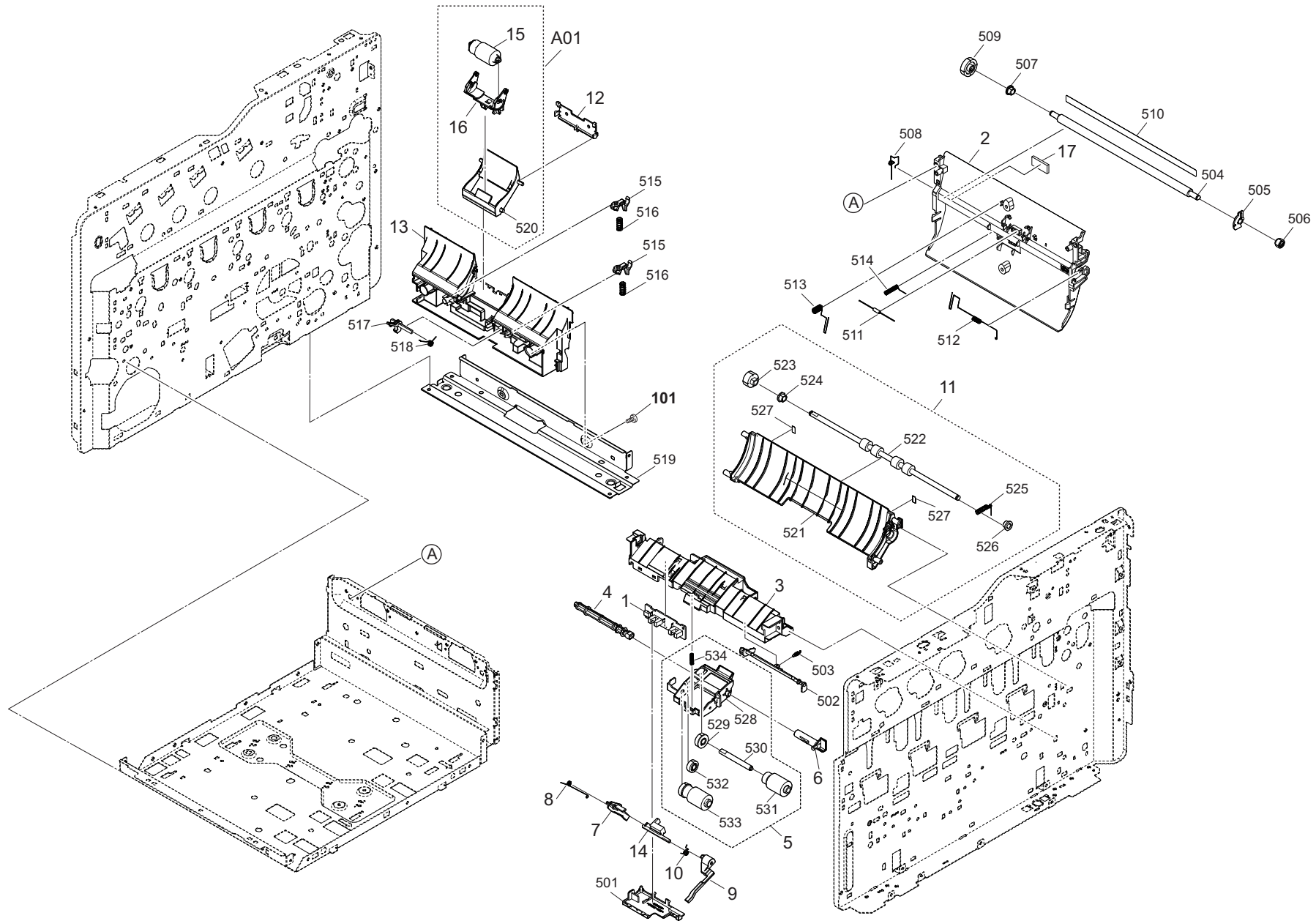


FIG. 3 Paper Feed Section 1

2NV/2NW/2PB/2PC-2

Ref. No. 番号	Part.No. 部品番号	Alternative. 代替部品番号	Description 部品名称	Notes 備考	Revision 改訂	Quantity 個数			
						100(日本)	120	230	240
1	302KT94070	2KT94070	PARTS PWB ASSY CASSETTE SP			1	1	1	1
2	302NR06511	2NR06511	FRAME FEED		1:Design-chg.	1	1	1	1
3	302NR06210	2NR06210	GUIDE PICK HOLDER			1	1	1	1
4	302KV06151	2KV06151	SHAFT FEED			1	1	1	1
5	302KV94191	2KV94191	PARTS HOLDER FEED ASSY SP			1	1	1	1
6	302KV06370	2KV06370	PIN FEED			1	1	1	1
7	302KV06180	2KV06180	RELEASE ACTUATOR PE			1	1	1	1
8	302NR06620	2NR06620	SPRING ACTUATOR		2:Part No-chg	1	1	1	1
9	302KV06341	2KV06341	ACTUATOR B			1	1	1	1
10	302KV06201	2KV06201	SPRING ACT			1	1	1	1
11	302NR94250	2NR94250	PARTS MIDDLE ROLLER ASSY SP			1	1	1	1
12	302NR06040	2NR06040	COVER RETARD			1	1	1	1
13	302NR06010	2NR06010	GUIDE CASSETTE			1	1	1	1
14	302KT06050	2KT06050	ACTUATOR PE			1	1	1	1
A01	302NT94061	2NT94061	PARTS RETARD ASSY SP		2:Design-chg.	1	1	1	1
15	*302F909171	2F909171	RETARD ROLLER ASSY		2:Part No-chg	1	1	1	1
16	*302NT06040	2NT06040	HOLDER RETARD A			1	1	1	1
17	302NR06590	2NR06590	PAD REGIST FEED		2:Add	1	1	1	1
101	7BB200308H	BB105660	+BIND T.T P SCREW 3X8						

• Parts with a Ref.No. of 500 and above in the illustration indicate they are not selected for service parts.

• イラスト中で 500 番台の Ref 番号が付いている部品はサービスパーツに選定されていません。

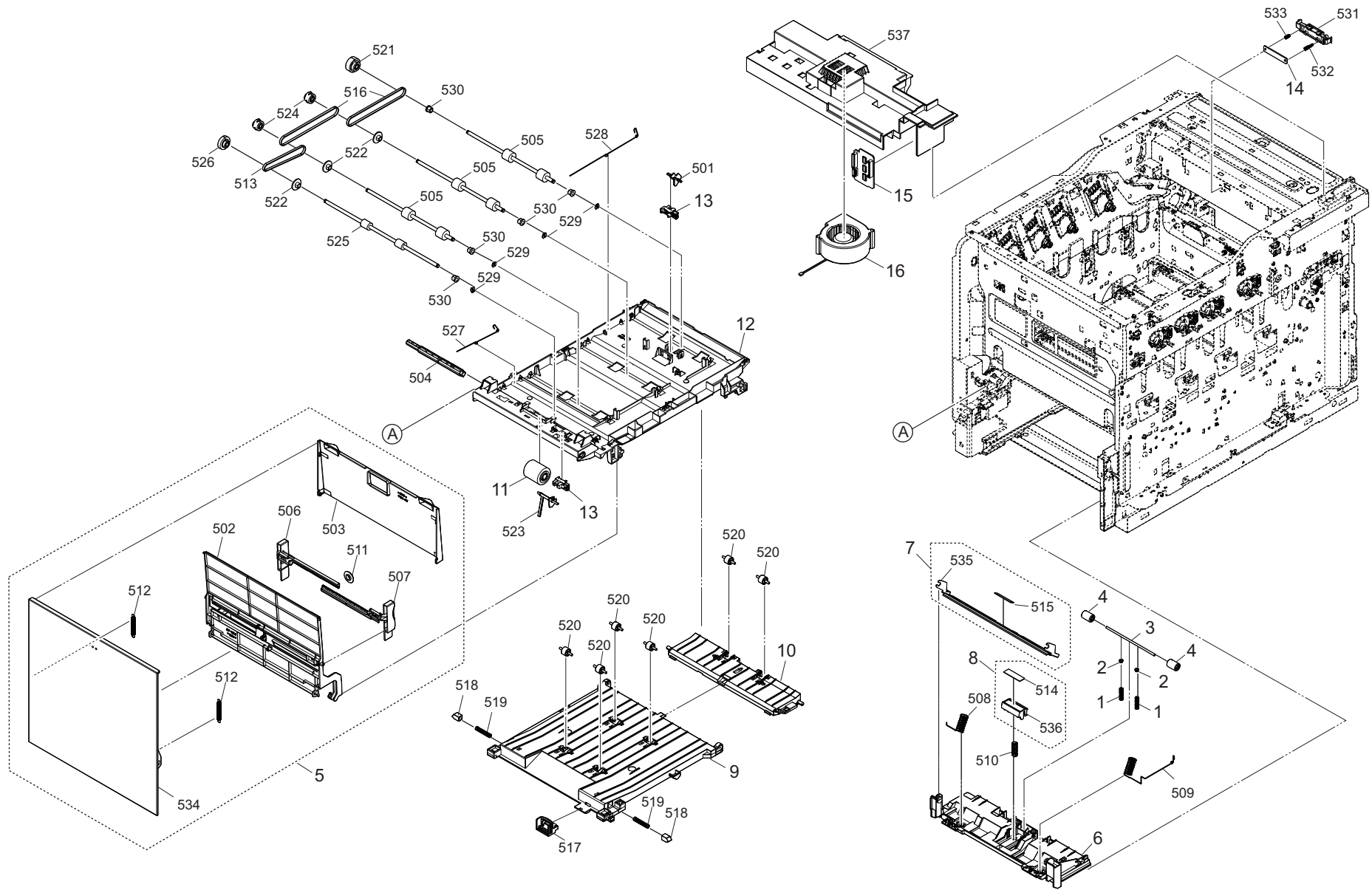


FIG. 4 Paper Feed Section 2

2NV/2NW/2PB/2PC-1

Ref. No. 番号	Part.No. 部品番号	Alternative. 代替部品番号	Description 部品名称	Notes 備考	Revision 改訂	Quantity 個数			
						100(日本)	120	230	240
1	302NR08220	2NR08220	SPRING PULLEY MPF			2	2	2	2
2	2FM04150	2FM04150	CAP SPRING/B-11 ENCLOSURE A4			2	2	2	2
3	302NR28090	2NR28090	SHAFT EXIT			1	1	1	1
4	302F929050	2F929050	PULLEY FEED DU			2	2	2	2
5	302NR94210	2NR94210	PARTS COVER MPF ASSY SP			1	1	1	1
6	302NR08040	2NR08040	FRAME MPF			1	1	1	1
7	302NR94220	2NR94220	PARTS PLATE BOTTOM MPF ASSY SP			1	1	1	1
8	302NR94270	2NR94270	PARTS SEPARATOR MPF ASSY SP			1	1	1	1
9	302NR08130	2NR08130	GUIDE MPF FEED LOW B			1	1	1	1
10	302NR08111	2NR08111	GUIDE MPF FEED LOW A			1	1	1	1
11	302HS08260	2HS08260	ROLLER M/P ASSY		1:Design-chg.	1	1	1	1
12	302NR08101	2NR08101	GUIDE MPF FEED UP		1:Design-chg.	1	1	1	1
13	302P794010	2P794010	PARTS SENSOR OPT. SP			2	2	2	2
14	302HN01240	2HN01240	P.W.BOARD ASSY FUSER ZENER	120V/230V/240V	1:Part No-chg.		1	1	1
14	302J901030	2J901030	P.W.BOARD ASSY FUSER ZENER	30ppm(A4),32ppm(Letter)(F)/35ppm(A4),37ppm(Letter)(F):100V	1:Part No-chg.	1			
15	302NV94020	2NV94020	PARTS PWB ASSY DP-DRIVE SP			1	1	1	1
16	302FZ94380	2FZ94380	PARTS,FAN COOLING DLP 70 SP			1	1	1	1

• Parts with a Ref.No. of 500 and above in the illustration indicate they are not selected for service parts.

• イラスト中で 500 番台の Ref 番号が付いている部品はサービスパーツに選定されていません。

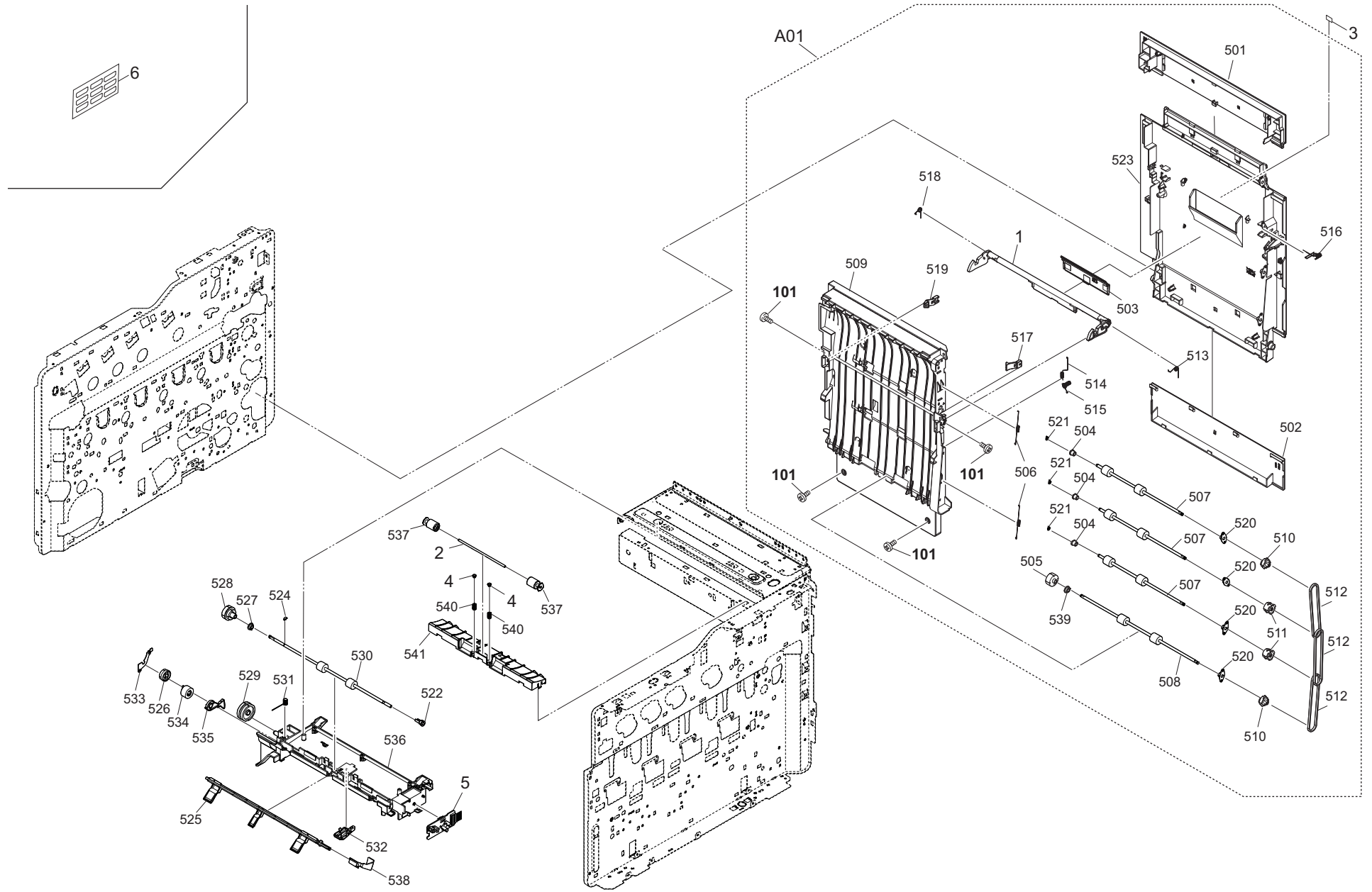


FIG. 5 Conveying Section 1

2NV/2NW/2PB/2PC

Ref. No. 番号	Part.No. 部品番号	Alternative. 代替部品番号	Description 部品名称	Notes 備考	Revision 改訂	Quantity 個数			
						100(日本)	120	230	240
A01	302NV94070	2NV94070	PARTS REAR COVER 250 MFP ASSY SP			1	1	1	1
1	•302NR29020	2NR29020	HOOK DU RELEASE			1	1	1	1
2	302NR28090	2NR28090	SHAFT EXIT			1	1	1	1
3	302MC34040	2MC34040	LABEL PUSH			1	1	1	1
4	2FM04150	2FM04150	CAP SPRING/B-11 ENCLOSURE A4			2	2	2	2
5	302NR94130	2NR94130	PARTS PWB ASSY EXIT SP	30ppm(A4),32ppm(Letter)/30ppm(A4),32ppm(Letter)(F)		1	1	1	1
5	302NS94050	2NS94050	PARTS PWB ASSY EXIT SP	35ppm(A4),37ppm(Letter)/35ppm(A4),37ppm(Letter)(F)		1	1	1	1
6	302NR34090	2NR34090	LABEL PUSH SET				1	1	
101	7BB200308H	BB105660	+BIND T.T P SCREW 3X8						

• Parts with a Ref.No. of 500 and above in the illustration indicate they are not selected for service parts.

• イラスト中で 500 番台の Ref 番号が付いている部品はサービスパーツに選定されていません。

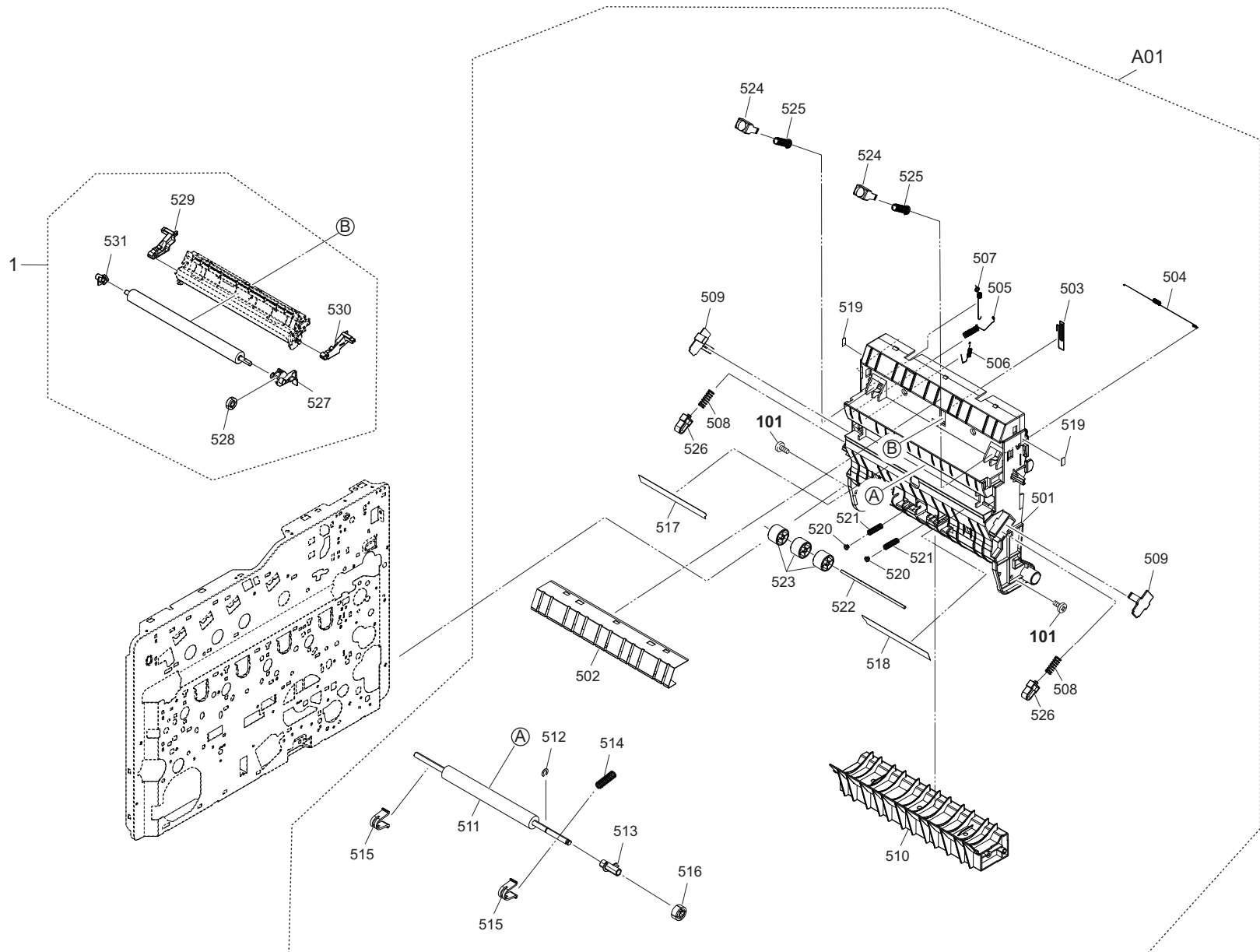


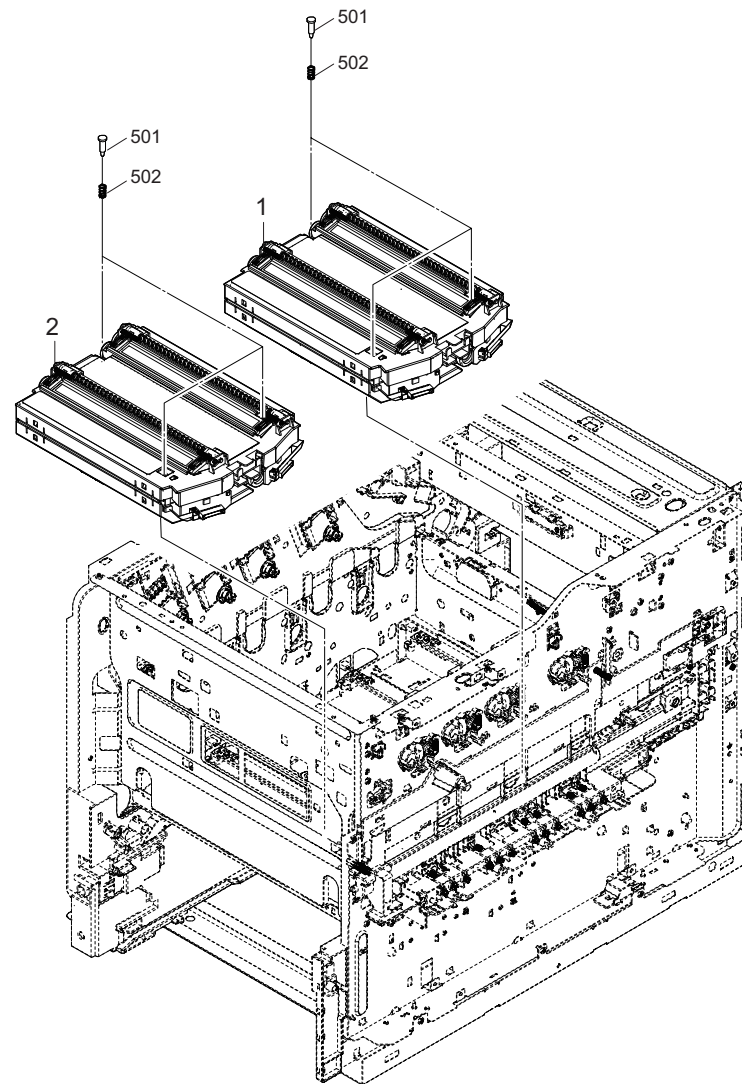
FIG. 6 Conveying Section 2

2NV/2NW/2PB/2PC-2

Ref. No. 番号	Part.No. 部品番号	Alternative. 代替部品番号	Description 部 品 名 称	Notes 備 考	Revision 改 訂	Quantity 個数			
						100(日本)	120	230	240
A01 1	302NR94190	2NR94190	PARTS CONVEYING 250 ASSY SP			1	1	1	1
	302NR94330	2NR94330	PARTS ROLLER TRANSFER ASSY SP		2:Part No-chg	1	1	1	1
101	7BB200308H	BB105660	+BIND T.T P SCREW 3X8						

• Parts with a Ref.No. of 500 and above in the illustration indicate they are not selected for service parts.

・イラスト中で 500 番台の Ref 番号が付いている部品はサービスパーツに選定されていません。



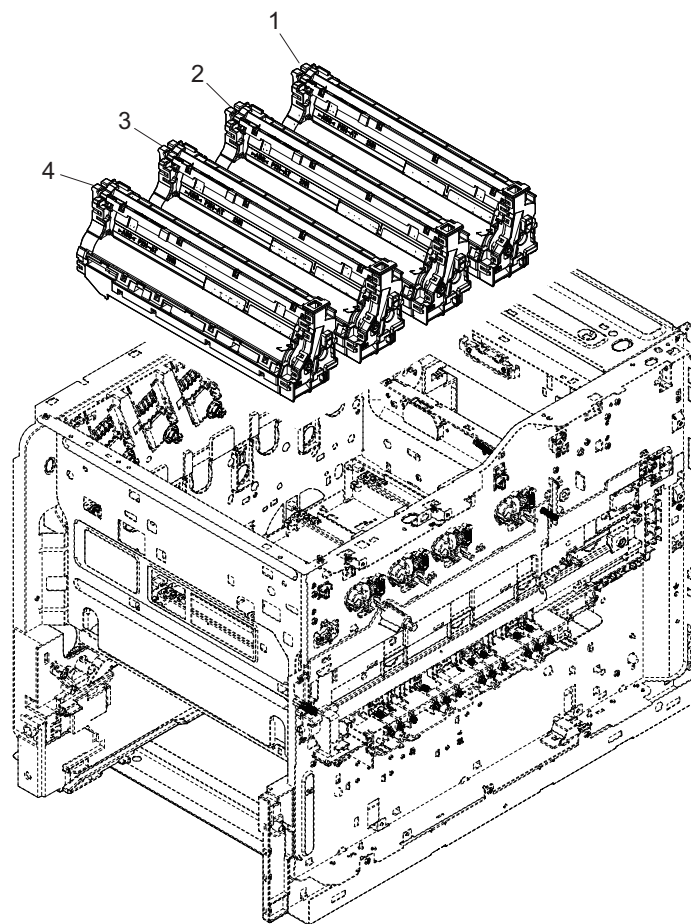


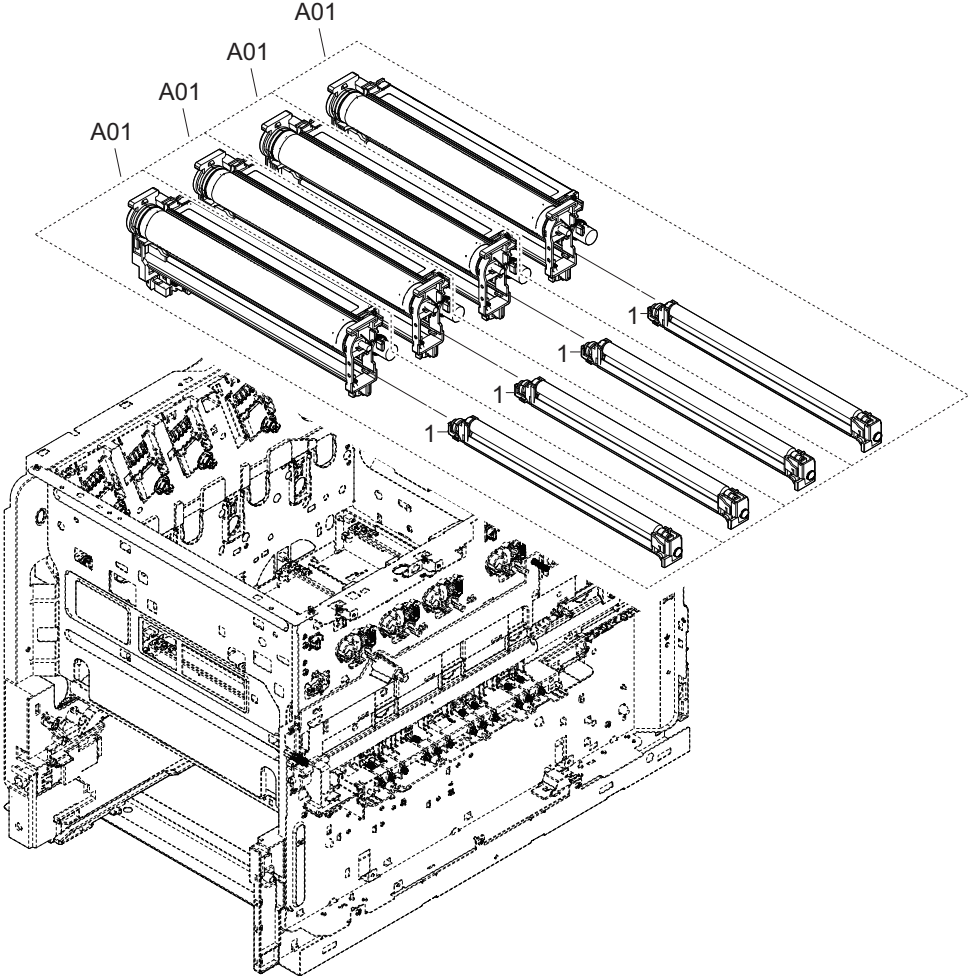
FIG. 8 Developer Section

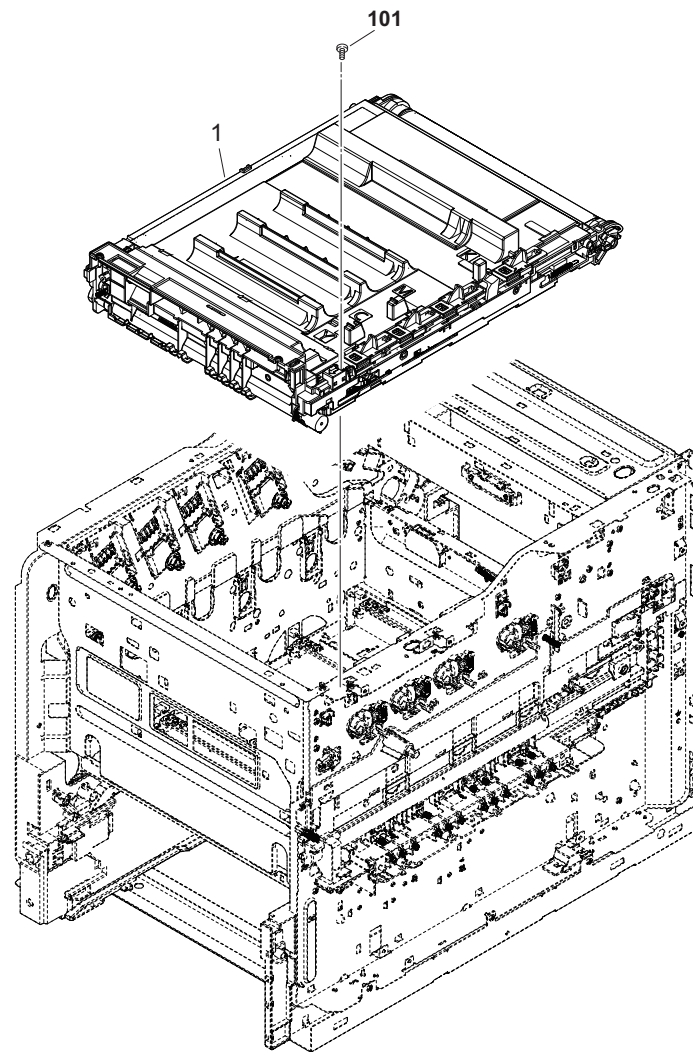
2NV/2NW/2PB/2PC-2

Ref. No. 番号	Part.No. 部品番号	Alternative. 代替部品番号	Description 部品名称	Notes 備考	Revision 改訂	Quantity 個数			
						100 (日本)	120	230	240
1	302NR9J021	2NR9J021	DV-5140(K)(J)	30ppm(A4),32ppm(Letter)/30ppm(A4),32ppm(Letter)(F)	2:Add	1			
1	302NR93021	2NR93021	DV-5140(K)	30ppm(A4),32ppm(Letter)/30ppm(A4),32ppm(Letter)(F)	2:Design-chg. , Others		1	1	1
1	302NS9J012	2NS9J012	DV-5150(K)(J)	35ppm(A4),37ppm(Letter)/35ppm(A4),37ppm(Letter)(F)	2:Add	1			
1	302NS93012	2NS93012	DV-5150(K)	35ppm(A4),37ppm(Letter)/35ppm(A4),37ppm(Letter)(F)	2:Design-chg. , Others		1	1	1
2	302NR9J041	2NR9J041	DV-5140(M)(J)	30ppm(A4),32ppm(Letter)/30ppm(A4),32ppm(Letter)(F)	2:Add	1			
2	302NR93041	2NR93041	DV-5140(M)	30ppm(A4),32ppm(Letter)/30ppm(A4),32ppm(Letter)(F)	2:Design-chg. , Others		1	1	1
2	302NS9J032	2NS9J032	DV-5150(M)(J)	35ppm(A4),37ppm(Letter)/35ppm(A4),37ppm(Letter)(F)	2:Add	1			
2	302NS93032	2NS93032	DV-5150(M)	35ppm(A4),37ppm(Letter)/35ppm(A4),37ppm(Letter)(F)	2:Design-chg. , Others		1	1	1
3	302NR9J051	2NR9J051	DV-5140(C)(J)	30ppm(A4),32ppm(Letter)/30ppm(A4),32ppm(Letter)(F)	2:Add	1			
3	302NR93051	2NR93051	DV-5140(C)	30ppm(A4),32ppm(Letter)/30ppm(A4),32ppm(Letter)(F)	2:Design-chg. , Others		1	1	1
3	302NS9J042	2NS9J042	DV-5150(C)(J)	35ppm(A4),37ppm(Letter)/35ppm(A4),37ppm(Letter)(F)	2:Add	1			
3	302NS93042	2NS93042	DV-5150(C)	35ppm(A4),37ppm(Letter)/35ppm(A4),37ppm(Letter)(F)	2:Design-chg. , Others		1	1	1
4	302NR9J031	2NR9J031	DV-5140(Y)(J)	30ppm(A4),32ppm(Letter)/30ppm(A4),32ppm(Letter)(F)	2:Add	1			
4	302NR93031	2NR93031	DV-5140(Y)	30ppm(A4),32ppm(Letter)/30ppm(A4),32ppm(Letter)(F)	2:Design-chg. , Others		1	1	1
4	302NS9J022	2NS9J022	DV-5150(Y)(J)	35ppm(A4),37ppm(Letter)/35ppm(A4),37ppm(Letter)(F)	2:Add	1			
4	302NS93022	2NS93022	DV-5150(Y)	35ppm(A4),37ppm(Letter)/35ppm(A4),37ppm(Letter)(F)	2:Design-chg. , Others		1	1	1

• Parts with a Ref.No. of 500 and above in the illustration indicate they are not selected for service parts.

• イラスト中で 500 番台の Ref 番号が付いている部品はサービスパーツに選定されていません。





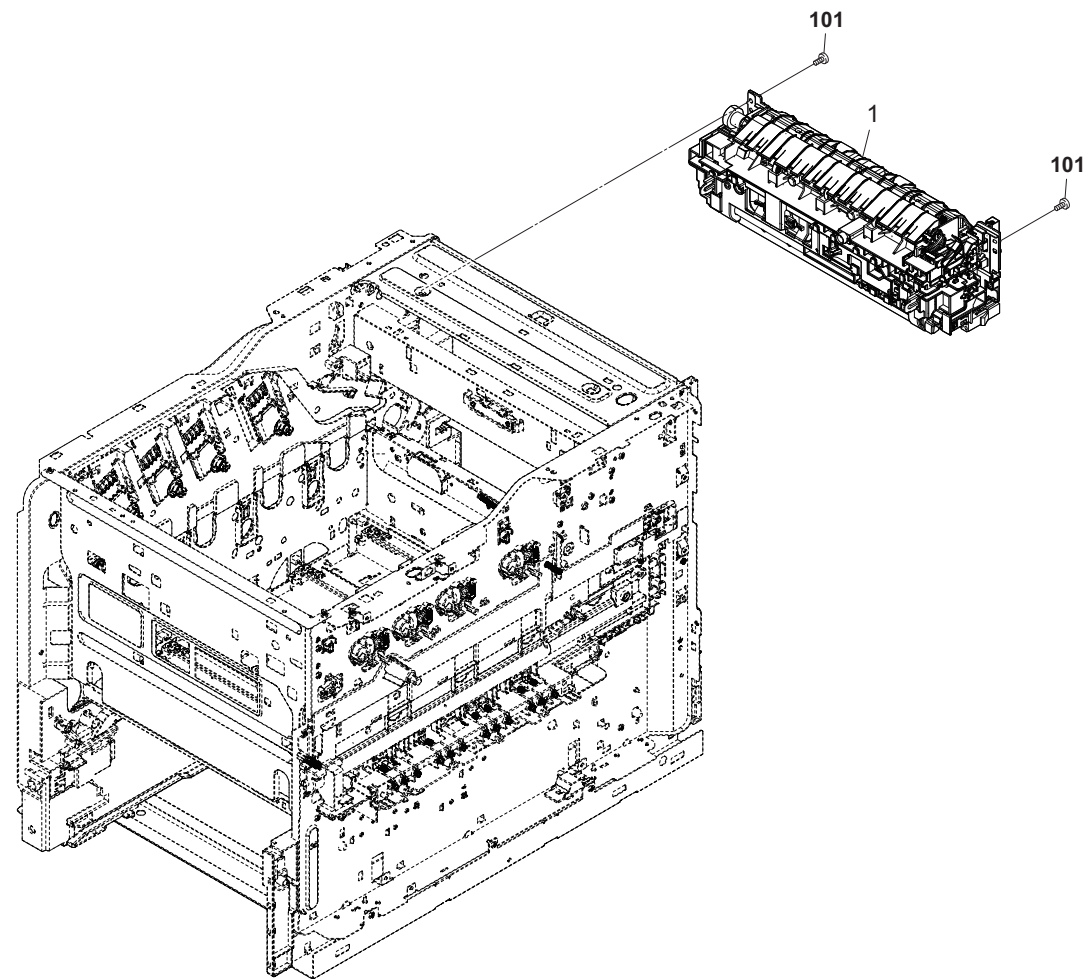


FIG. 11 Fuser Section

2NV/2NW/2PB/2PC-2

Ref. No. 番号	Part.No. 部品番号	Alternative. 代替部品番号	Description 部品名称	Notes 備考	Revision 改訂	Quantity 個数			
						100(日本)	120	230	240
1	302NR93091	2NR93091	FK-5140	30ppm(A4),32ppm(Letter)/30ppm(A4),32ppm(Letter)(F)	2:Design-chg.			1	1
1	302NR93111	2NR93111	FK-5142	30ppm(A4),32ppm(Letter)/30ppm(A4),32ppm(Letter)(F)	2:Design-chg.		1		
1	302NR93101	2NR93101	FK-5141	30ppm(A4),32ppm(Letter)(F)	2:Design-chg.	1			
1	302PB93012	2PB93012	FK-5150	35ppm(A4),37ppm(Letter)/35ppm(A4),37ppm(Letter)(F)	2:Design-chg.			1	1
1	302PB93032	2PB93032	FK-5152	35ppm(A4),37ppm(Letter)/35ppm(A4),37ppm(Letter)(F)	2:Design-chg.		1		
1	302PB93022	2PB93022	FK-5151	35ppm(A4),37ppm(Letter)(F)	2:Design-chg.	1			
101	7BB700308H	BB105600	+BIND T.T S SCREW 3X8 SR						

• Parts with a Ref.No. of 500 and above in the illustration indicate they are not selected for service parts.

• イラスト中で 500 番台の Ref 番号が付いている部品はサービスパーツに選定されていません。

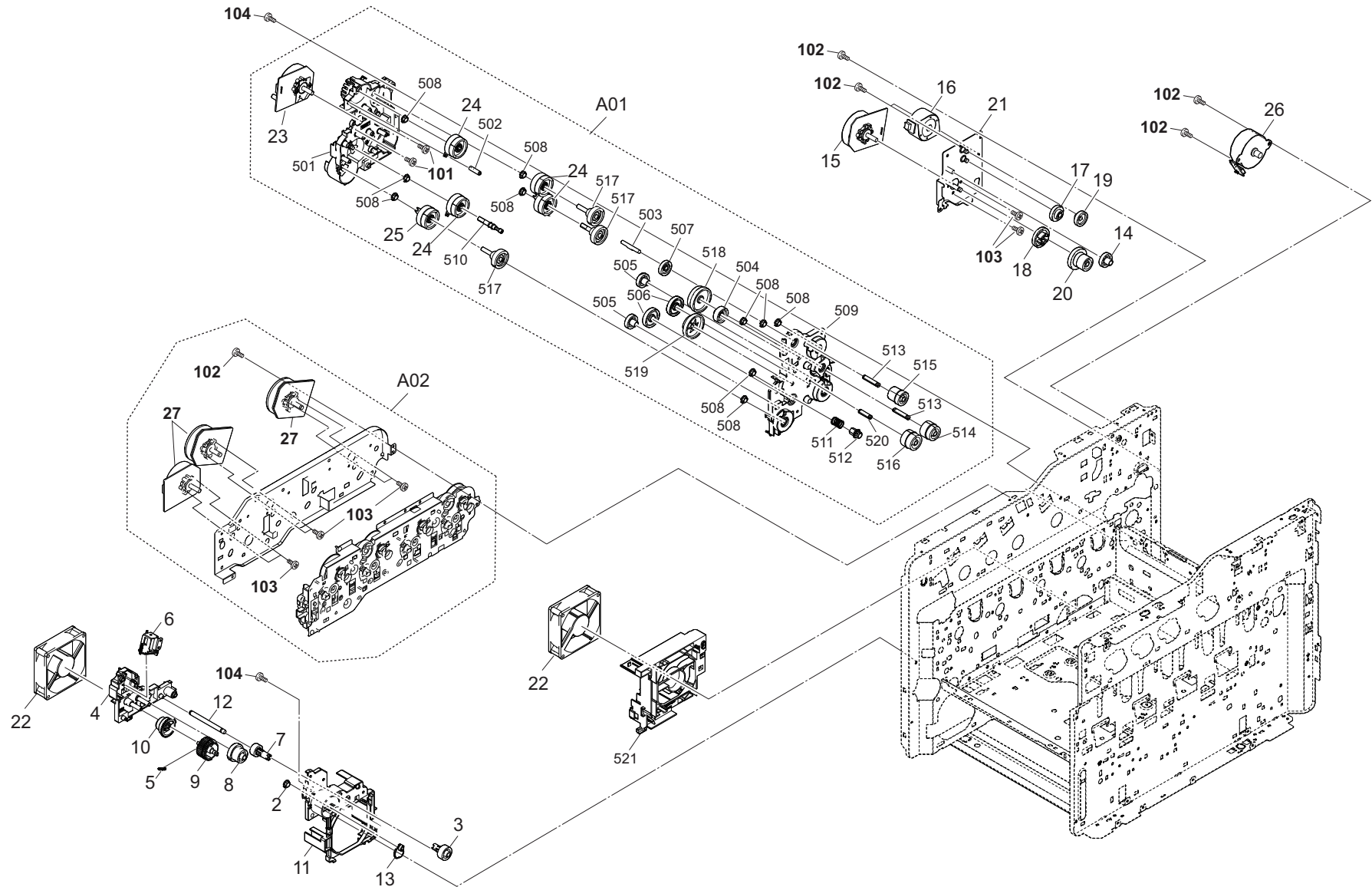


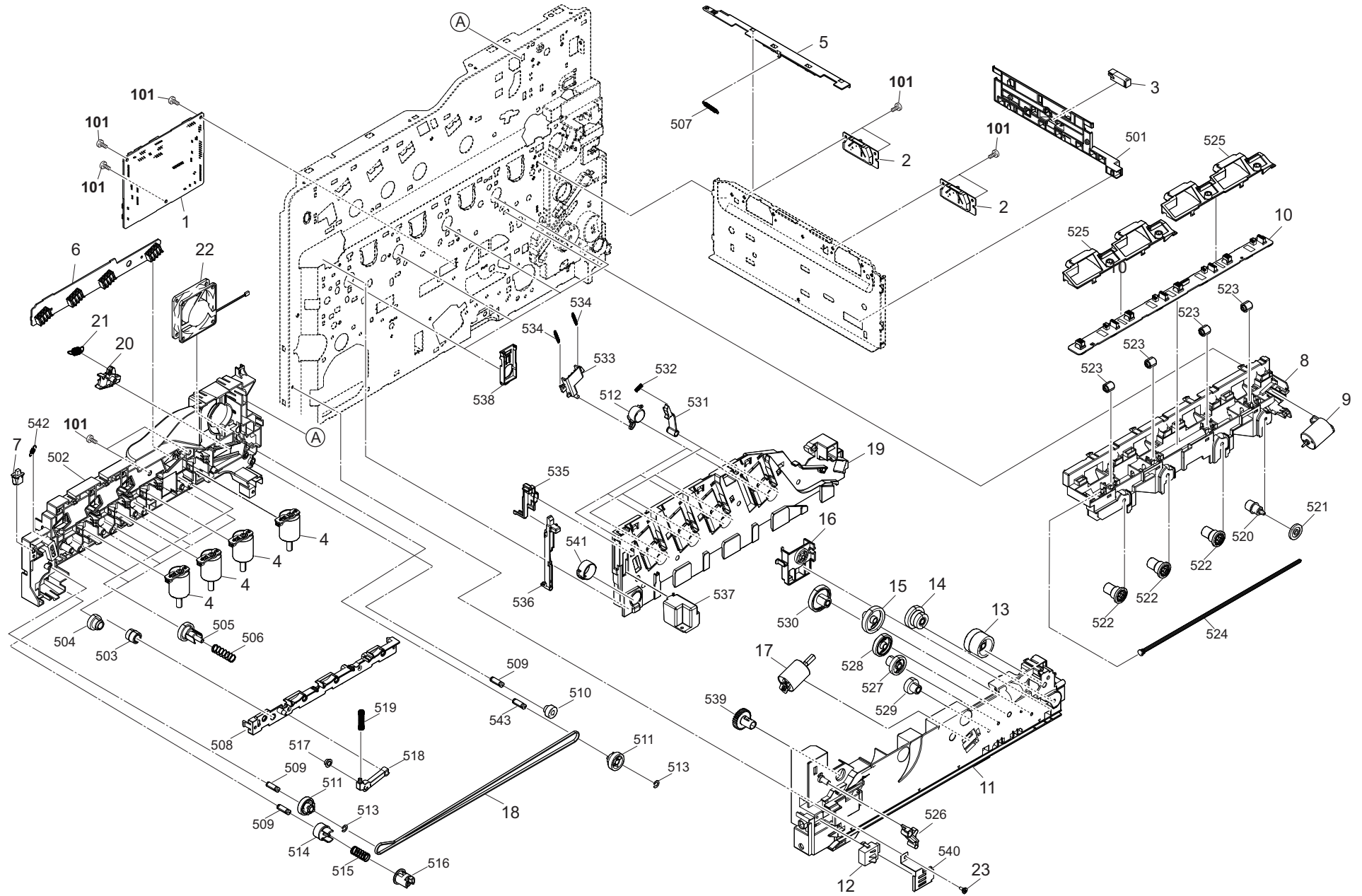
FIG. 12 Drive Section

2NV/2NW/2PB/2PC-3

Ref. No. 番号	Part.No. 部品番号	Alternative. 代替部品番号	Description 部品名称	Notes 備考	Revision 改訂	Quantity 個数			
						100(日本)	120	230	240
A02	302NR93130	2NR93130	DR-5140	30ppm(A4),32ppm(Letter)/ 30ppm(A4),32ppm(Letter)(F)	3:Others	1	1	1	1
A02	302NT93120	2NT93120	DR-5150	35ppm(A4),37ppm(Letter)/ 35ppm(A4),37ppm(Letter)(F)	3:Others	1	1	1	1
27	*302K994323	2K994323	PARTS MOTOR-BL W20 SP		3: Add	3	3	3	3
2	302KV31410	2KV31410	BUSH DRIVE			1	1	1	1
3	302KV31440	2KV31440	GEAR Z23L			1	1	1	1
4	302NR31150	2NR31150	HOUSING MPF DRIVE A			1	1	1	1
5	302HN31650	2HN31650	SPRING INPUT MPF			1	1	1	1
6	302GR44150	2GR44150	SOLENOID TONER			1	1	1	1
7	302NR31810	2NR31810	GEAR Z14L MPF			1	1	1	1
8	302NR31180	2NR31180	GEAR Z31R-Z24S			1	1	1	1
9	302NR31190	2NR31190	GEAR INPUT A Z36S			1	1	1	1
10	302NR31200	2NR31200	GEAR INPUT B Z36S			1	1	1	1
11	302NR31161	2NR31161	HOUSING MPF DRIVE B		2:Design-chg.	1	1	1	1
12	302NR31210	2NR31210	PIN DRIVE MPF A			1	1	1	1
13	302NR31630	2NR31630	CAM MPF			1	1	1	1
14	302NR31060	2NR31060	GEAR Z24L			1	1	1	1
15	302K994323	2K994323	PARTS MOTOR-BL W20 SP		1:Design-chg.	1	1	1	1
16	303NB94040	3NB94040	PARTS MOTOR-PM MOVING SP			1	1	1	1
17	302NR31250	2NR31250	GEAR Z44R-Z16S			1	1	1	1
18	302NR31230	2NR31230	GEAR Z35R			1	1	1	1
19	302NR31260	2NR31260	GEAR Z26S			1	1	1	1
20	302NR31240	2NR31240	GEAR Z63R-Z24R			1	1	1	1
21	302NR31220	2NR31220	PLATE MIDDLE DRIVE			1	1	1	1
22	302NG94220	2NG94220	PARTS FAN MOTOR SP			2	2	2	2
A01	302NR94260	2NR94260	PARTS FEED DRIVE ASSY SP			1	1	1	1
23	*302LC94292	2LC94292	PARTS MOTOR-BL W10 SP		2:Design-chg.	1	1	1	1
24	*302NR94010	2NR94010	PARTS CLUTCH 35 Z35R SP			4	4	4	4
25	*302KV44041	2KV44041	CLUTCH 50 Z35R			1	1	1	1
26	302P794060	2P794060	PARTS MOTOR EJECT SP			1	1	1	1
101	7BB060305H1	BB107010	+BIND M SCREW 3X5(BLUE)						
102	7BB700308H	BB105600	+BIND T.T S SCREW 3X8 SR						
103	7BB000304H	BB105720	+BIND M SCREW 3X4						
104	7BB100312H	BB046020	+BIND T.T S SCREW 3X12						

• Parts with a Ref.No. of 500 and above in the illustration indicate they are not selected for service parts.

• イラスト中で 500 番台の Ref 番号が付いている部品はサービスパーツに選定されていません。



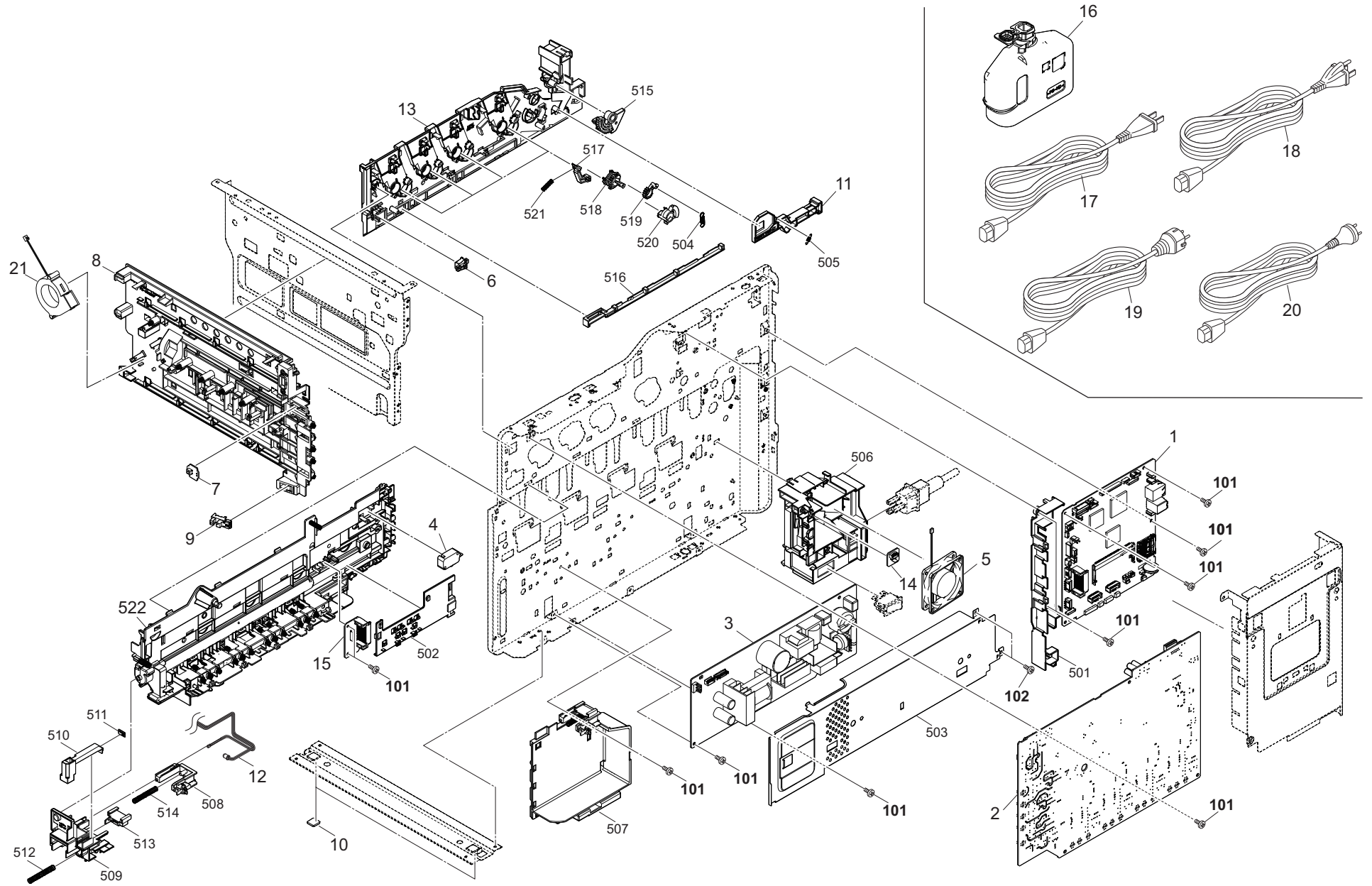


FIG. 14 Electrical Components 2

2NV/2NW/2PB/2PC-1

Ref. No. 番号	Part.No. 部品番号	Alternative. 代替部品番号	Description 部品名称	Notes 備考	Revision 改訂	Quantity 個数			
						100 (日本)	120	230	240
1	302NV94040	2NV94040	PARTS PWB ASSY MAIN SP	30ppm(A4),32ppm(Letter)			1		1
1	302NV94050	2NV94050	PARTS PWB ASSY MAIN EU SP	30ppm(A4),32ppm(Letter)				1	
1	302NW94030	2NW94030	PARTS PWB ASSY MAIN SP	30ppm(A4),32ppm(Letter)(F)			1		1
1	302NW94040	2NW94040	PARTS PWB ASSY MAIN EU SP	30ppm(A4),32ppm(Letter)(F)				1	
1	302NW94060	2NW94060	PARTS PWB ASSY MAIN JP SP	30ppm(A4),32ppm(Letter)(F)		1			
1	302PB94010	2PB94010	PARTS PWB ASSY MAIN SP	35ppm(A4),37ppm(Letter)			1		
1	302PB94020	2PB94020	PSRTA PWB ASSY MAIN EU SP	35ppm(A4),37ppm(Letter)				1	
1	302PC94030	2PC94030	PARTS PWB ASSY MAIN SP	35ppm(A4),37ppm(Letter)(F)			1		1
1	302PC94040	2PC94040	PARTS PWB ASSY MAIN EU SP	35ppm(A4),37ppm(Letter)(F)				1	
1	302PC94050	2PC94050	PARTS PWB ASSY MAIN JP SP	35ppm(A4),37ppm(Letter)(F)		1			
2	302NR94030	2NR94030	PARTS HIGH VOLTAGE UNIT SP			1	1	1	1
3	302NR94050	2NR94050	PARTS SWITCHING REGULATOR 230V SP	30ppm(A4),32ppm(Letter)/30ppm(A4),32ppm(Letter)(F)				1	1
3	302NS94020	2NS94020	PARTS SWITCHING REGULATOR 230V SP	35ppm(A4),37ppm(Letter)/35ppm(A4),37ppm(Letter)(F)				1	1
3	302NR94040	2NR94040	PARTS SWITCHING REGULATOR 100V SP	30ppm(A4),32ppm(Letter)/30ppm(A4),32ppm(Letter)(F)		1	1		
3	302NS94010	2NS94010	PARTS SWITCHING REGULATOR 100V SP	35ppm(A4),37ppm(Letter)/35ppm(A4),37ppm(Letter)(F)		1	1		
4	7SM010104+++H01	SM055200	SW.MICRO			1	1	1	1
5	302FZ94420	2FZ94420	PARTS,FAN COOLING CONVEYING SP			1	1	1	1
6	7SP01000004+H01	SP136500	SW.PUSH			1	1	1	1
7	302NR94160	2NR94160	PARTS PWB ASSY SWITCH SP			1	1	1	1
8	302NR39011	2NR39011	BRACKET FRONT HV		1:Design-chg.	1	1	1	1
9	302P794010	2P794010	PARTS SENSOR OPT. SP			1	1	1	1
10	302HNO2611	2HNO2611	FOOT			2	2	2	2
11	302NR02140	2NR02140	LEVER INTERLOCK			1	1	1	1
12	302NR94070	2NR94070	PARTS TONER FULL DETECT ASSY SP			1	1	1	1
13	302NR02180	2NR02180	GUIDE TOP RIGHT			1	1	1	1
14	302M294130	2M294130	PARTS PWB ASSY THERMISTOR SP			1	1	1	1
15	302NW94020	2NW94020	PARTS PWB ASSY EKIUIO CONNECT SP	30ppm(A4),32ppm(Letter)(F)/35ppm(A4),37ppm(Letter)(F)		1	1	1	1
16	302NR93150	2NR93150	WT-5140			1	1	1	1
17	7AAACCJP+15H007	AA150200	AC CORD ASSY JP	30ppm(A4),32ppm(Letter)(F)/35ppm(A4),37ppm(Letter)(F)	1:Part No-chg.	1			
18	3019527401	19527401	POWER CORD(120)				1		
19	302FV94010	2FV94010	PARTS AC CORD EU SP					1	
20	302FV45040	2FV45040	AC CORD ASSY						1
21	302HN44210	2HN44210	FAN MOTOR		1:Add	1	1	1	1
101	7BB700308H	BB105600	+BIND T.T S SCREW 3X8 SR						
102	7BB200308H	BB105660	+BIND T.T P SCREW 3X8						

• Parts with a Ref.No. of 500 and above in the illustration indicate they are not selected for service parts.

• イラスト中で 500 番の Ref 番号が付いている部品はサービスパーツに選定されていません。

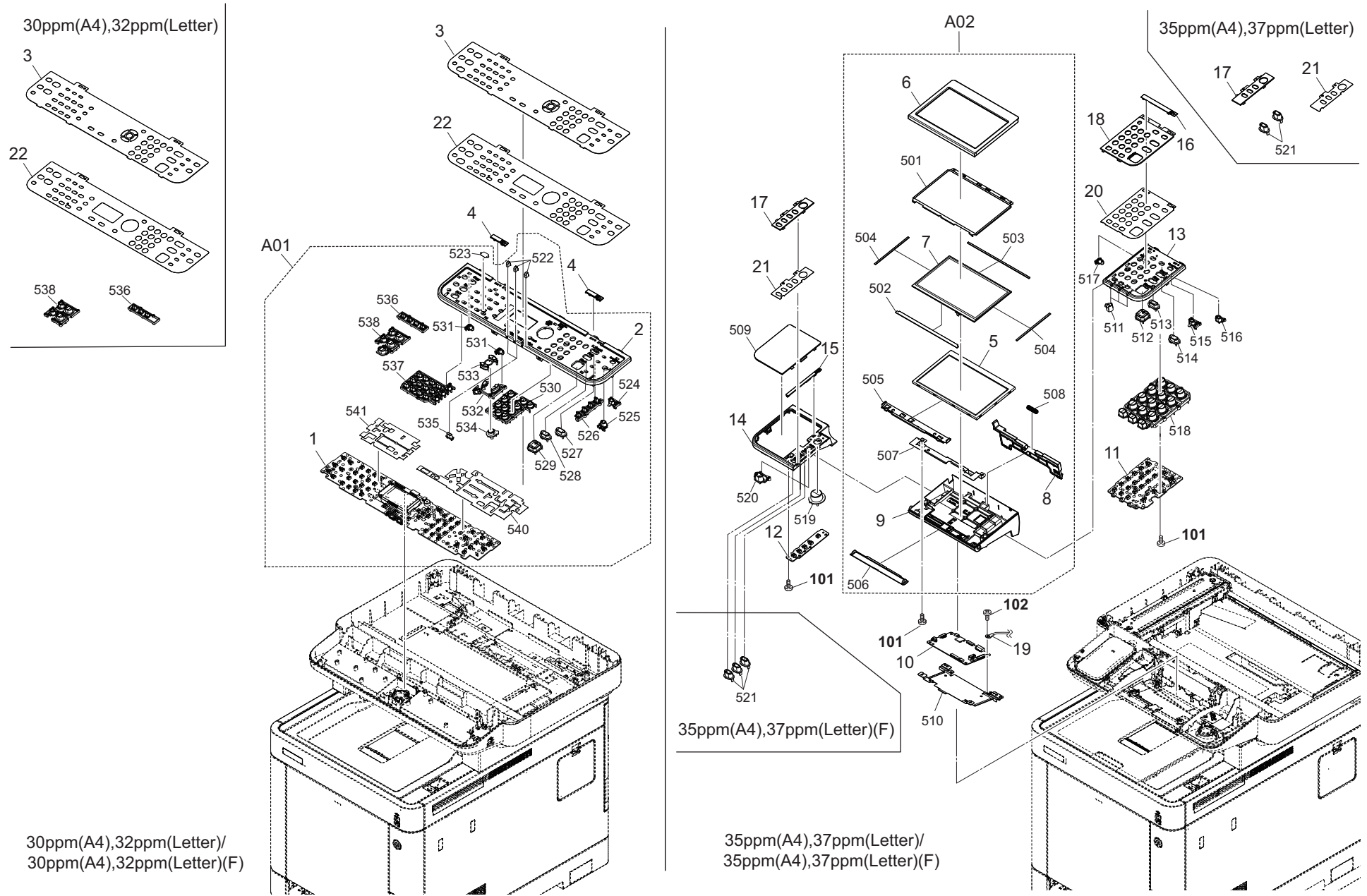


FIG. 15 Operation Section

2NV/2NW/2PB/2PC-3

Ref. No. 番号	Part.No. 部品番号	Alternative. 代替部品番号	Description 部 品 名 称	Notes 備 考	Revision 改 訂	Quantity 個数			
						100 (日本)	120	230	240
A01	302NV94080	2NV94080	PARTS PANEL UNIT B SP	30ppm(A4),32ppm(Letter)			1	1	1
A01	302NW94050	2NW94050	PARTS PANEL UNIT B SP	30ppm(A4),32ppm(Letter)(F)		1	1	1	1
1	*302NV94030	2NV94030	PARTS PWB ASSY B PANEL MAIN SP	30ppm(A4),32ppm(Letter)			1	1	1
1	*302NW94010	2NW94010	PARTS PWB ASSY B PANEL MAIN SP	30ppm(A4),32ppm(Letter)(F)		1	1	1	1
2	*3V2NZ05010	2NZ05010	COVER OPERATION	30ppm(A4),32ppm(Letter)/30ppm(A4),32ppm(Letter)(F)		1	1	1	1
3	302NV05010	2NV05010	PANEL OPERATION	30ppm(A4),32ppm(Letter)			1	1	1
3	302NW05010	2NW05010	PANEL OPERATION	30ppm(A4),32ppm(Letter)(F)		1	1	1	1
4	3V2NZ05180	2NZ05180	LID OPERATION SHEET	30ppm(A4),32ppm(Letter) 30ppm(A4),32ppm(Letter)(F)		2	2	2	2
A02	302PB94030	2PB94030	PARTS LCD UNIT H SP	35ppm(A4),37ppm(Letter) 35ppm(A4),37ppm(Letter)(F)		1	1	1	1
5	*302NM94110	2NM94110	PARTS LCD OPERATION SP	35ppm(A4),37ppm(Letter) 35ppm(A4),37ppm(Letter)(F)		1	1	1	1
6	*3V2PB05010	2PB05010	COVER LCD UPPER	35ppm(A4),37ppm(Letter) 35ppm(A4),37ppm(Letter)(F)		1	1	1	1
7	*302NM94121	2NM94121	PARTS TABLET OPERATION SP	35ppm(A4),37ppm(Letter) /35ppm(A4),37ppm(Letter)(F)		1	1	1	1
8	*3V2NM05220	2NM05220	LEVER LCD	35ppm(A4),37ppm(Letter) /35ppm(A4),37ppm(Letter)(F)		1	1	1	1
9	*3V2NM05040	2NM05040	COVER LCD LOWER	35ppm(A4),37ppm(Letter) 35ppm(A4),37ppm(Letter)(F)		1	1	1	1
10	302PC94010	2PC94010	PARTS PWB ASSY H PANEL MAIN SP	35ppm(A4),37ppm(Letter) 35ppm(A4),37ppm(Letter)(F)			1	1	1
10	302PC94080	2PC94080	PARTS PWB ASSY H PANEL MAIN JP SP	35ppm(A4),37ppm(Letter)(F)		1			
11	302PC94020	2PC94020	PARTS PWB ASSY H PANEL KEY-R SP	35ppm(A4),37ppm(Letter) 35ppm(A4),37ppm(Letter)(F)		1	1	1	1
12	302NM94100	2NM94100	PARTS PWB ASSY H PANEL KEY-L SP	35ppm(A4),37ppm(Letter) 35ppm(A4),37ppm(Letter)(F)		1	1	1	1
13	3V2NM05010	2NM05010	COVER OPERATION RIGHT	35ppm(A4),37ppm(Letter) 35ppm(A4),37ppm(Letter)(F)		1	1	1	1
14	3V2NM05020	2NM05020	COVER OPERATION LEFT	35ppm(A4),37ppm(Letter) 35ppm(A4),37ppm(Letter)(F)		1	1	1	1
15	3V2NM05160	2NM05160	LID OPERATION LEFT	35ppm(A4),37ppm(Letter) 35ppm(A4),37ppm(Letter)(F)		1	1	1	1
16	3V2NM05170	2NM05170	LID OPERATION RIGHT	35ppm(A4),37ppm(Letter) 35ppm(A4),37ppm(Letter)(F)		1	1	1	1
17	3V2NY05030	2NY05030	COVER PANEL LEFT 3IN1	35ppm(A4),37ppm(Letter)			1	1	
17	3V2NM05060	2NM05060	COVER PANEL LEFT	35ppm(A4),37ppm(Letter)(F)		1	1	1	1
18	3V2NM05050	2NM05050	COVER PANEL RIGHT	35ppm(A4),37ppm(Letter) 35ppm(A4),37ppm(Letter)(F)		1	1	1	1
19	302PB46060	2PB46060	CONN.CORD ASSY S04088 H PANEL FG	35ppm(A4),37ppm(Letter) 35ppm(A4),37ppm(Letter)(F)		1	1	1	1
20	302NY05140	2NY05140	LABEL OPERATION RIGHT 3IN1 E	35ppm(A4),37ppm(Letter)	3: Part No.-chg.		1	1	
20	302NM05270	2NM05270	LABEL OPERATION RIGHT	35ppm(A4),37ppm(Letter)(F)	3: Part No.-chg.	1			
20	302NM05520	2NM05520	LABEL OPERATION RIGHT E	35ppm(A4),37ppm(Letter)(F)	3: Part No.-chg.		1	1	1
21	302NY05020	2NY05020	LABEL OPERATION LEFT 3IN1 E	35ppm(A4),37ppm(Letter)	3: Part No.-chg.		1	1	
21	302NM05280	2NM05280	LABEL OPERATION LEFT	35ppm(A4),37ppm(Letter)(F)	3: Part No.-chg.	1			
21	302NM05590	2NM05590	LABEL OPERATION LEFT E	35ppm(A4),37ppm(Letter)(F)	3: Part No.-chg.		1	1	1
22	302NV05030	2NV05030	SHEET OPE ENG	30ppm(A4),32ppm(Letter)			1	1	1
22	302NW05020	2NW05020	SHEET OPE	30ppm(A4),32ppm(Letter)(F)		1			
22	302NW05030	2NW05030	SHEET OPE ENG	30ppm(A4),32ppm(Letter)(F)			1	1	1

• Parts with a Ref.No. of 500 and above in the illustration indicate they are not selected for service parts.

• イラスト中で 500 番台の Ref 番号が付いている部品はサービスパーツに選定されていません。

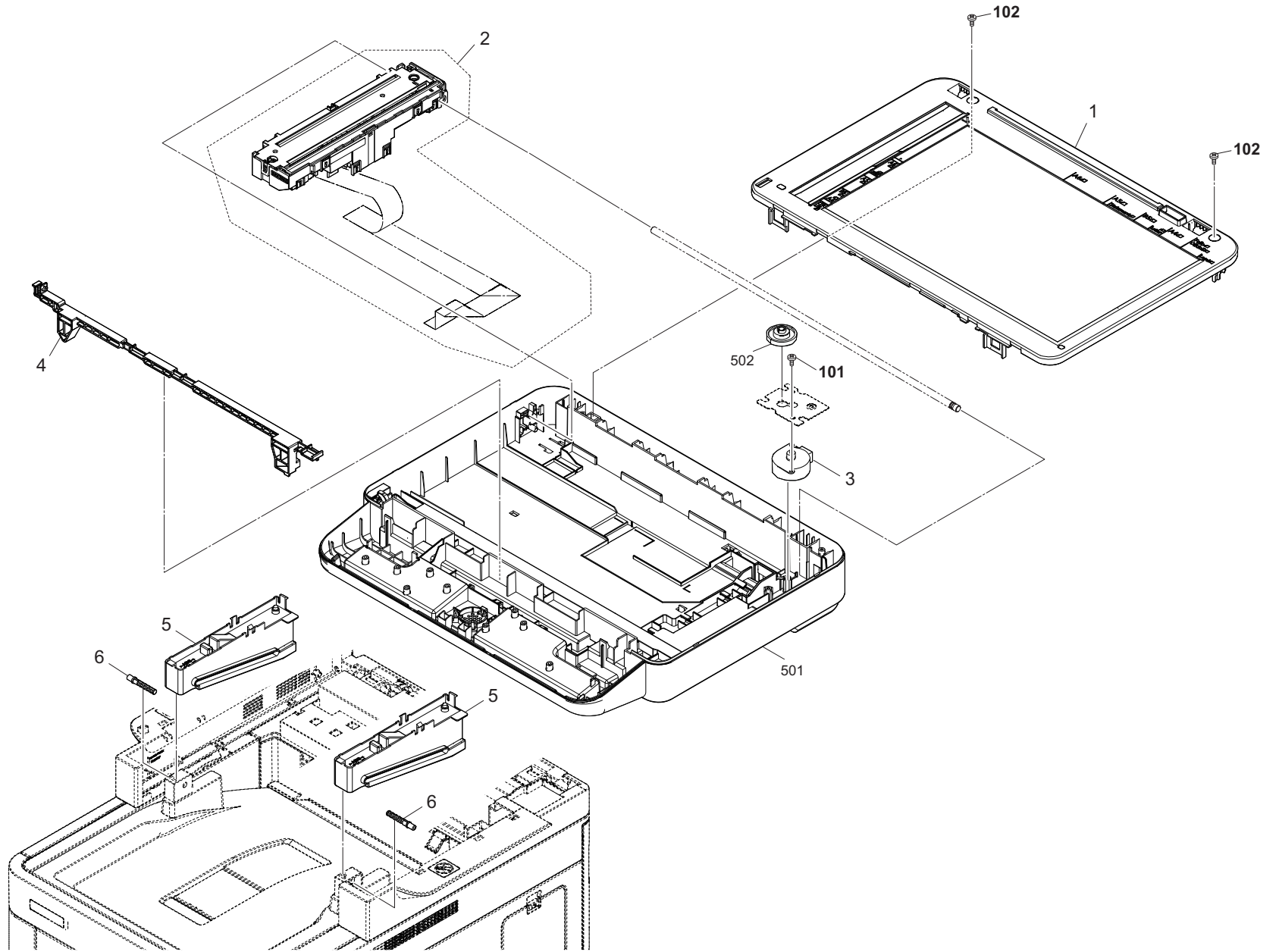


FIG. 16 Scanner Section

2NV/2NW/2PB/2PC-2

Ref. No. 番号	Part.No. 部品番号	Alternative. 代替部品番号	Description 部品名称	Notes 備考	Revision 改訂	Quantity 個数			
						100(日本)	120	230	240
1	302NV94061	2NV94061	PARTS FRAME ISU TOP ASSY SP		2:Design-chg.	1	1	1	1
2	302NV93020	2NV93020	PARTS ISU ASSY SP			1	1	1	1
3	302LW94060	2LW94060	PARTS MOTOR ISU SP			1	1	1	1
4	302NV17030	2NV17030	HOOK ISU			1	1	1	1
5	302NV17090	2NV17090	RAIL LID TOP			2	2	2	2
6	302KW04090	2KW04090	PIN LID TOP			2	2	2	2
101	7BB600306H	BB105730	+BIND M SCREW 3X6 R						
102	7BB200308H	BB105660	+BIND T.T P SCREW 3X8						

• Parts with a Ref.No. of 500 and above in the illustration indicate they are not selected for service parts.

・イラスト中で 500 番台の Ref 番号が付いている部品はサービスパーツに選定されていません。

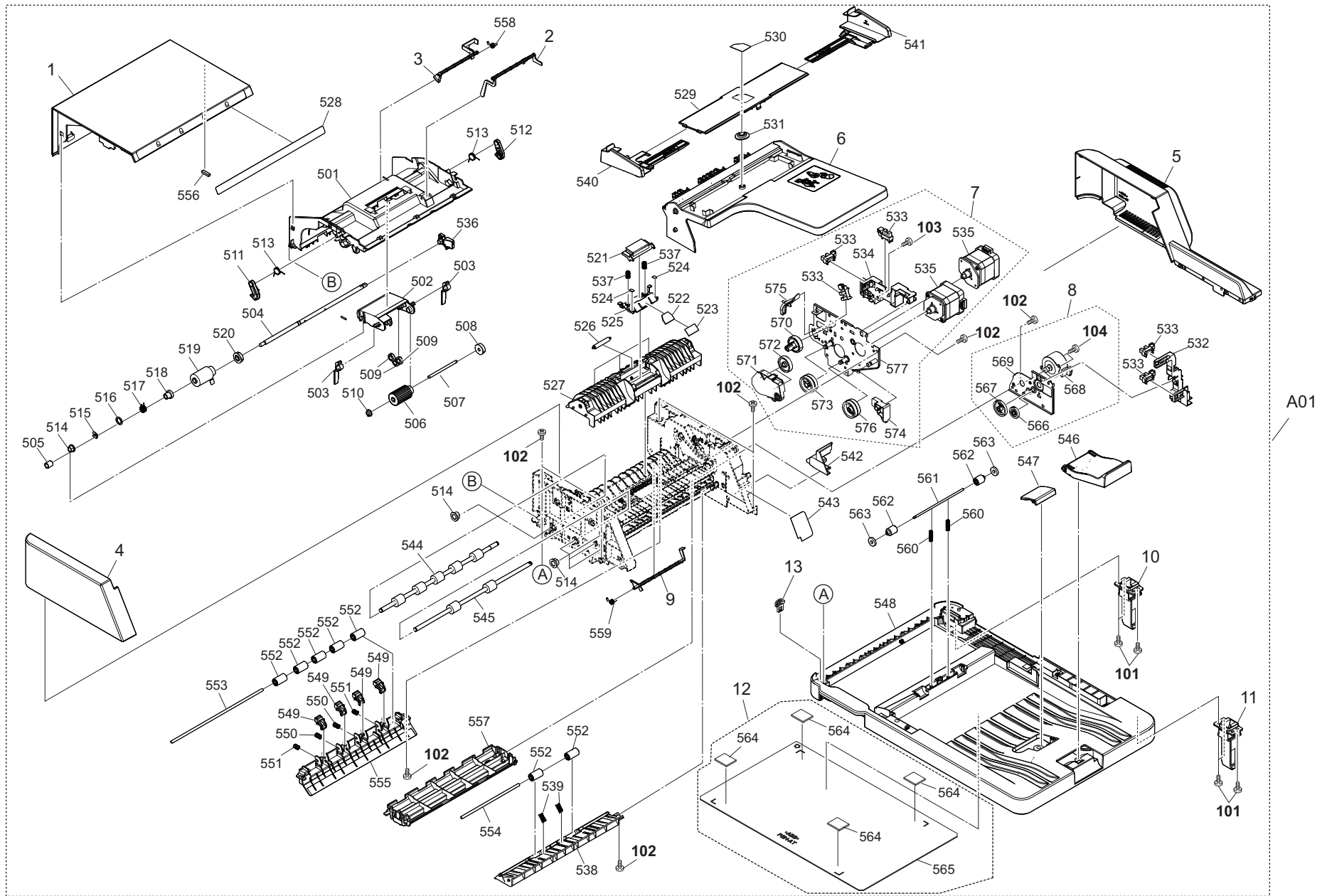


FIG. 17 Document Processor

2NV/2NW/2PB/2PC-2

Ref. No. 番号	Part.No. 部品番号	Alternative. 代替部品番号	Description 部品名称	Notes 備考	Revision 改訂	Quantity 個数			
						100(日本)	120	230	240
A01	302NV93032	2NV93032	PARTS DP ASSY SP		2:Design-chg.	1	1	1	1
1	*3V2NM18430	2NM18430	COVER PF			1	1	1	1
2	*3V2NM18750	2NM18750	ACTUATOR ORIGINAL			1	1	1	1
3	*3V2NM18790	2NM18790	ACTUATOR PF			1	1	1	1
4	*3V2NV18030	2NV18030	COVER FRONT			1	1	1	1
5	*3V2NM18420	2NM18420	COVER REAR			1	1	1	1
6	*302NM94150	2NM94150	PARTS TABLE MAIN ASSY SP			1	1	1	1
7	*302NM94231	2NM94231	PARTS DRIVE ASSY A SP		2:Design-chg.	1	1	1	1
8	*302NM94240	2NM94240	PARTS DRIVE ASSY B SP			1	1	1	1
9	*3V2NM18260	2NM18260	ACTUATOR TIMING			1	1	1	1
10	*302NM18021	2NM18021	HINGE LEFT		2:Design-chg.	1	1	1	1
11	*302NM18031	2NM18031	HINGE RIGHT		2:Design-chg.	1	1	1	1
12	*303LJ94070	3LJ94070	PARTS PLATE ORIGINAL SP			1	1	1	1
13	*302NV18010	2NV18010	LOCK ISU C		2:Add	1	1	1	1
101	7BB202310H	BB063420	+TP-FLAT T.T P SCREW 3X10						
102	7BB200308H	BB105660	+BIND T.T P SCREW 3X8						
103	7BB700308H	BB105600	+BIND T.T S SCREW 3X8 SR						
104	7BB700306H	BB105590	+BIND T.T S SCREW 3X6 SR						

• Parts with a Ref.No. of 500 and above in the illustration indicate they are not selected for service parts.

• イラスト中で 500 番台の Ref 番号が付いている部品はサービスパーツに選定されていません。

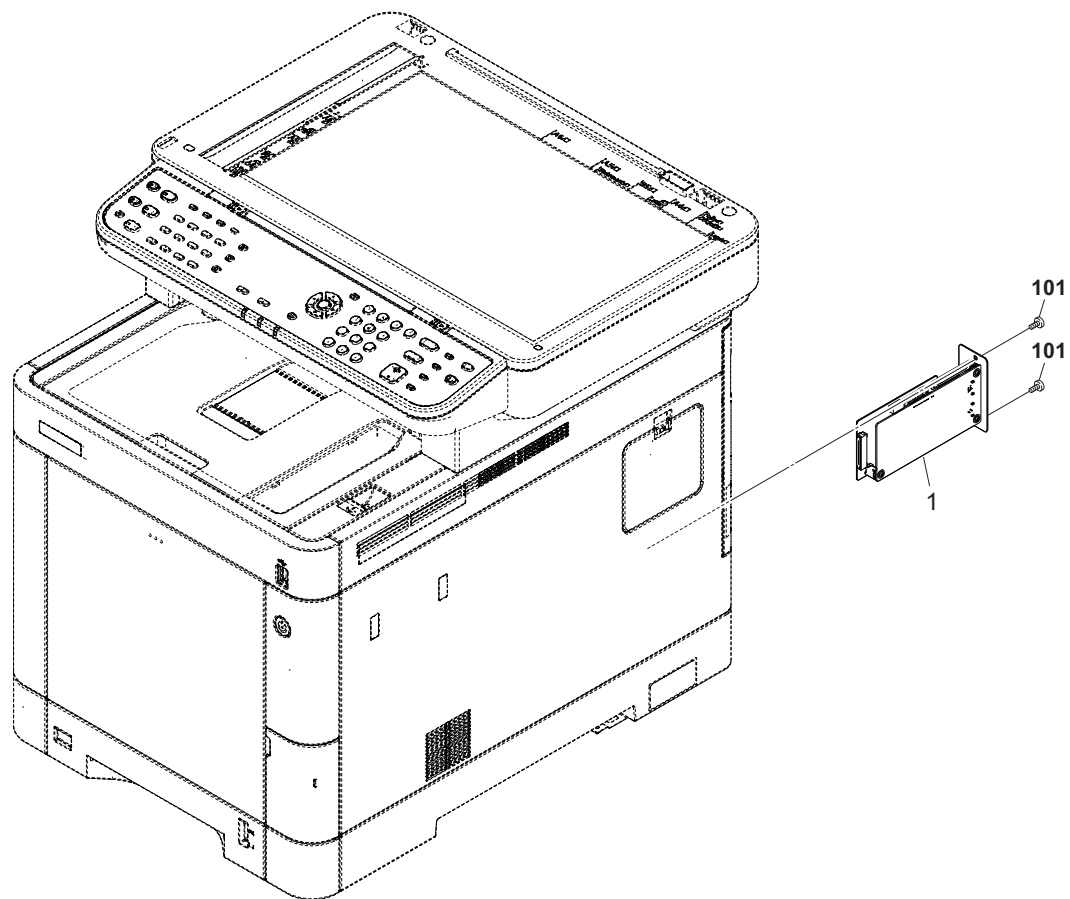


FIG. 18 FAX Section

2NV/2NW/2PB/2PC-2

Ref. No. 番号	Part.No. 部品番号	Alternative. 代替部品番号	Description 部品名称	Notes 備考	Revision 改訂	Quantity 個数			
						100(日本)	120	230	240
1	302PL94021	2PL94021	PARTS FAX UNIT E SP	30ppm(A4),32ppm(Letter)(F)/35ppm(A4),37ppm(Letter)(F)	2:Design-chg.			1	
1	302PL94050	2PL94050	PARTS FAX UNIT AS SP	30ppm(A4),32ppm(Letter)(F)/35ppm(A4),37ppm(Letter)(F)					1
1	302PL94040	2PL94040	PARTS FAX UNIT U SP	30ppm(A4),32ppm(Letter)(F)/35ppm(A4),37ppm(Letter)(F)			1		
1	302PL94030	2PL94030	PARTS FAX UNIT J SP	30ppm(A4),32ppm(Letter)(F)/35ppm(A4),37ppm(Letter)(F)		1			
101	7BB700308H	BB105600	+BIND T.T S SCREW 3X8 SR						

• Parts with a Ref.No. of 500 and above in the illustration indicate they are not selected for service parts.

• イラスト中で 500 番台の Ref 番号が付いている部品はサービスパーツに選定されていません。

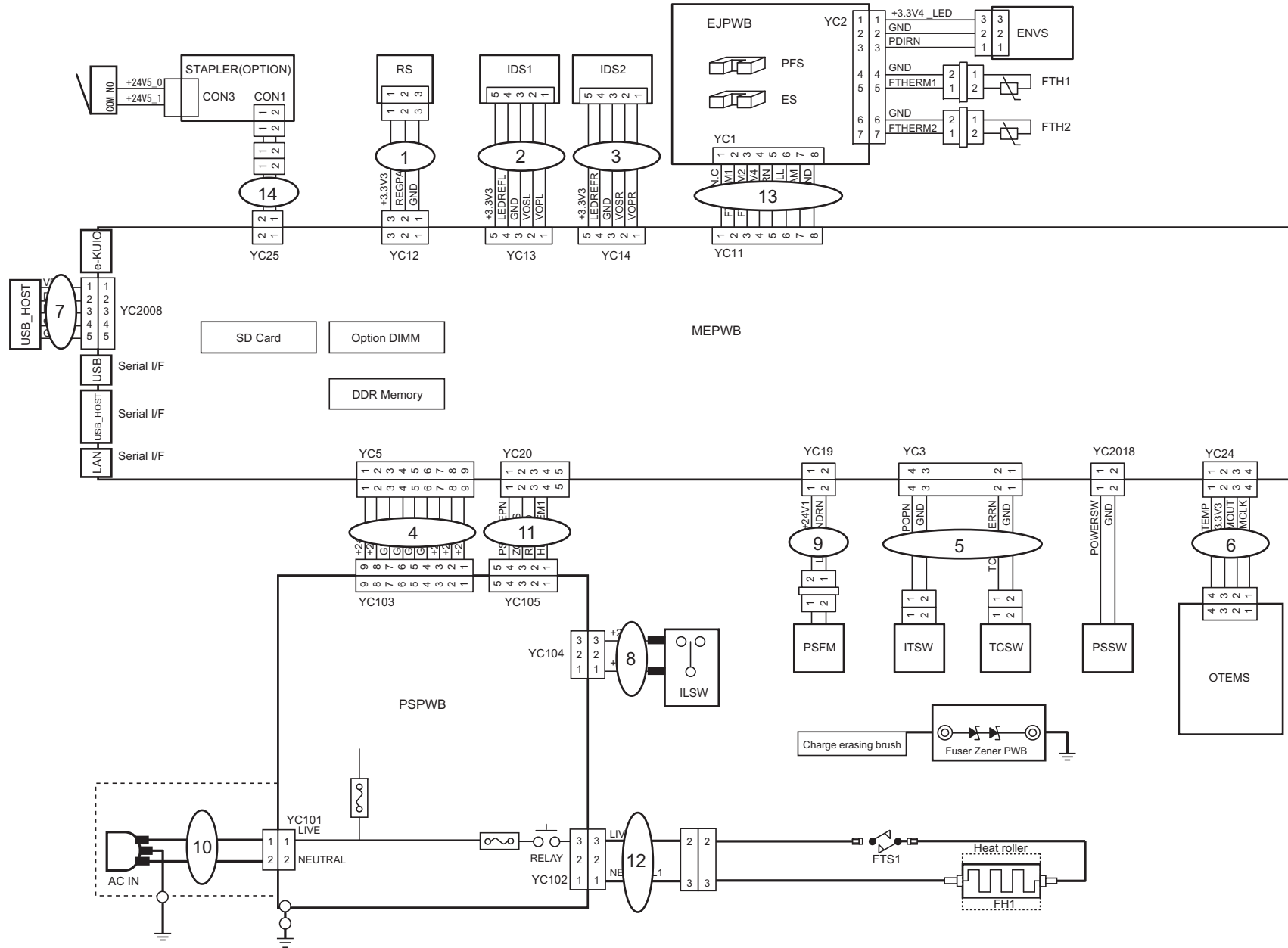


FIG. 19 Wire Section 1 (30ppm(A4),32ppm(Letter)/30ppm(A4),32ppm(Letter)(F))

2NV/2NW/2PB/2PC

Ref. No. 番号	Part.No. 部品番号	Alternative. 代替部品番号	Description 部品名称	Notes 備考	Revision 改訂	Quantity 個数			
						100(日本)	120	230	240
1	302NR46020	2NR46020	CONN.CORD ASSY S03920 MAIN-REGIST			1	1	1	1
2	302NR46030	2NR46030	CONN.CORD ASSY S03921 MAIN-ID SENSOR(L)			1	1	1	1
3	302NR46040	2NR46040	CONN.CORD ASSY S03922 MAIN-ID SENSOR(R)			1	1	1	1
4	302NR46060	2NR46060	CONN.CORD ASSY S03925 MAIN-LVU			1	1	1	1
5	302NR46090	2NR46090	CONN.CORD ASSY S03929 MAIN-CONTAINER SW			1	1	1	1
6	302NR46260	2NR46260	CONN.CORD ASSY S03956 MAIN-THERMISTOR			1	1	1	1
7	302NR46350	2NR46350	CONN.CORD ASSY S03965 USB HOST			1	1	1	1
8	302NR46360	2NR46360	CONN.CORD ASSY S03966 LVU-INTERLOCK			1	1	1	1
9	302NR46380	2NR46380	CONN.CORD ASSY S03969 MIAN-LVU FAN			1	1	1	1
10	302NR46410	2NR46410	CONN.CORD ASSY S03975 INLET			1	1	1	1
11	302NR46070	2NR46070	CONN.CORD ASSY S03926 MAIN-LVU			1	1	1	1
12	302NR46370	2NR46370	CONN.CORD ASSY S03967 LVU-HEATER CONNECT			1	1	1	1
13	302NV46060	2NV46060	CONN.CORD ASSY S04078 MAIN-EXIT			1	1	1	1
14	302PB46050	2PB46050	CONN.CORD ASSY S04085 MAIN-STAP CONNECT			1	1	1	1

• Parts with a Ref.No. of 500 and above in the illustration indicate they are not selected for service parts.

• イラスト中で 500 番台の Ref 番号が付いている部品はサービスパーツに選定されていません。

FIG. 19 Wire Section 1 (35ppm(A4),37ppm(Letter)/35ppm(A4),37ppm(Letter)(F))

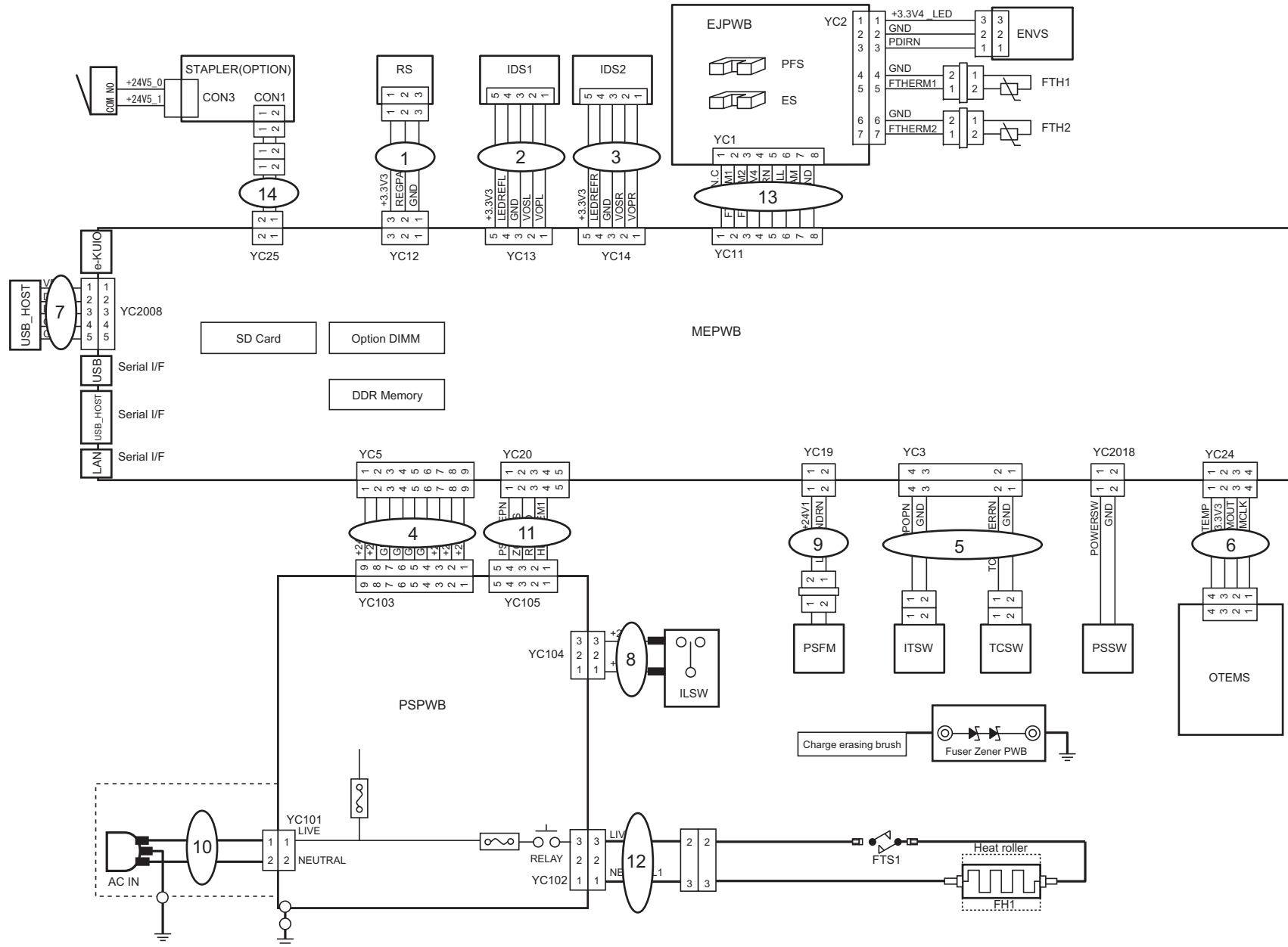


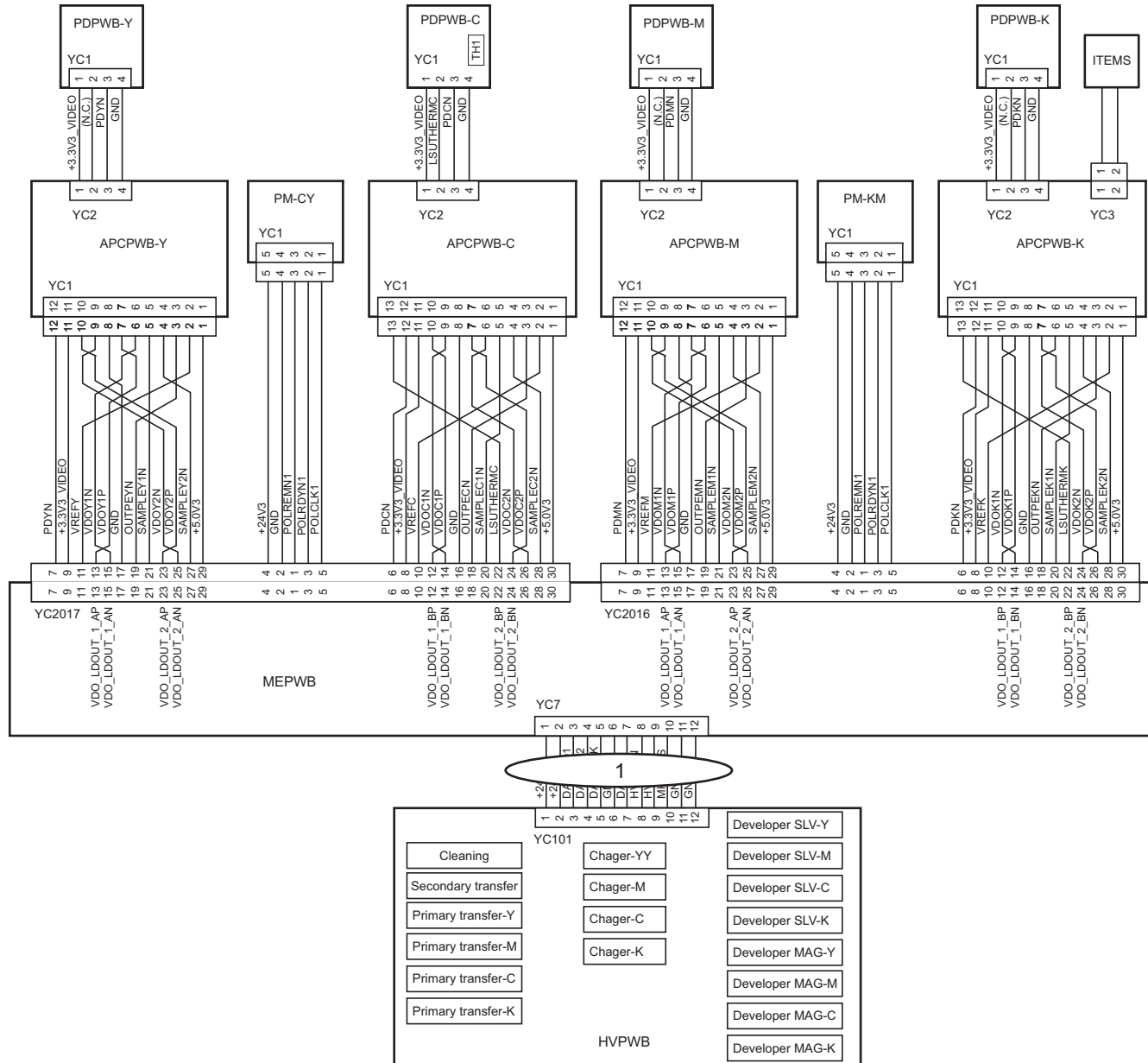
FIG. 19 Wire Section 1 (35ppm(A4),37ppm(Letter)/35ppm(A4),37ppm(Letter)(F))

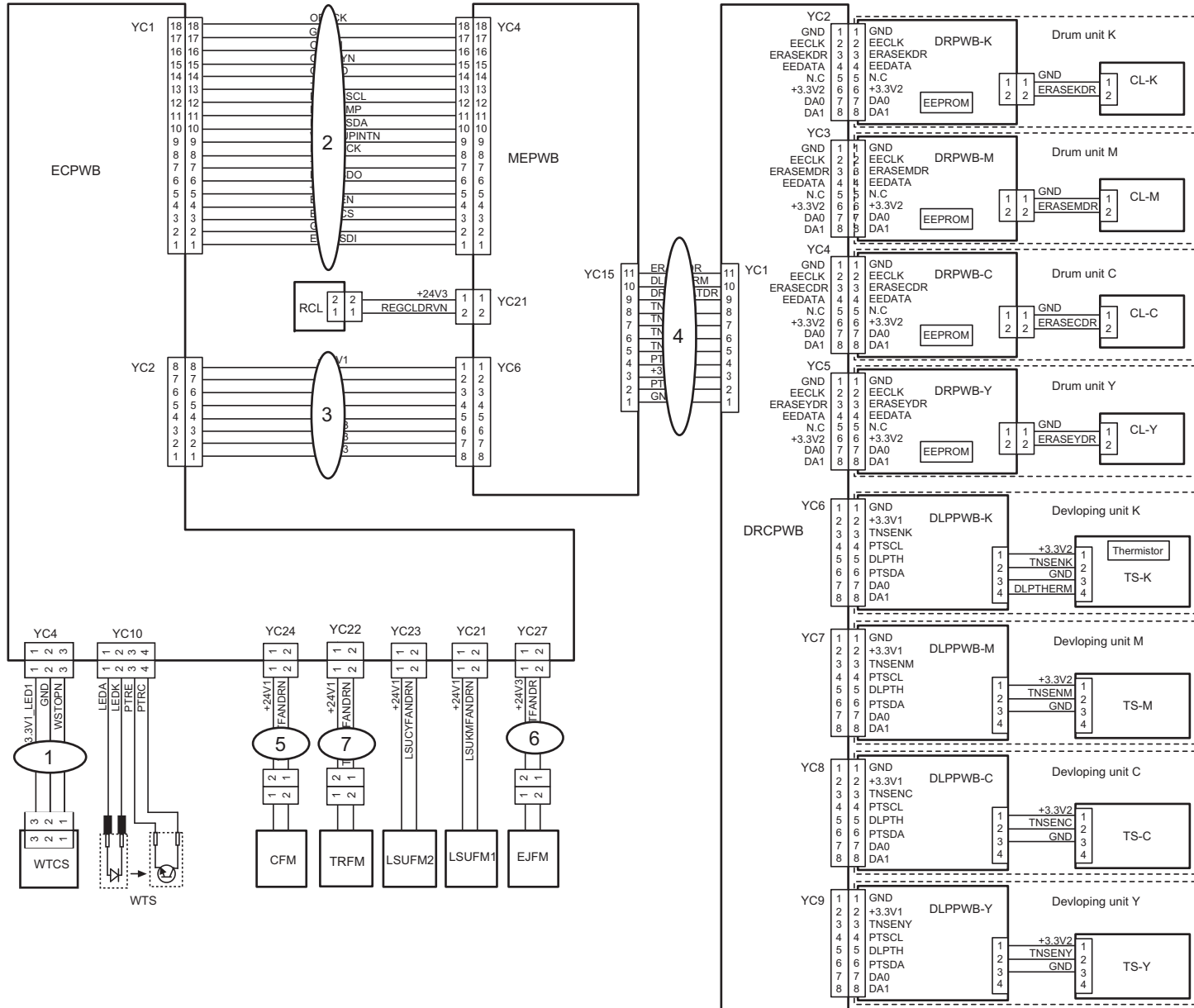
2NV/2NW/2PB/2PC

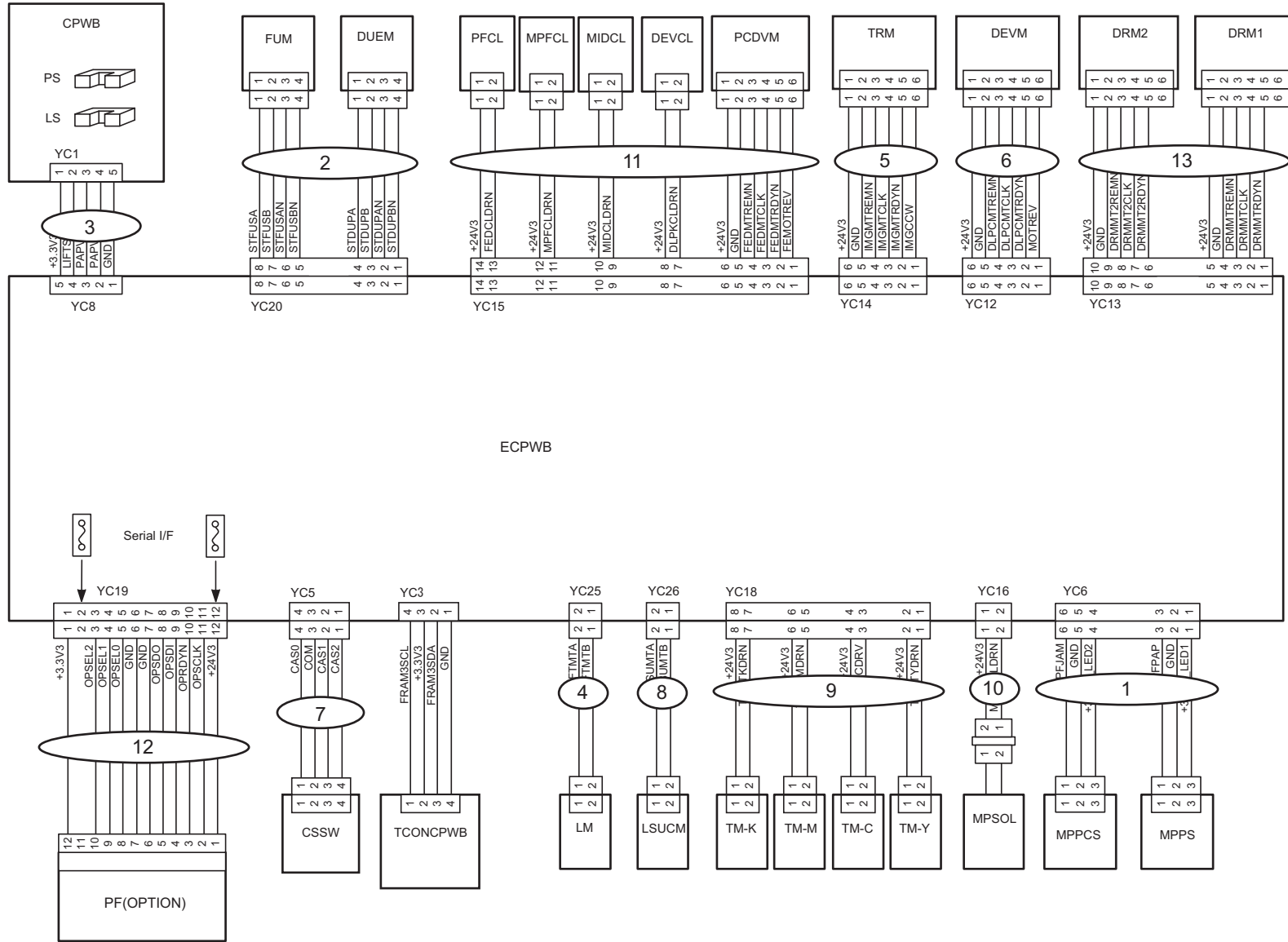
Ref. No. 番号	Part.No. 部品番号	Alternative. 代替部品番号	Description 部品名称	Notes 備考	Revision 改訂	Quantity 個数			
						100(日本)	120	230	240
1	302NR46020	2NR46020	CONN.CORD ASSY S03920 MAIN-REGIST			1	1	1	1
2	302NR46030	2NR46030	CONN.CORD ASSY S03921 MAIN-ID SENSOR(L)			1	1	1	1
3	302NR46040	2NR46040	CONN.CORD ASSY S03922 MAIN-ID SENSOR(R)			1	1	1	1
4	302NR46060	2NR46060	CONN.CORD ASSY S03925 MAIN-LVU			1	1	1	1
5	302NR46090	2NR46090	CONN.CORD ASSY S03929 MAIN-CONTAINER SW			1	1	1	1
6	302NR46260	2NR46260	CONN.CORD ASSY S03956 MAIN-THERMISTOR			1	1	1	1
7	302NR46350	2NR46350	CONN.CORD ASSY S03965 USB HOST			1	1	1	1
8	302NR46360	2NR46360	CONN.CORD ASSY S03966 LVU-INTERLOCK			1	1	1	1
9	302NR46380	2NR46380	CONN.CORD ASSY S03969 MIAN-LVU FAN			1	1	1	1
10	302NR46410	2NR46410	CONN.CORD ASSY S03975 INLET			1	1	1	1
11	302NT46010	2NT46010	CONN.CORD ASSY S03927 MAIN-LVU			1	1	1	1
12	302NT46070	2NT46070	CONN.CORD ASSY S03968 LVU-HEATER CONNECT			1	1	1	1
13	302NV46060	2NV46060	CONN.CORD ASSY S04078 MAIN-EXIT			1	1	1	1
14	302PB46050	2PB46050	CONN.CORD ASSY S04085 MAIN-STAP CONNECT			1	1	1	1

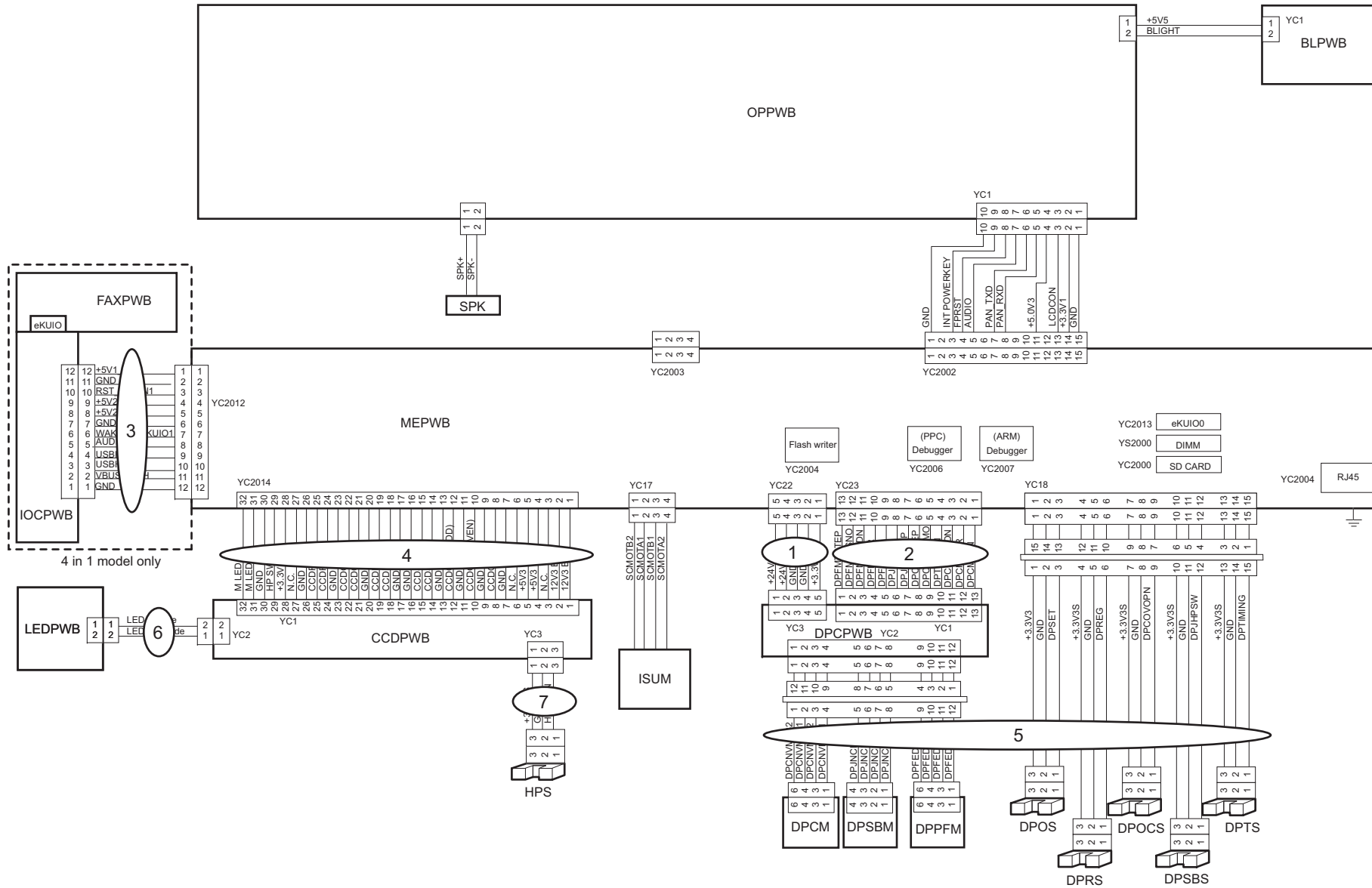
• Parts with a Ref.No. of 500 and above in the illustration indicate they are not selected for service parts.

• イラスト中で 500 番台の Ref 番号が付いている部品はサービスパーツに選定されていません。









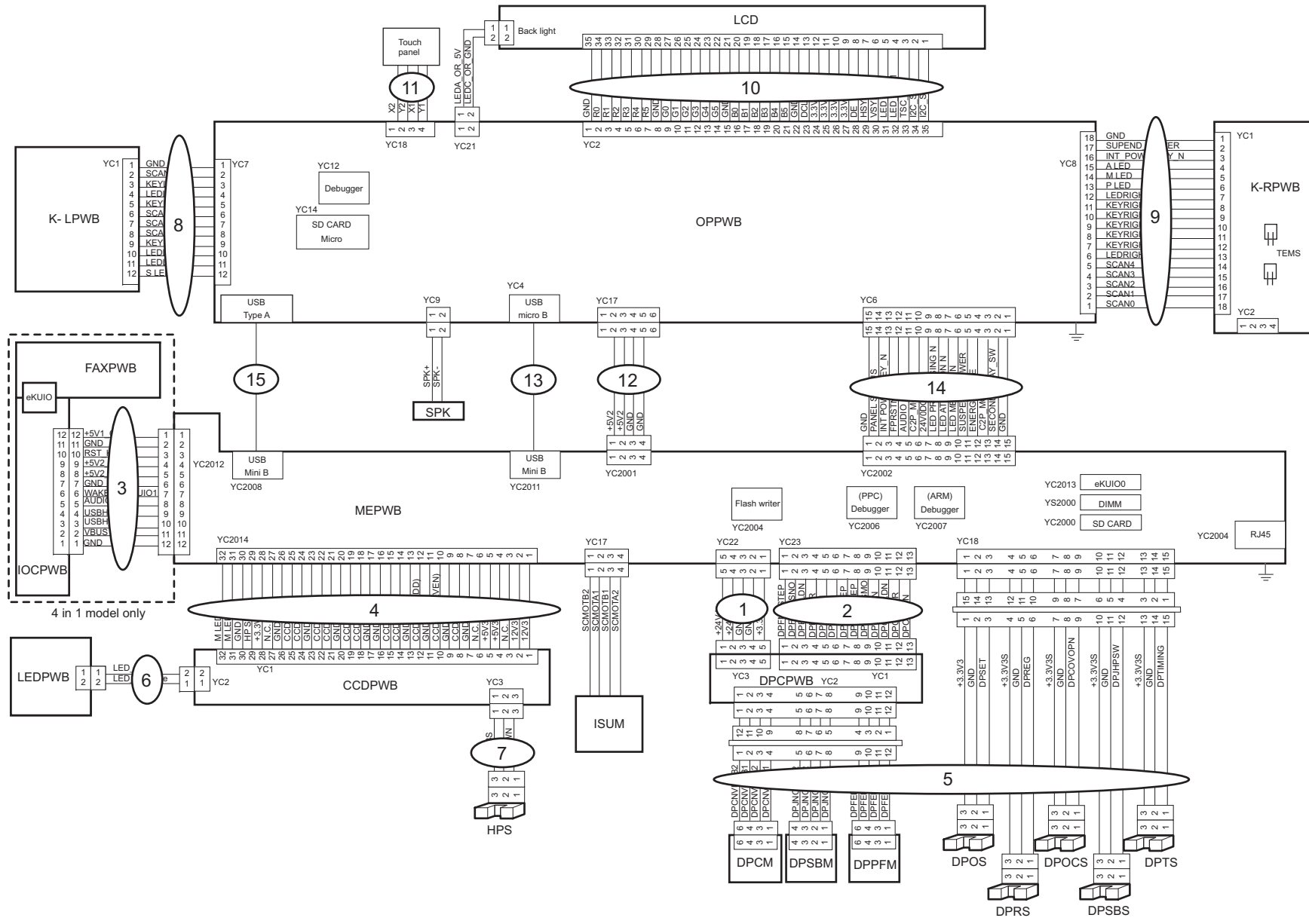


FIG. 23 Wire Section 5 (35ppm(A4),37ppm(Letter)/35ppm(A4),37ppm(Letter)(F))

2NV/2NW/2PB/2PC-2

Ref. No. 番号	Part.No. 部品番号	Alternative. 代替部品番号	Description 部 品 名 称	Notes 備 考	Revision 改 訂	Quantity 個数			
						100(日本)	120	230	240
1	302NV46040	2NV46040	CONN.CORD ASSY S04066 MAIN-DP POWER			1	1	1	1
2	302NV46050	2NV46050	CONN.CORD ASSY S04067 MAIN-DP SIG			1	1	1	1
3	302NW46010	2NW46010	CONN.CORD ASSY S04049 MAIN-EKUJO	35ppm(A4),37ppm(Letter)(F)		1	1	1	1
4	302NV46031	2NV46031	CONN.CORD ASSY S04065 MAIN-CCD		2:Design-chg.	1	1	1	1
5	3V2NV46100	2NV46100	CONN.CORD ASSY S04068 MAIN-DP UNIT			1	1	1	1
6	3V2NM46130	2NM46130	CONN.CORD ASSY S03840 CCD-LED			1	1	1	1
7	3V2NM46140	2NM46140	CONN.CORD ASSY S03841 CCD-HP			1	1	1	1
8	302NM46240	2NM46240	CONN.CORD ASSY S03835 KEY L FFC			1	1	1	1
9	302NM46250	2NM46250	CONN.CORD ASSY S03836 KEY R FFC			1	1	1	1
10	302NM46270	2NM46270	CONN.CORD ASSY S03846 LCD FFC			1	1	1	1
11	3V2NM46290	2NM46290	CONN.CORD ASSY S03869 BACKLIGHT			1	1	1	1
12	302PB46020	2PB46020	CONN.CORD ASSY S04051 PANEL HYPAS POWER			1	1	1	1
13	302PB46030	2PB46030	CONN.CORD ASSY S04052 MAIN-PANEL USB			1	1	1	1
14	302PB46010	2PB46010	CONN.CORD ASSY S04050 PANEL HYPAS SIG			1	1	1	1
15	302PB46040	2PB46040	CONN.CORD ASSY S04053 MAIN-CARD READER			1	1	1	1

• Parts with a Ref.No. of 500 and above in the illustration indicate they are not selected for service parts.

• イラスト中で 500 番台の Ref 番号が付いている部品はサービスパーツに選定されていません。

30ppm(A4),32ppm(Letter)/
30ppm(A4),32ppm(Letter)(F)

35ppm(A4),37ppm(Letter)/
35ppm(A4),37ppm(Letter)(F)

1,2,3,4,5,6,7

8,9,10,11,12,13,14

15,16,17,18,19,20,21

22,23,24,25,26,27,28

29,30,31,32,33,34,35

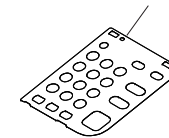
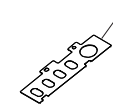
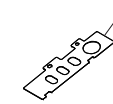
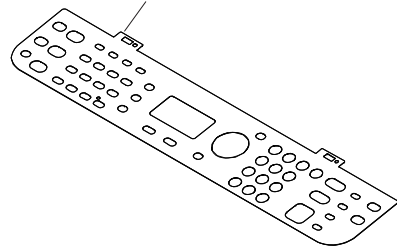
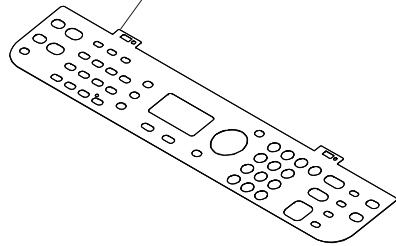


FIG. 24 Accessories

2NV/2NW/2PB/2PC-3

Ref. No. 番号	Part.No. 部品番号	Alternative. 代替部品番号	Description 部品名称	Notes 備考	Revision 改訂	Quantity 個数			
						100(日本)	120	230	240
1	302NV05040	2NV05040	SHEET OPE GER	30ppm(A4),32ppm(Letter)				1	
2	302NV05050	2NV05050	SHEET OPE FRA	30ppm(A4),32ppm(Letter)			1	1	
3	302NV05060	2NV05060	SHEET OPE ITA	30ppm(A4),32ppm(Letter)				1	
4	302NV05070	2NV05070	SHEET OPE SPA	30ppm(A4),32ppm(Letter)			1	1	
5	302NV05080	2NV05080	SHEET OPE POR	30ppm(A4),32ppm(Letter)			1	1	
6	302NV05090	2NV05090	SHEET OPE DUT	30ppm(A4),32ppm(Letter)				1	
7	302NV05100	2NV05100	SHEET OPE RUS	30ppm(A4),32ppm(Letter)				1	
8	302NW05040	2NW05040	SHEET OPE GER	30ppm(A4),32ppm(Letter)(F)				1	
9	302NW05050	2NW05050	SHEET OPE FRA	30ppm(A4),32ppm(Letter)(F)			1	1	
10	302NW05060	2NW05060	SHEET OPE ITA	30ppm(A4),32ppm(Letter)(F)				1	
11	302NW05070	2NW05070	SHEET OPE SPA	30ppm(A4),32ppm(Letter)(F)			1	1	
12	302NW05080	2NW05080	SHEET OPE POR	30ppm(A4),32ppm(Letter)(F)			1	1	
13	302NW05090	2NW05090	SHEET OPE DUT	30ppm(A4),32ppm(Letter)(F)				1	
14	302NW05100	2NW05100	SHEET OPE RUS	30ppm(A4),32ppm(Letter)(F)				1	
15	302NY05040	2NY05040	LABEL OPERATION LEFT 3IN1 GER	35ppm(A4),37ppm(Letter)	3: Part No.-chg.			1	
16	302NY05050	2NY05050	LABEL OPERATION LEFT 3IN1 FRA	35ppm(A4),37ppm(Letter)	3: Part No.-chg.		1	1	
17	302NY05060	2NY05060	LABEL OPERATION LEFT 3IN1 ITA	35ppm(A4),37ppm(Letter)	3: Part No.-chg.			1	
18	302NY05070	2NY05070	LABEL OPERATION LEFT 3IN1 SPA	35ppm(A4),37ppm(Letter)	3: Part No.-chg.		1	1	
19	302NY05080	2NY05080	LABEL OPERATION LEFT 3IN1 POR	35ppm(A4),37ppm(Letter)	3: Part No.-chg.		1	1	
20	302NY05080	2NY05080	LABEL OPERATION LEFT 3IN1 DUT	35ppm(A4),37ppm(Letter)	3: Part No.-chg.			1	
21	302NY05100	2NY05100	LABEL OPERATION LEFT 3IN1 RUS	35ppm(A4),37ppm(Letter)	3: Part No.-chg.			1	
22	302NM05380	2NM05380	LABEL OPERATION LEFT GER	35ppm(A4),37ppm(Letter)(F)	3: Part No.-chg.			1	
23	302NM05390	2NM05390	LABEL OPERATION LEFT FRA	35ppm(A4),37ppm(Letter)(F)	3: Part No.-chg.		1	1	
24	302NM05400	2NM05400	LABEL OPERATION LEFT ITA	35ppm(A4),37ppm(Letter)(F)	3: Part No.-chg.			1	
25	302NM05410	2NM05410	LABEL OPERATION LEFT SPA	35ppm(A4),37ppm(Letter)(F)	3: Part No.-chg.		1	1	
26	302NM05420	2NM05420	LABEL OPERATION LEFT POR	35ppm(A4),37ppm(Letter)(F)	3: Part No.-chg.		1	1	
27	302NM05430	2NM05430	LABEL OPERATION LEFT DUT	35ppm(A4),37ppm(Letter)(F)	3: Part No.-chg.			1	
28	302NM05440	2NM05440	LABEL OPERATION LEFT RUS	35ppm(A4),37ppm(Letter)(F)	3: Part No.-chg.			1	
29	302NY05150	2NY05150	LABEL OPERATION RIGHT 3IN1 GER	35ppm(A4),37ppm(Letter)	3: Part No.-chg.			1	
29	302NM05450	2NM05450	LABEL OPERATION RIGHT GER	35ppm(A4),37ppm(Letter)(F)	3: Part No.-chg.			1	
30	302NY05160	2NY05160	LABEL OPERATION RIGHT 3IN1 FRA	35ppm(A4),37ppm(Letter)	3: Part No.-chg.		1	1	
30	302NM05460	2NM05460	LABEL OPERATION RIGHT FRA	35ppm(A4),37ppm(Letter)(F)	3: Part No.-chg.		1	1	
31	302NY05170	2NY05170	LABEL OPERATION RIGHT 3IN1 ITA	35ppm(A4),37ppm(Letter)	3: Part No.-chg.			1	
31	302NM05470	2NM05470	LABEL OPERATION RIGHT ITA	35ppm(A4),37ppm(Letter)(F)	3: Part No.-chg.			1	
32	302NY05180	2NY05180	LABEL OPERATION RIGHT 3IN1 SPA	35ppm(A4),37ppm(Letter)	3: Part No.-chg.		1	1	
32	302NM05480	2NM05480	LABEL OPERATION RIGHT SPA	35ppm(A4),37ppm(Letter)(F)	3: Part No.-chg.		1	1	
33	302NY05190	2NY05190	LABEL OPERATION RIGHT 3IN1 POR	35ppm(A4),37ppm(Letter)	3: Part No.-chg.		1	1	
33	302NM05490	2NM05490	LABEL OPERATION RIGHT POR	35ppm(A4),37ppm(Letter)(F)	3: Part No.-chg.		1	1	
34	302NY05200	2NY05200	LABEL OPERATION RIGHT 3IN1 DUT	35ppm(A4),37ppm(Letter)	3: Part No.-chg.			1	
34	302NM05500	2NM05500	LABEL OPERATION RIGHT DUT	35ppm(A4),37ppm(Letter)(F)	3: Part No.-chg.			1	
35	302NY05210	2NY05210	LABEL OPERATION RIGHT 3IN1 RUS	35ppm(A4),37ppm(Letter)	3: Part No.-chg.			1	
35	302NM05510	2NM05510	LABEL OPERATION RIGHT RUS	35ppm(A4),37ppm(Letter)(F)	3: Part No.-chg.			1	

• Parts with a Ref.No. of 500 and above in the illustration indicate they are not selected for service parts.

• イラスト中で 500 番台の Ref 番号が付いている部品はサービスパーツに選定されていません。

FIG. 25 Maintenance Kits (30ppm(A4),32ppm(Letter)/30ppm(A4),32ppm(Letter)(F))

2NV/2NW/2PB/2PC-3

Ref. No. 番号	Part.No. 部品番号	Alternative. 代替部品番号	Description 部品名称	Notes 備考	Revision 改訂	Quantity 個数			
						100(日本)	120	230	240
	1702NR9JP0	072NR9JP	MK-5141/MAINTENANCE KIT	OPTION		1			
	*302NR9J021	2NR9J021	DV-5140(K)(J)		2:Others	1			
	*302NR9J031	2NR9J031	DV-5140(Y)(J)		2:Others	1			
	*302NR9J041	2NR9J041	DV-5140(M)(J)		2:Others	1			
	*302NR9J051	2NR9J051	DV-5140(C)(J)		2:Others	1			
	*302KV94191	2KV94191	PARTS HOLDER FEED ASSY SP		2:Others	1			
	*302NR93013	2NR93013	DK-5140		3: Design-chg.	4			
	*302NR93061	2NR93061	TR-5140		2:Others	1			
	*302NR94330	2NR94330	PARTS ROLLER TRANSFER SP		2:Others	1			
	*302NT94061	2NT94061	PARTS RETARD ASSY SP		2:Others	1			
	*302NR93101	2NR93101	FK-5141		2:Others	1			
	1702NR7US0	072NR7US	MK-5142/MAINTENANCE KIT	OPTION			1		
	*302NR93021	2NR93021	DV-5140(K)		2:Others		1		
	*302NR93031	2NR93031	DV-5140(Y)		2:Others		1		
	*302NR93041	2NR93041	DV-5140(M)		2:Others		1		
	*302NR93051	2NR93051	DV-5140(C)		2:Others		1		
	*302KV94191	2KV94191	PARTS HOLDER FEED ASSY SP		2:Others		1		
	*302NR93013	2NR93013	DK-5140		3: Design-chg.		4		
	*302NR93061	2NR93061	TR-5140		2:Others		1		
	*302NR94330	2NR94330	PARTS ROLLER TRANSFER SP		2:Others		1		
	*302NT94061	2NT94061	PARTS RETARD ASSY SP		2:Others		1		
	*302NR93111	2NR93111	FK-5142		2:Others		1		
	1702NR8NL0	072NR8NL	MK-5140/MAINTENANCE KIT	OPTION				1	1
	1702NR8AS0	072NR8AS	MK-5144/MAINTENANCE KIT	OPTION				1	1
	*302NR93021	2NR93021	DV-5140(K)		2:Others			1	1
	*302NR93031	2NR93031	DV-5140(Y)		2:Others			1	1
	*302NR93041	2NR93041	DV-5140(M)		2:Others			1	1
	*302NR93051	2NR93051	DV-5140(C)		2:Others			1	1
	*302KV94191	2KV94191	PARTS HOLDER FEED ASSY SP		2:Others			1	1
	*302NR93013	2NR93013	DK-5140		3: Design-chg.			4	4
	*302NR93061	2NR93061	TR-5140		2:Others			1	1
	*302NR94330	2NR94330	PARTS ROLLER TRANSFER SP		2:Others			1	1
	*302NT94061	2NT94061	PARTS RETARD ASSY SP		2:Others			1	1
	*302NR93091	2NR93091	FK-5140		2:Others			1	1
	1702P60UN0	072P60UN	MK-3140/MAINTENANCE KIT	OPTION:DP		1	1	1	1
	*		PARTS DP PAD ASSY SP		3: Others	1	1	1	1
	*302R494430	2R494430	PARTS PULLEY PAPER FEED ASSY SP		3: Others	1	1	1	1
	*302R494420	2R494420	PARTS PULLEY PICKUP ASSY SP		3: Others	1	1	1	1

• Parts with a Ref.No. of 500 and above in the illustration indicate they are not selected for service parts.

• イラスト中で 500 番台の Ref 番号が付いている部品はサービスパーツに選定されていません。

FIG. 25 Maintenance Kits (35ppm(A4),37ppm(Letter)/35ppm(A4),37ppm(Letter)(F))

2NV/2NW/2PB/2PC-3

Ref. No. 番号	Part.No. 部品番号	Alternative. 代替部品番号	Description 部品名称	Notes 備考	Revision 改訂	Quantity 個数			
						100(日本)	120	230	240
	1702NS9JP1	072NS9J1	MK-5156/MAINTENANCE KIT	OPTION		1			
	*302NS9J012	2NS9J012	DV-5150(K)(J)		2:Others	1			
	*302NS9J022	2NS9J022	DV-5150(Y)(J)		2:Others	1			
	*302NS9J032	2NS9J032	DV-5150(M)(J)		2:Others	1			
	*302NS9J042	2NS9J042	DV-5150(C)(J)		2:Others	1			
	*302KV94191	2KV94191	PARTS HOLDER FEED ASSY SP		2:Others	1			
	*302NR93013	2NR93013	DK-5140		3: Design-chg.	4			
	*302NR93061	2NR93061	TR-5140		2:Others	1			
	*302NR94330	2NR94330	PARTS ROLLER TRANSFER SP		2:Others	1			
	*302NT94061	2NT94061	PARTS RETARD ASSY SP		2:Others	1			
	*302PB93022	2PB93022	FK-5151		2:Others	1			
	1702NS7US1	072NS7U1	MK-5157/MAINTENANCE KIT	OPTION			1		
	*302NS93012	2NS93012	DV-5150(K)		2:Others		1		
	*302NS93022	2NS93022	DV-5150(Y)		2:Others		1		
	*302NS93032	2NS93032	DV-5150(M)		2:Others		1		
	*302NS93042	2NS93042	DV-5150(C)		2:Others		1		
	*302KV94191	2KV94191	PARTS HOLDER FEED ASSY SP		2:Others		1		
	*302NR93013	2NR93013	DK-5140		3: Design-chg.		4		
	*302NR93061	2NR93061	TR-5140		2:Others		1		
	*302NR94330	2NR94330	PARTS ROLLER TRANSFER SP		2:Others		1		
	*302NT94061	2NT94061	PARTS RETARD ASSY SP		2:Others		1		
	*302PB93032	2PB93032	FK-5152		2:Others		1		
	1702NS8NL1	072NS8N1	MK-5155/MAINTENANCE KIT	OPTION				1	1
	1702NS8AS1	072NS8A1	MK-5159/MAINTENANCE KIT	OPTION				1	1
	*302NS93012	2NS93012	DV-5150(K)		2:Others			1	1
	*302NS93022	2NS93022	DV-5150(Y)		2:Others			1	1
	*302NS93032	2NS93032	DV-5150(M)		2:Others			1	1
	*302NS93042	2NS93042	DV-5150(C)		2:Others			1	1
	*302KV94191	2KV94191	PARTS HOLDER FEED ASSY SP		2:Others			1	1
	*302NR93013	2NR93013	DK-5140		3: Design-chg.			4	4
	*302NR93061	2NR93061	TR-5140		2:Others			1	1
	*302NR94330	2NR94330	PARTS ROLLER TRANSFER SP		2:Others			1	1
	*302NT94061	2NT94061	PARTS RETARD ASSY SP		2:Others			1	1
	*302PB93012	2PB93012	FK-5150		2:Others			1	1
	1702P60UN0	072P60UN	MK-3140/MAINTENANCE KIT	OPTION:DP		1	1	1	1
	*		PARTS DP PAD ASSY SP		3: Others	1	1	1	1
	*302R494430	2R494430	PARTS PULLEY PAPER FEED ASSY SP		3: Others	1	1	1	1
	*302R494420	2R494420	PARTS PULLEY PICKUP ASSY SP		3: Others	1	1	1	1

• Parts with a Ref.No. of 500 and above in the illustration indicate they are not selected for service parts.

• イラスト中で 500 番台の Ref 番号が付いている部品はサービスパーツに選定されていません。

INDEX / 索引

2NV/2NW/2PB/2PC-3

Part.No. 部品番号	Alternative. 代替部品番号	Description 部品名称	Fig.No.
3019527401	19527401	POWER CORD(120)	14
1702NR7US0	072NR7US	MK-5142/MAINTENANCE KIT	25
1702NR8AS0	072NR8AS	MK-5144/MAINTENANCE KIT	25
1702NR8NL0	072NR8NL	MK-5140/MAINTENANCE KIT	25
1702NR9JP0	072NR9JP	MK-5141/MAINTENANCE KIT	25
1702NS7US1	072NS7U1	MK-5157/MAINTENANCE KIT	25
1702NS8AS1	072NS8A1	MK-5159/MAINTENANCE KIT	25
1702NS8NL1	072NS8N1	MK-5155/MAINTENANCE KIT	25
1702NS9JP1	072NS9J1	MK-5156/MAINTENANCE KIT	25
1702P60UN0	072P60UN	MK-3140/MAINTENANCE KIT	25
2FM04150	2FM04150	CAP SPRING/B-11 ENCLOSURE A4	4,5
302F909171	2F909171	RETARD ROLLER ASSY	3
302F929050	2F929050	PULLEY FEED DU	4
302FV45040	2FV45040	AC CORD ASSY	14
302FV94010	2FV94010	PARTS AC CORD EU SP	14
302FZ94380	2FZ94380	PARTS,FAN COOLING DLP 70 SP	4
302FZ94420	2FZ94420	PARTS,FAN COOLING CONVEYING SP	13,14
302GR44150	2GR44150	SOLENOID TONER	12
302HN01240	2HN01240	P.W.BOARD ASSY FUSER ZENER	4
302HN02611	2HN02611	FOOT	14
302HN08140	2HN08140	LUTCH	1
302HN09170	2HN09170	GEAR Z13S JOINT	2
302HN31650	2HN31650	SPRING INPUT MPF	12
302HN44180	2HN44180	SWITCH SIZE	13
302HN44210	2HN44210	FAN MOTOR	14
302HS08260	2HS08260	ROLLER M/P ASSY	4
302J901030	2J901030	P.W.BOARD ASSY FUSER ZENER	4
302K994323	2K994323	PARTS MOTOR-BL W20 SP	12
302KT02150	2KT02150	GEAR Z33S-Z13S	13
302KT06050	2KT06050	ACTUATOR PE	3
302KT94070	2KT94070	PARTS PWB ASSY CASSETTE SP	3
302KV04130	2KV04130	STRAP COVER REAR	1
302KV06151	2KV06151	SHAFT FEED	3
302KV06180	2KV06180	RELEASE ACTUATOR PE	3
302KV06201	2KV06201	SPRING ACT	3
302KV06341	2KV06341	ACTUATOR B	3
302KV06370	2KV06370	PIN FEED	3
302KV09250	2KV09250	GEAR Z13	2
302KV31410	2KV31410	BUSH DRIVE	12
302KV31440	2KV31440	GEAR Z23L	12
302KV44041	2KV44041	CLUTCH 50 Z35R	12
302KV94191	2KV94191	PARTS HOLDER FEED ASSY SP	3,25
302KW04090	2KW04090	PIN LID TOP	16
302LC94292	2LC94292	PARTS MOTOR-BL W10 SP	12
302LW94060	2LW94060	PARTS MOTOR ISU SP	16
302M294130	2M294130	PARTS PWB ASSY THERMISTOR SP	14
302MC34040	2MC34040	LABEL PUSH	5
302NG94050	2NG94050	PARTS DC MOTOR ASSY SP	13
302NG94220	2NG94220	PARTS FAN MOTOR SP	12
302NM05270	2NM05270	LABEL OPERATION RIGHT	15
302NM05280	2NM05280	LABEL OPERATION LEFT	15

Part.No. 部品番号	Alternative. 代替部品番号	Description 部品名称	Fig.No.
302NM05380	2NM05380	LABEL OPERATION LEFT GER	24
302NM05390	2NM05390	LABEL OPERATION LEFT FRA	24
302NM05400	2NM05400	LABEL OPERATION LEFT ITA	24
302NM05410	2NM05410	LABEL OPERATION LEFT SPA	24
302NM05420	2NM05420	LABEL OPERATION LEFT POR	24
302NM05430	2NM05430	LABEL OPERATION LEFT DUT	24
302NM05440	2NM05440	LABEL OPERATION LEFT RUS	24
302NM05450	2NM05450	LABEL OPERATION RIGHT GER	24
302NM05460	2NM05460	LABEL OPERATION RIGHT FRA	24
302NM05470	2NM05470	LABEL OPERATION RIGHT ITA	24
302NM05480	2NM05480	LABEL OPERATION RIGHT SPA	24
302NM05490	2NM05490	LABEL OPERATION RIGHT POR	24
302NM05500	2NM05500	LABEL OPERATION RIGHT DUT	24
302NM05510	2NM05510	LABEL OPERATION RIGHT RUS	24
302NM05520	2NM05520	LABEL OPERATION RIGHT E	15
302NM05590	2NM05590	LABEL OPERATION LEFT E	15
302NM18021	2NM18021	HINGE LEFT	17
302NM18031	2NM18031	HINGE RIGHT	17
302NM46240	2NM46240	CONN.CORD ASSY S03835 KEY L FFC	23
302NM46250	2NM46250	CONN.CORD ASSY S03836 KEY R FFC	23
302NM46270	2NM46270	CONN.CORD ASSY S03846 LCD FFC	23
302NM94100	2NM94100	PARTS PWB ASSY H PANEL KEY-L SP	15
302NM94110	2NM94110	PARTS LCD OPERATION SP	15
302NM94121	2NM94121	PARTS TABLE OPERATION SP	15
302NM94150	2NM94150	PARTS TABLE MAIN ASSY SP	17
302NM94231	2NM94231	PARTS DRIVE ASSY A SP	17
302NM94240	2NM94240	PARTS DRIVE ASSY B SP	17
302NR02140	2NR02140	LEVER INTERLOCK	14
302NR02170	2NR02170	GUIDE TOP LEFT	13
302NR02180	2NR02180	GUIDE TOP RIGHT	14
302NR02191	2NR02191	GUIDE CASSETTE LEFT	13
302NR02230	2NR02230	HOLDER GEAR	13
302NR02330	2NR02330	SLIDER CLEANER ID	13
302NR02340	2NR02340	SPRING SLIDER CLEANER	13
302NR02930	2NR02930	GEAR Z41S	13
302NR04030	2NR04030	COVERLEFT	1
302NR04050	2NR04050	COVERFRONT	1
302NR04080	2NR04080	COVER FRONT UPPER	1
302NR04090	2NR04090	COVER WASTE	1
302NR04100	2NR04100	COVER WASTE LOW	1
302NR04110	2NR04110	COVER CONNECTOR	1
302NR04170	2NR04170	COVER LEFT BOTTOM	1
302NR04180	2NR04180	COVER RIGHT BOTTOM	1
302NR04190	2NR04190	COVER MEMORY	1
302NR04250	2NR04250	HOLDER MAIN SWITCH	1
302NR06010	2NR06010	GUIDE CASSETTE	3
302NR06040	2NR06040	COVER RETARD	3
302NR06210	2NR06210	GUIDE PICK HOLDER	3
302NR06511	2NR06511	FRAME FEED	3
302NR06590	2NR06590	PAD REGIST FEED	3
302NR06620	2NR06620	SPRING ACTUATOR	3

Part.No. 部品番号	Alternative. 代替部品番号	Description 部品名称	Fig.No.
302NR08040	2NR08040	FRAME MPF	4
302NR08101	2NR08101	GUIDE MPF FEED UP	4
302NR08111	2NR08111	GUIDE MPF FEED LOW A	4
302NR08130	2NR08130	GUIDE MPF FEED LOW B	4
302NR08220	2NR08220	SPRING PULLEY MPF	4
302NR09040	2NR09040	GEAR Z20S WORKPLATE	2
302NR09070	2NR09070	WORKPLATE LIFT	2
302NR09110	2NR09110	SHEET CASSETTE RETARD	2
302NR28090	2NR28090	SHAFT EXIT	4,5
302NR29020	2NR29020	HOOK DU RELEASE	5
302NR31060	2NR31060	GEAR Z24L	12
302NR31080	2NR31080	GEAR Z33R-Z32R	13
302NR31150	2NR31150	HOUSING MPF DRIVE A	12
302NR31161	2NR31161	HOUSING MPF DRIVE B	12
302NR31180	2NR31180	GEAR Z31R-Z24S	12
302NR31190	2NR31190	GEAR INPUT A Z36S	12
302NR31200	2NR31200	GEAR INPUT B Z36S	12
302NR31210	2NR31210	PIN DRIVE MPF A	12
302NR31220	2NR31220	PLATE MIDDLE DRIVE	12
302NR31230	2NR31230	GEAR Z35R	12
302NR31240	2NR31240	GEAR Z63R-Z24R	12
302NR31250	2NR31250	GEAR Z44R-Z16S	12
302NR31260	2NR31260	GEAR Z26S	12
302NR31570	2NR31570	BELT S2M Z350	13
302NR31630	2NR31630	CAM MPF	12
302NR31810	2NR31810	GEAR Z14L MPF	12
302NR33020	2NR33020	DUCT LEFT INNER	13
302NR34020	2NR34020	LABEL JAM	1
302NR34090	2NR34090	LABEL PUSH SET	5
302NR39011	2NR39011	BRACKET FRONT HV	14
302NR46020	2NR46020	CONN.CORD ASSY S03920 MAIN-REGIST	19
302NR46030	2NR46030	CONN.CORD ASSY S03921 MAIN-ID SENSOR(L)	19
302NR46040	2NR46040	CONN.CORD ASSY S03922 MAIN-ID SENSOR(R)	19
302NR46060	2NR46060	CONN.CORD ASSY S03925 MAIN-LVU	19
302NR46070	2NR46070	CONN.CORD ASSY S03926 MAIN-LVU	19
302NR46080	2NR46080	CONN.CORD ASSY S03928 ENGINE-MPF	22
302NR46090	2NR46090	CONN.CORD ASSY S03929 MAIN-CONTAINER SW	19
302NR46110	2NR46110	CONN.CORD ASSY S03931 ENGINE-WASTE COVER	21
302NR46150	2NR46150	CONN.CORD ASSY S03939 ENGINE-FUSER MOT	22
302NR46160	2NR46160	CONN.CORD ASSY S03940 MIAN-HVU OPC	20
302NR46170	2NR46170	CONN.CORD ASSY S03943 MAIN-ENGINE	21
302NR46180	2NR46180	CONN.CORD ASSY S03944 MAIN-ENGINE	21
302NR46190	2NR46190	CONN.CORD ASSY S03945 MAIN-DRUM CONNECT	21
302NR46200	2NR46200	CONN.CORD ASSY S03946 ENGINE-CASSETTE	22
302NR46210	2NR46210	CONN.CORD ASSY S03947 ENGINE-LIFT	22
302NR46230	2NR46230	CONN.CORD ASSY S03951 ENGINE-IMAGE MOT	22
302NR46240	2NR46240	CONN.CORD ASSY S03952 ENGINE-DLP MOT	22
302NR46260	2NR46260	CONN.CORD ASSY S03956 MAIN-THERMISTOR	19
302NR46270	2NR46270	CONN.CORD ASSY S03957 ENGINE-CASSETTE SW	22
302NR46290	2NR46290	CONN.CORD ASSY S03959 ENGINE-LSU CL	22
302NR46300	2NR46300	CONN.CORD ASSY S03960 ENGINE-TONER MOT	22

Part.No. 部品番号	Alternative. 代替部品番号	Description 部品名称	Fig.No.
302NR46310	2NR46310	CONN.CORD ASSY S03961 ENGINE-SOLENOID	22
302NR46320	2NR46320	CONN.CORD ASSY S03962 ENGINE-IMAGE FAN	21
302NR46330	2NR46330	CONN.CORD ASSY S03963 ENGINE-CONTAIN FAN	21
302NR46350	2NR46350	CONN.CORD ASSY S03965 USB HOST	19
302NR46360	2NR46360	CONN.CORD ASSY S03966 LVU-INTERLOCK	19
302NR46370	2NR46370	CONN.CORD ASSY S03967 LVU-HEATER CONNECT	19
302NR46380	2NR46380	CONN.CORD ASSY S03969 MIAN-LVU FAN	19
302NR46390	2NR46390	CONN.CORD ASSY S03971 ENGINE-FEED MOT	22
302NR46410	2NR46410	CONN.CORD ASSY S03975 INLET	19
302NR46490	2NR46490	CONN.CORD ASSY S04090 ENGINE-DRUM MOT	22
302NR93013	2NR93013	DK-5140	9,25
302NR93021	2NR93021	DV-5140(K)	8,25
302NR93031	2NR93031	DV-5140(Y)	8,25
302NR93041	2NR93041	DV-5140(M)	8,25
302NR93051	2NR93051	DV-5140(C)	8,25
302NR93061	2NR93061	TR-5140	10,25
302NR93070	2NR93070	LK-5140A	7
302NR93080	2NR93080	LK-5140B	7
302NR93091	2NR93091	FK-5140	11,25
302NR93101	2NR93101	FK-5141	11,25
302NR93111	2NR93111	FK-5142	11,25
302NR93130	2NR93130	DR-5140	12
302NR93140	2NR93140	MC-5140	9
302NR93150	2NR93150	WT-5140	14
302NR94010	2NR94010	PARTS CLUTCH 35 Z35R SP	12
302NR94020	2NR94020	PARTS ID SENSOR SP	13
302NR94030	2NR94030	PARTS HIGH VOLTAGE UNIT SP	14
302NR94040	2NR94040	PARTS SWITCHING REGULATOR 100V SP	14
302NR94050	2NR94050	PARTS SWITCHING REGULATOR 230V SP	14
302NR94070	2NR94070	PARTS TONER FULL DETECT ASSY SP	14
302NR94080	2NR94080	PARTS DC MOTOR ASSY SP	13
302NR94100	2NR94100	PARTS PWB ASSY CONTAINER CONN SP	13
302NR94110	2NR94110	PARTS PWB ASSY ENGINE CONNECT SP	13
302NR94120	2NR94120	PARTS PWB ASSY DRUM CONNECT SP	13
302NR94130	2NR94130	PARTS PWB ASSY EXIT SP	5
302NR94160	2NR94160	PARTS PWB ASSY SWITCH SP	14
302NR94190	2NR94190	PARTS CONVEYING 250 ASSY SP	6
302NR94200	2NR94200	PARTS CLEANER ID ASSY SP	13
302NR94210	2NR94210	PARTS COVER MPF ASSY SP	4
302NR94220	2NR94220	PARTS PLATE BOTTOM MPF ASSY SP	4
302NR94250	2NR94250	PARTS MIDDLE ROLLER ASSY SP	3
302NR94260	2NR94260	PARTS FEED DRIVE ASSY SP	12
302NR94270	2NR94270	PARTS SEPARATOR MPF ASSY SP	4
302NR94330	2NR94330	PARTS ROLLER TRANSFER ASSY SP	6,25
302NR9J021	2NR9J021	DV-5140(K)(J)	8,25
302NR9J031	2NR9J031	DV-5140(Y)(J)	8,25
302NR9J041	2NR9J041	DV-5140(M)(J)	8,25
302NR9J051	2NR9J051	DV-5140(C)(J)	8,25
302NS93012	2NS93012	DV-5150(K)	8,25
302NS93022	2NS93022	DV-5150(Y)	8,25
302NS93032	2NS93032	DV-5150(M)	8,25

Part.No. 部品番号	Alternative. 代替部品番号	Description 部品名称	Fig.No.
302NS93042	2NS93042	DV-5150(C)	8,25
302NS94010	2NS94010	PARTS SWITCHING REGULATOR 100V SP	14
302NS94020	2NS94020	PARTS SWITCHING REGULATOR 230V SP	14
302NS94050	2NS94050	PARTS PWB ASSY EXIT SP	5
302NS9J012	2NS9J012	DV-5150(K)(J)	8,25
302NS9J022	2NS9J022	DV-5150(Y)(J)	8,25
302NS9J032	2NS9J032	DV-5150(M)(J)	8,25
302NS9J042	2NS9J042	DV-5150(C)(J)	8,25
302NT06040	2NT06040	HOLDER RETARD A	3
302NT46010	2NT46010	CONN.CORD ASSY S03927 MAIN-LVU	19
302NT46070	2NT46070	CONN.CORD ASSY S03968 LVU-HEATER CONNECT	19
302NT93120	2NT93120	DR-5150	12
302NT94061	2NT94061	PARTS RETARD ASSY SP	3,25
302NV02030	2NV02030	ARM ISU LOWER	1
302NV02040	2NV02040	ARM ISU UPPER	1
302NV02050	2NV02050	PIN ARM ISU	1
302NV02120	2NV02120	SPRING-TORSION ISU A	1
302NV02130	2NV02130	SPRING-TORSION ISU B	1
302NV04020	2NV04020	LID TOP MFP	1
302NV04040	2NV04040	COVER RIGHT	1
302NV04060	2NV04060	COVER LEFT UPPER	1
302NV04070	2NV04070	COVER RIGHT UPPER	1
302NV04080	2NV04080	COVER RIGHT UPPER B	1
302NV04110	2NV04110	COVER CONNECTOR	1
302NV04120	2NV04120	SHEET RIGHT COVER	1
302NV04140	2NV04140	COVER INNER LEFT	1
302NV04150	2NV04150	COVER INNER RIGHT	1
302NV04160	2NV04160	COVER REAR UPPER	1
302NV04210	2NV04210	DUCT LID TOP MFP	1
302NV04310	2NV04310	COVER ISU LEFT	1
302NV04320	2NV04320	COVER ISU RIGHT	1
302NV05010	2NV05010	PANEL OPERATION	15
302NV05030	2NV05030	SHEET OPE ENG	15
302NV05040	2NV05040	SHEET OPE GER	24
302NV05050	2NV05050	SHEET OPE FRA	24
302NV05060	2NV05060	SHEET OPE ITA	24
302NV05070	2NV05070	SHEET OPE SPA	24
302NV05080	2NV05080	SHEET OPE POR	24
302NV05090	2NV05090	SHEET OPE DUT	24
302NV05100	2NV05100	SHEET OPE RUS	24
302NV17030	2NV17030	HOOK ISU	16
302NV17090	2NV17090	RAIL LID TOP	16
302NV18010	2NV18010	LOCK ISU C	17
302NV34010	2NV34010	LABEL PRODUCT NAME	1
302NV46020	2NV46020	CONN.CORD ASSY S04064 ENGINE-PF	22
302NV46031	2NV46031	CONN.CORD ASSY S04065 MAIN-CCD	23
302NV46040	2NV46040	CONN.CORD ASSY S04066 MAIN-DP POWER	23
302NV46050	2NV46050	CONN.CORD ASSY S04067 MAIN-DP SIG	23
302NV46060	2NV46060	CONN.CORD ASSY S04078 MAIN-EXIT	19
302NV46070	2NV46070	CONN.CORD ASSY S04079 ENGINE-EXIT FAN	21
302NV93011	2NV93011	CT-5141	2

Part.No. 部品番号	Alternative. 代替部品番号	Description 部品名称	Fig.No.
302NV93020	2NV93020	PARTS ISU ASSY SP	16
302NV93032	2NV93032	PARTS DP ASSY SP	17
302NV94010	2NV94010	PARTS DC MOTOR ASSY SP	13
302NV94020	2NV94020	PARTS PWB ASSY DP-DRIVE SP	4
302NV94030	2NV94030	PARTS PWB ASSY B PANEL MAIN SP	15
302NV94040	2NV94040	PARTS PWB ASSY MAIN SP	14
302NV94050	2NV94050	PARTS PWB ASSY MAIN EU SP	14
302NV94061	2NV94061	PARTS FRAME ISU TOP ASSY SP	16
302NV94070	2NV94070	PARTS REAR COVER 250 MFP ASSY SP	5
302NV94080	2NV94080	PARTS PANEL UNIT B SP	15
302NW05010	2NW05010	PANEL OPERATION	15
302NW05020	2NW05020	SHEET OPE	15
302NW05030	2NW05030	SHEET OPE ENG	15
302NW05040	2NW05040	SHEET OPE GER	24
302NW05050	2NW05050	SHEET OPE FRA	24
302NW05060	2NW05060	SHEET OPE ITA	24
302NW05070	2NW05070	SHEET OPE SPA	24
302NW05080	2NW05080	SHEET OPE POR	24
302NW05090	2NW05090	SHEET OPE DUT	24
302NW05100	2NW05100	SHEET OPE RUS	24
302NW34010	2NW34010	LABEL PRODUCT NAME	1
302NW46010	2NW46010	CONN.CORD ASSY S04049 MAIN-EKUJO	23
302NW94010	2NW94010	PARTS PWB ASSY B PANEL MAIN SP	15
302NW94020	2NW94020	PARTS PWB ASSY EKUJO CONNECT SP	14
302NW94030	2NW94030	PARTS PWB ASSY MAIN SP	14
302NW94040	2NW94040	PARTS PWB ASSY MAIN EU SP	14
302NW94050	2NW94050	PARTS PANEL UNIT B SP	15
302NW94060	2NW94060	PARTS PWB ASSY MAIN JP SP	14
302NY05020	2NY05020	LABEL OPERATION LEFT 3IN1 E	15
302NY05040	2NY05040	LABEL OPERATION LEFT 3IN1 GER	24
302NY05050	2NY05050	LABEL OPERATION LEFT 3IN1 FRA	24
302NY05060	2NY05060	LABEL OPERATION LEFT 3IN1 ITA	24
302NY05070	2NY05070	LABEL OPERATION LEFT 3IN1 SPA	24
302NY05080	2NY05080	LABEL OPERATION LEFT 3IN1 POR	24
302NY05100	2NY05100	LABEL OPERATION LEFT 3IN1 RUS	24
302NY05140	2NY05140	LABEL OPERATION RIGHT 3IN1 E	15
302NY05150	2NY05150	LABEL OPERATION RIGHT 3IN1 GER	24
302NY05160	2NY05160	LABEL OPERATION RIGHT 3IN1 FRA	24
302NY05170	2NY05170	LABEL OPERATION RIGHT 3IN1 ITA	24
302NY05180	2NY05180	LABEL OPERATION RIGHT 3IN1 SPA	24
302NY05190	2NY05190	LABEL OPERATION RIGHT 3IN1 POR	24
302NY05200	2NY05200	LABEL OPERATION RIGHT 3IN1 DUT	24
302NY05210	2NY05210	LABEL OPERATION RIGHT 3IN1 RUS	24
302P794010	2P794010	PARTS SENSOR OPT. SP	4,14
302P794060	2P794060	PARTS MOTOR EJECT SP	12
302PB02020	2PB02020	SPRING-TORSION ISU A	1
302PB34010	2PB34010	LABEL PRODUCT NAME	1
302PB46010	2PB46010	CONN.CORD ASSY S04050 PANEL HYPAS SIG	23
302PB46020	2PB46020	CONN.CORD ASSY S04051 PANEL HYPAS POWER	23
302PB46030	2PB46030	CONN.CORD ASSY S04052 MAIN-PANEL USB	23
302PB46040	2PB46040	CONN.CORD ASSY S04053 MAIN-CARD READER	23

Part.No. 部品番号	Alternative. 代替部品番号	Description 部品名称	Fig.No.
302PB46050	2PB46050	CONN.CORD ASSY S04085 MAIN-STAP CONNECT	19
302PB46060	2PB46060	CONN.CORD ASSY S04088 H PANEL FG	15
302PB93012	2PB93012	FK-5150	11,25
302PB93022	2PB93022	FK-5151	11,25
302PB93032	2PB93032	FK-5152	11,25
302PB94010	2PB94010	PARTS PWB ASSY MAIN SP	14
302PB94020	2PB94020	PSRTA PWB ASSY MAIN EU SP	14
302PB94030	2PB94030	PARTS LCD UNIT H SP	15
302PC34010	2PC34010	LABEL PRODUCT NAME	1
302PC94010	2PC94010	PARTS PWB ASSY H PANEL MAIN SP	15
302PC94020	2PC94020	PARTS PWB ASSY H PANEL KEY-R SP	15
302PC94030	2PC94030	PARTS PWB ASSY MAIN SP	14
302PC94040	2PC94040	PARTS PWB ASSY MAIN EU SP	14
302PC94050	2PC94050	PARTS PWB ASSY MAIN JP SP	14
302PC94080	2PC94080	PARTS PWB ASSY H PANEL MAIN JP SP	15
302PL94021	2PL94021	PARTS FAX UNIT E SP	18
302PL94030	2PL94030	PARTS FAX UNIT J SP	18
302PL94040	2PL94040	PARTS FAX UNIT U SP	18
302PL94050	2PL94050	PARTS FAX UNIT AS SP	18
302R494420	2R494420	PARTS PULLEY PICKUP ASSY SP	25
302R494430	2R494430	PARTS PULLEY PAPER FEED ASSY SP	25
303LJ94070	3LJ94070	PARTS PLATE ORIGINAL SP	17
303MH04040	3MH04040	PIN COVER	13
303NB94040	3NB94040	PARTS MOTOR-PM MOVING SP	12
303NW94040	3NW94040	PARTS SENSOR OPT. SP	13
3V2LV04180	2LV04180	KEY SW	1
3V2NM05010	2NM05010	COVER OPERATION RIGHT	15
3V2NM05020	2NM05020	COVER OPERATION LEFT	15
3V2NM05040	2NM05040	COVER LCD LOWER	15
3V2NM05050	2NM05050	COVER PANEL RIGHT	15
3V2NM05060	2NM05060	COVER PANEL LEFT	15
3V2NM05160	2NM05160	LID OPERATION LEFT	15
3V2NM05170	2NM05170	LID OPERATION RIGHT	15
3V2NM05220	2NM05220	LEVER LCD	15
3V2NM18260	2NM18260	ACTUATOR TIMING	17
3V2NM18420	2NM18420	COVER REAR	17
3V2NM18430	2NM18430	COVER PF	17
3V2NM18750	2NM18750	ACTUATOR ORIGINAL	17
3V2NM18790	2NM18790	ACTUATOR PF	17
3V2NM46130	2NM46130	CONN.CORD ASSY S03840 CCD-LED	23,23
3V2NM46140	2NM46140	CONN.CORD ASSY S03841 CCD-HP	23,23
3V2NM46290	2NM46290	CONN.CORD ASSY S03869 BACKLIGHT	23
3V2NV18030	2NV18030	COVER FRONT	17
3V2NV46100	2NV46100	CONN.CORD ASSY S04068 MAIN-DP UNIT	23,23
3V2NY05030	2NY05030	COVER PANEL LEFT 3IN1	15
3V2NZ05010	2NZ05010	COVER OPERATION	15
3V2NZ05180	2NZ05180	LID OPERATION SHEET	15
3V2PB05010	2PB05010	COVER LCD UPPER	15
7AAACC.JP+15H007	AA150200	AC CORD ASSY JP	14
7SM010104+++H01	SM055200	SW.MICRO	14
7SP0100004+H01	SP136500	SW.PUSH	13,14

PF-5100

First Edition
January 2015

—— CONTENTS / 目次 ——

FIG. 1	Paper Feed Section	2
FIG. 2	Paper Cassette	4
FIG. 3	Wire Section.....	6

• INDEX / 索引.....	8
-------------------	---

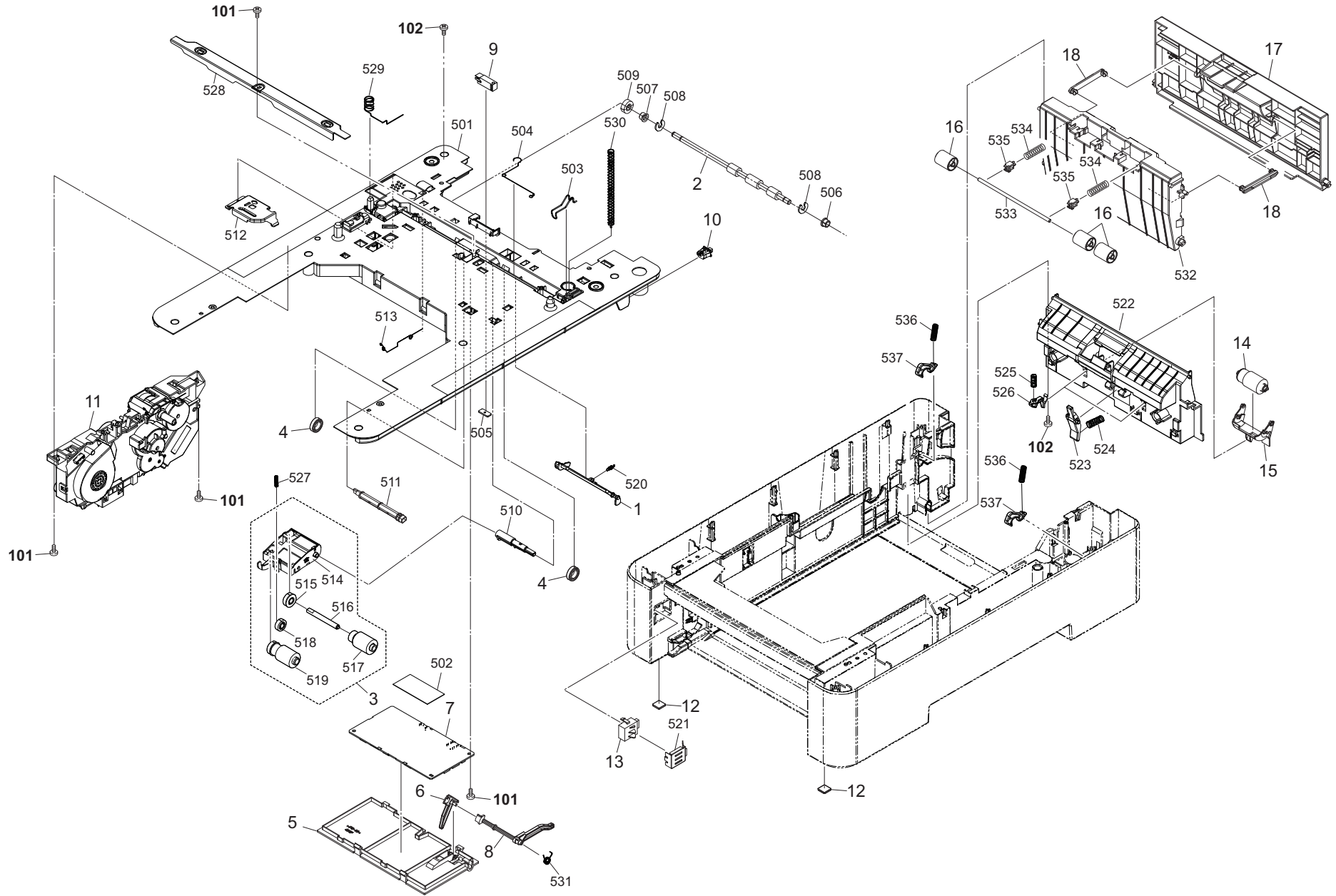


FIG. 1 Paper Feed Section

Ref. No. 番号	Part.No. 部品番号	Alternative. 代替部品番号	Description 部品名称	Notes 備考	Quantity 個数
1	302NR06230	2NR06230	LEVER PAPER		1
2	303K806080	3K806080	ROLLER MIDDLE ASSY		1
3	303K894020	3K894020	HOLDER FEED ASSY SP		1
4	303M906060	3M906060	PULLEY FEED SIDE		2
5	303NA02050	3NA02050	COVER TOP		1
6	303NA06040	3NA06040	ACTUATOR PE		1
7	303PK94010	3PK94010	PARTS PWB ASSY PF MAIN SP		1
8	303PK06030	3PK06030	ACTUATOR PE RELEASE		1
9	303NW94060	3NW94060	PARTS SENSOR OPT. SP		1
10	7SP01000004+H01	SP136500	SW.PUSH		1
11	303PK94020	3PK94020	PARTS DRIVE UNIT SP		1
12	302HN02611	2HN02611	FOOT		2
13	302HN44180	2HN44180	SWITCH SIZE		1
14	3302NG94110	2NG94110	PARTS ROLLER RETARD ASSY SP		1
15	302NR06030	2NR06030	HOLDER RETARD		1
16	303K809130	3K809130	PULLEY MID IDLE		3
17	303NA04010	3NA04010	COVER REAR		1
18	3A504020	3A504020	COUPLER,RELEASE		2
101	7BB202308H	BB105690	+TP-FLAT T.T P SCREW 3X8		
102	7BB200410H	BB105700	+BIND T.T P SCREW 4X10		

• Parts with a Ref.No. of 500 and above in the illustration indicate they are not selected for service parts.

・イラスト中で 500 番台の Ref 番号が付いている部品はサービスパーツに選定されていません。

FIG. 2 Paper Cassette

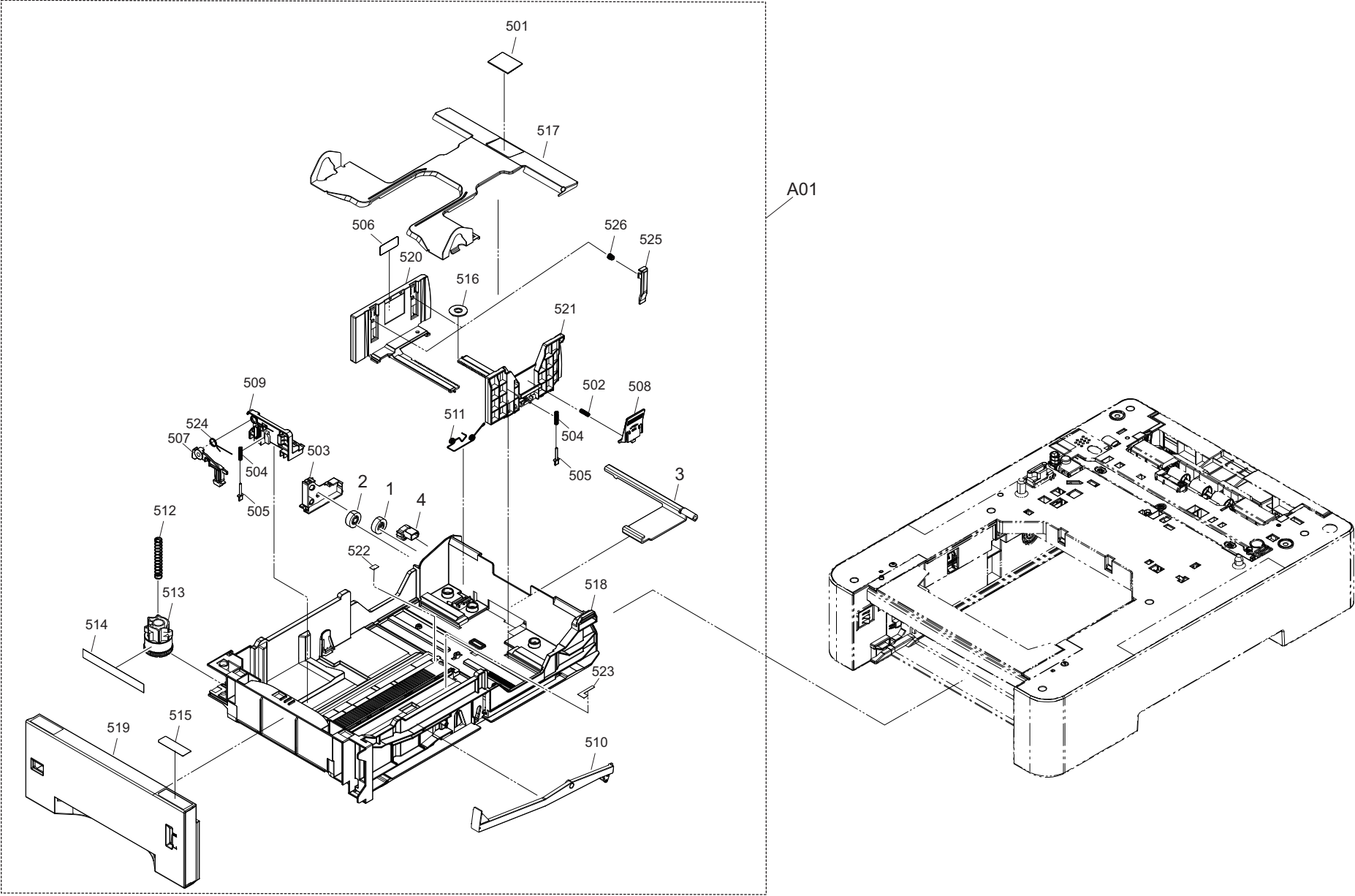
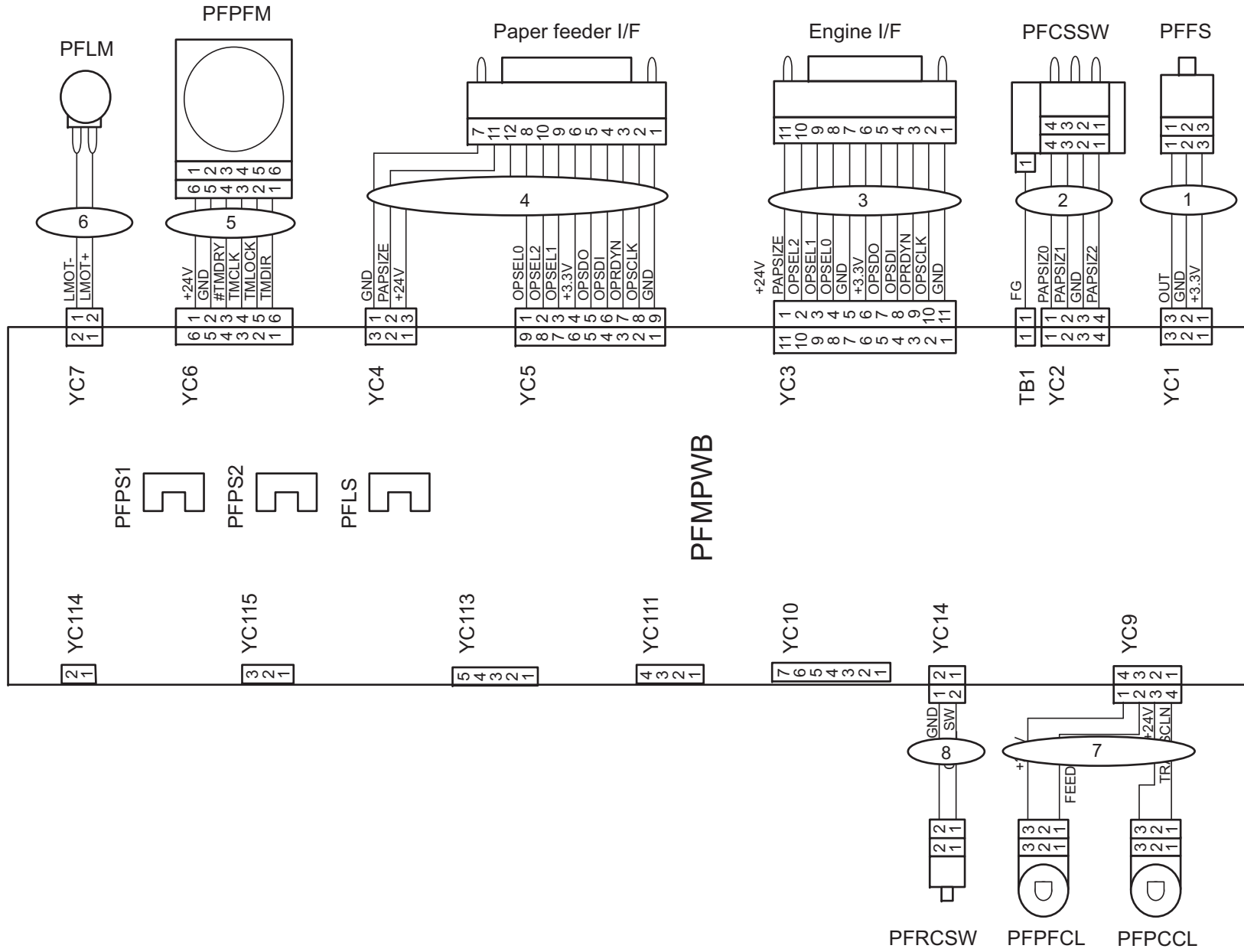


FIG. 3 Wire Section



KYOCERA Document Solutions America, Inc.**Headquarters**

225 Sand Road,
Fairfield, New Jersey 07004-0008, USA
Phone: +1-973-808-8444
Fax: +1-973-882-6000

Latin America

8240 NW 52nd Terrace Dawson Building, Suite 100
Miami, Florida 33166, USA
Phone: +1-305-421-6640
Fax: +1-305-421-6666

KYOCERA Document Solutions Canada, Ltd.

6120 Kestrel Rd., Mississauga, ON L5T 1S8,
Canada
Phone: +1-905-670-4425
Fax: +1-905-670-8116

KYOCERA Document Solutions**Mexico, S.A. de C.V.**

Calle Arquimedes No. 130, 4 Piso, Colonia Polanco
Chapultepec, Delegacion Miguel Hidalgo,
Distrito Federal, C.P. 11560, México
Phone: +52-555-383-2741
Fax: +52-555-383-7804

KYOCERA Document Solutions Brazil, Ltda.

Alameda África, 545, Pólo Empresarial Consbrás,
Tamboré, Santana de Parnaíba, State of São Paulo,
CEP 06543-306, Brazil
Phone: +55-11-2424-5353
Fax: +55-11-2424-5304

KYOCERA Document Solutions Chile SpA

Jose Ananias 505, Macul. Santiago, Chile
Phone: +562-2350-7000
Fax: +562-2350-7150

KYOCERA Document Solutions**Australia Pty. Ltd.**

Level 3, 6-10 Talavera Road North Ryde N.S.W, 2113,
Australia
Phone: +61-2-9888-9999
Fax: +61-2-9888-9588

KYOCERA Document Solutions**New Zealand Ltd.**

Ground Floor, 19 Byron Avenue, Takapuna, Auckland,
New Zealand
Phone: +64-9-415-4517
Fax: +64-9-415-4597

KYOCERA Document Solutions Asia Limited

13/F.,Mita Centre, 552-566, Castle Peak Road Tsuen
Wan, New Territories, Hong Kong
Phone: +852-2496-5678
Fax: +852-2610-2063

KYOCERA Document Solutions**(China) Corporation**

8F, No. 288 Nanjing Road West, Huangpu District,
Shanghai,200003, China
Phone: +86-21-5301-1777
Fax: +86-21-5302-8300

KYOCERA Document Solutions**(Thailand) Corp., Ltd.**

335 Ratchadapisek Road, Wongsawang, Bangsue,
Bangkok 10800,
Thailand
Phone: +66-2-586-0333
Fax: +66-2-586-0278

KYOCERA Document Solutions**Singapore Pte. Ltd.**

12 Tai Seng Street #04-01A,
Luxasia Building, Singapore 534118
Phone: +65-6741-8733
Fax: +65-6748-3788

KYOCERA Document Solutions**Hong Kong Limited**

16/F.,Mita Centre, 552-566, Castle Peak Road Tsuen
Wan, New Territories, Hong Kong
Phone: +852-3582-4000
Fax: +852-3185-1399

KYOCERA Document Solutions**Taiwan Corporation**

6F., No.37, Sec. 3, Minquan E. Rd.,
Zhongshan Dist., Taipei 104, Taiwan R.O.C.
Phone: +886-2-2507-6709
Fax: +886-2-2507-8432

KYOCERA Document Solutions Korea Co., Ltd.

#10F Daewoo Foundation Bldg 18, Toegye-ro, Jung-gu,
Seoul, Korea
Phone: +822-6933-4050
Fax: +822-747-0084

KYOCERA Document Solutions**India Private Limited**

Second Floor, Centrum Plaza, Golf Course Road,
Sector-53, Gurgaon, Haryana 122002, India
Phone: +91-0124-4671000
Fax: +91-0124-4671001

KYOCERA Document Solutions Europe B.V.

Bloemlaan 4, 2132 NP Hoofddorp,
The Netherlands
Phone: +31-20-654-0000
Fax: +31-20-653-1256

KYOCERA Document Solutions Nederland B.V.

Beechavenue 25, 1119 RA Schiphol-Rijk,
The Netherlands
Phone: +31-20-5877200
Fax: +31-20-5877260

KYOCERA Document Solutions (U.K.) Limited

Eldon Court, 75-77 London Road,
Reading, Berkshire RG1 5BS,
United Kingdom
Phone: +44-118-931-1500
Fax: +44-118-931-1108

KYOCERA Document Solutions Italia S.p.A.

Via Monfalcone 15, 20132, Milano, Italy,
Phone: +39-02-921791
Fax: +39-02-92179-600

KYOCERA Document Solutions Belgium N.V.

Sint-Martinusweg 199-201 1930 Zaventem,
Belgium
Phone: +32-2-7209270
Fax: +32-2-7208748

KYOCERA Document Solutions France S.A.S.

Espace Technologique de St Aubin
Route de l'Orme 91195 Gif-sur-Yvette CEDEX,
France
Phone: +33-1-69852600
Fax: +33-1-69853409

KYOCERA Document Solutions Espana, S.A.

Edificio Kyocera, Avda. de Manacor No.2,
28290 Las Matas (Madrid), Spain
Phone: +34-91-6318392
Fax: +34-91-6318219

© 2017 KYOCERA Document Solutions Inc.

 is a trademark of KYOCERA Corporation

KYOCERA Document Solutions Finland Oy

Atomitie 5C, 00370 Helsinki,
Finland
Phone: +358-9-47805200
Fax: +358-9-47805212

**KYOCERA Document Solutions
Europe B.V., Amsterdam (NL) Zürich Branch**

Hohlstrasse 614, 8048 Zürich,
Switzerland
Phone: +41-44-9084949
Fax: +41-44-9084950

**KYOCERA Bilgitas Document Solutions
Turkey A.S.**

Gülbahar Mahallesi Otello Kamil Sk. No:6 Mecidiyeköy
34394 Şişli İstanbul, Turkey
Phone: +90-212-356-7000
Fax: +90-212-356-6725

**KYOCERA Document Solutions
Deutschland GmbH**

Otto-Hahn-Strasse 12, 40670 Meerbusch,
Germany
Phone: +49-2159-9180
Fax: +49-2159-918100

KYOCERA Document Solutions Austria GmbH

Wienerbergstraße 11, Turm A, 18. OG, 1100 Wien,
Austria
Phone: +43-1-863380
Fax: +43-1-86338-400

KYOCERA Document Solutions Nordic AB

Esbogatan 16B 164 75 Kista, Sweden
Phone: +46-8-546-550-00
Fax: +46-8-546-550-10

京セラドキュメントソリューションズ株式会社
京セラドキュメントソリューションズジャパン株式会社

 は京セラ株式会社の登録商標です。

KYOCERA Document Solutions Norge Nuf

Olaf Helsetsv. 6, 0619 Oslo, Norway
Phone: +47-22-62-73-00
Fax: +47-22-62-72-00

KYOCERA Document Solutions Danmark A/S

Ejby Industrivej 60, DK-2600 Glostrup,
Denmark
Phone: +45-70223880
Fax: +45-45765850

KYOCERA Document Solutions Portugal Lda.

Rua do Centro Cultural, 41 (Alvalade) 1700-106 Lisboa,
Portugal
Phone: +351-21-843-6780
Fax: +351-21-849-3312

**KYOCERA Document Solutions
South Africa (Pty) Ltd.**

KYOCERA House, Hertford Office Park,
90 Bekker Road (Cnr. Allandale), Midrand, South Africa
Phone: +27-11-540-2600
Fax: +27-11-466-3050

KYOCERA Document Solutions Russia LLC.

Building 2, 51/4, Schepkina St., 129110, Moscow,
Russia
Phone: +7(495)741-0004
Fax: +7(495)741-0018

KYOCERA Document Solutions Middle East

Dubai Internet City, Bldg. 17,
Office 157 P.O. Box 500817, Dubai,
United Arab Emirates
Phone: +971-04-433-0412

KYOCERA Document Solutions Inc.

2-28, 1-chome, Tamatsukuri, Chuo-ku
Osaka 540-8585, Japan
Phone: +81-6-6764-3555
<http://www.kyoceradocumentsolutions.com>