

LIMITED WARRANTY

The Little Tikes Company makes fun, high quality toys. We warrant to the original purchaser that this product is free of defects in materials or workmanship for one year* from the date of purchase (dated sales receipt is required for proof of purchase). At the sole election of The Little Tikes Company, the only remedies available under this warranty will be the replacement of the defective part or replacement of the product. This warranty is valid only if the product has been assembled and maintained per the instructions. This warranty does not cover abuse, accident, cosmetic issues such as fading or scratches from normal wear, or any other cause not arising from defects in material and workmanship. *The warranty period is three (3) months for daycare or commercial purchasers.

U.S.A and Canada: For warranty service or replacement part information, please visit our website at www.littletikes.com, call 1-800-321-0183 or write to: Consumer Service, The Little Tikes Company, 2180 Barlow Road, Hudson OH 44236, U.S.A. Some replacement parts may be available for purchase after warranty expires—contact us for details.

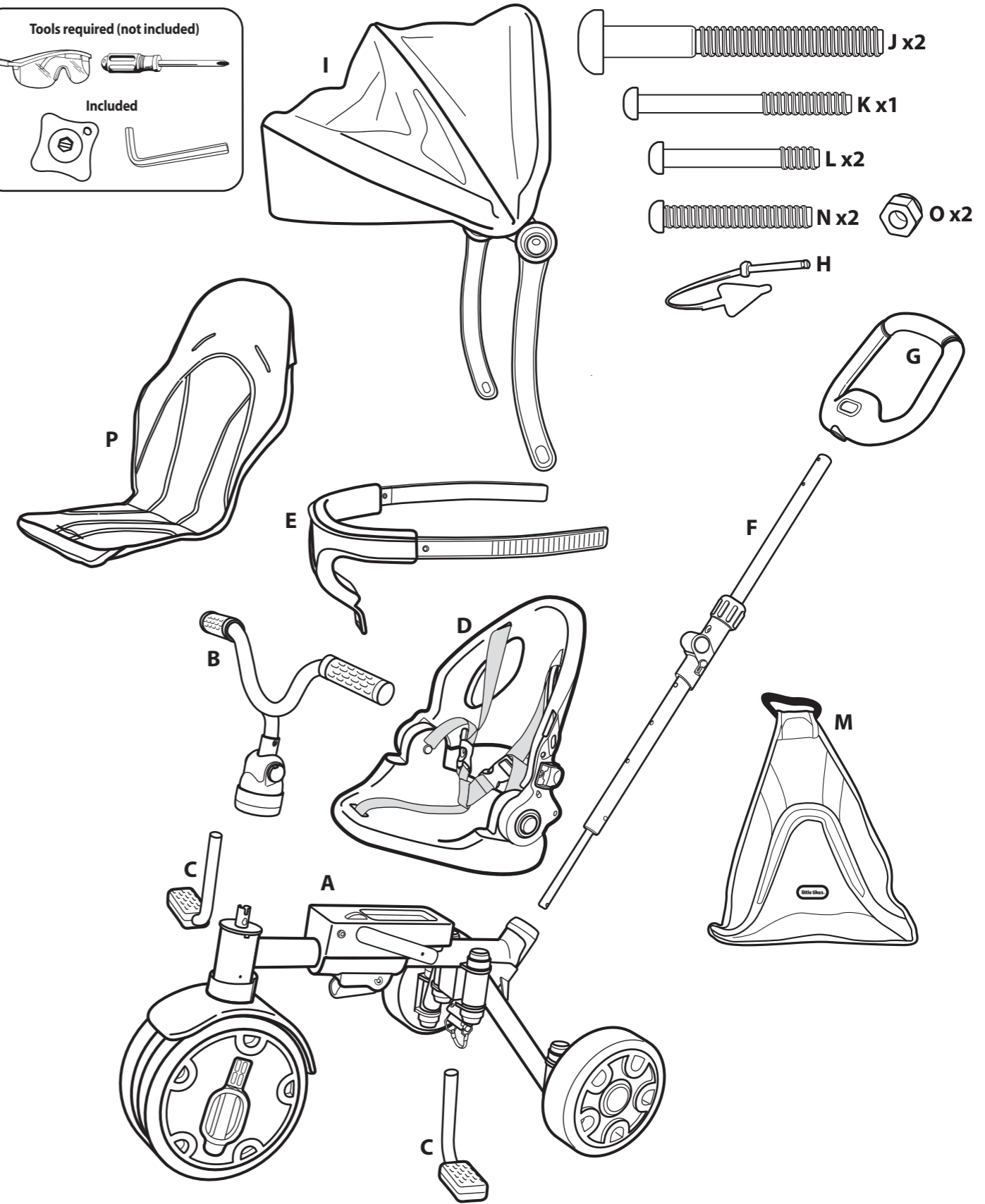
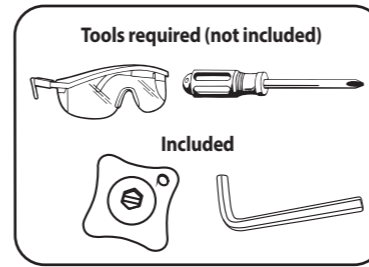
Outside U.S.A and Canada: Contact place of purchase for warranty service. This warranty gives you specific legal rights, and you may also have other rights, which vary from country/state to country/state. Some countries/states do not allow the exclusion or limitation of incidental or consequential damages, so the above limitation or exclusion may not apply to you.



4-in-1 Fold 'n Go™ Trike

643996C

AGES: 9 MONTHS - 5 YEARS
ADULT ASSEMBLY AND SUPERVISION REQUIRED.



Please keep this manual as it contains important information.



© The Little Tikes Company, an MGA Entertainment company. LITTLE TIKES® is a trademark of Little Tikes in the U.S. and other countries. All logos, names, characters, likenesses, images, slogans, and packaging appearance are the property of Little Tikes. Little Tikes Consumer Service 2180 Barlow Road Hudson, Ohio 44236 U.S.A. 1-800-321-0183 Printed in China

MGA Entertainment UK Ltd
50 Presley Way
Crownhill
Milton Keynes
MK8 0ES
Bucks, UK
0800 521 558

www.littletikes.com
www.littletikes.co.uk



Visit our website at www.littletikes.com to register your product and to enter our sweepstakes. (No purchase necessary)

Illustrations are for reference only. Styles may vary from actual contents.



**PLEASE READ INSTRUCTIONS
BEFORE ASSEMBLING AND OPERATING.**

Please save sales receipt for proof of purchase.

WARNING: ADULT ASSEMBLY REQUIRED.

- Read entire instructions carefully before assembling this product.

WARNING: ASSEMBLY

- Keep these instructions for future reference.
- Prior to assembly, this package contains small parts: hardware which is a choking hazard and may contain sharp edges and sharp points. Keep away from children until assembled.
- Ensure working area is free of danger. Always dispose of packaging material in such a way that it may not cause any harm. Plastic bags can be dangerous. To avoid suffocation, keep plastic bags away from babies and children.
- To prevent serious injury, children must not use the equipment until completely assembled.
- This product is intended for outdoor domestic family use only.
- This product is for private, residential use only (no commercial or public use).
- Adult assembly required. Choking hazard to children under the age of 3 years - contains small parts prior to assembly.

ASSEMBLY HINT

Assemble all parts together loosely at first. Check that assembly is correct, then tighten all screws.

WARNING: TO AVOID SERIOUS INJURY

- Continuous adult supervision required.
- Never use near motor vehicles.
- Never use near streets, swimming pools, hills, steps, or sloped driveways.
- Always wear closed shoes when using the tricycle.
- Never allow more than one rider on the tricycle.
- Instruct children on proper use of this product before allowing them to ride.
- This product is not to be used in a manner other than for which it is intended.
- It is recommended that rider always wear a properly fitted helmet that complies with U. S. Consumer Product Safety Commission (CPSC) standard 16 CFR 1203.
- Ride-on toys should be used with caution since skill is required in order to avoid falls or collisions which may cause injury to the user or third parties.
- DO NOT sit or ride on the Fold 'n Go Trike unless fully unfolded and seat is in locked position.
- Make sure the seat back is locked, either in the upright or folded position during use or storage.

WARNING! Not to be used by children over the age of five (5) years due to size limitation.

- Intended for children 9 months to 5 years.
- Maximum child's weight: 50 lbs. (23 kg).
- The maximum permissible load for bag: 2.2 lbs. (1 kg).

MAINTENANCE & CLEANING

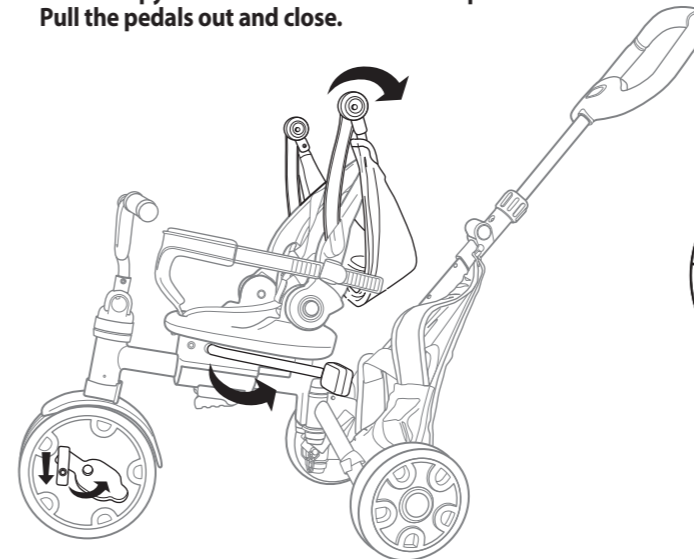
- Check all hardware during usage period and tighten as required. It is particularly important that this procedure be followed at the beginning of each season. If these checks are not carried out, the toy could overturn or otherwise become a hazard.
- Do not attempt to modify or repair this product. For help contact Little Tikes Consumer Service.
- Clean trike with a slightly damp cloth (cold water) and mild soap. Never use a corrosive or abrasive substance to clean the product.

DISPOSAL

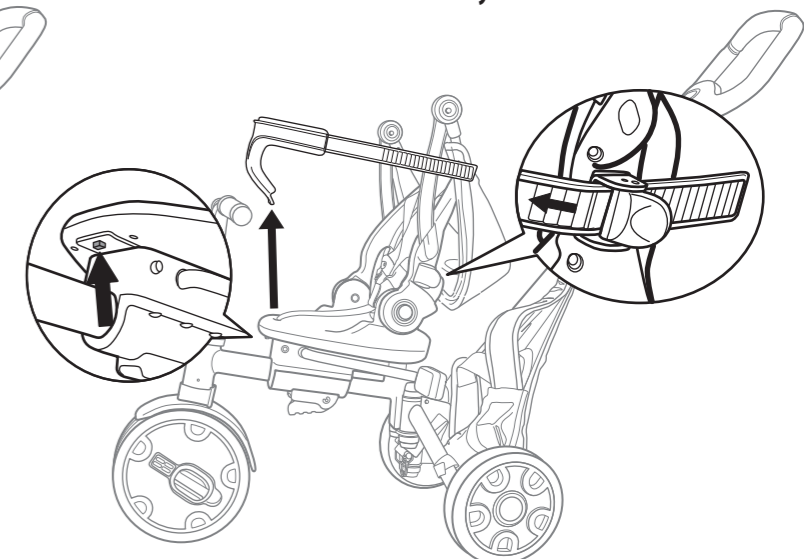
- Disassemble and dispose of equipment in such a manner that no hazardous conditions, such as but not limited to, small parts and sharp edges, exist at the time equipment is discarded.

FOLDING

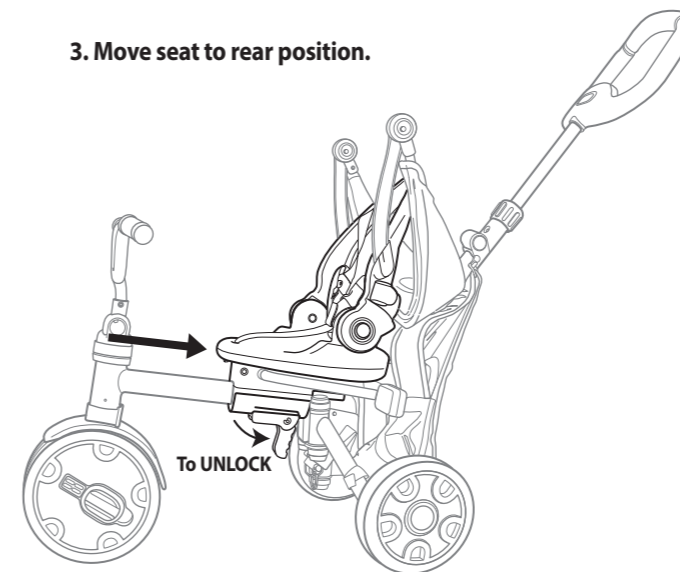
1. Fold canopy down. Push footrests to rear position. Pull the pedals out and close.



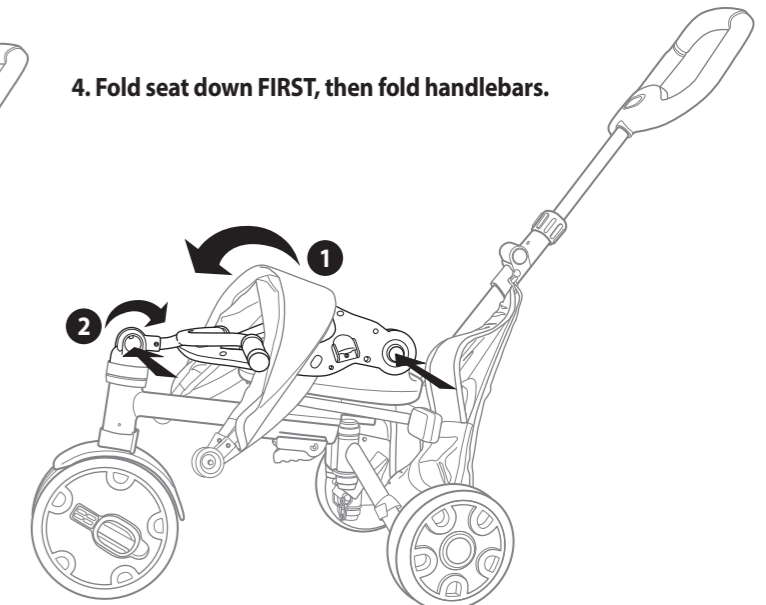
2. Remove safety bar.



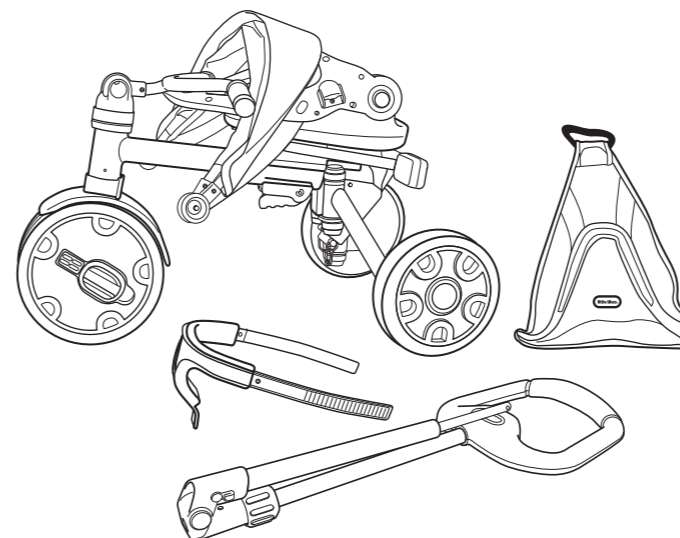
3. Move seat to rear position.



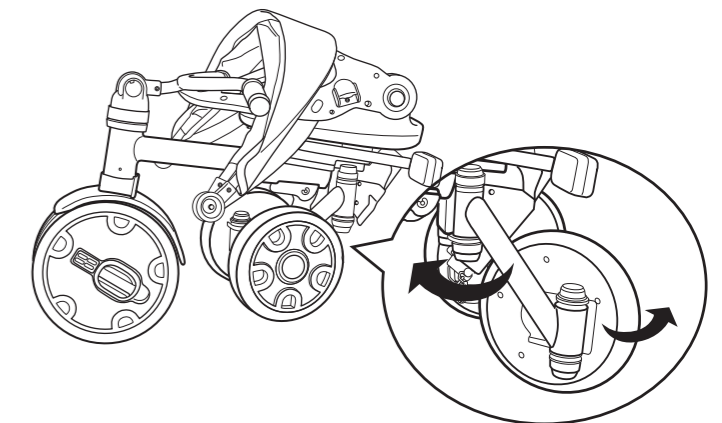
4. Fold seat down FIRST, then fold handlebars.



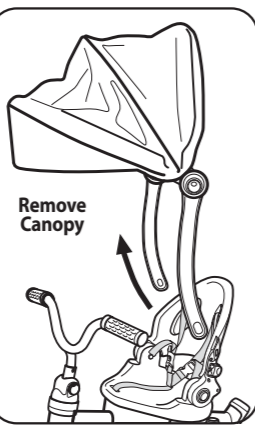
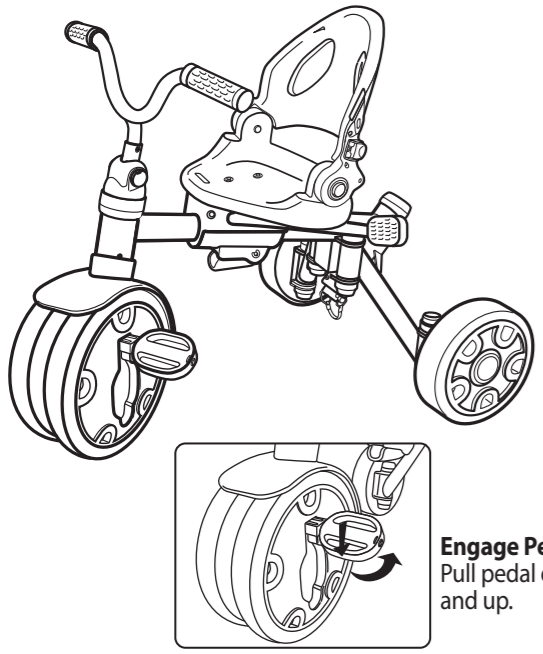
5. Remove bag. Remove handle and fold to store. (Reverse steps 10 - 12 for removing the handle. Refer to step 8 for folding.)



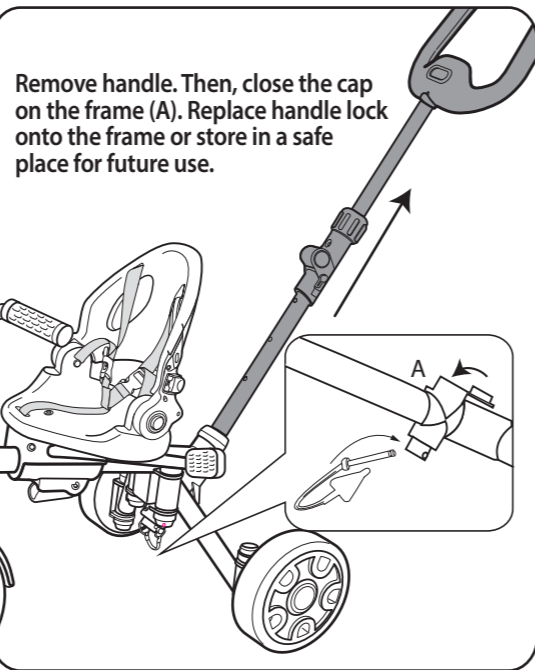
6. Fold in rear wheels and axles.



POSITION 4 - TRIKE



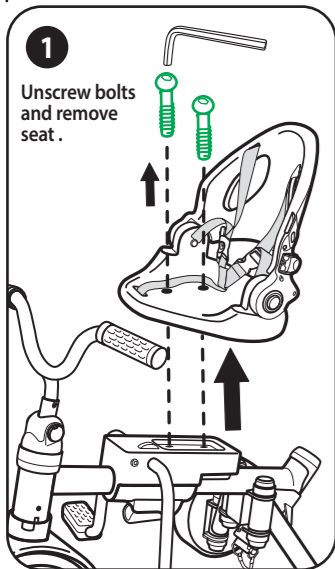
Remove Canopy



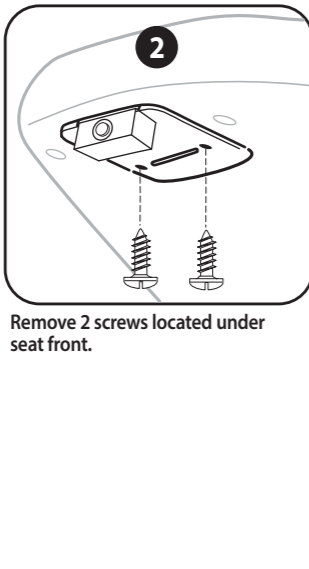
Remove handle. Then, close the cap on the frame (A). Replace handle lock onto the frame or store in a safe place for future use.

Engage Pedals
Pull pedal out and up.

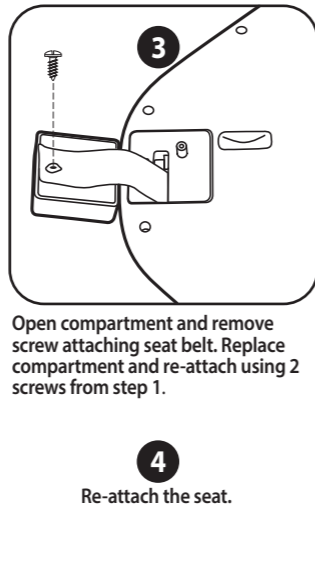
Remove seat belts



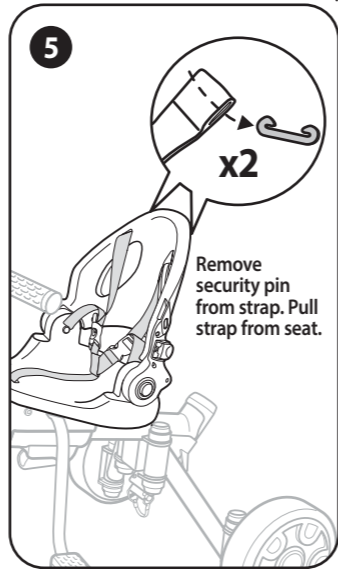
1
Unscrew bolts and remove seat.



2
Remove 2 screws located under seat front.

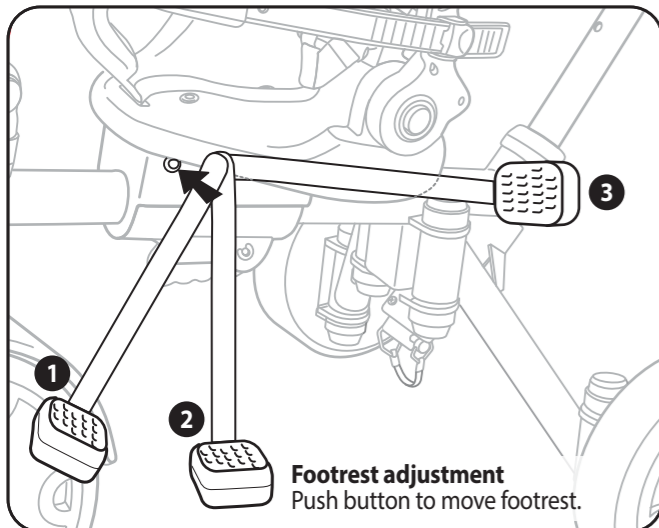


3
Open compartment and remove screw attaching seat belt. Replace compartment and re-attach using 2 screws from step 1.

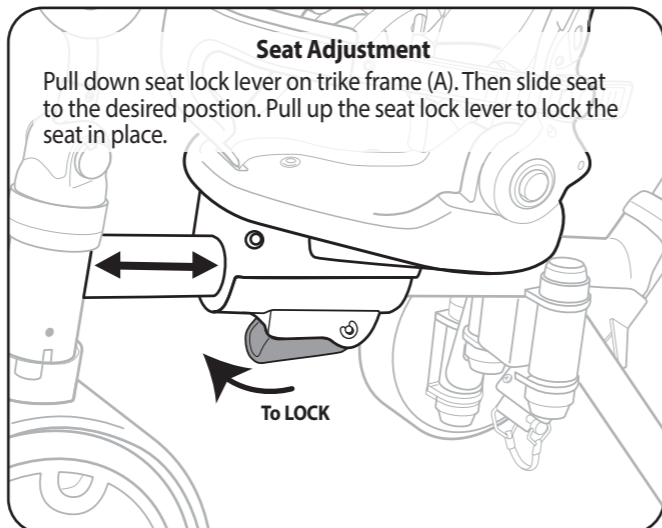


4
Remove security pin from strap. Pull strap from seat.

5
Re-attach the seat.



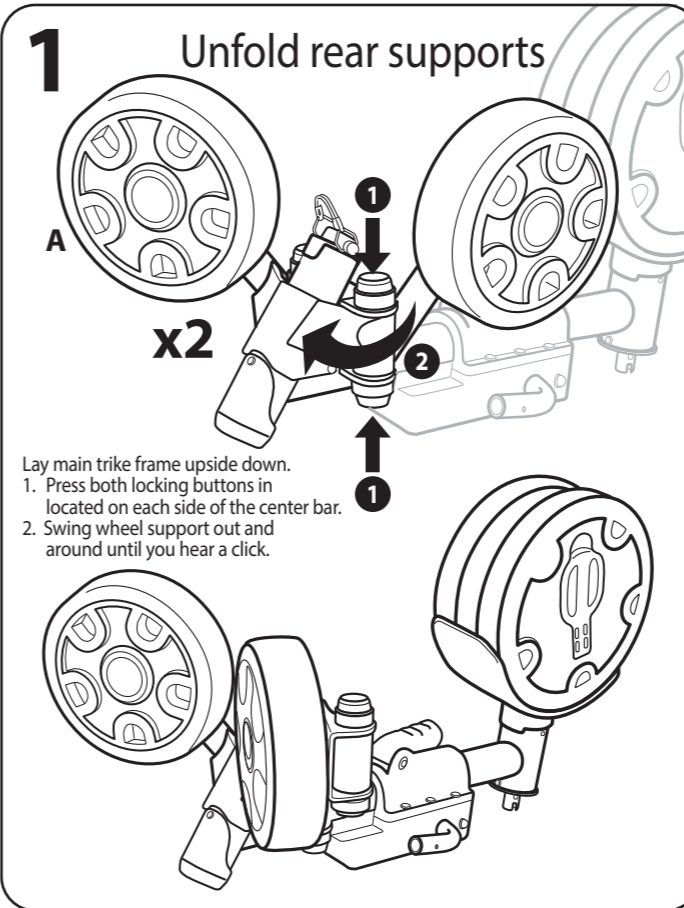
Footrest adjustment
Push button to move footrest.



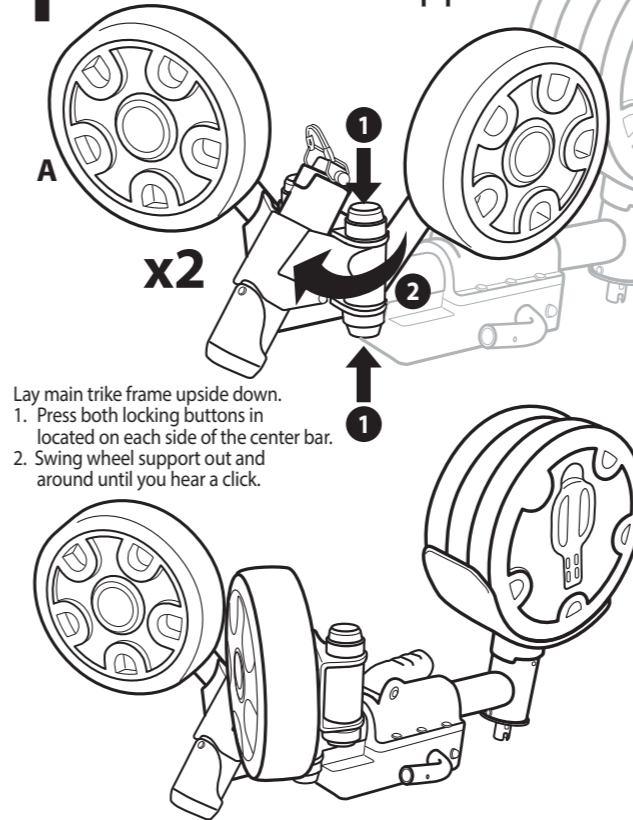
Seat Adjustment

Pull down seat lock lever on trike frame (A). Then slide seat to the desired position. Pull up the seat lock lever to lock the seat in place.

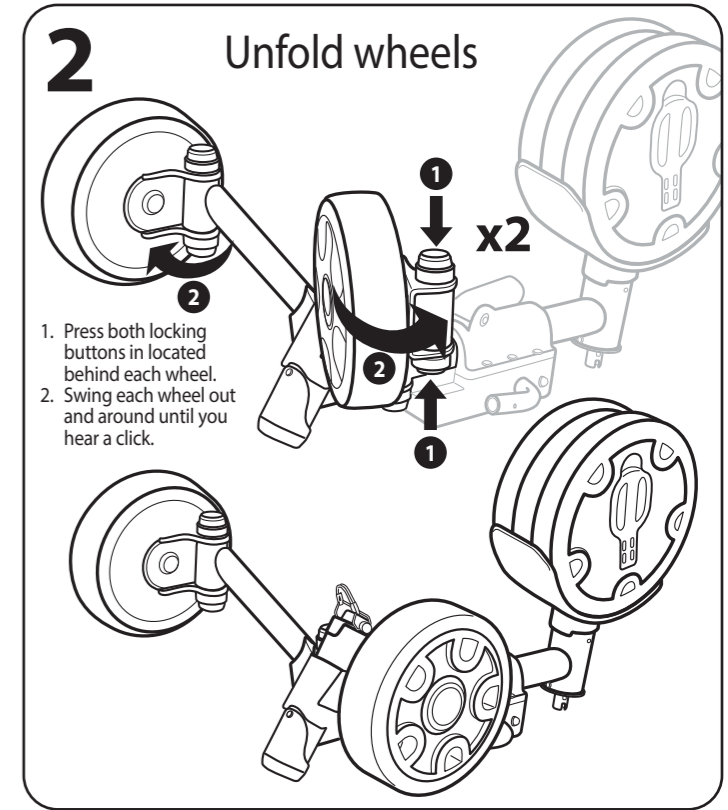
To LOCK



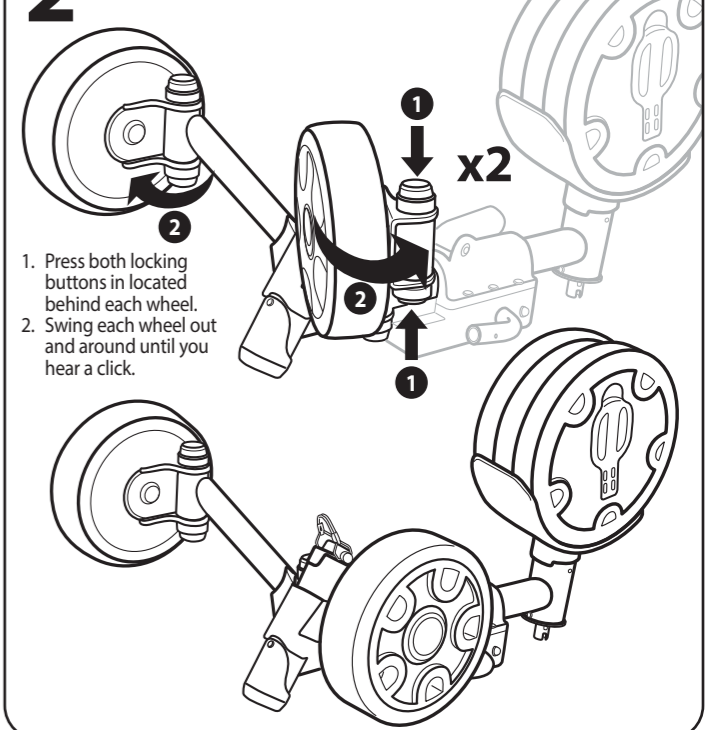
1 Unfold rear supports



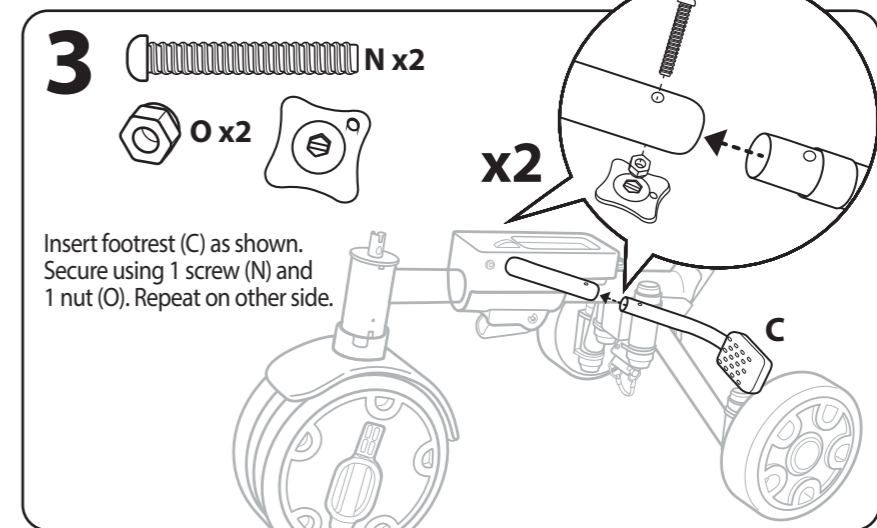
Lay main trike frame upside down.
1. Press both locking buttons in located on each side of the center bar.
2. Swing wheel support out and around until you hear a click.



2 Unfold wheels



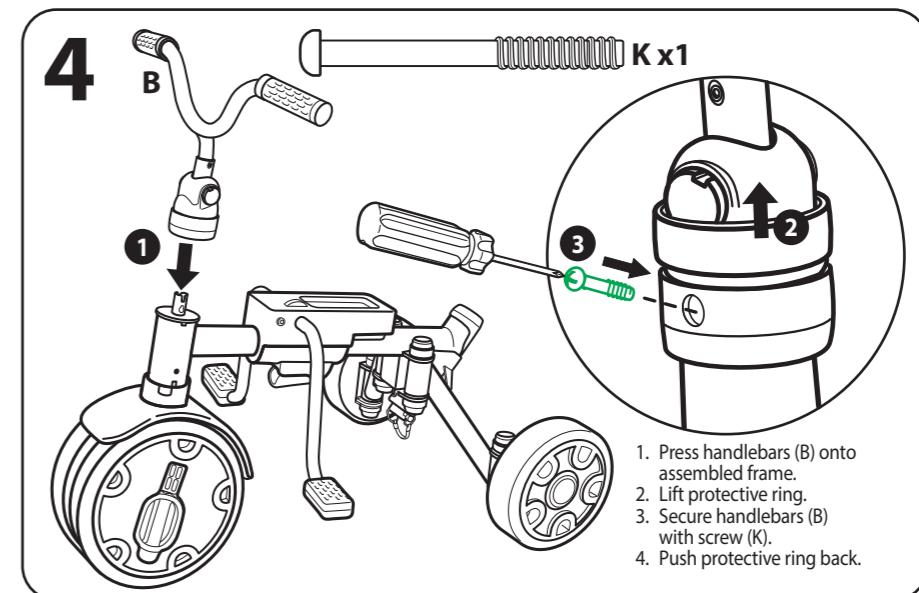
1. Press both locking buttons in located behind each wheel.
2. Swing each wheel out and around until you hear a click.



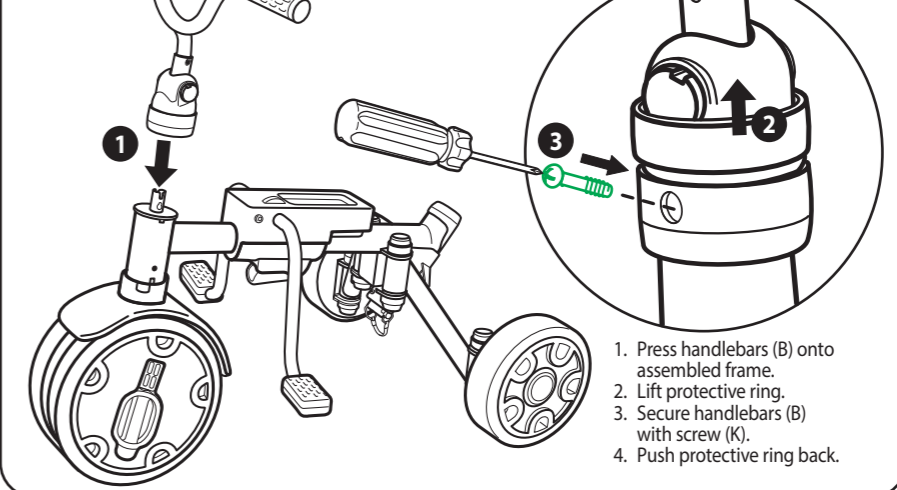
3

N x2
O x2

Insert footrest (C) as shown. Secure using 1 screw (N) and 1 nut (O). Repeat on other side.



4



1. Press handlebars (B) onto assembled frame.
2. Lift protective ring.
3. Secure handlebars (B) with screw (K).
4. Push protective ring back.

5

1. Fit seat (D) onto assembled frame.
2. Secure seat (D) with 2 screw (J).

J x2

6

1. Fit seat cushion (P) onto seat.
2. Thread seat belts through openings in seat cushion.

Secure seat cover around pegs under FRONT of seat.

Loop elastic around pegs under REAR of seat.

7

1. Push locking button forward (located under front of the seat) and insert safety bar (E).
2. Thread safety straps through each locking tab. Tab must be in open position.
3. Push tab in to lock.

POSITION 3 - LEARN

1. Push locking button forward (located under front of the seat) and pull up on safety bar.
2. Release locking tabs, and pull out straps.

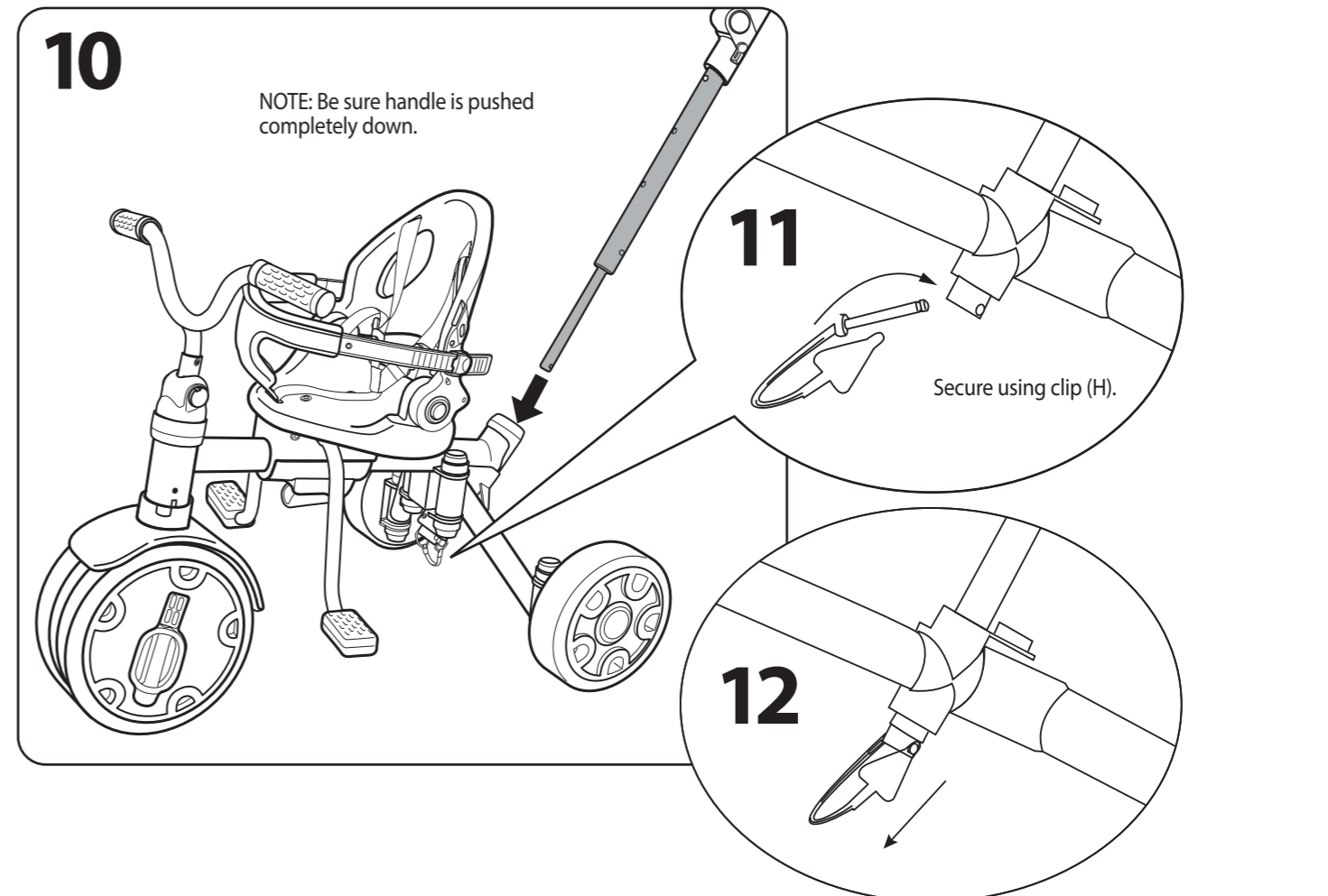
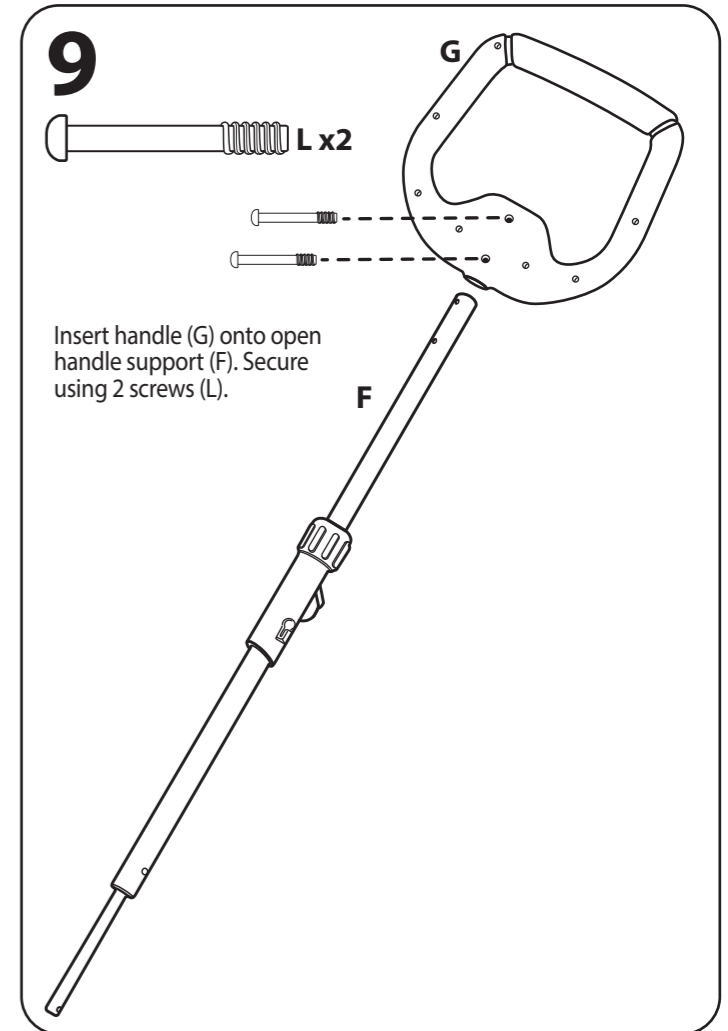
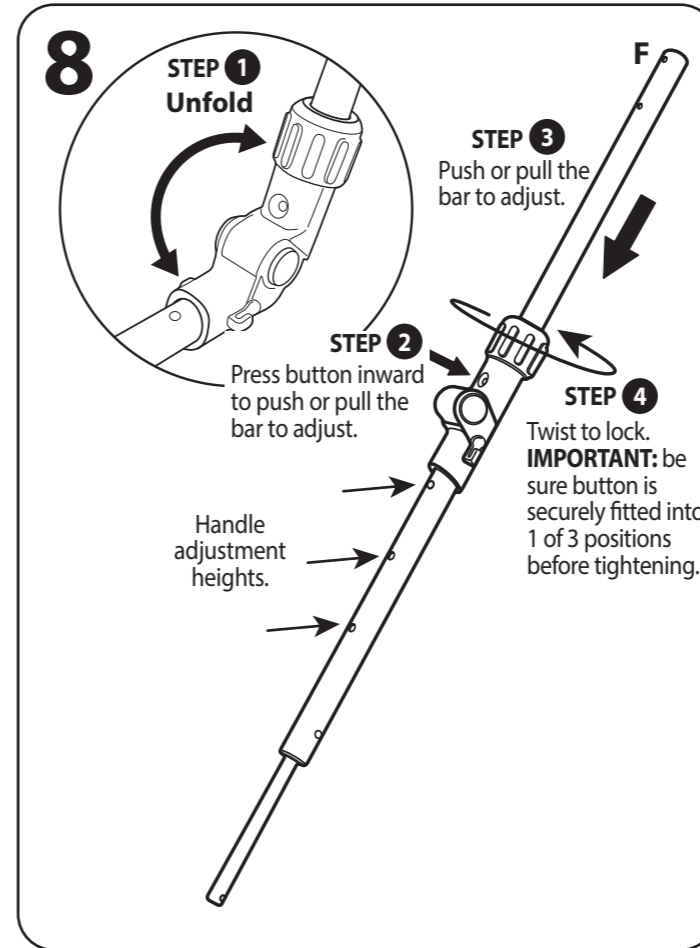
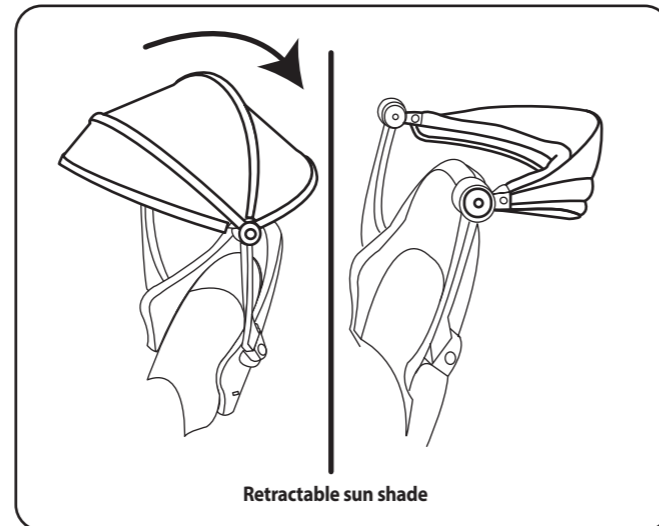
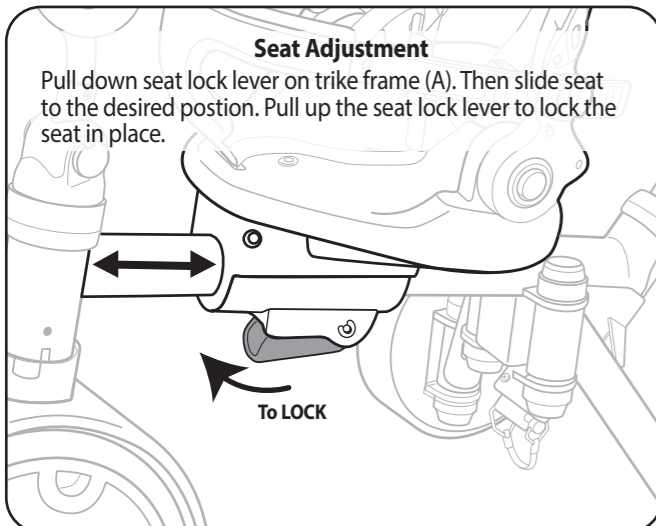
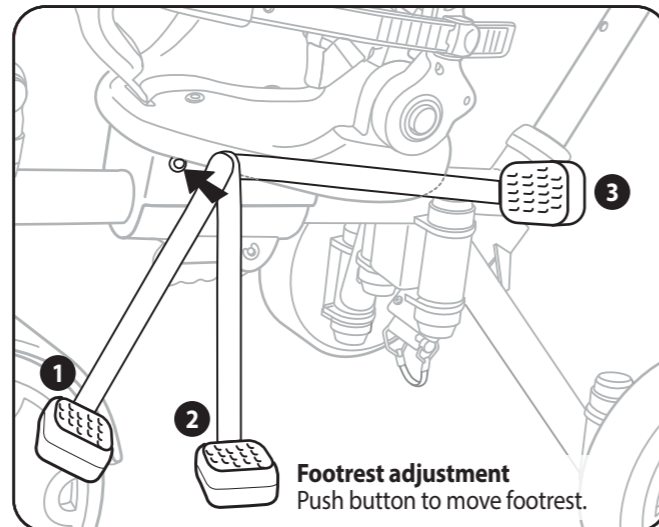
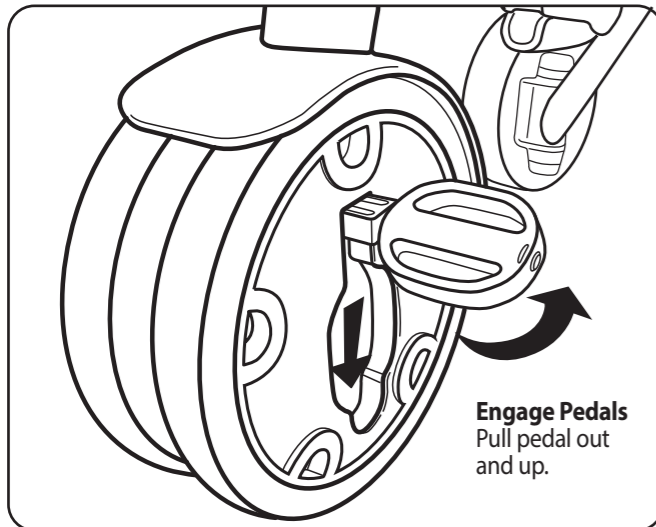
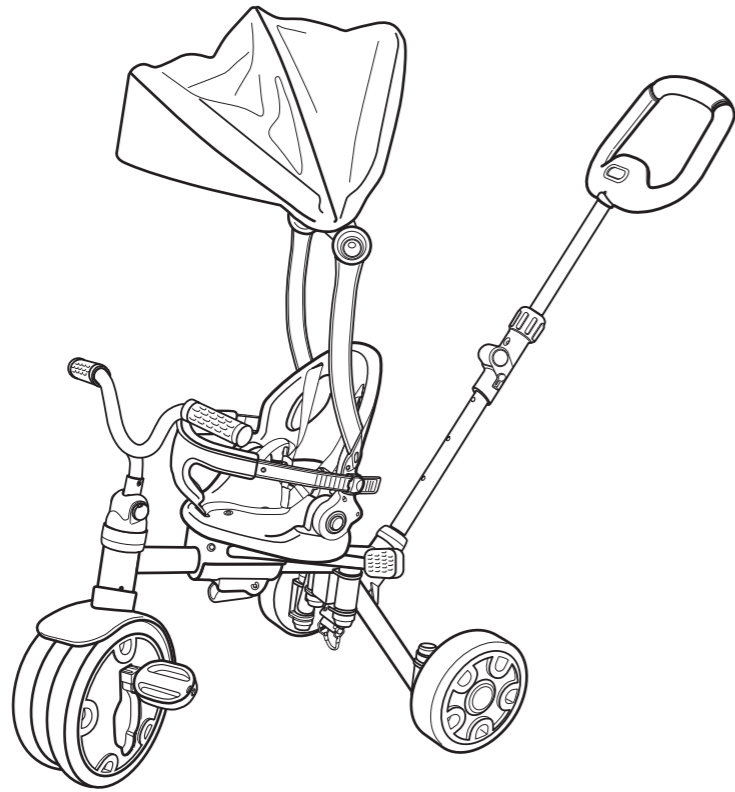
Engage Pedals
Pull pedal out and up.

Footrest adjustment
Push button to move footrest.

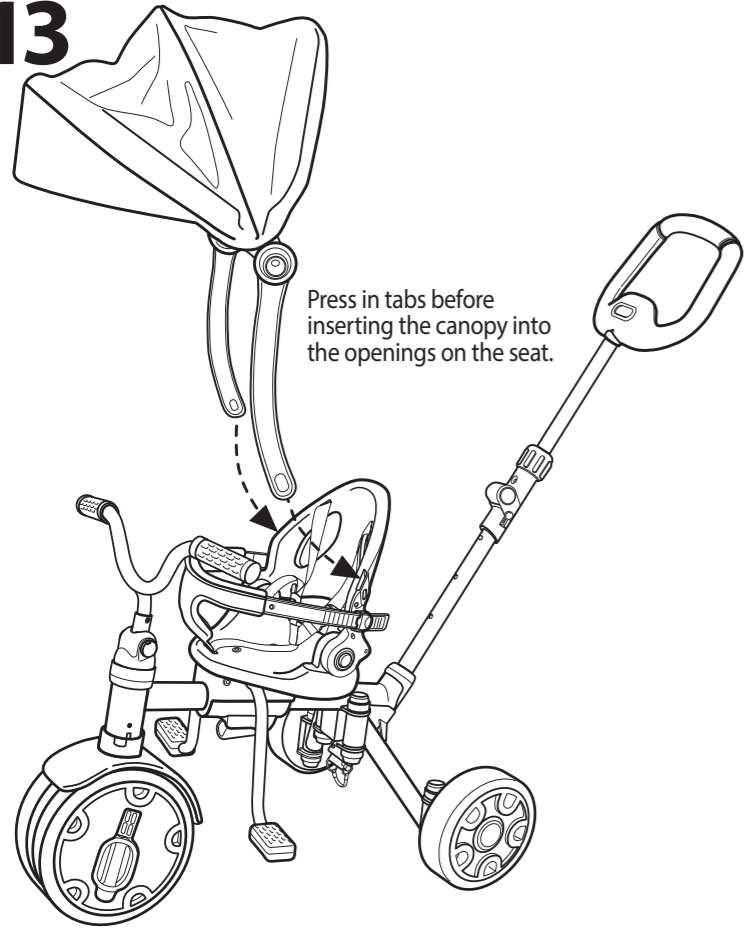
Seat Adjustment
Pull down seat lock lever on trike frame (A). Then slide seat to the desired position. Pull up the seat lock lever to lock the seat in place.

To LOCK

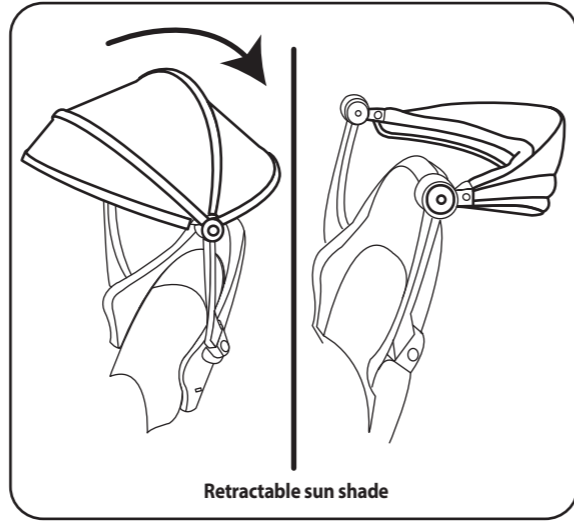
POSITION 2 - PEDAL



13

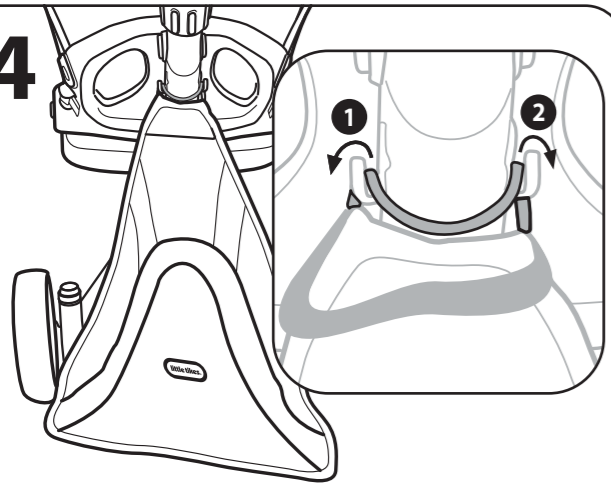


Press in tabs before inserting the canopy into the openings on the seat.



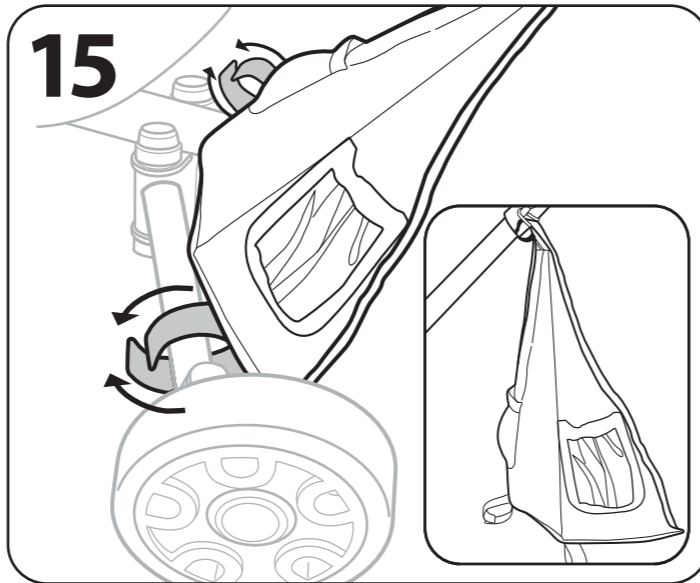
Retractable sun shade

14



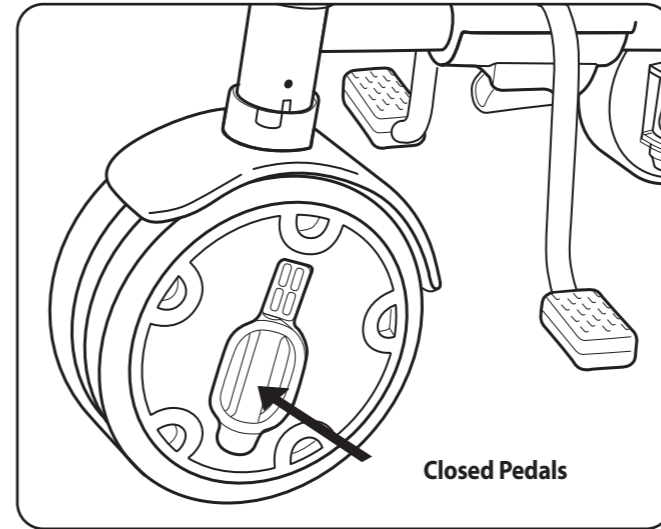
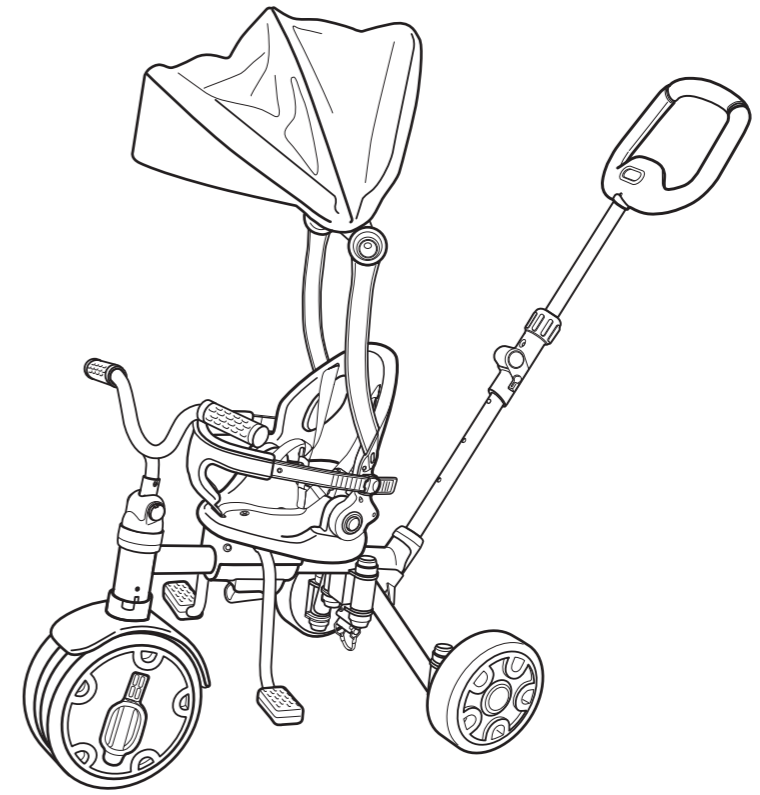
Loop cord at top of bag (M) around hooks located on the handle.

15

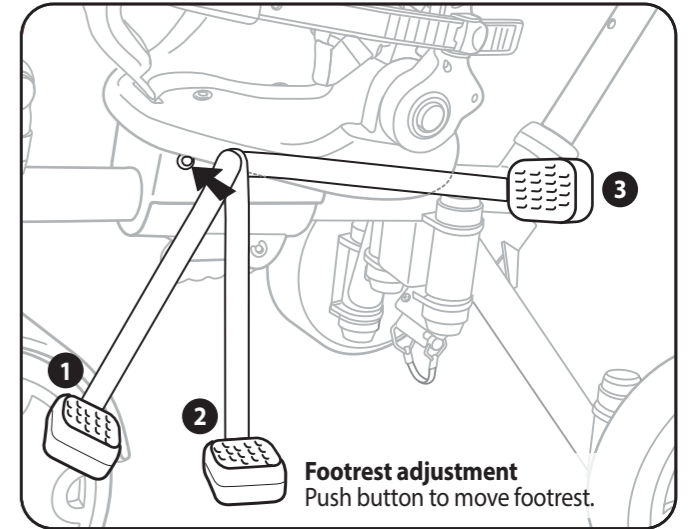


Locate velcro strap on each side of bag. Loop around wheel arm and secure.

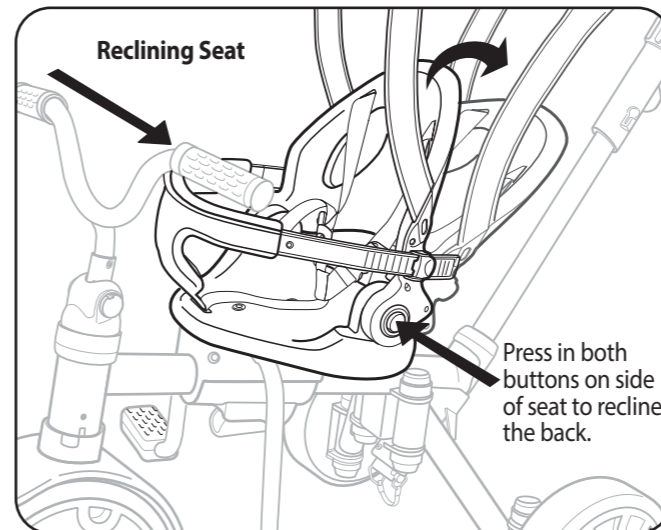
POSITION 1 - STROLL



Closed Pedals

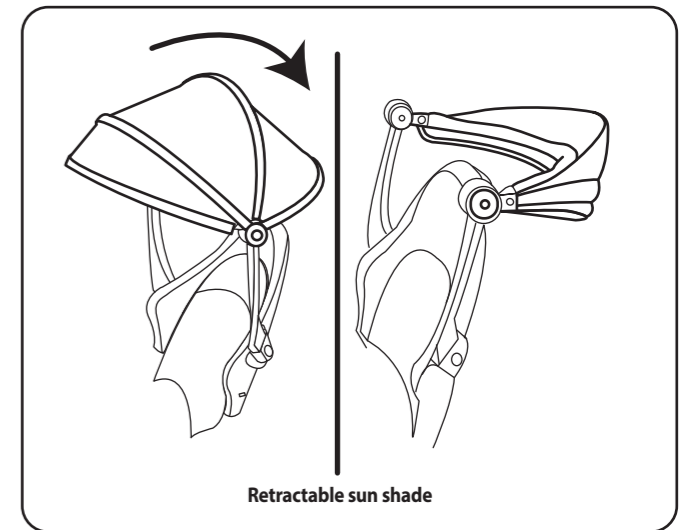


Footrest adjustment
Push button to move footrest.



Reclining Seat

Press in both buttons on side of seat to recline the back.



Retractable sun shade