

## PLASMA-M2500TBLACK

### SPECIFICATIONS

#### GENERAL

Min. screen size*	42
Max. screen size*	100
Min. weight	0
Max. weight	150
Screens	1
VESA minimum	400x200 mm
VESA maximum	800x600 mm

#### FUNCTIE

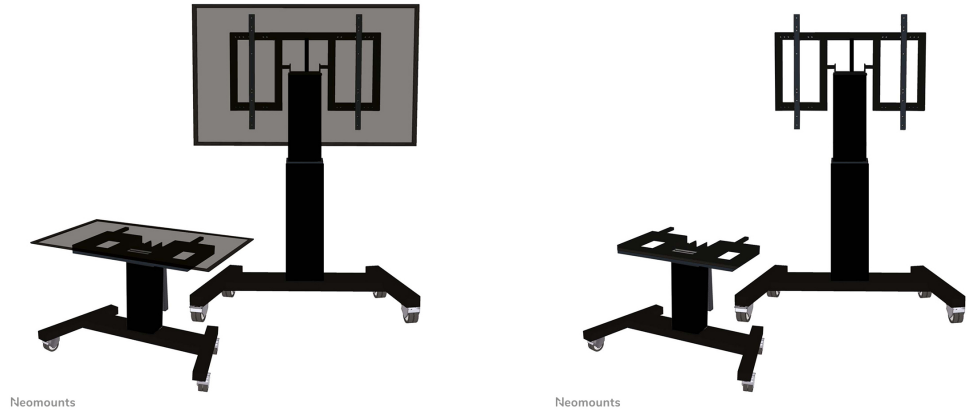
Type	Tilt
Height adjustment	50 cm (91-141 cm)
Lockable	Not lockable
Tilt (degrees)	90°
Height	173 cm
Width	104 cm
Depth	80 cm
Adjustment type	Motorised

#### INFORMATION

Color	Black
Main material	Steel
Warranty	5 year

\*Please note: The inch sizes stated are just an indication, combined with the weight and VESA sizes. The maximum weight and VESA size are absolute restrictions for the products and should not be exceeded.

## NEOMOUNTS PLASMA-M2500TBLACK TV TROLLEY 42-100" - MOTORISED - TABLE TILT FUNCTION



### Neomounts PLASMA-M2500TBLACK TV trolley - 42-100" - max 150 kg - motorised h 91-141 cm - VESA 400x200-800x600 - table tilt function - black

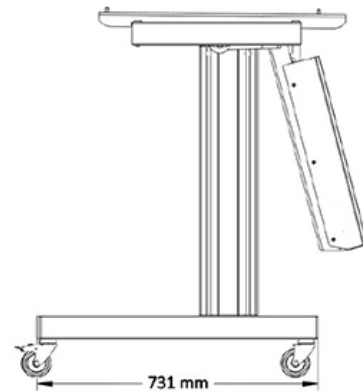
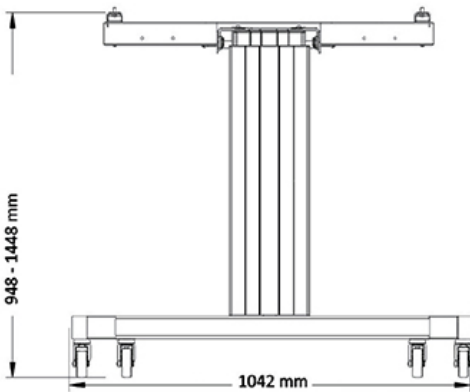
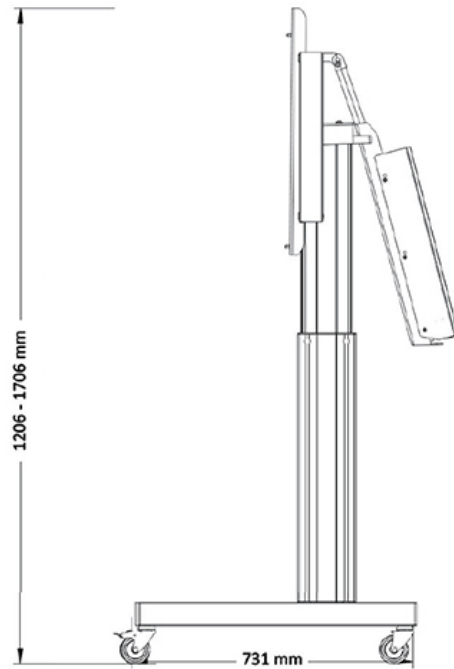
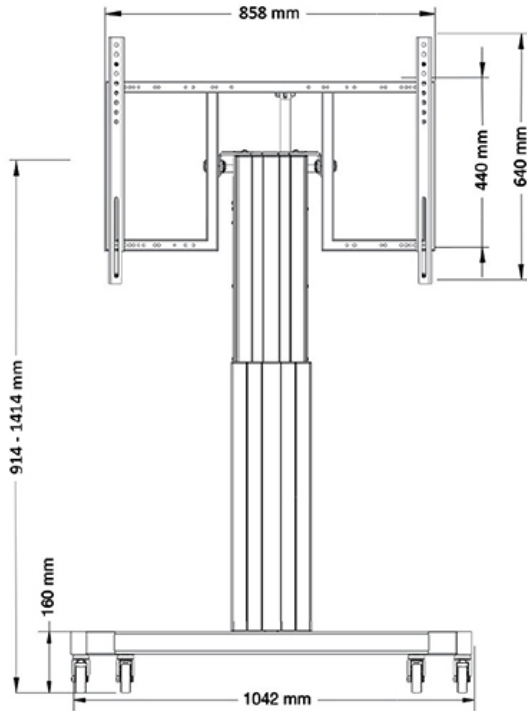
Create the optimum viewing positioning for both standing and seated audiences with the Neomounts PLASMA-M2500TBLACK motorised floor stand. The trolley is a perfect solution for classrooms, offices, meeting rooms and public areas.

The floor stand has a 90° tilt function that allows the (touch) screen to be used in table-top mode. The PLASMA-M2500TBLACK is suited for 42-100" screens with a VESA hole pattern of 400x200 to 800x600 mm and has a maximum weight capacity of 150 kg. The cable management system ensures orderly routing of the cables at the back of the mount.

The mobile floor stand is automatically tiltable (90°) and height adjustable over a height of 50 cm with a remote control. From the floor to the center the height of the screen is variable from 91,4-141,4 cm. The trolley features four solid castor wheels, of which the two front wheels are equipped with a brake. Thanks to these high-quality wheels, the trolley can be easily moved over doorsteps and thresholds.

PLASMA-M2500TBLACK

NEOMOUNTS PLASMA-M2500TBLACK TV  
TROLLEY 42-100" - MOTORISED - TABLE TILT  
FUNCTION



Neomounts