

C14/C20 EZ-Lok Plug Connector

User Guide

The 2X-EA10 (C14) and 2X-EA11 (C20) EZ-Lok Plug Connectors secure power cords to a PDU's C14 or C20 outlet to prevent accidental disconnection of power.

Package Contents:

2X-EA10 - 10 x C14 EZ-Lok Plug Connectors

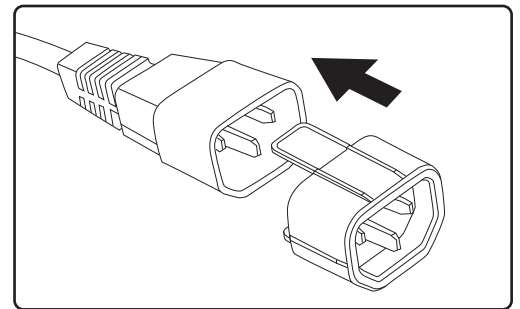
or

2X-EA11 - 10 x C20 EZ-Lok Plug Connectors

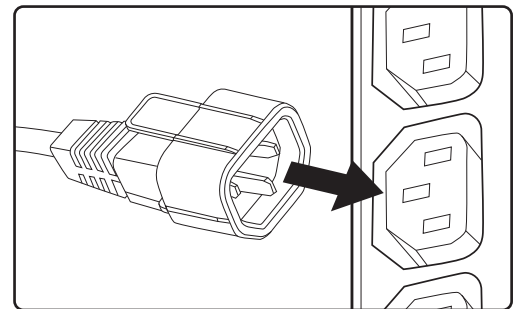
Installation:

To use the EZ-Lok Plug Connector:

1. Slide the plug connector onto the input end of a C14 or C20 plug until it clicks in place.



2. Connect the plug with the EZ-Lok Connector into the PDU by sliding it directly over and straight into the outlet.



3. To disconnect the plug from the PDU, grip the plug and squeeze the EZ-Lok tab as you pull the cord from the outlet.

