

Product Highlights

Full HD Resolution

A high-resolution megapixel sensor provides Full HD 1080p resolution images and video to ensure that you capture the details you need

Power over Ethernet

Power over Ethernet (PoE) expands and simplifies your installation options by removing the need for supplemental power cabling

Tamper-proof and Vandal-proof

Detects when camera view has been obstructed, and features an IK10 certified vandal-proof design for the most demanding of surveillance applications



DCS-6113V

Full HD Day & Night Vandal-Proof Fixed Dome Network Camera

Features

Camera

- 1/2.7" Full HD progressive megapixel CMOS sensor
- Fixed 4 mm lens, F1.5
- 15 m IR illumination distance
- Tamper detection
- Advanced event management
- IK-10 certified vandal-proof housing

Video & Audio

- Real-time simultaneous H.264/MPEG-4/MJPEG compression
- Max. resolution: 1920 x 1080 at 30 fps
- Four simultaneous streams
- Two-way audio
- Motion detection
- Privacy mask

Connections

- Power over Ethernet (PoE)
- microSD card slot, SD/SDHC/SDXC compatible¹
- DI/DO support for external devices

Networking

- IPv6, 802.1x, QoS, CoS
- HTTPS secured streaming
- Samba client
- Multiple access lists

The DCS-6113V Full HD Day & Night Vandal-Proof Fixed Dome Network Camera features industry-leading high definition (Full HD) megapixel resolution and H.264 compression that enable high-quality video footage to be recorded. The DCS-6113V connects to a network to provide high-quality live video over the Internet. It can even capture video in both light and dark environments thanks to built-in IR illuminators and an IR-cut removable filter. With advanced event management, motion detection, a microSD card slot, and more, the DCS-6113V gives you a versatile surveillance solution that can be used in a larger security system or as a standalone solution.

Full HD Surveillance

The DCS-6113V delivers Full HD 16:9 widescreen IP video surveillance which provides vivid high-quality video, making it easier to view and monitor footage. With the free-bundled D-ViewCam 32-channel recording software, the DCS-6113V provides a complete solution for high-quality live viewing and reliable recording. The camera also has a built-in microSD card slot which can be used for local backup by storing important events on an easily retrievable microSD card.

Multiple Video Streams

The DCS-6113V supports simultaneous streaming of H.264, MPEG-4, and MJPEG video to provide both high-quality and bandwidth-efficient compression formats. H.264 produces a small file size, making it useful for extended recording with high detail or for use in low bandwidth networks. MJPEG delivers excellent file integrity, ideal for situations which require extensive image detail. Additionally, the DCS-6113V supports multicast H.264 streaming, allowing users to view the camera feed by subscribing to a multicast IP address on the network.

Flexible Connectivity

The DCS-6113V includes input and output ports for connectivity to external devices such as IR sensors, switches, and alarm relays. The DCS-6113V also incorporates Power over Ethernet

(PoE), allowing it to be easily installed in a variety of locations without the need for supplemental power cabling.

plan to create a realistic layout of the premises where the cameras are located, further simplifying the management process.

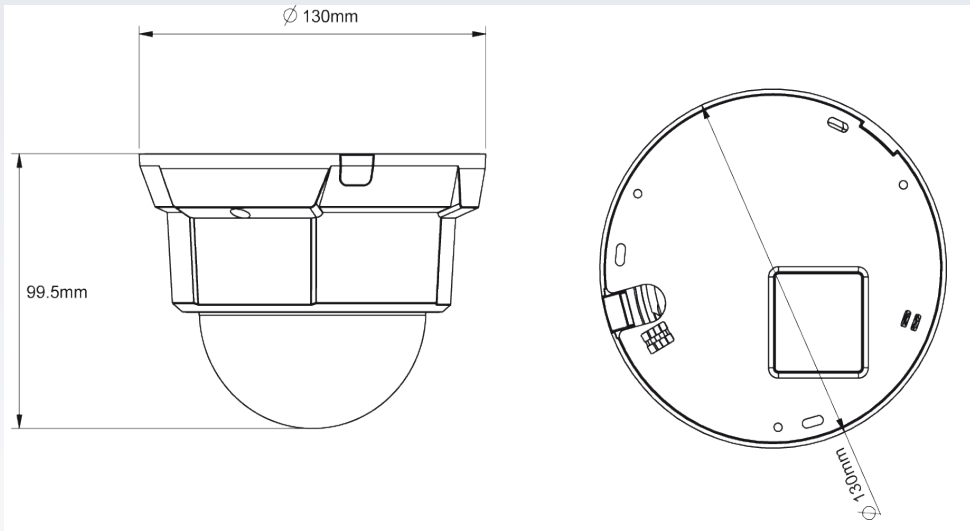
D-ViewCam for Management

The included D-Link D-ViewCam™ is sophisticated software which allows users to manage up to 32 network cameras, set e-mail alert notifications, create recording schedules, and use motion detection to record important events directly to a hard drive. D-ViewCam™ also allows users to upload a floor

Technical Specifications		
Camera		
Hardware profile	<ul style="list-style-type: none"> • 1/2.7" Full HD progressive megapixel CMOS sensor • Fixed 4 mm lens • Aperture: F1.5 • Shutter speed 1/30 to 1/32,000 sec • 16 x Digital Zoom • Minimum object distance: 0.4 m 	<ul style="list-style-type: none"> • Minimum illumination: 0.12 lux • IR illumination distance: 15 m • Angle of view: (H) 77.32° (V) 48.46° (D) 85.10°
Image Features	<ul style="list-style-type: none"> • Configurable image size, quality, and bit rate • Time stamp and text overlays • 3 configurable motion detection windows • ePTZ function 	<ul style="list-style-type: none"> • 5 configurable privacy masks • Flip & mirror • Configurable white balance, shutter speed, brightness, saturation, contrast, sharpness
Video Compression	<ul style="list-style-type: none"> • Simultaneous H.264/MPEG4/MJPEG multi-format compression • JPEG for still image 	<ul style="list-style-type: none"> • H.264/MPEG-4 multicast streaming
Video Resolutions	<ul style="list-style-type: none"> • 1920 x 1080 • 1440 x 1080 • 1280 x 960 • 1280 x 720 • 1024 x 768 • 800 x 600 • 800 x 450 	<ul style="list-style-type: none"> • 640 x 480 • 640 x 360 • 480 x 270 • 320 x 240 • 320 x 176 • All resolutions at up to 30 fps
Audio Compression	<ul style="list-style-type: none"> • MPEG-4 AAC, 16 kbps to 128 kbps 	<ul style="list-style-type: none"> • Supports two-way audio and audio mute
Network		
Network Protocols	<ul style="list-style-type: none"> • IPv4 • IPv6 • TCP/IP • UDP • ICMP • DHCP Client • NTP Client (D-Link) • DNS Client • DDNS Client (D-Link) • SMTP Client • FTP Client • HTTP/HTTPS 	<ul style="list-style-type: none"> • Samba Client • PPPoE • UPnP Port Forwarding • RTP/RTSP/RTCP • IP filtering • CoS/QoS • SNMP • IGMP • 802.1x • ONVIF compliant • Multicast
Security	<ul style="list-style-type: none"> • Administrator and user group protection • HTTP and RTSP digest encryption 	<ul style="list-style-type: none"> • HTTPS streaming • Remote client access control

System Integration		
System Requirements	<ul style="list-style-type: none"> Operating System: Microsoft Windows 8/7/Vista/XP/2000 	<ul style="list-style-type: none"> Web Browser: Internet Explorer 7 or higher
D-ViewCam™ System Requirements for Web Interface	<ul style="list-style-type: none"> Operating System: Microsoft Windows 8/7/Vista/XP/2000 Web Browser: Internet Explorer 7 or higher 	<ul style="list-style-type: none"> Protocol: Standard TCP/IP
Event Management	<ul style="list-style-type: none"> Motion detection Tamper detection Event notification and upload snapshots/video clips via HTTP, SMTP or FTP 	<ul style="list-style-type: none"> Multiple event notification Multiple recording methods for easy backup Supports multiple HTTP, SMTP and FTP servers
Remote Management	<ul style="list-style-type: none"> Take snapshots/video clips and save to local hard drive via web browser 	<ul style="list-style-type: none"> Configuration accessible via web browser
Surveillance Software Function	<ul style="list-style-type: none"> Supports all management functions provided in web interface Scheduled motion triggered, or manual recording options 	<ul style="list-style-type: none"> Remote management/control of up to 32 cameras Viewing of up to 32 cameras on one screen
External Device Interface	<ul style="list-style-type: none"> DI and DO for external sensor and alarm External audio input/output Video output (BNC) 	<ul style="list-style-type: none"> microSD card slot ¹ 12 V DC power input
General		
Power	<ul style="list-style-type: none"> Input: 12 V DC 1.25 A, 50/60 Hz 	<ul style="list-style-type: none"> IEEE 802.3af PoE Class 3
Max. Power Consumption	<ul style="list-style-type: none"> 5.3 W 	
Operating Temperature	<ul style="list-style-type: none"> 0 to 40 °C (32 to 104 °F) 	
Storage Temperature	<ul style="list-style-type: none"> -20 to 70 °C (-4 to 158 °F) 	
Humidity	<ul style="list-style-type: none"> Up to 85% non-condensing 	
Weight	<ul style="list-style-type: none"> 578 g (1.27 lbs) 	
Certifications	<ul style="list-style-type: none"> CE (Class A) CE LVD (EN60965-1) FCC (Class A) 	<ul style="list-style-type: none"> ICES-003 C-Tick IK-10 Certified

DCS-6113V Full HD Day & Night Vandal-Proof Fixed Dome Network Camera

<p>Dimensions</p>	
<p>Order Information</p>	
<p>Part Number</p>	<p>Description</p>
<p>DCS-6113V</p>	<p>Full HD Day & Night Vandal-Proof Fixed Dome Network Camera</p>

Updated 2015/01/21

¹ Camera is compatible with microSD SD/SDHC/SDXC cards up to v3.01. Camera is not compatible with v4.x cards.