



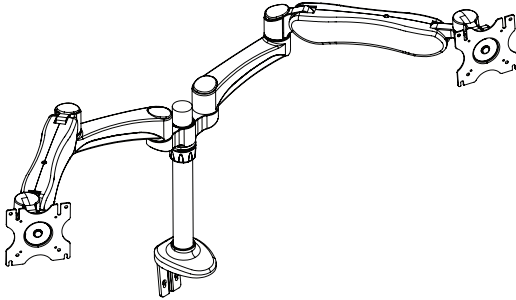
# BT7384

## FULL MOTION TWIN SCREEN FLAT SCREEN DESK MOUNT

### INSTALLATION GUIDE & PARTS LIST

This Pack Contains 1 Desk Mount

PLEASE KEEP THIS FOR FUTURE REFERENCE



### FEATURES

- Designed for screens up to 28" (71cm) / 9kg (per screen)
- Fits screens with VESA mounting patterns: 75 x 75mm and 100 x 100mm
- Supplied with a desk clamp and a grommet clamp
- Maximum arm extension: 586mm
- Easy tilt adjustment: +65 / -90°
- Screen rotation: 360°
- Features three swivel points on each arm: 360° at pole, 360° at pivot and 220° at interface
- Simple installation with all fixings included



PER SCREEN

SCREEN

### CONTENTS

Installation Safety Notes.....	2
Parts List.....	4
Installation Instructions.....	6
Product Dimensions.....	11
B-Tech Contact Details.....	12

### INSTALLATION TOOLS REQUIRED

Crosshead  
screwdriver



**B-TECH AUDIO VIDEO MOUNTS**

[www.btechavmounts.com](http://www.btechavmounts.com)

# INSTALLATION SAFETY INSTRUCTIONS



**CAUTION:** This mount is intended for use only with the maximum weights indicated. Use with flat screens heavier than the maximum indicated may result in instability causing possible injury.

Do not attempt to install this product until all instructions and warnings have been read and properly understood. Please keep these instructions for future reference. Please check carefully to make sure there are no missing or defective parts - defective parts must never be used. B-Tech International Design and Manufacturing Limited, its distributors and dealers are not liable or responsible for damage or injury caused by improper installation, improper use or failure to observe these safety instructions. In such cases, all guarantees will expire.

## **General**

B-Tech International Design and Manufacturing Limited recommends that a professional AV installer or other suitably qualified person install this product. Great care must always be taken during installation as most AV equipment is of a fragile nature, possibly heavy and easily damaged if dropped. If you do not fully understand the instructions or are not sure how to install this product safely, then please consult a professional for advice and/or to install this product for you. Failure to mount this product correctly may cause serious injury or death both during installation and at any time thereafter. Do not mount any AV equipment that exceeds the specific weight limit of the product you are installing. This weight limit will be clearly stated on each product and its packaging and will vary from product to product.

## **Product location**

Please pay careful attention to where this product is located. Check load capacity of wall prior to installation as some walls are not suitable for installation. Designed for indoor use, this mount is suitable for public or home installation. If located in a public or frequently populated area ensure that the product is out of the immediate reach of people. If any AV equipment is to be suspended over the likely path or location of people then great care should be taken to secure all parts of the installation from falling. If you install this product on drywall it must be securely fixed to a wooden stud, concrete block or other permanent structure behind the drywall board. Installing on drywall boards alone will not support the weight of most AV equipment. When drilling holes in walls it is essential to avoid contact with electrical cables and water or gas pipes contained within. Use of a good quality live wire detector and hidden object locator is therefore recommended. Only drill into structures when you are sure it is safe to do so.

## **Fixing hardware**

It is highly recommended that all wall fixing screws be used where supplied and that the purpose of all other fixing hardware is fully understood. In some cases more AV equipment fixing hardware will be supplied to accommodate different models of equipment and set up configurations. The installer must be satisfied that any supplied fixing hardware is suitable for each specific installation. If any fixing screws or included hardware are deemed not sufficient for a safe installation then please consult a professional or your local hardware store.

## **Hazard limitation**

When routing cables take advantage of any built in cable management features that the product might provide and ensure that all cables are tidy and secure. Check to see that any moving aspect of the product can do so unhindered by any cabling. Some products have moving parts and the potential to cause injury through the crushing or trapping of fingers or other body parts. Particular attention to the nature of moving parts is required especially when assembling installing and adjusting during set up. Immediately after installations double-check that the work done is safe and secure. Double-check all necessary fixings are present and are of ample tightness. It is recommended that periodic inspections of the product and its fixing points are made as frequently as possible to ensure that safety is maintained. If in doubt consult a professional AV installer or other suitably qualified person.

CS

Společnost B-Tech International Design And Manufacturing Ltd. doporučuje provést instalaci tohoto produktu instalátora AV či jinak způsobilé osoby. Společnost B-Tech International Design And Manufacturing Ltd, její distributoři a prodejci nenesou prostřednictvím odborného odpov. édnost za škody nebo zranění způsobená nevhodnou instalací. Tento výrobek je nutno umístit do vhodné konstrukce a používat jen po uvedené maximální výšce.

DE

B-Tech International Design And Manufacturing Ltd. empfiehlt, dass dieses Produkt durch einen qualifizierten AV-Techniker oder eine andere Person mit geeigneter Qualifikation installiert wird. B-Tech International Design And Manufacturing Ltd, ihre Distributoren und Händler können nicht für durch fehlerhafte Montage verursachte Beschädigung oder Verletzung haftbar bzw. verantwortlich gemacht werden. Dieses Produkt muss auf eine geeignetem Untergrund montiert werden und darf nur bis zum angegebenen Höchstgewicht verwendet werden.

ES

B-Tech International Design And Manufacturing Ltd. recomienda que un instalador de audio y video profesional u otra persona debidamente cualificada instalen este producto. B-Tech International Design And Manufacturing Ltd, sus distribuidores y concesionarios no se hacen cargo ni se responsabilizan de ningún daño o lesión provocados por una instalación inapropiada. Este producto se debe montar en una estructura adecuada y se debe utilizar soportando solamente hasta el peso máximo indicado.

FR

B-Tech International Design And Manufacturing Ltd. recommande de confier l'installation de ce produit à un installateur AV professionnel ou à une autre personne dûment qualifiée. B-Tech International Design And Manufacturing Ltd, ses distributeurs et ses revendeurs ne sauraient être tenus responsables de tout dégât ou de toute blessure résultant d'une installation incorrecte. Ce produit doit être monté sur un support approprié et utilisé dans la limite du poids maximum indiqué.

IT

B-Tech International Design And Manufacturing Ltd. consiglia di affidare l'installazione di questo prodotto a un installatore specializzato o ad altra persona adeguatamente qualificata. B-Tech International Design And Manufacturing Ltd, i suoi distributori e rivenditori non accettano alcuna responsabilità nei riguardi di eventuali danni o infortuni causati da un'errata installazione. Questo prodotto deve essere fissato a una struttura idonea e utilizzato unicamente sino al peso massimo indicato.

NL

B-Tech International Design And Manufacturing Ltd. adviseert om dit product te laten installeren door een professionele AV-instalateur of andere hiervoor gekwalificeerde persoon. B-Tech International Design And Manufacturing Ltd, haar distributeurs en dealers zijn niet aansprakelijk of verantwoordelijk voor schade of letsel die is veroorzaakt door onoordeelkundige installatie. Dit product moet worden gemonteerd aan een geschikte constructie, waarbij het aangegeven maximum gewicht niet mag worden overschreden.

PL

Firma B-Tech International Design And Manufacturing Ltd. zaleca, aby ten produkt był instalowany przez profesjonalnych instalatorów AV lub inny odpowiednio przeszkolony personel. Firma B-Tech International Design And Manufacturing Ltd, jej dystrybutorzy i dealerzy nie ponoszą odpowiedzialności za uszkodzenia lub obrażenia ciała powstałe w wyniku nieprawidłowej instalacji. Niniejszy produkt musi być zamontowany na odpowiedniej powierzchni, a podczas u żytkowania nie wolno przekraczać podanego maksymalnego obciążenia.

PT

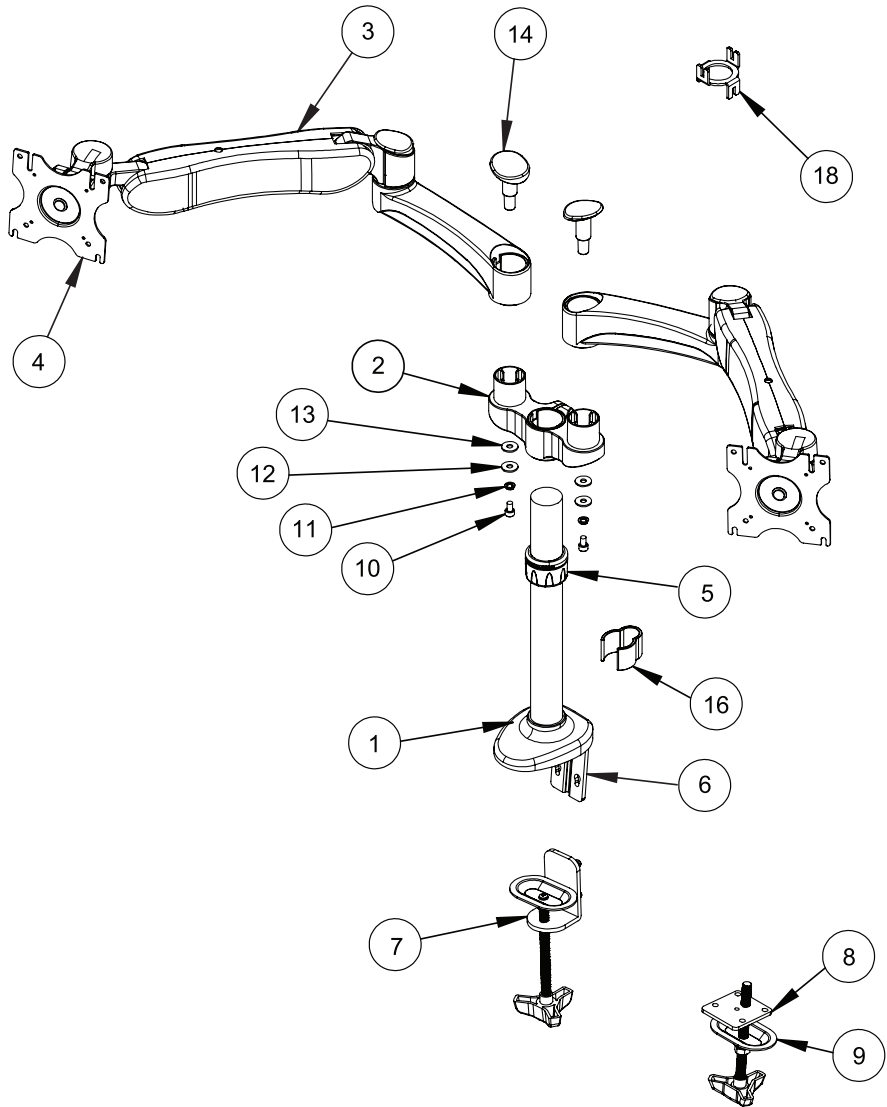
A B-Tech International Design And Manufacturing Ltd. recomenda que a instalação deste produto seja efectuada por um instalador de AV instalador de AV profissional ou outra pessoa devidamente habilitada. A B-Tech International Design And Manufacturing Ltd. e os seus distribuidores e concessionários não são responsáveis por danos ou lesões causados por uma instalação incorrecta. Este produto tem de ser montado numa estrutura adequada e utilizado somente até ao peso máximo indicado.

RU

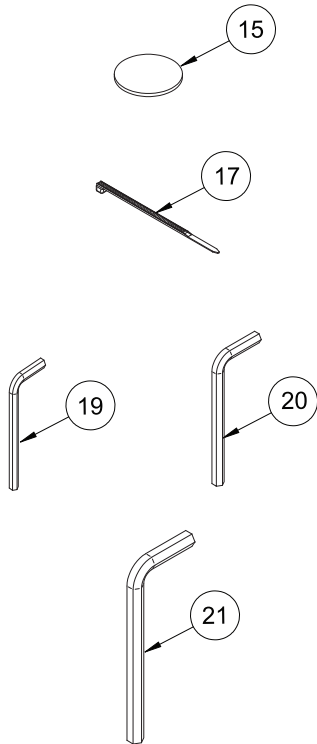
Компания B-Tech International Design And Manufacturing Ltd. рекомендует, чтобы установка данного изделия производилась инженером по установке аудио-видеотехники или другим специалистом с соответствующей квалификацией. Компания B-Tech International Design And Manufacturing Ltd. ее дистрибьюторы и дилеры не несут ответственности за повреждения или травмы, полученные в результате неправильной установки. Данное изделие должно

توصي بي- تك للتجارة الدولية المحدودة بأن شخص محترف في تركيب ال AV او شخص مؤهل تأهيلا مناسباً لتركيب هذا المنتج. بي- تك للتجارة الدولية، موز عليها والتجار ليست عرضة أو مسؤولة عن الأضرار أو الإصابات الناجمة عن تركيب غير سليم، والاستخدام غير السليم أو عدم مراعاة هذه التعليمات للسلامة. يجب أن يتم تركيب هذا المنتج في بنية مناسبة ويجب استخدامة فقط لدعم الحد الأقصى للوزن المشار إليه.

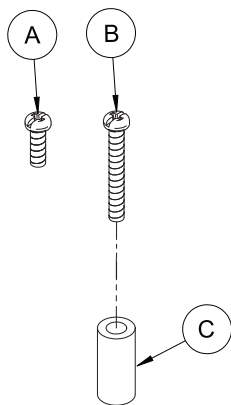
**BT7384**  
**PARTS LIST**



Suitable for loads  
up to 9kg



**FLAT SCREEN INTERFACE KIT**



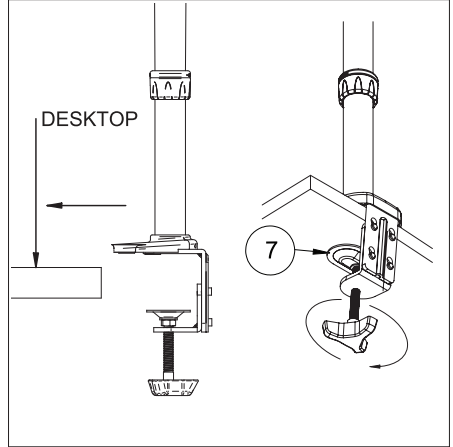
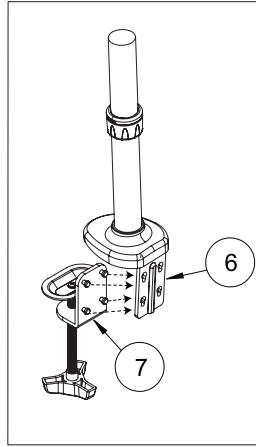
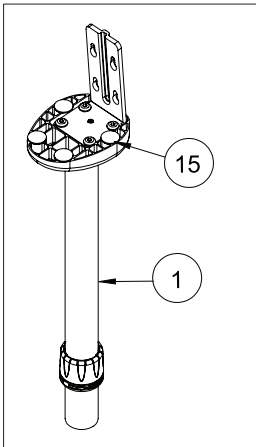
REF	DESCRIPTION	QTY
1	POLE ASSEMBLY	1
2	TWIN ARM JOINER	1
3	INTERFACE ARM	2
4	INTERFACE PLATE	2
5	HEIGHT ADJUSTMENT COLLAR	1
6	CLAMP CONNECTION PLATE	1
7	DESKTOP CLAMP	1
8	GROMMET CONNECTION PLATE	1
9	GROMMET CLAMP	1
10	M6 HEX SCREW	2
11	SPRING WASHER	2
12	METAL WASHER	2
13	PLASTIC WASHER	2
14	END CAP	2
15	FOAM PAD	4
16	CABLE CLIP	1
17	CABLE TIE	10
18	STOPPER	2
19	3mm HEX KEY	1
20	4mm HEX KEY	1
21	5mm HEX KEY	1
INTERFACE KIT		
A	M4 x 12mm SCREW	8
B	M4 x 25mm SCREW	8
C	M5 x 16mm SPACER	8

PLEASE KEEP THIS FOR FUTURE REFERENCE

# INSTALLATION INSTRUCTIONS

## 1 A Desk Clamp

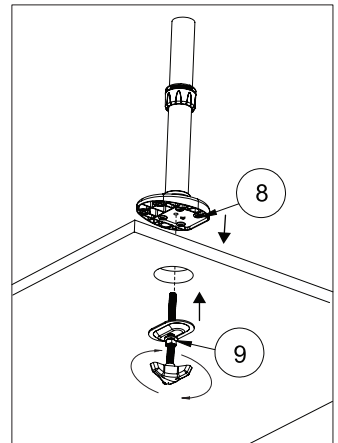
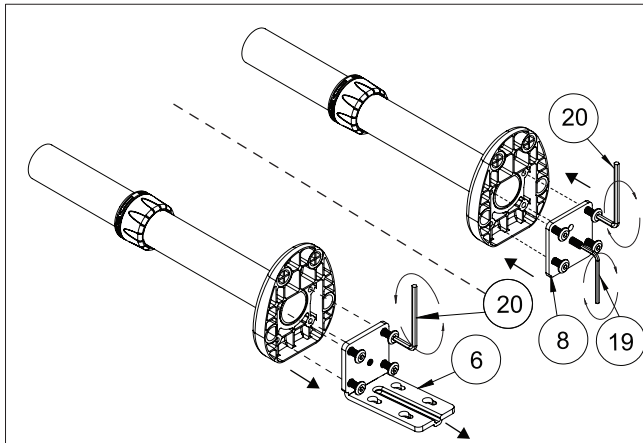
- i. Attach the foam pads (Parts 15) to the underside of the clamp base (Part 1).
- ii. Hook desktop clamp (Part 7) onto clamp connection plate (Part 6).
- iii. Place desktop clamp over desk and tighten the handwheel on the clamp (Part 7).



## 1 B Grommet Clamp

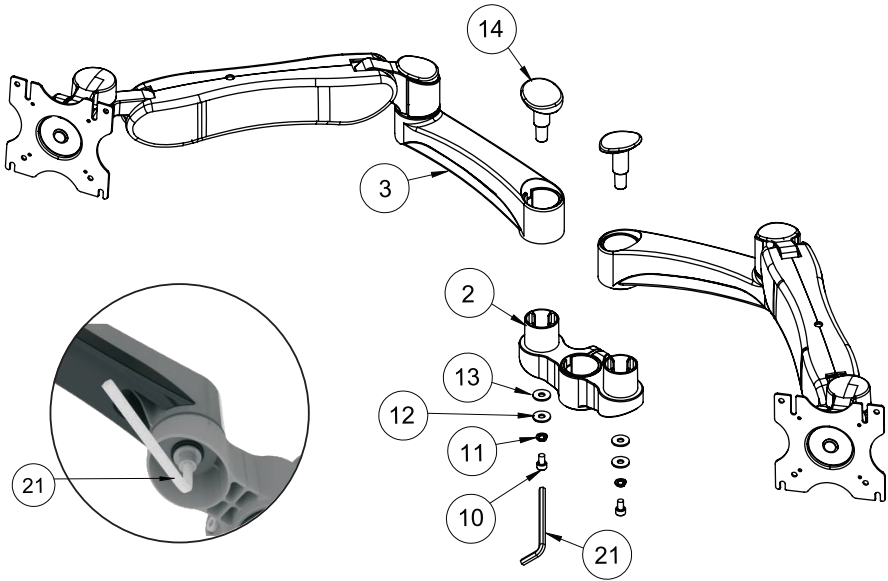
Attach the foam pads (Parts 15) to the underside of the clamp base (see Step 1a i.)

- i. Remove clamp connection plate (Part 6) from base.
- ii. Attach grommet clamp plate (Part 8) onto base.
- iii. Tighten handwheel on grommet clamp (Part 9) connecting the clamp and pole to the desk.

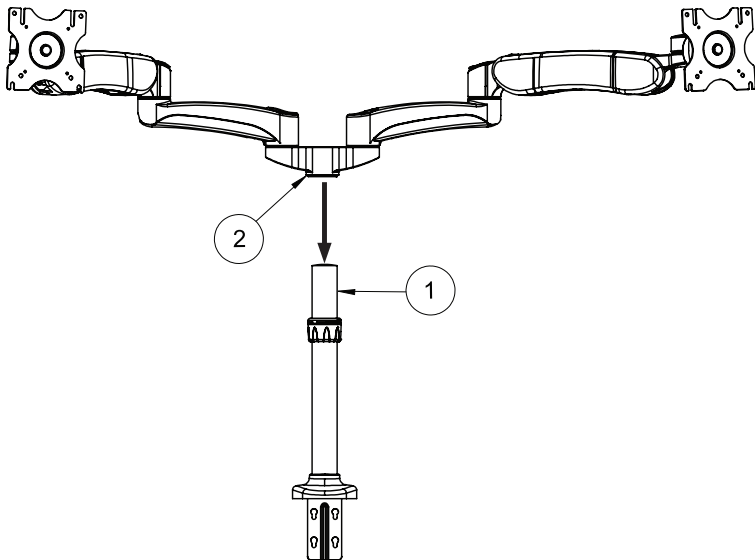


## Assemble the Interface Arms

i. Connect both interface arms (Part 3) to the twin arm connector (Part 2) using the M6 hex screw and washers (Parts 10, 11, 12 & 13).

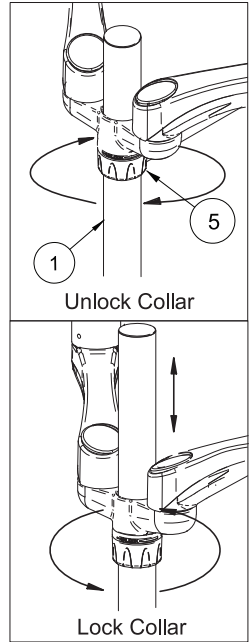
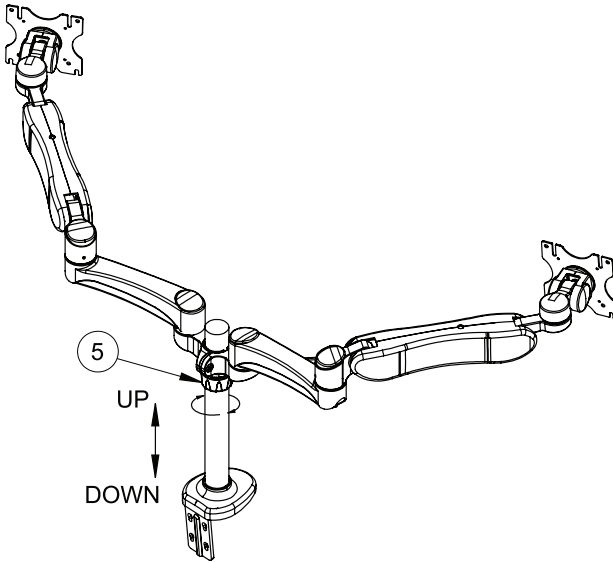


ii. Slide connector (Part 2) onto pole (Part 1).

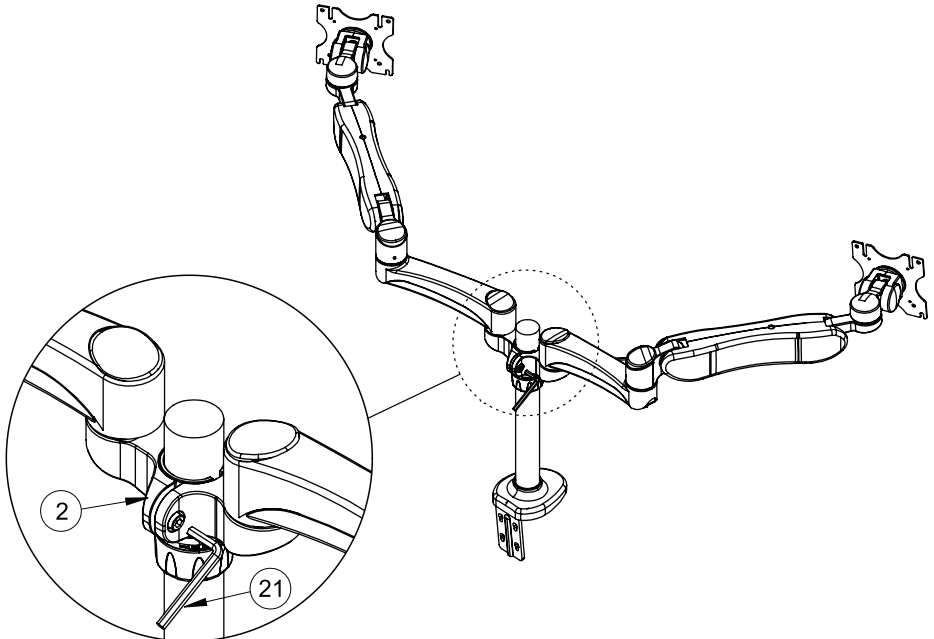


**Fix the height of Arms on Pole**

i. Loosen collar (part 5) and position at the preferred height on pole (part 1).



ii. Secure twin arm joiner (part 2) on pole (part 1).

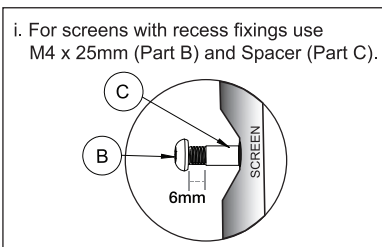
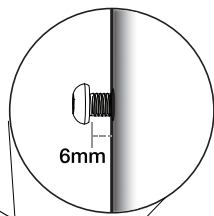
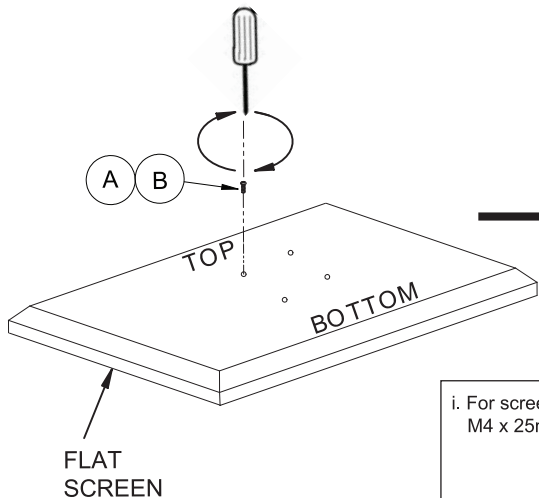




# 4

## Mount Screen to Interface Plate

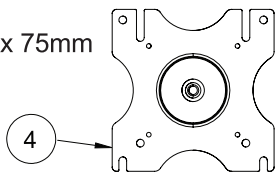
i. Insert half-way, 2 screws from the interface kit into the top fixing holes of the screen.



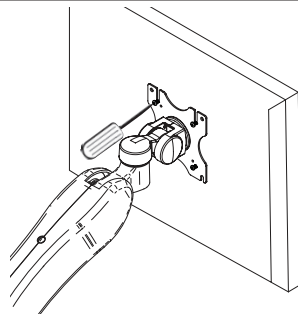
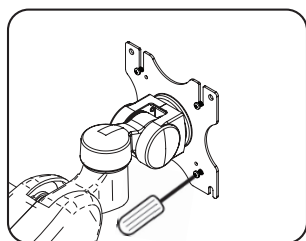
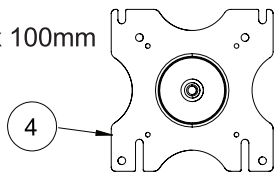
ii. Hook screen onto interface plate (Part 4), add bottom two screws and then tighten all screws.

### SCREEN INTERFACE PLATE (PART 4) POSITION

VESA 75 x 75mm



VESA 100 x 100mm

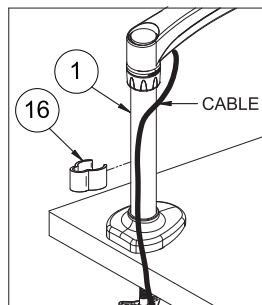
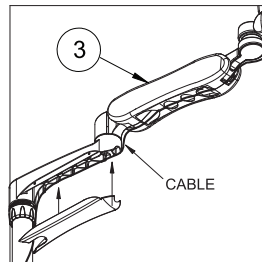
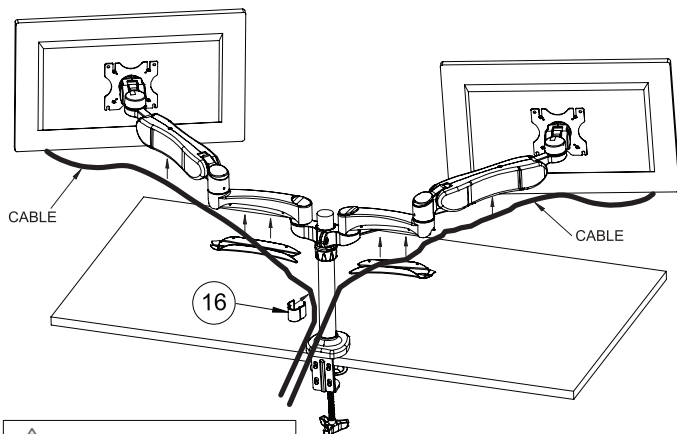


REPEAT STEP FOR OTHER FLAT SCREEN

# 5

## OPTIONAL: Cable Management

Insert the cables into the cable management slots on the underside of the arms and use arm covers and cable clip (part 16) to tidy cables.



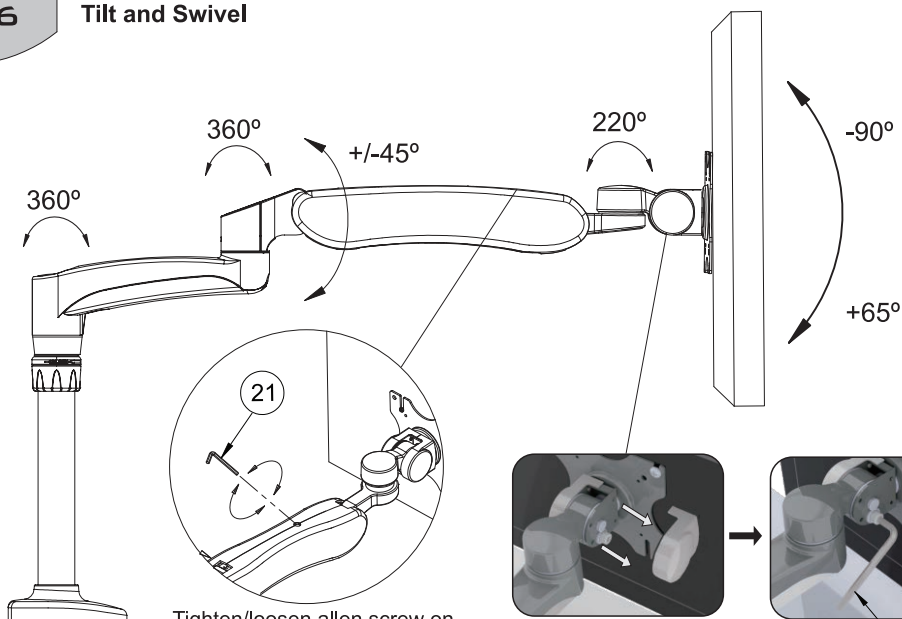
**⚠ WARNING:**  
Ensure articulating arms are fully extended before connecting cables.



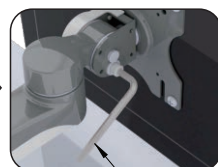
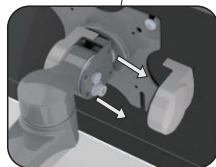
**CAUTION:** Ensure there is adequate cable slack for movement of the screen, and that cables will not be pinched when the mount is closed.

# 6

## Tilt and Swivel

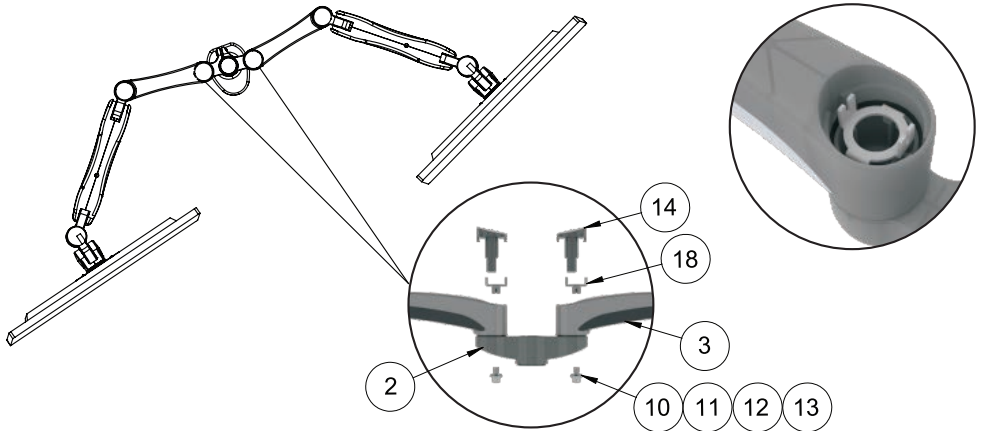


Tighten/loosen allen screw on the articulating arms to adjust the resistance for arm tilt.

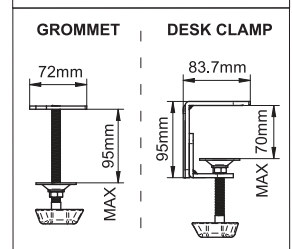
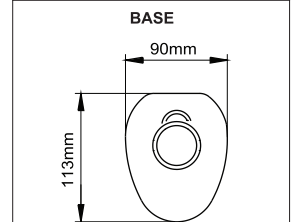
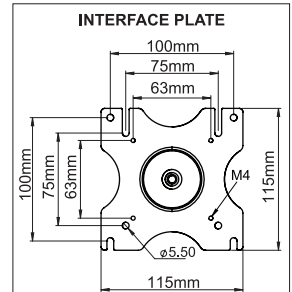
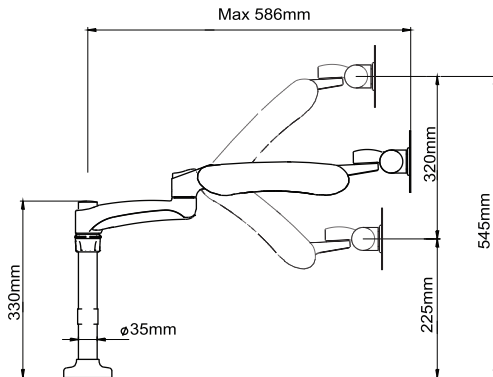
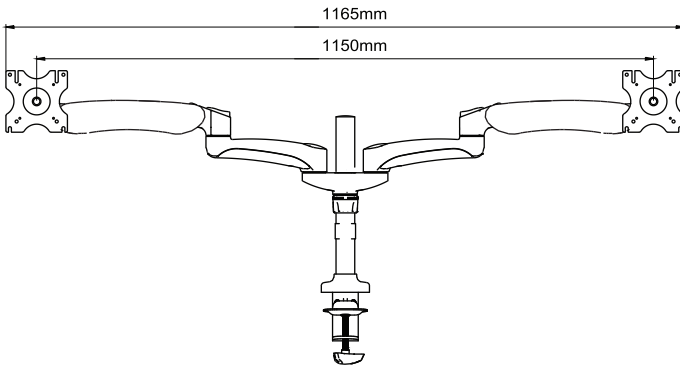


21

Optional: Insert Stopper (Part 18) to lock the extension arms in place.



## BT7384 PRODUCT DIMENSIONS



THESE INSTRUCTIONS ARE INTENDED AS A GUIDE ONLY AND B-TECH ACCEPTS NO LIABILITY FOR THE ACCURACY OF THE INFORMATION CONTAINED IN THIS DOCUMENT.



[www.btechavmounts.com](http://www.btechavmounts.com)

## **B-TECH AUDIO VIDEO MOUNTS**

### **HEAD OFFICE**

#### **B-Tech International Limited**

Bennett House, Long March, Daventry, Northants., NN11 4NR, UK

Email: [info@btechavmounts.com](mailto:info@btechavmounts.com)

©2016 B-Tech International Design and Manufacturing Limited. All rights reserved.

B-Tech Audio Video Mounts is a division of B-Tech International Design and Manufacturing Limited.

B-Tech & Better By Design are registered trademarks of B-Tech International Design and Manufacturing Limited.

All other brands and product names are trademarks of their respective owners.

Photographs are for illustrative purposes only. E&OE.