

► SCE81821FS

EN	User Manual	2
	Fridge Freezer	
FR	Notice d'utilisation	20
	Réfrigérateur/congélateur	
DE	Benutzerinformation	40
	Kühl - Gefrierschrank	

USER MANUAL



AEG

CONTENTS

1. SAFETY INFORMATION.....	2
2. SAFETY INSTRUCTIONS.....	4
3. INSTALLATION.....	6
4. OPERATION.....	7
5. DAILY USE.....	10
6. HINTS AND TIPS.....	12
7. CARE AND CLEANING.....	13
8. TROUBLESHOOTING.....	14
9. NOISES.....	17
10. TECHNICAL DATA.....	18

FOR PERFECT RESULTS

Thank you for choosing this AEG product. We have created it to give you impeccable performance for many years, with innovative technologies that help make life simpler features you might not find on ordinary appliances. Please spend a few minutes reading to get the very best from it.

Visit our website for:



Get usage advice, brochures, trouble shooter, service information:
www.aeg.com/webselfservice



Register your product for better service:
www.registeraeg.com



Buy Accessories, Consumables and Original spare parts for your appliance:
www.aeg.com/shop

CUSTOMER CARE AND SERVICE

Always use original spare parts.

When contacting our Authorised Service Centre, ensure that you have the following data available: Model, PNC, Serial Number.

The information can be found on the rating plate.

 Warning / Caution-Safety information

 General information and tips

 Environmental information

Subject to change without notice.

1. SAFETY INFORMATION

Before the installation and use of the appliance, carefully read the supplied instructions. The manufacturer is not responsible for any injuries or damages that are the result of incorrect installation or

usage. Always keep the instructions in a safe and accessible location for future reference.

1.1 Children and vulnerable people safety

- This appliance can be used by children aged from 8 years and above and persons with reduced physical, sensory or mental capabilities or lack of experience and knowledge if they have been given supervision or instruction concerning the use of the appliance in a safe way and understand the hazards involved.
- This appliance may be used by children between 3 and 8 years of age and persons with very extensive and complex disabilities, if they have been properly instructed.
- Children of less than 3 years of age should be kept away from the appliance unless continuously supervised.
- Do not let children play with the appliance.
- Children shall not carry out cleaning and user maintenance of the appliance without supervision.
- Keep all packaging away from children and dispose of it appropriately.

1.2 General Safety

- This appliance is intended to be used in household and similar applications such as:
 - Farm houses; staff kitchen areas in shops, offices and other working environments
 - By clients in hotels, motels, bed and breakfast and other residential type environments
- **WARNING:** Keep ventilation openings, in the appliance enclosure or in the built-in structure, clear of obstruction.
- **WARNING:** Do not use mechanical devices or other means to accelerate the defrosting process, other than those recommended by the manufacturer.
- **WARNING:** Do not damage the refrigerant circuit.

- **WARNING:** Do not use electrical appliances inside the food storage compartments of the appliance, unless they are of the type recommended by the manufacturer.
- Do not use water spray and steam to clean the appliance.
- Clean the appliance with a moist soft cloth. Only use neutral detergents. Do not use abrasive products, abrasive cleaning pads, solvents or metal objects.
- Do not store explosive substances such as aerosol cans with a flammable propellant in this appliance.
- If the supply cord is damaged, it must be replaced by the manufacturer, its Authorised Service Centre or similarly qualified persons in order to avoid a hazard.

2. SAFETY INSTRUCTIONS

2.1 Installation



WARNING!

Only a qualified person must install this appliance.

- Remove all the packaging.
- Do not install or use a damaged appliance.
- Do not use the appliance before installing it in the built-in structure due to safety manner.
- Follow the installation instructions supplied with the appliance.
- Always take care when moving the appliance as it is heavy. Always use safety gloves and enclosed footwear.
- Make sure the air can circulate around the appliance.
- At first installation or after reversing the door wait at least 4 hours before connecting the appliance to the power supply. This is to allow the oil to flow back in the compressor.
- Before carrying out any operations on the appliance (e.g. reversing the door), remove the plug from the power socket.
- Do not install the appliance close to radiators or cookers, ovens or hobs.
- Do not expose the appliance to the rain.

- Do not install the appliance where there is direct sunlight.
- Do not install this appliance in areas that are too humid or too cold.
- When you move the appliance, lift it by the front edge to avoid scratching the floor.
- The appliance contains a bag of desiccant. This is not a toy. This is not food. Please dispose of it immediately.

2.2 Electrical connection



WARNING!

Risk of fire and electric shock.



WARNING!

When positioning the appliance, ensure the supply cord is not trapped or damaged.



WARNING!

Do not use multi-plug adapters and extension cables.

- The appliance must be earthed.
- Make sure that the parameters on the rating plate are compatible with the

electrical ratings of the mains power supply.

- Always use a correctly installed shockproof socket.
- Make sure not to cause damage to the electrical components (e.g. mains plug, mains cable, compressor). Contact the Authorised Service Centre or an electrician to change the electrical components.
- The mains cable must stay below the level of the mains plug.
- Connect the mains plug to the mains socket only at the end of the installation. Make sure that there is access to the mains plug after the installation.
- Do not pull the mains cable to disconnect the appliance. Always pull the mains plug.

2.3 Use



WARNING!

Risk of injury, burns, electric shock or fire.



The appliance contains flammable gas, isobutane (R600a), a natural gas with a high level of environmental compatibility. Be careful not to cause damage to the refrigerant circuit containing isobutane.

- Do not change the specification of this appliance.
- Do not put electrical appliances (e.g. ice cream makers) in the appliance unless they are stated applicable by the manufacturer.
- If damage occurs to the refrigerant circuit, make sure that there are no flames and sources of ignition in the room. Ventilate the room.
- Do not let hot items to touch the plastic parts of the appliance.
- Do not put soft drinks in the freezer compartment. This will create pressure on the drink container.
- Do not store flammable gas and liquid in the appliance.
- Do not put flammable products or items that are wet with flammable products in, near or on the appliance.

- Do not touch the compressor or the condenser. They are hot.
- Do not remove or touch items from the freezer compartment if your hands are wet or damp.
- Do not freeze again food that has been thawed.
- Follow the storage instructions on the packaging of frozen food.
- Wrap the food in any food contact material before putting it in the freezer compartment.

2.4 Internal lighting



WARNING!

Risk of electric shock.

- The type of lamp used for this appliance is for household appliances only. Do not use it for house lighting.

2.5 Care and cleaning



WARNING!

Risk of injury or damage to the appliance.

- Before maintenance, deactivate the appliance and disconnect the mains plug from the mains socket.
- This appliance contains hydrocarbons in the cooling unit. Only a qualified person must do the maintenance and the recharging of the unit.
- Regularly examine the drain of the appliance and if necessary, clean it. If the drain is blocked, defrosted water collects in the bottom of the appliance.

2.6 Service

- To repair the appliance contact the Authorised Service Centre.
- Use original spare parts only.

2.7 Disposal



WARNING!

Risk of injury or suffocation.

- Disconnect the appliance from the mains supply.
- Cut off the mains cable and discard it.

- Remove the door to prevent children and pets to be closed inside of the appliance.
- The refrigerant circuit and the insulation materials of this appliance are ozone-friendly.
- The insulation foam contains flammable gas. Contact your

municipal authority for information on how to discard the appliance correctly.

- Do not cause damage to the part of the cooling unit that is near the heat exchanger.

3. INSTALLATION



WARNING!

Refer to Safety chapters.

3.1 Location



Refer to the assembly instructions for the installation.

To ensure best performance, install the appliance well away from sources of heat such as radiators, boilers, direct sunlight etc. Make sure that air can circulate freely around the back of the cabinet.

3.2 Positioning

Install the appliance in a dry, well ventilated indoors where the ambient temperature corresponds to the climate class indicated on the rating plate of the appliance.

Climate class	Ambient temperature
SN	+10°C to + 32°C
N	+16°C to + 32°C
ST	+16°C to + 38°C
T	+16°C to + 43°C



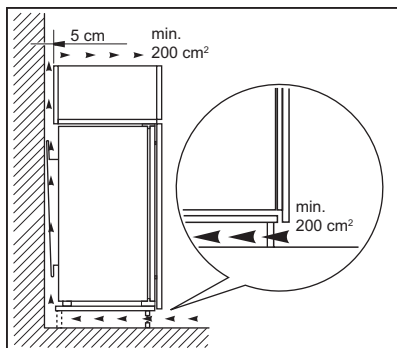
Some functional problems might occur for some types of models when operating outside of that range. The correct operation can only be guaranteed within the specified temperature range. If you have any doubts regarding where to install the appliance, please turn to the vendor, to our customer service or to the nearest Authorised Service Centre.

3.3 Electrical connection

- Before plugging in, ensure that the voltage and frequency shown on the rating plate correspond to your domestic power supply.
- The appliance must be earthed. The power supply cable plug is provided with a contact for this purpose. If the domestic power supply socket is not earthed, connect the appliance to a separate earth in compliance with current regulations, consulting a qualified electrician.
- The manufacturer declines all responsibility if the above safety precautions are not observed.
- This appliance complies with the E.E.C. Directives.

3.4 Ventilation requirements

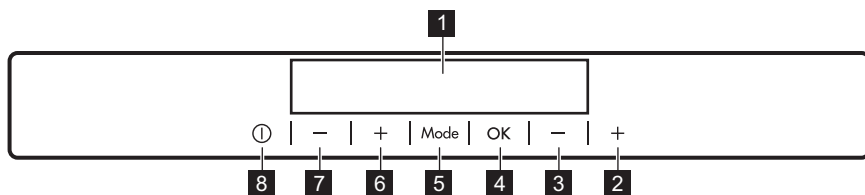
The airflow behind the appliance must be sufficient.



CAUTION!
Refer to the assembly instructions for the installation.

4. OPERATION

4.1 Control Panel

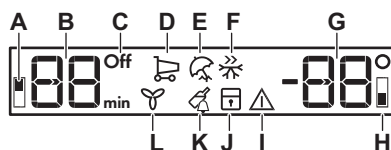


- 1** Display
- 2** Freezer Temperature warmer button
- 3** Freezer Temperature colder button
- 4** OK
- 5** Mode
- 6** Fridge Temperature warmer button

- 7** Fridge Temperature colder button
- 8** ON/OFF

It is possible to change predefined sound of buttons by pressing together Mode and temperature colder button for a few seconds. Change is reversible.


4.2 Display



- A.** Fridge compartment indicator
- B.** Timer indicator /Temperature indicator
- C.** ON/OFF indicator
- D.** Coolmatic function
- E.** Holiday mode
- F.** Frostmatic function
- G.** Temperature indicator
- H.** Freezer compartment indicator
- I.** Alarm indicator
- J.** ChildLock function
- K.** DrinksChill function
- L.** DYNAMICAIR function

4.3 Switching on

1. Connect the mains plug to the power socket.
2. Press the appliance ON/OFF if the display is off. The temperature indicators show the set default temperature.

 The alarm buzzer could operate after few seconds. To reset the alarm refer to "High temperature alarm".

To select a different set temperature refer to "Temperature regulation".

If "dEMo" appears on the display, refer to "Troubleshooting".

4.4 Switching off


1. Press the appliance ON/OFF for 5 seconds.
The display switches off.
2. Disconnect the mains plug from the power socket.

4.5 Temperature regulation

Set the temperature of the appliance by pressing the temperature regulators.
Default set temperature:

- +5°C for the fridge
- -18°C for the freezer


The temperature indicators show the set temperature.

 The set temperature will be reached within 24 hours. After a power failure the set temperature remains stored.

4.6 Switching on the fridge

To switch on the fridge it is enough to press the fridge temperature regulator.
To switch on the fridge in the other way:

1. Press Mode until the corresponding icon appears.
The Fridge OFF indicator flashes.
2. Press OK to confirm.
The fridge OFF indicator goes off.

 To select a different set temperature refer to "Temperature regulation".

4.7 Switching off the fridge


1. Press Mode until the corresponding icon appears.
The fridge OFF indicator and the fridge compartment indicator flash.
The fridge temperature indicator shows dashes.
2. Press OK to confirm.
The fridge OFF indicator is shown.

4.8 Coolmatic function

If you need to insert a large amount of warm food, for example after doing the grocery shopping, we suggest activating the Coolmatic function to chill the products more rapidly and to avoid warming the other food which is already in the refrigerator.

1. Press the Mode until the corresponding icon appears.
The Coolmatic indicator flashes.
2. Press the OK to confirm.
The Coolmatic indicator is shown.
The Coolmatic function shuts off automatically after approximately 6 hours.


To switch off the function before its automatic end, repeat the procedure.

 The function switches off by selecting a different fridge set temperature.

4.9 Holiday mode

This mode allows you to keep the appliance closed and empty during a long holiday period without the formation of bad odours.

1. Press the Mode until the corresponding icon appears.
The Holiday indicator flashes. The temperature indicator shows the set temperature.
2. Press the OK to confirm.
The Holiday indicator is shown.

 This mode switches off after selecting a different temperature.

4.10 Frostmatic function

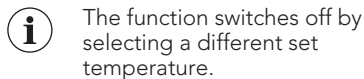
The Frostmatic function accelerates the freezing of fresh food and, at the same time, protects foodstuffs already stored from undesirable warming.

1. To activate this function press the Mode button until the corresponding icon appears.

The Frostmatic indicator flashes.

2. Press the OK button to confirm. The Frostmatic indicator is shown. This function stops automatically after 52 hours.

To switch off the function before its automatic end repeat the procedure until the Frostmatic indicator turns off.



4.11 ChildLock function

Activate the ChildLock function to lock the buttons from unintentional operation.

1. Press Mode until the corresponding icon appears.

The ChildLock indicator flashes.

2. Press OK to confirm. The ChildLock indicator is shown. To deactivate the ChildLock function, repeat the procedure until the ChildLock indicator goes off.

4.12 DrinksChill function

The DrinksChill function is to be used to set an acoustic alarm at the preferred time, useful for example when a recipe requires to cool down food products for a certain period of time.

It is also useful when a reminder is needed in order not to forget the bottles placed in the freezer for fast cooling.

1. Press Mode until the corresponding icon appears.

The DrinksChill indicator flashes.

The Timer shows the set value (30 minutes) for a few seconds.

2. Press the Timer regulator to change the Timer set value from 1 to 90 minutes.

3. Press OK to confirm.

The DrinksChill indicator is shown.

The Timer start to flash (min).

At the end of the countdown the DrinksChill indicator flashes and an audible alarm sounds. Press OK to switch off the sound and terminate the function.

To switch off the function repeat the procedure until the DrinksChill goes off.



It is possible to change the time at any time during the countdown and at the end by pressing the Temperature colder button and the Temperature warmer button.

4.13 High temperature alarm

An increase in the temperature in the freezer compartment (for example due to an earlier power failure) is indicated by flashing the alarm icon and freezer temperature indicators, and sounding of buzzer.

Press any button.

The buzzer switches off.

The freezer temperature indicator shows the highest temperature reached for a few seconds, then displays the set temperature again.



The alarm indicator continues to flash until the normal conditions are restored.

4.14 Door open alarm

If the door is left open for approximately 90 seconds, the acoustic alarm starts and alarm indicator flashes.

The alarm stops after closing the door.

During the alarm, the acoustic signal can be muted by pressing any button.

4.15 DYNAMICAIR function

To switch on the function:

1. Press the Mode button until the corresponding icon appears. The DYNAMICAIR indicator flashes.
2. Press the OK button to confirm. The DYNAMICAIR indicator is shown.

To switch off the function repeat the procedure until the DYNAMICAIR indicator icon goes off.



If the function is activated automatically the DYNAMICAIR indicator is not shown (refer to "Daily use").

The activation of the DYNAMICAIR function increase the energy consumption.

5. DAILY USE



WARNING!

Refer to Safety chapters.

5.1 Cleaning the interior

Before using the appliance for the first time, the interior and all internal accessories should be washed with lukewarm water and some neutral soap to remove the typical smell of a brand-new product, then dried thoroughly.



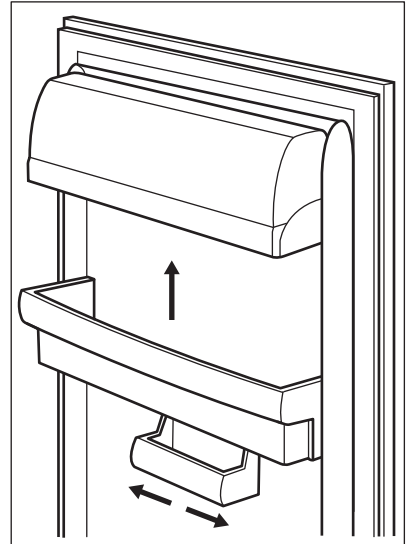
CAUTION!

Do not use detergents, abrasive powders, chlorine or oil-based cleaners as they will damage the finish.

5.2 Positioning the door shelves

To permit storage of food packages of various sizes, the door shelves can be placed at different heights.

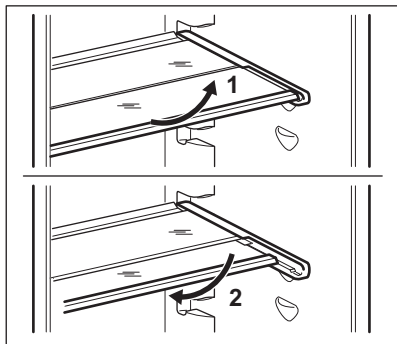
1. Gradually pull the shelf up until it comes free.
2. Reposition as required.



This model is equipped with a variable storage box which can be moved sideways.

5.3 Movable shelves

The walls of the refrigerator are equipped with a series of runners so that the shelves can be positioned as desired.

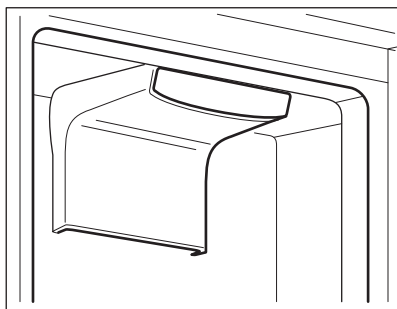


- i** Do not move the glass shelf above the vegetable drawer to ensure correct air circulation.

5.4 DYNAMICAIR

The refrigerator compartment is equipped with a device that allows rapid cooling of food and keeps a more uniform temperature in the compartment.

This device activates automatically when needed, for example for a quick temperature recovery after door opening or when the ambient temperature is high.



- i** It is possible to switch on the device manually when needed (refer to "DYNAMICAIR function").
- i** The DYNAMICAIR device stops when the door is open and restarts immediately after the door closing.

5.5 Freezing and storage of frozen food

The freezer compartment is suitable for freezing fresh food and storing frozen and deep-frozen food for a long time.

When first starting-up or after a period out of use, before putting the products in the compartment let the appliance run at least 2 hours with the Frostmatic function turned on.

To freeze fresh food place it in the middle compartment.

The maximum amount of food that can be frozen in 24 hours is specified on the **rating plate**, a label located on the inside of the appliance.

The freezing process lasts 24 hours, during this period do not add other food to be frozen.

- i** In the event of accidental defrosting, for example due to a power failure, if the power has been off for longer than the value shown in the technical characteristics chart under "rising time", the defrosted food must be consumed quickly or cooked immediately and then re-frozen (after cooling).

5.6 Thawing

Deep-frozen or frozen food, prior to being used, can be thawed in the refrigerator compartment or at room temperature, depending on the time available for this operation.

Small pieces may even be cooked still frozen, directly from the freezer: in this case, cooking will take longer.

5.7 Ice-cube production

This appliance is equipped with one or more trays for the production of ice-cubes.



Do not use metallic instruments to remove the trays from the freezer.

1. Fill these trays with water
2. Put the ice trays in the freezer compartment.

6. HINTS AND TIPS

6.1 Normal operating sounds

The following sounds are normal during operation:

- A faint gurgling and bubbling sound from coils sound when refrigerant is pumped.
- A whirring and pulsating sound from the compressor when refrigerant is pumped.
- A sudden cracking noise from inside appliance caused by thermic dilatation (a natural and not dangerous physical phenomenon).
- A faint click noise from the temperature regulator when the compressor switches on or off.

6.2 Hints for energy saving

- Do not open the door frequently or leave it open longer than absolutely necessary.

6.3 Hints for fresh food refrigeration

- Do not store warm food or evaporating liquids in the refrigerator.
- Cover or wrap the food, particularly if it has a strong flavour.
- Position food so that air can circulate freely around it.

6.4 Hints for refrigeration

Useful hints:

- Meat (all types): wrap in a suitable packaging and place it on the glass shelf above the vegetable drawer. Store meat for at most 1-2 days.
- Cooked foods, cold dishes: cover and place on any shelf.
- Fruit and vegetables: clean thoroughly and place in a special drawer. Bananas, potatoes, onions and garlic must not be kept in the refrigerator if not packed.

- Butter and cheese: place in a special airtight container or wrap in an aluminium foil or a polythene bag to exclude as much air as possible.
- Bottles: close with a cap and place on the door bottle shelf, or (if available) on the bottle rack.

6.5 Hints for freezing

- Freeze only top quality, fresh and thoroughly cleaned food products.
- For more efficient freezing and thawing divide food into small portions.
- Wrap the food in aluminium foil or polythene. Make sure that the packages are airtight.
- To avoid increase in temperature of already frozen food, do not place fresh unfrozen food directly next to it.
- Lean foods store better and longer than fatty ones. Salt reduces the storage life of food.
- Do not eat ice cubes, water ices or ice lollies immediately after taking them out of the freezer. Risk of frostbites.
- It is advisable to show the freezing date on each individual pack to enable you to keep tab of the storage time.


6.6 Hints for storage of frozen food


- Make sure that the commercially frozen food products were adequately stored by the retailer.
- Make sure that frozen foodstuffs are transferred from the food store to the freezer in the shortest possible time.
- Once defrosted, food deteriorates rapidly and cannot be refrozen.
- Do not exceed the storage period indicated by the food manufacturer.

7. CARE AND CLEANING

 **WARNING!**
Refer to Safety chapters.


7.1 General warnings


 **CAUTION!**
Unplug the appliance before carrying out any maintenance operation.

 This appliance contains hydrocarbons in its cooling unit; maintenance and recharging must therefore only be carried out by authorized technicians.

 The accessories and parts of the appliance are not suitable for washing in a dishwasher.

7.2 Periodic cleaning

 **CAUTION!**
Do not pull, move or damage any pipes and/or cables inside the appliance.

 **CAUTION!**
Do not damage the cooling system.

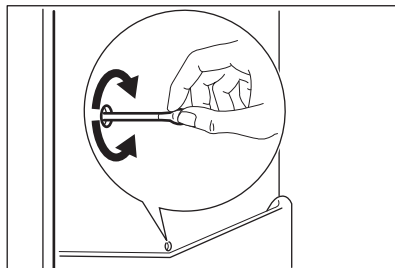
The equipment has to be cleaned regularly:

1. Clean the inside and accessories with lukewarm water and some neutral soap.
2. Regularly check the door seals and wipe them clean to ensure they are clean and free from debris.
3. Rinse and dry thoroughly.
4. If accessible, clean the condenser and the compressor at the back of the appliance with a brush.
This will improve the performance of the appliance and save electricity consumption.


7.3 Defrosting of the refrigerator


Frost is automatically eliminated from the evaporator of the refrigerator compartment every time the motor compressor stops, during normal use. The defrost water drains out through a trough into a special container at the back of the appliance, over the motor compressor, where it evaporates.

It is important to periodically clean the defrost water drain hole in the middle of the refrigerator compartment channel to prevent the water overflowing and dripping onto the food inside.



7.4 Defrosting of the freezer

 **CAUTION!**
Never use sharp metal tools to scrape off frost from the evaporator as you could damage it. Do not use a mechanical device or any artificial means to speed up the thawing process other than those recommended by the manufacturer. A temperature rise of the frozen food packs, during defrosting, may shorten their safe storage life.

 About 12 hours prior to defrosting, set a lower temperature, in order to build up sufficient chill reserve for the interruption in operation.

A certain amount of frost will always form on the freezer shelves and around the top compartment.

Defrost the freezer when the frost layer reaches a thickness of about 3-5 mm.

1. Switch off the appliance, or pull out electrical plug from the wall socket.
2. Remove any stored food, wrap it in several layers of newspaper and put it in a cool place.



WARNING!

Do not touch frozen goods with wet hands. Hands can freeze to the goods.

3. Leave the door open.
In order to speed up the defrosting process, place a pot of warm water in the freezer compartment. In addition, remove pieces of ice that break away before defrosting is complete.
4. When defrosting is completed, dry the interior thoroughly.
5. Switch on the appliance.
After three hours reload the previously removed food into the freezer compartment.

7.5 Periods of non-operation

When the appliance is not in use for long periods, take the following precautions:

1. Disconnect the appliance from electricity supply.
2. Remove all food.
3. Defrost the appliance (if necessary).
4. Clean the appliance and all accessories.
5. Leave the door/doors open to prevent unpleasant smells.



CAUTION!

If you want to keep the appliance switched on, ask somebody to check it once in a while to prevent the food inside from spoiling in case of a power failure. We recommend activating Holiday Mode.

8. TROUBLESHOOTING



WARNING!

Refer to Safety chapters.

8.1 What to do if...

Problem	Possible cause	Solution
The appliance does not operate.	The appliance is switched off.	Switch on the appliance.
	The mains plug is not connected to the mains socket correctly.	Connect the mains plug to the mains socket correctly.
	There is no voltage in the mains socket.	Connect a different electrical appliance to the mains socket. Contact a qualified electrician.
Audible or visual alarm is on.	The cabinet has been recently switched on or the temperature is too high.	Refer to "High temperature alarm".

Problem	Possible cause	Solution
	The temperature in the appliance is too high.	Contact a qualified electrician or contact the nearest Authorised Service Centre.
	The door is left open.	Close the door. Refer to "Door open alarm"
A  or  symbol is shown instead of numbers on the Temperature Display.	Temperature sensor problem.	Contact the nearest Authorised Service Centre (the cooling system will continue to keep food products cold, but temperature adjustment will not be possible).
The lamp does not work.	The lamp is in stand-by.	Close and open the door.
	The lamp is defective.	Contact the nearest Authorised Service Centre.
The compressor operates continually.	Temperature is set incorrectly.	Refer to "Operation".
	Many food products were put in at the same time.	Wait few hours and then check the temperature again.
	The room temperature is too high.	Refer to climate class chart on the rating plate.
	Food products placed in the appliance were too warm.	Allow food products to cool to room temperature before storing.
	The door is not closed correctly.	Refer to "Closing the door".
	The "Frostmatic function" or "Coolmatic function" is switched on.	Refer to "Frostmatic function" or "Coolmatic function".
There is too much frost and ice.	The door is not closed correctly or the gasket is deformed/dirty.	Refer to "Closing the door".
	Temperature is set incorrectly.	Refer to "Operation".
The compressor does not start immediately after pressing the "Frostmatic" or "Coolmatic", or after changing the temperature.	This is normal, no error has occurred.	The compressor starts after a period of time.

Problem	Possible cause	Solution
Water flows inside the refrigerator.	Food products prevent the water to flow into the water collector.	Make sure that food products do not touch the rear plate.
	The water outlet is clogged.	Clean the water outlet.
Water flows on the floor.	The melting water outlet is not connected to the evaporative tray above the compressor.	Attach the melting water outlet to the evaporative tray.
Temperature cannot be set.	The "Frostmatic function" or "Coolmatic function" is switched on.	Switch off "Frostmatic function" or "Coolmatic function" manually, or wait until the function resets automatically to set the temperature. Refer to "Frostmatic function" or "Coolmatic function".
dEMo appears on the display.	The appliance is in demonstration mode.	Keep the OK pressed for approximately 10 seconds until a long sound is heard and display shuts off for a short time.
The temperature in the appliance is too low/too high.	The temperature regulator is not set correctly.	Set a higher/lower temperature.
	The door is not closed correctly.	Refer to "Closing the door".
	The food products' temperature is too high.	Let the food products temperature decrease to room temperature before storage.
	Many food products are stored at the same time.	Add less food products at the same time.
	The thickness of the frost is greater than 4-5 mm.	Defrost the appliance.
	The door has been opened often.	Open the door only if necessary.
	The "Frostmatic function" or "Coolmatic function" is switched on.	Refer to "Frostmatic function" or "Coolmatic function".
	There is no cold air circulation in the appliance.	Make sure that there is cold air circulation in the appliance.

i If the advice does not lead to the desired result, contact the nearest Authorised Service Centre.

8.2 Replacing the lamp

The appliance is equipped with a longlife LED interior light.

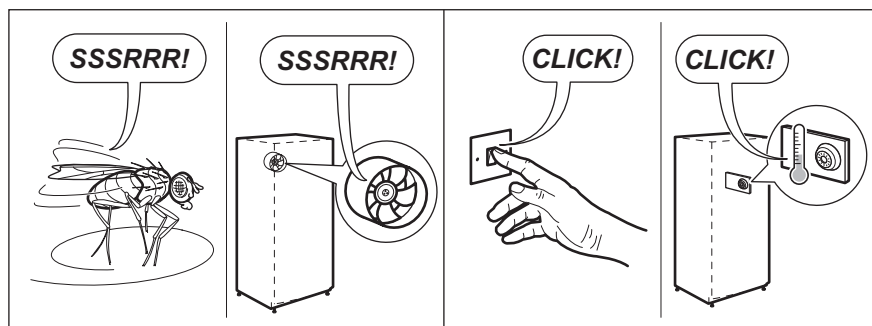
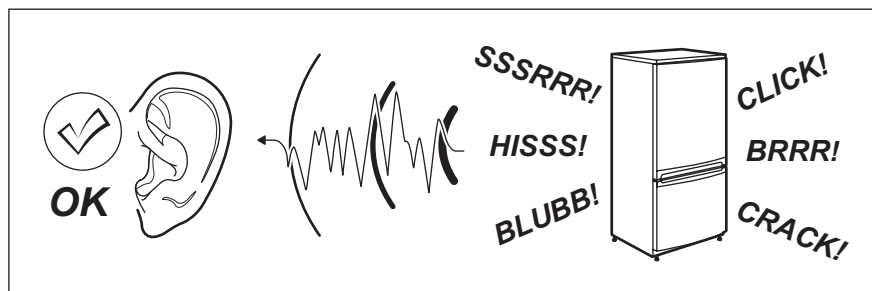
Only service is allowed to replace the lighting device. Contact your Authorised Service Centre.

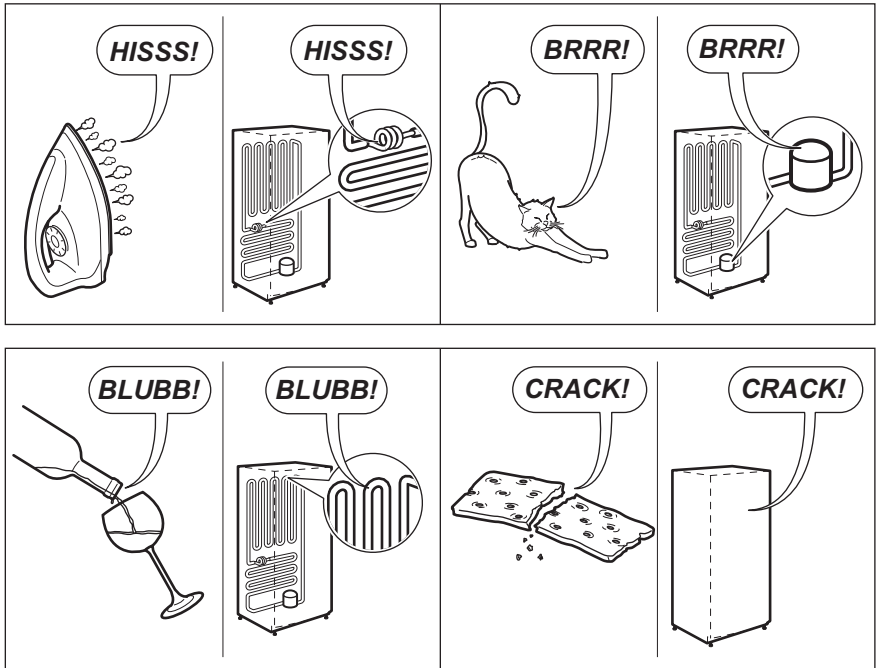
8.3 Closing the door

1. Clean the door gaskets.
2. If necessary, adjust the door. Refer to assembly instructions.
3. If necessary, replace the defective door gaskets. Contact the Authorised Service Centre.

9. NOISES

There are some sounds during normal running (compressor, refrigerant circulation).





10. TECHNICAL DATA

10.1 Product information sheet

Trade Mark	AEG
Model	SCE81821FS 925500019
Category	7. Refrigerator-freezer
Energy efficiency class	A++
Energy consumption in kWh per year, based on standard test results for 24 hours. The actual energy consumption will depend on how the appliance is used and where it is located	227
Storage volume in litres, Fridge	192
Storage volume in litres, Star	-
Storage volume in litres, Cellar zone	-
Storage volume in litres, Wine	-
Storage volume in litres, Total	264
Storage volume in litres, Freezer	72

Storage volume in litres, Chiller	-
Storage volume in litres, Other compartments	-
Star rating of freezer compartment with highest storage volume (l)	****
Design temperature of other compartments > 14 °C (°C), if any	-
Frost free (Y/N), Fridge	No
Frost free (Y/N), Freezer	No
Power cut safe in h	22
Freezing capacity in kg/24h	12
Climate class	SN-N-ST-T
Lowest ambient temperature at which this appliance is intended to be used, in °C	10
Highest ambient temperature at which this appliance is intended to be used, in °C	43
Acoustical noise emissions dB(A) re1 pW	35
Built in appliance Y/N	Yes
This appliance is intended to be used exclusively for the storage of wine Y/N	No


10.2 Additional technical data

Dimensions of the recess	
Height	1780 mm
Width	560 mm

Depth	550 mm
Voltage	230 - 240 V
Frequency	50 Hz

The technical information is situated in the rating plate, on the external or internal side of the appliance and on the energy label.

11. ENVIRONMENTAL CONCERNS

Recycle materials with the symbol . Put the packaging in relevant containers to recycle it. Help protect the environment and human health by recycling waste of electrical and electronic appliances. Do not dispose of


appliances marked with the symbol  with the household waste. Return the product to your local recycling facility or contact your municipal office.

TABLE DES MATIÈRES

1. INFORMATIONS DE SÉCURITÉ.....	20
2. CONSIGNES DE SÉCURITÉ.....	22
3. INSTALLATION.....	24
4. FONCTIONNEMENT.....	25
5. UTILISATION QUOTIDIENNE.....	29
6. CONSEILS.....	30
7. ENTRETIEN ET NETTOYAGE.....	32
8. DÉPANNAGE.....	34
9. BRUITS.....	37
10. CARACTÉRISTIQUES TECHNIQUES.....	38

POUR DES RÉSULTATS PARFAITS

Merci d'avoir choisi ce produit AEG. Nous l'avons conçu pour qu'il vous offre des performances irréprochables pour longtemps, en intégrant des technologies innovantes qui vous simplifient la vie grâce à des caractéristiques que vous ne trouverez pas forcément sur des appareils ordinaires. Veuillez prendre quelques instants pour lire cette notice afin d'utiliser au mieux votre appareil.

Visitez notre site Internet pour :



Obtenir des conseils d'utilisation, des brochures, de l'aide, des informations :
www.aeg.com/webselfservice



Enregistrez votre produit pour obtenir un meilleur service :
www.registreaeg.com



Acheter des accessoires, consommables et pièces de rechange d'origine pour votre appareil :
www.aeg.com/shop

SERVICE APRÈS-VENTE


Utilisez toujours des pièces d'origine.

Avant de contacter le service après-vente, assurez-vous de disposer des informations suivantes : Modèle, PNC, numéro de série.

Vous trouverez ces informations sur la plaque signalétique.

 Avertissement/Consignes de sécurité

 Informations générales et conseils

 Informations en matière de protection de l'environnement

Sous réserve de modifications.

1. INFORMATIONS DE SÉCURITÉ

Avant d'installer et d'utiliser cet appareil, lisez soigneusement les instructions fournies. Le fabricant ne pourra être tenu pour responsable des blessures et dégâts résultant d'une mauvaise installation ou

utilisation. Conservez toujours les instructions dans un lieu sûr et accessible pour vous y référer ultérieurement.

1.1 Sécurité des enfants et des personnes vulnérables

- Cet appareil peut être utilisé par des enfants de plus de 8 ans, ainsi que des personnes dont les capacités physiques, sensorielles et mentales sont réduites ou dont les connaissances et l'expérience sont insuffisantes, à condition d'être surveillés ou d'avoir reçu des instructions concernant l'utilisation sécurisée de l'appareil et de comprendre les risques encourus.
- Cet appareil peut être utilisé par des enfants entre 3 et 8 ans et des personnes ayant un handicap très important et complexe à condition d'avoir reçu de bonnes instructions.
- Les enfants de moins de 3 ans doivent être tenus à l'écart de l'appareil, à moins d'être surveillés en permanence.
- Ne laissez pas les enfants jouer avec l'appareil.
- Les enfants ne doivent pas nettoyer ni entreprendre une opération de maintenance sur l'appareil sans surveillance.
- Ne laissez pas les emballages à la portée des enfants et jetez-les convenablement.

1.2 Sécurité générale

- Cet appareil est conçu uniquement pour un usage domestique et des situations telles que :
 - dans des fermes, des coins cuisines réservés au personnel dans des magasins, bureaux et autres
 - l'utilisation par les clients des hôtels, motels, des environnements du type chambres d'hôtes et autres environnements à caractère résidentiel
- **AVERTISSEMENT** : Veillez à ce que les orifices de ventilation, situés dans l'enceinte de l'appareil ou dans la structure intégrée, ne soient pas obstrués.

- **AVERTISSEMENT** : N'utilisez aucun dispositif mécanique ou autre appareil pour accélérer le processus de dégivrage que ceux recommandés par le fabricant.
- **AVERTISSEMENT** : N'endommagez pas le circuit frigorifique.
- **AVERTISSEMENT** : N'utilisez pas d'appareils électriques à l'intérieur des compartiments de conservation des aliments de l'appareil, sauf s'ils sont du type recommandé par le fabricant.
- Ne pulvérisez pas d'eau ni de vapeur pour nettoyer l'appareil.
- Nettoyez l'appareil avec un chiffon doux humide. Utilisez uniquement des produits de lavage neutres. N'utilisez pas de produits abrasifs, de tampons à récurer, de solvants ni d'objets métalliques.
- Ne conservez aucune substance explosive dans cet appareil, comme des aérosols contenant un produit inflammable.
- Si le câble d'alimentation est endommagé, il doit être remplacé par le fabricant, son service après-vente ou des personnes de qualification similaire afin d'éviter un danger.

2. CONSIGNES DE SÉCURITÉ

2.1 Installation



AVERTISSEMENT!

L'appareil doit être installé uniquement par un professionnel qualifié.

- Retirez l'intégralité de l'emballage.
 - N'installez pas et ne branchez pas un appareil endommagé.
 - Pour des raisons de sécurité, n'utilisez pas l'appareil avant de l'avoir installé dans la structure encastrée.
 - Suivez scrupuleusement les instructions d'installation fournies avec l'appareil.
 - Soyez toujours vigilants lorsque vous déplacez l'appareil car il est lourd.
- Utilisez toujours des gants de sécurité et des chaussures fermées.
- Assurez-vous que l'air circule autour de l'appareil.
 - Lors de la première installation ou après avoir inversé la porte, attendez au moins 4 heures avant de brancher l'appareil sur le secteur. Cela permet à l'huile de refouler dans le compresseur.
 - Avant toute opération sur l'appareil (par ex. inversion de la porte), débranchez la fiche de la prise de courant.
 - N'installez pas l'appareil à proximité d'un radiateur, d'une cuisinière, d'un four ou d'une table de cuisson.
 - N'exposez pas l'appareil à la pluie.

- N'installez pas l'appareil dans un endroit exposé à la lumière directe du soleil.
- N'installez pas l'appareil dans une pièce trop humide ou trop froide.
- Lorsque vous déplacez l'appareil, veillez à le soulever par l'avant pour éviter de rayer le sol.
- L'appareil contient un sachet de dessiccateur. Ce n'est pas un jouet. Ce n'est pas un aliment. Jetez-le immédiatement.

2.2 Branchement électrique



AVERTISSEMENT!
Risque d'incendie ou d'électrocution.



AVERTISSEMENT!
Lorsque vous installez l'appareil, assurez-vous que le câble d'alimentation n'est pas coincé ou endommagé.



AVERTISSEMENT!
N'utilisez pas d'adaptateurs multiprises ni de rallonges.

- L'appareil doit être relié à la terre.
- Vérifiez que les paramètres figurant sur la plaque signalétique correspondent aux données électriques de votre réseau.
- Utilisez une prise correctement installée et protégée contre les chocs.
- Veillez à ne pas endommager les composants électriques tels que la fiche secteur, le câble d'alimentation ou le compresseur. Contactez le service après-vente agréé ou un électricien pour changer les composants électriques.
- Le câble d'alimentation doit rester en dessous du niveau de la fiche secteur.
- Ne branchez la fiche d'alimentation à la prise de courant qu'à la fin de l'installation. Assurez-vous que la prise principale est accessible une fois l'appareil installé.
- Ne tirez jamais sur le câble d'alimentation électrique pour débrancher l'appareil. Tirez toujours sur la fiche de la prise secteur.

2.3 Utilisation



AVERTISSEMENT!
Risque de blessures, de brûlures, d'électrocution ou d'incendie.



L'appareil contient un gaz inflammable, l'isobutane (R600a), un gaz naturel ayant un niveau élevé de compatibilité environnementale. Veillez à ne pas endommager le circuit frigorifique contenant de l'isobutane.

- Ne modifiez pas les caractéristiques de cet appareil.
- Ne placez aucun appareil électrique (sorbetière, etc.) dans l'appareil, en l'absence d'indications du fabricant.
- Si le circuit frigorifique est endommagé, assurez-vous de l'absence de flammes et de sources d'ignition dans la pièce. Aérez la pièce.
- Évitez tout contact d'éléments chauds avec les parties en plastique de l'appareil.
- Ne placez jamais de boissons gazeuses dans le congélateur. Cela engendrerait une pression sur le récipient de la boisson.
- Ne stockez jamais de gaz ou de liquide inflammable dans l'appareil.
- Ne placez pas de produits inflammables ou d'éléments imbibés de produits inflammables à l'intérieur ou à proximité de l'appareil, ni sur celui-ci.
- Ne touchez pas le compresseur ni le condenseur. Ils sont chauds.
- Ne retirez pas et ne touchez pas les éléments du compartiment congélateur avec les mains mouillées ou humides.
- Ne recongelez jamais un aliment qui a été décongelé.
- Respectez les instructions de stockage figurant sur l'emballage des aliments surgelés.
- Emballez les aliments dans un emballage adapté au contact avec des aliments avant de les placer dans le compartiment congélateur.

2.4 Éclairage intérieur



AVERTISSEMENT!
Risque d'électrocution !

- Le type d'ampoule utilisé pour cet appareil est uniquement destiné aux appareils domestiques. Ne les utilisez pas pour éclairer votre logement.

2.5 Entretien et nettoyage



AVERTISSEMENT!
Risque de blessure corporelle ou de dommages matériels.

- Avant toute opération d'entretien, éteignez l'appareil et débranchez la fiche de la prise secteur.
- Cet appareil contient des hydrocarbures dans son circuit de réfrigération. L'entretien et la recharge du circuit de réfrigération doivent être effectués par un professionnel qualifié.
- Examinez régulièrement l'écoulement de l'appareil et si nécessaire, nettoyez-le. Si l'orifice est bouché, l'eau provenant du dégivrage s'écoulera en bas de l'appareil.

2.6 Maintenance

- Pour réparer l'appareil, contactez un service après-vente agréé.
- Utilisez exclusivement des pièces d'origine.

2.7 Mise au rebut



AVERTISSEMENT!
Risque de blessure ou d'asphyxie.

- Débranchez l'appareil de l'alimentation électrique.
- Coupez le câble d'alimentation et mettez-le au rebut.
- Retirez la porte pour empêcher les enfants et les animaux de s'enfermer dans l'appareil.
- Le circuit frigorifique et les matériaux d'isolation de cet appareil préservent la couche d'ozone.
- La mousse isolante contient un gaz inflammable. Contactez votre service municipal pour obtenir des informations sur la marche à suivre pour mettre l'appareil au rebut.
- N'endommagez pas la partie du circuit de réfrigération située à proximité du condenseur thermique.

3. INSTALLATION



AVERTISSEMENT!
Reportez-vous aux chapitres concernant la sécurité.

3.1 Emplacement



Consultez la notice de montage lors de l'installation.

Pour assurer des performances optimales, l'appareil ne doit pas être installé près d'une source de chaleur telle qu'un radiateur, une chaudière, la lumière directe du soleil, etc. Assurez-vous que l'air circule librement à l'arrière de l'appareil.

3.2 Positionnement

Installez cet appareil dans une pièce intérieure sèche et bien ventilée où la température ambiante correspond à la classe climatique indiquée sur la plaque signalétique de l'appareil.

Classe climatique	Température ambiante
SN	+10 °C à +32 °C
N	+16 °C à + 32 °C
ST	+16 °C à + 38 °C
T	+16 °C à + 43 °C



Des problèmes fonctionnels peuvent survenir sur certains types de modèles fonctionnant hors de cette plage de températures. Seul le respect de la plage de températures spécifiée peut garantir un bon fonctionnement de l'appareil. En cas de doute concernant l'emplacement d'installation de l'appareil, veuillez contacter le vendeur, notre service après-vente ou le centre de réparation agréé le plus proche.

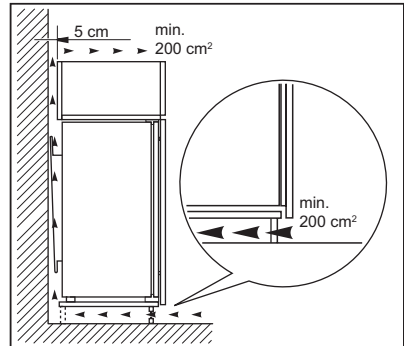
3.3 Branchement électrique

- Avant de brancher l'appareil, assurez-vous que la tension et la fréquence indiquées sur la plaque signalétique correspondent à celles de votre réseau électrique domestique.
- L'appareil doit être relié à la terre. La fiche du cordon d'alimentation est fournie avec un contact à cette fin. Si la prise de courant n'est pas mise à la terre, branchez l'appareil à une mise à la terre séparée conformément aux réglementations en vigueur, en consultant un électricien spécialisé.

- Le fabricant décline toute responsabilité en cas de non-respect de ces consignes de sécurité.
- Cet appareil est conforme aux directives CEE.

3.4 Exigences en matière de ventilation

Veillez à garantir une circulation d'air suffisante à l'arrière de l'appareil.

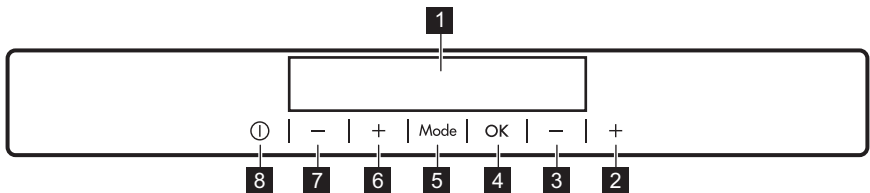


ATTENTION!

Consultez la notice de montage lors de l'installation.

4. FONCTIONNEMENT

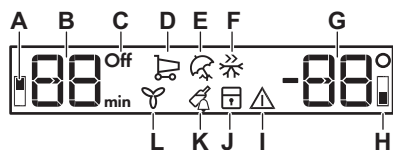
4.1 Bandeau de commande



- | | |
|---|---|
| 1 Affichage | 5 Mode |
| 2 Touche d'augmentation de la température du congélateur | 6 Touche d'augmentation de la température du réfrigérateur |
| 3 Touche de diminution de la température du congélateur | 7 Touche de diminution de la température du réfrigérateur |
| 4 OK | 8 ON/OFF |

Pour modifier la tonalité prédéfinie des touches, appuyez simultanément sur la touche Mode et la touche de diminution

4.2 Affichage



de la température pendant plusieurs secondes. Ce changement est réversible.

- A. Voyant du compartiment réfrigérateur
- B. Affichage de la minuterie /Indicateur de température
- C. Voyant ON/OFF
- D. Fonction Coolmatic
- E. Mode Holiday
- F. Fonction Frostmatic
- G. Indicateur de température
- H. Voyant du compartiment congélateur
- I. Voyant d'alarme
- J. Fonction ChildLock
- K. Fonction DrinksChill
- L. Fonction DYNAMICAIR

4.3 Mise en marche

1. Branchez la fiche électrique de l'appareil à la prise de courant.
2. Appuyez sur la touche ON/OFF de l'appareil si l'affichage est éteint. Les indicateurs de température indiquent la température programmée par défaut.

i L'alarme sonore peut se déclencher au bout de quelques secondes. Pour réinitialiser l'alarme, reportez-vous au paragraphe « Alarme haute température ».

Pour sélectionner une température différente, reportez-vous au paragraphe « Réglage de la température ».

Si "dEMo" s'affiche, reportez-vous au chapitre « En cas d'anomalie de fonctionnement ».

4.4 Mise à l'arrêt

1. Appuyez sur la touche ON/OFF de l'appareil pendant 5 secondes. L'affichage s'éteint.
2. Débranchez la fiche électrique de l'appareil de la prise de courant.

4.5 Réglage de la température

Réglez la température de l'appareil en appuyant sur les touches de température.

Température par défaut :

- +5 °C dans le réfrigérateur
- -18 °C dans le congélateur

Les indicateurs de température affichent la température programmée.

i La température programmée sera atteinte sous 24 heures. Après une coupure de courant, la température programmée reste enregistrée.


4.6 Mise en fonctionnement du réfrigérateur

Pour allumer le réfrigérateur, il vous suffit d'appuyer sur la touche de réglage de la température du réfrigérateur. Pour allumer le réfrigérateur d'une autre façon :

1. Appuyez sur la touche Mode jusqu'à ce que le symbole correspondant s'affiche.

L'indicateur OFF du réfrigérateur clignote.

2. Appuyez sur OK pour confirmer. Le voyant OFF du réfrigérateur s'éteint.

-  Pour sélectionner une température différente, reportez-vous au paragraphe « Réglage de la température ».

4.7 Mise à l'arrêt du réfrigérateur

1. Appuyez sur la touche Mode jusqu'à ce que le symbole correspondant s'affiche.

L'indicateur OFF du réfrigérateur et le voyant du compartiment réfrigérateur clignotent.

L'indicateur de température du réfrigérateur affiche des tirets.

2. Appuyez sur OK pour confirmer. L'indicateur OFF du réfrigérateur s'allume.

4.8 Fonction Coolmatic

Si vous devez ranger une grande quantité d'aliments dans votre réfrigérateur, par exemple après avoir fait vos courses, nous vous suggérons d'activer la fonction Coolmatic : elle permet de refroidir rapidement les aliments tout en évitant le réchauffement des denrées déjà stockées dans le réfrigérateur.

1. Appuyez sur la touche Mode jusqu'à ce que le symbole correspondant s'affiche.


L'indicateur Coolmatic clignote.

2. Appuyez sur OK pour confirmer.

L'indicateur Coolmatic s'affiche.

La fonction Coolmatic se désactive automatiquement au bout d'environ 6 heures.

Pour désactiver la fonction avant sa désactivation automatique, répétez la procédure.

-  La fonction se désactive lorsque vous sélectionnez une température différente pour le réfrigérateur.

4.9 Mode Holiday

Ce mode vous permet de laisser l'appareil vide et fermé pendant une

longue période sans formation de mauvaises odeurs.


1. Appuyez sur la touche Mode jusqu'à ce que le symbole correspondant s'affiche.

L'indicateur Holiday clignote.

L'indicateur de température indique la température programmée.

2. Appuyez sur OK pour confirmer.

L'indicateur Holiday s'affiche.

-  Le mode se désactive lorsque vous sélectionnez une température différente.

4.10 Fonction Frostmatic

La fonction Frostmatic accélère la congélation des aliments frais et protège en même temps les denrées déjà entreposées d'un réchauffement indésirable.

1. Pour activer cette fonction, appuyez sur la touche Mode jusqu'à ce que le symbole correspondant s'affiche.


L'indicateur Frostmatic clignote.

2. Appuyez sur la touche OK pour confirmer.

L'indicateur Frostmatic s'affiche.

Cette fonction s'arrête automatiquement au bout de 52 heures.

Pour désactiver la fonction avant qu'elle ne s'arrête automatiquement, répétez la procédure jusqu'à ce que le voyant Frostmatic s'éteigne.

-  La fonction se désactive lorsque vous sélectionnez une température différente.

4.11 Fonction ChildLock

Activez la fonction ChildLock pour verrouiller les touches et éviter toute opération accidentelle.

1. Appuyez sur la touche Mode jusqu'à ce que le symbole correspondant s'affiche.

L'indicateur ChildLock clignote.

2. Appuyez sur OK pour confirmer.

L'indicateur ChildLock s'affiche.

Pour désactiver la fonction ChildLock, répétez la procédure jusqu'à ce que le voyant ChildLock s'éteigne.

4.12 Fonction DrinksChill

La fonction DrinksChill doit être utilisée pour le réglage d'une alarme sonore à une heure souhaitée, ce qui est utile, par exemple, lorsque l'on souhaite refroidir une préparation pendant un certain temps dans le cadre d'une recette de cuisine.

Elle est également utile lorsque vous avez besoin d'un rappel pour ne pas oublier que vous avez placé des bouteilles dans le congélateur pour les refroidir rapidement.

1. Appuyez sur la touche Mode jusqu'à ce que le symbole correspondant s'affiche.

L'indicateur DrinksChill clignote. Le minuteur indique pendant quelques secondes la valeur programmée (30 minutes).

2. Appuyez sur la touche de réglage de la minuterie pour modifier la valeur programmée (de 1 à 90 minutes).

3. Appuyez sur OK pour confirmer.

L'indicateur DrinksChill s'affiche.

Le minuteur se met à clignoter (min).

Une fois la durée programmée écoulée, le voyant DrinksChill clignote et un signal sonore retentit. Appuyez sur la touche OK pour arrêter le signal sonore et désactiver la fonction.

Pour désactiver la fonction, répétez la procédure jusqu'à ce que DrinksChill s'éteigne.



Il est possible de modifier la durée à tout moment et avant la fin du décompte en appuyant sur la touche de diminution de la température et sur la touche d'augmentation de la température.

4.13 Alarme haute température

Une augmentation de la température dans le compartiment congélateur (par exemple à cause d'une coupure de

courant) est indiquée par le clignotement du symbole d'alarme et des indicateurs de température du congélateur et par le déclenchement de l'alarme sonore.

Appuyez sur une touche quelconque.

L'alarme s'éteint.

L'indicateur de température/voyant du thermostat du congélateur affiche pendant quelques secondes la température la plus élevée atteinte, puis affiche à nouveau la température programmée.



Le voyant d'alarme continue de clignoter jusqu'à ce que les conditions normales soient restaurées.

4.14 Alarme de porte ouverte

Si la porte reste ouverte pendant environ 90 secondes, le signal sonore se déclenche et le voyant d'alarme clignote.

L'alarme s'interrompt dès que vous fermez la porte. Lorsque l'alarme se déclenche, le signal sonore peut être désactivé en appuyant sur n'importe quelle touche.

4.15 Fonction DYNAMICAIR

Pour activer cette fonction :

1. Appuyez sur la touche Mode jusqu'à ce que le symbole correspondant s'affiche.

L'indicateur DYNAMICAIR clignote.

2. Appuyez sur la touche OK pour confirmer.

L'indicateur DYNAMICAIR s'affiche.

Pour désactiver la fonction, répétez la procédure jusqu'à ce que le voyant DYNAMICAIR s'éteigne.



Si la fonction est activée automatiquement, le voyant DYNAMICAIR reste éteint (reportez-vous à la section « Utilisation quotidienne »). L'activation de la fonction DYNAMICAIR augmente la consommation d'électricité.

5. UTILISATION QUOTIDIENNE



AVERTISSEMENT!
Reportez-vous aux chapitres concernant la sécurité.

5.1 Nettoyage de l'intérieur

Avant d'utiliser l'appareil pour la première fois, nettoyez l'intérieur et tous les accessoires avec de l'eau tiède savonneuse (pour supprimer toute odeur de neuf), puis séchez-les soigneusement.

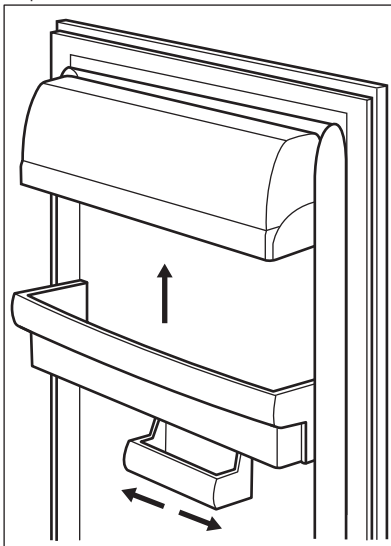


ATTENTION!
N'utilisez jamais de détergents, de produits abrasifs, de nettoyeurs à base de chlore ou d'huile car ils pourraient endommager le revêtement.

5.2 Mise en place des balconnets de la porte

En fonction de la taille des emballages des aliments conservés, les balconnets de la porte peuvent être positionnés à différentes hauteurs.

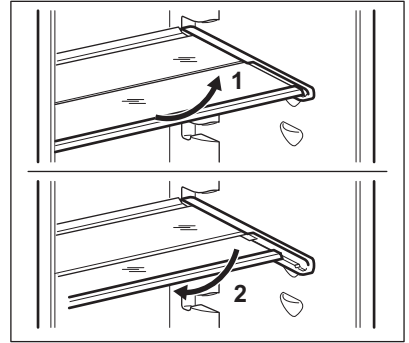
1. Soulevez doucement le balconnet jusqu'à ce qu'il se détache.
2. Repositionnez-le selon les besoins.



Le modèle est équipé d'un bac de rangement réglable qui peut glisser latéralement.

5.3 Clayettes amovibles

Les parois du réfrigérateur sont équipées d'une série de glissières afin que les clayettes puissent être positionnées comme vous le souhaitez.

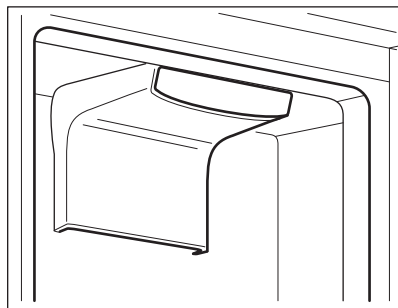


Ne modifiez pas l'emplacement de la clayette en verre située au-dessus du bac à légumes, afin de garantir une circulation d'air optimale.

5.4 DYNAMICAIR

Le réfrigérateur comporte un dispositif permettant un refroidissement rapide des aliments et maintenant une température plus homogène dans le compartiment.

Ce dispositif s'active automatiquement en cas de besoin, par exemple pour rafraîchir rapidement le réfrigérateur lorsque la porte est laissée ouverte ou si la température ambiante est élevée.



i Vous pouvez également activer manuellement le dispositif si nécessaire (reportez-vous au chapitre « Fonction DYNAMICAIR »).

i La fonction DYNAMICAIR s'arrête si la porte est ouverte et redémarre sitôt la porte refermée.

5.5 Congélation et rangement des produits surgelés

Le compartiment congélateur est idéal pour congeler des aliments frais et conserver longtemps des aliments congelés ou surgelés.

Lors de la mise en service ou après un arrêt prolongé, laissez fonctionner l'appareil pendant 2 heures environ avec la fonction Frostmatic activée avant d'introduire les produits dans le compartiment.

Pour congeler des aliments frais, placez-les dans le compartiment du milieu.

La quantité maximale d'aliments frais que vous pouvez congeler par tranche de 24 heures est indiquée sur la **plaque signalétique** (située à l'intérieur de l'appareil).

Le processus de congélation demande 24 heures. Vous ne devez ajouter aucun autre aliment à congeler pendant cette période.

i En cas de décongélation accidentelle, due par exemple à une coupure de courant, si la coupure a duré plus de temps qu'indiqué au paragraphe « Autonomie de fonctionnement » du chapitre « Caractéristiques techniques », consommez rapidement les aliments décongelés ou cuisez-les immédiatement avant de les recongeler (une fois refroidis).

5.6 Décongélation

Avant utilisation, les aliments surgelés ou congelés peuvent être décongelés dans le compartiment réfrigérateur ou à température ambiante en fonction de temps disponible pour cette opération.

Les petites portions peuvent même être cuites sans décongélation préalable ; la cuisson sera cependant un peu plus longue.

5.7 Production de glaçons

Cet appareil est équipé d'un ou plusieurs bacs à glaçons.

i N'utilisez pas d'instruments métalliques pour décoller les bacs du congélateur.

1. Remplissez les bacs avec de l'eau
2. Placez les bacs à glaçons dans le compartiment congélateur.

6. CONSEILS

6.1 Bruits normaux de fonctionnement

Les bruits suivants sont normaux lorsque l'appareil est en cours de fonctionnement :

- Un léger gargouillis lorsque le liquide réfrigérant est pompé.
- Un ronronnement et un bruit de pulsation provenant du compresseur lorsque le liquide réfrigérant est pompé.

- Un bruit de craquement soudain provenant de l'intérieur de l'appareil provoqué par une dilatation thermique (un phénomène naturel et inoffensif).
- Un léger cliquetis du thermostat lorsque le compresseur s'active ou se désactive.

6.2 Conseils d'économie d'énergie

- Évitez d'ouvrir trop souvent la porte du congélateur et ne la laissez ouverte que le temps nécessaire.

6.3 Conseils pour la réfrigération des aliments frais

- Ne placez pas les aliments chauds ou les liquides bouillants dans le réfrigérateur.
- Couvrez ou enveloppez les aliments, surtout s'ils sont forts en saveurs.
- Placez correctement les aliments pour que l'air puisse circuler librement autour

6.4 Conseils pour la réfrigération

Conseil utiles :

- Viande (tous types de viande) : emballez-la dans un emballage adapté et placez-la sur l'étagère en verre au-dessus du bac à légumes. Ne conservez la viande que 1 ou 2 jours au plus.
- Aliments cuits, plats froids : couvrez-les et placez-les sur une étagère.
- Fruits et légumes : nettoyez-les soigneusement et placez-les dans le bac spécial. Bananes, pommes de terre, oignons et ail ne doivent pas être mis dans le réfrigérateur, s'ils ne sont pas emballés.
- Beurre et fromage : placez-les dans le compartiment spécial, étanche à l'air, ou enveloppez-les dans une feuille d'aluminium ou un sachet en polyéthylène, pour les tenir autant que possible à l'abri de l'air.
- Bouteilles : elles doivent être munies d'un bouchon et être placées sur le

porte-bouteilles ou (s'il est installé) dans le balconnet à bouteilles de la porte.

6.5 Conseils pour la congélation

- Congelez uniquement des aliments frais, de qualité supérieure et propres.
- Pour une congélation et une décongélation plus efficaces, séparez les aliments en petites portions.
- Emballez les aliments dans du papier aluminium ou en polyéthylène. Assurez-vous que les emballages sont hermétiques.
- Pour éviter d'augmenter la température des aliments déjà surgelés, ne placez pas d'aliments frais non congelés directement à proximité.
- Les aliments faibles en gras se conservent mieux et plus longtemps que les aliments gras. Le sel diminue la durée de conservation des aliments.
- Ne mangez pas les glaçons, les glaces à l'eau ou les bâtonnets glacés dès leur sortie du congélateur. Risque de gelure !
- Il est conseillé d'indiquer la date de congélation des aliments sur chaque paquet afin de garder une trace du temps de conservation.

6.6 Conseils pour le stockage des aliments surgelés

- Assurez-vous que les denrées surgelées achetées dans le commerce ont été correctement entreposées par le revendeur.
- Prévoyez un temps réduit au minimum pour le transport des denrées du magasin d'alimentation à votre domicile.
- Une fois décongelés, les aliments se détériorent rapidement et ne peuvent être recongelés.
- Ne dépassez pas la durée de conservation indiquée par le fabricant.

7. ENTRETIEN ET NETTOYAGE



AVERTISSEMENT!

Reportez-vous aux chapitres concernant la sécurité.

Cette opération améliore les performances de l'appareil et permet des économies d'électricité.

7.1 Avertissements généraux



ATTENTION!

Débranchez l'appareil avant toute opération d'entretien et de nettoyage.



Cet appareil contient des hydrocarbures dans son circuit de réfrigération ; l'entretien et la recharge ne doivent donc être effectués que par du personnel qualifié.



Les pièces et accessoires de l'appareil ne doivent pas être lavés au lave-vaisselle.

7.2 Nettoyage périodique



ATTENTION!

Ne tirez pas, ne déplacez pas, n'endommagez pas les tuyaux et/ou câbles qui se trouvent à l'intérieur de l'appareil.



ATTENTION!

N'endommagez pas le circuit de refroidissement.

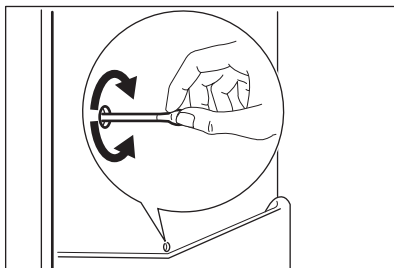
L'appareil doit être nettoyé régulièrement :

1. Nettoyez l'intérieur et les accessoires avec de l'eau tiède et additionnée d'un détergent doux.
2. Vérifiez régulièrement les joints de porte et essuyez-les pour vous assurer qu'ils sont propres et ne contiennent pas de résidus.
3. Rincez et séchez soigneusement.
4. S'ils sont accessibles, nettoyez le condenseur et le compresseur situés à l'arrière de l'appareil avec une brosse.

7.3 Dégivrage du réfrigérateur

En fonctionnement normal, le givre est automatiquement éliminé de l'évaporateur du compartiment réfrigérateur à chaque fois que le compresseur s'arrête. L'eau de dégivrage est collectée dans un récipient spécial situé à l'arrière de l'appareil, au-dessus du compresseur, d'où elle s'évapore.

Il est important de nettoyer régulièrement l'orifice d'écoulement de la goutte d'évacuation de l'eau de dégivrage située au milieu du compartiment réfrigérateur pour empêcher l'eau de déborder et de couler à l'intérieur de l'appareil.



7.4 Dégivrage du congélateur



ATTENTION!

N'utilisez en aucun cas d'objets métalliques ou tranchants pour gratter la couche de givre sur l'évaporateur, car vous risqueriez de le détériorer. N'utilisez aucun dispositif mécanique ou autre moyen artificiel pour accélérer le processus de dégivrage hormis ceux recommandés par le fabricant. Une élévation de la température des denrées congelées, pendant le dégivrage, peut réduire leur durée de conservation.



Mettez le thermostat sur la température la plus basse 12 heures avant d'effectuer le dégivrage afin d'assurer une réserve de froid suffisante.

Une certaine quantité de givre se forme toujours sur les clayettes du congélateur et autour du compartiment supérieur.

Dégivrez le congélateur lorsque l'épaisseur de la couche de givre est comprise entre 3 et 5 mm.

1. Éteignez l'appareil, ou débranchez la fiche de la prise secteur.
2. Sortez les denrées congelées, enveloppez-les dans plusieurs feuilles de papier journal et conservez-les dans un endroit frais.



AVERTISSEMENT!

Ne touchez pas les produits congelés et les surfaces givrées avec les mains humides. Risque de brûlures ou d'arrachement de la peau.

3. Laissez la porte ouverte. Le dégivrage peut être accéléré en plaçant un récipient d'eau chaude dans le compartiment congélateur. Retirez également les morceaux de glace au fur et à mesure qu'ils se détachent, avant que le processus de dégivrage ne soit terminé.
4. Une fois le dégivrage terminé, séchez bien l'intérieur.
5. Mettez l'appareil en marche. Au bout de 3 heures, remplacez les produits congelés dans le compartiment congélateur.

7.5 En cas de non-utilisation prolongée

Si l'appareil n'est pas utilisé pendant de longues périodes, prenez les précautions suivantes :

1. Débranchez l'appareil de l'alimentation électrique.
2. Retirez tous les aliments.
3. Dégivrez l'appareil (si nécessaire).
4. Nettoyez l'appareil et tous les accessoires.
5. Laissez la porte/les portes ouverte(s) pour éviter la formation d'odeurs désagréables.



ATTENTION!

Si, toutefois, vous n'avez pas la possibilité de débrancher et de vider l'appareil, faites vérifier régulièrement le bon de fonctionnement de celui-ci pour éviter que les aliments qu'il contient ne pourrissent en cas de coupure de courant. Nous vous recommandons d'activer le mode Holiday.

8. DÉPANNAGE



AVERTISSEMENT!

Reportez-vous aux chapitres concernant la sécurité.

8.1 En cas d'anomalie de fonctionnement

Problème	Cause probable	Solution
L'appareil ne fonctionne pas du tout.	L'appareil est éteint.	Mettez l'appareil en marche.
	La fiche du câble d'alimentation n'est pas correctement insérée dans la prise de courant.	Branchez correctement la fiche du câble d'alimentation dans la prise de courant.
	La prise de courant n'est pas alimentée.	Branchez un autre appareil électrique à la prise de courant. Contactez un électricien qualifié.
Les signaux sonores et visuels sont activés.	L'appareil a récemment été mis en marche ou la température est trop élevée.	Consultez le paragraphe « Alarme haute température ».
	La température à l'intérieur de l'appareil est trop élevée.	Contactez un électricien qualifié ou le service après-vente agréé le plus proche.
	La porte est laissée ouverte.	Fermez la porte. Reportez-vous au chapitre « Alarme porte ouverte ».
Un symbole  ou  apparaît à la place des chiffres sur l'écran de température.	Problème de capteur de température.	Contactez le service après-vente agréé le plus proche (le système de réfrigération continuera de maintenir les aliments au froid, mais le réglage de la température n'est pas possible).
L'éclairage ne fonctionne pas.	L'éclairage est en mode veille.	Fermez puis ouvrez la porte.
	L'éclairage est défectueux.	Contactez le service après-vente agréé le plus proche.
Le compresseur fonctionne en permanence.	Il y a une erreur dans le réglage de la température.	Reportez-vous au chapitre « Fonctionnement ».

Problème	Cause probable	Solution
	Trop de produits ont été introduits simultanément.	Attendez quelques heures et vérifiez de nouveau la température.
	La température ambiante est trop élevée.	Reportez-vous au tableau des classes climatiques de la plaque signalétique.
	Les aliments introduits dans l'appareil étaient trop chauds.	Laissez refroidir les aliments à température ambiante avant de les mettre dans l'appareil.
	La porte n'est pas fermée correctement.	Reportez-vous au chapitre « Fermeture de la porte ».
	La « fonction Frostmatic » ou la « fonction Coolmatic » est allumée.	Reportez-vous au chapitre « Fonction Frostmatic » ou « Fonction Coolmatic ».
Il y a trop de givre et de glace.	La porte n'est pas correctement fermée ou le joint est déformé/sale.	Reportez-vous au chapitre « Fermeture de la porte ».
	Il y a une erreur dans le réglage de la température.	Reportez-vous au chapitre « Fonctionnement ».
Le compresseur ne démarre pas immédiatement après avoir appuyé sur la touche « Frostmatic » ou « Coolmatic », ou après avoir changé la température.	Ce phénomène est normal, il ne s'agit pas d'une anomalie.	Le compresseur démarre au bout d'un certain temps.
De l'eau s'écoule à l'intérieur du réfrigérateur.	Des aliments empêchent l'eau de s'écouler dans le réservoir d'eau.	Assurez-vous que les produits ne touchent pas la plaque arrière.
	L'orifice d'écoulement de l'eau de dégivrage est obstrué.	Nettoyez l'orifice d'écoulement de l'eau de dégivrage.
De l'eau coule sur le sol.	Le tuyau d'évacuation de l'eau de dégivrage n'est pas raccordé au bac d'évaporation situé au-dessus du compresseur.	Fixez le tuyau d'évacuation de l'eau au bac d'évaporation de l'eau de dégivrage.

Problème	Cause probable	Solution
Il est impossible de régler la température.	La « fonction Frostmatic » ou la « fonction Coolmatic » est allumée.	Désactivez manuellement la « fonction Frostmatic » ou la « fonction Coolmatic », ou attendez que la fonction se réinitialise automatiquement avant de régler la température. Reportez-vous au chapitre « Fonction Frostmatic » ou « Fonction Coolmatic ».
dEMo apparaisse.	L'appareil est en mode démonstration.	Maintenez les touches OK et enfoncées pendant environ 10 secondes, jusqu'à ce qu'un long signal sonore retentisse et que l'affichage s'éteigne pendant un court instant.
La température à l'intérieur de l'appareil est trop basse/ élevée.	Le thermostat n'est pas réglé correctement.	Augmentez/réduisez la température.
	La porte n'est pas fermée correctement.	Reportez-vous au chapitre « Fermeture de la porte ».
	La température des produits est trop élevée.	Laissez les aliments refroidir à température ambiante avant de les placer dans l'appareil.
	Trop de produits ont été introduits simultanément.	Introduisez moins de produits en même temps.
	L'épaisseur de givre est supérieure à 4 - 5 mm.	Dégivrez l'appareil.
	La porte a été ouverte trop souvent.	N'ouvrez la porte qu'en cas de nécessité.
	La « fonction Frostmatic » ou la « fonction Coolmatic » est allumée.	Reportez-vous au chapitre « Fonction Frostmatic » ou « Fonction Coolmatic ».
	L'air froid ne circule pas dans l'appareil.	Assurez-vous que de l'air froid circule dans l'appareil.



Si ces conseils n'apportent pas de solution à votre problème, veuillez consulter le service après-vente agréé le plus proche.

8.2 Remplacement de l'éclairage

L'appareil est équipé d'un éclairage à LED longue durée.

Le remplacement du dispositif d'éclairage doit uniquement être effectué par un technicien du service

après-vente. Contactez votre service après-vente agréé.

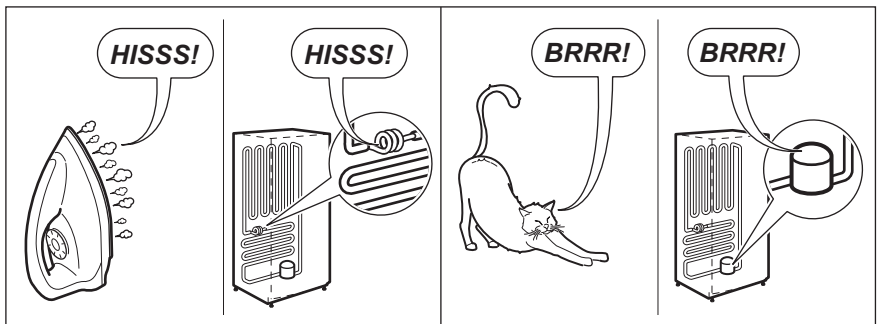
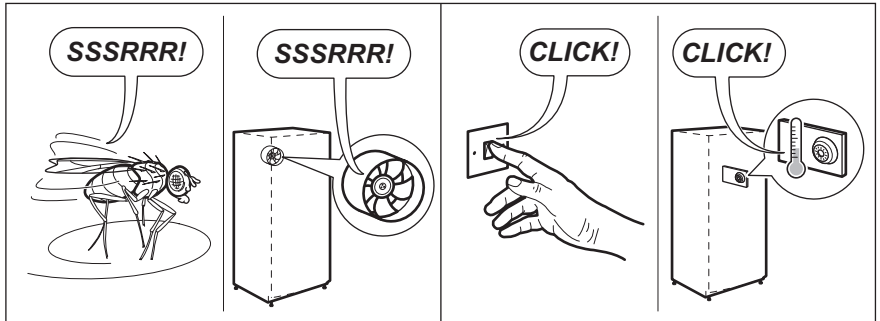
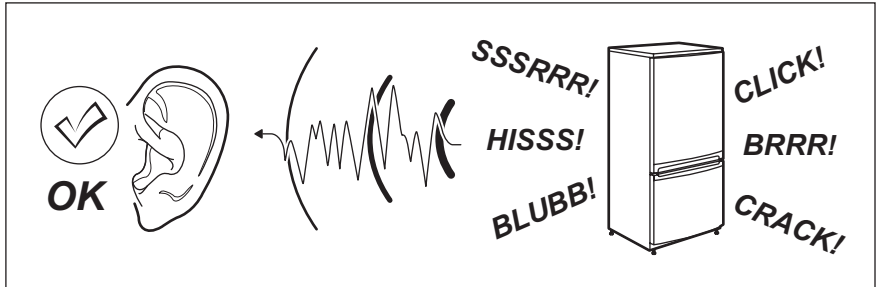
8.3 Fermeture de la porte

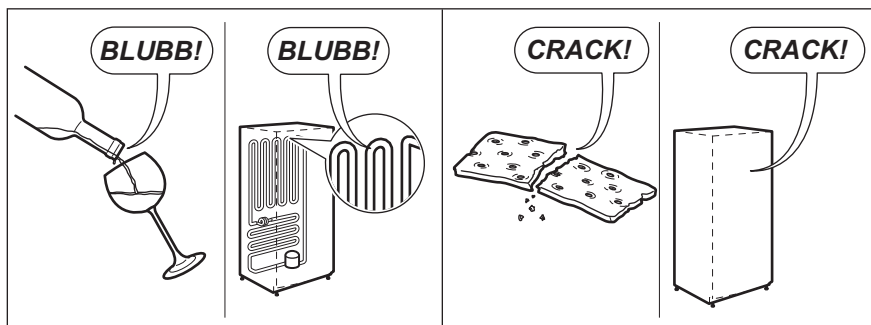
1. Nettoyez les joints de la porte.

2. Si nécessaire, ajustez la porte. Reportez-vous aux instructions de montage.
3. Si nécessaire, remplacez les joints de porte défectueux. Contactez le service après-vente agréé.

9. BRUITS

L'appareil émet certains bruits pendant son fonctionnement (compresseur, circuit frigorifique).





10. CARACTÉRISTIQUES TECHNIQUES

10.1 Fiche produit

Marque	AEG
Modèle	SCE81821FS 925500019
Catégorie	7. Réfrigérateur-congélateur
Classe d'efficacité énergétique	A++
Consommation d'énergie annuelle en kWh, calculée sur la base du résultat obtenu pour 24 heures dans des conditions d'essai normalisées. La consommation d'énergie réelle dépend des conditions d'utilisation et de l'emplacement de l'appareil.	227
Volume de stockage en litres, Réfrigérateur	192
Volume de stockage en litres, Étoile	-
Volume de stockage en litres, Zone cellier	-
Volume de stockage en litres, Vin	-
Volume de stockage en litres, Total	264
Volume de stockage en litres, Congélateur	72
Volume de stockage en litres, Refroidisseur	-
Volume de stockage en litres, Autres compartiments	-
Nombre d'étoiles du compartiment congélateur ayant le volume de stockage le plus élevé (l)	****
Température de conception des autres compartiments > 14 °C (°C), s'il y a lieu	-
Sans givre (O/N), Réfrigérateur	Non
Sans givre (O/N), Congélateur	Non

Coupure de courant en toute sécurité en h	22
Pouvoir de congélation en kg/24 h	12
Classe climatique	SN-N-ST-T
La température ambiante la plus basse à laquelle l'appareil est conçu pour être utilisé, en °C	10
La température ambiante la plus élevée à laquelle l'appareil est conçu pour être utilisé, en °C	43
Émissions acoustiques dans l'air dB(A) re 1 pW	35
Appareil intégrable O/N	Oui
Cet appareil est destiné uniquement au stockage du vin O/N	Non

10.2 Autres caractéristiques techniques


Dimensions de la niche d'encastrement	
Hauteur	1780 mm
Largeur	560 mm

Profondeur	550 mm
Tension	230 - 240 V
Fréquence	50 Hz

Les caractéristiques techniques figurent sur la plaque signalétique située sur le côté intérieur ou extérieur de l'appareil et sur l'étiquette énergétique.

11. EN MATIÈRE DE PROTECTION DE L'ENVIRONNEMENT

Recyclez les matériaux portant le symbole . Déposez les emballages dans les conteneurs prévus à cet effet. Contribuez à la protection de l'environnement et à votre sécurité, recyclez vos produits électriques et

électroniques. Ne jetez pas les appareils portant le symbole  avec les ordures ménagères. Emmenez un tel produit dans votre centre local de recyclage ou contactez vos services municipaux.

INHALTSVERZEICHNIS

1. SICHERHEITSHINWEISE.....	40
2. SICHERHEITSANWEISUNGEN.....	42
3. MONTAGE.....	44
4. BETRIEB.....	45
5. TÄGLICHER GEBRAUCH.....	49
6. TIPPS UND HINWEISE.....	51
7. REINIGUNG UND PFLEGE.....	52
8. FEHLERSUCHE.....	54
9. GERÄUSCHE.....	56
10. TECHNISCHE DATEN.....	58

FÜR PERFEKTE ERGEBNISSE

Danke, dass Sie sich für dieses AEG Produkt entschieden haben. Wir haben es geschaffen, damit Sie viele Jahre von seiner ausgezeichneten Leistung und den innovativen Technologien, die Ihnen das Leben erleichtern, profitieren können. Es ist mit Funktionen ausgestattet, die in gewöhnlichen Geräten nicht vorhanden sind. Nehmen Sie sich ein paar Minuten Zeit zum Lesen, um seine Vorzüge kennen zu lernen.

Besuchen Sie uns auf unserer Website, um:



Sich Anwendungshinweise, Prospekte, Fehlerbehebungs- und Service-Informationen zu holen:

www.aeg.com/webselfservice



Ihr Produkt für einen besseren Service zu registrieren:

www.registreaeg.com



Zubehör, Verbrauchsmaterial und Original-Ersatzteile für Ihr Gerät zu kaufen:

www.aeg.com/shop

REPARATUR- UND KUNDENDIENST

Bitte verwenden Sie ausschließlich Original-Ersatzteile für Ihre Produkte. Halten Sie folgende Angaben bereit, wenn Sie sich an den Kundendienst wenden: Modell, Produktnummer (PNC), Seriennummer. Diese Informationen finden Sie auf dem Typenschild.

 Warnungs-/Sicherheitshinweise

 Allgemeine Informationen und Empfehlungen

 Informationen zum Umweltschutz

Änderungen vorbehalten.

1. SICHERHEITSHINWEISE

Lesen Sie vor der Montage und dem Gebrauch des Geräts zuerst die Gebrauchsanleitung. Bei Verletzungen oder Schäden infolge nicht ordnungsgemäßer Montage

oder Verwendung des Geräts übernimmt der Hersteller keine Haftung. Bewahren Sie die Anleitung immer an einem sicheren und zugänglichen Ort zum späteren Nachschlagen auf.

1.1 Sicherheit von Kindern und schutzbedürftigen Personen

- Das Gerät kann von Kindern ab 8 Jahren und Personen mit eingeschränkten physischen, sensorischen oder geistigen Fähigkeiten oder mit mangelnder Erfahrung und/oder mangelndem Wissen nur dann verwendet werden, wenn sie durch eine für ihre Sicherheit zuständige Person beaufsichtigt werden oder in die sichere Verwendung des Geräts eingewiesen wurden und die mit dem Gerät verbundenen Gefahren verstanden haben.
- Das Gerät kann von Kindern zwischen 3 und 8 Jahren und Personen mit schweren Behinderungen oder Mehrfachbehinderung benutzt werden, wenn Sie in die sichere Verwendung eingewiesen wurden.
- Halten Sie Kinder unter 3 Jahren vom Gerät fern, wenn sie nicht ständig beaufsichtigt werden.
- Kinder dürfen nicht mit dem Gerät spielen.
- Kinder dürfen keine Reinigung und Wartung ohne Beaufsichtigung durchführen.
- Halten Sie sämtliches Verpackungsmaterial von Kindern fern und entsorgen Sie es auf angemessene Weise.

1.2 Allgemeine Sicherheit

- Dieses Gerät ist für die Verwendung im Haushalt und ähnliche Zwecke vorgesehen, wie z. B.:
 - Bauernhöfe, Personalküchenbereiche in Geschäften, Büros und anderen Arbeitsumfeldern
 - Für Gäste in Hotels, Motels, Pensionen und anderen wohnungsähnlichen Räumlichkeiten

- **WARNUNG:** Achten Sie darauf, dass die Belüftungsöffnungen im Schrank, um das Gerät und in der Einbaunische nicht blockiert sind.
- **WARNUNG:** Versuchen Sie nicht, den Abtauvorgang durch andere als vom Hersteller empfohlene mechanische oder sonstige Hilfsmittel zu beschleunigen.
- **WARNUNG:** Beschädigen Sie nicht den Kältekreislauf.
- **WARNUNG:** Betreiben Sie in den Lebensmittelfächern des Geräts keine anderen als die vom Hersteller empfohlenen Elektrogeräte.
- Reinigen Sie das Gerät nicht mit Wasserspray oder Dampf.
- Reinigen Sie das Gerät mit einem weichen, feuchten Tuch. Verwenden Sie ausschließlich Neutralreiniger. Benutzen Sie keine Scheuermittel, scheuernde Reinigungsschwämmchen, Lösungsmittel oder Metallgegenstände.
- Bewahren Sie in dem Gerät keine explosiven Substanzen, wie Spraydosen mit entzündlichen Treibgasen auf.
- Wenn das Netzkabel beschädigt ist, muss es vom Hersteller, seinem autorisierten Kundenservice oder einer gleichermaßen qualifizierten Person ausgetauscht werden, um Gefahrenquellen zu vermeiden.

2. SICHERHEITSANWEISUNGEN

2.1 Montage



WARNUNG!

Die Montage des Geräts darf nur von einer qualifizierten Fachkraft durchgeführt werden.

- Entfernen Sie das gesamte Verpackungsmaterial.
- Montieren Sie ein beschädigtes Gerät nicht und benutzen Sie es nicht.
- Verwenden Sie das Gerät aus Sicherheitsgründen nicht, bevor es in den Einbauschrank gesetzt wird.
- Halten Sie sich an die mitgelieferte Montageanleitung.
- Seien Sie beim Umsetzen des Gerätes vorsichtig, da es sehr schwer ist. Tragen Sie stets Sicherheitshandschuhe und festes Schuhwerk.
- Stellen Sie sicher, dass die Luft um das Gerät zirkulieren kann.
- Warten Sie nach der Montage oder dem Wechsel des Türanschlags

mindestens 4 Stunden, bevor Sie das Gerät an die Stromversorgung anschließen. Dies ist erforderlich, damit das Öl in den Kompressor zurückfließen kann.

- Ziehen Sie den Stecker aus der Steckdose, bevor Sie am Gerät arbeiten (z.B. Wechsel des Türanschlags).
- Stellen Sie das Gerät nicht in der Nähe von Heizkörpern, Herden, Backöfen oder Kochfeldern auf.
- Setzen Sie das Gerät nicht dem Regen aus.
- Stellen Sie das Gerät nicht dort auf, wo es direktem Sonnenlicht ausgesetzt sein könnte.
- Stellen Sie dieses Gerät nicht in Bereichen auf, die zu feucht oder kalt sind.
- Wenn Sie das Gerät verschieben möchten, heben Sie es bitte an der Vorderkante an, um den Fußboden nicht zu verkratzen.
- Das Gerät enthält einen Beutel mit Trockenmittel. Dieser Beutel ist kein Spielzeug. Dieser Beutel ist kein Lebensmittel. Bitte entsorgen Sie ihn umgehend.

2.2 Elektrischer Anschluss



WARNUNG!

Brand- und Stromschlaggefahr.



WARNUNG!

Achten Sie bei der Montage des Geräts darauf, dass das Netzkabel nicht eingeklemmt oder beschädigt wird.



WARNUNG!

Verwenden Sie keine Mehrfachsteckdosen oder Verlängerungskabel.

- Das Gerät muss geerdet sein.
- Stellen Sie sicher, dass die Daten auf dem Typenschild mit den elektrischen Nennwerten der Netzspannung übereinstimmen.
- Schließen Sie das Gerät nur an eine ordnungsgemäß installierte Schutzkontaktsteckdose an.

- Achten Sie darauf, elektrische Bauteile (wie Netzstecker, Netzkabel und Kompressor) nicht zu beschädigen. Wenden Sie sich an den autorisierten Kundendienst oder einen Elektriker, um die elektrischen Bauteile auszutauschen.
- Das Netzkabel muss unterhalb des Netzsteckers verlegt werden.
- Stecken Sie den Netzstecker erst nach Abschluss der Montage in die Steckdose. Stellen Sie sicher, dass der Netzstecker nach der Montage noch zugänglich ist.
- Ziehen Sie nicht am Netzkabel, wenn Sie das Gerät von der Stromversorgung trennen möchten. Ziehen Sie stets am Netzstecker.

2.3 Gebrauch



WARNUNG!

Es besteht Verletzungs-, Verbrennungs-, Stromschlag- oder Brandgefahr.



Das Gerät enthält Isobutan (R600a), ein brennbares Erdgas mit einem hohen Grad an Umweltverträglichkeit. Achten Sie darauf, den Kältekreislauf, der Isobutan enthält, nicht zu beschädigen.

- Nehmen Sie keine technischen Änderungen am Gerät vor.
- Stellen Sie keine elektrischen Geräte (z. B. Eisbereiter) in das Gerät, wenn solche Geräte nicht ausdrücklich vom Hersteller für diesen Zweck zugelassen sind.
- Wird der Kältekreislauf beschädigt, stellen Sie bitte sicher, dass es keine Flammen und Zündquellen im Raum gibt. Belüften Sie den Raum.
- Stellen Sie keine heißen Gegenstände auf die Kunststoffteile des Geräts.
- Legen Sie Erfrischungsgetränke nicht in das Gefrierfach. Dadurch entsteht Druck auf den Getränkebehälter.
- Bewahren Sie keine entzündbaren Gase und Flüssigkeiten im Gerät auf.
- Laden Sie keine entflammaren Produkte oder Gegenstände, die mit entflammaren Produkten benetzt

sind, in das Gerät und stellen Sie solche nicht in die Nähe oder auf das Gerät.

- Berühren Sie nicht den Kompressor oder den Kondensator. Sie sind heiß.
- Nehmen Sie keine Gegenstände aus dem Gefrierfach bzw. berühren Sie diese nicht, falls Ihre Hände nass oder feucht sind.
- Frieren Sie aufgetaute Lebensmittel nicht wieder ein.
- Befolgen Sie die Hinweise auf der Verpackung zur Aufbewahrung tiefgekühlter Lebensmittel.
- Wickeln Sie die Lebensmittel in Lebensmittelkontaktmaterial ein, bevor Sie sie in das Gefrierfach legen.

2.4 Innenbeleuchtung



WARNING!
Stromschlaggefahr.

- Die in diesem Gerät verwendete Lampe ist nur für Haushaltsgeräte geeignet. Benutzen Sie diese nicht für die Raumbelichtung.

2.5 Reinigung und Pflege



WARNING!
Verletzungsgefahr sowie Risiko von Schäden am Gerät.

- Schalten Sie das Gerät immer aus und ziehen Sie den Netzstecker aus der Steckdose, bevor Reinigungsarbeiten durchgeführt werden.
- Der Kältekreis des Gerätes enthält Kohlenwasserstoffe. Das Gerät muss

von einer qualifizierten Fachkraft gewartet und nachgefüllt werden.

- Prüfen Sie regelmäßig den Wasserabfluss des Geräts und reinigen Sie ihn gegebenenfalls. Bei verstopftem Wasserabfluss sammelt sich das Abtauwasser am Boden des Geräts an.

2.6 Service

- Wenden Sie sich zur Reparatur des Geräts an den autorisierten Kundendienst.
- Verwenden Sie ausschließlich Originalersatzteile.

2.7 Entsorgung



WARNING!
Verletzungs- und Erstickungsgefahr.

- Trennen Sie das Gerät von der Stromversorgung.
- Schneiden Sie das Netzkabel ab, und entsorgen Sie es.
- Entfernen Sie die Tür, um zu verhindern, dass sich Kinder oder Haustiere in dem Gerät einschließen.
- Der Kältekreislauf und die Isolierungsmaterialien dieses Gerätes sind ozonfreundlich.
- Die Isolierung enthält entzündliches Gas. Für Informationen zur korrekten Entsorgung des Gerätes wenden Sie sich an Ihre kommunale Behörde.
- Achten Sie darauf, dass die Kühleinheit in der Nähe des Wärmetauschers nicht beschädigt wird.

3. MONTAGE



WARNING!
Siehe Kapitel Sicherheitshinweise.

3.1 Standort



Beachten Sie bei der Installation die Montageanleitung.

Damit das Gerät die optimale Leistung bringen kann, sollte es weit entfernt von Wärmequellen wie Heizungskörpern, Boilern, direktem Sonnenlicht usw. aufgestellt werden. Die Luft muss frei an der Rückseite des Gerätes zirkulieren können.

3.2 Aufstellung

Installieren Sie dieses Gerät in einem trockenen, gut belüfteten Raum, an dem

die Umgebungstemperatur mit der Klimaklasse übereinstimmt, die auf dem Typenschild des Geräts angegeben ist.

Klima-klasse	Umgebungstemperatur
SN	+10 °C bis +32 °C
N	+16 °C bis +32 °C
ST	+16 °C bis + 38 °C
T	+16 °C bis +43 °C

i Bei einigen Modellen können Funktionsstörungen auftreten, wenn sie außerhalb dieses Temperaturbereichs betrieben werden. Der ordnungsgemäße Betrieb wird nur innerhalb des angegebenen Temperaturbereichs gewährleistet. Bei Fragen zum Aufstellungsort des Geräts wenden Sie sich an den Verkäufer, unseren Kundendienst oder nächstgelegenen autorisierten Service-Partner.

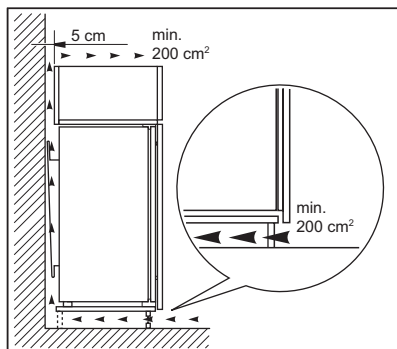
3.3 Elektroanschluss

- Kontrollieren Sie vor der ersten Benutzung des Geräts, ob die Netzspannung und -frequenz Ihres Hausanschlusses mit den auf dem Typenschild angegebenen Anschlusswerten übereinstimmen.

- Das Gerät muss geerdet sein. Zu diesem Zweck ist der Netzstecker mit einem Schutzkontakt ausgestattet. Falls die Steckdose Ihres Hausanschlusses nicht geerdet sein sollte, lassen Sie das Gerät gemäß den geltenden Vorschriften von einem qualifizierten Elektriker erden.
- Der Hersteller übernimmt keinerlei Haftung bei Missachtung der vorstehenden Sicherheitshinweise.
- Das Gerät entspricht den EC-Richtlinien.

3.4 Anforderungen an die Belüftung

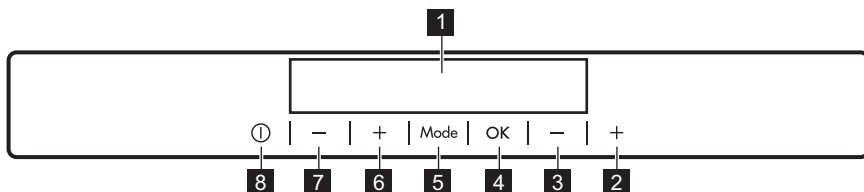
Hinter dem Gerät muss genug Platz für eine ausreichende Luftzirkulation sein.



VORSICHT!
Beachten Sie bei der Installation die Montageanleitung.

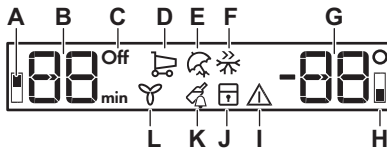
4. BETRIEB

4.1 Bedienfeld



- 1 Display
- 2 Taste zum Erhöhen der Gefrierraumtemperatur
- 3 Taste zum Senken der Gefrierraumtemperatur
- 4 OK
- 5 Mode
- 6 Taste zum Erhöhen der Kühlraumtemperatur

4.2 Display



- 7 Taste zum Senken der Kühlraumtemperatur
- 8 ON/OFF

Der voreingestellte Tastenton lässt sich ändern. Halten Sie dazu Mode und die Taste zum Senken der Temperatur einige Sekunden gedrückt. Die Änderung lässt sich rückgängig machen.

- A. Kühlraumanzeige
- B. Timer-Anzeige /Temperaturanzeige
- C. Anzeige ON/OFF
- D. Funktion Coolmatic
- E. Holiday-Modus
- F. Funktion Frostmatic
- G. Temperaturanzeige
- H. Gefrierraumanzeige
- I. Alarmanzeige
- J. Funktion ChildLock
- K. Funktion DrinksChill
- L. Funktion DYNAMICAIR

4.3 Einschalten des Geräts

1. Stecken Sie den Netzstecker in die Netzsteckdose.
2. Drücken Sie ON/OFF, wenn das Display ausgeschaltet ist. Die Temperaturanzeigen zeigen die jeweils eingestellte Standardtemperatur an.

i Nach ein paar Sekunden ertönt möglicherweise ein akustisches Alarmsignal. Wie Sie den Alarm ausschalten, erfahren Sie unter „Hochtemperaturwarnung“.

Informationen zur Auswahl einer anderen Temperatur finden Sie unter „Temperaturregelung“.

Wenn im Display "dEMo" angezeigt wird, siehe Abschnitt „Fehlersuche“.

4.4 Ausschalten des Geräts

1. Halten Sie ON/OFF 5 Sekunden gedrückt. Das Display wird ausgeschaltet.
2. Ziehen Sie den Netzstecker aus der Netzsteckdose.

4.5 Temperaturregelung

Stellen Sie die Temperatur durch Drücken der Temperaturregler ein. Standardtemperatur:

- +5 °C für den Kühlschrank
- -18 °C für das Gefriergerät

Die Temperaturanzeigen zeigen die eingestellten Temperaturen an.

i Die eingestellte Temperatur wird innerhalb von 24 Stunden erreicht. Nach einem Stromausfall bleibt die eingestellte Temperatur gespeichert.

4.6 Einschalten des Kühlschranks

Zum Einschalten des Kühlschranks drücken Sie einfach auf den Kühlschrank-Temperaturregler. Alternativ können Sie folgendermaßen vorgehen:

1. Drücken Sie Mode, bis das entsprechende Symbol angezeigt wird.

Die Kühlraumanzeige OFF blinkt.

2. Mit OK bestätigen.

Die Kühlraumanzeige OFF erlischt.



Informationen zur Auswahl einer anderen Temperatur finden Sie unter „Temperaturregelung“.

4.7 Ausschalten des Kühlschranks

1. Drücken Sie Mode, bis das entsprechende Symbol angezeigt wird.

Die Anzeige OFF und die Kühlraumanzeige blinken.

Die Kühlraum-Temperaturanzeige zeigt Striche an.

2. Mit OK bestätigen.

Die Kühlraumanzeige OFF erscheint.

4.8 Coolmatic Funktion

Wenn Sie zum Beispiel nach einem Einkauf größere Mengen warmer Lebensmittel einlegen möchten, empfehlen wir die Funktion Coolmatic einzuschalten, um die Produkte schneller zu kühlen und zu vermeiden, dass die bereits im Kühlschrank befindlichen Lebensmittel erwärmt werden.

1. Drücken Sie Mode, bis das entsprechende Symbol angezeigt wird.

Die Anzeige Coolmatic blinkt.

2. Mit OK bestätigen.

Die Anzeige Coolmatic erscheint.

Die Funktion Coolmatic wird nach etwa 6 Stunden automatisch abgeschaltet.

Zum Ausschalten der Funktion vor ihrer automatischen Abschaltung, wiederholen Sie die obigen Schritte.



Die Funktion wird durch die Auswahl einer anderen Temperatur für den Kühlraum ausgeschaltet.

4.9 Holiday-Modus

In diesem Modus können Sie das Gerät über längere Zeit mit geschlossener Tür leer stehen lassen, ohne dass sich ein unangenehmer Geruch entwickelt.

1. Drücken Sie Mode, bis das entsprechende Symbol angezeigt wird.

Die Anzeige Holiday blinkt. Die Temperaturanzeige zeigt die eingestellte Temperatur an.

2. Mit OK bestätigen.

Die Anzeige Holiday erscheint.



Dieser Modus wird ausgeschaltet, wenn Sie eine andere Temperatur wählen.

4.10 Frostmatic Funktion

Die Frostmatic Funktion ist eine Schnellgefrierfunktion, die die Tiefkühlung neu hinzukommender Lebensmittel beschleunigt und gleichzeitig die bereits tiefgekühlten Lebensmittel vor unerwünschter Erwärmung schützt.

1. Drücken Sie zum Einschalten dieser Funktion die Mode Taste , bis das entsprechende Symbol leuchtet.

Die Anzeige Frostmatic blinkt.

2. Mit OK bestätigen.

Die Anzeige Frostmatic erscheint.

Diese Funktion endet automatisch nach 52 Stunden.

Zum Ausschalten der Funktion vor ihrer automatischen Abschaltung, wiederholen Sie den Vorgang, bis die Anzeige Frostmatic erlischt.



Die Funktion wird durch die Auswahl einer anderen Temperatur ausgeschaltet.

4.11 Funktion ChildLock

Schalten Sie die Funktion ChildLock ein, um die Tasten gegen eine

unbeabsichtigte Betätigung zu verriegeln.

1. Drücken Sie Mode, bis das entsprechende Symbol angezeigt wird.

Die Anzeige ChildLock blinkt.

2. Mit OK bestätigen.
Die ChildLock-Anzeige erscheint.
Um die Funktion ChildLock auszuschalten, wiederholen Sie den Vorgang, bis die Anzeige ChildLock erlischt.

4.12 Funktion DrinksChill

Mit der Funktion DrinksChill wird ein akustischer Alarm auf eine gewünschte Zeit eingestellt. Dies ist zum Beispiel nützlich, wenn ein Rezept erfordert, dass eine Speise für eine bestimmte Zeit abkühlen muss.

Sie ist ebenfalls nützlich, wenn Sie die Flaschen, die Sie für eine schnellere Kühlung in den Gefrierraum gelegt haben, nicht vergessen möchten.

1. Drücken Sie Mode, bis das entsprechende Symbol angezeigt wird.


Die Anzeige DrinksChill blinkt.

Der Timer zeigt den eingestellten Wert (30 Minuten) einige Sekunden lang an.

2. Drücken Sie den Timerregler, um den eingestellten Wert des Timers auf 1 bis 90 Minuten zu ändern.
3. Mit OK bestätigen.

Die Anzeige DrinksChill erscheint. Der Timer beginnt zu blinken (min). Nach Ablauf des Countdowns blinkt die Anzeige DrinksChill und es ertönt ein Alarmsignal. Schalten Sie den Alarmton und die Funktion mit OK aus.


Wiederholen Sie zum Ausschalten der Funktion die obigen Schritte, bis DrinksChill erlischt.

-  Die Zeit kann während des Countdowns und am Ende geändert werden, indem Sie die Tasten zur Erhöhung und Verringerung der Temperatur drücken.

4.13 Hochtemperaturwarnung

Ein Anstieg der Temperatur im Gefrierraum (zum Beispiel aufgrund eines vorherigen Stromausfalls) wird durch das Blinken des Alarmsymbols und der Temperaturanzeige sowie ein akustisches Signal angezeigt.

Drücken Sie eine beliebige Taste. Der Summer wird abgeschaltet. Die Temperaturanzeige des Gefriergeräts zeigt die höchste erreichte Temperatur ein paar Sekunden lang an, danach zeigt sie wieder die eingestellte Temperatur an.

-  Die Alarmanzeige blinkt so lange, bis die normalen Bedingungen wiederhergestellt sind.

4.14 Alarm Tür offen

Bleibt die Tür etwa 90 Sekunden geöffnet, ertönt der Signalton und die Alarmanzeige blinkt.


Der Signalton erlischt, wenn die Tür geschlossen wird. In der Alarmphase kann der Signalton durch Drücken einer beliebigen Taste ausgeschaltet werden.

4.15 Funktion DYNAMICAIR

Einschalten der Funktion:

1. Drücken Sie die Taste Mode, bis das entsprechende Symbol angezeigt wird.
Die Anzeige DYNAMICAIR blinkt.
2. Mit OK bestätigen.
Die DYNAMICAIR-Anzeige erscheint.

Wiederholen Sie zum Ausschalten der Funktion die obigen Schritte, bis das Symbol DYNAMICAIR erlischt.

-  Wird die Funktion automatisch eingeschaltet, leuchtet die Anzeige DYNAMICAIR nicht (siehe „Täglicher Gebrauch“). Durch Einschalten der Funktion DYNAMICAIR erhöht sich der Energieverbrauch.

5. TÄGLICHER GEBRAUCH



WARNUNG!
Siehe Kapitel
Sicherheitshinweise.

5.1 Reinigen des Innenraums

Bevor Sie das Gerät in Betrieb nehmen, beseitigen Sie den typischen Neugeruch am besten durch Reinigen der Innenteile mit lauwarmem Wasser und einer neutralen Seife. Sorgfältig nachtrocknen.

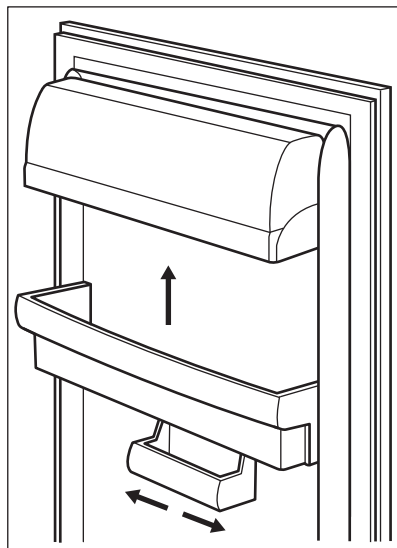


VORSICHT!
Verwenden Sie keine chemischen Reinigungsmittel, Scheuermittel, chlor- oder ölhaltige Reinigungsmittel, da diese die Oberfläche beschädigen.

5.2 Positionieren der Türablagen

Die Türablagen können in verschiedener Höhe positioniert werden; damit ermöglichen sie das Lagern verschieden großer Lebensmittelpackungen.

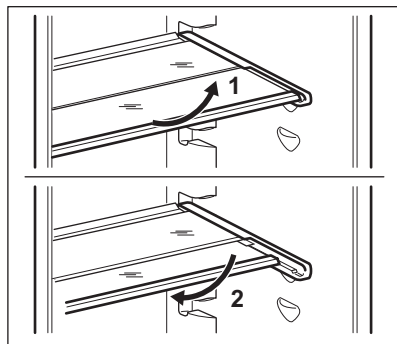
1. Ziehen Sie die Ablage langsam nach oben, bis sie sich löst.
2. Setzen Sie die Ablage in gewünschter Höhe ein.



Dieses Modell ist mit einem variablen Lagerfach ausgerüstet, das sich seitlich verschieben lässt.

5.3 Verstellbare Ablagen

Die Wände des Kühlschranks sind mit einer Reihe von Führungsschienen ausgestattet, die verschiedene Möglichkeiten für das Einsetzen der Ablagen bieten.

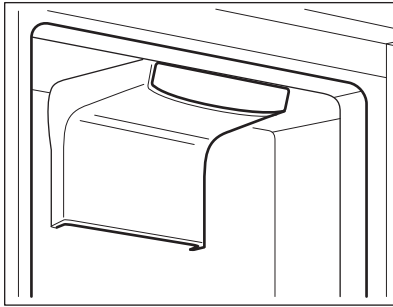


- i** Die Glasablage über der Gemüseschublade sollte jedoch nicht verstellt werden, um eine korrekte Luftzirkulation zu gewährleisten.

5.4 DYNAMICAIR

Der Kühlschrank ist mit einer Funktion ausgestattet, die für eine rasche Kühlung der Lebensmittel und eine gleichmäßigere Temperatur im Innenraum sorgt.

Bei Bedarf schaltet sich diese Funktion automatisch ein, z. B. zur raschen Wiederherstellung der Temperatur, nachdem die Tür geöffnet wurde, oder wenn die Umgebungstemperatur hoch ist.



- i** Sie können die Funktion bei Bedarf manuell einschalten (siehe „Funktion DYNAMICAIR“).
- i** Die Funktion DYNAMICAIR schaltet sich ab, wenn die Tür geöffnet wird und schaltet sich wieder ein, sobald die Tür geschlossen wird.

5.5 Gefrieren und Lagern gefrorener Lebensmittel

Der Gefrierraum eignet sich zum Einfrieren von frischen Lebensmitteln und zum längerfristigen Lagern von bereits gefrorenen und tiefgefrorenen Lebensmitteln.

Lassen Sie das Gerät vor der ersten Inbetriebnahme oder nach einer längeren Zeit der Nichtbenutzung mindestens zwei Stunden lang mit der Einstellung Frostmatic laufen, bevor Sie Lebensmittel in das Fach legen.

Um frische Lebensmittel einzufrieren, legen Sie sie das mittlere Fach.

Die maximale Menge an Lebensmitteln, die in 24 Stunden eingefroren werden kann, ist auf dem **Typenschild** angegeben, das sich im Innern des Geräts befindet.

Der Gefriervorgang dauert 24 Stunden: Legen Sie während dieses Zeitraums keine weiteren einzufrierenden Lebensmittel in den Gefrierraum.

- i** Kam es zum Beispiel durch einen Stromausfall, der länger dauerte als der in der Tabelle mit den technischen Daten angegebene Wert (siehe „Lagerzeit bei Störung“), zu einem ungewollten Abtauen, dann müssen die aufgetauten Lebensmittel sehr rasch verbraucht oder sofort gekocht und nach dem Abkühlen erneut eingefroren werden.

5.6 Auftauen

Tiefgefrorene oder gefrorene Lebensmittel können vor der Verwendung je nach der zur Verfügung stehenden Zeit im Kühlschrank oder bei Raumtemperatur aufgetaut werden.

Kleinere Gefriergutteile können sogar direkt aus dem Gefriergerät entnommen und anschließend sofort gekocht werden. In diesem Fall dauert der Garvorgang allerdings etwas länger.

5.7 Herstellen von Eiswürfeln

Dieses Gerät ist mit einer oder mehreren Schalen für die Herstellung von Eiswürfeln ausgestattet.



Verwenden Sie zum Entnehmen der Schalen aus dem Gefrierfach keine Gegenstände aus Metall.

1. Füllen Sie die Schalen mit Wasser
2. Stellen Sie die Eisschalen in das Gefrierfach.

6. TIPPS UND HINWEISE

6.1 Normale Betriebsgeräusche

Folgende Geräusche sind während des normalen Gerätebetriebs normal:

- Ein leichtes Gurgeln und Blubbern, wenn das Kältemittel durch die Leitungen gepumpt wird.
- Ein Surren und ein pulsierendes Geräusch vom Kompressor, wenn das Kältemittel durch die Leitungen gepumpt wird.
- Ein plötzliches Knackgeräusch aus dem Geräteinneren, verursacht durch thermische Ausdehnung (eine natürliche und nicht gefährliche physikalische Erscheinung).
- Leises Klicken des Temperaturreglers, wenn sich der Kompressor ein- oder ausschaltet.

6.2 Energiespartipps

- Öffnen Sie die Tür nicht zu häufig, und lassen Sie diese nicht länger offen als notwendig.

6.3 Hinweise für die Kühlung frischer Lebensmittel

- Legen Sie keine warmen Lebensmittel oder dampfende Flüssigkeiten in den Kühlschrank.
- Decken Sie die Lebensmittel ab oder verpacken Sie diese entsprechend, besonders wenn sie stark riechen.
- Legen Sie die Lebensmittel so hinein, dass die Luft frei um sie zirkulieren kann.

6.4 Hinweise für die Kühlung

Tipps:

- Fleisch (alle Sorten): Wickeln Sie Fleisch in geeignetes Material und legen Sie dieses auf die Glasablage über der Gemüseschublade. Lagern Sie Fleisch höchstens 1 - 2 Tage.

- Gekochte Lebensmittel, kalte Gerichte: Decken Sie die Speisen ab und ordnen Sie sie auf einer beliebigen Ablage ein.
- Obst und Gemüse: Gründlich reinigen und in der speziellen Schublade aufbewahren. Bananen, Kartoffeln, Zwiebeln und Knoblauch sollten im Kühlschrank nicht unverpackt aufbewahrt werden.
- Butter und Käse: Diese sollten stets in speziellen luftdichten Behältern verpackt sein oder in Aluminiumfolie bzw. in lebensmittelechte Tüten eingepackt werden, um so wenig Luft wie möglich in der Verpackung zu haben.
- Flaschen: Sie sollten mit Deckel in der Flaschenablage in der Tür oder im Flaschenhalter (falls vorhanden) aufbewahrt werden.

6.5 Hinweise zum Einfrieren

- Frieren Sie ausschließlich frische und gründlich gewaschene Lebensmittel von sehr guter Qualität ein.
- Teilen Sie die Lebensmittel in kleine Portionen, um das Einfrieren und Auftauen zu erleichtern.
- Verpacken Sie die Lebensmittel in Alu- oder Kunststoffolie. Vergewissern Sie sich, dass die Verpackung luftdicht ist.
- Um eine Erwärmung bereits eingefrorener Lebensmittel zu verhindern, legen Sie die frischen, nicht gefrorenen Lebensmittel nicht direkt neben sie.
- Weniger fetthaltige Lebensmittel lassen sich besser lagern als fetthaltigere. Salz verkürzt die Lagerzeit von Lebensmitteln.
- Essen Sie keine Eiswürfel, Wassereis oder Eis am Stiel, wenn sie direkt aus dem Gefriergerät genommen wurden. Gefahr von Erfrierungen.

- Es empfiehlt sich, das Einfrierdatum auf jeder einzelnen Packung zu notieren, um einen genauen Überblick über die Lagerzeit zu haben.

6.6 Hinweise zur Lagerung gefrorener Lebensmittel

- Prüfen Sie sorgfältig, ob die im Handel erworbenen gefrorenen Lebensmittel sachgerecht gelagert wurden.

- Achten Sie unbedingt darauf, die eingekauften gefrorenen Lebensmittel in der kürzest möglichen Zeit in Ihr Gefriergerät zu bringen.
- Auftaute Lebensmittel verderben sehr schnell und eignen sich nicht für ein erneutes Einfrieren.
- Das Haltbarkeitsdatum auf der Tiefkühlkostverpackung sollte nicht überschritten werden.

7. REINIGUNG UND PFLEGE



WARNUNG!

Siehe Kapitel Sicherheitshinweise.



VORSICHT!

Beschädigen Sie nicht das Kühlsystem.

7.1 Allgemeine Warnhinweise



VORSICHT!

Ziehen Sie vor jeder Wartungsmaßnahme immer den Netzstecker aus der Steckdose.



Dieses Gerät enthält Kohlenwasserstoffe in seinem Kältekreislauf. Aus diesem Grund dürfen die Wartung und das Nachfüllen ausschließlich durch autorisiertes Fachpersonal erfolgen.



Das Zubehör des Geräts und die Innenteile eignen sich nicht für die Reinigung im Geschirrspüler.

7.2 Regelmäßige Reinigung



VORSICHT!

Ziehen Sie nicht an Leitungen und/oder Kabeln im Innern des Geräts und achten Sie darauf, diese nicht zu verschieben oder zu beschädigen.

Das gesamte Gerät muss regelmäßig gereinigt werden:

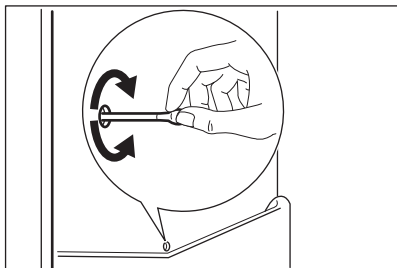
1. Reinigen Sie das Innere und die Zubehörteile mit lauwarmem Wasser und etwas Neutralseife.
2. Prüfen und säubern Sie die Türdichtungen in regelmäßigen Abständen, um zu gewährleisten, dass diese sauber und frei von Fremdkörpern sind.
3. Spülen und trocknen Sie diese sorgfältig ab.
4. Reinigen Sie den Kondensator und den Kompressor auf der Geräterückseite, falls diese zugänglich sind, mit einer Bürste. Dadurch verbessert sich die Leistung des Geräts und es verbraucht weniger Strom.

7.3 Abtauen des Kühlschranks

Bei normalem Betrieb wird Reif bei jedem Anhalten des Kompressors automatisch vom Verdampfer des Kühlschranks entfernt. Das Tauwasser sammelt sich in einer Auffangrinne und läuft durch eine Abflussöffnung in einen speziellen Behälter an der Rückseite des Geräts über dem Kompressor, wo es verdampft.

Reinigen Sie deshalb regelmäßig die Abflussöffnung in der Mitte der Auffangrinne an der Rückwand des

Kühlraums, damit das Tauwasser nicht überläuft und auf die eingelagerten Lebensmittel tropft.



7.4 Abtauen des Gefrierraums



VORSICHT!

Entfernen Sie Reif und Eis vom Verdampfer niemals mit scharfen metallischen Gegenständen, da dieser dadurch beschädigt werden könnte. Versuchen Sie nicht, den Abtauvorgang durch andere als vom Hersteller empfohlene mechanische oder sonstige Hilfsmittel zu beschleunigen. Ein Temperaturanstieg des Gefrierguts während des Abtauens des Geräts kann die Lagerzeit dieser Lebensmittel verkürzen.



Stellen Sie 12 Stunden vor dem Abtauen eine niedrigere Temperatur ein, damit eine ausreichende Kälte als Reserve für die Unterbrechung im Betrieb entstehen kann.

Auf den Ablagen des Gefriergeräts und im Innern des oberen Fachs bildet sich stets etwas Reif.

Tauen Sie das Gefriergerät ab, wenn die Reifschicht eine Stärke von etwa 3 bis 5 mm erreicht hat.

1. Schalten Sie das Gerät aus, oder ziehen Sie den Netzstecker aus der Steckdose.
2. Nehmen Sie das gesamte Gefriergut heraus, verpacken Sie es in mehrere

Schichten Zeitungspapier und lagern Sie es an einem kühlen Ort.



WARNUNG!

Fassen Sie gefrorene Lebensmittel nicht mit nassen Händen an. Ihre Hände könnten an den Lebensmitteln festfrieren.

3. Lassen Sie die Tür offen. Stellen Sie eine Schale mit warmem Wasser in das Gefrierfach, um den Abtauprozess zu beschleunigen. Entfernen Sie bereits während des Abtauprozesses vorsichtig Eisstücke, die sich lösen lassen.
4. Wenn der Gefrierraum vollständig abgetaut ist, wischen Sie das Innere sorgfältig trocken.
5. Schalten Sie das Gerät ein. Legen Sie die ausgelagerten Lebensmittel nach drei Stunden wieder in das Gefrierfach.

7.5 Stillstandszeiten

Bei längerem Stillstand des Geräts müssen Sie folgende Vorkehrungen treffen:

1. Trennen Sie das Gerät von der Spannungsversorgung.
2. Entnehmen Sie alle Lebensmittel
3. Tauen Sie das Gerät ab (falls erforderlich).
4. Reinigen Sie das Gerät und alle Zubehörteile.
5. Lassen Sie die Tür(en) offen, um das Entstehen unangenehmer Gerüche zu vermeiden.



VORSICHT!

Möchten Sie bei einer längeren Abwesenheit das Gerät weiter laufen lassen, bitten Sie jemanden, es gelegentlich zu prüfen, damit die Lebensmittel bei einem möglichen Stromausfall nicht im Innern des Gerätes verderben. Wir empfehlen Ihnen den Holiday-Modus einzuschalten.

8. FEHLERSUCHE



WARNUNG!

Siehe Kapitel
Sicherheitshinweise.

8.1 Was tun, wenn...

Störung	Mögliche Ursache	Abhilfe
Das Gerät funktioniert nicht.	Das Gerät ist ausgeschaltet.	Schalten Sie das Gerät ein.
	Der Netzstecker wurde nicht richtig in die Steckdose gesteckt.	Stecken Sie den Netzstecker korrekt in die Steckdose.
	Es liegt keine Spannung an der Steckdose an.	Testen Sie, ob ein anderes Gerät an dieser Steckdose funktioniert. Wenden Sie sich an eine Elektrofachkraft.
Es wird ein akustisches oder optisches Alarmsignal ausgelöst.	Das Gerät wurde erst kürzlich eingeschaltet oder die Temperatur ist zu hoch.	Siehe „Hochtemperaturwarnung“.
	Die Temperatur im Gerät ist zu hoch.	Wenden Sie sich an einen qualifizierten Elektriker oder die nächste autorisierte Kundendienststelle.
	Die Tür ist geöffnet.	Schließen Sie die Tür. Siehe „Alarm Tür offen“
In der Temperaturanzeige ist das Symbol  oder  anstatt der Zahlen zu sehen.	Problem mit dem Temperatursfühler.	Bitte wenden Sie sich an die nächste autorisierte Kundendienststelle (das Kühlsystem hält zwar die eingelagerten Lebensmittel weiterhin kühl, doch eine Temperatureinstellung ist nicht mehr möglich).
Die Lampe funktioniert nicht.	Die Lampe befindet sich im Standby-Modus.	Schließen und öffnen Sie die Tür.
	Die Lampe ist defekt.	Wenden Sie sich an die nächste autorisierte Kundendienststelle.
Der Kompressor ist durchgehend in Betrieb.	Die Temperatur ist nicht richtig eingestellt.	Siehe „Betrieb“.
	Es wurden zu viele Lebensmittel gleichzeitig eingelegt.	Warten Sie einige Stunden und prüfen Sie dann die Temperatur erneut.

Störung	Mögliche Ursache	Abhilfe
	Die Raumtemperatur ist zu hoch.	Siehe Klimaklasse auf dem Typenschild.
	In das Gerät eingelegte Lebensmittel waren noch zu warm.	Lassen Sie die Lebensmittel vor dem Einlagern auf Raumtemperatur abkühlen.
	Die Tür ist nicht richtig geschlossen.	Siehe „Schließen der Tür“.
	Die Funktion „Frostmatic“ oder „Coolmatic“ ist eingeschaltet.	Siehe Funktion „Frostmatic“ oder „Coolmatic“.
Zu starke Reif- und Eisbildung.	Die Tür ist nicht richtig geschlossen oder die Dichtung hat sich verformt/ist verschmutzt.	Siehe „Schließen der Tür“.
	Die Temperatur ist nicht richtig eingestellt.	Siehe „Betrieb“.
Der Kompressor schaltet sich nicht sofort ein, nachdem Sie „Frostmatic“ oder „Coolmatic“ gedrückt oder die Temperatur auf einen anderen Wert eingestellt haben.	Dies ist normal, keine Störung.	Der Kompressor schaltet sich erst nach einer Weile ein.
Wasser fließt in den Kühlschrankschrank.	Die eingelagerten Lebensmittel verhindern, dass das Wasser zum Wassersammler fließt.	Stellen Sie sicher, dass die Lebensmittel nicht die Rückwand berühren.
	Der Wasserablauf ist verstopft.	Reinigen Sie den Wasserablauf.
Wasser läuft auf den Boden.	Der Tauwasserablauf ist nicht mit der Verdampferschale über dem Kompressor verbunden.	Verbinden Sie den Tauwasserablauf mit der Verdampferschale.
Eine Temperatureinstellung ist nicht möglich.	Die Funktion „Frostmatic“ oder „Coolmatic“ ist eingeschaltet.	Schalten Sie die Funktion „Frostmatic“ oder „Coolmatic“ manuell aus, oder warten Sie mit dem Einstellen der Temperatur, bis die Funktion automatisch ausgeschaltet wird. Siehe Funktion „Frostmatic“ oder „Coolmatic“.

Störung	Mögliche Ursache	Abhilfe
Das Display zeigt dEMo an.	Das Gerät befindet sich im Demo-Betrieb.	Halten Sie OK etwa 10 Sekunden gedrückt, bis ein langer Signalton ertönt und das Display für kurze Zeit ausgeschaltet wird.
Die Temperatur im Gerät ist zu hoch/niedrig.	Der Temperaturregler ist nicht richtig eingestellt.	Stellen sie eine höhere/niedrigere Temperatur ein.
	Die Tür ist nicht richtig geschlossen.	Siehe „Schließen der Tür“.
	Die Temperatur der zu kühlenden Lebensmittel ist zu hoch.	Lassen Sie die Lebensmittel auf Raumtemperatur abkühlen, bevor Sie sie in das Gerät geben.
	Es wurden zu viele Lebensmittel gleichzeitig eingelegt.	Legen Sie weniger Lebensmittel gleichzeitig ein.
	Die Reifschicht ist dicker als 4 - 5 mm.	Tauen Sie das Gerät ab.
	Die Tür wurde zu häufig geöffnet.	Öffnen Sie die Tür nur, wenn es notwendig ist.
	Die Funktion „Frostmatic“ oder „Coolmatic“ ist eingeschaltet.	Siehe Funktion „Frostmatic“ oder „Coolmatic“.
	Die Kaltluft kann im Gerät nicht zirkulieren.	Kaltluftzirkulation im Gerät sicherstellen.



Bitte wenden Sie sich an den nächsten autorisierten Kundendienst, wenn alle genannten Abhilfemaßnahmen nicht zum gewünschten Erfolg führen.

8.2 Austauschen der Lampe

Das Gerät ist mit einer langlebigen LED-Innenbeleuchtung ausgestattet.

Die Beleuchtung darf nur von einer Fachkraft ausgetauscht werden. Wenden

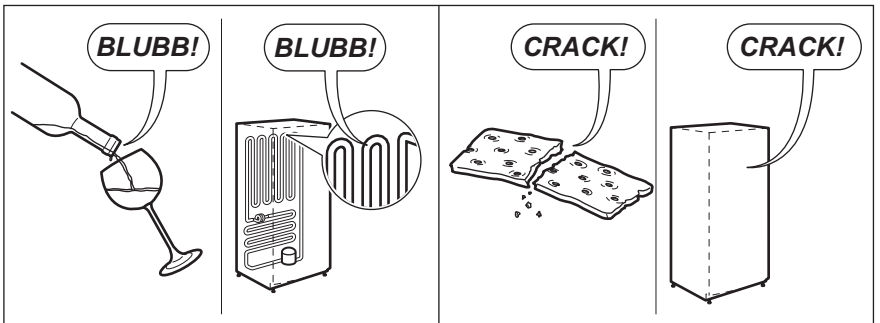
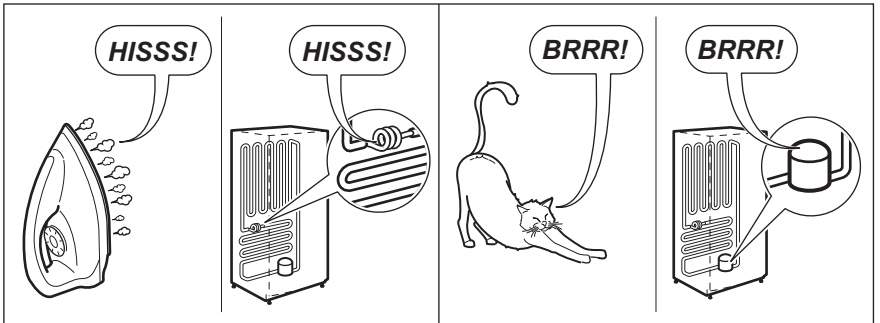
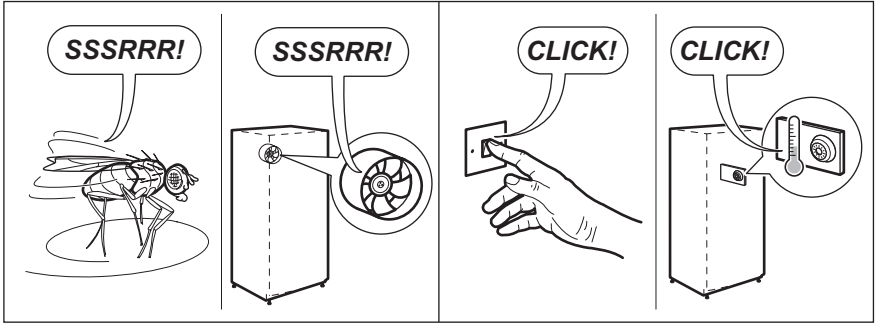
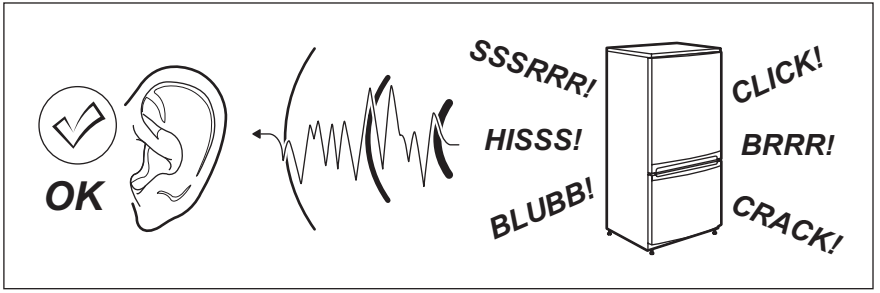
Sie sich an Ihren autorisierten Kundendienst.

8.3 Schließen der Tür

1. Reinigen Sie die Türdichtungen.
2. Stellen Sie die Tür nach Bedarf ein. Siehe die Montageanleitung.
3. Ersetzen Sie die defekten Türdichtungen, falls erforderlich. Wenden Sie sich an einen autorisierten Kundendienst.

9. GERÄUSCHE

Während das Gerät in Betrieb ist, entstehen bestimmte Geräusche (Kompressor und Kühlkreislauf).



10. TECHNISCHE DATEN

10.1 Produktdatenblatt

Warenzeichen	AEG
Modellkennung	SCE81821FS 925500019
Kategorie	7. Kühl-Gefrierschrank
Energieeffizienzklasse	A++
Energieverbrauch in kWh/Jahr, auf der Grundlage von Ergebnissen der Normprüfung über 24 Stunden. Der tatsächliche Verbrauch hängt von der Nutzung und vom Standort des Geräts ab	227
Nutzzinhalte in Liter, Kühlgerät	192
Nutzzinhalte in Liter, Star	-
Nutzzinhalte in Liter, Kellerzone	-
Nutzzinhalte in Liter, Wein	-
Nutzzinhalte in Liter, Total	264
Nutzzinhalte in Liter, Gefrierschrank,	72
Nutzzinhalte in Liter, Kühler	-
Nutzzinhalte in Liter, andere Lagerfächer	-
Sternebewertung des Gefrierfachs mit dem höchsten Lagerraum in Liter	****
Auslegungstemperatur der anderen Fächer > 14 °C (°C), falls vorhanden	-
Frostfrei (J/N), Kühlgerät	Nein
Frostfrei (J/N), Gefrierschrank	Nein
Stromausfallsicherung in Stunden Std.	22
Gefriervermögen in kg/24 Stunden	12
Klimaklasse	SN-N-ST-T
Niedrigste Temperatur, bei der das Gerät zur Verwendung bestimmt ist, in °C	10
Höchste Temperatur, bei der das Gerät zur Verwendung bestimmt ist, in °C	43
Luftschallemissionen in db(A) re1 pW	35
Einbaugerät (J/N)	Ja
Dieses Gerät ist ausschließlich zur Lagerung von Wein bestimmt (J/N)	Nein


10.2 Zusätzliche technische Daten


Abmessungen der Aussparung	
Höhe	1780 mm
Breite	560 mm

Tiefe	550 mm
Spannung	230 - 240 V
Frequenz	50 Hz

Die technischen Daten befinden sich auf dem Typenschild auf der Innen- oder Außenseite des Haushaltsgeräts sowie auf dem Energie label.

11. UMWELTTIPPS

Recyceln Sie Materialien mit dem Symbol . Entsorgen Sie die Verpackung in den entsprechenden Recyclingbehältern. Recyceln Sie zum Umwelt- und Gesundheitsschutz elektrische und elektronische Geräte. Entsorgen Sie

Geräte mit diesem Symbol  nicht mit dem Hausmüll. Bringen Sie das Gerät zu Ihrer örtlichen Sammelstelle oder wenden Sie sich an Ihr Gemeindeamt.

www.aeg.com/shop



222376549-A-132019



AEG