

DH-SD52C230U-HNI

2MP 30x Starlight PTZ Network Camera



- 1/2.8" 2Megapixel STARVIS™ CMOS
- Powerful 30x optical zoom
- Starlight technology
- H.265 Encoding
- Max. 50/60fps@1080P, 25/30/50/60fps@720P
- Auto-tracking and IVS
- Support PoE+
- IK10



System Overview

Featuring with powerful optical zoom and accurate pan/tilt/zoom performance, the SD52C series PTZ camera can provide large monitoring range and great detail. The camera delivers 1080P resolution at 50/60 fps, with 30x optical zoom, and has very excellent low light performance due to adopting the latest starlight technology. SD52C series PTZ is equipped with quick and smooth control, high quality image, which make it can meet most of the requirements of indoor video surveillance applications.

Functions

Starlight Technology

Thanks to our experience and expertise in hardware and software development, the camera is equipped with the latest image processing algorithm, high performance hardware and high quality optical components, which make the camera have very excellent low light performance. In most conditions, this camera can deliver clear, bright and low-noise color images.

Wide Dynamic Range

Embedded with industry leading wide dynamic range (WDR) technology, vivid pictures are achieved even in the most intense contrast lighting conditions. For applications with both bright and low lighting conditions that change quickly, true WDR (120dB) optimizes both the bright and dark areas of a scene at the same time to provide usable video.

Auto-tracking

The camera supports auto-tracking. The tracking action can be triggered manually or automatically by defined rules. Once rules are triggered, the camera can zoom in and track the defined target automatically.

High Efficiency Video Coding (H.265)

The H.265 (ITU-T VCEG) video compression standard offers double the data compression ratio at the same level of video quality, or substantially improved video quality at the same bit rate, as compared to older video compression technologies. H.265 offers such impressive compression by expanding the pattern comparison and difference-coding, improving motion vector prediction and motion region merging, and incorporating an additional filtering step called sample-adaptive offset filtering.

Environmental

With a temperature range of -30 °C to +60 °C (-22 °F to +140 °F), the camera is designed for extreme temperature environments. The camera complies to an IK10 impact rating making it capable of withstanding the equivalent of 55 kg (120 lbs) of force.

Interoperability

The camera conforms to the ONVIF (Open Network Video Interface Forum) and PSIA (Physical Security Interoperability Alliance) specifications, ensuring interoperability between network video products regardless of manufacturer.

Technical Specification

Camera

Image Sensor	1/2.8" STARVIS™ CMOS
Effective Pixels	1920(H) x 1080(V), 2 Megapixels
RAM/ROM	512M/128M
Scanning System	Progressive
Electronic Shutter Speed	1/1s~1/300,000s
Minimum Illumination	Color: 0.005Lux@F1.6; B/W: 0.0005Lux@F1.6
S/N Ratio	More than 55dB
IR Distance	N/A
IR On/Off Control	N/A
IR LEDs	N/A

Lens

Focal Length	4.5mm~135mm
Max. Aperture	F1.6 ~ F4.4
Angle of View	H: 67.8° ~ 2.4°
Optical Zoom	30x
Focus Control	Auto/Manual
Close Focus Distance	100mm~ 1000mm

DORI Distance

*Note: The DORI distance is a "general proximity" of distance which makes it easy to pinpoint the right camera for your needs. The DORI distance is calculated based on sensor specification and lab test result according to EN 62676-4 which defines the criteria for Detect, Observe, Recognize and Identify respectively.

Detect	Observe	Recognize	Identify
1862m(6109ft)	744m(2441ft)	372m(1220ft)	186m(610ft)

PTZ

Pan/Tilt Range	Pan: 0° ~ 360° endless; Tilt: 0° ~ 90°, auto flip 180°
Manual Control Speed	Pan: 0.1° ~ 350° /s; Tilt: 0.1° ~ 250° /s
Preset Speed	Pan: 500° /s; Tilt: 500° /s
Presets	300
PTZ Mode	5 Pattern, 8 Tour, Auto Pan ,Auto Scan
Speed Setup	Human-oriented focal Length/ speed adaptation
Power up Action	Auto restore to previous PTZ and lens status after power failure
Idle Motion	Activate Preset/ Scan/ Tour/ Pattern if there is no command in the specified period
Protocol	DH-SD

Intelligence

Auto Tracking	Support
IVS	Tripwire, Intrusion, Abandoned/Missing, Face Detection

Video

Compression	H.265/H.264 / MJPEG	
Streaming Capability	3 Streams	
Resolution	1080P(1920×1080)/1.3M(1280×960)/720P(1280×720)/D1(704×576/704×480)/CIF(352×288/352×240)	
Frame Rate	Main stream	1080P/720P(1 ~ 50/60fps), 1.3M(1 ~ 25/30fps)
	Sub stream1	D1/CIF(1 ~ 25/30fps)
	Sub stream2	1080P/1.3M/720P/D1/ CIF (1 ~ 25/30fps)
Bit Rate Control	CBR/VBR	
Bit Rate	H.265/H.264: 448K ~ 8192Kbps, MJPEG: 5120K ~ 10240Kbps	
Day/Night	Auto(ICR) / Color / B/W	
Backlight Compensation	BLC / HLC / WDR (120dB)	
White Balance	Auto,ATW,Indoor,Outdoor,Manual	
Gain Control	Auto / Manual	
Noise Reduction	Ultra DNR (2D/3D)	
Motion Detetion	Support	
Region of Interest	Support	
Electronic Image Stabilization (EIS)	Support	
Defog	Support	
Digital Zoom	16x	
Flip	180°	
Privacy Masking	Up to 24 areas	

Audio

Compression	G.711a/G.711Mu/AAC/G.722 / G.726/G.729/ MPEG2-L2
-------------	--

Network

Ethernet	RJ-45 (10/100Base-T)
Protocol	IPv4/IPv6,HTTP,HTTPS,SSL,TCP/IP, UDP,UPnP, ICMP,IGMP,SNMP,RTSP,RTP, SMTP, NTP,DHCP, DNS,PPPOE,DDNS,FTP, IP Filter,QoS,Bonjour,802.1x
Interoperability	ONVIF, PSIA, CGI
Streaming Method	Unicast / Multicast
Max. User Access	20 users
Edge Storage	NAS (Network Attached Storage),Local PC for instant recording, Micro SD card 128GB
Web Viewer	IE, Chrome, Firefox, Safari
Management Software	Smart PSS, DSS
Smart Phone	IOS, Android

Certifications

Certifications	CE: EN55032/EN55024/EN50130-4 FCC: Part15 subpartB,ANSI C63.4- 2014 UL: UL60950-1+CAN/CSA C22.2.No.60950-1
----------------	--

Interface

Video Interface	N/A
Audio Interface	1/1
RS485	N/A
Alarm	2/1

Electrical

Power Supply	AC24V/1.5A(±10%), PoE+(802.3at)
Power Consumption	13W

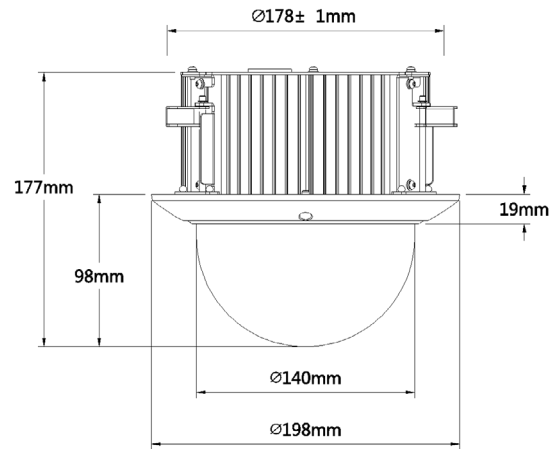
Environmental

Operating Conditions	-30°C ~ 60°C (-22°F ~ +140°F) / Less than 90% RH
Ingress Protection	N/A
Vandal Resistance	IK10

Construction

Casing	Metal
Dimensions	Φ198(mm) x 177(mm)
Net Weight	2.2kg(4.85lb)
Gross Weight	3.7kg(8.16lb)

Dimensions (mm)



Ordering Information

Type	Part Number	Description
2MP PTZ Camera	DH-SD52C230U-HNI	2MP 30x Starlight PTZ Network Camera, WDR, PAL
	DH-SD52C230UN-HNI	2MP 30x Starlight PTZ Network Camera, WDR, NTSC
	SD52C230U-HNI	2MP 30x Starlight PTZ Network Camera, WDR, PAL
	SD52C230UN-HNI	2MP 30x Starlight PTZ Network Camera, WDR, NTSC
Accessories	AC24V/1.5A	Power Supply

Accessories

Included:



AC24V/1.5A Power Supply