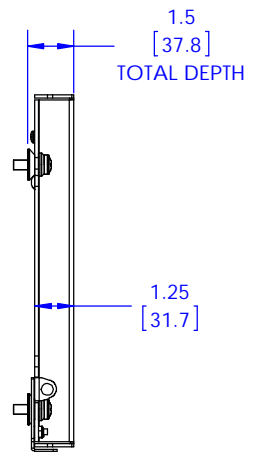
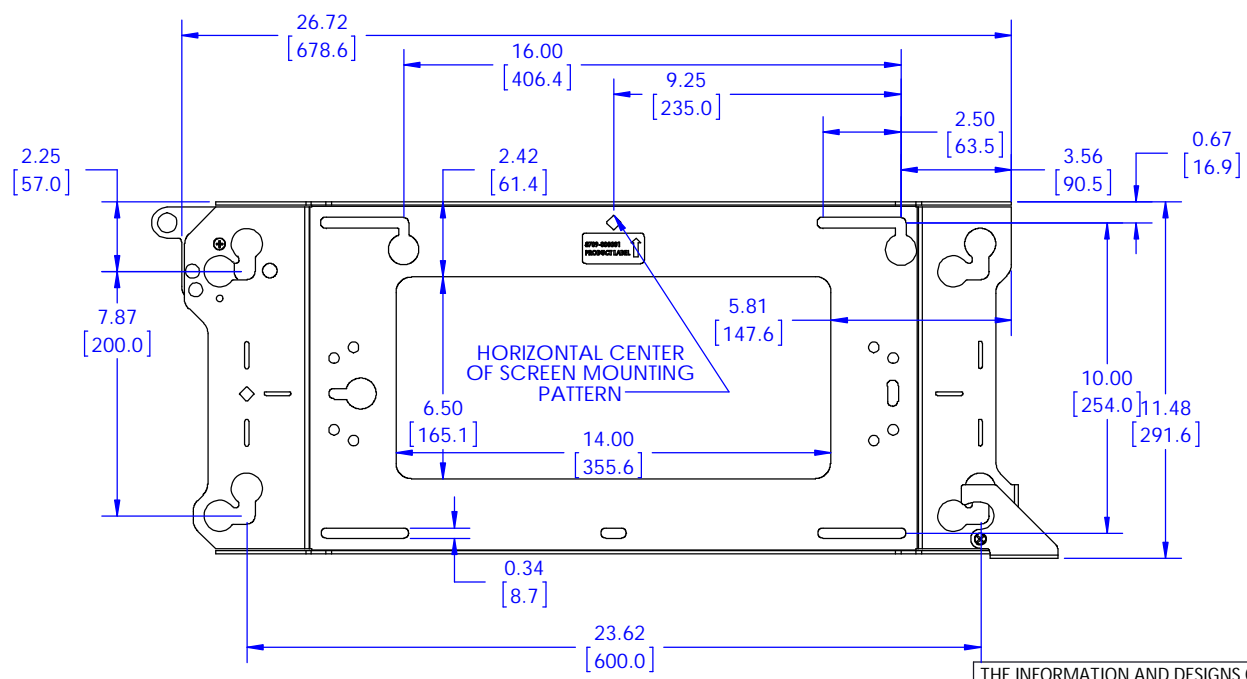
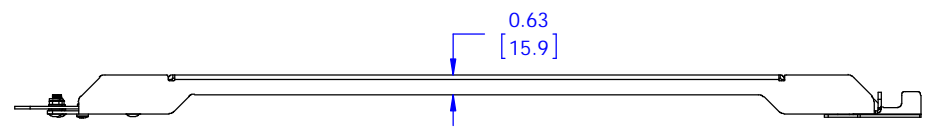
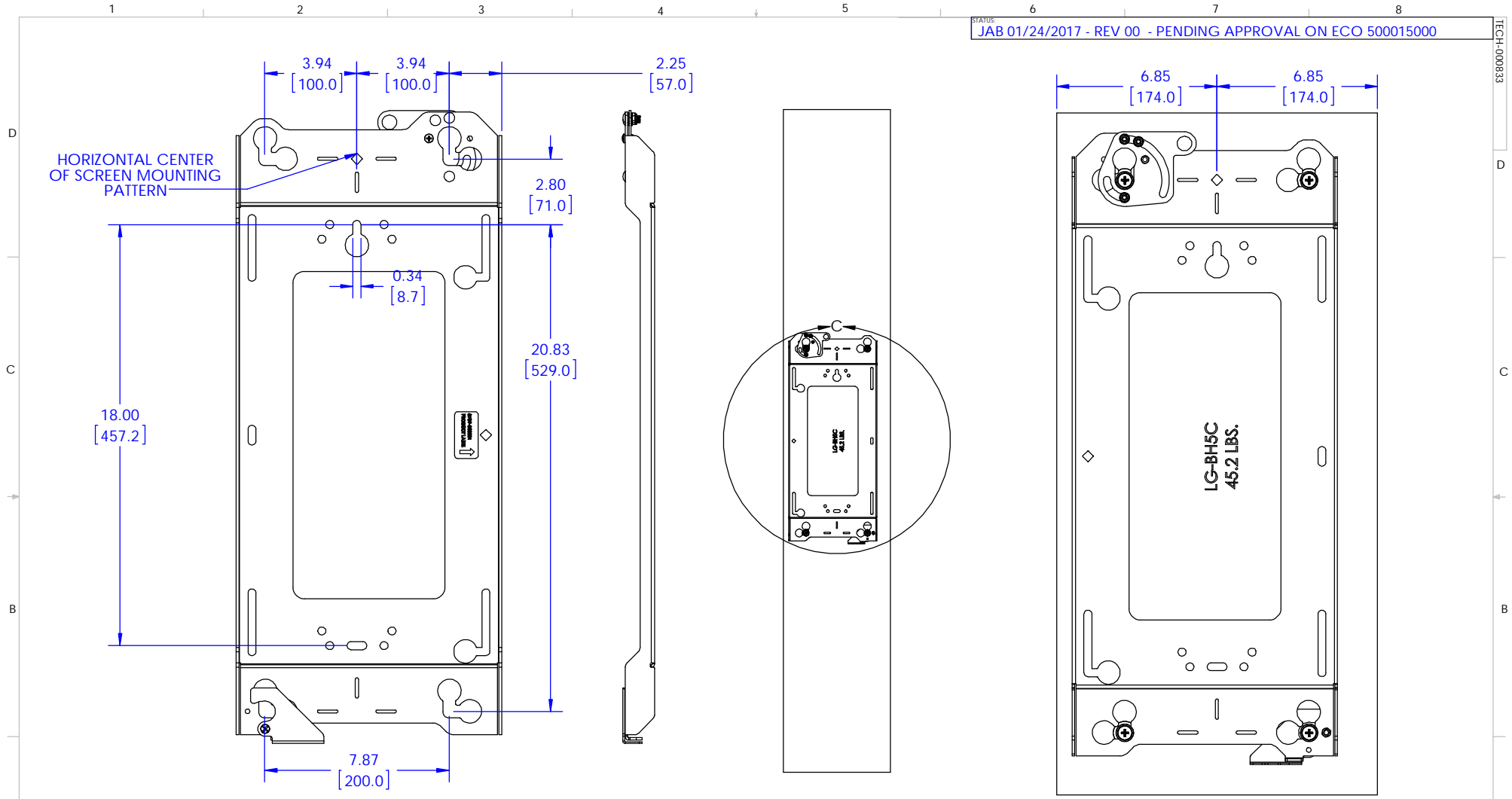


LANDSCAPE ORIENTATION SET-UP



THE INFORMATION AND DESIGNS CONTAINED IN THIS DRAWING ARE CONFIDENTIAL AND THE PROPRIETARY PROPERTY OF MILESTONE AV TECHNOLOGIES NEITHER THIS DESIGN NOR ANY INFORMATION CONTAINED IN THIS DRAWING MAY BE REPRODUCED OR DISCLOSED TO OTHERS WITHOUT THE EXPRESS WRITTEN CONSENT OF MILESTONE AV TECHNOLOGIES.

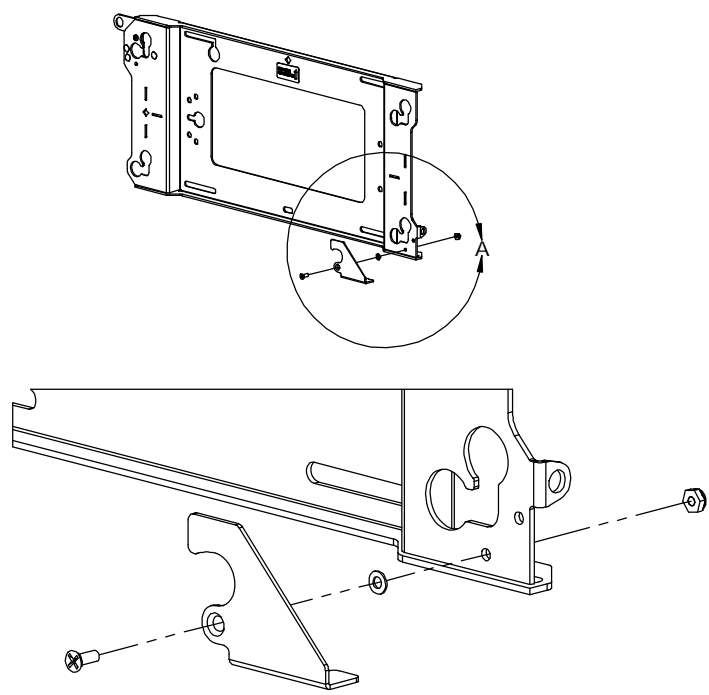
CAD GENERATED DRAWING. DO NOT MANUALLY UPDATE.				6436 CITY WEST PKWY EDEN PRAIRIE MN, 55344 PHONE: 866-977-3901 FAX: 877-894-6918	
DRAWN BY	JAB	3/28/2016			
ENG APPROVAL			DESCRIPTION		
MFG APPROVAL			LG SUPERSTRETCH MOUNT		
QA APPROVAL			MODEL NO. PSMH2860		
SHEET 1 OF 3		SCALE 1:4	SIZE B	DWG. NO. TECH-000833	REV.



DETAIL C

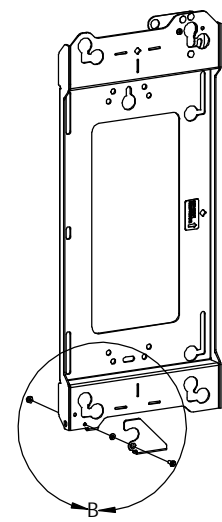
THE INFORMATION AND DESIGNS CONTAINED IN THIS DRAWING ARE CONFIDENTIAL AND THE PROPRIETARY PROPERTY OF MILESTONE AV TECHNOLOGIES NEITHER THIS DESIGN NOR ANY INFORMATION CONTAINED IN THIS DRAWING MAY BE REPRODUCED OR DISCLOSED TO OTHERS WITHOUT THE EXPRESS WRITTEN CONSENT OF MILESTONE AV TECHNOLOGIES.

CAD GENERATED DRAWING. DO NOT MANUALLY UPDATE.		<p>6436 CITY WEST PKWY EDEN PRAIRIE, MN, 55344 PHONE: 866-977-3901 FAX: 877-894-6918</p>
DRAWN BY	JAB 3/28/2016	
ENG APPROVAL		DESCRIPTION
MFG APPROVAL		LG SUPERSTRETCH MOUNT
QA APPROVAL		MODEL NO.
		PSMH2860
SHEET 2 OF 3	SCALE: 1:4	SIZE: DWG. NO. B TECH-000833
		REV.



DETAIL A
SCALE 1 : 2

LATCH ATTACH FOR
LANDSCAPE USE



DETAIL B
SCALE 1 : 2

LATCH ATTACH FOR
PORTRAIT USE

THE INFORMATION AND DESIGNS CONTAINED IN THIS DRAWING ARE CONFIDENTIAL AND THE PROPRIETARY PROPERTY OF MILESTONE AV TECHNOLOGIES NEITHER THIS DESIGN NOR ANY INFORMATION CONTAINED IN THIS DRAWING MAY BE REPRODUCED OR DISCLOSED TO OTHERS WITHOUT THE EXPRESS WRITTEN CONSENT OF MILESTONE AV TECHNOLOGIES.

CAD GENERATED DRAWING. DO NOT MANUALLY UPDATE.				6436 CITY WEST PKWY EDEN PRAIRIE MN, 55344 PHONE: 866-977-3901 FAX: 877-894-6918	
DRAWN BY	JAB	3/28/2016			
ENG APPROVAL			DESCRIPTION		
MFG APPROVAL			LG SUPERSTRETCH MOUNT		
QA APPROVAL			MODEL NO.		
SHEET 3 OF 3		SCALE	1:8	SIZE	DWG. NO.
				B	TECH-000833
					REV.