



## SCETAV3535

EL. HEIGHT ADJUSTABLE SYSTEM WITH V-MOBILE STAND

**Factory:**

Conen Produkte GmbH & Co. KG  
Conenstr. 4  
54497 Morbach-Gonzerath  
Germany

**International sales department:**

Mr. Luc van der Sterren  
Office: +49 65 33 75 311  
Cell: +31 612 495 098  
Email: [Luc@conenmounts.com](mailto:Luc@conenmounts.com)

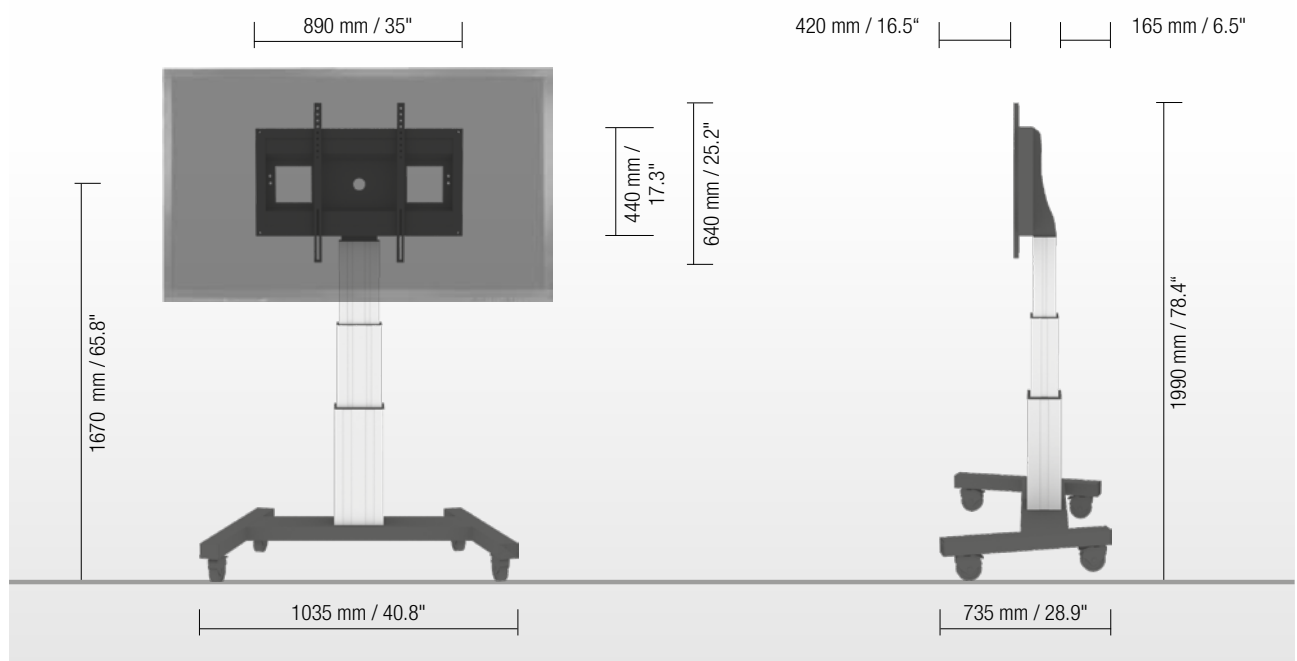
Mr. Arnaud Gielen  
Office: +49 6533 75 310  
Cell: +49 172 655 84 61  
Email: [Arnaud@conenmounts.com](mailto:Arnaud@conenmounts.com)



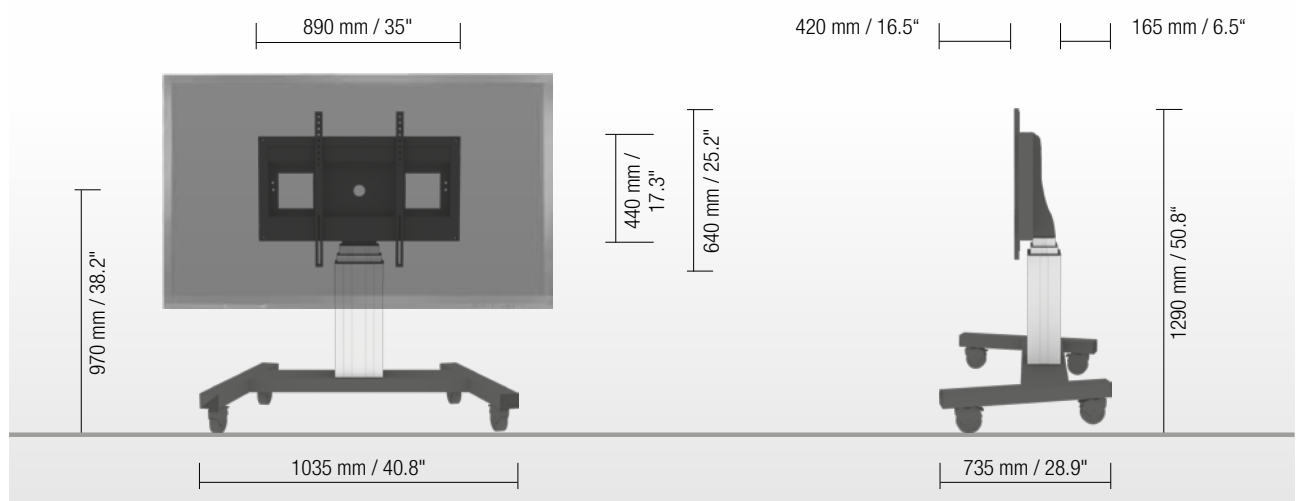
PRODUCT FEATURES

- ◆ Electrical height adjustable column, natural anodized
- ◆ 2 x 350 mm / 2 x 13.8" height adjustment
- ◆ V-shaped mobile stand with four heavy duty castors – two with brakes, RAL 7021 black grey
- ◆ Mount for use with 42" – 100" display
- ◆ VESA 200 x 200 up to 800 x 600
- ◆ Maximum load approximately 150 kg / 330.7 lbs

HIGHEST POSITION



LOWEST POSITION



DETAIL VIEWS



Pull & release locking brackets for easier mounting of display



Smooth running & lockable castors



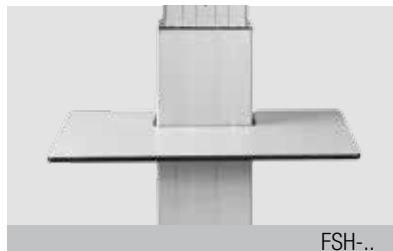
Wired remote control

AVAILABLE ACCESSORIES



LAP4-..

Side shelf



FSH-..

Front shelf



MINI-FUJI

Lockable mini PC bracket



AFSCETAKB

Keyboard shelf



GRIFF-SCETA

2 Handles



LAP-CAB

Lockable notebook cabinet



VCTSCETA

Video conference camera top shelf



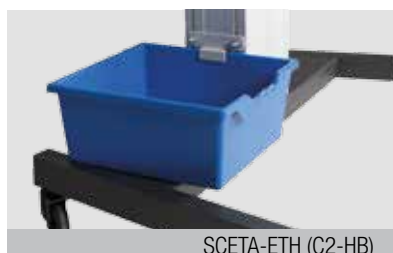
CCEL-EXT20

Extender (200 mm / 7.9")



LOCKSCETA

Lockable wall bracket



SCETA-ETH (C2-HB)

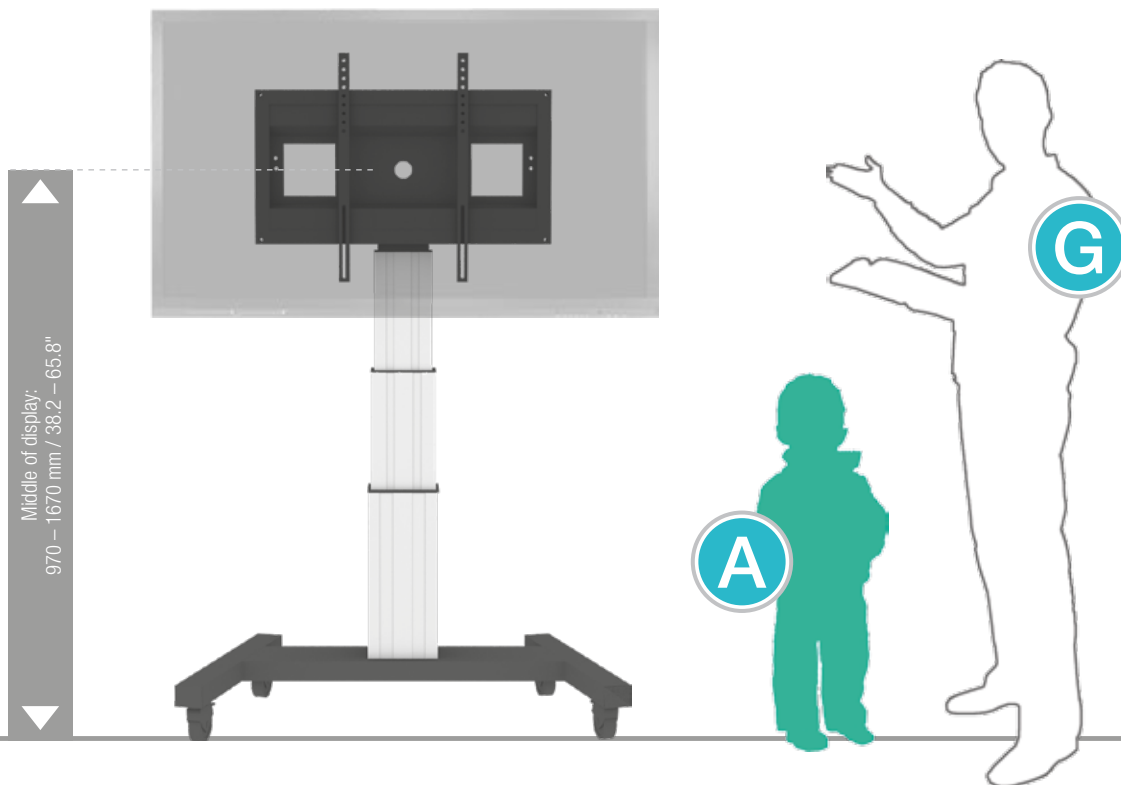
2 box holders (boxes on request)



SCHLIESS-VH

Display securing padlock

SIZE INDEX



Department	Kindergarten				Primary school		Secondary school		Adults
	A	B	C	D	E	F	G		
Silhouette	A	B	C	D	E	F	G		
Age (years)	2 - 3	3 - 4	4 - 7	6 - 11	11 - 14	13 - 16	from 16		
Body size (mm / ")	930 - 980 37 - 38.6	1080 - 1210 42.5 - 47.6	1190 - 1420 46.9 - 56	1330 - 1590 52.4 - 62.6	1460 - 1765 57.5 - 69.5	1590 - 1880 62.6 - 74	1740 - 2070 68.5 - 81.5		
Color	Green	Purple	Yellow	Red	Light Green	Blue			

PACKING UNITS

Item no.	Description	Packing dimensions (mm / ")	Net weight (kg / lbs)	Gross weight (kg / lbs)
CCE-3535	Electrical height adjustable column, 2 x 350 mm / 13.8" height adjustment, L = 585 mm / 23"	760 x 270 x 220 / 29.9 x 10.6 x 8.7	21,2 / 46.7	24,0 / 53
AF-SCETA-N	Display mount	160 x 900 x 450 / 6.3 x 35.4 x 17.1	11,7 / 25.8	13,6 / 30
MST-SCETA-V	V-shaped mobile stand	1140 x 780 x 150 / 44.9 x 30.7 x 5.9	13,0 / 28.7	16,5 / 36.4
Total weight			45,9 / 101.2	54,1 / 119.4