



SCETAV3535B

EL. HEIGHT ADJUSTABLE SYSTEM WITH V-MOBILE STAND

Factory:

Conen Produkte GmbH & Co. KG
Conenstr. 4
54497 Morbach – Gonzerath
Germany

International sales department:

Mr. Luc van der Sterren
Office: +49 65 33 75 311
Cell: +31 612 495 098
Email: Luc@conenmounts.com

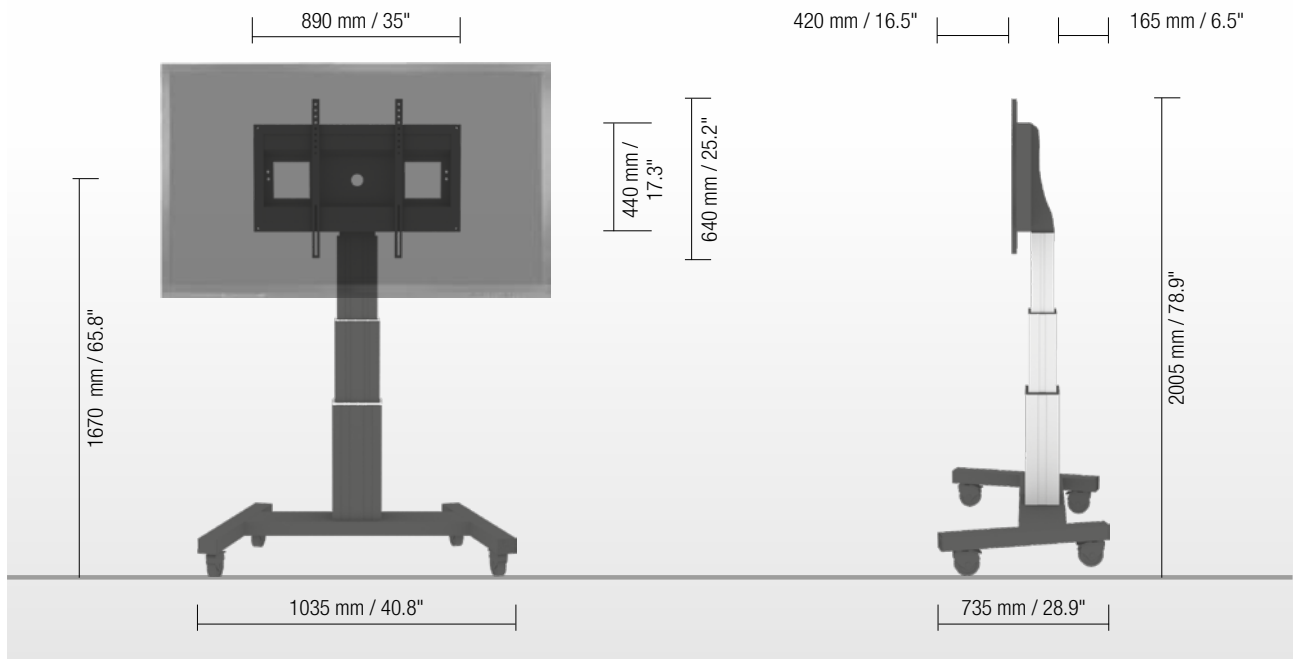
Mr. Arnaud Gielen
Office: +49 6533 75 310
Cell: +49 172 655 84 61
Email: Arnaud@conenmounts.com



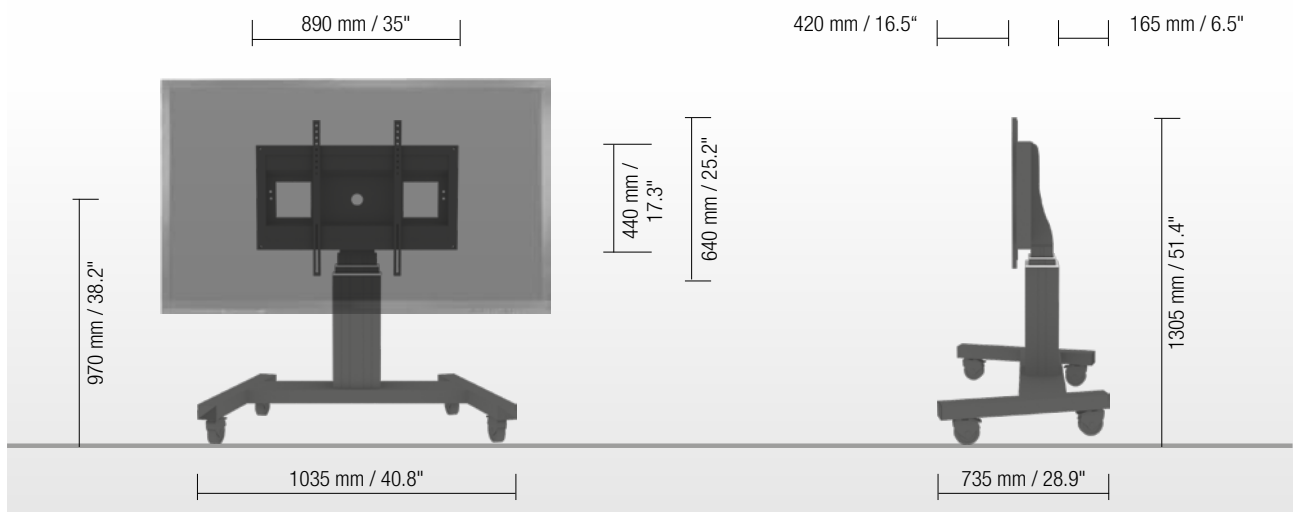
PRODUCT FEATURES

- ◆ electrical height adjustable column, black anodized
- ◆ 2 x 350 mm / 2 x 13.8" height adjustment
- ◆ Mobile base with four heavy duty casters – two with brakes, V-shape, RAL 7021 black grey
- ◆ mount for use with 42" – 100" display
- ◆ VESA 200 x 200 up to 800 x 600
- ◆ maximum load approximately 150 kg / 330.7 lbs

HIGHEST POSITION



LOWEST POSITION



DETAIL VIEWS



Pull & release locking brackets for easier mounting of display



Smooth running & lockable wheels



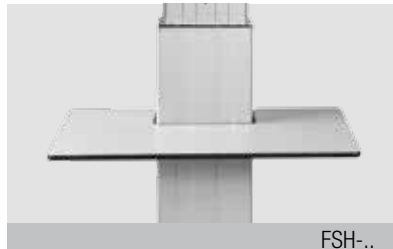
Wired remote control

AVAILABLE ACCESSORIES



LAP4-..

Side shelf



FSH-..

Front shelf



MINI-FUJI

Lockable mini PC bracket



AFSCETAKB

Keyboard shelf



GRIFF-SCETA

2 Handles



LAP-CAB

Lockable notebook cabinet



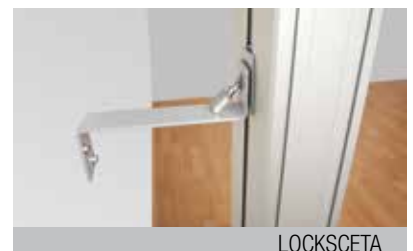
VCTSCETA

Video conference camera top shelf



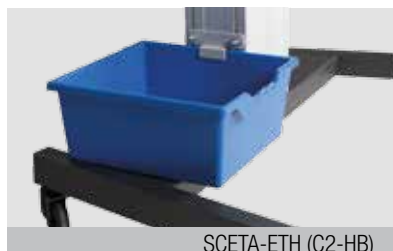
CCEL-EXT20

Extender (200 mm / 7.9")



LOCKSCETA

Lockable wall bracket



SCETA-ETH (C2-HB)

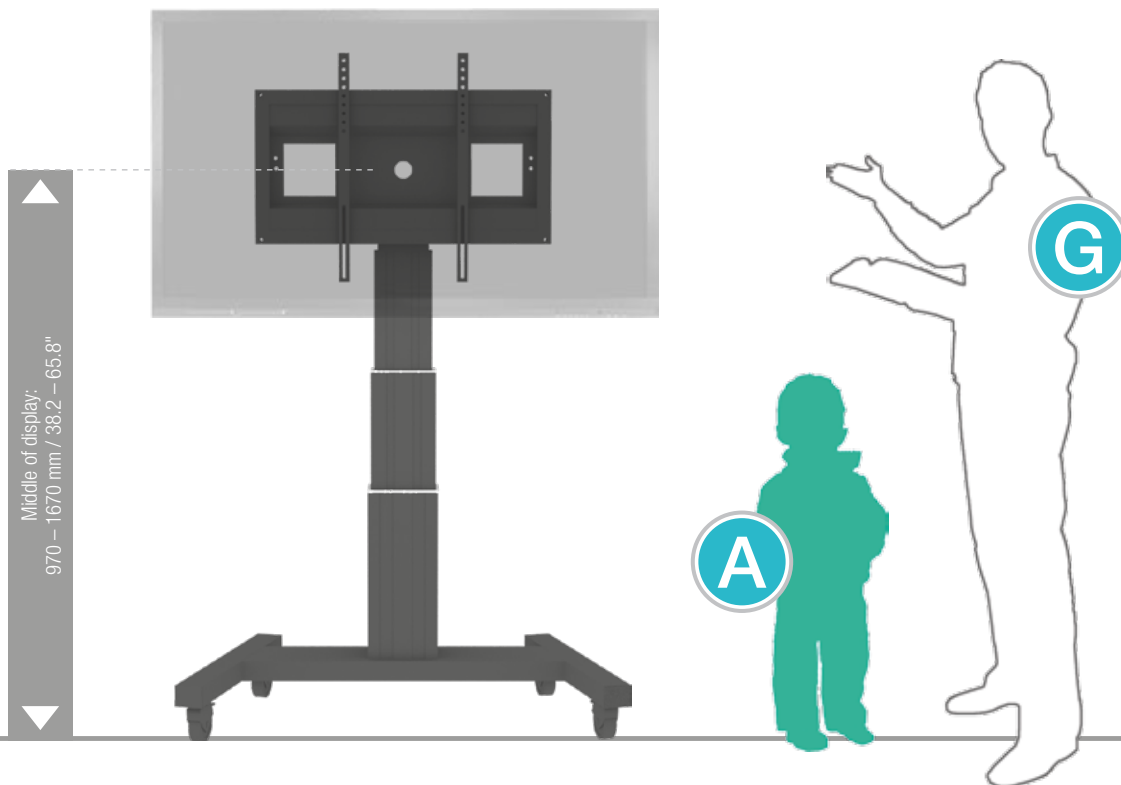
2 box holders (boxes on request)



SCHLIESS-VH

Display securing padlock

SIZE INDEX



| Department | Kindergarten | | | Primary school | | Secondary school | | Adults |
|--------------------|------------------------|----------------------------|--------------------------|----------------------------|----------------------------|--------------------------|----------------------------|--------|
| | A | B | C | D | E | F | G | |
| Silhouette | A | B | C | D | E | F | G | |
| Age (years) | 2 – 3 | 3 – 4 | 4 – 7 | 6 – 11 | 11 – 14 | 13 – 16 | from 16 | |
| Body size (mm / ") | 930 – 980 37 – 38.6 | 1080 – 1210 42.5 – 47.6 | 1190 – 1420 46.9 – 56 | 1330 – 1590 52.4 – 62.6 | 1460 – 1765 57.5 – 69.5 | 1590 – 1880 62.6 – 74 | 1740 – 2070 68.5 – 81.5 | |
| Color | Green | Purple | Yellow | Red | Light Green | Blue | | |

PACKING UNITS

| Part. no. | Description | Packing dimensions (mm / ") | Net weight (kg / lbs) | Gross weight (kg / lbs) |
|--------------|---|--------------------------------------|-----------------------|-------------------------|
| CCE-3535B | electrical height adjustable column, 2 x 350 mm / 13.8" height adjustment, L = 585 mm / 23" | 760 x 270 x 220 / 29.9 x 10.6 x 8.7 | 21,2 / 46.7 | 24,0 / 53 |
| AF-SCETA-N | Display mount | 160 x 900 x 450 / 6.3 x 35.4 x 17.1 | 11,7 / 25.8 | 13,6 / 30 |
| MST-SCETA-V | Mobile base, V-style | 1140 x 780 x 150 / 44.9 x 30.7 x 5.9 | 13,0 / 28.7 | 16,5 / 36.4 |
| Total weight | | | 45,9 / 101.2 | 54,1 / 119.4 |