



SCETAV28

EL. HEIGHT ADJUSTABLE SYSTEM WITH V-MOBILE STAND

Factory:

Conen Produkte GmbH & Co. KG
Conenstr. 4
54497 Morbach-Gonzerath
Germany

International sales department:

Mr. Luc van der Sterren
Office: +49 65 33 75 311
Cell: +31 612 495 098
Email: Luc@conenmounts.com

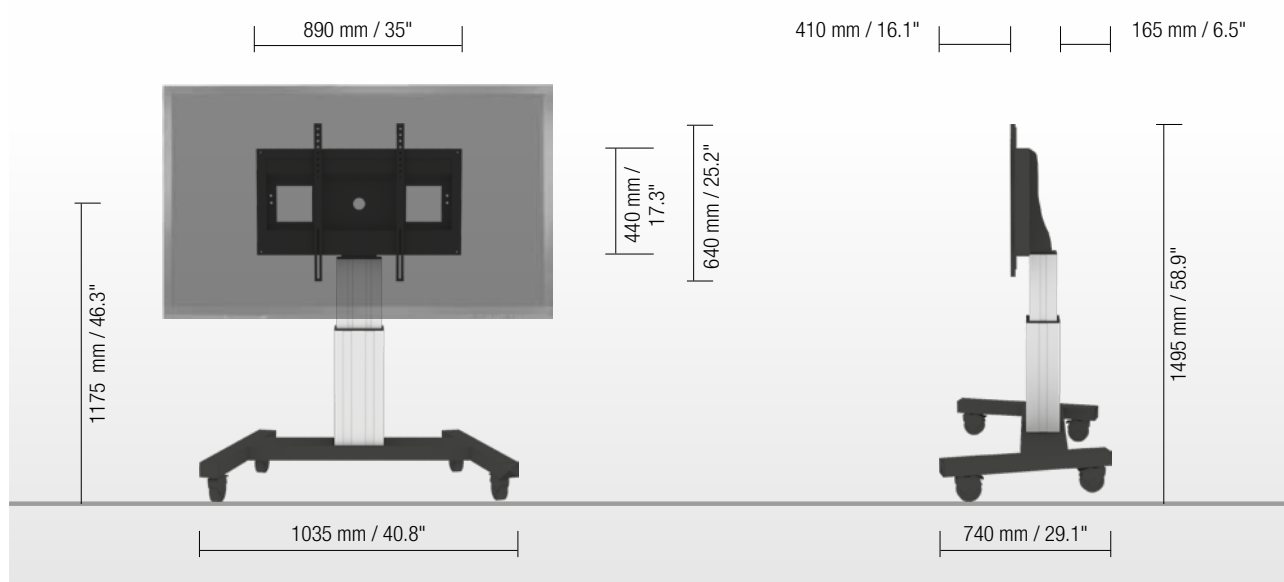
Mr. Arnaud Gielen
Office: +49 6533 75 310
Cell: +49 172 655 84 61
Email: Arnaud@conenmounts.com



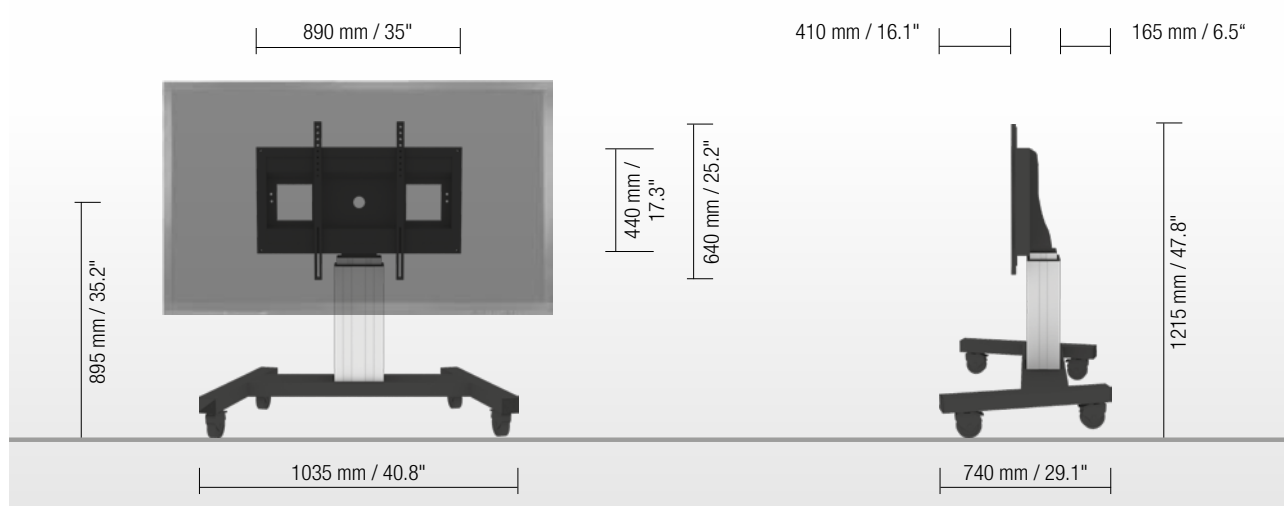
PRODUCT FEATURES

- ◆ Electrical height adjustable column, natural anodized
- ◆ 280 mm / 11" height adjustment
- ◆ V-shaped mobile stand with four heavy duty castors – two with brakes, RAL 7021 black grey
- ◆ Mount for use with 42" – 100" display
- ◆ VESA 200 x 200 up to 800 x 600
- ◆ Maximum load approximately 150 kg / 330.7 lbs

HIGHEST POSITION



LOWEST POSITION



DETAIL VIEWS



Pull & release locking brackets for easier mounting of display



Smooth running & lockable castors



Wired remote control

AVAILABLE ACCESSORIES



Side shelf



Lockable mini PC bracket



Keyboard shelf



2 Handles



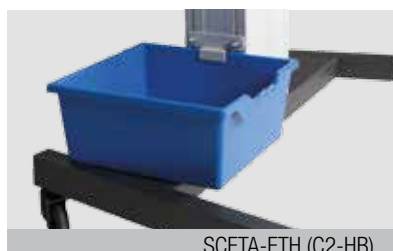
Lockable notebook cabinet



Extender (200 mm / 7.9")



Lockable wall bracket

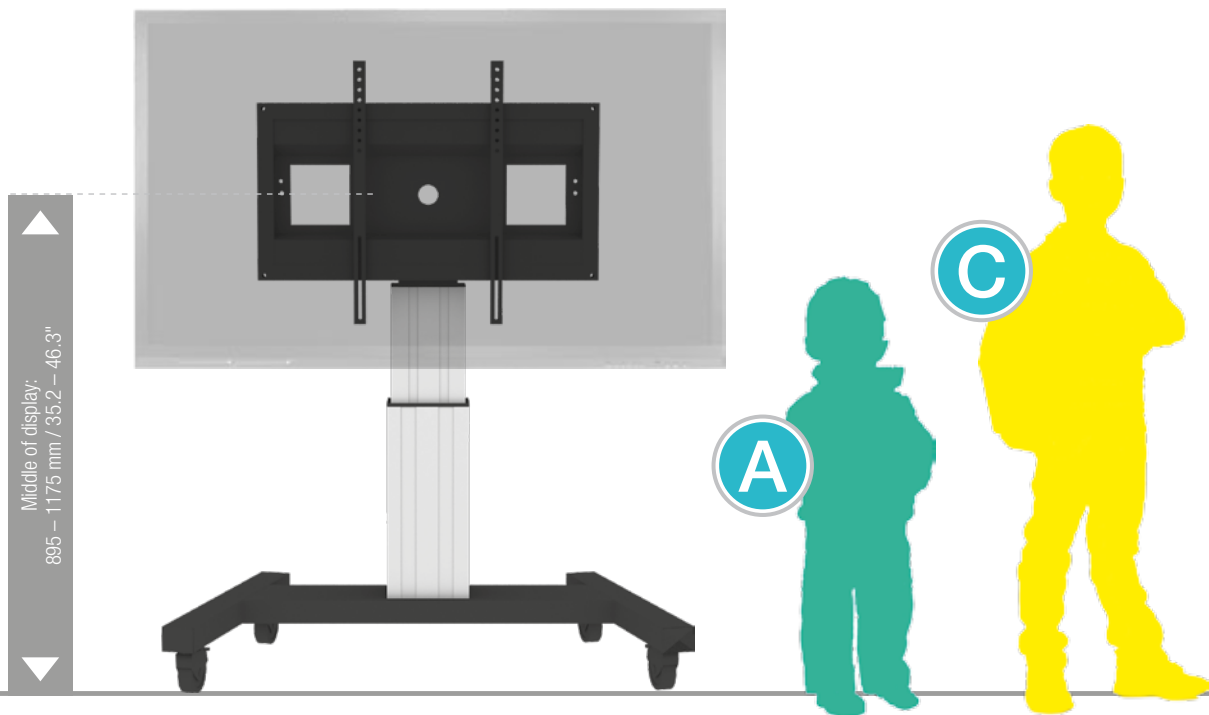


2 box holders (boxes on request)



Display securing padlock

SIZE INDEX



Department	Kindergarten			Primary school		Secondary school		Adults
Silhouette	A	B	C	D	E	F	G	
Age (years)	2 – 3	3 – 4	4 – 7	6 – 11	11 – 14	13 – 16	from 16	
Body size (mm / ")	930 – 980 37 – 38.6	1080 – 1210 42.5 – 47.6	1190 – 1420 46.9 – 56	1330 – 1590 52.4 – 62.6	1460 – 1765 57.5 – 69.5	1590 – 1880 62.6 – 74	1740 – 2070 68.5 – 81.5	
Color	Green	Purple	Yellow	Red	Green	Blue		

PACKING UNITS

Item no.	Description	Packing dimensions (mm / ")	Net weight (kg / lbs)	Gross weight (kg / lbs)
CCE-28	electrical height adjustable column, 280 mm / 11" height adjustment, L = 500 mm / 19.7"	680 x 270 x 220 / 26.8 x 10.6 x 8.7	15,4 / 34	18,0 / 39.7
AF-SCETA-N	Display mount	160 x 900 x 450 / 6.3 x 35.4 x 17.1	11,7 / 25.8	13,6 / 30
MST-SCETA-V	V-shaped mobile stand	1140 x 780 x 150 / 44.9 x 30.7 x 5.9	13,0 / 28.7	16,5 / 36.4
Total weight			40,1 / 88.4	48,1 / 106