



## SCEXLW

EL. HEIGHT ADJUSTABLE SYSTEM FOR WALL MOUNTING

**Factory:**

Conen Produkte GmbH & Co. KG  
Conenstr. 4  
54497 Morbach – Gonzerath  
Germany

**International sales department:**

Mr. Luc van der Sterren  
Office: +49 65 33 75 311  
Cell: +31 612 495 098  
Email: [Luc@conenmounts.com](mailto:Luc@conenmounts.com)

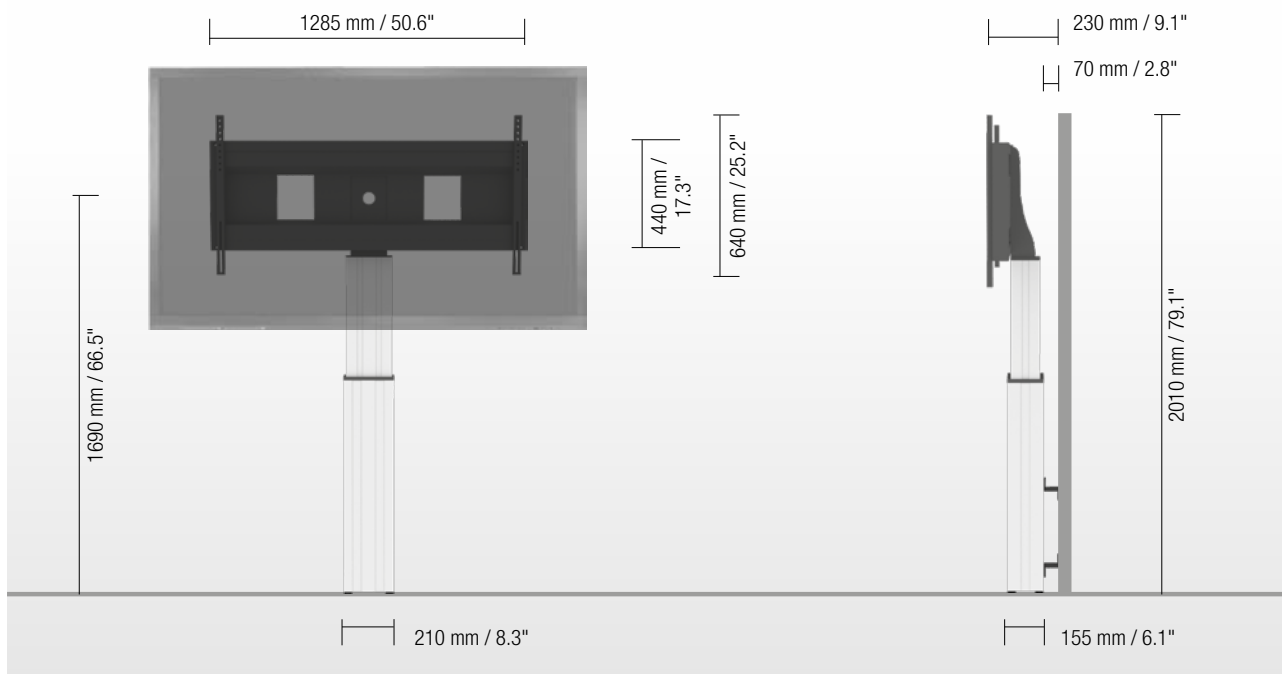
Mr. Arnaud Gielen  
Office: +49 6533 75 310  
Cell: +49 172 655 84 61  
Email: [Arnaud@conenmounts.com](mailto:Arnaud@conenmounts.com)



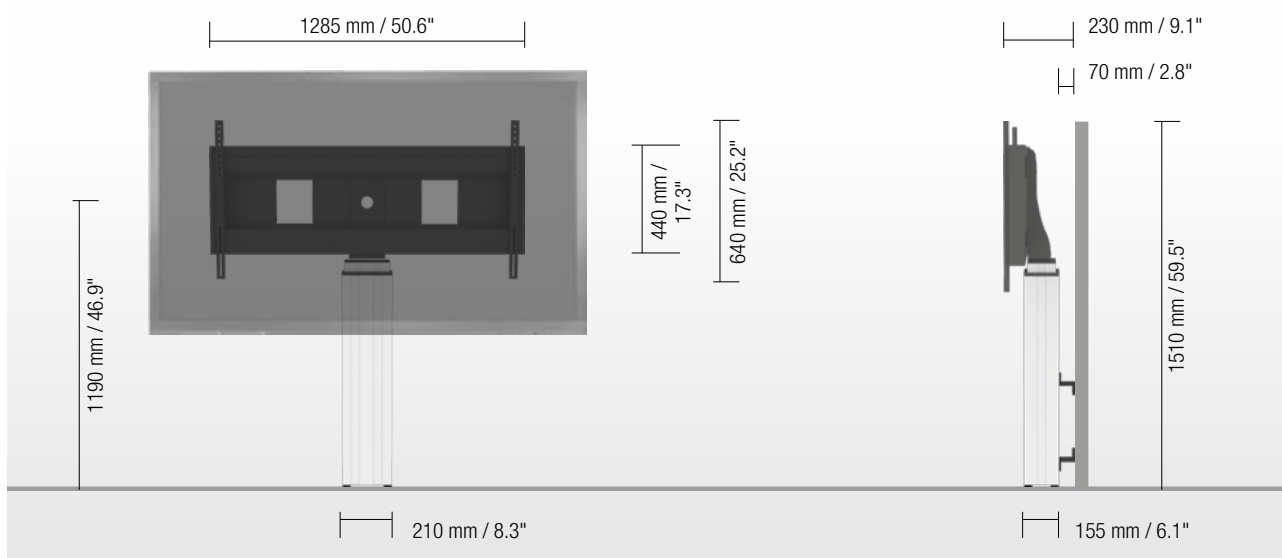
### PRODUCT FEATURES

- ◆ electrical height adjustable column, natural anodized
- ◆ 500 mm / 19.7" height adjustment
- ◆ System suitable for wall mounting on massive walls, wall clearance by default 70 mm / 2.8", 4 leveling feet
- ◆ XL-display mount for use with 70" – 120" display
- ◆ VESA 300 x 200 up to 1200 x 600
- ◆ maximum load approximately 150 kg / 330.7 lbs

### HIGHEST POSITION



### LOWEST POSITION



DETAIL VIEWS



Pull & release locking brackets for easier mounting of display



Leveling feet



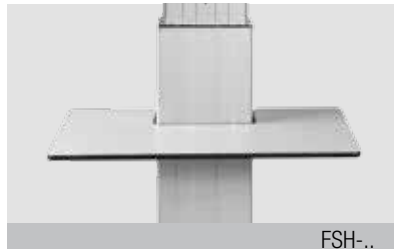
Wired remote control

AVAILABLE ACCESSORIES



Side shelf

LAP4-..



Front shelf

FSH-..



Lockable mini PC bracket

MINI-FUJI



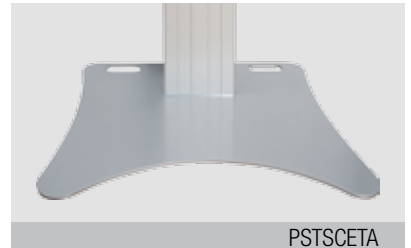
Keyboard shelf

AFSCETAKB



Video conference camera top shelf

VCTSCETA



Floor plate

PSTSCETA

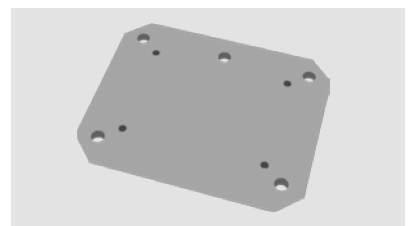


Plate to groundfixing

PSTSCETAS



Foot remote control

REM-FOOT



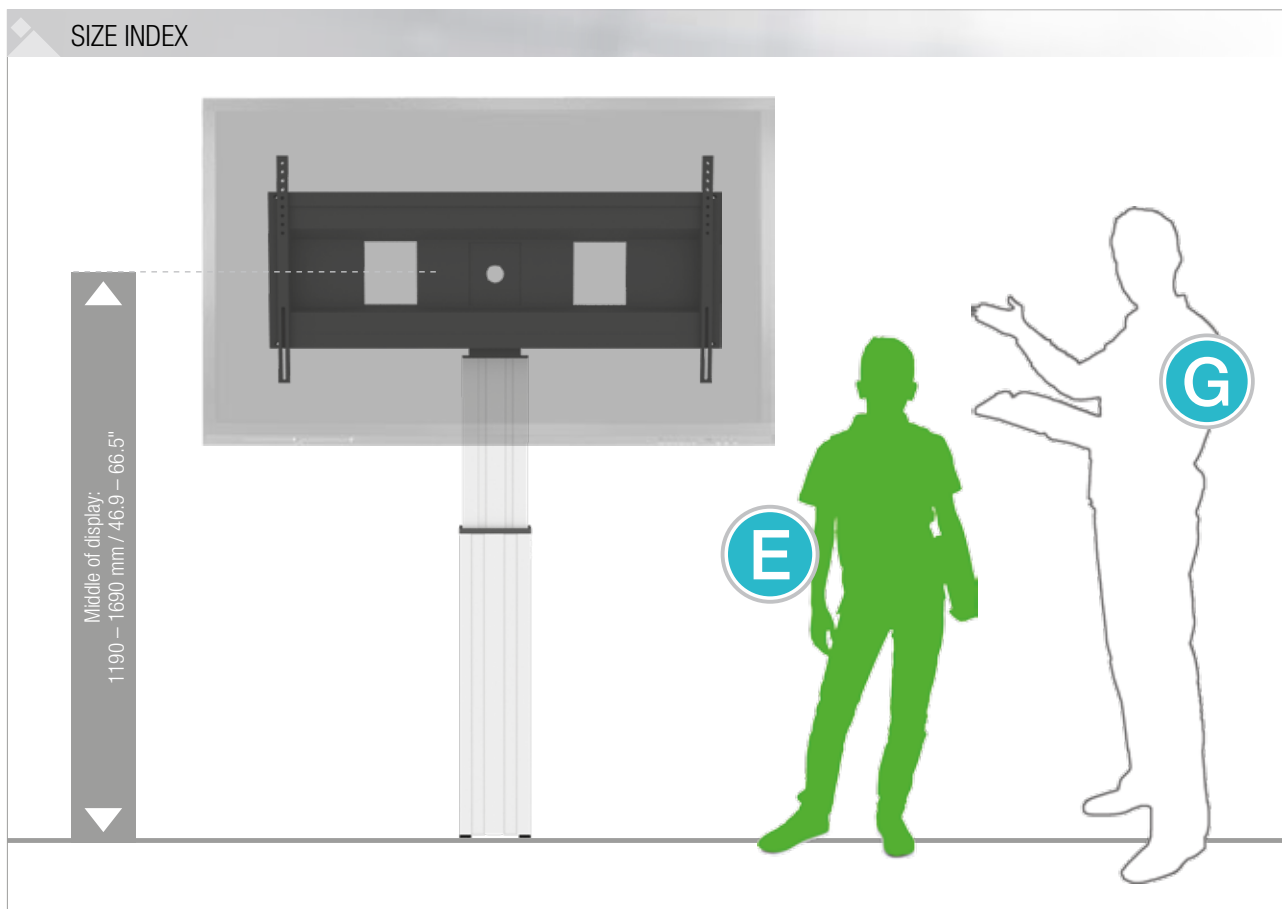
Extender (200 mm / 7.9")

CCE-EXT20



Display securing padlock

SCHLIESS-VH



| Department         | Kindergarten           |                            |                          |                            | Primary school             |                          | Secondary school           |  | Adults |
|--------------------|------------------------|----------------------------|--------------------------|----------------------------|----------------------------|--------------------------|----------------------------|--|--------|
|                    | A                      | B                          | C                        | D                          | E                          | F                        | G                          |  |        |
| Silhouette         |                        |                            |                          |                            |                            |                          |                            |  |        |
| Age (years)        | 2 – 3                  | 3 – 4                      | 4 – 7                    | 6 – 11                     | 11 – 14                    | 13 – 16                  | from 16                    |  |        |
| Body size (mm / ") | 930 – 980<br>37 – 38.6 | 1080 – 1210<br>42.5 – 47.6 | 1190 – 1420<br>46.9 – 56 | 1330 – 1590<br>52.4 – 62.6 | 1460 – 1765<br>57.5 – 69.5 | 1590 – 1880<br>62.6 – 74 | 1740 – 2070<br>68.5 – 81.5 |  |        |
| Color              |                        |                            |                          |                            |                            |                          |                            |  |        |

| PACKING UNITS |   |                                      |                       |                         |
|---------------|---|--------------------------------------|-----------------------|-------------------------|
| Part. no.     | Description   | Packing dimensions (mm / ")          | Net weight (kg / lbs) | Gross weight (kg / lbs) |
| CCE70-W       | electrical height adjustable column, 500 mm / 19.7" height adjustment, L = 900 mm / 35.4" | 1180 x 270 x 200 / 46.5 x 10.6 x 7.9 | 21 / 46.3             | 23,1 / 50.9             |
| AFSCETAN12    | XL-display mount  | 1295 x 160 x 450 / 51 x 6.3 x 17.7   | 15 / 33.1             | 18 / 39.7               |
| Total weight  |   |                                      | 36 / 79.4             | 41,1 / 90.6             |