

Quick Start

Thank you for purchasing the MSI® **X299 TOMAHAWK/ X299 TOMAHAWK AC** motherboard. This Quick Start section provides demonstration diagrams about how to install your computer. Some of the installations also provide video demonstrations. Please link to the URL to watch it with the web browser on your phone or tablet. You may have even link to the URL by scanning the QR code.

Kurzanleitung

Danke, dass Sie das MSI® **X299 TOMAHAWK/ X299 TOMAHAWK AC** Motherboard gewählt haben. Dieser Abschnitt der Kurzanleitung bietet eine Demo zur Installation Ihres Computers. Manche Installationen bieten auch die Videodemonstrationen. Klicken Sie auf die URL, um diese Videoanleitung mit Ihrem Browser auf Ihrem Handy oder Table anzusehen. Oder scannen Sie auch den QR Code mit Ihrem Handy, um die URL zu öffnen.

Présentation rapide

Merci d' avoir choisi la carte mère MSI® **X299 TOMAHAWK/ X299 TOMAHAWK AC**. Ce manuel fournit une rapide présentation avec des illustrations explicatives qui vous aideront à assembler votre ordinateur. Des tutoriels vidéo sont disponibles pour certaines étapes. Cliquez sur le lien fourni pour regarder la vidéo sur votre téléphone ou votre tablette. Vous pouvez également accéder au lien en scannant le QR code qui lui est associé.

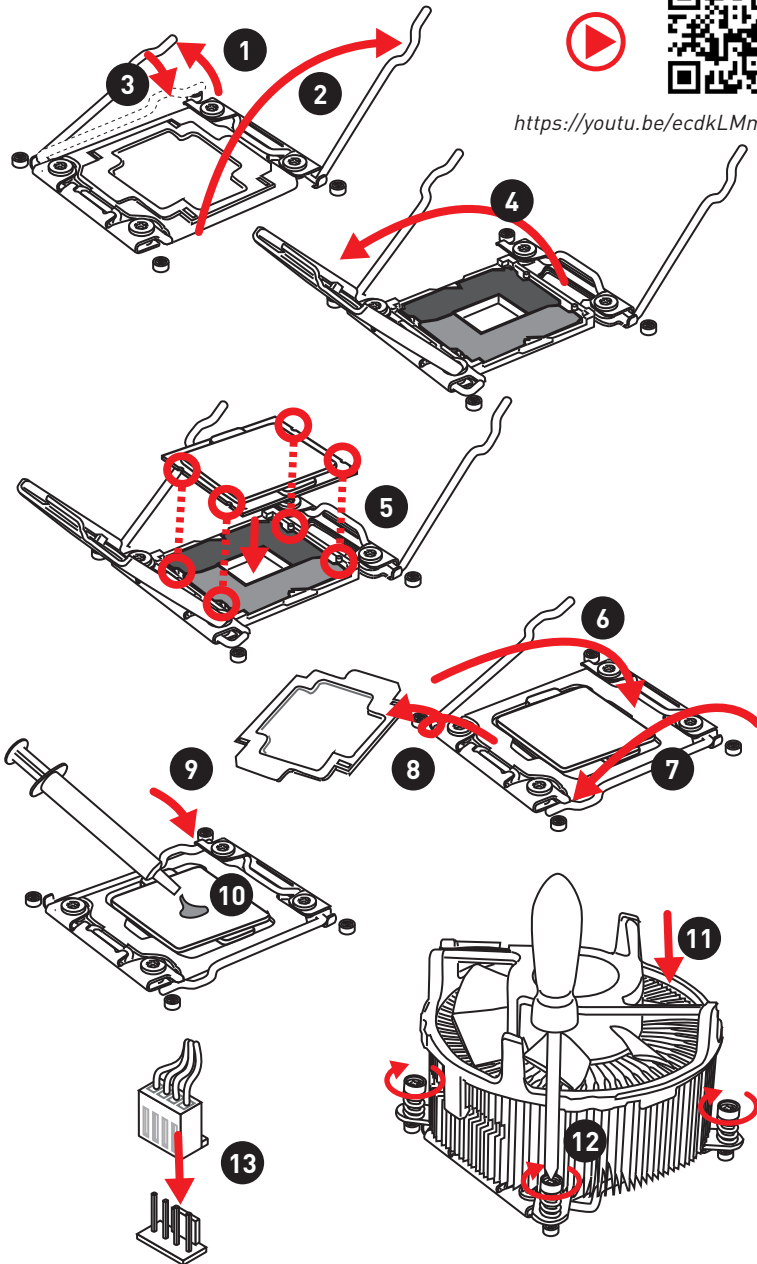
Быстрый старт

Благодарим вас за покупку материнской платы MSI® **X299 TOMAHAWK/ X299 TOMAHAWK AC**. В этом разделе представлена информация, которая поможет вам при сборке компьютера. Для некоторых этапов сборки имеются видеоруководства. Для просмотра видео, необходимо открыть соответствующую ссылку в веб-браузере на вашем телефоне или планшете. Вы также можете выполнить переход по ссылке, путем сканирования QR-кода.

Installing a Processor/ Installation des Prozessors/ Installer un processeur/ Установка процессора



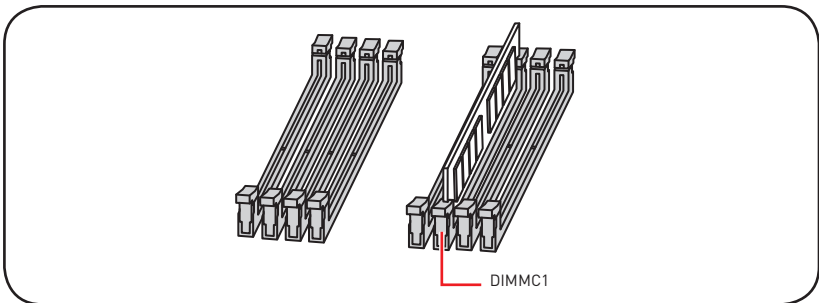
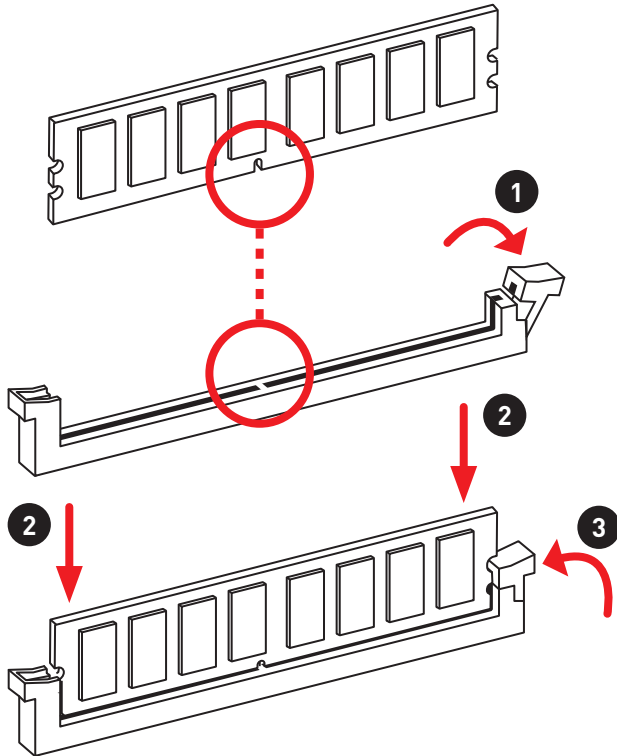
<https://youtu.be/ecdkLMmky4>



Installing DDR4 memory/ Installation des DDR4-Speichers/ Installer une mémoire DDR4/ Установка памяти DDR4



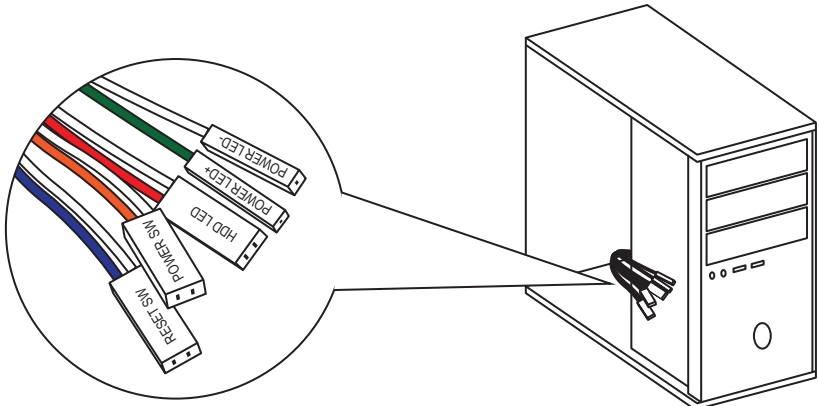
<http://youtu.be/T03aDrJPYQs>



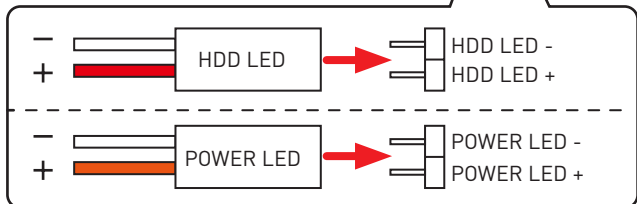
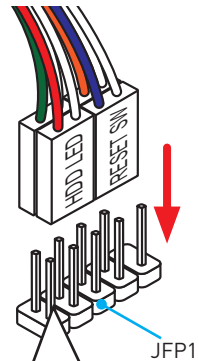
Connecting the Front Panel Header/ Anschließen der Frontpanel-Stiftleiste/ Connecter un connecteur du panneau avant/ Подключение разъемов передней панели



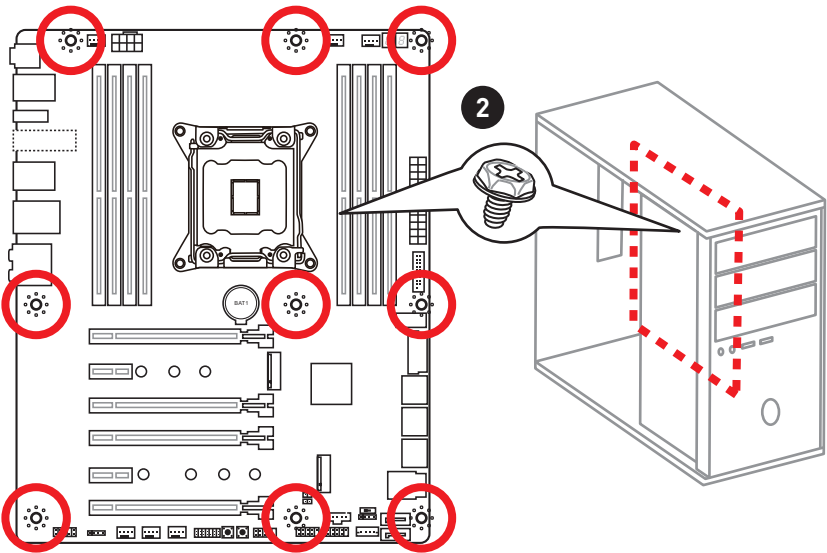
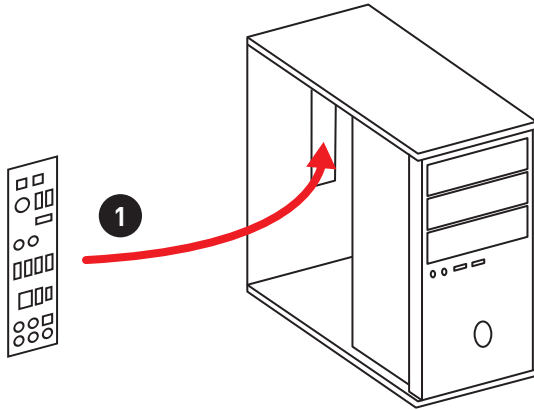
<http://youtu.be/DPELIdVNZUI>



<p>JFP1</p>	<table border="1"> <tr> <td>1</td> <td>HDD LED +</td> <td>2</td> <td>Power LED +</td> </tr> <tr> <td>3</td> <td>HDD LED -</td> <td>4</td> <td>Power LED -</td> </tr> <tr> <td>5</td> <td>Reset Switch</td> <td>6</td> <td>Power Switch</td> </tr> <tr> <td>7</td> <td>Reset Switch</td> <td>8</td> <td>Power Switch</td> </tr> <tr> <td>9</td> <td>Reserved</td> <td>10</td> <td>No Pin</td> </tr> </table>	1	HDD LED +	2	Power LED +	3	HDD LED -	4	Power LED -	5	Reset Switch	6	Power Switch	7	Reset Switch	8	Power Switch	9	Reserved	10	No Pin
1	HDD LED +	2	Power LED +																		
3	HDD LED -	4	Power LED -																		
5	Reset Switch	6	Power Switch																		
7	Reset Switch	8	Power Switch																		
9	Reserved	10	No Pin																		



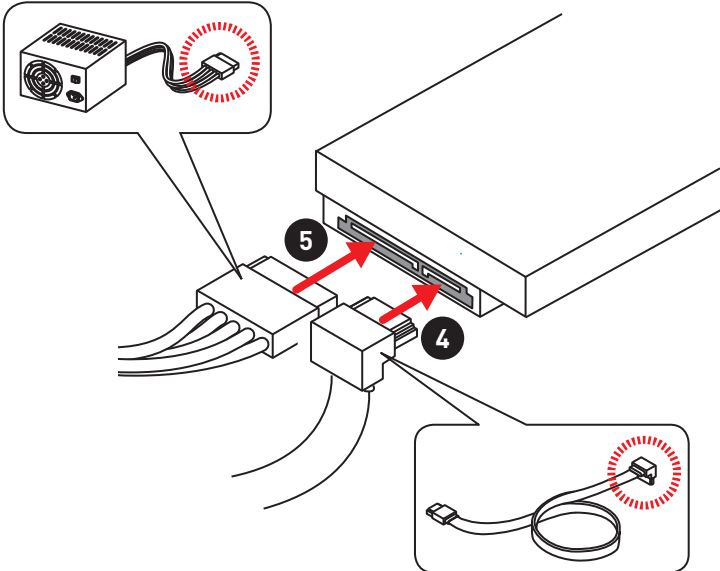
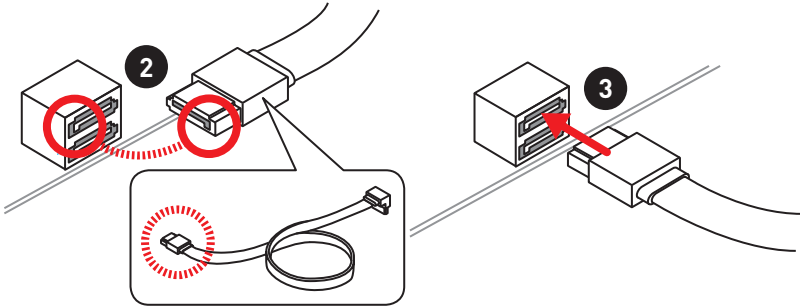
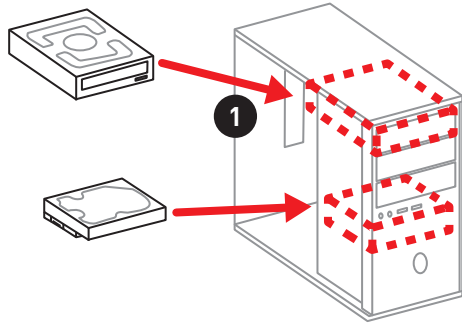
**Installing the Motherboard/ Installation des Motherboards/
Installer la carte mère/ Установка материнской платы**



Installing SATA Drives/ Installation der SATA-Laufwerke/ Installer le disque dur SATA/ Установка дисков SATA



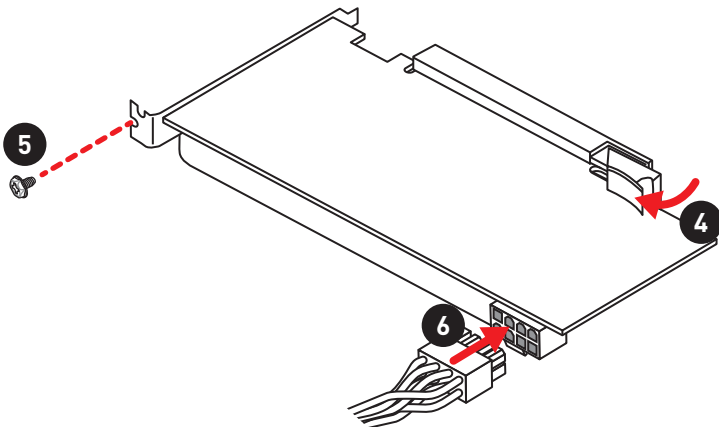
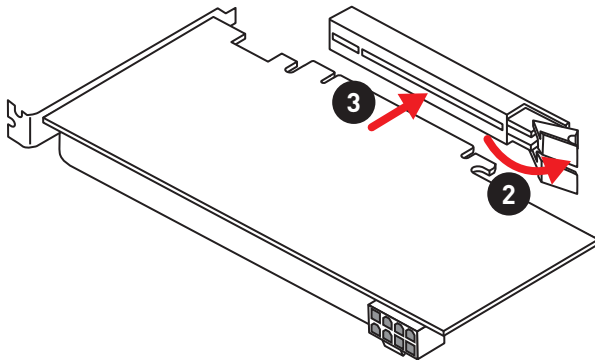
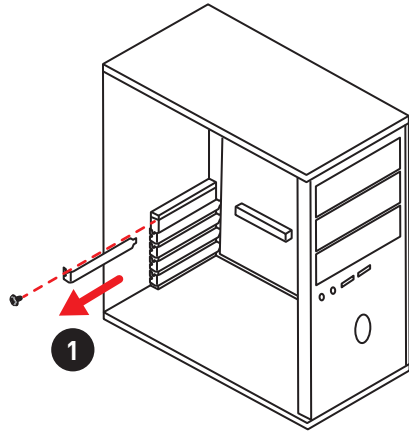
<http://youtu.be/RZsMpqxythc>



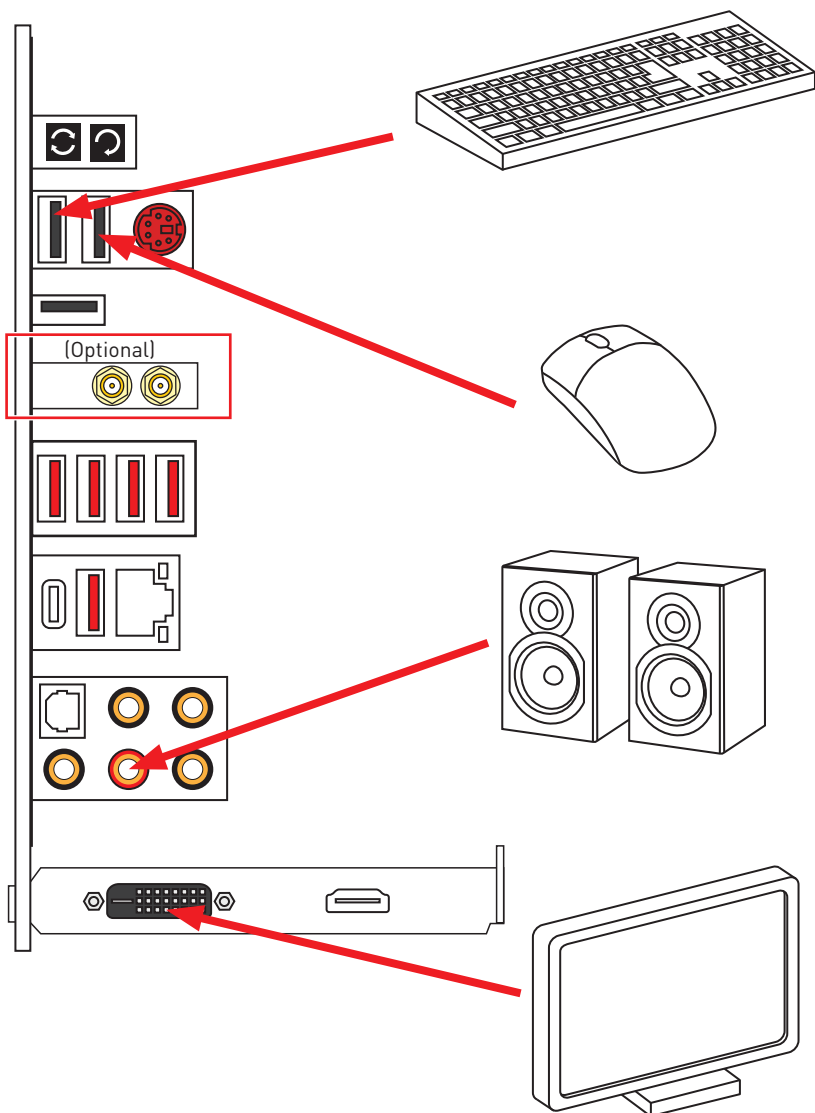
Installing a Graphics Card/ Einbau der Grafikkarte/ Installer une carte graphique/ Установка дискретной видеокарты



http://youtu.be/mG0GZpr9w_A



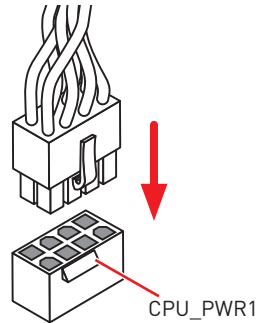
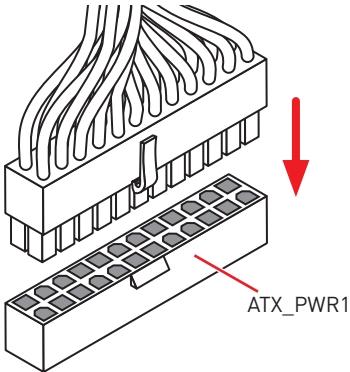
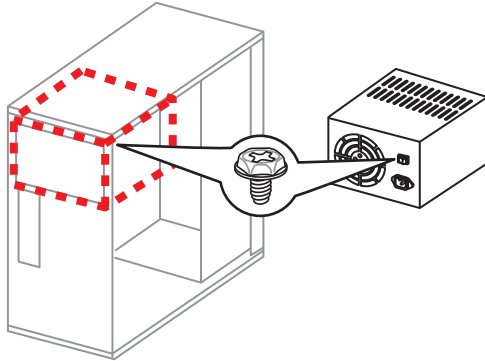
**Connecting Peripheral Devices/ Peripheriegeräte/
Connecter un périphérique anschliessen/ Подключение
периферийных устройств**



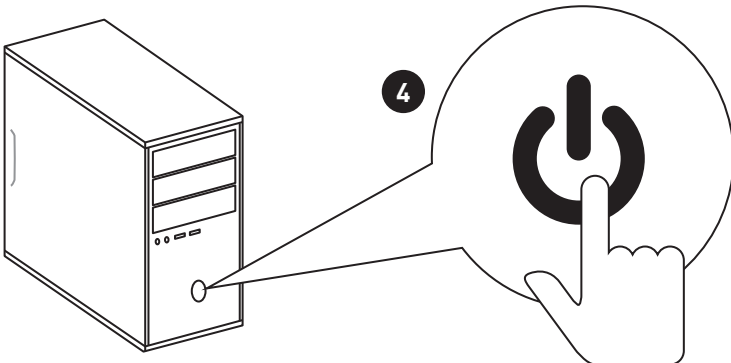
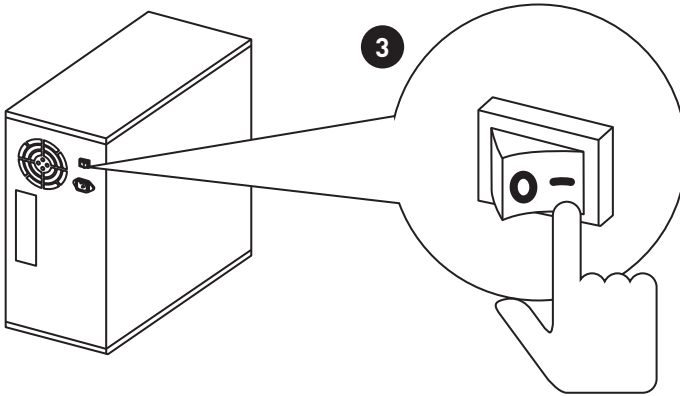
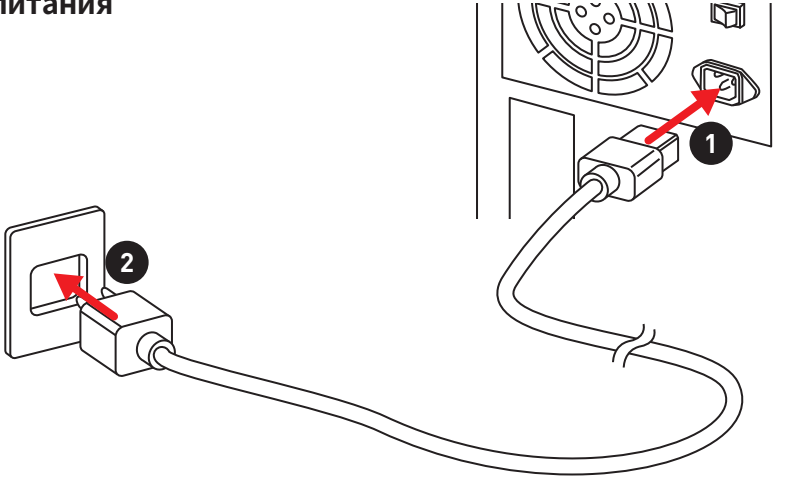
**Connecting the Power Connectors/ Stromanschlüsse
anschiessen/ Connecter les câbles du module d' alimentation/
Подключение разъемов питания**



http://youtu.be/gkDYyR_83I4



**Power On/ Einschalten/ Mettre sous-tension/ Включение
питания**



Contents

Safety Information	3
Specifications	4
Rear I/O Panel	10
LAN Port LED Status Table.....	10
Audio Ports Configuration	10
Realtek HD Audio Manager	11
Installing Antennas (Optional).....	13
Overview of Components	14
CPU Socket	15
DIMM Slots.....	16
PCI_E1~6: PCIe Expansion Slots.....	19
PCIe slots bandwidth table.....	19
U2_1: U.2 Connector.....	21
M2_1~2: M.2 Slots (Key M)	22
SATA1~8: SATA 6Gb/s Connectors	23
CPU_PWR1, ATX_PWR1: Power Connectors	25
VRAID1: Virtual RAID on CPU Connector	25
JFP1, JFP2: Front Panel Connectors	26
JUSB3, JUSB4: USB 3.1 Gen1 Connectors.....	26
JUSB5: USB 3.1 Gen2 Type-C Connector.....	27
JUSB1~2: USB 2.0 Connectors.....	28
JTPM1: TPM Module Connector.....	28
CPU_FAN1, PUMP_FAN1, SYS_FAN1~4: Fan Connectors.....	29
JTBT1: Thunderbolt Add-on Card Connector	29
JAUD1: Front Audio Connector	30
JCI1: Chassis Intrusion Connector.....	30
BIOS_SW1: Multi-BIOS Switch	31
JBAT1: Clear CMOS (Reset BIOS) Jumper.....	32
POWER1, RESET1: Power Button, Reset Button	32
JLED1: RGB LED connector	33
Onboard LEDs	34
EZ Debug LEDs	34
DIMM LEDs	34
XMP LED	34
Fan LEDs.....	35
PCIe x16 slot LEDs.....	35
Debug Code LED.....	36

Debug Code LED Table	36
ACPI States Codes	38
CPU Temperature	38
Updating LED Firmware	39
BIOS Setup	40
Entering BIOS Setup	40
Resetting BIOS.....	41
Updating BIOS.....	41
EZ Mode	43
Advanced Mode	45
OC Menu.....	46
Software Description.....	52
Installing Windows® 10.....	52
Installing Drivers	52
Installing Utilities	52

Safety Information

- The components included in this package are prone to damage from electrostatic discharge (ESD). Please adhere to the following instructions to ensure successful computer assembly.
- Ensure that all components are securely connected. Loose connections may cause the computer to not recognize a component or fail to start.
- Hold the motherboard by the edges to avoid touching sensitive components.
- It is recommended to wear an electrostatic discharge (ESD) wrist strap when handling the motherboard to prevent electrostatic damage. If an ESD wrist strap is not available, discharge yourself of static electricity by touching another metal object before handling the motherboard.
- Store the motherboard in an electrostatic shielding container or on an anti-static pad whenever the motherboard is not installed.
- Before turning on the computer, ensure that there are no loose screws or metal components on the motherboard or anywhere within the computer case.
- Do not boot the computer before installation is completed. This could cause permanent damage to the components as well as injury to the user.
- If you need help during any installation step, please consult a certified computer technician.
- Always turn off the power supply and unplug the power cord from the power outlet before installing or removing any computer component.
- Keep this user guide for future reference.
- Keep this motherboard away from humidity.
- Make sure that your electrical outlet provides the same voltage as is indicated on the PSU, before connecting the PSU to the electrical outlet.
- Place the power cord such a way that people can not step on it. Do not place anything over the power cord.
- All cautions and warnings on the motherboard should be noted.
- If any of the following situations arises, get the motherboard checked by service personnel:
 - Liquid has penetrated into the computer.
 - The motherboard has been exposed to moisture.
 - The motherboard does not work well or you can not get it work according to user guide.
 - The motherboard has been dropped and damaged.
 - The motherboard has obvious sign of breakage.
- Do not leave this motherboard in an environment above 60°C (140°F), it may damage the motherboard.

Specifications

CPU	<ul style="list-style-type: none"> • Supports Intel® Core™ X-Series Processor Family for LGA2066 Socket
Chipset	Intel® X299 Chipset
Memory	<ul style="list-style-type: none"> • 8x DDR4 memory slots, support up to 128GB* • Quad channel memory architecture with the CPU that supports up to 4-channels DDR4** <ul style="list-style-type: none"> ▪ X-series processor support DDR4 4133(OC)/ 4000(OC)/ 3866(OC)/ 3800(OC)/ 3733(OC)/ 3600(OC)/ 3466(OC)/ 3400(OC)/ 3333(OC)/ 3200(OC)/ 3000(OC)/ 2933(OC)/ 2800(OC)/ 2667/ 2400/ 2133 MHz* • Dual channel memory architecture with the CPU that supports up to 2-channels DDR4** <ul style="list-style-type: none"> ▪ X-series processor support DDR4 4500(OC)/ 4400(OC)/ 4333(OC)/ 4266(OC)/ 4200(OC)/ 4133(OC)/ 4000(OC)/ 3866(OC)/ 3800(OC)/ 3733(OC)/ 3600(OC)/ 3466(OC)/ 3400(OC)/ 3333(OC)/ 3200(OC)/ 3000(OC)/ 2933(OC)/ 2800(OC)/ 2667/ 2400/ 2133 MHz* • Supports Intel® Extreme Memory Profile (XMP) <p>* For the latest information about memory, please visit http://www.msi.com ** Please refer the DIMM Slots section for more details.</p>
Expansion Slots	<ul style="list-style-type: none"> • 4x PCIe 3.0 x16 slots <ul style="list-style-type: none"> ▪ Support x16/ x4*/ x16/ x8 mode with the 44-lane CPU. ▪ Support x16/ x4*/ x8/ x4 modes with the 28-lane CPU. ▪ Support x8/ x4*/ x8/ x0, x8/ x4*/ x4/ x4 modes with the 16-lane CPU. • 2x PCIe 3.0 x1 slots <p>* The PCI_E3 lanes are supported by PCH. Please refer to page 19 for PCIe slots bandwidth table.</p>
Multi-GPU	<ul style="list-style-type: none"> • Supports up to 3-Way AMD® CrossFire™ Technology • Supports up to 3-Way NVIDIA® SLI™ Technology
LAN	1x Intel I219-V Gigabit LAN controller
Wireless LAN & Bluetooth® (Optional)	<ul style="list-style-type: none"> • Intel® Dual Band Wireless-AC 8265 module <ul style="list-style-type: none"> ▪ The Wireless module is pre-install in the M2_3 (Key-E) slot. ▪ Supports Wi-Fi 802.11 a/b/g/n/ac, dual band (2.4GHz, 5GHz) up to 867 Mbps speed. ▪ Supports Dual Mode Bluetooth® 2.1, 2.1+EDR, 3.0, 4.0, BLE, 4.2

Continued on next page

Continued from previous page

Audio	<ul style="list-style-type: none"> • Realtek® ALC1220 Codec • 7.1-Channel High Definition Audio • Supports S/PDIF output
USB	<ul style="list-style-type: none"> • ASMedia® ASM3142 Chipset <ul style="list-style-type: none"> ▪ 1x USB 3.1 Gen2 (SuperSpeed USB 10Gbps) Type-A port on the back panel ▪ 2x USB 3.1 Gen2 (Super Speed USB 10Gbps) Type-C ports(1 port on the back panel, 1 port available through the internal USB connector) • ASMedia® ASM1074 Hub <ul style="list-style-type: none"> ▪ 3x USB 3.1 Gen1 (SuperSpeed USB) Type-A ports on the back panel • Intel® X299 Chipset <ul style="list-style-type: none"> ▪ 5x USB 3.1 Gen1 (SuperSpeed USB) ports (1 port on the back panel, 4 ports available through the internal USB connectors) ▪ 7x USB 2.0 (High-speed USB) ports (3 ports on the back panel, 4 ports available through the internal USB connectors)
Storage	<p>Intel® X299 Chipset</p> <ul style="list-style-type: none"> • 8x SATA 6Gb/s ports* • 2x M.2 slots (Key M)* <ul style="list-style-type: none"> ▪ Supports up to PCIe 3.0 x4 and SATA 6Gb/s ▪ M2_1 slot supports 2242/ 2260 /2280 storage devices ▪ M2_2 slot supports 2242/ 2260 /2280/ 22110 storage devices ▪ Intel Optane™ Memory Ready** • 1x U.2 port * <ul style="list-style-type: none"> ▪ Supports PCIe 3.0 x4 NVMe storage • Supports Intel® Smart Response Technology <p>* PCI_E3 slot, M.2 slots, U.2 port and SATA ports share the bandwidth. Please refer to page 23 for PCI_E3/ U.2/ M.2/ SATA Combination table .</p> <p>** Please refer the Intel Optane Memory Installation Guide on www.msi.com</p>

Continued on next page

Continued from previous page

RAID	<p>Intel® X299 Chipset</p> <ul style="list-style-type: none">• Supports RAID 0, RAID 1, RAID 5 and RAID 10 for SATA storage devices• Supports RAID 0 and RAID 1 for M.2 storage devices* <p>* M.2 PCIe RAID volume can be created with M.2/Optane Genie.</p>
Internal Connectors	<ul style="list-style-type: none">• 1x 24-pin ATX main power connector• 1x 8-pin ATX 12V power connector• 8x SATA 6Gb/s connectors• 3x M.2 slots (Key M x2, Key E x1)• 1x U.2 port• 2x USB 2.0 connectors (supports additional 4 USB 2.0 ports)• 2x USB 3.1 Gen1 connectors (supports additional 4 USB 3.1 Gen1 ports)• 1x USB 3.1 Gen2 Type-C port• 1x 4-pin CPU fan connector• 1x 4-pin Water Pump connector• 4x 4-pin system fan connectors• 1x Front panel audio connector• 2x Front panel connectors• 1x TPM module connector• 1x Chassis Intrusion connector• 1x Clear CMOS jumper• 1x Power button• 1x Reset button• 1x Multi-BIOS switch• 1x RGB LED connector• 1x Virtual RAID on CPU connector• 1x Thunderbolt Add-on Card Connector

Continued on next page

Continued from previous page

Back Panel Connectors	<ul style="list-style-type: none">• 1x Clear CMOS button• 1x BIOS Flash back button• 1x PS/2 keyboard/ mouse combo port• 3x USB 2.0 Type-A ports• 4x USB 3.1 Gen1 Type-A ports• 1x LAN (RJ45) port• 1x USB 3.1 Gen2 Type-A port• 1x USB 3.1 Gen2 Type-C port• 1x Optical S/PDIF OUT connector• 5x OFC audio jacks
I/O Controller	NUVOTON NCT6795 Controller Chip
Hardware Monitor	<ul style="list-style-type: none">• CPU/System temperature detection• CPU/System fan speed detection• CPU/System fan speed control
Form Factor	<ul style="list-style-type: none">• ATX Form Factor• 12 in. x 9.6 in. (30.5 cm x 24.4 cm)
BIOS Features	<ul style="list-style-type: none">• 2x 128 Mb flash• UEFI AMI BIOS• ACPI 6.0, PnP 1.0a, SM BIOS 3.0• Multi-language

Continued on next page

Continued from previous page

Software	<ul style="list-style-type: none">• Drivers• APP MANAGER• SUPER CHARGER• COMMAND CENTER• LIVE UPDATE 6• MSI SMART TOOL• DRAGON EYE• GAMING APP• X-BOOST• MYSTIC LIGHT• RAMDISK• GAMING LAN Manager• DPC Latency Tuner• FAST BOOT• Nahimic Audio• XSplit Gamecaster V2• Tridef VR & Smart Cam• SteelSeries Engine 3• WtFast*• CPU-Z MSI GAMING• Intel® Extreme Tuning Utility• Google Chrome™, Google Toolbar, Google Drive• Norton™ Internet Security Solution <p>* This offer is valid for a limited period only, for more information please visit www.msi.com</p>
MSI Special Features	<ul style="list-style-type: none">• Audio Boost 4• Nahimic 2• GAMING LAN with Gaming LAN Manager• Turbo U.2• Twin Turbo M.2• Pump Fan• Smart Fan Control

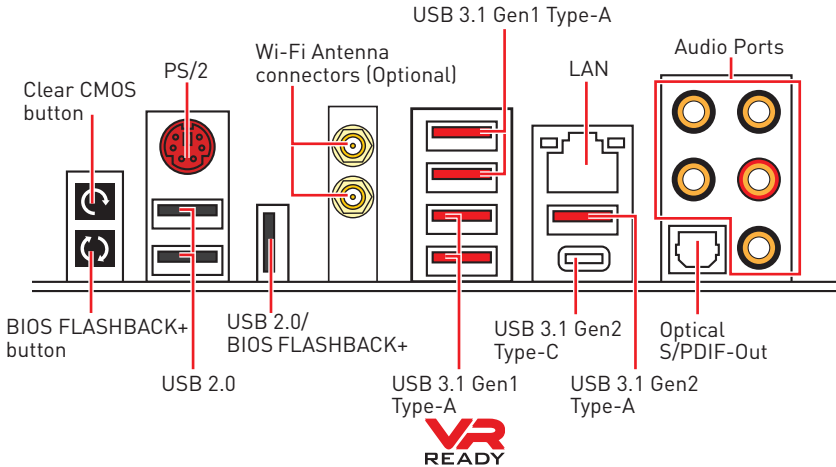
Continued on next page

Continued from previous page

**MSI Special
Features**

- Mystic Light
- Mystic Light Extension
- Gaming DNA with bottom LED
- Mystic light SYNC
- EZ DEBUG LED
- M.2 Shield FROZR
- PCI-E Steel Armor
- U.2 Steel Armor
- VR Cover
- Muilt GPU - SLI Technology
- Muilt GPU - CrossFire Technology
- DDR4 Boost
- OC Engine (Clock gen)
- USB with type A+C
- Lightning USB with ASM3142
- Front Lightning USB 3.1 Gen type C
- Military Class 6
- 7000+ Quality Test
- VR Boost
- VR Ready
- Intel WiFi (optional)
- GAMING HOTKEY
- GAMING MOUSE Control
- Click BIOS 5
- BIOS FLASHBACK+
- Dual BIOS
- Quadro SLI Ready
- Quadro Ready
- GAMING Certified
- SteelSeries Certified

Rear I/O Panel



- **Clear CMOS button** - Power off your computer. Press and hold the Clear CMOS button for about 5-10 seconds to reset BIOS to default values.
- **BIOS FLASHBACK+ port/ button** - Please refer to page 42 for Updating BIOS with BIOS FLASHBACK+.

LAN Port LED Status Table

Link/ Activity LED			Speed LED	
Status	Description		Status	Description
Off	No link	Off	10 Mbps connection	
Yellow	Linked	Green	100 Mbps connection	
Blinking	Data activity	Orange	1 Gbps connection	

Audio Ports Configuration

Audio Ports	Channel			
	2	4	6	8
Center/ Subwoofer Out			●	●
Rear Speaker Out		●	●	●
Line-In/ Side Speaker Out				●
Line-Out/ Front Speaker Out	●	●	●	●
Mic In				

(●: connected, **Blank**: empty)

Realtek HD Audio Manager

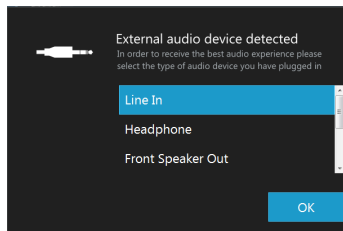
After installing the **Realtek HD Audio** driver, the **Realtek HD Audio Manager** icon will appear in the system tray. Double click on the icon to launch.



- **Device Selection** - allows you to select a audio output source to change the related options. The **check** sign indicates the devices as default.
- **Application Enhancement** - the array of options will provide you a complete guidance of anticipated sound effect for both output and input device.
- **Main Volume** - controls the volume or balance the right/left side of the speakers that you plugged in front or rear panel by adjust the bar.
- **Profiles** - toggles between profiles.
- **Advanced Settings** - provides the mechanism to deal with 2 independent audio streams.
- **Jack Status** - depicts all render and capture devices currently connected with your computer.
- **Connector Settings** - configures the connection settings.

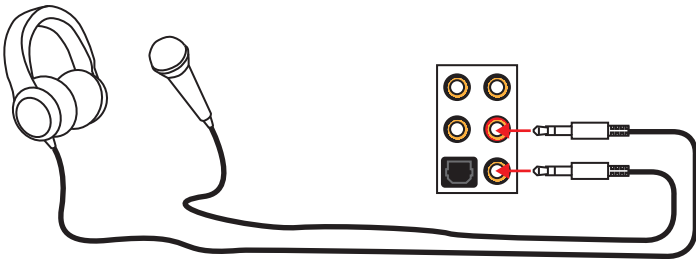
Auto popup dialog

When you plug into a device at an audio jack, a dialogue window will pop up asking you which device is current connected.

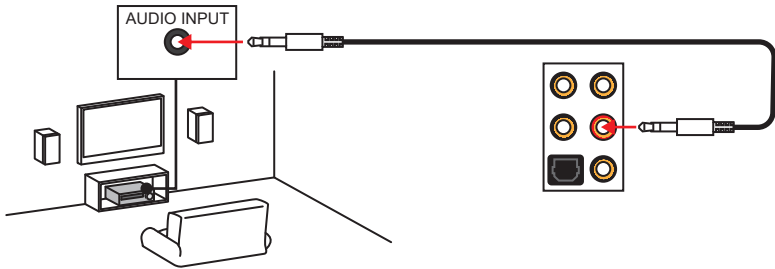


Each jack corresponds to its default setting as shown on the next page.

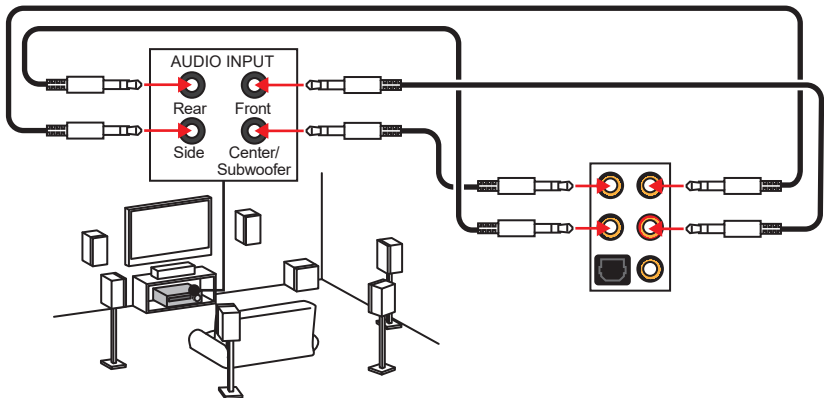
Audio jacks to headphone and microphone diagram



Audio jacks to stereo speakers diagram

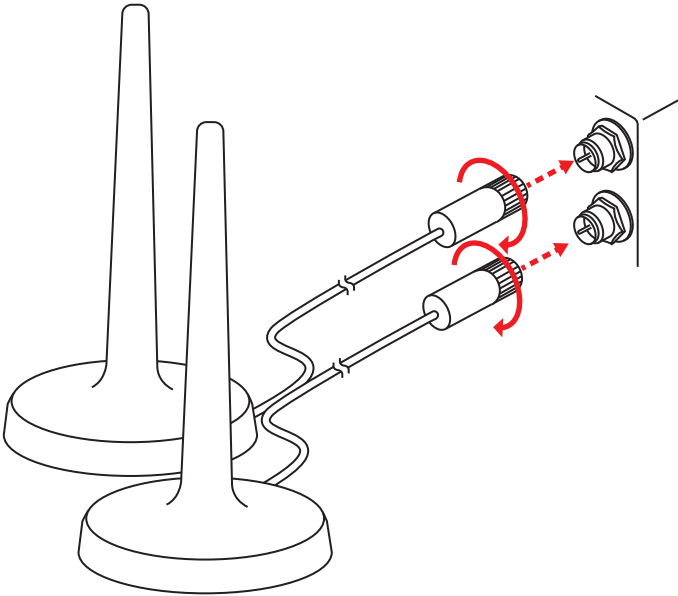


Audio jacks to 7.1-channel speakers diagram

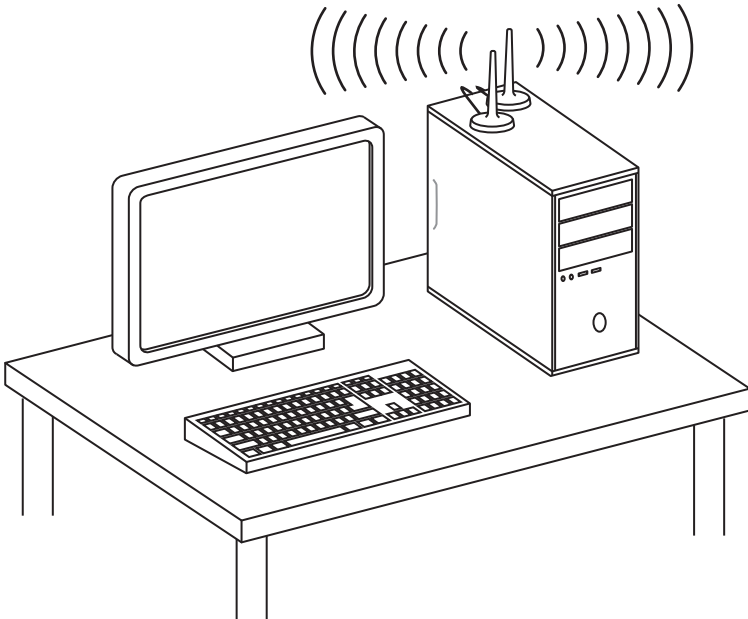


Installing Antennas (Optional)

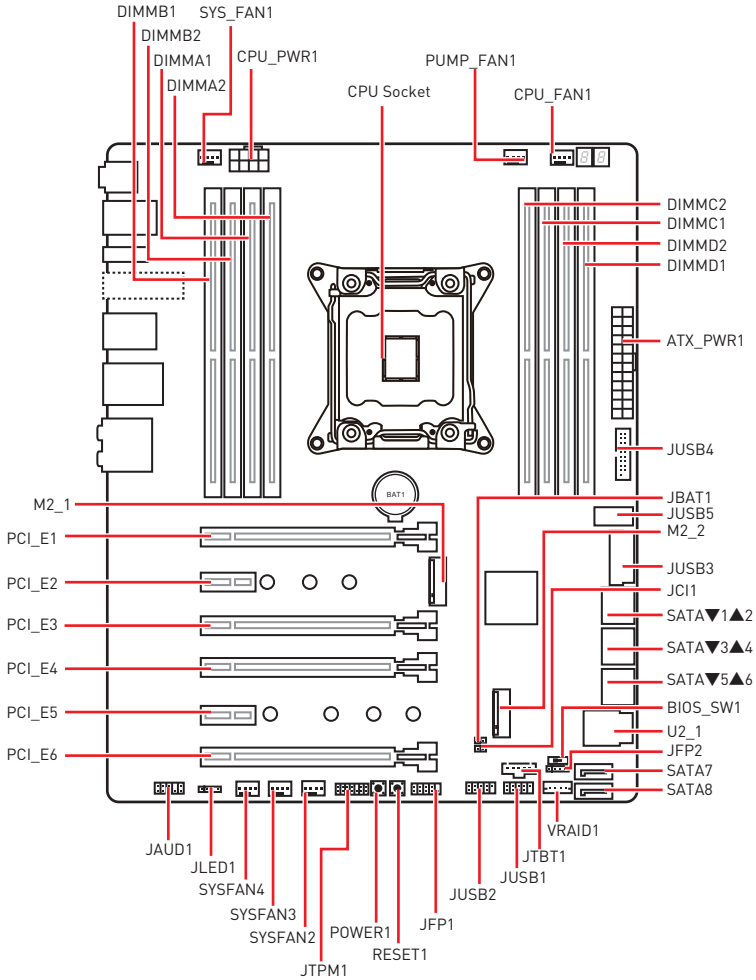
1. Screw the antennas tight to the Wi-Fi antenna connectors as shown.



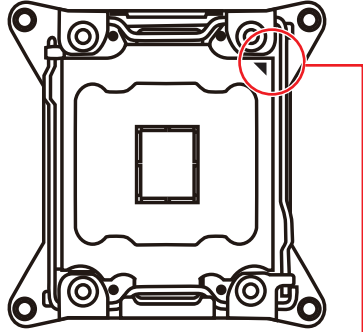
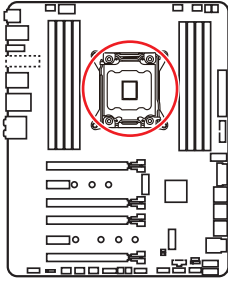
2. Place the antennas as high as possible.



Overview of Components

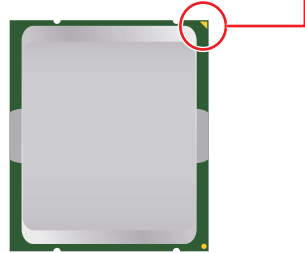


CPU Socket



Introduction to the LGA 2066 CPU

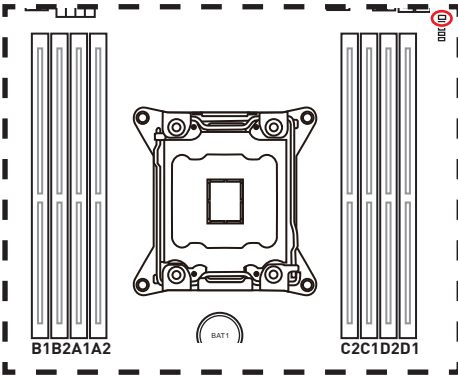
The surface of the LGA2066 CPU has four alignment keys and a yellow triangle to assist in correctly lining up the CPU for motherboard placement. The yellow triangle is the Pin 1 indicator.



Important

- Always unplug the power cord from the power outlet before installing or removing the CPU.
- Please retain the CPU protective cap after installing the processor. MSI will deal with Return Merchandise Authorization (RMA) requests if only the motherboard comes with the protective cap on the CPU socket.
- When installing a CPU, always remember to install a CPU heatsink. A CPU heatsink is necessary to prevent overheating and maintain system stability.
- Confirm that the CPU heatsink has formed a tight seal with the CPU before booting your system.
- Overheating can seriously damage the CPU and motherboard. Always make sure the cooling fans work properly to protect the CPU from overheating. Be sure to apply an even layer of thermal paste (or thermal tape) between the CPU and the heatsink to enhance heat dissipation.
- Whenever the CPU is not installed, always protect the CPU socket pins by covering the socket with the plastic cap.
- If you purchased a separate CPU and heatsink/ cooler, Please refer to the documentation in the heatsink/ cooler package for more details about installation.
- This motherboard is designed to support overclocking. Before attempting to overclock, please make sure that all other system components can tolerate overclocking. Any attempt to operate beyond product specifications is not recommended. MSI® does not guarantee the damages or risks caused by inadequate operation beyond product specifications.

DIMM Slots

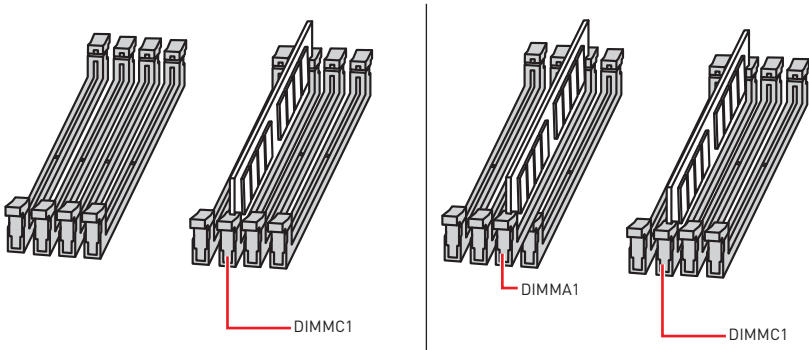


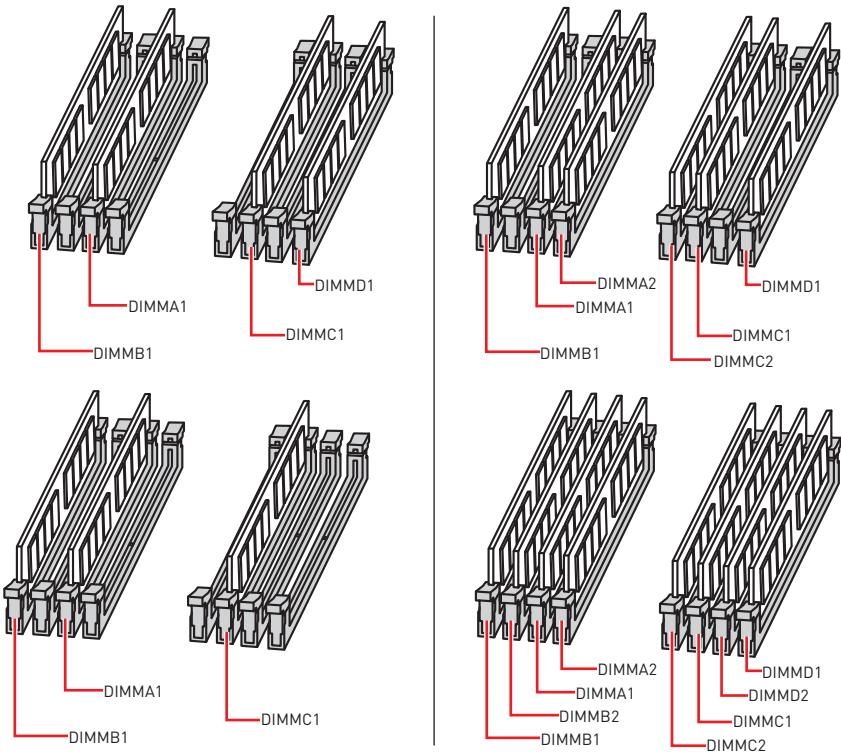
S/K LED : S/K LED indicates that the installed CPU supports either 4-channels or 2-channels memory architecture.

- Red = 8 DIMMs support (4-channels architecture CPU)
- White = 4 DIMMs support (2-channels architecture CPU)

Memory module installation recommendation (4-Channels architecture CPU)

	B1	B2	A1	A2	Intel Core X-series CPU	C2	C1	D2	D1
1 DIMM					Supports 4-channels memory architecture		✓		
2 DIMMs			✓				✓		
3 DIMMs	✓		✓				✓		
4 DIMMs	✓		✓				✓		✓
5 DIMMs	✓		✓			✓	✓		✓
6 DIMMs	✓		✓	✓		✓	✓		✓
7 DIMMs	✓	✓	✓	✓		✓	✓		✓
8 DIMMs	✓	✓	✓	✓		✓	✓	✓	✓





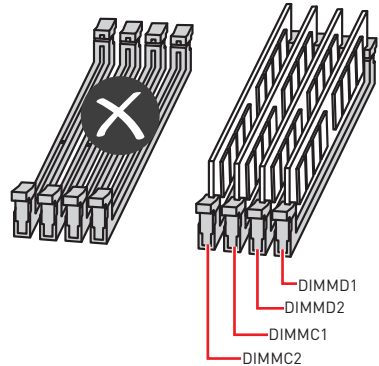
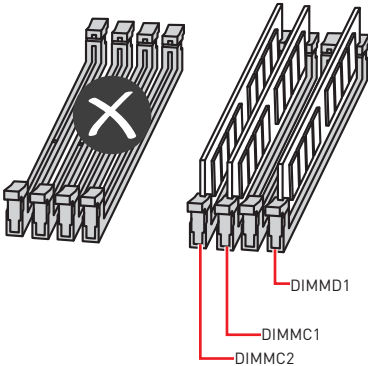
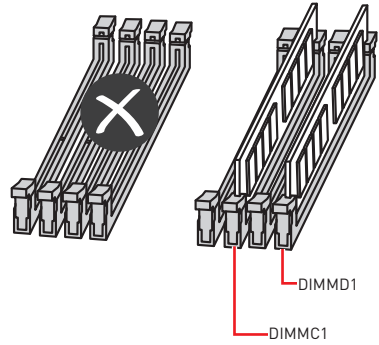
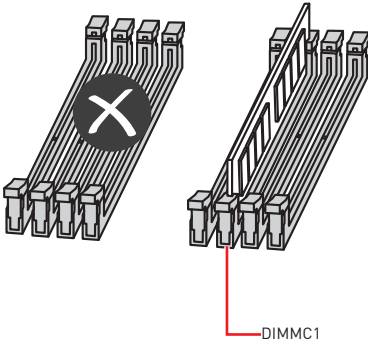
Important

- Always insert a memory module in the **DIMMC1** slot first.
- To ensure system stability for Dual/ Triple/ Quad channel mode, memory modules must be of the same type, number and density. And for every channel, the odd number DIMM slot must be installed first.
- Due to chipset resource usage, the available capacity of memory will be a little less than the amount of installed.
- Based on Intel CPU specification, the Memory DIMM voltage below 1.35V is suggested to protect the CPU.
- Please note that the maximum capacity of addressable memory is 4GB or less for 32-bit Windows OS due to the memory address limitation. Therefore, we recommended that you to install 64-bit Windows OS if you want to install more than 4GB memory on the motherboard.
- Some memory may operate at a lower frequency than the marked value when overclocking due to the memory frequency operates dependent on its Serial Presence Detect (SPD).
- It is recommended to use a more efficient memory cooling system for full DIMMs installation or overclocking.
- The stability and compatibility of installed memory modules depend on installed CPU and devices when overclocking.

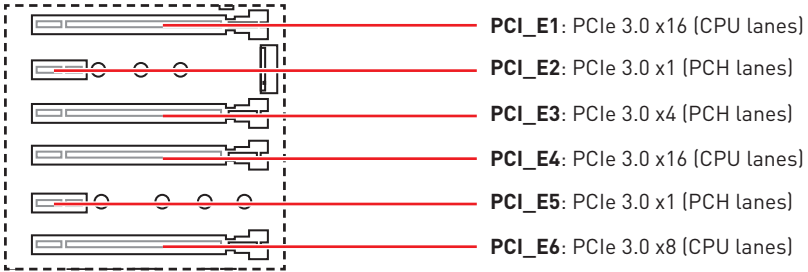
Memory module installation recommendation (2-Channels architecture CPU)

	B1	B2	A1	A2	Intel Core X-series CPU	C2	C1	D2	D1
1 DIMM					Supports 2-channels memory architecture		✓		
2 DIMMs							✓		✓
3 DIMMs						✓	✓		✓
4 DIMMs						✓	✓	✓	✓

DIMMB1, B2, A1 and A2 are un-available



PCI_E1~6: PCIe Expansion Slots



PCIe slots bandwidth table

for 44-lane CPU

Graphics Card	Single	2-Way*	2-Way	3-Way
PCI_E1	@ 3.0 x16	@ 3.0 x16	@ 3.0 x16	@ 3.0 x16
PCI_E2	3.0 x1	3.0 x1	3.0 x1	3.0 x1
PCI_E3	3.0 x4	3.0 x4	3.0 x4	3.0 x4
PCI_E4	3.0 x16	@ 3.0 x16	3.0 x16	@ 3.0 x16
PCI_E5	3.0 x1	3.0 x1	3.0 x1	3.0 x1
PCI_E6	3.0 x8	3.0 x8	@ 3.0 x8	@ 3.0 x8

(@: graphics card slot, *: best combination)

for 28-lane CPU

Graphics Card	Single	2-Way	3-Way CF
PCI_E1	@ 3.0 x16	@ 3.0 x16	@ 3.0 x16
PCI_E2	3.0 x1	3.0 x1	3.0 x1
PCI_E3	3.0 x4	3.0 x4	3.0 x4
PCI_E4	3.0 x8	@ 3.0 x8	@ 3.0 x8
PCI_E5	3.0 x1	3.0 x1	3.0 x1
PCI_E6	3.0 x4	3.0 x4	@ 3.0 x4

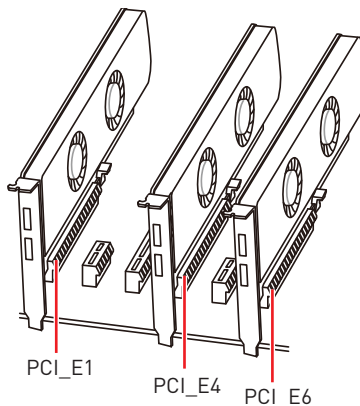
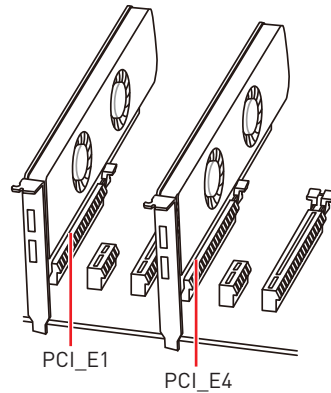
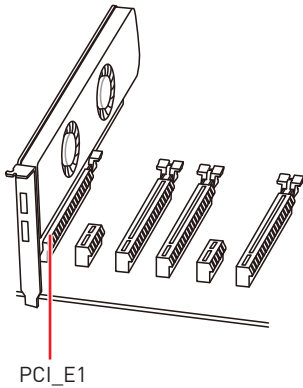
(@: graphics card slot, CF: CrossFire only)

for 16-lane CPU

Graphics Card	Single		2-Way	3-Way CF
PCI_E1	@ 3.0 x8		@ 3.0 x8	@ 3.0 x8
PCI_E2	3.0 x1		3.0 x1	3.0 x1
PCI_E3	3.0 x4		3.0 x4	3.0 x4
PCI_E4	3.0 x8	3.0 x4	@ 3.0 x8	@ 3.0 x4
PCI_E5	3.0 x1		3.0 x1	3.0 x1
PCI_E6	empty	3.0 x4	—	@ 3.0 x4

(@: graphics card slot, —: unavailable, CF: CrossFire only)

Multiple graphics cards installation recommendation

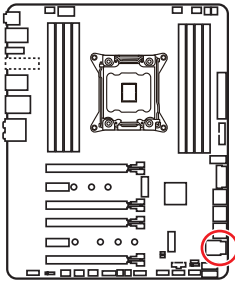


Important

- For a single PCIe x16 expansion card installation with optimum performance, using the **PCI_E1** slot is recommended.
- If you install a large and heavy graphics card, you need to use a tool such as **MSI Gaming Series Graphics Card Bolster** to support its weight and to prevent deformation of the slot.
- When adding or removing expansion cards, always turn off the power supply and unplug the power supply power cable from the power outlet. Read the expansion card's documentation to check for any necessary additional hardware or software changes.

U2_1: U.2 Connector

This connector is a U.2 interface port. Each connector can connect to one PCIe 3.0 x4 NVMe storage device.

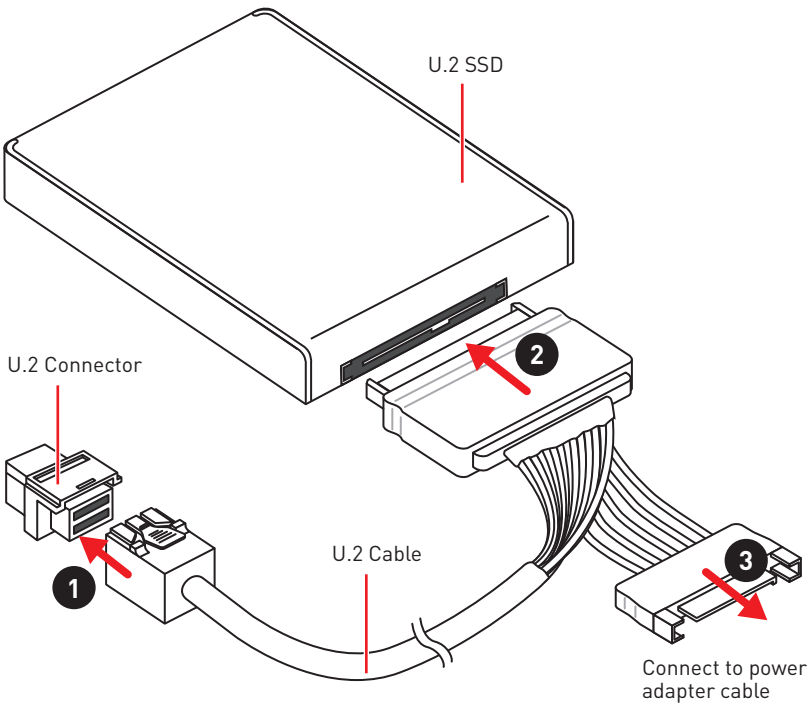


Video Demonstration

Watch the video to learn how to Install U.2 SSD. <http://youtu.be/KgFvKDxymvw>

Installing U.2 SSD

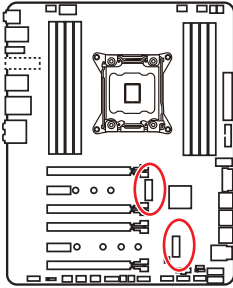
1. Connect the U.2 cable to the U.2 connector on the motherboard.
2. Connect the U.2 cable to the U.2 SSD.
3. Connect the U.2 cable to power adapter cable.



Important

The U.2 port will be unavailable when an PCIe device has been installed in PCI_E3 slot.

M2_1~2: M.2 Slots (Key M)



Important

- Intel® RST only supports PCIe M.2 SSD with UEFI ROM.
- Intel® Optane™ Memory Ready for all M.2 slots.



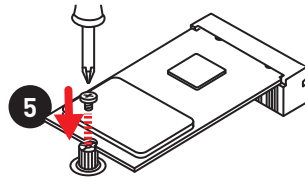
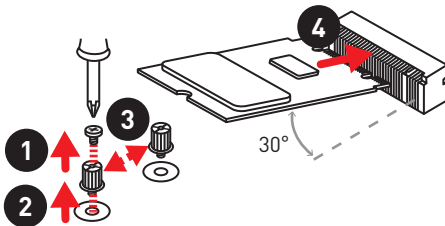
Video Demonstration

Watch the video to learn how to Install M.2 module.

<http://youtu.be/JCTFABytrYA>

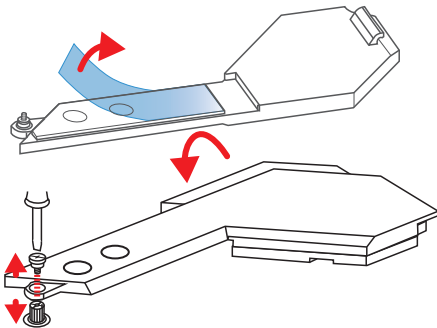
Installing M.2 module

1. Remove the screw from the base screw.
2. Remove the base screw.
3. Tighten the base screw into the hole of the distance to the M.2 slot as the length your M.2 module.
4. Insert your M.2 module into the M.2 slot at a 30-degree angle.
5. Put the screw in the notch on the trailing edge of your M.2 module and tighten it into the base screw.



Using M.2 FROZR

We provide the M.2 FROZR on the M2_1 slot to help dissipate heat away from the M.2 module. Before installing the M.2 module for the first time, you need to remove the screw, take the cover and remove the protective film from the thermal pad.

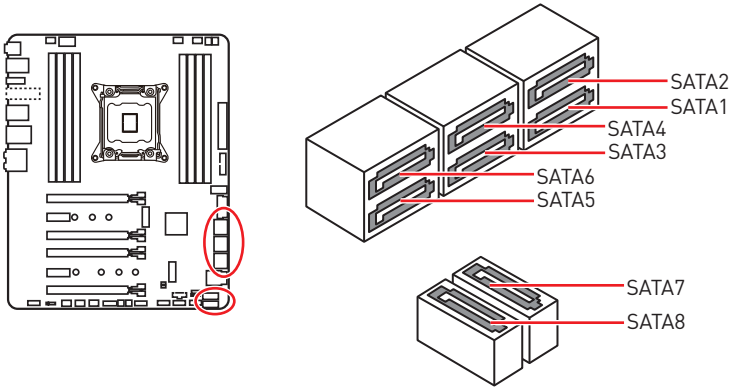


Important

If you don't need the M.2 FROZR, you can remove it.

SATA1~8: SATA 6Gb/s Connectors

These connectors are SATA 6Gb/s interface ports. Each connector can connect to one SATA device.



Important

- Please do not fold the SATA cable at a 90-degree angle. Data loss may result during transmission otherwise.
- SATA cables have identical plugs on either sides of the cable. However, it is recommended that the flat connector be connected to the motherboard for space saving purposes.

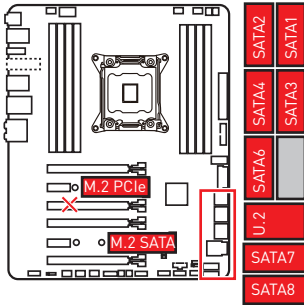
PCI_E3/ U.2/ M.2/ SATA Combination table

Slot	Combination							
	✓	Empty	✓	Empty	✓	Empty	✓	Empty
PCI_E3	✓	Empty	✓	Empty	✓	Empty	✓	Empty
U2_1	—	✓	—	✓	—	✓	—	✓
M2_1	PCIe		SATA		SATA		PCIe	
M2_2	PCIe		SATA		PCIe		SATA	
SATA1	✓	—	—	—	—	—	—	✓
SATA2	✓	—	✓	—	✓	—	✓	—
SATA3	✓	—	✓	—	✓	—	✓	—
SATA4	✓	—	✓	—	✓	—	✓	—
SATA5	—	—	—	—	—	—	—	—
SATA6	—	—	✓	—	—	—	—	✓
SATA7	—	—	✓	—	—	—	—	✓
SATA8	—	—	✓	—	—	—	—	✓

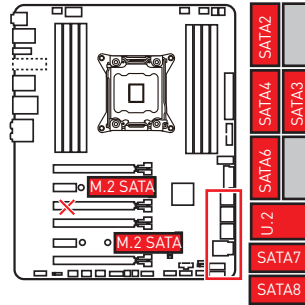
(SATA: M.2 SATA SSD, PCIe: M.2 PCIe SSD, ✓: available, —: unavailable)

M.2 slots with examples of various combination possibilities

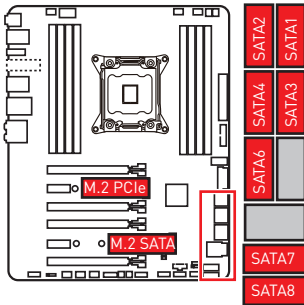
1xU.2+ 1xM.2 PCIe+ 1xM.2 SATA+ 7xSATA



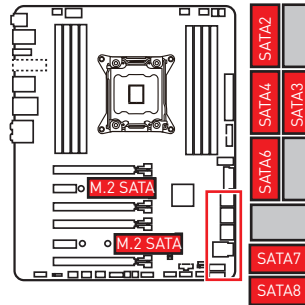
1xU.2+ 2xM.2 SATA+ 6xSATA



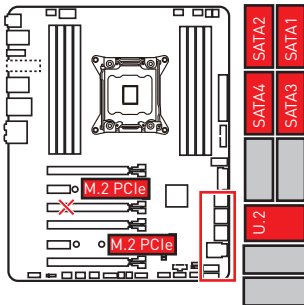
1xM.2 PCIe+ 1xM.2 SATA+ 7xSATA



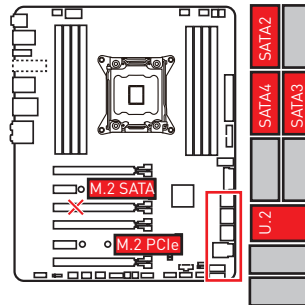
2xM.2 SATA+ 6xSATA



1xU.2+ 2xM.2 PCIe+ 4xSATA

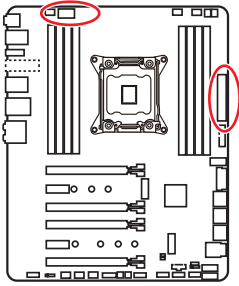


1xU.2+ 1xM.2 SATA+ 1xM.2 PCIe+ 3xSATA



CPU_PWR1, ATX_PWR1: Power Connectors

These connectors allow you to connect an ATX power supply.



1	Ground	5	+12V
2	Ground	6	+12V
3	Ground	7	+12V
4	Ground	8	+12V

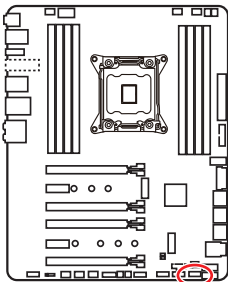
1	+3.3V	13	+3.3V
2	+3.3V	14	-12V
3	Ground	15	Ground
4	+5V	16	PS-ON#
5	Ground	17	Ground
6	+5V	18	Ground
7	Ground	19	Ground
8	PWR OK	20	Res
9	5VSB	21	+5V
10	+12V	22	+5V
11	+12V	23	+5V
12	+3.3V	24	Ground

Important

Make sure that all the power cables are securely connected to a proper ATX power supply to ensure stable operation of the motherboard.

VRAID1: Virtual RAID on CPU Connector

This connector allows you to connect a VROC (Virtual RAID on CPU) Key module. You need to enable the VROC function with Intel® RSTe (Intel® Rapid Storage Technology enterprise) driver.



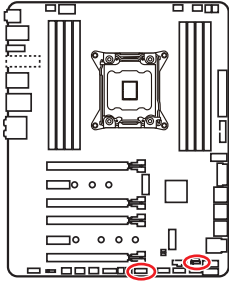
1	Ground	2	VCC3
3	Ground	4	SATA_RAID_KEY

Important

The VROC key module is purchased separately.

JFP1, JFP2: Front Panel Connectors

These connectors connect to the switches and LEDs on the front panel.

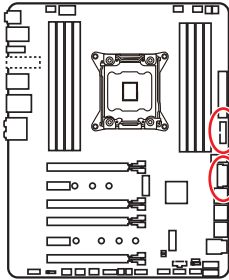


1	HDD LED +	2	Power LED +
3	HDD LED -	4	Power LED -
5	Reset Switch	6	Power Switch
7	Reset Switch	8	Power Switch
9	Reserved	10	No Pin

1	Speaker -	2	Buzzer +
3	Buzzer -	4	Speaker +

JUSB3, JUSB4: USB 3.1 Gen1 Connectors

These connectors allow you to connect USB 3.1 Gen1 ports on the front panel.



1	Power	11	USB2.0+
2	USB3_RX_DN	12	USB2.0-
3	USB3_RX_DP	13	Ground
4	Ground	14	USB3_TX_C_DN
5	USB3_TX_C_DN	15	USB3_TX_C_DN
6	USB3_TX_C_DP	16	Ground
7	Ground	17	USB3_RX_DP
8	USB2.0-	18	USB3_RX_DN
9	USB2.0+	19	Power
10	NC	20	No Pin



Important

Note that the Power and Ground pins must be connected correctly to avoid possible damage.

Charger Port

The **JUSB4** connector is a charger port which can increase USB power output for fast charging your smartphone or USB-powered devices. The Charger Port is hardware controlled by motherboard chip, it can still charge your device in suspend, hibernate state or even shutdown states. However, when you boot the computer into Windows®, you will need to install the MSI® SUPER CHARGER application to turn ON/OFF the Charging mode.



Video Demonstration

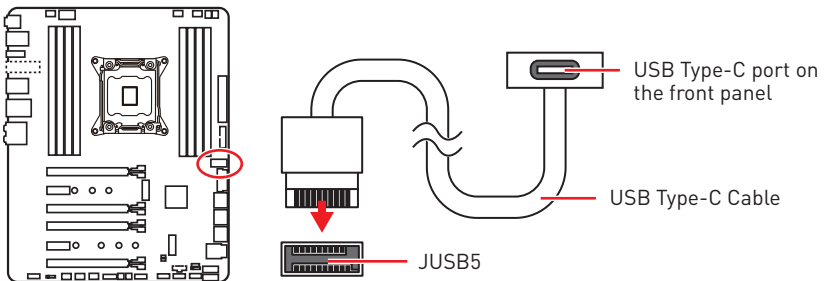
Watch the video to learn how to charge the smartphone with Super-Charger. <http://youtu.be/FCyvr5Nb0w>

Important

When the Charging mode is enabled, the Charger Port data syncing will be disabled.

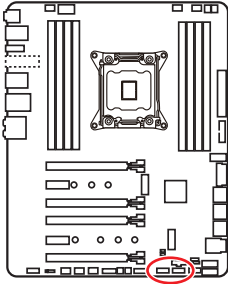
JUSB5: USB 3.1 Gen2 Type-C Connector

This connector allows you to connect USB 3.1 Gen2 Type-C connector on the front panel. The connector possesses a foolproof design. When you connect the cable, be sure to connect it with the corresponding orientation.



JUSB1~2: USB 2.0 Connectors

These connectors allow you to connect USB 2.0 ports on the front panel.



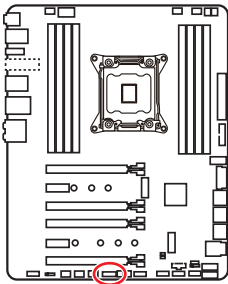
1	VCC	2	VCC
3	USB0-	4	USB1-
5	USB0+	6	USB1+
7	Ground	8	Ground
9	No Pin	10	NC

Important

- Note that the VCC and Ground pins must be connected correctly to avoid possible damage.
- In order to recharge your iPad, iPhone and iPod through USB ports, please install MSI® SUPER CHARGER utility.

JTPM1: TPM Module Connector

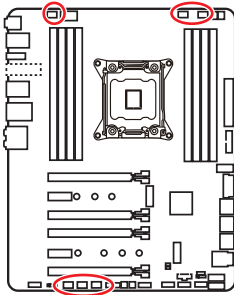
This connector is for TPM (Trusted Platform Module). Please refer to the TPM security platform manual for more details and usages.



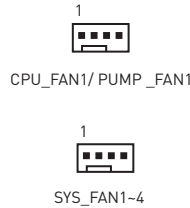
1	LPC Clock	2	3V Standby power
3	LPC Reset	4	3.3V Power
5	LPC address & data pin0	6	Serial IRQ
7	LPC address & data pin1	8	5V Power
9	LPC address & data pin2	10	No Pin
11	LPC address & data pin3	12	Ground
13	LPC Frame	14	Ground

CPU_FAN1, PUMP_FAN1, SYS_FAN1~4: Fan Connectors

Fan connectors can be classified as PWM (Pulse Width Modulation) Mode or DC Mode. PWM Mode fan connectors provide constant 12V output and adjust fan speed with speed control signal. DC Mode fan connectors control fan speed by changing voltage. When you plug a 3-pin (Non-PWM) fan to a fan connector in PWM mode, the fan speed will always maintain at 100%, which might create a lot of noise. You can follow the instruction below to adjust the fan connector to PWM or DC Mode.



Auto-detection Mode fan connectors



Important

You can switch between PWM mode and DC mode and adjust fan speed in **BIOS > HARDWARE MONITOR**. And please make sure fans are working properly after switching the PWM/ DC mode.

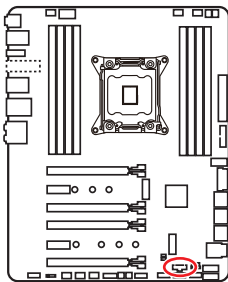
Pin definition of fan connectors


PWM Mode pin definition			
1	Ground	2	+12V
3	Sense	4	Speed Control Signal

DC Mode pin definition			
1	Ground	2	Voltage Control
3	Sense	4	NC

JTBT1: Thunderbolt Add-on Card Connector

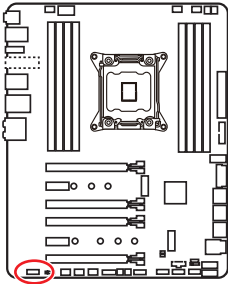
This connector allows you to connect the add-on Thunderbolt I/O card.



			
1	FORCE_PWR	2	SCI_EVENT
3	SLP_S3#	4	SLP_S5#
5	Ground		

JAUD1: Front Audio Connector

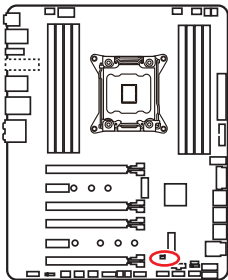
This connector allows you to connect audio jacks on the front panel.



1	MIC L	2	Ground
3	MIC R	4	NC
5	Head Phone R	6	MIC Detection
7	SENSE_SEND	8	No Pin
9	Head Phone L	10	Head Phone Detection

JCI1: Chassis Intrusion Connector

This connector allows you to connect the chassis intrusion switch cable.



Normal
(default)



Trigger the chassis
intrusion event

Using chassis intrusion detector

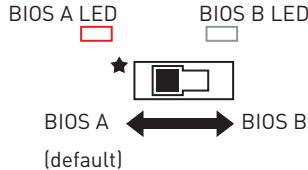
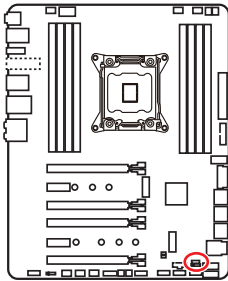
1. Connect the **JCI1** connector to the chassis intrusion switch/ sensor on the chassis.
2. Close the chassis cover.
3. Go to **BIOS > SETTINGS > Security > Chassis Intrusion Configuration**.
4. Set **Chassis Intrusion** to **Enabled**.
5. Press **F10** to save and exit and then press the **Enter** key to select **Yes**.
6. Once the chassis cover is opened again, a warning message will be displayed on screen when the computer is turned on.

Resetting the chassis intrusion warning

1. Go to **BIOS > SETTINGS > Security > Chassis Intrusion Configuration**.
2. Set **Chassis Intrusion** to **Reset**.
3. Press **F10** to save and exit and then press the **Enter** key to select **Yes**.

BIOS_SW1: Multi-BIOS Switch

This motherboard has two built-in BIOS ROMs (Labeled A and B, default BIOS ROM is A). If one is crashed, you can shift to the other for booting by sliding the switch.



Recovering BIOS

When BIOS updating fails or causes the computer non-bootable, you can recover the failed BIOS by the steps below. Before recovering, please download the latest BIOS file that matches your motherboard model from MSI website. And then save the BIOS file to the root of the USB flash drive.

1. Power off the computer.
2. Switch to the normal BIOS ROM with **Multi-BIOS switch**.
3. Insert the USB flash drive into the computer.
4. Power on the computer and press Del key to enter BIOS setup during POST.
5. Select the **M-FLASH** tab and click on **Yes** to reboot the system and enter the flash mode.
6. Select a BIOS file to perform the BIOS recovering process.
7. Switch to the failed BIOS ROM with **Multi-BIOS switch**, and click on **Yes** to start recovering BIOS.
8. After the recovering process is completed, the system will reboot automatically.

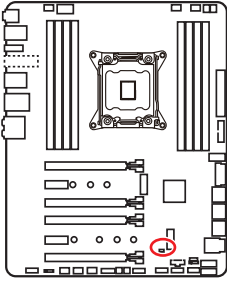


Important

- Do not use the Multi-BIOS switch when system is booting up.
- You can also use the **LIVE UPDATE** or **BIOS FLASHBACK+** utility to flash BIOS. Please refer to BIOS section for details.

JBAT1: Clear CMOS (Reset BIOS) Jumper

There is CMOS memory onboard that is external powered from a battery located on the motherboard to save system configuration data. If you want to clear the system configuration, set the jumper to clear the CMOS memory.



Keep Data
(default)



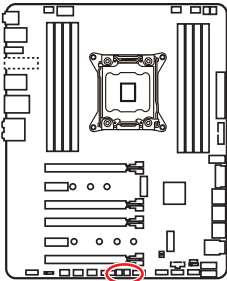
Clear CMOS/
Reset BIOS

Resetting BIOS to default values

1. Power off the computer and unplug the power cord
2. Use a jumper cap to short JBAT1 for about 5-10 seconds.
3. Remove the jumper cap from JBAT1.
4. Plug the power cord and power on the computer.

POWER1, RESET1: Power Button, Reset Button

The Power / Reset button allows you to power on / reset the computer.



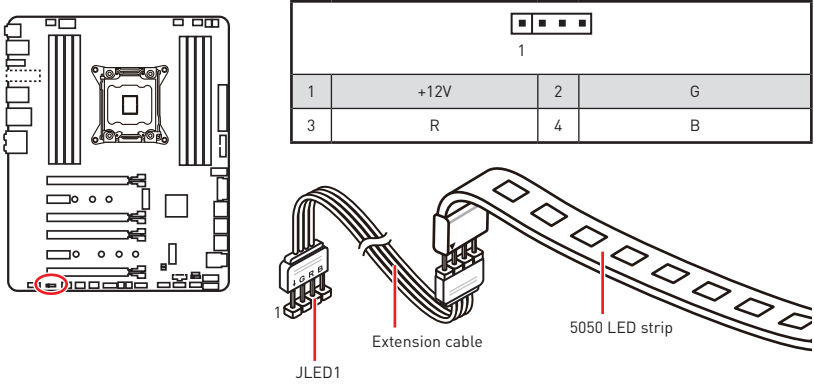
Power button



Reset button

JLED1: RGB LED connector

These connectors allow you to connect the 5050 RGB LED strips.



Video Demonstration

Watch the video to learn how to install 5050 RGB LED strips to RGB LED connector.

<https://youtu.be/CqNHyADzd2Q>

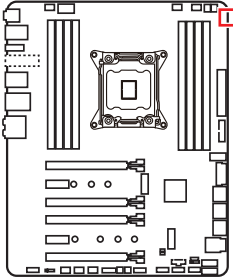
Important

- This connector supports 5050 RGB multi-color LED strips (12V/G/R/B) with the maximum power rating of 3A (12V). Please keeping the LED strip shorter than 2 meters to prevent dimming.
- Always turn off the power supply and unplug the power cord from the power outlet before installing or removing the RGB LED strip.
- Please use MSI's software to control the extended LED strip.

Onboard LEDs

EZ Debug LEDs

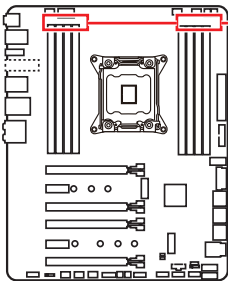
These LEDs indicate the status of key components during booting process. When an error is occurred, the corresponding LED stays lit until the problem is solved.



- CPU** - indicates CPU is not detected or fail.
- DRAM** - indicates DRAM is not detected or fail.
- VGA** - indicates GPU is not detected or fail.
- BOOT** - indicates the booting device is not detected or fail.

DIMM LEDs

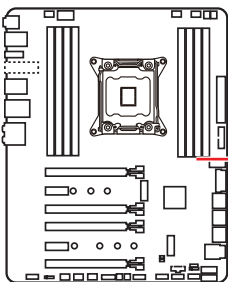
These LED indicate the memory modules are installed.



DIMM LEDs

XMP LED

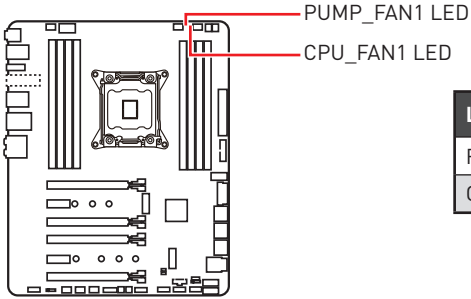
This LED indicates the XMP (Extreme Memory Profile) mode is enabled.



XMP LED

Fan LEDs

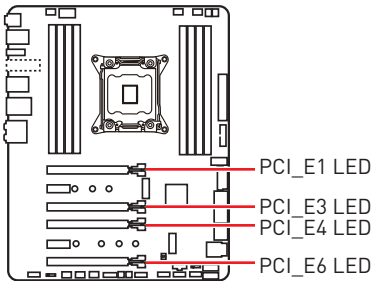
These LEDs indicate the fan control mode.



LED Color	Fan control mode
Red	PWM mode
Green	DC mode

PCIe x16 slot LEDs

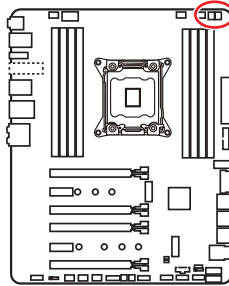
These LED indicate the PCIe x16 slots status.



LED Color	PCIe slot speed status
Red	x16
White	x8, x4, x1

Debug Code LED

The Debug Code LED displays progress and error codes during and after POST. Refer to the Debug Code LED table for details.



Hexadecimal Character Table

Hexadecimal	0	1	2	3	4	5	6	7	8	9	A	B	C	D	E	F
Debug Code LED display	0	1	2	3	4	5	6	7	8	9	A	B	C	D	E	F

Boot Phases

Security (SEC) – initial low-level initialization

Pre-EFI Initialization (PEI) – memory initialization

Driver Execution Environment (DXE) – main hardware initialization

Boot Device Selection (BDS) – system setup, pre-OS user interface & selecting a bootable device (CD/DVD, HDD, USB, Network, Shell, ...)

Debug Code LED Table

SEC Progress Codes

01	Power on. Reset type detection (soft/hard)
02	AP initialization before microcode loading
03	System Agent initialization before microcode loading
04	PCH initialization before microcode loading
06	Microcode loading
07	AP initialization after microcode loading
08	System Agent initialization after microcode loading
09	PCH initialization after microcode loading
0B	Cache initialization

SEC Error Codes

0C - 0D	Reserved for future AMI SEC error codes
0E	Microcode not found
0F	Microcode not loaded

PEI Progress Codes

10	PEI Core is started
11	Pre-memory CPU initialization is started
12 - 14	Pre-memory CPU initialization (CPU module specific)
15	Pre-memory System Agent initialization is started
16 - 18	Pre-Memory System Agent initialization (System Agent module specific)
19	Pre-memory PCH initialization is started
1A - 1C	Pre-memory PCH initialization (PCH module specific)
2B	Memory initialization. Serial Presence Detect (SPD) data reading

2C	Memory initialization. Memory presence detection
2D	Memory initialization. Programming memory timing information
2E	Memory initialization. Configuring memory
2F	Memory initialization [other]
31	Memory Installed
32	CPU post-memory initialization is started
33	CPU post-memory initialization. Cache initialization
34	CPU post-memory initialization. Application Processor(s) [AP] initialization
35	CPU post-memory initialization. Boot Strap Processor [BSP] selection
36	CPU post-memory initialization. System Management Mode [SMM] initialization
37	Post-Memory System Agent initialization is started
38 - 3A	Post-Memory System Agent initialization [System Agent module specific]
3B	Post-Memory PCH initialization is started
3C - 3E	Post-Memory PCH initialization [PCH module specific]
4F	DXE IPL is started

PEI Error Codes

50	Memory initialization error. Invalid memory type or incompatible memory speed
51	Memory initialization error. SPD reading has failed
52	Memory initialization error. Invalid memory size or memory modules do not match
53	Memory initialization error. No usable memory detected
54	Unspecified memory initialization error
55	Memory not installed
56	Invalid CPU type or Speed
57	CPU mismatch
58	CPU self test failed or possible CPU cache error
59	CPU micro-code is not found or micro-code update is failed
5A	Internal CPU error
5B	Reset PPI is not available
5C - 5F	Reserved for future AMI error codes

DXE Progress Codes

60	DXE Core is started
61	NVRAM initialization
62	Installation of the PCH Runtime Services
63	CPU DXE initialization is started
64 - 67	CPU DXE initialization [CPU module specific]
68	PCI host bridge initialization
69	System Agent DXE initialization is started
6A	System Agent DXE SMM initialization is started
6B - 6F	System Agent DXE initialization [System Agent module specific]
70	PCH DXE initialization is started
71	PCH DXE SMM initialization is started
72	PCH devices initialization
73 - 77	PCH DXE Initialization [PCH module specific]
78	ACPI module initialization
79	CSM initialization
7A - 7F	Reserved for future AMI DXE codes
90	Boot Device Selection [BDS] phase is started
91	Driver connecting is started
92	PCI Bus initialization is started
93	PCI Bus Hot Plug Controller Initialization
94	PCI Bus Enumeration 32
95	PCI Bus Request Resources
96	PCI Bus Assign Resources
97	Console Output devices connect
98	Console input devices connect
99	Super IO Initialization
9A	USB initialization is started
9B	USB Reset
9C	USB Detect
9D	USB Enable
9E - 9F	Reserved for future AMI codes
A0	IDE initialization is started
A1	IDE Reset
A2	IDE Detect
A3	IDE Enable
A4	SCSI initialization is started
A5	SCSI Reset
A6	SCSI Detect
A7	SCSI Enable

A8	Setup Verifying Password
A9	Start of Setup
AB	Setup Input Wait
AD	Ready To Boot event
AE	Legacy Boot event
AF	Exit Boot Services event
B0	Runtime Set Virtual Address MAP Begin
B1	Runtime Set Virtual Address MAP End
B2	Legacy Option ROM Initialization
B3	System Reset
B4	USB hot plug
B5	PCI bus hot plug
B6	Clean-up of NVRAM
B7	Configuration Reset (reset of NVRAM settings)
B8 - BF	Reserved for future AMI codes

DXE Error Codes

D0	CPU initialization error
D1	System Agent initialization error
D2	PCH initialization error
D3	Some of the Architectural Protocols are not available
D4	PCI resource allocation error. Out of Resources
D5	No Space for Legacy Option ROM
D6	No Console Output Devices are found
D7	No Console Input Devices are found
D8	Invalid password
D9	Error loading Boot Option (LoadImage returned error)
DA	Boot Option is failed (StartImage returned error)
DB	Flash update is failed
DC	Reset protocol is not available

S3 Resume Progress Codes

E0	S3 Resume is started (S3 Resume PPI is called by the DXE IPL)
E1	S3 Boot Script execution
E2	Video repost
E3	OS S3 wake vector call
E4 - E7	Reserved for future AMI progress codes

S3 Resume Error Codes

E8	S3 Resume Failed
E9	S3 Resume PPI not Found
EA	S3 Resume Boot Script Error
EB	S3 OS Wake Error
EC - EF	Reserved for future AMI error codes

Recovery Progress Codes

F0	Recovery condition triggered by firmware (Auto recovery)
F1	Recovery condition triggered by user (Forced recovery)
F2	Recovery process started
F3	Recovery firmware image is found
F4	Recovery firmware image is loaded
F5 - F7	Reserved for future AMI progress codes

Recovery Error Codes

F8	Recovery PPI is not available
F9	Recovery capsule is not found
FA	Invalid recovery capsule
FB - FF	Reserved for future AMI error codes

ACPI States Codes

The following codes appear after booting and the operating system into ACPI modes.

01	System is entering S1 sleep state
02	System is entering S2 sleep state
03	System is entering S3 sleep state
04	System is entering S4 sleep state
05	System is entering S5 sleep state
10	System is waking up from the S1 sleep state
20	System is waking up from the S2 sleep state
30	System is waking up from the S3 sleep state
40	System is waking up from the S4 sleep state
AC	System has transitioned into ACPI mode. Interrupt controller is in PIC mode.
AA	System has transitioned into ACPI mode. Interrupt controller is in APIC mode.

CPU Temperature

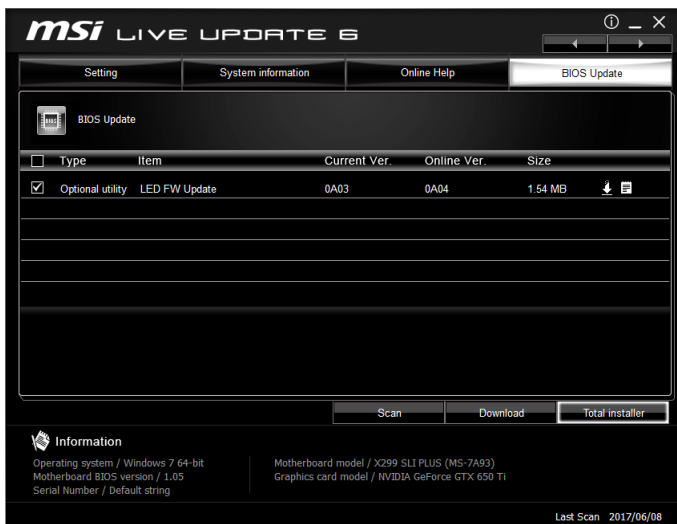
00 - 99	Displays current CPU temperature after the system has fully booted into the OS.
----------------	---

Updating LED Firmware

Updating the LED firmware can help improve lighting effect.

To update LED firmware:

1. Install and launch MSI LIVE UPDATE 6.
2. Select **BIOS Update**.
3. Click on **Scan** button. If the LED firmware needs to be updated, the version of the firmware will appear in the list.
4. Select the item in the list.



5. Click on **Total installer** button to download and install the firmware.
6. When the process is 100% completed, you need to restart your computer to enable the LED firmware.

BIOS Setup

The default settings offer the optimal performance for system stability in normal conditions. You should **always keep the default settings** to avoid possible system damage or failure booting unless you are familiar with BIOS.

Important

- BIOS items are continuously update for better system performance. Therefore, the description may be slightly different from the latest BIOS and should be for reference only. You could also refer to the **HELP** information panel for BIOS item description.
- The pictures in this chapter are for reference only and may vary from the product you purchased.

Entering BIOS Setup

Please refer the following methods to enter BIOS setup.

- Press **Delete** key, when the **Press DEL key to enter Setup Menu, F11 to enter Boot Menu** message appears on the screen during the boot process.
- Use **MSI FAST BOOT** application. Click on **GO2BIOS** button and choose **OK**. The system will reboot and enter BIOS setup directly.



Click on **GO2BIOS**

Function key

- F1:** General Help
- F2:** Add/ Remove a favorite item
- F3:** Enter Favorites menu
- F4:** Enter CPU Specifications menu
- F5:** Enter Memory-Z menu
- F6:** Load optimized defaults
- F7:** Switch between Advanced mode and EZ mode
- F8:** Load Overclocking Profile
- F9:** Save Overclocking Profile
- F10:** Save Change and Reset*
- F12:** Take a screenshot and save it to USB flash drive (FAT/ FAT32 format only).
- Ctrl+F:** Enter Search page

* When you press F10, a confirmation window appears and it provides the modification information. Select between Yes or No to confirm your choice.

Resetting BIOS

You might need to restore the default BIOS setting to solve certain problems. There are several ways to reset BIOS:

- Go to BIOS and press **F6** to load optimized defaults.
- Short the **Clear CMOS** jumper/ button on the motherboard.



*Be sure the computer is off before clearing CMOS data. Please refer to the **Clear CMOS** jumper/ button section for resetting BIOS.*

Updating BIOS

Updating BIOS with M-FLASH

Before updating:

Please download the latest BIOS file that matches your motherboard model from MSI website. And then save the BIOS file into the USB flash drive.

Updating BIOS:

1. Press Del key to enter the BIOS Setup during POST.
2. Insert the USB flash drive that contains the update file into the computer.
3. Select the **M-FLASH** tab and click on **Yes** to reboot the system and enter the flash mode.
4. Select a BIOS file to perform the BIOS update process.
5. After the flashing process is 100% completed, the system will reboot automatically.

Updating the BIOS with Live Update 6

Before updating:

Make sure the LAN driver is already installed and the Internet connection is set properly.

Updating BIOS:

1. Install and launch MSI LIVE UPDATE 6.
2. Select **BIOS Update**.
3. Click on **Scan** button.
4. Click on **Download** icon to download and install the latest BIOS file.
5. Click **Next** and choose **In Windows mode**. And then click **Next** and **Start** to start updating BIOS.
6. After the flashing process is 100% completed, the system will restart automatically.

Updating BIOS with BIOS FLASHBACK+

Before updating:

Please download the latest BIOS file that matches your motherboard model from MSI® website and rename the BIOS file to **MSI.ROM**. And then, save the **MSI.ROM** file to the root of USB flash drive.

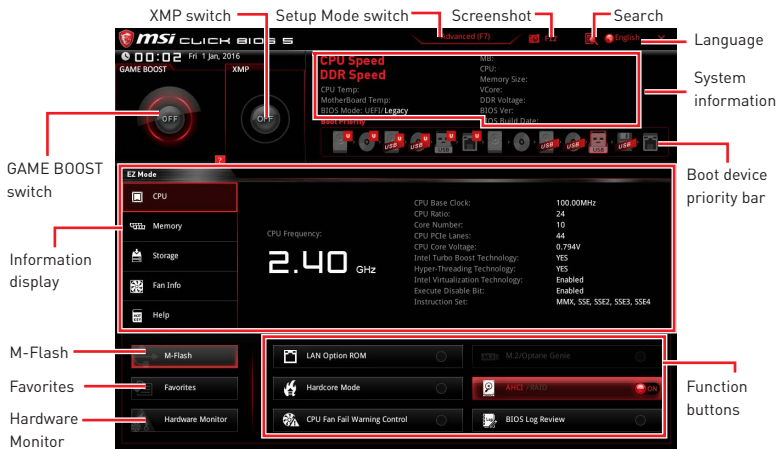


*Only the FAT32 format USB flash drive supports updating BIOS by **BIOS FLASHBACK+**.*

1. Connect power supply to **CPU_PWR1** and **ATX_PWR1**. (No other components are necessary but power supply.)
2. Plug the USB flash drive that contains the MSI.ROM file into the BIOS FLASHBACK+ port on rear I/O panel.
3. Press the BIOS FLASHBACK+ button to flash BIOS, and the light of BIOS FLASHBACK+ button starts flashing.
4. After the flashing BIOS process is 100% completed, the button light would stop flashing and would be off simultaneously.

EZ Mode

At EZ mode, it provides the basic system information and allows you to configure the basic setting. To configure the advanced BIOS settings, please enter the Advanced Mode by pressing the **Setup Mode switch** or **F7** function key.



- **GAME BOOST switch** - click on it to toggle the **GAME BOOST** for OC.

Important

Please don't make any changes in OC menu and don't load defaults to keep the optimal performance and system stability after activating the **GAME BOOST** function.

- **XMP switch** - click on the inner circle to enable/ disable the X.M.P. (Extreme Memory Profile). Switch the outer circle to select the X.M.P. profile. This switch will only be available if the X.M.P. supported memory module is installed.
- **Setup Mode switch** - press this tab or the **F7** key to switch between Advanced mode and EZ mode.
- **Screenshot** - click on this tab or the **F12** key to take a screenshot and save it to USB flash drive (FAT/ FAT32 format only).

- **Search** - click on this tab or the **Ctrl+F** keys and the search page will show. It allows you to search by BIOS item name, enter the item name to find the item listing. Move the mouse over a blank space and right click the mouse to exit search page.

Important

In search page, only the **F6**, **F10** and **F12** function keys are available.

- **Language** - allows you to select the language of BIOS setup.
- **System information** - shows the CPU/ DDR speed, CPU/ MB temperature, MB/ CPU type, memory size, CPU/ DDR voltage, BIOS version and build date.
- **Boot device priority bar** - you can move the device icons to change the boot priority. The boot priority from high to low is left to right.

- **Information display** - click on the **CPU, Memory, Storage, Fan Info** and **Help** buttons on left side to display related information.

- **Function buttons** - enable or disable the **LAN Option ROM, M.2/Optane Genie, Hardcore mode, AHCI, RAID, CPU Fan Fail Warning Control** and **BIOS Log Review** by clicking on their respective button.

 - **Hardcore Mode** - when enabled, set and keep the CPU to full speed mode to maximize system performance. This feature will increase power consumption.

- **M-Flash** - click on this button to display the **M-Flash** menu that provides the way to update BIOS with a USB flash drive.

- **Hardware Monitor** - click on this button to display the **Hardware Monitor** menu that allows you to manually control the fan speed by percentage.

- **Favorites** - press the **Favorites** tab or the **F3** key to enter **Favorites** menu. It allows you to create personal BIOS menu where you can save and access favorite/ frequently-used BIOS setting items.

 - **Default HomePage** - allows you to select a BIOS menu (e.g. SETTINGS, OC...,etc) as the BIOS home page.

 - **Favorite1~5** - allows you to add the frequently-used/ favorite BIOS setting items in one page.

 - **To add a BIOS item to a favorite page (Favorite 1~5)**

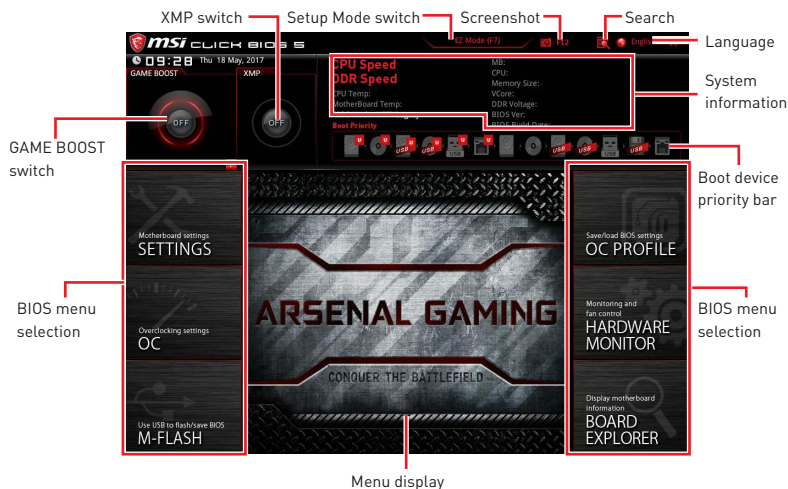
1. Move the mouse over a BIOS item not only on BIOS menu but also on search page.
2. Right-click or press **F2** key.
3. Choose a favorite page and click on **OK**.

 - **To delete a BIOS item from favorite page**

1. Move the mouse over a BIOS item on favorite page (Favorite 1~5)
2. Right-click or press **F2** key.
3. Choose **Delete** and click on **OK**.

Advanced Mode

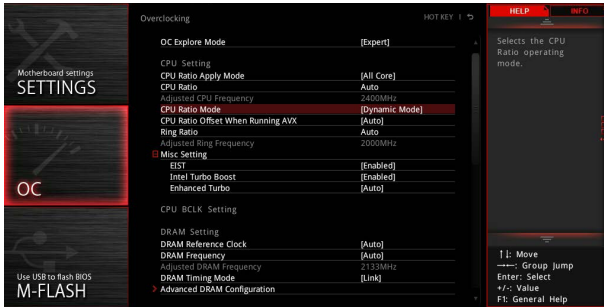
Press **Setup Mode switch** or **F7** function key can switch between EZ Mode and Advanced Mode in BIOS setup.



- **GAME BOOST switch/ XMP switch/ Setup Mode switch/ Screenshot/ Favorites/ Language/ System information/ Boot device priority bar** - please refer to the descriptions of EZ Mode Overview section.
- **BIOS menu selection** - the following options are available:
 - **SETTINGS** - allows you to specify the parameters for chipset and boot devices.
 - **OC** - allows you to adjust the frequency and voltage. Increasing the frequency may get better performance.
 - **M-FLASH** - provides the way to update BIOS with a USB flash drive.
 - **OC PROFILE** - allows you to manage overclocking profiles.
 - **HARDWARE MONITOR** - allows you to set the speeds of fans and monitor voltages of system.
 - **BOARD EXPLORER** - provides the information of installed devices on this motherboard.
- **Menu display** - provides BIOS setting items and information to be configured.

OC Menu

This menu is for advanced users who want to overclock the motherboard.



Important

- Overclocking your PC manually is only recommended for advanced users.
- Overclocking is not guaranteed, and if done improperly, it could void your warranty or severely damage your hardware.
- If you are unfamiliar with overclocking, we advise you to use **GAME BOOST** function for easy overclocking.

► OC Explore Mode [Normal]

Enables or disables to show the normal or expert version of OC settings.

[Normal] Provides the regular OC settings in BIOS setup.

[Expert] Provides the advanced OC settings for OC expert to configure in BIOS setup.

Note: We use * as the symbol for the OC settings of Expert mode.

► CPU Ratio Apply Mode [All Core]*

Sets applied mode for CPU ratio. This item only appears when a CPU that supports **Turbo Boost** is installed.

[All Core] Activate the **CPU Ratio** field. All CPU cores will run the same CPU ratio that be set in **CPU Ratio**.

[Per Core] Activate the **X-Core Ratio Limit** field. Sets each CPU core ratio separately in **X-Core Ratio Limit**.

► CPU Ratio [Auto]

Sets the CPU ratio that is used to determine CPU clock speed. This item can only be changed if the processor supports this function.

► Adjusted CPU Frequency

Shows the adjusted CPU frequency. Read-only.

► CPU Ratio Mode [Dynamic Mode]*

Selects the CPU Ratio operating mode. This item will appear when you set the CPU ratio manually.

[Fixed Mode] Fixes the CPU ratio.

[Dynamic Mode] CPU ratio will be changed dynamically according to the CPU loading.

► CPU Ratio Offset When Running AVX [Auto]

Sets a offset value to lower the CPU core ratio. It could be helpful for heat dissipation when running AVX instruction set. If set to Auto, BIOS will configure this setting automatically. This item appears when the installed CPU supports this function.

► Ring Ratio [Auto]

Sets the ring ratio. The valid value range depends on the installed CPU.

► Adjusted Ring Frequency

Shows the adjusted Ring frequency. Read-only.

► Misc Setting*

Press Enter, + or - key to open or close the following 3 items related to CPU features.

► EIST [Enabled]*

Enables or disables the Enhanced Intel® SpeedStep Technology.

[Enabled] Enables the EIST to adjust CPU voltage and core frequency dynamically. It can decrease average power consumption and average heat production.

[Disabled] Disables EIST.

► Intel Turbo Boost [Enabled]*

Enables or disables the Intel® Turbo Boost. This item appears when the installed CPU supports this function.

[Enabled] Enables this function to boost CPU performance automatically above rated specifications when system request the highest performance state.

[Disabled] Disables this function.

► Enhanced Turbo [Auto]*

Enables or disables Enhanced Turbo function for all CPU cores to boost CPU performance. This item appears when the installed CPU supports this function.

[Auto] This setting will be configured automatically by BIOS.

[Enabled] All CPU cores would be increased to maximum turbo ratio.

[Disabled] Disables this function.

► Extreme Memory Profile (X.M.P.) [Disabled]

X.M.P. (Extreme Memory Profile) is the overclocking technology by memory module. Please enable XMP or select a profile of memory module for overclocking the memory. This item will be available when the memory modules that support X.M.P. is installed.

► DRAM Reference Clock [Auto]*

Sets the DRAM reference clock. The valid value range depends on the installed CPU. This item appears when a CPU that supports this adjustment is installed.

► DRAM Frequency [Auto]

Sets the DRAM frequency. Please note the overclocking behavior is not guaranteed.

► Adjusted DRAM Frequency

Shows the adjusted DRAM frequency. Read-only.

► DRAM Timing Mode [Link]

Selects the memory timing mode.

[Link] Allows user to configure the DRAM timing for all memory channel.

[UnLink] Allows user to configure the DRAM timing for respective memory channel.

► Advanced DRAM Configuration

Press **Enter** to enter the sub-menu. User can set the memory timing for each/ all memory channel. The system may become un-stable or un-bootable after changing memory timing. If it occurs, please clear the CMOS data and restore the default settings. (Refer to the Clear CMOS jumper/ button section to clear the CMOS data, and enter the BIOS to load the default settings.)

► Memory Fast Boot [Auto]*

Enables or disables the initiation and training for memory every booting.

[Auto] The setting will be configured automatically by BIOS.

[Enabled] System will completely keep the archives of first initiation and training for memory. So the memory will not be initiated and trained when booting to accelerate the system booting time.

[Disabled] The memory will be initiated and trained every booting.

► DigitALL Power

Press **Enter** to enter the sub-menu. Controls the digital powers related to CPU PWM.

► SVID Communication [Auto]*

Enables or disables SVID (Serial Voltage Identification) support.

[Auto] This setting will be configured automatically by BIOS.

[Enabled] PWM phase will be changed dynamically according to the CPU SVID (Serial Voltage Identification).

[Disabled] Disables SVID (Serial Voltage Identification) support.

► VCCIN Voltage [Auto]

Sets the CPU input voltage. The CPU input voltage is the CPU power source that is shared with components of the CPU.

► CPU Voltages control [Auto]

These options allows you to set the voltages related to CPU. If set to **Auto**, BIOS will set these voltages automatically or you can set it manually.

► DRAM Voltages control [Auto]

These options allows you to set the voltages related to memory. If set to **Auto**, BIOS will set these voltages automatically or you can set it manually.

► PCH Voltages control [Auto] (optional)

These options allows you to set the voltages related to PCH. If set to **Auto**, BIOS will set these voltages automatically or you can set it manually.

► CPU Memory Changed Detect [Enabled]*

Enables or disables the system to issue a warning message during boot when the CPU or memory has been replaced.

[Enabled] The system will issue a warning message during boot and than needs to load the default settings for new devices.

[Disabled] Disables this function and keeps the current BIOS settings.

► CPU Specifications

Press **Enter** to enter the sub-menu. This sub-menu displays the information of installed CPU. You can also access this information menu at any time by pressing [F4]. Read only.

► CPU Technology Support

Press **Enter** to enter the sub-menu. The sub-menu shows the key features of installed CPU. Read only.

► MEMORY-Z

Press **Enter** to enter the sub-menu. This sub-menu displays all the settings and timings of installed memory. You can also access this information menu at any time by pressing [F5].

► DIMMx Memory SPD

Press **Enter** to enter the sub-menu. The sub-menu displays the information of installed memory. Read only.

► CPU Features

Press **Enter** to enter the sub-menu.

► Hyper-Threading [Enabled]

Intel Hyper-Threading technology treats the multi cores inside the processor as multi logical processors that can execute instructions simultaneously. In this way, the system performance is highly improved. This item appears when the installed CPU supports this technology.

[Enable] Enables Intel Hyper-Threading technology.

[Disabled] Disables this item if the system does not support HT function.

► Active Processor Cores [All]

Allows you to select the number of active CPU cores.

► Limit CPUID Maximum [Disabled]

Enables or disables the extended CPUID value.

[Enabled] BIOS limits the maximum CPUID input value to circumvent boot problems with older operating system that do not support the processor with extended CPUID value.

[Disabled] Use the actual maximum CPUID input value.

► **Intel Virtualization Tech [Enabled]**

Enables or disables Intel Virtualization technology.

[Enabled] Enables Intel Virtualization technology and allows a platform to run multiple operating systems in independent partitions. The system can function as multiple systems virtually.

[Disabled] Disables this function.

► **Intel VT-D Tech [Disabled]**

Enables or disables Intel VT-D (Intel Virtualization for Directed I/O) technology.

► **Hardware Prefetcher [Enabled]**

Enables or disables the hardware prefetcher (MLC Streamer prefetcher).

[Enabled] Allows the hardware prefetcher to automatically pre-fetch data and instructions into L2 cache from memory for tuning the CPU performance.

[Disabled] Disables the hardware prefetcher.

► **Adjacent Cache Line Prefetch [Enabled]**

Enables or disables the CPU hardware prefetcher (MLC Spatial prefetcher).

[Enabled] Enables adjacent cache line prefetching for reducing the cache latency time and tuning the performance to the specific application.

[Disabled] Enables the requested cache line only.

► **CPU AES Instructions [Enabled]**

Enables or disables the CPU AES (Advanced Encryption Standard-New Instructions) support. This item appears when a CPU supports this function.

► **Intel Adaptive Thermal Monitor [Enabled]**

Enables or disables the Intel adaptive thermal monitor function to protect the CPU from overheating.

[Enabled] Throttles down the CPU core clock speed when the CPU is over the adaptive temperature.

[Disabled] Disables this function.

► **Intel C-State [Auto]**

Enables or disables the Intel C-state. C-state is a processor power management technology defined by ACPI.

[Auto] This setting will be configured automatically by BIOS.

[Enabled] Detects the idle state of system and reduce CPU power consumption accordingly.

[Disabled] Disable this function.

► **C1E Support [Disabled]**

Enables or disables the C1E function for power-saving in halt state. This item appears when **Intel C-State** is enabled.

[Enabled] Enables C1E function to reduce the CPU frequency and voltage for power-saving in halt state.

[Disabled] Disables this function.

► **Package C State Limit [Auto]**

This item allows you to select a CPU C-state level for power-saving when system is idle. The options of C-state depend on the installed CPU. This item appears when **Intel C-State** is enabled.

► **CFG Lock [Enabled]**

Lock or un-lock the MSR 0xE2[15], CFG lock bit.

[Enabled] Locks the CFG lock bit.

[Disabled] Un-locks the CFG lock bit.

► **Long Duration Power Limit (W) [Auto]**

Sets the long duration TDP power limit for CPU in Turbo Boost mode.

► **Long Duration Maintained (s) [Auto]**

Sets the maintaining time for Long duration power Limit(W).

► **Short Duration Power Limit (W) [Auto]**

Sets the short duration TDP power limit for CPU in Turbo Boost mode.

► **CPU Current Limit (A) [Auto]**

Sets maximum current limit of CPU package in Turbo Boost mode. When the current is over the specified value, the CPU will automatically reduce the core frequency for reducing the current.

► **FCLK Frequency [Auto]**

Set FCLK Frequency for early power on. Lower FCLK frequency may help you to set higher base clock frequency.

► **DMI Link Speed [Auto]**

Sets DMI speed.

Software Description

Installing Windows® 10

1. Power on the computer.
2. Insert the Windows® 10 disc into your optical drive.
3. Press the **Restart** button on the computer case.
4. Press **F11** key during the computer POST (Power-On Self Test) to get into Boot Menu.
5. Select your optical drive from the Boot Menu.
6. Press any key when screen shows **Press any key to boot from CD or DVD...** message.
7. Follow the instructions on the screen to install Windows® 10.

Installing Drivers

1. Start up your computer in Windows® 10.
2. Insert MSI® Driver Disc into your optical drive.
3. The installer will automatically appear and it will find and list all necessary drivers.
4. Click **Install** button.
5. The software installation will then be in progress, after it has finished it will prompt you to restart.
6. Click **OK** button to finish.
7. Restart your computer.

Installing Utilities

Before you install utilities, you must complete drivers installation.

1. Insert MSI® Driver Disc into your optical drive.
2. The installer will automatically appear.
3. Click **Utilities** tab.
4. Select the utilities you want to install.
5. Click **Install** button.
6. The utilities installation will then be in progress, after it has finished it will prompt you to restart.
7. Click **OK** button to finish.
8. Restart your computer.

Inhalt

Sicherheitshinweis	3
Spezifikationen	4
Rückseite E/A	10
LAN Port LED Zustandstabelle	10
Konfiguration der Audioanschlüsse	10
Realtek HD Audio Manager	11
Antennen installieren (optional)	13
Übersicht der Komponenten	14
CPU Sockel	15
DIMM-Steckplätze	16
PCI_E1~6: PCIe Erweiterungssteckplätze	19
Tabelle der PCIe Bandbreiten	19
U2_1: U.2 Anschluss	21
M2_1~2: M.2 Steckplätze (Key M)	22
SATA1~8: SATA 6Gb/s Anschlüsse	23
CPU_PWR1, ATX_PWR1: Stromanschlüsse	25
VRAID1: Virtual RAID on CPU Connector	25
JFP1, JFP2: Frontpanel-Anschlüsse	26
JUSB3, JUSB4: USB 3.1 Gen1 Anschlüsse	26
JUSB5: USB 3.1 Gen2 Typ-C Anschluss	27
JUSB1~2: USB 2.0 Anschlüsse	28
JTPM1: TPM Anschluss	28
CPU_FAN1, PUMP_FAN1, SYS_FAN1~4: Stromanschlüsse für Lüfter	29
JTBT1: Anschluss für Thunderbolt-Erweiterungskarte	29
JAUD1: Audioanschluss des Frontpanels	30
JCI1: Gehäusekontaktanschluss	30
BIOS_SW1: Multi-BIOS Schalter	31
JBAT1: Clear CMOS Steckbrücke (Reset BIOS)	32
POWER1, RESET1: Power-Taste, Reset-Taste	32
JLED1: RGB LED Anschluss	33
Onboard-LEDs	34
EZ Debug LEDs	34
DIMM LEDs	34
XMP LED	34
Lüfter LEDs	35
PCIe x16 Steckplatz LEDs	35
Debug-Code-LED	36

Debug-Code-LED-Tabelle	36
ACPI Status-Codes	39
CPU-Temperatur	39
Aktualisierung der LED-Firmware.....	40
BIOS-Setup	41
Öffnen des BIOS Setups.....	41
Reset des BIOS	42
Aktualisierung des BIOS.....	42
EZ Modus	44
Erweiterter Modus	46
OC Menü.....	47
Softwarebeschreibung	54
Installation von Windows® 10	54
Installation von Treibern.....	54
Installation von Utilities.....	54

Sicherheitshinweis

- Die im Paket enthaltene Komponenten sind der Beschädigung durch elektrostatischen Entladung (ESD). Beachten Sie bitte die folgenden Hinweise, um die erfolgreichen Computermontage sicherzustellen.
- Stellen Sie sicher, dass alle Komponenten fest angeschlossen sind. Lockere Steckverbindungen können Probleme verursachen, zum Beispiel: Der Computer erkennt eine Komponente nicht oder startet nicht.
- Halten Sie das Motherboard nur an den Rändern fest, und verhindern Sie die Berührung der sensiblen Komponenten.
- Um eine Beschädigung der Komponenten durch elektrostatische Entladung (ESD) zu vermeiden, sollten Sie eines elektrostatischen Armbands während der Handhabung des Motherboards tragen. Wenn kein elektrostatischen Handgelenkband vorhanden ist, sollten Sie Ihre statische Elektrizität ableiten, indem Sie ein anderes Metallobjekt berühren, bevor Sie das Motherboard anfassen.
- Bewahren Sie das Motherboard in einer elektrostatische Abschirmung oder einem Antistatiktuch auf, wenn das Motherboard nicht installiert ist.
- Überprüfen Sie vor dem Einschalten des Computers, dass sich keine losen Schrauben und andere Bauteile auf dem Motherboard oder im Computergehäuse befinden.
- Bitte starten Sie den Computer nicht, bevor die Installation abgeschlossen ist. Dies könnte permanente Schäden an den Komponenten sowie zu das Verletzung des Benutzers verursachen.
- Sollten Sie Hilfe bei der Installation benötigen, wenden Sie sich bitte an einen zertifizierten Computer-Techniker.
- Schalten Sie die Stromversorgung aus und ziehen Sie das das Stromkabel ab, bevor Sie jegliche Computer-Komponente ein- und ausbauen.
- Bewahren Sie die Bedienungsanleitung als künftige Referenz auf.
- Halten Sie das Motherboard von Feuchtigkeit fern.
- Bitte stellen Sie sicher, dass Ihre Netzspannung den Hinweisen auf dem Netzteil vor Anschluss des Netzteils an die Steckdose entspricht.
- Verlegen Sie das Netzkabel so, dass niemand versehentlich darauf treten kann. Stellen Sie nichts auf dem Netzkabel ab.
- Alle Achtungs- und Warnhinweise auf dem Motherboard müssen befolgt werden.
- Falls einer der folgenden Umstände eintritt, lassen Sie bitte das Motherboard von Kundendienstpersonal prüfen:
 - Flüssigkeit ist in dem Computer eingedrungen.
 - Das Motherboard wurde Feuchtigkeit ausgesetzt.
 - Das Motherboard funktioniert nicht richtig oder Sie können es nicht wie in der Bedienungsanleitung beschrieben bedienen.
 - Das Motherboard ist heruntergefallen und beschädigt.
 - Das Motherboard weist offensichtlich Zeichen eines Schadens auf.
- Nutzen und lagern Sie das Gerät nicht an Stellen, an denen Temperaturen von mehr als 60°C herrschen - das Motherboard kann in diesem Fall Schaden nehmen.

Spezifikationen

CPU	<ul style="list-style-type: none"> • Unterstützt Intel® Core™ X-Serie Prozessoren für LGA2066 Sockel
Chipsatz	Intel® X299 Chipsatz
Speicher	<ul style="list-style-type: none"> • 8x DDR4 Speicherplätze, aufrüstbar bis 128GB* • Die 4-Kanal-Speicherarchitektur für Prozessoren mit 4-Kanal DDR4 Unterstützung** <ul style="list-style-type: none"> ▪ X-Serie Prozessoren unterstützen DDR4 4133(OC)/4000(OC)/3866(OC)/3800(OC)/3733(OC)/3600(OC)/3466(OC)/3400(OC)/3333(OC)/3200(OC)/3000(OC)/2933(OC)/2800(OC)/2667/2400/2133 MHz* • Die 2-Kanal-Speicherarchitektur für Prozessoren mit 2-Kanal DDR4 Unterstützung** <ul style="list-style-type: none"> ▪ X-Serie Prozessoren unterstützen DDR4 4500(OC)/4400(OC)/4333(OC)/4266(OC)/4200(OC)/4133(OC)/4000(OC)/3866(OC)/3800(OC)/3733(OC)/3600(OC)/3466(OC)/3400(OC)/3333(OC)/3200(OC)/3000(OC)/2933(OC)/2800(OC)/2667/2400/2133 MHz* • Unterstützt Intel® Extreme Memory Profile (XMP) <p>* Weitere Informationen zu kompatiblen Speicher finden Sie unter: www.msi.com ** Nähere Informationen hierzu finden Sie im Abschnitt der DIMM-Steckplätze.</p>
Erweiterungsanschlüsse	<ul style="list-style-type: none"> • 4x PCIe 3.0 x16-Steckplätze <ul style="list-style-type: none"> ▪ Unterstützung für x16/ x4*/ x16/ x8 Modi mit einer CPU die über 44-Lanes verfügt. ▪ Unterstützung für x16/ x4*/ x8/ x4 Modi mit einer CPU die über 28-Lanes verfügt. ▪ Unterstützung für x8/ x4*/ x8/ x0, x8/ x4*/ x4/ x4 Modi mit einer CPU die über 16-Lanes verfügt. • 2x PCIe 3.0 x1-Steckplätze <p>* Die PCI_E3 Lanes werden durch PCH. Auf der Seite 19 finden Sie eine Übersicht der PCIe-Bandbreiten.</p>
Multi-GPU	<ul style="list-style-type: none"> • Unterstützt bis zu 3-Wege AMD® CrossFire™ Technologie • Unterstützt bis zu 3-Wege NVIDIA® SLI™ Technologie
LAN	1x Intel I219-V Gigabit LAN Controller
Wireless LAN & Bluetooth® (optional)	<ul style="list-style-type: none"> • Intel® Dualband Wireless-AC 8265 Modul <ul style="list-style-type: none"> ▪ Der Wireless-Modul ist im M2_3 (Key-E)-Steckplatz vorinstalliert. ▪ Unterstützt Wi-Fi 802.11 a/b/g/n/ac, Dualband (2,4 GHz, 5 GHz) mit Datenraten von bis zu 867 Mbps. ▪ Unterstützt einen Dual-Modus Bluetooth® 2.1, 2.1+EDR, 3.0, 4.0, BLE, 4.2

Fortsetzung auf der nächsten Seite

Fortsetzung der vorherigen Seite

Audio	<ul style="list-style-type: none">• Realtek® ALC1220 Codec• 7.1-Kanal-HD-Audio• Unterstützt S/PDIF-Ausgang
USB	<ul style="list-style-type: none">• ASMedia® ASM3142 Chipsatz<ul style="list-style-type: none">▪ 1x USB 3.1 Gen2 (SuperSpeed USB 10Gbps) Typ-A Anschluss an der rückseitigen Anschlussleiste▪ 2x USB 3.1 Gen2 (Super Speed USB 10Gbps) Typ-C Anschlüsse (1 Anschluss an der rückseitigen Anschlussleiste, 1 Anschluss steht durch die internen USB Anschluss zur Verfügung)• ASMedia® ASM1074 Hub<ul style="list-style-type: none">▪ 3x USB 3.1 Gen1 (SuperSpeed USB) Typ-A Anschlüsse an der rückseitigen Anschlussleiste• Intel® X299 Chipsatz<ul style="list-style-type: none">▪ 5x USB 3.1 Gen1 (SuperSpeed USB) Anschlüsse (1 Anschluss an der rückseitigen Anschlussleiste, 4 Anschlüsse stehen durch die internen USB Anschluss zur Verfügung)▪ 7x USB 2.0 (High-speed USB) Anschlüsse (3 Anschlüsse an der rückseitigen Anschlussleiste, 4 Anschlüsse stehen durch die internen USB Anschluss zur Verfügung)
Aufbewahrung	<p>Intel® X299 Chipsatz</p> <ul style="list-style-type: none">• 8x SATA 6Gb/s Anschlüsse*• 2x M.2 Steckplätze (Key M)*<ul style="list-style-type: none">▪ Unterstützt bis zu PCIe 3.0 x4 und SATA 6Gb/s▪ Der M2_1 Steckplatz unterstützt die 2242/ 2260 /2280 Speichergeräte▪ Der M2_2 Steckplatz unterstützt die 2242/ 2260 /2280/ 22110 Speichergeräte▪ Intel® Optane™ Technik**• 1x U.2 Anschluss *<ul style="list-style-type: none">▪ Unterstützt PCIe 3.0 x4 NVMe Aufbewahrung• Unterstützt Intel® Smart Response Technologie <p>* Der PCI_E3 Steckplatz, die M.2 Steckplätze, der U.2 Anschluss und die SATA Anschlüsse teilen die dieselbe Bandbreite. Auf der Seite 23 finden Sie die PCI_E3/ U.2/ M.2/ SATA-Kombinationstabelle.</p> <p>** Weitere Informationen finden Sie die Installationsanleitung des Intel® Optane™ Speichers unter: www.msi.com.</p>

Fortsetzung auf der nächsten Seite

Fortsetzung der vorherigen Seite

RAID	<p>Intel® X299 Chipsatz</p> <ul style="list-style-type: none">• Unterstützt RAID 0, RAID 1, RAID 5 und RAID 10 für die SATA Speichergeräte• Unterstützt RAID 0 und RAID 1 für die M.2 PCIe Speichergeräte* <p>* Das M.2 PCIe RAID-Volumen kann ganz einfach mit M.2/Optane Genie erstellt werden.</p>
Interne Anschlüsse	<ul style="list-style-type: none">• 1x 24-poliger ATX Stromanschluss• 1x 8-poliger ATX12V Stromanschluss• 8x SATA 6Gb/s Anschlüsse• 3x M.2 Steckplätze (Key M x2, Key E x1)• 1x U.2 Anschluss• 2x USB 2.0 Anschlüsse (unterstützt zusätzliche 4 USB 2.0-Ports)• 2x USB 3.1 Gen1 Anschlüsse (unterstützt zusätzliche 4 USB 3.1 Gen1-Ports)• 1x USB 3.1 Gen2 Typ-C Anschluss• 1x 4-poliger CPU-Lüfter-Anschluss• 1x 4-poliger Anschluss für die Wasserpumpe• 4x 4-polige System-Lüfter-Anschlüsse• 1x Audioanschluss des Frontpanels• 2x Frontpanel-Anschlüsse• 1x TPM Anschluss• 1x Gehäusekontaktschalter• 1x Clear CMOS Steckbrücke• 1x Power-Taste• 1x Reset-Taste• 1x Multi-BIOS Schalter• 1x RGB LED Anschluss• 1x Virtual RAID auf dem CPU Anschluss• 1x Anschluss für Thunderbolt-Erweiterungskarte

Fortsetzung auf der nächsten Seite

Fortsetzung der vorherigen Seite

Hintere Ein-/ und Ausgänge	<ul style="list-style-type: none">• 1x Clear CMOS Taste• 1x BIOS Flashback Taste• 1x PS/2 Tastatur/ Maus-Combo-Anschluss• 3x USB 2.0 Typ-A Anschlüsse• 4x USB 3.1 Gen1 Typ-A Anschlüsse• 1x LAN (RJ45) Anschluss• 1x USB 3.1 Gen2 Typ-A Anschluss• 1x USB 3.1 Gen2 Typ-C Anschluss• 1x Optischer S/PDIF-Ausgang• 5x OFC Audiobuchsen
E/A Anschluss	NUVOTON NCT6795 Controller Chip
Hardware Monitor	<ul style="list-style-type: none">• CPU/System Temperaturerfassung• CPU/System Geschwindigkeitserfassung• CPU/System Lüfterdrehzahlregelung
Formfaktor	<ul style="list-style-type: none">• ATX Formfaktor• 12 Zoll x 9,6 Zoll (30,5 cm x 24,4 cm)
BIOS Funktionen	<ul style="list-style-type: none">• 2x 128 Mb Flash• UEFI AMI BIOS• ACPI 6.0, PnP 1.0a, SM BIOS 3.0• Mehrsprachigenunterstützung

Fortsetzung auf der nächsten Seite

Fortsetzung der vorherigen Seite

Software	<ul style="list-style-type: none">• Treiber• APP MANAGER• SUPER CHARGER• COMMAND CENTER• LIVE UPDATE 6• MSI SMART TOOL• DRAGON EYE• GAMING APP• X-BOOST• MYSTIC LIGHT• RAMDISK• GAMING LAN Manager• DPC Latency Tuner• FAST BOOT• Nahimic Audio• XSplit Gamecaster V2• Tridef VR & Smart Cam• SteelSeries Engine 3• WtFast*• CPU-Z MSI GAMING• Intel® Extreme Tuning Utility• Google Chrome™, Google Toolbar, Google Drive• Norton™ Internet Security Solution <p>* Dieses Angebot steht nur für begrenzte Zeit zur Verfügung, weitere Informationen finden Sie unter www.msi.com</p>
Besondere Funktionen von MSI	<ul style="list-style-type: none">• Audio Boost 4• Nahimic 2• GAMING LAN mit Gaming LAN Manager• Turbo U.2• Twin Turbo M.2• Pumpe-Lüfter• Smart-Lüftersteuerung

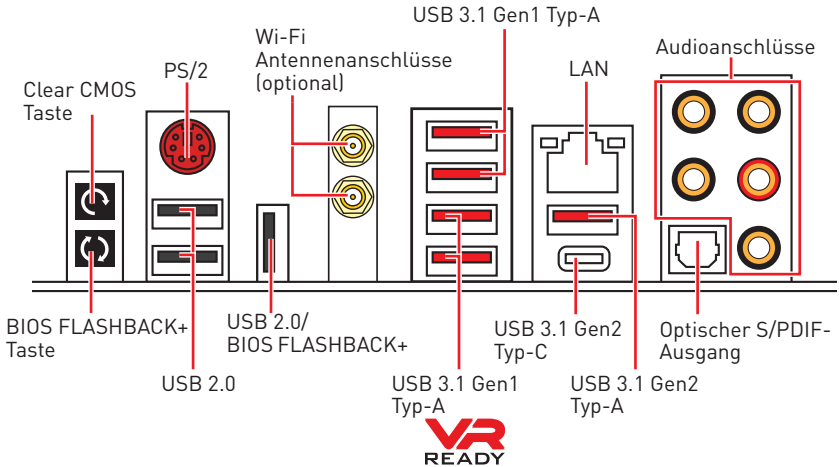
Fortsetzung auf der nächsten Seite

Fortsetzung der vorherigen Seite

**Besondere
Funktionen von MSI**

- Mystic Light
- Mystic Light Extension
- Gaming DNA mit unterer LED
- Mystic Light SYNC
- EZ DEBUG LED
- M.2-Abdeckung FROZR
- PCI-E Steel Armor
- U.2 Steel Armor
- VR Cover
- Muilt GPU - SLI Technologie
- Muilt GPU - CrossFire Technologie
- DDR4 Boost
- OC Engine (Clock gen)
- USB Anschluss mit Typ A+C
- Lightning USB mit ASM3142
- Front Lightning USB 3.1 Gen Typ-C
- Military Class 6
- 7000+ Quality Test
- VR Boost
- VR Ready
- Intel WiFi (optional)
- GAMING HOTKEY
- GAMING Maussteuerung
- Click BIOS 5
- BIOS FLASHBACK+
- Dual BIOS
- Quadro SLI Ready
- Quadro Ready
- GAMING Certified
- SteelSeries Certified

Rückseite E/A



- **Clear CMOS Taste** - Schalten Sie den Computer aus. Halten Sie die Taste „Clear CMOS“ für 5-10 Sekunden gedrückt, um das BIOS auf die Standardwerte zurückzusetzen.
- **BIOS FLASHBACK+ Anschluss/ Taste** - Auf der Seite 43 finden Sie eine Anleitung für eine BIOS-Aktualisierung per BIOS FLASHBACK+.

LAN Port LED Zustandstabelle

Verbindung/ Aktivität LED			Geschwindigkeit LED	
Zustand	Bezeichnung		Zustand	Bezeichnung
Aus	Keine Verbindung	Aus	10 Mbps-Verbindung	
Gelb	Verbindung	Grün	100 Mbps-Verbindung	
Blinkt	Datenaktivität	Orange	1 Gbps-Verbindung	

Konfiguration der Audioanschlüsse

Audioanschlüsse	Kanal			
	2	4	6	8
Mitte-/ Subwoofer-Ausgang			●	●
Hinterer Lautsprecher		●	●	●
Line-In/ Seitliche Lautsprecher				●
Line-Out/ Vorderer Lautsprecher	●	●	●	●
Mic-In				

(●: Verbindet, **Blank:** Leer)

Realtek HD Audio Manager

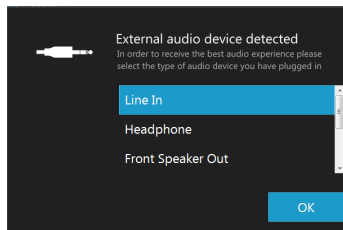
Nach der Installation des **Realtek HD Audio**-Treibers, wird das Symbol **Realtek HD Audio Manager** in der Taskleiste angezeigt. Klicken Sie doppelt auf dieses Symbol, um das Programm zu starten.



- **Geräteauswahl** - Ermöglicht die Auswahl der Audio-Ausgangs Quelle. Das aktuell aktivierte Gerät ist mit einem Haken gekennzeichnet.
- **Optimierungen** - Die Vielfalt an Optionen bietet eine komplette Anleitung von erwarteten Sound-Effekt für beide Ausgangs- und Eingangsvorrichtung.
- **Lautstärke** - Steuert die Lautstärke und die Balance-Einstellung der Lautsprecher, die im Front-Panel oder auf der Rückseite des PCs eingesteckt sind.
- **Profil** - Ermöglicht die Umschaltung zwischen den Profilen.
- **Erweiterte Einstellungen** - Ermöglicht die zeitgleiche Verwendung von zwei Audiostreams.
- **Verbindungsstatus** - Bildet die angeschlossenen Render- und Capture-Geräte ab.
- **Anschlüsse** - Konfiguriert die Anschlusseinstellungen.

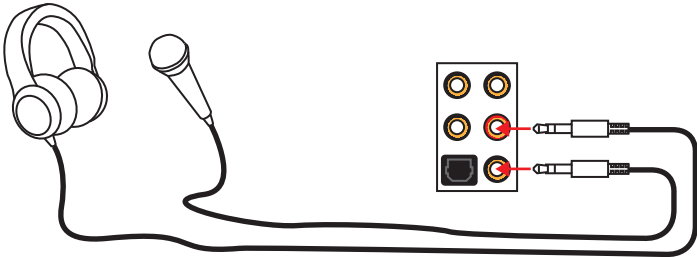
Auto Popup-Dialog

Nach dem Anschluss eines Audio-Klinkensteckers erscheint ein Dialogfenster und fragt nach einer Bestätigung für das angeschlossene Gerät.

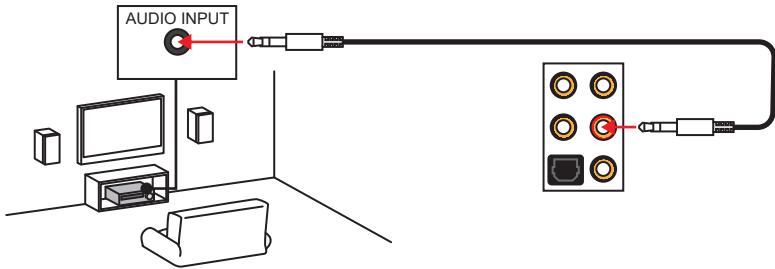


Jede Buchse entspricht diesem Wert der Grundeinstellung, wie es auf den nächsten Seiten gezeigt wird.

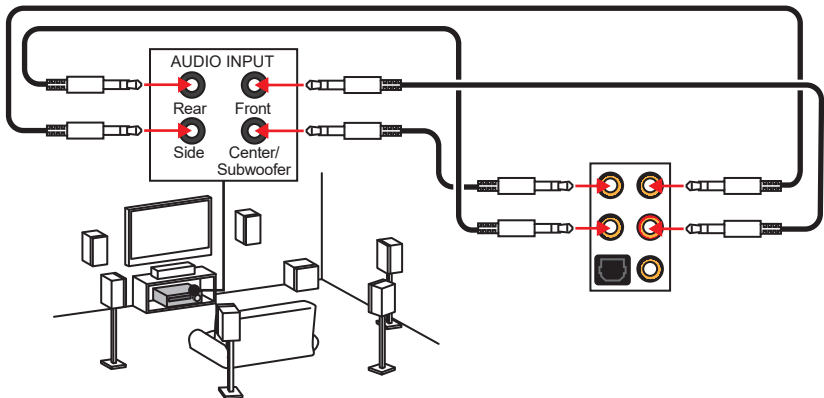
Audiobuchsen für den Anschluss von einem Kopfhörer und Mikrofon



Audiobuchsen für Stereo-Lautsprecher

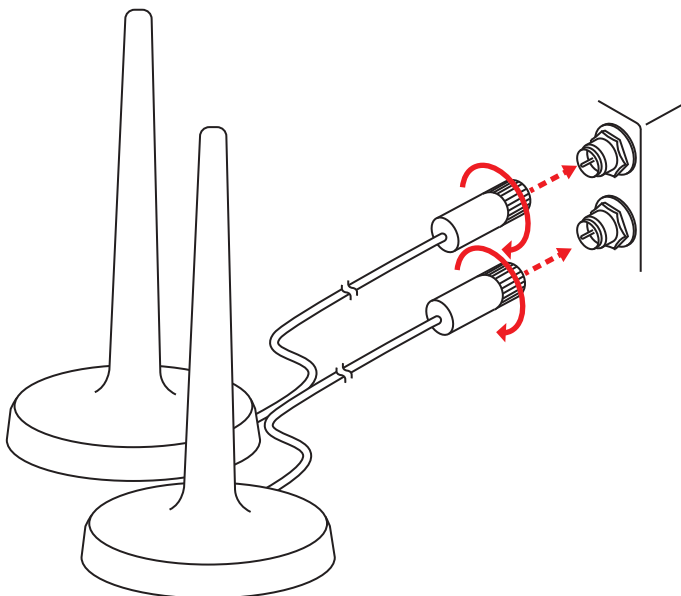


Audiobuchsen für 7,1 Kanal Anlage

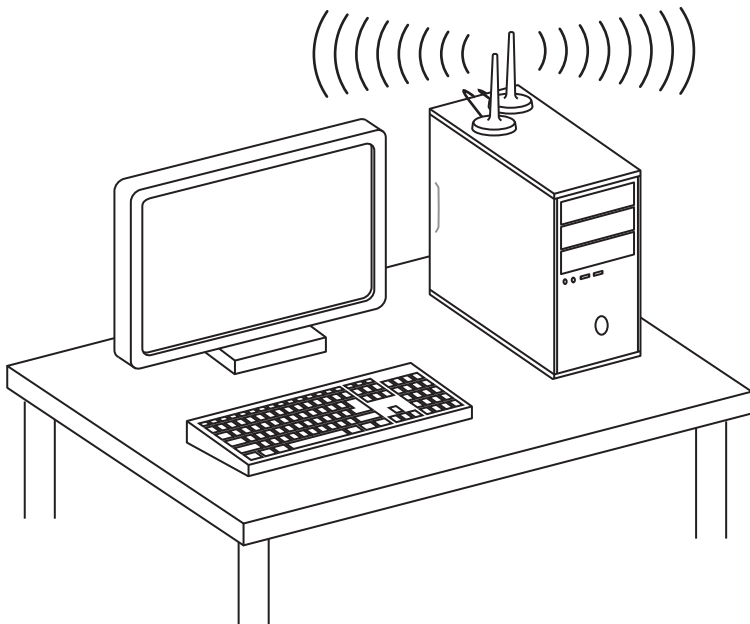


Antennen installieren (optional)

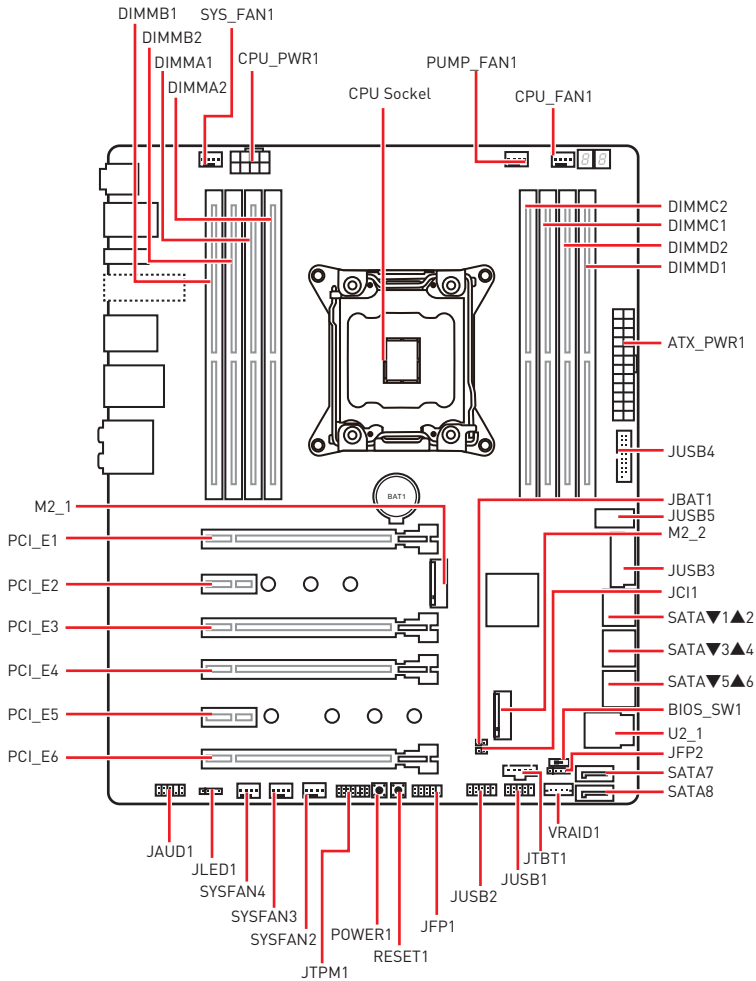
1. Schrauben Sie, wie gezeigt, die Antennen fest an die Wi-Fi Antennenanschlüsse.



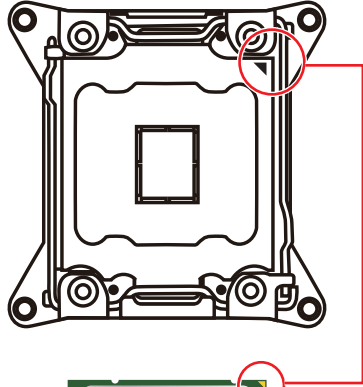
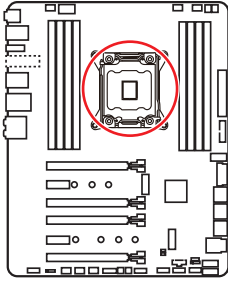
2. Positionieren Sie die Antennen so hoch wie möglich.



Übersicht der Komponenten

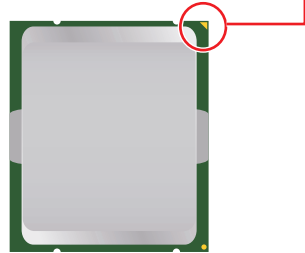


CPU Socket



Erklärung zur LGA 2066 CPU

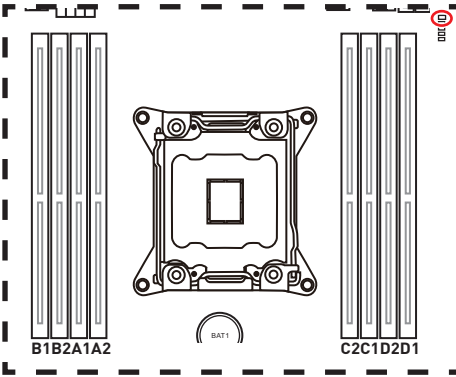
Die Oberseite der LGA 2066 CPU hat vier Justierungen und ein gelbes Dreieck um die korrekte Ausrichtung der CPU auf dem Motherboard zu gewährleisten. Das gelbe Dreieck des Prozessors definiert die Position des ersten Pins.



Wichtig

- Ziehen Sie das Netzkabel ab, bevor Sie die CPU ein- und ausbauen.
- Bitte bewahren Sie die CPU Schutzkappe nach der Installation des Prozessors auf. MSI wird RMA (Return Merchandise Authorization) Anfragen nur dann behandeln, wenn die Schutzklappe auf dem CPU-Sockel des Motherboards sitzt.
- Wenn Sie eine CPU einbauen, denken sie bitte daran, einen CPU-Kühler zu installieren. Ein CPU-Kühlkörper ist notwendig, um eine Überhitzung zu vermeiden und die Systemstabilität zu gewährleisten.
- Stellen Sie sicher, dass Ihr Kühlkörper eine feste Verbindung mit der CPU hergestellt hat, bevor Sie Ihr System starten.
- Überhitzung beschädigt die CPU und das System nachhaltig. Stellen Sie stets eine korrekte Funktionsweise des CPU Kühlers sicher, um die CPU vor Überhitzung zu schützen. Stellen Sie sicher, dass eine gleichmäßige Schicht thermischer Paste oder thermischen Tapes zwischen der CPU und dem Kühlkörper vorhanden ist, um die Wärmeableitung zu erhöhen.
- Schützen Sie den CPU-Sockel immer mit der Plastikabdeckung, wenn keine CPU installiert ist.
- Verwenden Sie bitte die Installationsanweisung des Kühlkörpers/Kühlers, falls Sie eine separate CPU oder einen Kühlkörper/ Kühler erworben haben.
- Dieses Motherboard wurde so entworfen, dass es Übertakten unterstützt. Stellen Sie jedoch bitte sicher, dass die betroffenen Komponenten mit den abweichenden Einstellungen während des Übertaktens zurecht kommen. Von jedem Versuch des Betriebes außerhalb der Produktspezifikationen kann nur abgeraten werden. MSI übernimmt keinerlei Garantie für die Schäden und Risiken, die aus einem unzulässigem Betrieb oder einem Betrieb außerhalb der Produktspezifikation resultieren.

DIMM-Steckplätze

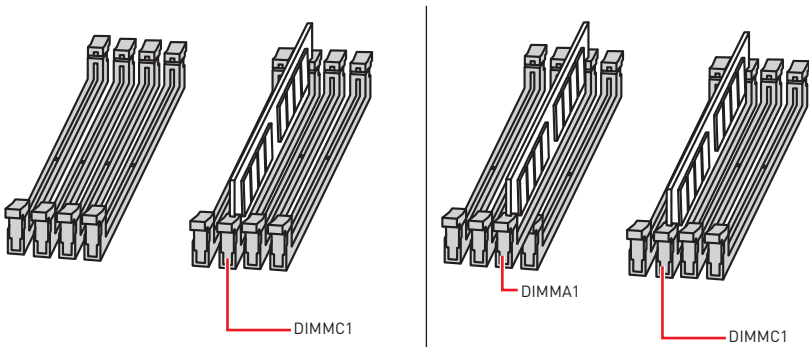


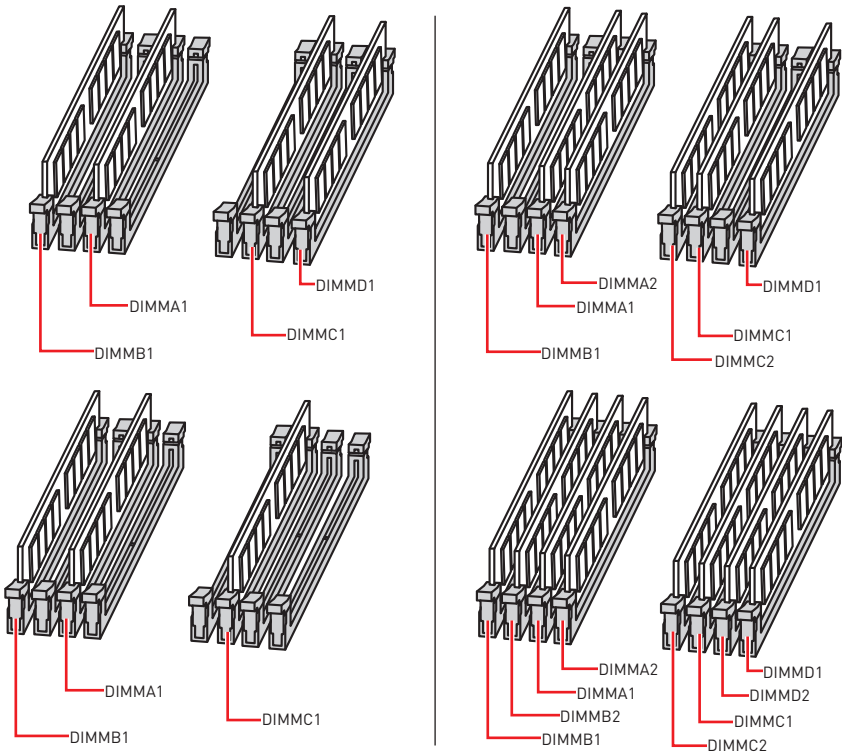
S/K LED : Die S/K LED zeigt an ob die installierte CPU 4-Kanal- oder 2-Kanal-Speicherarchitektur unterstützt.

- Rot = 8 DIMMs-Unterstützung (4-Kanal CPU-Architektur)
- Weiß = 4 DIMMs-Unterstützung (2-Kanal CPU-Architektur)

Speichermodul-Installationsempfehlung (4-Kanal CPU-Architektur)

	B1	B2	A1	A2	Intel Core X-Serie CPU	C2	C1	D2	D1
1 DIMM					Unterstützt 4-Kanal Speicherarchitektur		✓		
2 DIMMs			✓				✓		
3 DIMMs	✓		✓				✓		
4 DIMMs	✓		✓				✓		✓
5 DIMMs	✓		✓			✓	✓		✓
6 DIMMs	✓		✓	✓		✓	✓		✓
7 DIMMs	✓	✓	✓	✓		✓	✓		✓
8 DIMMs	✓	✓	✓	✓		✓	✓	✓	✓





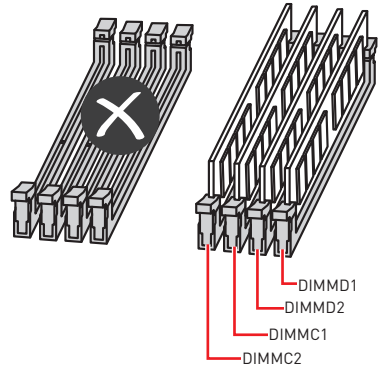
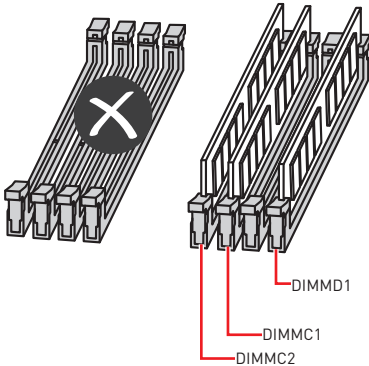
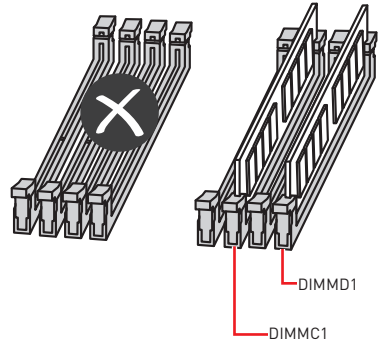
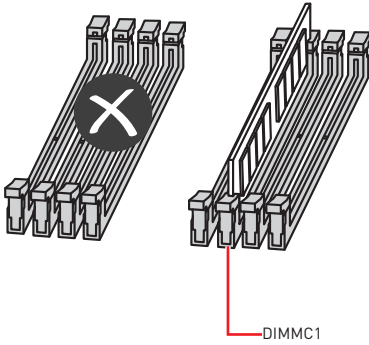
Wichtig

- Um einen sicheren Systemstart zu gewährleisten, bestücken Sie immer **DIMMC1** zuerst.
- Stellen Sie im Dual-/ Triple-/ Quad-Kanal-Modus bitte sicher, dass Sie Module des gleichen Typs und identischer Speicherdichte in den DIMM Slots unterschiedlicher Kanäle verwenden. Für jeden Kanal muss zuerst die ungerade Anzahl der DIMM-Steckplätze installiert werden.
- Aufgrund der Chipsatzressourcennutzung wird die verfügbare Kapazität des Speichers kleiner sein als die Größe der installierten Speicherkapazität.
- Basierend auf der Intel CPU Spezifikation wird eine Speicherspannung unter 1,35 Volt vorgeschlagen, um die CPU zu schützen.
- Bitte beachten Sie, dass die maximale Kapazität eines 32-Bit-Windows-Betriebssystem bei 4GB oder weniger liegt. Wenn Sie mehr als 4 GB Speicher auf dem Motherboard einbauen möchten, empfehlen wir deshalb, ein 64-Bit-Windows-Betriebssystem zu installieren.
- Einige Speicherriegel können beim Übertakten auf einer niedrigeren Frequenz arbeiten, als der festgelegte Wert - abhängig von dem SPD (Serial Presence Detect).
- Es wird empfohlen, ein effizienteres Speicherkühlsystem bei einer Vollbestückung des DIMMs oder beim Übertakten zu verwenden.
- Die Stabilität und Kompatibilität beim Übertakten der installierten Speichermodule sind abhängig von der installierten CPU und den installierten Geräten.

Speichermodul-Installationsempfehlung (2-Kanal CPU-Architektur)

	B1	B2	A1	A2	Intel Core X-Serie CPU	C2	C1	D2	D1
1 DIMM					Unterstützt 2-Kanal Speicherarchitektur		✓		
2 DIMMs							✓		✓
3 DIMMs						✓	✓		✓
4 DIMMs						✓	✓	✓	✓

DIMMB1, B2, A1 und A2 sind nicht verfügbar



PCI_E1~6: PCIe Erweiterungssteckplätze

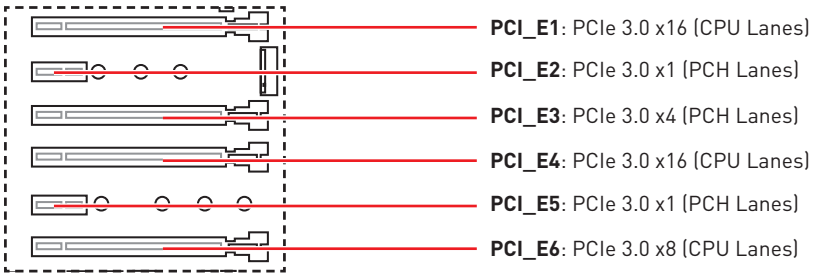


Tabelle der PCIe Bandbreiten

Für eine 44-Lane CPU

Graphikkarte	Einzel	2-Wege*	2-Wege	3-Wege
PCI_E1	Ⓜ 3.0 x16	Ⓜ 3.0 x16	Ⓜ 3.0 x16	Ⓜ 3.0 x16
PCI_E2	3.0 x1	3.0 x1	3.0 x1	3.0 x1
PCI_E3	3.0 x4	3.0 x4	3.0 x4	3.0 x4
PCI_E4	3.0 x16	Ⓜ 3.0 x16	3.0 x16	Ⓜ 3.0 x16
PCI_E5	3.0 x1	3.0 x1	3.0 x1	3.0 x1
PCI_E6	3.0 x8	3.0 x8	Ⓜ 3.0 x8	Ⓜ 3.0 x8

(Ⓜ: Steckplatz für Grafikkarte, *: Beste Kombination)

Für eine 28-Lane CPU

Graphikkarte	Einzel	2-Wege	3-Wege CF
PCI_E1	Ⓜ 3.0 x16	Ⓜ 3.0 x16	Ⓜ 3.0 x16
PCI_E2	3.0 x1	3.0 x1	3.0 x1
PCI_E3	3.0 x4	3.0 x4	3.0 x4
PCI_E4	3.0 x8	Ⓜ 3.0 x8	Ⓜ 3.0 x8
PCI_E5	3.0 x1	3.0 x1	3.0 x1
PCI_E6	3.0 x4	3.0 x4	Ⓜ 3.0 x4

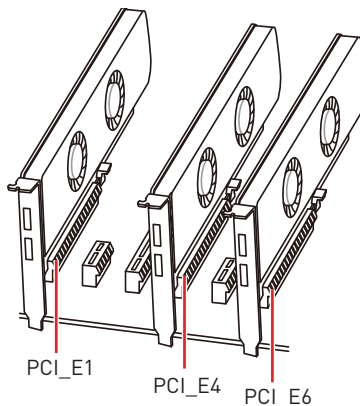
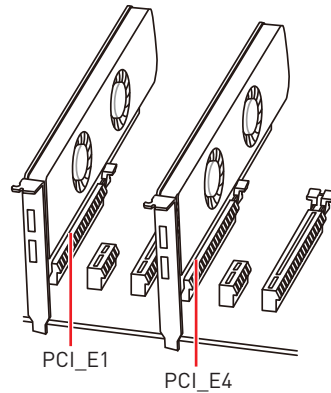
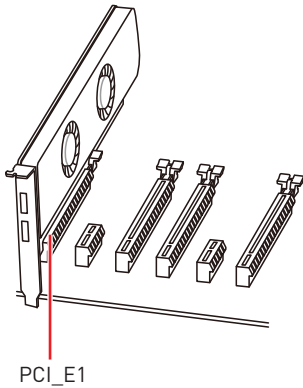
(Ⓜ: Steckplatz für Grafikkarte, CF: Nur CrossFire)

Für eine 16-Lane CPU

Graphikkarte	Einzel		2-Wege	3-Wege CF
PCI_E1	Ⓜ 3.0 x8		Ⓜ 3.0 x8	Ⓜ 3.0 x8
PCI_E2	3.0 x1		3.0 x1	3.0 x1
PCI_E3	3.0 x4		3.0 x4	3.0 x4
PCI_E4	3.0 x8	3.0 x4	Ⓜ 3.0 x8	Ⓜ 3.0 x4
PCI_E5	3.0 x1		3.0 x1	3.0 x1
PCI_E6	Leer	3.0 x4	—	Ⓜ 3.0 x4

(Ⓜ: Steckplatz für Grafikkarte, —: Nicht verfügbar, CF: Nur CrossFire)

Mehrere Grafikkarten Einbauempfehlung

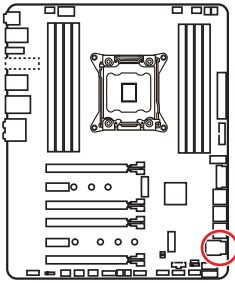


Wichtig

- Für die Installation einer einzelnen PCIe x16 Erweiterungskarte mit optimaler Leistung, empfehlen wir den **PCI_E1** Steckplatz zu verwenden.
- Wenn Sie eine große und schwere Grafikkarte einbauen, benötigen Sie einen **Grafikkarten-Stabilisator (Graphics Card Bolster)** der das Gewicht trägt und eine Verformung des Steckplatzes vermeidet.
- Achten Sie darauf, dass Sie den Strom abschalten und das Netzkabel aus der Steckdose herausziehen, bevor Sie eine Erweiterungskarte installieren oder entfernen. Lesen Sie bitte auch die Dokumentation der Erweiterungskarte, um notwendige zusätzliche Hardware oder Software-Änderungen zu überprüfen.

U2_1: U.2 Anschluss

Dieser Anschluss ist ein U.2 Schnittstellenmodul. Pro Anschluss kann ein PCIe 3.0 x4 NVMe Speichergerät angeschlossen werden.

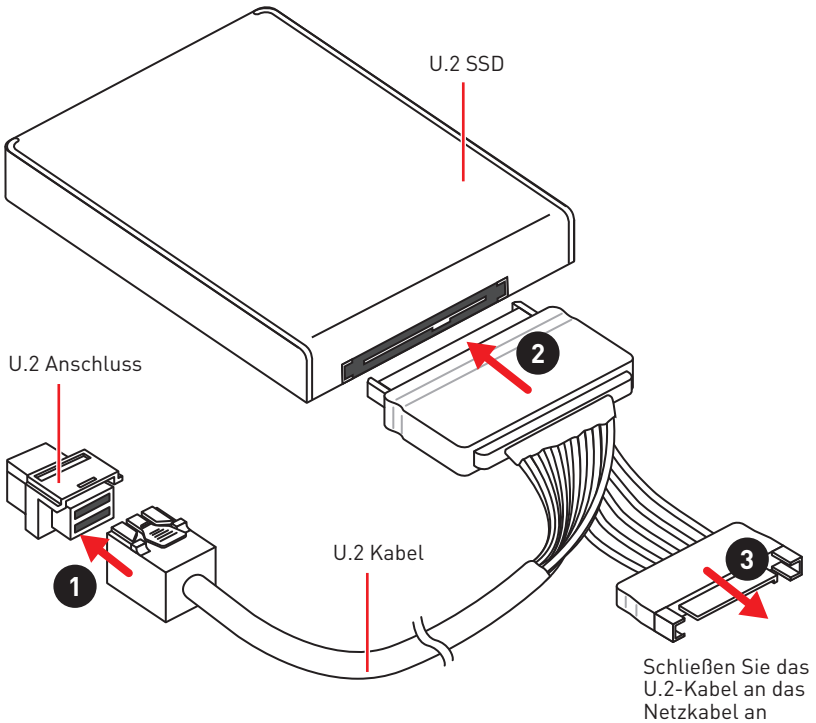


Video-Demonstration

Eine anschauliche Darstellung zur Installation einer U.2 SSD finden Sie im Video: <http://youtu.be/KgFvKDxymvw>

Installation einer U.2 SSD

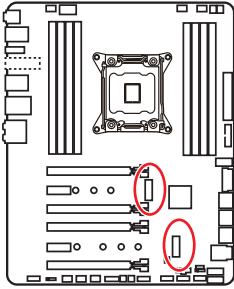
1. Schließen Sie das U.2-Kabel an die U.2-Steckverbindung des Motherboards an.
2. Schließen Sie das U.2-Kabel an der U.2 SSD an.
3. Schließen Sie das U.2-Kabel an das Netzkabel an.



Wichtig

Der U.2 Anschluss wird nicht zur Verfügung stehen, wenn Sie ein PCI_E3-Gerät im PCI_E3 Steckplatz installieren.

M2_1~2: M.2 Steckplätze (Key M)



Wichtig

- Intel® RST unterstützt nur PCIe M.2 SSD mit UEFI ROM.
- Intel® Optane™ Technik unterstützt alle M.2 Steckplätze.



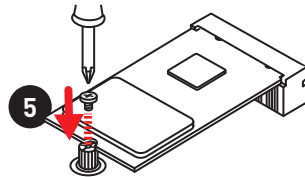
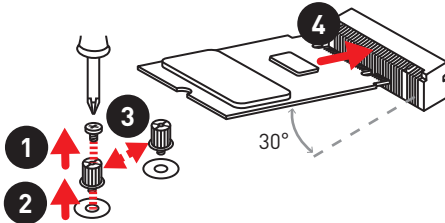
Video-Demonstration

Eine anschauliche Darstellung zur Installation eines M.2 Moduls finden Sie im Video.

<http://youtu.be/JCTFABytrYA>

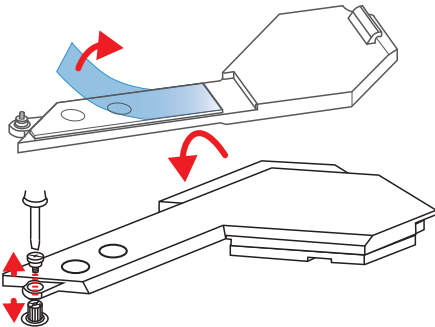
Installation eines M.2 Moduls

1. Entfernen Sie die Schraube aus dem Schraubsockel.
2. Entfernen Sie den Schraubsockel.
3. Befestigen Sie den Schraubsockel in dem Loch, welches zur Länge des M.2 Moduls passt.
4. Stecken Sie das M.2-Modul in den M.2-Steckplatz in einem 30-Grad-Winkel.
5. Setzen Sie die Schraube in die Aussparung an der Hinterkante des M.2-Modul und schrauben Sie sie in den Schraubsockel.



M.2 FROZR verwenden

Wir setzen eine M.2 FROZR auf dem M2_1-Steckplatz ein, um die Abwärme der M.2 Module effizient abführen zu können. Bevor Sie das M.2-Modul erstmals installieren, sollten Sie die Schraube entfernen, die Abdeckung anheben und die Schutzfolie von den thermischen Klebepads entfernen.

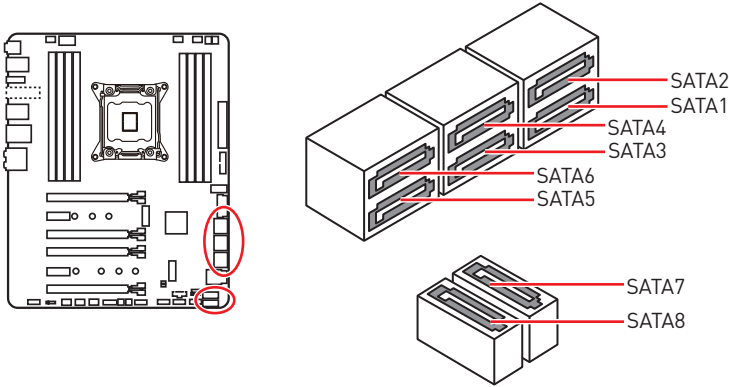


Wichtig

Falls Sie die M.2 FROZR nicht benötigen, können Sie diese problemlos entfernen.

SATA1~8: SATA 6Gb/s Anschlüsse

Dieser Anschluss basiert auf der Hochgeschwindigkeitsschnittstelle SATA 6Gb/s. Pro Anschluss kann ein SATA Gerät angeschlossen werden.



Wichtig

- Knicken Sie das SATA-Kabel nicht in einem 90° Winkel. Datenverlust könnte die Folge sein.
- SATA-Kabel haben identische Stecker an beiden Enden. Es wird empfohlen den flachen Stecker auf dem Motherboard einstecken.

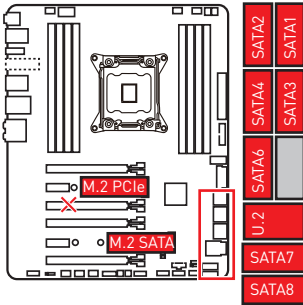
Tabelle der PCI_E3-/ U.2-/ M.2-/ SATA-Gerätekombination

Steckplatz	Kombination							
	✓	Leer	✓	Leer	✓	Leer	✓	Leer
PCI_E3	✓	Leer	✓	Leer	✓	Leer	✓	Leer
U2_1	—	✓	—	✓	—	✓	—	✓
M2_1	PCIe		SATA		SATA		PCIe	
M2_2	PCIe		SATA		PCIe		SATA	
SATA1	✓	—	—	—	—	—	—	✓
SATA2	✓	—	✓	—	✓	—	✓	—
SATA3	✓	—	✓	—	✓	—	✓	—
SATA4	✓	—	✓	—	✓	—	✓	—
SATA5	—	—	—	—	—	—	—	—
SATA6	—	—	✓	—	—	—	—	✓
SATA7	—	—	✓	—	—	—	—	✓
SATA8	—	—	✓	—	—	—	—	✓

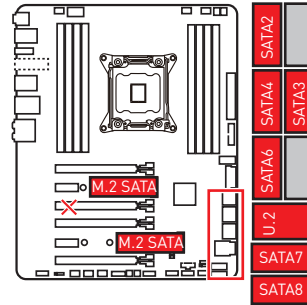
(SATA: M.2 SATA SSD, PCIe: M.2 PCIe SSD, ✓: Verfügbar, —: Nicht verfügbar)

M.2 Steckplätze mit Beispielen zu den verschiedenen Kombinationsmöglichkeiten

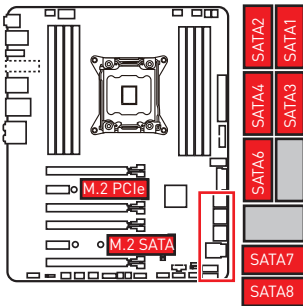
1xU.2+ 1xM.2 PCIe+ 1xM.2 SATA+ 7xSATA



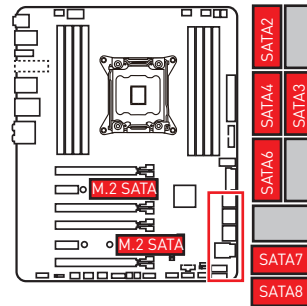
1xU.2+ 2xM.2 SATA+ 6xSATA



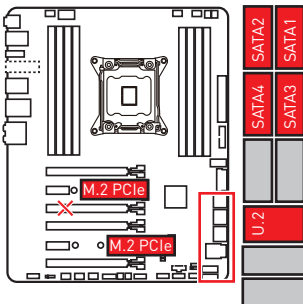
1xM.2 PCIe+ 1xM.2 SATA+ 7xSATA



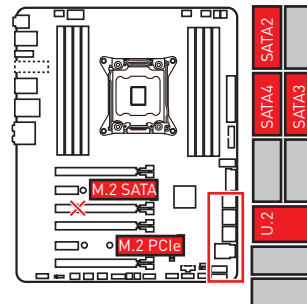
2xM.2 SATA+ 6xSATA



1xU.2+ 2xM.2 PCIe+ 4xSATA

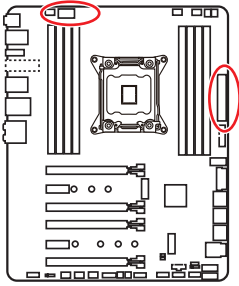


1xU.2+ 1xM.2 SATA+ 1xM.2 PCIe+ 3xSATA



CPU_PWR1, ATX_PWR1: Stromanschlüsse

Mit diesen Anschlüssen verbinden Sie die ATX Stromstecker.



1	Ground	5	+12V
2	Ground	6	+12V
3	Ground	7	+12V
4	Ground	8	+12V

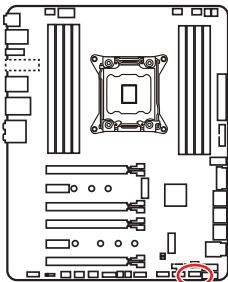
1	+3.3V	13	+3.3V
2	+3.3V	14	-12V
3	Ground	15	Ground
4	+5V	16	PS-ON#
5	Ground	17	Ground
6	+5V	18	Ground
7	Ground	19	Ground
8	PWR OK	20	Res
9	5VSB	21	+5V
10	+12V	22	+5V
11	+12V	23	+5V
12	+3.3V	24	Ground

Wichtig

Stellen Sie sicher, dass alle Anschlüsse mit den richtigen Anschlüssen des Netzteils verbunden sind, um einen stabilen Betrieb der Hauptplatine sicherzustellen.

VRAID1: Virtual RAID on CPU Connector

Mit diesem Anschluss können Sie ein VROC (Virtual RAID on CPU) Tastenmodul anschließen. Aktivieren Sie bitte die VROC-Funktion mit dem Treiber der Intel® RSTe (Intel® Rapid Storage Technology Enterprise).



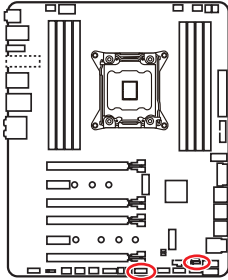
1	Ground	2	VCC3
3	Ground	4	SATA_RAID_KEY

Wichtig

Das VROC-Modul muss separat erworben werden.

JFP1, JFP2: Frontpanel-Anschlüsse

Diese Anschlüsse verbinden die Schalter und LEDs des Frontpanels.

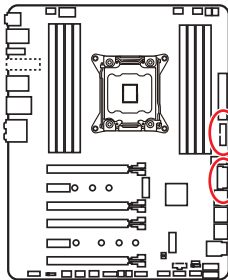


1	HDD LED +	2	Power LED +
3	HDD LED -	4	Power LED -
5	Reset Switch	6	Power Switch
7	Reset Switch	8	Power Switch
9	Reserved	10	No Pin

1	Speaker -	2	Buzzer +
3	Buzzer -	4	Speaker +

JUSB3, JUSB4: USB 3.1 Gen1 Anschlüsse

Mit diesen Anschlüssen können Sie die USB 3.1 Gen1 Anschlüsse auf dem Frontpanel verbinden.



1	Power	11	USB2.0+
2	USB3_RX_DN	12	USB2.0-
3	USB3_RX_DP	13	Ground
4	Ground	14	USB3_TX_C_DP
5	USB3_TX_C_DN	15	USB3_TX_C_DN
6	USB3_TX_C_DP	16	Ground
7	Ground	17	USB3_RX_DP
8	USB2.0-	18	USB3_RX_DN
9	USB2.0+	19	Power
10	NC	20	No Pin

Wichtig

Bitte beachten Sie, dass Sie die mit „Stromführende Leitung“ und „Erdleitung“ bezeichneten Pins korrekt verbinden müssen, ansonsten kann es zu Schäden kommen.

Ladegerätanschluss

Der **JUSB4** Anschluss ist ein Ladegerätanschluss, mit dem Sie die Ladegeschwindigkeit Ihres Smartphones oder anderen USB-betriebenen Geräten erhöhen. Der Ladegerätanschluss ist eine vom Mainboard-Chip gesteuerte Hardware, die auch im Ruhezustand, Standby- oder im ausgeschalteten Modus Geräte aufladen kann. Wenn Sie den Computer in Windows® starten, müssen Sie die MSI® SUPER CHARGER Anwendung installieren, um den Lademodus EIN/AUSZUSCHALTEN.



Video Demonstration

In diesem Video erfahren Sie, wie das MSI Super Charger funktioniert.
<http://youtu.be/FCyjr5Nb0w>

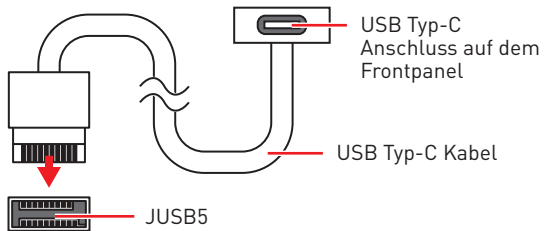
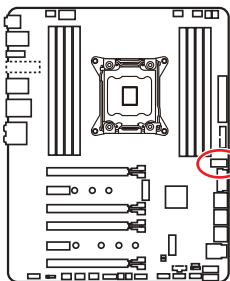


Wichtig

Wenn der Lademodus aktiviert ist, können Sie keine Daten über die Ladebuchse synchronisieren.

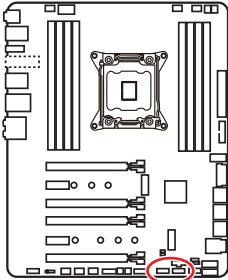
JUSB5: USB 3.1 Gen2 Typ-C Anschluss

Mit diesem Anschluss können Sie den USB 3.1 Gen2 Typ-C Anschluss auf dem Frontpanel verbinden. Der Anschluss verfügt über ein besonders sicheres Design. Wenn Sie das Kabel anschließen, müssen Sie es in der entsprechenden Ausrichtung verbinden.



JUSB1~2: USB 2.0 Anschlüsse

Mit diesen Anschlüssen können Sie die USB 2.0 Anschlüsse auf dem Frontpanel verbinden.



1	VCC	2	VCC
3	USB0-	4	USB1-
5	USB0+	6	USB1+
7	Ground	8	Ground
9	No Pin	10	NC

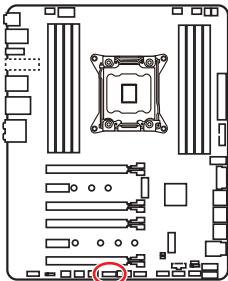


Wichtig

- Bitte beachten Sie, dass Sie die mit VCC (Stromführende Leitung) und Ground (Erdleitung) bezeichneten Pins korrekt verbinden müssen, ansonsten kann es zu Schäden kommen.
- Um ein iPad, iPhone und einen iPod über USB-Anschlüsse aufzuladen, installieren Sie bitte die MSI® SUPER CHARGER Software.

JTPM1: TPM Anschluss

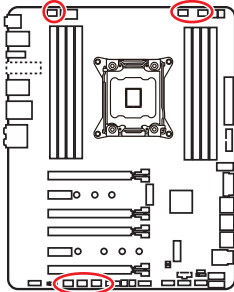
Dieser Anschluss wird für das TPM Modul (Trusted Platform Module) verwendet. Weitere Informationen über den Einsatz des optionalen TPM Modules entnehmen Sie bitte dem TPM Plattform Handbuch.



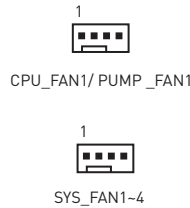
1	LPC Clock	2	3V Standby power
3	LPC Reset	4	3.3V Power
5	LPC address & data pin0	6	Serial IRQ
7	LPC address & data pin1	8	5V Power
9	LPC address & data pin2	10	No Pin
11	LPC address & data pin3	12	Ground
13	LPC Frame	14	Ground

CPU_FAN1, PUMP_FAN1, SYS_FAN1~4: Stromanschlüsse für Lüfter

Diese Anschlüsse können im PWM (Pulse Width Modulation) Modus oder Spannungsmodus betrieben werden. Im PWM-Modus bieten die Lüfteranschlüsse konstante 12V Ausgang und regeln die Lüftergeschwindigkeit per Drehzahlsteuersignal. Im DC-Modus bestimmen die Lüfteranschlüsse die Lüftergeschwindigkeit durch Ändern der Spannung. Wenn Sie ein 3-Pin (Non-PWM) Lüfter an einen PWM-Modus Lüfteranschluss anschließen, läuft der Lüfter mit höchster Drehzahl und kann unangenehm laut werden. Folgen Sie den folgenden Anweisungen, um den PWM- oder DC-Modus auszuwählen.



Lüfteranschlüsse mit automatischer Erkennung



! Wichtig

Sie können unter **BIOS > HARDWARE MONITOR** zwischen dem PWM- und DC-Modus umschalten und die Lüfterdrehzahl ändern. Überprüfen Sie die ordnungsgemäße Funktion der Lüfter nach dem Umschalten des PWM-/ DC-Modus.

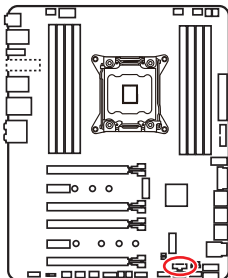
Pin-Belegung der Lüfteranschlüsse

Pin-Belegung des PWM-Modus			
1	Ground	2	+12V
3	Sense	4	Speed Control Signal

Pin-Belegung des DC-Modus			
1	Ground	2	Voltage Control
3	Sense	4	NC

JTBT1: Anschluss für Thunderbolt-Erweiterungskarte

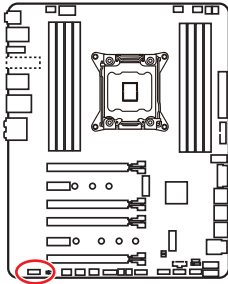
Mit diesem Anschluss können Sie eine Ein-/Ausgang der Thunderbolt-Erweiterungskarte anschließen.

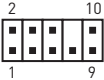


1			
1	FORCE_PWR	2	SCI_EVENT
3	SLP_S3#	4	SLP_S5#
5	Ground		

JAUD1: Audioanschluss des Frontpanels

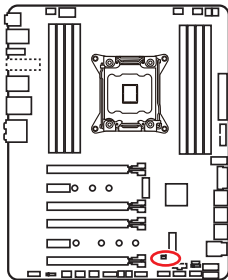
Dieser Anschluss ermöglicht den Anschluss von Audiobuchsen eines Frontpanels.



			
1	MIC L	2	Ground
3	MIC R	4	NC
5	Head Phone R	6	MIC Detection
7	SENSE_SEND	8	No Pin
9	Head Phone L	10	Head Phone Detection

JC11: Gehäusekontaktanschluss

Dieser Anschluss wird mit einem Kontaktschalter verbunden.




Normal
(Standardwert)


Löse den
Gehäuseeingriff aus

Gehäusekontakt-Detektor verwenden

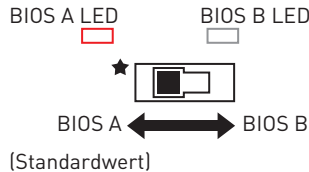
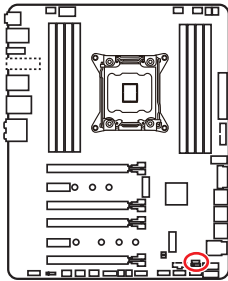
1. Schließen Sie den **JC11**-Anschluss am Gehäusekontakt-Schalter/ Sensor am Gehäuse an.
2. Schließen Sie die Gehäuseabdeckung.
3. Gehen Sie zu **BIOS > SETTINGS > Security > Chassis Intrusion Configuration**.
4. Stellen Sie **Chassis Intrusion** auf **Enabled**.
5. Drücken Sie **F10** zum Speichern und Beenden und drücken Sie dann die **Enter**-Taste, um **Ja** auszuwählen.
6. Bei eingeschaltetem Computer wird eine Warnmeldung auf dem Bildschirm angezeigt, wenn die Gehäuseabdeckung wieder geöffnet wird.

Gehäusekontakt-Warnung zurücksetzen

1. Gehen Sie zu **BIOS > SETTINGS > Security > Chassis Intrusion Configuration**.
2. Stellen Sie **Chassis Intrusion** auf **Reset**.
3. Drücken Sie **F10** zum Speichern und Beenden und drücken Sie dann die **Enter**-Taste, um **Ja** auszuwählen.

BIOS_SW1: Multi-BIOS Schalter

Das Motherboard hat zwei eingebaute BIOS ROMs (bezeichnet als A und B, Standard ist BIOS ROM A). Falls ein BIOS abgestürzt ist, können Sie durch Verschieben des Schalters zum zweiten BIOS umschalten, um zu starten.



BIOS wiederherstellen

Wenn ein BIOS-Update fehlgeschlagen ist und das System nicht gestartet werden kann, können Sie die folgenden Schritte ausführen, um das BIOS wiederherzustellen. Vor Wiederherstellung laden Sie bitte die neueste BIOS-Version, die dem Motherboard-Modell entspricht, von der offiziellen MSI Website herunter. Und speichern Sie die BIOS-Datei im Root-Verzeichnis des USB-Flash-Speichers.

1. Schalten Sie den Computer aus.
2. Wechseln Sie in den normalen BIOS ROM mit dem **Multi-BIOS-Schalter**.
3. Schließen das USB-Flashlaufwerk an den Computer an.
4. Schalten Sie den Computer ein und drücken Sie während des POST-Vorgangs die Taste **Del (Entf)**, um das BIOS zu öffnen.
5. Gehen Sie zu **BIOS > M-FLASH** und klicken Sie auf **Yes (Ja)**, um das System neu zu starten. Rufen Sie den Flash-Modus auf.
6. Wählen Sie die BIOS-Datei zur Durchführung des BIOS-Aktualisierungsprozesses aus.
7. Setzen Sie den Schalter auf das ausgefallene BIOS mit dem **Multi-BIOS-Schalter** um und klicken Sie auf **Yes (Ja)**, um das BIOS wiederherzustellen.
8. Nachdem der BIOS-Wiederherstellungsprozess vollständig ist, startet das System automatisch neu.

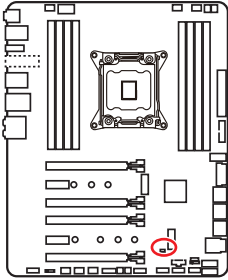


Wichtig

- Bitte schalten Sie den Multi-BIOS-Schalter nicht um, während das System im Betrieb ist.
- Sie können auch das **LIVE UPDATE** oder **BIOS FLASHBACK+** Utility verwenden, um das BIOS zu flashen. Für weitere Erläuterungen verweisen wir Sie auf den BIOS-Bereich dieses Handbuchs.

JBAT1: Clear CMOS Steckbrücke (Reset BIOS)

Der Onboard CMOS Speicher (RAM) wird durch eine externe Spannungsversorgung durch eine Batterie auf dem Motherboard versorgt, um die Daten der Systemkonfiguration zu speichern. Wenn Sie die Systemkonfiguration löschen wollen, müssen Sie die Steckbrücke für kurze Zeit umsetzen.



Daten beibehalten
(Standardwert)



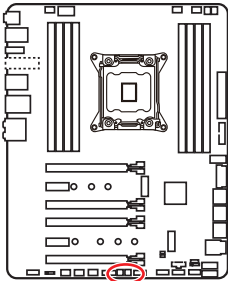
CMOS-Daten
löschen/ Reset
des BIOS

Rücksetzen des BIOS auf Standardwerte

1. Schalten Sie den Computer ab und ziehen Sie das Netzkabel ab.
2. Verwenden Sie eine Steckbrücke, um JBAT1 für 5-10 Sekunden kurzzuschließen.
3. Entfernen Sie die Steckbrücke von JBAT1.
4. Stecken Sie das Kabel Ihres Computers in die Steckdose hinein und schalten Sie den Computer ein.

POWER1, RESET1: Power-Taste, Reset-Taste

Mit dieser Power-Taste können Sie den Computer einschalten. Mit der Reset-Taste können Sie den Computer zurücksetzen.



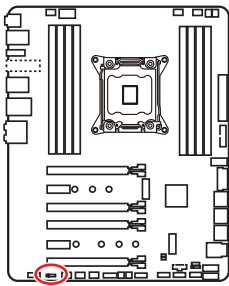
Power-Taste



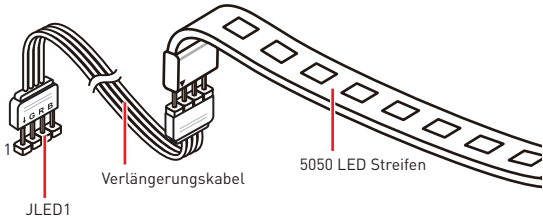
Reset-Taste

JLED1: RGB LED Anschluss

Mit diesem Anschluss können Sie den 5050 RGB-LED-Streifen anschließen.



1			
1	+12V	2	G
3	R	4	B



Video-Demonstration

In diesem Video erfahren Sie, wie Sie die 5050 RGB LED Streifen am RGB-LED-Anschluss anschließen können.

<https://youtu.be/CqNHyaDzd2Q>

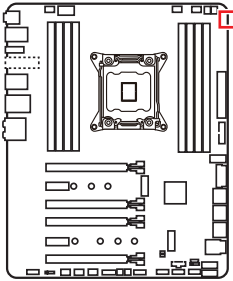
Wichtig

- Dieser Anschluss unterstützt die 5050 RGB Mehr-Farb-LED-Streifen (12V/R/G/B) mit der maximalen Leistung von 3A (12V). Beachten Sie bitte, dass die Länge des LED-Streifens maximal 2 Meter betragen darf um eine Verdunkelung der LED zu verhindern.
- Schalten Sie die Stromversorgung aus und ziehen Sie das Netzkabel ab, bevor Sie die RGB-LED-Streifen ein- und ausbauen.
- Bitte verwenden Sie die MSI-Software zur Steuerung des LED-Leuchtbereichs.

Onboard-LEDs

EZ Debug LEDs

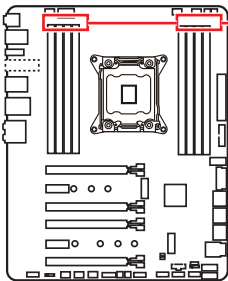
Diese LEDs zeigen den Status der Hauptkomponenten während des Boot-Vorgangs an. Im Falle eines Fehlers, leuchtet die entsprechende LED bis zur Lösung des Problems vorübergehend dauerhaft.



- CPU** - CPU wird nicht erkannt oder ist fehlerhaft.
- DRAM** - DRAM wird nicht erkannt oder ist fehlerhaft.
- VGA** - GPU wird nicht erkannt oder ist fehlerhaft.
- BOOT** - Boot-Gerät wird nicht erkannt oder ist fehlerhaft.

DIMM LEDs

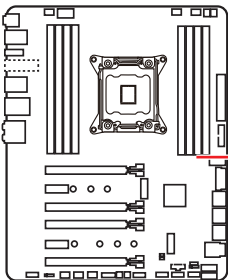
Diese LEDs zeigen an, dass die Speichermodule installiert sind.



DIMM LEDs

XMP LED

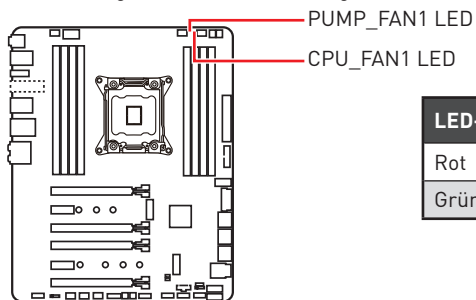
Diese LED zeigt an, der XMP (Extreme Memory Profile) Modus aktiviert ist.



XMP LED

Lüfter LEDs

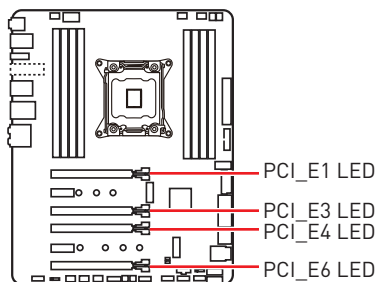
Die LEDs zeigen den Lüftersteuerungsmodus an.



LED-Farbe	Lüftersteuerungsmodus
Rot	PWM Modus
Grün	DC Modus

PCIe x16 Steckplatz LEDs

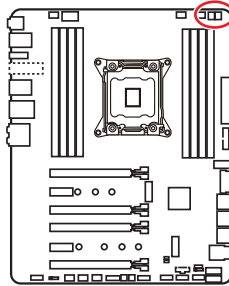
Die LED zeigen den Status der PCIe x16-Steckplätze an.



LED-Farbe	Status des PCIe-Steckplatzes
Rot	x16
Weiß	x8, x4, x1

Debug-Code-LED

Die Debug-Code-LED-Anzeige zeigt den Fortschritt und das Fehlercode während und nach dem POST-Vorgang an. Einzelheiten entnehmen Sie bitte der Debug-Code LED-Tabelle.



Hexadezimalzeichen

Hexadezimal	0	1	2	3	4	5	6	7	8	9	A	B	C	D	E	F
Debug-Code LED-Anzeige	0	1	2	3	4	5	6	7	8	9	A	b	C	d	E	F

Boot-Phasen

Sicherheit (SEC) – Low-Level-Initialisierung beim Start

Pre-EFI-Initialisierung (PEI) – Speicher-Initialisierung

Ausführungsumgebung des Treibers (DXE) – primäre Hardware-Initialisierung

Auswahl des Boot-Gerätes (BDS) – Systemeinstellungen, Pre-OS Benutzer-Interface & Auswahl eines Boot-Gerätes (CD/DVD, HDD, USB, Netzwerk, Gehäuse, ...)

Debug-Code-LED-Tabelle

SEC-Fortschritt-Codes

01	Computerstart. Reset Typ-Erkennung (Soft/Hard-Reset)
02	AP-Initialisierung vor dem Mikrocode-Ladevorgang
03	System-Agent-Initialisierung vor dem Mikrocode- Ladevorgang
04	PCH-Initialisierung vor dem Mikrocode-Ladevorgang
06	Mikrocode-Ladevorgang
07	Nach der Mikrocode-Ladung initialisiert die AP
08	AP-Initialisierung nach dem Mikrocode-Ladevorgang

09	PCH-Initialisierung nach dem Mikrocode-Ladevorgang
0B	Cache-Initialisierung

SEC-Fehler-Codes

0C - 0D	Reserviert für zukünftige AMI SEC Fehler-Codes
0E	Der Microcode wurde nicht gefunden
0F	Der Microcode wurde nicht geladen

PEI-Fortschritt-Codes

10	PEI-Kern wird gestartet
11	Pre-Memory CPU-Initialisierung wird gestartet
12 - 14	Pre-Memory CPU-Initialisierung (CPU-spezifisch)

15	Pre-Memory System-Agent-Initialisierung wird gestartet
16 - 18	Pre-Memory System-Agent-Initialisierung [System-Agent spezifisch]
19	Pre-Memory PCH- Initialisierung wird gestartet
1A - 1C	Pre-Memory PCH- Initialisierung [PCH-Modul spezifisch]
2B	Speicher-Initialisierung. Serial Presence Detect (SPD) liest die Daten aus
2C	Speicher-Initialisierung. Speicher-Erfassung
2D	Speicher-Initialisierung. Programmierung des Speicher-Timings
2E	Speicher-Initialisierung. Konfiguration des Speichers
2F	Speicher-Initialisierung (sonstige)
31	Speicher ist installiert
32	CPU Post-Memory-Initialisierung wird gestartet
33	CPU Post-Memory-Initialisierung. Cache-Initialisierung
34	CPU Post-Memory-Initialisierung. Application Processor (AP) Initialisierung
35	CPU Post-Memory-Initialisierung. Boot Strap Prozessorauswahl (BSP)
36	CPU Post-Memory-Initialisierung. System Management Mode (SMM) Initialisierung
37	Post-Memory System-Agent-Initialisierung wird gestartet
38 - 3A	Post-Speicher-System-Agent Initialisierung [System Agent spezifisch]
3B	Post-Memory PCH-Initialisierung wird gestartet
3C - 3E	Post-Memory PCH-Initialisierung [PCH-Modul spezifisch]
4F	DXE IPL wird gestartet

PEI-Fehler-Codes

50	Die Speicher-Initialisierung ist fehlgeschlagen. Ungültiger Speichertyp oder nicht kompatible Speichergeschwindigkeit
51	Die Speicher-Initialisierung ist fehlgeschlagen. Die SPD-Lesung ist fehlgeschlagen

52	Die Speicher-Initialisierung ist fehlgeschlagen. Ungültige Speichergröße oder nicht abgestimmte Speichermodule
53	Die Speicher-Initialisierung ist fehlgeschlagen. Kein nutzbarer Speicher erkannt
54	Unspezifizierte Speicher-Initialisierungsfehler
55	Speicher ist nicht installiert
56	Ungültiger CPU-Typ oder Geschwindigkeit
57	Inkompatibilität der CPU
58	Der CPU-Selbsttest ist fehlgeschlagen oder es liegt ein CPU-Cache-Fehler vor
59	CPU Micro-Code wurde nicht gefunden oder das Update des Micro-Codes ist fehlgeschlagen
5A	Fehler in interner CPU
5B	Reset-PPI ist nicht verfügbar
5C - 5F	Reserviert für zukünftige AMI-Fehlercodes

DXE-Fortschritt-Codes

60	DXE Core wird gestartet
61	NVRAM-Initialisierung
62	Installation des PCH Runtime Services
63	CPU DXE-Initialisierung wird gestartet
64 - 67	CPU DXE-Initialisierung (CPU modulspezifisch)
68	PCI Host Bridge Initialisierung
69	System Agent DXE Initialisierung wird gestartet
6A	System Agent DXE SMM Initialisierung wird gestartet
6B - 6F	System Agent DXE Initialisierung (modulspezifischer System Agent)
70	PCH DXE Initialisierung wird gestartet
71	PCH DXE SMM Initialisierung wird gestartet
72	PCH-Geräte Initialisierung
73 - 77	PCH DXE Initialisierung (PCH modulspezifisch)
78	ACPI Modul Initialisierung
79	CSM Initialisierung

7A - 7F	Reserviert für zukünftige AMI-DXE-Codes
90	Boot Device Selection (BDS) Phase wird gestartet
91	Treiber-Verbindung wird gestartet
92	PCI Bus Initialisierung wird gestartet
93	PCI Bus Hot Plug Controller Initialisierung
94	PCI Bus Enumeration 32
95	PCI Bus Request Resources
96	PCI Bus Assign Resources
97	Verbindung der Konsolen-Ausgangsgeräte
98	Verbindung der Konsolen-Eingangsgeräte
99	Super-I/O-Initialisierung
9A	USB-Initialisierung wird gestartet
9B	USB-Rücksetzung
9C	USB-Erkennung
9D	USB-Aktivierung
9E-9F	Reserviert für zukünftige AMI-Codes
A0	IDE Initialisierung wird gestartet
A1	IDE-Rücksetzung
A2	IDE-Erkennung
A3	IDE-Aktivierung
A4	SCSI Initialisierung wird gestartet
A5	SCSI-Rücksetzung
A6	SCSI-Erkennung
A7	SCSI-Aktivierung
A8	Bereite Kennwortüberprüfung vor
A9	Beginn der Einstellung
AB	Warten auf Eingabe
AD	Bereit für Boot-Event
AE	Legacy Boot Event
AF	Beendet das Boot-Services-Event
B0	Laufzeit stellt virtuelle MAP Start-Adresse ein
B1	Laufzeit stellt virtuelle MAP End-Adresse ein
B2	Legacy Option ROM Initialisierung
B3	System-Rücksetzung

B4	USB Hot-Plug
B5	PCI-Bus Hot-Plug
B6	NVRAM aufräumen
B7	Setzt die Konfiguration zurück (setzt die NVRAM-Einstellungen zurück)
B8 - BF	Reserviert für zukünftige AMI-Codes

DXE-Fehler-Codes

D0	CPU-Initialisierungs-Fehler
D1	System-Agent-Initialisierungs-Fehler
D2	PCH-Initialisierungs-Fehler
D3	Einige der Architektur-Protokolle sind nicht verfügbar
D4	PCI-Ressourcenzuordnungsfehler. Keine ausreichenden Ressourcen verfügbar.
D5	Kein Platz für Legacy-Option-ROM
D6	Kein Konsolen-Ausgangsgerät gefunden
D7	Kein Konsolen-Eingangsgeräte gefunden
D8	Ungültiges Passwort
D9	Fehler beim Laden der Boot-Option (Load-Image gibt Fehler zurück)
DA	Boot Option ist fehlgeschlagen (Start-Image gibt Fehler zurück)
DB	Flash-Update ist fehlgeschlagen
DC	Das Reset-Protokoll steht nicht zur Verfügung

S3 Wiederaufnahme Fortschritt-Codes

E0	S3-Wiederaufnahmen wird gestartet (S3-Wiederaufnahmen-PPI wird von DXE IPL aufgerufen)
E1	Führt das S3-Boot-Skript aus
E2	Veröffentlicht Video neu
E3	OS S3 Ruhezustand
E4 - E7	Reserviert für zukünftige AMI-Fortschrittscodes

S3 Wiederaufnahme Fehler-Codes

E8	Das S3-Wiederaufnahmen ist fehlgeschlagen
E9	Das S3-Wiederaufnahmen PPI wurde nicht gefunden

EA	Boot-Skript-Fehler bei der S3-Wiederaufnahmen
EB	S3 OS Ruhezustand-Fehler
EC - EF	Reserviert für zukünftige AMI-Fehlercodes

Wiederherstellung Fortschritt-Codes

F0	Wiederherstellung ausgelöst durch die Firmware (Auto recovery)
F1	Wiederherstellung ausgelöst durch den Benutzer (Forced recovery)
F2	Der Wiederherstellungsprozess wurde gestartet
F3	Das Image der Wiederherstellung-Firmware wurde gefunden
F4	Das Image der Wiederherstellung-Firmware wurde geladen
F5 - F7	Reserviert für zukünftige AMI-Fortschrittscodes

Wiederherstellung Fehler-Codes

F8	Wiederherstellung-PPI ist nicht verfügbar
F9	Wiederherstellung-Kapsel ist nicht gefunden
FA	Ungültige Wiederherstellung-Kapsel

FB - FF	Reserviert für zukünftige AMI-Fehlercodes
----------------	---

ACPI Status-Codes

Nach dem Start erscheinen die folgende Codes und versetzen das Betriebssystem in den ACPI-Modus.

01	Das System geht in den Ruhezustand S1
02	Das System geht in den Ruhezustand S2
03	Das System geht in den Ruhezustand S3
04	Das System geht in den Ruhezustand S4
05	Das System geht in den Ruhezustand S5
10	Das System beendet den Ruhezustand S1
20	Das System beendet den Ruhezustand S2
30	Das System beendet den Ruhezustand S3
40	Das System beendet den Ruhezustand S4
AC	Das System hat auf den ACPI-Modus umgestellt. Interrupt-Controller ist im PIC-Modus.
AA	Das System hat auf den ACPI-Modus umgestellt. Interrupt-Controller ist im APIC-Modus.

CPU-Temperatur

00 - 99	Zeigt die aktuelle CPU Temperatur sobald das System vollständig in das OS geladen wurde.
----------------	--

Aktualisierung der LED-Firmware

Die Aktualisierung der LED-Firmware kann zur Verbesserung der Leuchteffekte beitragen.

LED-Firmware-Aktualisierungsschritte:

1. Installieren und starten Sie „MSI LIVE UPDATE 6“.
2. Wählen Sie **BIOS Update** aus.
3. Klicken Sie auf die **Scan** Taste. Wenn die LED-Firmware veraltet ist, erscheint die neue Softwareversion in der Liste.
4. Wählen Sie den Eintrag in der Liste aus.



5. Klicken Sie auf die **Total installer** Taste, um die neueste Softwareversion zu laden und zu installieren.
6. Nachdem der Prozess abgeschlossen ist, müssen Sie den Computer zum Aktivieren der LED-Firmware neu starten.

BIOS-Setup

Die Standardeinstellungen bieten die optimale Leistung für die Systemstabilität unter Normalbedingungen. Sie sollten **immer die Standardeinstellungen behalten**, um mögliche Schäden des Systems oder Boot-Fehler zu vermeiden, außer Sie besitzen ausreichende BIOS Kenntnisse.



Wichtig

- BIOS Funktionen werden für eine bessere Systemleistung kontinuierlich aktualisiert. Deswegen können die Beschreibungen leicht von der letzten Fassung des BIOS abweichen und sollten demnach nur als Anhaltspunkte dienen. Für eine Beschreibung der BIOS Funktionen rufen Sie die **HELP** Informationstafel aus.
- Die Bilder in diesem Kapitel stellen lediglich Referenzen dar und können von dem von Ihnen erworbenen Produkt abweichen.

Öffnen des BIOS Setups

Befolgen Sie bitte die nachfolgende Schritte, um das BIOS Setup aufzurufen.

- Während des BOOT-Vorgangs drücken Sie die Taste **ENTF**, wenn die Meldung **Press DEL key to enter Setup Menu, F11 to enter Boot Menu** erscheint.
- Verwenden Sie die **MSI FAST BOOT** Anwendung. Klicken Sie die **GO2BIOS**-Taste und drücken Sie **OK**. Das System startet neu und geht direkt ins BIOS.



Klicken Sie auf **GO2BIOS**

Funktionstasten

- F1:** Allgemeine Hilfe
 - F2:** Hinzufügen/Entfernen eines Favoritenpunkts
 - F3:** Öffnen des Favoriten Menüs
 - F4:** Öffnen des Menüs CPU-Spezifikationen
 - F5:** Öffnen des Memory-Z Menüs
 - F6:** Laden der ursprünglichen Setup-Standardwerte
 - F7:** Wechselt zwischen dem Erweiterten-Modus und EZ-Modus
 - F8:** OC-Profil wird vom USB-Stick geladen
 - F9:** OC-Profil wird auf einem USB-Stick gespeichert
 - F10:** Speichern oder Zurücksetzen der Änderungen*
 - F12:** Macht einen Screenshot und speichert auf einen FAT/FAT32-USB-Laufwerk.
- Strg+F:** Öffnet die Suchseite

* Beim Drücken der F10 Taste wird das Fenster zum Speichern der Einstellungen angezeigt. Wählen Sie **Yes**, um die Wahl zu bestätigen, oder **No**, um die derzeitige Einstellung beizubehalten.

Reset des BIOS

Sie können die Werkseinstellung wieder herstellen, um bestimmte Probleme zu lösen. Es gibt verschiedene Möglichkeiten, um das BIOS zurückzusetzen:

- Öffnen Sie das BIOS und drücken Sie **F6**, um optimierten Einstellungen zu laden.
- Schließen Sie die **Clear CMOS** Steckbrücke/ Taste an das Motherboard an.



Wichtig

Bitte lesen Sie für Informationen zum BIOS-Reset im Bereich „**Clear CMOS** Steckbrücke/ Taste“ nach.

Aktualisierung des BIOS

Aktualisierung des BIOS mit dem M-FLASH-Programm

Vorbereitung:

Laden Sie bitte die neueste BIOS Version, die dem Motherboard-Modell entspricht, von der offiziellen MSI Website herunter und speichern Sie die BIOS-Datei auf USB-Flash-Laufwerk.

BIOS-Aktualisierungsschritte:

1. Drücken Sie während des POST-Vorgangs die Taste (Entf), um das BIOS zu öffnen.
2. Schließen das USB-Flashlaufwerk mit der BIOS-Datei an den Computer.
3. Wählen Sie die Registerkarte **M-FLASH** und klicken Sie auf **Yes (Ja)**, um das System neu zu starten. Rufen Sie den Flash-Modus auf.
4. Wählen Sie die BIOS-Datei zur Durchführung des BIOS-Aktualisierungsprozesses aus.
5. Nachdem das Flashen des BIOS vollständig ist, startet das System automatisch neu.

Aktualisierung des BIOS mit Live Update 6

Vorbereitung:

Stellen Sie sicher, dass zuvor die LAN-Treiber installiert wurden und eine Internetverbindung eingerichtet ist.

BIOS-Aktualisierungsschritte:

1. Installieren und starten Sie „MSI LIVE UPDATE 6“.
2. Wählen Sie **BIOS Update** aus.
3. Klicken Sie auf die **Scan** Taste.
4. Klicken Sie auf dieses **Download**-Icon, um die neueste BIOS-Datei zu laden und zu installieren.
5. Klicken Sie auf **Next (Weiter)** und wählen Sie **In Windows Mode** aus. Und klicken dann auf **Next (Weiter)** und **Start (Starten)**, um das BIOS-Update zu starten.
6. Nachdem das Flashen des BIOS vollständig ist, startet das System automatisch neu.

Aktualisierung des BIOS mit BIOS FLASHBACK+

Vorbereitung:

Laden Sie bitte die neueste BIOS Version, die das Modell des Motherboards entspricht, von der offiziellen MSI Website und benennen die BIOS-Datei im **MSI.ROM** um. Und speichern Sie die **MSI.ROM**-Datei im Root-Verzeichnis des USB-Flash-Speichers.

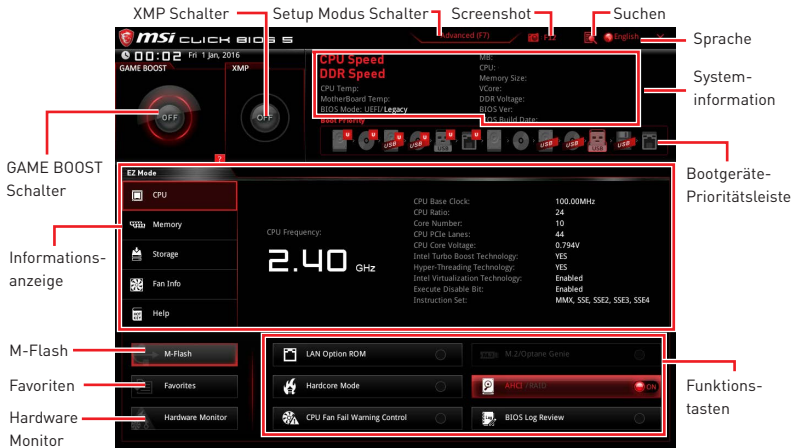


*Nur USB-Flashlaufwerke im FAT32-Format unterstützen einen BIOS-Update per **BIOS FLASHBACK+**.*

1. Verbinden Sie die Stromversorgung an dem **CPU_PWR1**- und **ATX_PWR1**-Stecker. (Die Stromversorgung ist erforderlich.)
2. Stecken Sie das USB-Flashlaufwerk, das die MSI.ROM-Datei enthält, in dem Anschluss des BIOS FLASHBACK+ auf der Rückseite E/A des Panels ein.
3. Drücken Sie die Taste “BIOS FLASHBACK+”, um das BIOS zu flashen, nun beginnt die BIOS FLASHBACK+ LED zu blinken.
4. Nachdem das Flashen des BIOS vollständig ist, erlischt die BIOS FLASHBACK+ LED.

EZ Modus

Im EZ-Modus können Sie die Grundinformationen des Systems einsehen und grundlegende Einstellungen konfigurieren. Um sich die erweiterten BIOS-Einstellungen anzeigen zu lassen, aktivieren Sie bitte den Erweiterten Modus durch Drücken des **Setup Modus Schalter** oder der Funktionstaste **F7**.



- **GAME BOOST Schalter** - Klicken Sie den Schalter, um **GAME BOOST** für OC zu wechseln.



Wichtig

Bitte ändern Sie keine Werte im OC Menü und laden Sie keine Standardwerte während **GAME BOOST** aktiviert ist, um die optimale Leistung und Stabilität des Systems zu gewährleisten.

- **XMP Schalter** - Klicken Sie auf den inneren Kreis, um X.M.P. (Extreme Memory Profile) zu aktivieren/deaktivieren. Drehen Sie den äußeren Kreis, um ein X.M.P. Profil zu wählen. Dieser Schalter steht nur zur Verfügung, wenn die installierten Speichermodule die X.M.P. Technik unterstützen.
- **Setup Modus Schalter** - Mit dieser Registerkarte oder der **F7**-Taste können Sie zwischen dem Erweiterten-Modus und EZ-Modus wechseln.
- **Screenshot** - Wählen Sie diese Registerkarte oder betätigen Sie die **F12**-Taste, um einen Screenshot zu machen und auf einen FAT/FAT32-USB-Laufwerk zu speichern.
- **Suchen** - Klicken Sie auf diese Registerkarte oder die **Strg+F** Taste um die Suchseite anzuzeigen. Mit der Funktion können Sie durch Eingabe eines Suchbegriffs nach BIOS-Einträgen suchen. Bewegen Sie den Mauszeiger über einen freien Bereich und klicken Sie mit der rechten Maustaste, um die Suchseite zu schließen.



Wichtig

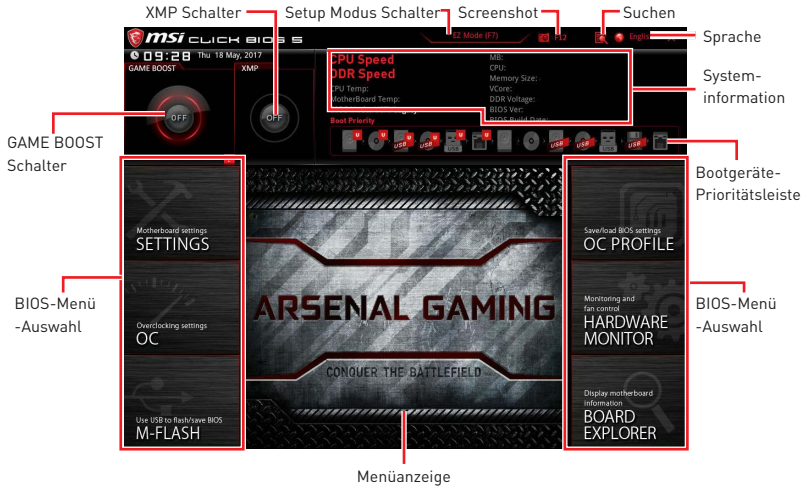
Auf der Suchseite stehen nur die **F6**-, **F10**- und **F12**-Funktionstasten zur Verfügung.

- **Sprache** - Hier können Sie die Sprache der BIOS-Einstellungen auswählen.
- **Systeminformationen** - Diese zeigt CPU/ DDR-Frequenz, CPU/ MB-Temperatur, MB/CPU-Typ, Speicherkapazität, CPU/ DDR-Spannung, BIOS-Version und Erstellungsdatum.

- **Boot-Geräte Prioritätsleiste** - Sie können die Gerätesymbole verschieben, um die Startreihenfolge zu ändern. Die Bootreihenfolge sind mit "hoch" (links) bis "niedrig" (rechts) bezeichnet.
- **Informationsanzeige** - Klicken Sie auf die Schaltfläche **CPU, Memory, Storage, Fan Info** und **Help** auf der linken Seite, um die jeweiligen Informationen anzuzeigen.
- **Funktionstasten** - Aktivieren oder deaktivieren Sie **LAN Option ROM, M.2/Optane Genie, Hardcore Mode, AHCI, RAID, CPU Fan Fail Warning Control** und **BIOS Log Review** durch Anklicken der zugehörigen Schaltfläche.
 - **Hardcore Mode** - Wenn die Funktion aktiviert ist, behält die CPU die volle Geschwindigkeit bei um die Systemleistung zu maximieren. Diese Funktion kann den Stromverbrauch erhöhen.
- **M-Flash** - Ein Klick auf diese Schaltfläche öffnet **M-Flash** mit dem Sie das BIOS mit einem USB-Flash-Laufwerk aktualisieren.
- **Hardware Monitor** - Ein Klick auf diese Schaltfläche öffnet das Menü des **Hardware Monitor** mit dem Sie die Lüfterdrehzahl in Prozent manuell steuern.
- **Favoriten** - Drücken Sie die **F3**-Taste, um das **Favoriten**-Menü aufzurufen. Hier können Sie Ihre persönliches BIOS-Menü erstellen, in dem Sie die häufig verwendeten oder favorisierten BIOS-Einstellungsoptionen auswählen können.
 - **Default HomePage** - Über diese Option können Sie ein BIOS-Menü (zum Beispiel: Einstellungen, Übertaktung, usw.) als BIOS Homepage auswählen.
 - **Favoriten 1~5** - Hier können Sie die häufig erwendeten oder favorisierten BIOS-Einstellungsoptionen auf einer Seite hinzufügen.
- **Um ein BIOS-Punkte zu einer Favoritenseite hinzufügen (Lieblingseinstellung 1~5)**
 1. Sie können die Maus nicht nur über einen Eintrag im BIOS-Menü sondern auch auf der Suchseite bewegen.
 2. Klicken Sie mit der rechten Maustaste oder drücken Sie die Taste **F2**.
 3. Wählen Sie die gewünschte Seite aus und klicken Sie auf **OK**.
- **Um ein BIOS-Punkte von Favoritenseite zu löschen**
 1. Bewegen Sie die Maus über einen BIOS-Eintrag auf einer Favoritenseite (Favoriten 1~5)
 2. Klicken Sie mit der rechten Maustaste oder drücken Sie die Taste **F2**.
 3. Wählen Sie **Delete** aus und klicken Sie auf **OK**.

Erweiterter Modus

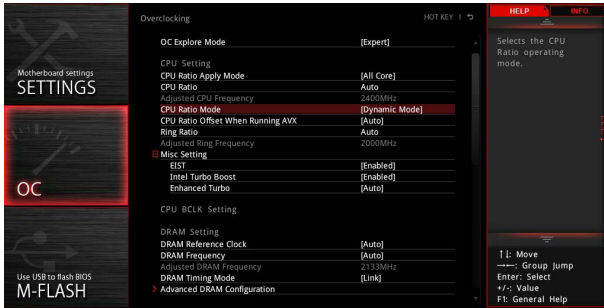
Drücken Sie den **Setup Modus Schalter** oder die Funktionstaste **F7**, um zwischen dem EZ-Modus und Erweiterten-Modus im BIOS-Setup zu wechseln.



- **GAME BOOST Schalter/ XMP Schalter/ Setup Modus Schalter/ Screenshot/ Sprache/ Systeminformation/ Boot-Geräte Prioritätsleiste** - Finden Sie die Informationen in den Beschreibungen der EZ Modus-Abschnitt.
- **BIOS-Menü-Auswahl** - Die folgenden Optionen stehen zur Verfügung.
 - **SETTINGS** - Mit diesem Menü können Sie die Parameter für Chipsatz, Boot-Geräte angeben.
 - **OC** - Hier können Sie die Frequenz und Spannung anpassen. Die Erhöhung der Frequenz kann eine bessere Leistung erreichen.
 - **M-FLASH** - M-Flash erlaubt es, das BIOS mit einem USB-Flash-Laufwerk zu aktualisieren.
 - **OC PROFILE** - In diesem Menü werden die verschiedenen Overclocking-Profile gespeichert.
 - **HARDWARE MONITOR** - Hier können Sie die Geschwindigkeiten der Lüfter anpassen und die Spannungen des Systems überwachen.
 - **BOARD EXPLORER** - Zeigt Ihnen Informationen über Geräte an, die an das Mainboard angeschlossen sind.
- **Menüanzeige** - Dieser Bereich ermöglicht die Konfiguration von BIOS Einstellungen.

OC Menü

In diesem Menü können Benutzer das BIOS anpassen und das Mainboard übertakten. Bitte führen Sie nur Änderungen durch, wenn Sie sich über das Ergebnis im Klaren sind. Sie sollten Erfahrung beim Übertakten haben, da Sie sonst das Motherboard oder Komponenten des Systems beschädigen können.



Wichtig

- Die Übertaktung ist nur für fortgeschrittene Benutzer zu empfehlen.
- Eine erfolgreiche Übertaktung ist nicht gewährleistet. Die Anwendung von Übertaktungsmaßnahmen kann zu Verlust der Garantie oder zur Beschädigung der Hardware führen.
- Falls Sie sich mit der Übertaktung nicht auskennen, empfehlen wir für einfaches Übertakten die **GAME BOOST** Funktion.

► OC Explore Mode [Normal]

Aktivieren oder deaktivieren Sie die Funktion, um die normale oder Expertenversion des OC-Einstellungen anzuzeigen.

[Normal] Bietet normale Übertaktungseinstellungen im BIOS-Setup.

[Expert] Bietet die erweiterten Übertaktungseinstellungen für den erfahrenen Benutzer, welche die Einstellungen im BIOS-Setup konfigurieren wollen.

Hinweis: Wir verwenden * als Symbol für die Übertaktungseinstellungen des Erweiterten Modus.

► CPU Ratio Apply Mode [All Core]*

Legt den Modus für den angepassten CPU-Multiplikator fest. Diese Option erscheint nur, wenn eine CPU installiert ist, die die Funktion **Turbo Boost** unterstützt.

[All Core /Alle Kerne] Aktiviert die Option **CPU Ratio**. Alle CPU-Kerne können mit der gleichen CPU Taktrate betrieben werden, die in **CPU Ratio** festgesetzt wurde.

[Per Core /Pro Kern] Aktiviert die Option **X-Core Ratio Limit**. Legt die CPU Taktrate für jeden Kern in **X-Core Ratio Limit** fest.

► CPU Ratio [Auto]

Legen Sie den CPU-Multiplikator fest, um die CPU-Taktfrequenzen zu bestimmen. Diese Option kann nur geändert werden, wenn der Prozessor diese Funktion unterstützt.

► Adjusted CPU Frequency

Zeigt die eingestellte Frequenz der CPU an. Es handelt sich um eine Anzeige – Änderungen sind nicht möglich.

► CPU Ratio Mode [Dynamic Mode]*

Wählen Sie den Betriebsmodus des CPU-Multiplikators. Diese Option wird angezeigt, wenn Sie den CPU-Multiplikator manuell einstellen.

[Fixed Mode]	Legt den CPU-Multiplikator fest.
[Dynamic Mode]	Der CPU-Multiplikator wird dynamisch je nach CPU-Belastung verändert.

► CPU Ratio Offset When Running AVX [Auto]

Legt einen Offset-Wert fest, um die Taktrate des CPU-Kerns zu reduzieren. Es könnte für die Wärmeableitung beim Betrieb des AVX-Instruction-Set hilfreich sein. Wenn die Einstellung auf [Auto] gesetzt ist, wird das BIOS diese Einstellungen automatisch konfigurieren. Diese Option wird angezeigt, wenn die CPU diese Funktion unterstützt.

► Ring Ratio [Auto]

Setzen Sie den Ring Ratio. Der erlaubte Wertebereich ist abhängig von der installierten CPU.

► Adjusted Ring Frequency

Zeigt die angepasste Ring Frequenz. Nur Anzeige – keine Änderung möglich.

► Misc Setting*

Drücken Sie die Enter-, + oder - Taste, um die folgenden 3 Punkte des CPU-Funktionen zu öffnen oder zu schließen.

► EIST [Enabled]*

Aktivieren oder deaktivieren Sie die Enhanced Intel® SpeedStep Technologie.

[Enabled]	Aktiviert EIST, um die CPU-Spannung und Taktfrequenz dynamisch anzupassen. Diese Funktion kann den durchschnittlichen Stromverbrauch und die durchschnittliche Hitzeentwicklung verringern.
-----------	---

[Disabled]	Deaktiviert EIST.
------------	-------------------

► Intel Turbo Boost [Enabled]*

Aktivieren oder deaktivieren Sie Intel® Turbo Boost. Diese Option wird angezeigt, wenn die installierte CPU diese Einstellungen unterstützt.

[Enabled]	Aktivieren Sie diese Funktion, um die CPU-Leistung automatisch zu erhöhen, wenn das System mehr Leistung benötigt.
-----------	--

[Disabled]	Deaktivieren Sie diese Funktion.
------------	----------------------------------

► **Enhanced Turbo [Auto]***

Aktivieren oder deaktivieren Sie die Enhanced Turbo Funktion für alle CPU-Kerne, um die CPU-Leistung zu steigern. Diese Option wird angezeigt, wenn die installierte CPU diese Einstellungen unterstützt.

- [Auto] Diese Einstellungen werden vom BIOS automatisch konfiguriert.
- [Enabled] Alle CPU-Kerne werden mit maximalem Turbo konfiguriert.
- [Disabled] Deaktivieren Sie diese Funktion.

► **Extreme Memory Profile (X.M.P.) [Disabled]**

Extreme Memory Profile (XMP) basieren auf Zertifizierungen für Speichermodule aus dem PC-Bereich. Aktivieren Sie die Funktion XMP oder wählen Sie ein Profil des Speichermoduls zum Übertakten aus. Diese Option steht zur Verfügung, wenn die installierten Speichermodule die XMP Technik unterstützen.

► **DRAM Reference Clock [Auto]***

Setzen Sie den DRAM-Referenztakt. Der erlaubte Wertebereich ist abhängig von der installierten CPU. Diese Option wird angezeigt, wenn die installierte CPU diese Einstellungen unterstützt.

► **DRAM Frequency [Auto]**

Setzen Sie die DRAM Frequenz. Bitte beachten Sie, dass ein zuverlässiges Übertaktungsverhalten nicht garantiert werden kann.

► **Adjusted DRAM Frequency**

Zeigt die Speicherfrequenz an. Nur Anzeige – keine Änderung möglich.

► **DRAM Timing Mode [Link]**

Wählt den Speicher-Timing-Modus aus.

- [Link] Ermöglicht die manuelle Konfigurieren des DRAM-Timing für alle Speicherkanäle.
- [UnLink] Ermöglicht die manuelle Konfigurieren des DRAM-Timing für die einzelnen Speicherkanäle.

► **Advanced DRAM Configuration**

Drücken Sie die **Eingabetaste <Enter>**, um das Untermenü aufzurufen. Der Anwender kann die Speicher-Timing für jeden Kanal des Speichers einstellen. Das System könnte nach dem Ändern der Speicher-Timings instabil werden oder nicht mehr booten. Wenn Instabilität auftritt, löschen Sie bitte die CMOS-Daten und stellen Sie die Standardeinstellungen wieder her. (Lesen Sie bitte den Abschnitt „Steckbrücke zur CMOS-Löschung/ Clear CMOS Taste“, um die CMOS-Daten zu löschen, und die Standardeinstellungen auf das BIOS zu laden.)

► **Memory Fast Boot [Auto]***

Aktivieren oder deaktivieren Sie die die Initiierung und Prüfung des Speichers für jeden Boot.

- [Auto] Diese Einstellungen werden vom BIOS automatisch konfiguriert.
- [Enabled] Der Vorgang der Initiierung und Prüfung des Hauptspeichers wird aus dem Archiv der ersten Initiierung imitiert um den Systemstart zu beschleunigen.
- [Disabled] Der Speicher wird bei jedem Boot-Vorgang vollständig neu initiiert und geprüft.

► DigitALL Power

Drücken Sie die **Eingabetaste <Enter>**, um das Untermenü aufzurufen. Steuert die digitale CPU PWM.

► SVID Communication [Auto]*

Aktivieren oder deaktivieren Sie die SVID (Serial Voltage Identification)-Unterstützung.

[Auto] Diese Einstellungen werden vom BIOS automatisch konfiguriert.

[Enabled] PWM-Phase wird dynamisch je nach CPU SVID (Serial Voltage Identification) geändert.

[Disabled] Deaktiviert die SVID (Serial Voltage Identification)-Unterstützung.

► VCCIN Voltage [Auto]

Legen Sie die CPU Eingangsspannung fest. Die CPU Eingangsspannung ist die CPU Stromquelle, die durch Komponenten der CPU gemeinsam genutzt wird.

► CPU Voltages control [Auto]

Erlaubt das Einstellen der CPU-Spannungen. Wenn die Einstellung auf **Auto** gesetzt ist, wird das BIOS die Spannungen automatisch einstellen oder Sie können es manuell einstellen.

► DRAM Voltages control [Auto]

Erlaubt das Einstellen der DRAM-Spannungen. Wenn die Einstellung auf **Auto** gesetzt ist, wird das BIOS die Spannungen automatisch einstellen oder Sie können es manuell einstellen.

► PCH Voltages control [Auto] (optional)

Erlaubt das Einstellen der PCH-Spannungen. Wenn die Einstellung auf **Auto** gesetzt ist, wird das BIOS die Spannungen automatisch einstellen oder Sie können es manuell einstellen.

► CPU Memory Changed Detect [Enabled]*

Aktiviert/Deaktiviert die Systemwarnmeldung beim Booten, wenn die CPU oder der Hauptspeicher ersetzt wurde.

[Enabled] Das System zeigt eine Warnmeldung beim Systemstart und lädt die Default-Einstellungen für neue Geräte.

[Disabled] Deaktivierung der Funktion und Beibehaltung der aktuellen BIOS-Einstellungen.

► CPU Specifications

Drücken Sie die **Eingabetaste <Enter>**, um das Untermenü aufzurufen. Das Untermenü zeigt die Informationen der installierten CPU an. Zu diesen Informationen gelangen Sie, indem Sie die Taste [F4] drücken. Nur Anzeige.

► CPU Technology Support

Drücken Sie die **Eingabetaste <Enter>**, um das Untermenü aufzurufen. Das Untermenü zeigt die wichtigsten Eigenschaften der installierten CPU an. Nur Anzeige.

► MEMORY-Z

Drücken Sie die **Eingabetaste <Enter>**, um das Untermenü aufzurufen. Dieses Untermenü zeigt alle Einstellungen und Timings des installierten Speichers. Zu diesen Informationen gelangen Sie auch, indem Sie die Taste [F5] drücken.

► DIMMx Memory SPD

Drücken Sie die **Eingabetaste <Enter>**, um das Untermenü aufzurufen. Das Untermenü zeigt die Informationen des verwendeten Speichers an. Nur Anzeige.

► CPU Features

Drücken Sie die **Eingabetaste <Enter>**, um das Untermenü aufzurufen.

► Hyper-Threading [Enabled]

Die Intel Hyper-Threading Technologie behandelt die Prozessorkerne innerhalb des Prozessors als multi-logische Prozessoren, die Anweisungen simultan durchführen können. Dadurch tritt eine wesentliche Verbesserung der Systemleistung ein. Diese Option wird angezeigt, wenn die installierte CPU diese Einstellungen unterstützt.

[Enable] Aktiviert die Intel Hyper-Threading Technologie.

[Disabled] Deaktiviert die Option, wenn das System die HT-Funktion nicht unterstützt.

► Active Processor Cores [All]

Hier können Sie die Zahl der aktiven Prozessorkerne auswählen.

► Limit CPUID Maximum [Disabled]

Aktiviert oder deaktiviert den erweiterten CPUID-Wert.

[Enabled] Das BIOS begrenzt den maximalen CPUID Eingabewert, um Bootprobleme mit älteren Betriebssystem zu umgehen, die den Prozessor mit erweitertem CPUID-Wert nicht unterstützen.

[Disabled] Verwenden Sie den maximalen CPUID Eingabewert.

► Intel Virtualization Tech [Enabled]

Aktiviert oder deaktiviert die Intel Virtualization Technologie.

[Enabled] Aktiviert die Intel Virtualization-Technologie, die es mehreren Betriebssystemen ermöglicht, in voneinander unabhängigen Partitionen zu arbeiten. Das System kann als mehrere Systeme virtuell einsetzen.

[Disabled] Deaktiviert diese Funktion.

► Intel VT-D Tech [Disabled]

Aktiviert oder deaktiviert die Intel VT-D (Intel Virtualization for Directed I/O) Technologie.

► **Hardware Prefetcher [Enabled]**

Aktivieren oder deaktivieren Sie das Hardware Prefetcher (MLC Streamer prefetcher).

[Enabled] Der CPU Hardware Prefetcher kann frühzeitig Daten und Anweisungen aus dem Speicher in den L2-Cache laden um die Cache-Latency Zeiten zu reduzieren.

[Disabled] Deaktiviert den Hardware Prefetcher.

► **Adjacent Cache Line Prefetch [Enabled]**

Aktiviert oder deaktiviert den CPU Hardware Prefetcher (MLC Spatial prefetcher).

[Enabled] Ermöglicht Adjacent Cache Line Prefetch zur Verringerung der Cache Latenzzeit und zur Leistungssteigerung von Applikationen.

[Disabled] Aktiviert nur die angeforderten Cache-Zeilen.

► **CPU AES Instructions [Enabled]**

Aktiviert oder deaktiviert die CPU AES (Advanced Encryption Standard-New Instructions) Unterstützung. Diese Option wird angezeigt, wenn die CPU diese Funktion unterstützt.

► **Intel Adaptive Thermal Monitor [Enabled]**

Aktiviert oder deaktiviert die Intel Adaptive Thermal-Monitor-Funktion, um die CPU vor Überhitzung zu schützen.

[Enabled] Drosselt den CPU Kerntakt, wenn die CPU-Temperatur über die adaptive Temperatur steigt.

[Disabled] Deaktiviert diese Funktion.

► **Intel C-State [Auto]**

Aktiviert oder deaktiviert das Intel C-State. C-State ist eine durch ACPI definierte Prozessor-Power-Management-Technologie.

[Auto] Diese Einstellungen werden vom BIOS automatisch konfiguriert.

[Enabled] Ermöglicht die Erkennung, wann sich das System im Leerlauf befindet und senkt den CPU-Stromverbrauch entsprechend.

[Disabled] Deaktiviert diese Funktion.

► **C1E Support [Disabled]**

Aktiviert oder deaktiviert die C1E-Funktion für Stromersparnis im Leerlauf. Diese Option wird angezeigt, wenn **Intel C-State** aktiviert ist.

[Enabled] Ermöglicht die C1E Funktion, um die CPU-Frequenz und Spannung zur Stromersparnis im Leerlauf zu reduzieren.

[Disabled] Deaktiviert diese Funktion.

► **Package C State Limit [Auto]**

Hier können Sie einen CPU C-State-Modus für Stromsparen auswählen, wenn das System im Leerlauf ist. Die Optionen des C-States ist abhängig von der installierten CPU. Diese Option wird angezeigt, wenn **Intel C-State** aktiviert ist.

► **CFG Lock [Enabled]**

Sperren oder Entsperren des MSR 0xE2[15]s, des CFG Lock-Bits.

[Enabled] Sperrt das CFG Lock-Bit.

[Disabled] Entsperrt das CFG Lock-Bit.

► **Long Duration Power Limit (W) [Auto]**

Hier stellen Sie die TDP Leistungsgrenze für die CPU in Turbo Boost Modus ein.

► **Long Duration Maintained (s) [Auto]**

Hier stellen Sie den Zeitraum (ms) für die TDP Leistungsgrenze (W) ein.

► **Short Duration Power Limit (W) [Auto]**

Hier stellen Sie die TDP Leistungsgrenze für CPU in Turbo Boost Modus ein.

► **CPU Current Limit (A) [Auto]**

Hier legen Sie die maximale Stromgrenze der CPU im Turbo Boost Modus fest. Wenn der Strom über den angegebenen Grenzwert steigt, verringert die CPU automatisch Core-Frequenz.

► **FCLK Frequency [Auto]**

Legt FCLK Frequenz fest. Stellen Sie eine niedrigere FCLK-Frequenz ein, um die Einstellung der höheren Grundtakt-Frequenz zu machen.

► **DMI Link Speed [Auto]**

Legt die DMI-Geschwindigkeit fest.

Softwarebeschreibung

Installation von Windows® 10

1. Schalten Sie den Computer ein.
2. Legen Sie die Windows® 10 Disk in das optisches Laufwerk.
3. Drücken Sie die Taste **Restart** auf dem Computergehäuse.
4. Drücken Sie die **F11**-Taste während des POST-Vorgangs (Power-On Self Test), um das Bootmenu zu öffnen.
5. Wählen Sie das optische Laufwerk aus dem Bootmenu.
6. Wenn eine entsprechende Meldung **Press any key to boot from CD or DVD...** angezeigt wird, drücken Sie eine beliebige Taste.
7. Folgen Sie den Anweisungen auf dem Bildschirm, um das Dienstprogramm „Windows® 10“ zu installieren.

Installation von Treibern

1. Starten Sie Ihren Computer mit Windows® 10.
2. Legen Sie die MSI® Treiber Disk in das optisches Laufwerk.
3. Der Installer wird automatisch erscheint und findet und finden Sie die benötigten Treiber in die Liste.
4. Klicken Sie auf **Install**.
5. Die Software-Installation ist im Gange. Wenn die Installation abgeschlossen ist, werden Sie dazu aufgefordert, den Computer neu zu starten.
6. Klicken Sie auf **OK** zum Beenden.
7. Starten Sie Ihren Computer neu.

Installation von Utilities

Bevor Sie Anwendungen installieren, müssen Sie die Treiber-Installation vollständig beendet haben.

1. Legen Sie die MSI® Treiber Disk in das optisches Laufwerk.
2. Der Installer wird automatisch erscheint.
3. Klicken Sie auf **Utilities**.
4. Wählen Sie die Dienstprogramme, die installiert werden soll.
5. Klicken Sie die Taste **Install**.
6. Die Utilities-Installation ist im Gange. Wenn die Installation abgeschlossen ist, werden Sie dazu aufgefordert, den Computer neu zu starten.
7. Klicken Sie auf **OK** zum Beenden.
8. Starten Sie Ihren Computer neu.

Table des matières

Informations de sécurité	3
Spécifications	4
Panneau arrière Entrée/ Sortie	11
Tableau explicatif de l' état de la LED du port LAN	11
Configuration des ports audio.....	11
Realtek HD Audio Manager	12
Installation des antennes (en option).....	14
Vue d' ensemble des composants	15
Socket processeur	16
Slots DIMM	17
PCI_E1~6: Slots d' extension PCIe	20
Tableaux de debit des slots PCIe.....	20
U2_1: Port U.2.....	22
M2_1~2: Slots M.2 (Touche M).....	23
SATA1~8: Connecteurs SATA 6 Gb/s	24
CPU_PWR1, ATX_PWR1: Connecteurs d' alimentation	26
VRAID1: Connecteur Virtual Raid on CPU	26
JFP1, JFP2: Connecteurs de panneau avant	27
JUSB3, JUSB4: Connecteurs USB 3.1 Gen1	27
JUSB5: Connecteur USB 3.1 Gen2 Type-C.....	28
JUSB1~2: Connecteurs USB 2.0	29
JTPM1: Connecteur de module TPM.....	29
CPU_FAN1, PUMP_FAN1, SYS_FAN1~4: Connecteurs pour ventilateurs.....	30
JTBT1: Connecteur de carte additionnelle Thunderbolt	30
JAUD1: Connecteur audio avant.....	31
JCI1: Connecteur intrusion châssis	31
BIOS_SW1: Interrupteur Multi-BIOS.....	32
JBAT1: Cavalier Clear CMOS (Réinitialisation BIOS)	33
POWER1, RESET1: Boutons d' alimentation et de réinitialisation	33
JLED1: Connecteur LED RGB.....	34
Indicateurs LED embarqués	35
EZ Debug LEDs	35
Indicateurs LED des barrettes DIMM.....	35
Indicateur LED du mode XMP.....	35
Indicateurs LED des ventilateurs	36
Indicateurs LED du slot PCIe x16	36
Debug Code LED.....	37
Tableau de Debug Code LED	37

Codes d' état ACPI	40
Température du processeur	40
Mettre le firmware LED à jour.....	41
Configuration du BIOS	42
Entrer dans l' interface Setup du BIOS	42
Réinitialiser le BIOS.....	43
Mettre le BIOS à jour	43
EZ Mode (mode simplifié).....	45
Advanced Mode (mode avancé)	47
OC Menu (menu overlocking).....	48
Informations sur les logiciels.....	54
Installer Windows® 10	54
Installer les pilotes	54
Installer les utilitaires	54

Informations de sécurité

- Les composants dans l' emballage peuvent être endommagés par des décharges électrostatiques (ESD). Pour vous assurer de correctement monter votre ordinateur, veuillez vous référer aux instructions ci-dessous.
- Assurez-vous de bien connecter tous les composants. En cas de mauvaise connexion, il se peut que l' ordinateur ne reconnaisse pas le composant et que le démarrage échoue.
- Veuillez tenir la carte mère par les bords pour éviter de toucher les composants sensibles.
- Il est recommandé de porter un bracelet antistatique lors de la manipulation de la carte mère pour prévenir tout dommage. Si vous n' avez pas de bracelet antistatique, touchez un objet métallique relié à la terre avant de manipuler la carte mère afin de vous décharger de votre charge statique. Touchez régulièrement l' objet métallique pendant toute la manipulation.
- Tant que la carte mère n' est pas installée, conservez-la dans un récipient protégé contre les ondes électrostatiques ou sur une couche antistatique.
- Avant de démarrer l' ordinateur, vérifiez si toutes les vis et les composants métalliques sont bien fixés sur la carte mère ou ailleurs dans le boîtier de l' ordinateur.
- Ne démarrez pas l' ordinateur avant d' avoir terminé l' installation. Ceci peut endommager les composants ou vous blesser.
- Si vous avez besoin d' aide pendant l' installation, veuillez consulter un technicien informatique certifié.
- Avant d' installer les composants d' ordinateur, veuillez toujours mettre hors tension et débrancher le cordon d' alimentation.
- Gardez ce manuel pour références futures.
- Protégez ce manuel contre l' humidité.
- Avant de brancher le bloc d' alimentation sur la sortie électrique, veuillez vous assurer que la tension de la sortie électrique est bien égale à celle du bloc d' alimentation.
- Placez le cordon d' alimentation de façon à éviter que l' on marche dessus. Ne posez rien sur le cordon d' alimentation.
- Veuillez prêter attention à toutes les alertes et remarques indiquées sur la carte mère.
- Dans un cas comme ci-dessous, faites appel au service autorisé pour vérifier votre carte mère :
 - Un liquide a pénétré dans l' ordinateur.
 - La carte mère a été exposée à de l' humidité.
 - La carte mère ne fonctionne pas comme indiqué dans les instructions.
 - La carte mère est tombée par terre et a été endommagée.
 - La carte mère est cassée.
- Ne pas mettre la carte mère dans un environnement dont la température est supérieure à 60°C (140°F) sous peine de l'endommager.

Spécifications

CPU	<ul style="list-style-type: none"> • Support la famille des processeurs de série X Intel® Core™ pour socket LGA2066
Chipset	Chipset Intel® X299
Mémoire	<ul style="list-style-type: none"> • 8 x slots pour mémoire DDR4, support jusqu' à 128 Go* • Architecture de mémoire à quatre canaux avec un processeur supportant jusqu' à quatre canaux DDR4** <ul style="list-style-type: none"> ▪ Les processeurs de série X supportent DDR4 4133(OC)/4000(OC)/3866(OC)/3800(OC)/3733(OC)/3600(OC)/3466(OC)/3400(OC)/3333(OC)/3200(OC)/3000(OC)/2933(OC)/2800(OC)/2667/2400/2133 MHz* • Architecture de mémoire à double canal avec un processeur supportant jusqu' à double canal DDR4** <ul style="list-style-type: none"> ▪ Les processeurs de série X supportent DDR4 4500(OC)/4400(OC)/4333(OC)/4266(OC)/4200(OC)/4133(OC)/4000(OC)/3866(OC)/3800(OC)/3733(OC)/3600(OC)/3466(OC)/3400(OC)/3333(OC)/3200(OC)/3000(OC)/2933(OC)/2800(OC)/2667/2400/2133 MHz* • Support Intel® Extreme Memory Profile (XMP) <p>* Veuillez vous référer au site http://www.msi.com pour les dernières informations sur la mémoire.</p> <p>** Référez-vous à la section des supports DIMM pour plus de détails.</p>
Slots d' extension	<ul style="list-style-type: none"> • 4 x slots PCIe 3.0 x16 <ul style="list-style-type: none"> ▪ Support le mode x16/ x4*/ x16/ x8 avec un processeur supportant 44 lignes. ▪ Support le mode x16/ x4*/ x8/ x4 avec un processeur supportant 28 lignes. ▪ Support les modes x8/ x4*/ x8/ x0, x8/ x4*/ x4/ x4 avec un processeur supportant 16 lignes. • 2 x slots PCIe 3.0 x1 <p>* Les lignes PCIe3 sont supportées par PCH. Référez-vous à la page 20 pour le tableau représentatif de la bande passante du slot PCIe.</p>
Multi-GPU	<ul style="list-style-type: none"> • Support jusqu' à la technologie AMD® CrossFire™ 3-Way • Support jusqu' à la technologie NVIDIA® SLI™ 3-Way
LAN	1 x contrôleur Intel I219-V Gigabit LAN

Suite du tableau sur la page suivante

Suite du tableau de la page précédente

Wireless LAN et Bluetooth® (en option)	<ul style="list-style-type: none">• Module Intel® Dual Band Wireless-AC 8265<ul style="list-style-type: none">▪ Le module sans fil est préinstallé dans le slot M2_3 (Touche-E).▪ Support Wi-Fi 802.11 a/b/g/n/ac, double bande (2.4GHz, 5GHz) jusqu' à la vitesse de 867 Mbps.▪ Support Dual Mode Bluetooth® 2.1, 2.1+EDR, 3.0, 4.0, BLE, 4.2
Audio	<ul style="list-style-type: none">• Realtek® ALC1220 Codec• Audio haute définition 7.1• Support sortie S/PDIF
USB	<ul style="list-style-type: none">• Chipset ASMedia® ASM3142<ul style="list-style-type: none">▪ 1 x port USB 3.1 Gen2 SuperSpeed USB 10Gbps Type-A sur le panneau arrière▪ 2 x ports USB 3.1 Gen2 Super Speed USB 10Gbps Type-C (1 port sur le panneau arrière, 1 port disponible par l' intermédiaire du connecteur USB interne)• ASMedia® ASM1074 Hub<ul style="list-style-type: none">▪ 3 x ports USB 3.1 Gen1 SuperSpeed USB Type-A sur le panneau arrière• Chipset Intel® X299<ul style="list-style-type: none">▪ 5 x ports USB 3.1 Gen1 SuperSpeed USB (1 port sur le panneau arrière, 4 ports disponibles par l' intermédiaire des connecteurs USB internes)▪ 7 x ports USB 2.0 High-speed USB (3 ports sur le panneau arrière, 4 ports disponibles par l' intermédiaire des connecteurs USB internes)

Suite du tableau sur la page suivante

Suite du tableau de la page précédente

Stockage	<p>Chipset Intel® X299</p> <ul style="list-style-type: none">• 8 x ports SATA 6 Gb/s*• 2 x slots M.2 (Touche M)*<ul style="list-style-type: none">▪ Support jusqu' à PCIe 3.0 x4 et SATA 6 Gb/s▪ Le slot M2_1 supporte des périphériques de stockage 2242/ 2260/ 2280▪ Le slot M2_2 supporte des périphériques de stockage 2242/ 2260/ 2280/ 22110▪ Intel Optane™ Memory Ready**• 1 x port U.2*<ul style="list-style-type: none">▪ Support des périphériques de stockage en PCIe 3.0 x4 NVMe• Support de la technologie Intel® Smart Response <p>* Le slot PCI_E3, les slots M.2, le port U.2 et les ports SATA partagent la même bande passante. Référez-vous à la page 24 pour le tableau de combinaison PCI_E3/ U.2/ M.2/ SATA.</p> <p>** Veuillez vous référer au manuel d' installation de la mémoire Intel® Optane™ sur le site www.msi.com.</p>
RAID	<p>Chipset Intel® X299</p> <ul style="list-style-type: none">• Support des architectures RAID 0, RAID 1, RAID 5 et RAID 10 pour les périphériques de stockage SATA• Support des architectures RAID 0 et RAID 1 pour les périphériques de stockage M.2* <p>* La configuration RAID du SSD PCIe M.2 peut être créée avec M.2/Optane Genie.</p>

Suite du tableau sur la page suivante

Suite du tableau de la page précédente

Connecteurs internes

- 1 x connecteur d'alimentation principal ATX 24 broches
- 1 x connecteur d'alimentation ATX 12V 8 broches
- 8 x connecteurs SATA 6 Gb/s
- 3 x slots M.2 (Touche M x2, Touche E x1)
- 1 x port U.2
- 2 x connecteurs USB 2.0 (support de 4 autres ports USB 2.0)
- 2 x connecteurs USB 3.1 Gen1 (support de 4 autres ports USB 3.1 Gen1)
- 1 x port USB 3.1 Gen2 Type-C
- 1 x connecteur de ventilateurs CPU 4 broches
- 1 x connecteur de ventilateurs 4 broches pour la pompe à eau
- 4 x connecteurs de ventilateurs système 4 broches
- 1 x connecteur audio avant
- 2 x connecteurs de panneau avant
- 1 x connecteur de module TPM
- 1 x connecteur intrusion châssis
- 1 x cavalier Clear CMOS
- 1 x bouton d'alimentation
- 1 x bouton de réinitialisation
- 1 x interrupteur Multi-BIOS
- 1 x connecteur LED RGB
- 1 x connecteur Virtual Raid on CPU
- 1 x connecteur de carte additionnelle Thunderbolt

Suite du tableau sur la page suivante

Suite du tableau de la page précédente

Connecteurs sur le panneau arrière	<ul style="list-style-type: none">• 1 x bouton Clear CMOS• 1 x bouton BIOS Flash back• 1 x port combo clavier/ souris PS/2• 3 x ports USB 2.0 Type-A• 4 x ports USB 3.1 Gen1 Type-A• 1 x port LAN (RJ45)• 1 x port USB 3.1 Gen2 Type-A• 1 x port USB 3.1 Gen2 Type-C• 1 x connecteur Sortie S/PDIF optique• 5 x jacks audio OFC
Contrôleur E/S	Contrôleur NUVOTON NCT6795
Moniteur système	<ul style="list-style-type: none">• Détection de la température du CPU et du système• Détection de la vitesse du ventilateur du CPU et du système• Contrôle de la vitesse du ventilateur du CPU et du système
Dimensions	<ul style="list-style-type: none">• Format ATX• 30,5 cm x 24,4 cm (12" x 9,6")
Fonctions BIOS	<ul style="list-style-type: none">• 2 x flash BIOS 128 Mb• BIOS UEFI AMI• ACPI 6.0, PnP 1.0a, SM BIOS 3.0• Multilingue

Suite du tableau sur la page suivante

Suite du tableau de la page précédente

Logiciel	<ul style="list-style-type: none">• Pilotes• APP MANAGER• SUPER CHARGER• COMMAND CENTER• LIVE UPDATE 6• MSI SMART TOOL• DRAGON EYE• GAMING APP• X-BOOST• MYSTIC LIGHT• RAMDISK• GAMING LAN Manager• DPC Latency Tuner• FAST BOOT• Nahimic Audio• XSplit Gamecaster V2• Tridef VR et Smart Cam• SteelSeries Engine 3• WTFast*• CPU-Z MSI GAMING• Intel® Extreme Tuning Utility• Google Chrome™, Google Toolbar et Google Drive• Norton™ Internet Security Solution <p>* Cette fonctionnalité dépend d'une offre limitée dans le temps. Veuillez vous référer au site www.msi.com pour plus d'informations.</p>
Fonctions spéciales MSI	<ul style="list-style-type: none">• Audio Boost 4• Nahimic 2• GAMING LAN avec Gaming LAN Manager• Turbo U.2• Twin Turbo M.2• Ventilateurs pour la pompe• Contrôle des ventilateurs

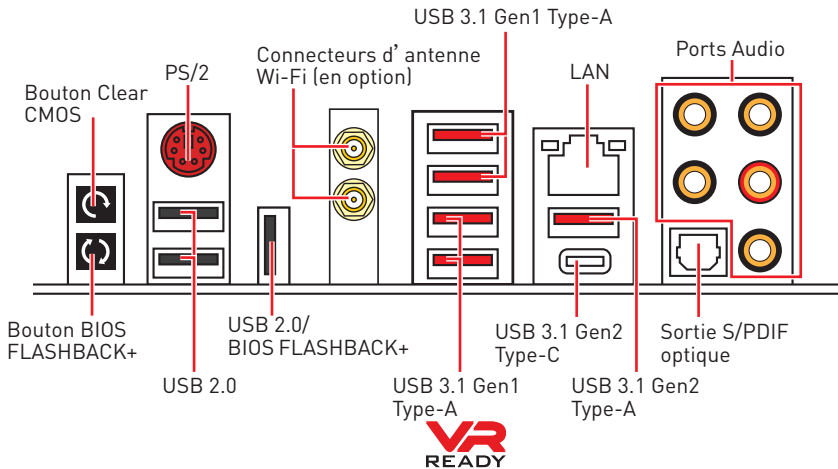
Suite du tableau sur la page suivante

Suite du tableau de la page précédente

**Fonctions spéciales
MSI**

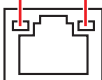
- Mystic Light
- Mystic Light Extension
- Gaming DNA avec LED en bas
- Mystic light SYNC
- EZ DEBUG LED
- Protection M.2 Shield FROZR
- Steel Armor PCI-E
- Steel Armor U.2
- VR Cover
- Technologie Muilt GPU - SLI
- Technologie Muilt GPU - CrossFire
- DDR4 Boost
- OC Engine (Clock gen)
- Port USB de type Type A et C
- Lightning USB avec ASM3142
- Lightning USB 3.1 Gen type C avant
- Military Class 6
- 7000+ Quality Test
- VR Boost
- VR Ready
- Intel WiFi (en option)
- GAMING HOTKEY
- Contrôle de la souris GAMING
- Click BIOS 5
- BIOS FLASHBACK+
- Double BIOS
- Quadro SLI Ready
- Quadro Ready
- GAMING Certifié
- SteelSeries Certifié

Panneau arrière Entrée/ Sortie



- **Bouton Clear CMOS** - Eteignez votre ordinateur. Appuyez sur le bouton CMOS pendant environ 5-10 secondes pour remettre le BIOS aux valeurs par défaut.
- **Port/ bouton BIOS FLASHBACK+** - Veuillez vous référer à la page 44 pour en savoir plus sur la mise à jour du BIOS avec BIOS FLASHBACK+.

Tableau explicatif de l'état de la LED du port LAN

LED indiquant la connexion et l'activité			LED indiquant la vitesse	
Etat	Description		Etat	Description
Eteint	Pas de connexion		Eteint	Débit de 10 Mbps
Jaune	Connexion correcte		Vert	Débit de 100 Mbps
Clignote	Activité en cours		Orange	Débit de 1 Gbps

Configuration des ports audio

Ports Audio	Canal			
	2	4	6	8
Sortie centre/ Caisson de basse			●	●
Sortie audio haut-parleur arrière		●	●	●
Entrée Ligne/ Sortie audio haut-parleur côté				●
Sortie Ligne/ Sortie casque avant	●	●	●	●
Entrée Microphone				

● : connecté, Espace : vide

Realtek HD Audio Manager

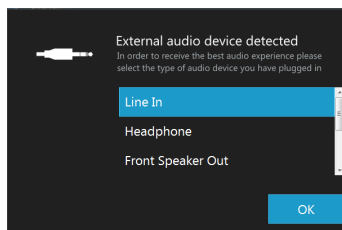
Après l'installation du pilote **Realtek HD Audio**, l'icône **Realtek HD Audio Manager** apparaît dans la barre des tâches du système. Double-cliquez sur l'icône pour lancer le programme.



- **Sélection du périphérique** - vous permet de sélectionner une source de sortie audio pour en modifier les paramètres. Le symbole de coche indique le périphérique sélectionné par défaut.
- **Amélioration d'application** - les diverses options vous fournissent un guide complet des effets acoustiques proposés pour les périphériques de sortie et d'entrée.
- **Volume principal** - contrôle le volume ou équilibre le son gauche/droite des haut-parleurs branchés sur le panneau avant ou derrière en ajustant la barre de volume.
- **Profils** - bascule entre les profils.
- **Paramètres avancés** - fournit le mécanisme pour gérer deux flux audio indépendants.
- **Etat des prises Jack** - présente tous les périphériques de diffusion et de capture connectés à votre ordinateur.
- **Paramètres du connecteur** - configure les paramètres de connexion.

Dialogue pop up automatique

Lorsqu'un périphérique est branché sur une prise audio, une fenêtre de dialogue apparaît vous demande de choisir le périphérique connecté que vous souhaitez utiliser.



Chaque jack est réglé avec ses paramètres par défaut comme indiqué sur la page suivante.

Illustration de l' utilisation des ports audio dédiés au casque et au microphone

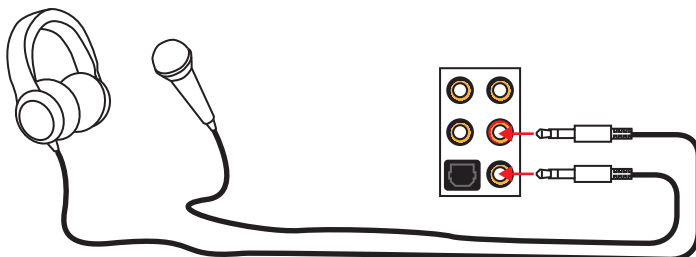


Illustration de l' utilisation du port audio dédié aux haut-parleurs

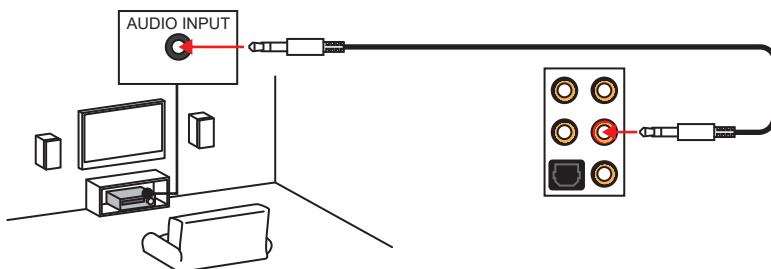
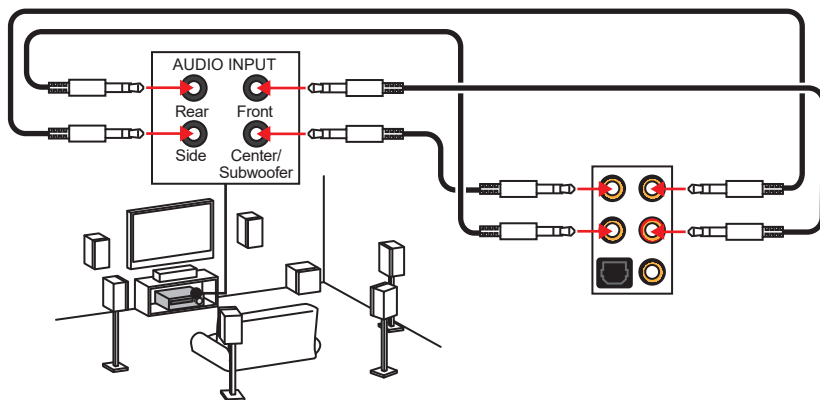
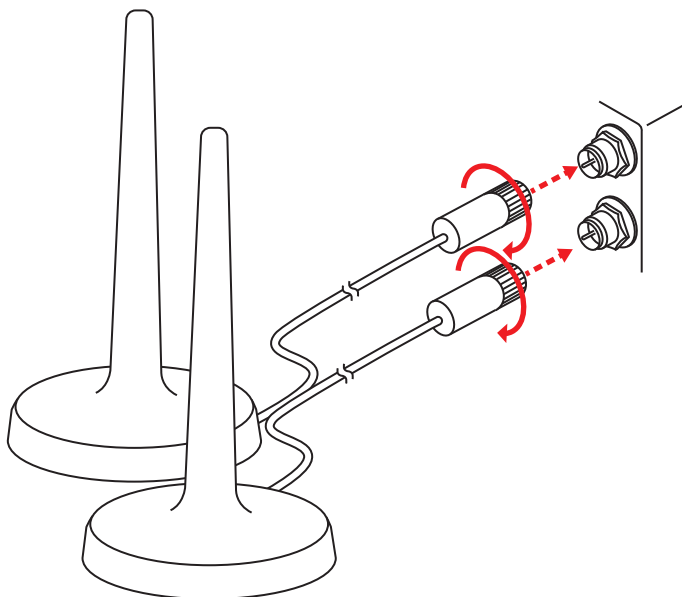


Illustration de l' utilisation des ports audio dédiés aux haut-parleurs 7.1

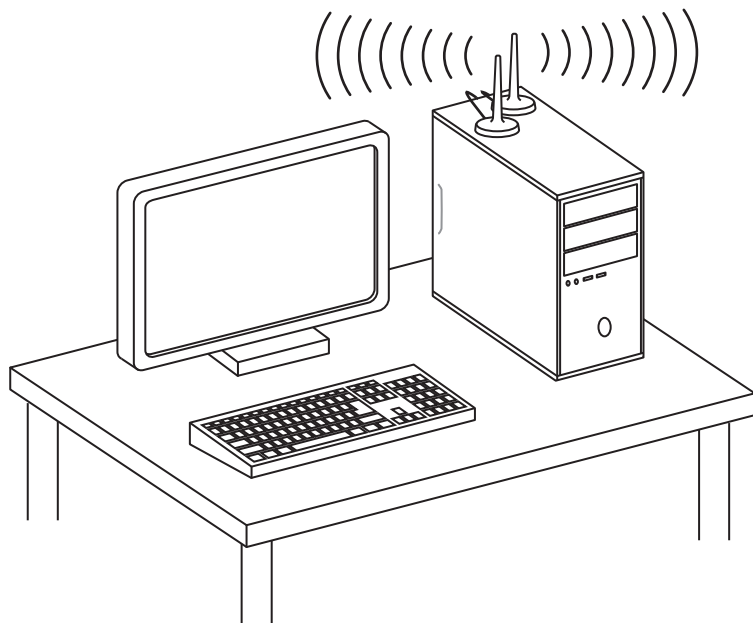


Installation des antennes (en option)

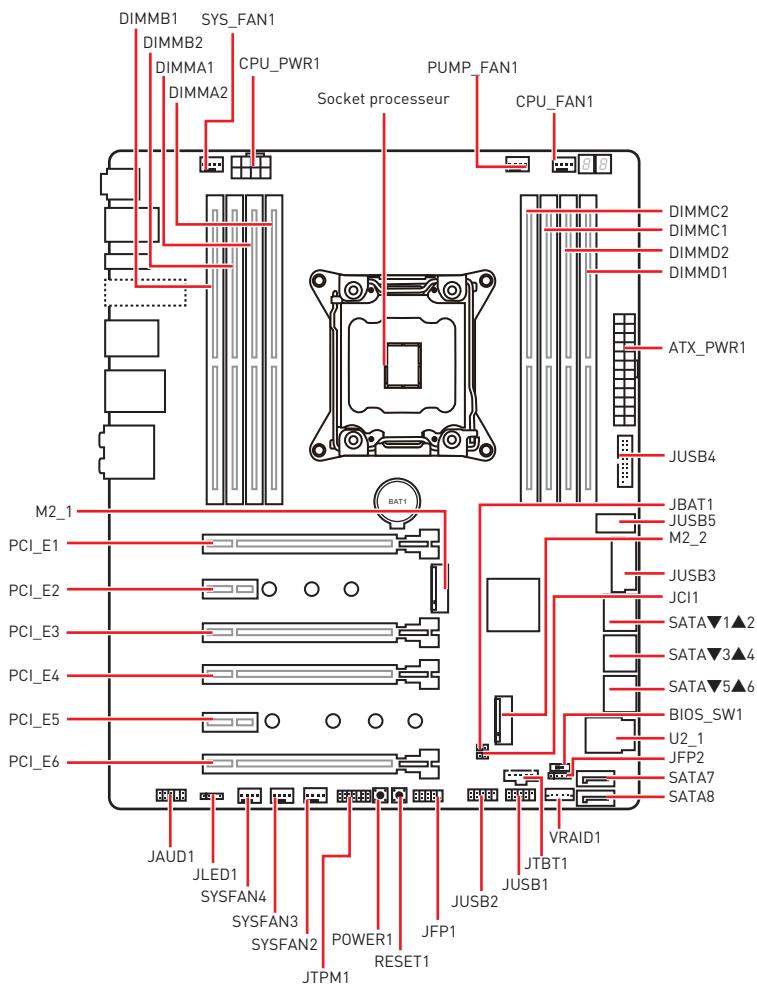
1. Vissez fermement les antennes aux connecteurs d'antenne Wi-Fi comme indiqué ci-dessous.



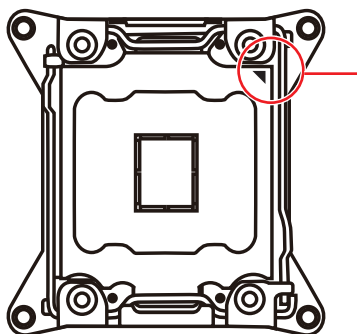
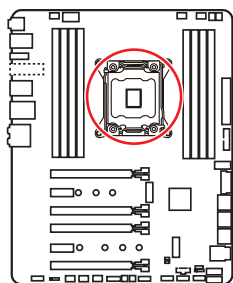
2. Placez les antennes le plus haut possible.



Vue d'ensemble des composants

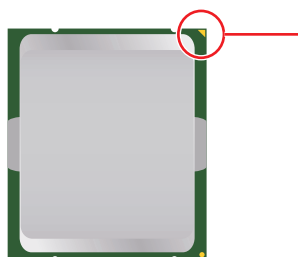


Socket processeur



Présentation du socket LGA 2066

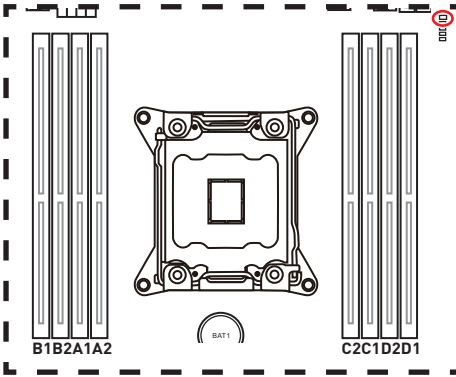
A la surface du LGA2066 CPU vous noterez quatre clés d'alignement ainsi qu'un triangle jaune pour assister l'alignement correct du CPU sur la position de carte mère. Le triangle jaune correspond à la Pin 1.



Important

- Avant d'installer ou de retirer le processeur du socket, veillez à toujours débrancher le câble d'alimentation de la prise électrique.
- Veuillez garder le capot de protection du processeur après l'installation du processeur. Selon les exigences de RMA (Return Merchandise Authorization), MSI n'acceptera pas les cartes mère dont le capot de protection aura été retiré.
- Lors de l'installation d'un processeur, n'oubliez pas d'installer un ventilateur pour processeur. Un ventilateur de processeur est nécessaire pour protéger le processeur contre la surchauffe et maintenir la stabilité du système.
- Assurez-vous de l'étanchéité entre le ventilateur et le processeur avant de démarrer votre système.
- La surchauffe peut facilement endommager le processeur et la carte mère. Assurez-vous toujours que le système de refroidissement fonctionne correctement pour protéger le processeur de la surchauffe. Assurez-vous d'appliquer une couche de pâte thermique (ou adhésif thermique) entre le processeur et le système de refroidissement afin d'améliorer la dissipation de la chaleur.
- Quand le processeur n'est pas installé, protégez toujours les broches de l'emplacement du processeur avec le couvercle dédié.
- Si vous avez acheté un processeur indépendamment du ventilateur, veuillez vous référer à la documentation dans le paquet du ventilateur pour plus d'informations concernant l'installation.
- Cette carte mère supporte l'overclocking. Néanmoins, veuillez vous assurer que vos composants soient capables de tolérer l'overclocking. Prenez note que l'utilisation au-delà des spécifications du constructeur n'est pas recommandée. MSI® ne garantit pas les dommages et risques causés par les utilisations non prévues dans les spécifications du produit.

Slots DIMM

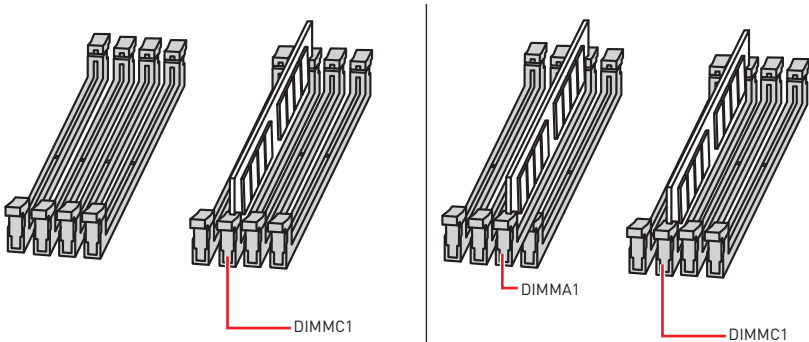


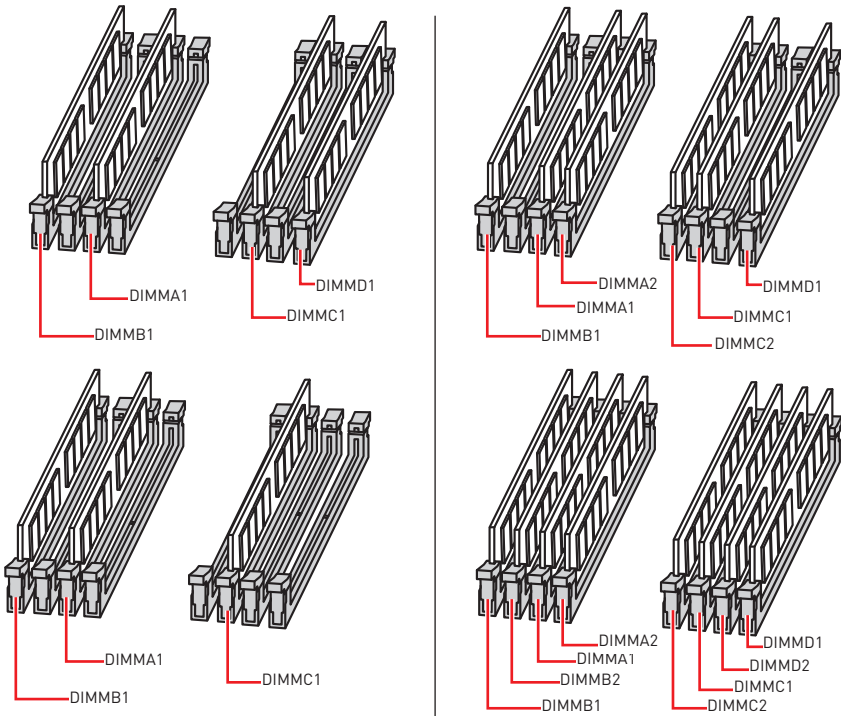
LED S/K : La LED S/K indique si le processeur installé supporte l'architecture de mémoire à 4 canaux ou à 2 canaux.

- Rouge = supporte 8 DIMMs (processeur à 4 canaux)
- Blanc = supporte 4 DIMMs (processeur à 2 canaux)

Installation recommandée de module mémoire (processeur à 4 canaux)

	B1	B2	A1	A2	CPU de série X Intel Core	C2	C1	D2	D1
1 DIMM					Supporte l'architecture de mémoire à 4 canaux		✓		
2 DIMMs			✓				✓		
3 DIMMs	✓		✓				✓		
4 DIMMs	✓		✓				✓		✓
5 DIMMs	✓		✓			✓	✓		✓
6 DIMMs	✓		✓	✓		✓	✓		✓
7 DIMMs	✓	✓	✓	✓		✓	✓		✓
8 DIMMs	✓	✓	✓	✓		✓	✓	✓	✓





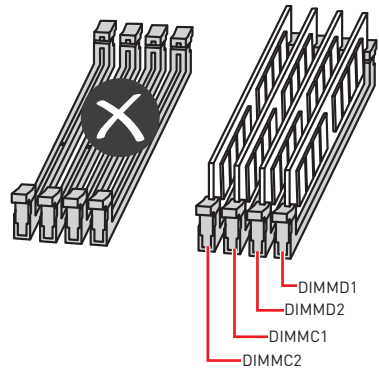
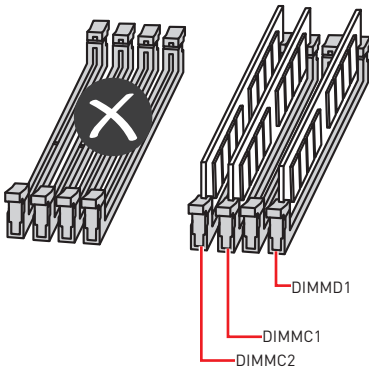
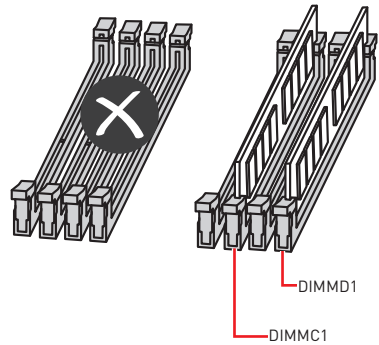
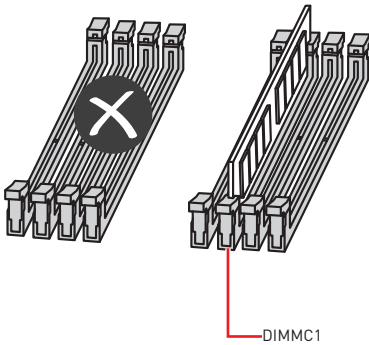
Important

- Veillez à toujours insérer un module de mémoire dans l'emplacement **DIMMC1** en premier.
- Pour garantir la stabilité du système au mode de double/ triple/ quatre canal, assurez-vous d'installer les modules de mémoire du même type et de la même densité en mode double canal. Et pour chaque canal, l'emplacement DIMM impair doit être installé en premier.
- Du fait des ressources utilisées par le chipset, la capacité de mémoire disponible est un peu moins élevée que celle installée.
- Basé sur les spécifications du processeur Intel, une tension d'une barrette mémoire en dessous de 1.35V est conseillée pour protéger le processeur.
- Veuillez noter que la capacité maximum de la mémoire est de 4 Go ou moins pour le système d'exploitation Windows 32-bit du fait de la limitation de mémoire. Par conséquent, il est recommandé d'installer le système d'exploitation Windows 64-bit si vous voulez installer une mémoire de plus de 4 Go sur la carte mère.
- Certains modules de mémoire peuvent fonctionner à une fréquence réduite par rapport à la valeur indiquée lors de l'overclocking car la fréquence d'opération de mémoire dépend du Serial Presence Detect (SPD).
- Il est recommandé d'utiliser un système de refroidissement qui sera capable de refroidir toutes les barrettes mémoire et d'offrir de bonnes performances lors d'un overclocking.
- La stabilité et la compatibilité du module de mémoire lors de l'overclocking dépendent du processeur et des périphériques installés.

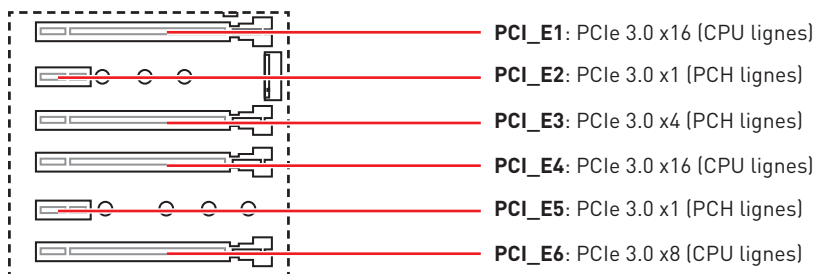
Installation recommandée de module mémoire (processeur à 2 canaux)

	B1	B2	A1	A2	CPU de série X Intel Core	C2	C1	D2	D1
1 DIMM					Supporte l'architecture de mémoire à 2 canaux		✓		
2 DIMMs							✓		✓
3 DIMMs						✓	✓		✓
4 DIMMs						✓	✓	✓	✓

DIMMB1, B2, A1 et A2 sont indisponibles.



PCI_E1~6: Slots d' extension PCIe



Tableaux de debit des slots PCIe

Pour les processeurs à 44 lignes

Carte Graphique	Unique	2-Way*	2-Way	3-Way
PCI_E1	@ 3.0 x16	@ 3.0 x16	@ 3.0 x16	@ 3.0 x16
PCI_E2	3.0 x1	3.0 x1	3.0 x1	3.0 x1
PCI_E3	3.0 x4	3.0 x4	3.0 x4	3.0 x4
PCI_E4	3.0 x16	@ 3.0 x16	3.0 x16	@ 3.0 x16
PCI_E5	3.0 x1	3.0 x1	3.0 x1	3.0 x1
PCI_E6	3.0 x8	3.0 x8	@ 3.0 x8	@ 3.0 x8

(@: slot de carte graphique, *: meilleure combinaison)

Pour les processeurs à 28 lignes

Carte Graphique	Unique	2-Way	3-Way CF
PCI_E1	@ 3.0 x16	@ 3.0 x16	@ 3.0 x16
PCI_E2	3.0 x1	3.0 x1	3.0 x1
PCI_E3	3.0 x4	3.0 x4	3.0 x4
PCI_E4	3.0 x8	@ 3.0 x8	@ 3.0 x8
PCI_E5	3.0 x1	3.0 x1	3.0 x1
PCI_E6	3.0 x4	3.0 x4	@ 3.0 x4

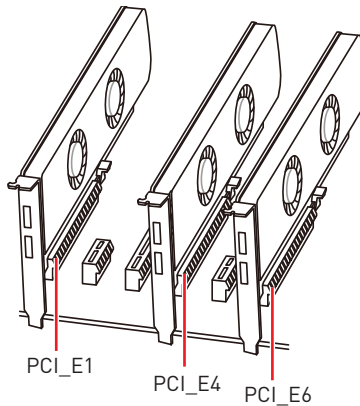
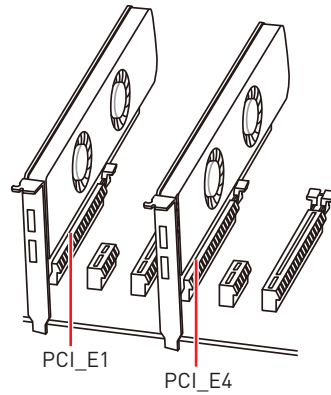
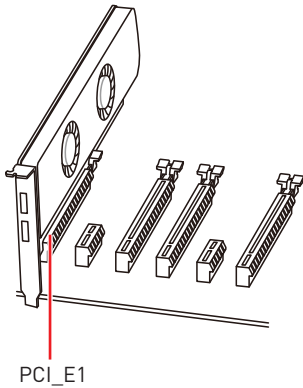
(@: slot de carte graphique, CF: CrossFire uniquement)

Pour les processeurs à 16 lignes

Carte Graphique	Unique	2-Way	3-Way CF
PCI_E1	@ 3.0 x8	@ 3.0 x8	@ 3.0 x8
PCI_E2	3.0 x1	3.0 x1	3.0 x1
PCI_E3	3.0 x4	3.0 x4	3.0 x4
PCI_E4	3.0 x8	@ 3.0 x8	@ 3.0 x4
PCI_E5	3.0 x1	3.0 x1	3.0 x1
PCI_E6	Vide	3.0 x4	@ 3.0 x4

(@: slot de carte graphique, —: indisponible, CF: CrossFire uniquement)

Installation recommandée pour une configuration multi-GPU

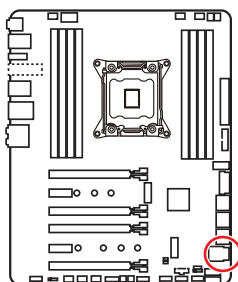


Important

- Si vous choisissez d'installer une seule carte d'extension PCIe x16, nous vous recommandons d'utiliser le slot **PCI_E1** pour profiter de performances optimales.
- Si vous installez une carte graphique lourde, il vous faut utiliser un outil comme la **barre de support MSI Gaming Series** pour supporter son poids et pour éviter la déformation du slot.
- Veillez à toujours mettre l'ordinateur hors tension et à débrancher le cordon d'alimentation avant d'installer les cartes d'extension. Référez-vous à la documentation des cartes pour vérifier si un composant ou un logiciel doit être modifié.

U2_1: Port U.2

Ce port utilise une interface U.2. Chaque port peut être relié à un périphérique de stockage PCIe 3.0 x4 NVMe.

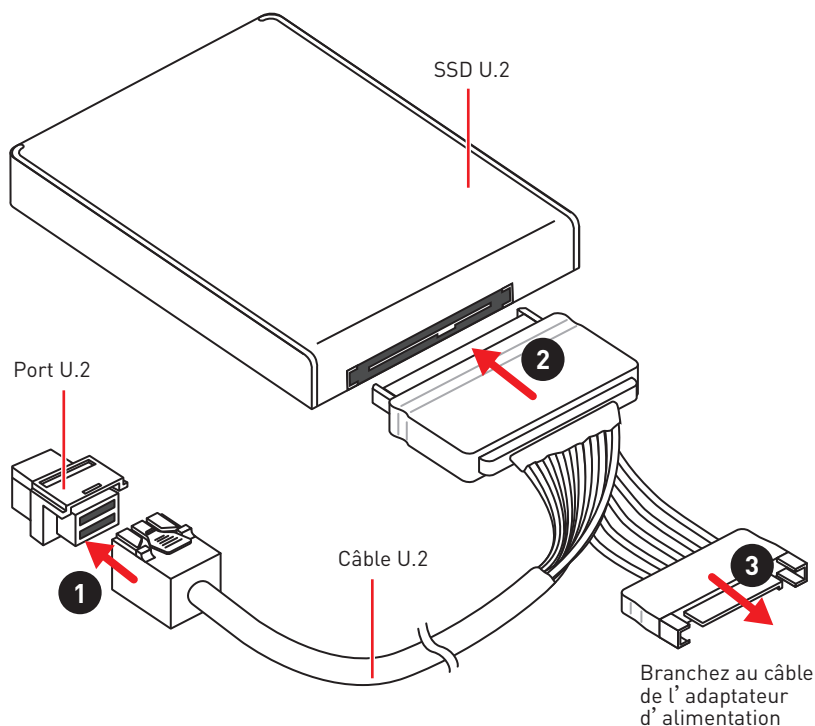


 **Vidéo de démonstration**

Référez-vous à la vidéo d'installation du SSD U.2. <http://youtu.be/KgFvKDxymvw>

Installation du SSD U.2

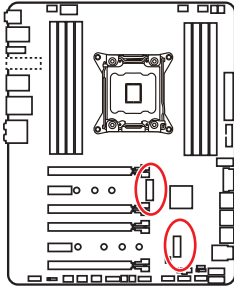
1. Branchez le câble U.2 au port U.2 sur la carte mère.
2. Branchez le câble U.2 au SSD U.2.
3. Branchez le câble U.2 au câble de l'adaptateur d'alimentation.



Important

Le port U.2 est indisponible lorsqu'un périphérique PCIe est installé dans le slot PCI_E3.

M2_1~2: Slots M.2 (Touche M)



Important

- La technologie Intel® RST supporte seulement un SSD M.2 PCIe avec une mémoire ROM UEFI.
- Intel® Optane™ Memory Ready pour tous les slots M.2.



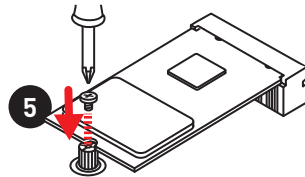
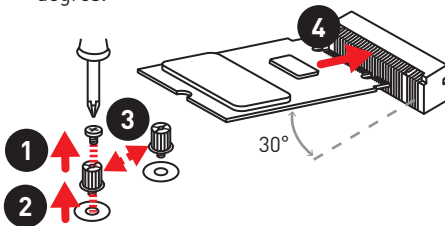
Vidéo de démonstration

Référez-vous à la vidéo d'instruction sur l'installation du module M.2.

<http://youtu.be/JCTFABytrYA>

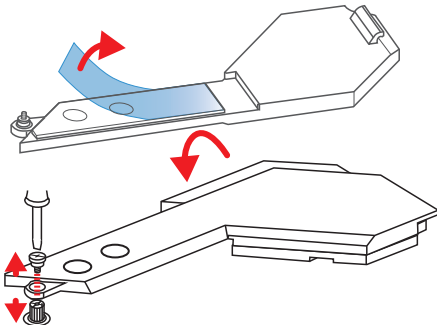
Installation du module M.2

1. Enlevez la vis de la vis de base.
2. Enlevez la vis de base.
3. Fixez la vis de base dans le trou correspondant à la longueur du module M.2.
4. Insérez votre module M.2 dans l'emplacement M.2 à un angle de 30 degrés.
5. Positionnez la vis dans l'encoche située sur le bord du module M.2 et fixez-la dans la vis de base.



Utilisation de la protection M.2 FROZR

Nous fournissons une protection pour le slot M2_1, appelée M.2 FROZR. Cette protection permet de mieux dissiper la chaleur du module M.2. Avant d'installer le module M.2 pour la première fois, vous devez enlever la vis, soulever le couvercle et retirer le film de protection du pad thermique.

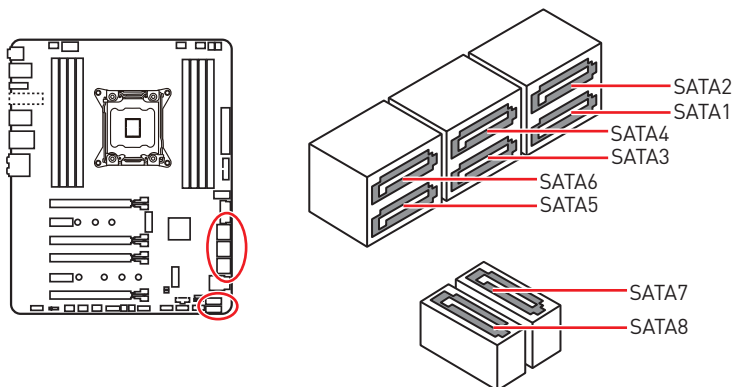


Important

Si vous n'avez pas besoin de la protection M.2 FROZR, vous pouvez l'enlever.

SATA1~8: Connecteurs SATA 6 Gb/s

Ces connecteurs utilisent une interface SATA 6 Gb/s. Chaque connecteur peut être relié à un appareil SATA.



Important

- Veuillez ne pas plier les câbles SATA à 90° car cela pourrait entraîner une perte de données pendant la transmission.
- Les câbles SATA disposent de prises identiques sur chaque côté. Néanmoins, il est recommandé de connecter la prise plate sur la carte mère pour un gain d'espace.

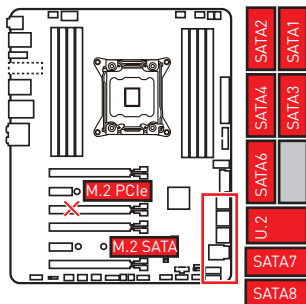
Tableau de combinaison PCI_E3/ U.2/ M.2/ SATA

Slot	Combinaison							
	✓	Vide	✓	Vide	✓	Vide	✓	Vide
PCI_E3	✓	Vide	✓	Vide	✓	Vide	✓	Vide
U2_1	—	✓	—	✓	—	✓	—	✓
M2_1	PCIe		SATA		SATA		PCIe	
M2_2	PCIe		SATA		PCIe		SATA	
SATA1	✓	—	—	—	—	—	✓	—
SATA2	✓	—	✓	—	✓	—	✓	—
SATA3	✓	—	✓	—	✓	—	✓	—
SATA4	✓	—	✓	—	✓	—	✓	—
SATA5	—	—	—	—	—	—	—	—
SATA6	—	—	✓	—	—	—	✓	—
SATA7	—	—	✓	—	—	—	✓	—
SATA8	—	—	✓	—	—	—	✓	—

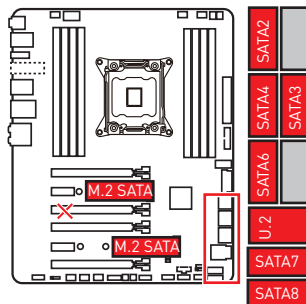
(SATA: M.2 SATA SSD, PCIe: M.2 PCIe SSD, ✓: disponible, —: indisponible)

Combinaison des slots M.2

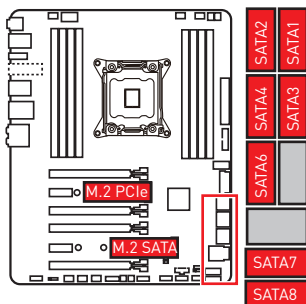
1 x U.2 + 1 x M.2 PCIe + 1 x M.2 SATA + 7 x SATA



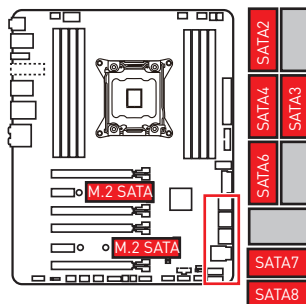
1 x U.2 + 2 x M.2 SATA + 6 x SATA



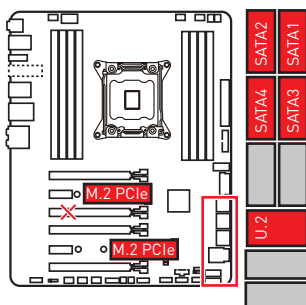
1 x M.2 PCIe + 1 x M.2 SATA + 7 x SATA



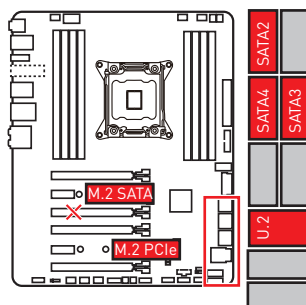
2 x M.2 SATA + 6 x SATA



1 x U.2 + 2 x M.2 PCIe + 4 x SATA

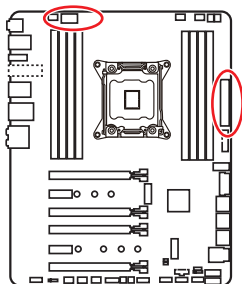


1 x U.2 + 1 x M.2 SATA + 1 x M.2 PCIe + 3 x SATA



CPU_PWR1, ATX_PWR1: Connecteurs d'alimentation

Ces connecteurs vous permettent de relier une alimentation ATX.



1	Ground	5	+12V
2	Ground	6	+12V
3	Ground	7	+12V
4	Ground	8	+12V

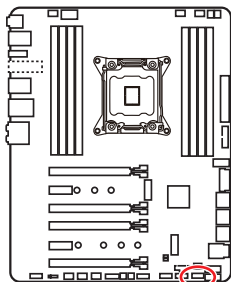
1	+3.3V	13	+3.3V
2	+3.3V	14	-12V
3	Ground	15	Ground
4	+5V	16	PS-ON#
5	Ground	17	Ground
6	+5V	18	Ground
7	Ground	19	Ground
8	PWR OK	20	Res
9	5VSB	21	+5V
10	+12V	22	+5V
11	+12V	23	+5V
12	+3.3V	24	Ground

Important

Veillez vous assurer que tous les câbles d'alimentation sont branchés aux connecteurs adéquats afin garantir une opération stable de la carte mère.

VRAID1: Connecteur Virtual Raid on CPU

Ce connecteur vous permet d'insérer la clé VROC (Virtual RAID on CPU). Vous devrez activer la fonction VROC à l'aide du pilote Intel® RSTe (Intel® Rapid Storage Technology enterprise).



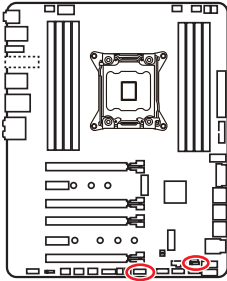
1	Ground	2	VCC3
3	Ground	4	SATA_RAID_KEY

Important

La clé VROC n'est pas fournie.

JFP1, JFP2: Connecteurs de panneau avant

Ces connecteurs se lient aux interrupteurs et indicateurs LED du panneau avant.

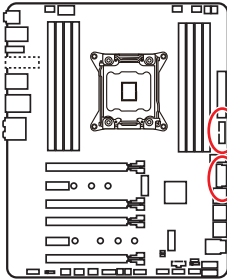


1	HDD LED +	2	Power LED +
3	HDD LED -	4	Power LED -
5	Reset Switch	6	Power Switch
7	Reset Switch	8	Power Switch
9	Reserved	10	No Pin

1	Speaker -	2	Buzzer +
3	Buzzer -	4	Speaker +

JUSB3, JUSB4: Connecteurs USB 3.1 Gen1

Ces connecteurs vous permettent de relier un port USB 3.1 Gen1 sur le panneau avant.



1	Power	11	USB2.0+
2	USB3_RX_DN	12	USB2.0-
3	USB3_RX_DP	13	Ground
4	Ground	14	USB3_TX_C_DP
5	USB3_TX_C_DN	15	USB3_TX_C_DN
6	USB3_TX_C_DP	16	Ground
7	Ground	17	USB3_RX_DP
8	USB2.0-	18	USB3_RX_DN
9	USB2.0+	19	Power
10	NC	20	No Pin

Important

Notez que les câbles d'alimentation et de terre doivent être branchés correctement afin d'éviter d'endommager la carte.

Port Super Charger

Le connecteur **JUSB4** est un port de recharge capable d'augmenter le débit USB en sortie afin de recharger rapidement votre téléphone portable ou d'autres périphériques USB compatibles. Le port Charger est contrôlé au niveau matériel par la puce de la carte mère et peut supporter le rechargement lorsque l'ordinateur est en mode veille, hibernation ou éteint. Néanmoins, quand vous démarrez l'ordinateur sous Windows®, il vous faut installer l'application MSI® SUPER CHARGER pour activer ou désactiver le mode Charging (rechargement).



 **Vidéo de démonstration**

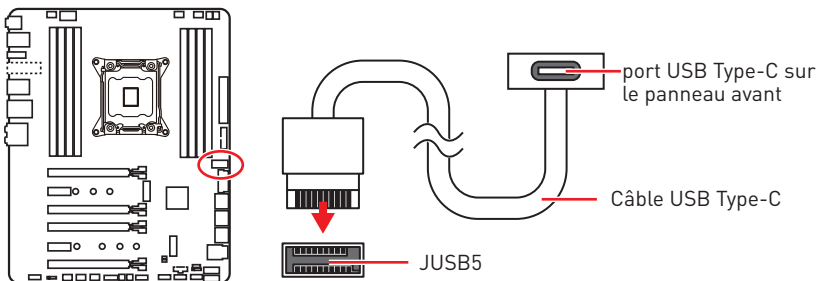
Pour en savoir plus sur Super Charger, cliquez sur le lien ci-dessous.
<http://youtu.be/FCyjr5Nb0w>

Important

Lorsque le mode Charging est activé, la synchronisation des données du port Super Charger sera désactivée.

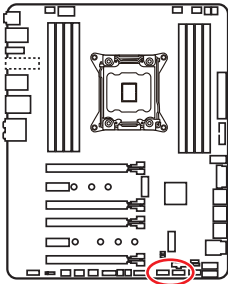
JUSB5: Connecteur USB 3.1 Gen2 Type-C

Ce connecteur vous permet de relier un port USB 3.1 Gen2 Type-C sur le panneau avant. Pour plus de sécurité, ce connecteur a été conçu pour offrir une excellente robustesse. Quand vous connectez le câble, assurez-vous de le brancher dans le bon sens.



JUSB1~2: Connecteurs USB 2.0

Ces connecteurs vous permettent de relier des ports USB 2.0 sur le panneau avant.



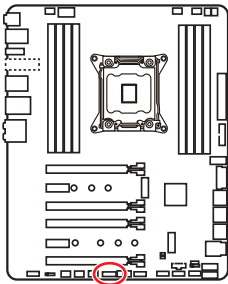
1	VCC	2	VCC
3	USB0-	4	USB1-
5	USB0+	6	USB1+
7	Ground	8	Ground
9	No Pin	10	NC

Important

- Notez que les broches VCC et Terre doivent être branchées correctement afin d'éviter tout dommage sur la carte mère.
- Pour recharger votre iPad, iPhone et iPod par l'intermédiaire d'un port USB, veuillez installer l'utilitaire MSI® SUPER CHARGER.

JTPM1: Connecteur de module TPM

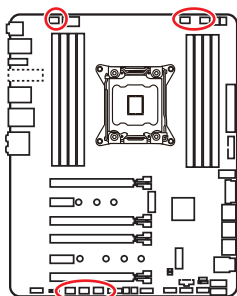
Ce connecteur est relié à un module TPM (Trusted Platform Module). Veuillez vous référer au manuel du module TPM pour plus d'informations.



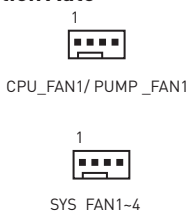
1	LPC Clock	2	3V Standby power
3	LPC Reset	4	3.3V Power
5	LPC address & data pin0	6	Serial IRQ
7	LPC address & data pin1	8	5V Power
9	LPC address & data pin2	10	No Pin
11	LPC address & data pin3	12	Ground
13	LPC Frame	14	Ground

CPU_FAN1, PUMP_FAN1, SYS_FAN1~4: Connecteurs pour ventilateurs

Les connecteurs pour ventilateurs peuvent être utilisés en mode PWM (Pulse Width Modulation) et en mode DC. En mode PWM, les connecteurs fournissent une sortie de 12V constante et ajustent la vitesse des ventilateurs avec un signal de contrôle de vitesse. En mode DC, les connecteurs contrôlent la vitesse des ventilateurs en modifiant la tension. Quand vous branchez un ventilateur à 3 broches (Non-PWM) à un connecteur de ventilateur de mode PWM, la vitesse sera toujours maintenue à 100% et cela occasionnera du bruit. Vous pouvez suivre les instructions ci-dessous pour régler manuellement le connecteur de ventilateur en mode PWM ou mode DC.



Connecteurs pour ventilateurs en mode de détection Auto



! Important

Vous pouvez alterner entre le mode PWM et le mode DC et ajuster la vitesse des ventilateurs dans le **BIOS > HARDWARE MONITOR**. Veuillez vous assurer que les ventilateurs fonctionnent correctement après avoir basculé entre les modes PWM et DC.

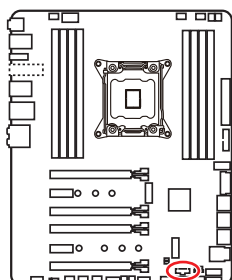
Définition des broches des connecteurs de ventilateur

Définition des broches en mode PWM			
1	Ground	2	+12V
3	Sense	4	Speed Control Signal

Définition des broches en mode DC			
1	Ground	2	Voltage Control
3	Sense	4	NC

JTBT1: Connecteur de carte additionnelle Thunderbolt

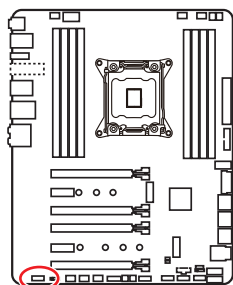
Ce connecteur vous permet de relier une carte additionnelle Thunderbolt E/S.

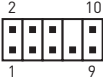


1			
1	FORCE_PWR	2	SCI_EVENT
3	SLP_S3#	4	SLP_S5#
5	Ground		

JAUD1: Connecteur audio avant

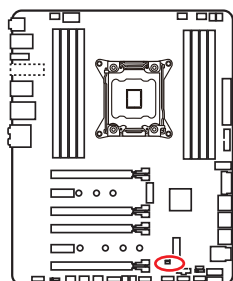
Ce connecteur se lie aux jacks audio du panneau avant.



			
1	MIC L	2	Ground
3	MIC R	4	NC
5	Head Phone R	6	MIC Detection
7	SENSE_SEND	8	No Pin
9	Head Phone L	10	Head Phone Detection

JCI1: Connecteur intrusion châssis

Ce connecteur est relié à un câble d' interrupteur intrusion châssis.



Normal
(défaut)



Commencer l'activité
intrusion châssis

Utilisation du détecteur d' intrusion châssis

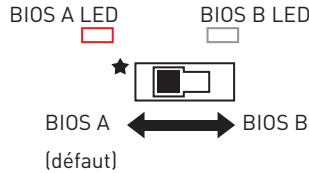
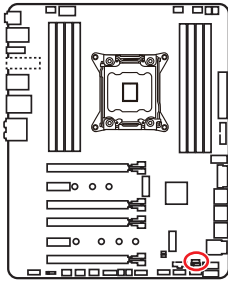
1. Reliez le connecteur **JCI1** à l' interrupteur ou au capteur d' intrusion châssis situé sur le boîtier du PC.
2. Fermez le couvercle du boîtier.
3. Allez dans le **BIOS > SETTINGS (Réglages) > Security (Sécurité) > Chassis Intrusion Configuration (Configuration intrusion châssis)**.
4. Réglez **Chassis Intrusion (intrusion châssis)** sur **Enabled (Activé)**.
5. Appuyez sur **F10** pour sauvegarder et quitter. Ensuite appuyez sur la touche **Enter (Entrée)** pour choisir **Yes (Oui)**.
6. Désormais, si le boîtier du PC est ouvert quand l' ordinateur est allumé, vous recevrez un message d' alerte à l' écran.

Réinitialisation de l' alerte intrusion châssis

1. Allez dans le **BIOS > SETTINGS (Réglages) > Security (Sécurité) > Chassis Intrusion Configuration (Configuration intrusion châssis)**.
2. Mettez **Chassis Intrusion (Intrusion châssis)** en **Reset (Remettre)**.
3. Appuyez sur **F10** pour sauvegarder et quitter. Ensuite appuyez sur la touche **Enter (Entrée)** pour choisir **Yes (Oui)**.

BIOS_SW1: Interrupteur Multi-BIOS

Cette carte mère est équipée de deux BIOS ROMs indépendants (étiquetés A et B, celui par défaut est A). Si un des deux est endommagé, vous pouvez passer à l'autre pour le démarrage par le glissement de l'interrupteur.



Restauration du BIOS

Si la mise à jour du BIOS a échoué et que le système ne peut plus démarrer, vous pouvez restaurer le BIOS en suivant les étapes suivantes. Avant la restauration, veuillez télécharger la dernière version de BIOS compatible à votre carte mère sur le site MSI. Ensuite, enregistrez le fichier BIOS sur la racine de la clé USB.

1. Eteignez l'ordinateur.
2. Basculez vers le BIOS ROM normal avec l'**interrupteur Multi-BIOS**.
3. Connectez le lecteur flash USB à l'ordinateur.
4. Allumez l'ordinateur et appuyez sur la touche **Suppr** pour entrer dans l'interface Setup du BIOS pendant le processus de POST.
5. Choisissez l'onglet **M-FLASH** et cliquez sur **Yes (Oui)** pour redémarrer le système et entrer dans le mode Flash.
6. Choisissez un profil BIOS pour commencer la restauration du BIOS.
7. Basculez vers le BIOS ROM qui a échoué avec l'**interrupteur Multi-BIOS** et cliquez sur **Yes (Oui)** pour commencer la restauration du BIOS.
8. Une fois la restauration terminée, le système redémarrera automatiquement.

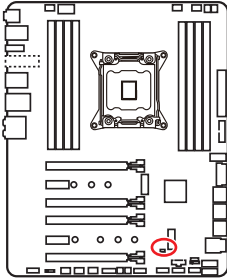


Important

- Ne pas utiliser l'interrupteur Multi-BIOS lorsque le système est en cours de démarrage.
- Vous pouvez également utiliser l'utilitaire **LIVE UPDATE** ou **BIOS FLASHBACK+** pour flasher le BIOS. Référez-vous à la section du BIOS pour plus de détails.

JBAT1: Cavalier Clear CMOS (Réinitialisation BIOS)

Une mémoire CMOS est intégrée et est alimentée en externe par une batterie située sur la carte mère afin de conserver les données de configuration système. Si vous souhaitez nettoyer la configuration système, placez le cavalier sur Effacer CMOS de manière à nettoyer la mémoire CMOS.



Conserver
les données
(défaut)



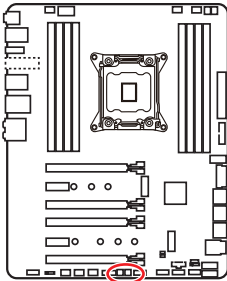
Effacer CMOS/
Réinitialiser BIOS

Réinitialiser le BIOS aux valeurs par défaut

1. Eteignez l'ordinateur et débranchez le câble d'alimentation de la prise électrique.
2. Utilisez un couvercle de cavalier pour fermer JBAT1 pour environ 5-10 secondes.
3. Enlevez le couvercle de cavalier du JBAT1.
4. Branchez de nouveau le câble d'alimentation à votre ordinateur et allumez-le.

POWER1, RESET1: Boutons d'alimentation et de réinitialisation

Les boutons d'alimentation et de réinitialisation vous permettent d'allumer ou de redémarrer l'ordinateur.



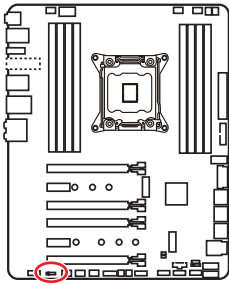
Bouton
d'alimentation



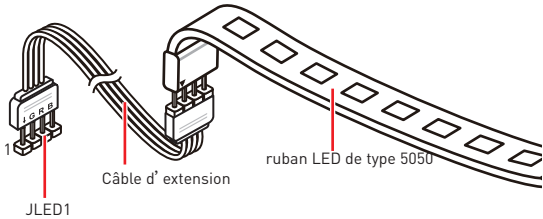
Bouton de
réinitialisation

JLED1: Connecteur LED RGB

Ce connecteur vous permet de connecter des rubans LED RGB de type 5050.



1			
1	+12V	2	G
3	R	4	B



Vidéo de démonstration

Référez-vous à la vidéo d'instruction sur l'installation des rubans LED RGB de type 5050 au connecteur LED RGB.

<https://youtu.be/CqNHyADzd2Q>

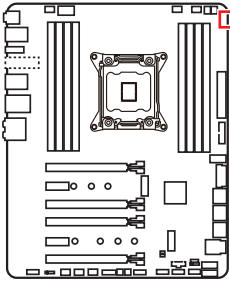
Important

- Ce connecteur supporte des rubans LED RGB (rouge/vert/bleu) de type 5050 avec une puissance nominale maximale de 3A (12V). Veuillez garder la longueur du ruban LED inférieure à 2 mètres pour éviter la gradation des couleurs.
- Avant d'installer ou de retirer le ruban LED, veuillez à toujours éteindre l'alimentation et à débrancher le câble d'alimentation de la prise électrique.
- Veuillez utiliser les logiciels de MSI pour contrôler le ruban d'extension LED.

Indicateurs LED embarqués

EZ Debug LEDs

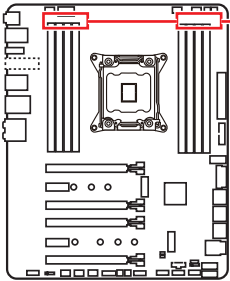
Ces LED indiquent l'état des composants clés au cours du processus de démarrage. En cas d'erreur, la LED correspondante reste allumée jusqu'à ce que le problème soit résolu.



- CPU** - indique que le CPU n° est pas détecté ou que son initialisation a échoué.
- DRAM** - indique que la mémoire DRAM n° est pas détectée ou que son initialisation a échoué.
- VGA** - indique que le GPU n° est pas détecté ou que son initialisation a échoué.
- BOOT** - indique que le périphérique de démarrage n° est pas détecté ou que son initialisation a échoué.

Indicateurs LED des barrettes DIMM

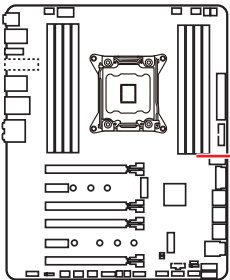
Ces LEDs indiquent que les barrettes de mémoire sont installées.



Indicateurs LED des barrettes DIMM

Indicateur LED du mode XMP

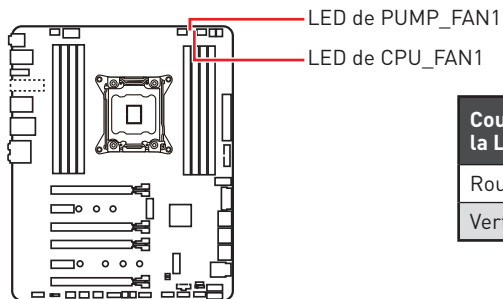
Cette LED indique que le mode XMP (Extreme Memory Profile) est activé.



Indicateur LED du mode XMP

Indicateurs LED des ventilateurs

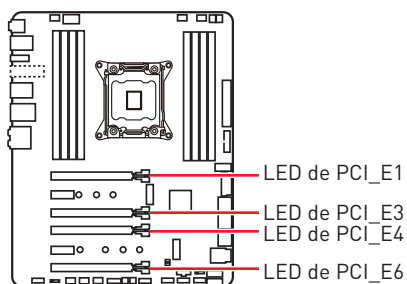
Ces LEDs indiquent le mode de contrôle de ventilateurs.



Couleur de la LED	Mode de contrôle de ventilateurs
Rouge	mode PWM
Vert	mode DC

Indicateurs LED du slot PCIe x16

Ces LED indiquent l'état des slots PCIe x16.



Couleur de la LED	Etat de la vitesse du slot PCIe
Rouge	x16
Blanc	x8, x4, x1

Debug Code LED

La Debug Code LED affiche les codes de progression et d'erreur pendant et après le processus de POST. Référez-vous au tableau de Debug Code LED pour plus de détails.

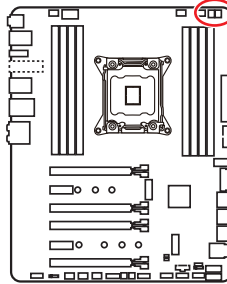


Tableau des caractères hexadécimaux

Hexadécimaux	0	1	2	3	4	5	6	7	8	9	A	B	C	D	E	F
Affichage de Debug Code LED	0	1	2	3	4	5	6	7	8	9	A	b	C	d	E	F

Phase de démarrage

Sécurité (SEC) - initialisation de très bas niveau

Initialisation Pre-EFI (PEI) - initialisation de la mémoire

Environnement d'exécution des pilotes (DXE) - initialisation du matériel principal

Sélection du périphérique de démarrage (BDS) - la configuration du système, l'interface d'utilisateur de pré-OS et la sélection d'un périphérique amorçable (CD/DVD, disque dur, USB, réseau, interface système, etc.)

Tableau de Debug Code LED

Codes de progression SEC

01	Sous tension. Détection du type de réinitialisation (soft/hard).
02	Initialisation AP avant chargement du microcode.
03	Initialisation de l'agent système avant chargement du microcode.
04	Initialisation PCH avant chargement du microcode.
06	Chargement du microcode
07	Initialisation AP après chargement du microcode.

08	Initialisation de l'agent système après chargement du microcode.
09	Initialisation PCH après chargement du microcode.
0B	Initialisation du cache

Codes d'erreur SEC

0C - 0D	Réservé aux futurs codes d'erreur AMI SEC.
0E	Microcode introuvable
0F	Microcode non chargé

Codes de progression PEI

10	Le cœur PEI est lancé.
----	------------------------

11	L'initialisation de la pré-mémoire du processeur est lancée.
12 - 14	Initialisation de la pré-mémoire du processeur (module processeur spécifique)
15	L'initialisation de la pré-mémoire de l'agent système est lancée.
16 - 18	Initialisation de la pré-mémoire de l'agent système (module agent système spécifique)
19	L'initialisation de la pré-mémoire du PCH est lancée.
1A - 1C	Initialisation de la pré-mémoire du PCH (module PCH spécifique)
2B	Initialisation de la mémoire. Lecture des données SPD
2C	Initialisation de la mémoire. Détection de présence de la mémoire
2D	Initialisation de la mémoire. Information sur la programmation de synchronisation de la mémoire
2E	Initialisation de la mémoire. Configuration de la mémoire
2F	Initialisation de la mémoire (autre)
31	Mémoire installée.
32	L'initialisation de la post-mémoire du processeur est lancée.
33	Initialisation de la post-mémoire du processeur. Initialisation du cache.
34	Initialisation de la post-mémoire du processeur. Initialisation du ou des processeurs d'application (AP)
35	Initialisation de la post-mémoire du processeur. Sélection du processeur d'amorçage (BSP)
36	Initialisation de la post-mémoire du processeur. Initialisation du mode de gestion du système (SMM)
37	L'initialisation de la post-mémoire de l'agent système est lancée.
38 - 3A	Initialisation de la post-mémoire de l'agent système (module agent système spécifique)
3B	L'initialisation de la post-mémoire du PCH est lancée.
3C - 3E	Initialisation de la post-mémoire du PCH (module PCH spécifique)

4F	DXE IPL est lancé.
----	--------------------

Codes d'erreur PEI

50	Erreur d'initialisation de la mémoire. Type de mémoire invalide ou vitesse de mémoire incompatible.
51	Erreur d'initialisation de la mémoire. La lecture du SPD a échoué.
52	Erreur d'initialisation de la mémoire. Taille de mémoire invalide ou modules de mémoire incompatibles
53	Erreur d'initialisation de la mémoire. Aucune mémoire utilisable n'est détectée.
54	Erreur d'initialisation de la mémoire non spécifiée
55	Mémoire non installée
56	Type de processeur ou vitesse invalide
57	Le processeur ne correspond pas.
58	Echec de l'auto-test du processeur ou possibilité d'erreur du cache du processeur
59	Le microcode du processeur est introuvable ou la mise à jour du microcode a échoué.
5A	Erreur du processeur interne
5B	La réinitialisation PPI n'est pas disponible.
5C - 5F	Réservé aux futurs codes d'erreur AMI

Codes de progression DXE

60	Le coeur DXE est lancé.
61	Initialisation de la NVRAM
62	Installation des services d'exécution du PCH
63	L'initialisation du processeur DXE est lancée.
64 - 67	Initialisation du processeur DXE (module processeur spécifique)
68	Initialisation du pont hôte PCI
69	L'initialisation de l'agent système DXE est lancée.
6A	L'initialisation de l'agent système DXE SMM est lancée.

6B - 6F	Initialisation de l'agent système DXE (module agent système spécifique)
70	L'initialisation du PCH DXE est lancée.
71	L'initialisation du PCH DXE SMM est lancée.
72	Initialisation des périphériques du PCH
73 - 77	Initialisation du PCH DXE (module PCH spécifique)
78	Initialisation du module ACPI
79	Initialisation CSM
7A - 7F	Réservé aux futurs codes AMI DXE
90	La phase de sélection du périphérique de démarrage (BDS) est lancée.
91	La connexion du pilote est lancée.
92	L'initialisation du bus PCI est lancée.
93	Initialisation du contrôleur de branchement à chaud du bus PCI
94	Énumération du bus PCI 32
95	Demande des ressources du bus PCI
96	Distribution des ressources du bus PCI
97	Connexion du périphérique de sortie de console
98	Connexion du périphérique d'entrée de console
99	Initialisation Super IO
9A	L'initialisation USB est lancée.
9B	Réinitialisation USB
9C	Détection USB
9D	USB activée
9E - 9F	Réservé aux futurs codes AMI
A0	L'initialisation IDE est lancée.
A1	Réinitialisation IDE
A2	Détection IDE
A3	IDE activé
A4	L'initialisation SCSI est lancée.
A5	Réinitialisation SCSI
A6	Détection SCSI
A7	SCSI activé
A8	Configuration de vérification du mot de passe
A9	Démarrage de la configuration
AB	Configuration de l'attente d'entrée

AD	Événement Prêt à démarrer
AE	Événement de démarrage du mode Legacy Boot (Démarrage hérité)
AF	Quitter l'événement des services de démarrage
B0	Début de temps de définition d'adresse virtuelle MAP
B1	Fin de temps de définition d'adresse virtuelle MAP
B2	Initialisation des options Legacy de la mémoire ROM
B3	Réinitialisation du système
B4	Branchement à chaud de la USB
B5	Branchement à chaud du bus PCI
B6	Nettoyage de la NVRAM
B7	Réinitialisation de la configuration (réinitialisation des paramètres NVRAM)
B8 - BF	Réservé aux futurs codes AMI

Codes d'erreur DXE

D0	Erreur d'initialisation du processeur
D1	Erreur d'initialisation de l'agent système
D2	Erreur d'initialisation du PCH
D3	Certains protocoles architecturaux ne sont pas disponibles.
D4	Erreur d'allocation des ressources PCI. Manque de ressources.
D5	Aucun espace pour les options Legacy de la mémoire ROM.
D6	Aucun périphérique de sortie de console n'est trouvé.
D7	Aucun périphérique d'entrée de console n'est trouvé.
D8	Mot de passe invalide
D9	Erreur lors du chargement de l'option de démarrage (erreur LoadImage)
DA	Echec de l'option de démarrage (erreur StartImage)
DB	Echec de la mise à jour du flash
DC	Le protocole de réinitialisation n'est pas disponible.

Codes de progression de reprise S3

E0	La reprise S3 est lancée (le PPI de reprise S3 est appelé par le DXE IPL).
E1	Exécution du Boot Script S3
E2	Reposter la vidéo
E3	Appel du vecteur d' éveil S3 du système d' exploitation
E4 - E7	Réservé aux futurs codes de progression AMI

Codes d' erreur de reprise S3

E8	Echec de reprise S3
E9	Reprise S3 PPI introuvable
EA	Erreur de script de reprise démarrage S3
EB	Erreur de réveil du système d' exploitation S3
EC - EF	Réservé aux futurs codes d' erreur AMI

Codes de progression de la récupération

F0	Condition de récupération déclenchée par le firmware (récupération automatique)
F1	Condition de récupération déclenchée par l' utilisateur (récupération forcée)
F2	Le processus de récupération est lancé.
F3	L' image de la récupération du firmware est trouvée.
F4	L' image de la récupération du firmware est chargée.
F5 - F7	Réservé aux futurs codes de progression AMI

Codes d' erreur de récupération

F8	La récupération PPI n' est pas disponible.
F9	La capsule de récupération est introuvable.
FA	Capsule de récupération invalide
FB - FF	Réservé aux futurs codes d' erreur AMI

Codes d' état ACPI

Les codes suivants apparaissent après le démarrage et après l' entrée du système d' exploitation en mode ACPI.

01	Le système entre en état de veille S1.
02	Le système entre en état de veille S2.
03	Le système entre en état de veille S3.
04	Le système entre en état de veille S4.
05	Le système entre en état de veille S5.
10	Le système sort de l' état de mode veille S1.
20	Le système sort de l' état de mode veille S2.
30	Le système sort de l' état de mode veille S3.
40	Le système sort de l' état de mode veille S4.
AC	Le système est passé en mode ACPI. Le contrôleur d' interruption est en mode PIC.
AA	Le système est passé en mode ACPI. Le contrôleur d' interruption est en mode APIC.

Température du processeur

00 - 99	Affiche la température du processeur après le démarrage complet du système d' exploitation.
----------------	---

Mettre le firmware LED à jour

La mise à jour du firmware LED peut améliorer les effets du rétroéclairage.

Pour mettre le firmware LED à jour :

1. Installez et lancez MSI LIVE UPDATE 6.
2. Allez dans **BIOS Update (Mettre le BIOS à jour)**.
3. Cliquez sur le bouton **Scan**. Si une mise à jour est disponible, la nouvelle version du firmware apparaîtra dans la liste.
4. Choisissez le firmware dans la liste.



5. Cliquez sur le bouton **Total Installer** pour télécharger et installer le firmware.
6. Une fois l'installation terminée, vous devrez redémarrer votre ordinateur pour activer le firmware LED.

Configuration du BIOS

Les réglages par défaut fournissent une performance optimale pour la stabilité du système en conditions normales. Veuillez à **toujours garder les réglages par défaut** pour éviter d'endommager le système ou tout problème au démarrage, sauf si vous êtes familier avec le BIOS.



Important

- Le BIOS est constamment mis à jour afin d'offrir de meilleures performances système. Par conséquent, la description peut différer selon la version de BIOS utilisée et n'est donc donnée qu'à titre de référence. Vous pouvez aussi vous référer à l'onglet **Help (Aide)** pour obtenir la description des fonctions du BIOS.
- Les photos ne sont données qu'à titre de référence et peuvent varier selon le produit que vous achetez.

Entrer dans l'interface Setup du BIOS

Pour entrer dans l'interface Setup du BIOS, vous pouvez suivre ces deux méthodes :

- Pendant le démarrage, lorsqu'apparaît le message "**Press DEL key to enter Setup Menu, F11 to enter Boot Menu**" sur l'écran, veuillez appuyer sur la touche **Suppr.**
- Quand l'ordinateur est déjà en marche, vous pouvez utiliser l'application **MSI FAST BOOT**. Cliquez sur le bouton **GO2BIOS** puis sur **OK**. Le système redémarre et entre dans l'interface Setup du BIOS.



Cliquez sur **GO2BIOS**

Touches de fonction

- F1:** Aide générale
 - F2:** Ajouter ou supprimer un élément favori
 - F3:** Entrer dans le menu Favoris
 - F4:** Entrer dans le menu de réglages du processeur
 - F5:** Entrer dans le menu Memory-Z
 - F6:** Charger les réglages par défaut
 - F7:** Alternner entre le mode avancé et le mode simplifié
 - F8:** Charger le profil d'overclocking
 - F9:** Sauvegarder le profil d'overclocking
 - F10:** Sauvegarder les modifications et réglages*
 - F12:** Prendre une capture d'écran et la conserver dans le lecteur flash USB (au format FAT/ FAT32 uniquement).
- Ctrl+F:** Entrer dans la page de recherche

* Lorsque vous appuyez sur F10, une fenêtre de confirmation apparaît et fournit l'information de modification. Choisissez entre Oui et Non pour confirmer.

Réinitialiser le BIOS

Il se peut que vous ayez besoin de récupérer les réglages BIOS par défaut pour résoudre des problèmes. Pour réinitialiser les réglages du BIOS, veuillez suivre l'une des méthodes suivantes :

- Allez dans le Setup du BIOS et appuyez sur **F6** pour charger les réglages par défaut.
- Court-circuitez le cavalier/ bouton **Clear CMOS** sur la carte mère.

Important

Assurez-vous que l'ordinateur est éteint avant d'effacer les données CMOS. Veuillez vous référer à la section cavalier/ bouton **Clear CMOS** pour en savoir plus sur la réinitialisation du BIOS.

Mettre le BIOS à jour

Mettre le BIOS à jour avec M-FLASH

Avant la mise à jour :

Veuillez télécharger la dernière version de BIOS compatible à votre carte mère sur le site MSI. Ensuite, veuillez sauvegarder le nouveau BIOS sur le lecteur flash USB.

Mettre le BIOS à jour :

1. Appuyez sur la touche Suppr pour entrer dans l'interface Setup du BIOS pendant le processus de POST.
2. Connectez le lecteur Flash USB contenant le profil à l'ordinateur.
3. Choisissez l'onglet **M-FLASH** et cliquez sur **Yes (Oui)** pour redémarrer le système et entrer dans le mode Flash.
4. Choisissez un profil BIOS pour commencer la mise à jour du BIOS.
5. Une fois la mise à jour terminée, le système redémarrera automatiquement.

Mettre le BIOS à jour avec Live Update 6

Avant la mise à jour :

Assurez-vous que le lecteur LAN est bien installé et que l'ordinateur est correctement connecté à internet.

Mettre le BIOS à jour :

1. Installez et lancez MSI LIVE UPDATE 6.
2. Choisissez **BIOS Update (Mettre le BIOS à jour)**.
3. Cliquez sur le bouton **Scan**.
4. Cliquez sur l'icône **Download** pour télécharger et installer la dernière version du BIOS.
5. Cliquez sur **Next (Suivant)** et choisissez le mode **In Windows**. Ensuite, cliquez sur **Next (Suivant)** et **Start (Commencer)** pour lancer la mise à jour du BIOS.
6. Une fois la mise à jour terminée, le système redémarrera automatiquement.

Mettre le BIOS à jour avec BIOS FLASHBACK+

Avant la mise à jour :

Veillez télécharger la dernière version du BIOS compatible à votre carte mère sur le site MSI et renommer le BIOS en **MSI.ROM**. Ensuite, veuillez sauvegarder le profil **MSI.ROM** sur le répertoire racine du lecteur flash USB.

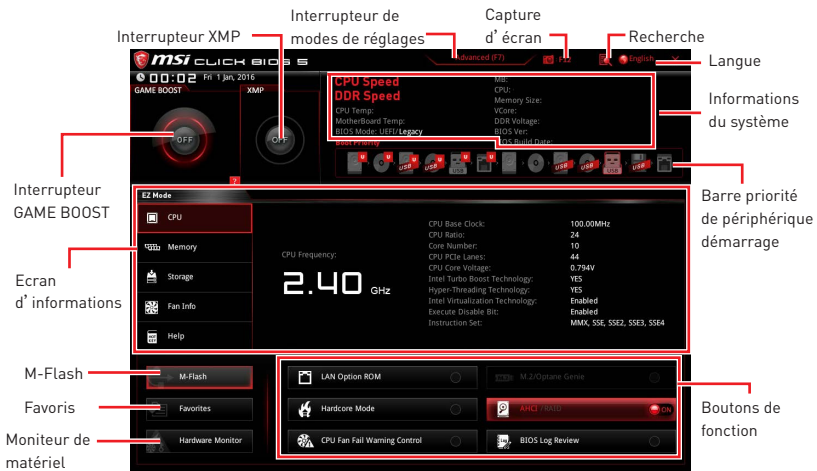


*Seul un lecteur flash USB au format FAT32 supporte la mise à jour du BIOS avec **BIOS FLASHBACK+**.*

1. Connectez l'alimentation aux connecteurs **CPU_PWR1** et **ATX_PWR1**. (ici, seul le module d'alimentation est nécessaire)
2. Branchez le lecteur flash USB contenant le fichier MSI.ROM au port BIOS FLASHBACK+ situé sur le panneau arrière Entrée/ Sortie.
3. Appuyez sur le bouton BIOS FLASHBACK+ pour activer le BIOS. L'indicateur du bouton BIOS FLASHBACK+ commence à clignoter.
4. Une fois la mise à jour terminée, l'indicateur du bouton arrête de clignoter et s'éteint.

EZ Mode (mode simplifié)

Le mode EZ vous fournit les informations basiques du système et vous permet de configurer les réglages de base. Si vous souhaitez configurer les réglages du BIOS, veuillez utiliser le mode Advanced en appuyant sur le **switch Setup Mode (Interrupteur de modes de réglages)** ou la touche de fonction **F7**.



- **Interrupteur GAME BOOST** - appuyez sur le bouton **GAME BOOST** pour activer cette fonctionnalité.

Important

Après l'activation de la fonction **GAME BOOST**, il est conseillé de ne faire aucune modification dans menu **OC** et de ne pas charger les réglages par défauts pour conserver des performances optimales et une bonne stabilité du système.

- **Interrupteur XMP** - cliquez sur le cercle intérieur pour activer ou désactiver le profil XMP (Extreme Memory Profile). Cliquez sur le cercle extérieur pour choisir le profil XMP. Cet interrupteur est seulement disponible si le profil XMP supporte le module de mémoire installé.
- **Interrupteur de modes de réglages** - appuyez sur ce menu ou la touche **F7** pour commuter entre le mode avancé et le mode simplifié.
- **Capture d'écran** - appuyez sur ce menu ou sur la touche **F12** pour prendre une capture d'écran et la conserver dans le lecteur flash USB (lecteur flash USB au format FAT ou FAT32 uniquement).
- **Recherche** - cliquez sur cet onglet ou sur les touches **Ctrl+F** pour faire apparaître la page de recherche. Cette page vous permet de faire des recherches en utilisant les noms des éléments du BIOS. Entrez le nom de l'élément et vous le trouverez ensuite dans la liste qui s'affichera alors. Déplacez la souris sur un espace vierge et faites un clic droit pour quitter la page de recherche.

Important

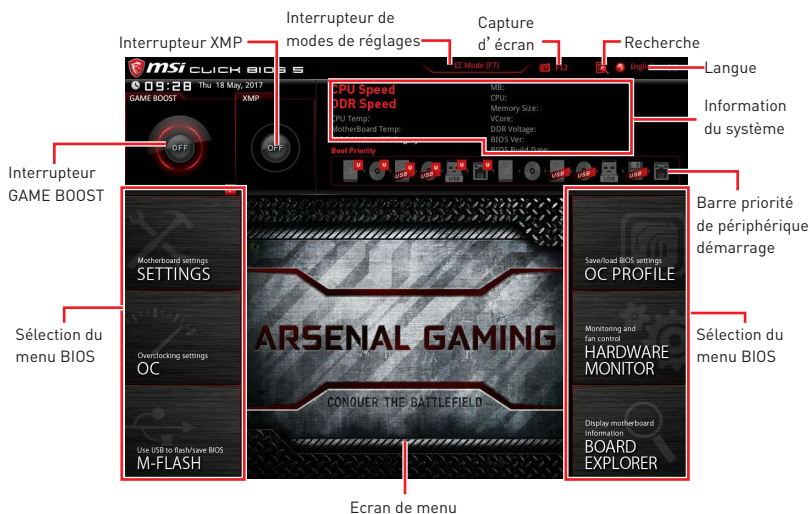
Dans la page de recherche, seules les touches de fonction **F6**, **F10** et **F12** sont disponibles.

- **Langue** - vous permet de choisir la langue du BIOS.

- **Informations du système** - montre la vitesse et la tension du processeur et de la mémoire, la température du processeur et de la carte mère, le type de carte mère et de processeur, la capacité mémoire, la version du BIOS et la date d'installation.
- **Barre priorité de périphérique démarrage** - vous pouvez déplacer les icônes dédiés aux périphériques pour modifier la priorité au démarrage. Le sens de la priorité va de gauche à droite.
- **Ecran d'informations** - cliquez sur les boutons **CPU (Processeur)**, **Memory (Mémoire)**, **Storage (Stockage)**, **Fan Info (Info ventilateurs)** et **Help (Aide)** à gauche de la fenêtre pour obtenir les informations respectives.
- **Boutons de fonction** - en cliquant sur leur bouton respectif, vous pourrez activer les fonctions **LAN Option ROM**, **M.2/Optane Genie**, **Hardcore mode**, **AHCI**, **RAID**, **CPU Fan Fail Warning Control** et **BIOS Log Review**.
 - **Mode Hardcore** - Lorsque cette fonction est activée, réglez et maintenez le CPU en mode de pleine vitesse pour optimiser les performances du système. Cette fonctionnalité augmentera la consommation d'énergie.
- **M-Flash** - cliquez sur ce bouton pour faire apparaître le menu **M-Flash** qui fournit la méthode de mise à jour BIOS à l'aide d'un disque flash USB.
- **Moniteur de matériel** - cliquez sur ce bouton pour faire apparaître le menu **Moniteur de matériel** qui vous permet de contrôler manuellement la vitesse des ventilateurs.
- **Favoris** - appuyez sur l'onglet **Favoris** ou appuyez sur la touche **F3** pour entrer dans le menu **Favoris**. Il vous permet de créer un menu BIOS personnalisé où vous pourrez sauvegarder et accéder à vos réglages favoris ou fréquemment utilisés.
 - **Default Homepage (page d'accueil par défaut)** - vous permet de choisir l'un des menus du BIOS (par exemple, Réglages, OC, etc.) comme page d'accueil.
 - **Favorite 1 ~ 5 (Favoris 1 ~ 5)** - vous permettent d'afficher les menus de réglages BIOS fréquemment utilisés ou les favoris sur une seule page.
 - **Ajouter les menus BIOS sur une seule page des favoris (Favoris 1~5)**
 1. Déplacez la souris sur un élément du BIOS, pas seulement dans le menu du BIOS mais également sur la page de recherche.
 2. Faites un clic droit ou appuyez sur la touche **F2**.
 3. Choisissez une page de favoris et cliquez sur **OK**.
 - **Supprimer un paramètre du BIOS de la page des favoris**
 1. Déplacez la souris sur un élément du BIOS sur la page des favoris (Favoris 1~5).
 2. Faites un clic droit ou appuyez sur la touche **F2**.
 3. Choisissez **Delete (Effacer)** et cliquez sur **OK**.

Advanced Mode (mode avancé)

Appuyez sur le **Setup Mode switch (interrupteur de modes de réglages)** ou sur la touche de fonction **F7** pour commuter entre le mode simplifié et le mode avancé.



Ecran de menu

• **Interrupteur GAME BOOST/ Interrupteur XMP/ Interrupteur de modes de réglages/ Capture d'écran/ Favoris/ Langue/ Information du système/ Barre priorité de périphérique démarrage** - veuillez vous référer à la partie EZ mode pour plus de précision.

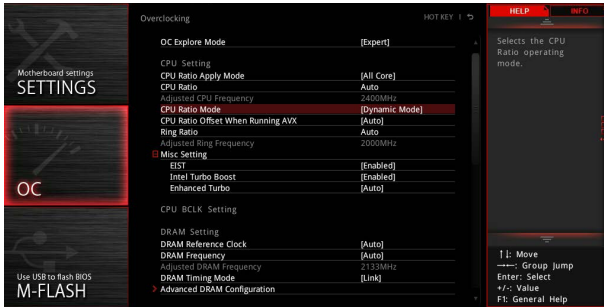
• **Sélection du menu BIOS** - les options suivantes sont disponibles :

- **SETTINGS (Réglages)** - permet de personnaliser les paramètres du chipset et du démarrage des périphériques.
- **OC** - permet d'ajuster la fréquence et la tension. L'augmentation de la fréquence peut améliorer les performances.
- **M-FLASH** - permet de mettre le BIOS à jour avec un lecteur flash USB.
- **OC PROFILE** - permet de gérer les profils d'overclocking.
- **HARDWARE MONITOR (Moniteur de matériel)** - permet de régler la vitesse des ventilateurs et de surveiller la tension du système.
- **BOARD EXPLORER** - fournit des informations sur les périphériques installés sur la carte mère.

• **Ecran de menu** - affiche les menus de réglages BIOS et les informations à configurer.

OC Menu (menu overclocking)

Ce menu est destiné aux utilisateurs avancés souhaitant overclocker leur carte mère.



! Important

- L'overclocking manuel du PC n'est recommandé que pour les utilisateurs avancés.
- L'overclocking n'est pas garanti et une mauvaise manipulation peut rendre nulle votre garantie et sévèrement endommager votre matériel.
- Si vous n'êtes pas familier avec l'overclocking, nous vous recommandons d'utiliser **GAME BOOST** pour un overclocking simplifié et plus stable.

► OC Explore Mode [Normal]

Active ou désactive le mode Normal ou Expert des réglages OC.

[Normal] Fournit les réglages OC standards dans les réglages BIOS.

[Expert] Fournit les réglages OC avancés pour les utilisateurs avancés et à configurer dans les réglages BIOS.

Remarque : Nous utilisons le symbole * pour indiquer les réglages OC du mode Expert.

► CPU Ratio Apply Mode [All Core]*

Règle le mode d'application en cours pour le ratio (ou multiplicateur du processeur). Ce menu n'apparaît que si le processeur installé est compatible avec **Turbo Boost**.

[All Core] Active le paramètre **CPU Ratio**. Tous les cœurs du processeur fonctionnent avec le même ratio, paramétré dans **CPU Ratio**.

[Per Core] Active le **X-Core Ratio Limit** qui règle le ratio de chaque cœur processeur de manière indépendante.

► CPU Ratio [Auto]

Définit le ratio servant à déterminer la vitesse d'horloge du processeur. Ce menu peut être modifié uniquement si le processeur prend cette fonction en charge.

► Adjusted CPU Frequency

Montre la fréquence ajustée du processeur. Fonctionne en lecture seule.

► CPU Ratio Mode [Dynamic Mode]*

Choisit le mode d'opération du ratio du processeur. Ce menu apparaît lorsque vous réglez le ratio manuellement.

[Fixed Mode] Fixe le ratio.

[Dynamic Mode] Le ratio sera modifié dynamiquement selon la charge du processeur.

► CPU Ratio Offset When Running AVX [Auto]

Définit une valeur de décalage pour réduire le ratio du cœur CPU. Cela est utile pour la dissipation de chaleur lors de l'exécution du jeu d'instruction AVX. Mis en Auto, le BIOS configure ce réglage automatiquement. Ce menu apparaît lorsque le processeur installé prend cette fonction en charge.

► Ring Ratio [Auto]

Définit le ratio Ring (soit du cache du processeur). La gamme de valeurs valides dépend du processeur installé.

► Adjusted Ring Frequency

Montre la fréquence Ring modifiée. Fonctionne en lecture seule.

► Misc Setting*

Appuyez sur les touches Entrée et + ou - pour ouvrir ou fermer les 3 paramètres suivants, relatifs aux fonctionnalités du processeur.

► EIST [Enabled]*

Active ou désactive la technologie Enhanced Intel® SpeedStep Technology.

[Enabled] Active la technologie EIST pour ajuster la tension du processeur et de la fréquence du cœur de manière dynamique. Cela diminue la consommation d'énergie et la production de chaleur moyennes.

[Disabled] Désactive EIST.

► Intel Turbo Boost [Enabled]*

Active ou désactive Intel® Turbo Boost. Ce menu apparaît lorsque le processeur installé prend cette fonction en charge.

[Enabled] Active la fonction d'augmentation automatique des performances du processeur afin de dépasser la limite définie lorsque le système exige un niveau de performances plus élevé.

[Disabled] Désactive cette fonction.

► Enhanced Turbo [Auto]*

Active ou désactive la fonction Enhanced Turbo pour tous les cœurs du processeur afin d'augmenter les performances du processeur. Ce menu apparaît lorsque le processeur installé prend cette fonction en charge.

[Auto] Ce réglage est configuré automatiquement par le BIOS.

[Enabled] Le ratio de tous les cœurs du processeur sont augmentés au maximum.

[Disabled] Désactive cette fonction.

► Extreme Memory Profile (X.M.P.) [Disabled]

La technologie d'overclocking X.M.P. (Extreme Memory Profile) permet un overclocking par l'intermédiaire du module de mémoire. Activez la technologie XMP ou sélectionnez un profil de module de mémoire pour overclocker la mémoire. Ce menu est seulement disponible si vous disposez de modules de mémoire prenant en charge la technologie XMP.

► DRAM Reference Clock [Auto]*

Définit la valeur d'horloge de référence de la mémoire. La gamme de valeur valide dépend du processeur installé. Ce menu est seulement disponible si le processeur installé supporte cette fonction.

► DRAM Frequency [Auto]

Définit la fréquence de la mémoire. Veuillez noter que les résultats de l'overclocking ne sont pas garantis.

► Adjusted DRAM Frequency

Affiche la fréquence ajustée de la mémoire. Fonctionne en lecture seule.

► DRAM Timing Mode [Link]

Choisit le mode de latences mémoire.

[Link] Ceci vous permet de configurer les latences DRAM pour tous les canaux de mémoire.

[UnLink] Ceci vous permet de configurer les latences DRAM pour chaque canal de mémoire.

► Advanced DRAM Configuration

Appuyez sur la touche **Entrée** pour entrer dans le sous-menu. L'utilisateur peut régler la synchronisation de mémoire de chaque barrette de mémoire. Le système peut être instable ou peut ne plus redémarrer après le changement de la synchronisation de la mémoire. Dans ce cas-là, veuillez effacer les données CMOS et remettre les réglages par défaut (référez-vous à la section bouton/ cavalier Clear CMOS pour effacer les données CMOS et entrez ensuite dans le BIOS pour charger les réglages par défaut).

► Memory Fast Boot [Auto]*

Active ou désactive l'initialisation et le test de la mémoire à chaque démarrage.

[Auto] Ce réglage est automatiquement configuré par le BIOS.

[Enabled] La mémoire imitera complètement l'archive de la première initiation et la première formation. La mémoire n'est ensuite plus initialisée ni testée au moment du démarrage, de façon à accélérer le démarrage du système.

[Disabled] La mémoire est initialisée et testée à chaque démarrage.

► DigitALL Power

Appuyez sur la touche **Entrée** pour entrer dans le sous-menu. Gère l'alimentation numérique du contrôleur PWM du processeur.

► SVID Communication [Auto]*

Active ou désactive le support SVID (Serial Voltage Identification).

[Auto] Ce réglage est configuré automatiquement par le BIOS.

[Enabled] La phase PWM est modifiée dynamiquement selon le CPU SVID (Serial Voltage Identification).

[Disabled] Désactive le support SVID (Serial Voltage Identification).

► VCCIN Voltage [Auto]

Définit la tension d'entrée du CPU. La tension d'entrée du CPU est la source d'alimentation du CPU partagée avec ses composants.

► CPU Voltages control [Auto]

Permet de définir les tensions relatives au processeur. En mode **Auto**, le BIOS configure ces tensions automatiquement. Vous pouvez également les paramétrer manuellement.

► DRAM Voltages control [Auto]

Permet de définir les tensions relatives à la mémoire. En mode **Auto**, le BIOS configure ces tensions automatiquement. Vous pouvez également les paramétrer manuellement.

► PCH Voltages control [Auto] (en option)

Permet de définir les tensions relatives à la puce PCH. En mode **Auto**, le BIOS configure ces tensions automatiquement. Vous pouvez également les paramétrer manuellement.

► CPU Memory Changed Detect [Enabled]*

Active ou désactive les messages d'alerte système au démarrage suite au remplacement du processeur ou de la mémoire.

[Enabled] Le système montre un message d'alerte pendant le démarrage et vous devez charger les réglages par défaut pour les nouveaux périphériques.

[Disabled] Désactive cette fonction et garde les réglages BIOS actuels.

► CPU Specifications

Appuyez sur la touche **Entrée** pour accéder au sous-menu. Ce sous-menu affiche les caractéristiques du processeur installé. Vous pouvez également accéder à ce sous-menu à tout moment en appuyant sur la touche **[F4]**. Fonctionne en lecture seule.

► CPU Technology Support

Appuyez sur la touche **Entrée** pour accéder au sous-menu. Ce sous-menu affiche les principales fonctions et technologies prises en charge par le processeur installé. Fonctionne en lecture seule.

► MEMORY-Z

Appuyez sur la touche **Entrée** pour accéder au sous-menu. Ce sous-menu affiche tous les réglages et timings de la mémoire installée. Vous pouvez également accéder à ce sous-menu à tout moment en appuyant sur la touche **[F5]**.

► DIMMx Memory SPD

Appuyez sur la touche **Entrée** pour accéder au sous-menu. Ce sous-menu affiche les caractéristiques de la mémoire installée. Fonctionne en lecture seule.

► CPU Features

Appuyez sur la touche **Entrée** pour accéder au sous-menu.

► Hyper-Threading [Enabled]

La technologie d'hyper-threading traite chaque cœur processeur comme un processeur logique indépendant doté de ses propres données et permet de les faire fonctionner de manière simultanée. Ainsi, les performances système sont grandement améliorées. Cette fonction ne sera utilisable que si le processeur installé y est compatible.

[Enable] Active la technologie Intel Hyper-Threading.

[Disabled] Désactive la fonction si le système n'y est pas compatible.

► Active Processor Cores [All]

Vous permet de choisir le nombre des coeurs actifs.

► Limit CPUID Maximum [Disabled]

Active ou désactive la valeur CPUID maximum.

[Enabled] Le BIOS limite la valeur maximale d'entrée de CPUID pour contourner le problème de démarrage avec un système d'exploitation ne prenant pas en charge le processeur doté d'une valeur CPUID plus élevée.

[Disabled] Utilise la valeur maximale d'entrée de CPUID actuelle.

► Intel Virtualization Tech [Enabled]

Active ou désactive la technologie Intel Virtualization.

[Enabled] Active la technologie Intel Virtualization et autoriser une plate-forme visant à faire fonctionner plusieurs systèmes d'exploitation dans des partitions indépendentes. Le système peut fonctionner virtuellement comme des systèmes multiples.

[Disabled] Désactive cette fonction.

► Intel VT-D Tech [Disabled]

Active ou désactive la technologie Intel VT-D (Intel Virtualization for Direct I/O).

► Hardware Prefetcher [Enabled]

Active ou désactive le prefetcher matériel (MLC Streamer prefetcher).

[Enabled] Permet au prefetcher matériel d'acquérir automatiquement les données et les instructions dans le cache L2 de la mémoire pour ajuster les performances du processeur.

[Disabled] Désactive le prefetcher matériel.

► Adjacent Cache Line Prefetch [Enabled]

Active ou désactive le prefetcher matériel du processeur (MLC Spatial prefetcher).

[Enabled] Active le prefetcher de la ligne de cache adjacente pour réduire le temps de latence et ajuster les performances dans l'application spécifique.

[Disabled] Active seulement la ligne de cache exigée.

► CPU AES Instructions [Enabled]

Active ou désactive le support CPU AES (Advanced Encryption Standard-New Instructions). Ce menu apparaît si le processeur prend cette fonction en charge.

► Intel Adaptive Thermal Monitor [Enabled]

Active ou désactive la fonction de régulation adaptative de la température du moniteur Intel pour protéger le processeur contre la surchauffe.

[Enabled] Ralentit l'horloge du cœur processeur lorsque sa température dépasse la température du régulateur adaptatif.

[Disabled] Désactive cette fonction.

► Intel C-State [Auto]

Intel C-state est une technologie de gestion d'alimentation du processeur définie par l'interface ACPI.

- [Auto] Ce réglage est configuré automatiquement par le BIOS.
- [Enabled] Détecte quand le système est inactif et réduit en conséquence la consommation d'énergie du processeur.
- [Disabled] Désactive cette fonction.

► C1E Support [Disabled]

Active ou désactive la fonction C1E pensée pour économiser l'énergie. En effet, le système d'exploitation envoie une requête au processeur pour le forcer à s'arrêter. Ce menu apparaît lorsque **Intel C-State** est activé.

- [Enabled] Active la fonction C1E pour réduire la fréquence et la tension du processeur et visant à économiser l'énergie quand le système est éteint.
- [Disabled] Désactive cette fonction.

► Package C-State Limit [Auto]

Ce menu permet de choisir un mode C-state du processeur pour économiser l'énergie lorsque le système est en veille. Ce menu apparaît lorsque la fonction **Intel C-State** est activée.

► CFG Lock [Enabled]

Verrouille ou déverrouille la fonction MSR 0xE2[15], CFG lock bit.

- [Enabled] Verrouille le CFG lock bit.
- [Disabled] Déverrouille le CFG lock bit.

► Long Duration Power Limit (W) [Auto]

Définit le niveau d'alimentation maximum que le TDP (enveloppe thermique) du processeur peut supporter sur une longue période et en mode Turbo Boost.

► Long Duration Maintained (s) [Auto]

Définit la durée d'utilisation de la fonction Long Duration Power Limit (W).

► Short Duration Power Limit (W) [Auto]

Définit le niveau d'alimentation maximum que le TDP (enveloppe thermique) du processeur peut supporter sur une courte période et en mode Turbo Boost.

► CPU Current Limit (A) [Auto]

Définit le niveau d'alimentation maximum du package du processeur en mode Turbo Boost. Lorsque cette valeur est supérieure à une valeur définie, le processeur réduit automatiquement la fréquence du cœur pour réduire la consommation d'énergie.

► FCLK Frequency [Auto]

Définit la fréquence du signal d'horloge pour mettre sous en tension tôt. Une fréquence FCLK réduite peut vous aider à conserver une fréquence de base élevée.

► DMI Link Speed [Auto]

Définit la vitesse de l'interface DMI (Direct Media Interface), qui relie la partie Northbridge de la carte à la partie Southbridge.

Informations sur les logiciels

Installer Windows® 10

1. Allumez l'ordinateur.
2. Insérez le disque de Windows® 10 dans le lecteur optique.
3. Appuyez sur le bouton **Restart** du boîtier de l'ordinateur.
4. Appuyez sur la touche **F11** pendant le POST (Power-On Self Test) du système pour entrer dans le menu Boot Menu.
5. Choisissez le lecteur optique du Boot Menu.
6. Appuyez sur n'importe quelle touche lorsqu'apparaît le message **[Press any key to boot from CD or DVD]**.
7. Suivez les instructions à l'écran pour installer Windows® 10.

Installer les pilotes

1. Allumez l'ordinateur sous Windows® 10.
2. Insérez le disque MSI® Driver Disc dans le lecteur optique.
3. L'outil d'installation apparaît automatiquement. Il trouvera et listera tous les pilotes dont vous avez besoin.
4. Cliquez sur le bouton **Install**.
5. L'installation des pilotes commence. Une fois terminée, il vous sera demandé de redémarrer.
6. Cliquez sur le bouton **OK** pour terminer.
7. Redémarrez votre ordinateur.

Installer les utilitaires

Avant d'installer les utilitaires, il faut compléter l'installation des pilotes.

1. Insérez le disque MSI® Driver Disc dans le lecteur optique.
2. L'outil d'installation apparaît automatiquement.
3. Cliquez sur l'onglet **Utilities**.
4. Choisissez les utilitaires que vous voulez installer.
5. Cliquez sur le bouton **Install**.
6. L'installation des utilitaires commence. Une fois terminée, il vous sera demandé de redémarrer.
7. Cliquez sur le bouton **OK** pour terminer.
8. Redémarrez votre ordinateur.

Содержание

Безопасное использование продукции	3
Технические характеристики	4
Задняя панель портов ввода/ вывода	10
Таблица состояний индикатора порта LAN	10
Конфигурация портов Аудио.....	10
Менеджер Realtek HD Audio.....	11
Установка антенн (опционально)	13
Компоненты материнской платы	14
Процессорный сокет	15
Слоты DIMM	16
PCI_E1~6: Слоты расширения PCIe	19
Таблица пропускной способности PCIe	19
U2_1: Разъем U.2	21
M2_1~2: Разъемы M.2 (Ключ M).....	22
SATA1~8: Разъемы SATA 6 Гб/с	23
CPU_PWR1, ATX_PWR1: Разъемы питания	25
VRAID1: Разъем виртуального RAID на процессоре	25
JFP1, JFP2: Разъемы передней панели	26
JUSB3, JUSB4: Разъемы USB 3.1 Gen1	26
JUSB5: Разъем USB 3.1 Gen2 Type-C.....	27
JUSB1~2: Разъемы USB 2.0.....	28
JTPM1: Разъем модуля TPM	28
CPU_FAN1, PUMP_FAN1, SYS_FAN1~4: Разъемы вентиляторов.....	29
JTBT1: Разъем для установки карты расширения Thunderbolt	29
JAUD1: Разъем аудио передней панели.....	30
JCI1: Разъем датчика открытия корпуса	30
BIOS_SW1: Переключатель Multi-BIOS	31
JBAT1: Джампер очистки данных CMOS (Сброс BIOS)	32
POWER1, RESET1: Кнопка питания, Кнопка перезагрузки	32
JLED1: Разъем RGB LED.....	33
Встроенные индикаторы	34
Индикаторы отладки EZ.....	34
Индикаторы DIMM	34
Индикатор XMP	34
Индикаторы вентилятора	35
Индикаторы слотов PCIe x16	35
Индикатор отладочных кодов	36

Таблица отладочных кодов	36
Коды состояний ACPI	39
Температура процессора	39
Обновление прошивки светодиодной подсветки	40
Настройка BIOS	41
Вход в настройки BIOS	41
Сброс BIOS	42
Обновление BIOS	42
Режим EZ	44
Режим разгона	46
Меню OC	47
Описание программного обеспечения	54
Установка Windows® 10	54
Установка драйверов	54
Установка утилит	54

Безопасное использование продукции

- Компоненты, входящие в комплект поставки могут быть повреждены статическим электричеством. Для успешной сборки компьютера, пожалуйста, следуйте указаниям ниже.
- Убедитесь, что все компоненты компьютера подключены должным образом. Ослабленные соединения компонентов могут привести как к сбоям в работе, так и полной неработоспособности компьютера.
- Чтобы избежать повреждений компонентов платы всегда держите ее за края.
- При сборке компьютера рекомендуется пользоваться электростатическим браслетом. В случае, если это невозможно, перед работой с платой снимите электростатический заряд со своего тела, прикоснувшись к металлическому предмету.
- В случае, если материнская плата не установлена в корпус, храните ее в антистатической упаковке или на антистатическом коврике.
- Перед включением компьютера убедитесь, что все винты крепления и другие металлические компоненты на материнской плате и внутри корпуса надежно зафиксированы.
- Не включайте компьютер, если сборка не завершена. Это может привести к повреждению компонентов, а также травмированию пользователя.
- Если вам нужна помощь на любом этапе сборки компьютера, пожалуйста, обратитесь к сертифицированному компьютерному специалисту.
- Всегда выключайте питание и отсоединяйте шнур питания от электрической розетки перед установкой или удалением любого компонента компьютера.
- Сохраните это руководство для справки.
- Не допускайте воздействия на материнскую плату высокой влажности.
- Перед тем как подключить блок питания компьютера к электрической розетке убедитесь, что напряжение электросети соответствует напряжению, указанному на блоке питания.
- Располагайте шнур питания так, чтобы на него не могли наступить люди. Не ставьте на шнур питания никаких предметов.
- Необходимо учитывать все предостережения и предупреждения, указанные на материнской плате.
- При возникновении любой из перечисленных ниже ситуаций обратитесь в сервисный центр для проверки материнской платы:
 - Попадание жидкости внутрь компьютера.
 - Материнская плата подверглась воздействию влаги.
 - Материнская плата не работает должным образом или невозможно наладить ее работу в соответствии с руководством пользователя.
 - Материнская плата получила повреждения при падении.
 - Материнская плата имеет явные признаки повреждения.
- Не храните материнскую плату в местах с температурой выше 60 °C [140 °F], так как это может привести к ее повреждению.the motherboard.

Технические характеристики

Процессор	<ul style="list-style-type: none"> • Поддержка семейства процессоров Intel® Core™ серии X для сокета LGA2066
Чипсет	Intel® X299
Память	<ul style="list-style-type: none"> • 8x слотов памяти DDR4 с поддержкой до 128ГБ * • Четырехканальная архитектура памяти с процессором, поддерживающим DDR4 в 4-х режиме ** <ul style="list-style-type: none"> ▪ Процессоры серии X поддерживают DDR4 4133(OC)/ 4000(OC)/ 3866(OC)/ 3800(OC)/ 3733(OC)/ 3600(OC)/ 3466(OC)/ 3400(OC)/ 3333(OC)/ 3200(OC)/ 3000(OC)/ 2933(OC)/ 2800(OC)/ 2667/ 2400/ 2133 МГц * • Двухканальная архитектура памяти с процессором, поддерживающим DDR4 в 2-х канальном режиме ** <ul style="list-style-type: none"> ▪ Процессоры серии X поддерживают DDR4 4500(OC)/ 4400(OC)/ 4333(OC)/ 4266(OC)/ 4200(OC)/ 4133(OC)/ 4000(OC)/ 3866(OC)/ 3800(OC)/ 3733(OC)/ 3600(OC)/ 3466(OC)/ 3400(OC)/ 3333(OC)/ 3200(OC)/ 3000(OC)/ 2933(OC)/ 2800(OC)/ 2667/ 2400/ 2133 МГц* • Поддержка Intel® Extreme Memory Profile (XMP) <p>* Для получения последней информации о памяти, пожалуйста, посетите сайт http://www.msi.com</p> <p>** Дополнительную информацию см. в разделе Слоты DIMM.</p>
Слоты расширения	<ul style="list-style-type: none"> • 4x слоты PCIe 3.0 x16 <ul style="list-style-type: none"> ▪ Поддержка режима работы x16/ x4*/ x16/ x8 с процессором, поддерживающим 44 линий. ▪ Поддержка режима работы x16/ x4*/ x8/ x4 с процессором, поддерживающим 28 линий. ▪ Поддержка режима работы x8/ x4*/ x8/ x0, x8/ x4*/ x4/ x4 с процессором, поддерживающим 16 линий. • 2x слоты PCIe 3.0 x1 <p>* Линии PCI_E3 поддерживается с помощью РСН. Обратитесь к таблице пропускной способности PCIe на странице 19.</p>
Поддержка Multi-GPU	<ul style="list-style-type: none"> • Поддержка технологии 3-Way AMD® CrossFire™ • Поддержка технологии 3-Way NVIDIA® SLI™
LAN	1x Гигабитный сетевой контроллер Intel® I219-V

Продолжение на следующей странице

Продолжение с предыдущей страницы

WiFi и Bluetooth® (опционально)	<ul style="list-style-type: none">• Модуль беспроводной связи на базе Intel® Dual Band Wireless-AC 8265<ul style="list-style-type: none">▪ Модуль беспроводной связи предварительно установлен в слот M2_3 (Ключ E).▪ Поддержка стандартов Wi-Fi 802.11 a/b/g/n/ac, два диапазона (2.4 ГГц, 5 ГГц) со скоростью передачи до 867 Мбит/с.▪ Поддержка Dual Mode Bluetooth® 2.1, 2.1+EDR, 3.0, 4.0, BLE, 4.2
Аудио	<ul style="list-style-type: none">• Realtek® ALC1220 Codec• 7.1-канальный High Definition Audio• Поддержка S/PDIF-output
USB	<ul style="list-style-type: none">• Контроллер ASMedia® ASM3142<ul style="list-style-type: none">▪ 1x порт USB 3.1 Gen2 (SuperSpeed USB 10Gbps) Type-A на задней панели▪ 2x порта USB 3.1 Gen2 (Super Speed USB 10Gbps) Type-C (1 порт на задней панели, 1 порт доступен через внутренние разъемы USB)• USB-концентратор ASMedia® ASM1074<ul style="list-style-type: none">▪ 3x порта USB 3.1 Gen1 (SuperSpeed USB) Type-A на задней панели• Контроллер Intel® X299<ul style="list-style-type: none">▪ 5x портов USB 3.1 Gen1 (SuperSpeed USB) (1 порт на задней панели, 4 порта доступны через внутренние разъемы USB)▪ 7x портов USB 2.0 (High-speed USB) (3 порта на задней панели, 4 порта доступны через внутренние разъемы USB)

Продолжение на следующей странице

Продолжение с предыдущей страницы

Подключение накопителей	<p>Чипсет Intel® X299</p> <ul style="list-style-type: none">• 8x портов SATA 6ГБ/с *• 2x разъема M.2 (Ключ М) *<ul style="list-style-type: none">▪ Поддержка PCIe 3.0 x4 и SATA 6ГБ/с▪ Разъем M2_1 поддерживает накопители 2242/2260 /2280▪ Разъем M2_2 поддерживает накопители 2242/2260 /2280/ 22110▪ Поддержка технологии Intel® Optane™ **• 1x порт U.2 *<ul style="list-style-type: none">▪ Поддержка накопителей NVMe PCIe 3.0 x4• Поддержка технологии Intel® Smart Response <p>* Слоты PCI_E3, M.2, порты U.2 и SATA используют одну полосу пропускания. Пожалуйста, обратитесь к странице 23 для получения информации о использовании комбинаций портов PCI_E3/ U.2/ M.2/ SATA.</p> <p>** Обратитесь к Руководству по установке памяти Intel® Optane™ на сайте www.msi.com</p>
RAID	<p>Чипсет Intel® X299</p> <ul style="list-style-type: none">• Поддержка RAID 0, RAID 1, RAID 5 и RAID 10 для накопителей SATA• Поддержка RAID 0 и RAID 1 для накопителей M.2* <p>* RAID массив на накопителях M.2 PCIe может быть создан с помощью M.2/Optane Genie.</p>
Разъемы на плате	<ul style="list-style-type: none">• 1x 24-контактный разъем питания ATX• 1x 8-контактный разъем питания ATX 12B• 8x разъемов SATA 6ГБ/с• 3x разъема M.2 (Ключ М x2, Ключ Е x1)• 1x порт U.2• 2x разъема USB 2.0 (Поддержка 4-х дополнительных портов USB 2.0)• 2x разъема USB 3.1 Gen1 (Поддержка 4-х дополнительных портов USB 3.1 Gen1)• 1x порт USB 3.1 Gen2 Type-C• 1x 4-контактный разъем вентилятора процессора• 1x 4-контактный разъем Water Pump

Продолжение на следующей странице

Продолжение с предыдущей страницы

Разъемы на плате	<ul style="list-style-type: none">• 4x 4-контактных разъема вентилятора системы• 1x аудиоразъем передней панели• 2x разъема передней панели• 1x разъем модуля TPM• 1x разъем датчика открытия корпуса• 1x джампер очистки данных CMOS• 1x кнопка питания• 1x кнопка сброса• 1x переключатель Multi-BIOS• 1x разъем RGB LED• 1x разъем виртуального RAID на процессоре• 1x разъем для установки карты расширения Thunderbolt
Разъемы задней панели	<ul style="list-style-type: none">• 1x джампер очистки данных CMOS• 1x кнопка BIOS FLASHBACK+• 1x комбинированный порт PS/2 клавиатуры/ мыши• 3x порта USB 2.0 Type-A• 4x порта USB 3.1 Gen1 Type-A• 1x порт LAN (RJ45)• 1x порт USB 3.1 Gen2 Type-A• 1x порт USB 3.1 Gen2 Type-C• 1x оптический разъем S/PDIF-OUT• 5x аудиоразъемов OFC
Контроллер ввода-вывода	NUVOTON NCT6795
Аппаратный мониторинг	<ul style="list-style-type: none">• Определение температуры процессора/системы• Определение скорости вентиляторов процессора/системы• Управление скоростью вентиляторов процессора/системы
Форм-фактор	<ul style="list-style-type: none">• ATX Форм-фактор• 12 x 9.6 дюйма (30.5 x 24.4 см)

Продолжение на следующей странице

Продолжение с предыдущей страницы

Параметры BIOS	<ul style="list-style-type: none">• 2x 128 Мб флэш• UEFI AMI BIOS• ACPI 6.0, PnP 1.0a, SM BIOS 3.0• Мультиязычный интерфейс
Программное обеспечение	<ul style="list-style-type: none">• Драйверы• APP MANAGER• SUPER CHARGER• COMMAND CENTER• LIVE UPDATE 6• MSI SMART TOOL• DRAGON EYE• GAMING APP• X-BOOST• MYSTIC LIGHT• RAMDISK• GAMING LAN Manager• DPC Latency Tuner• FAST BOOT• Nahimic Audio• XSplit Gamecaster V2• Tridef VR & Smart Cam• SteelSeries Engine 3• WtFast*• CPU-Z MSI GAMING• Intel® Extreme Tuning Utility• Google Chrome™, Google Toolbar, Google Drive• Norton™ Internet Security Solution <p>* Данное предложение годно только в течение ограниченного периода, для получения дополнительной информации, посетите www.msi.com</p>
Эксклюзивные функции MSI	<ul style="list-style-type: none">• Audio Boost 4• Nahimic 2• GAMING LAN с контроллером Gaming LAN Manager

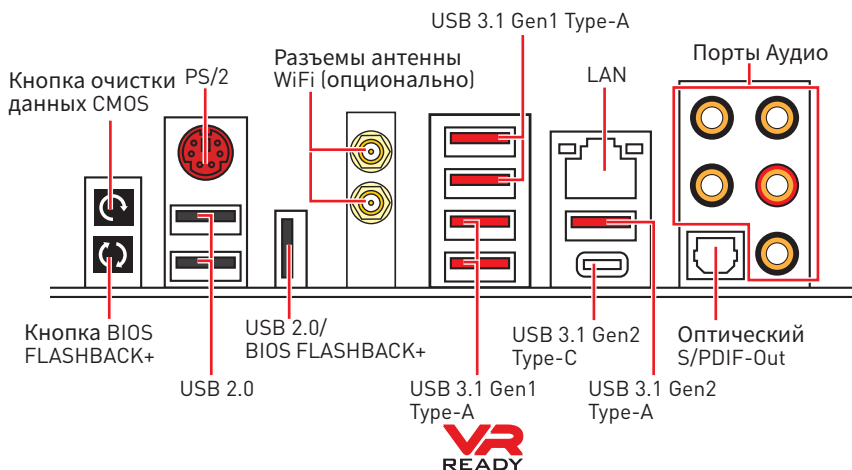
Продолжение на следующей странице

Продолжение с предыдущей страницы

**Эксклюзивные
функции MSI**

- Turbo U.2
- Twin Turbo M.2 Pump Fan
- Интеллектуальное управление скоростью вращения вентиляторов Mystic Light
- Mystic Light Extension
- Gaming DNA с индикатором на нижней части
- Mystic light SYNC
- Индикатор отладки EZ
- M.2 Shield FROZR
- PCI-E Steel Armor
- U.2 Steel Armor
- VR Cover
- Multi GPU - SLI Technology
- Multi GPU - CrossFire Technology
- DDR4 Boost
- OC Engine (Clock gen)
- USB с интерфейсом Type A+C
- Lightning USB с контроллером ASM3142
- Передний Lightning USB 3.1 Gen type C
- Military Class 6
- 7000+ Quality Test
- VR Boost
- VR Ready
- Intel WiFi (опционально)
- GAMING HOTKEY
- GAMING MOUSE Control
- Click BIOS 5
- BIOS FLASHBACK+
- Dual BIOS
- Quadro SLI Ready
- Quadro Ready
- GAMING Certified
- SteelSeries Certified

Задняя панель портов ввода/ вывода



- **Кнопка очистки данных CMOS** - Выключите компьютер. Нажмите и удерживайте кнопку очистки данных CMOS на 5-10 секунд для сброса настройки BIOS по умолчанию.
- **Порт/ Кнопка BIOS FLASHBACK+** - Обратитесь к странице 43 для получения информации о обновлении BIOS при помощи BIOS FLASHBACK+.

Таблица состояний индикатора порта LAN

Подключение/ Работа индикатора		Скорость передачи данных								
Состояние	Описание									
Выкл.	Не подключен	<table border="1"> <thead> <tr> <th>Состояние</th> <th>Описание</th> </tr> </thead> <tbody> <tr> <td>Выкл.</td> <td>10 Мбит/с подключение</td> </tr> <tr> <td>Зеленый</td> <td>100 Мбит/с подключение</td> </tr> <tr> <td>Оранжевый</td> <td>1 Гбит/с подключение</td> </tr> </tbody> </table>	Состояние	Описание	Выкл.	10 Мбит/с подключение	Зеленый	100 Мбит/с подключение	Оранжевый	1 Гбит/с подключение
Состояние	Описание									
Выкл.	10 Мбит/с подключение									
Зеленый	100 Мбит/с подключение									
Оранжевый	1 Гбит/с подключение									
Желтый	Подключен									
Мигает	Передача данных									

Конфигурация портов Аудио

Порты Аудио	Канал			
	2	4	6	8
Выход центральной колонки/ сабвуфера			●	●
Тыловые колонки		●	●	●
Линейный вход/ Выход боковых колонок				●
Линейный выход/ Выход фронтальных колонок	●	●	●	●
Микрофонный вход				

(●: подключен, Пусто: не подключен)

Менеджер Realtek HD Audio

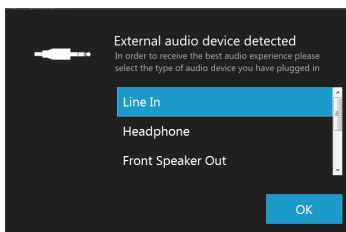
После установки драйвера **Realtek HD Audio**, в системном трее появится значок **Realtek HD Audio Manager**. Дважды щелкните по значку для запуска приложения.



- **Выбор устройства** - позволяет выбрать источник аудио выхода и изменить соответствующие параметры. Отмеченное устройство будет использоваться по умолчанию.
- **Дополнительные эффекты** - это список опций по настройке звуковых эффектов для входного и выходного сигнала аудио устройства.
- **Мастер-громкость** - регулирует громкость или баланс правой и левой колонок, подключенных к передней или задней панели.
- **Профили** - позволяют переключаться между различными профилями.
- **Расширенные настройки** - обеспечивают работу с двумя независимыми потоками аудио.
- **Состояние разъемов** - отображает все устройства воспроизведения и записи, подключенные к компьютеру.
- **Настройки подключений** - настраивают параметры подключения.

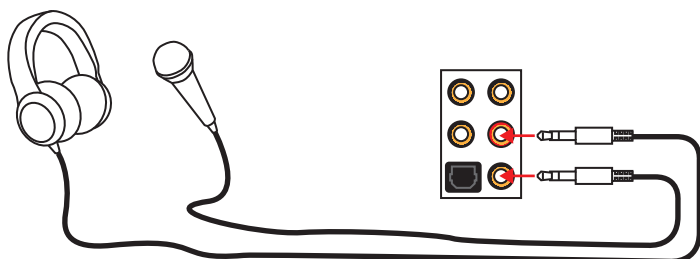
Автоматическое всплывающее диалоговое окно

При подключении устройства к разьему аудио появится диалоговое окно с просьбой подтвердить подключенное устройство.

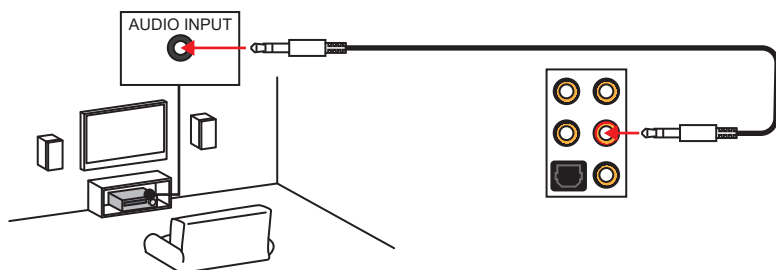


Каждый разъем соответствует его настройкам по умолчанию, как показано на следующей странице.

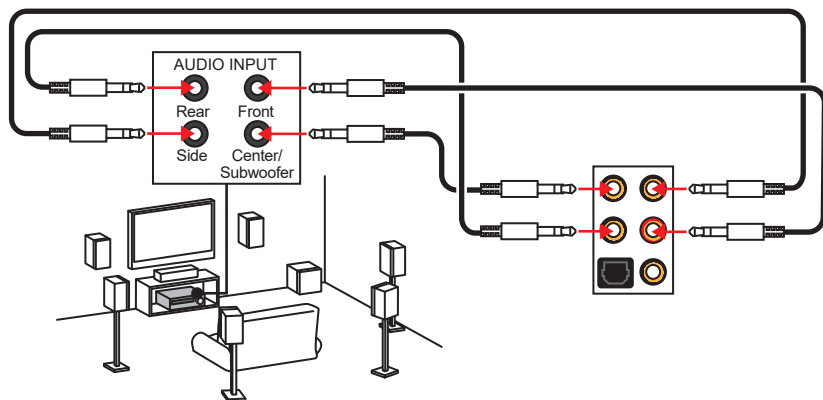
Подключение наушников и микрофона



Подключение внешнего стерео усилителя (колонок)

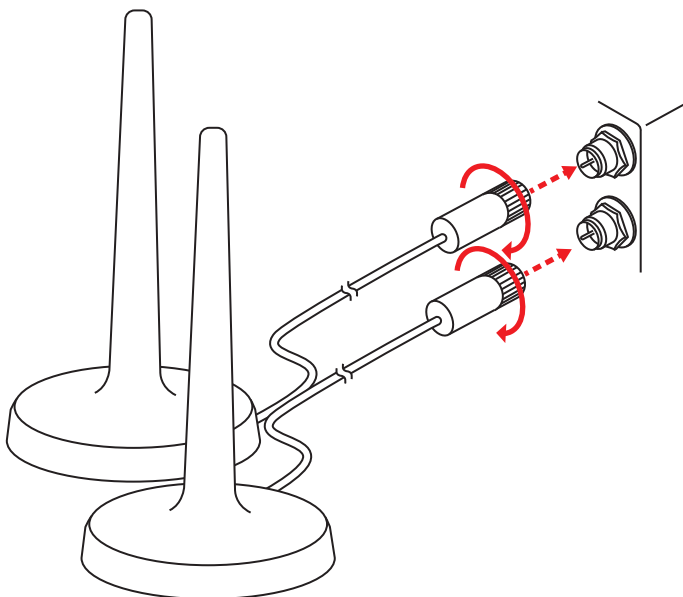


Подключение звуковой системы 7.1

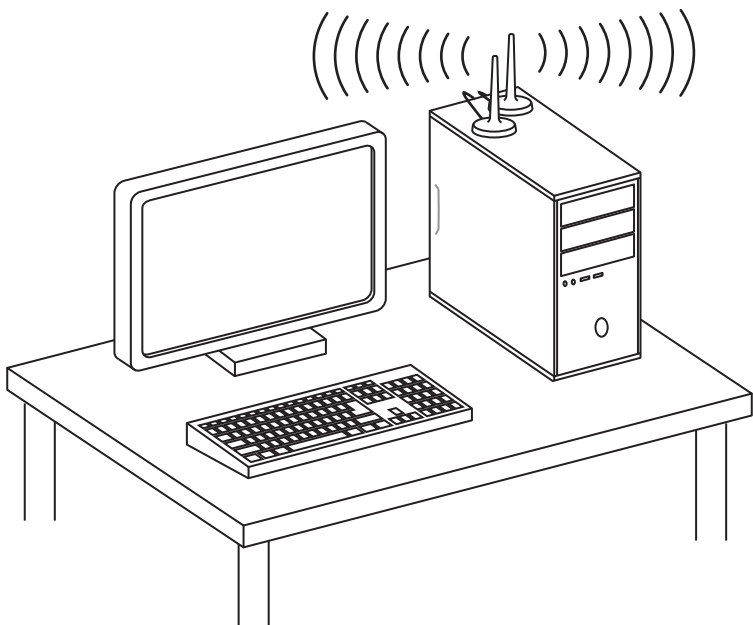


Установка антенн (опционально)

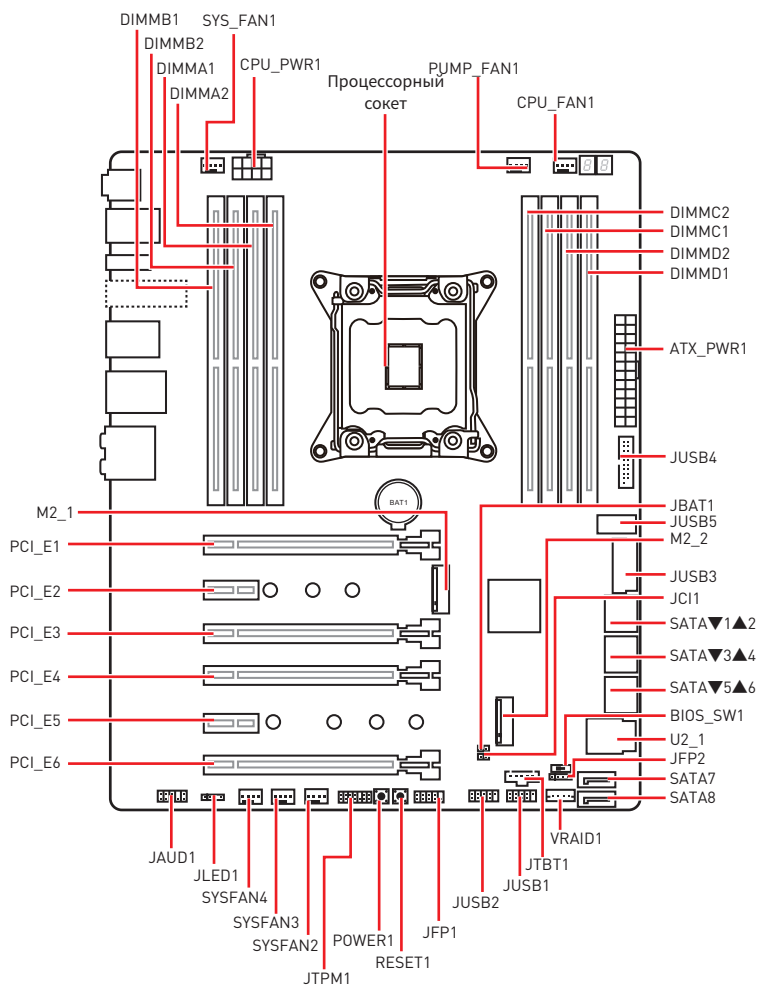
1. Прикрутите антенны к разъемам антенны WiFi, как показано на рисунке ниже.



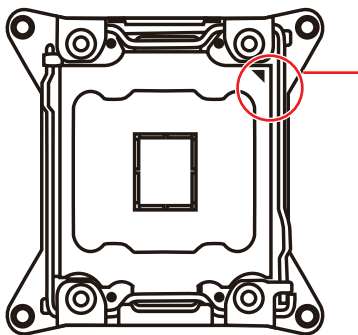
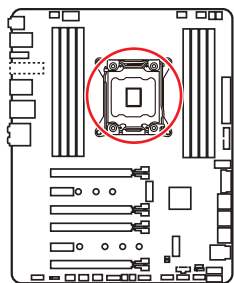
2. Поместите антенны как можно выше.



Компоненты материнской платы

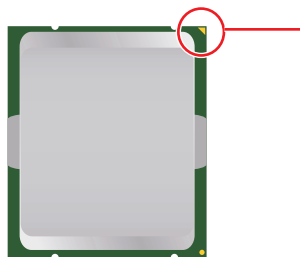


Процессорный socket



Процессор LGA 2066

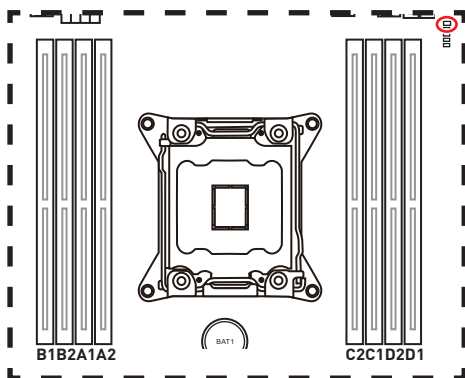
На поверхности процессора LGA2066 имеются четыре знака совмещения и золотой треугольник для правильной установки процессора относительно процессорного сокета материнской платы. Золотой треугольник указывает на контакт 1.



Внимание!

- Перед установкой или заменой процессора, необходимо отключить кабель питания.
- Пожалуйста, сохраните защитную крышку процессорного сокета после установки процессора. Любые возможные гарантийные случаи, связанные с работой материнской платы, MSI® будет рассматривать только, при наличии защитной крышки на процессорном сокете.
- При установке процессора обязательно установите процессорный кулер. Кулер, представляющий собой систему охлаждения процессора, предотвращает перегрев и обеспечивает стабильную работу системы.
- Перед включением системы проверьте герметичность соединения между процессором и радиатором.
- Перегрев может привести к серьезному повреждению процессора и материнской платы. Всегда проверяйте работоспособность вентилятора для защиты процессора от перегрева. При установке кулера нанесите ровный слой термопасты (или термоленту) на крышку установленного процессора для улучшения теплопередачи.
- Если процессор не установлен, всегда защищайте контакты процессорного сокета пластиковой крышкой.
- Если вы приобрели отдельно процессор и процессорный кулер, подробное описание установки см. в документации в данном кулере.
- Данная системная плата разработана с учетом возможности ее «разгона». Перед выполнением разгона системы убедитесь в том, что все компоненты системы смогут его выдержать. Производитель не рекомендует использовать параметры, выходящие за пределы технических характеристик устройств. Гарантия MSI® не распространяется на повреждения и другие возможные последствия ненадлежащей эксплуатации оборудования.

Слоты DIMM



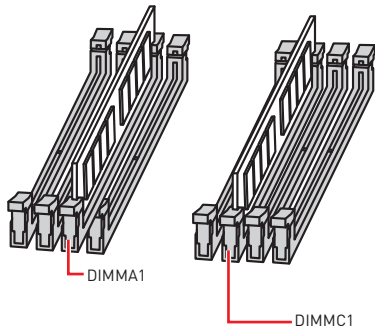
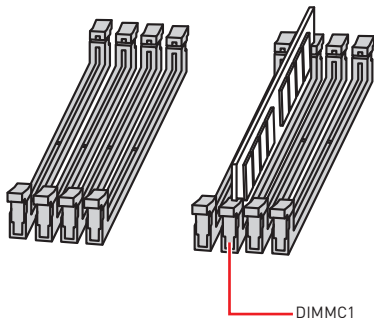
Индикатор S/K : Индикатор S/K показывает поддерживаемую установленным процессором архитектуру памяти: 4-канальную или 2-х канальную.

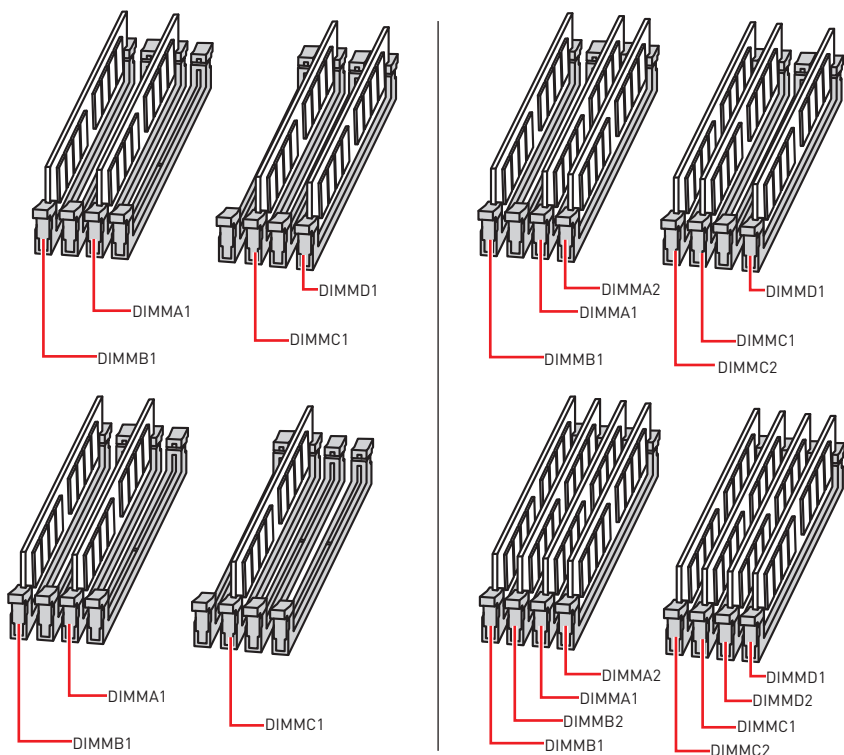
□ Красный = Поддержка 8 слотов DIMM (процессор с поддержкой 4-х канального режима)

□ Белый = Поддержка 4 слота DIMM (процессор с поддержкой 2-х канального режима)

Рекомендации по установке модулей памяти (для процессора с поддержкой 4-х канальной архитектуры памяти)

	B1	B2	A1	A2	Процессор Intel® Core™ серии X	C2	C1	D2	D1
1 DIMM					Поддержка 4-х канальной архитектуры памяти		✓		
2 DIMMs			✓				✓		
3 DIMMs	✓		✓				✓		
4 DIMMs	✓		✓				✓		✓
5 DIMMs	✓		✓			✓	✓		✓
6 DIMMs	✓		✓	✓		✓	✓		✓
7 DIMMs	✓	✓	✓	✓		✓	✓		✓
8 DIMMs	✓	✓	✓	✓		✓	✓	✓	✓





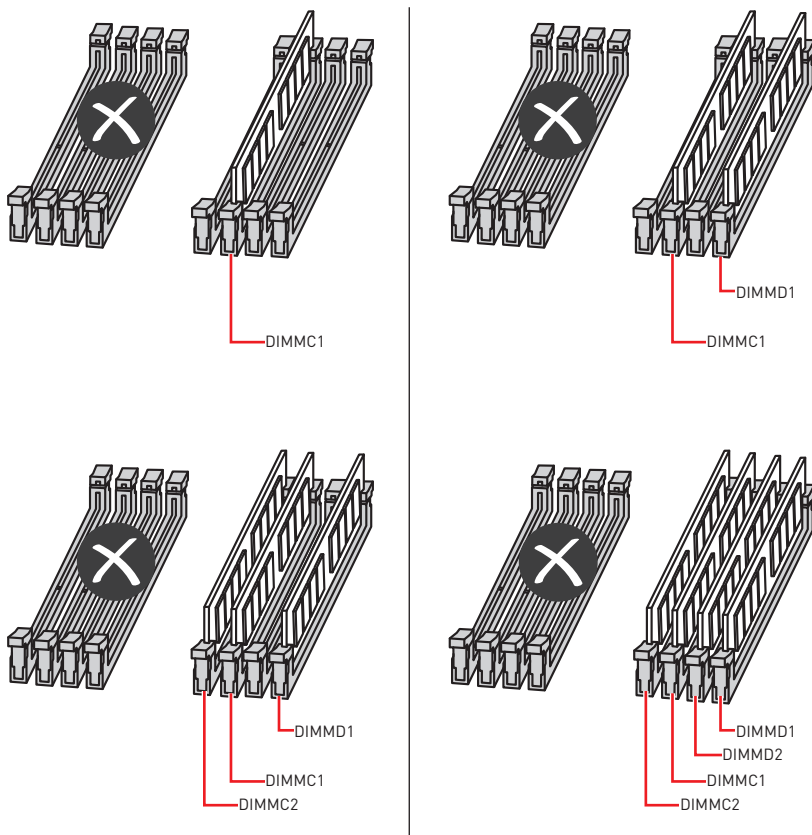
! Внимание!

- Всегда устанавливайте модуль памяти сначала в слот **DIMMC1**.
- Для более стабильной работы системы в двухканальном/ трехканальном/ четырехканальном режимах, модули памяти должны быть одинакового типа, количества и емкости. Для каждого канала, установка модулей должна начинаться с нечетного DIMM слота.
- В связи со спецификой использования ресурсов чипсета, доступный объем памяти будет немного меньше, чем фактически установленный.
- На основе характеристик процессора, рекомендуется устанавливать напряжение на памяти DIMM менее 1.35 В. Это позволит защитить процессор.
- Пожалуйста, обратите внимание на то, что максимальная емкость адресуемой памяти для 32-бит ОС Windows, составляет не более 4 Гб. Если вы хотите использовать более 4Гб оперативной памяти на материнской плате, рекомендуется устанавливать 64-бит ОС Windows.
- Некоторые модули памяти при разгоне могут работать на частотах ниже заявленной производителем, поскольку выставляемая для памяти частота зависит от информации, записанной в SPD [Serial Presence Detect].
- При установке памяти во все слоты, а также при ее разгоне, рекомендуется использовать более эффективную систему охлаждения памяти.
- Совместимость и стабильность работы установленного модуля памяти при разгоне зависит от установленного процессора и других устройств.

Рекомендации по установке модулей памяти (для процессора с поддержкой 2-х канальной архитектуры памяти)

	B1	B2	A1	A2	Процессор Intel® Core™ серии X	C2	C1	D2	D1
1 DIMM					Поддержка 2-х канальной архитектуры памяти		✓		
2 DIMMs							✓		✓
3 DIMMs						✓	✓		✓
4 DIMMs						✓	✓	✓	✓

DIMMB1, B2, A1 и A2 недоступны.



PCI_E1~6: Слоты расширения PCIe

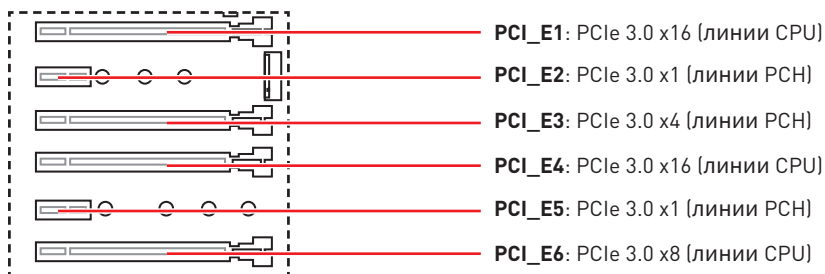


Таблица пропускной способности PCIe

Для процессоров поддерживающих 44 линии

Видеокарт	Одинарный	2-Way*	2-Way	3-Way
PCI_E1	Ⓜ 3.0 x16	Ⓜ 3.0 x16	Ⓜ 3.0 x16	Ⓜ 3.0 x16
PCI_E2	3.0 x1	3.0 x1	3.0 x1	3.0 x1
PCI_E3	3.0 x4	3.0 x4	3.0 x4	3.0 x4
PCI_E4	3.0 x16	Ⓜ 3.0 x16	3.0 x16	Ⓜ 3.0 x16
PCI_E5	3.0 x1	3.0 x1	3.0 x1	3.0 x1
PCI_E6	3.0 x8	3.0 x8	Ⓜ 3.0 x8	Ⓜ 3.0 x8

(Ⓜ: слот видеокарты, *: наилучшая комбинация)

Для процессоров поддерживающих 28 линий

Видеокарт	Одинарный	2-Way	3-Way CF
PCI_E1	Ⓜ 3.0 x16	Ⓜ 3.0 x16	Ⓜ 3.0 x16
PCI_E2	3.0 x1	3.0 x1	3.0 x1
PCI_E3	3.0 x4	3.0 x4	3.0 x4
PCI_E4	3.0 x8	Ⓜ 3.0 x8	Ⓜ 3.0 x8
PCI_E5	3.0 x1	3.0 x1	3.0 x1
PCI_E6	3.0 x4	3.0 x4	Ⓜ 3.0 x4

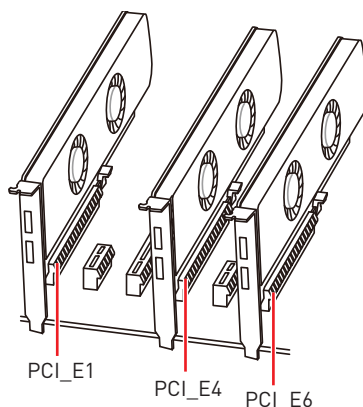
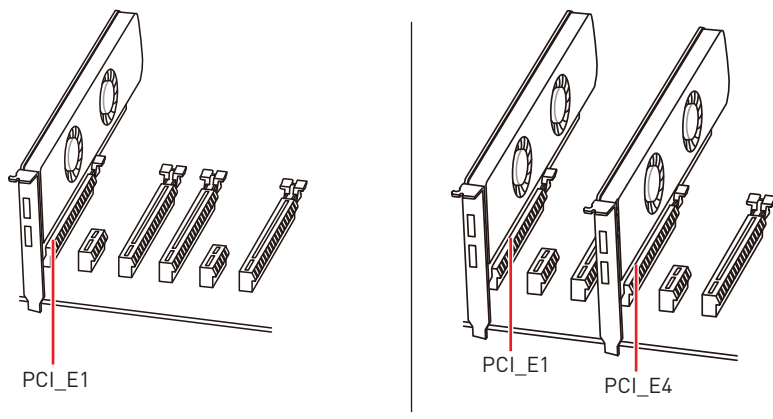
(Ⓜ: слот видеокарты, CF: только для технологии CrossFire)

Для процессоров поддерживающих 16 линий

Видеокарт	Одинарный		2-Way	3-Way CF
PCI_E1	Ⓜ 3.0 x8		Ⓜ 3.0 x8	Ⓜ 3.0 x8
PCI_E2	3.0 x1		3.0 x1	3.0 x1
PCI_E3	3.0 x4		3.0 x4	3.0 x4
PCI_E4	3.0 x8	3.0 x4	Ⓜ 3.0 x8	Ⓜ 3.0 x4
PCI_E5	3.0 x1		3.0 x1	3.0 x1
PCI_E6	Пусто	3.0 x4	—	Ⓜ 3.0 x4

(Ⓜ: слот видеокарты, —: недоступно, CF: только для технологии CrossFire)

Рекомендации по установке нескольких видеокарт

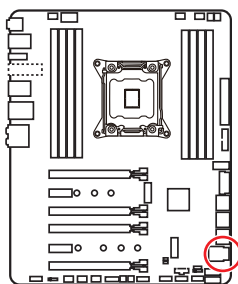


Внимание!

- Для установки одной карты расширения PCIe x16 с оптимальной производительностью рекомендуется использовать слот **PCI_E1**.
- При установке массивной видеокарты, необходимо использовать такой инструмент, как **MSI Gaming Series Graphics Card Bolster** для поддержки веса графической карты и во избежание деформации слота.
- Перед установкой или извлечением плат расширения убедитесь, что кабель питания отключен от электрической сети. Прочтите документацию на карту расширения и выполните необходимые дополнительные аппаратные или программные изменения для данной карты.

U2_1: Разъем U.2

Данный разъем представляет собой U.2 интерфейсный порт. К каждому разъему можно подключить устройства хранения данных NVMe PCIe 3.0 x4.

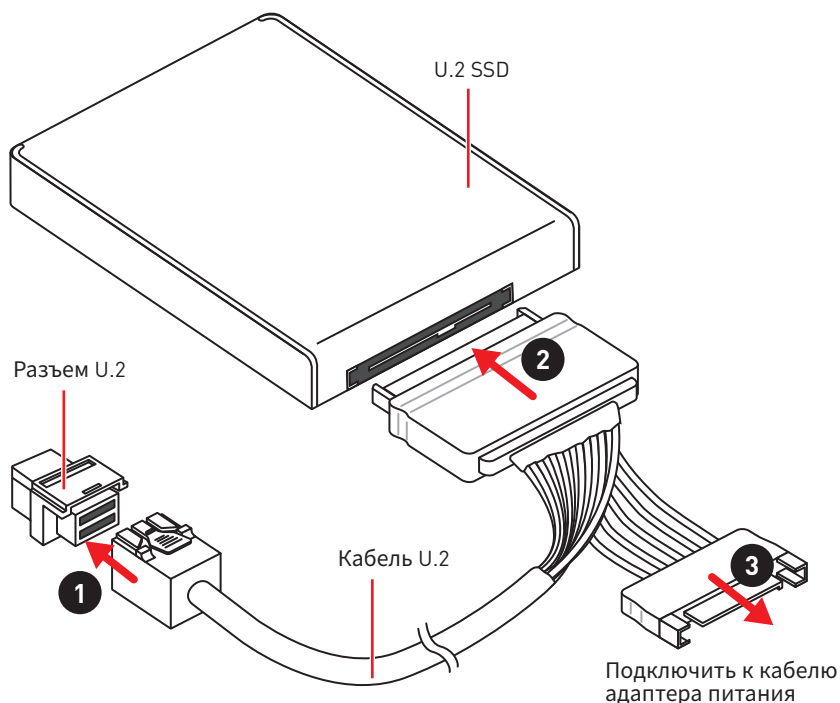


Видео Инструкция

Смотрите видео, чтобы узнать как установить U.2 SSD. <http://youtu.be/KgFvKDхymvw>

Установка U.2 SSD

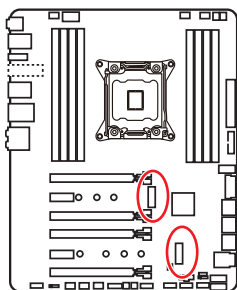
1. Подключите кабель U.2 к разъему U.2 на системной плате.
2. Подключите кабель U.2 к U.2 SSD.
3. Подключите кабель U.2 к кабелю адаптера питания.



Внимание!

Порт U.2 будет недоступен при установке устройства PCIe в слоте PCI_E3.

M2_1~2: Разъемы M.2 (Ключ M)



Внимание!

- Intel® RST только поддерживает PCIe M.2 SSD с UEFI ROM.
- Память Intel® Optane™ Memory совместима с любыми слотами M.2.

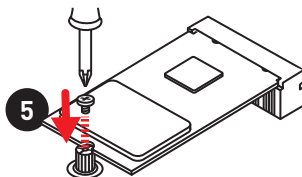
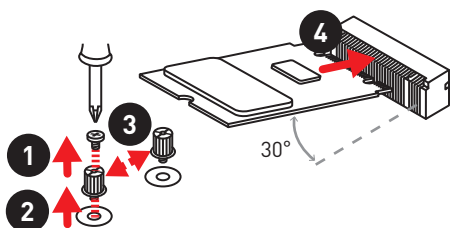


Видео Инструкция

Смотрите видео, чтобы узнать как установить модуль M.2.
<http://youtu.be/JCTFAByrYA>

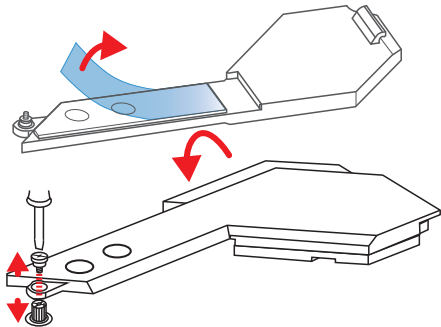
Установка модуля M.2

1. Выкрутите винт из стойки.
2. Выкрутите стойку.
3. Закрутите стойку в отверстие, на расстоянии, соответствующем длине вашего модуля M.2.
4. Вставьте модуль M.2 в разъем M.2 под углом 30 градусов.
5. Совместите винт с выемкой на задней кромке модуля M.2 и закрутите его в стойку.



Использование M.2 FROZR

M.2 FROZR на разъеме M.2 используется в качестве радиатора охлаждения для рассеяния тепла от модуля M.2. Перед установкой модуля M.2 в первый раз, необходимо удалить винт, поднять крышу и снять защитную пленку и круглую резину с термоинтерфейса.

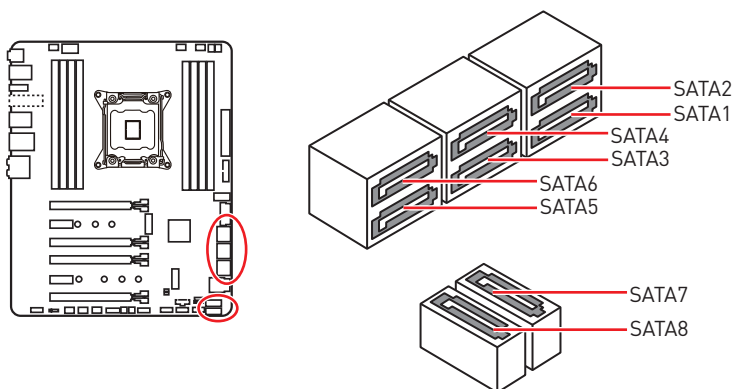


Внимание!

Снимите M.2 FROZR, если вы не планируете его использовать.

SATA1~8: Разъемы SATA 6 Гб/с

Эти разъемы представляют собой интерфейсные порты SATA 6 Гб/с. К каждому порту можно подключить одно устройство SATA.



Внимание!

- Избегайте перегибов кабеля SATA под прямым углом. В противном случае, возможна потеря данных при передаче.
- Кабели SATA оснащены одинаковыми коннекторами с обеих сторон. Однако, для экономии занимаемого пространства к материнской плате рекомендуется подключать плоский разъем.

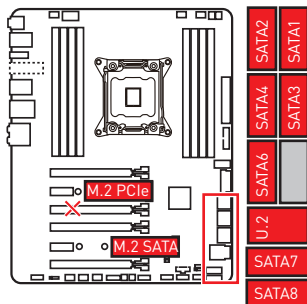
Рекомендации и по установке устройств PCI_E3/ U.2/ M.2/ SATA

Слот	Комбинация							
	✓	Пусто	✓	Пусто	✓	Пусто	✓	Пусто
PCI_E3	✓	Пусто	✓	Пусто	✓	Пусто	✓	Пусто
U2_1	—	✓	—	✓	—	✓	—	✓
M2_1	PCIe		SATA		SATA		PCIe	
M2_2	PCIe		SATA		PCIe		SATA	
SATA1	✓	—	—	—	—	—	—	✓
SATA2	✓	—	✓	—	✓	—	✓	—
SATA3	✓	—	✓	—	✓	—	✓	—
SATA4	✓	—	✓	—	✓	—	✓	—
SATA5	—	—	—	—	—	—	—	—
SATA6	—	—	✓	—	—	—	—	✓
SATA7	—	—	✓	—	—	—	—	✓
SATA8	—	—	✓	—	—	—	—	✓

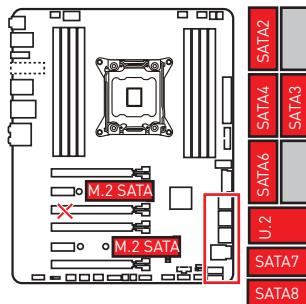
(SATA: M.2 SATA SSD, PCIe: M.2 PCIe SSD, ✓: доступно, —: недоступно)

Разъемы M.2 и различные возможные примеры использования

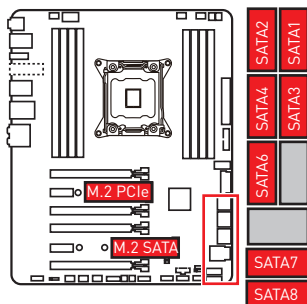
1xU.2+ 1xM.2 PCIe+ 1xM.2 SATA+ 7xSATA



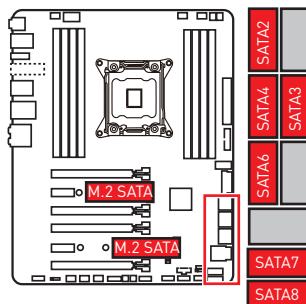
1xU.2+ 2xM.2 SATA+ 6xSATA



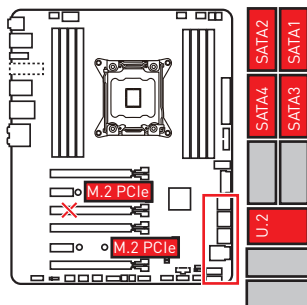
1xM.2 PCIe+ 1xM.2 SATA+ 7xSATA



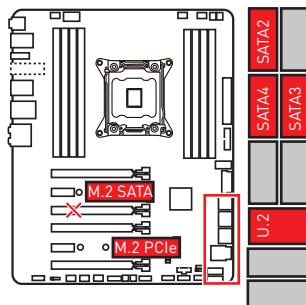
2xM.2 SATA+ 6xSATA



1xU.2+ 2xM.2 PCIe+ 4xSATA

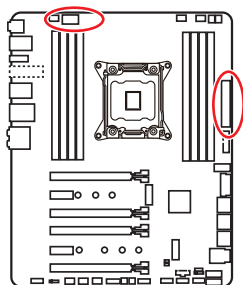


1xU.2+ 1xM.2 SATA+ 1xM.2 PCIe+ 3xSATA



CPU_PWR1, ATX_PWR1: Разъемы питания

Данные разъемы предназначены для подключения блока питания ATX.



1	Ground	5	+12V
2	Ground	6	+12V
3	Ground	7	+12V
4	Ground	8	+12V

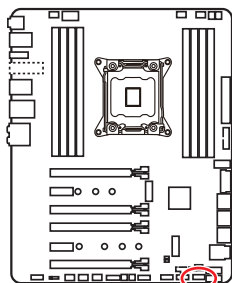
1	+3.3V	13	+3.3V
2	+3.3V	14	-12V
3	Ground	15	Ground
4	+5V	16	PS-ON#
5	Ground	17	Ground
6	+5V	18	Ground
7	Ground	19	Ground
8	PWR OK	20	Res
9	5VSB	21	+5V
10	+12V	22	+5V
11	+12V	23	+5V
12	+3.3V	24	Ground

Внимание!

Для обеспечения стабильной работы системной платы проверьте надежность подключения всех кабелей питания к блоку питания ATX.

VRAID1: Разъем виртуального RAID на процессоре

Этот разъем предназначен для подключения модуля VROC (Virtual RAID on CPU). Вам необходимо включить функцию VROC с помощью драйвера Intel® RSTe (Intel® Rapid Storage Technology).



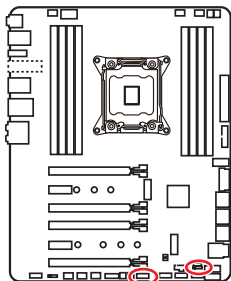
1	Ground	2	VCC3
3	Ground	4	SATA_RAID_KEY

Внимание!

Модуль VROC приобретается отдельно.

JFP1, JFP2: Разъемы передней панели

Эти разъемы служат для подключения кнопок и светодиодных индикаторов, расположенных на передней панели.

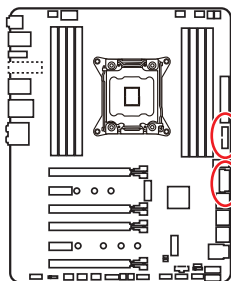


1	HDD LED +	2	Power LED +
3	HDD LED -	4	Power LED -
5	Reset Switch	6	Power Switch
7	Reset Switch	8	Power Switch
9	Reserved	10	No Pin

1	Speaker -	2	Buzzer +
3	Buzzer -	4	Speaker +

JUSB3, JUSB4: Разъемы USB 3.1 Gen1

Данные разъемы предназначены для подключения портов USB 3.1 Gen1 на передней панели.



1	Power	11	USB2.0+
2	USB3_RX_DN	12	USB2.0-
3	USB3_RX_DP	13	Ground
4	Ground	14	USB3_TX_C_DN
5	USB3_TX_C_DN	15	USB3_TX_C_DN
6	USB3_TX_C_DP	16	Ground
7	Ground	17	USB3_RX_DP
8	USB2.0-	18	USB3_RX_DN
9	USB2.0+	19	Power
10	NC	20	No Pin

Внимание!

Помните, что во избежание повреждений, необходимо правильно подключать контакты питания и земли.

Порт для зарядки устройств

Разъем **JUSB4** является портом для зарядки устройств и обеспечивает высокий зарядный ток при подключении USB устройства, например смартфона. Порт для зарядки имеет независимое от материнской платы аппаратное управление, и позволяет производить зарядку в ждущем, спящем режиме и даже при выключенном компьютере. Для нормального функционирования порта в Windows® необходимо установить приложение MSI® SUPER CHARGER, чтобы включить/ выключить режим зарядки.



Видео Инструкция

Смотрите видео, чтобы узнать как зарядить смартфон при помощи Super-Charge. <http://youtu.be/FCyvjr5Nb0w>

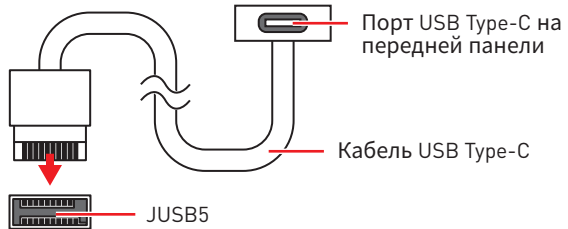
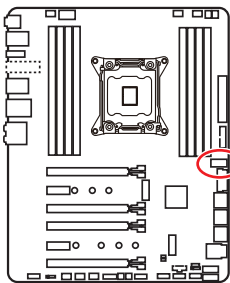


Внимание!

При включении режима зарядки, передача данных через порт прекращается.

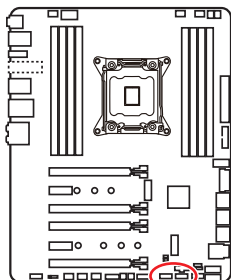
JUSB5: Разъем USB 3.1 Gen2 Type-C

Данный разъем предназначен для подключения разъемов USB 3.1 Gen2 Type-C на передней панели. Данный коннектор имеет защиту от неправильного подключения. При подключении кабеля убедитесь, что коннектор сориентирован правильно относительно разъема.



JUSB1~2: Разъемы USB 2.0

Данные разъемы предназначены для подключения портов USB 2.0 на передней панели.



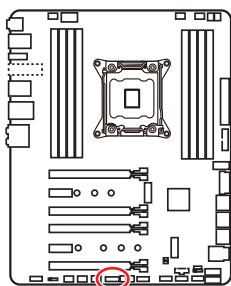
1	VCC	2	VCC
3	USB0-	4	USB1-
5	USB0+	6	USB1+
7	Ground	8	Ground
9	No Pin	10	NC

Внимание!

- Помните, что во избежание повреждений, необходимо правильно подключать контакты VCC и земли.
- Для того, чтобы зарядить ваш iPad, iPhone и iPod через порты USB, пожалуйста, установите утилиту MSI® SUPER CHARGER.

JTPM1: Разъем модуля TPM

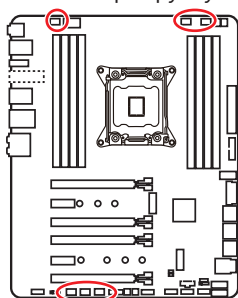
Данный разъем используется для подключения модуля TPM (Trusted Platform Module). Дополнительные сведения см. в описании модуля TPM.



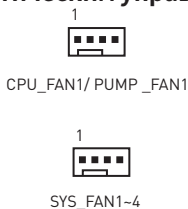
1	LPC Clock	2	3V Standby power
3	LPC Reset	4	3.3V Power
5	LPC address & data pin0	6	Serial IRQ
7	LPC address & data pin1	8	5V Power
9	LPC address & data pin2	10	No Pin
11	LPC address & data pin3	12	Ground
13	LPC Frame	14	Ground

CPU_FAN1, PUMP_FAN1, SYS_FAN1~4: Разъемы вентиляторов

Разъемы вентиляторов можно разделить на два типа: с PWM (PulseWidth Modulation) управлением и управлением постоянным током. Разъемы вентиляторов с PWM управлением имеют контакт с постоянным напряжением 12В, а также контакт с сигналом управления скоростью вращения. Управление скоростью вращения вентиляторов с управлением постоянным током, осуществляется через соответствующие разъемы путем изменения величины напряжения. Поэтому, при подключении 3-х контактного (Non-PWM) вентилятора к разъему для вентилятора PWM, скорость вентилятора всегда будет максимальной. Работа такого вентилятора может оказаться достаточно шумной. CPU_FAN1 и PUMP_FAN1 могут автоматически определить режим работы вентилятора - PWM или DC. Для настройки режима работы вентилятора вручную (PWM или DC), следуйте указаниям ниже.



Разъем вентилятора с автоматическим управлением



Внимание!

В меню **BIOS > HARDWARE MONITOR** вы можете выбрать режим работы вентилятора: PWM или DC и настроить его скорость вращения. И убедитесь, что вентиляторы работают правильно после выбора режима PWM/ DC.

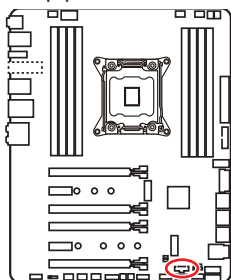

Назначение контактов разъема для подключения вентилятора

Назначение контактов разъема для режима PWM			
1	Ground	2	+12V
3	Sense	4	Speed Control Signal

Назначение контактов разъема для режима DC			
1	Ground	2	Voltage Control
3	Sense	4	NC

JTB1: Разъем для установки карты расширения Thunderbolt

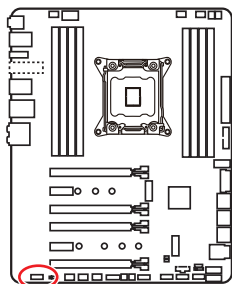
Данный разъем предназначен для подключения карты расширения с интерфейсом Thunderbolt.

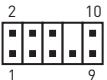



1	FORCE_PWR	2	SCI_EVENT
3	SLP_S3#	4	SLP_S5#
5	Ground		

JAUD1: Разъем аудио передней панели

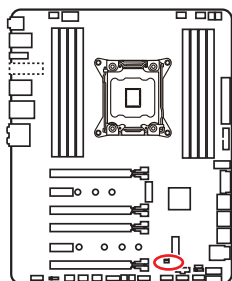
Данный разъем предназначен для подключения аудиоразъемов передней панели.



			
1	MIC L	2	Ground
3	MIC R	4	NC
5	Head Phone R	6	MIC Detection
7	SENSE_SEND	8	No Pin
9	Head Phone L	10	Head Phone Detection

JC11: Разъем датчика открытия корпуса

К этому разъему подключается кабель от датчика открытия корпуса.



Нормально
(По умолчанию)



Разрешить запись
по событию
открытия корпуса

Использование датчика открытия корпуса

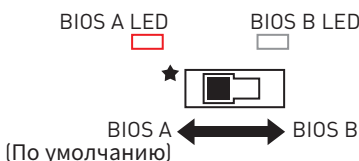
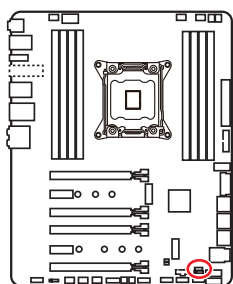
1. Подключите датчик открытия корпуса к разъему **JC11**.
2. Закройте крышку корпуса.
3. Войдите в **BIOS > Settings > Security > Chassis Intrusion Configuration**.
4. Установите **Chassis Intrusion** в **Enabled**.
5. Нажмите клавишу **F10**, чтобы сохранить настройки и выйти, а затем нажмите клавишу **Enter**, чтобы выбрать **Yes**.
6. При открытии корпуса на экране будет появляться предупреждающее сообщение каждый раз при включении компьютера.

Сброс сообщения об открытии корпуса

1. Войдите в **BIOS > Settings > Security > Chassis Intrusion Configuration**.
2. Выберите **Chassis Intrusion, Reset**.
3. Нажмите клавишу **F10**, чтобы сохранить настройки и выйти, а затем нажмите клавишу **Enter**, чтобы выбрать **Yes**.

BIOS_SW1: Переключатель Multi-BIOS

Данная системная плата имеет два встроенных модуля BIOS ROM (с метками А и В. По умолчанию используется BIOS ROM с меткой А). В случае если один из них поврежден, у пользователя есть возможность перейти на запасной модуль с помощью переключателя.



Восстановление BIOS

В случае “неудачного” обновления BIOS, когда система перестала загружаться, вы можете восстановить BIOS, следуя указаниям ниже. Перед восстановлением, скачайте с сайта MSI последнюю версию файла BIOS, который соответствует вашей модели материнской платы. Сохраните файл BIOS в корневую папку USB флэшки.

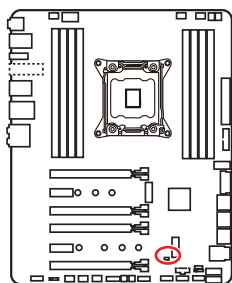
1. Полностью обесточьте систему.
2. Переключитесь на рабочий модуль BIOS ROM с помощью **переключателя Multi-BIOS**.
3. Вставьте флэш-диск USB в компьютер.
4. Включите компьютер и нажмите клавишу Del для входа в настройки BIOS во время процедуры POST.
5. Выберите вкладку **M-FLASH** и нажмите на кнопку **Yes** для перезагрузки системы и входа в режим обновления.
6. Выберите файл BIOS для выполнения процесса восстановления BIOS.
7. Переключитесь на поврежденный модуль BIOS ROM с помощью **переключателя Multi-BIOS**, и нажмите кнопку Yes, чтобы начать восстановление BIOS.
8. После завершения процесса восстановления BIOS, система перезагрузится автоматически.

Внимание!

- Переключатель Multi-BIOS разрешается использовать только после выключения питания компьютера.
- Вы также можете использовать утилиту **LIVE UPDATE** для обновления BIOS. Для получения дополнительной информации, обратитесь к разделу BIOS.

JBAT1: Джемпер очистки данных CMOS (Сброс BIOS)

На плате установлена CMOS память с питанием от батарейки для хранения данных о конфигурации системы. Для сброса конфигурации системы (очистки данных CMOS памяти), воспользуйтесь этим джемпером.



Сохранение данных
(По умолчанию)



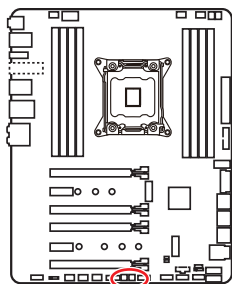
Очистка данных/
Сброс BIOS

Сброс настроек BIOS до значений по умолчанию

1. Выключите компьютер и отключите шнур питания.
2. Используйте джемпер, чтобы замкнуть соответствующие контакты JBAT1 в течение 5-10 секунд.
3. Снимите джемпер с контактов JBAT1.
4. Подключите шнур питания и включите компьютер.

POWER1, RESET1: Кнопка питания, Кнопка перезагрузки

Кнопка питания/ перезагрузки позволяет вам включить/ перезагрузить компьютер.



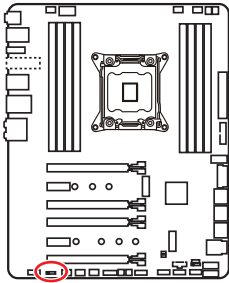
Кнопка питания



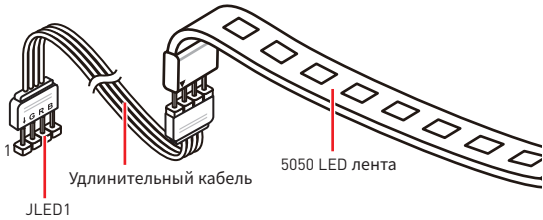
Кнопка перезагрузки

JLED1: Разъем RGB LED

Данный разъем предназначен для подключения светодиодных лент 5050 RGB.



1			
1	+12V	2	G
3	R	4	B



Видео Инструкция

Смотрите видео, чтобы узнать как установить светодиодных лент 5050 RGB к разъему RGB LED.

<https://youtu.be/CqNHyADzd2Q>

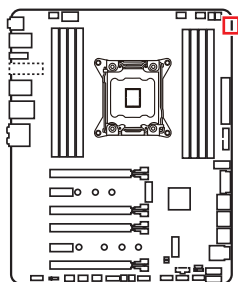
Внимание!

- Данный коннектор поддерживает подключение 5050 RGB многоцветных светодиодных лент с мощностью 3А (12В). Обратите внимание, что длина лент должна быть не более 2 метров, иначе яркость свечения будет падать.
- Перед установкой или заменой светодиодных лент RGB, необходимо полностью обесточить систему и отключить кабель питания.
- Используйте утилиту MSI® для управления удлинительными светодиодными лентами.

Встроенные индикаторы

Индикаторы отладки EZ

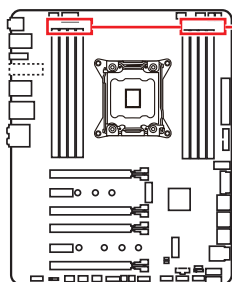
Данные светодиоды показывают состояния основных компонентов в процессе загрузки. При возникновении ошибки, соответствующий светодиод продолжает гореть до устранения проблемы.



- CPU** - процессор не обнаружен или поврежден.
- DRAM** - память DRAM не обнаружена или повреждена.
- VGA** - видеокарта не обнаружена или повреждена.
- BOOT** - устройство загрузки не обнаружено или повреждено.

Индикаторы DIMM

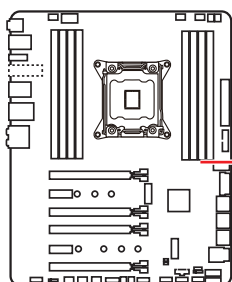
Данные светодиоды показывают установленные модуля памяти.



DIMM LEDs

Индикатор XMP

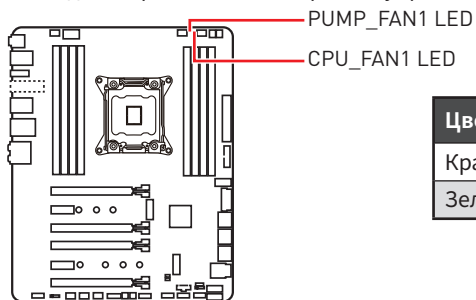
Данный LED показывает включение режима XMP (Extreme Memory Profile).



XMP LED

Индикаторы вентилятора

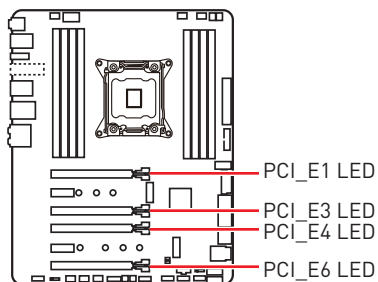
Эти индикаторы показывают режим управления вентилятором.



Цвет LED	Режим управления
Красный	Режим PWM
Зеленый	Режим DC

Индикаторы слотов PCIe x16

Данные светодиоды показывают состояния слотов PCIe x16.



Цвет LED	Состояния скорости слотов PCIe
Красный	x16
Белый	x8, x4, x1

Индикатор отладочных кодов

Индикатор отладочных кодов отображает фазы процесса самотестирования POST, а также коды ошибок. Для получения дополнительной информации см. таблицу отладочных кодов.

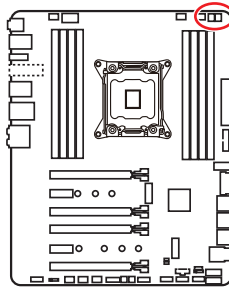


Таблица шестнадцатиричных символов

Шестнадцатиричный символ	0	1	2	3	4	5	6	7	8	9	A	B	C	D	E	F
Индикатор отладочных кодов	0	1	2	3	4	5	6	7	8	9	A	B	C	D	E	F

Фазы загрузки

Security (SEC) – начальная инициализация низкого уровня

Pre-EFI Initialization (PEI) – инициализация памяти

Driver Execution Environment (DXE) – инициализация оборудования

Boot Device Selection (BDS) – настройки системы, пользовательский интерфейс до загрузки ОС & выбор загрузочного устройства (CD/DVD, HDD, USB, Network, Shell, ...)

Таблица отладочных кодов

Прогресс-коды SEC

01	Питание включено. Определение типа сброса (soft/hard)
02	Инициализация AP перед загрузкой микрокода
03	Инициализация System Agent перед загрузкой микрокода
04	Инициализация PCH перед загрузкой микрокода
06	Загрузка микрокода
07	Инициализация AP после загрузки микрокода

08	Инициализация System Agent после загрузки микрокода
09	Инициализация PCH после загрузки микрокода
0B	Инициализация Кэша

Коды ошибок SEC

0C - 0D	Зарезервировано для будущего использования кодами ошибок AMI SEC
0E	Микрокод не найден
0F	Микрокод не загружен

Прогресс-коды PEI

10	Запущено ядро PEI
----	-------------------

11	Запущена инициализация Pre-memory CPU
12 - 14	Инициализация Pre-memory CPU (только модуль CPU)
15	Запущена предварительная инициализация System Agent
16 - 18	Предварительная инициализация System Agent (только модуль System Agent)
19	Запущена предварительная инициализация памяти PCH
1A - 1C	Предварительная инициализация памяти PCH (только модуль PCH)
2B	Инициализация памяти. Чтение данных Serial Presence Detect (SPD)
2C	Инициализация памяти. Определение наличия памяти
2D	Инициализация памяти. Информация о программировании таймингов памяти
2E	Инициализация памяти. Конфигурирование памяти
2F	Инициализация памяти (другое)
31	Память установлена
32	Запущена инициализация CPU post-memory
33	Инициализация CPU post-memory. Инициализация Кэша
34	Инициализация CPU post-memory. Инициализация Application Processor(s) (AP)
35	Инициализация CPU post-memory Загрузка. Выбор Strap Processor (BSP)
36	Инициализация CPU post-memory Система. Инициализация Management Mode (SMM)
37	Запущена предварительная инициализация Post-Memory System Agent
38 - 3A	Инициализация Post-Memory System Agent (только модуль System Agent)
3B	Запущена инициализация Post-Memory PCH
3C - 3E	Инициализация Post-Memory PCH (только модуля PCH)
4F	Запущен DXE IPL

Коды ошибок PEI

50	Ошибка инициализации памяти. Несовместимый тип памяти или несовместимая частота
51	Ошибка инициализации памяти. Ошибка чтения SPD
52	Ошибка инициализации памяти. Неверный объем памяти или разные модули памяти
53	Ошибка инициализации памяти. Не обнаружено работоспособной памяти
54	Непредвиденная ошибка инициализации памяти
55	Память не установлена
56	Недопустимый тип процессора или недопустимая частота
57	Недопустимый процессор
58	Самотестирование процессора не выполнено или возможная ошибка кэша
59	Микрокод процессора не найден либо обновление микрокода не выполнено
5A	Внутренняя ошибка процессора
5B	Сброс PPI не доступен
5C - 5F	Зарезервировано для будущего использования кодами AMI

Прогресс-коды DXE

60	Запущен DXE Core
61	Инициализация NVRAM
62	Настройка PCH Runtime Services
63	Запущена инициализация CPU DXE
64 - 67	Инициализация CPU DXE (только модуль CPU)
68	Инициализация PCI host bridge
69	Запущена инициализация System Agent DXE
6A	Запущена инициализация System Agent DXE SMM
6B - 6F	Инициализация System Agent DXE(только модуль System Agent)
70	Запущена инициализация PCH DXE

71	Запущена инициализация PCH DXE SMM
72	Инициализация устройств PCH
73 - 77	Инициализация PCH DXE (только модуль PCH)
78	Инициализация модуля ACPI
79	Инициализация CSM
7A - 7F	Зарезервировано для будущего использования кодами AMI DXE
90	Запуск фазы выбора загрузочного устройства Boot Device Selection (BDS)
91	Запущено подключение драйвера
92	Запущена инициализация PCI Bus
93	Инициализация контроллера PCI Bus Hot Plug Controller
94	PCI Bus Enumeration 32
95	PCI Bus Request Resources
96	PCI Bus Assign Resources
97	Подключение устройств Console Output
98	Подключение устройств Console Input
99	Инициализация Super IO
9A	Запущена инициализация USB
9B	USB Reset
9C	USB Detect
9D	USB Enable
9E - 9F	Зарезервировано для будущих кодов AMI
A0	Запущена инициализация IDE
A1	IDE Reset
A2	IDE Detect
A3	IDE Enable
A4	Запущена инициализация SCSI
A5	SCSI Reset
A6	SCSI Detect
A7	SCSI Enable
A8	Проверка пароля Setup
A9	Запуск Setup
AB	Ожидание ввода Setup
AD	Событие Ready To Boot

AE	Событие Legacy Boot
AF	Событие Exit Boot Services
B0	Начало Runtime Set Virtual Address MAP
B1	Конец Runtime Set Virtual Address MAP
B2	Инициализация Legacy Option ROM
B3	System Reset
B4	PCI bus hot plug
B5	PCI bus hot plug
B6	Очистка NVRAM
B7	Сброс конфигурации (сброс настроек NVRAM)
B8 - BF	Зарезервировано для будущего использования кодами AMI

Коды ошибок DXE

D0	Ошибка инициализации процессора
D1	Ошибка инициализации System Agent
D2	Ошибка инициализации PCH
D3	Некоторые протоколы архитектуры недоступны
D4	Ошибка выделения ресурсов для PCI. Вне Ресурсов
D5	Нет свободного места для Legacy Option ROM
D6	Не найдены консольные устройства вывода
D7	Не найдены консольные устройства ввода
D8	Неверный пароль
D9	Ошибка загрузки Boot Option (ошибка загрузки образа)
DA	Ошибка Boot Option (ошибка запуска образа)
DB	Ошибка обновления
DC	Протокол сброса недоступен

Прогресс-коды S3 Resume

E0	Запущен S3 Resume (S3 Resume PPI вызывается DXE IPL)
E1	Выполнение S3 Boot Script
E2	Перезапуск видео

E3	OS S3 wake vector call
E4 - E7	Зарезервировано для будущих прогресс-кодов AMI

Коды ошибок S3 Resume

E8	Ошибка S3 Resume
E9	S3 Resume PPI не найден
EA	Ошибка загрузочного скрипта S3 Resume
EB	Ошибка выхода ОС из состояния S3
EC - EF	Зарезервировано для будущего использования кодами AMI

Прогресс-коды восстановления

F0	Состояние восстановления инициировано прошивкой (Автоматическое восстановление)
F1	Состояние восстановления инициировано пользователем (Принудительное восстановление)
F2	Запущен процесс восстановления
F3	Найден образ прошивки восстановления
F4	Загружен образ прошивки восстановления
F5 - F7	Зарезервировано для будущего использования прогресс-кодами AMI

Коды ошибок восстановления

F8	Восстановление PPI не доступно
F9	Капсула восстановления не найдена

FA	Неверная капсула восстановления
FB - FF	Reserved for future AMI error codes

Коды состояний ACPI

Следующие коды появляются после загрузки и перехода операционной системы в режимы ACPI.

01	Система входит в режим сна S1
02	Система входит в режим сна S2
03	Система входит в режим сна S3
04	Система входит в режим сна S4
05	Система входит в режим сна S5
10	Система выходит из состояния сна S1
20	Система выходит из состояния сна S2
30	Система выходит из состояния сна S3
40	Система выходит из состояния сна S4
AC	Система перешла в режим ACPI. Контроллер прерываний в режиме PIC.
AA	Система перешла в режим ACPI. Контроллер прерываний в режиме APIC.

Температура процессора

00 - 99	Отображают текущую температуру процессора после загрузки ОС.
----------------	--

Обновление прошивки светодиодной подсветки

Обновление прошивки светодиодной подсветки может улучшить работу светодиодных эффектов.

Для обновление прошивки подсветки:

1. Установите и запустите MSI LIVE UPDATE 6.
2. Выберите **BIOS Update**.
3. Нажмите на кнопку **Scan**. Если прошивка подсветки требует обновления, в списке появится версия прошивки.
4. Выберите соответствующий пункт в списке.



5. Нажмите на значок **Total installer**, чтобы загрузить и установить файл прошивки.
6. По завершению процесса обновления, перезагрузите компьютер.

Настройка BIOS

Настройки по умолчанию обеспечивают оптимальную производительность и стабильность системы при нормальных условиях. Если вы недостаточно хорошо знакомы с BIOS, **всегда устанавливайте настройки по умолчанию**. Это позволит избежать возможных повреждений системы, а также проблем с загрузкой.

Внимание!

- С целью улучшения производительности, меню BIOS постоянно обновляется. В связи с этим данное описание может немного отличаться от последней версии BIOS и может использоваться в качестве справки. Для описания какого либо пункта меню настроек BIOS, вы можете обратиться к информационной панели **HELP**.
- Изображения в этой главе приведены исключительно в справочных целях и могут отличаться от фактических.

Вход в настройки BIOS

Ниже представлены способы входа в настройки BIOS.

- Нажмите клавишу **Delete**, когда появляется сообщение на экране **Press DEL key to enter Setup Menu, F11 to enter Boot Menu** во время загрузки.
- При помощи приложения **MSI FAST BOOT**. Нажмите на кнопку **GO2BIOS** и выберите **OK**. Система перезагрузится и автоматически войдет в настройки BIOS.



Нажмите на кнопку **GO2BIOS**

Функциональные клавиши

- F1:** Общая справка
- F2:** Добавить / Удалить избранный предмет
- F3:** Вход в меню Избранное
- F4:** Вход в меню технических параметров процессора
- F5:** Вход в меню Memory-Z
- F6:** Загрузить оптимизированные настройки по умолчанию
- F7:** Переключить между расширенном режимом и режимом EZ
- F8:** Загрузить профиль разгона
- F9:** Сохранить профиль разгона
- F10:** Сохранение изменений и перезагрузка*
- F12:** Сделать скриншот и сохранить его на USB флэш-диск (только FAT / FAT32 формат).

Ctrl+F: Вход в страницу поиска

* При нажатии клавиши **F10** появится информационное окно. Выберите **Yes** или **No**, чтобы подтвердить выбор.

Сброс BIOS

В некоторых ситуациях необходимо выполнить восстановление настроек BIOS до значений по умолчанию. Существует несколько способов сброса настроек:

- Войдите в BIOS и нажмите клавишу **F6** для загрузки оптимизированных значений по умолчанию.
- Замкните **джампер Clear CMOS** на материнской плате.



Внимание!

*Убедитесь, что компьютер выключен перед очисткой данных CMOS. Для получения дополнительной информации о сбросе настроек BIOS, обратитесь к разделу **Джампер очистки данных CMOS**.*

Обновление BIOS

Обновление BIOS при помощи M-FLASH

Подготовительные операции:

Пожалуйста, скачайте последнюю версию файла BIOS с сайта MSI, который соответствует вашей модели материнской платы. Сохраните файл BIOS на флэш-диске USB.

Обновление BIOS:

1. Нажмите клавишу Del для входа в настройки BIOS во время процедуры POST.
2. Вставьте флэш-диск USB, содержащий файл обновления в компьютер.
3. Выберите вкладку **M-FLASH** и нажмите на кнопку **Yes** для перезагрузки системы и входа в режим обновления.
4. Выберите файл BIOS для выполнения процесса обновления BIOS.
5. После завершения процесса обновления, система перезагрузится автоматически.

Обновление BIOS при помощи Live Update 6

Перед обновлением:

Убедитесь, что драйвер локальной сети установлен и есть подключение к сети Интернет.

Обновление BIOS:

1. Установите и запустите MSI LIVE UPDATE 6.
2. Выберите **BIOS Update**.
3. Нажмите на кнопку **Scan**.
4. Нажмите на значок **Download**, чтобы загрузить и установить последнюю версию файла BIOS.
5. Нажмите кнопку **Next** и выберите **In Windows mode**. И затем нажмите кнопку **Next** и **Start** для запуска обновления BIOS.
6. По завершению процесса обновления, система перезагрузится автоматически.

Обновление BIOS при помощи BIOS FLASHBACK+

Подготовительные операции:

Пожалуйста, скачайте последнюю версию файла BIOS с сайта MSI, который соответствует вашей модели материнской платы и переименуйте файл BIOS в **MSI.ROM**. Затем сохраните файл **MSI.ROM** в корневую папку флэш-диска USB.



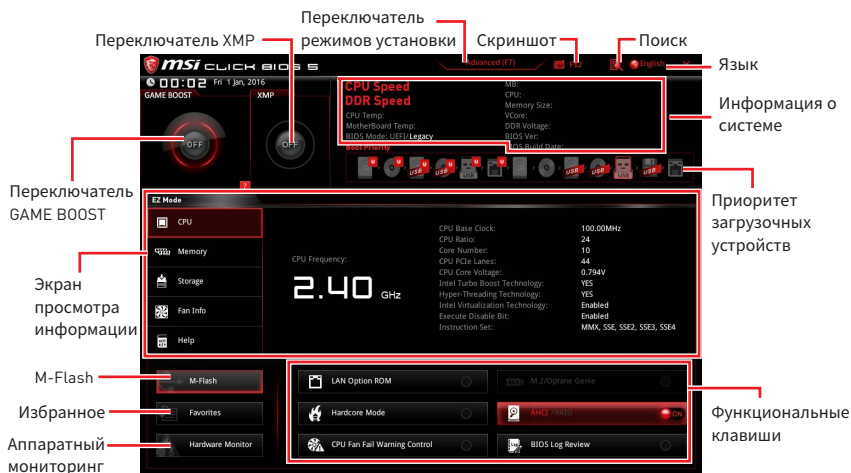
Внимание!

*Перед использованием функции **BIOS FLASHBACK+** убедитесь, что USB флэш-диск имеет файловую систему FAT32.*

1. Подключите блок питания к **CPU_PWR1** и **ATX_PWR1**. ((Никакие другие компоненты кроме блока питания не используются.)
2. Подключите USB флэш-диск, содержащий файл MSI.ROM в порт BIOS FLASHBACK+ на задней панели портов ввода/ вывода.
3. Нажмите кнопку BIOS FLASHBACK+ для обновления BIOS. Светодиод BIOS FLASHBACK+ начинает мигать.
4. По завершению процесса обновления BIOS светодиод FLASHBACK+ гаснет.

Режим EZ

Режим EZ предоставляет основную информацию о системе и позволяет выполнить основные операции по настройке. Для настройки расширенных функций BIOS, пожалуйста, войдите в Расширенный режим, путем нажатия **Переключатель режимов установки** или при помощи функциональной клавиши **F7**.



• **Переключатель GAME BOOST** - кликните для переключения в ОС режим **GAME BOOST**.

Внимание!

*Для сохранения оптимальной производительности и стабильности системы после активации функции **GAME BOOST**, пожалуйста, не делайте никаких изменений в меню ОС и не загружайте настройки по умолчанию.*

• **Переключатель XMP** - нажмите на внутренний значок, чтобы включить/выключить X.M.P. (Extreme Memory Profile). Для выбора профиля X.M.P. переключите внешний значок. Этот переключатель доступен только в случае, если установлен модуль памяти с поддержкой X.M.P.

• **Переключатель режимов установки** - нажмите эту вкладку или клавишу **F7**, чтобы переключиться между режимами EZ и разгона.

• **Скриншот** - нажмите на эту вкладку или клавишу **F12**, чтобы сделать скриншот и сохранить его на флэш-диск USB (только FAT/ FAT32).

• **Поиск** - кликните по данной вкладке или нажмите клавиши **Ctrl + F** для перехода на страницу поиска. Это позволяет выполнить поиск по имени параметра BIOS. Для вывода списка пунктов BIOS, введите имя параметра. Наведите указатель мыши на пустое место и щелкните правой кнопкой мыши, для выхода со страницы поиска.

Внимание!

*На странице поиска доступны только функциональные клавиши **F6**, **F10** и **F12**.*

- **Язык** - позволяет выбрать язык интерфейса настроек BIOS.
- **Информация о системе** - показывает частоту процессора/ памяти, температуру процессора/ материнской платы, информацию о материнской плате/процессоре, размер памяти, напряжение на процессоре/ памяти, версию BIOS и дату создания.
- **Приоритет загрузочных устройств** - вы можете переместить иконку устройства для изменения приоритета загрузки. Приоритет загрузки устанавливается слева направо, от высокого к низкому.
- **Экран просмотра информации** - нажмите на кнопку **CPU, Memory, Storage, Fan Info** и **Help** в левой части экрана для отображения соответствующей информации.
- **Функциональные клавиши** - включают или выключают **LAN Option ROM, M.2/Optane Genie, Hardcore Mode, AHCI, RAID, CPU Fan Fail Warning Control** и **BIOS Log Review**, при нажатии на соответствующую кнопку.
 - **Hardcore Mode** - позволяет процессору всегда работать на максимальной частоте для увеличения производительности системы. Включение данной функции приводит к увеличению энергопотребления.
- **M-Flash** - нажмите на эту кнопку для отображения меню **M-Flash**. Пункт позволяет выбрать способ обновления BIOS при помощи USB флеш накопителя.
- **Аппаратный мониторинг** - нажмите на эту кнопку для отображения меню **аппаратного мониторинга**. Пункт позволяет вручную регулировать скорость вращения вентиляторов в процентах.
- **Избранное** - нажмите на данную кнопку или клавишу **F3** для входа в меню **Избранное**. Позволяет создать личное меню BIOS, где вы можете сохранить и получить доступ к вашим любимым и часто используемым настройкам BIOS.
 - **Главная страница по умолчанию** - позволяет выбрать меню BIOS (например, параметры, ОС..., и т.д.) в качестве главной страницы BIOS.
 - **Избранное1-5** - позволяет добавлять наиболее часто используемые / любимые пункты настройки BIOS на одну страницу.
 - **Добавление пункта BIOS в страницу Избранное (избранное 1-5)**
 1. Выберите пункт BIOS в настройках ОС или меню ОС.
 2. Щелкните правой кнопкой мыши или нажмите клавишу **F2**.
 3. Выберите любимую страницу и нажмите на кнопку **OK**.
 - **Удаление пункта BIOS из страницы Избранное**
 1. Выберите пункт BIOS на странице Избранное (избранное 1-5).
 2. Щелкните правой кнопкой мыши или нажмите клавишу **F2**.
 3. Выберите **Delete** и нажмите на кнопку **OK**.

Режим разгона

Нажмите **переключатель режимов установки** или функциональную клавишу **F7** для переключения между режимами EZ и разгона в настройках BIOS.



• **Переключатель GAME BOOST/ Переключатель XMP/ Переключатель режимов установки/ Скриншот/ Язык/ Информация о системе/ Приоритет загрузочных устройств** - пожалуйста, обратитесь к разделу Режим EZ.

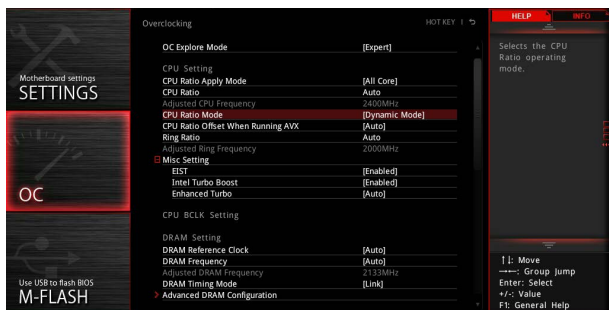
• **Выбор меню BIOS** - доступны следующие опции:

- **SETTINGS** - в данном меню представлены настройки чипсета и загрузочных устройств.
- **OC** - позволяют регулировать частоту и напряжение. Увеличение частоты приводит к увеличению производительности.
- **M-FLASH** - позволяет выбрать метод обновления BIOS с USB флэш-диска.
- **OC PROFILE** - позволяет управлять профилями разгона.
- **HARDWARE MONITOR** - позволяет установить скорость работы вентиляторов и мониторинг напряжений системы.
- **BOARD EXPLORER** - предоставляет информации об установленных устройствах на материнской плате.

• **Экран меню** - отображаются настройки BIOS и дополнительная информация.

Меню OC

Данное меню предназначено для опытных пользователей и предоставляет возможности для «разгона» системы.



Внимание!

- Разгонять ПК вручную рекомендуется только опытным пользователям.
- Производитель не гарантирует успешность разгона. Неправильное выполнение разгона может привести к аннулированию гарантии и серьезному повреждению оборудования.
- Неопытным пользователям рекомендуется использовать функцию **GAME BOOST**.

► OC Explore Mode [Normal]

Включение или выключение отображения нормального или экспертного режима настроек разгона.

[Normal] Стандартные параметры разгона в BIOS.

[Expert] Расширенные параметры разгона в BIOS для опытных пользователей.

Примечание: Символом * отмечаются параметры разгона в режиме Expert.

► CPU Ratio Apply Mode [All Core]*

Устанавливает режим применения для множителя CPU. Данный пункт появляется только, если процессор поддерживает **Turbo Boost**.

[All Core] Включает поле **CPU Ratio**. Все процессорные ядра работают с одинаковым множителем CPU, установленным в **CPU Ratio**.

[Per Core] Включает **X-Core Ratio Limit**. Устанавливает множитель для каждого ядра отдельно в **X-Core Ratio Limit**.

► CPU Ratio [Auto]

Задание множителя процессора для установки его тактовой частоты. Изменение данного параметра возможно только в том случае, если процессор поддерживает данную функцию.

► Adjusted CPU Frequency

Показывает текущую частоту процессора. Это значение нельзя изменять.

► CPU Ratio Mode [Dynamic Mode]*

Выбор множителя процессора. Этот пункт появляется при установке множителя процессора вручную.

[Fixed Mode] Фиксирует множитель процессора.

[Dynamic Mode] Множитель процессора будет меняться в зависимости от загрузки процессора.

► CPU Ratio Offset When Running AVX [Auto]

Устанавливает значение смещения для понижения множителя процессора. Это может быть полезным для снижения тепловыделения при запуске набора инструкций AVX. Этот пункт появляется при установке процессора с поддержкой данной функции.

► Ring Ratio [Auto]

Установка множителя кольцевой шины. Диапазон допустимых значений зависит от установленного процессора.

► Adjusted Ring Frequency

Установка множителя кольцевой шины. Это значение нельзя изменять.

► Misc Setting*

Нажмите клавишу Enter, + или -, чтобы включить или выключить следующие 3 пункта, связанные с характеристиками процессора.

► EIST [Enabled]*

Включение или выключение технологии Enhanced Intel® SpeedStep.

[Enabled] Включение EIST для регулировки напряжения и частоты ядра процессора. Этот пункт может снизить среднее энергопотребление и тепловыделение.

[Disabled] Выключение EIST.

► Intel Turbo Boost [Enabled]*

Включение или выключение Intel® Turbo Boost. Этот пункт появляется, когда установленный процессор поддерживает данную функцию.

[Enabled] Включение этой функции приводит к автоматическому увеличению производительности процессора.

[Disabled] Функция выключена.

► Enhanced Turbo [Auto]*

Функция Enhanced Turbo позволяет увеличивать частоту на всех ядрах процессора.

[Auto] Этот параметр будет настроен автоматически с помощью BIOS.

[Enabled] Увеличение частоты всех процессорных ядер до максимального значения.

[Disabled] Функция выключена.

► Extreme Memory Profile (X.M.P.) [Disabled]

X.M.P. (Extreme Memory Profile) является технологией разгона для модулей памяти. Включите XMP или выберите профиль модуля памяти XMP для разгона. Этот пункт доступен при установке модулей памяти с поддержкой X.M.P.

► DRAM Reference Clock [Auto]*

Установка референсной частоты DRAM. Диапазон допустимых значений зависит от установленного процессора. Этот пункт доступен, если установлен соответствующий процессор.

► DRAM Frequency [Auto]

Установка частоты памяти DRAM. Обратите внимание, что возможность успешного разгона не гарантируется.

► Adjusted DRAM Frequency

Показывает текущую частоту DRAM. Это значение нельзя изменять.

► DRAM Timing Mode [Link]

Режимы таймингов памяти.

[Link] Позволяет пользователю настроить тайминги DRAM вручную для всех каналов памяти.

[UnLink] Позволяет пользователю настроить тайминги DRAM вручную для соответствующего канала памяти.

► Advanced DRAM Configuration

Нажмите **Enter** для входа в подменю. Пользователь может настроить тайминги для каждого канала памяти. Система может работать нестабильно или не загружаться после изменения таймингов памяти. Если система работает нестабильно, пожалуйста, очистите данные CMOS и восстановите настройки по умолчанию. (см. переключатель очистки данных CMOS/раздел кнопки для очистки данных CMOS и вход в BIOS, чтобы загрузить настройки по умолчанию.)

► Memory Fast Boot [Auto]*

Включает или выключает инициализацию и тренировку памяти при каждой загрузке.

[Auto] Этот параметр будет настроен автоматически с помощью BIOS.

[Enabled] Система будет сохранять настройки, определенные при первой инициализации и тренировке памяти. Оперативная память более не будет подвергаться процессу инициализации и тренировке измененными настройками для ускорения загрузки.

[Disabled] Память будет проходить процесс инициализации и тренировки при каждой загрузке.

► DigitALL Power

Нажмите **Enter** для входа в подменю. Функция управляет цепями питания, связанными с PWM процессора.

► SVID Communication [Auto]*

Включение или выключение поддержки SVID (Serial Voltage Identification).

[Auto] Этот параметр будет настроен автоматически с помощью BIOS.

[Enabled] Фаза PWM будет изменяться динамически в зависимости от SVID процессора (Serial Voltage Identification).

[Disabled] Выключение поддержки SVID (Serial Voltage Identification).

► VCCIN Voltage [Auto]

Установка входного напряжения процессора. Входное напряжение процессора используется для питания различных его блоков.

► CPU Voltages control [Auto]

Эти параметры позволяют вам задать напряжения, связанные с процессором. При установке в **Auto**, BIOS установит напряжения автоматически. Вы также можете настроить напряжения вручную.

► DRAM Voltages control [Auto]

Эти параметры позволяют вам задать напряжения, связанные с памятью. При установке в **Auto**, BIOS установит напряжения автоматически. Вы также можете настроить напряжения вручную.

► PCH Voltages control [Auto] (опционально)

Эти параметры позволяют вам задать напряжения, связанные с PCH. При установке в **Auto**, BIOS установит напряжения автоматически. Вы также можете настроить напряжения вручную.

► CPU Memory Changed Detect [Enabled]*

Включение или выключение предупреждающих сообщений при загрузке системы, когда процессор или память были заменены.

[Enabled] Система выдает предупреждение во время загрузки. Требуется загрузить настройки по умолчанию для новых устройств.

[Disabled] Выключение этой функции и сохранение текущих настроек BIOS.

► CPU Specifications

Нажмите **Enter** для входа в подменю. В этом подменю представлена информация об установленном процессоре. Для просмотра этой информации в любое время нажмите на кнопку [F4]. Это значение нельзя изменять.

► CPU Technology Support

Нажмите **Enter** для входа в подменю. В данном подменю отображаются основные функции, поддерживаемые установленным процессором. Это значение нельзя изменять.

► MEMORY-Z

Нажмите **Enter** для входа в подменю. В подменю выделены все параметры и тайминги установленной памяти. Для просмотра этой информации в любое время нажмите на кнопку [F5].

► DIMMx Memory SPD

Нажмите **Enter** для входа в подменю. Это подменю показывает информацию об установленной памяти. Это значение нельзя изменять.

► CPU Features

Нажмите **Enter** для входа в подменю.

► **Hyper-Threading [Enabled]**

Технология Intel Hyper-Threading позволяет нескольким наборам регистров в процессоре исполнять инструкции одновременно. Это существенно увеличивает производительность системы. Этот пункт появляется, когда установленный процессор поддерживает изменение данного параметра.

[Enabled] Включить технологию Intel Hyper-Threading.

[Disabled] Выключить эту функцию, если система не поддерживает функцию HT.

► **Active Processor Cores [All]**

Позволяет вам выбрать количество активных ядер процессора.

► **Limit CPUID Maximum [Disabled]**

Включение или выключение расширенных значений CPUID.

[Enabled] BIOS будет ограничивать максимальное входное значение CPUID для обхода проблемы загрузки в устаревших операционных системах, не поддерживающих процессор с расширенными значениями CPUID.

[Disabled] Используйте фактическое максимальное входное значение CPUID.

► **Intel Virtualization Tech [Enabled]**

Включение или выключение технологии Intel Virtualization.

[Enabled] Включение технологии Intel Virtualization и позволяют платформе запустить нескольких операционных систем в независимых разделах. Система может функционировать в качестве нескольких систем виртуально.

[Disabled] Выключение этой функции.

► **Intel VT-D Tech [Disabled]**

Включение или выключение технологии Intel VT-D (Intel Virtualization for Direct I/O).

► **Hardware Prefetcher [Enabled]**

Включение или выключение аппаратной предвыборки (MLC Streamer prefetcher).

[Enabled] Позволяет автоматически реализовывать предвыборку данных и инструкций из памяти в кэш L2 для настройки производительности процессора.

[Disabled] Выключение аппаратной предвыборки.

► **Adjacent Cache Line Prefetch [Enabled]**

Включение или выключение предвыборки процессора (MLC Spatial prefetcher).

[Enabled] Включает соседней предвыборки линии кэша для сокращения времени задержки кэша и настройки производительности для определенного приложения

[Disabled] Включает только запрашиваемую линию кэша.

► **CPU AES Instructions [Enabled]**

Включение или выключение поддержки CPU AES (Advanced Encryption Standard-New Instructions). Этот пункт появляется, если процессор поддерживает данную функцию.

► **Intel Adaptive Thermal Monitor [Enabled]**

Включение или выключение адаптивного температурного мониторинга для защиты процессора от перегрева.

[Enabled] Уменьшает частоту ядра процессора, когда процессор превышает адаптивную температуру.

[Disabled] Выключение функции.

► **Intel C-State [Auto]**

Включение или выключение Intel C-State. C-State является технологией управления питанием процессора, определенной ACPI.

[Auto] Параметр будет настроен автоматически с помощью BIOS.

[Enabled] Определяет состояние простоя системы и значительно сокращает энергопотребление процессором.

[Disabled] Выключение функции.

► **C1E Support [Disabled]**

Включение или выключение функции C1E для энергосбережения в состоянии простоя. Данный пункт появляется при включении "Intel C-State".

[Enabled] Включение функции C1E для снижения частоты и напряжения процессора в целях энергосбережения в состоянии простоя.

[Disabled] Выключение функции.

► **Package C State Limit [Auto]**

Данный параметр позволяет выбрать режим C-state для энергосбережения при простое системы. Варианты C-state зависят от установленного процессора. Этот элемент появляется при включении Intel C-State.

► **CFG Lock [Enabled]**

Блокировка или разблокировка MSR 0xE2[15], бит блокировки CFG.

[Enabled] Блокирует бит блокировки CFG.

[Disabled] Разблокирует бит блокировки CFG.

► **Long Duration Power Limit (W) [Auto]**

Настроить предельную мощность TDP процессора для длительной работы в режиме Turbo Boost.

► **Long Duration Maintained (s) [Auto]**

Настроить максимальное время работы процессора с ограничением мощности при Long Duration Power Limit(W).

► **Short Duration Power Limit (W) [Auto]**

Настроить предельную мощность TDP процессора при кратковременных нагрузках в режиме Turbo Boost.

► **CPU Current Limit (A) [Auto]**

Устанавливает максимальное ограничение по току для процессора в режиме Turbo Boost. В случае превышения установленного значения, процессор автоматически снижает частоту ядер.

► **FCLK Frequency [Auto]**

Устанавливает частоту FCLK. Нижняя частота FCLK может помочь вам установить более высокую частоту базовой тактовой.

► **DMI Link Speed [Auto]**

Устанавливает скорость DMI.

Описание программного обеспечения

Установка Windows® 10

1. Включите компьютер.
2. Вставьте диск Windows® 10 в привод для оптических дисков.
3. Нажмите кнопку **Restart** на корпусе компьютера.
4. Нажмите клавишу **F11** во время POST (Power-On Self Test) компьютера, чтобы войти в меню загрузки.
5. Выберите оптический привод в меню загрузки.
6. Нажмите любую клавишу, когда на экране показывает сообщение **Press any key to boot from CD or DVD...**
7. Следуйте инструкциям на экране, чтобы установить Windows® 10.

Установка драйверов

1. Загрузите компьютер в Windows® 10.
2. Вставьте диск с драйверами MSI® Driver Disc в привод для оптических дисков.
3. Автоматически отобразится окно установщика, который найдет и перечислит все необходимые драйверы.
4. Нажмите кнопку **Install**.
5. Начнется установка драйверов. После ее завершения будет предложено перезапустить систему.
6. Нажмите кнопку **OK** для завершения.
7. Перезапустите компьютер.

Установка утилит

Перед установкой утилиты необходимо выполнить установку драйверов.

1. Вставьте диск с драйверами MSI® Driver Disc в привод для оптических дисков.
2. Автоматически отобразится окно установщика.
3. Нажмите вкладку **Utilities**.
4. Выберите необходимые для установки утилиты.
5. Нажмите кнопку **Install**.
6. Начнется установка программного обеспечения. После ее завершения будет предложено перезапустить систему.
7. Нажмите кнопку **OK** для завершения.
8. Перезапустите компьютер.

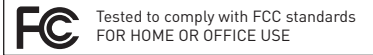
Regulatory Notices

FCC Compliance Statement

Note: This equipment has been tested and found to comply with the limits for a Class B digital device, pursuant to part 15 of the FCC Rules. These limits are designed to provide reasonable protection against harmful interference in a residential installation. This equipment generates, uses and can radiate radio frequency energy and, if not installed and used in accordance with the instructions, may cause harmful interference to radio communications. However, there is no guarantee that interference will not occur in a particular installation. If this equipment does cause harmful interference to radio or television reception, which can be determined by turning the equipment off and on, the user is encouraged to try to correct the interference by one or more of the following measures:

- Reorient or relocate the receiving antenna.
- Increase the separation between the equipment and receiver.
- Connect the equipment into an outlet on a circuit different from that to which the receiver is connected.
- Consult the dealer or an experienced radio/TV technician for help.

Caution: Changes or modifications not expressly approved by the party responsible for compliance could void the user's authority to operate the equipment.



This device complies with part 15 of the FCC Rules. Operation is subject to the following two conditions: (1) This device may not cause harmful interference, and (2) this device must accept any interference received, including interference that may cause undesired operation.

B급 기기 (가정용 방송통신기자재)

이 기기는 가정용(B급) 전자파적합기기로서 주로 가정에서 사용하는 것을 목적으로 하며, 모든 지역에서 사용할 수 있습니다.

クラスB情報技術装置



この装置は、クラスB情報技術装置です。この装置は、家庭環境で使用することを目的としていますが、この装置がラジオやテレビジョン受信機に近接して使用されると、受信障害を引き起こすことがあります。取扱説明書に従って正しい取り扱いをして下さい

VCCI-B

C-Tick Compliance



N1996

Battery Information

European Union:



Batteries, battery packs, and accumulators should not be disposed of as unsorted household waste. Please use the public collection system to return, recycle, or treat them in compliance with the local regulations.

Taiwan:



廢電池請回收

For better environmental protection, waste batteries should be collected separately for recycling or special disposal.

California, USA:



The button cell battery may contain perchlorate material and requires special handling when recycled or disposed of in California.

For further information please visit:

<http://www.dtsc.ca.gov/hazardouswaste/perchlorate/>

CAUTION: There is a risk of explosion, if battery is incorrectly replaced.

Replace only with the same or equivalent type recommended by the manufacturer.

Chemical Substances Information

In compliance with chemical substances regulations, such as the EU REACH Regulation [Regulation EC No. 1907/2006 of the European Parliament and the Council], MSI provides the information of chemical substances in products at: http://www.msi.com/html/popup/csr/evmtrprt_pcm.html

Environmental Policy

- The product has been designed to enable proper reuse of parts and recycling and should not be thrown away at its end of life.
- Users should contact the local authorized point of collection for recycling and disposing of their end-of-life products.
- Visit the MSI website and locate a nearby distributor for further recycling information.
- Users may also reach us at gpcontdev@msi.com for information regarding proper Disposal, Take-back, Recycling, and Disassembly of MSI products.



WEEE (Waste Electrical and Electronic Equipment) Statement

ENGLISH

To protect the global environment and as an environmentalist, MSI must remind you that...

Under the European Union ("EU") Directive on Waste Electrical and Electronic Equipment, Directive 2002/96/EC, which takes effect on August 13, 2005, products of "electrical and electronic equipment" cannot be discarded as municipal wastes anymore, and manufacturers of covered electronic equipment will be obligated to take back such products at the end of their useful life. MSI will comply with the product take back requirements at the end of life of MSI-branded products that are sold into the EU. You can return these products to local collection points.

DEUTSCH

Hinweis von MSI zur Erhaltung und Schutz unserer Umwelt

Gemäß der Richtlinie 2002/96/EG über Elektro- und Elektronik-Altgeräte dürfen Elektro- und Elektronik-Altgeräte nicht mehr als kommunale Abfälle entsorgt werden. MSI hat europaweit verschiedene Sammel- und Recyclingunternehmen beauftragt, die in die



Europäische Union in Verkehr gebrachten Produkte, am Ende seines Lebenszyklus zurückzunehmen. Bitte entsorgen Sie dieses Produkt zum gegebenen Zeitpunkt ausschließlich an einer lokalen Altgerätesammelstelle in Ihrer Nähe.

FRANÇAIS

En tant qu'écologiste et afin de protéger l'environnement, MSI tient à rappeler ceci... Au sujet de la directive européenne (EU) relative aux déchets des équipements électriques et électroniques, directive 2002/96/EC, prenant effet le 13 août 2005, que les produits électriques et électroniques ne peuvent être déposés dans les décharges ou tout simplement mis à la poubelle. Les fabricants de ces équipements seront obligés de récupérer certains produits en fin de vie. MSI prendra en compte cette exigence relative au retour des produits en fin de vie au sein de la communauté européenne. Par conséquent vous pouvez retourner localement ces matériels dans les points de collecte.

РУССКИЙ

Компания MSI предпринимает активные действия по защите окружающей среды, поэтому напоминаем вам, что.... В соответствии с директивой Европейского Союза (ЕС) по предотвращению загрязнения окружающей среды использованным электрическим и электронным оборудованием (директива WEEE 2002/96/EC), вступающей в силу 13 августа 2005 года, изделия, относящиеся к электрическому и электронному оборудованию, не могут рассматриваться как бытовой мусор, поэтому производители вышеперечисленного электронного оборудования обязаны принимать его для переработки по окончании срока службы. MSI обязуется соблюдать требования по приему продукции, проданной под маркой MSI на территории ЕС, в переработку по окончании срока службы. Вы можете вернуть эти изделия в специализированные пункты приема.

ESPAÑOL

MSI como empresa comprometida con la protección del medio ambiente, recomienda: Bajo la directiva 2002/96/EC de la Unión Europea en materia de desechos y/o equipos electrónicos, con fecha de rigor desde el 13 de agosto de 2005, los productos clasificados como "eléctricos y equipos electrónicos" no pueden ser depositados en los contenedores habituales de su municipio, los fabricantes de equipos electrónicos, están obligados a hacerse cargo de dichos productos al término de su período de vida. MSI estará comprometido con los términos de recogida de sus productos vendidos en la Unión Europea al final de su período de vida. Usted debe depositar estos productos en el punto limpio establecido por el ayuntamiento de su localidad o entregar a una empresa autorizada para la recogida de estos residuos.

NEDERLANDS

Om het milieu te beschermen, wil MSI u eraan herinneren dat.... De richtlijn van de Europese Unie (EU) met betrekking tot Vervuiling van Elektrische en Electronische producten (2002/96/EC), die op 13 Augustus 2005 in zal gaan kunnen niet meer beschouwd worden als vervuiling. Fabrikanten van dit soort producten worden verplicht om producten retour te nemen aan het eind van hun levenscyclus. MSI zal overeenkomstig

de richtlijn handelen voor de producten die de merknaam MSI dragen en verkocht zijn in de EU. Deze goederen kunnen geretourneerd worden op lokale inzamelingspunten.

SRPSKI

Da bi zaštitili prirodnu sredinu, i kao proizvođač koji vodi računa o okolini i prirodnoj sredini, MSI mora da vas podesti da... Po Direktivi Evropske unije ("EU") o odbačenoj elektonskoj i električnoj opremi, Direktiva 2002/96/EC, koja stupa na snagu od 13. Avgusta 2005, proizvođači koji spadaju pod "elektonsku i električnu opremu" ne mogu više biti odbačeni kao običan otpad i proizvođači ove opreme biće prinuđeni da uzmu natrag ove proizvode na kraju njihovog uobičajenog veka trajanja. MSI će poštovati zahtev o preuzimanju ovakvih proizvoda kojima je istekao vek trajanja, koji imaju MSI oznaku i koji su prodati u EU. Ove proizvode možete vratiti na lokalnim mestima za prikupljanje.

POLSKI

Aby chronić nasze środowisko naturalne oraz jako firma dbająca o ekologię, MSI przypomina, że... Zgodnie z Dyrektywą Unii Europejskiej ("UE") dotyczącej odpadów produktów elektrycznych i elektronicznych (Dyrektywa 2002/96/EC), która wchodzi w życie 13 sierpnia 2005, tzw. "produkty oraz wyposażenie elektryczne i elektroniczne" nie mogą być traktowane jako śmieci komunalne, tak więc producenci tych produktów będą zobowiązani do odbierania ich w momencie gdy produkt jest wycofywany z użycia. MSI wypetni wymagania UE, przyjmując produkty (sprzedawane na terenie Unii Europejskiej) wycofywane z użycia. Produkty MSI będzie można zwracać w wyznaczonych punktach zbiorczych.

TÜRKÇE

Çevreci özelliğiyle bilinen MSI dünyada çevreyi korumak için hatırlatır: Avrupa Birliği (AB) Kararnamesi Elektrik ve Elektronik Malzeme Atığı, 2002/96/EC Kararnamesi altında 13 Ağustos 2005 tarihinden itibaren itibaren geçerli olmak üzere, elektrikli ve elektronik malzemeler diğer atıklar gibi çöpe atılmayacak ve bu elektronik cihazların üreticileri, cihazların kullanım süreleri bittikten sonra ürünleri geri toplamakla yükümlü olacaktır. Avrupa Birliği'ne satılan MSI markalı ürünlerin kullanım süreleri bittiğinde MSI ürünlerini geri alınması isteği ile işbirliği içerisinde olacaktır. Ürünlerinizi yerel toplama noktalarına bırakabilirsiniz.

ČESKY

Záleží nám na ochraně životního prostředí - společnost MSI upozorňuje... Podle směrnice Evropské unie ("EU") o likvidaci elektrických a elektronických výrobků 2002/96/EC platné od 13. srpna 2005 je zakázáno likvidovat "elektrické a elektronické výrobky" v běžném komunálním odpadu a výrobci elektrických výrobků, na které se tato směrnice vztahuje, budou povinni odbírat takové výrobky zpět po skončení jejich životnosti. Společnost MSI splní požadavky na odebrání výrobků značky MSI, prodávaných v zemích EU, po skončení jejich životnosti. Tyto výrobky můžete odevzdat v místních sběrnách.

MAGYAR

Annak érdekében, hogy környezetünket megvédjük, illetve környezettudóként fellépve az MSI emlékezteti Önt, hogy ... Az Európai Unió („EU”) 2005. augusztus 13-án hatályba lépő, az elektronikus és elektronikus berendezések

hulladékaíróról szóló 2002/96/EK irányelvé szerint az elektromos és elektronikus berendezések többé nem kezelhetőek lakossági hulladékként, és az ilyen elektronikus berendezések gyártói kötelesek válnak az ilyen termékek visszavételére azok hasznos élettartama végén. Az MSI betartja a termékvisszavételre kapcsolatos követelményeket az MSI márkanév alatt az EU-n belül értékesített termékek esetében, azok élettartamának végén. Az ilyen termékeket a legközelebbi gyűjtőhelyre viheti.

ITALIANO

Per proteggere l'ambiente, MSI, da sempre amica della natura, ti ricorda che....

In base alla Direttiva dell'Unione Europea (EU) sullo Smaltimento dei Materiali Elettrici ed Elettronici, Direttiva 2002/96/EC in vigore dal 13 Agosto 2005, prodotti appartenenti alla categoria dei Materiali Elettrici ed Elettronici non possono più essere eliminati come rifiuti municipali: i produttori di detti materiali saranno obbligati a ritirare ogni prodotto alla fine del suo ciclo di vita. MSI si adeguerà a tale Direttiva ritirando tutti i prodotti marchiati MSI che sono stati venduti all'interno dell'Unione Europea alla fine del loro ciclo di vita. È possibile portare i prodotti nel più vicino punto di raccolta

日本JIS C 0950材質宣言

日本工業規格JIS C 0950により、2006年7月1日以降に販売される特定分野の電気および電子機器について、製造者による含有物質の表示が義務付けられます。
http://www.msi.com/html/popup/csr/cemm_jp.html
http://tw.msi.com/html/popup/csr_tw/cemm_jp.html

India RoHS

This product complies with the "India E-waste (Management and Handling) Rule 2011" and prohibits use of lead, mercury, hexavalent chromium, polybrominated biphenyls or polybrominated diphenyl ethers in concentrations exceeding 0.1 weight % and 0.01 weight % for cadmium, except for the exemptions set in Schedule 2 of the Rule.

Türkiye EEE yönetmeliği

Türkiye Cumhuriyeti: EEE Yönetmeliğine Uygundur

Україна обмеження на наявність небезпечних речовин

Обладнання відповідає вимогам Технічного регламенту щодо обмеження використання деяких небезпечних речовин в електричному та електронному обладнанні, затвердженого постановою Кабінету Міністрів України від 3 грудня 2008 № 1057.

Việt Nam RoHS

Kể từ ngày 01/12/2012, tất cả các sản phẩm do công ty MSI sản xuất tuân thủ Thông tư số 30/2011/TT-BCT quy định tạm thời về giới hạn hàm lượng cho phép của một số hóa chất độc hại có trong các sản phẩm điện, điện tử"

Wireless Radio Use

This device is restricted to indoor use when operating in the 2.4GHz, 5GHz frequency band.

Cet appareil doit être utilisé à l'intérieur.

당해 무선설비는 운용중 전파혼신 가능성이 있음.

この製品は、周波数帯域 2.4GHz, 5GHz で動作しているときは、屋内においてのみ使用可能です。

NCC無線設備警告聲明

工作頻率2.4GHz, 5GHz該频段限於室內使用。

經型式認證合格之低功率射頻電機，非經許可，公司、商號或使用者均不得擅自變更頻率、加大功率或變更原設計之特性及功能。

低功率射頻電機之使用不得影響飛航安全及干擾合法通信；經發現有干擾現象時，應立即停用，並改善至無干擾時方得繼續使用。前項合法通信，指依電信法規定作業之無線電通信。低功率射頻電機須忍受合法通信或工業、科學及醫療用電波輻射性電機設備之干擾。

European Union Regulatory Notices

Declaration of Conformity

Products Sold Before 13 June 2017

Products bearing the CE marking comply with one or more of the following EU Directives as may be applicable:

R&TTE Directive 1999/5/EC; Low Voltage Directive 2014/35/EU; EMC Directive 2014/30/EU; RoHS Directive 2011/65/EU.

Compliance with these directives is assessed using applicable European Harmonized Standards.

The point of contact for regulatory matters is MSI, MSI-NL Eindhoven 5706 5692 ER Son.

Products Sold After 12 June 2017

Products bearing the CE marking comply with one or more of the following EU Directives as may be applicable:

RED 2014/53/EU; Low Voltage Directive 2014/35/EU; EMC Directive 2014/30/EU; RoHS Directive 2011/65/EU.


Compliance with these directives is assessed using applicable European Harmonized Standards.

The point of contact for regulatory matters is MSI, MSI-NL Eindhoven 5706 5692 ER Son.

Products with radio functionality (EMF)

This product incorporates a radio transmitting and receiving device. For computers in normal use, a separation distance of 20 cm ensures that radio frequency exposure levels comply with EU requirements. Products designed to be operated at closer proximities, such as tablet computers, comply with applicable EU requirements in typical operating positions. Products can be operated without maintaining a separation distance unless otherwise indicated in instructions specific to the product.


Restrictions for products with radio functionality

 **CAUTION:** IEEE 802.11x wireless LAN with 5.15–5.35 GHz frequency band is restricted for indoor use only in all European Union member states, EFTA (Iceland, Norway, Liechtenstein), and most other European countries (e.g., Switzerland, Turkey, Republic of Serbia). Using this WLAN application outdoors might lead to interference issues with existing radio services. **CAUTION:** Fixed outdoor installations for WiGig application (57–66 GHz frequency band) are excluded in all European Union member states, EFTA (Iceland, Norway, Liechtenstein), and other European countries (e.g., Switzerland, Turkey, Republic of Serbia).

Radio frequency bands and maximum power levels

Features	:802.11 a/b/g/n/ac, BT
Frequency Range	:2.4GHz, 5GHz
Modulation	:FHSS, DSSS, OFDM
Power Output	:10, 20, 23
Channel Band Width	:1, 5, 20, 40, 80MHz

产品中有害物质的名称及含量

部件名称	有害物质					
	铅 (Pb)	汞 (Hg)	镉 (Cd)	六价铬 (Cr(VI))	多溴联苯 (PBB)	多溴二苯醚 (PBDE)
印刷电路板组件*	×	○	○	○	○	○
电池** 	×	○	○	○	○	○
外部信号连接头	×	○	○	○	○	○
线材	×	○	○	○	○	○

本表格依据 SJ/T 11364 的规定编制。

○：表示该有害物质在该部件所有均质材料中的含量均在 GB/T 26572 规定的限量要求以下。

×：表示该有害物质至少在该部件的某一均质材料中的含量超出 GB/T 26572 规定的限量要求，但所有部件都符合欧盟 RoHS 要求。

* 印刷电路板组件：包括印刷电路板及其构成的零部件。

** 电池本体上如有环保使用期限标识，以本体标识为主。

■ 上述有毒有害物质或元素清单会依型号之部件差异而有所增减。

■ 产品部件本体上如有环保使用期限标识，以本体标识为主。

限用物質含有情況標示聲明書

單元	限用物質及其化學符號					
	鉛 (Pb)	汞 (Hg)	鎘 (Cd)	六價鉻 (Cr ^{VI})	多溴聯苯 (PBB)	多溴二苯醚 (PBDE)
電路板	○	○	○	○	○	○
電子元件	—	○	○	○	○	○
金屬機構件	—	○	○	○	○	○
塑膠機構件	○	○	○	○	○	○

備考 1. “超出 0.1 wt %” 及 “超出 0.01 wt %” 係指限用物質之百分比含量超出百分比含量基準值。

備考 2. “○” 係指該項限用物質之百分比含量未超出百分比含量基準值。

備考 3. “—” 係指該項限用物質為排除項目。

Copyright

msi Micro-Star Int'l Co., Ltd.
Copyright © 2017 All rights reserved.

The material in this document is the intellectual property of Micro-Star Int'l Co., Ltd. We take every care in the preparation of this document, but no guarantee is given as to the correctness of its contents. Our products are under continual improvement and we reserve the right to make changes without notice.

Technical Support

If a problem arises with your system and no solution can be obtained from the user guide, please contact your place of purchase or local distributor. Alternatively, please try the following help resources for further guidance.

- Visit the MSI website for technical guide, BIOS updates, driver updates, and other information: <http://www.msi.com>
- Register your product at: <http://register.msi.com>

Trademark Recognition

All product names used in this manual are the properties of their respective owners and are acknowledged.

Revision History

Europe Version 1.0, 2017/06, First release.
Europe Version 1.1, 2017/07, Update release.