



Lexmark CS727de



CS727de

Built-in solutions and high print speed for business-class productivity

At up to 38 pages per minute, the Lexmark CS727de colour laser printer delivers amazing productivity. With stunning and accurate colour printing, built-in business solutions, input capacity up to 2,300 sheets, PANTONE colour calibration, 10.9 cm colour e-Task touch screen, built-in business solutions, keypad and Gigabit networking, the CS727de packs a lot of high-end features into a compact space.

PANTONE® colour, quad-core processor

Lexmark colour-matching tools and PANTONE calibration deliver rich, consistent colour printing so you can save time and money by producing your colour documents and prints in-house.

Thanks to a 1.2 GHz quad-core processor, and generous 1GB of memory (expandable up to 3GB), even complex documents with graphics and images print quickly. The CS727de can deliver the first colour page in as little as 6.5 seconds.



Colour



Solutions



Up to 38 ppm



10.9 cm touch screen



Security



Network



Mobility



Duplex

Security. Confidential Print.

Extensive network security features and protocols protect your device, information and network from unauthorised access.

Keep your sensitive documents safe by enabling the Confidential Print feature, which requires entering a customised, unique PIN on the device's keypad before the document can be printed.

Compatible with leading mobile print platforms

Print from mobile devices using an optional Wi-Fi adapter or Lexmark's free Mobile Print app. The CS727de is AirPrint®-certified and includes support for iOS, Android and Microsoft® Windows Mobile printing. It is also Mopria®-certified and Google Cloud Print™ Ready.



4-year Guarantee

Given the choice, wouldn't you prefer to buy a device that protects your investment with a guarantee? The affordable CS727de is so well made, we back it with a guarantee that covers repair actions including the cost of spare parts if they are needed in the first four years*. The guarantee also offers you free 24-hour online support and access to technical support by phone during working hours.

*Offer applies if the product is registered within 90 days from the date of purchase. Supplies and/or consumable parts, such as fuser or transfer unit, are excluded. Please refer to the detailed terms and conditions available at lexmark.com/myguarantee

Large colour e-Task touch screen can be customised for each user

The e-Task interface transforms the CS727de into your own personal gateway to time-saving solutions, customised shortcuts and workflows.

Simply authenticate at the printer and you immediately see your own personalised 10.9 cm screen with all of the one-touch shortcuts you've created using your preferred settings

Monitor jobs and supplies on the touch screen or from a remote location via the CS727de's web interface.

Software solutions increase productivity and save money

Lexmark's Embedded Solutions Framework (eSF) allows the CS727de to load and run software solutions tailored to your specific need or industry, to avoid having to develop and host your own applications.

The CS727de runs a wide range of optional eSF applications created by Lexmark, its partners and customers to solve specific challenges. Simply select and load an eSF app and run it directly on the device, eliminating the need to manage server-based applications.

User-friendly

The CS727de is simple to install, easy to use and offers full compatibility with nearly every operating system and network, so you'll be up and running in minutes. It's built to last, so you'll easily be able to print up to 15,000 pages per month, thanks to our state-of-the-art paper handling technology and long-life consumables.

The Lexmark print system and Unison™ Toner ensure consistent print quality throughout the life of the cartridge to prevent wasted prints.

Lexmark's Mobile Print app for iOS and Android devices provides a simple and consistent user experience for printing from mobile devices. It features simple printer discovery and mobile print options.

A front USB port lets you print PDF and other image files directly from a USB key.

Eco-friendly

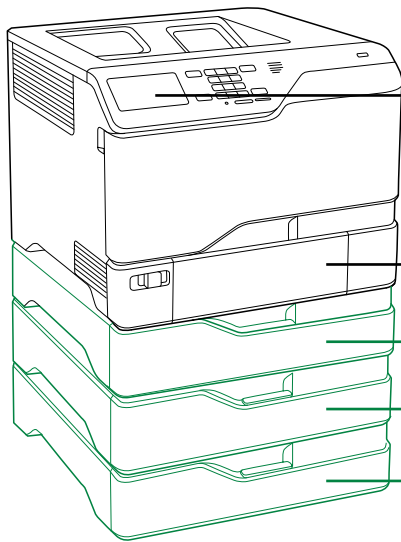
Built-in two-sided printing reduces paper use. The instant warm-up fuser saves energy and delivers the first printed page in as fast as 6.5 seconds. Select an energy-saving mode (Quiet, Hibernate or Eco) to automatically minimise noise and energy consumption.

Through the Lexmark Cartridge Collection Programme, Lexmark offers a free and easy way to return your empty cartridges for sustainable recycling or remanufacturing.

Product specifications		Lexmark CS727de
Printing		
Display	Lexmark e-Task 10.9 cm (4.3-inch) colour touch screen	
Print Speed: Up to ²	Black: 38 ppm / Colour: 38 ppm	
Time to First Page: As fast as / Time to First Page: as fast as	Black: 6.0 seconds / Colour: 6.5 seconds	
Print Resolution	Black: 4800 Colour Quality (2400 x 600 dpi), 1200 x 1200 dpi / Colour: 4800 Colour Quality (2400 x 600 dpi), 1200 x 1200 dpi	
Memory	standard: 1024 MB / maximum: 3072 MB	
Hard Disk	Option available	
Recommended Monthly Page Volume ⁸	1,500 - 15,000 Pages	
Maximum Monthly Duty Cycle: Up to ⁶	120,000 pages per month	
Supplies³		
Laser Cartridge Yields (up to) ¹	10,000-page Colour (CMY) Cartridges, 13,000-page Black Cartridge	
Imaging Unit Estimated Yield: Up to ⁴	150,000 pages, based on 3 average letter/A4-size pages per print job and ~ 5% coverage	
Cartridge(s) Shipping with Product ¹	3,000-page Black and Colour (CMYK) Return Program Toner Cartridges	
Paper Handling		
Included Paper Handling	300-Sheet Output Bin, Integrated Duplex, 100-Sheet Multipurpose Feeder, 550-Sheet Input	
Optional Paper Handling	550-Sheet Tray	
Paper Input Capacity: Up to	Standard: 650 pages 75 gsm bond / Maximum: 2,300 pages 75 gsm bond	
Paper Output Capacity: Up to	Standard: 300 pages 75 gsm bond / Maximum: 300 pages 75 gsm bond	
Media Types Supported	Banner Paper, Refer to the Card Stock & Label Guide., Vinyl Labels, Plain Paper, Paper Labels, Envelopes, Card Stock	
Media Sizes Supported	A6, Oficio, Universal, Statement, Letter, Legal, JIS-B5, Folio, Executive, DL Envelope, C5 Envelope, B5 Envelope, A5, A4, 9 Envelope, 7 3/4 Envelope, 10 Envelope	
General Information⁷		
Standard Ports	Rear Hi-Speed USB port Compatible with USB 2.0 Specification (Type A), Front USB 2.0 Specification Hi-Speed Certified port (Type A), Gigabit Ethernet (10/100/1000), USB 2.0 Specification Hi-Speed Certified (Type B), One Internal Card Slot	
Optional Network Ports	Internal MarkNet N8360 802.11b/g/n Wireless, NFC	
Noise Level: Operating	Print: 51 dBA	
Specified Operating Environment	Altitude: 0 - 2896 Meters (9,500 Feet), Temperature: 10 to 32°C, Humidity: 15 to 80% Relative Humidity	
Product Guarantee ⁵	4-Year Guarantee - Upon Registration Only	
Size (mm - H x W x D) / Weight	417 x 475 x 499 mm / 36.3 kg	
Part Number	40CC150	

¹Average continuous black or continuous composite CMY declared cartridge yield up to this number of standard pages in accordance with ISO/IEC 19798. ²Print and copy speeds measured in accordance with ISO/IEC 24734 and ISO/IEC 24735 respectively (ESAT). For more information see: www.lexmark.com/ISOspeeds. ³Product functions only with replacement cartridges designed for use in a specific geographical region. See www.lexmark.com/regions for more details. ⁴Actual Yield may vary based on other factors such as device speed, paper size and feed orientation, toner coverage, tray source, percentage of black-only printing and average print job complexity. ⁵Offer applies if the product is registered within 90 days from the date of purchase. Supplies and/or consumable parts, such as fuser or transfer unit, are excluded. Please refer to the detailed terms and conditions available at lexmark.com/myguarantee. ⁶"Maximum Monthly Duty Cycle" is defined as the maximum number of pages a device could deliver in a month using a multishift operation. This metric provides a comparison of robustness in relation to other Lexmark printers and MFPs. ⁷Printers are sold subject to certain license/agreement conditions. See www.lexmark.com/printerlicense for details. ⁸"Recommended Monthly Page Volume" is a range of pages that helps customers evaluate Lexmark's product offerings based on the average number of pages customers plan to print on the device each month. Lexmark recommends that the number of pages per month be within the stated range for optimum device performance, based on factors including: supplies replacement intervals, paper loading intervals, speed, and typical customer usage.

Colour laser printer



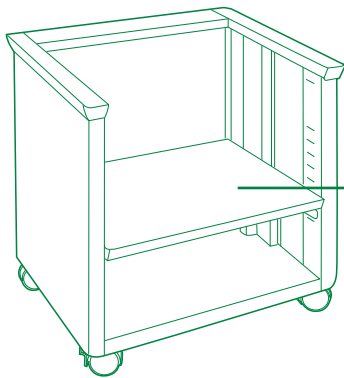
10.9 cm Colour Touch Screen

550-Sheet Input with 100-Sheet Multi-purpose Feeder

550-Sheet Tray

550-Sheet Tray

550-Sheet Tray



Adjustable Printer Stand

■ Standard
■ Optional