



SCETADW3535

EL. HEIGHT ADJUSTABLE SYSTEM FOR WALL MOUNTING

Factory:

Conen Produkte GmbH & Co. KG
Conenstr. 4
54497 Morbach – Gonzerath
Germany

International sales department:

Mr. Luc van der Sterren
Office: +49 65 33 75 311
Cell: +31 612 495 098
Email: Luc@conenmounts.com

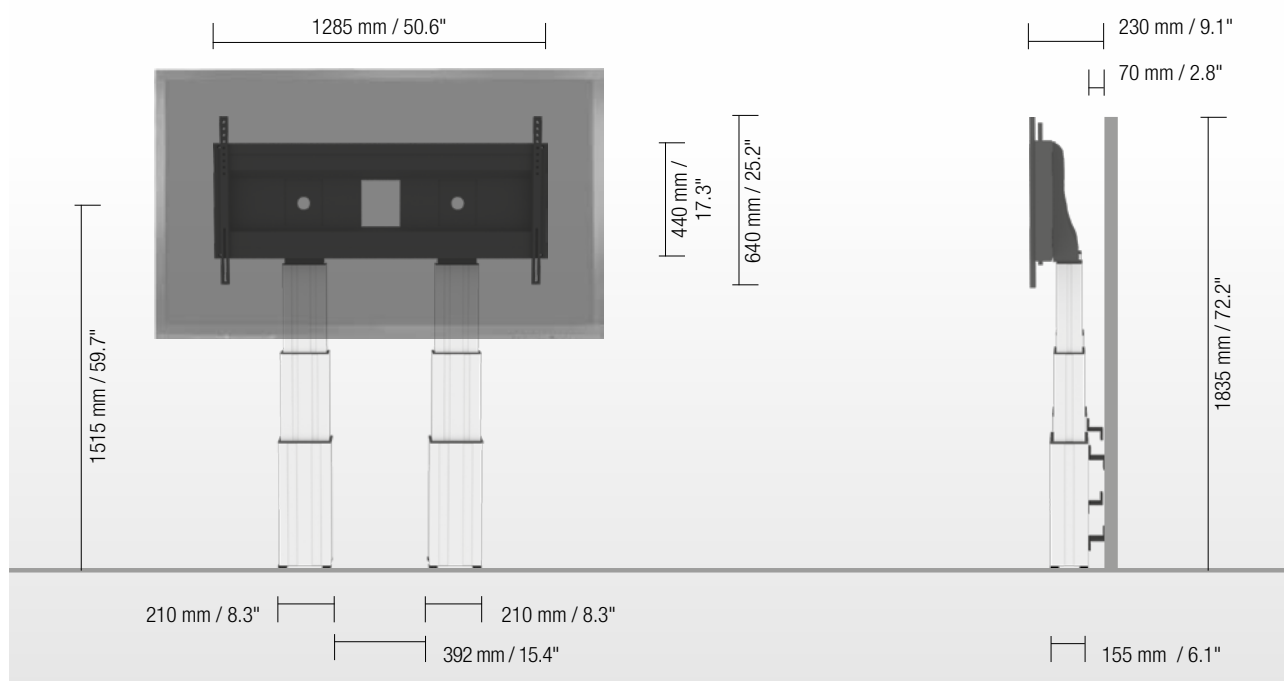
Mr. Arnaud Gielen
Office: +49 6533 75 310
Cell: +49 172 655 84 61
Email: Arnaud@conenmounts.com



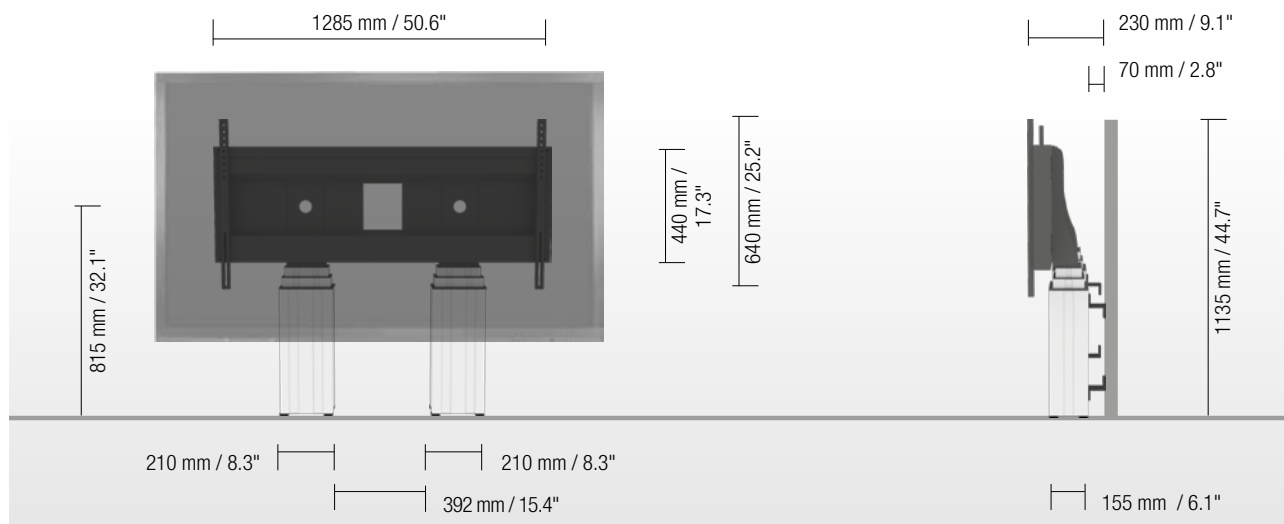
PRODUCT FEATURES

- ◆ 2 electrical height adjustable columns, natural anodized
- ◆ 700 mm / 27.6" height adjustment
- ◆ System suitable for wall mounting on massive walls, wall clearance by default 70 mm / 2.8", 4 leveling feet
- ◆ XL-display mount for use with 70" – 120" display
- ◆ VESA 300 x 200 up to 1200 x 600
- ◆ maximum load approximately 250 kg / 551.2 lbs
- ◆ incl. wall brackets (70 mm / 2.8")

HIGHEST POSITION



LOWEST POSITION



DETAIL VIEWS



Pull & release locking brackets for easier mounting of display

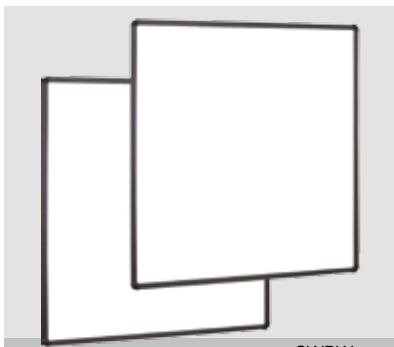


Leveling feet



Wired remote control

AVAILABLE ACCESSORIES



SWBW-..

2 whiteboard side wings



LAP4-..

Side shelf



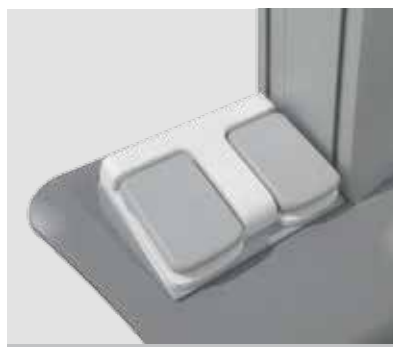
MINI-FUJI

Lockable mini PC bracket



VCTSCETA

Video conference camera top shelf



REM-FOOT

Foot remote control



CCEL-EXT20

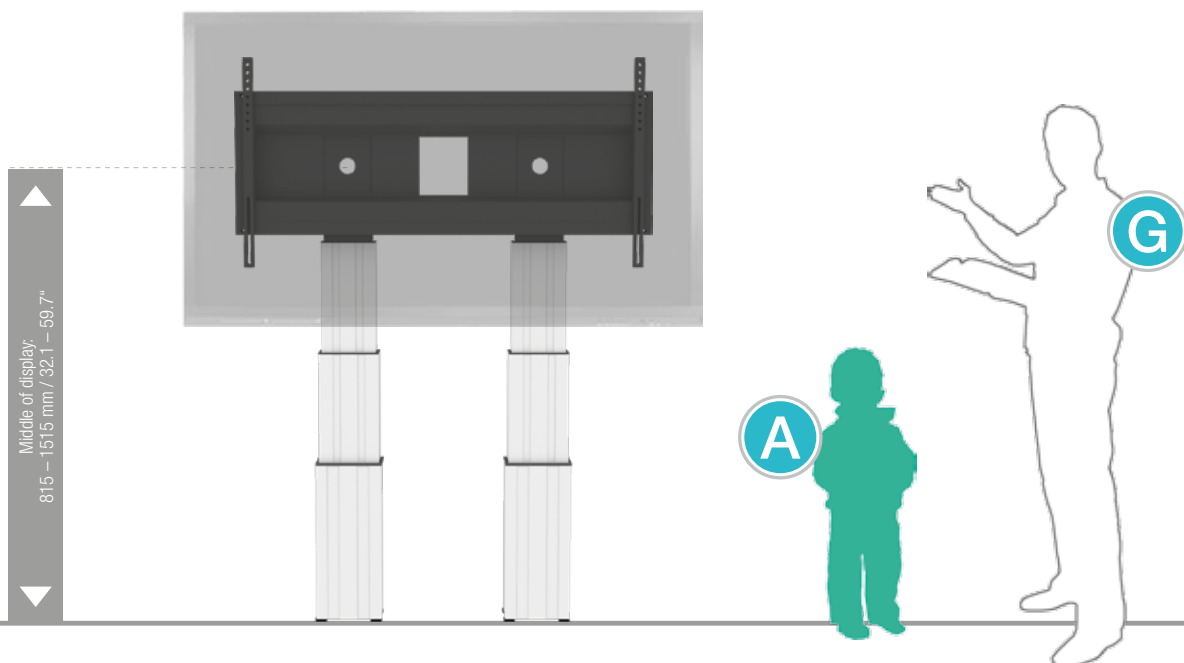
Extender (200 mm / 7.9")



SCHLIESS-VH

Display securing padlock

SIZE INDEX



Department	Kindergarten			Primary school			Adults
	Kindergarten			Secondary school			
Silhouette	A	B	C	D	E	F	G
Age (years)	2 – 3	3 – 4	4 – 7	6 – 11	11 – 14	13 – 16	from 16
Body size (mm / ")	930 – 980 37 – 38.6	1080 – 1210 42.5 – 47.6	1190 – 1420 46.9 – 56	1330 – 1590 52.4 – 62.6	1460 – 1765 57.5 – 69.5	1590 – 1880 62.6 – 74	1740 – 2070 68.5 – 81.5
Color							

PACKING UNITS

Part. no.	Description	Packing dimensions (mm / ")	Net weight (kg / lbs)	Gross weight (kg / lbs)
CCE3535WD	2 x electrical height adjustable column, 2 x 350 mm / 13.8" height adjustment, L = 585 mm / 23"	2 x 760 x 270 x 220 / 29.9 x 10.6 x 8.7	2 x 21,2 / 46.7	2 x 24 / 52.9
AFSCETAND	XL-display mount	1295 x 160 x 450 / 51 x 6.3 x 17.7	15 / 33.1	18 / 39.7
Total weight			57,4 / 126.6	66 / 145.5