



## SCETADW

EL. HEIGHT ADJUSTABLE SYSTEM FOR WALL MOUNTING

Conen Produkte GmbH & Co. KG  
Conenstr. 4  
54497 Morbach-Gonzerath  
  
Germany

Tel.: +49 (0) 6533 75 - 203/ - 300  
Fax: +49 (0) 6533 75 - 600  
eMail: [info@conen-interaktiv.de](mailto:info@conen-interaktiv.de)

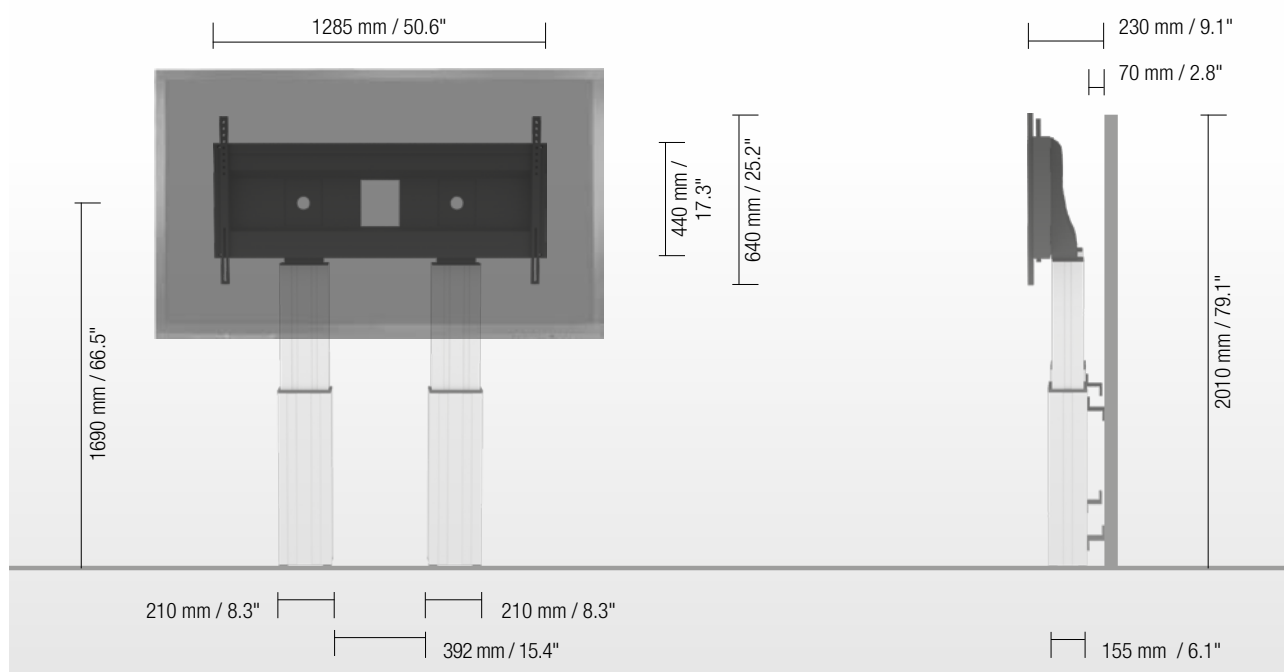
[www.conen-interaktiv.de](http://www.conen-interaktiv.de)



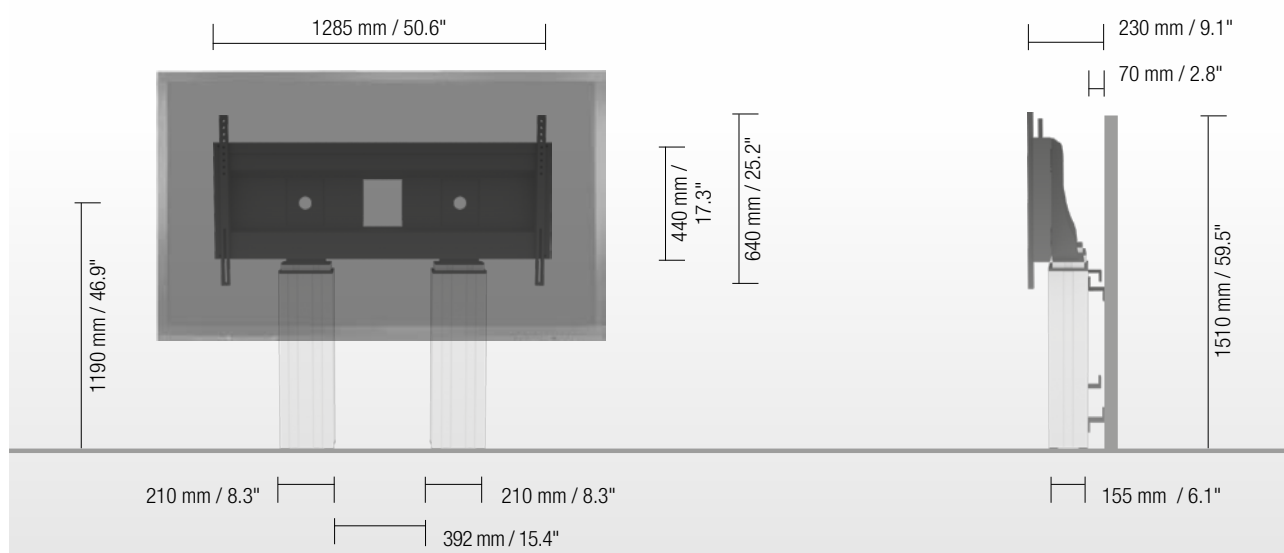
### PRODUCT FEATURES

- ◆ 2 electrical height adjustable columns, natural anodized
- ◆ 500 mm / 19.7" height adjustment
- ◆ System suitable for wall mounting on massive walls, wall clearance by default 70 mm / 2.8", 4 leveling feet
- ◆ XL-display mount for use with 70" – 120" display
- ◆ VESA 300 x 200 up to 1200 x 600
- ◆ Maximum load approximately 250 kg / 551.2 lbs
- ◆ Incl. wall brackets (70 mm / 2.8")

### HIGHEST POSITION



### LOWEST POSITION



DETAIL VIEWS



Pull & release locking brackets for easier mounting of display

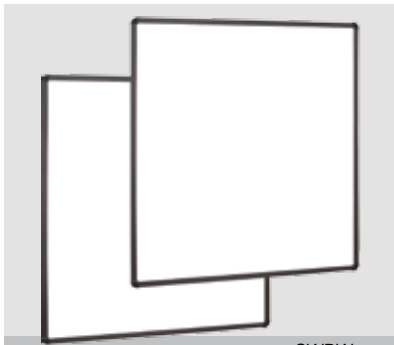


Leveling feet



Wired remote control

AVAILABLE ACCESSORIES



SWBW-..

2 whiteboard side wings



LAP4-..

Side shelf



MINI-FUJI

Lockable mini PC bracket



VCTSCETA

Video conference camera top shelf



REM-FOOT

Foot remote control



CCE-EXT20

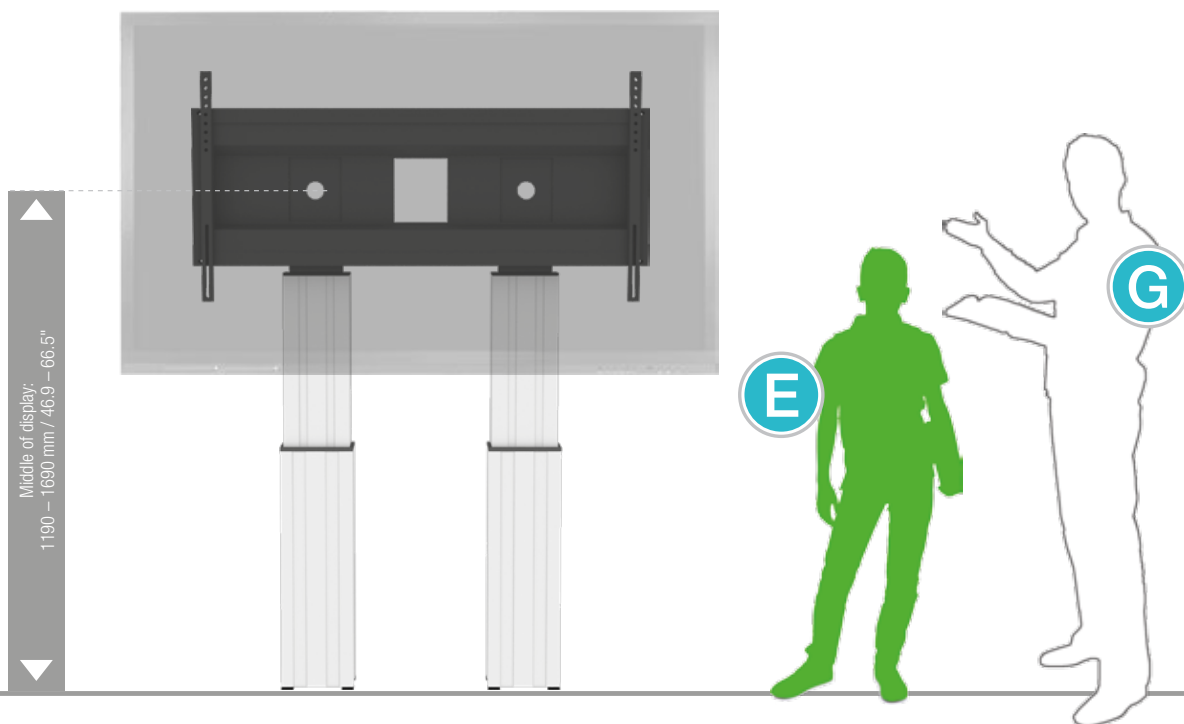
Extender (200 mm / 7.9")



SCHLIESS-VH

Display securing padlock

SIZE INDEX



Department	Kindergarten			Primary school		Secondary school		Adults
	A	B	C	D	E	F	G	
Silhouette								
Age (years)	2 – 3	3 – 4	4 – 7	6 – 11	11 – 14	13 – 16	from 16	
Body size (mm / ")	930 – 980 37 – 38.6	1080 – 1210 42.5 – 47.6	1190 – 1420 46.9 – 56	1330 – 1590 52.4 – 62.6	1460 – 1765 57.5 – 69.5	1590 – 1880 62.6 – 74	1740 – 2070 68.5 – 81.5	
Color								

PACKING UNITS

Item no.	Description	Packing dimensions (mm / ")	Net weight (kg / lbs)	Gross weight (kg / lbs)
CCE70-WD	2 x electrical height adjustable column, 500 mm / 19.7" height adjustment, L = 900 mm / 35.4"	2 x 1180 x 270 x 200 / 46.5 x 10.6 x 7.9	2 x 21 / 46.3	2 x 23,1 / 50.9
AFSCETAND	XL-display mount	1295 x 160 x 450 / 51 x 6.3 x 17.7	15 / 33.1	18 / 39.7
Total weight			57 / 125.7	64,2 / 141.5