

SCETADG3535B

EL. HEIGHT ADJUSTABLE SYSTEM WITH H-MOBILE STAND

Factory:

Conen Produkte GmbH & Co. KG
Conenstr. 4
54497 Morbach-Gonzerath
Germany

International sales department:

Mr. Luc van der Sterren
Office: +49 65 33 75 311
Cell: +31 612 495 098
Email: Luc@conenmounts.com

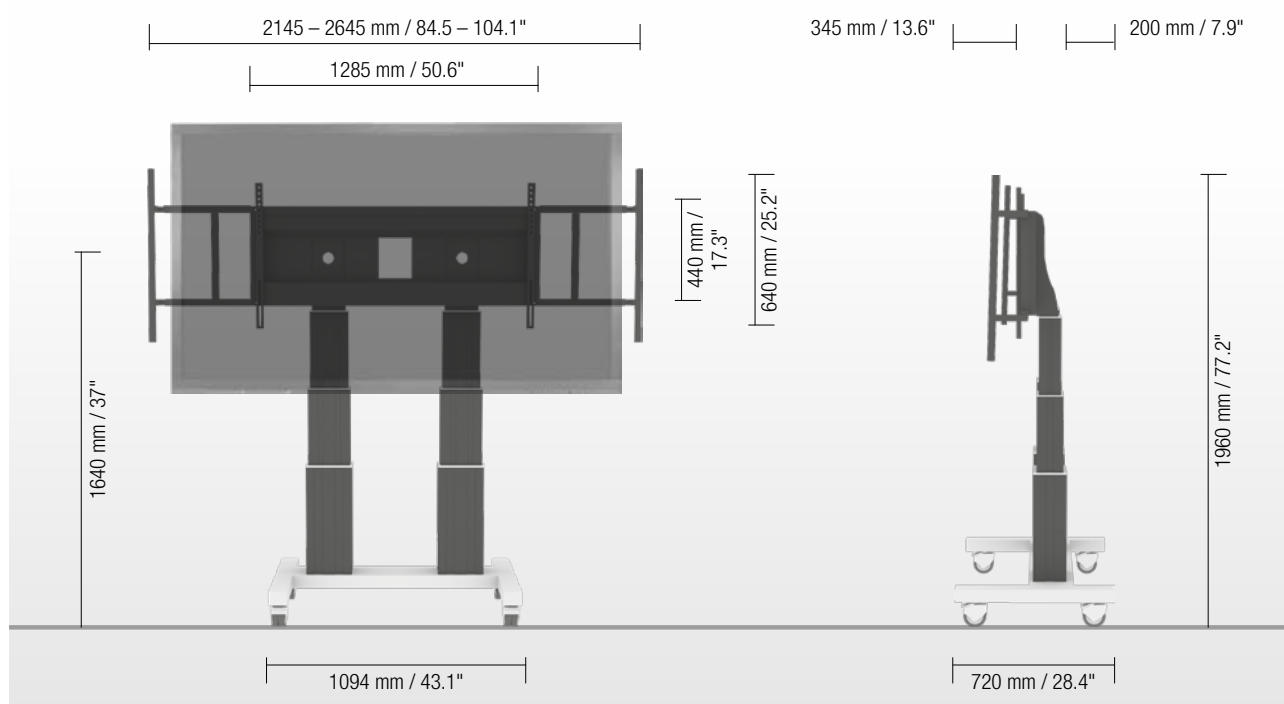
Mr. Arnaud Gielen
Office: +49 6533 75 310
Cell: +49 172 655 84 61
Email: Arnaud@conenmounts.com



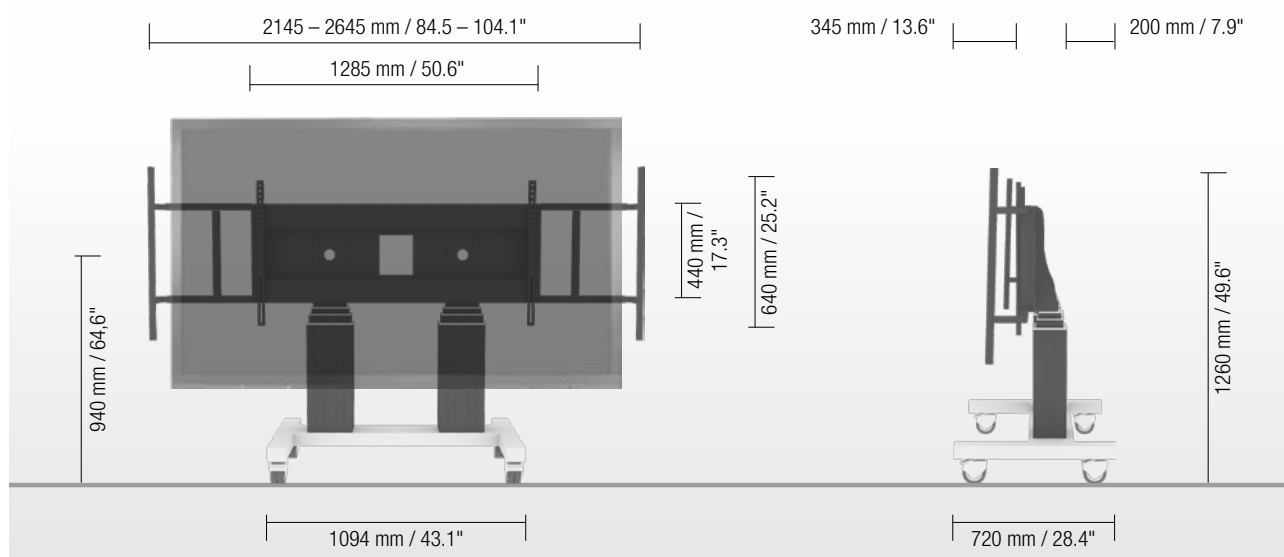
PRODUCT FEATURES

- ◆ 2 electrical height adjustable columns, black anodized
- ◆ 700 mm / 27.6" height adjustment
- ◆ H-shaped mobile stand with four heavy duty castors – two with brakes, RAL 9006 white aluminum
- ◆ XL-display mount for use with 70" – 120" display
- ◆ VESA 300 x 200 up to 1200 x 600
- ◆ Maximum load approximately 250 kg / 551.2 lbs
- ◆ 2 ergonomic handles

HIGHEST POSITION



LOWEST POSITION



DETAIL VIEWS



Pull & release locking brackets for easier mounting of display



Smooth running & lockable castors



Wired remote control



2 Handles

AVAILABLE ACCESSORIES



LAP4-..

Side shelf



MINI-FUJI

Lockable mini PC bracket



LAP-CAB

Lockable notebook cabinet



VCTSCETA

Video conference camera top shelf



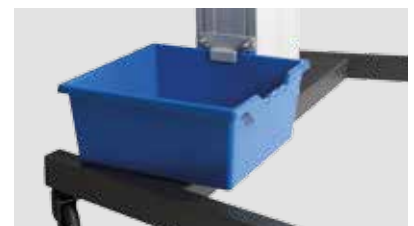
CCEL-EXT20

Extender (200 mm / 7.9")



LOCKSCETA

Lockable wall bracket



SCETA-ETH (C2-HB)

2 box holders (boxes on request)



AFSCETASH

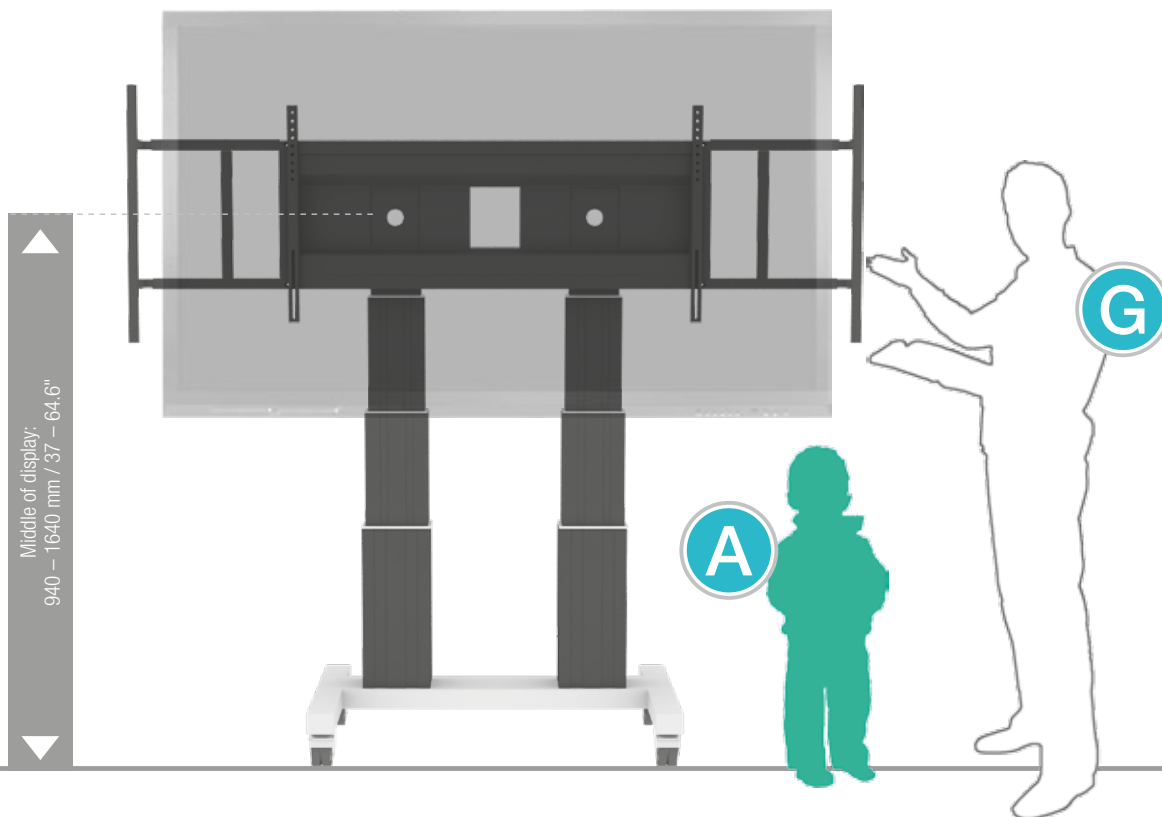
Rotating laptop shelf



SCHLIESS-VH

Display securing padlock

SIZE INDEX



Department	Primary school				Adults		
	Kindergarten		Secondary school				
Silhouette	A	B	C	D	E	F	G
Age (years)	2 – 3	3 – 4	4 – 7	6 – 11	11 – 14	13 – 16	from 16
Body size (mm / ")	930 – 980 37 – 38.6	1080 – 1210 42.5 – 47.6	1190 – 1420 46.9 – 56	1330 – 1590 52.4 – 62.6	1460 – 1765 57.5 – 69.5	1590 – 1880 62.6 – 74	1740 – 2070 68.5 – 81.5
Color							

PACKING UNITS

Item no.	Description	Packing dimensions (mm / ")	Net weight (kg / lbs)	Gross weight (kg / lbs)
CCE3535B	2 x electrical height adjustable column, 2 x 350 mm / 13.8" height adjustment, L = 585 mm / 23"	2 x 760 x 270 x 220 / 29.9 x 10.6 x 8.7	2 x 21,2 / 46.7	2 x 24 / 52.9
AFSCETAN12	XL-display mount	1295 x 160 x 450 / 51 x 6.3 x 17.7	15 / 33.1	18 / 39.7
GRIFF-SCETA	2 ergonomic handles	920 x 530 x 190 / 36.2 x 20.9 x 7.5	5,4 / 11.9	15,3 / 33.7
MSTSCETAX2	H-shaped mobile stand	1140 x 780 x 150 / 44.9 x 30.7 x 5.9	20,7 / 45.6	24,2 / 53.4
Total weight			83,5 / 184	105,5 / 232.6