



## SCETADGB

EL. HÖHENVERSTELLBARES SYSTEM MIT H-FAHRGESTELL  
EL. HEIGHT ADJUSTABLE SYSTEM WITH H-MOBILE STAND

**Factory:**

Conen Produkte GmbH & Co. KG  
Conenstr. 4  
54497 Morbach-Gonzerath  
Germany

**International sales department:**

Mr. Luc van der Sterren  
Office: +49 65 33 75 311  
Cell: +31 612 495 098  
Email: [Luc@conenmounts.com](mailto:Luc@conenmounts.com)

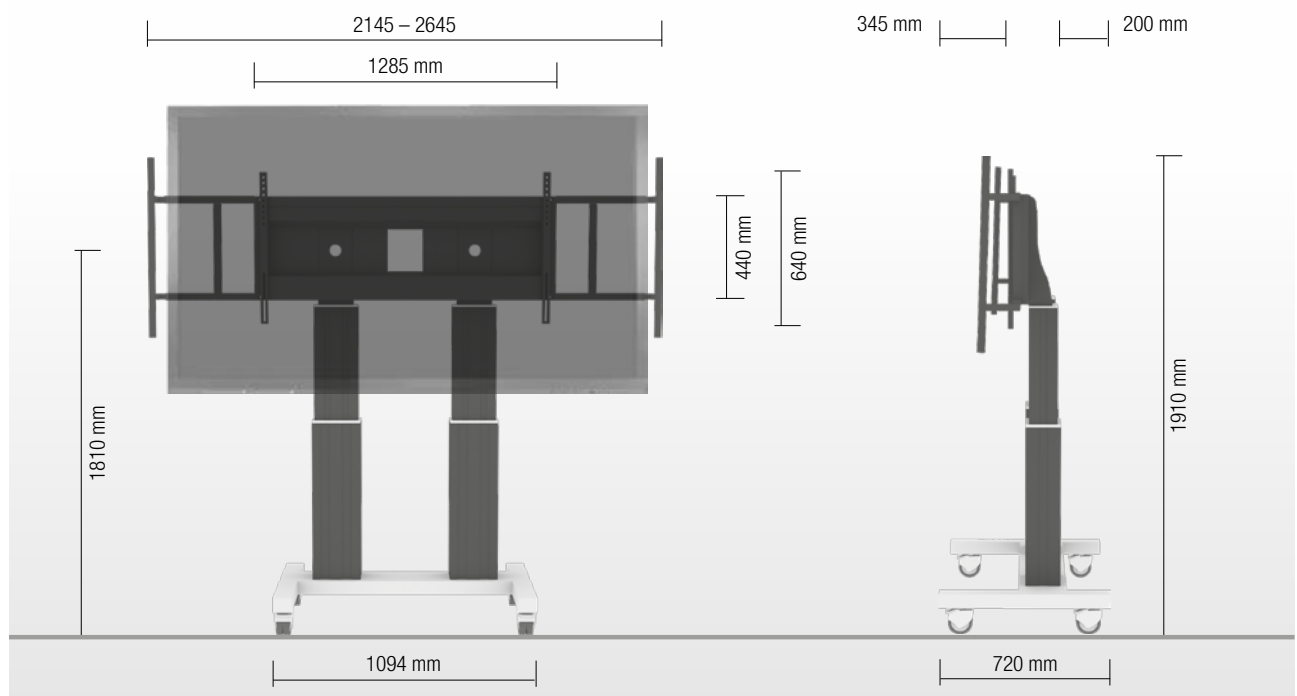
Mr. Arnaud Gielen  
Office: +49 6533 75 310  
Cell: +49 172 655 84 61  
Email: [Arnaud@conenmounts.com](mailto:Arnaud@conenmounts.com)



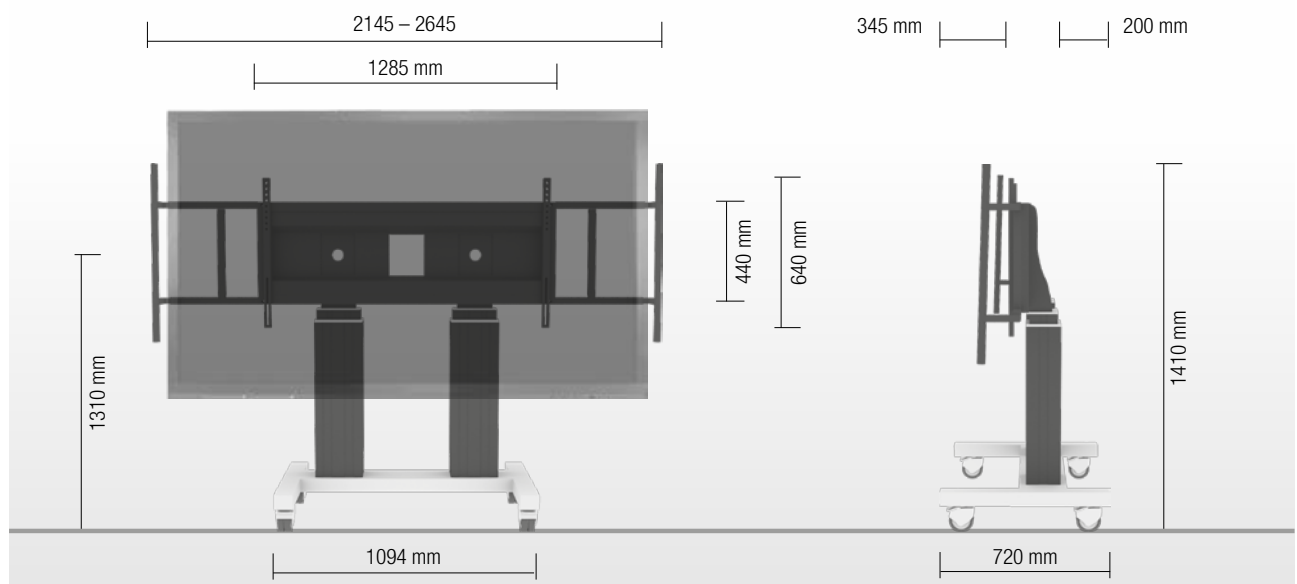
PRODUKTEIGENSCHAFTEN | PRODUCT FEATURES

- ◆ 2 elektrisch höhenverstellbare Pylonen, schwarz eloxiert
  - ◆ 500 mm Hub
  - ◆ Mobiles H-Fahrgestell mit vier Schwerlastrollen, davon zwei mit Feststellbremse, RAL 9006 Weißaluminium
  - ◆ XL-Halterung zur Verwendung mit 70" – 120" Display
  - ◆ VESA 300 x 200 bis 1200 x 600
  - ◆ Maximale Belastung ca. 250 kg
  - ◆ 2 ergonomische Griffe
- ◆ 2 electrical height adjustable columns, black anodized
  - ◆ 500 mm height adjustment
  - ◆ H-shaped mobile stand with four heavy duty castors – two with brakes, RAL 9006 white aluminum
  - ◆ XL-display mount for use with 70" – 120" display
  - ◆ VESA 300 x 200 up to 1200 x 600
  - ◆ Maximum load approximately 250 kg
  - ◆ 2 ergonomic handles

HÖCHSTE STELLUNG | HIGHEST POSITION



NIEDRIGSTE STELLUNG | LOWEST POSITION



DETAILANSICHTEN | DETAIL VIEWS



Schnappklammern erleichtern die Montage  
Pull & release locking brackets for easier mounting of display



Leichtlaufende, feststellbare Rollen  
Smooth running & lockable castors

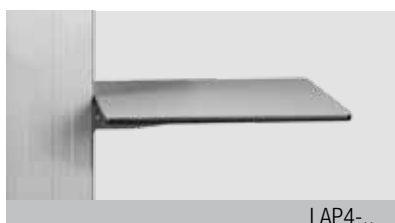


Elektrische Höhenverstellung  
Wired remote control



2 Griffe  
2 Handles

WÄHLBARES ZUBEHÖR | AVAILABLE ACCESSORIES



Seitentisch  
Side shelf



Abschließbare Mini-PC Halterung  
Lockable mini PC bracket



Verschließbarer Notebookschrank  
Lockable notebook cabinet



Halter für Videokonferenzkameras  
Video conference camera top shelf



Verlängerung (200 mm)  
Extender (200 mm)



2 Boxenhalter (Boxen auf Anfrage)  
2 box holders (boxes on request)



Schwenkbarer Laptoptisch  
Rotating laptop shelf



Display Sicherheitsschloss  
Display securing padlock

**GRÖßENINDEX | SIZE INDEX**

Bereich   Department	Kindergarten				Grundschule Primary school	Weiterführende Schule Secondary school		Erwachsene Adults
	<b>A</b>	<b>B</b>	<b>C</b>	<b>D</b>	<b>E</b>	<b>F</b>	<b>G</b>	
Silhouette   Silhouette	<b>A</b>	<b>B</b>	<b>C</b>	<b>D</b>	<b>E</b>	<b>F</b>	<b>G</b>	
Alter (Jahre)   Age (years)	2 – 3	3 – 4	4 – 7	6 – 11	11 – 14	13 – 16	ab   from 16	
Körpergröße   Body size (mm)	930 – 980	1080 – 1210	1190 – 1420	1330 – 1590	1460 – 1765	1590 – 1880	1740 – 2070	
Farbe   Colour	Green	Purple	Yellow	Red	Light Green	Blue	White	

**PACKEINHEITEN | PACKING UNITS**

Artikel-Nr. Item no.	Beschreibung   Description	Packmaße Packing dimensions (mm)	Nettogewicht Net weight (kg)	Bruttogewicht Gross weight (kg)
CCE-50DB	2 x elektrisch höhenverstellbare Pylone, 500 mm Hub, L = 700 mm 2 x electrical height adjustable column, 500 mm height adjustment, L = 700 mm	2 x 970 x 270 x 220	2 x 18	2 x 19,5
AFSCETAN12	XL-Display Halterung   XL-display mount	1295 x 160 x 450	15	18
GRIF-SCETA	2 ergonomische Griffe   2 ergonomic handles	920 x 530 x 190	5,4	15,3
MSTSCETAX2	H-Fahrgestell   H-shaped mobile stand	1140 x 780 x 150	20,7	24,2
Gesamtgewicht   Total weight			77,1	96,5



## SCETADGB

EL. HEIGHT ADJUSTABLE SYSTEM WITH H-MOBILE STAND

**Factory:**

Conen Produkte GmbH & Co. KG  
Conenstr. 4  
54497 Morbach-Gonzerath  
Germany

**International sales department:**

Mr. Luc van der Sterren  
Office: +49 65 33 75 311  
Cell: +31 612 495 098  
Email: [Luc@conenmounts.com](mailto:Luc@conenmounts.com)

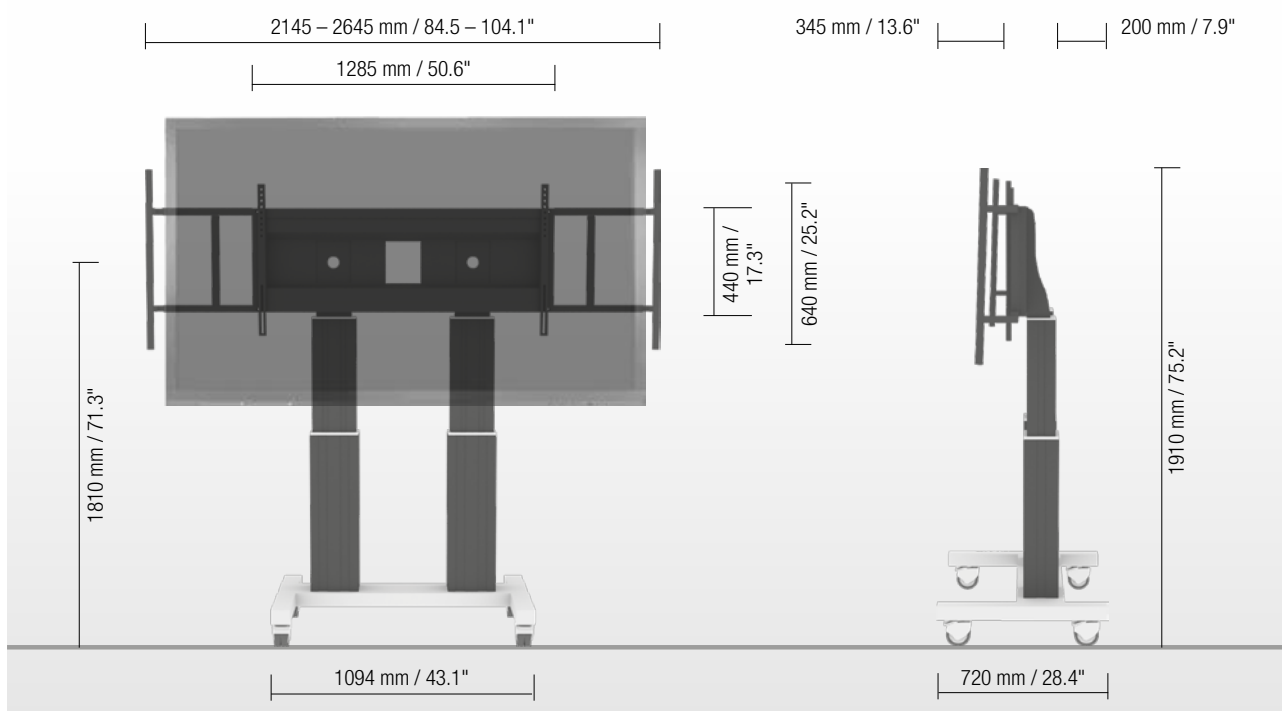
Mr. Arnaud Gielen  
Office: +49 6533 75 310  
Cell: +49 172 655 84 61  
Email: [Arnaud@conenmounts.com](mailto:Arnaud@conenmounts.com)



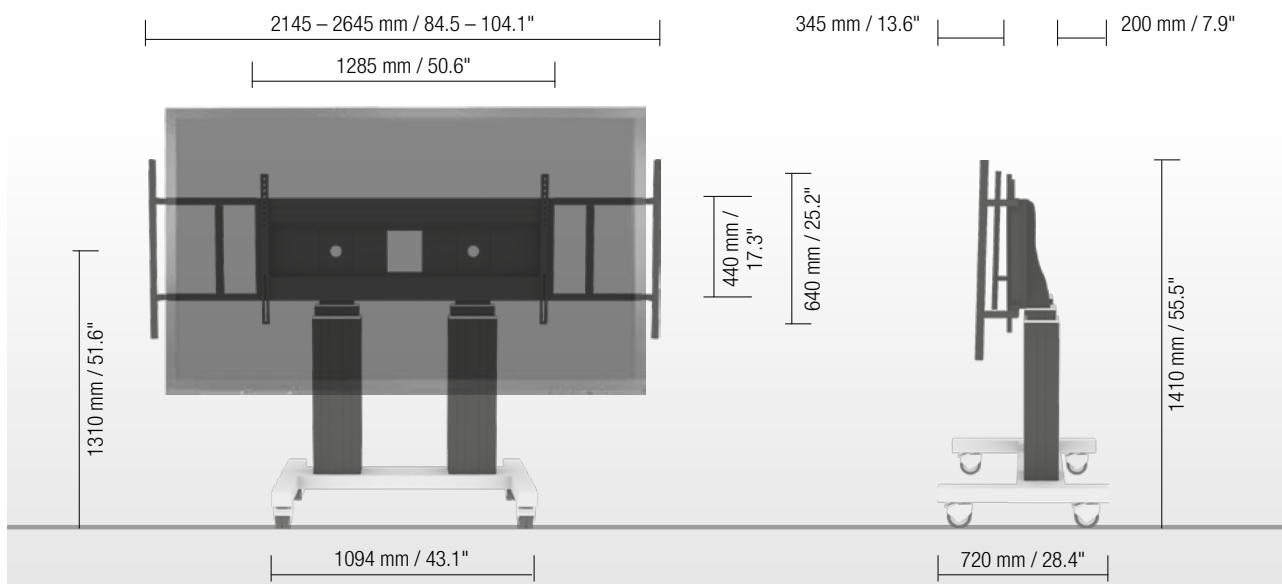
PRODUCT FEATURES

- ◆ 2 electrical height adjustable columns, black anodized
- ◆ 500 mm / 19.7" height adjustment
- ◆ H-shaped mobile stand with four heavy duty castors – two with brakes, RAL 9006 white aluminum
- ◆ XL-display mount for use with 70" – 120" display
- ◆ VESA 300 x 200 up to 1200 x 600
- ◆ Maximum load approximately 250 kg / 551.2 lbs
- ◆ 2 ergonomic handles

HIGHEST POSITION



LOWEST POSITION



DETAIL VIEWS



Pull & release locking brackets for easier mounting of display



Smooth running & lockable castors



Wired remote control



2 Handles

AVAILABLE ACCESSORIES



Side shelf

LAP4-..



Lockable mini PC bracket

MINI-FUJI



Lockable notebook cabinet

LAP-CAB



Video conference camera top shelf

VCTSCETA



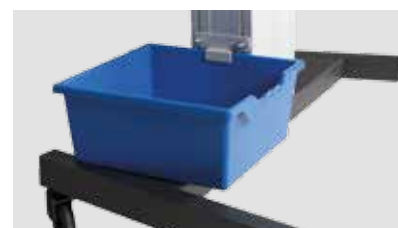
Extender (200 mm / 7.9")

CCE-EXT20



Lockable wall bracket

LOCKSCETA



2 box holders (boxes on request)

SCETA-ETH (C2-HB)



Rotating laptop shelf

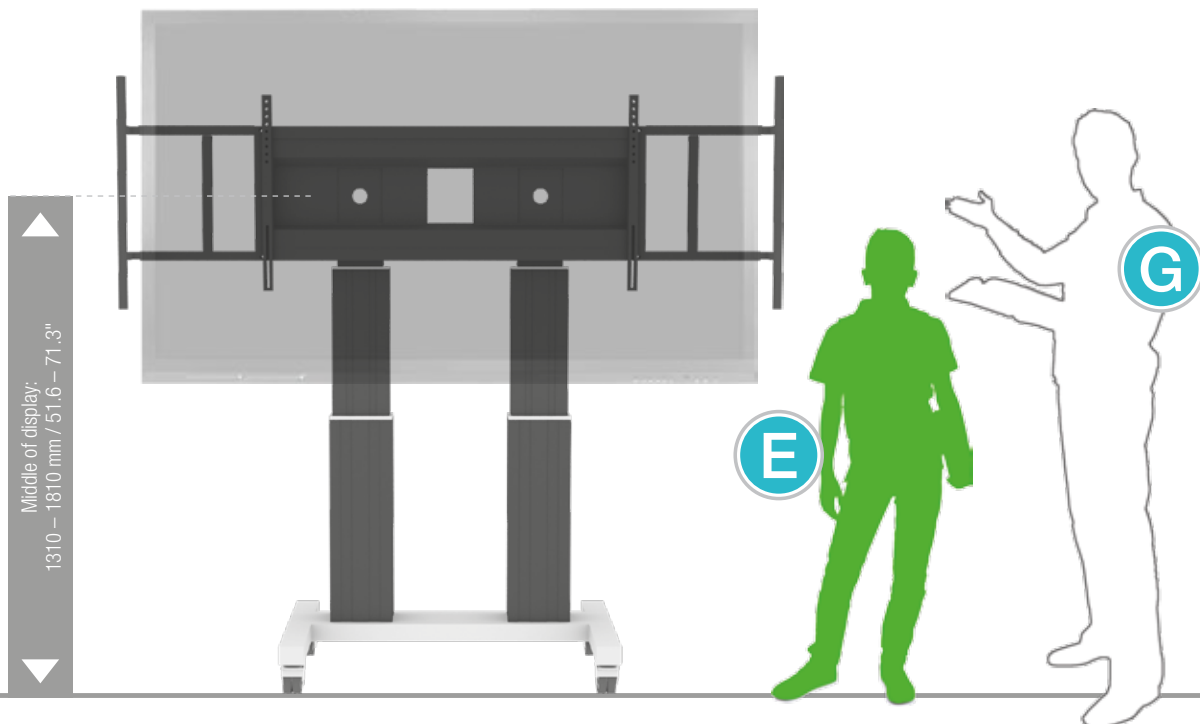
AFSCETASH



Display securing padlock

SCHLIESS-VH

SIZE INDEX



Department	Kindergarten				Primary school		Secondary school		Adults
	A	B	C	D	E	F	G		
Silhouette									
Age (years)	2 - 3	3 - 4	4 - 7	6 - 11	11 - 14	13 - 16	from 16		
Body size (mm / ")	930 - 980 37 - 38.6	1080 - 1210 42.5 - 47.6	1190 - 1420 46.9 - 56	1330 - 1590 52.4 - 62.6	1460 - 1765 57.5 - 69.5	1590 - 1880 62.6 - 74	1740 - 2070 68.5 - 81.5		
Color									

PACKING UNITS

Item no.	Description	Packing dimensions (mm / ")	Net weight (kg / lbs)	Gross weight (kg / lbs)
CCE-50DB	2 x electrical height adjustable column, 500 mm / 19.7" height adjustment, L = 700 mm / 27.6"	2 x 970 x 270 x 220 / 38.2 x 10.6 x 8.7	2 x 18 / 39.7	2 x 19,5 / 43
AFSCETAN12	XL-display mount	1295 x 160 x 450 / 51 x 6.3 x 17.7	15 / 33.1	18 / 39.7
GRIFF-SCETA	2 ergonomic handles	920 x 530 x 190 / 36.2 x 20.9 x 7.5	5,4 / 11.9	15,3 / 33.7
MSTSCETAX2	H-shaped mobile stand	1140 x 780 x 150 / 44.9 x 30.7 x 5.9	20,7 / 45.6	24,2 / 53.4
Total weight			77,1 / 170	96,5 / 212.8