



SCETADP

EL. HEIGHT ADJUSTABLE SYSTEM WITH FLOOR PLATE

Factory:

Conen Produkte GmbH & Co. KG
Conenstr. 4
54497 Morbach-Gonzerath
Germany

International sales department:

Mr. Luc van der Sterren
Office: +49 65 33 75 311
Cell: +31 612 495 098
Email: Luc@conenmounts.com

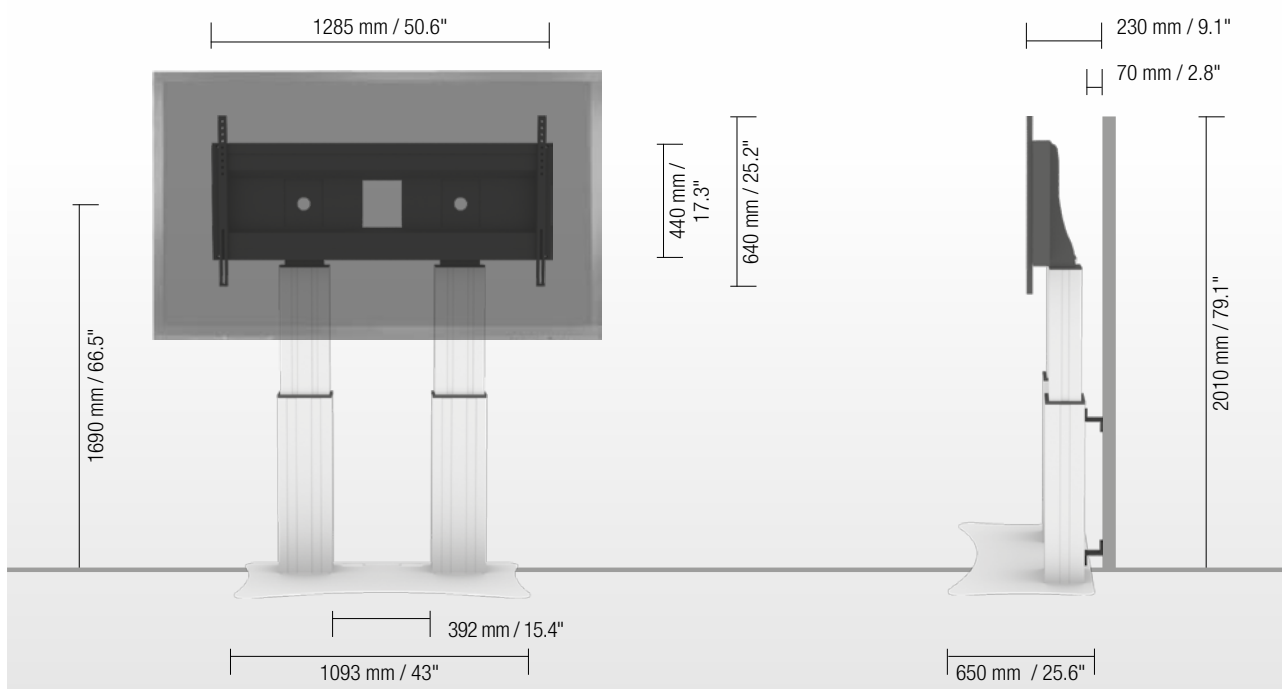
Mr. Arnaud Gielen
Office: +49 6533 75 310
Cell: +49 172 655 84 61
Email: Arnaud@conenmounts.com



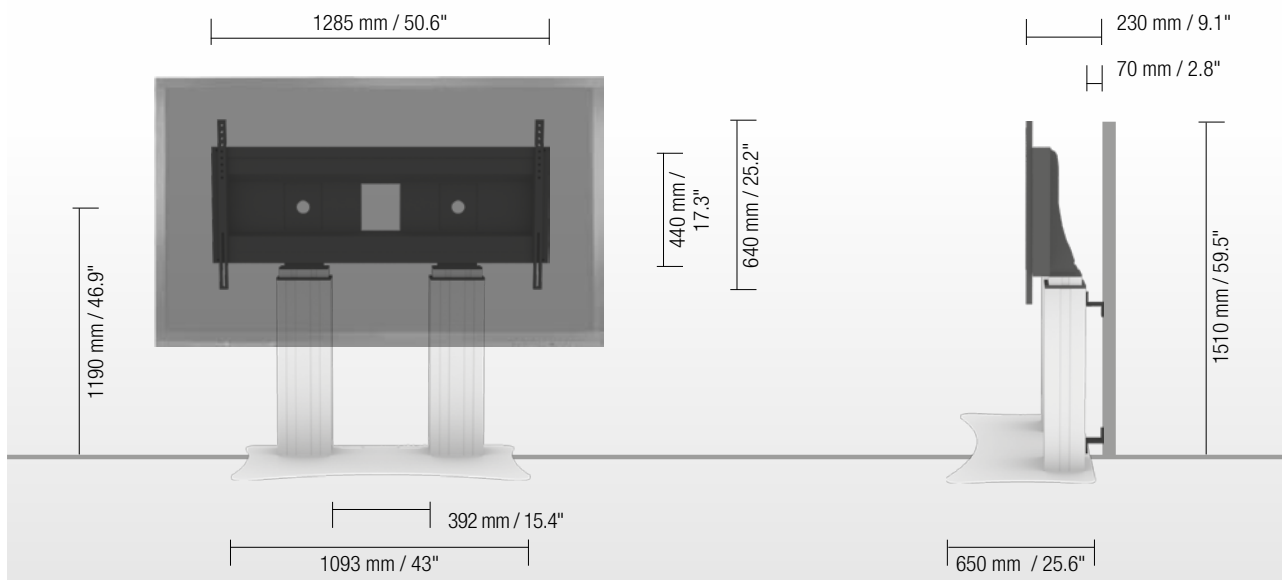
PRODUCT FEATURES

- ◆ 2 electrical height adjustable columns, natural anodized
- ◆ 500 mm / 19.7" height adjustment
- ◆ XL-floor plate made of 8 mm / 0.3" strong steel, powder-coated, RAL 9006 white aluminum
- ◆ XL-display mount for use with 70" – 120" display
- ◆ VESA 300 x 200 up to 1200 x 600
- ◆ Maximum load approximately 250 kg / 551.2 lbs
- ◆ Incl. wall brackets (70 mm / 2.8")

HIGHEST POSITION



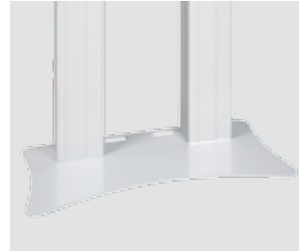
LOWEST POSITION



DETAIL VIEWS



Pull & release locking brackets for easier mounting of display

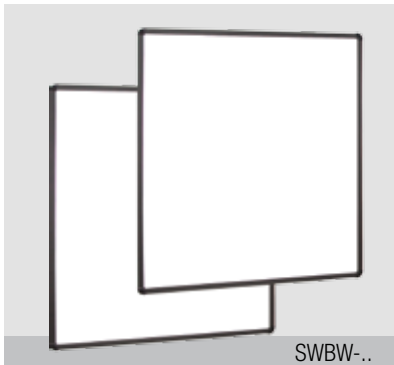


XL-floor plate



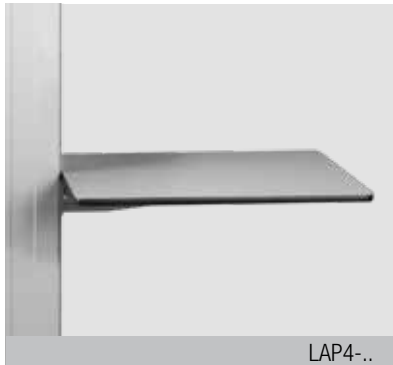
Wired remote control

AVAILABLE ACCESSORIES



2 whiteboard side wings

SWBW-..



Side shelf

LAP4-..



Lockable mini PC bracket

MINI-FUJI



Video conference camera top shelf

VCTSCETA



Foot remote control

REM-FOOT



Extender (200 mm / 7.9")

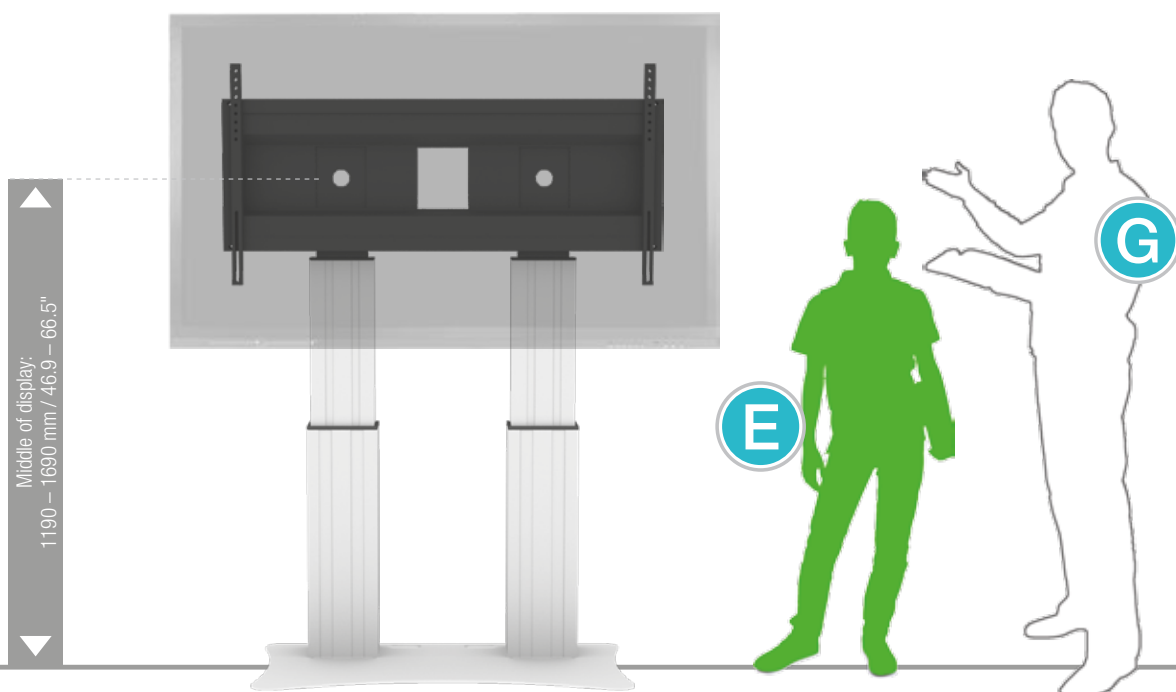
CCE-EXT20



Display securing padlock

SCHLIESS-VH

SIZE INDEX



| Department | Kindergarten | | | | Primary school | | Secondary school | | Adults |
|--------------------|------------------------|----------------------------|--------------------------|----------------------------|----------------------------|--------------------------|----------------------------|--|--------|
| | A | B | C | D | E | F | G | | |
| Silhouette | A | B | C | D | E | F | G | | |
| Age (years) | 2 – 3 | 3 – 4 | 4 – 7 | 6 – 11 | 11 – 14 | 13 – 16 | from 16 | | |
| Body size (mm / ") | 930 – 980 37 – 38.6 | 1080 – 1210 42.5 – 47.6 | 1190 – 1420 46.9 – 56 | 1330 – 1590 52.4 – 62.6 | 1460 – 1765 57.5 – 69.5 | 1590 – 1880 62.6 – 74 | 1740 – 2070 68.5 – 81.5 | | |
| Color | Green | Purple | Yellow | Red | Light Green | Blue | | | |

PACKING UNITS

| Item no. | Description | Packing dimensions (mm / ") | Net weight (kg / lbs) | Gross weight (kg / lbs) |
|--------------|---|---|-----------------------|-------------------------|
| CCE70-WD | 2 x electrical height adjustable column, 500 mm / 19.7" height adjustment, L = 900 mm / 35.4" | 2 x 1180 x 270 x 200 / 46.5 x 10.7 x 7.9 | 2 x 21 / 46.3 | 2 x 23,1 / 50.9 |
| AFSCETAND | XL-display mount | 1295 x 160 x 450 / 51 x 6.3 x 17.1 | 15 / 33.1 | 18 / 39.7 |
| PSTSCETAD | XL-floor plate | 30 x 750 x 800 / 1.2 x 29.5 x 31.5 | 30 / 1.2 | 32 / 1.3 |
| Total weight | | | 87 / 191.8 | 96,2 / 212.1 |