



## SCETTAC

EL. HÖHENVERSTELL- & SCHRÄGSTELLBARES SYSTEM MIT C-FAHRGESTELL

EL. HEIGHT & TILT ADJUSTABLE SYSTEM WITH C-MOBILE STAND

### Factory:

Conen Produkte GmbH & Co. KG  
Conenstr. 4  
54497 Morbach-Gonzerath  
Germany

### International sales department:

Mr. Luc van der Sterren  
Office: +49 65 33 75 311  
Cell: +31 612 495 098  
Email: [Luc@conenmounts.com](mailto:Luc@conenmounts.com)

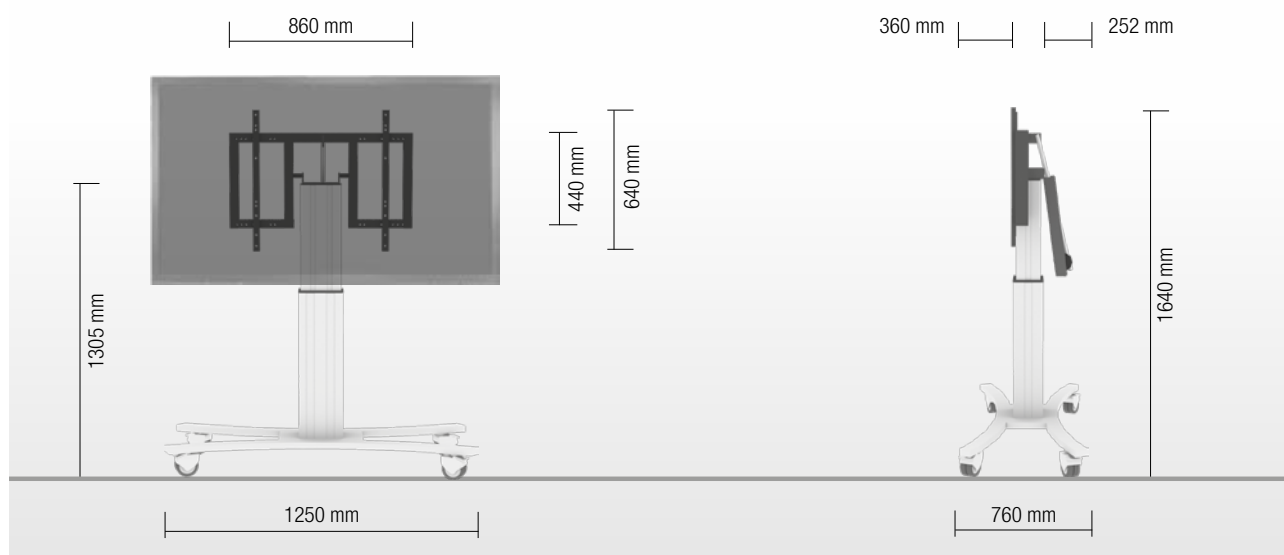
Mr. Arnaud Gielen  
Office: +49 6533 75 310  
Cell: +49 172 655 84 61  
Email: [Arnaud@conenmounts.com](mailto:Arnaud@conenmounts.com)



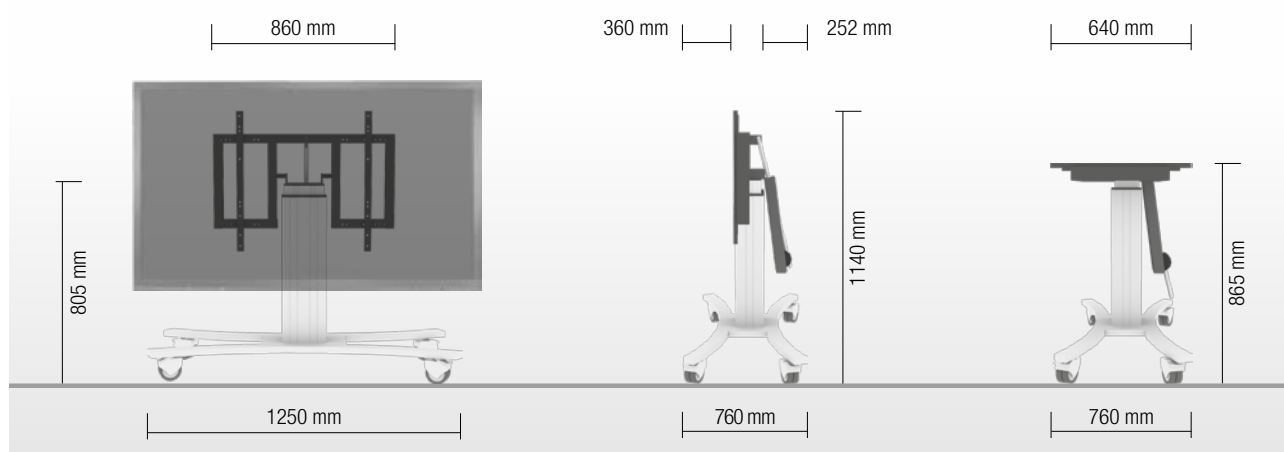
PRODUKTEIGENSCHAFTEN | PRODUCT FEATURES

- ◆ Elektrisch höhenverstellbare Pylone, natur eloxiert
- ◆ 500 mm Hub
- ◆ Mobiles C-Fahrgestell mit vier Schwerlastrollen, davon zwei mit Feststellbremse, RAL 9006 Weißaluminium
- ◆ Halterung zur Verwendung mit 42" – 70"/ 86" Display
- ◆ VESA 200 x 200 bis 800 x 600
- ◆ Maximale Belastung ca. 150 kg
- ◆ Electrical height adjustable column, natural anodized
- ◆ 500 mm height adjustment
- ◆ C-shaped mobile stand with four heavy duty castors – two with brakes, RAL 9006 white aluminum
- ◆ Display mount for use with 42" – 70"/ 86" display
- ◆ VESA 200 x 200 up to 800 x 600
- ◆ Maximum load approximately 150 kg

HÖCHSTE STELLUNG | HIGHEST POSITION



NIEDRIGSTE STELLUNG | LOWEST POSITION



DETAILANSICHTEN | DETAIL VIEWS



Aushängesicherung  
Screen secured by screws



Klappmechanismus  
Tilt function



Leichtlaufende, feststellbare Rollen  
Smooth running & lockable castors



Elektrische Fernbedienung  
Wired remote control

WÄHLBARES ZUBEHÖR | AVAILABLE ACCESSORIES



LAP4-..

Seitentisch  
Side shelf



FSH-..

Ablagetisch  
Front shelf



MINI-FUJI

Abschließbare Mini-PC Halterung  
Lockable mini PC bracket



CCE-EXT20

Verlängerung (200 mm)  
Extender (200 mm)



LOCKSCETA

Abschließbare Wandhalterung  
Lockable wall bracket



SCETA-ETH (C2-HB)

2 Boxenhalter (Boxen auf Anfrage)  
2 box holders (boxes on request)

| GRÖßENINDEX   SIZE INDEX     |              |             |             |                               |             |                                           |              |
|------------------------------|--------------|-------------|-------------|-------------------------------|-------------|-------------------------------------------|--------------|
|                              |              |             |             |                               |             |                                           |              |
| Bereich   Department         | Kindergarten |             |             | Grundschule<br>Primary school |             | Weiterführende Schule<br>Secondary school |              |
|                              |              |             |             |                               |             | Erwachsene<br>Adults                      |              |
| Silhouette   Silhouette      | <b>A</b>     | <b>B</b>    | <b>C</b>    | <b>D</b>                      | <b>E</b>    | <b>F</b>                                  | <b>G</b>     |
| Alter (Jahre)   Age (years)  | 2 – 3        | 3 – 4       | 4 – 7       | 6 – 11                        | 11 – 14     | 13 – 16                                   | ab   from 16 |
| Körpergröße   Body size (mm) | 930 – 980    | 1080 – 1210 | 1190 – 1420 | 1330 – 1590                   | 1460 – 1765 | 1590 – 1880                               | 1740 – 2070  |
| Farbe   Colour               |              |             |             |                               |             |                                           |              |

| PACKEINHEITEN   PACKING UNITS |                                                                                                                                             |                                        |                                    |                                       |
|-------------------------------|---------------------------------------------------------------------------------------------------------------------------------------------|----------------------------------------|------------------------------------|---------------------------------------|
| Artikel-Nr.<br>Item no.       | Beschreibung   Description                                                                                                                  | Packmaße<br>Packing dimensions<br>(mm) | Nettogewicht<br>Net weight<br>(kg) | Bruttogewicht<br>Gross weight<br>(kg) |
| CCET-50                       | Elektrisch höhenverstellbare Pylone, 500 mm Hub, L = 700 mm<br>electrical height adjustable column, 500 mm height adjustment,<br>L = 700 mm | 970 x 280 x 220                        | 19,5                               | 22,1                                  |
| AF-SCETTA                     | Display Halterung   Display mount                                                                                                           | 890 x 770 x 480                        | 22,1                               | 26,8                                  |
| MST-SCETA-C                   | C-Fahrgestell   C-shaped mobile stand                                                                                                       | 1350 x 780 x 120                       | 12,8                               | 15,5                                  |
| Gesamtgewicht   Total weight  |                                                                                                                                             |                                        | 54,4                               | 64,4                                  |



## SCETTAC

EL. HEIGHT & TILT ADJUSTABLE SYSTEM WITH C-MOBILE STAND

**Factory:**

Conen Produkte GmbH & Co. KG  
Conenstr. 4  
54497 Morbach-Gonzerath  
Germany

**International sales department:**

Mr. Luc van der Sterren  
Office: +49 65 33 75 311  
Cell: +31 612 495 098  
Email: [Luc@conenmounts.com](mailto:Luc@conenmounts.com)

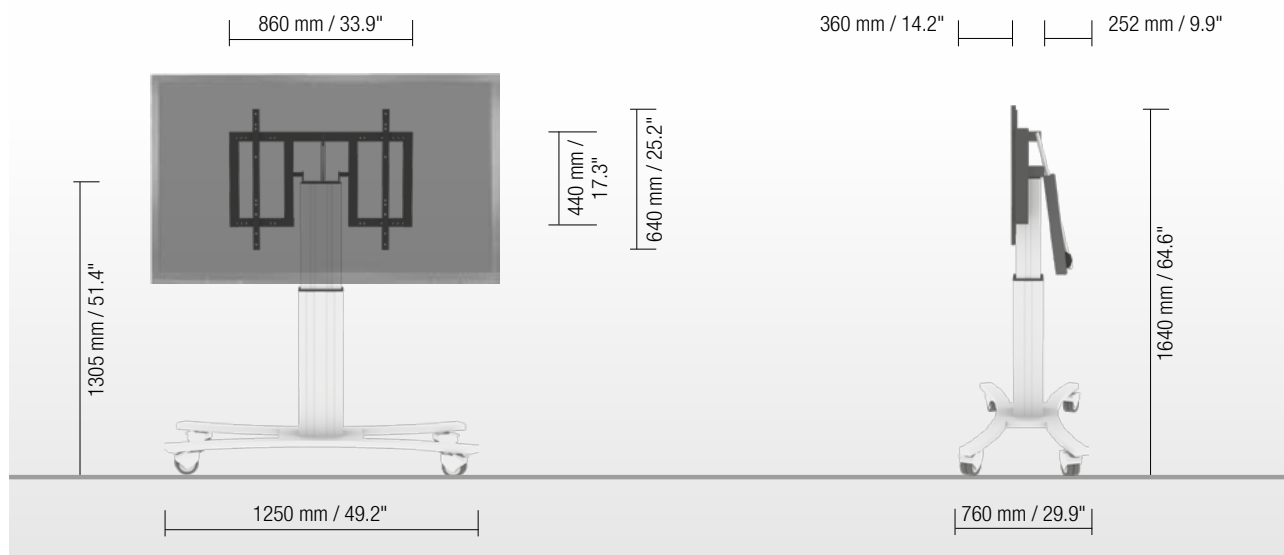
Mr. Arnaud Gielen  
Office: +49 6533 75 310  
Cell: +49 172 655 84 61  
Email: [Arnaud@conenmounts.com](mailto:Arnaud@conenmounts.com)



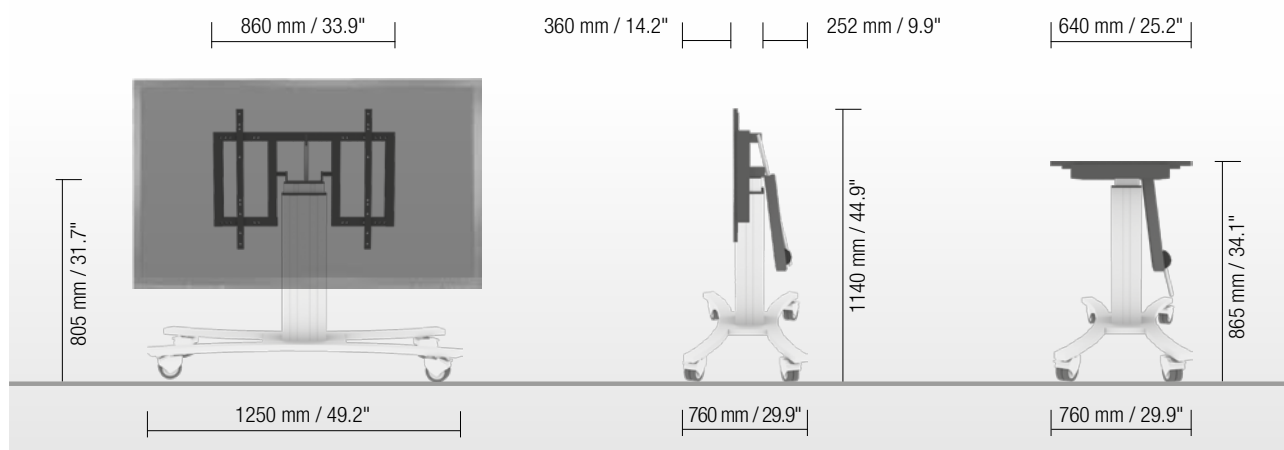
PRODUCT FEATURES

- ◆ Electrical height adjustable column, natural anodized
- ◆ 500 mm / 19.7" height adjustment
- ◆ C-shaped mobile stand with four heavy duty castors – two with brakes, RAL 9006 white aluminum
- ◆ Display mount for use with 42" – 70" / 86" display
- ◆ VESA 200 x 200 up to 800 x 600
- ◆ Maximum load approximately 150 kg / 330.7 lbs

HIGHEST POSITION



LOWEST POSITION



DETAIL VIEWS



Screen secured by screws



Tilt function



Smooth running & lockable castors



Wired remote control

AVAILABLE ACCESSORIES



LAP4-..

Side shelf



FSH-..

Front shelf



MINI-FUJI

Lockable mini PC bracket



CCE-EXT20

Extender (200 mm / 7.9")



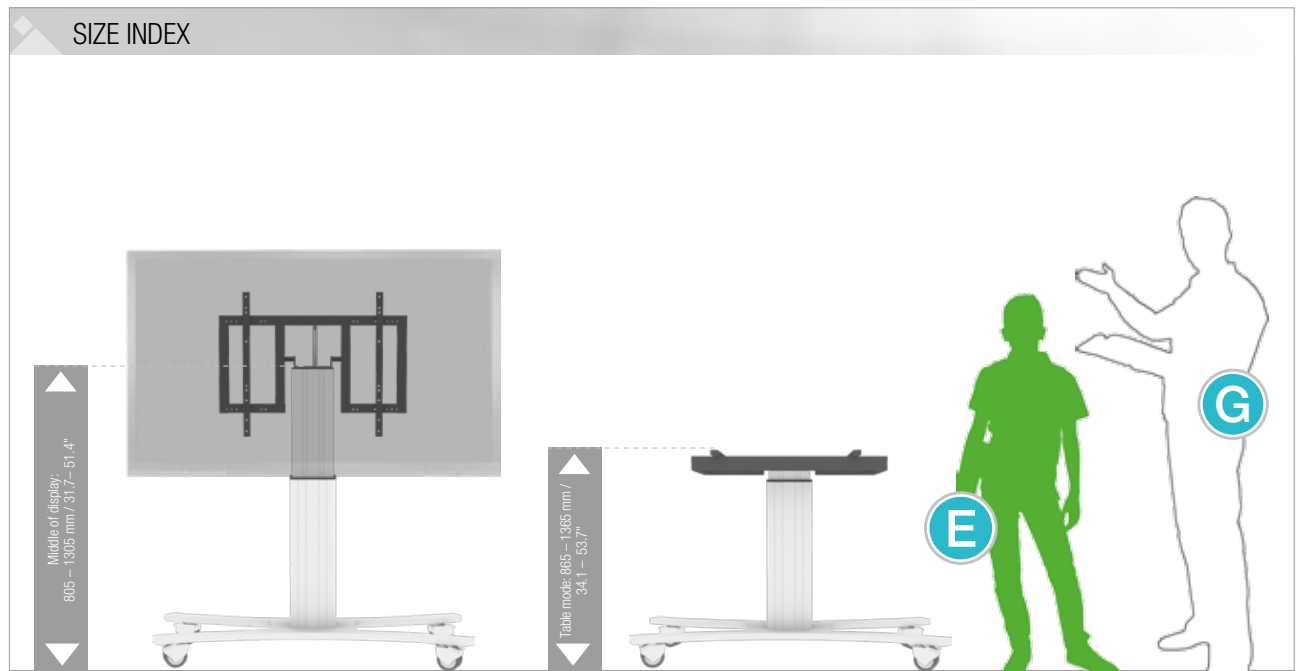
LOCKSCETA

Lockable wall bracket



SCETA-ETH (C2-HB)

2 box holders (boxes on request)



| Department         | Kindergarten           |                            |                          | Primary school             |                            | Secondary school         |                            | Adults |
|--------------------|------------------------|----------------------------|--------------------------|----------------------------|----------------------------|--------------------------|----------------------------|--------|
|                    | A                      | B                          | C                        | D                          | E                          | F                        | G                          |        |
| Silhouette         | A                      | B                          | C                        | D                          | E                          | F                        | G                          |        |
| Age (years)        | 2 - 3                  | 3 - 4                      | 4 - 7                    | 6 - 11                     | 11 - 14                    | 13 - 16                  | from 16                    |        |
| Body size (mm / ") | 930 - 980<br>37 - 38.6 | 1080 - 1210<br>42.5 - 47.6 | 1190 - 1420<br>46.9 - 56 | 1330 - 1590<br>52.4 - 62.6 | 1460 - 1765<br>57.5 - 69.5 | 1590 - 1880<br>62.6 - 74 | 1740 - 2070<br>68.5 - 81.5 |        |
| Color              | Green                  | Purple                     | Yellow                   | Red                        | Light Green                | Blue                     |                            |        |

| PACKING UNITS |                                                                                           |                                      |                       |                         |
|---------------|-------------------------------------------------------------------------------------------|--------------------------------------|-----------------------|-------------------------|
| Item no.      | Description                                                                               | Packing dimensions (mm / ")          | Net weight (kg / lbs) | Gross weight (kg / lbs) |
| CCET-50       | Electrical height adjustable column, 500 mm / 19.7" height adjustment, L = 700 mm / 27.6" | 970 x 280 x 220 / 38.2 x 11 x 8.7    | 19,5 / 43             | 22,1 / 48.7             |
| AF-SCETTA     | Display mount                                                                             | 890 x 770 x 480 / 35 x 30.3 x 18.9   | 22,1 / 48.7           | 26,8 / 59,1             |
| MST-SCETA-C   | C-shaped mobile stand                                                                     | 1350 x 780 x 120 / 53.1 x 30.7 x 4.7 | 12,8 / 28.2           | 15,5 / 28.2             |
| Total weight  |                                                                                           |                                      | 54,4 / 119.9          | 64,4 / 142              |