



## SCETTACL

EL. HEIGHT & TILT ADJUSTABLE SYSTEM WITH C-MOBILE STAND

**Factory:**

Conen Produkte GmbH & Co. KG  
Conenstr. 4  
54497 Morbach-Gonzerath  
Germany

**International sales department:**

Mr. Luc van der Sterren  
Office: +49 65 33 75 311  
Cell: +31 612 495 098  
Email: [Luc@conenmounts.com](mailto:Luc@conenmounts.com)

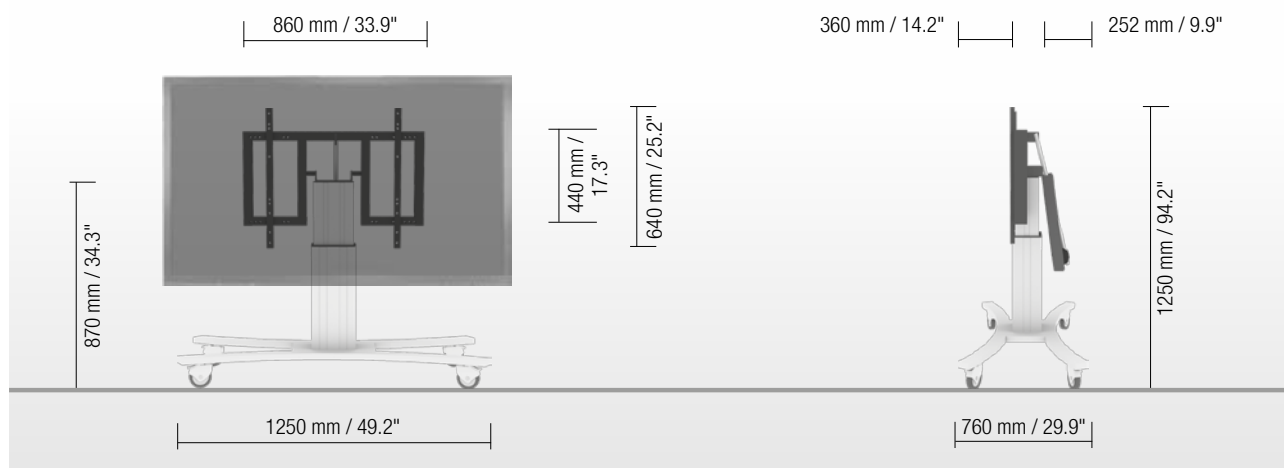
Mr. Arnaud Gielen  
Office: +49 6533 75 310  
Cell: +49 172 655 84 61  
Email: [Arnaud@conenmounts.com](mailto:Arnaud@conenmounts.com)



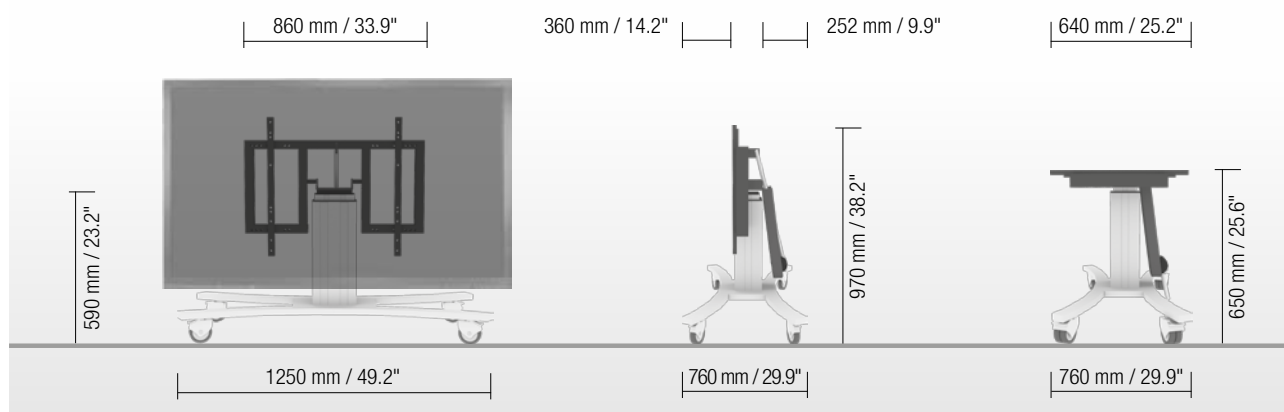
PRODUCT FEATURES

- ◆ Electrical height adjustable column, natural anodized
- ◆ 280 mm / 11" height adjustment
- ◆ C-shaped mobile stand with four heavy duty castors – two with brakes, RAL 9006 white aluminum
- ◆ Display mount for use with 42" – 70" / 86" display
- ◆ VESA 200 x 200 up to 800 x 600
- ◆ Maximum load approximately 150 kg / 330.7 lbs

HIGHEST POSITION



LOWEST POSITION



DETAIL VIEWS



Screen secured by screws



Tilt function



Smooth running & lockable castors



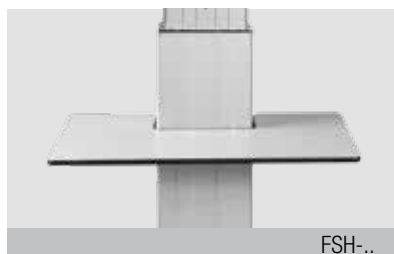
Wired remote control

AVAILABLE ACCESSORIES



Side shelf

LAP4-..



Front shelf

FSH-..



Lockable mini PC bracket

MINI-FUJI



2 Handles

GRIFF-SCETA



Lockable notebook cabinet

LAP-CAB



Extender (200 mm / 7.9")

CCE-EXT20



Lockable wall bracket

LOCKSCETA



2 box holders (boxes on request)

SCETA-ETH (C2-HB)



Display securing padlock

SCHLIESS-VH

SIZE INDEX



Department	Kindergarten			Primary school			Adults
	Kindergarten			Secondary school			
Silhouette	<b>A</b>	<b>B</b>	<b>C</b>	<b>D</b>	<b>E</b>	<b>F</b>	<b>G</b>
Age (years)	2 – 3	3 – 4	4 – 7	6 – 11	11 – 14	13 – 16	from 16
Body size (mm / ")	930 – 980 37 – 38.6	1080 – 1210 42.5 – 47.6	1190 – 1420 46.9 – 56	1330 – 1590 52.4 – 62.6	1460 – 1765 57.5 – 69.5	1590 – 1880 62.6 – 74	1740 – 2070 68.5 – 81.5
Color							

PACKING UNITS

Item no.	Description	Packing dimensions (mm / ")	Net weight (kg / lbs)	Gross weight (kg / lbs)
CCET-28	Electrical height adjustable column, 280 mm / 11" height adjustment, L = 500 mm / 19.7"	680 x 270 x 220 / 26.8 x 10.6 x 8.7	15,4 / 34	18,0 / 39.7
AF-SCETTA	Display mount	890 x 770 x 480 / 35 x 30.3 x 18.9	22,1 / 48.7	26,8 / 59,1
MST-SCETA-C	C-shaped mobile stand	1350 x 780 x 120 / 53.1 x 30.7 x 4.7	12,8 / 28.2	15,5 / 28.2
Total weight			50,3 / 111	60,3 / 132.9