



SCHRÄGSTELLBAR
TILTABLE
90°

SCETTAC3535B

EL. HÖHENVERSTELL- & SCHRÄGSTELLBARES SYSTEM MIT C-FAHRGESTELL

EL. HEIGHT & TILT ADJUSTABLE SYSTEM WITH C-MOBILE STAND

Factory:

Conen Produkte GmbH & Co. KG
Conenstr. 4
54497 Morbach-Gonzerath
Germany

International sales department:

Mr. Luc van der Sterren
Office: +49 65 33 75 311
Cell: +31 612 495 098
Email: Luc@conenmounts.com

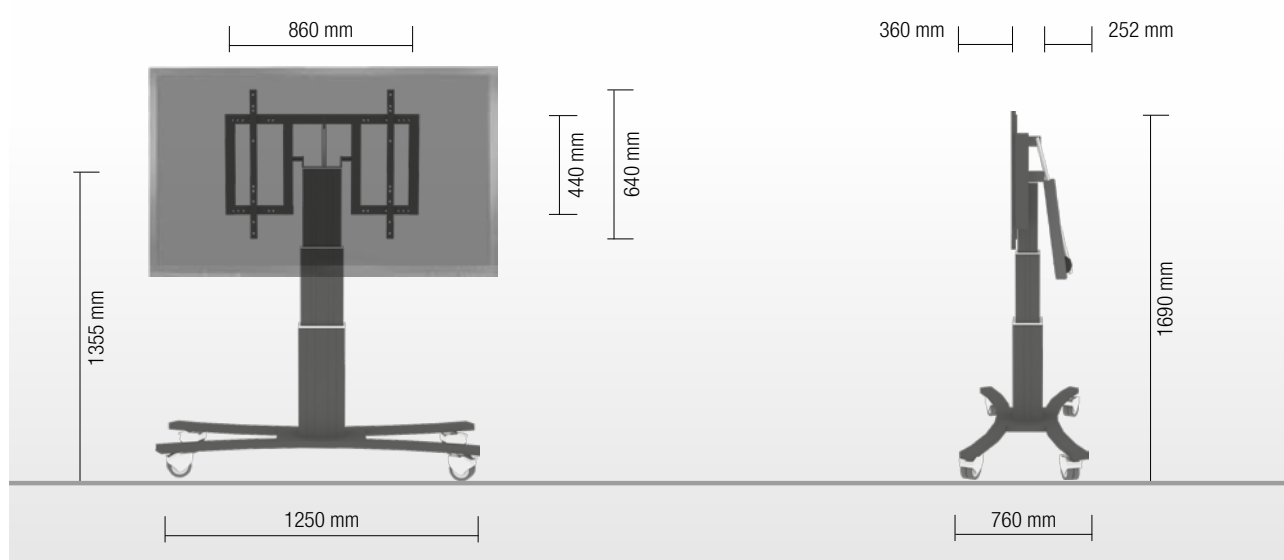
Mr. Arnaud Gielen
Office: +49 6533 75 310
Cell: +49 172 655 84 61
Email: Arnaud@conenmounts.com



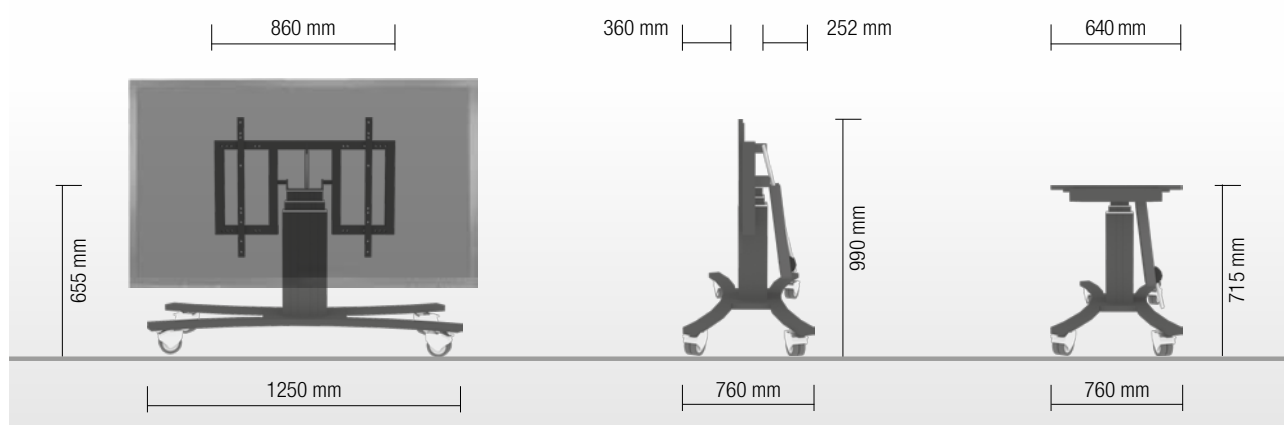
PRODUKTEIGENSCHAFTEN | PRODUCT FEATURES

- ◆ Elektrisch höhenverstellbare Pylone, schwarz eloxiert
- ◆ 2 x 350 mm Hub
- ◆ Mobiles C-Fahrgestell mit vier Schwerlastrollen, davon zwei mit Feststellbremse, RAL 9005 Tiefschwarz
- ◆ Halterung zur Verwendung mit 42" – 75" Display
- ◆ VESA 200 x 200 bis 800 x 600
- ◆ Maximale Belastung ca. 150 kg
- ◆ Electrical height adjustable column, black anodized
- ◆ 2 x 350 mm height adjustment
- ◆ C-shaped mobile stand with four heavy duty castors – two with brakes, RAL 9005 deep black
- ◆ Display mount for use with 42" – 75" display
- ◆ VESA 200 x 200 up to 800 x 600
- ◆ Maximum load approximately 150 kg

HÖCHSTE STELLUNG | HIGHEST POSITION



NIEDRIGSTE STELLUNG | LOWEST POSITION



DETAILANSICHTEN | DETAIL VIEWS



Aushängesicherung
Screen secured by screws



Klappmechanismus
Tilt function



Leichtlaufende, feststellbare Rollen
Smooth running & lockable castors



Elektrische Fernbedienung
Wired remote control

WÄHLBARES ZUBEHÖR | AVAILABLE ACCESSORIES



LAP4-..

Seitentisch
Side shelf



FSH-..

Ablagetisch
Front shelf



MINI-FUJI

Abschließbare Mini-PC Halterung
Lockable mini PC bracket



CCEL-EXT20

Verlängerung (200 mm)
Extender (200 mm)



LOCKSCETA

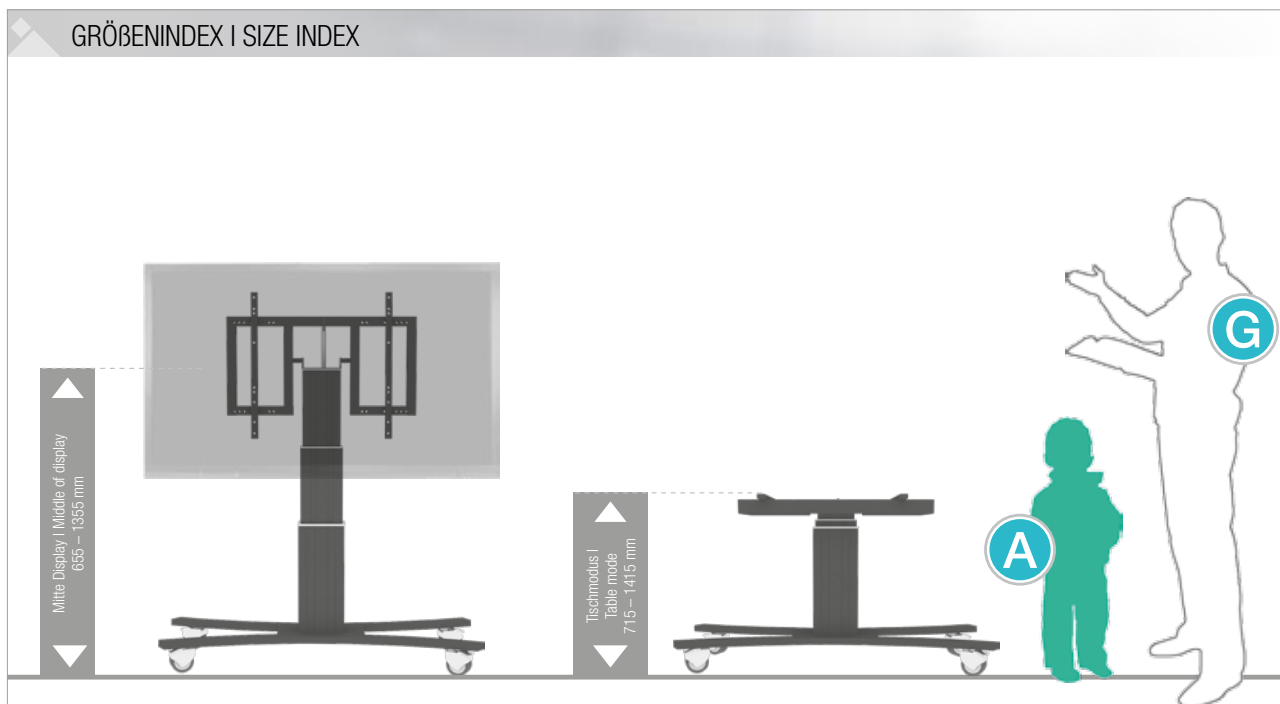
Abschließbare Wandhalterung
Lockable wall bracket



SCETA-ETH (C2-HB)

2 Boxenhalter (Boxen auf Anfrage)
2 box holders (boxes on request)

GRÖßENINDEX | SIZE INDEX



| | | | | | | | | |
|------------------------------|--------------|-------------|-------------|-------------------------------|-------------|---|--------------|----------------------|
| Bereich Department | Kindergarten | | | Grundschule Primary school | | Weiterführende Schule Secondary school | | Erwachsene Adults |
| | A | B | C | D | E | F | G | |
| Silhouette Silhouette | A | B | C | D | E | F | G | |
| Alter (Jahre) Age (years) | 2 – 3 | 3 – 4 | 4 – 7 | 6 – 11 | 11 – 14 | 13 – 16 | ab from 16 | |
| Körpergröße Body size (mm) | 930 – 980 | 1080 – 1210 | 1190 – 1420 | 1330 – 1590 | 1460 – 1765 | 1590 – 1880 | 1740 – 2070 | |
| Farbe Colour | Green | Purple | Yellow | Red | Green | Blue | | |

PACKEINHEITEN | PACKING UNITS

| Artikel-Nr. Item no. | Beschreibung Description | Packmaße Packing dimensions (mm) | Nettogewicht Net weight (kg) | Bruttogewicht Gross weight (kg) |
|------------------------------|--|--|------------------------------------|---------------------------------------|
| CCE-3535B | Elektrisch höhenverstellbare Pylone, 2 x 350 mm Hub, L = 585 mm Electrical height adjustable column, 2 x 350 mm height adjustment, L = 585 mm | 820 x 270 x 220 | 20,8 | 24,0 |
| AF-SCETTA | Display Halterung Display mount | 890 x 770 x 480 | 22,1 | 26,8 |
| MST-SCETA-CB | C-Fahrgestell C-shaped mobile stand | 1350 x 780 x 120 | 12,8 | 15,5 |
| Gesamtgewicht Total weight | | | 55,7 | 66,3 |



SCETTAC3535B

EL. HEIGHT & TILT ADJUSTABLE SYSTEM WITH C-MOBILE STAND

Factory:

Conen Produkte GmbH & Co. KG
Conenstr. 4
54497 Morbach-Gonzerath
Germany

International sales department:

Mr. Luc van der Sterren
Office: +49 65 33 75 311
Cell: +31 612 495 098
Email: Luc@conenmounts.com

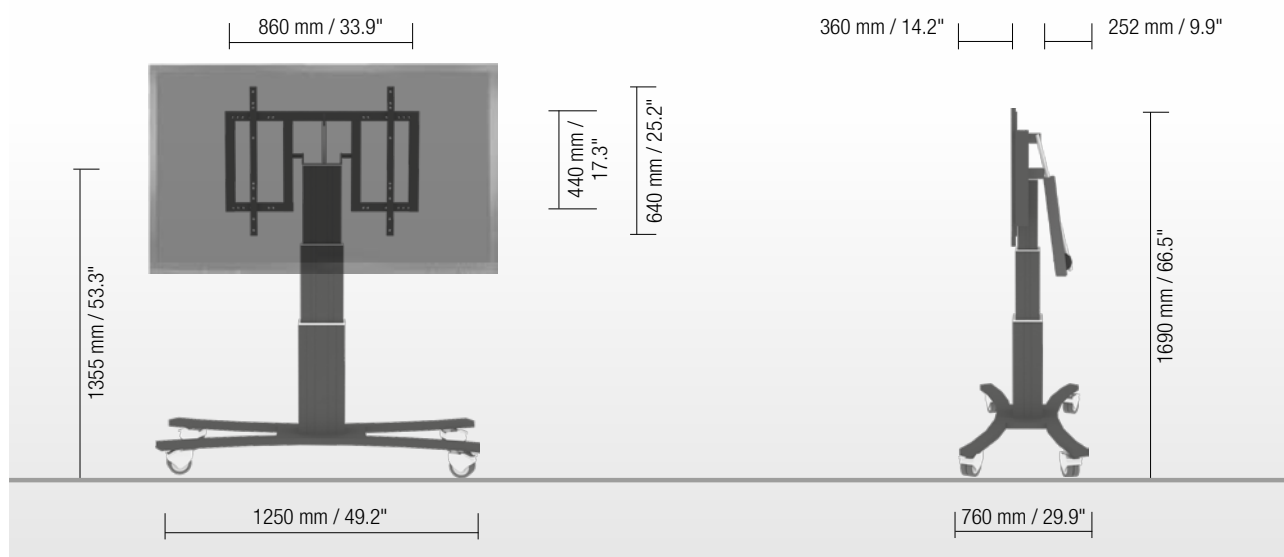
Mr. Arnaud Gielen
Office: +49 6533 75 310
Cell: +49 172 655 84 61
Email: Arnaud@conenmounts.com



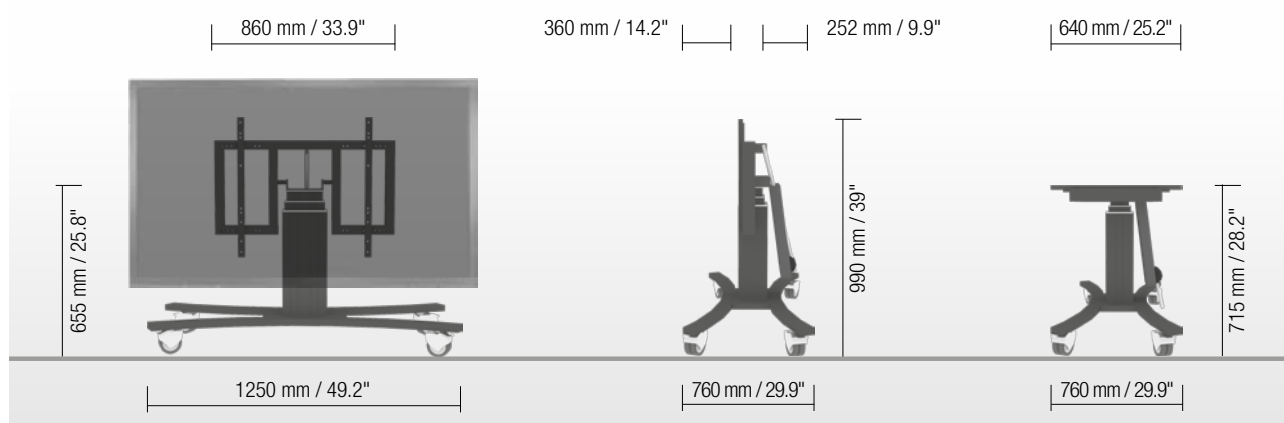
PRODUCT FEATURES

- ◆ Electrical height adjustable column, black anodized
- ◆ 2 x 350 mm / 2 x 13.8" height adjustment
- ◆ C-shaped mobile stand with four heavy duty castors – two with brakes, RAL 9005 deep black
- ◆ Display mount for use with 42" – 75" display
- ◆ VESA 200 x 200 up to 800 x 600
- ◆ Maximum load approximately 150 kg / 331 lbs

HIGHEST POSITION



LOWEST POSITION



DETAIL VIEWS



Screen secured by screws



Tilt function



Smooth running & lockable castors



Wired remote control

AVAILABLE ACCESSORIES



Side shelf

LAP4-..



Front shelf

FSH-..



Lockable mini PC bracket

MINI-FUJI



Extender (200 mm / 7.9")

CCEL-EXT20



Lockable wall bracket

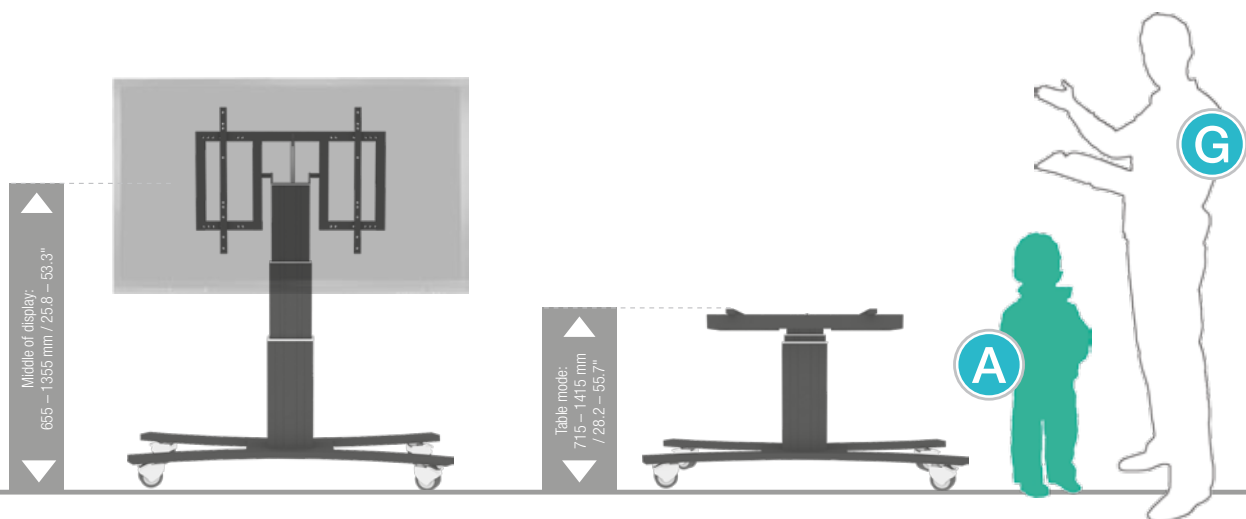
LOCKSCETA



2 box holders (boxes on request)

SCETA-ETH (C2-HB)

SIZE INDEX



| Department | Kindergarten | | | Primary school | | Secondary school | | Adults |
|--------------------|------------------------|----------------------------|--------------------------|----------------------------|----------------------------|--------------------------|----------------------------|--------|
| | A | B | C | D | E | F | G | |
| Silhouette | A | B | C | D | E | F | G | |
| Age (years) | 2 – 3 | 3 – 4 | 4 – 7 | 6 – 11 | 11 – 14 | 13 – 16 | from 16 | |
| Body size (mm / ") | 930 – 980 37 – 38.6 | 1080 – 1210 42.5 – 47.6 | 1190 – 1420 46.9 – 56 | 1330 – 1590 52.4 – 62.6 | 1460 – 1765 57.5 – 69.5 | 1590 – 1880 62.6 – 74 | 1740 – 2070 68.5 – 81.5 | |
| Color | Green | Purple | Yellow | Red | Green | Blue | | |

PACKING UNITS

| Item no. | Description | Packing dimensions (mm / ") | Net weight (kg / lbs) | Gross weight (kg / lbs) |
|--------------|---|--------------------------------------|-----------------------|-------------------------|
| CCE-3535B | Electrical height adjustable column, 2 x 350 mm / 13.8" height adjustment, L = 585 mm / 23" | 820 x 270 x 220 / 32.3 x 10.6 x 8.7 | 21,2 / 45.9 | 24,0 / 53 |
| AF-SCETTA | Display mount | 890 x 770 x 480 / 35 x 30.3 x 18.9 | 22,1 / 48.7 | 26,8 / 59.1 |
| MST-SCETA-CB | C-shaped mobile stand | 1350 x 780 x 120 / 53.1 x 30.7 x 4.7 | 12,8 / 28.2 | 15,5 / 34.2 |
| Total weight | | | 55,7 / 122.8 | 66,3 / 146.2 |