



SCETTAC3535B

EL. HEIGHT & TILT ADJUSTABLE SYSTEM WITH C-MOBILE STAND

Factory:

Conen Produkte GmbH & Co. KG
Conenstr. 4
54497 Morbach-Gonzerath
Germany

International sales department:

Mr. Luc van der Sterren
Office: +49 65 33 75 311
Cell: +31 612 495 098
Email: Luc@conenmounts.com

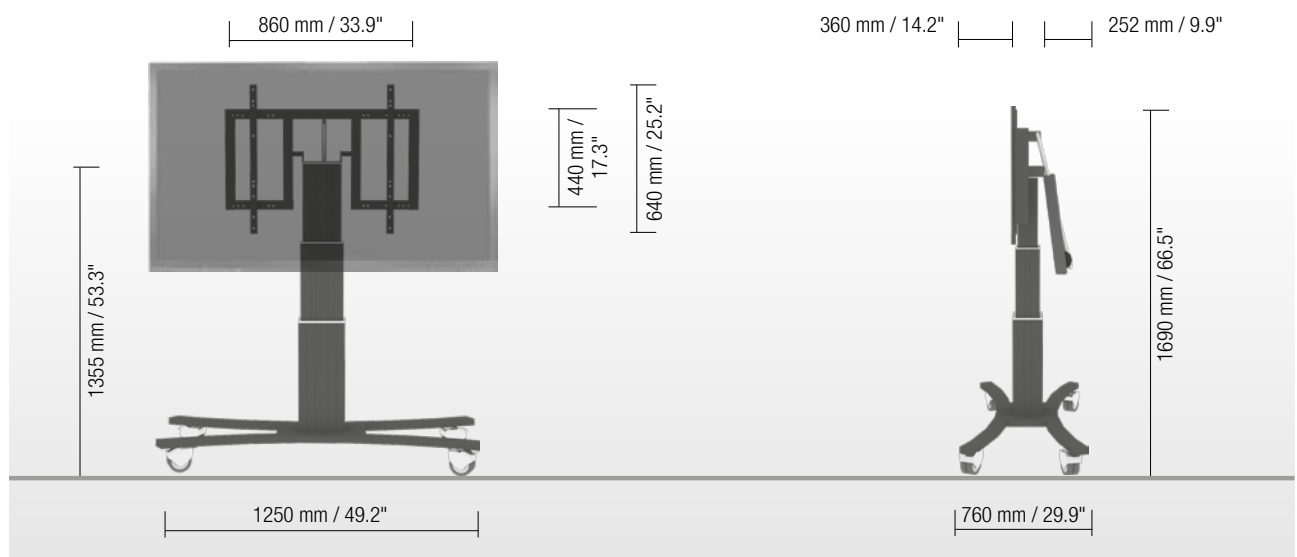
Mr. Arnaud Gielen
Office: +49 6533 75 310
Cell: +49 172 655 84 61
Email: Arnaud@conenmounts.com



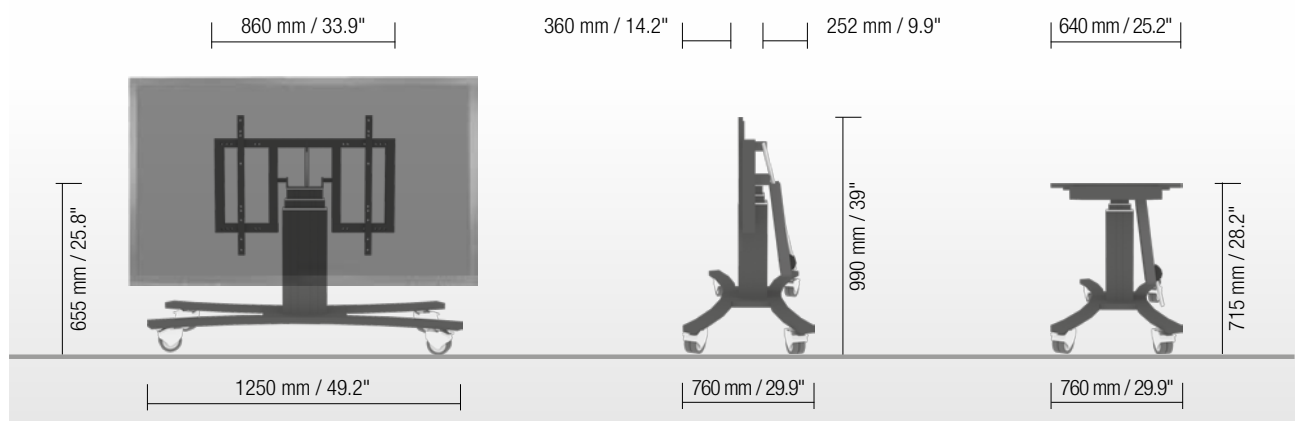
PRODUCT FEATURES

- ◆ Electrical height adjustable column, black anodized
- ◆ 2 x 350 mm / 2 x 13.8" height adjustment
- ◆ C-shaped mobile stand with four heavy duty castors – two with brakes, RAL 9005 deep black
- ◆ Display mount for use with 42" – 75" display
- ◆ VESA 200 x 200 up to 800 x 600
- ◆ Maximum load approximately 150 kg / 330.7 lbs

HIGHEST POSITION



LOWEST POSITION



DETAIL VIEWS



Screen secured by screws



Tilt function



Smooth running & lockable castors



Wired remote control

AVAILABLE ACCESSORIES



LAP4-..

Side shelf



FSH-..

Front shelf



MINI-FUJI

Lockable mini PC bracket



CCEL-EXT20

Extender (200 mm / 7.9")



LOCKSCETA

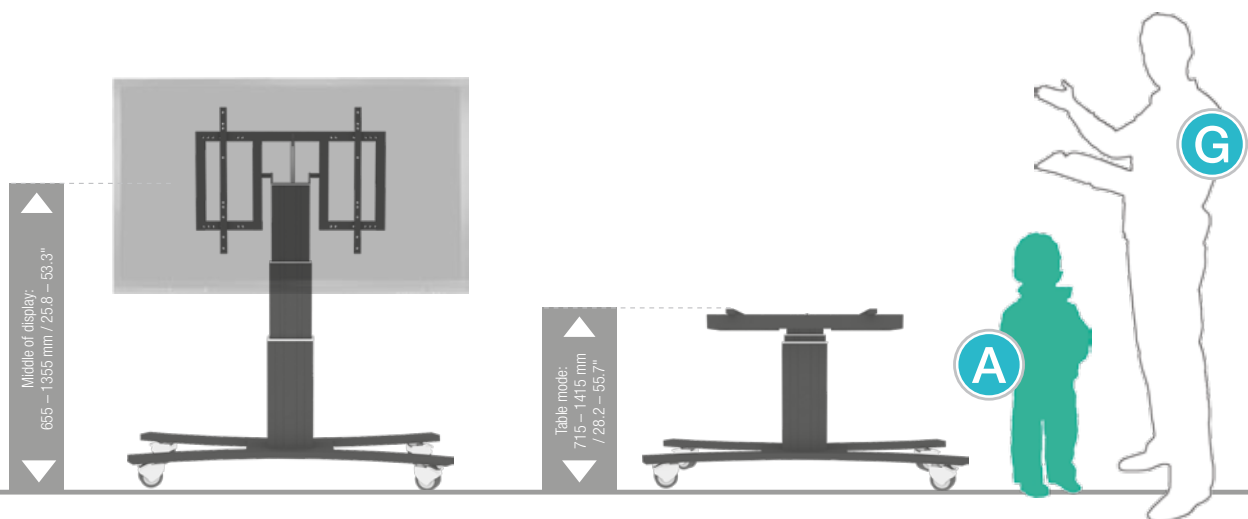
Lockable wall bracket



SCETA-ETH (C2-HB)

2 box holders (boxes on request)

SIZE INDEX



Department	Kindergarten			Primary school		Secondary school		Adults
	A	B	C	D	E	F	G	
Silhouette	A	B	C	D	E	F	G	
Age (years)	2 – 3	3 – 4	4 – 7	6 – 11	11 – 14	13 – 16	from 16	
Body size (mm / ")	930 – 980 37 – 38.6	1080 – 1210 42.5 – 47.6	1190 – 1420 46.9 – 56	1330 – 1590 52.4 – 62.6	1460 – 1765 57.5 – 69.5	1590 – 1880 62.6 – 74	1740 – 2070 68.5 – 81.5	
Color	Green	Purple	Yellow	Red	Green	Blue		

PACKING UNITS

Item no.	Description	Packing dimensions (mm / ")	Net weight (kg / lbs)	Gross weight (kg / lbs)
CCET-3535B	Electrical height adjustable column, 2 x 350 mm / 13.8" height adjustment, L = 585 mm / 23"	820 x 270 x 220 / 32.3 x 10.6 x 8.7	21,2 / 45.9	24,0 / 53
AF-SCETTA	Display mount	890 x 770 x 480 / 35 x 30.3 x 18.9	22,1 / 48.7	26,8 / 59.1
MST-SCETA-CB	C-shaped mobile stand	1350 x 780 x 120 / 53.1 x 30.7 x 4.7	12,8 / 28.2	15,5 / 34.2
Total weight			55,7 / 122.8	66,3 / 146.2