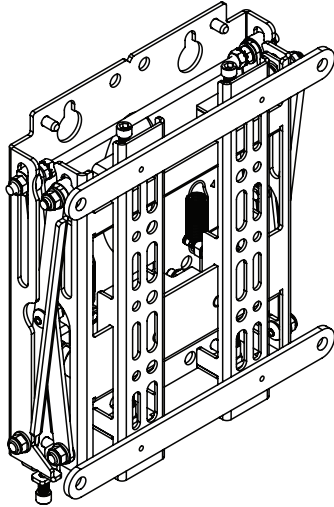




BT8308 POP-OUT FLAT SCREEN WALL MOUNT INSTALLATION GUIDE & PARTS LIST

This Pack Contains 1 Mount

PLEASE KEEP THIS FOR FUTURE REFERENCE



FEATURES

- Designed for screens up to 42" (107cm) / 25kg (55lbs)
- Fits screens with VESA mounting patterns from 75 x 75mm up to 200 x 200mm
- Suitable for landscape or portrait screen mounting
- Slim design only 62mm (with adaptors) from wall when closed
- Ideal solution for mounting flat screens into a recessed wall
- Screen height adjustment +12mm
- Push to open / push to close system provides quick and easy service access
- Integrated locking kit prevents accidental pop-out of mount
- Integrated cable management
- Can also be mounted onto B-Tech horizontal rails (BT8390) or accessory collars



CONTENTS

Installation Safety Notes.....	2
Parts List.....	4
Installation Instructions.....	6
Installation Options.....	13
Alternative Installation Examples.....	14
Product Dimensions.....	15
B-Tech Contact Details.....	16

TOOLS REQUIRED

13mm (1/2")
spanner or socket

Crosshead
screwdriver

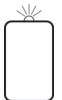
Drill

10mm (7/16")
masonry bit or
6mm (1/4") wood bit

Pencil

Level
(optional)

Stud finder
(optional)



B-TECH AV MOUNTS

www.btechavmounts.com

INSTALLATION SAFETY INSTRUCTIONS



CAUTION: This mount is intended for use only with the maximum weights indicated. Use with flat screens heavier than the maximum indicated may result in instability causing possible injury.

Do not attempt to install this product until all instructions and warnings have been read and properly understood. Please keep these instructions for future reference.

Please check carefully to make sure there are no missing or defective parts - defective parts must never be used. B-Tech International Limited, its distributors and dealers are not liable or responsible for damage or injury caused by improper installation, improper use or failure to observe these safety instructions. In such cases, all guarantees will expire.

General

B-Tech International Design & Manufacturing Ltd recommends that a professional AV installer or other suitably qualified person install this product. Great care must always be taken during installation as most AV equipment is of fragile nature, possibly heavy and easily damaged if dropped.

If you do not fully understand the instructions or are not sure how to install this product safely, then please consult a professional for advice and/or to install this product for you. Failure to mount this product correctly may cause serious injury or death both during installation and at any time thereafter.

Do not mount any AV equipment that exceeds the specific weight limit of the product you are installing.

This weight limit will be clearly stated on each product and its packaging and will vary from product to product.

Product location

Please pay careful attention to where this product is located. Check load capacity of wall prior to installation as some walls are not suitable for installation. Designed for indoor use, this mount is suitable for public or home installation. If located in a public or frequently populated area ensure that the product is out of the immediate reach of people. If any AV equipment is to be suspended over the likely path or location of people then great care should be taken to secure all parts of the installation from falling. If you install this product on drywall it must be securely fixed to a wooden stud, concrete block or other permanent structure behind the drywall board. Installing on drywall boards alone will not support the weight of most AV equipment.

When drilling holes in walls it is essential to avoid contact with electrical cables and water or gas pipes contained within. Use of a good quality live wire detector and hidden object locator is therefore recommended. Only drill into structures when you are sure it is safe to do so.

Fixing hardware

It is highly recommended that all wall fixing screws be used where supplied and that the purpose of all other fixing hardware is fully understood. In some cases more AV equipment fixing hardware will be supplied to accommodate different models of equipment and set up configurations.

The installer must be satisfied that any supplied fixing hardware is suitable for each specific installation. If any fixing screws or included hardware are deemed not sufficient for a safe installation then please consult a professional or your local hardware store.

Hazard limitation

When routing cables take advantage of any built in cable management features that the product might provide and ensure that all cables are tidy and secure. Check to see that any moving aspect of the product can do so unhindered by any cabling.

Some products have moving parts and the potential to cause injury through the crushing or trapping of fingers or other body parts.

Particular attention to the nature of moving parts is required especially when assembling installing and adjusting during set up.

Immediately after installations double-check that the work done is safe and secure. Double-check all necessary fixings are present and are of ample tightness.

It is recommended that periodic inspections of the product and its fixing points are made as frequently as possible to ensure that safety is maintained. If in doubt consult a professional AV installer or other suitably qualified person.

CS

Společnost B-Tech International Design And Manufacturing Ltd. doporučuje provést instalaci tohoto produktu instalátora AV či jinak způsobilé osoby. Společnost B-Tech International Design And Manufacturing Ltd, její distributoři a prodejci nenesou prostřednictvím odborného odpov. édnost za škody nebo zranění způsobená nevhodnou instalací. Tento výrobek je nutno umístit do vhodné konstrukce a používat jen po uvedené maximální výšce.

DE

B-Tech International Design And Manufacturing Ltd. empfiehlt, dass dieses Produkt durch einen qualifizierten AV-Techniker oder eine andere Person mit geeigneter Qualifikation installiert wird. B-Tech International Design And Manufacturing Ltd, ihre Distributoren und Händler können nicht für durch fehlerhafte Montage verursachte Beschädigung oder Verletzung haftbar bzw. verantwortlich gemacht werden. Dieses Produkt muss auf eine geeignetem Untergrund montiert werden und darf nur bis zum angegebenen Höchstgewicht verwendet werden.

ES

B-Tech International Design And Manufacturing Ltd. recomienda que un instalador de audio y video profesional u otra persona debidamente cualificada instalen este producto. B-Tech International Design And Manufacturing Ltd, sus distribuidores y concesionarios no se hacen cargo ni se responsabilizan de ningún daño o lesión provocados por una instalación inapropiada. Este producto se debe montar en una estructura adecuada y se debe utilizar soportando solamente hasta el peso máximo indicado.

FR

B-Tech International Design And Manufacturing Ltd. recommande de confier l'installation de ce produit à un installateur AV professionnel ou à une autre personne dûment qualifiée. B-Tech International Design And Manufacturing Ltd, ses distributeurs et ses revendeurs ne sauraient être tenus responsables de tout dégât ou de toute blessure résultant d'une installation incorrecte. Ce produit doit être monté sur un support approprié et utilisé dans la limite du poids maximum indiqué.

IT

B-Tech International Design And Manufacturing Ltd. consiglia di affidare l'installazione di questo prodotto a un installatore specializzato o ad altra persona adeguatamente qualificata. B-Tech International Design And Manufacturing Ltd, i suoi distributori e rivenditori non accettano alcuna responsabilità nei riguardi di eventuali danni o infortuni causati da un'errata installazione. Questo prodotto deve essere fissato a una struttura idonea e utilizzato unicamente sino al peso massimo indicato.

NL

B-Tech International Design And Manufacturing Ltd. adviseert om dit product te laten installeren door een professionele AV-installateur of andere hiervoor gekwalificeerde persoon. B-Tech International Design And Manufacturing Ltd, haar distributeurs en dealers zijn niet aansprakelijk of verantwoordelijk voor schade of letsel die is veroorzaakt door onoordeelkundige installatie. Dit product moet worden gemonteerd aan een geschikte constructie, waarbij het aangegeven maximum gewicht niet mag worden overschreden.

PL

Firma B-Tech International Design And Manufacturing Ltd. zaleca, aby ten produkt był instalowany przez profesjonalnych instalatorów AV lub inny odpowiednio przeszkolony personel. Firma B-Tech International Design And Manufacturing Ltd, jej dystrybutorzy i dealerzy nie ponoszą odpowiedzialności za uszkodzenia lub obrażenia ciała powstałe w wyniku nieprawidłowej instalacji. Niniejszy produkt musi być zamontowany na odpowiedniej powierzchni, a podczas u żytkowania nie wolno przekraczać podanego maksymalnego obciążenia.

PT

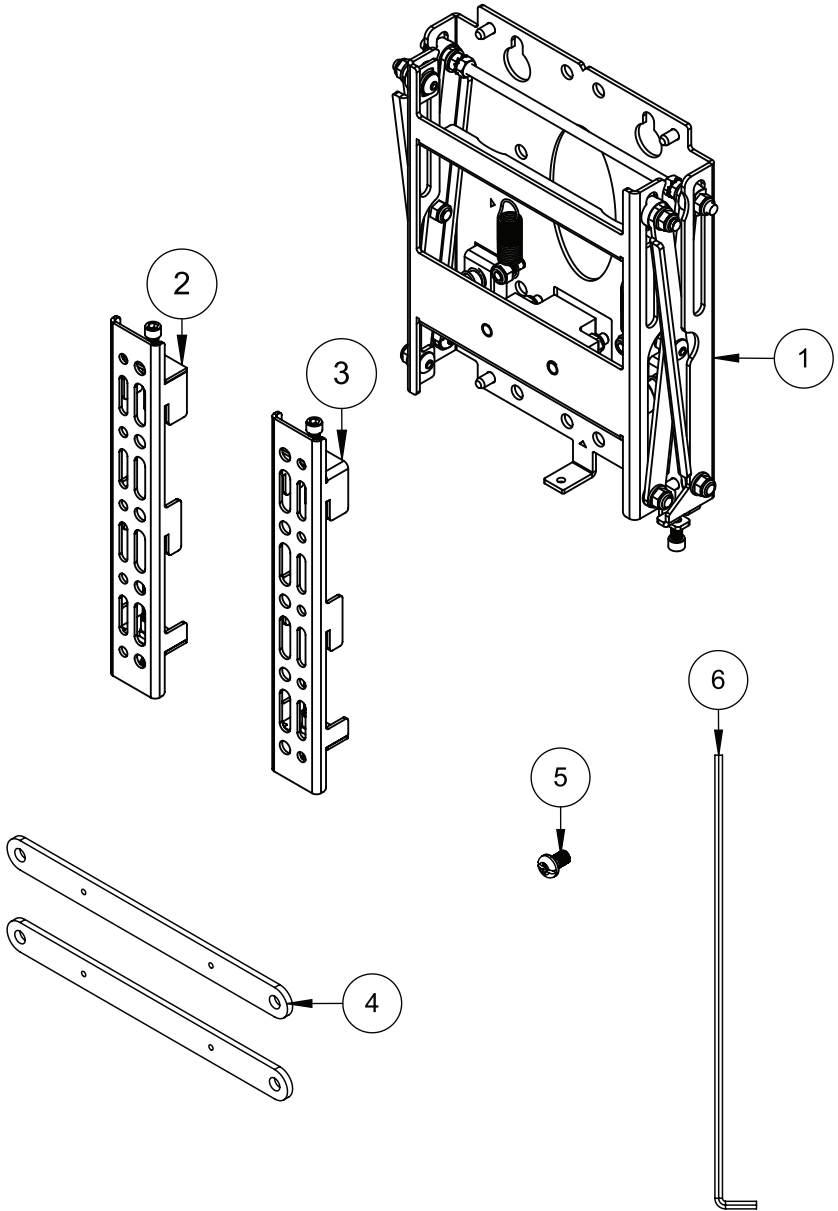
A B-Tech International Design And Manufacturing Ltd. recomenda que a instalação deste produto seja efectuada por um instalador de AV instalador de AV profissional ou outra pessoa devidamente habilitada. A B-Tech International Design And Manufacturing Ltd. e os seus distribuidores e concessionários não são responsáveis por danos ou lesões causados por uma instalação incorrecta. Este produto tem de ser montado numa estrutura adequada e utilizado somente até ao peso máximo indicado.

RU

Компания B-Tech International Design And Manufacturing Ltd. рекомендует, чтобы установка данного изделия производилась инженером по установке аудио-видеотехники или другим специалистом с соответствующей квалификацией. Компания B-Tech International Design And Manufacturing Ltd. ее дистрибьюторы и дилеры не несут ответственности за повреждения или травмы, полученные в результате неправильной установки. Данное изделие должно

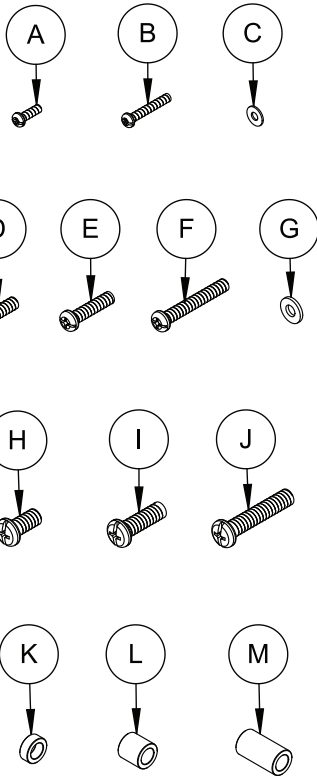
توصي بي- تك للتجارة الدولية المحدودة بأن شخص محترف في تركيب ال AV او شخص مؤهل تأهيلا مناسباً لتركيب هذا المنتج. بي- تك للتجارة الدولية، موز عليها والتجار ليست عرضة أو مسؤولة عن الأضرار أو الإصابات الناجمة عن تركيب غير سليم، والاستخدام غير السليم أو عدم مراعاة هذه التعليمات للسلامة. يجب أن يتم تركيب هذا المنتج في بنية مناسبة ويجب استخدام فقط لدعم الحد الأقصى للوزن المشار إليه.

BT8308
PARTS LIST



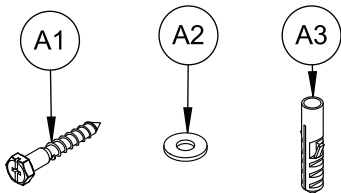
Suitable for loads up to 25kg

Flat Screen Interface Kit
(for attaching mount to back of screen)



ITEM	PART NAME	QTY
1	WALL MOUNT	1
2	INTERFACE ARM - LEFT	1
3	INTERFACE ARM - RIGHT	1
4	VESA 200 ADAPTOR ARM	2
5	M4 x 6mm SCREW	4
6	HEX KEY	1
INTERFACE KIT		
A	M4 x 12mm SCREW	4
B	M4 x 25mm SCREW	4
C	M4 WASHER	4
D	M6 x 16mm SCREW	4
E	M6 x 25mm SCREW	4
F	M6 x 40mm SCREW	4
G	M6 WASHER	4
H	M8 x 16mm SCREW	4
I	M8 x 25mm SCREW	4
J	M8 x 40mm SCREW	4
K	5mm SPACER	4
L	13mm SPACER	4
M	24mm SPACER	4
WALL FIXING KIT		
A1	M8 x 50mm COACH SCREW	4
A2	M8 WASHER	4
A3	WALL PLUG	4

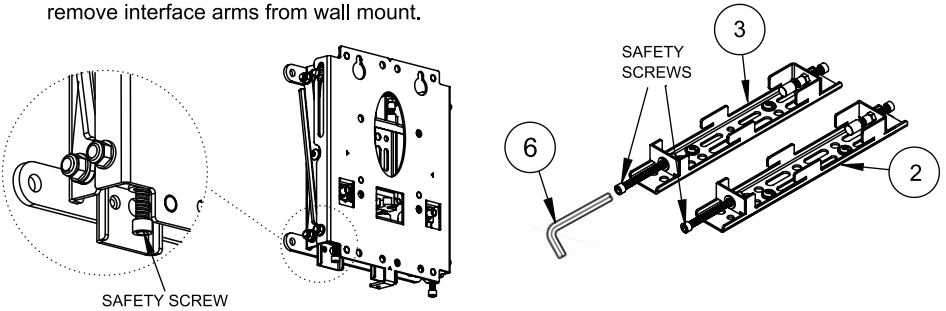
Wall Fixing Kit



INSTALLATION INSTRUCTIONS

1 Undo Safety Screws on Interface Arms

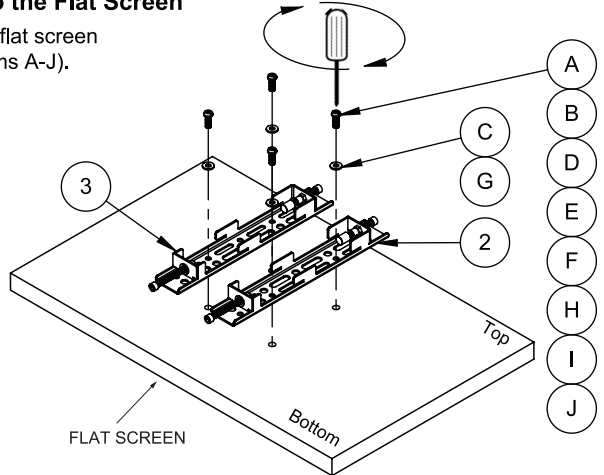
Loosen safety screws on items 2 & 3 to remove interface arms from wall mount.



2 Attach the Interface Arms to the Flat Screen

Fix items 2 & 3 to the back of the flat screen using the screen interface kit (items A-J).

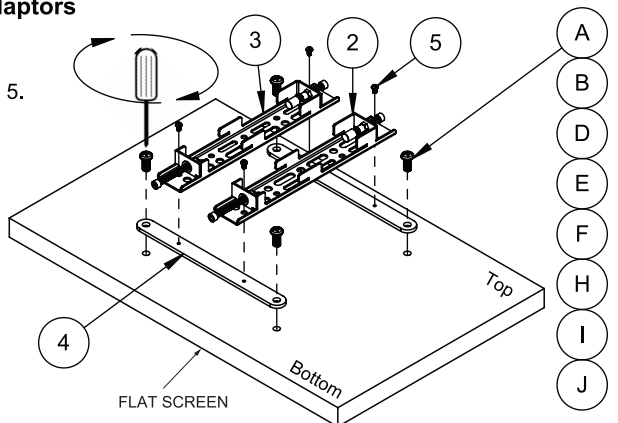
Items 2 & 3 can mount screens with fixing patterns from 75 x 75mm up to 100 x 200mm.



Use spacers (items K, L & M) for screens with recess fixings.

VESA 200 x 200mm Interface Adaptors

To mount flat screens with VESA 200 x 100mm or 200 x 200mm fixings attach item 4 to items 2 & 3 using item 5.

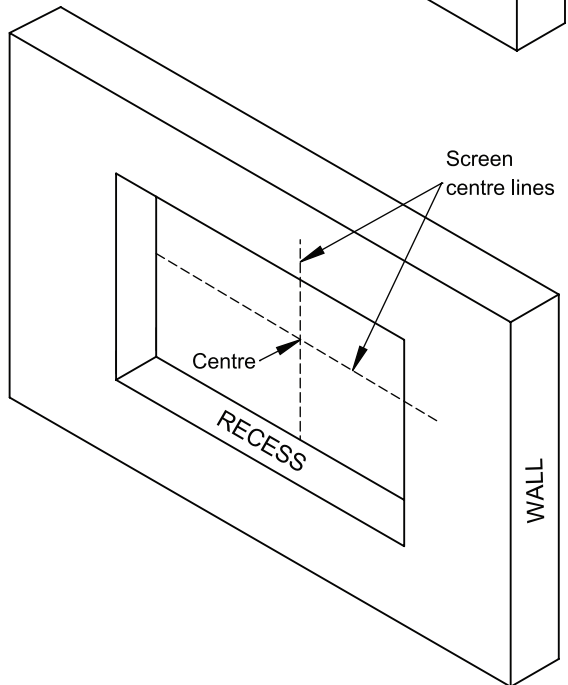
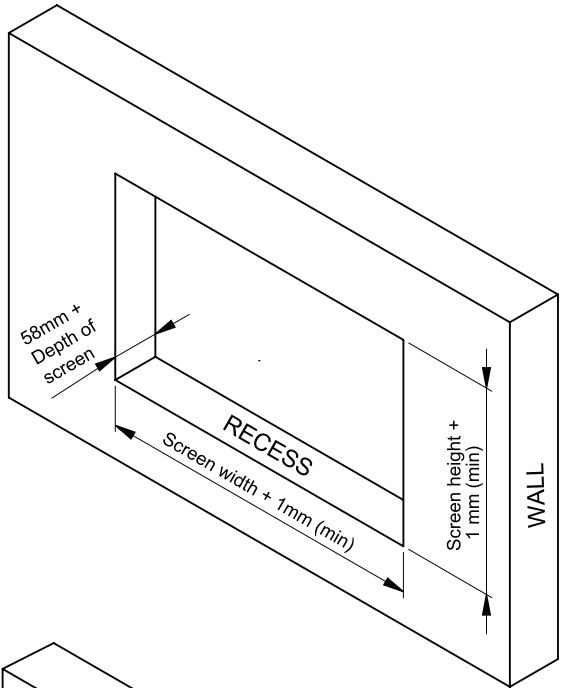
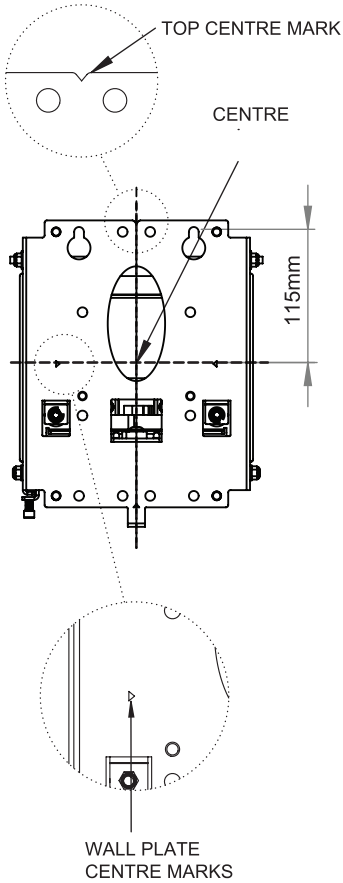


3

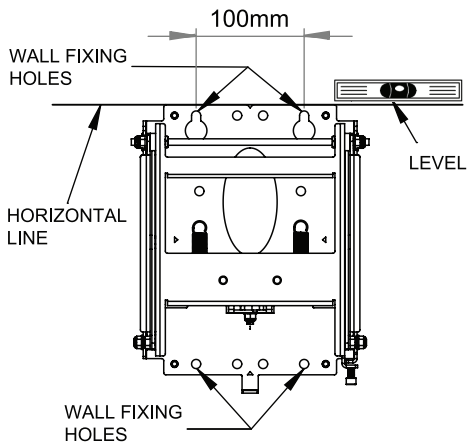
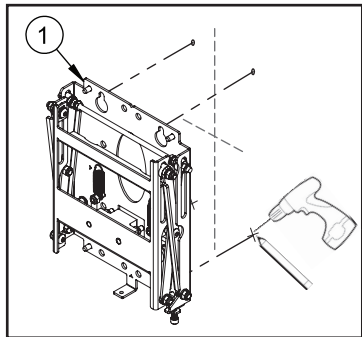
Recess Mounting

- i. Determine the centre of the screen.
- ii. Use screen centre lines to align with centre marks on wall plate.

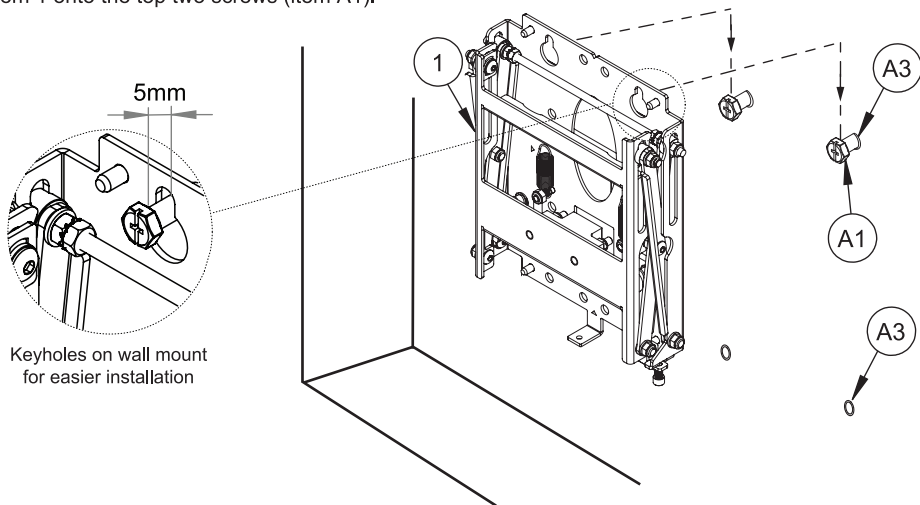
Depth of recess = 58mm* + Depth of screen.
*Add 4mm if VESA 200 adaptor arms (item 4) are used.



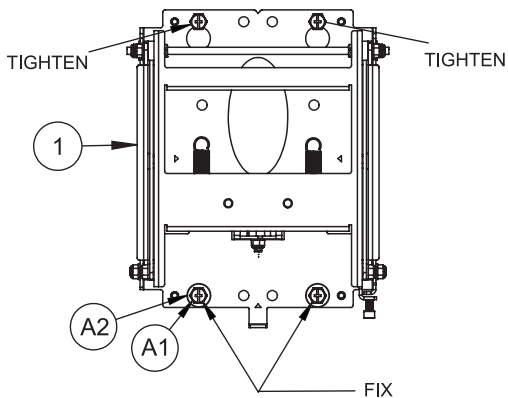
iii. Mark and drill holes to insert 4 x item A3.



iv. Screw 2 x item A1 in the top two holes.
 Do not fully tighten - allow a 5mm gap to hook on item 1.
 Hook item 1 onto the top two screws (item A1).



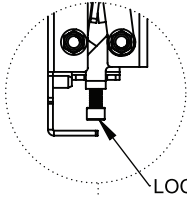
v. Screw in 2 x items A1 & A2 in the bottom wall fixing holes and fully tighten top two screws.



4

Hook Screen onto Wall Mount

Loosen locking screw on item 1 and hook the flat screen onto the wall bracket.
Ensure safety screws on items 2 & 3 are in the unlocked position.

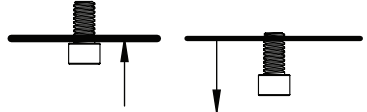


LOCKING SCREW

ATTENTION!

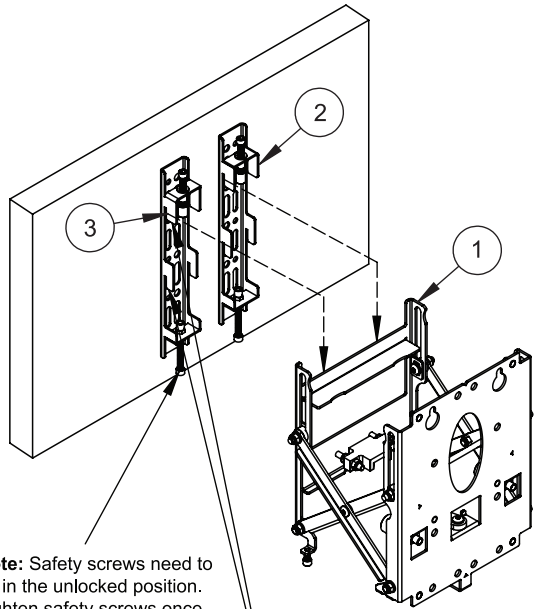
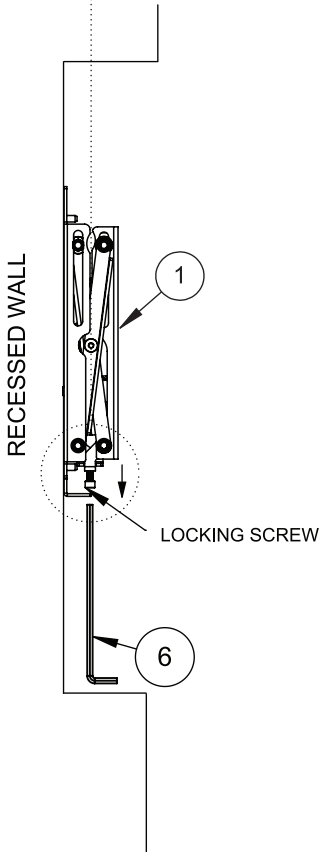
ENABLE POP-OUT FUNCTION

Loosen locking screw
to enable pop-out function on the bracket.
To use locking screw - see page 13



Locked Position

Open Position



Note: Safety screws need to be in the unlocked position. Tighten safety screws once the flat screen is mounted.

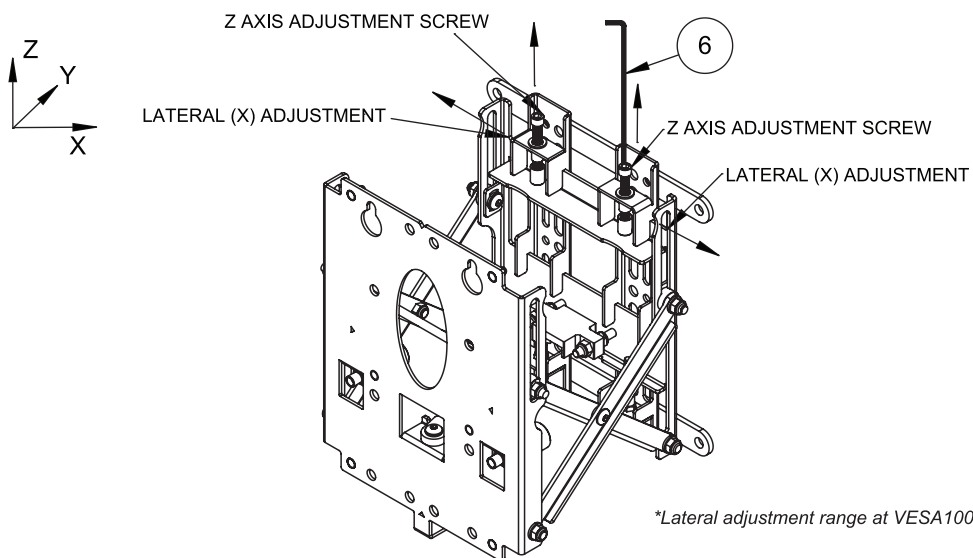
Important: Ensure both top and bottom hooks are properly mounted on the hook plate

5

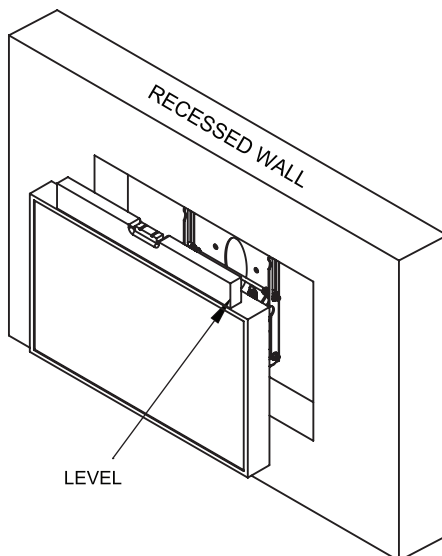
Screen Height and Lateral Adjustment

Total X axis adjustment is +/-16mm*

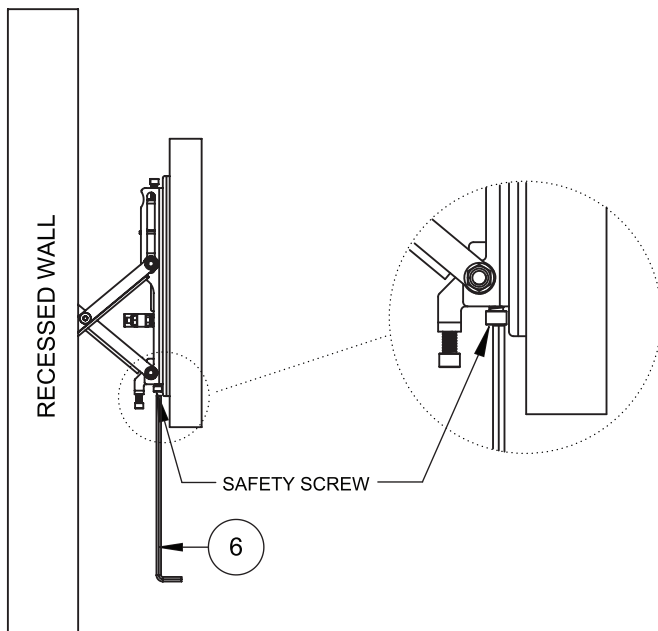
Total Z axis adjustment is +12mm



- i. Check the horizontal centre of the flat screen is aligned with the horizontal centre of the wall mount.
- ii. Using a level, align the flat screen parallel to the floor using the Z axis adjustment screws and item 6.
- iii. Laterally adjust by sliding the screen along the hook plate left or right.

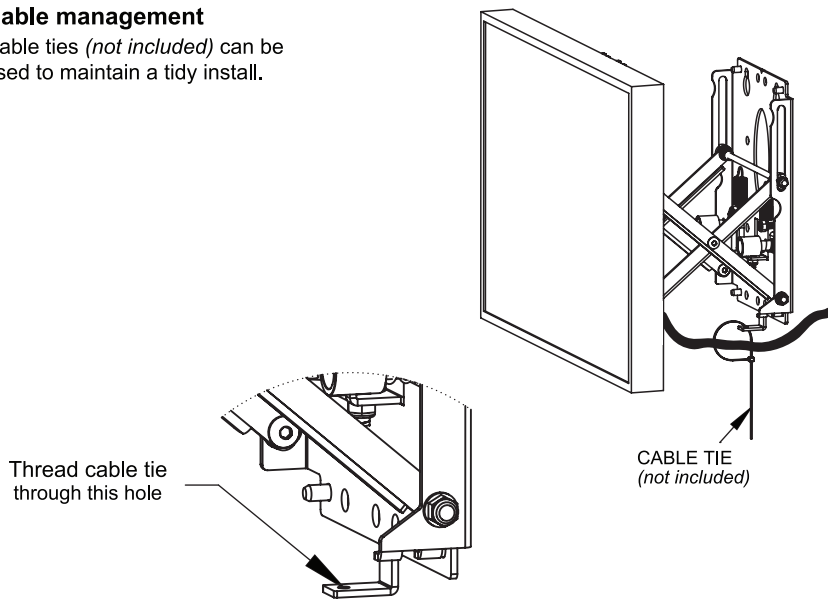


iv. When the screen is positioned correctly, tighten the safety screws on items 2 & 3 which were previously loosened (step 1).



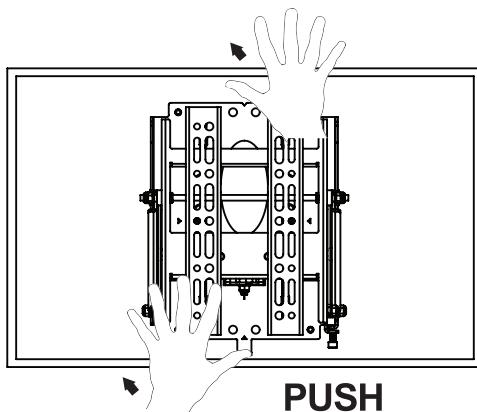
Cable management

Cable ties (*not included*) can be used to maintain a tidy install.



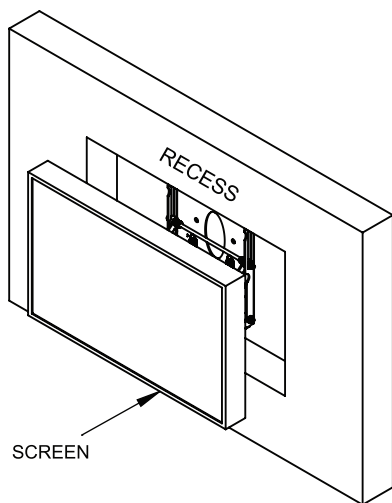
Servicing the Flat Screens

- i. To service the flat screen, push the screen and the mount will release and move out from the wall. Be careful not to damage the screen when pushing. Keep hold of the screen as it moves outwards.

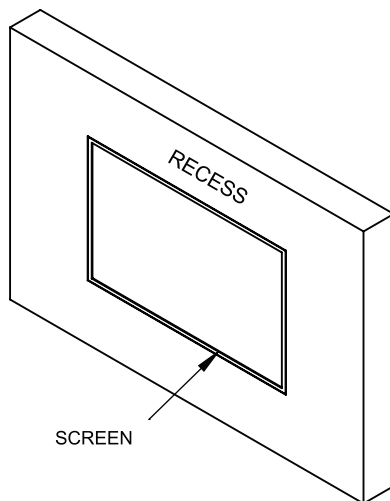


Note: Push at the top and bottom of the screen on the bezel. To avoid any screen flexing (and when spacers have been used) apply light pressure in-line with the interface arms, pushing alternative arms at the top and bottom.

- ii. Screen shown in the service position.



- iii. When servicing is complete, push the screen back and click into place.



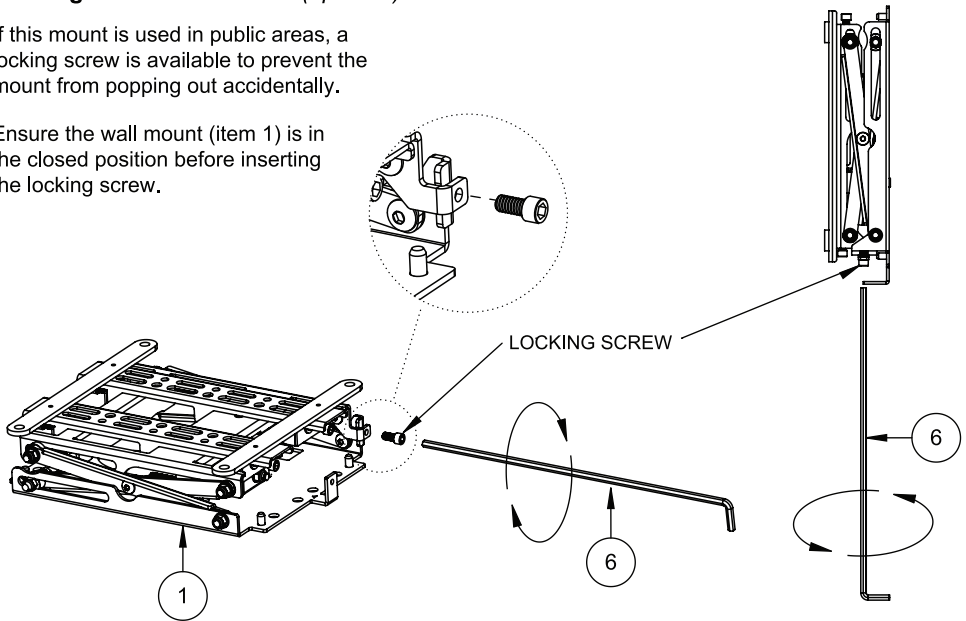
Note: If the pop-out function of the bracket is not operating, check that the locking screw has not been engaged - see page 13.

INSTALLATION OPTIONS

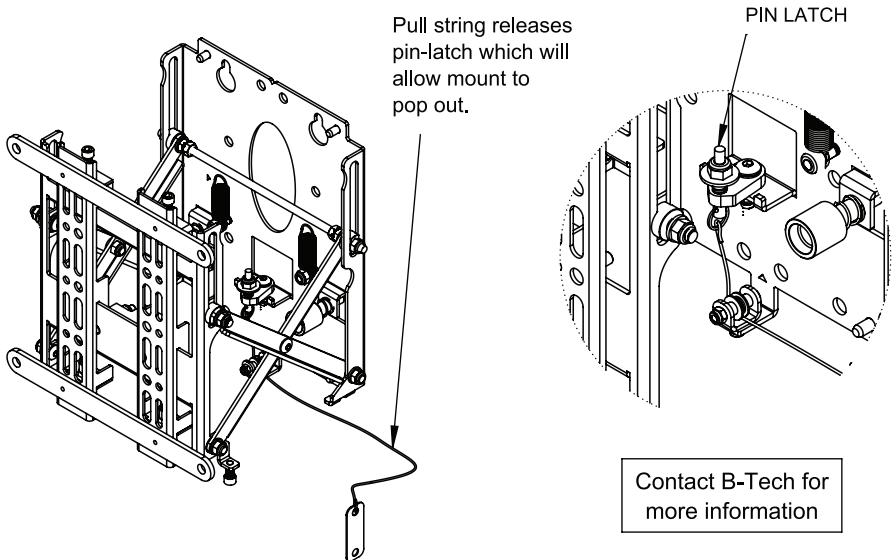
Locking Screw Installation *(optional)*

If this mount is used in public areas, a locking screw is available to prevent the mount from popping out accidentally.

Ensure the wall mount (item 1) is in the closed position before inserting the locking screw.



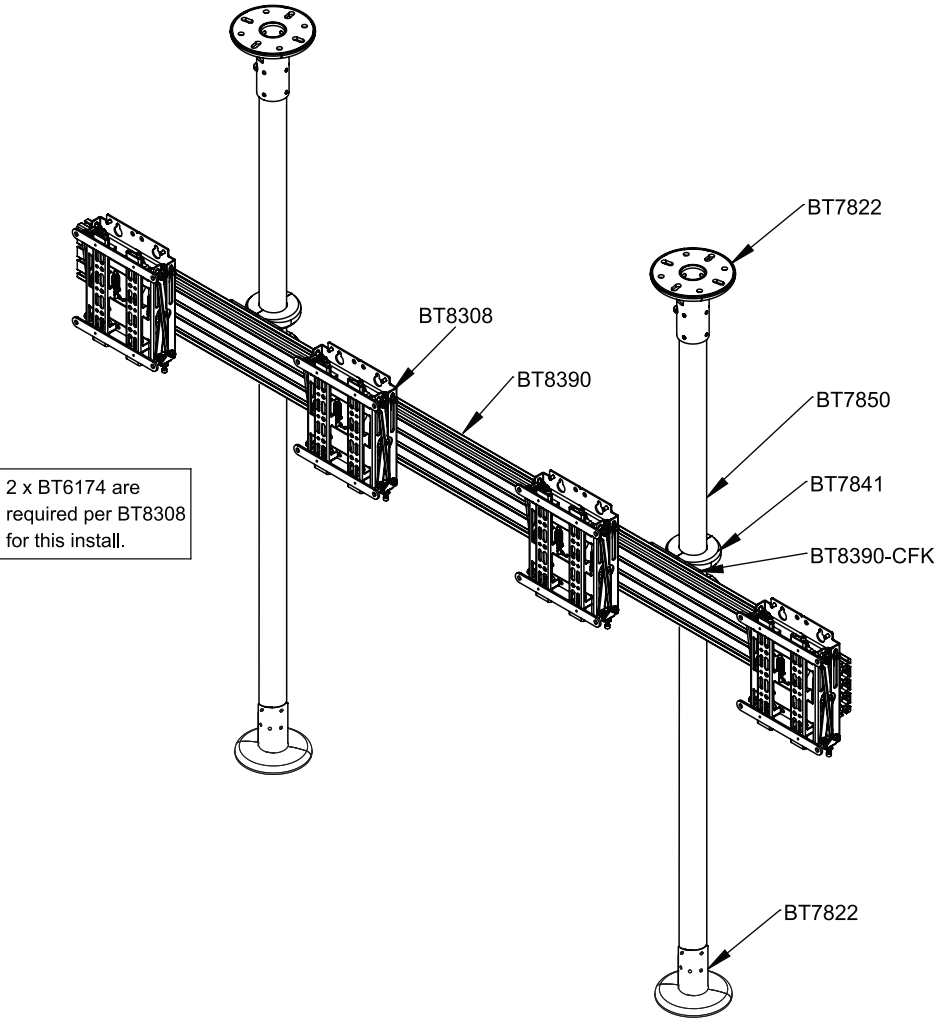
Pull to release system available on request if you do not wish to push on screens to pop out for servicing.



ALTERNATIVE INSTALLATION EXAMPLES

Horizontal Rail

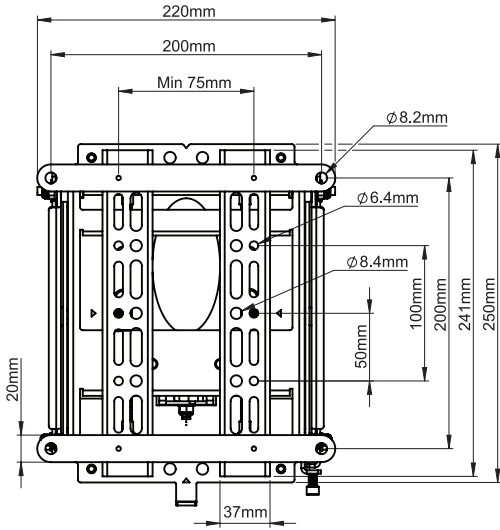
System X - Floor to Ceiling Installation



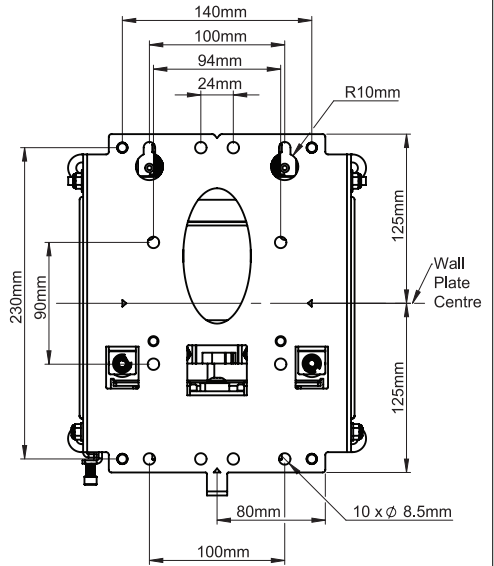
2 x BT6174 are required per BT8308 for this install.

BT8308 PRODUCT DIMENSIONS

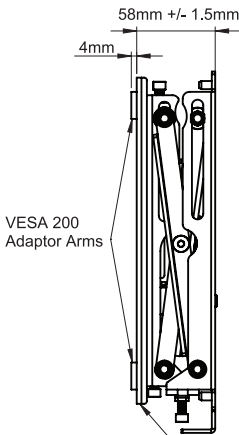
Front View



Rear View

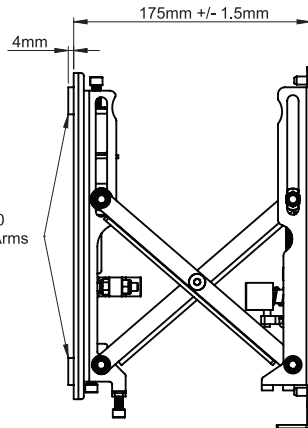


Side View - Popped In



VESA 200
Adaptor Arms

Side View - Popped Out



VESA 200
Adaptor Arms

Interface arms are set at the lowest point.
Height adjustment range: 12mm

THESE INSTRUCTIONS ARE INTENDED AS A GUIDE ONLY AND B-TECH ACCEPTS NO LIABILITY FOR THE ACCURACY OF THE INFORMATION CONTAINED IN THIS DOCUMENT.



www.btechavmounts.com

B-TECH AV MOUNTS

HEAD OFFICE

B-Tech International Limited

Bennett House, Long March, Daventry, Northants., NN11 4NR, UK

Email: info@btechavmounts.com

©2018 B-Tech International Design and Manufacturing Limited. All rights reserved.
B-Tech AV Mounts is a division of B-Tech International Design and Manufacturing Limited.
B-Tech, Better By Design & System X are registered trademarks of B-Tech International Design and Manufacturing Limited.
All other brands and product names are trademarks of their respective owners.
Photographs are for illustrative purposes only. E&OE.