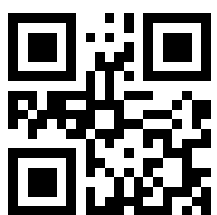
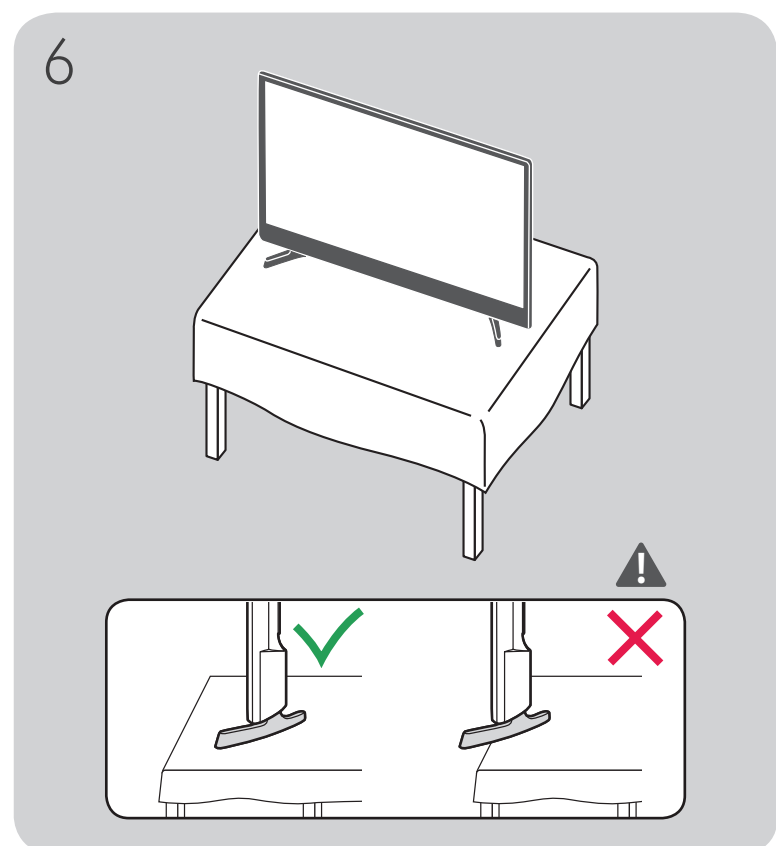
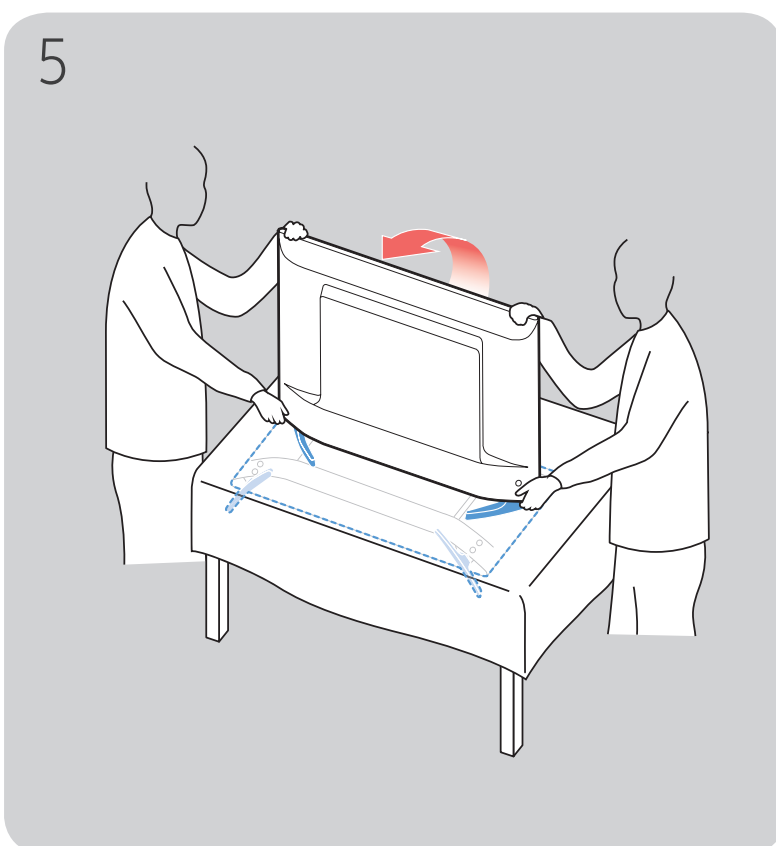
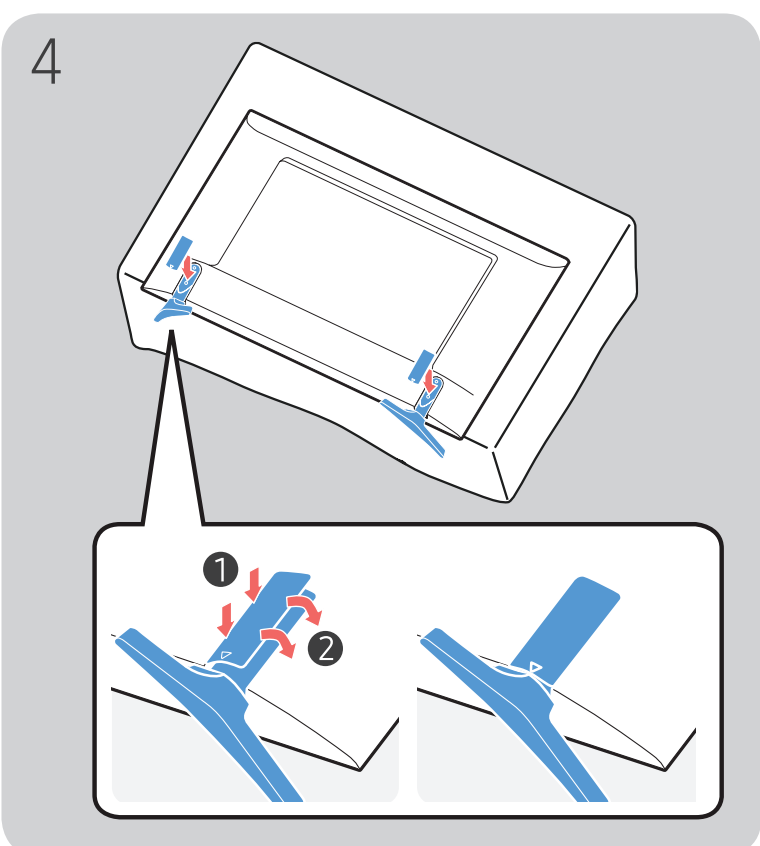
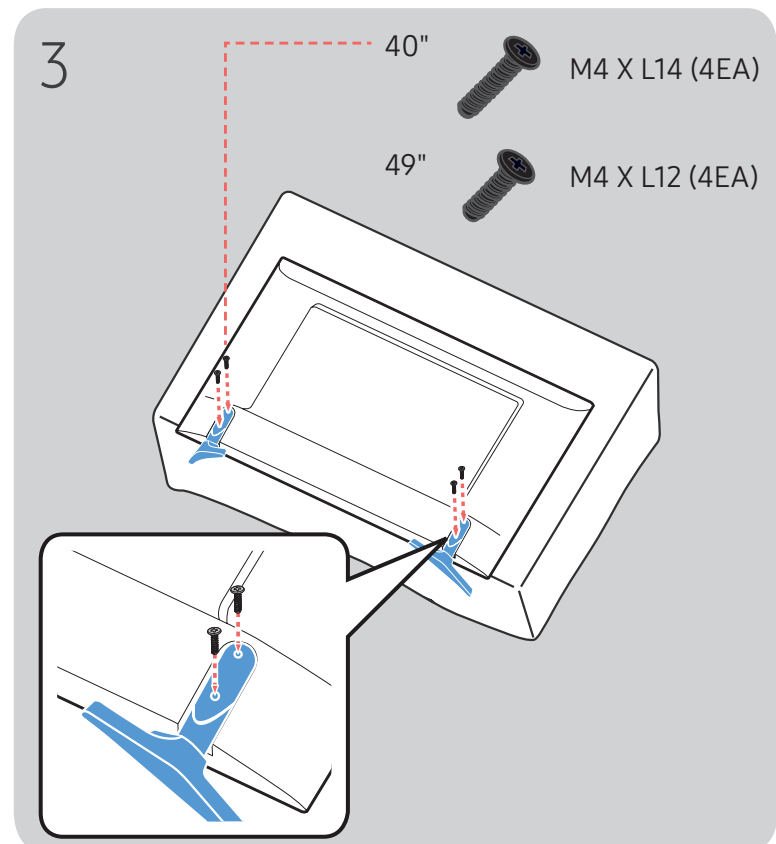
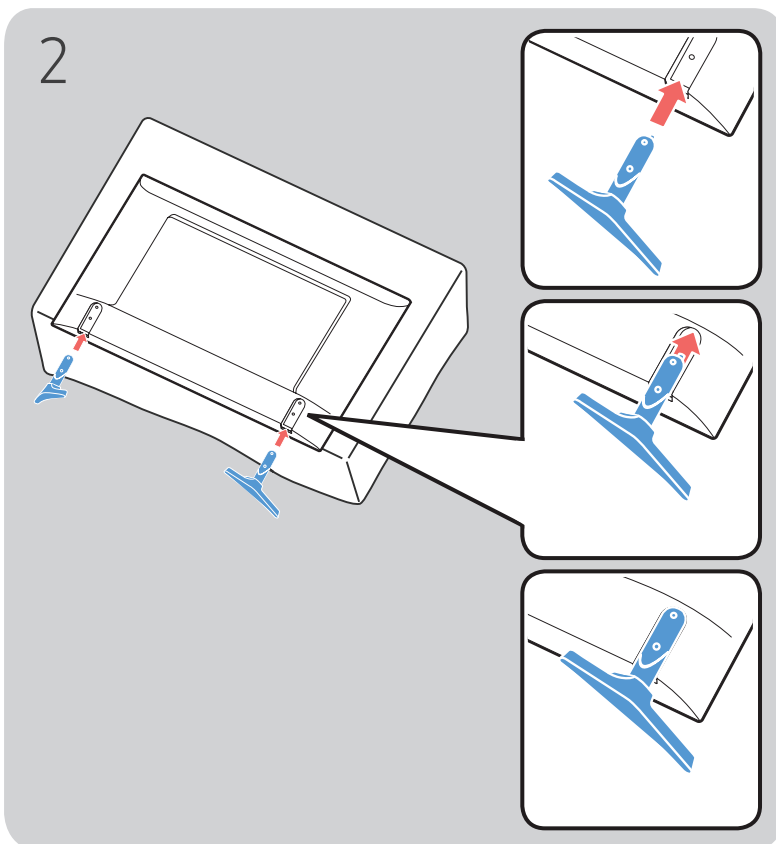
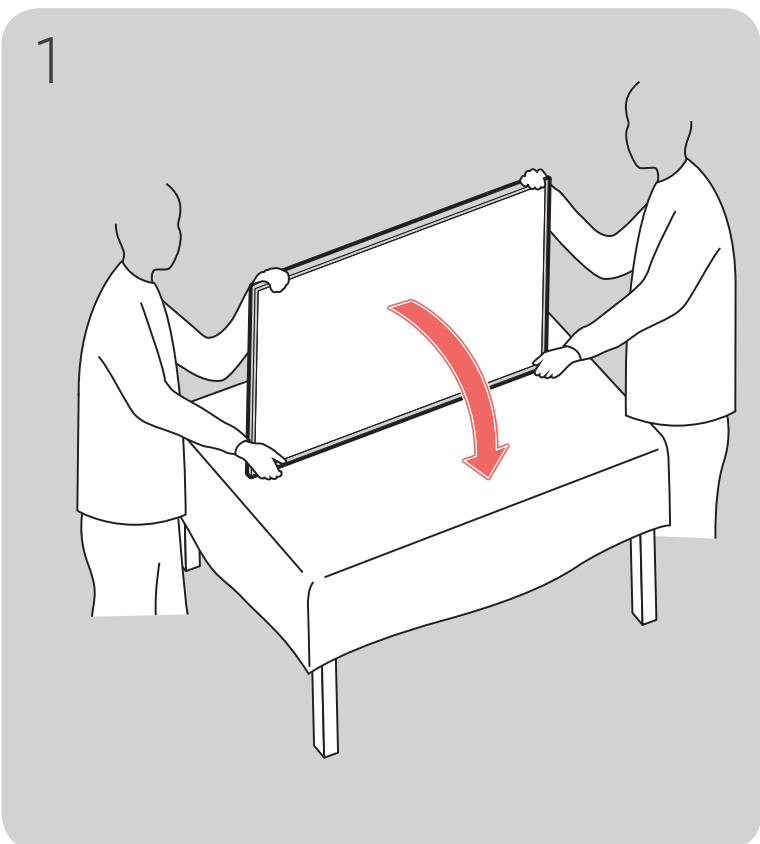
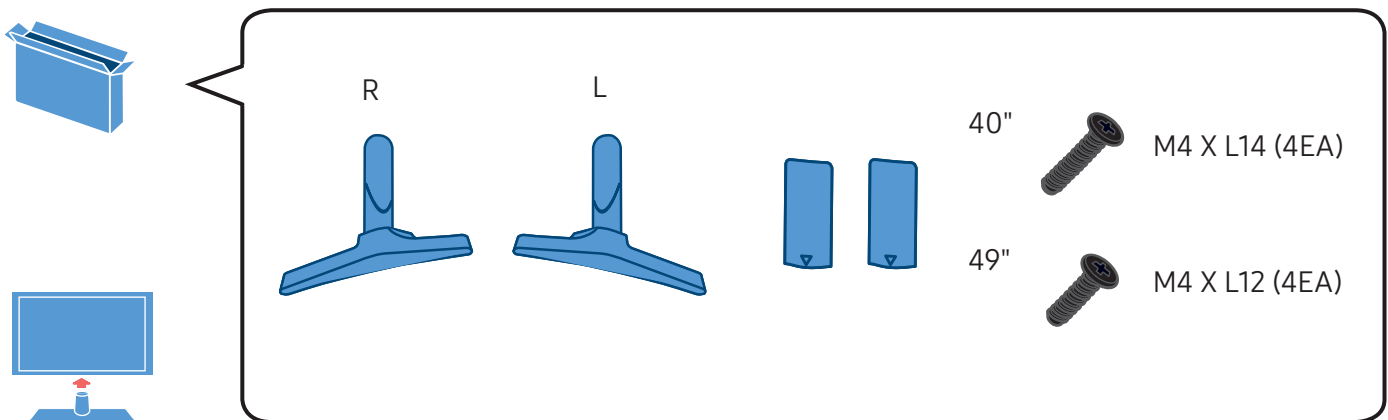


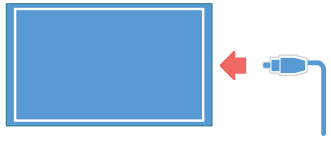
QUICK SETUP GUIDE

SAMSUNG



BN68-05018L-01





PC/DVI

HDMI IN 2
(PC/DVI)

USB (5V 0.5A)

STB

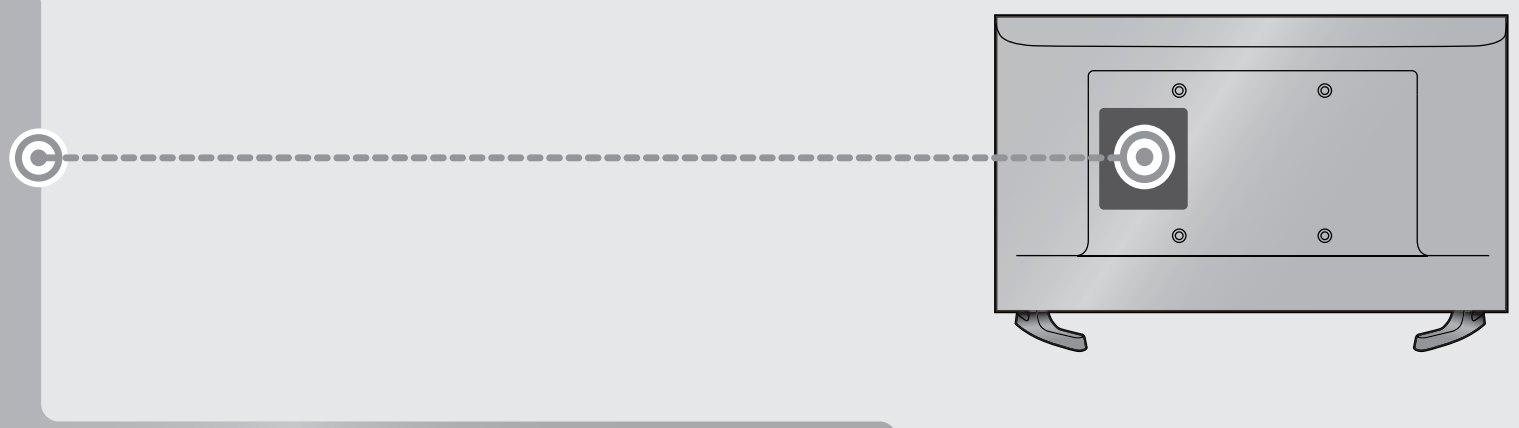
HDMI IN 1
(STB)

COMMON
INTERFACE

ANTENNA

SATELLITE
13/18V 0.4A

AIR/CABLE



DIGITAL
AUDIO OUT
(OPTICAL)

COMPONENT / AV IN

VIDEO

FB

FR

AUDIO L R