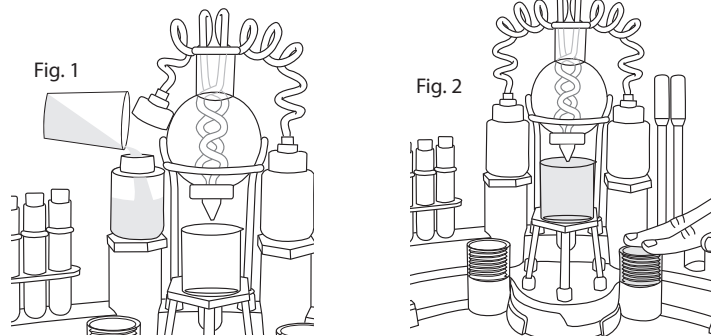


CLEANING INFORMATION

- Thoroughly rinse and air dry all atomizers and pipettes before storing.
- Twist off the containers and tubes. Rinse out the containers thoroughly.
- Reinstall them onto the playset and refill them with water (Fig 1).
- Place the tubes back into the containers and pump the water through the tubes until the tubes are thoroughly rinsed (Fig 2).
- Air dry all pieces thoroughly in a well-ventilated area. Do not store the unit with moisture in the tubing or containers.



IMPORTANT INFORMATION

- For use under adult supervision.
- Keep out of reach from young children and pets.
- Keep away from eyes. Do not spray into eyes or face.
- Cosmetics are for external use only.
- Some perfume may drip from the round flask nozzle after pumping. Keep the beaker underneath to catch any drips.
- Rinse out all components with water and dry with a cloth. Air dry completely before storing.
- If skin irritation occurs from the perfume, discontinue use. Seek medical advice if necessary.
- Do not use included scents by themselves. Always dilute with water (one drop of fragrance for at least every ten drops of water) before using on your skin.
- Perfume mixture should be used in the same day as it is made. Not recommended for overnight storage.

Download our free iOS apps:



Follow us:



Watch on:



Kids, ask your parents to download the Project Mc²™ apps, available on iOS devices through the app store :

- Click on the App Store icon on your iOS device.
- Click "Search" on your mobile device and type in "Project Mc2"
- Once the correct app names come up on the screen, tap on the word "get."
- You may be asked for your Apple ID. If so, enter your ID or follow the instructions on screen to get one.
- Once your ID is accepted, watch the download status until the downloads are complete.
- The application icons should appear on your device. Tap the icon to activate the apps.

The Project Mc²™ apps require iOS 6.1 or later. Compatible with iPod Touch® 4, iPhone® 4 and iPad® 2 or later versions. Data rates may apply.

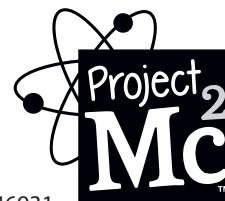
Please keep this manual as it contains important information.



0617-2-E

www.projectmc2.com
 © 2017 MGA Entertainment, Inc.
 PROJECT MC²™ is a trademark of MGA
 in the U.S. and other countries. All
 logos, names, characters, likenesses,
 images, slogans, and packaging
 appearance are the property of MGA.
 16300 Roscoe Blvd.
 Van Nuys, CA 91406 U.S.A.
 (800) 222-4685
Printed in China

The preferred method of contact for
 Customer Service is through our e-mail
 contact form at www.mgae.com



SKU: 546931

PERFUME MAKER

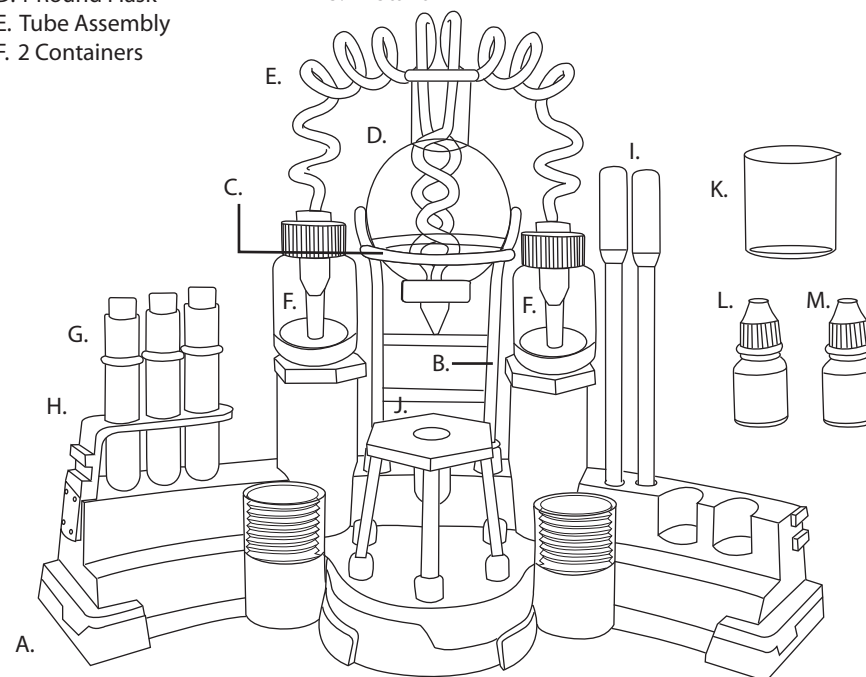
6+ YEARS

WARNING:
 CHOKING HAZARD—Small parts.
 Not for children under 3 years.

ADULT SUPERVISION REQUIRED

CONTENTS

- | | | |
|------------------|------------------------|-------------------|
| A. 1 Base | G. 3 Perfume Atomizers | K. 1 Beaker |
| B. 1 Support | H. 1 Atomizer Stand | L. 1 Violet Scent |
| C. 1 Ring | I. 2 Pipettes | M. 1 Poppy Scent |
| D. 1 Round Flask | J. 1 Stand | |
| E. Tube Assembly | | |
| F. 2 Containers | | |



Illustrations are for reference only. Styles may vary from actual contents.

YOUR HOUSEHOLD ITEMS

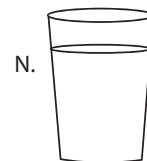
(Not Included)

Ask an adult to help you gather all the household items needed and supervise during the experiment.

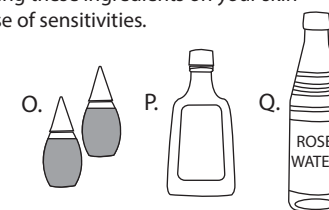
OPTIONAL

Ask an adult before using these ingredients on your skin in case of sensitivities.

N. Distilled Water

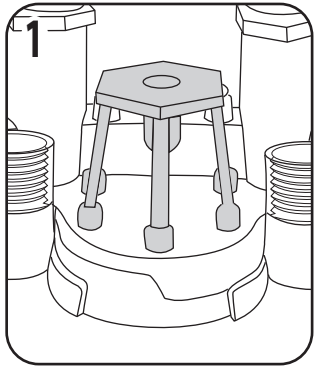


- O. Food Coloring
- P. Baking Extracts (like Lemon or Vanilla)
- Q. Rose Water

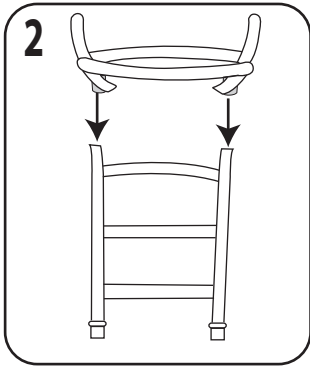


ASSEMBLY

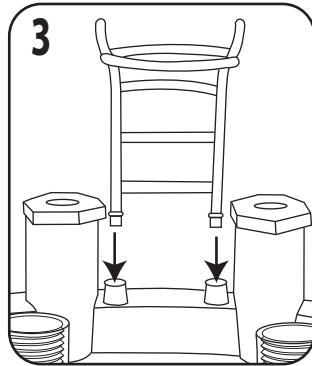
NOTE: Before beginning, cover the play area to prevent possible damage.



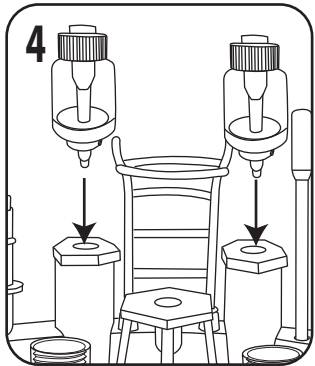
Press the stand onto the base.



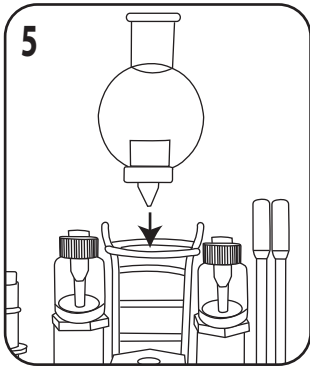
Press the ring onto the support.



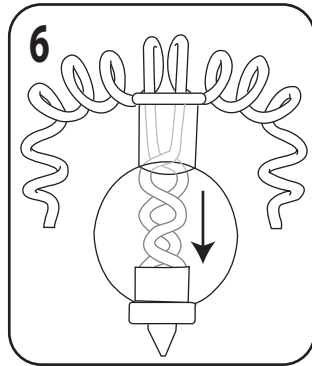
Insert the support posts into the perfume making kit with the arch curving toward the front of the playset.



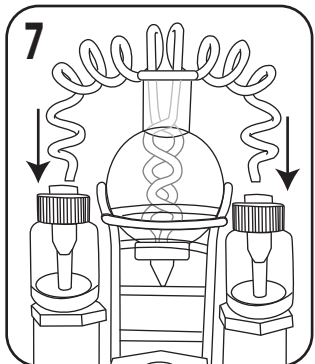
Insert the containers into the openings on the pedestals and twist to lock in place.



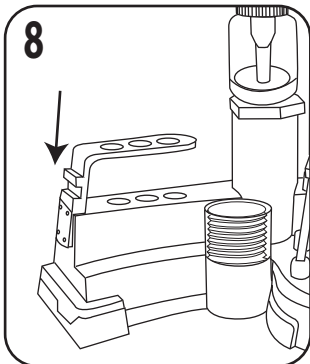
Place the round flask in the support assembly.



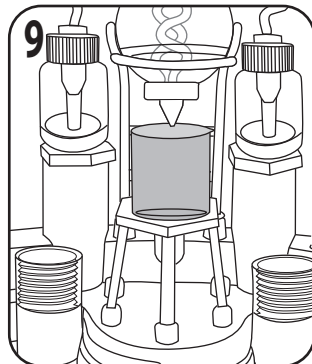
Insert the mixing tubes fully into the round flask.



Insert the tubes on the mixing assembly into the containers.

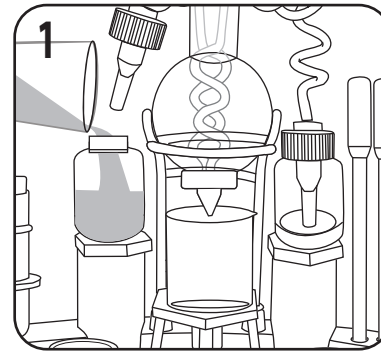


Insert the atomizer holder into the base.

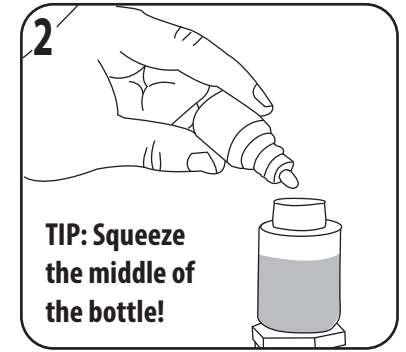


Place the beaker or one atomizer on the platform in the center of the playset.

MAKING PERFUME



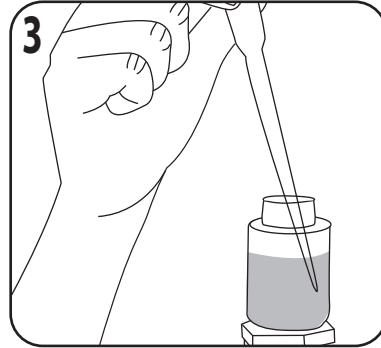
Twist off the tops of each container and fill them with distilled water. If desired, add one drop of food coloring for a fun fragrance color!



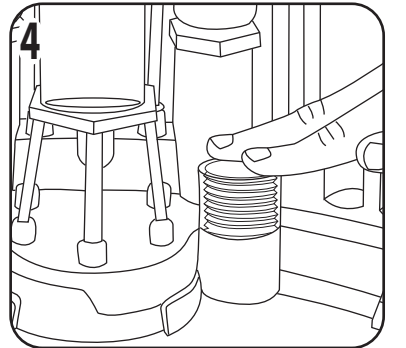
TIP: Squeeze the middle of the bottle!

Squeeze in two drops of one scent into each container and mix thoroughly. You can also add your own scents like baking extracts! Ask an adult before experimenting with ingredients.

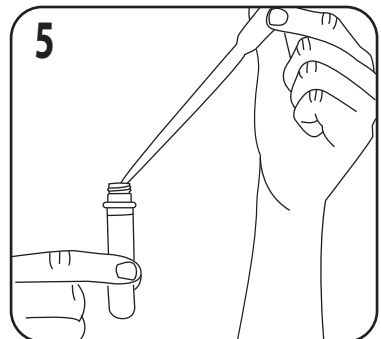
Hint: Add one drop of fragrance for at least every ten drops of water.



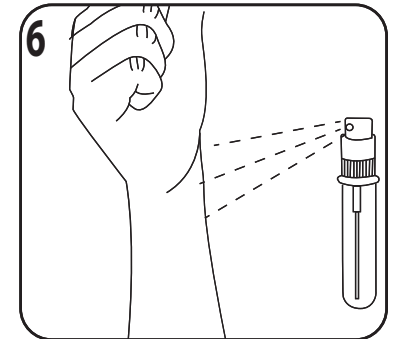
Stir the mixture with a pipette to combine all ingredients.



Close the containers and press down on each pump according to your liking to create a custom-blended scent!



Insert a pipette into the beaker and squeeze the top to gather perfume. Then, insert the pipette into an atomizer and squeeze to release the perfume.



Twist on the atomizer spray cap, and you're ready to wear your unique perfume!