

Dell Pro Stereo Sound Bar with bracket - AE515M

User's Guide



Regulatory Model: AE515

Notes, cautions, and warnings



NOTE: A NOTE indicates important information that helps you make better use of your computer.



CAUTION: A CAUTION indicates either potential damage to hardware or loss of data and tells you how to avoid the problem.



WARNING: A WARNING indicates a potential for property damage, personal injury, or death.

Copyright © 2018 Dell Inc. All rights reserved. This product is protected by U.S. and international copyright and intellectual property laws. Dell™ and the Dell logo are trademarks of Dell Inc. in the United States and/or other jurisdictions. All other marks and names mentioned herein may be trademarks of their respective companies.

2018 – 05

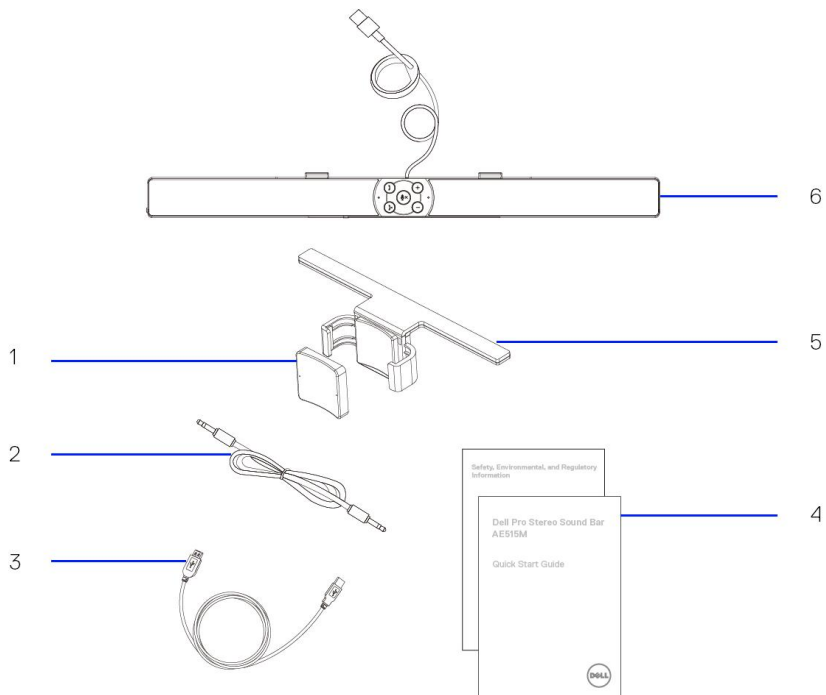
Rev. A00

Contents

What's in the box.....	4
Features	5
Setting up your sound bar	6
Installing the sound bar to your Dell monitor	6
Turning on your sound bar.....	9
Connecting your sound bar	10
Audio-in port	10
Headphone jack.....	11
Answering Skype for Business calls	12
Making Skype for Business calls.....	13
Adjusting the volume.....	14
Troubleshooting	15
Specifications.....	18
Statutory information.....	19
Warranty	19

What's in the box

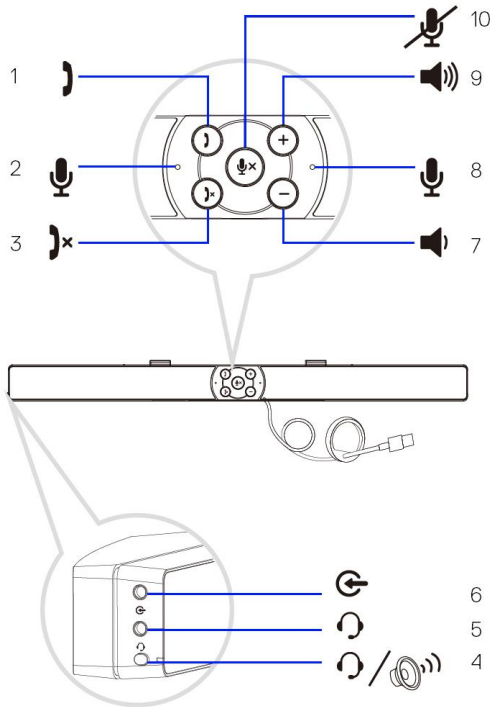
 **NOTE:** The documents that are shipped with the sound bar may vary based on your region.



- 1 Thick rubber cushion
- 3 USB cable
- 5 Bracket

- 2 Audio cable
- 4 Documents
- 6 Sound bar

Features



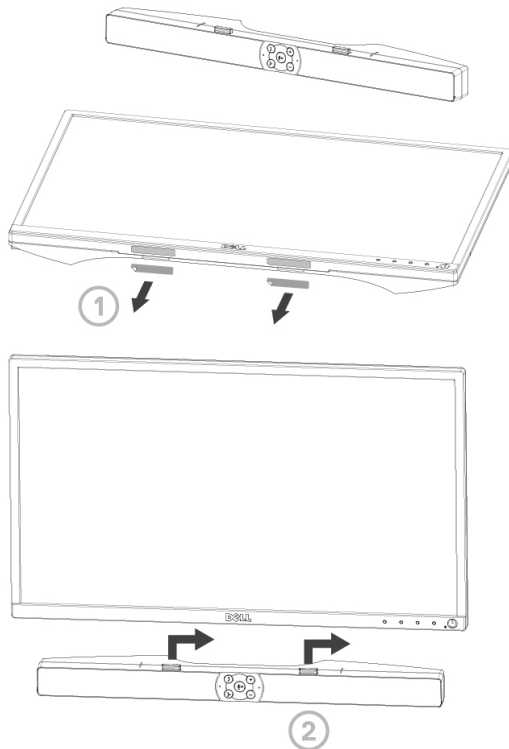
- | | | | |
|---|--------------|----|-------------------------|
| 1 | Call pick up | 2 | Microphone |
| 3 | Call hang up | 4 | Default playback button |
| 5 | Headphone | 6 | Aux-in |
| 7 | Volume down | 8 | Microphone |
| 9 | Volume up | 10 | Mic mute |

Setting up your sound bar

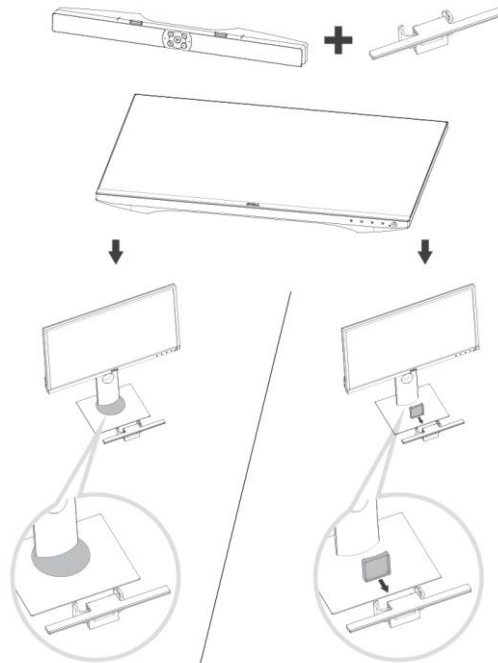
Installing the sound bar to your Dell monitor

Without bracket

- 1 Align the tabs on the sound bar to the slots on the monitor base.
- 2 Slide the sound bar to the right to secure the sound bar onto the monitor base.



With bracket

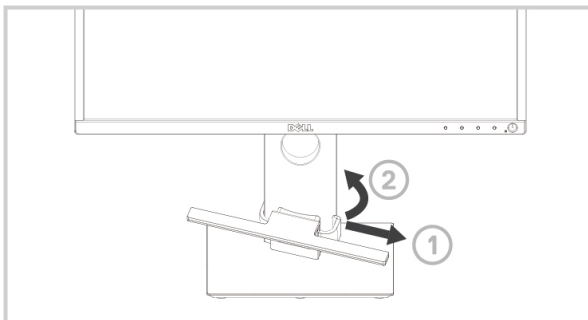


- 1 Pull the bracket's clamp.

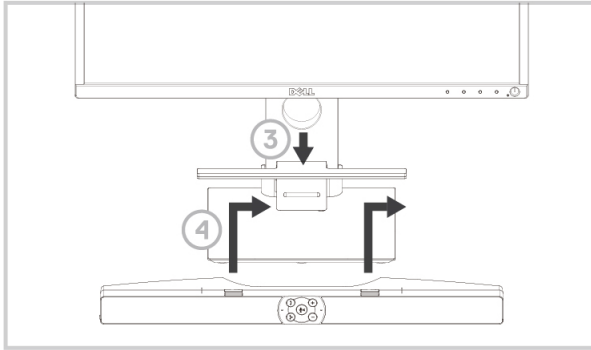


NOTE: Use the thick rubber cushion between the bracket and the non-swivel base monitor stand.


- 2 Secure the bracket to the monitor stand.




- 3 Push the bracket down to align it with the stand base.
- 4 Align the tabs on the sound bar with the slots on the bracket. Slide the sound bar to the right to secure the sound bar to the bracket.

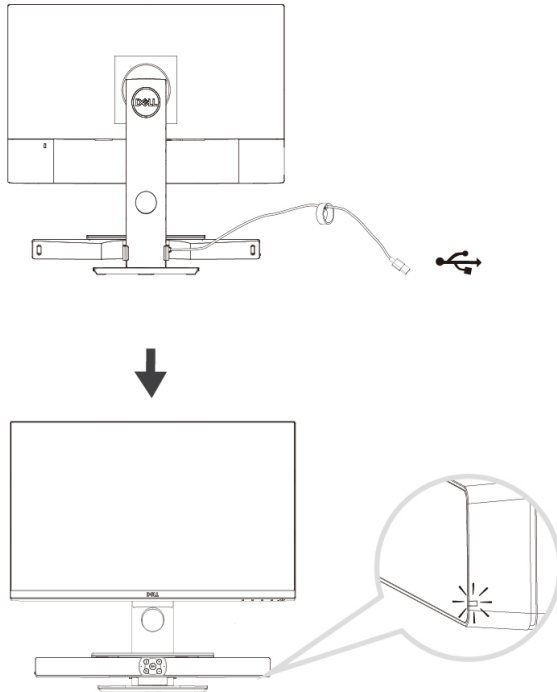


Turning on your sound bar

-  **NOTE:** If the sound bar is not detected, connect the uplink cable that came with your Dell monitor. Connect one end of the uplink cable to the USB port on the Dell monitor and the other end to the USB port on your Dell computer.

Connect the USB cable of the sound bar to the USB port of the Dell monitor.

-  The sound bar turns on automatically when the computer is turned on. The light on the right side of the sound bar turns solid white.



Connecting your sound bar

Use the audio in or aux-in jack to connect your audio device such as tablet or smartphone to your Dell sound bar.

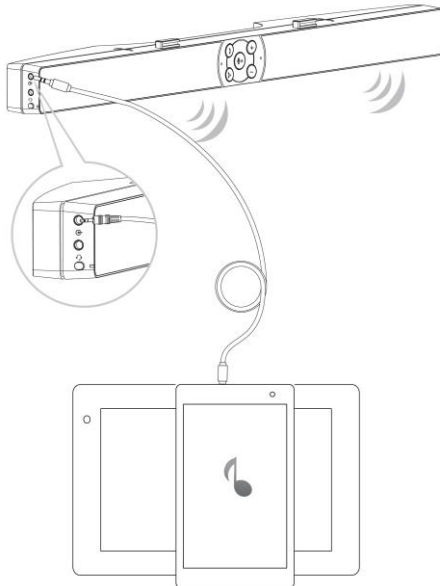
Audio-in port

You can play audio using the audio-in cable that came with your sound bar.

1. Connect the audio-in cable to the aux-in port on the left side of the sound bar.
2. Connect the other end of the audio-in cable to your audio device.
3. Play music and adjust the volume as desired.



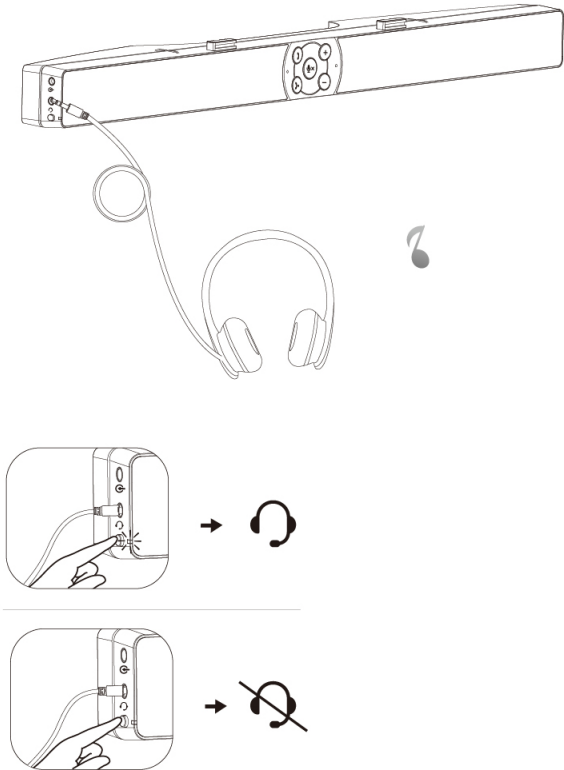
NOTE: When audio in is the default playback device, the light on the microphone button turns solid red. The sound bar microphone cannot be used in this playback mode.



Headphone jack

- 1 Connect the headphone to the headphone jack on the sound bar.
- 2 Play music and adjust the volume as desired.
- 3 Press the Default playback button on the left side of the sound bar to toggle between the speaker and headphone.

 **NOTE: The Default playback button is disabled when the headphone is not connected to the sound bar.**



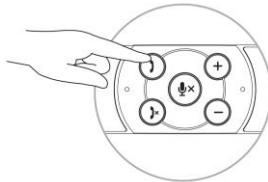
Answering Skype for Business calls

- 1 Press the Call pick-up button.

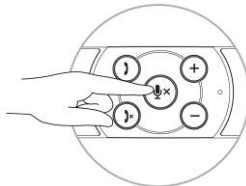


NOTE: The light indicator on Call pick-up button blinks when there is an incoming call on Skype for Business and other supported software.

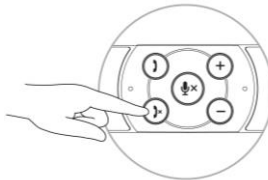
- 2 Press the Call hang-up button to end the call.
- 3 Press the Mic mute button to mute the microphone on the sound bar. Pressing the Mic mute button again will remove mute from the microphone on the sound bar.



Answering a call



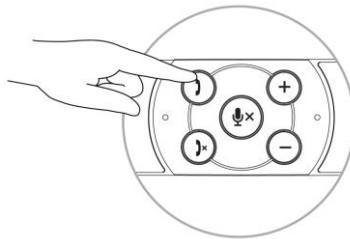
Muting the mic



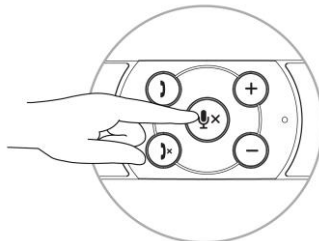
Hang-up the call

Making Skype for Business calls

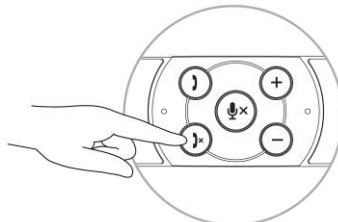
- 1 Press the call button to open up Skype for Business.
- 2 Initiate a call through the Skype for Business application on your computer.
- 3 Press the Call hang-up button to end the call.
- 4 Press the Mic mute button to mute the microphone on the sound bar. Pressing the Mic mute button again will remove mute from the microphone on the sound bar.



Making a call



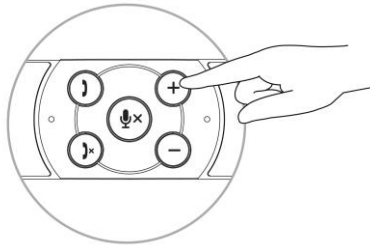
Muting the mic



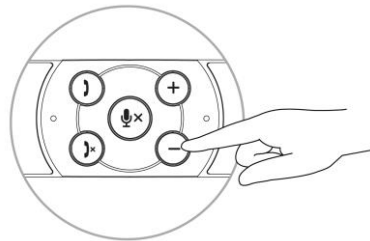
Hang-up the call

Adjusting the volume

- 1 Press the + button to increase the volume. A soft dual tone can be heard when the sound bar is at the maximum volume.
- 2 Press the – button to reduce the volume. A soft single tone can be heard when the sound bar is at the minimum volume.



Increase the volume



Reduce the volume

Troubleshooting

Problems	Possible causes	Possible solutions
No sound	No sound from the external audio source	<ul style="list-style-type: none">• Check if the 3.5 mm aux-in cable is inserted in the sound bar aux-in port.• Disconnect the 3.5 mm aux-in cable from the aux-in jack and insert the cable again.• Check if the audio source is turned on.• Ensure that the audio device volume is not set to 0%.• Try a known good speaker or audio source.
Abnormal sound	Distorted or buzzing sound	<ul style="list-style-type: none">• Clear any obstructions between the sound bar and the user.• In aux-in mode, ensure that the 3.5 mm plug is completely inserted on the aux-in port of the sound card.• Decrease the volume of the audio application or music player.• Turn the volume level to lower setting by pressing the – button on the sound bar.• Test the sound bar using another audio source (for example, a portable CD player or an MP3 player).
Unbalanced sound output	Sound is coming from only one side of the sound bar	<ul style="list-style-type: none">• Clear any obstructions between the sound bar and the user.• In aux-in mode, ensure that the 3.5 mm plug is completely inserted in the aux-in port of

		<p>the sound bar or audio source.</p> <ul style="list-style-type: none"> • Set the Windows audio balance controls for left and right speaker. • Clean and reconnect all cables. • Test the sound bar using another audio source such as a portable CD player or an MP3 player.
Low volume	Volume is too low	<ul style="list-style-type: none"> • Clear any obstructions between the sound bar and the user. • Turn the volume to a higher level by pressing the + button on the sound bar. • Set all Windows volume controls to their maximum. • Increase the volume of the audio application. • Test the sound bar using another audio source such as a portable CD player or an MP3 player.
Aux-in no sound	No sound using the aux-in mode	<ul style="list-style-type: none"> • Ensure that the aux-in cable is properly connected to the sound bar aux-in port and to the aux-out jack of the audio device. • Try a known good aux-in cable. • Check if the audio device is turned on or is playing music. • Ensure that the audio device volume is not set to 0%. • Try a known good speaker or audio source.
Aux-in distortion	Aux-in cable is not properly plugged in	<ul style="list-style-type: none"> • Clear any obstructions between the sound bar and the user.

Headphone jack is connected, but no sound is heard

Computer audio player is playing

- Ensure that the aux-in plug is completely inserted into the aux-out port of the audio source.
- Decrease the volume of the audio source.
- Turn the volume level to a lower setting by pressing the – button on the sound bar.
- Clean and reseat the cables.
- Make sure no loose objects are touching the sound bar.

Headphone abnormal sound

Audio distortion

- Ensure that the platform music player audio volume is not set to 0%.
- Increase the volume of the sound bar.
- Press the default playback function button on the sound bar.
- Check if the headphone plug is properly inserted into the sound bar headphone jack.
- Check if the headphone plug has intermittent connection.
- Check if the music file is not distorted when playing without the headphone or connected to a known good headphone.

Specifications

General

Model number	AE515/AE515M
Connection type	USB cable Audio cable

Electrical

Operating voltage	5 V
Operating current	500 mA
Audio input	USB Digital Audio input Analog Audio Aux-in (3.5 mm jack)
Output power	2 × 1.8 W at ≤10% THD (USB 3.0) 2 × 1.0 W at ≤10% THD (USB 2.0)
Sound Pressure Level	84 dB ±3 dB

Physical characteristics

Sound bar dimensions:

Width	443 mm (17.441 in)
Height	35 mm (1.378 in)
Depth	60.43 mm (2.379 in)
Weight	440 g (0.97 lb)

Bracket dimensions:

Width	230.11 mm (9.06 in)
Height	56.08 mm (2.21 in)
Depth	63.57 mm (2.50 in)
Weight	74 g (0.16 lb)

Statutory information

Warranty

Limited warranty and return policies

Dell-branded products carry a 3-year limited hardware warranty.

For U.S. customers:

This purchase and your use of this product are subject to Dell's end user agreement, which you can find at www.dell.com/terms. This document contains a binding arbitration clause.

For European, Middle Eastern and African customers:

Dell-branded products that are sold and used are subject to applicable national consumer legal rights, the terms of any retailer sale agreement that you have entered into (which will apply between you and the retailer) and Dell's end user contract terms. Dell may also provide an additional hardware warranty—full details of the Dell end user contract and warranty terms can be found by going to www.dell.com, selecting your country from the list at the bottom of the “home” page and then clicking the “terms and conditions” link for the end user terms or the “support” link for the warranty terms.

For non-U.S. customers:

Dell-branded products that are sold and used are subject to applicable national consumer legal rights, the terms of any retailer sale agreement that you have entered into (which will apply between you and the retailer) and Dell's warranty terms. Dell may also provide an additional hardware warranty—full details of Dell's warranty terms can be found by going to www.dell.com, selecting your country from the list at the bottom of the “home” page and then clicking the “terms and conditions” link or the “support” link for the warranty terms.