



BORN INNOVATIVE

# HOOVER

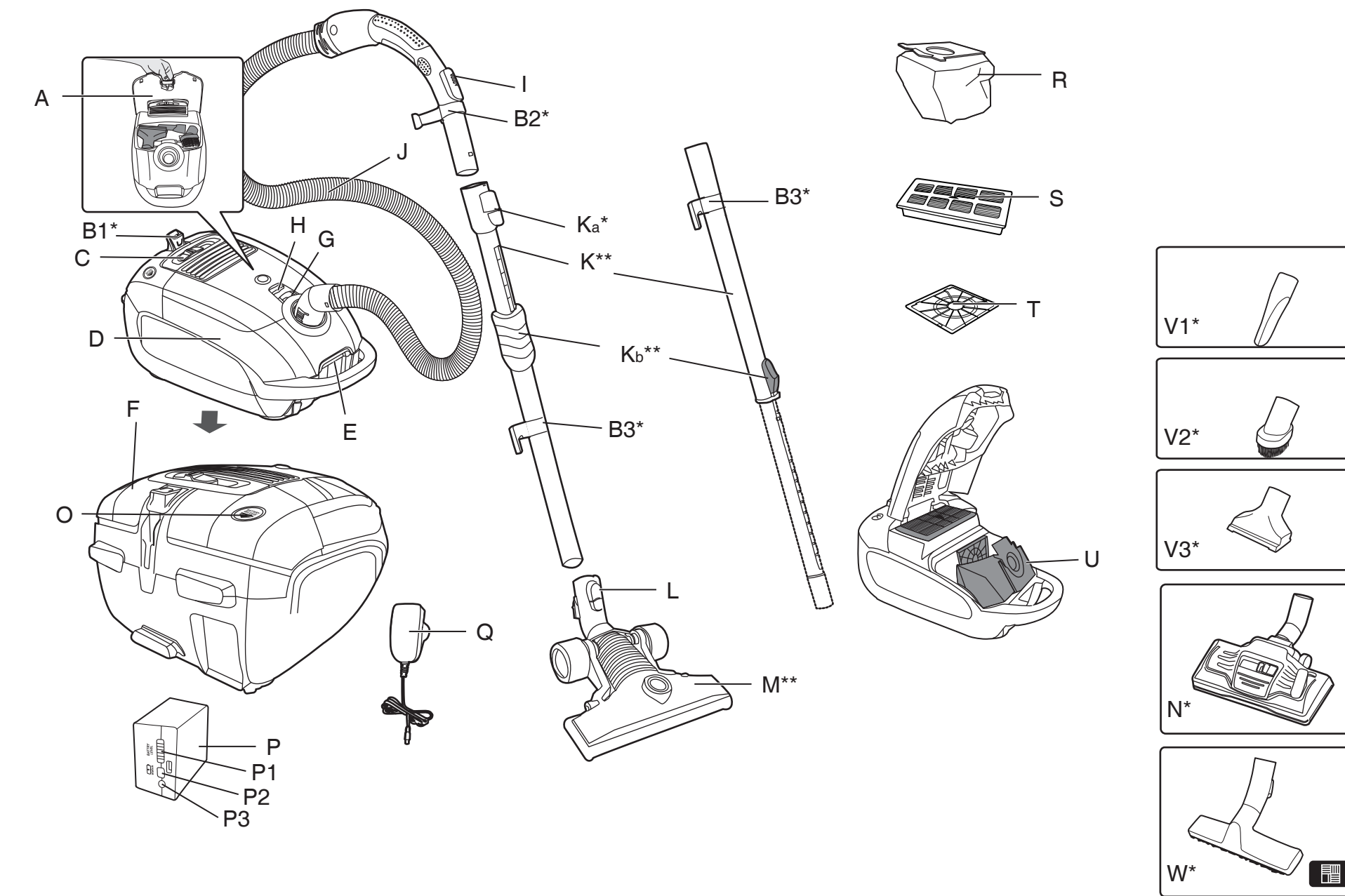


USER MANUAL (GB) .....P 01  
 MANUEL D'UTILISATION (FR) .....P 06  
 BEDIENUNGSANLEITUNG (DE) .....P 11  
 MANUALE ISTRUZIONI (IT) .....P 16  
 GEBRUIKERSHANDLEIDING (NL) .....P 21  
 MANUAL DE INSTRUÇÕES (PT) .....P 26  
 MANUAL DE INSTRUCCIONES (ES) .....P 31  
 BRUGERVEJLEDNING (DK) .....P 36  
 BRUKSANVISNING (NO) .....P 41  
 INSTRUKTIONSMANUAL (SE) .....P 46  
 KÄYTTÖOHJE (FI) .....P 51  
 ΟΔΗΓΙΕΣ ΧΡΗΣΕΩΣ(GR) .....P 56  
 РУКОВОДСТВО ПОЛЬЗОВАТЕЛЯ (RU) .....P 61  
 INSTRUKCJA OBSŁUGI (PL) .....P 66  
 NÁVOD K OBSLUZE (CZ) .....P 71  
 NAVODILA ZA UPORABO (SI) .....P 76  
 KULLANIM KILAVUZU(TR) .....P 81  
 HASZNÁLATI ÚTMUTATÓ(HU).....P 86

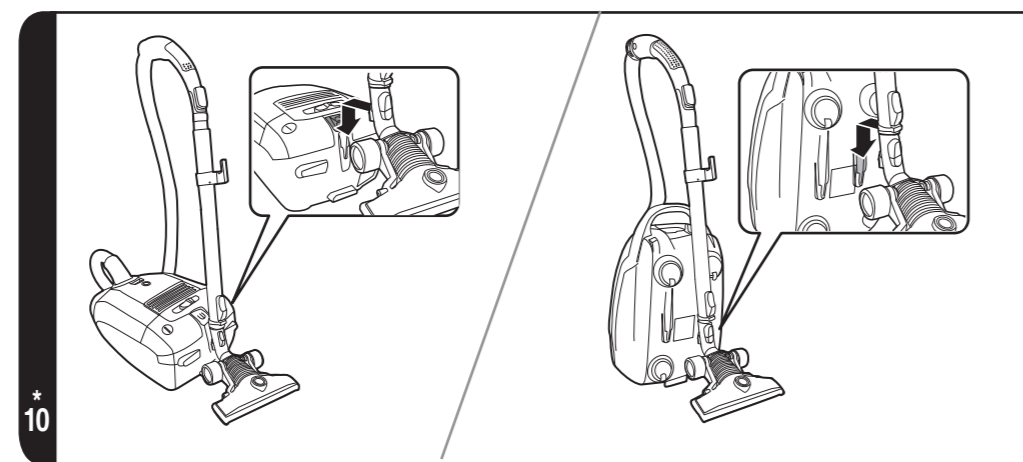
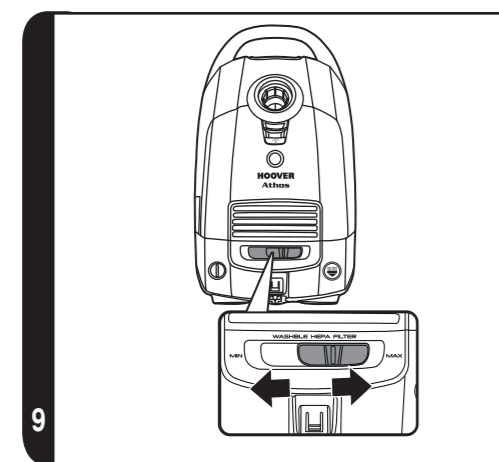
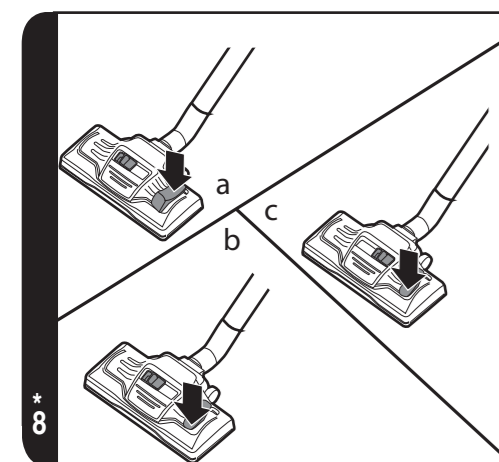
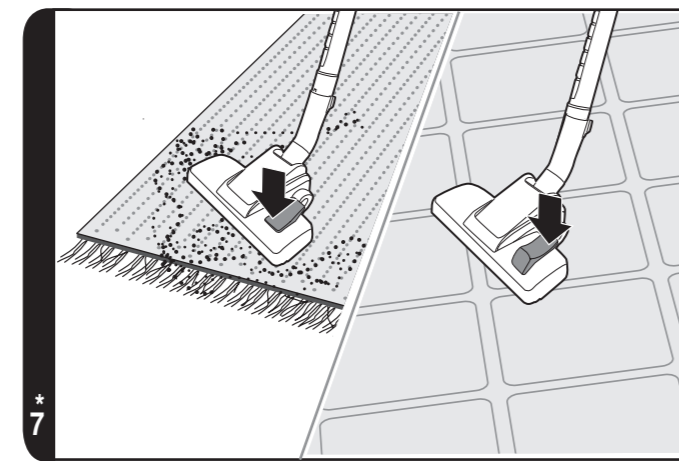
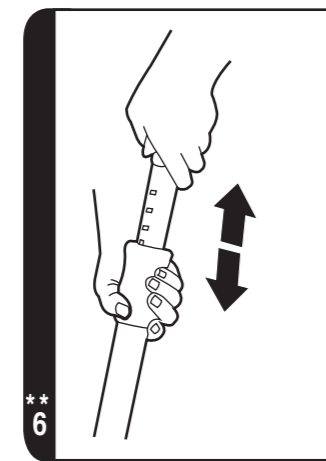
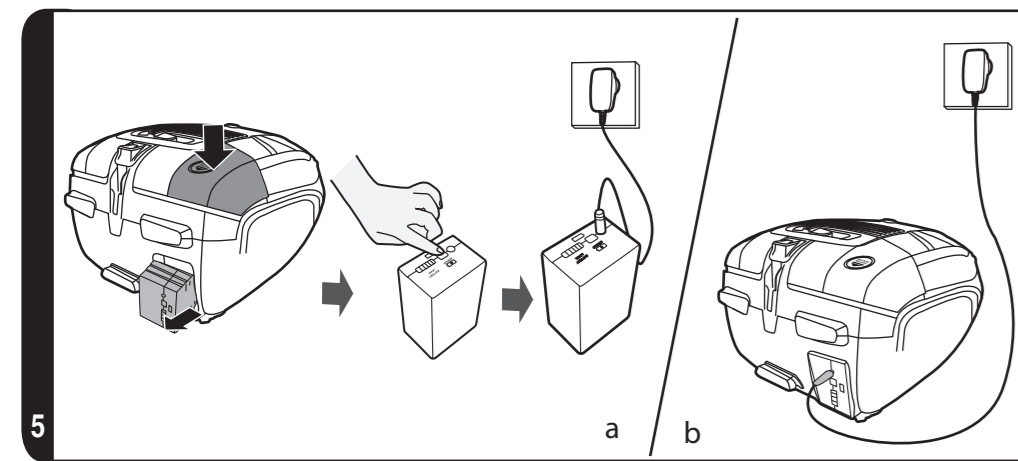
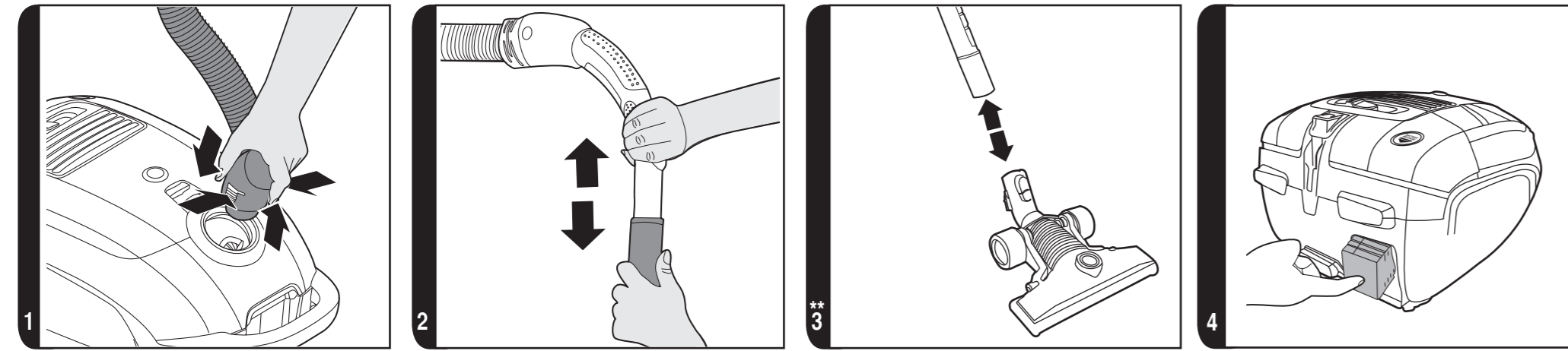


BORN INNOVATIVE

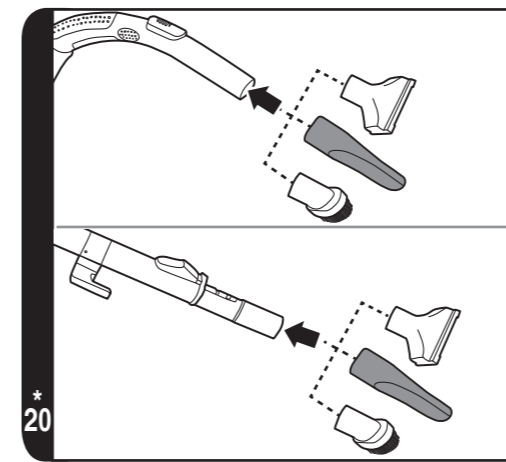
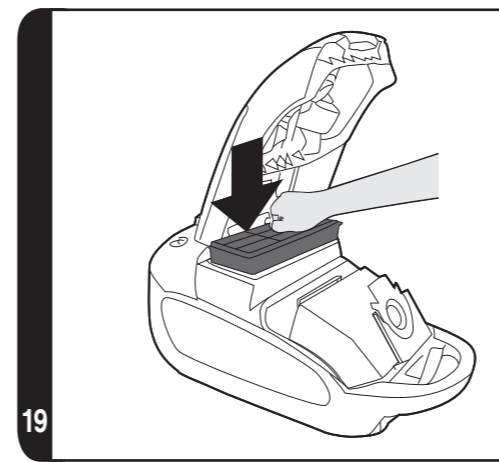
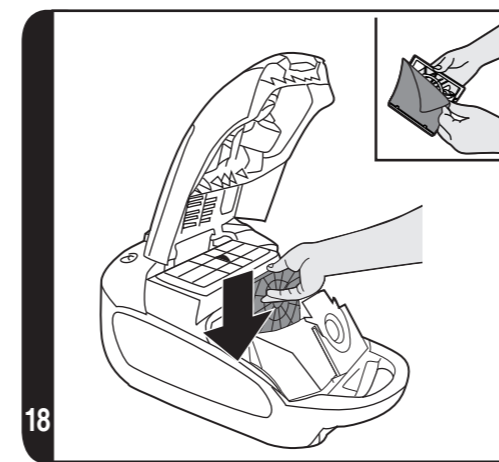
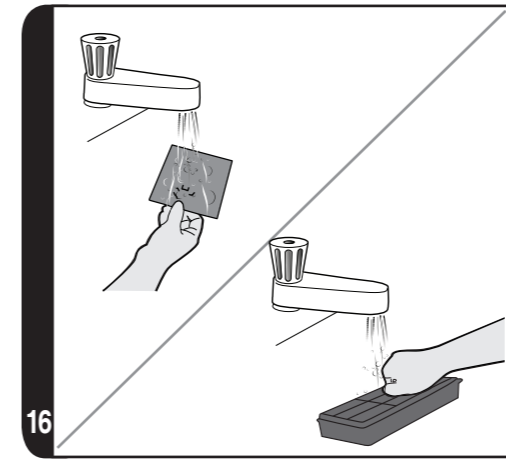
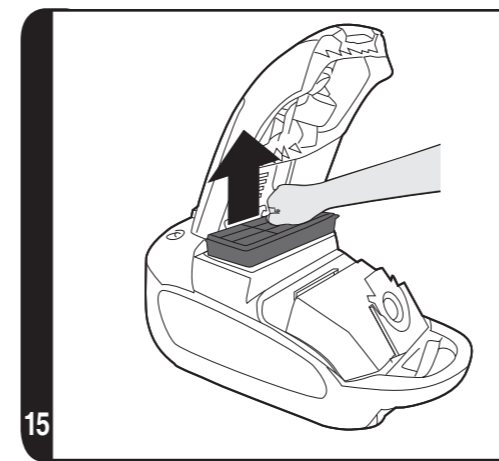
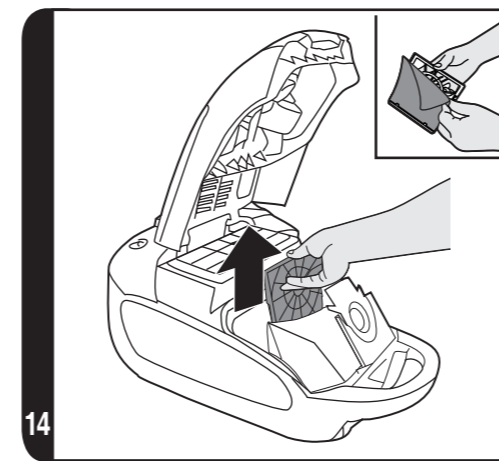
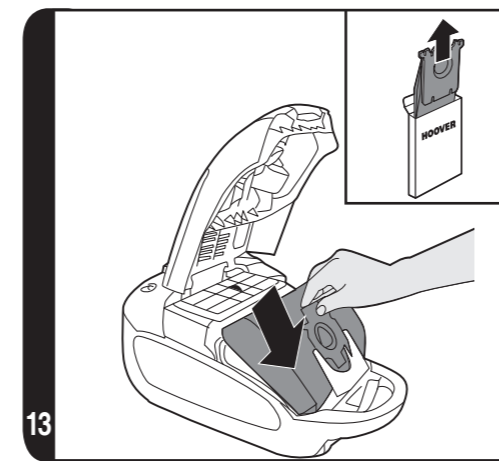
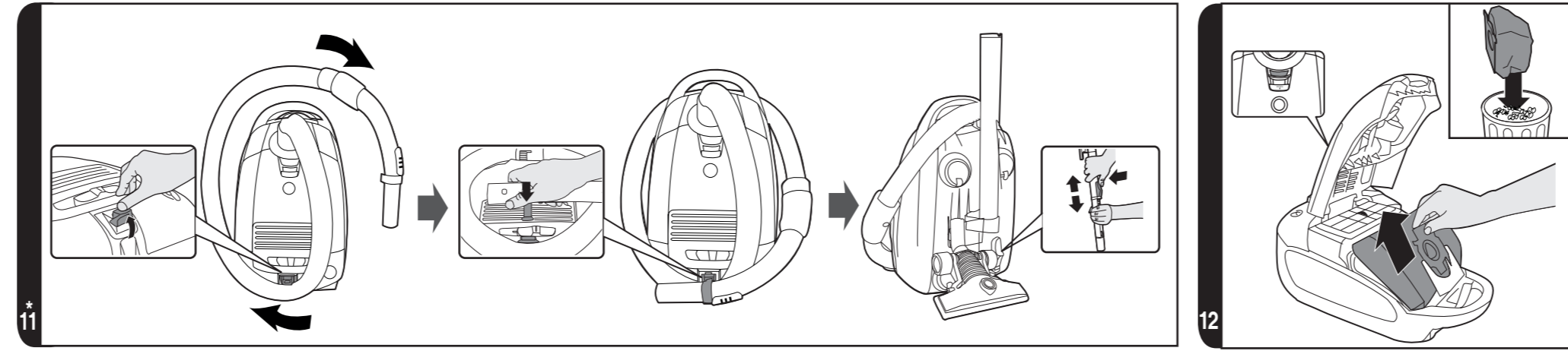
PRINTED IN P.R.C.  
48022160/03



\* Certain models only \*\* May vary according to the model



\* Certain models only \*\* May vary according to the model



\* Certain models only \*\* May vary according to the model

## INSTRUCTIONS FOR SAFE USE

This appliance should only be used for domestic cleaning, as described in this user guide. Please ensure that this guide is fully understood before operating the appliance.

Do not leave the appliance plugged in. Always switch off and remove the plug from the socket after use, or before cleaning the appliance or any maintenance task.

This appliance can be used by children aged from 8 years and above and persons with reduced physical, sensory or mental capabilities or lack of experience and knowledge if they have been given supervision or instruction concerning use of the appliance in a safe way and understand the hazards involved. Children shall not play with the appliance. Cleaning and user maintenance shall not be made by children without supervision.

If the power cord is damaged stop using the appliance immediately. To avoid a safety hazard, an authorised HOOVER service engineer must replace the power cord.

Keep hands, feet, loose clothing and hair away from rotating brushes.

Use only the original charger supplied with the appliance.

Check that your supply voltage is the same as that stated on the charger.

This appliance is supplied with a double insulated battery charger which is only suitable for insertion in a 230V (UK 240V) socket outlet.

Plug the charger in to suitable socket outlet and connect the charger jack plug to the appliance.

For first use, charge the battery pack for 5.5 hours.

To charge the battery pack, detach it from the cleaner

by pressing the battery pack release pedal and plug the charger into the charging port located on the battery pack.

The battery pack can also be charged when inserted into the cleaner. [5]

Ensure that the cleaner is switched off during charging.

When the charger is connected, the LED lights battery indicator on the battery pack will illuminate in turn as the battery charges, until all four lights are illuminated.

Once fully charged, the four LED lights will remain lit and will turn off after 5 minutes.

Re-connect the appliance to the charger after use to recharge the battery.

Never charge the batteries in temperatures above 45°C or below 0°C.

It is normal for the charger to become warm to the touch when charging. When charging the cleaner, it will automatically turn off.

Do not unplug the charger by pulling on the power cord.

Unplug the charger in the event of prolonged absence (holidays, etc.). Recharge appliance again before use as batteries may self discharge over increased periods of storage.

If the appliance is to be disposed of the batteries must first be removed. The appliance must be disconnected from the supply mains when removing the battery. Dispose of the batteries safely. Run the appliance until it stops because the batteries are fully discharged. Used batteries should be taken to a recycling station and not disposed of with household waste. To remove the batteries, please contact the Hoover Customer Centre or proceed according to the following instructions.

**IMPORTANT:** Always fully discharge the batteries before removal.

Run the cleaner until the batteries are completely empty.

Remove the charger jack plug from the appliance.

Push the battery release button to eject the battery pack. [5]

Remove the battery pack slowly from the slot. [5]

**NOTE:** Should you experience any difficulty in dismantling the unit or for more detailed information on treatment, recovery and recycling of this appliance, please contact your local city office or your household waste disposal service.

Do not replace the batteries with non-rechargeable batteries.

Use only attachments, consumables or spares recommended or supplied by HOOVER.

**Static electricity:** Some carpets can cause a small build up of static electricity. Any static discharge is not hazardous to health.

Do not use your appliance out of doors or on any wet surface or for wet pick up.

Do not pick up hard or sharp objects, matches, hot ashes, cigarette ends or other similar items.

Do not spray with or pick up flammable liquids, cleaning fluids, aerosols or their vapours.

Do not run over the power cord when using your appliance or remove the plug by pulling on the power cord.

Do not continue to use your appliance if it appears faulty.


**HOOVER service:** To ensure the continued safe and efficient operation of this appliance we recommend that any servicing or repairs are only carried out by an authorised HOOVER service engineer.

Do not stand on or wrap the cord around arms or legs when using your appliance.

Do not use the appliance to clean animals or people.

Do not position the appliance above you when cleaning the stairs.

#### The Environment

The symbol on this appliance indicates that this appliance may not be treated as household waste. Instead it must be handed over to the applicable collection point for the recycling of electrical and electronic equipment. Disposal must be carried out in accordance with local environmental regulations for waste disposal.  For more detailed information about treatment, recovery and recycling of this appliance, please contact your local city office, your household and waste disposal service or the shop where you purchased the appliance.

 This appliance complies with the European Directives 2014/35/EU, 2014/30/EU and 2011/65/EU.

CANDY HOOVER GROUP S.r.l. Via Privata Eden Fumagalli, 20861 Brugherio (MB) Italy

## GETTING TO KNOW YOUR CLEANER

- |                                |                                  |
|--------------------------------|----------------------------------|
| A. Accessory Door              | M. Main Nozzle**                 |
| B1. Hose Holder*               | N. Carpet & Floor Nozzle*        |
| B2. Handle Holder*             | O. Battery Release Pedal         |
| B3. Tube Holder*               | P. Battery Pack                  |
| C. Variable Power Control*     | P1. LED Lights Battery Indicator |
| D. Bag Door                    | P2. Battery Charge Status Button |
| E. Bag Door Latch              | P3. Charging port                |
| F. On/Off Pedal                | Q. Charger                       |
| G. Bag Check Indicator         | R. Bag                           |
| H. Accessory Door Latch        | S. Exhaust Filter                |
| I. Suction Regulator           | T. Pre-Motor Filter              |
| J. Hose                        | U. Bag Holder                    |
| K. Telescopic Tube**           | V1. Crevice Tool*                |
| Ka. Telescopic Tube Latch*     | V2. Dusting Brush*               |
| Kb. Telescopic Tube Adjuster** | V3. Furniture Nozzle*            |
| L. Nozzle Latch*               | W. Parquet Nozzle*               |

## GETTING TO KNOW YOUR CLEANER

Remove all components from the packaging.

1. Connect the hose to the cleaner main body. To release the hose, simply press the two latches on the hose end and pull. [1]
2. Connect the hose handle to the upper tube end. [2]
3. Connect the tube lower end to the hard floor nozzle\*\* or accessories if required. [3]
4. Insert the battery pack by pushing it into the cleaner slot ensuring it is fixed in position, you will hear a click when fully connected. [4] To remove the battery pack, press the battery release pedal on the cleaner and take it out.

## CHARGING THE BATTERY PACK AND USE

For first use, charge the battery pack for 5.5 hours.

To charge the battery pack, detach it from the cleaner by pressing the battery pack release pedal [5a] and plug the charger into the charging port located on the battery pack. The battery pack can also be charged when it is inserted into the cleaner. [5b]

When the charger is connected, the LED lights battery indicator on the battery pack will illuminate in turn as the battery charges, until all four lights are illuminated.

Once fully charged, the four LED lights will remain lit and will turn off after 5 minutes.

**IMPORTANT:** The cleaner on/off pedal must always be in the OFF position during charging.

### LED LIGHTS BATTERY INDICATOR:

- <15%, flashing
- 15%~25%
- 26%~50%
- 51%~75%
- 76%~100%

**IMPORTANT:** Always ensure battery has sufficient battery capacity before use. Charge your cleaner if one LED light is flashing (remaining capacity ≤ 15%).

When the cleaner is in use, the LED lights battery indicator will illuminate indicating how much charge is remaining.

When the battery charge level is around 20%, a sound alarm, consisting of 3 beeps, will signal that the battery is about to run out. If not charged, after a few minutes the cleaner will automatically switch off.

When the battery charge level is ≤ 15%, the first LED light will flash for 5 seconds before the cleaner will automatically switch off.

When the cleaner is not in use, the battery level can be checked by pressing the Battery Charge Status Button (P2). The LED lights battery indicator will remain lit for 5 seconds.

### IMPORTANT:

1. Use only the charger supplied with your cleaner.
2. Charge temperature: 0~45°C.
3. When charging the cleaner, it will automatically turn off.
4. It is normal for the charger to become warm when charging.
5. Unplug the charger in the event of prolonged absence (holidays, etc.).

**NOTE:** To optimise the battery performance you should fully charge the battery pack on a regular basis or at least once per year.

## USING YOUR CLEANER

1. Adjust the telescopic tube to the desired height by moving the telescopic tube adjuster\*\* and raise or lower the tube to the most comfortable cleaning position. [6]
2. Connect the telescopic tube lower end to the Main Nozzle\*\* or accessories, if required. In case the model is equipped with a Carpet and Floor Nozzle\*\*, press the floor type selector\* pedal on the nozzle to select the ideal cleaning mode: [7]

**Hard Floor** – Brushes are lowered to protect the floor.

**Carpet** – Brushes are raised for the deepest clean.

### Carpet & Floor Nozzle\* :

- **Hard Floor Cleaning:** Press the pedal on the nozzle on Hard Floor mode and adjust the slider on the nozzle on ALL FLOORS. In this position brushes, wheels and wiper

blade are lowered to protect hard floors. [8a]

- **Standard Carpet & Rugs Cleaning:** Press the pedal on the nozzle on Carpet mode and adjust the slider on the nozzle on ALL FLOORS. In this position brushes and wiper blade are raised while wheels are lowered to allow a perfect ease of movement on such surfaces. [8b]

- **Deep Carpet Cleaning:** Press the pedal on the nozzle on Carpet mode and adjust the slider on the nozzle on DEEP CARPET CLEANING. In this position brushes, wheels and wiper blade are raised for a deeper cleaning of your carpet. [8c]

**WARNING: It is recommended to avoid potential scratching of wooden floors that the pedal is not set on hard floor mode and the slider on deep carpet cleaning.**

3. Switch the cleaner on by pressing the on/off pedal on the cleaner main body.
4. Slide Variable power control to increase or decrease the power. [9]
5. Adjust the suction regulator to the desired level.
6. Switch off at the end of use by pressing the on/off Pedal.

## PARKING AND STORAGE SECTION

1. The tube can be parked on the back or on the bottom of the cleaner for storage or temporary storage while in use. [10]
2. The hose, tube and nozzle can be in Nano Pack™ storage position when not in use\*: [11]
  - A. Retract the telescopic tube to its storage length.
  - B. Remove the nozzle from the end of the telescopic tube.
  - C. Remove the hose handle from the telescopic tube.
  - D. Lift the hose holder at the rear of the cleaner and wrap the flexible hose around the product.
  - E. Park the hose handle on the product through the handle holder.
  - F. Assemble the nozzle into the parking slot underneath the product.
  - G. Assemble the telescopic tube into the remaining parking slot underneath the product.

## CLEANER MAINTENANCE

### Replacing the Dust Bag

If the bag check indicator is red please check and, if necessary, replace the bag.

1. Lift the bag door Latch to open the bag door, close the bag to avoid dust escaping by pulling the tongue and remove the bag [12]. The full dust bag should be disposed of correctly and carefully.
2. Fold a new bag as shown on the bag and fit by inserting the collar into the bag holder. [13]
3. Close the Bag door.

**REMEMBER:** The bag check indicator may be red if an obstruction has occurred. In this case refer to 'Removing a Blockage From the System'.

### Cleaning the Filter:

To maintain optimum performance of your cleaner, please wash the pre-motor filter and exhaust filter after each 5 bag changes.

#### Cleaning the pre-motor filter:

1. Lift the bag door latch to open the bag door.
2. To remove the pre-motor filter slide the pre-motor filter frame from the cleaner. [14]
3. Remove the filter from the holder. [14]
4. Wash it in lukewarm water, and allow it to dry thoroughly before re-inserting it into the cleaner. [16,17,18]

#### Cleaning the exhaust filter:

1. To remove the exhaust filter, open the bag door and remove the filter pack. [15]
2. Wash the filter in lukewarm water and allow it to dry thoroughly before re-inserting it into the cleaner. [16,17,19]

**REMEMBER:** Do not use hot water or detergents. In the unlikely event of the filters becoming damaged, fit a Genuine Hoover replacement. Do not try and use the product without a dust bag or filter fitted.

### Cleaning the permanent cloth dust bag\* (certain models only)

To maintain optimum performance we recommend that you wash the permanent cloth dust bag under lukewarm water after every 5 full bags. Remove excess water and leave to dry fully re-inserting it into the cleaner.

### Removing a blockage from the system

If the bag check indicator is red:

1. Check if the bag is full. If so, refer to 'Replacing The Dust Bag'.
2. If it is not full, then;
  - A. Do the filters need cleaning? If so, refer to 'Cleaning the Filter'.
  - B. Check if there is any other blockage in the system - Use a rod or a pole to remove any blockage from telescopic tube or flexible hose.

**WARNING\*:** - The bag check indicator will remain red if the cleaner is used when the bag is full, if there is a blockage or if the filters are dirty. If used for a period over ten minutes with the bag check indicator red, an electronic cut out will switch the cleaner off to prevent any risk of overheating. If this should happen, switch the cleaner off, unplug and correct the fault (see 'Removing a blockage'). The cut out will automatically reset upon switching the cleaner back on.

### Battery Replacement

This cleaner is fitted with a rechargeable Lithium ion battery pack which is replaceable.

**WARNING:** Only use approved replacement parts for your cleaner. Using parts not validated by Hoover is dangerous and will invalidate your guarantee.

**WARNING:** Do not try to open the battery pack and repair it by yourself.

1. Press the battery release button and the battery pack will be ejected automatically.
2. Remove the battery pack slowly from the cleaner.
3. Remove the old battery pack and replace it with a new one.

- Dispose of the batteries safely. Used batteries should be taken to a recycling station and not disposed of with household waste.

#### End of Product Life Battery Disposal

If the cleaner is to be disposed, the batteries should be removed. Used batteries should be taken to a recycling station and not disposed of with household waste.

**IMPORTANT:** Always fully discharge the batteries before removal.

- Run the cleaner until the batteries are completely empty.
- Press the battery release button and the battery pack will be ejected automatically.
- Remove the battery pack slowly from the cleaner.
- Remove the batteries from the cleaner.

**Note:** Should you experience any difficulties in dismantling the unit or for more detailed information about treatment, recovery and recycling of this product, please contact your local city office or your household waste disposal service.

## ACCESSORIES AND NOZZLES

The crevice tool\*, furniture nozzle\* and dusting brush\* are stored on board under the accessories door. And they can be fitted to the handle or the end of telescopic tube. [20]

- **Crevice Tool\*** – For corners and hard to reach areas. [V1]
- **Dusting Brush\*** – For bookshelves, frames, keyboards and other delicate areas. [V2]
- **Furniture Nozzle\*** – For soft furnishings and fabrics. [V3]
- **Parquet Nozzle\*** – For parquet floors and other delicate floors. [W]

## USER CHECK LIST

Should you have a problem with the product, complete this simple user checklist before calling your local HOOVER service.

- Is there a working electricity supply to the cleaner? Please check if the cleaner is charged.
- Is the dust bag over-filled? Please refer to 'Cleaner Maintenance'.
- Is the filter blocked? Please refer to 'Cleaner Maintenance'.
- Is the hose or nozzle blocked? Please refer to 'Removing a blockage from the system'.
- Does the cleaner not switch on? Please check if the battery is charged.
- Can't the battery be charged?
- This may be a result of very long storage periods (over one year). Contact Hoover customer service to arrange battery replacement. Please refer to "Replacing the Battery".

**NOTE:** The voltage of correct charger is from 19V to 22V and the charging current is 1A to 2A.

## IMPORTANT INFORMATION

### HOOVER spares and Consumables

Always replace parts with genuine HOOVER spares. These are available from your local HOOVER dealer or direct from Hoover. When ordering parts always quote your model number.

- Battery pack: BAT18VLI 39800040

### Quality

HOOVER's factories have been independently assessed for quality. Our products are made using a quality system which meets the requirements of ISO 9001.

### Your Guarantee

The guarantee conditions for this appliance are as defined by our representative in the country in which it is sold. Details regarding these conditions can be obtained from the dealer from whom the appliance was purchased. The bill of sale or receipt must be produced when making any claim under the terms of this guarantee.

**IMPORTANT:** The battery in this cleaner is guaranteed for 2 years from purchase. After 2 years, the customer is liable for the cost of a new battery.

Subject to change without notice.

## INSTRUCTIONS DE SÉCURITÉ D'UTILISATION

Cet appareil ne doit être utilisé que pour un nettoyage domestique, conformément à ce guide d'utilisation. Veuillez vous assurer que ces instructions sont parfaitement comprises avant d'utiliser l'appareil.

Ne laissez pas l'appareil branché. Eteignez et débranchez toujours l'appareil après l'avoir utilisé, ou avant de le nettoyer ou de procéder à son entretien.

Cet appareil peut être utilisé par des enfants âgés d'au moins 8 ans et par des personnes ayant des capacités physiques, sensorielles ou mentales réduites, ou n'ayant pas d'expérience ou de connaissances en la matière. Ces dernières doivent recevoir des instructions sur l'utilisation de l'appareil en toute sécurité et comprendre les risques impliqués. Les enfants ne doivent pas jouer avec l'appareil. Le nettoyage et l'entretien ne devraient pas être effectués par des enfants sans supervision.

Si le cordon d'alimentation est endommagé, arrêtez immédiatement d'utiliser l'appareil. Pour éviter les risques d'accident, un réparateur HOOVER agréé doit remplacer le cordon d'alimentation.

Maintenez les mains, pieds, vêtements et cheveux à distance des brosses rotatives.

Utilisez uniquement le chargeur d'origine qui vous a été fourni avec l'appareil.

Vérifiez que la tension de l'alimentation est la même que celle indiquée sur le chargeur.

Cet appareil Hoover est fourni avec un chargeur de batterie doublement isolé qui n'est adapté qu'à une prise de 230 V (240 V Grande-Bretagne).

Branchez le chargeur dans une prise adaptée et connectez

la prise jack du chargeur dans l'appareil.

Pour la première utilisation, chargez le bloc batterie pendant 5,5 heures.

Pour charger le bloc batterie, détachez-le de l'aspirateur en appuyant sur la pédale de déblocage du bloc batterie et branchez le chargeur dans le port de chargement placé sur le bloc batterie.

Le bloc batterie peut également être chargé lorsqu'il est inséré dans l'aspirateur. [5]

Assurez-vous que l'aspirateur est éteint pendant la charge.

Lorsque le chargeur est connecté, l'indicateur de batterie à voyants lumineux du bloc batterie s'illuminera par intermittence au fur et à mesure de la charge de la batterie, jusqu'à ce que les quatre voyants s'illuminent.

Une fois que la batterie est entièrement chargée, les quatre voyants lumineux resteront allumés et s'éteindront après 5 minutes.

Rebranchez l'appareil au chargeur après l'utilisation pour recharger les batteries.

Ne rechargez jamais les piles dans des températures de plus de 45°C ou en-dessous de 0°C.

Il est normal pour le chargeur de devenir chaud au toucher lorsqu'il est en train de charger. Lors du chargement de l'aspirateur, ils s'éteindront de manière automatique.

Ne pas débrancher en tirant sur le cordon d'alimentation.

Débranchez le chargeur en cas d'absence prolongée (vacances, etc.). Rechargez l'appareil de nouveau avant de l'utiliser car les batteries peuvent se décharger toutes seules si elles sont stockées pendant longtemps.

Si vous mettez l'appareil à la poubelle, il convient de retirer



les batteries d'abord. L'appareil ne doit pas être branché à la prise, lorsque vous retirez les batteries. Mettez les batteries à la poubelle, dans un endroit sûr. Laissez fonctionner l'appareil jusqu'à l'arrêt total de l'appareil dû au fait que les batteries sont entièrement déchargées. Des batteries usées doivent être amenées à un point de recyclage et non pas être éliminées avec les ordures ménagères. Pour retirer les batteries, veuillez contacter le centre d'assistance Hoover ou suivez les instructions suivantes.

**IMPORTANT** : Déchargez toujours complètement les piles avant de les retirer.

Faites fonctionner le nettoyeur jusqu'à ce que les batteries soient complètement vides.

Retirez la prise jack du chargeur de l'appareil.

Poussez le bouton de déverrouillage du bloc batterie et retirez le bloc batterie. [5]

Tirez lentement le bloc batterie de la fente. [5]

**NOTE** : Si vous rencontrez des difficultés en démontant l'unité ou si vous souhaitez obtenir de plus amples informations concernant le traitement, la récupération et le recyclage de cet appareil, veuillez contacter les services de votre ville locale ou un service de traitement des ordures ménagères.

Ne remplacez pas les batteries avec des batteries non rechargeables.

N'utilisez que les accessoires, consommables ou pièces détachées recommandés ou fournis par HOOVER.

**Electricité statique** : Certains tapis peuvent entraîner une petite accumulation d'électricité statique. Les décharges d'électricité statique ne sont pas dangereuses pour la santé.

N'utilisez pas votre appareil à l'extérieur, sur une surface

humide ou pour un ramassage humide.

N'aspirez pas d'objets durs ou tranchants, d'allumettes, de cendres chaudes, de mégots de cigarettes ou d'autres objets similaires.

Ne pulvérisez ou n'aspirez pas des liquides inflammables, des produits d'entretien liquides, des aérosols ou leurs vapeurs.

Ne marchez pas sur le cordon d'alimentation lorsque vous utilisez votre appareil et ne le débranchez pas de la prise en tirant sur le cordon d'alimentation.

Ne continuez pas à utiliser votre appareil s'il semble défectueux.


**Service HOOVER** : Pour assurer l'utilisation sûre et efficace de cet appareil, nous recommandons de n'en confier l'entretien ou les réparations qu'à un réparateur HOOVER agréé.


Ne marchez pas sur le cordon d'alimentation ou ne l'enroulez pas sur vos bras ou vos jambes quand vous utilisez l'appareil.

N'utilisez pas l'appareil sur des personnes ou des animaux.

Lors du nettoyage des escaliers, ne placez pas l'appareil dans une position plus haute que la vôtre.

#### Environnement

Le symbole figurant sur cet appareil indique qu'il ne peut pas être considéré comme une ordures ménagères. Vous devez le déposer dans un centre de recyclage des déchets électriques et électroniques. La déposition doit être effectuée conformément à la réglementation locale en matière de déchets.  Pour obtenir des compléments d'information sur le traitement, la récupération et le recyclage de cet appareil, veuillez contacter votre municipalité, le service local d'élimination des ordures ménagères ou le revendeur de l'appareil.

 Cet appareil est conforme aux Directives européennes 2014/35/UE, 2014/30/UE et 2011/65/UE.

CANDY HOOVER GROUP S.r.l. Via Privata Eden Fumagalli, 20861 Brugherio (MB) Italy

## CONNAITRE VOTRE ASPIRATEUR

- |                                                       |                                            |
|-------------------------------------------------------|--------------------------------------------|
| A. Trappe à accessoires                               | L. Clip de verrouillage de la brosse*      |
| B1. Porte-flexible*                                   | M. Brosse principale**                     |
| B2. Porte-poignée*                                    | N. Brosse moquette et sol dur*             |
| B3. Porte-tube*                                       | O. Pédale de déverrouillage de la batterie |
| C. Variateur de puissance*                            | P. Bloc batterie                           |
| D. Trappe du sac                                      | P1. Indicateur de batterie à voyants LED   |
| E. Loquet de déverrouillage de la trappe du sac       | P2. Bouton d'état de charge de la batterie |
| F. Bouton marche/arrêt                                | P3. Port de chargement                     |
| G. Voyant de remplissage du sac                       | Q. Chargeur                                |
| H. Loquet de déverrouillage de la trappe à accessoire | R. Sac                                     |
| I. Variateur de puissance                             | S. Filtre d'évacuation                     |
| J. Flexible                                           | T. Filtre pré-moteur                       |
| K. Tube télescopique**                                | U. Porte-sac                               |
| Ka. Verrou de tube télescopique*                      | V1. Suceur plat*                           |
| Kb. Bouton de réglage du tube télescopique**          | V2. Brosse meuble*                         |
|                                                       | V3. Petit suceur*                          |
|                                                       | W. Brosse parquet*                         |

## CONNAITRE VOTRE ASPIRATEUR

Sortez tous les composants de l'emballage.

- Raccordez le flexible à l'aspirateur. Pour détacher le tuyau : il suffit d'appuyer sur les deux loquets du tuyau et de tirer. [1]
- Connectez la poignée du tuyau à l'extrémité supérieure du tube. [2]
- Connectez l'extrémité inférieure du tube à la brosse sols durs\*\* ou aux accessoires, si nécessaire. [3]
- Insérez le bloc batterie en le poussant à l'intérieur de la fente et en vous assurant qu'il est fixé en place ; vous entendrez un déclic lorsqu'il se mettra complètement en place. [4] Pour retirer le bloc batterie, appuyez sur la pédale de déverrouillage de la batterie se trouvant sur l'aspirateur et enlevez-le.

## CHARGER LE BLOC DE BATTERIE PUIS L'UTILISER

Pour la première utilisation, chargez le bloc batterie pendant 5,5 heures.

Pour charger le bloc batterie, détachez-le de l'aspirateur en appuyant sur le bouton de déblocage du bloc batterie [7a] et branchez le chargeur dans le port de chargement se trouvant sur le bloc batterie. Le bloc batterie peut également être chargé lorsqu'il est inséré dans l'aspirateur. [5b]

Lorsque le chargeur est connecté, l'indicateur de batterie à voyants lumineux du bloc

batterie s'illuminera par intermittence au fur et à mesure de la charge de la batterie, jusqu'à ce que les quatre voyants s'illuminent.

Une fois que la batterie est entièrement chargée, les quatre voyants lumineux resteront allumés et s'éteindront après 5 minutes.

**IMPORTANT** : La pédale on/off de l'aspirateur doit toujours être en position OFF pendant la charge.

### INDICATEUR DE BATTERIE À VOYANTS LED :

○○● <15%, clignotement

○○● 15%~25%

○○●● 26%~50%

○●●● 51%~75%

●●●● 76%~100%

**IMPORTANT** : Assurez-vous toujours que la batterie a un niveau de charge suffisant avant toute utilisation.

Chargez votre aspirateur si un voyant LED clignote (capacité restante ≤ 15 %).

Lors de l'utilisation de l'aspirateur, l'indicateur de batterie à voyants LED s'allume pour indiquer le niveau de charge restant.

Lorsque le niveau de charge de la batterie est d'environ 20 %, une alarme sonore, constituée de 3 bips, indiquera que la batterie est presque épuisée. Si celle-ci n'est pas chargée, après quelques minutes, l'aspirateur s'éteindra de façon automatique.

Lorsque le niveau de charge de la batterie est ≤ 15 %, le premier voyant LED clignote pendant 5 secondes avant que l'aspirateur ne s'éteigne automatiquement.

Lorsque l'appareil n'est pas utilisé, le niveau de la batterie peut être vérifié en appuyant sur le bouton d'état de charge de la batterie (P2). L'indicateur de batterie à voyants LED restera allumé pendant 5 secondes.

### IMPORTANT :

- N'utilisez que le chargeur fourni avec votre nettoyeur.
- Température de charge : 0~45°C.
- Lors du chargement de l'aspirateur, ils s'éteindront de manière automatique.
- Il est normal que le chargeur devienne chaud au toucher lorsqu'il est en train de charger.
- Débranchez le chargeur en cas d'absence prolongée (vacances, etc.).

**REMARQUE** : Pour optimiser la performance de la batterie, vous devez pleinement charger le bloc batterie sur une base régulière ou au moins une fois par an.

## UTILISATION DE L'APPAREIL

- Régler le tube télescopique à la hauteur désirée en déplaçant le régleur tube télescopique \*\* en l'élevant ou abaissant la poignée à la position de nettoyage la plus confortable. [6]
- Connectez l'extrémité inférieure du tube télescopique à la brosse principale\*\* ou aux accessoires, si nécessaire. Si le modèle est équipé d'une brosse moquette et sol\*\*, appuyez sur la pédale\* de la brosse pour sélectionner le mode d'aspiration idéal : [7]

\*Sur certains modèles uniquement \*\*Peut varier en fonction du modèle

**Sol dur** – Les brosses sont baissées pour protéger le sol.

**Moquette** – Les brosses sont relevées pour un nettoyage en grande profondeur.

#### Brosse moquette et sol\* :

- **DépoUssiérage sur sols durs** : Appuyez sur la pédale de la brosse pour sélectionner le mode Sols Durs et ajustez le curseur sur la brosse sur TOUS LES SOLS. Dans cette position, les brosses, les roulettes et le balai d'essuie-glace sont baissés pour protéger le sol. [8a]

- **Nettoyage standard de moquette et tapis** : Appuyez sur la pédale de la brosse pour sélectionner le mode Sols Durs et ajustez le curseur de la brosse sur TOUS LES SOLS. Dans cette position, les brosses et le balai d'essuie-glace sont soulevés pendant que les roulettes sont baissées pour favoriser une parfaite liberté de mouvement. [8b]

- **Nettoyage en profondeur de moquette** : Appuyez sur la pédale de la brosse pour sélectionner le mode Moquette et ajustez le curseur de la brosse sur NETTOYAGE EN PROFONDEUR DE MOQUETTE. Dans cette position, les roulettes et le balai d'essuie-glace sont soulevés pour un nettoyage en profondeur de votre moquette. [8c]

**MISE EN GARDE : Il est recommandé d'éviter d'éventuelles rayures du parquet sur lequel la pédale n'est pas réglée sur le mode sol dur et le curseur sur le mode nettoyage en profondeur de moquette.**

3. Allumez l'aspirateur en appuyant sur la pédale de marche/arrêt placé sur le corps principal de l'aspirateur.
4. Faites glisser le variateur de puissance pour augmenter ou diminuer la puissance d'aspiration. [9]
5. Réglez le variateur d'aspiration au niveau désiré.
6. Eteignez l'aspirateur après utilisation en appuyant sur la pédale de marche/arrêt.

## SECTION PARKING ET RANGEMENT

1. Le tube peut être mis en position « parking » ou en position « rangement » pour rangement ou rangement temporaire pendant l'utilisation. [10]
2. Le flexible, le tube ou la brosse peut être en position de rangement « Nano Pack™ » lorsqu'il n'est pas utilisé : [11]
  - A. Rétractez alors le tube télescopique à la longueur de rangement.
  - B. Retirez la brosse de l'extrémité du tube télescopique.
  - C. Retirez la poignée du flexible du tube télescopique.
  - D. Soulevez le porte-flexible à l'arrière de l'aspirateur et enroulez le flexible autour du produit.
  - E. Rangez la poignée du flexible sur le produit à travers le porte-poignée.
  - F. Placez la brosse dans la fente de rangement située sous l'appareil.
  - G. Placez le tube télescopique dans l'autre fente de rangement située sous l'appareil.

## ENTRETIEN DE L'ASPIRATEUR

### Remplacement du sac à poussière

Si le voyant de remplissage du sac est rouge, veuillez vérifier le sac et le cas échéant, le remplacer.

1. Soulevez le loquet de déverrouillage de la trappe du sac [14] pour ouvrir la trappe du sac, fermez le sac pour éviter que la poussière ne s'échappe en tirant sur la languette du sac et retirez-le [12]. Vous pouvez alors le mettre à la poubelle soigneusement.
2. Ensuite, mettez en place un sac neuf en insérant la cartonnnette dans le porte-sac comme illustré sur le sac. [13]
3. Fermez la trappe du sac.

**ATTENTION** : le voyant de remplissage du sac peut être rouge en cas de blocage. Dans ce cas, reportez-vous à « Pour éliminer un blocage dans le système ».

### Nettoyage du filtre :

Pour maintenir votre aspirateur en état de marche optimal, veuillez laver le filtre de protection du moteur tous les 5 remplacements de sac.

### Nettoyage du filtre pré-moteur :

1. Soulevez le loquet de déverrouillage de la trappe du sac pour ouvrir la trappe du sac.
2. Pour retirer le filtre de protection du moteur, retirez de l'aspirateur le cadre du filtre de protection du moteur. [14]
3. Retirez le filtre. [14]
4. Lavez-le à la main à l'eau tiède, et laissez-le sécher complètement avant de le remettre sur l'aspirateur. [16,17,18]

### Nettoyage du filtre d'évacuation sortie moteur :

1. Pour retirer le filtre d'évacuation, ouvrez la trappe du sac et retirez le sac à poussière de l'aspirateur. [15]
2. Lavez le filtre d'évacuation à la main à l'eau tiède et laissez-le sécher complètement avant de le remettre sur l'aspirateur. [16,17,19]

**ATTENTION** : N'utilisez pas d'eau chaude ou de détergents. Dans le cas peu probable où les filtres seraient endommagés, remplacez-les par des filtres de la marque Hoover. N'utilisez pas l'aspirateur sans sac ou sans filtres.

### Nettoyage du sac à poussière permanent\* (Sur certains modèles uniquement)

Pour maintenir votre aspirateur en état de marche optimal, veuillez laver le sac permanent tous les 5 vidages de sac. Éliminez l'excédent d'eau et laissez-le sécher complètement avant de le réinsérer dans l'aspirateur.

### Pour éliminer un blocage dans le système

Si le voyant de remplissage du sac est rouge :

1. Vérifiez si le sac est plein. Si c'est le cas, reportez-vous à « Pour remplacer le sac à poussière ».
2. Si ce n'est pas le cas;
  - A. Les filtres ont-ils besoin d'être nettoyés ? Si c'est le cas, référez-vous à « Pour nettoyer le filtre ».
  - B. Vérifiez qu'il n'y ait pas de blocage à un autre endroit du système. - Éliminez toute obstruction dans le tube télescopique ou dans le flexible à l'aide d'une tige ou d'un manche.

**AVERTISSEMENT\*** : - Le voyant de remplissage du sac restera rouge si l'aspirateur est utilisé lorsque le sac est plein, s'il y a un blocage ou si les filtres sont sales. S'il est utilisé pendant plus de dix minutes et que le voyant de remplissage du sac est rouge, un disjoncteur électronique arrête automatiquement l'aspirateur pour éviter tout risque de surchauffe. Si cela se produit, éteignez l'aspirateur, débranchez-le et rectifiez le problème (voir « Élimination d'une obstruction »). Le coupe-circuit se réinitialisera automatiquement en rallumant l'aspirateur.

### Changement de la batterie

Cet aspirateur est équipé d'un bloc batterie Lithium ion rechargeable qui est remplaçable.

**MISE EN GARDE** : Utilisez uniquement les pièces de rechange approuvées pour votre aspirateur. L'utilisation de pièces non approuvées par Hoover est dangereuse et invalidera votre garantie.

**MISE EN GARDE** : N'essayez pas d'ouvrir le bloc batterie pour le réparer vous-même.

1. Appuyez sur le bouton de déverrouillage de batterie et le bloc batterie sera automatiquement éjecté.
2. Retirez lentement le bloc batterie de l'aspirateur.
3. Enlevez l'ancien bloc batterie et remplacez-le par un nouveau.
4. Mettez les batteries à la poubelle, dans un endroit sûr. Des batteries usées doivent être amenées à un point de recyclage et non pas être éliminées avec les ordures ménagères.

### Mise au rebut de la batterie en fin de vie de l'appareil

Si l'aspirateur doit être éliminé, les batteries doivent être retirées. Des batteries usées doivent être amenées à un point de recyclage et non pas être éliminées avec les ordures ménagères.

**IMPORTANT** : Déchargez toujours complètement les piles avant de les retirer.

1. Faites fonctionner le nettoyeur jusqu'à ce que les batteries soient complètement vides.
2. Appuyez sur le bouton de déverrouillage de batterie et le bloc batterie sera automatiquement éjecté.
3. Retirez lentement le bloc batterie de l'aspirateur.
4. Retirez les batteries de l'aspirateur.

**Note** : Si vous avez des difficultés pour démonter l'appareil ou si vous désirez plus d'informations au sujet du traitement, de la récupération et du recyclage de cet appareil, veuillez contacter votre mairie ou le service de ramassage des déchets de votre lieu de résidence.

## ACCESSOIRES ET BROSSES

Le suceur plat\*, la brosse à meubles\* et la brosse à poussière\* sont rangés sous la trappe des accessoires. Et ils s'adaptent à la poignée du flexible ou à l'extrémité du tube télescopique.

[20]

- **Suceur plat\*** – Pour coins et endroits difficiles d'accès. [V1]
- **Brosse meuble\*** – Pour étagères, cadres, claviers et autres surfaces délicates. [V2]
- **Petit suceur\*** – Pour meubles et tissus d'ameublement. [V3]
- **Brosse parquet\*** – Pour parquets et autres sols délicats. [W]

## LISTE DE CONTROLE UTILISATEUR

En cas de problèmes avec l'appareil, effectuez les vérifications de la liste de vérifications avant d'appeler le service après-vente HOOVER local.

- L'aspirateur est-il alimenté en électricité ? Vérifiez que le nettoyeur est chargé.
- Le sac à poussière est-il saturé ? Veuillez vous reporter à « Entretien de l'aspirateur ».
- Le filtre est-il encrassé ? Veuillez vous reporter à « Entretien de l'aspirateur ».
- Le tube ou le flexible est-il bouché ? Veuillez vous reporter à « Pour éliminer une obstruction ».
- L'aspirateur ne s'allume pas ? Veuillez vérifier si la batterie est chargée.
- La batterie ne peut-elle pas être chargée ?
- Cela peut être dû à de très longues périodes de stockage (plus d'un an). Contactez le service clientèle Hoover pour effectuer le changement de batterie. Veuillez vous reporter à « Pour remplacer la batterie ».

**NOTE** : La tension du bon chargeur varie de 19 V à 22 V, et le courant de charge varie de 1 A à 2 A.

## INFORMATIONS IMPORTANTES

### Pièces détachées et consommables HOOVER

Remplacez toujours les pièces par des pièces détachées originales de la marque HOOVER. Celles-ci sont disponibles auprès de votre revendeur HOOVER ou directement auprès de Hoover. Lors de la commande de pièces, veuillez toujours préciser le numéro de votre modèle.

- Bloc batterie : BAT18VLI 39800040

### Qualité

LA QUALITÉ des usines Hoover a fait l'objet d'une évaluation indépendante. Nos produits sont fabriqués selon un système de qualité conforme à la norme ISO 9001.

### Votre garantie

Les conditions de garantie de cet appareil sont définies par notre représentant dans le pays où il est vendu et peuvent être obtenues auprès de votre revendeur. Les détails concernant ces conditions peuvent être obtenues auprès du revendeur auprès duquel l'appareil a été acheté. La facture d'achat ou le reçu doivent être présentés pour toutes réclamations relevant des conditions de cette garantie.

**IMPORTANT** : La batterie est garantie 2 ans à partir de la date d'achat. Passés les deux ans, le client est responsable du coût d'acquisition d'une nouvelle batterie.

Ces conditions peuvent être modifiées sans préavis.

## HINWEISE FÜR DIE SICHERE BENUTZUNG

Dieses Gerät ist nur zum Gebrauch im Haushalt und nicht für gewerbliche Zwecke bestimmt. Sie sollten das Gerät ausschließlich gemäß den Angaben in dieser Bedienungsanleitung verwenden. Vor dem Gebrauch des Gerätes muss die vorliegende Bedienungsanleitung vollständig gelesen und verstanden worden sein.

Ziehen Sie den Netzstecker nach Gebrauch aus der Steckdose. Vor der Reinigung oder Wartung das Gerät stets ausschalten, den Netzstecker aus der Steckdose ziehen und abkühlen lassen.

Dieses Gerät darf von Kindern ab 8 Jahren, sowie körperlich, geistig oder sensorisch behinderten Personen bzw. Personen ohne Erfahrung und Kenntnisse im Gebrauch nur unter Aufsicht oder unter Anleitung für die sichere Benutzung und den damit verbundenen Gefahren benutzt werden. Kinder sollten nicht unbeaufsichtigt mit dem Gerät spielen. Reinigungs- und Wartungsarbeiten dürfen von Kindern nur unter Aufsicht ausgeführt werden.

Ist das Netzkabel beschädigt, darf das Gerät NICHT mehr benutzt werden. Im Falle eines Defektes darf das Netzkabel nur durch einen autorisierten HOOVER-Kundendiensttechniker ausgetauscht werden.

Hände, Füße, lose Kleidung und Haare von den rotierenden Bürsten fernhalten.

Verwenden Sie nur das Originalladegerät, das mit dem Gerät geliefert wurde.

Stellen Sie sicher, dass die Versorgungsspannung mit der auf dem Ladegerät angegebenen Spannung übereinstimmt.

Dieses Haushaltsgerät von Hoover wird mit einem schutzisolierten Batterieladegerät geliefert, welches ausschließlich für 220-230 V (GB 240 V) Steckdosen geeignet ist.

Stecken Sie das Netzteil in eine geeignete Steckdose und schließen Sie den Stecker am Gerät an.

Laden Sie den Akkupack vor der ersten Benutzung min. 5,5 Stunden lang auf.

Um den Akkupack aufzuladen, nehmen Sie ihn aus Staubsauger heraus. Drücken Sie hierzu auf die Freigabetaste des Akkupacks und schließen Sie das Ladegerät am Ladeanschluss des Akkupacks an.

Der Akkupack kann auch aufgeladen werden, wenn er im Staubsauger eingesetzt ist. **[5]**

Vergewissern Sie sich, dass der Staubsauger während des Ladevorgangs ausgeschaltet ist.

Wenn das Ladegerät angeschlossen ist, leuchten während des Aufladens, abhängig vom Ladezustand, bis zu vier LED Batterieladezustandsleuchten auf.

Wenn der Akkupack voll aufgeladen ist, leuchten alle vier LED-Leuchten. Diese werden nach 5 Minuten ausgeschaltet.

Schließen Sie das Gerät nach der Benutzung wieder an das Netzteil an um die Akkus wieder aufzuladen.

Akkus niemals bei Temperaturen über 45°C oder unter 0°C aufladen!

Es ist normal, dass sich das Ladegerät während des Ladevorgangs erwärmt. Beim Aufladen des Staubsaugers schaltet sich der Staubsauger automatisch aus.

Ziehen Sie den Netzstecker des Ladegerätes NIEMALS durch Ziehen am Kabel heraus.

Ziehen Sie im Fall einer längeren Abwesenheit, z.B. Urlaub usw. den Stecker des Ladegerätes aus der Steckdose. Laden Sie nach einer längeren Zeit der Lagerung/Nichtbenutzung das Gerät vor der erneuten Benutzung wieder komplett auf, da sich die Akkus von selber entladen können.

Wenn das Gerät entsorgt wird, müssen zuvor die Akkus

entfernt werden. Das Gerät muss von der Stromnetz getrennt sein, wenn die Akkus entnommen werden. Entsorgen Sie die Akkus ordnungsgemäß. Lassen Sie das Gerät laufen, bis die Akkus leer sind und es von selber stoppt. Gebrauchte Akkus sollten zum Recycling zurückgegeben und nicht mit dem Hausmüll entsorgt werden. Um die Akkus herauszunehmen, wenden Sie sich bitte an das Hoover-Kundendienst oder führen Sie folgende Schritte aus.

**WICHTIG:** Entladen Sie die Akkus zunächst vollständig, bevor Sie diese herausnehmen und vergewissern sich, dass das Ladegerät nicht angeschlossen ist.

Lassen Sie dafür das Gerät laufen, bis die Akkus vollständig entladen sind.

Ziehen Sie den Stecker des Ladegeräts aus dem Gerät.

Um den Akkupack auszuwerfen, drücken Sie auf die Akkupack-Freigabetaste. [5]

Ziehen Sie den Akku langsam aus dem Steckplatz. [5]

**HINWEIS:** Sollten Sie irgendwelche Schwierigkeiten beim Auseinandernehmen des Gerätes haben oder detailliertere Informationen zur Behandlung, Reparatur oder zum Recycling des Geräts benötigen, kontaktieren Sie bitte Ihre Stadtverwaltung oder den lokalen Entsorgungsdienst für Haushaltsabfälle.

Ersetzen Sie die Akkus nicht durch Einwegbatterien.

Verwenden Sie nur von HOOVER empfohlene oder gelieferte Zubehörteile, Verbrauchsmaterialien und Ersatzteile.

**Statische Aufladung:** Manche Teppiche können die Bildung statischer Elektrizität verursachen. Diese ist jedoch sehr gering und bei Entladung nicht gesundheitsschädlich.

Benutzen Sie das Gerät nicht im Freien, auf nassen Oberflächen oder zur Aufnahme von feuchtem Schmutz.

Vermeiden Sie es, harte oder scharfe Gegenstände,

Streichhölzer, heiße Asche, Zigarettenkippen oder Ähnliches aufzusaugen.

Niemals entzündliche Flüssigkeiten, Reinigungsmittel, Aerosole oder deren Dämpfe auf das Gerät sprühen oder damit aufsaugen.

Während des Betriebs nicht über das Netzkabel fahren. Nicht am Kabel ziehen, um den Gerätestecker aus der Steckdose zu ziehen.

Stellen Sie die Verwendung des Gerätes ein, wenn ein Defekt am Gerät vermutet wird.

**HOOVER-Kundendienst:** Um auf Dauer den sicheren und effizienten Betrieb dieses Gerätes zugewährleisten, empfehlen wir, Wartungs- und Reparaturarbeiten ausschließlich von einem zugelassenen HOOVER-Kundendienst durchführen zu lassen.

Treten Sie beim Gebrauch des Gerätes nicht auf das Netzkabel und wickeln es sich nicht um Arme oder Beine.

Benutzen Sie das Gerät nicht zur Reinigung von Menschen oder Tieren.

Positionieren Sie das Gerät bei der Reinigung von Treppen nicht oberhalb von Ihnen.

#### Umweltschutz

Das am Gerät angebrachte Symbol gibt an, dass dieses Gerät nicht als Hausmüll behandelt werden darf, sondern an einer entsprechenden Sammelstelle für das Recycling von elektrischen und elektronischen Geräten zu entsorgen ist. Die Entsorgung ist in Übereinstimmung mit allen geltenden Vorschriften für die umweltgerechte Abfallentsorgung vorzunehmen. Ausführlichere Informationen über die Müllbehandlung und das Recycling dieses Gerätes erhalten Sie von der zuständigen Umweltbehörde, der Müllentsorgungsstelle Ihrer Kommune oder dem Händler, bei dem Sie das Gerät erworben haben.



**CE** Dieses Gerät erfüllt die Europäischen Richtlinien 2014/35/EU, 2014/30/EU und 2011/65/EU.

CANDY HOOVER GROUP S.r.l. Via Privata Eden Fumagalli, 20861 Brugherio (MB) Italy

## GERÄTEBESCHREIBUNG

- |                                                           |                                      |
|-----------------------------------------------------------|--------------------------------------|
| A. Zubehörfachabdeckung                                   | Kb. Teleskoprohr-Längenverstellung** |
| B1. Halterung für Saugschlauch<br>(NanoPack-System)*      | L. Düsenschnappverschluss*           |
| B2. Halterung für Schlauchhandgriff<br>(NanoPack-System)* | M. Haupt-Düse**                      |
| B3. Halterung für Teleskoprohr<br>(NanoPack-System)*      | N. Umschaltbare Bodendüse*           |
| C. Leistungsregulierung*                                  | O. Akkupack-Freigabetaste            |
| D. Staubbehälterfachabdeckung                             | P. Akku                              |
| E. Verriegelung für<br>Staubbeutelfachabdeckung           | P1. LED-Akkuladezustandsanzeige      |
| F. EIN-/AUS-Schalter                                      | P2. Akkuladezustandstaste            |
| G. Staubbehälterfüllanzeige                               | P3. Ladegerätsanschluss              |
| H. Verriegelung für<br>Zubehörfachabdeckung               | Q. Ladegerät                         |
| I. Nebenluftregelung                                      | R. Staubbeutel                       |
| J. Saugschlauch                                           | S. Abluftfilter                      |
| K. Rasterteleskoprohr**                                   | T. Vormotorfilter                    |
| Ka. Teleskoprohr-Schnappverschluss*                       | U. Staubbeutelhalter                 |
|                                                           | V1. Fugendüse*                       |
|                                                           | V2. Möbelpinsel*                     |
|                                                           | V3. Polsterdüse*                     |
|                                                           | W. Hartbodendüse*                    |

## GERÄTEBESCHREIBUNG

Nehmen Sie alle Teile des Gerätes aus dem Karton.

1. Befestigen Sie den Schlauch am Gerät. Zum Abnehmen des Schlauches drücken Sie die beiden Schnappverschlüsse am Ende des Schlauchanschlusses und ziehen den Schlauch heraus. **[1]**
2. Das obere Ende des Teleskoprohrs am Handgriff befestigen. **[2]**
3. Schließen Sie das untere Ende des Rohrs an der Hartbodendüse\*\*, oder wenn benutzt, am Zubehör an. **[3]**
4. Setzen Sie den Akkupack ein und drücken Sie ihn fest in den Schlitz des Staubsaugers bis er in seiner Position eingerastet ist. Sie werden ein Klickgeräusch hören. **[4]**  
Zum Herausnehmen des Akkupacks drücken Sie auf die Freigabetaste auf dem Staubsauger und nehmen Sie ihn heraus.

## AKKUPACK LADEN UND BENUTZEN

Laden Sie den Akkupack vor der ersten Benutzung min. 5,5 Stunden lang auf.  
Um den Akkupack aufzuladen, nehmen Sie ihn aus Staubsauger heraus. Drücken Sie hierzu auf die Freigabetaste [5a] des Akkupacks und schließen Sie das Ladegerät am Ladeanschluss des Akkupacks an. Der Akkupack kann auch aufgeladen werden, wenn er sich im Staubsauger befindet. **[5b]**

Wenn das Ladegerät angeschlossen ist, leuchten während des Aufladens, abhängig vom Ladezustand, bis zu vier LED Batterieladezustandsleuchten auf.

Wenn der Akkupack voll aufgeladen ist, leuchten alle vier LED-Leuchten. Diese werden nach 5 Minuten ausgeschaltet.

**WICHTIG:** Die Ein-/Aus-Taste des Staubsaugers muss beim Laden immer auf die Position AUS geschaltet sein.

### LED-AKKULADEZUSTANDSANZEIGE:

- <15%, Blinkt
- 15%~25%
- 26%~50%
- 51%~75%
- 76%~100%

**WICHTIG:** Achten Sie vor dem Gebrauch stets darauf, dass die Akkukapazität ausreichend aufgeladen ist.

Laden Sie den Staubsauger auf, wenn nur eine LED-Kontrollleuchte blinkt (Restkapazität ≤ 15 %).

Wenn der Staubsauger benutzt wird, leuchtet die LED-Batterieanzeige und zeigt die Restkapazität an.

Wenn der Akku-Ladezustand ca. 20 % erreicht, weist ein akustischer Alarm, bestehend aus 3 Piepstönen, darauf hin, dass der Akku fast leer ist. Wenn der Akku nicht geladen wird, schaltet sich der Staubsauger in wenigen Minuten automatisch aus.

Wenn der Akkuladezustand ≤ 15% beträgt, blinkt die erste LED-Anzeige für 5 Sekunden, bevor sich der Staubsauger automatisch ausschaltet.

Wenn der Staubsauger nicht benutzt wird, kann die Restkapazität des Akkus durch Drücken der Akkuladezustandstaste (P2) überprüft werden. Die LED-Batterieanzeige leuchtet 5 Sekunden lang auf.

### WICHTIG:

1. Verwenden Sie zum Aufladen nur das mit dem Staubsauger mitgelieferte Ladegerät.
2. Ladetemperatur: 0~45°C.
3. Beim Aufladen des Staubsaugers schaltet sich der Staubsauger automatisch aus.
4. Es ist normal, dass sich das Ladegerät während des Ladevorgangs erwärmt.
5. Ziehen Sie im Fall einer längeren Abwesenheit, z.B. Urlaub usw. den Stecker des Ladegerätes aus der Steckdose.

**HINWEIS:** Um die Batterieleistung zu optimieren, sollten Sie den Akku regelmäßig oder mindestens einmal jährlich aufladen.

## GEBRAUCH DES GERÄTES

1. Das Teleskoprohr\*\* auf die gewünschte Länge einstellen, indem Sie den Freigabeknopf entriegeln. **[6]**
2. Schließen Sie das untere Ende des Teleskoprohrs an der Hauptdüse\*\* oder wenn benutzt, am Zubehör an. Im Falle, dass dieses Modell mit einer umschaltbaren Bodendüse\*\* ausgestattet ist, drücken Sie das Pedal zur Auswahl\* der Bodenart auf der Düse, um den idealen Reinigungsmodus auszuwählen: **[7]**

**Hartboden** – Der Borstenkranz wird zum Schutz des Bodens abgesenkt.  
**Teppichboden** – Besonders gründliche Reinigung durch Anheben des Borstenkranzes.

#### Universalbodendüse\*:

- **HartBOdenreinigung:** Drücken Sie das Pedal auf der Düse auf Hartbodenmodus und stellen Sie den Schieberegler auf der Düse auf ALLE BÖDEN. In dieser Position werden die Bürsten, Räder und das Wischblatt zum Schutz des Hartbodens abgesenkt. [8a]

- **Normale Teppichböden- und Vorlegerreinigung:** Drücken Sie das Pedal auf der Düse auf Teppichbodenmodus und stellen Sie den Schieberegler auf der Düse auf ALLE BÖDEN. In dieser Position werden die Bürsten und das Wischblatt angehoben, während die Räder abgesenkt bleiben, um die perfekte Bewegung auf diesen Böden zu erleichtern. [8b]

- **Tiefgehende Teppichreinigung:** Drücken Sie das Pedal auf der Düse auf Teppichbodenmodus und stellen Sie den Schieberegler auf der Düse auf TIEFGEHENDE TEPPICHREINIGUNG. In dieser Position werden die Bürsten, Räder und das Wischblatt für eine tiefgehende Reinigung Ihres Teppichbodens angehoben. [8c]

**WARNUNG: Um mögliche Kratzer auf Holzböden zu vermeiden, wird empfohlen, das Pedal nicht auf den Hartbodenmodus und den Schieberegler nicht auf tiefgehende Teppichreinigung einzustellen.**

3. Schalten Sie das Gerät ein, indem Sie die Ein-/Aus-Taste betätigen.
4. Die Saugleistung kann durch Schieben des Saugkraftreglers stufenlos eingestellt werden. [9]
5. Stellen Sie den Nebenluftregler am Handgriff auf die gewünschte Stufe ein.
6. Nach Gebrauch durch erneutes Betätigen der Ein-/Aus-Taste ausschalten.

## AUFBEWAHRUNG

1. Das Saugrohr kann während der Benutzung des Gerätes auf der Rückseite oder an der Unterseite des Gerätes vorübergehend geparkt werden. [10]
2. Saugschlauch, Teleskoprohr und Bodendüse können, wenn sie längere Zeit nicht benutzt werden, in der platzsparenden NanoPack™-Aufbewahrung gelagert werden\*: [11]
  - A. Schieben Sie das Teleskoprohr komplett bis auf die kürzeste Länge zusammen.
  - B. Entfernen Sie die Bodendüse vom Ende des Teleskoprohrs.
  - C. Nehmen Sie den Handgriff vom Teleskoprohr ab.
  - D. Dazu den Schlauchhalter hinten am Gerät anheben und den Saugschlauch um das Gerät wickeln.
  - E. Den Schlauchhandgriff an der entsprechenden Halterung am Gerät befestigen.
  - F. Verstauen Sie die Bodendüse an der dafür vorgesehenen Halterung auf der Unterseite des Gerätes.
  - G. Verstauen Sie das Teleskoprohr an der dafür vorgesehenen Halterung auf der Unterseite des Gerätes.

## WARTUNG DES GERÄTES

### Ersetzen des Staubbeutels

Wenn die Staubbeutelfüllanzeige rot aufleuchtet, überprüfen Sie bitte den Staubbeutel und ersetzen ihn gegebenenfalls.

1. Betätigen Sie die Entriegelung der Staubbeutelabdeckung [14], um diese zu öffnen. Versiegeln Sie den Staubbeutel, indem Sie an der Lasche ziehen und entfernen anschließend den Beutel [12]. Den vollen Staubbeutel dann vorsichtig entsorgen.
2. Neuen Staubbeutel wie darauf abgebildet falten und mit der Manschette in den Beutelhalter einsetzen. [13]
3. Die Staubbeutelabdeckung schließen.

**ACHTUNG:** Ist die Staubbeutelfüllanzeige rot, handelt es sich unter Umständen um eine Verstopfung des Saugtraktes oder der Staubbeutel hat sich mit Feinstaub zugesetzt. In diesem Fall das Kapitel „Verstopfung des Saugtraktes beheben“ beachten.

### Reinigung des Filters:

Zur Aufrechterhaltung der optimalen Leistungsfähigkeit Ihres Gerätes beide Filter spätestens nach jedem fünften Wechsel des Staubbeutels gründlich reinigen oder austauschen.

### Reinigung des Vormotorfilters:

1. Verriegelung der Staubbeutelabdeckung anheben, um die Staubbeutelabdeckung zu öffnen.
2. Ziehen Sie den Schutzrahmen vor dem Filter vorsichtig nach oben aus der Führung, um den Vormotorfilter herauszunehmen. [14]
3. Entfernen Sie den Filter aus der Halterung. [14]
4. Mit handwarmen Wasser reinigen, vollständig trocknen lassen und wieder in den Staubsauger einsetzen. [16,17,18]

### Reinigung des Abluftfilters:

1. Zum Entfernen des Abluftfilters die Staubbeutelabdeckung öffnen und die Filtereinheit herausnehmen. [15]
2. Waschen Sie den Filter mit lauwarmem Wasser und lassen Sie ihn vollständig trocknen, bevor Sie ihn wieder in den Staubsauger einsetzen. [16,17,19]

**ACHTUNG:** Verwenden Sie kein heißes Wasser und keine Reinigungsmittel. Sollte einer der Filter beschädigt sein, bitte nur gegen einen Hoover-Originalfilter austauschen. Nicht versuchen, das Gerät ohne eingesetzten Staubbeutel oder Filter in Betrieb zu nehmen.

### Reinigung des Permanentstaubbeutels\*\* (Geräteausstattung ist modellabhängig)

Die optimale Leistung erzielen Sie, wenn Sie den Permanentstaubbeutel spätestens nach jedem fünften Leeren gründlich auswaschen. Entfernen Sie überschüssiges Wasser und lassen ihn vor dem Einsetzen in den Staubsauger gründlich trocknen.

### Siehe „Verstopfung des Saugtraktes beheben“

Wenn die Staubbeutelfüllanzeige rot ist:

1. Prüfen, ob der Beutel voll ist. Wenn ja, siehe „Auswechseln des Staubbeutels“.
2. Ist der Staubbeutel nicht voll:
  - A. Müssen die Filter gereinigt werden? Wenn ja, siehe „Reinigung der Filter“.
  - B. Prüfen Sie, ob der Saugtrakt an einer anderen Stelle verstopft ist. - Entfernen Sie Verstopfungen im Teleskoprohr oder im Saugschlauch mit einem Stab.

**WARNUNG\*:** - Die Staubbeutelfüllanzeige leuchtet weiterhin rot, wenn das Gerät mit vollem Staubbeutel benutzt wird, eine Verstopfung vorhanden ist oder die Filter

\*Geräteausstattung ist modellabhängig \*\*Je nach Modell unterschiedlich



verschmutzt sind. Wenn das Gerät über einen Zeitraum von zehn Minuten bei roter Staubbeutelfüllanzeige benutzt wird, schaltet die Elektronik das Gerät aus, um die Gefahr einer Überhitzung zu vermeiden. Sollte eine Überhitzung auftreten, das Gerät ausschalten, den Netzstecker ziehen und den Fehler beheben (Siehe Eine Verstopfung beseitigen). Der Überhitzungsschutz wird nach dem Einschalten des Staubsaugers automatisch zurückgesetzt.

### Akkus wechseln

Dieser Staubsauger ist mit einem wiederaufladbaren, austauschbaren Lithium-Ionen-Akku ausgestattet.

**WARNUNG:** Verwenden Sie nur Hoover Originalersatzteile für Ihren Staubsauger. Das Verwenden von Teilen, die nicht von Hoover zugelassen wurden, ist gefährlich und führt eventuell dazu, dass Ihre Garantie erlischt.

**WARNUNG:** Versuchen Sie nicht den Akku zu öffnen und selbst zu reparieren.

1. Drücken Sie, um den Akkupack auszuwerfen, auf die Akkupack-Freigabetaste.
2. Ziehen Sie den Akkupack langsam aus dem Staubsauger.
3. Entfernen Sie die alten Batterien und ersetzen sie durch neue Batterien.
4. Entsorgen Sie die Akkus ordnungsgemäß. Gebrauchte Akkus sollten zum Recycling zurückgegeben und nicht mit dem Hausmüll entsorgt werden.

### Entsorgung der Akkus am Ende der Produktlebensdauer

Vor Entsorgung des Gerätes zuerst die Akkus entfernen. Gebrauchte Akkus sollten zum Recycling zurückgegeben und nicht mit dem Hausmüll entsorgt werden.

**WICHTIG:** Entladen Sie die Akkus zunächst vollständig, bevor Sie diese herausnehmen und vergewissern sich, dass das Ladegerät nicht angeschlossen ist.

1. Lassen Sie dafür das Gerät laufen, bis die Akkus vollständig entladen sind.
2. Drücken Sie, um den Akkupack auszuwerfen, auf die Akkupack-Freigabetaste.
3. Ziehen Sie den Akkupack langsam aus dem Staubsauger.
4. Bauen Sie die Akkus aus dem Staubsauger aus.

**Hinweis:** Falls Sie Schwierigkeiten beim Zerlegen der Einheit haben oder ausführlichere Informationen über die Müllbehandlung und das Recycling dieses Produktes wünschen, wenden Sie sich bitte an die zuständigen Umweltbehörden oder die Müllentsorgungsstelle Ihrer Gemeinde.

## ZUBEHÖR UND DÜSEN

Die Fugendüse\*, Möbeldüse\* und der Möbelpinsel\* befinden im Gerät unter der Zubehörfachabdeckung. Alle Zubehörteile können direkt am Handgriff oder am Ende des Teleskoprohrs befestigt werden. [20]

- **Fugendüse\*** – Ideal zur Reinigung von Ecken und schwer zugänglichen Bereichen. [V1]
- **Möbelpinsel\*** – Für Bücherregale, Bilderrahmen, Tastaturen und andere empfindliche Bereiche. [V2]
- **Polsterdüse\*** – Für Polstermöbel und Stoffe. [V3]
- **Hartbodendüse\*** – Ideal zur Reinigung von Parkettböden und anderen empfindlichen Hartböden. [W]

## CHECKLISTE

Bitte prüfen Sie die einzelnen Punkte dieser Prüfliste, bevor Sie sich bei einem Problem an Ihre zuständige HOOVER-Kundendienststelle wenden.

- Ist die Stromversorgung in Ordnung? Überprüfen Sie, ob die Akkus aufgeladen sind.
- Ist der Staubbeutel voll? Siehe „Wartung des Staubsaugers“.
- Ist einer der Filter zugesetzt? Siehe „Wartung des Staubsaugers“.
- Ist der Saugschlauch oder die Düse verstopft? Siehe „Verstopfung des Saugtraktes beheben“.
- Der Staubsauger schaltet sich nicht ein. Bitte überprüfen Sie, ob der Akku aufgeladen ist.
- Der Akku kann nicht geladen werden.
- Dies ist nach einem langen Zeitraum (über ein Jahr) der Nichtbenutzung/Lagerung möglich. Wenden Sie sich bitte an den Hoover-Kundendienst, um einen Austausch der Akkus zu veranlassen. Siehe „Akku ersetzen“.

**HINWEIS:** Die korrekte Spannung des Ladegeräts liegt zwischen 19 V und 22 V und der Ladestrom zwischen 1 A und 2 A.

## WICHTIGE INFORMATIONEN

### HOOVER Original Ersatz- und Verbrauchsteile

Verwenden Sie stets Originalersatzteile von HOOVER. Diese sind über Ihren Fachhändler oder den HOOVER Kundendienst erhältlich. Geben Sie bei der Bestellung von Ersatzteilen bitte stets die komplette 16stellige Artikelnummer (Typenplakette auf der Rückseite des Gerätes) Ihres Gerätemodells an.

- Akkupack:BAT18VLI 39800040

### Qualität

DIE HOOVER-Werke wurden unabhängig voneinander jeweils einer Qualitätsprüfung unterzogen. Unsere Produkte werden nach einem Qualitätsstandard hergestellt, der die Anforderungen von ISO 9001 erfüllt.

### Garantieerklärung

Die Garantiebestimmungen für dieses Gerät entsprechen den Richtlinien des Landes, in dem Sie das Gerät erworben haben. Weitere Einzelheiten dazu erhalten Sie vom Händler, bei dem Sie das Gerät erworben haben oder aus dem roten Garantieheft, das der Verpackung beiliegt. Bitte bewahren Sie den Kaufbeleg sorgfältig auf, denn er wird für eventuell auftretende Garantieansprüche benötigt.

**WICHTIG:** Die Garantie für den Akku in diesem Staubsauger beträgt 2 Jahre ab Kaufdatum. Nach Ablauf der 2 Jahre trägt der Kunde die Kosten für einen neuen Akku.

Änderungen vorbehalten.

## ISTRUZIONI PER UN USO SICURO

Questo apparecchio deve essere utilizzato esclusivamente in ambito domestico per interventi di pulizia, secondo le istruzioni riportate nel presente documento. Accertarsi di aver compreso le istruzioni prima di mettere in funzione l'apparecchio.

Non lasciare l'apparecchio collegato alla corrente. Prima di procedere alla pulizia dell'apparecchiatura o di effettuare qualsiasi operazione di manutenzione, spegnere sempre l'apparecchio e scollegare la spina.

Questo elettrodomestico non è destinato a essere utilizzato da persone dalle ridotte capacità fisiche, sensoriali o mentali (bambini inclusi), senza una adeguata assistenza o controllo da parte di una persona adulta responsabile della loro sicurezza. Controllare che i bambini non giochino con l'apparecchio. Pulizia e manutenzione non possono essere eseguite da bambini senza sorveglianza da parte di una persona responsabile.

Se il cavo di alimentazione è danneggiato, interrompere immediatamente l'utilizzo dell'apparecchio. Per evitare pericoli, il cavo di alimentazione dovrà essere sostituito da un tecnico del servizio assistenza autorizzato HOOVER.

Tenere le mani, i piedi, i capi di abbigliamento non attillati e i capelli lontani dalle spazzole rotanti.

Per ricaricare l'apparecchio, usare solo il caricatore in dotazione.

Controllare che i dati indicati sul caricatore corrispondano alla vostra tensione di alimentazione.

Questo prodotto Hoover è dotato di un caricabatteria doppio isolato che può essere collegato unicamente a una presa 230V (UK 240V).

Inserire la spina del caricatore in una presa adatta e

collegare il connettore jack del caricatore all'apparecchio.

Al primo utilizzo caricare il gruppo batteria per almeno 5.5 ore.

Per caricare il gruppo batteria premere il tasto di rilascio per staccarlo dall'apparecchio e collegare il caricatore tramite il dispositivo d'accesso di ricarica situato sul gruppo batteria stesso.

È possibile caricare il gruppo batteria anche quando è inserito nell'apparecchio. [5]

Assicurarsi che l'apparecchio sia spento durante la ricarica.

Quando il caricatore è collegato, le luci a LED dell'indicatore carica batteria situato sul gruppo batteria si accendono progressivamente durante la ricarica fino ad essere tutte e 4 illuminate.

A ricarica completata, le 4 luci LED rimangono accese per 5 minuti poi si spegneranno.

Dopo l'uso, ricollegare l'apparecchio al caricatore per ricaricare le batterie.

Mai caricare le batterie a temperature superiori ai 45 °C o inferiori a 0 °C.

È normale che il caricatore si scaldi mentre lavora. Durante la ricarica l'apparecchio si spegne automaticamente.

Non scollegare il caricatore tirando il cavo.

Scollegare il caricatore in caso di assenza prolungata (ferie, ecc.). Dopo lunghi periodi di inutilizzo ricaricare l'apparecchio perchè le batterie potrebbero essersi scaricate automaticamente.

Se l'apparecchio è da smaltire, le batterie devono prima essere rimosse. Rimuovere la batteria solo quando l'apparecchio è scollegato dalla rete di alimentazione.

Smaltire le batterie in sicurezza. Far funzionare l'apparecchio fino al suo arresto ed assicurarsi che le batterie siano completamente scariche. Le batterie usate devono essere riposte in un centro di riciclaggio e non smaltite con i rifiuti domestici. Per rimuovere le batterie, si prega di contattare il Centro Servizi per Assistenza Clienti Hoover o procedere in base alle seguenti istruzioni.

**IMPORTANTE:** Scaricare sempre completamente le batterie prima della rimozione ed assicurarsi che il caricatore sia scollegato.

Procedere con la pulizia fino a quando le batterie sono completamente scariche.

Rimuovere il connettore jack per la ricarica dall'apparecchio.

Premere il pulsante di rilascio per estrarre il gruppo batteria. [5]

Estrarre lentamente la batteria dal suo alloggiamento. [5]

**NOTA:** Se si riscontrano difficoltà a smantellare l'unità o per informazioni più dettagliate sul trattamento, recupero e riciclaggio di questo apparecchio, si prega di contattare l'ufficio comunale per il servizio smaltimento rifiuti.

Non sostituire le batterie con batterie non ricaricabili

Utilizzare solo accessori o parti di consumo e di ricambio consigliati o forniti da HOOVER.

**Elettricità statica:** Alcuni tappeti possono produrre un piccolo accumulo di elettricità statica. Le cariche di elettricità statica non sono pericolose per la salute.

Non utilizzare l'apparecchio all'aperto, su superfici bagnate o per aspirare liquidi.

Non aspirare oggetti solidi o appuntiti, fiammiferi, ceneri calde, mozziconi di sigaretta o similari.

Non vaporizzare o aspirare liquidi infiammabili, detergenti, aerosol o i loro vapori.

Non calpestare il cavo di alimentazione durante l'utilizzo dell'apparecchio o scollegare la spina dalla presa tirando il cavo di alimentazione.

Non continuare a utilizzare l'apparecchio in caso di presunto guasto.

**Assistenza HOOVER:** Per garantire un funzionamento sempre sicuro ed efficiente dell'apparecchiatura, si consiglia di fare eseguire eventuali interventi di assistenza o di riparazione dai tecnici del servizio assistenza autorizzato HOOVER.

Non calpestare il cavo di alimentazione o avvolgerlo intorno alle braccia o alle gambe mentre si usa l'apparecchio.


Non utilizzare l'apparecchio per l'igiene della persona o degli animali.

Non collocare l'apparecchio in una posizione più bassa rispetto alla propria quando si puliscono delle scale.

#### Ambiente:

Il simbolo apposto sul prodotto indica che lo stesso non può essere smaltito come i normali rifiuti domestici, bensì deve essere portato al punto di raccolta o al centro di riciclaggio delle apparecchiature elettriche ed elettroniche più vicino. Lo smaltimento deve essere eseguito in conformità alle normative locali vigenti per la salvaguardia dell'ambiente e lo smaltimento dei rifiuti. Per ulteriori informazioni sul trattamento, il recupero e il riciclaggio di questo prodotto, contattare l'unità territoriale competente per il servizio di smaltimento o il negozio in cui il prodotto è stato acquistato.



 Questo prodotto è conforme alle Direttive Europee 2014/35/EU, 2014/30/EU e 2011/65/EU.

CANDY HOOVER GROUP S.r.l. Via Privata Eden Fumagalli, 20861 Brugherio (MB) Italy

## DESCRIZIONE DELL'APPARECCHIO

- |                                                        |                                         |
|--------------------------------------------------------|-----------------------------------------|
| A. Sportello accessori                                 | L. Levetta spazzola*                    |
| B1. Supporto tubo flessibile*                          | M. Spazzola principale**                |
| B2. Supporto impugnatura*                              | N. Spazzola per tappeti e pavimenti*    |
| B3. Supporto tubo*                                     | O. Pedale di rilascio batteria          |
| C. Controllo potenza variabile*                        | P. Batteria                             |
| D. Sportello del sacco                                 | P1. Luci LED indicatori di ricarica     |
| E. Levetta sblocco coperchio del sacco                 | P2. Pulsante livello di carica batteria |
| F. Pulsante a pedale Accensione/<br>Spegnimento        | P3. Accesso dispositivo di ricarica     |
| G. Indicatore di controllo sacco pieno                 | Q. Caricatore                           |
| H. Levetta sblocco sportello accessori                 | R. Sacco                                |
| I. Regolatore forza aspirante                          | S. Filtro in uscita                     |
| J. Tubo flessibile                                     | T. Filtro Pre-Motore                    |
| K. Tubo telescopico**                                  | U. Portasacco                           |
| Ka. Levetta tubo telescopico*                          | V1. Bocchetta per fessure*              |
| Kb. Dispositivo di controllo del<br>tubo telescopico** | V2. Spazzola a pennello*                |
|                                                        | V3. Bocchetta tutti gli usi*            |
|                                                        | W. Spazzola Parquet*                    |

## DESCRIZIONE DELL'APPARECCHIO

Disimballare tutti i componenti.

1. Inserire il tubo flessibile nel corpo principale dall'apparecchio. Per disinserire il tubo, è sufficiente premere le due levette all'estremità del tubo flessibile e tirare. **[1]**
2. Collegare l'impugnatura all'estremità superiore del tubo. **[2]**
3. Collegare l'estremità inferiore del tubo alla spazzola per pavimenti duri\*\* o, se necessario, agli accessori. **[3]**
4. Inserire il gruppo batteria nell'apparecchio spingendolo nel suo alloggiamento fino ad udire un click quando sarà collegato. **[4]** Premere il pulsante di rilascio gruppo batteria sull'apparecchio ed estrarre la batteria.

## CARICAMENTO ED USO DEL GRUPPO BATTERIA

Al primo utilizzo caricare il gruppo batteria per almeno 5.5 ore.

Per caricare il gruppo batteria premere il suo pedale di rilascio **[5a]** per staccarlo dall'apparecchio e collegare il caricatore tramite il dispositivo d'accesso di ricarica situato sul gruppo batteria stesso. È possibile caricare il gruppo batteria anche quando è inserito nell'apparecchio. **[5b]**

Quando il caricatore è collegato, le luci a LED dell'indicatore carica batteria situato sul gruppo batteria si accendono progressivamente durante la ricarica fino ad essere tutte e 4 illuminate.

A ricarica completata, le 4 luci LED rimangono accese per 5 minuti poi si spegneranno. **IMPORTANTE:** Durante la carica, il pedale di acceso/spento (On/Off) dell'apparecchio deve trovarsi in posizione OFF.

### LUCI LED INDICATORI DI RICARICA:

- <15%, lampeggiante
- 15%~25%
- 26%~50%
- 51%~75%
- 76%~100%

**IMPORTANTE:** Prima dell'uso accertarsi che la batteria abbia sufficiente carica. Ricaricare l'apparecchio quando una sola luce LED lampeggia (carica rimanente  $\leq 15\%$ ).

Durante l'utilizzo, le luci LED indicano la carica rimanente.

Quando il livello di carica della batteria è circa al 20%, un allarme sonoro, composto da 3 bip, segnala che la batteria sta per esaurirsi. Se non viene effettuata la ricarica, dopo alcuni minuti l'apparecchio si spegne automaticamente.

Quando la batteria ha una carica  $\leq 15\%$ , la prima luce LED lampeggia per 5 secondi, poi l'apparecchio si spegne automaticamente.

Quando l'apparecchio non è in uso è possibile controllare il livello di carica della batteria premendo il pulsante Livello Carica Batteria (**P2**). Le luci LED indicatrici del livello carica batteria rimarranno accese per 5 secondi.

### IMPORTANTE:

1. Usare solo il caricatore in dotazione.
2. Temperatura di ricarica: 0~45°C.
3. Durante la ricarica l'apparecchio si spegne automaticamente.
4. È normale che il caricatore si scaldi mentre lavora.
5. Scollegare il caricatore in caso di assenza prolungata (ferie, ecc.).

**NOTA:** Per ottimizzare le performances della batteria si consiglia di ricaricare il gruppo batteria completamente, regolarmente **o almeno una volta all'anno**.

## UTILIZZO DELL'APPARECCHIO

1. Regolare il tubo telescopico all'altezza desiderata spostando il dispositivo di controllo del tubo telescopico\*\* e sollevando o abbassando il tubo fino a trovare la posizione di pulizia più confortevole. **[6]**
2. Collegare l'estremità inferiore del tubo telescopico alla spazzola principale\*\* o, se necessario, agli accessori. Se il vostro modello è dotato di spazzola per tappeti e pavimenti\*\*, premere il pedale sulla spazzola\* per selezionare la modalità di pulizia ideale per il tipo di pavimento: **[7]**

**Pavimento** – Le setole si abbassano per proteggere il pavimento.

**Tappeto/moquette** – Le setole si sollevano per garantire una pulizia più in profondità.

**Spazzola tappeti e pavimenti\*:**

- **Pulizia pavimentazioni dure:** Premere il pedale sulla spazzola in modalità "Pavimenti Duri" e selezionare con il cursore sulla spazzola la modalità "TUTTI I PAVIMENTI". In questa modalità spazzole, ruote e spatole tergicristallo vengono abbassate per proteggere i pavimenti duri. [8a]

- **Pulizia standard per tappeti e moquette:** Premere il pedale sulla spazzola in modalità "Tappeti" e selezionare con il cursore sulla spazzola la modalità "TUTTI I PAVIMENTI". In questa modalità spazzole e spatole tergicristallo vengono sollevate, mentre le ruote sono abbassate per facilitare il movimento su queste superfici. [8b]

- **Pulizia profonda per tappeti:** Premere il pedale sulla spazzola in modalità "Tappeti" e selezionare con il cursore sulla spazzola la modalità "PULIZIA PROFONDA TAPPETI". In questa modalità spazzole, ruote e spatole tergicristallo vengono sollevate per pulire a fondo il tappeto. [8c]

**ATTENZIONE: Per evitare graffiature a pavimenti in legno prestare attenzione e non posizionare il pedale in modalità "Pavimenti duri" e il cursore in modalità "PULIZIA PROFONDA TAPPETI".**

3. Accendere l'apparecchio premendo il pulsante a pedale di accensione/spengimento sul corpo principale dell'aspirapolvere.
4. Far scorrere il dispositivo di controllo di potenza variabile per aumentare o diminuire il livello di aspirazione. [9]
5. Regolare il regolatore di forza aspirante sul livello desiderato.
6. Dopo l'uso, spegnere l'apparecchio premendo il pulsante a pedale di accensione/spengimento.

**STAZIONAMENTO E PARCHEGGIO**

1. È possibile parcheggiare temporaneamente, sul retro o sulla parte inferiore dell'apparecchio, il tubo durante l'uso, oppure riporlo quando l'apparecchio non viene utilizzato. [10]
2. Quando non in uso\*, il tubo flessibile, il tubo e la spazzola possono essere riposte in posizione Nano Pack™. [11]
  - A. Riavvolgere il tubo telescopico per tutta la sua lunghezza.
  - B. Rimuovere la spazzola dall'estremità del tubo telescopico.
  - C. Rimuovere l'impugnatura del tubo dal tubo telescopico.
  - D. Sollevare il gancio del tubo sul retro dell'apparecchio e avvolgere il tubo flessibile attorno al prodotto.
  - E. Parcheggiare l'impugnatura del tubo flessibile sul prodotto servendosi del supporto impugnatura.
  - F. Assemblare la spazzola nell'alloggio sotto il prodotto.
  - G. Assemblare il tubo telescopico nel restante alloggio sotto il prodotto.

**MANUTENZIONE DELL'APPARECCHIO****Sostituzione del sacco raccogli-polvere**

Se l'indicatore di controllo sacco pieno è rosso, o se comunque risulta necessario sostituire il sacco:

1. Sollevare la levetta di sblocco sportello sacco per aprirlo, chiudere il sacco tirando la linguetta per evitare che la polvere fuoriesca e rimuovere il sacco [12]. Il sacco pieno dovrà essere smaltito con cura e secondo le norme vigenti.
2. Inserire un nuovo sacco come mostrato in figura e montare il collo del sacco nel portasacco. [13]
3. Chiudere lo sportello del sacco raccogli-polvere.

**NOTA:** La spia di verifica sacco può essere rossa se si è verificata un'ostruzione. In questo caso, vedere la sezione "Rimozione di un'ostruzione dal sistema".

**Pulizia del filtro:**

Per mantenere prestazioni ottimali dell'aspirapolvere nel tempo, lavare il filtro pre-motore e il filtro in uscita ogni 5 cambi del sacco.

**Pulitura del filtro pre-motore:**

1. Sollevare la levetta di sblocco sportello sacco per aprire lo sportello.
2. Per rimuovere il filtro pre-motore far scorrere il telaio del filtro premotore estraendolo dall'aspirapolvere. [14]
3. Rimuovere il filtro dal portafiltro. [14]
4. Lavarlo in acqua tiepida e lasciare che si asciughi completamente prima di reinserirlo nell'aspiratore. [16,17,18]

**Pulitura del filtro in uscita:**

1. Per rimuovere il filtro in uscita, aprire lo sportello del sacco e togliere il gruppo filtro. [15]
2. Lavare il filtro in acqua tiepida e lasciare che si asciughi completamente prima di reinserirlo nell'aspiratore. [16,17,19]

**NOTA:** Non utilizzare acqua bollente o detersivi. Se accidentalmente i filtri vengono danneggiati, sostituirli con ricambi originali Hoover. Non tentare di utilizzare l'apparecchio senza sacco o senza filtro.

**Pulitura del sacco raccogli-polvere permanente\* (solo per alcuni modelli)**

Per mantenere prestazioni ottimali nel tempo, consigliamo di lavare con acqua tiepida il sacco permanente ogni 5 riempimenti del sacco. Eliminare l'acqua in eccesso e lasciarlo asciugare completamente prima di reinserirlo nell'apparecchio.

**Rimozione di un'ostruzione dal sistema**

Se la spia di verifica sacco è rossa:

1. Controllare se il sacco raccogli-polvere è pieno. Se così, vedere la sezione "Sostituzione del sacco raccogli-polvere".
2. Se non è pieno, controllare se:
  - A. Potrebbe essere necessario pulire i filtri. Se così, vedere la sezione "Pulizia del filtro"
  - B. Controllare che non vi siano altre ostruzioni nel sistema. - Utilizzare un'asticella o un bastoncino per rimuovere eventuali ostruzioni dal tubo telescopico o dal tubo flessibile.

\*Solo su alcuni modelli

\*\*Possono variare secondo il modello

**ATTENZIONE\*:** - L'indicatore di controllo del sacco rimarrà rosso se l'aspirapolvere viene utilizzato con il sacco pieno, se è presente un'ostruzione o se i filtri sono sporchi. Se l'aspirapolvere viene utilizzato per più di dieci minuti con l'indicatore di controllo del sacco rosso, la funzione di arresto elettronico spegnerà l'apparecchio per impedire che si verifichi un surriscaldamento. In questi casi, spegnere l'apparecchio, scollegare la spina e risolvere il problema (vedi "Rimozione di un'ostruzione"). L'arresto e la rimozione del problema, resetteranno automaticamente l'apparecchio.

### Sostituzione della batteria

L'apparecchio è dotato di un set di batterie ricaricabili agli ioni di litio che possono essere sostituite.

**ATTENZIONE:** Utilizzare solo parti di ricambio originali per il vostro apparecchio. L'uso di parti non originali Hoover può risultare pericoloso ed invalida la garanzia.

**ATTENZIONE:** Non tentare di aprire o riparare la batteria.

1. Premere il pulsante di rilascio batteria che permetterà l'espulsione automatica del gruppo batteria.
2. Estrarre lentamente il gruppo batteria dall'apparecchio.
3. Estrarre il vecchio gruppo batteria e sostituirlo con uno nuovo.
4. Smaltire le batterie in sicurezza. Le batterie usate devono essere riposte in un centro di riciclaggio e non smaltite con i rifiuti domestici.

### Disposizioni sullo smaltimento della batteria a fine vita dell'apparecchio

Se l'apparecchio è da smaltire, le batterie devono essere rimosse. Le batterie usate devono essere riposte in un centro di riciclaggio e non smaltite con i rifiuti domestici.

**IMPORTANTE:** Scaricare sempre completamente le batterie prima della rimozione ed assicurarsi che il caricatore sia scollegato.

1. Procedere con la pulizia fino a quando le batterie sono completamente scariche.
2. Premere il pulsante di rilascio batteria che permetterà l'espulsione automatica del gruppo batteria.
3. Estrarre lentamente il gruppo batteria dall'apparecchio.
4. Rimuovere le batterie dall'apparecchio.

**Nota:** Se si riscontrano difficoltà a smantellare l'unità o per informazioni più dettagliate sul trattamento, recupero e riciclaggio di questo apparecchio, si prega di contattare l'ufficio comunale per il servizio smaltimento rifiuti.

## ACCESSORI E SPAZZOLE

La bocchetta per fessure\*, la bocchetta per tutti gli usi\* e la spazzola a pennello\* sono riposte nell'apparecchio sotto lo sportello accessori. Tutti gli accessori possono essere inseriti nell'impugnatura o all'estremità del tubo telescopico. [20]

- **Bocchetta per fessure\*** – Per angoli e punti difficili da raggiungere. [V1]
- **Spazzola a pennello\*** – Per librerie, cornici, tastiere e altre superfici delicate. [V2]
- **Bocchetta tutti gli usi\*** – Per imbottiti e tessuti. [V3]
- **Spazzola Parquet\*** – Per parquet e pavimenti delicati. [W]

## CHECKLIST UTENTE

In caso di problemi con l'apparecchio, completare questa semplice checklist utente prima di chiamare il Centro per l'Assistenza Clienti HOOVER:

- La presa elettrica a cui è collegato l'apparecchio è funzionante? Controllare che l'apparecchio sia carico.
- Il sacco raccogliore è pieno? Vedere "Manutenzione dell'apparecchio".
- Il filtro è ostruito? Vedere "Manutenzione dell'apparecchio".
- Il tubo flessibile o la bocchetta sono ostruiti? Vedere "Rimozione di un'ostruzione dal sistema".
- L'apparecchio non si accende? Controllare che la batteria sia carica.
- La batteria può non essere carica?
- Potrebbe essere a causa di lunghi periodi di conservazione (oltre un anno) Contattare un Centro per l'Assistenza Clienti Hoover per la sostituzione delle batterie. Vedere la sezione "Sostituzione della batteria".

**NOTA:** Il voltaggio del caricatore è di 19V a 22V e la corrente è da 1A a 2A.

## INFORMAZIONI IMPORTANTI

### Parti di ricambio e materiali di consumo HOOVER

Utilizzare sempre parti di ricambio originali HOOVER, che è possibile acquistare dal distributore locale HOOVER o direttamente dalla Hoover. Quando si ordinano delle parti di ricambio, ricordarsi sempre di fornire il numero di modello dell'apparecchio utilizzato.

- Set batteria: BAT18VLI 39800040

### Qualità

LA QUALITÀ degli stabilimenti Hoover è stata sottoposta a valutazione indipendente. I nostri prodotti vengono realizzati mediante un sistema di qualità che soddisfa i requisiti ISO 9001.

### Regolamento per la garanzia

Le condizioni di garanzia relative a questo apparecchio sono definite dal rappresentate Hoover nel Paese di vendita. Per conoscere in dettaglio le condizioni, rivolgersi al distributore Hoover presso il quale l'apparecchio è stato acquistato. Per ogni contestazione ai sensi dei termini della garanzia, è necessario mostrare la fattura o un documento di acquisto equipollente.

**IMPORTANTE:** La batteria di questo apparecchio è garantita per 2 anno dalla data di acquisto. Dopo 2 anni il cliente potrebbe dover acquistare una nuova batteria.

Queste condizioni potrebbero venire modificate senza obbligo di preavviso.

## INSTRUCTIES VOOR VEILIG GEBRUIK

Dit toestel mag enkel gebruikt worden voor reiniging in het huis, zoals beschreven in deze gebruikersgids. Zorg ervoor dat u de instructies volledig begrijpt voordat u het apparaat in gebruik neemt.

Laat het toestel nooit aangesloten achter. Schakel het toestel altijd uit en verwijder de stekker uit het stopcontact na gebruik, of voor het reinigen van het toestel of bij elke onderhoudstaak.

Dit toestel kan gebruikt worden door kinderen vanaf 8 jaar en ouder en personen met verminderde lichamelijke, zintuiglijke of mentale capaciteiten of een gebrek aan ervaring of kennis indien ze toezicht of onderricht gehad hebben betreffende het veilig gebruik van het toestel en het begrip van de gevaren in kwestie. Kinderen mogen niet met het toestel spelen. Reinigings- en gebruiksonderhoud mag niet uitgevoerd worden door kinderen zonder toezicht.

Indien het stroomsnoer beschadigd is, stop dan onmiddellijk met het toestel te gebruiken. Om veiligheidsgevaar te vermijden, mag enkel een erkende HOOVER dienstingenieur de stroomkabel vervangen.

Houd handen, voeten, losse kleding en haar uit de buurt van roterende borstels.

Gebruik alleen de oplader die oorspronkelijk bij het toestel geleverd is.

Controleer of uw netspanning dezelfde is als die vermeld op de lader.

Dit Hoover-apparaat is voorzien van een dubbel geïsoleerde batterijoplader, die alleen geschikt is om in een 230V (UK 240V) stopcontact te steken.

Steek de oplader in een geschikt stopcontact en steek de

aansluitingstekker van de oplader in het apparaat.

Laad de batterij 5,5 uur op voor het eerste gebruik.

Haal de batterij los van de stofzuiger om hem op te laden. Druk op de ontgrendelingsknop om de batterij los te halen en sluit de oplader aan op de aansluiting op de batterij.

De batterij kan ook worden geladen terwijl hij vast zit aan de stofzuiger. **[5]**

Zorg dat de stofzuiger is uitgeschakeld tijdens het laden.

Als de lader is aangesloten, gaan de ledlampjes op de batterij één voor één aan terwijl de batterij oplaadt. Als ze alle vier branden, is de batterij volledig geladen.

Als de batterij volledig is geladen, branden de vier ledlampjes gedurende 5 minuten. Daarna gaan ze uit.

Sluit het toestel na gebruik aan de oplader aan om de batterij weer op te laden.

Laad de batterijen niet op bij temperaturen boven 45°C of onder 0°C.

Het is normaal dat de lader warm wordt bij het opladen. Als de batterij wordt geladen, schakelt de stofzuiger automatisch uit.

Trek de oplader niet aan de kabel uit het stopcontact.

Haal bij langere afwezigheid (vakanties, etc.) de oplader uit het stopcontact. Laad het product opnieuw op voor gebruik, aangezien batterijen uit zichzelf kunnen ontladen tijdens langere opslagperiodes.

In het geval dat u het apparaat weg doet, dienen de batterijen eerst verwijderd te worden. Bij het verwijderen van de batterij moet het apparaat ontkoppeld zijn van het net. Gooi de batterijen veilig weg. Laat het apparaat doorwerken totdat het stopt en de batterijen volledig ontladen zijn.

Gebruikte batterijen moeten naar een recyclagecentrum gebracht worden en niet bij het huishoudafval worden. Om de batterijen te verwijderen neem contact op met de Hoover klantendienst, of ga verder volgens deze instructies.

**BELANGRIJK:** Ontlaad de batterijen volledig alvorens deze te verwijderen en ontkoppel de lader.

Laat de reiniger draaien totdat de batterijen helemaal leeg zijn.

Verwijder de jack plug van de oplader uit het toestel.

Druk op de ontgrendelingsknop van de accu en verwijder de accu. [5]

Trek de accu langzaam uit de sleuf. [5]

**OPMERKING:** Mocht u enige problemen ondervinden met het uit elkaar halen van het voorwerp, of voor meer gedetailleerde informatie over behandeling, herstel en recyclage van dit apparaat, neem contact op met uw lokale gemeente of de afvalreinigingsdienst.

Vervang de batterijen niet met onoplaadbare batterijen.

Gebruik enkel verlengstukken, verbruiksartikelen of reserveonderdelen aanbevolen of geleverd door HOOVER.

**Statische elektriciteit:** Sommige tapijten kunnen een kleine opbouw van statische elektriciteit veroorzaken. Ontladingen van statische elektriciteit zijn onschadelijk voor uw gezondheid.

Gebruik je toestel nooit buiten of op natte oppervlaktes of om vocht op te nemen.

Raap geen harde of scherpe objecten op zoals lucifers, hete assen, sigaretten of andere gelijkaardige items.

Spuit niet met ontvlambare vloeistoffen,

reinigingsvloeistoffen, aerosols of hun dampen en zuig ze ook niet op.

Loop niet over het stroomsnoer wanneer je het toestel gebruikt of verwijder de stekker niet door aan het stroomsnoer te trekken.

Blijf dit toestel niet gebruiken wanneer het defect blijkt.

**HOOVER dienstverlening:** Om de blijvende veilige en efficiënte werking van dit toestel te verzekeren, bevelen we aan dat alle herstellingen uitgevoerd worden door een erkende HOOVER dienstingenieur.

Niet op het snoer staan of het snoer rond armen of benen winden terwijl je het toestel gebruikt.

Gebruik het toestel niet om dieren of mensen te reinigen.

Plaats het toestel niet boven je tijdens het reinigen van de trap.

#### Het milieu

Het symbool op dit toestel duidt aan dat dit toestel niet mag behandeld worden als huishoudelijk afval. In de plaats daarvan moet het overhandigd worden aan het geschikte verzamelpunt voor de recyclage van elektrische en elektronische uitrusting. U moet het toestel weggooien in overeenstemming met de lokale voorschriften voor afvalverwerking. Voor meer gedetailleerde informatie over behandeling, herstel en recyclage van dit toestel, gelieve je lokale gemeentebestuur te contacteren, je dienst voor huishoud- en afvalverwerking of de winkel waar je het toestel kocht.



**CE** Dit apparaat voldoet aan de Europese Richtlijnen 2014/35/EU, 2014/30/EU en 2011/65/EU.

CANDY HOOVER GROUP S.r.l. Via Privata Eden Fumagalli, 20861 Brugherio (MB) Italy



## LEER JE REINIGER KENNEN

- |                                        |                                   |
|----------------------------------------|-----------------------------------|
| A. Deur Accessoires                    | M. Hoofdmondstuk**                |
| B1. Slanghouder*                       | N. Tapijt en vloermondstuk*       |
| B2. Handvathouder*                     | O. Ontgrendelingsknop batterij    |
| B3. Buishouder*                        | P. Batterijpak                    |
| C. Variabele zuigkrachtbesturing*      | P1. Led-indicatorlampjes batterij |
| D. Zakklep                             | P2. Knop laadniveau batterij      |
| E. Deurklink Zak                       | P3. Aansluiting oplader           |
| F. Aan/uit-knop                        | Q. Oplader                        |
| G. Indicator zakcontrole               | R. Zak                            |
| H. Deurklink Accessoires               | S. Uitlaat Filter                 |
| I. Zuigkrachtregeling                  | T. Pre-motor filter               |
| J. Slang                               | U. Zakhouder                      |
| K. Telescopische buis**                | V1. Kierenmondstuk*               |
| Ka. Telescopische buisvergrendeling*   | V2. Stofborstel*                  |
| Kb. Regelaar voor telescopische buis** | V3. Meubelmondstuk*               |
| L. Mondstukgrendel*                    | W. Parketzuigmond*                |

## LEER JE REINIGER KENNEN

Verwijder alle onderdelen uit de verpakking.

1. Verbind de slang met het hoofdlichaam van de stofzuiger. Om de slang te verwijderen: druk de twee vergrendelingspallen aan het slanguiteinde in en trek de slang eruit. **[1]**
2. Bevestig de handgreep op de bovenzijde van de buis. **[2]**
3. Koppel het lagere uiteinde van de buis aan het mondstuk voor een harde ondergrond\*\* of aan de accessoires, indien nodig. **[3]**
4. Schuif de batterij in de daarvoor bedoelde opening in de stofzuiger. U hoort een klik als de batterij goed op zijn plaats zit. **[4]** Druk op de ontgrendelingsknop op de stofzuiger om de batterij los te halen. Haal de batterij uit het toestel.

## OPLADEN EN GEBRUIKEN VAN DE BATTERIJ

Laad de batterij 5,5 uur op voor het eerste gebruik.

Haal de batterij los van de stofzuiger om hem op te laden. Druk op de ontgrendelingsknop **[5a]** om de batterij los te halen en sluit de oplader aan op de aansluiting op de batterij. De batterij kan ook worden geladen terwijl hij vast zit aan de stofzuiger. **[5b]**

Als de lader is aangesloten, gaan de ledlampjes op de batterij één voor één aan terwijl de

batterij oplaadt. Als ze alle vier branden, is de batterij volledig geladen.

Als de batterij volledig is geladen, branden de vier ledlampjes gedurende 5 minuten. Daarna gaan ze uit.

**BELANGRIJK:** De aan/uitknop moet altijd in de UIT-positie staan tijdens het laden.

### LED-INDICATORLAMPJES BATTERIJ:

- <15%, knipperend
- 15%~25%
- 26%~50%
- 51%~75%
- 76%~100%

**BELANGRIJK:** Zorg er altijd voor dat de batterij voldoende is opgeladen vóór gebruik. Laad de stofzuiger op als er één ledlampje knippert (laadniveau ≤ 15%).

Als de stofzuiger in gebruik is, geven de ledlampjes van de batterij het laadniveau aan. Wanneer het laadniveau van de batterij ongeveer 20% is, geeft een geluidssignaal van 3 pieptonen aan dat de batterij bijna leeg is. Als de batterij niet wordt geladen, schakelt het apparaat na enkele minuten automatisch uit.

Als het laadniveau ≤ 15% is, knippert het eerste ledlampje gedurende 5 seconden voordat de stofzuiger automatisch uitschakelt.

Als de stofzuiger niet in gebruik is, kunt u het laadniveau van de batterij controleren door op de knop laadniveau batterij (**P2**) te drukken. De led-indicatorlampjes van de batterij blijven gedurende 5 seconden branden.

### BELANGRIJK:

1. Gebruik alleen de bij de stofzuiger geleverde oplader.
2. Laadtemperatuur: 0~45°C.
3. Als de batterij wordt geladen, schakelt de stofzuiger automatisch uit.
4. Het is normaal dat de lader warm wordt bij het opladen.
5. Haal bij langere afwezigheid (vakanties, etc.) de oplader uit het stopcontact.

**OPMERKING:** Voor de beste prestaties moet de batterij regelmatig helemaal worden opgeladen, of tenminste éénmaal per jaar.

## UW STOFZUIGER GEBRUIKEN

1. Pas de telescopische buis aan op gewenste hoogte door de telescopische buis aanpasser te bewegen\*\* en hef de buis op of verlaag het naar de meest comfortabele reinigingspositie. **[6]**
2. Verbind het einde van de uitschuifbare buis met het hoofdmondstuk\*\* of met een accessoire. Indien het model voorzien is van een mondstuk voor een tapijt en vloer\*\*, druk dan op de ondergrondkeuzepedaal\* op het mondstuk om de beste schoonmaakmodus te selecteren. **[7]**

**Harde vloer** – De borstels wijzen naar beneden en beschermen zo de vloer.

**Tapijt** – De borstels zijn ingetrokken om zo diep mogelijk te kunnen zuigen.

**Tapijt- & vloermondstuk\*:**

- **Reiniging van harde vloer:** Druk de knop op het mondstuk naar de harde-vloer-stand en zet de schuifknop op het mondstuk op ALLE VLOERTYPEN. In deze stand worden de borstels, wielen en wisser omlaag gebracht om harde vloeren te beschermen. [8a]

- **Standaardreiniging van tapijt en vloerkleden:** Druk de knop op het mondstuk naar de tapijtstand en zet de schuifknop op het mondstuk op ALLE VLOERTYPEN. In deze stand worden de borstels en de wisser omhoog gehaald en zijn de wielen omlaag gebracht zodat eenvoudig over elk oppervlak kan worden bewogen. [8b]

- **Grondige reiniging van tapijt:** Druk de knop op het mondstuk naar de tapijtstand en zet de schuifknop op het mondstuk op GRONDIGE REINIGING TAPIJT. In deze stand zijn de borstels, wielen en wisser omhoog gehaald voor een grondigere reiniging van het tapijt. [8c]

**WAARSCHUWING: Om eventuele krassen op houten vloeren te vermijden, wordt geadviseerd om de knop niet op de harde-vloer-stand te plaatsen en de schuifknop niet op de grondige reiniging tapijt te zetten.**

- Schakel het toestel aan door op de aan/uit pedaal te drukken op het hoofdlichaam van de reiniger.
- Verschuif de Variabele stroomcontrole om de kracht te verlagen of te verhogen. [9]
- Zet de zuigkrachtregelaar op het gewenste niveau.
- Schakel aan het einde van gebruik uit door te drukken op de aan/uit pedaal.

**PARKEER- en OPBERGSECTIE**

- De buis kan geparkeerd worden op de achterkant of de bodem van de reiniger voor opslag of tijdelijk opbergen tijdens gebruik. [10]
- De slang, buis en het mondstuk kunnen in de "Nano Pak™" opslagpositie zitten wanneer niet in gebruik\*: [11]
  - Schuif de telescopische buis terug naar zijn opbergengte.
  - Verwijder de zuigmond aan het eind van de telescopische buis.
  - Verwijder de slanghandgreep van de telescopische buis.
  - Hef de slanghouder op aan de achterzijde van de reiniger en wind de flexibele slang rond het product.
  - Parkeer het handvat van de slang op het product door de houder van het handvat.
  - Monteer de zuigmond in de parkeeruitsparing aan de onderzijde van het product.
  - Monteer de telescopische buis in de andere parkeeruitsparing aan de onderzijde van het product.

**ONDERHOUD STOFZUIGER****De stofzuigerzak vervangen**

Als de zakcontrole-indicator rood is, controleer dan of de zak vol is en vervang deze indien nodig.

- Hef de deurklink van de zak op om de deur van de zak te openen, sluit de zak om te vermijden dat stof ontsnapt door aan de tong te trekken en de zak te verwijderen [12].

- De volle stofzuigerzak moet op de juiste manier en met zorg worden weggegooid.
- Vouw een nieuwe zak volgens de aanwijzingen die op de zak zelf staan en breng de hals van de zak aan in de zakhouder. [13]
- Sluit de Deur van de Zak.

**ONTHOUD:** De stofzakindicator kan ook rood zijn bij een verstopping. In dit geval, zie 'een blokkage uit het systeem verwijderen'.

**De filter reinigen:**

Voor optimale prestaties van uw stofzuiger wast u de pre-motorfilter na 5 maal de zak te hebben vervangen.

**De pre-motorfilter reinigen:**

- Hef de deurklink van de zak op om de deur van de zak te openen.
- Om de pre-motorfilter te verwijderen, schuift u het frame van de pre-motorfilter uit de stofzuiger. [14]
- Verwijder de filter uit de houder. [14]
- Was het in lauw water en laat het volledig drogen voordat u het weer in de stofzuiger plaatst. [16,17,18]

**De uitlaatfilter reinigen:**

- Om de uitblaasfilter te verwijderen, open dan de deur van de zak en verwijder het filterpak. [15]
- Was het in lauw water en laat het volledig drogen voordat u het weer in de stofzuiger plaatst. [16,17,19]

**ONTHOUD:** Gebruik geen heet water of schoonmaakmiddelen. In het onwaarschijnlijke geval dat de filters beschadigd raken, vervangt u ze door originele onderdelen van Hoover. Gebruik het product niet zonder stofzuigerzak of filter.

**De permanente stofzak van textiel reinigen\* (alleen bepaalde modellen)**

Om optimale prestaties te garanderen raden wij aan om de permanente stofzak te reinigen met warm water na elke 5 volle zakken. Verwijder overtollig water van de filter en laat het drogen alvorens het weer in de stofzuiger te plaatsen.

**Een blokkage verwijderen uit het systeem**

Indien de stofzakindicator rood is:

- Controleer of de zak vol is. Zo ja, zie 'De stofzuigerzak vervangen'.
- Als de zak niet vol is:
  - Moeten de filters worden gereinigd? Zo ja, zie 'Het filter reinigen'.
  - Controleer of niets het systeem blokkeert. - Gebruik een staaf of paal om enige blokkage te verwijderen uit de telescopische buis of flexibele slang.

**WAARSCHUWING\*:** - De controleindicator van de zak zal rood blijven indien de reiniger gebruikt wordt met volle zak, als er een blokkage is of als de filters vuil zijn. Indien gebruikt gedurende meer dan tien minuten met de controleindicator van de zak op rood, zal een elektronische omweg de reiniger uitschakelen om het risico op oververhitting te vermijden. Als dit gebeurt, schakelt u de stofzuiger uit, haalt u de stekker uit het stopcontact en herstelt u de fout (zie 'Verstopping wegnemen'). De stofzuiger zal automatisch weer gereed zijn voor gebruik, als deze weer wordt aangezet.

## Vervangen van batterijen

Het toestel is voorzien van een oplaadbare lithium ion batterijpak die vervangbaar is.

**WAARSCHUWING:** Gebruik alleen erkende vervangingsonderdelen voor uw toestel. Het gebruik van niet door Hoover gevalideerde onderdelen maakt uw garantie ongeldig.

**WAARSCHUWING:** Het batterijpak niet openen om het zelf proberen te repareren.

1. Druk op de ontgrendelingsknop om de batterij automatisch uit te werpen.
2. Verwijder de batterij langzaam van de stofzuiger.
3. Verwijder het oude batterijpak en vervang deze met het nieuwe batterijpak.
4. Gooi de batterijen veilig weg. Gebruikte batterijen moeten naar een recyclagecentrum gebracht worden en niet bij het huishoudafval geworpen worden.

## Verwerking van batterijen na beëindiging van de levensduur.

Verwijder de batterijen als u de stofzuiger wegdoet. Gebruikte batterijen moeten naar een recyclagecentrum gebracht worden en niet bij het huishoudafval geworpen worden.

**BELANGRIJK:** Ontlaad de batterijen volledig alvorens deze te verwijderen en ontkoppel de lader.

1. Laat de reiniger draaien totdat de batterijen helemaal leeg zijn.
2. Druk op de ontgrendelingsknop om de batterij automatisch uit te werpen.
3. Verwijder de batterij langzaam van de stofzuiger.
4. Verwijder de losse batterijen uit de stofzuiger.

**Opmerking:** Mocht u problemen ondervinden bij het demonteren van het apparaat, of voor nadere informatie omtrent verwerken, terugwinnen en recyclen van dit product, neem a.u.b. contact op met uw plaatselijk gemeentehuis of afvalverwerkingsbedrijf.

## ACCESSOIRES EN ZUIGMONDEN

Het kierenmondstuk\*, het mondstuk voor meubels\* en de stofborstel\* zijn aan boord opgeborgen onder het accessoiredeksel. En ze kunnen vastgemaakt worden op het handvat of het einde van de telescopische buis. [20]

- **Kierenmondstuk\*** – Voor hoeken en moeilijk bereikbare plaatsen. [V1]
- **Stofborstel\*** – Voor boekenrekken, kozijnen, toetsenborden en andere delicate plaatsen. [V2]
- **Meubelmondstuk\*** – Voor stoffering en textiel. [V3]
- **Parketzuijgmond\*** – Voor parketvloeren en andere kwetsbare vloeren. [W]

## CHECKLIST GEBRUIKER

Bij een probleem met het product, vervulledig deze eenvoudige controlelijst voor de gebruiker vooraleer je lokale HOOVERdienst te bellen.

- Krijgt de stofzuiger wel stroom? Controleer of de reiniger is opgeladen.
- Is de stofzak vol? Zie 'Onderhoud stofzuiger'.
- Is de filter verstopt? Zie 'Onderhoud stofzuiger'.

- Is de slang of de zuigmond geblokkeerd? Zie 'Verstoppingen uit het systeem verwijderen'.
- Schakelt de stofzuiger niet aan? Controleer of de batterij geladen is.
- Laadt de batterij niet op?
- Dit kan gebeuren als het apparaat meer dan een jaar niet is gebruikt. Neem contact op met de Hoover-klantenservice om vervanging van de accu te regelen. Zie "De batterij vervangen".

**OPMERKING:** De juiste spanning van de oplader is 19V tot 22V, met een laadstroom van 1A tot 2A.

## BELANGRIJKE INFORMATIE

### HOOVER reserveonderdelen en verbruiksartikelen

Vervang onderdelen altijd met originele HOOVER reserveonderdelen. Deze zijn beschikbaar bij je lokale HOOVER dealer of direct bij Hoover. Als u onderdelen bestelt, vermeld dan altijd het modelnummer.

- Batterij: BAT18VLI 39800040

### Kwaliteit

DE FABRIEKEN van Hoover zijn op onafhankelijke wijze getest op kwaliteit. Onze producten worden vervaardigd met een kwaliteitssysteem dat voldoet aan de vereisten van ISO 9001.

### Uw garantie

De garantievoorwaarden voor dit toestel worden bepaald door onze vertegenwoordiger in het land waar het toestel wordt verkocht. Details omtrent deze voorwaarden zijn verkrijgbaar bij de dealer waar u het toestel hebt gekocht. Wanneer u aanspraak wilt maken op deze garantie, dan moet u het verkoop- of ontvangstbewijs voorleggen.

**BELANGRIJK:** De batterij van de stofzuiger valt gedurende 2 jaar na aankoop onder garantie. Na twee jaar moet de klant zelf de kosten van een nieuwe accu betalen.

Wijzigingen zijn zonder voorafgaande kennisgeving mogelijk.

## INSTRUÇÕES PARA UMA UTILIZAÇÃO SEGURA

Este aparelho só deve ser utilizado para limpeza doméstica, conforme descrito neste guia do utilizador. Certifique-se de que este manual é totalmente compreendido antes de utilizar o aparelho.

Não deixe o aparelho ligado. Desligue sempre o aparelho e retire a ficha da tomada após a utilização ou antes de o limpar ou executar qualquer tarefa de manutenção.

Este aparelho pode ser utilizado por crianças com idade igual ou superior a 8 anos e por pessoas com capacidades mentais, sensoriais e físicas reduzidas ou sem experiência e conhecimento caso lhes sejam fornecidas instruções e supervisão relativas à utilização do aparelho de modo seguro e caso compreendam os perigos envolvidos. As crianças não devem brincar com o aparelho. A limpeza e a manutenção não devem ser efectuada por crianças sem supervisão.

Se o cabo de alimentação estiver danificado deixe de utilizar o aparelho imediatamente. Para evitar um perigo para a segurança, deve ser um técnico de assistência Hoover a substituir o cabo de alimentação.

Mantenha as mãos, os pés, as roupas largas e o cabelo longe das escovas rotativas.

Utilize apenas o carregador original fornecido com o aparelho.

Verifique que a tensão de alimentação corresponde à indicada no carregador.

Este electrodoméstico da Hoover vem com um carregador de baterias duplamente isolado que é apenas adequado para alimentação eléctrica de 230 V (240 V no Reino Unido).

Ligue o carregador a uma tomada eléctrica adequada e ligue

a ficha do carregador ao eletrodoméstico.

Na primeira utilização, carregue o conjunto de baterias durante 5,5 horas.

Para carregar o conjunto de baterias, remova-o do aspirador ao pressionar o pedal de libertação e ligue o carregador à entrada de carregamento localizado no conjunto de baterias.

O conjunto de baterias também pode ser carregado quando inserido no aspirador. **[5]**

Certifique-se de que os aspirador está desligado durante o carregamento.

Quando aspirador está ligado, o indicador da bateria das luzes LED no conjunto de baterias vai acender alternadamente à medida que a bateria é carregada, até todas as luzes ficarem acesas.

Quando totalmente carregado, as quatro luzes LED vão permanecer acesas e desligam-se após 5 minutos.

Volte a ligar o aparelho ao carregador depois da utilização para recarregar a bateria.

Nunca troque as baterias em temperaturas acima de 45°C ou abaixo de 0°C.

É normal que o carregador aqueça enquanto estiver a carregar. Ao carregar o aspirador, este irá desligar-se automaticamente.

Não desligue o carregador puxando o cabo.

Desligue o carregador em caso de ausência prolongada (férias, etc.). Recarregue novamente o produto antes de utilizar, pois a bateria pode descarregar durante longos períodos de armazenamento.

Se for necessário eliminar o aparelho, primeiro retire as

baterias. O aparelho deve ser desligado da fonte de alimentação ao remover a bateria. Elimine as baterias em segurança. Deixe o aparelho em funcionamento até parar devido ao facto de as baterias estarem completamente descarregadas. As pilhas usadas devem ser levadas para uma estação de reciclagem e não devem ser colocadas no lixo doméstico. Para remover as baterias, contacte o centro de apoio ao cliente da Hoover ou prossiga de acordo com as instruções seguintes.

**IMPORTANTE:** Descarregue, sempre, na totalidade as baterias antes de as remover.

Coloque o aspirador em funcionamento até a bateria estar totalmente descarregada.

Remova a ficha de tomada do carregador do aparelho.

Pressione o botão de libertação da bateria para ejetar o conjunto de baterias. [5]

Afaste o conjunto de baterias lentamente da ranhura. [5]

**NOTA:** Caso experiencie qualquer dificuldade na desmontagem da unidade ou necessite de informações mais detalhadas sobre o trabalho, recuperação e reciclagem deste aparelho, contacte o departamento da sua cidade ou o serviço de eliminação de lixo doméstico.

Não substitua as baterias por baterias não recarregáveis.

Utilize exclusivamente acessórios, peças sobressalentes ou consumíveis recomendados ou fornecidos pela HOOVER.

**Electricidade estática:** Algumas alcatifas podem provocar uma pequena acumulação de electricidade estática. A descarga de electricidade estática não constitui qualquer perigo para a saúde.

Não utilize o aparelho no exterior, em superfícies húmidas ou para aspirar líquidos.

Não aspire objectos duros ou afiados, fósforos, cinzas quentes, pontas de cigarro ou outros itens semelhantes.

Não pulverize nem aspire líquidos inflamáveis, líquidos de limpeza, aerossóis ou respectivos vapores.

Não passe por cima do cabo de alimentação ao utilizar o aspirador nem retire a ficha puxando pelo cabo de alimentação.

Não continue a utilizar o aparelho se este parecer defeituoso.

**Assistência HOOVER:** Para assegurar o funcionamento seguro e eficiente deste aparelho, recomendamos que todas as intervenções de assistência ou reparação sejam efectuadas apenas por um técnico de assistência autorizado da Hoover.

Não permaneça em cima do cabo de alimentação nem o enrole à volta das pernas ou braços ao utilizar o aparelho.

Não utilize o aparelho para limpar pessoas ou animais.

Não posicione o aparelho num nível superior aquele em que se encontra ao limpar escadas.

#### Ambiente

O símbolo no aparelho indica que este não pode ser tratado como resíduo doméstico. Pelo contrário, deve ser encaminhado para o ponto de recolha aplicável para reciclagem de equipamento eléctrico e electrónico. A eliminação deve ser realizada em conformidade com as leis ambientais locais relativas à eliminação de resíduos. Para obter informações mais detalhadas sobre o tratamento, recuperação e reciclagem deste produto, contacte as autoridades locais, o serviço de eliminação de resíduos domésticos ou a loja onde adquiriu o produto.



**CE** Este aparelho está em conformidade com as Diretivas Europeias 2014/35/EU, 2014/30/EU e 2011/65/EU.

CANDY HOOVER GROUP S.r.l. Via Privata Eden Fumagalli, 20861 Brugherio (MB) Italy

## APRESENTAÇÃO DO ASPIRADOR

- |                                     |                                                |
|-------------------------------------|------------------------------------------------|
| A. Porta de acessórios              | N. Escova para pavimentos e alcatifas*         |
| B1. Suporte do tubo flexível*       | O. Pedal de libertação da bateria              |
| B2. Suporte do manípulo*            | P. Conjunto de baterias                        |
| B3. Suporte do tubo*                | P1. Indicador da baterias das luzes LED        |
| C. Controlo de potência variável*   | P2. Botão do estado de carregamento da bateria |
| D. Tampa do saco                    | P3. Entrada de carregamento                    |
| E. Trinco da porta do saco          | Q. Carregador                                  |
| F. Pedal Ligar/Desligar             | R. Saco                                        |
| G. Indicador do estado do saco      | S. Filtro do escape                            |
| H. Trinco da porta de acessórios    | T. Filtro do pré-motor                         |
| I. Regulador de Sucção              | U. Suporte do saco                             |
| J. Tubo flexível                    | V1. Acessório para fendas*                     |
| K. Tubo Telescópico**               | V2. Escova para pó*                            |
| Ka. Trinco do tubo telescópico*     | V3. Escova para móveis*                        |
| Kb. Adaptador do tubo telescópico** | W. Escova para parquet*                        |
| L. Trinco do bocal*                 |                                                |
| M. Escova principal**               |                                                |

## APRESENTAÇÃO DO ASPIRADOR

Retire todos os componentes da embalagem.

1. Fixe o tubo flexível ao corpo principal do aspirador. Para retirar a mangueira: basta premir as duas patilhas na extremidade do tubo flexível e puxar. [1]
2. Ligue o manípulo da mangueira à extremidade superior do tubo. [2]
3. Ligue a extremidade inferior do tubo à escova para pavimentos duros\*\* ou aos acessórios, conforme necessário. [3]
4. Introduza o conjunto de baterias pressionando-o na ranhura do aspirador e assegurando que está instalado na posição correta, até ouvir um clique quando está completamente ligado. [4] Para remover o pacote de baterias, pressione o pedal de libertação da bateria no aspirador e retire-o.

## SUBSTITUIÇÃO E UTILIZAÇÃO DO CONJUNTO DE BATERIAS

Na primeira utilização, carregue o conjunto de baterias durante 5,5 horas.

Para carregar o conjunto de baterias, retire-o do aspirador ao pressionar o pedal de libertação do conjunto de baterias [5a] e ligue o carregador na entrada de carregamento localizada no conjunto de baterias. O conjunto de baterias também pode ser carregado quando introduzido no aspirador. [5b]

Quando aspirador está ligado, o indicador da bateria das luzes LED no conjunto de baterias vai acender alternadamente à medida que a bateria é carregada, até todas as luzes ficarem acesas.

Quando totalmente carregado, as quatro luzes LED vão permanecer acesas e desligam-se após 5 minutos.

**IMPORTANTE:** O pedal de ativação/desativação do aspirador deve estar sempre na posição OFF (Desligado) durante o carregamento.

### INDICADOR DA BATERIA DAS LUZES LED:

- <15%, intermitente
- 15%~25%
- 26%~50%
- 51%~75%
- 76%~100%

**IMPORTANTE:** Certifique-se sempre de que a bateria tem capacidade suficiente antes de utilizar.

Carregue o aspirador de uma luz LED estiver intermitente (capacidade restante  $\leq 15\%$ ).

Quando o aspirador está a ser utilizado, o indicador da baterias das luzes LED vai acender indicando a quantidade de carga restante.

Quando o nível de carga da bateria for de aproximadamente 20%, será emitido um aviso sonoro composto por 3 sinais sonoros, indicando que a bateria está prestes a ficar sem carga. Se não for carregado, após alguns minutos o aspirador desliga-se automaticamente.

Quando o nível de carga da bateria é  $\leq 15\%$ , a primeira luz LED vai piscar durante 5 segundos antes do aspirador se desligar automaticamente.

Quando o aspirador não está a ser utilizado, o nível da bateria pode ser verificado ao pressionar o Botão de estado do carregamento da bateria (P2). O indicador da bateria das luzes LED vai permanecer aceso durante 5 segundos.

### IMPORTANTE:

1. Utilize apenas o carregador fornecido com o seu aspirador.
2. Temperatura de carregamento: 0~45°C.
3. Ao carregar o aspirador, este irá desligar-se automaticamente.
4. É normal que o carregador aqueça enquanto estiver a carregar.
5. Desligue o carregador em caso de ausência prolongada (férias, etc.).

**NOTA:** Para otimizar o desempenho da bateria, deve carregar completamente o conjunto de baterias regularmente ou, pelo menos, uma vez por ano.

## UTILIZAR O SEU ASPIRADOR

1. Regule o tubo telescópico para o comprimento pretendido movendo o ajustador do tubo telescópico\*\* e suba ou desça o tubo para a posição de limpeza mais confortável. [6]

2. Ligue a extremidade inferior do tubo telescópico à escova principal\*\* ou acessórios, se necessário. No caso do modelo equipado com uma escova para pavimentos e alcatifas\*\*, prima o pedal do selector do tipo de piso\* na escova para seleccionar o modo de limpeza ideal: [7]

**Pavimentos duros** – Baixar as escovas para proteger o soalho.

**Alcatifas** – Levantar as escovas para uma limpeza em profundidade.

#### Escova para pisos e alcatifas\*:

- **Limpeza de pisos duros:** Pressione o pedal no bocal no modo de Piso duro e ajuste o controlo deslizante no bocal em TODOS OS PISOS. Nesta posição, as escovas, rodas e a lâmina de limpeza são rebaixadas para proteger os pisos duros. [8a]

- **Limpeza padrão de tapetes e alcatifas:** Pressione o pedal no bocal no modo de Alcatifa e ajuste o controlo deslizante no bocal como TODOS OS PISOS. Nesta posição, as escovas e a lâmina de limpeza são levantadas enquanto as rodas são rebaixadas, de modo a permitir um movimento livre em tais superfícies. [8b]

- **Limpeza intensa de carpetes:** Pressione o pedal no bocal no modo de Alcatifa e ajuste o controlo deslizante no bocal como LIMPEZA INTENSA DE CARPETES. Nesta posição, as escovas, rodas e a lâmina de limpeza são levantadas para uma limpeza intensa da sua carpete. [8c]

**ATENÇÃO: É recomendado evitar possíveis riscos nos pisos de madeira, quando o pedal não está definido no modo de piso duro e o controlo deslizante na limpeza intensa de carpetes.**

3. Ligue o aspirador premindo o pedal ligar/desligar no corpo principal do aspirador.
4. Faça deslizar o controlo de energia variável para aumentar ou diminuir a potência. [9]
5. Ajuste o regulador de sucção para o nível pretendido.
6. Desligue no final da utilização pressionando o pedal ligar/desligar.

## SECÇÃO DE DESCANSO E ARRUMAÇÃO

1. O tubo pode colocado na parte posterior ou na parte inferior do aspirador para armazenamento ou arrumação temporária durante a utilização. [10]
2. O tubo flexível, o tubo e o bocal pode estar na posição de arrumação "Nano Pack™" quando não estiverem em utilização\*: [11]
  - A. Retraia o tubo telescópico para o seu comprimento de armazenagem.
  - B. Retire o bocal da extremidade do tubo telescópico.
  - C. Retire o manípulo da mangueira do tubo telescópico.
  - D. Levante suporte do tubo flexível na parte posterior do e enrole o tubo flexível em volta do produto.
  - E. Coloque o manípulo do tubo flexível em descanso no produto através do suporte do manípulo.
  - F. Monte a escova no encaixe de descanso na parte inferior do produto.
  - G. Monte o tubo telescópico no encaixe de descanso restante na parte inferior do produto.

## MANUTENÇÃO DO ASPIRADOR

### Substituição do saco

Se o indicador do estado do saco ficar vermelho deve verificar e, se necessário, substituir o saco.

1. Eleve o trinco da porta do saco para abrir a porta do saco, feche o saco para evitar que seja libertado pó puxando a lingueta e remova o saco [12]. Deve eliminar o saco cheio de forma consciente e com todo o cuidado.
2. Prepare o saco novo, conforme indicado nas instruções, e coloque-o no compartimento introduzindo o anel no respectivo suporte. [13]
3. Feche a porta do saco.

**LEMBRE-SE:** O indicador do estado do saco também pode ficar intermitente em caso de obstrução. Neste caso consulte "Remoção de uma obstrução do sistema".

### Limpeza do filtro:

Para manter um óptimo desempenho do seu aspirador, deve-se lavar o filtro do pré-motor Hepa e o filtro de exaustão depois de substituir o saco 5 vezes.

### Limpeza o filtro pré-motor:

1. Eleve o trinco da porta do saco para abrir a porta do saco.
2. Para remover o filtro do pré-motor, faça deslizar a estrutura do filtro do pré-motor do aspirador. [14]
3. Remova o filtro do suporte. [14]
4. Lave-o em água morna e permita que seque completamente antes de reintroduzi-lo no aspirador. [16,17,18]

### Limpeza o filtro de exaustão:

1. Para remover o filtro do exaustor, abra a porta do saco e retire o conjunto do filtro. [15]
2. Lave o filtro em água morna e deixe-o secar completamente antes de reintroduzi-lo no aspirador. [16,17,19]

**LEMBRE-SE:** Não utilize água quente nem detergentes. Na eventualidade de os filtros ficarem danificados, substitua-os apenas por peças originais Hoover. Não tente utilizar o aspirador sem o respectivo saco ou filtro montado.

### Limpeza do saco de pó permanente\* (apenas alguns modelos)

Para manter um óptimo desempenho, recomendamos que você lave o saco permanente depois de 5 enchimentos do saco. Remova a água em excesso e deixe-o secar completamente, reintroduzindo-o em seguida no aspirador.

### Remoção de uma obstrução do sistema

Se o indicador do estado do saco estiver vermelho:

1. Verifique se o saco está cheio. Em caso afirmativo, consulte "Substituição do saco".
2. Caso não esteja cheio, verifique:
  - A. Os filtros necessitam de limpeza? Em caso afirmativo, consulte "Limpeza do filtro".
  - B. Caso esteja, consulte a secção "Esvaziar o depósito de pó". - Utilize uma vareta ou cano para remover qualquer obstrução do tubo telescópico ou flexível.

**ATENÇÃO\*:** - O indicador do estado do saco fica vermelho se o aspirador for utilizado com o saco cheio, se existir um bloqueio ou se os filtros estiverem sujos. Se for utilizado durante um período superior a dez minutos com o indicador do estado do saco a vermelho, um corta-circuito electrónico irá desligar o aspirador de modo a evitar o risco de sobreaquecimento. Caso tal se verifique, desligue o aspirador, desligue o cabo da corrente e corrija o problema (consulte “Remover uma obstrução”). O corte será automaticamente repostado após voltar a ligar o aspirador.

### Substituição da bateria

Este aspirador está instalado com um conjunto de baterias de iões de lítio recarregáveis que são substituíveis.

**ATENÇÃO:** Utilize apenas peças de substituição aprovadas para o aspirador. A utilização de peças não aprovadas pela Hoover é perigosa e irá tornar a sua garantia inválida.

**ATENÇÃO:** Não tente abrir o conjunto de baterias e repará-lo.

1. Pressione o botão de libertação da bateria e o pacote de baterias será ejetado automaticamente.
2. Remova o pacote de baterias lentamente do aspirador.
3. Retire a bateria antiga e substitua-a por uma bateria nova.
4. Elimine as baterias em segurança. As pilhas usadas devem ser levadas para uma estação de reciclagem e não devem ser colocadas no lixo doméstico.

### Eliminação da bateria após o fim da sua vida útil

Se o aspirador for eliminado, a bateria deve ser retirada. As pilhas usadas devem ser levadas para uma estação de reciclagem e não devem ser colocadas no lixo doméstico.

**IMPORTANTE:** Descarregue, sempre, na totalidade as baterias antes de as remover.

1. Coloque o aspirador em funcionamento até a bateria estar totalmente descarregada.
2. Pressione o botão de libertação da bateria e o pacote de baterias será ejetado automaticamente.
3. Remova o pacote de baterias lentamente do aspirador.
4. Remova as baterias do aspirador.

**Nota:** Se tiver qualquer tipo de dificuldade em desmontar a unidade ou se quiser obter mais informações acerca do tratamento, recuperação e reciclagem deste produto, por favor, contacte a sua junta de freguesia ou o serviço de recolha de lixo doméstico.

## ACESSÓRIOS E ESCOVAS

A ferramenta fissurada\*, a escova para móveis\* e a escova do pó\* estão armazenadas na unidade sob a tampa dos acessórios. E podem ser instaladas no manípulo ou na extremidade do tubo telescópico. [20]

- **Acessório para fendas\*** – Para cantos e áreas difíceis de alcançar. [V1]
- **Escova para pó\*** – Para estantes de livros, molduras, teclados e outras áreas delicadas. [V2]
- **Escova para móveis\*** – Para sofás e tecidos. [V3]
- **Escova para parquet\*** – Para pavimentos de parquet e outros pavimentos delicados. [W]

## LISTA DE VERIFICAÇÃO DO UTILIZADOR

Se tiver algum problema com o aparelho, preencha esta simples lista de verificação do utilizador antes de chamar o serviço de assistência Hoover local.

- O aspirador tem alimentação de corrente? Verifique se o aspirador está carregado.
- O saco está cheio? Consulte “Manutenção do Aspirador”.
- O filtro está entupido? Consulte “Manutenção do Aspirador”.
- O tubo flexível ou o bocal estão entupidos? Consulte “Remover uma obstrução do sistema”.
- O aspirador não liga? Verifique se a bateria está carregada.
- Não é possível carregar a bateria?
- Pode ser resultado de períodos de armazenamento muito longos (superior a um ano). Contacte o serviço de apoio ao cliente da Hoover para que a bateria seja substituída. Consulte “Substituição da bateria”.

**NOTA:** A tensão correta do carregador varia entre 19 a 22 V e a corrente de carregamento entre 1 a 22 A.

## INFORMAÇÕES IMPORTANTES

### Peças sobressalentes e consumíveis HOOVER

Substitua sempre as peças por peças sobressalentes HOOVER genuínas. Pode obtê-las junto do seu representante local ou directamente da HOOVER. Quando encomendar peças, mencione sempre o número do seu modelo.

- Pacote de baterias: BAT18VLI 39800040

### Qualidade

A QUALIDADE das instalações industriais da Hoover foi avaliada de forma independente. Os nossos produtos são fabricados de acordo com um sistema de qualidade que satisfaz os requisitos da norma ISO 9001

### Garantia

As condições de garantia para este aparelho são as definidas pelo nosso representante no país onde foi vendido. Pode obter detalhes sobre estas condições junto do agente a quem adquiriu o aparelho. A factura de venda ou o recibo deverão ser entregues quando apresentar uma reclamação ao abrigo dos termos da garantia.

**IMPORTANTE:** A bateria neste aspirador tem garantia durante 2 anos após a compra. Após 2 anos, o comprador é responsável pelo custo da nova bateria.

Sujeito a alteração sem aviso prévio.



## INSTRUCCIONES PARA UN USO SEGURO

Este aparato solo debe utilizarse para la limpieza doméstica habitual, como se describe en este manual de usuario. Asegúrese de haber comprendido todo el contenido de este manual antes de poner en funcionamiento el aparato.

No deje enchufado el aparato. Apague y desenchufe siempre el aparato antes de limpiarlo o de realizar cualquier labor de mantenimiento.

Este aparato puede ser usado por niños de 8 años en adelante y personas con capacidades físicas, sensoriales o mentales reducidas o falta de experiencia y conocimiento bajo supervisión y con una explicación de las instrucciones con respecto al uso del aparato de manera segura y que comprendan los riesgos implicados. Los niños no deben jugar con el aparato. Los niños no deben limpiar ni dar mantenimiento sin supervisión.

Si el cable de alimentación está dañado, deje de utilizar el aparato inmediatamente. Para evitar peligros de seguridad, solo profesionales del Servicio Técnico de Hoover deben reemplazar el cable de alimentación.

Mantener lejos de los cepillos rotatorios pies, manos, ropa suelta y cabellos.

Utilice únicamente el cargador original suministrado con el aparato.

Controle que el voltaje de la corriente eléctrica sea el mismo que el indicado en el cargador.

Este aparato Hoover se proporciona con un cargador de baterías con doble aislamiento que sólo se puede conectar en una toma de corriente de 230V (240V en Reino Unido).

Enchufe el cargador en una toma de corriente adecuada y conecte la clavija del cargador al electrodoméstico.

Para el primer uso, cargue la batería durante 5,5 horas.

Para cargar la batería, desacóplelo del aspirador presionando el dispositivo de liberación de la batería y enchufe el cargador en el puerto de carga ubicado en la batería.

La batería también se puede cargar cuando está encajada en el aspirador. **[5]**

Asegúrese de que el aspirador esté apagado durante la carga.

Cuando el cargador está conectado, las luces LED del indicador de batería se iluminarán una por una durante la carga de la batería hasta que las cuatro luces estén iluminadas.

Cuando la carga se haya completado, las cuatro luces LED permanecerán encendidas y se apagarán después de 5 minutos.

Vuelva a conectar el cargador al electrodoméstico después del uso para recargar la batería.

Nunca cargue la batería a temperaturas superiores a los 45°C o inferiores a 0°C.

Es normal que el cargador esté caliente al tacto mientras se está cargando. Durante la carga, el aspirador se apagará automáticamente.

No tire del cable para desenchufar el cargador.

Desenchufe el cargador en caso de ausencias prolongadas (vacaciones, etc.). Vuelva a cargar el aparato nuevamente antes de usarlo, ya que la batería se podría descargar durante períodos de almacenamiento prolongados.

Si se debe desechar el aparato, primero es necesario extraer la batería. Cuando extraiga la batería, el

electrodoméstico debe estar desconectado de la red eléctrica. Elimine la batería de manera segura. Haga funcionar el electrodoméstico hasta que se detenga debido a que la batería está totalmente descargada. Las baterías usadas deben llevarse a un punto de reciclaje y no deben desecharse con los residuos domésticos. Para quitar la batería, contacte con el Servicio Técnico de Hoover o siga las presentes instrucciones.

**IMPORTANTE:** Descargue siempre las baterías completamente antes de desecharlas y asegúrese de que el cargador está desenchufado.

Haga funcionar el aspirador hasta que las baterías estén completamente descargadas.

Quite el conector jack del cargador del electrodoméstico.

Pulse el botón de liberación de la batería para expulsar la batería. [5]

Saque lentamente la batería de la ranura. [5]

**NOTA:** Si llega a experimentar problemas al desmontar el aspirador o para obtener información más detallada sobre el tratamiento, la recuperación y el reciclaje de este electrodoméstico, contacte con su Ayuntamiento o con el servicio de recogida de residuos domésticos de su zona.

No sustituya las baterías por baterías no recargables.

Utilizar únicamente accesorios, consumibles o recambios recomendados o suministrados por HOOVER.

**Electricidad estática:** Algunas alfombras pueden provocar una pequeña acumulación de electricidad estática. Las descargas estáticas no son peligrosas para la salud.

No utilice el aparato al aire libre, en superficies húmedas o para recoger líquidos.

No aspire objetos duros o afilados, cerillas, cenizas calientes, colillas de cigarrillo u objetos similares.

No rocíe, ni aspire líquidos inflamables, aerosoles para limpiar o sus vapores.

No pase por encima del cable de alimentación cuando utilice el aparato ni lo desenchufe tirando del cable.

No siga utilizando el aparato si parece tener algún defecto.

**Servicio Técnico HOOVER:** Para garantizar el funcionamiento seguro y eficaz del aparato, recomendamos que las tareas de mantenimiento y reparación sean realizadas exclusivamente por profesionales autorizados del Servicio Técnico de Hoover.

No pise el cable, ni lo enrolle en los brazos ni piernas al utilizar el aparato.

No utilice el aparato en personas ni animales.

No sitúe el aparato por encima de usted cuando esté limpiando las escaleras.

#### El Medio Ambiente:

El símbolo que puede verse en el producto indica que este no puede tratarse como residuo doméstico. En su lugar, se debe entregar en un punto de recogida de electrodomésticos para el reciclaje de equipos eléctricos y electrónicos. La eliminación debe llevarse a cabo según los reglamentos medioambientales locales sobre eliminación de residuos. Para información más detallada sobre el tratamiento, la recuperación y el reciclaje de este aparato, ponte en contacto con tu Ayuntamiento, el servicio de recogida de residuos domésticos o con el establecimiento donde hayas comprado el producto.



**CE** Este electrodoméstico cumple con las Directivas Europeas 2014/35/UE, 2014/30/UE y 2011/65/UE.

CANDY HOOVER GROUP S.r.l. Via Privata Eden Fumagalli, 20861 Brugherio (MB) Italy

## INFORMACIÓN SOBRE EL ASPIRADOR

- |                                          |                                            |
|------------------------------------------|--------------------------------------------|
| A. Puerta de accesorios                  | M. Tobera principal**                      |
| B1. Seguro de la manguera*               | N. Tobera para alfombras y suelos*         |
| B2. Seguro del mango*                    | O. Pedal de liberación de la batería       |
| B3. Seguro del tubo*                     | P. Batería                                 |
| C. Control potencia variable*            | P1. Indicador de batería con luces LED     |
| D. Portezuela de la bolsa                | P2. Botón de estado de carga de la batería |
| E. Pestillo de la portezuela de la bolsa | P3. Puerto de carga                        |
| F. Pedal de encendido/apagado            | Q. Cargador                                |
| G. Indicador de control de la bolsa      | R. Bolsa                                   |
| H. Pestillo de la puerta de accesorios   | S. Filtro de Descarga                      |
| I. Regulador de succión                  | T. Filtro pre-motor                        |
| J. Manguera                              | U. Soporte para la bolsa                   |
| K. Tubo telescópico**                    | V1. Accesorio rincones*                    |
| Ka. Pasador del tubo telescópico*        | V2. Cepillo para polvo*                    |
| Kb. Regulador del tubo telescópico**     | V3. Cepillo para limpieza de muebles*      |
| L. Pestillo de la tobera*                | W. Tobera Parquet*                         |

## INFORMACIÓN SOBRE EL ASPIRADOR

Saque todas las piezas del embalaje.

- Unir el tubo de conexiónal cuerpo principal del aparato. Para liberar la manguera: presione las dos pestañas en el extremo de la manguera y tire. **[1]**
- Conecte la empuñadura al extremo superior del tubo. **[2]**
- Conecte el extremo inferior de tubo con la tobera para suelos duros\*\* o, si es necesario, con los accesorios. **[3]**
- Introduzca la batería empujándola en el interior de la ranura del aspirador asegurándose de que se encuentre fija en su posición, cuando esté totalmente conectada oír un clic. **[4]** Para quitar el paquete de baterías, presione el pedal de liberación de la batería, ubicado en el aspirador y sáquelo.

## CARGA DE LA BATERÍA Y UTILIZACIÓN

Para el primer uso, cargue la batería durante 5,5 horas.

To charge the battery pack, detach it from the cleaner by pressing the battery pack release pedal [5a] and plug the charger into the charging port located on the battery pack. La batería también se puede cargar cuando está encajada en el aspirador. **[5b]**

Cuando el cargador está conectado, las luces LED del indicador de batería se iluminarán una por una durante la carga de la batería hasta que las cuatro luces estén iluminadas. Cuando la carga se haya completado, las cuatro luces LED permanecerán encendidas y se apagarán después de 5 minutos.

**IMPORTANTE:** El pedal de encendido/apagado del aspirador debe estar siempre en posición de APAGADO durante la carga.

### INDICADOR DE BATERÍA CON LUCES LED:

- <15%, Intermitente
- 15%~25%
- 26%~50%
- 51%~75%
- 76%~100%

**IMPORTANTE:** Antes del uso, asegúrese siempre de que la batería tenga capacidad suficiente.

Cargue el aspirador si una luz LED parpadea (capacidad residual  $\leq 15\%$ ).

Cuando el aspirador está en uso, el indicador de batería con luces LED se iluminará indicando la cantidad de carga residual.

Cuando el nivel de carga de la batería sea aproximadamente un 20% se oír una alarma con 3 "beeps" que indica que la batería está por agotarse. Si no se carga, después de pocos minutos el aspirador se apagará automáticamente.

Cuando el nivel de carga de la batería es  $\leq 15\%$ , la primera luz LED parpadeará por 5 segundos antes de que el aspirador se apague automáticamente.

Cuando el aspirador no está en uso, el nivel de la batería se puede controlar presionando el botón de estado de carga de la batería (P2). El indicador de batería con luces LED permanecerá encendido durante 5 segundos.

### IMPORTANTE:

- Utilice únicamente el cargador suministrado con el aspirador.
- Temperatura de carga: 0~45°C.
- Durante la carga, el aspirador se apagará automáticamente.
- Es normal que el cargador esté caliente al tacto mientras se está cargando.
- Desenchufe el cargador en caso de ausencias prolongadas (vacaciones, etc.).

**NOTA:** Para optimizar el funcionamiento de la batería debe cargar por completo la batería con regularidad o por lo menos una vez **al año**.

## USO DEL ASPIRADOR

- Ajuste el tubo telescópico a la altura deseada desplazando el regulador del tubo telescópico\*\* y levantando o bajando el tubo hasta encontrar la posición de limpieza más cómoda. **[6]**
- Conecte el extremo inferior del tubo telescópico con la tobera principal\*\* o de ser necesario con los accesorios. En caso de que el modelo esté dotado de una tobera

para alfombras y suelos\*\*, presione el pedal selector del tipo de suelo\* que se encuentra en la tobera para seleccionar el modo de limpieza ideal: [7]

**Suelos duros** – Los cepillos bajan para proteger el suelo.

**Alfombra** – Los cepillos se elevan para una limpieza a fondo.

#### Tobera de alfombra y suelo\*:

- **Limpieza de suelos duros:** Presione el pedal de la tobera, póngalo en modo Suelos Duros y ajuste el control deslizante de la tobera colocándolo en TODOS LOS SUELOS. En esta posición los cepillos, las ruedas y la rasqueta se bajan para proteger los suelos duros. [8a]

- **Limpieza de alfombras y tapetes estándar:** Presione el pedal de la tobera, póngalo en modo Alfombra y regule el control deslizante de la tobera colocándolo en TODOS LOS SUELOS. En esta posición, los cepillos y la rasqueta se levantan, mientras que las ruedas se bajan para permitir una perfecta facilidad de movimiento en dichas superficies. [8b]

- **Limpieza profunda de las alfombras:** Presione el pedal de la tobera, colóquelo en modo Alfombra y regule colocando el control deslizante de la tobera en LIMPIEZA PROFUNDA DE LAS ALFOMBRAS. En esta posición los cepillos, las ruedas y la rasqueta se levantan para una limpieza profunda de la alfombra. [8c]

**ADVERTENCIA:** Para evitar que se puedan rayar los suelos de madera se recomienda que el pedal no se encuentre en modo suelos duros y el control deslizante en limpieza profunda de las alfombras.

3. Encienda el aspirador pulsando el pedal de encendido/apagado que se encuentra en la estructura central del aspirador.
4. Deslice el control de potencia variable para incrementar o disminuir la succión. [9]
5. Regular el regulador de aspiración al nivel deseado.
6. Apague el aparato tras su uso pulsando el pedal de encendido/apagado.

## SECCIÓN DE ESTACIONAMIENTO Y ALMACENAMIENTO

1. El tubo puede ser estacionado en la parte posterior o la parte inferior del aspirador, ya sea para el almacenamiento a largo plazo o el almacenamiento transitorio durante el uso. [10]
2. La manguera, el tubo y la tobera pueden estar en la posición de almacenamiento "Nano Pack™" cuando no están en uso\*: [11]
  - A. Retaiga el tubo telescópico hasta su longitud de almacenamiento.
  - B. Retire la boquilla del extremo del tubo telescópico.
  - C. Retire la empuñadura de la manguera del tubo telescópico.
  - D. Suba el seguro de la manguera ubicado en la parte trasera del aspirador y enrolle la manguera flexible alrededor del aparato.
  - E. Estacione el mango de la manguera en el aparato a través del seguro del mango.
  - F. Monte la tobera en la sede de estacionamiento ubicada debajo del aparato.
  - G. Monte el tubo telescópico en la sede de estacionamiento remanente ubicada debajo del aparato.

## MANTENIMIENTO DEL ASPIRADOR

### Sustitución de la Bolsa de Polvo

Si el indicador de control de la bolsa es de color rojo, verificar y, de ser necesario, sustituir la bolsa.

1. Levante el pestillo de desbloqueo de la portezuela de la bolsa, cierre la bolsa para evitar que escape el polvo tirando de la lengüeta y retirando la bolsa [12]. La bolsa del polvo llena tiene que ser eliminada de forma correcta y con cuidado.
2. Pliegue la nueva bolsa tal como se indica en ésta y asegúrela introduciendo el sujetador del collar. [13]
3. Cierre la puerta de la bolsa.

**RECUERDE:** En caso de atascarse, puede que el indicador de control de la bolsa sea de color rojo. En ese caso, remitirse al capítulo "Eliminación de obstrucciones en el sistema".

### Limpieza del filtro:

Para mantener óptimas prestaciones de su aspirador, lave el filtro Hepa Pre-Motor y el de descarga al cambiar 5 veces la bolsa.

### Limpieza del filtro pre-motor:

1. Levante el pestillo de la portezuela de la bolsa para abrirla.
2. Para extraer el filtro premotor deslice su soporte por el aspirador hacia fuera. [14]
3. Quite el filtro del sujetador. [14]
4. Lávelo con agua tibia y déjelo secar completamente antes de sustituirlo en el aspirador. [16,17,18]

### Limpieza del filtro de salida:

1. Para sacar el filtro de salida, abra la portezuela de la bolsa y retire el filtro. [15]
2. Lave el filtro con agua tibia y deje secar por completo antes de introducirlo de nuevo en el aspirador. [16,17,19]

**RECUERDE:** No usar agua hirviendo o detergentes. En caso improbable de dañarse los filtros, coloque un repuesto Hoover original. No trate de utilizar el aparato sin montar la bolsa del polvo o el filtro.

### Limpieza de la bolsa de tela fija\* (Sólo para algunos modelos)

Para mantener óptimas prestaciones, se aconseja lavar la bolsa de tela fija con agua tibia tras cada 5 bolsas llenas. Elimine el exceso de agua y deje secar por completo antes de introducirla de nuevo en el aspirador.

### Para eliminar obstrucciones en el sistema

Si el indicador de control de la bolsa es de color rojo:

1. Compruebe si la bolsa está llena. De ser así, remitirse al capítulo "Sustitución de la bolsa del polvo".
2. Si no está llena, entonces;
  - A. ¿Cabe la posibilidad de que sea preciso limpiar los filtros? Si es así, remitirse al capítulo "Limpieza del Filtro".
  - B. Compruebe si existe alguna otra obstrucción en el sistema - Utilice una vara o pértiga para eliminar cualquier bloqueo en el tubo telescópico o en la manguera flexible.

**ADVERTENCIA\*:** - El indicador de la bolsa permanecerá rojo si el aspirador se utiliza cuando la bolsa está llena, si existe algún bloqueo o si los filtros están sucios. Si se utiliza durante un período superior a diez minutos con el indicador de bolsa llena iluminado en rojo, el aspirador se apagará electrónicamente para evitar cualquier riesgo de sobrecalentamiento. Si esto ocurriese, apague el aspirador, desenchufe y corrija el fallo ver “Eliminando un bloqueo”). El dispositivo de corte se desactivará automáticamente al conectar el aspirador de nuevo.

### Reemplazo de las baterías

Este aspirador está dotado de un paquete de baterías recargables de ion-litio, el cual es reemplazable.

**ADVERTENCIA:** Utilice únicamente piezas de repuesto aprobadas para su aspirador. El uso de piezas no homologadas por Hoover es peligroso e invalidará su garantía.

**ADVERTENCIA:** No trates de abrir la batería ni de repararla por sí mismo.

1. Pulse el botón de liberación de la batería y será expulsada automáticamente.
2. Extraiga lentamente la batería del aspirador.
3. Extraiga el viejo paquete de baterías y sustitúyalo con el nuevo.
4. Elimine la batería de manera segura. Las baterías usadas deben llevarse a un punto de reciclaje y no deben desecharse con los residuos domésticos.

### Desecho de las baterías por finalización de la vida útil del producto

Si se desecha el aspirador, se deben retirar las baterías. Las baterías usadas deben llevarse a un punto de reciclaje y no deben desecharse con los residuos domésticos.

**IMPORTANTE:** Descargue siempre las baterías completamente antes de desecharlas y asegúrese de que el cargador está desenchufado.

1. Haga funcionar el aspirador hasta que las baterías estén completamente descargadas.
2. Pulse el botón de liberación de la batería y será expulsada automáticamente.
3. Extraiga lentamente la batería del aspirador.
4. Extraiga la batería del aspirador.

**Nota:** Si tiene problemas para desmontar la unidad o si necesita más información detallada sobre tratamiento, recuperación y reciclado de este producto, contacte con la oficina de su ciudad o con su servicio de eliminación de desechos domésticos.

## ACCESORIOS Y CEPILLOS

El accesorio para rincones, la tobera para muebles y el cepillo eliminador de polvo se guardan en el interior del aspirador, debajo de la puerta de accesorios. Todos los accesorios pueden instalarse en la empuñadura de la manguera o en el extremo del tubo telescópico. [20]

- **Accesorio rincones\*** – Para rincones y zonas de difícil acceso. [V1]
- **Cepillo para polvo\*** – Para estanterías, marcos, teclados y demás áreas delicadas. [V2]
- **Cepillo para limpieza de muebles\*** – Para cortinas y muebles con tejidos blandos. [V3]
- **Tobera Parquet\*** – Para suelos de parquet y demás suelos delicados. [W]

## LISTA DE COMPROBACIÓN PARA EL USUARIO

Si surgiera algún problema con el producto, lleve a cabo las sencillas comprobaciones que se enumeran a continuación antes de llamar al Servicio Técnico de Hoover.

- ¿Hay suministro de corriente para el aspirador? Verifique si el aspirador está cargado.
- ¿La bolsa de polvo está llena? Remítase al capítulo “Mantenimiento del Aspirador”.
- ¿Está obstruido el filtro? Remítase al capítulo “Mantenimiento del Aspirador”.
- ¿Está obstruida la manguera o la tobera? Consulte “Eliminación de una obstrucción en el sistema”.
- ¿El aspirador no se enciende? Controle si la batería está cargada.
- ¿El aspirador no se enciende?
- Puede ser el resultado de periodos de almacenamiento muy prolongados (más de un año). Contacte con el servicio técnico de Hoover para acordar un reemplazo de baterías. Véase el apartado “Sustitución de la batería”.

**NOTA:** El voltaje del cargador correcto se encuentra entre 19V y 22V y la corriente de carga se encuentra entre 1A y 2A.

## INFORMACIÓN IMPORTANTE

### Piezas de recambio y consumibles HOOVER

Utilice siempre piezas de repuesto originales de Hoover. Puede adquirirlas a través de los distribuidores de HOOVER. Cuando realice pedidos de piezas, indique siempre el número de modelo que posee.

- Batería: BAT18VLI 39800040

### Calidad

LAS FÁBRICAS de Hoover han sido sometidas a inspecciones de calidad independientes. Nuestros productos se fabrican de conformidad con el sistema de calidad que cumple los requisitos de la norma ISO 9001.

### Su garantía

Las condiciones de garantía para este aparato vienen definidas por nuestro representante en el país de venta. Puede obtener los detalles acerca de estas condiciones en el establecimiento donde haya comprado este aparato. Debe mostrarse la factura de compra o el recibo al hacer alguna reclamación en virtud de las condiciones de garantía.

**IMPORTANTE:** La batería de este aspirador está garantizada por 2 años a partir de la fecha de compra. Después de 2 años el coste de una nueva batería está a cargo del cliente.

Sujeto a cambios sin previo aviso.

## INSTRUKTIONER FOR SIKKER ANVENDELSE

Denne støvsuger må kun anvendes til almindelig husholdningsrengøring, som beskrevet i brugsanvisningen. Du bør sikre dig, at du har forstået indholdet af denne brugervejledning fuldt ud, inden apparatet tages i brug.

Efterlad ikke støvsugeren tilsluttet. Inden du rengør eller foretager vedligeholdelse af støvsugeren, skal du altid slukke for den og tage stikket ud af stikkontakten.

Dette udstyr kan anvendes af børn, der er 8 år gamle og derover, og af personer med nedsatte fysiske, sensoriske eller mentale evner eller manglende erfaring og viden, hvis de er under opsyn eller vejledning i at bruge udstyret på en sikker måde og forstår de risici, der er involveret. Børn må ikke lege med udstyret. Rengøring og vedligeholdelse må ikke udføres af børn uden en voksen tilstede.

Hvis netledningen er ødelagt, skal du stoppe med at bruge støvsugeren øjeblikkeligt. For at undgå en sikkerhedsrisiko, skal en autoriseret HOOVER servicetekniker udskifte strømkablet.

Hold hænder, fødder, løstsiddende tøj og hår væk fra roterende børster.

Brug kun den originale oplader, der blev leveret sammen med apparatet.

Sørg for at stømmen i dit forsyningsnet er den samme som anført på opladeren.

Denne støvsuger er forsynet med en dobbelt isoleret batterioplader, der kun er beregnet til tilslutning til en 220 V stikdåse.

Sæt opladeren i en passende stikkontakt og tilslut opladeren til apparatet.

Før batteripakken tages i brug, skal den oplades i 5,5 timer.

For at oplade batteripakken skal du tage den ud af støvsugeren ved at trykke på batteripakkens udløsningspedal og sætte opladeren ind i opladningsporten på batteripakken.

Batteripakken kan også oplades, når den isættes støvsugeren. [5]

Husk at slukke for støvsugeren under opladning.

Når opladeren er tilsluttet, lyser LED-lamperne på batteriindikatoren, efterhånden som batteriet oplades, indtil alle fire lamper lyser.

Når batteripakken er fuldt opladet, forbliver de fire LED-lamper tændt, og de slukker efter 5 minutter.

Støvsugeren skal tilsluttes opladeren igen efter brug, så batterierne kan blive genopladet.

Oplad aldrig batterierne ved over 45°C eller under 0°C.

Det er normalt for opladeren at blive varm at røre ved under opladning. Ved opladning af støvsugeren slukkes den automatisk.

Opladeren må ikke trækkes ud af stikdåsen ved at trække i kablet.

Træk opladeren ud af stikket ved længere tids fravær (ferie o.lign.). Genoplad støvsugeren igen før brug, da batterierne kan selvaflade ved længere tids stilstand.

Hvis dit apparat skal kasseres, skal batterierne fjernes inden. Apparatet skal abrydes fra lysnettet når batteriet fjernes. Bortskaf batterierne på en sikker måde. Tænd apparatet, indtil det stopper, fordi batterierne er helt afladet. Brugte batterier skal afleveres på en genbrugsstation og ikke smides ud sammen med husholdningsaffald. Hvis batterierne skal fjernes, bedes du kontakte Hoover-kundeservice eller handle i henhold til følgende anvisninger.

**VIGTIGT:** Aflad altid batterierne helt, før de fjernes.

Kør med støvsugeren, indtil batterierne er helt tomme.

Fjern opladeren fra apparatet.

Tryk på udløsningsknappen til batteripakken og fjern batteripakken. [5]

Træk langsomt batteripakken ud fra åbningen. [5]

**BEMÆRK:** Hvis du får problemer med at afmontere enheden eller ønsker mere detaljerede oplysninger om behandling, genanvendelse og genbrug af dette produkt, bedes du kontakte kommunen eller skraldeselskabet.

Batterierne må ikke udskiftes med ikke-genopladelige batterier.

Brug kun tilbehør, forbrugsvarer eller reservedele, som anbefalet eller leveret af Hoover.

**Statisk elektricitet:** Visse tæpper kan forårsage en mindre akkumulering af statisk elektricitet. Udledning af statisk elektricitet er ikke sundhedsfarligt.

Brug ikke støvsugeren udendørs eller på våde overflader eller til opsugning af væsker.

Undlad at opsuge hårde eller skarpe genstande, tændstikker, varm aske, cigaretstumper eller andre lignende genstande.

Undlad at sprøjte med eller opsuge brændbare væsker, rensesvæsker, spraydåser eller spray fra disse.

Undlad at køre over strømkablet når du bruger din støvsuger og undlad at trække stikket ud ved at trække i strømkablet, men hold fast i stikket.

Lad være med at fortsætte at bruge støvsugeren, hvis den ser ud til at være defekt.


**HOOVER-SERVICE:** For at sikre løbende sikker og effektiv drift af dette apparat anbefaler vi, at eftersyn eller reparationer udelukkende udføres af en autoriseret Hoover-servicetekniker.


Snur hverken ledningen om arme eller ben eller stå på den, mens du bruger støvsugeren.

Undlad at bruge apparatet på at rengøre mennesker eller dyr.

Undlad at lade støvsugeren stå oven for dig, når du rengør trapper.

#### Miljøet

Symbolet på produktet angiver, at produktet ikke må behandles som husholdningsaffald. Det skal i stedet afleveres til en relevant affaldsstation for genbrug af elektrisk og elektronisk udstyr. Bortskaffelse skal ske i overensstemmelse med de lokale miljøregler vedrørende bortskaffelse af affald.  For mere detaljeret information om behandling, genvinding og genbrug af dette produkt, henvend dig da til den lokale kommune, til dit affaldsselskab eller den forretning hvor du købte produktet.

 Dette apparat overholder bestemmelserne i EU-direktiverne 2014/35/EU, 2014/30/EU og 2011/65/EU.

CANDY HOOVER GROUP S.r.l. Via Privata Eden Fumagalli, 20861 Brugherio (MB) Italy

## LÆR DIN STØVSUGER AT KENDE

- |                                            |                                        |
|--------------------------------------------|----------------------------------------|
| A. Låg til tilbehør                        | M. Hovedmundstykke**                   |
| B1. Slangeholder*                          | N. Tæppe- og gulvmundstykke*           |
| B2. Håndtagskrog*                          | O. Udløsningspedal til batteriet       |
| B3. Slangeholder*                          | P. Batteripakke                        |
| C. Variabel sugestyrke*                    | P1. LED-lamper til batteriindikator    |
| D. Poselåg                                 | P2. Knap for status af batterioplading |
| E. Udløsningknap til poselåg               | P3. Opladningsport                     |
| F. Tænd/sluk-pedalknap                     | Q. Oplader                             |
| G. Indikator til posekontrol               | R. Pose                                |
| H. Låsepal til tilbehørslem                | S. Udsugningsfilter                    |
| I. Sugekontrol                             | T. Præ-Motor Filter                    |
| J. Slange                                  | U. Poseholder                          |
| K. Teleskoprør**                           | V1. Fugemundstykke*                    |
| Ka. Pal til teleskopisk rør*               | V2. Børstemundstykke*                  |
| Kb. Reguleringsanordning til teleskoprør** | V3. Møbelmundstykke*                   |
| L. Pal til mundstykke*                     | W. Parketgulvs mundstykke*             |

## LÆR DIN STØVSUGER AT KENDE

Udtag alle komponenter fra emballagen.

1. Tilslut slangen til selve renserens hoveddel. For at frigøre slangen: tryk blot på de to låge for enden af slangen, og træk. [1]
2. Tilslut håndtaget til rørets øverste ende. [2]
3. Tilslut rørets nederste ende til mundstykket til hårde gulve\*\* eller evt. andet tilbehør. [3]
4. Isæt batteripakken ved at skubbe den korrekt ind i støvsugeren. Du hører et klik, når den er korrekt tilsluttet. [4] For at fjerne batteripakken skal du skubbe batteriets udløsningspedal på støvsugeren og tage den ud.

## OPLADNING AF BATTERIPAKKE OG BRUG

Før batteripakken tages i brug, skal den oplades i 5,5 timer.

For at oplade batteripakken skal du tage den ud af støvsugeren ved at trykke på batteripakkens udløsningspedal [5a] og sætte opladeren ind i opladningsporten på batteripakken. Batteripakken kan også oplades, når den isættes støvsugeren. [5b]

Når opladeren er tilsluttet, lyser LED-lamperne på batteriindikatoren, efterhånden som batteriet oplades, indtil alle fire lamper lyser.

Når batteripakken er fuldt opladet, forbliver de fire LED-lamper tændt, og de slukker efter 5 minutter.

**VIGTIGT:** Støvsugerens ON/OFF-pedal skal altid være i OFF-position under opladning.

### LED-LAMPER TIL BATTERIINDIKATOR

○○● <15%, blinker

○○● 15%~25%

○○●● 26%~50%

○●●● 51%~75%

●●●● 76%~100%

**VIGTIGT:** Sørg altid for, at batteriet er tilstrækkeligt opladet før brug.

Oplad din støvsuger, hvis en af LED-lamperne blinker (restkapacitet ≤ 15%).

Når støvsugeren er i brug, lyser LED-lamperne til batteriindikatoren, som viser, hvor meget den er opladt.

Når batteriets opladningsniveau er ca. 20 %, bipper alarmen 3 gange for at signalere at batteriet er ved at løbe ud. Hvis batteriets ikke oplades, slukker støvsugeren automatisk efter få sekunder.

Når batteriopladningsniveauet er ≤ 15%, blinker den første LED-lampe i 5 sekunder, før støvsugeren automatisk slukkes.

Når støvsugeren ikke er i brug, kan batteriniveauet tjekkes ved at trykke på statusknappen for batterioplading (P2). LED-lamperne på batteriindikatoren forbliver tændt i 5 sekunder.

### VIGTIGT:

1. Du må kun bruge den oplader, som fulgte med din støvsuger.
2. Opladningstemperatur: 0~45°C.
3. Ved opladning af støvsugeren slukkes den automatisk.
4. Det er normalt for opladeren at blive varm at røre ved under opladning.
5. Træk opladeren ud af stikket ved længere tids fravær (ferie o.lign.).

**BEMÆRK:** For at optimere batteriets ydeevne bør du fuldt oplade batteripakken med regelmæssige mellemrum eller mindst en gang om året.

## BRUG AF STØVSUGEREN

1. Indstil teleskoprøret i den ønskede højde ved at skubbe teleskoprørets justeringsanordning\*\* opad og løfte eller sænke røret til den ønskede rengøringsposition. [6]
2. Tilslut teleskoprørets nederste ende til hovedmundstykket\*\* eller til andet evt. tilbehør. Hvis modellen er udstyret med et tæppe- og gulvmundstykke\*\*, trykkes der på gulvtypevælgerpedalen\* på mundstykket for at vælge den ideelle rengøringsfunktion: [7]

**Hårdt gulv** – Børsterne sænkes for at beskytte gulvet.

**Tæppe** – Børsterne hæves for den dybegående rengøring.



**Tæppe- og gulvmundstykke\*:**

- **Rengøring af hårde gulve:** Tryk pedalen på mundstykket i indstilling for hårde gulve og justér glideren på mundstykket til ALLE GULVE. I denne stilling sænkes børsterne, hjulene og viskerbladet for at beskytte hårde gulve. [8a]

- **Standardrengøring af gulvtæpper og løse tæpper:** Tryk pedalen på mundstykket i indstilling for gulvtæpper og justér glideren på mundstykket til ALLE GULVE. I denne stilling løftes børsterne og viskerbladet, mens hjulene sænkes for at give en perfekt bevægelsesfrihed på sådanne overflader. [8b]

- **Dyb rengøring af gulvtæpper:** Tryk pedalen på mundstykket i indstilling for gulvtæpper og justér glideren på mundstykket til DYB RENGØRING AF GULVTÆPPER. I denne stilling løftes børsterne, hjulene og viskerbladet for en dybere rengøring af dit gulvtæppe. [8c]

**ADVARSEL: Det anbefales at undgå eventuelle ridser af trægulve, da pedalen ikke er sat i indstillingen for hårde gulve og glideren på dyb rengøring af gulvtæpper.**

3. Tænd for støvsugeren ved at trykke på tænd/sluk-pedalknappen på støvsugeren.
4. Variabel skydeknap til at forøge eller reducere sugekraften. [9]
5. Juster sugekraften til det ønskede niveau.
6. Sluk efter brug ved at trykke på tænd/sluk-pedalknappen.

**AFSNIT OM OPBEVARING**

1. Røret kan placeres på bagsiden eller på bunden af støvsugeren under opbevaring eller under midlertidigt pause i brugen. [10]
2. Slangen, røret og mundstykket kan placeres i 'Nano Pack™' position, når de ikke er i brug\*: [11]
  - A. Skub teleskoprøret sammen til opbevaringslængden.
  - B. Fjern mundstykket fra teleskoprørets ende.
  - C. Fjern slangehåndtaget fra teleskoprøret.
  - D. Løft slangeholderen bag på støvsugeren, og sno den fleksible slange omkring støvsugeren.
  - E. Placer slangehåndtaget i håndtagholderen på støvsugeren.
  - F. Sæt mundstykket fast i parkeringslåsen under støvsugeren.
  - G. Sæt teleskoprøret fast i den anden parkeringslås under støvsugeren.

**VEDLIGEHOLDELSE AF STØVSUGEREN****Udskiftning af støvposen**

Hvis posekontrolindikatoren er rød, så kontroller venligst, og om nødvendigt, udskift posen.

1. Løft posedørens udløsningslås for at åbne posedøren, luk posen for at undgå at der slipper støv ud ved at trække i fligen og så fjerne posen [12]. Den fulde støvpose bør bortskaffes korrekt og omhyggeligt.
2. fold en ny pose som vist på posen, og sæt den i støvsugeren ved at sætte posekraven ind i poseholderen. [13]

3. Luk posedøren.

**HUSK:** Posekontrolindikatoren kan være rød, hvis der opstår en tilstopning. I dette tilfælde, se "Sådan fjerner du en tilstopning fra systemet".

**Rensning af filter:**

For at opretholde støvsugerens optimale sugeevne skal for-motorfilteret og udblæsningsfilteret udskiftes efter hvert 5. poseskift.

**Rensning af for-motor filter:**

1. Løft palen til poselågen for at for at åbne poselågen.
2. Skub for-motorens filterramme af støvsugeren for at fjerne for-motorfilteret. [14]
3. Fjern filteret fra holderen. [14]
4. Vask det i håndvarmt vand og lad det tørre fuldstændigt før det sættes tilbage i rengøringsmaskinen. [16,17,18]

**Rengøring af udsugningsfilteret:**

1. For at fjerne udblæsningsfilteret, luk posedøren op og fjern filterpakningen. [15]
2. Vask filteret i lunkent vand, og lad det helt tørre, før det isættes i støvsugeren. [16,17,19]

**HUSK:** Brug ikke meget varmt vand eller rengøringsmidler. Skulle det ske at filtre bliver beskadiget, isættes en original Hoover udskiftning. forsøg ikke på at anvende produktet uden en støvpose eller et filter isat.

**Rengøring af den permanente støvpose\* (kun til visse modeller)**

For at opnå optimal ydelse anbefaler vi, at du vasker den permanente støvpose i lunkent vand, efter den har været tømt 5 gange. Fjern det overskydende vand, og lad den tørre fuldstændig, inden den sættes i støvsugeren.

**Fjernelse af en tilstopning af systemet.**

Hvis posekontrolindikatoren er rød:

1. Kontroller om posen er fuld. Hvis den er, se 'Udskiftning af støvpose'.
2. Hvis den ikke er fuld, så;
  - A. Trænger filtrene til at blive rensede? Hvis den er, se 'Rensning af filter'.
  - B. Kontrollér, om der er andre tilstopninger i systemet - Brug en stang eller et skaft til at fjerne eventuelle tilstopninger fra teleskoprøret eller den bøjelige slange.

**ADVARSEL\*:** - Kontrollampen for posen vil forblive rød hvis støvsugeren er fuld, hvis der er en tilstopning eller hvis filtrene er snavsede. Hvis støvsugeren bruges i en periode på mere end ti minutter mens posens kontrolindikator lyser, vil en elektronisk afbryder slukke for støvsugeren for at forhindre risikoen for overophedning. Hvis dette skulle forekomme, sluk for støvsugeren, træk stikket ud og ret fejlen (se "Sådan fjerner du en tilstopning fra systemet"). Sikringen bliver automatisk genindstillet når rengøringsmaskinen bliver tændt.

**Udskiftning af batteri**

Denne støvsuger er udstyret med en genopladelig Lithium-ion batteripakke, som kan udskiftes.

**ADVARSEL:** Brug kun godkendte udskiftningsdele for din støvsuger. Dele, som ikke er godkendt af Hoover, er farlige og gør din garanti ugyldig.

**ADVARSEL:** Forsøg ikke at åbne batteripakken og reparere den selv.

1. Saml den multicykloniske adskillelsesenhed med støvbeholderen, og drej den i position.
2. Tryk på batteriets udløsningsknap, og batteripakken skubbes automatisk ud.
3. Fjern den gamle batteripakke og udskift med en ny batteripakke.
4. Bortskaf batterierne på en sikker måde. Brugte batterier skal afleveres på en genbrugsstation og ikke smides ud sammen med husholdningsaffald.

#### **Bortskaffelse når batterierne ikke dur mere.**

Hvis støvsugeren skal kasseres, bør batterierne fjernes. Brugte batterier skal afleveres på en genbrugsstation og ikke smides ud sammen med husholdningsaffald.

**VIGTIGT:** Aflad altid batterierne helt, før de fjernes.

1. Kør med støvsugeren, indtil batterierne er helt tomme.
2. Saml den multicykloniske adskillelsesenhed med støvbeholderen, og drej den i position.
3. Tryk på batteriets udløsningsknap, og batteripakken skubbes automatisk ud.
4. Fjern batterierne fra støvsugeren.

**Bemærk:** Hvis du har problemer med at afmontere enheden eller ønsker mere detaljerede oplysninger om behandling, genanvendelse og genbrug af dette produkt, bedes du kontakte kommunen eller husholdningsaffaldsbortskaffelsesservice.

## TILBEHØR OG MUNDSTYKKER

Fugemundstykket, møbelmundstykket og støvbørsten opbevares i selve støvsugeren under tilbehørslågen. Og disse kan monteres på slangens håndtag eller for enden af teleskoprøret. [20]

- **Fugemundstykke\*** – Til hjørner og områder, der er vanskelige at komme til. [V1]
- **Børstemundstykke\*** – Til bogreoler, rammer, tastaturer og andre sarte områder. [V2]
- **Møbelmundstykke\*** – Til bløde møbler og stoffer. [V3]
- **Parketgulvs mundstykke\*** – Til parketgulve og andre sarte gulve. [W]

## BRUGER-CHECKLISTE

Hvis du får et problem med produktet, skal du udfylde denne enkle brugercheckliste, før du ringer til den lokale Hoover-service.

- Virker strømforsyningen til støvsugeren? Kontroller om støvsugeren er opladet
- Er støvposen overfyldt? Se venligst under "Vedligeholdelse af støvsugeren".
- Er filteret tilstoppet? Se venligst under "Vedligeholdelse af støvsugeren".
- Er slangen eller mundstykket tilstoppet? Se "Sådan fjerner du en tilstopning fra systemet".
- Kan du ikke tænde støvsugeren? Tjek, om batteriet er opladet.
- Kan batteriet ikke oplades?
- Dette kan skyldes lange oplagringsperioder (mere end et år) Kontakt Hoover

kundeservice for at bestille udskiftning af batteriet. Der henvises til "Udskiftning af batteri".

**BEMÆRK:** Spændingen på en korrekt oplader er fra 19V til 22V og ladestrømmen er 1A-2A.

## VIGTIGE OPLYSNINGER

### **Hoover Reservedele og Forbrugsstoffer**

Udskift altid dele med ægte HOOVER reservedele. Disse fås fra den lokale HOOVER forhandler eller direkte fra Hoover, Når du bestiller dele, skal du altid opgive modelnummer.

- Batteripakke: BAT18VLI 39800040

### **Kvalitet**

HOOVERs fabrikker er blevet vurderet uafhængigt for kvalitet. Vores produkter fremstilles med brug af et kvalitetssystem, der opfylder kravene i henhold til ISO 9001.

### **Din reklamationsret**

Garantibetingelserne for dette apparat er som defineret af vores repræsentant i det land, hvor det er solgt. Oplysninger vedrørende disse betingelser kan indhentes hos den forhandler, apparatet er købt hos. Kvitteringen skal fremvises i forbindelse med ethvert krav under disse garantibetingelser.

**VIGTIGT:** Batteriet i denne støvsuger har en garanti på 2 år fra købsdatoen. Efter 2 år er udgifterne for et nyt batteri kundens ansvar.

Ret til ændringer uden varsel forbeholdes

## INSTRUKSJONER FOR SIKKER BRUK

Dette apparatet må kun brukes til husrengjøring, og slik denne bruksanvisningen beskriver. Sørg for at denne veiledningene er forstått fullstendig før du bruker apparatet.

Apparatet må ikke forlates mens det er tilkoblet strømmettet. Slå alltid av apparatet og koble fra støpselet etter bruk samt før apparatet rengjøres eller vedlikeholdes.

Apparatet kan brukes av barn fra 8 år, og av personer med nedsatte fysiske, sanselige eller mentale evner, eller manglende erfaring og kunnskap, dersom de er under oppsyn eller har fått opplæring i sikker bruk av apparatet og forstår farene bruk av apparatet kan medføre. Barn skal ikke leke med apparatet. Rengjøring og vedlikehold skal ikke utføres av barn uten oppsyn.

Bruken av apparatet må opphøre umiddelbart dersom strømledningen er skadet. Unngå sikkerhetsfarer ved å la en autorisert HOOVER-tekniker skifte ut strømledningen.

Hold hender, føtter, løse klær og hår unna roterende børster.

Bruk den opprinnelige laderen som fulgte med apparatet.

Kontroller at forsyningsspenningen er den samme som er angitt på laderen.

Dette Hoover-apparatet leveres med dobbeltisolert batterilader, som kun kan settes i et 230V (britisk 240V) strømuttak.

Koble laderen til et egnet strømuttak, og koble laderens kontakt til apparatet.

For første gangs bruk, lad batteripakken i 5,5 timer.

For å lade batteripakken, ta den av rengjøringsapparatet ved å trykke på batteriets utløserpedal og plugg laderen inn i ladekontakten på batteripakken.

Batteripakken kan også lades når den er inne i rengjøringsapparatet. [5]

Sørg for at rengjøringsapparatet er skrudd av under ladingen.

Når laderen er tilkoblet, vil LED-lysene på batteripakken som indikerer batteristatus lyse så lenge batteriet lades, inntil alle fire lampene er tent.

Når den er ferdig oppladet, vil de fire LED-lampene forbli tente og vil slukke etter 5 minutter.

Koble apparatet tilbake i laderen etter bruk, slik at batteriet lades opp.

Lad aldri batteriene i temperaturer over 45 °C eller under 0 °C.

Det er vanlig at laderen er varm ved berøring under lading. Når du lader rengjøringsapparatet, vil den slå seg av automatisk.

Ikke koble fra laderen ved å trekke i ledningen.

Koble fra laderen dersom du er borte over langre tid (f.eks. ferie). Produktet bør lades opp igjen før bruk, da batteriene kan selvutløses ved lengre tids lagring.

Hvis apparatet skal avhendes, bør batteriene fjernes først. Apparatet må være frakoblet strømmettet når du fjerner batteriet. Kast batteriene på en trygg måte. La apparatet gå til den stopper fordi batteriene er helt tømt. Brukte batterier bør leveres til en gjenbruksstasjon, og ikke kastes sammen med husholdningsavfall. For å fjerne batteriene, bør du kontakte Hoovers kundesenter, eller fortsette som anvist nedenfor:

**VIKTIG:** Tøm alltid batteriene helt før fjerning, og kontroller at laderen er koblet fra.

La rengjøringsapparatet gå til batteriene er helt tømt.

Ta laderkontakten ut av apparatet.

Trykk på batteriets utløserknapp for å støte ut batteripakken.  
[5]

Dra batteripakken sakte ut av hakket. [5]

**MERK:** Hvis du har vanskeligheter med å demontere enheten eller ønsker mer detaljert informasjon om behandling, gjenvinning og resirkulering av apparatet, ta kontakt med kommunen eller renovasjonsselskapet.

Ikke erstatt batteriene med ikke-oppladbare batterier.

Bruk kun tilbehør, forbruksvarer eller reservedeler som anbefales eller leveres av HOOVER.

**Statisk elektrisitet:** Enkelte tepper kan bygge opp små mengder statisk elektrisitet. Utladning av statisk elektrisitet er ikke helseskadelig.

Du må ikke bruke apparatet utendørs, på våte overflater eller til å støvsuge væske.

Du må ikke støvsuge harde eller skarpe objekter, varm aske, sigarettneiper eller andre liknende gjenstander.

Apparatet må ikke utsettes for eller støvsuge opp brennbare væsker, rengjøringsmidler, aerosoler eller damp fra slike væsker.

Unngå å kjøre over ledningen eller trekke ut støpselet under bruk.

All bruk av apparatet må opphøre hvis det viser tegn på feilfunksjon.

**HOOVER-service:** For å sikre at apparatet fortsetter å fungerer på en trygg og effektiv måte, anbefaler vi at service- og reparasjonsarbeid kun utføres av autoriserte HOVER-

teknikere.

Du må ikke stå på ledningen eller la den vikle seg rundt armene eller bena dine under bruk.

Du må ikke bruke apparatet til å rengjøre dyr eller mennesker.

Apparatet må ikke være plassert ovenfor deg under rengjøring av trapper.

#### Miljøet

Symbolet på dette apparatet indikerer at det ikke kan betraktes som husholdningsavfall. Ved avhending må apparatet overleveres til en egnet miljøstasjon for resirkulering av elektrisk og elektronisk utstyr. Avhendingen må gjennomføres i samsvar med lokale miljøforskrifter for avfallshåndtering. Du kan få mer detaljert informasjon om avfallsbehandling, gjenvinning og resirkulering av dette apparatet ved å ta kontakt med vårt nærmeste lokalkontor, renovasjonsetaten eller forretningen du kjøpte apparatet hos.



**CE** Dette apparatet er i overensstemmelse med EU-direktivene 2014/35/EU, 2014/30/EU og 2011/65/EU.

CANDY HOOVER GROUP S.r.l. Via Privata Eden Fumagalli, 20861 Brugherio (MB) Italy

## BLI KJENT MED STØVSUGEREN DIN

- |                                  |                                            |
|----------------------------------|--------------------------------------------|
| A. Dør for tilbehør              | M. Hoveddyse**                             |
| B1. Slangeholder*                | N. Munnstykke til teppe og gulv*           |
| B2. Håndtaksholder*              | O. Batteriets utløserpedal                 |
| B3. Rørholder*                   | P. Batteripakke                            |
| C. Variabel strømkontroll*       | P1. LED-lamper som indikerer batteristatus |
| D. Dør for pose                  | P2. Batteriets ladestatus-knapp            |
| E. Posedørens utløser            | P3. Ladekontakt                            |
| F. På/av-knapp                   | Q. Lader                                   |
| G. Posekontrollindikator         | R. Pose                                    |
| H. Utløser på døren for tilbehør | S. Avgassfilter                            |
| I. Sugeregulator                 | T. Pre-motor filter                        |
| J. Slange                        | U. Poseholder                              |
| K. Teleskoprør**                 | V1. flatt munnstykke,*                     |
| Ka. Teleskoprøråls*              | V2. støvbørste*                            |
| Kb. Teleskoprørjustering**       | V3. møbelmunnstykke,*                      |
| L. Munnstykkelås*                | W. Munnstykke for parkett*                 |

## BLI KJENT MED STØVSUGEREN DIN

Fjern alle komponenter fra emballasjen.

1. Fest slangen til rengjøringsapparatets hoveddel. For å løse ut slangen: trykk inn de to låsene på enden av slangen og trekk. [1]
2. Fest håndtaket på den øvre enden av røret. [2]
3. Kople rørets nedre endestykke til munnstykket for hardt gulv " eller tilbehør hvis påkrevd. [3]
4. Sett batteripakken inn ved å dytte den inn i rengjøringsapparatets åpning og sørg for at den er satt i riktig posisjon. Du vil høre et klikk når den er riktig koplet til. [4] For å ta ut batteripakken, trykk på batteriets utløserpedal på rengjøringsapparatet og ta den ut.

## LADING AV BATTERIPAKKEN OG BRUK

For første gangs bruk, lad batteripakken i 5,5 timer.

For å lade batteripakken, løsne den fra rengjøringsapparatet ved å trykke på batteripakkens utløserpedal [5a] og plug laderen inn i ladekontakten på batteripakken. Batteripakken kan også lades når den er inne i rengjøringsapparatet. [5b]

Når laderen er tilkoblet, vil LED-lysene på batteripakken som indikerer batteristatus lyse så lenge batteriet lades, inntil alle fire lampene er tent.

Når den er ferdig oppladet, vil de fire LED-lampene forbli tente og vil slukke etter 5 minutter.

**VIKTIG:** Rengjøringsapparatets on/off-pedal må alltid være i posisjon OFF ved lading.

### LED-LAMPER SOM INDIKERER BATTERISTATUS:

- <15%, blinker
- 15%~25%
- 26%~50%
- 51%~75%
- 76%~100%

**VIKTIG:** Sørg alltid for at det er tilstrekkelig batterikapasitet før bruk.

Lad rengjøringsapparatet hvis én av LED-lampene blinker (gjenværende kapasitet  $\leq 15\%$ ).

Når rengjøringsapparatet er i bruk, vil LED-lampene som indikerer batteristatus lyse opp og indikere hvor mye batterikapasitet som gjenstår.

Når batteriets ladenivå er nådd 20% vil det høres et lydsignal med tre pip som melder fra om at batteriet er på vei til å lades ut. Hvis den ikke er ladet vil rengjøringsapparatet automatisk slå seg av etter noen få minutter.

Når batterinivået er  $\leq 15\%$ , vil den første LED-lampen blinke i 5 sekunder før rengjøringsenheten automatisk slås av..

Når rengjøringsapparatet ikke er i bruk, kan batterinivået sjekkes ved å trykke på batteriets statusknapp (P2). LED-lampenes indikator for batteristatus vil forbli tent i 5 sekunder.

### VIKTIG:

1. Bruk kun laderen som ble levert sammen med rengjøringsapparatet.
2. Ladetemperatur: 0~45°C.
3. Når du lader rengjøringsapparatet, vil den slå seg av automatisk.
4. Det er vanlig at laderen er varm ved berøring under lading.
5. Koble fra laderen dersom du er borte over langre tid (f.eks. ferie).

**MERK:** For å optimalisere batteriytelsen, bør du lade batteripakken helt opp med jevne mellomrom, eller minst én gang per år.

## BRUK AV APPARATET

1. Juster teleskoprøret til ønsket høyde ved å bevege teleskoprørreguleringen\*\* og heve eller senke røret til det er i en mest mulig komfortabel høyde for støvsuging. [6]
2. Kople teleskopiske rørets nedre endestykke til hoveddysen \*\* eller til tilbehøret hvis påkrevd. Hvis modellen er utstyrt med munnstykke for gulv og teppe \*\*, trykk på gulvbryterpedalen på munnstykket for å velge ideell rensemodus for gulvtypen. [7]  
**Hardt gulv** – Børstene senkes for å beskytte gulvet.  
**Teppe** – Børstene heves for dyp rengjøring.

**Teppe- og gulvdyse\*:**

- **Rengjøring av hardt gulv:** Trykk på pedalen på munnstykket for hard gulv-modus og juster glidebryteren på munnstykket til ALLE GULV. I denne posisjonen vil børster, hjul og viskeblad senkes for å beskytte harde gulv. [8a]

- **Standard rengjøring av Tepper & Pledd:** Trykk på munnstykkepedalen for teppemodus og juster glidebryteren til munnstykket for ALLE GULV. I denne posisjonen vil børster og viskerbladet løftes mens hjulene senkes for å lette rengjøringen på disse overflatene. [8b]

- **Dyp tepperens:** Trykk på munnstykkets pedal i teppemodus og juster glidebryteren på munnstykket for DYP TEPPERENS. I denne posisjonen vil børster og viskerblad heves for en dypere rens av teppet. [8c]

**ADVARSEL: For å unngå oppskraping av tregulv er det anbefalt å ikke sette pedalen i hardt gulv - modus og glidebryteren på dyp gulvrens.**

- Slå på støvsugeren ved å trykke inn av/på-pedalen på støvsugerens hoveddel.
- Gli den variable strømkontrollen for å øke eller redusere sugestyrken. [9]
- Juster sugeregulatoren til ønsket nivå.
- Slå av apparatet ved å trykke på av/på-pedalen på enden.

**AVSNITT OM PARKERING OG OPPBEVARING**

- Røret kan festes på baksiden eller undersiden av støvsugeren når den skal settes bort eller forlates midlertidig under bruk. [10]
- Slangen, røret og munnstykket kan være i "Nano Pack™"-posisjon når støvsugeren ikke brukes. [11]
  - Trekk teleskoprøret tilbake til lagringslengde.
  - Fjern munnstykket fra enden av teleskoprøret.
  - Fjern slangehåndtaket fra teleskoprøret.
  - Løft opp slangeholderen bak på støvsugeren og pakk den fleksible slangen rundt produktet.
  - Sett slangehåndtaket på plass på produktet ved å føre deg gjennom håndtaksholderen.
  - Fest munnstykket til lagringsfestet under produktet.
  - Fest teleskoprøret til det gjenværende lagringsfestet under produktet.

**VEDLIKEHOLD AV STØVSUGEREN****Bytte støvposen**

Hvis posekontrollindikatoren er rød, må du kontrollere, og hvis nødvendig, bytte ut posen.

- Løft opp utløseren på posedøren for å åpne den. Lukk posen slik at støv ikke faller ut ved å holde i klaffen og ta ut posen [12]. Den fulle støvsugerposen skal bli kastet korrekt og forsiktig.
- Brett en ny pose som vist på posen, og tilpass ved å sette kragen inn i poseholderen. [13]
- Lukk posedøren.

**HUSK:** Posens kontrollindikator kan også lyse rødt hvis en fortetting har oppstått. Se "Fjerne en tilstopping fra systemet" hvis dette er tilfelle.

**Rengjøring av filteret:**

For å opprettholde optimal ytelse for din støvsuger, må du vaske pre-motor-filteret og utsugingsfilteret etter hvert 5. posebytte.

**Rengjøring av pre-motor-filteret:**

- Løft opp posedørens utløser for å åpne posedøren.
- For å fjerne pre-motor-filteret, gli pre-motorens filterramme fra støvsugeren. [14]
- Fjern filteret fra holderen. [14]
- Vask det i lunkent vann, og la det tørke godt før du plasserer det i støvsugeren. [16,17,18]

**Rengjøring av avgassfilteret:**

- Ta ut avgassfilteret ved å åpne posedøren og fjern filterpakken. [15]
- Vask filteret i lunkent vann og la det tørke helt før du setter det inn igjen i rengjøringsapparatet. [16,17,19]

**HUSK:** Ikke bruk for varmt vann eller vaskemidler. I det usannsynlige tilfellet at filteret blir ødelagt, tilpass en erstatning fra Genuine Hoover. Ikke prøv å bruk produktet uten en støvpose eller filter innsatt.

**Rengjøre den permanente stoff-støvposen\* (bare for visse modeller)**

For optimal ytelse bør du vaske støvpose-kluten i lunkent vann etter hvert 5. støvposebytte. Fjern overflødig vann og la det tørke helt, sett inn i rengjøringsapparatet.

**Fjerne en tilstopping fra systemet**

Hvis posens kontrollindikator lyser rødt:

- Kontroller om posen er full. Hvis det er tilfellet, sjekk "Bytte støvposen".
- Hvis den ikke er full, så;
  - Trenger filteret å bli rensert? Hvis det er tilfellet, sjekk "Rense filteret".
  - Kontroller om det finnes andre tilstoppinger i systemet - Bruk et stag eller en stake for å fjerne tilstopping fra teleskoprøret eller den fleksible slangen.

**ADVARSEL\*:** - Posekontrollindikatoren fortsetter å lyse rødt hvis støvsugeren brukes mens posen er full, hvis det finnes en tilstopping eller hvis filteret er skittent. Hvis støvsugeren brukes i over ti minutter mens posekontrollindikatoren lyser rødt, vil en elektronisk utkoblingsbryter slå av støvsugeren for å unngå overoppheting. Hvis dette skulle skje, slå støvsugeren av, koble fra og rett feilen (se "Fjerne en blokkering"). Avstengingen tilbakestilles automatisk når støvsugeren slås på igjen.

**Utskifting av batteri**

Dette rengjøringsapparatet er utstyrt med en oppladbar litium-ion-batteripakke, som kan skiftes ut.

**ADVARSEL:** Bruk bare godkjente reservedeler til rengjøringsapparatet. Å bruke deler som ikke er godkjent av Hoover er farlig og vil ugyldiggjøre garantien.

**ADVARSEL:** Ikke prøv å åpne batteripakken og reparere den selv.

- Trykk på batteriets utløserknapp og batteripakken vil støtes ut automatisk.
- Fjern batteripakken langsomt fra rengjøringsapparatet.

3. Fjern den gamle batteripakken og erstatt den med den nye batteripakken.
4. Kast batteriene på en trygg måte. Brukte batterier bør leveres til en gjenbruksstasjon, og ikke kastes sammen med husholdningsavfall.

#### **Avhending av batterier ved utgangen av produktets levetid**

Hvis rengjøringsapparatet skal avhendes, bør batteriene fjernes. Brukte batterier bør leveres til en gjenbruksstasjon, og ikke kastes sammen med husholdningsavfall.

**VIKTIG:** Tøm alltid batteriene helt før fjerning, og kontroller at laderen er koblet fra.

1. La rengjøringsapparatet gå til batteriene er helt tømte.
2. Trykk på batteriets utløserknapp og batteripakken vil støtes ut automatisk.
3. Fjern batteripakken langsomt fra rengjøringsapparatet.
4. Fjern batteriene fra rengjøringsapparatet.

**Merk:** Dersom du får problemer med demontering av enheten, eller hvis du ønsker mer detaljert informasjon om behandling, gjenvinning og resirkulering av produktet, kan du ta kontakt med lokale myndigheter eller din lokale tjenester for fjerning av husholdningsavfall.

### **TILBEHØR OG MUNNSTYKKER**

The flate munnstykket\*, møbelmunnstykket\* og støvbørsten\* oppbevares inni støvsugeren, under døren for tilbehør. De kan også festes på håndtaket eller på enden av teleskoprøret. [20]

- **flatt munnstykke,\*** – til hjørner og steder som er vanskelige å komme til. [V1]
- **støvbørste\*** – for bokhyller, rammer, tastatur og andre ømfintlige områder. [V2]
- **møbelmunnstykke,\*** – For myke møbler og stoffer. [V3]
- **Munnstykke for parkett\*** – for parkettgulv og andre ømtålige gulv. [W]

### **SJEKKLISTE FOR BRUKEREN**

Hvis det oppstår problem med produktet, må du fylle ut denne enkle brukersjekklisten før du kontakter din nærmeste HOOVER-service.

- Får støvsugeren tilført strøm? Kontroller at rengjøringsapparatet er ladet opp.
- Er støvposen overfylt? Vennligst sjekk "Vedlikehold av Støvsugeren".
- Er filteret blokkert? Vennligst sjekk "Vedlikehold av Støvsugeren".
- Er slangen eller munnstykket blokkert? Vennligst sjekk "Fjerne en blokkering fra systemet".
- Skruer ikke rengjøringsapparatet seg på? Vennligst se om batteriet er ladet.
- Kan ikke batteriet lades?
- Dette kan være et resultat av en veldig lang oppbevaringstid (over ett år). Ta kontakt med Hoover kundeservice for å avtale utskifting av batteri. Vennligst se "Skifte ut batteriet".

**MERK:** Spenningen på en riktig lader er på mellom 19V og 22V og ladestrømmen er 1A til 2A.

### **VIKTIG INFORMASJON**

#### **Reservedeler og forbruksdeler fra HOOVER**

Bruk alltid originale reservedeler fra HOOVER. Du får tak i disse hos nærmeste HOOVER-forhandler, eller direkte fra Hoover. Når du bestiller deler, må du alltid oppgi modellnummeret ditt.

- Batteripakke: BAT18VLI 39800040

#### **Kvalitet**

HOOVERS fabrikker har blitt uavhengig kvalitetsvurdert. Produktene våre er fremstilt med et kvalitetssystem som oppfyller kravene i ISO 9001.

#### **Din garanti**

Garantibetingelsene for dette apparatet er som definert av vår representant i det landet der det ble solgt. Detaljer vedrørende disse betingelsene fås fra forhandleren der apparatet ble kjøpt. Salgskvitteringen må fremvises ved fremsetting av krav under betingelsene i denne garantien..

**VIKTIG:** Batteriet som medfølger dette rengjøringsapparatet har 2 års garanti fra kjøpsdato. Etter 2 år må kunden selv stå for kostnaden av et nytt batteri.

Kan endres uten forvarsel.

## INSTRUKTIONER FÖR SÄKER ANVÄNDNING

Som beskrivs i denna bruksanvisning, får denna apparat endast användas vid städning av hemmet. Se till att du förstår anvisningarna helt innan du börjar använda maskinen.

Lämna aldrig denna apparat inkopplad. Stäng alltid av apparaten och dra ut kontakten ur vägguttaget efter användning eller innan rengöring av produkten eller utföring av en underhållsåtgärd.

Den här apparaten kan användas av barn från 8 års ålder och personer med en nedsatt fysisk, sensorisk eller mental förmåga och som inte har den erfarenhet och kunskaper som behövs, förutsatt att de övervakas eller har fått instruktioner om hur apparaten används på ett säkert vis och förstår riskerna som är involverade. Barn får inte leka med apparaten. Rengöring och underhåll som användaren ska utföra, får inte göras av barn utan överinseende.

Om nätsladden är skadad, sluta då omedelbart att använda produkten. För att undvika en säkerhetsrisker, måste en auktoriserad servicetekniker från HOOVER byta nätsladden.

Håll händer, fötter, lösa klädesplagg och hår borta från roterande borstar.

Använd endast den ursprungliga laddaren som följer med apparaten.

Kontrollera att din nätspänning är samma som är angivet på laddaren.

Denna Hoover ångrengörare levereras med en dubbelisolerad batteriladdare som endast är lämplig i ett 230V (Storbritannien 240V) uttag.

Koppla in laddaren i lämpligt eluttag och anslut laddaren till apparaten.

Ladda batterisatsen i 5,5 timme innan den första användningen.

För uppladdning av batterisatsen, ta bort den från dammsugaren genom att trycka på frigöringspedalen och stoppa in laddaren i laddningsporten som finns på batterisatsen.

Du kan även ladda batterisatsen när den har stoppats in i dammsugaren. [5]

Se till så att dammsugaren är avstängd under laddningen.

När laddaren är ansluten kommer LED-lamporna på batteriets indikator att tändas allt eftersom batteriet laddas tills alla fyra punkter har tänts.

När den är fulladdad kommer LED-lamporna att förbli tända och slockna efter 5 minuter.

Anslut apparaten till laddaren igen efter användning för att ladda batteriet.

Ladda aldrig batterier i temperaturer över 45°C eller under 0°C.

Det är normalt att laddaren blir varm när laddning pågår. När dammsugaren laddas stängs den av automatiskt.

Dra inte ut kontakten till laddaren genom att dra i kabeln.

Koppla ur laddaren vid långvarig frånvaro (semester, etc.). Ladda produkten igen innan användning då batterierna kan själv laddad ur under förlängda förvaring.

Om maskinen ska kasseras måste batterierna först tas bort. Maskinen måste kopplas bort från elnätet vid borttagning av batterierna. Kassera batterierna på ett säkert sätt. Kör apparaten tills den stannar på grund av att batterierna är helt urladdade. Användna batterier bör tas till en återvinningsstation och inte disponeras med



hushållssoporna. För att ta bort batterierna, kontakta kundtjänsten på Hoover eller fortsätt enligt följande instruktioner.

**VIKTIGT:** Ladda alltid ur batterier helt innan de tas ut.

Kör ångrengöraren till det att batterierna är helt tomma.

Dra ur laddarens stickpropp ur apparaten.

Tryck på batteriets frigöringsknapp för att ta ut batterisatsen.  
[5]

Dra långsamt ur batteripaketet ur facket. [5]

**OBS!** Om du upplever några svårigheter med att montera ner enheten eller för mer information om hantering eller återvinning av den här maskinen, var god och kontakta dina lokala myndigheter eller din återvinningsstation.

Ersätt inte batterierna med icke-uppladdningsbara batterier.

Använd endast tillbehör, förbrukningsartiklar eller reservdelar som rekommenderas eller levererats av HOOVER.

**Statisk elektricitet:** Vissa mattor kan orsaka en liten uppbyggnad av statisk elektricitet. Elektrostatiska urladdningar är inte hälsofarliga.

Använd inte apparaten ut ur dörrar eller på något vått underlag eller för våtupptagning.

Plocka inte upp hårda eller vassa föremål, tändstickor, het aska, fimpar eller andra liknande föremål.

Plocka inte upp eller spraya med brandfarliga vätskor, rengöringsmedel, aerosoler eller ångor.

Kör inte över sladden när du använder apparaten eller dra ut kontakten genom att dra i sladden.

Fortsätt inte att använda apparaten om den verkar defekt.

**HOOVER service:** För att säkerställa en fortsatt säker och effektiv drift av denna apparat rekommenderar vi att service eller reparationer endast utförs av en auktoriserad servicetekniker från HOOVER.

Stå inte på sladden eller vira den runt armar eller ben när du använder apparaten.


Använd inte apparaten för att rengöra djur eller människor.

Placera inte apparaten ovanför dig när du rengör trappor.

#### Miljön

Symbolen på apparaten indikerar att denna produkt inte får behandlas som hushållsavfall. Den måste i stället lämnas in på uppsamlingsplats för återvinning av elektrisk och elektronisk utrustning. Avfallshanteringen ska utföras enligt de lokala miljöbestämmelserna. För mer information om hantering, återvinning och återanvändning av denna produkt, kontakta din kommun, lokala myndigheter och renhållningsverk eller den butik där du köpte apparaten.



 Denna apparat uppfyller de europeiska direktiven 2014/35/EU, 2014/30/EU och 2011/65/EU.

CANDY HOOVER GROUP S.r.l. Via Privata Eden Fumagalli, 20861 Brugherio (MB) Italy

## LÄRA KÄNNA DIN ÅNGRENGÖRARE

- |                              |                                 |
|------------------------------|---------------------------------|
| A. Tillbehörslucka           | M. Huvudmunstycke**             |
| B1. Slanghållare*            | N. Matt- och golvmunstycke*     |
| B2. Handtagshållare*         | O. Pedal batterifrigöring       |
| B3. Rörhållare*              | P. Batteripaket                 |
| C. Variabel Ström kontroll*  | P1. LED-lampor batteriindikator |
| D. Påslucka                  | P2. Statusknapp batteriladdning |
| E. Spärr till påslucka       | P3. Laddningsport               |
| F. På/av-pedal               | Q. Laddare                      |
| G. Påsindikator              | R. Påse                         |
| H. Spärr för tillbehörslucka | S. Utblåsningsfilter            |
| I. Sugreglerare              | T. Förmotorfilter               |
| J. Slang                     | U. Påshållare                   |
| K. Teleskoprör**             | V1. Verktyg för springor*       |
| Ka. Teleskopiskt rör lås*    | V2. Dammborste*                 |
| Kb. Teleskoprörsreglage**    | V3. Möbelmunstycke*             |
| L. Munstyckspärr*            | W. Parkettmunstycke*            |

## LÄRA KÄNNA DIN ÅNGRENGÖRARE

Ta ur alla delar ur förpackningen.

- Fäst slangen till ångrenarens huvuddel. För att ta loss slangen: tryck bara ned de två knapparna på slangänden och dra. [1]
- Anslut handtaget till övre änden av röret. [2]
- Anslut rörets nedre ände till det hårda golvmunstycket \*\* eller tillbehör vid behov. [3]
- Stoppa in batterisatsen genom att trycka in den i dammsugarens öppning och försäkra dig om att den sitter fast. Du kommer att höra ett klick när den är helt ansluten. [4] För att ta ut batterisatsen, tryck på batteriets frigöringspedal på dammsugaren och ta ut den.

## LADDA BATTERISATS OCH ANVÄND

Ladda batterisatsen i 5,5 timme innan den första användningen.

För att ladda batterisatsen, ta loss den från dammsugaren genom att trycka på batterisatsens frigöringspedal [5a] och stoppa in laddaren i laddningsporten placerad på batterisatsen. Du kan även ladda batterisatsen när den har stoppats in i dammsugaren. [5b]

När laddaren är ansluten kommer LED-lamporna på batteriets indikator att tändas allt eftersom batteriet laddas tills alla fyra punkter har tänts.

När den är fulladdad kommer LED-lamporna att förbli tända och slockna efter 5 minuter.

**VIKTIGT:** Dammsugarens on/off-pedal måste alltid vara i läge OFF under laddning.

### LED-LAMPOR BATTERIINDIKATOR:

- <15%, blinkar
- 15%~25%
- 26%~50%
- 51%~75%
- 76%~100%

**VIKTIGT:** Säkerställ alltid att batteriet har tillräcklig kapacitet innan användning.

Ladda din dammsugare om LED-lampan blinkar (återstående kapacitet ≤ 15%).

När dammsugaren används tänds LED-lampornas batteriindikator för att ange hur mycket laddning som återstår.

När batteriets laddningsnivå är cirka 20% kommer ett ljud att avges som består av 3 pip som signalerar att batteriet håller på att ta slut. Om det inte laddas upp stängs dammsugaren av efter några minuter.

När batterinivån är ≤ 15% kommer den första LED-lampan att blinka i 5 sekunder innan dammsugaren stängs av automatiskt.

När dammsugaren inte används kan du kontrollera batteriets laddningsnivå genom att trycka på batteriladdningens statusknapp (P2) LED-lampornas batteriindikator kommer att lysa i 5 sekunder.

### VIKTIGT:

- Använd endast laddaren som bifogades med din dammsugare.
- Laddningstemperatur: 0~45°C.
- När dammsugaren laddas stängs den av automatiskt.
- Det är normalt att laddaren blir varm när laddning pågår.
- Koppla ur laddaren vid långvarig frånvaro (semester, etc.).

**OBS!** För att optimera batteriets prestanda måste du regelbundet, eller åtminstone en gång per år, ladda upp batterisatsen helt.

## ANVÄNDA PRODUKTEN

- Justera den teleskopiska röret\*\* till önskad höjd genom att flytta reglaget. Höj eller sänk sedan röret till den mest bekväma rengöringspositionen. [6]
- Anslut teleskoprörets rörets nedre ände till huvudmunstycket\*\* eller tillbehör om så krävs. Om modellen är utrustad med ett matt- och golvmunstycke \*\*, tryck på pedalen till golvtypsväljaren\* på munstycket för att välja det perfekta rengöringsläget: [7]

**Hårt golv** – Borstarna sänks ned för att skydda golvet.

**Matta** – Borstarna dras upp för att ge djup rengöring.

**Matt & Golv Munstycke\*:**

- **Rengöring av hårda golv:** Tryck på munstyckets pedal för att välja hårdgolvslaget och justera reglaget på munstycket till ALLA GOLV. I det här läget sänks borstar, hjul och torkarblad för att skydda hårda golv. [8a]

- **Rengöring av standardmattor:** Tryck pedalen på munstycket till mattläget och justera reglaget på munstycket till ALLA GOLV. I det här läget lyfts alla borstar och torkarblad medan hjuler sänks för att tillåta en enkel förflyttning på en sådan yta. [8b]

- **Djup mattrengöring:** Tryck pedalen på munstycket till mattläget och justera reglaget på munstycket till DJUP MATTRENGÖRING. I det här läget lyfts borstar, hjul och torkarblad för en djupare rengöring av din matta. [8c]

**WARNING: Vi rekommenderar att pedalen inte ställs in på hårdgolvläget och reglaget på djup mattrengöring för att undvika eventuella repor på trägolv.**

3. Slå på dammsugaren genom att trycka på ON / OFF pedalen på produktens huvuddel.
4. Använd reglaget för effektstyrning för att öka eller minska effekt. [9]
5. Ställ in sugeffekten genom att skjuta effektreglaget till önskad nivå.
6. När du inte använder produkten, stänger du av den genom att trycka på On / Off pedalen.

**PARKERINGS OCH FÖRVARINGS AVSNITT**

1. Röret kan förvaras på baksidan eller på undersidan av dammsugaren för lagring eller tillfällig förvaring under användning. [10]
2. Slang, rör och munstycke kan vara i "Nano Pack™" förvaringsläge när de inte används\*: [11]
  - A. Fäll ihop teleskopröret till förvaringslängd.
  - B. Ta loss munstycket från teleskopröret.
  - C. Avlägsna slanghandtaget från teleskopröret.
  - D. Lyft slanghållaren baktill på dammsugaren och linda den flexibla slangen runt produkten.
  - E. Placera slangfästet på produkten genom handtagshållaren.
  - F. Sätt i munstycket i parkeringssskåran på dammsugarens undersida.
  - G. Sätt i teleskopröret i den lediga parkeringssskåran på dammsugarens undersida.

**UNDERHÅLL AV DAMMSUGAREN****Utbyte av dammpåse**

Om påsindikatorn är röd ska du kontrollera påsen och byta ut den vid behov.

1. Lyft på spärren för att öppna påsluckan. Stäng påsen för att undvika dammspridning genom att dra i tungan och ta bort påsen [12]. Den fulla dammpåsen skall kastas bort korrekt och försiktigt.
2. Vik en ny påse enligt anvisningarna på påsen, och sätt i den genom att föra in påskragen i påshållaren. [13]
3. Stäng påsluckan.

**KOM IHÅG:** Påsindikatorn kan också bli röd om det har skett en tilltäppning. I detta fall hänvisas du till "Ta bort en blockering från systemet".

**Rengöring av filter:**

För att behålla optimal prestanda hos din dammsugare ska motorfiltret och utblåsningsfiltret tvättas efter vart femte påsbyte.

**Rengöra förmotorfiltret**

1. För att öppna påsluckan, lyft på spärren som sitter på luckan.
2. För att ta ut förmotorfiltret, ta bort förmotorfiltrets ram från dammsugaren. [14]
3. Ta bort filtret från holdaren. [14]
4. Tvätta i ljummet vatten och låt det torka ordentligt innan det sätts tillbaka i dammsugaren. [16,17,18]

**Rengöra utblåsningsfiltret**

1. För att ta bort utblåsningsfiltret, öppna påsluckan och ta bort filtret. [15]
2. Tvätta filtret i ljummet vatten och låt det torka ordentligt innan du stoppar tillbaka det i dammsugaren. [16,17,19]

**KOM IHÅG:** Använd inte hett vatten eller rengöringsmedel. Om filtren mot förmodan skulle skadas ska de ersättas med en äkta Hoover-reservdel. Använd inte produkten utan dammpåse eller filter.

**Så rengör du den fasta tygdampåsen\* (endast vissa modeller)**

För att behålla optimal prestanda rekommenderar vi att du tvättar den fasta tygdampåsen i ljummet vatten efter var femte tömning. Ta bort överflödigt vatten och låt den torka innan du stoppar in den helt i dammsugaren igen.

**Ta bort en blockering från systemet**

Om påsindikatorn är röd:

1. Kontrollera om påsen är full. Gå i så fall till avsnittet "Utbyte av dammpåse".
2. Om påsen inte är full:
  - A. Behöver filtren rengöras? Gå i så fall till avsnittet "Rengöring av filter".
  - B. Kontrollera om det är något annat stopp i systemet. - Använd en stav eller en stake för att ta bort blockeringen från teleskopiskt rör eller slang.

**WARNING\*:** - Påssymbolen förblir röd om dammsugaren används när påsen är full, om det finns en blockering eller om filtren är smutsiga. Om den används under en 10 minuters period med påssymbolen lyser rött, kommer en elektronisk brytare stänga av dammsugaren för att förhindra risk för överhettning. Om detta skulle hända, stäng av dammsugaren, dra ut kontakten och åtgärda felet (se "Ta bort en blockering"). Avstängningen återställs automatiskt när dammsugaren sätts på igen.

**Byte av batterier**

Denna dammsugare är utrustad med ett laddningsbart litiumjonbatteripaket, som kan bytas ut.

**WARNING:** Använd endast godkända reservdelar för din dammsugare. Användning av delar som inte är godkända av Hoover är farligt och kan ogiltigförklara din garanti.

**WARNING:** Försök inte att öppna batteripaketet och reparera det själv.

1. Tryck på batteriets frigöringsknapp och batterienheten kommer att matas ut automatiskt.

2. Ta sakta bort batterienheten från dammsugaren.
3. Ta bort det gamla batteripaketet och byt ut det med det nya batteripaketet.
4. Kassera batterierna på ett säkert sätt. Användna batterier bör tas till en återvinningsstation och inte disponeras med hushållssoporna.

### Bortskaffande av batteri vid slutet av produktens livslängd

Om dammsugaren ska avyttras måste batterierna tas ut. Användna batterier bör tas till en återvinningsstation och inte disponeras med hushållssoporna.

**VIKTIGT:** Ladda alltid ur batterier helt innan de tas ut.

1. Kör ångrengöraren till det attbatterierna är helt tomma.
2. Tryck på batteriets frigöringsknapp och batterienheten kommer att matas ut automatiskt.
3. Ta sakta bort batterienheten från dammsugaren.
4. Ta bort batteriet från dammsugaren.

**OBS!** Om du stöter på svårigheter demontering av enheten och för mer utförlig information om hantering och återvinning av produkten kan du få från kommunen, återvinningsanläggningen eller den butik där du köpte produkten.

## TILLBEHÖR OCH MUNSTYCKEN

Fogmunstycke \*, möbelmunstycke \* och dammborsten \* förvaras ombord produkten under tillbehörsluckan. Och de kan monteras på handtaget eller på det teleskopiska rörets ände. [20]

- **Verktyg för springor\*** – För hörn och svåråtkomliga utrymmen. [V1]
- **Dammborste\*** – För bokhyllor, ramar, tangentbord och andra känsliga utrymmen. [V2]
- **Möbelmunstycke\*** – För mjuka möbler och tyger. [V3]
- **Parkettmunstycke\*** – För parkettgolv och andra känsliga golv. [W]

## CHECKLISTA FÖR ANVÄNDARE

Om du har ett problem med produkten, slutför denna enkla checklista för användare, innan du ringer ditt lokala HOOVER servicekontor.

- Har dammsugaren tillgång till fungerande strömförsörjning? Kontrollera om dammsugaren är laddad.
- Är dammpåsen överfylld? Se "Underhåll av dammsugaren".
- Är filtret igensatt? Se "Underhåll av dammsugaren".
- Är slangen eller munstycket igensatt? Se "Ta bort ett stopp i systemet".
- Startar inte dammsugaren? Kontrollera om batteriet är laddat.
- Kan inte batteriet laddas?
- Detta kan bero på mycket långa lagringsperioder (över ett år). Kontakta Hoovers kundtjänst för att ordna batteribyte. Se "Byt ut batteriet".

**OBS!** Spänningen på rätt laddare ligger från 19V till 22V och laddningsströmmen är 1A till 2A.

## VIKTIG INFORMATION

### HOOVER reservdelar och förbrukningsvaror

Byt alltid delar med äkta HOOVER reservdelar. Dessa finns tillgängliga från din lokala HOOVER återförsäljare eller direkt från Hoover. Uppge alltid modellnummer när du beställer delar.

- Batterienhet: BAT18VLI 39800040

### Kvalitet

HOOVERS fabriker har kvalitetsbedömts av oberoende organisationer. Våra produkter är tillverkade med hjälp av ett kvalitetssystem som uppfyller kraven i ISO 9001.

### Garanti

Garantivillkoren för produkten definieras av vår representant i det land där produkten säljs. Du kan få uppgifter om aktuella villkor från återförsäljaren. Kvittot måste visas upp när man kräver ersättning enligt garantin.

**VIKTIGT:** Batteriet i den här dammsugaren har en garanti på 2 år från inköpsdatumet. Efter 2 år måste kunden stå för kostnaden av ett nytt batteri.

Specifikationerna kan ändras utan föregående meddelande.

## OHJEET TURVALLISTA KÄYTTÖÄ VARTEN

Tämä laite on tarkoitettu ainoastaan kotikäyttöön tämän käyttöoppaan kuvaamalla tavalla. Tutustu tähän käyttöoppaaseen huolellisesti ennen laitteen käyttöä.

Älä jätä laitetta kytketyksi virtaan. Kytke laitteesta virta ja irrota virtajohto virtalähteestä aina käytön jälkeen ja ennen kuin puhdistat laitteen tai teet huoltotoimenpiteitä.

Tätä laitetta voivat käyttää yli 8-vuotiaat lapset ja henkilöt joilla on vähentynyt fyysinen, aistillinen tai henkinen kyky tai joilla ei kokemusta tai tietoja, mikäli heille on annettu ohjausta ja valvontaa koskien laitteen turvallista käyttöä ja ymmärtävät käyttöön liittyvät vaaratekijät. Lapset eivät saa leikkiä laitteella. Käyttäjän suorittamaa puhdistusta ja huoltoa ei tule suorittaa lasten toimesta ilman valvontaa.

Lopeta laitteen käyttö välittömästi, jos virtajohto on vahingoittunut. Turvallisuusriskin välttämiseksi valtuutetun Hoover-huoltoliikkeen tulee vaihtaa virtajohto.

Pidä kädet, jalat, löysät vaatteet ja hiukset loitolla pyörivistä harjoista.

Käytä vain laitteen mukana toimitettua laturia.

Varmista, että laturiin merkityt arvot vastaavat syöttöjännitettä.

Tämä Hoover-laite on varustettu kaksois-eristetyllä akkulaturilla joka sopii liitettäväksi vain 230V:n (Iso-Britannia 240V) pistorasiaan.

Kytke laturi sopivaan pistorasiaan ja yhdistä laturin jakkiliitinlaitteeseen.

Lataa akkupakettia ennen ensimmäistä käyttökertaa 5h 30min.

Lataa akkupaketti irrottamalla se laitteesta akkupaketin

vapautuspoljinta painamalla ja kytke laturi akkupaketissa olevaan latausliitântään.

Akkupaketin voi ladata myös sen ollessa kiinni laitteessa. [5]

Varmista, että laitteesta on sammutettu virta latauksen ajaksi.

Kun laturi kytketään, akkupaketin akun merkkivalot syttyvät peräkkäin akun latauksen aikana, kunnes kaikki neljä valoa ovat syttyneet.

Kun laite on täysin ladattu, kaikki neljä merkkivaloa jäävät palamaan, ja ne sammuvat 5 minuutin kuluttua.

Laita laite käytön jälkeen takaisin laturiin akun lataamiseksi.

Älä koskaan lataa akkuja yli 45 °C:n tai alle 0 °C:n lämpötiloissa.

Laturi lämpeneminen latauksen aikana on aivan normaalia. Kun laitetta ladataan, se sammuu automaattisesti.

Älä irrota laturia virtalähteestä johdosta vetämällä.

Irrota laturi mikäli laitetta ei käytetä pitkään aikaan (loma-ajat jne.). Lataa laite uudelleen ennen käyttöä koska akut voivat purkaa varausta pitkien säilytysjaksojen aikana.

Jos laite hävitetään, akut on ensin poistettava. Laitteen täytyy olla irti verkkovirrasta akkua vaihdettaessa. Hävitä akut turvallisesti. Käytä laitetta kunnes se pysähtyy, jotta akut tyhjentyvät kokonaan. Vie käytetyt akut kierrätyskeskukseen. Älä hävitä niitä kotitalousjätteen mukana. Irrottaaksesi akut ota yhteyttä valtuutettuun Hoover huoltoliikkeeseen tai noudata seuraavia ohjeita.

**TÄRKEÄÄ:** Tyhjennä paristot aina kokonaan ennen niiden poistamista.

Käytä imuria kunnes akut ovat täysin tyhjä.

Irrota laturin liitin laitteesta.

Irrota akkupakettipainamalla akkupaketin vapautuspainiketta.  
[5]

Vedä akkupaketti hitaasti pois paikaltaan. [5]

**HUOMAA:** Jos sinulla on vaikeuksia purkaa laitetta tai tarvitset yksityiskohtaisempaa tietoa laitteen jälkikäsitteystä, talteenotosta ja kierrätyksestä, ota yhteyttä paikallisiin kierrätysviranomaisiin tai kotitalouksien jätehuoltoon.

Älä vaihda akkuja ei-ladattaviin akkuihin.

Käytä ainoastaan Hooverin toimittamia tai suosittelemia kiinnityskappaleita, lisävarusteita tai varaosia.

**Staattinen sähkö:** Jotkin matot voivat aiheuttaa vähäisen määrän staattista sähköä. Staattisen sähkö purkaus ei ole vaarallista terveydelle.

Älä käytä laitettasi ulkona tai märällä alustalla. Älä imuroi nesteitä.

Älä imuroi kovia tai teräviä esineitä, tulitikkuja, kuumaa tuhkaa, tupakantumppeja tai muita vastaavia esineitä.

Älä ruiskuta laitteelle tai imuroi laitteella syttyviä nesteitä, puhdistusnesteitä, aerosoleja tai näiden höyryjä.

Älä aja laitteella verkkojohdon yli tai irrota pistoketta virtalähteestä johdosta vetämällä.

Älä käytä laitetta, jos se vaikuttaa vialliselta.

**HOOVER-huolto** Laitteen käyttöturvallisuuden ja tehokkaan toiminnan varmistamiseksi huolto ja korjaukset kannattaa antaa valtuutetun Hoover-huolto liikkeen tehtäväksi.

Älä seiso johdon päällä tai kierrä sitä käsien tai jalkojen ympärille laitetta käyttäessäsi.


Älä käytä laitetta ihmisten tai eläinten puhdistamiseen.

Älä aseta laitetta yläpuolellesi, kun imuroit portaita.

#### Ympäristö

Tässä laitteessa oleva symboli osoittaa, että laitetta ei saa hävittää kotitalousjätteenä. Se täytyy luovuttaa sähkö- ja elektroniikkalaitteiden keräyspisteeseen kierrätystä varten. Hävittäminen on suoritettava paikallisten jätteiden hävittämistä koskevien ympäristösäännösten mukaisesti. Saat lisätietoja tämän laitteen käsittelemisestä, hyötykäytöstä ja kierrätyksestä paikallisilta viranomaisilta, kotitalouksien ja muiden jätteiden jätehuollosta tai liikkeestä, josta ostit laitteen.



 Tämä laite on EU:n direktiivien 2014/35/EU, 2014/30/EU ja 2011/65/EU mukainen.

CANDY HOOVER GROUP S.r.l. Via Privata Eden Fumagalli, 20861 Brugherio (MB) Italy

## LAITTEeseen TUTUSTUMINEN

- |                                     |                              |
|-------------------------------------|------------------------------|
| A. Lisävarustelokeron kansi         | M. Pääsuulake**              |
| B1. Letkunpidike*                   | N. Matto- ja lattiasuutin*   |
| B2. Kädensijan pidike*              | O. Akun vapautuspoljin       |
| B3. Putken pidike*                  | P. Akkupaketti               |
| C. Portaaton Tehonsäätö*            | P1. Akun merkkivalot         |
| D. Pölypussilokeron kansi           | P2. Akun lataustilan painike |
| E. Pölypussilokeron kannen salpa    | P3. Latausliitäntä           |
| F. Virtapainike                     | Q. Laturi                    |
| G. Pölypussin täyttymisen ilmaisain | R. Pussi                     |
| H. Lisävarustelokeron kannen salpa  | S. Poistoilmansuodatin       |
| I. Imutehon säädin                  | T. Moottorin esisuodatin     |
| J. Letku                            | U. Pölypussin pidike         |
| K. Teleskooppiputki**               | V1. Rakosuulake*             |
| Ka. Teleskooppiputken salpa*        | V2. Pölyharja*               |
| Kb. Teleskooppiputken säädin**      | V3. Tekstiilisuulake*        |
| L. Suulakkeen salpa*                | W. Parkettisuulake*          |

## LAITTEeseen TUTUSTUMINEN

Pura kaikki osat pakkauksesta.

- Kiinnitä letku puhdistimen runkoon. Letkun irrottamiseksi: yksinkertaisesti paina kumpaakin letkun päässä olevaa painiketta ja vedä. [1]
- Liitä kädensija putken yläpäähän. [2]
- Liitä putken alapää lauta- tai laminaattilattiasuulakkeeseen\*\* tai tarvittaessa lisävarusteisiin. [3]
- Asenna akkupaketti painamalla se laitteessa olevaan loveen ja varmista, että se asettuu paikalleen; kuulet napsahduksen, kun se kiinnittyy oikein. [4] Irrota akkupaketti painamalla laitteessa olevaa akun vapautuspoljinta ja vedä se irti.

## AKKUPAKETIN LATAUS JA KÄYTTÖ

Lataa akkupakettia ennen ensimmäistä käyttökertaa 5h 30min.

Lataa akkupaketti irrottamalla se laitteesta akkupaketin vapautuspoljinta [5a] painamalla ja kytke laturi akkupaketissa olevaan latausliitäntään. Akkupaketin voi ladata myös sen ollessa kiinni laitteessa. [5b]

Kun laturi kytketään, akkupaketin akun merkkivalot syttyvät peräkkäin akun latauksen

aikana, kunnes kaikki neljä valoa ovat syttyneet.

Kun laite on täysin ladattu, kaikki neljä merkkivaloa jäävät palamaan, ja ne sammuvat 5 minuutin kuluttua.

**TÄRKEÄÄ:** Laitteen on/off-polkimen on latauksen aikana aina oltava OFF-asennossa.

### AKUN MERKKIVALOT

- <15%, vilkkuu
- 15%~25%
- 26%~50%
- 51%~75%
- 76%~100%

**TÄRKEÄÄ:** Varmista aina ennen käyttöä, että akun kapasiteetti on riittävä.

Lataa laite, jos yksi merkkivalo vilkkuu (jäljellä oleva kapasiteetti ≤ 15 %).

Kun laite on käytössä, akun merkkivalo syttyy ilmoittaen, paljonko latausta on jäljellä.

Kun akun varausta on jäljellä noin 20 %, kuuluu varoitusääni, joka on 3 piippausta; tämä kertoo, että akku on lähes tyhjä. Jos akkua ei ladata, laite sammuu automaattisesti muutaman minuutin kuluttua.

Kun akun lataustaso on ≤ 15%, ensimmäinen merkkivalo vilkkuu 5 sekunnin ajan ennen kuin laite sammuu automaattisesti.

Kun laite ei ole käytössä, akun lataustason voi tarkistaa painamalla akun lataustilan painiketta (P2). Akun merkkivalo syttyy 5 sekunnin ajaksi.

### TÄRKEÄÄ:

- Käytä vain laitteen mukana toimitettua laturia.
- Latauslämpötila: 0~45°C.
- Kun laitetta ladataan, se sammuu automaattisesti.
- On normaalia, että laturi lämpenee latauksen aikana.
- Irrota laturi mikäli laitetta ei käytetä pitkään aikaan (loma-ajat jne.).

**HUOMAA:** Akun suorituskyvyn optimoimiseksi akkupaketti tulee ladata säännöllisesti tai vähintään kerran vuodessa.

## LAITTEEN KÄYTTÖ

- Säädä teleskooppiputki sopivalle korkeudelle siirtämällä teleskooppivapautuspainike\*\* ylös ja siirtämällä kädensijaa ylös tai alas. [6]
- Liitä teleskooppiputken alapää pääsuulakkeeseen\*\* tai tarvittaessa lisävarusteisiin. Jos mallissa on matto- ja lattiasuulake\*\*, paina suulakkeessa olevaa lattiatyyppin valitsinpainiketta\* parhaan puhdistustavan valitsemiseksi: [7]

**Kova lattia:** – Harjakset ovat alhaalla lattian suojaamiseksi.

**Matto:** – Harjakset ovat ylhäällä parhaan imutehon saavuttamiseksi.

### Matto- ja lattiasuutin\*:

- **KovaN lattian puhdistus:** Paina suulakkeessa oleva poljin Kova lattia -tilaan ja

säädä suulakkeessa oleva liukukytkin tilaan KAIKKI LATTIAT. Tässä asennossa harjat, pyörät ja pyyhkijäsulka ovat alhaalla kovan lattian suojaamiseksi. [8a]

- **Tavallinen maton & pitkähupsullisen maton puhdistus:** Paina suulakkeessa oleva poljin matto-tilaan ja säädä suulakkeessa oleva liukukytkin asentoon KAIKKI LATTIAT. Tässä asennossa harjat ja pyyhkijäsulka on nostettu ylös, kun taas pyörät on laskettu niin, että liikkuminen tällaisilla pinnoilla on helppoa. [8b]

- **Mattojen syväpuhdistus:** Paina suulakkeessa oleva poljin matto-tilaan ja säädä suulakkeessa oleva liukukytkin asentoon MATTOJEN SYVÄPUHDISTUS. Tässä asennossa harjat, pyörät ja pyyhkijäsulka on nostettu ylös maton syvempää puhdistusta varten. [8c]

**VAROITUS: Puulattioiden mahdollisen naarmuuntumisen välttämiseksi poljinta ei tule asettaa kova lattia-tilaan, ja liukukytkimen tulee olla maton syväpuhdistuksen asennossa.**

3. Käynnistä imuri painamalla rungon käynnistys/sammutuspoljinta.
4. Liu'uta tehonsäätöä lisätäksesi tai vähentääksesi tehoa. [9]
5. Säädä imutehon säädin halutulle tasolle.
6. Sammuta käytön päätyttyä painamalla käynnistys/sammutuspoljinta.

## SÄILYTYS JA VARASTOINTI -OSIO

1. Putki voidaan asettaa väliaikaisesti imurin taakse tai pohjaan käytön aikaisen tai pidempikestoisen säilytyksen aikana. [10]
2. Letku, putki ja suutin voivat olla Nano Pack™ -säilytysasennossa, kun niitä ei käytetä\*: [11]
  - A. Paina teleskooppiputki varastointipituuteen.
  - B. Irrota suulake teleskooppiputken päästä.
  - C. Irrota letkun kahva teleskooppiputkesta.
  - D. Nosta letkun pidike imurin takaa ja kierrä letku tuotteen ympärille.
  - E. Kiinnitä letkun kädensija tuotteeseen kädensijan pidikkeen avulla.
  - F. Laita suulake tuotteen pohjassa olevaan kiinnitysuriaan.
  - G. Laita teleskooppiputki tuotteen pohjassa olevaan toiseen kiinnitysuriaan.

## LAITTEEN KUNNOSSAPITO

### Pölypussin vaihto

Jos pölypussin merkkivalon väri on punainen, tarkista pölypussi ja vaihda tarvittaessa.

1. Nosta pölypussilokeron kannen salpaa avataksesi pussilokeron kansi, sulje pussi estääksesi pölyn ulostulo vetämällä kielekkeestä ja irrota pussi [12]. Täysi pölypussi tulee toimittaa asianmukaisesti ja varovaisesti roskiin.
2. Taita uusi pussi siinä olevien ohjeiden mukaisesti asettamalla kaulus pussin pidikkeeseen. [13]
3. Sulje pölypussilokeron kansi.

**MUISTA:** Pölypussin merkkivalo saattaa olla punainen, kun laitteessa on tukos. Katso tässä tapauksessa lisätietoja kohdasta "Tukoksen poistaminen".

### Suodattimen puhdistaminen:

Jotta imurisi suorituskyky olisi paras mahdollinen, pese moottorin edessä oleva suodatin

ja poistoilmansuodatin joka 5. pussinvaihdon yhteydessä.

### Moottorin suodattimen puhdistaminen

1. Nosta pölypussilokeron kannen salpaa avataksesi lokeron kannen.
2. Poista moottorin suodatin irrottamalla moottorin suodattimen kehys imurista. [14]
3. Irrota suodatin pidikkeestä. [14]
4. Pese se kädenlämpöisellä vedellä ja anna sen kuivua läpikotaisin ennen imuriin takaisinkiinnittämistä. [16,17,18]

### Poistoilmansuodattimen puhdistaminen

1. Poista poistoilmansuodatin avaamalla pölypussilokeron kansi ja irrottamalla suodattimen. [15]
2. Pese suodatin haalealla vedellä ja anna sen kuivua läpikotaisin ennen sen kiinnittämistä takaisin laitteeseen. [16,17,19]

**MUISTA:** Älä käytä kuumaa vettä tai pesuaineita. Jos suodatin vaurioituu, mikä on epätodennäköistä, hanki tilalle aito Hoover-varaosa. Älä yritä käyttää imuria ilman pölypussia tai suodatinta.

### Kiinteän kangaspölypussin puhdistaminen\* (vain joissakin malleissa)

Jotta imuri toimisi parhaalla mahdollisella tavalla, suosittelemme kangaspölypussin pesemistä lämpimällä vedellä 5. täyttymiskerran jälkeen. Poista ylimääräinen vesi ja anna kuivua kokonaan ennen sen asentamista takaisin laitteeseen.

### Tukoksen poistaminen

Jos pussin merkkivalo on punainen:

1. Tarkista, onko pölypussi täynnä. Jos on, katso ohjeet kohdasta "Pölypussin vaihto".
2. Jos pölypussi ei ole täynnä, tarkista:
  - A. Ovatko suodattimet puhdistuksen tarpeessa? Jos on, katso ohjeet kohdasta "Suodattimen puhdistus".
  - B. Tarkasta, onko laitteessa muuta tukosta. - Poista tukos teleskooppiputkesta tai letkusta kepin tai sauvan avulla.

**VAROITUS\*:** - Pölypussin täyttymisen ilmaisimen väri pysyy punaisena, jos imuria käytetään kun pölypussi on täynnä, imurissa on tukos tai suodattimet ovat likaisia. Jos imuria käytetään yli kymmenen minuuttia pölypussin merkkivalon palaessa punaisena, automaattikatkaisin katkaisee virran imurista estääkseen tämän ylikuumentumisen. Jos näin tapahtuu, kytke imuri pois päältä, irrota pistorasiasta ja korjaa vika (ks. "Tukoksen poistaminen"). Turvakatkaisu nollautuu itsestään kytkettäessä imuri uudelleen päälle.

### Akun vaihto

Imurissa on ladattava litiumioniakkupaketti, jonka voi vaihtaa.

**VAROITUS:** Asenna imuriin vain hyväksytyjä varaosia. Varaosien, jotka eivät ole Hooverin hyväksymiä, käyttäminen on vaarallista ja mitätöi takuun.

**VAROITUS:** Älä yritä avata ja korjata akkupakettia itse.

1. Paina akun vapautuspainiketta, jolloin akkupaketti työntyy automaattisesti ulos.
2. Irrota akkupaketti hitaasti laitteesta.
3. Poista vanha akkupaketti ja laita tilalle uusi.
4. Hävitä akut turvallisesti. Vie käytetyt akut kierrätyskeskukseen. Älä hävitä niitä kotitalousjätteen mukana.

\*Vain joissakin malleissa

\*\*Voi vaihdella mallista riippuen



### Akkujen hävitys käyttöjakson päätteeksi

Mikäli imuri hävitetään, akut tulee poistaa. Vie käytetyt akut kierrätyskeskukseen. Älä hävitä niitä kotitalousjätteen mukana.

**TÄRKEÄÄ:** Tyhjennä paristot aina kokonaan ennen niiden poistamista.

1. Käytä imuria kunnes akut ovat täysin tyhjä.
2. Paina akun vapautuspainiketta, jolloin akkupaketti työntyy automaattisesti ulos.
3. Irrota akkupaketti hitaasti laitteesta.
4. Irrota akut laitteesta.

**Huomaa:** Jos sinulla on vaikeuksia purkaa laitetta tai tarvitset yksityiskohtaisempaa tietoa laitteen jälkikäsittelystä, talteenotosta ja kierrätyksestä, ota yhteyttä paikalliseen jätteen käsittelijään.

## LISÄVARUSTEET JA SUULAKKEET

Rakosuulake\*, huonekalusuulake\* ja pölyharja\* ovat säilöttyinä laitteessa lisävarusteidenlokeroon kannen alla. Ne voidaan liittää kädensijaan tai teleskooppiputken päähän. [20]

- **Rakosuulake\*** – Nurkkia ja vaikeapääsyisiä kohteita varten. [V1]
- **Pölyharja\*** – Kirjahyllyjä, kehyksiä, näppäimistöjä ja muita kevyttä imutehoa vaativia paikkoja varten. [V2]
- **Tekstiilisuulake\*** – Pehmeäpintaisille kalusteille ja kankaille. [V3]
- **Parkettisuulake\*** – Parketin ja muiden arkojen lattiapintojen imurointiin. [W]

## KÄYTTÄJÄN TARKISTUSLISTA

Jos sinulla on tuotteeseen liittyviä ongelmia, käy läpi tämä yksinkertainen käyttäjän tarkistuslista ennen kuin otat yhteyttä valtuutettuun Hoover-huoltoliikkeeseen.

- Toimiiko virtalähde? Tarkista imurin lataus.
- Onko pölypussi täytynyt äärimmilleen? Katso lisätietoja kohdasta "Laitteen huolto".
- Onko suodatin tukossa? Katso lisätietoja kohdasta "Laitteen huolto".
- Onko letku tai suulake tukossa? Katso lisätietoja kohdasta "Tukoksen poistaminen".
- Eikö laite käynnisty? Tarkista, että akku on ladattu.
- Eikö akkua voi ladata?
- Tämä voi johtua hyvin pitkästä varastointijaksosta. Ota yhteyttä valtuutettuun Hoover-huoltoliikkeeseen, mistä voit ostaa uudet akut. Katso "Akun vaihtaminen".

**HUOMAA:** Oikean laturin jännite on välillä 19 V ja 22 V ja latausvirta on välillä 1A ja 2A.

## TÄRKEÄÄ TIETOA

### HOOVER-varaosat ja -tarvikkeet

Käytä aina vain alkuperäisiä HOOVER-varaosia. Niitä on saatavana paikalliselta HOOVER-jälleenmyyjältä tai valtuutetusta huoltoliikkeestä. Mainitse varaosatilauksen yhteydessä laitteen tyyppinumero.

- Akkupaketti: BAT18VLI 39800040

### Laatu

HOOVERin tehtaat on arvioitu laadun suhteen riippumattoman tahon toimesta. Olemme käyttäneet tuotteidemme valmistuksessa laatujärjestelmää, joka täyttää ISO 9001 -vaatimukset.

### Takuu

Tämän laitteen takuuehdot määrittelee ostomaan Hoover-edustaja. Yksityiskohtaiset tiedot näistä ehdoista saa laitteen myyneeltä jälleenmyyjältä. Tämän takuun mukaisia vaateita esitettäessä on esitettävä myyntitodistus tai ostokuitti.

**TÄRKEÄÄ:** Tämän laitteen akulla on 2 vuoden takuu ostohetkestä alkaen. 2 vuoden jälkeen asiakkaan on maksettava uusi akku.

Oikeus muutoksiin pidätetään.

## ΟΔΗΓΙΕΣ ΑΣΦΑΛΟΥΣ ΧΡΗΣΗΣ

Η συσκευή πρέπει να χρησιμοποιείται αποκλειστικά για οικιακή χρήση, σύμφωνα με τις οδηγίες χρήσης. Πριν δοκιμάσετε να χρησιμοποιήσετε τη συσκευή, βεβαιωθείτε ότι έχετε κατανοήσει τις οδηγίες που περιέχει το βιβλίο που κρατάτε στα χέρια σας.

Μην αφήνετε τη συσκευή συνδεδεμένη στην πρίζα. Πριν τον καθαρισμό της συσκευής ή οποιασδήποτε εργασία συντήρησης, πρέπει να απενεργοποιείτε τη συσκευή και να την αποσυνδέετε από την πρίζα.

Η χρήση της συσκευής από παιδιά άνω των 8 ετών, ηλικιωμένους και ΑΜΕΑ προϋποθέτει την παρουσία ενήλικα που θα φέρει την ευθύνη για την ασφαλεία τους. Η χρήση της συσκευής από άτομα που δεν έχουν εξοικειωθεί στη χρήση παρόμοιων συσκευών μπορεί να γίνει μόνο αφού γίνει κατανοητός ο κίνδυνος που ενέχει η χρήση της συσκευής. Μην αφήνετε τα παιδιά να παίζουν με τη συσκευή. Οι εργασίες καθαρισμού και συντήρησης της συσκευής δεν πρέπει να γίνονται από τα παιδιά χωρίς την επίβλεψη ενήλικα που θα φέρει την ευθύνη για την ασφαλεία τους.

Εάν το καλώδιο σύνδεσης με το δίκτυο παροχής εμφανίσει φθορές διακόψτε την λειτουργία της συσκευής αμέσως. Για λόγους ασφαλείας η αντικατάσταση του καλωδίου πρέπει να γίνει αποκλειστικά από εξουσιοδοτημένο προς τούτο τεχνικό HOOVER.

Μην πλησιάζετε τις περιστρεφόμενες βούρτσες με τα χέρια, τα πόδια, τα μαλιά ή τα ρούχα σας.

Χρησιμοποιείτε μόνο τον αυθεντικό φορτιστή που παρέχεται με τη συσκευή.

Ελέγξτε ότι η τάση τροφοδοσίας είναι η ίδια με αυτή που αναγράφεται στο φορτιστή.

Η συσκευή Hoover διατίθεται με φορτιστή μπαταρίας με διπλή μόνωση, ο οποίος είναι κατάλληλος μόνον για πρίζες με τάση

230 V (240 V - Ηνωμένο Βασίλειο).

Βάλτε τον φορτιστή σε κατάλληλη πρίζα και συνδέστε το βύσμα του φορτιστή στην συσκευή.

Για την πρώτη χρήση, φορτίστε την μπαταρία για 5,5 ώρες

Για να φορτίσετε την μπαταρία, βγάλτε την από τη σκούπα πατώντας το πεντάλ απελευθέρωσης μπαταρίας και συνδέστε τον φορτιστή στη θύρα φόρτισης που βρίσκεται στην μπαταρία.

Μπορείτε να φορτίσετε την μπαταρία ακόμη και όταν είναι συνδεδεμένη στη σκούπα. **[5]**

Βεβαιωθείτε ότι η σκούπα είναι απενεργοποιημένη κατά τη φόρτιση.

Όταν ο φορτιστής έχει συνδεθεί, τα LED ένδειξης επάνω στην μπαταρία ανάβουν εναλλάξ καθώς η μπαταρία φορτίζει, μέχρι και τα τέσσερα να μείνουν αναμμένα.

Μετά την πλήρη φόρτιση, τα τέσσερα LED θα μείνουν αναμμένα και θα σβήσουν μετά από 5 λεπτά.

Μετά τη χρήση, βάλτε τη συσκευή στον φορτιστή για την επαναφόρτιση της μπαταρίας.

Μη φορτίζετε ποτέ τις μπαταρίες σε θερμοκρασία μεγαλύτερη από 45°C ή μικρότερη από 0°C.

Κατά την διάρκεια της φόρτισης ο φορτιστής θερμαίνεται. Κατά τη φόρτιση η σκούπα θα απενεργοποιηθεί αυτόματα.

Μην αποσυνδέετε τον φορτιστή τραβώντας το καλώδιο.

Σε περίπτωση μακράς απουσίας (διακοπές, κλπ) αποσυνδέστε τον φορτιστή από την παροχή. Σε μακρές περιόδους αποθήκευσης της συσκευής, επαναφορτίστε την συσκευή πριν την χρησιμοποιήσετε, καθώς οι μπαταρίες μπορεί να έχουν αδειάσει.

Εάν η συσκευή πρόκειται να απορριφθεί, πρώτα πρέπει να

αφαιρεθούν οι μπαταρίες. Η συσκευή πρέπει να αποσυνδεθεί από το ηλεκτρικό δίκτυο κατά την αφαίρεση των μπαταριών. Απορρίψτε τις μπαταρίες με ασφαλή τρόπο. Αφήστε τη συσκευή να λειτουργεί μέχρι να σταματήσει λόγω πλήρους εκφόρτισης των μπαταριών. Οι χρησιμοποιημένες μπαταρίες πρέπει να προσκομίζονται σε ένα σταθμό ανακύκλωσης και δεν πρέπει να απορρίπτονται με τα οικιακά απορρίμματα. Για να αφαιρέσετε τις μπαταρίες, επικοινωνήστε με το κέντρο εξυπηρέτησης πελατών της Hoover ή ακολουθήστε τις παρακάτω οδηγίες.

**ΕΠΙΣΗΜΑΝΣΗ :** Αδειάστε πλήρως τις μπαταρίες πριν τις αφαιρέσετε.

Λειτουργείστε τη σκούπα μέχρι να αδειάσουν πλήρως οι μπαταρίες.

Βγάλτε το βύσμα του φορτιστή από τη συσκευή.

Πατήστε το κουμπί απελευθέρωσης μπαταρίας για να βγάλετε την μπαταρία. [5]

Τραβήξτε τη συστοιχία μπαταριών αργά από την υποδοχή. [5]

**ΣΗΜΕΙΩΣΗ:** Εάν συναντήσετε δυσκολίες κατά την αποσυναρμολόγηση της μονάδας ή για περισσότερες πληροφορίες σχετικά με την επεξεργασία, την ανάκτηση ή την ανακύκλωση αυτής της συσκευής, επικοινωνήστε με την αρμόδια δημοτική αρχή ή την υπηρεσία απόρριψης οικιακών απορριμμάτων της περιοχής σας.

Μην αντικαθιστάτε τις μπαταρίες με μη επαναφορτιζόμενες μπαταρίες.

Χρησιμοποιείτε αποκλειστικά γνήσια εξαρτήματα ,ανταλλακτικά και αναλώσιμα HOOVER.

**Στατικός ηλεκτρισμός:** Ορισμένα χαλιά μπορεί να προκαλέσουν συσσώρευση στατικού ηλεκτρισμού. Τυχόν στατικές εκκενώσεις δεν είναι επικίνδυνες για την υγεία.

Μην χρησιμοποιείτε τη συσκευή σας σε εξωτερικούς χώρους ,

σε υγρή επιφάνεια ή για τη συλλογή υγρών.

Μην συλλέγετε με τη συσκευή σκληρά ή αιχμηρά αντικείμενα, καυτή στάχτη, αποτσίγαρο ή άλλα παρόμοια αντικείμενα.

Μην ψεκάζετε ή συλλέγετε εύφλεκτα υγρά, υγρά καθαρισμού, αερολύματα ή τους ατμούς τους.

Ενώσω χρησιμοποιείτε τη συσκευή δεν πρέπει να πατάτε επάνω στο καλώδιο ,μην τραβάτε το καλώδιο για να αποσυνδέσετε τη συσκευή από την παροχή.

Εάν η συσκευή εμφανίσει κάποια βλάβη μην συνεχίσετε να την χρησιμοποιείτε.

**Τεχνική Υποστήριξη Hoover :** Για την διατήρηση της ασφαλούς και αποτελεσματικής λειτουργίας της συσκευής οι επεμβάσεις συντήρησης και αποκατάστασης βλαβών πρέπει να γίνονται αποκλειστικά μέσω των εξουσιοδοτημένων τεχνικών HOOVER..


Μην στέκεστε πάνω στο καλώδιο και μην το περιτυλίγετε γύρω από τα χέρια ή τα πόδια σας ενώσω η συσκευή βρίσκεται σε λειτουργία.

Μην χρησιμοποιείτε τη συσκευή για να καθαρίζετε ζώα ή άτομα.

Μην τοποθετείτε πάνω σας τη συσκευή όταν καθαρίζετε τις σκάλες.

#### Περιβάλλον

Το σύμβολο πάνω σε αυτή τη συσκευή υποδεικνύει ότι αυτή η συσκευή δεν μπορεί να αντιμετωπιστεί σαν κοινό οικιακό απόρριμα. Αντίθετα, πρέπει να παραδοθεί στο πλησιέστερο κέντρο συλλογής για την ανακύκλωση ηλεκτρικού και ηλεκτρονικού εξοπλισμού. Η απόρριψη της συσκευής πρέπει να γίνει σύμφωνα με την ισχύουσα κατά τόπο νομοθεσία για την απόρριψη ηλεκτρονικών και ηλεκτρικών αποβλήτων. Για πιο λεπτομερείς πληροφορίες σχετικά με την επεξεργασία, την ανάκτηση και την ανακλκωση αυτής της συσκευής, επικοινωνήστε με την κατά τόπους αρμόδια αρχή , την υπηρεσία αποκομιδής οικιακών απορριμμάτων ή το κατάστημα από το οποίο αγοράσατε τη συσκευή.

 Αυτή η συσκευή συμμορφώνεται με τις Ευρωπαϊκές Οδηγίες 2014/35/EE, 2014/30/EE και 2011/65/EE.

CANDY HOOVER GROUP S.r.l. Via Privata Eden Fumagalli, 20861 Brugherio (MB) Italy

## ΕΞΟΙΚΕΙΩΣΗ ΜΕ ΤΗ ΣΚΟΥΠΑ

- |                                               |                                          |
|-----------------------------------------------|------------------------------------------|
| A. Πόρτα αξεσουάρ                             | M. Κύριο ακροφύσιο**                     |
| B1. Στήριγμα εύκαμπτου σωλήνα*                | N. Πέλμα χαλιών και δαπέδων*             |
| B2. Στήριγμα χειρολαβής*                      | O. Πεντάλ απελευθέρωσης μπαταρίας        |
| B3. Στήριγμα σωλήνα*                          | P. Συστοιχία μπαταριών                   |
| C. Χειριστήριο ρύθμισης ισχύος*               | P1. Φωτεινές ενδείξεις LED μπαταρίας     |
| D. Κάλυμμα της σακούλας                       | P2. Κουμπί κατάστασης φόρτισης μπαταρίας |
| E. Κλείστρο πόρτας σακούλας                   | P3. Θύρα φόρτισης                        |
| F. Πεντάλ (On/Off)                            | Q. Φορτιστής                             |
| G. Λυχνία ελέγχου σακούλας                    | R. Σακούλα                               |
| H. Μάνδαλο πόρτας αξεσουάρ                    | S. Φίλτρο απαγωγής                       |
| I. Ρυθμιστής αναρρόφησης                      | T. Φίλτρο πριν το μοτέρ                  |
| J. Εύκαμπτος σωλήνας                          | U. Βάση στερέωσης σακούλας               |
| K. Τηλεσκοπικός σωλήνας**                     | V1. Ρύγχος καθαρισμού*                   |
| Ka. Ασφάλεια τηλεσκοπικού σωλήνα*             | V2. Βούρτσα ξεσκονίσματος*               |
| Kb. Μηχανισμός ρύθμισης τηλεσκοπικού σωλήνα** | V3. Εξάρτημα καθαρισμού επίπλων*         |
| L. Ασφάλεια ακροφυσίου*                       | W. Πέλμα παρκέ*                          |

## ΕΞΟΙΚΕΙΩΣΗ ΜΕ ΤΗ ΣΚΟΥΠΑ

Αφαιρέστε όλα τα εξαρτήματα από τη συσκευασία.

1. Συνδέστε τον εύκαμπο σωλήνα στον κορμό του καθαριστή. Για να ελευθερώσετε τον εύκαμπο σωλήνα: πιέστε απλώς τα δύο μάνταλα που υπάρχουν στο άκρο του εύκαμπτου σωλήνα και τραβήξτε. **[1]**
2. Συνδέστε τη λαβή στο άνω άκρο του σωλήνα. **[2]**
3. Συνδέστε το κάτω άκρο του σωλήνα στο ακροφύσιο δαπέδου\*\* ή των αξεσουάρ αν χρειάζεται. **[3]**
4. Βάλτε την μπαταρία ωθώντας την μέσα στη σχισμή της σκούπας διασφαλίζοντας ότι στερεώθηκε στη θέση της, θα ακουστεί ένα κλικ όταν συνδεθεί. **[4]** Για να αφαιρέσετε τη συστοιχία μπαταριών, πατήστε το πεντάλ απελευθέρωσης μπαταρίας στη σκούπα και βγάλτε την.

## ΦΟΡΤΙΣΗ ΤΗΣ ΜΠΑΤΑΡΙΑΣ ΚΑΙ ΧΡΗΣΗ

Για την πρώτη χρήση, φορτίστε την μπαταρία για 5,5 ώρες

Για να φορτίσετε τη συστοιχία μπαταριών, αποσπάστε την από τη σκούπα πατώντας το πεντάλ απελευθέρωσης της συστοιχίας μπαταριών **[5a]** και συνδέστε τον φορτιστή στη θύρα φόρτισης που βρίσκεται στη συστοιχία μπαταριών. Μπορείτε να φορτίσετε την μπαταρία ακόμη και όταν είναι συνδεδεμένη στη σκούπα. **[5b]**

Όταν ο φορτιστής έχει συνδεθεί, τα LED ένδειξης επάνω στην μπαταρία ανάβουν εναλλάξ καθώς η μπαταρία φορτίζει, μέχρι και τα τέσσερα να μείνουν αναμμένα.

Μετά την πλήρη φόρτιση, τα τέσσερα LED θα μείνουν αναμμένα και θα σβήσουν μετά από 5 λεπτά.  
**ΕΠΙΣΗΜΑΝΣΗ :** Το πεντάλ on/off της σκούπας πρέπει να είναι πάντα στη θέση OFF κατά την φόρτιση.

### ΦΩΤΕΙΝΕΣ ΕΝΔΕΙΞΕΙΣ LED ΜΠΑΤΑΡΙΑΣ

- <15%, αναβοσβήνει
- 15%~25%
- 26%~50%
- 51%~75%
- 76%~100%

**ΕΠΙΣΗΜΑΝΣΗ :** Να βεβαιώνεστε πάντα ότι η μπαταρία έχει επαρκή φόρτιση πριν από τη χρήση.

Φορτίστε την σκούπα σας αν ένα LED αναβοσβήνει (υπόλοιπη φόρτιση  $\leq 15\%$ ).

Όταν η σκούπα χρησιμοποιείται η φωτεινή ένδειξη LED μπαταρίας ανάβει υποδεικνύοντας πόση φόρτιση απομένει.

Όταν η στάθμη φόρτισης της μπαταρίας είναι γύρω στο 20%, ένας ηχητικός συναγερμός, αποτελούμενος από 3 μπιπ, θα επισημάνει ότι η μπαταρία κοντεύει να τελειώσει. Αν δεν φορτιστεί, μετά από λίγα λεπτά η σκούπα θα απενεργοποιηθεί αυτόματα.

Όταν το επίπεδο φόρτισης της μπαταρίας είναι  $\leq 15\%$ , η πρώτη λυχνία LED θα αναβοσβήσει για 5 δευτερόλεπτα πριν η σκούπα σβήσει αυτόματα.

Όταν η σκούπα δεν χρησιμοποιείται, η στάθμη της μπαταρίας μπορεί να ελεγχθεί πατώντας το κουμπί κατάστασης φόρτισης της μπαταρίας **(P2)**. Η φωτεινή ένδειξη LED της μπαταρίας θα μείνει αναμμένη για 5 δευτερόλεπτα.

### ΕΠΙΣΗΜΑΝΣΗ :

1. Χρησιμοποιείτε μόνο τον φορτιστή που παρέχεται με τη σκούπα σας.
2. Θερμοκρασία φόρτισης: 0~45°C.
3. Κατά τη φόρτιση η σκούπα θα απενεργοποιηθεί αυτόματα.
4. Κατά τη φόρτιση, ο φορτιστής θερμαίνεται.
5. Σε περίπτωση μακράς απουσίας (διακοπές, κλπ) αποσυνδέστε τον φορτιστή από την παροχή.

**ΣΗΜΕΙΩΣΗ:** Για βελτιστοποίηση της απόδοσης της μπαταρίας θα πρέπει να την φορτίζετε τακτικά ή τουλάχιστον μια φορά ανά έτος.

## ΟΔΗΓΙΕΣ ΧΡΗΣΕΩΣ

1. Με την βοήθεια του μηχανισμού ρύθμισης ρυθμίστε το μήκος του τηλεσκοπικού σωλήνα σύμφωνα\*\* με τις ανάγκες σας για άνετη χρήση. **[6]**
2. Συνδέστε το κάτω άκρο του τηλεσκοπικού σωλήνα στο κύριο ακροφύσιο\*\* ή των αξεσουάρ αν χρειάζεται. Στην περίπτωση που το μοντέλο είναι εφοδιασμένο με ακροφύσιο χαλιών και δαπέδου\*\*, πατήστε τον επιλογέα\* τύπου πατώματος στο ακροφύσιο για να επιλέξετε την ιδανική λειτουργία καθαρισμού: **[7]**

**Σκληρά δάπεδα** – Οι βούρτσες χαμηλώνουν στο ανάλογο επίπεδο για να μην φθείρουν το δάπεδο .

**Χαλί** – Οι βούρτσες βγαίνουν προς τα έξω για καθαρισμό σε βάθος.

\*Μόνο ορισμένα μοντέλα \*\*Ενδέχεται να διαφέρει ανάλογα με το μοντέλο

**Πέλα Δαπέδων & Χαλιών\*:**

- **Καθαρισμός σκληρών δαπέδων:** Πατήστε το πεντάλ\* στο ακροφύσιο στη λειτουργία σκληρών δαπέδων και ρυθμίστε το ακροφύσιο στην επιλογή ΟΛΑ ΤΑ ΔΑΠΕΔΑ. Σε αυτή τη θέση οι βούρτσες, οι τροχοί και η λεπίδα καθαρισμού κατεβαίνουν για την προστασία των σκληρών δαπέδων. [8a]

- **Κανονικός καθαρισμός χαλιών & μοκετών:** Πατήστε το πεντάλ\* στο ακροφύσιο στη λειτουργία χαλιών και ρυθμίστε το ακροφύσιο στην επιλογή ΟΛΑ ΤΑ ΔΑΠΕΔΑ. Σε αυτή τη θέση οι βούρτσες, οι τροχοί και η λεπίδα καθαρισμού κατεβαίνουν για ευκολία κίνησης σε αυτές τις επιφάνειες. [8b]

- **Βαθύς καθαρισμός χαλιών:** Πατήστε το πεντάλ στο ακροφύσιο στη λειτουργία χαλιών και ρυθμίστε το ακροφύσιο στην επιλογή ΒΑΘΥΣ ΚΑΘΑΡΙΣΜΟΣ ΧΑΛΙΩΝ. Σε αυτή τη θέση οι βούρτσες, οι τροχοί και η λεπίδα καθαρισμού ανεβαίνουν για βαθύτερο καθαρισμό του χαλιού σας. [8c]

**ΠΡΟΣΟΧΗ : Συνιστάται για να αποφύγετε πιθανότητα γδαρσίματος των ξύλινων δαπέδων το πεντάλ να μην έχει ρυθμιστεί στη λειτουργία σκληρού δαπέδου και το πέλα στον βαθύ καθαρισμό χαλιών.**

3. Ενεργοποιήστε τη σκούπα πατώντας το πεντάλ on/off στον κορμό της σκούπας.
4. Σύρετε το χειριστήριο ρύθμισης ισχύος για να αυξήσετε ή να μειώσετε ανάλογα την ισχύ λειτουργίας. [9]
5. Ρυθμίστε την ισχύ αναρρόφησης ανάλογα με τις ανάγκες σας.
6. Πατείστε το πεντάλ on/off για να απενεργοποιήσετε τη συσκευή μετά το πέρας του καθαρισμού .

**ΑΠΟΘΕΣΗ ΚΑΙ ΑΠΟΘΗΚΕΥΣΗ ΣΥΣΚΕΥΗΣ**

1. Ο σωλήνας μπορεί να στερεωθεί στο πίσω μέρος ή στο κάτω μέρος της σκούπας για αποθήκευση ή προσωρινά κατά τη διάρκεια της λειτουργίας της συσκευής. [10]
2. Ο εύκαμπτος σωλήνας, ο σωλήνας και το ακροφύσιο μπορούν να βρίσκονται στη θέση αποθήκευσης "Nano Pack™" όταν δεν χρησιμοποιούνται\*: [11]
  - A. Συμπύξτε τον τηλεσκοπικό σωλήνα στο μήκος αποθήκευσής του.
  - B. Αφαιρέστε το ακροφύσιο από την άκρη του τηλεσκοπικού σωλήνα.
  - C. Αφαιρέστε τη λαβή του σωλήνα από τον τηλεσκοπικό σωλήνα.
  - D. Σηκώστε το στήριγμα στην πίσω πλευρά της σκούπας και τυλίξτε τον εύκαμπτο σωλήνα γύρω από το προϊόν.
  - E. Αποθέστε τη λαβή του εύκαμπτου σωλήνα πάνω στο προϊόν μέσω του στηρίγματος λαβής.
  - F. Τοποθετήστε το ακροφύσιο στην εγκοπή κάτω από τη συσκευή.
  - G. Συναρμολογήστε τον τηλεσκοπικό σωλήνα στην άλλη εγκοπή κάτω από τη συσκευή.

**ΣΥΝΤΗΡΙΣΗ ΚΑΙ ΚΑΘΑΡΙΣΜΟΣ****Αντικατάσταση της σακούλας σκόνης**

Όταν η φωτεινή ένδειξη ελέγχου της σακούλας είναι κόκκινη πρέπει να ελέγξετε εάν η σακούλα έχει γεμίσει και, εάν χρειάζεται, να την αντικαταστήσετε .

1. Για να ανοίξετε τη θύρα της σακούλας, ανασηκώστε το μάνταλο αποδέσμευσης της θύρας

της σακούλας, κλείστε τη σακούλα τραβώντας τη λωρίδα που προεξέχει προκειμένου να αποτρέψετε τη διαφυγή της σκόνης και αφαιρέστε τη σακούλα [12]. Πετάξτε την γεμάτη σακούλα στα σκουπίδια με προσοχή.

2. Ακολουθήστε τις οδηγίες επάνω στη σακούλα και τοποθετήστε την νέα σακούλα στη θέση της, τοποθετώντας το κολάρο στην υποδοχή της σακούλας. [13]
3. Κλείστε το πορτάκι που καλύπτει τη σακούλα.

**ΥΠΕΝΘΥΜΙΣΗ:** Εάν η συσκευή έχει μπουκώσει η κόκκινη ένδειξη ελέγχου θα ανάψει Σε αυτή την περίπτωση βλέπε παράγραφο στο 'Αφαίρεση αντικειμένου που φράζει το σύστημα'.

**Καθαρισμός του φίλτρου:**

Για να διατηρήσετε τη βέλτιστη απόδοση της σκούπας, παρακαλούμε να πλένετε το φίλτρο πριν το μοτέρ και το φίλτρο εξόδου μετά από κάθε 5 αλλαγές σακούλας.

**Καθαρισμός του φίλτρου πριν το μοτέρ:**

1. Σηκώστε το μάνδαλο για να ανοίξετε το πορτάκι της σακούλας.
2. Ολισθήστε το πλαίσιο φίλτρου πριν το μοτέρ για να το βγάλετε έξω από τη σκούπα. [14]
3. Αφαιρέστε το φίλτρο από τη βάση στήριξης [14]
4. Πλύνετε το με χλιαρό νερό και αφήστε το να στεγνώσει καλά πριν το τοποθετήσετε και πάλι στη σκούπα. [16,17,18]

**Καθαρισμός του φίλτρου εξόδου:**

1. Για να αφαιρέσετε το φίλτρο εξόδου, ανοίξτε την πόρτα της σακούλας και αφαιρέστε το φίλτρο. [15]
2. Πλύνετε το φίλτρο με χλιαρό νερό και αφήστε το να στεγνώσει καλά πριν το τοποθετήσετε και πάλι στη σκούπα. [16,17,19]

**ΥΠΕΝΘΥΜΙΣΗ:** Μη χρησιμοποιείτε καυτό νερό ή απορρυπαντικό. Στη σπάνια περίπτωση που θα προκληθεί ζημιά στα φίλτρα, αντικαταστήστε τα με ένα γνήσιο φίλτρο Hoover. Μη δοκιμάσετε να χρησιμοποιείτε το προϊόν χωρίς τη σακούλα σκόνης ή το φίλτρο.

**Καθαρισμός της μόνιμης υφασμάτινης σακούλας σκόνης\* (μόνο σε συγκεκριμένα μοντέλα)**

Για βέλτιστη απόδοση συνιστούμε να πλένετε την υφασμάτινη σακούλα σκόνης με χλιαρό νερό μετά από 5 αδειάσματα. Απομακρύνετε την περίσσεια νερού και αφήστε το να στεγνώσει εντελώς πριν το βάλετε και πάλι στη σκούπα.

**Απομάκρυνση αντικειμένου που φράζει το σύστημα**

Εάν η ένδειξη ελέγχου σακούλας είναι κόκκινη:

1. Ελέγξτε εάν η σακούλα είναι γεμάτη. Εάν ναι, ανατρέξτε στην ενότητα «Αντικατάσταση της σακούλας σκόνης».
2. Εάν δεν είναι γεμάτη, τότε
  - A. Μήπως χρειάζονται καθαρίσματα φίλτρα; Εάν ναι, ανατρέξτε στην ενότητα «Καθαρισμός φίλτρου».
  - B. Ελέγξτε εάν έχει φράξει κάπου αλλού το σύστημα - Χρησιμοποιήστε μια ράβδο ή ένα κοντάρι για να αφαιρέσετε οποιοδήποτε αντικείμενο φράσσει τον τηλεσκοπικό σωλήνα ή τον εύκαμπτο σωλήνα.

**ΕΠΙΣΗΜΑΝΣΗ\*:** - Η ένδειξη ελέγχου σακούλας θα παραμείνει κόκκινη εάν η σκούπα χρησιμοποιηθεί όταν η σακούλα είναι γεμάτη, εάν υπάρχει αντικείμενο που φράσσει το σύστημα ή εάν τα φίλτρα είναι λερωμένα. Εάν η σκούπα χρησιμοποιηθεί για χρονικό διάστημα

πάνω από δέκα λεπτά με την ένδειξη ελέγχου σακούλας αναμμένη, ένα ηλεκτρονικό σύστημα διακοπής θα απενεργοποιήσει τη σκούπα για να αποφευχθεί κάθε κίνδυνος υπερθέρμανσης. Εάν συμβεί κάτι τέτοιο, θέσατε τη σκούπα εκτός λειτουργίας, αποσυνδέστε την από την πρίζα και αποκαταστήστε το πρόβλημα (δείτε το 'Αφαίρεση εμπλοκής'). Μόλις η σκούπα σε λειτουργία, ο μηχανισμός ασφάλειας θα αποκατασταθεί.

### Αντικατάσταση των μπαταριών

Αυτή η σκούπα είναι εφοδιασμένη με επαναφορτιζόμενη συστοιχία μπαταριών ιόντων λιθίου που μπορεί να αντικατασταθεί.

**ΠΡΟΣΟΧΗ :** Χρησιμοποιείτε μόνο εγκεκριμένα ανταλλακτικά για τη σκούπα σας. Η χρήση μη γνήσιων αμταλλακτικών Hoover είναι επικίνδυνη και θα ακυρώσει την εγγύησή της συσκευής.

**ΠΡΟΣΟΧΗ :** Μην ανοίξετε τη συστοιχία μπαταριών για να την επισκευάσετε μόνοι σας.

1. Πατήστε το κουμπί απελευθέρωσης της μπαταρίας και η συστοιχία μπαταριών θα βγει αυτόματα.
2. Βγάλτε τη μπαταρία αργά από τη σκούπα.
3. Αφαιρέστε την παλιά συστοιχία μπαταριών και αντικαταστήστε την με καινούρια.
4. Απορρίψτε τις μπαταρίες με ασφαλή τρόπο. Οι χρησιμοποιημένες μπαταρίες πρέπει να προσκομίζονται σε ένα σταθμό ανακύκλωσης και δεν πρέπει να απορρίπτονται με τα οικιακά απορρίμματα.

### Τέλος του κύκλου ζωής του προϊόντος – Απόρριψη των μπαταριών

Πριν αποσύρετε τη συσκευή πρέπει να αφαιρέσετε τις μπαταρίες. Οι χρησιμοποιημένες μπαταρίες πρέπει να προσκομίζονται σε ένα σταθμό ανακύκλωσης και δεν πρέπει να απορρίπτονται με τα οικιακά απορρίμματα.

**ΕΠΙΣΗΜΑΝΣΗ :** Αδειάστε πλήρως τις μπαταρίες πριν τις αφαιρέσετε.

1. Λειτουργείστε τη σκούπα μέχρι να αδειάσουν πλήρως οι μπαταρίες.
2. Πατήστε το κουμπί απελευθέρωσης της μπαταρίας και η συστοιχία μπαταριών θα βγει αυτόματα.
3. Βγάλτε τη μπαταρία αργά από τη σκούπα.
4. Βγάλτε τις μπαταρίες από τη σκούπα.

**Σημείωση:** Εάν κατά την αποσυναρμολόγηση της μονάδας αντιμετωπίσετε δυσκολία ή για πληροφορίες σχετικά με την διαδικασία, απόσυρσης και ανακύκλωσης του προϊόντος αυτού, παρακαλούμε επικοινωνήστε με το γραφείο ανακύκλωσης ή την υπηρεσία απόρριψης οικιακών αποβλήτων.

## ΕΞΑΡΤΗΜΑΤΑ ΚΑΙ ΑΚΡΟΦΥΣΙΑ

Το εργαλείο σχισμών\*, το ακροφύσιο επίπλων\* και η βούρτσα ξεσκονίσματος\* είναι αποθηκευμένα πάνω στη σκούπα κάτω από το καπάκι εξαρτημάτων. Και μπορούν να τοποθετηθούν στη λαβή ή στο άκρο του τηλεσκοπικού σωλήνα. [20]

- **Ρύγχος καθαρισμού\*** – Για γωνίες και δυσπρόσιτα σημεία. [V1]
- **Βούρτσα ξεσκονίσματος\*** – Για ράφια, πλαίσια, πληκτρολόγια και άλλες ευαίσθητες περιοχές. [V2]
- **Εξάρτημα καθαρισμού επίπλων\*** – Για μαλακά έπιπλα και υφάσματα. [V3]
- **Πέλημα παρκέ\*** – Για παρκέ και άλλα ευαίσθητα δάπεδα. [W]

## ΛΙΣΤΑ ΕΛΕΓΧΟΥ ΧΡΗΣΤΗ

Εάν αντιμετωπίσετε πρόβλημα με το προϊόν, συμβουλευθείτε αυτή την απλή λίστα ελέγχου πριν απευθυνθείτε στο κέντρο τεχνικής υποστήριξης Hoover .

- Υπάρχει ρεύμα στην πρίζα που έχει συνδεθεί η ηλεκτρική σκούπα; Ελέγξτε αν η σκούπα είναι φορτισμένη.
- Η σακούλα σκόνης είναι υπερπλήρης; Ανατρέξτε στην ενότητα «Συντήρηση σκούπας».
- Είναι φραγμένο το φίλτρο; Ανατρέξτε στην ενότητα «Συντήρηση σκούπας».
- Είναι φραγμένο το πέλαμα ή ο εύκαμπτος σωλήνας; Ανατρέξτε στο κεφάλαιο «Απομάκρυνση σκουπιδιού από το σύστημα».
- Η σκούπα δεν ανάβει; Ελέγξτε αν η μπαταρία είναι φορτισμένη.
- Η μπαταρία δεν φορτίζει;
- Αυτό μπορεί να οφείλεται σε πολύ μεγάλη περίοδο αποθήκευσης (πάνω από ένα έτος). Επικοινωνήστε με το Κέντρο Τεχνικής Υποστήριξης Hoover για να φροντίσετε για την αντικατάσταση των μπαταριών. Ανατρέξτε στην "Αντικατάσταση της μπαταρίας"

**ΣΗΜΕΙΩΣΗ:** Η σωστή τάση του φορτιστή είναι από 19V έως 22V και το ρεύμα φόρτισης είναι 1 έως 2 A.

## ΣΗΜΑΝΤΙΚΕΣ ΠΛΗΡΟΦΟΡΙΕΣ

### Ανταλλακτικά και αναλώσιμα HOOVER

Αντικαθιστάτε πάντα τα εξαρτήματα με γνήσια ανταλλακτικά HOOVER. Διατίθενται από τον αντιπρόσωπο HOOVER της περιοχής σας ή απευθείας από τη Hoover. Κατά την παραγγελία εξαρτημάτων να αναφέρετε πάντα τον αριθμό μοντέλου.

- Συστοιχία μπαταριών: BAT18VLI 39800040

### Ποιότητα

ΤΑ ΕΡΓΟστάσια Hoover έχουν ελεγχθεί από ανεξάρτητους φορείς ποιοτικού ελέγχου. Τα προϊόντα μας κατασκευάζονται χρησιμοποιώντας το σύστημα ποιότητας που ικανοποιεί τις απαιτήσεις του προτύπου ISO 9001.

### Η εγγύησή σας

Οι όροι ισχύος της εγγύησης της συσκευής καθορίζονται από τον αντιπρόσωπο της χώρας στην οποία έχει πραγματοποιηθεί η πώληση. Περισσότερες πληροφορίες σχετικά με τους όρους εγγύησης μπορείτε να ζητήσετε από τον αντιπρόσωπο που αγοράσατε τη συσκευή. Η προσκόμιση του τιμολογίου ή της απόδειξης αγοράς είναι βασική προϋπόθεση για την ισχύ της εγγύησης .

**ΕΠΙΣΗΜΑΝΣΗ :** Η μπαταρία σε αυτή τη σκούπα διαθέτει εγγύηση 2 ετών από την ημερομηνία αγοράς. Μετά τα 2 χρόνια ο πελάτης επιβαρύνεται με το κόστος της καινούργιας μπαταρίας.

Ο κατασκευαστής διατηρεί το δικαίωμα να επιφέρει αλλαγές χωρίς προγενέστερη ενημέρωση.

## ИНСТРУКЦИИ ПО БЕЗОПАСНОМУ ИСПОЛЬЗОВАНИЮ

Данный прибор предназначен только для домашнего использования в соответствии с описанием, приведенным в настоящем Руководстве пользователя. Прежде чем приступить к эксплуатации данного бытового электроприбора, убедитесь в том, что вы понимаете настоящее руководство.

Не оставляйте прибор включенным в розетку. После использования или перед очисткой или обслуживанием всегда вынимайте вилку из розетки.

Дети старше восьми лет, а также лица со сниженным физическим, сенсорным или умственным развитием или отсутствием опыта или знаний об устройстве могут использовать устройство под присмотром или если они должным образом проинструктированы о безопасном использовании устройства и понимают риски, которые может повлечь собой его использование. С устройством не должны играть дети. Не следует допускать детей к очистке и обслуживанию прибора без присмотра взрослых.

Если провод питания поврежден, немедленно отключите прибор. Во избежание угрозы безопасности замену провода питания должен проводить только мастер авторизованной сервисной службы HOOVER.

Не приближайте вращающиеся щетки к рукам, ногам, болтающейся одежде и волосам.

Пользуйтесь только оригинальным зарядным устройством, входящим в комплект поставки прибора.

Убедитесь, что напряжение источника питания соответствует параметрам зарядного устройства.

Это пылесос Hoover снабжено зарядным устройством с двойной изоляцией, которое подходит только для вставки в розетку с 230V (240 в Великобритании).

Вставьте зарядное устройство в соответствующую розетку и подсоедините разъем зарядного устройства к пылесосу.

При первом использовании зарядите аккумулятор в течение 5,5 часов.

Для зарядки аккумулятора отсоедините его от пылесоса, нажав на педаль и подключите вилку зарядного устройства к зарядному гнезду, расположенному на аккумуляторе.

Аккумулятор также можно зарядить, не вынимая из пылесоса. **[5]**

Проследите за тем, чтобы во время зарядки пылесос был отключен.

Когда зарядное устройство подключено, светодиодные индикаторы на нем будут загораться по очереди в зависимости от степени заряда до тех пор, пока не будут гореть все четыре индикатора.

После полного заряда четыре светодиодных индикатора продолжают гореть еще 5 минут, затем гаснут.

После использования всегда устанавливайте прибор на зарядное устройство с целью подзарядки аккумуляторов.

Запрещается зарядка аккумуляторных батарей при температуре выше 45 C или ниже 0 C.

Совершенно нормально, если во время зарядки коснуться зарядного устройства, то оно будет теплым. Во время зарядки пылесос автоматически отключается.

Никогда не отключайте зарядное устройство, потянув за кабель.

Отключите зарядное устройство в случае длительного отсутствия (каникулы и т.д.) Перезарядите пылесос снова перед использованием, так как аккумулятор может саморазрядиться за период хранения.

При необходимости утилизации прибора, выньте из него аккумуляторы. Вынимая аккумуляторы, отключите прибор от электросети. Соблюдайте правила техники безопасности при утилизации аккумуляторов. Запустить в работу прибор и дождаться полной разрядки аккумуляторов. Использованные аккумуляторы необходимо сдавать в специальный пункт приема и не смешивать с обычными бытовыми отходами. Чтобы извлечь аккумуляторы, свяжитесь с Клиентской Службой Hoover или следуйте приведенным далее инструкциям.

**ВНИМАНИЕ!** Перед тем как извлечь батареи из пылесоса, они должны быть полностью разряжены.

Используйте пылесос до полной разрядки аккумуляторов.

Выньте вилку зарядного устройства из прибора.

Чтобы вынуть аккумуляторы, нажмите на защелку, чтобы вытолкнуть их. [5]

Медленно и аккуратно вытяните аккумулятор из отсека. [5]

**ПРИМЕЧАНИЕ:** В случае возникновения каких-либо сложностей с разборкой блока или при необходимости получения более подробной информации об обслуживании, утилизации и переработке данного прибора, обратитесь в местные органы власти или в местную службу по утилизации бытовых отходов.

Замену можно производить только на аккумуляторные батареи.

Используйте только те насадки, расходные материалы или запасные части, которые рекомендует или поставляет HOOVER.

**Статическое электричество:** Некоторые типы ковровых покрытий способны накапливать небольшой заряд статического электричества. Разряд статического электричества не представляет опасности для здоровья.

Не применяйте прибор вне помещений, на влажных поверхностях или для сбора жидкостей.

Не используйте прибор для сбора острых предметов, спичек, горячего пепла, окурков или аналогичных объектов.

Не распыляйте или не собирайте горючие жидкости, чистящие средства, аэрозоли или прочие пары.

Не перевозите свой прибор через провод питания и не тяните за провод, вынимая вилку из розетки.

В случае неисправности не следует продолжать пользоваться прибором.

**Сервисная служба HOOVER:** Для гарантии безопасной и надежной работы данного прибора мы рекомендуем приглашать авторизованных инженеров сервисной службы HOOVER для выполнения технического обслуживания и ремонта.

Не стойте на проводе и не наматывайте его на руку или ногу в процессе использования прибора.

Не пользуйтесь прибором для очистки животных или людей.

Не размещайте прибор над собой во время уборки лестниц.

#### Окружающая среда:

Символ на данном приборе указывает на то, что его нельзя утилизировать вместе с бытовыми отходами. Его необходимо сдавать в соответствующий пункт приема для дальнейшей переработки электрических и электронных частей. Утилизация должна проводиться в соответствии с местными природоохранными правилами по утилизации отходов. За более подробной информацией по обращению с данным прибором, его утилизации и переработке обратитесь в местные органы власти, в службу утилизации отходов или в магазин, где вы приобрели данный прибор.



**CE** Данный прибор отвечает требованиям Европейских Директив 2014/35/EU, 2014/30/EU и 2011/65/EU.

CANDY HOOVER GROUP S.r.l. Via Privata Eden Fumagalli, 20861 Brugherio (MB) Italy



## ЗНАКОМСТВО С ВАШИМ ПЫЛЕСОСОМ

- |                                              |                                                 |
|----------------------------------------------|-------------------------------------------------|
| A. Дверца отсека с аксессуарами              | N. Насадка для чистки ковров и пола*            |
| B1. Держатель шланга*                        | O. Защелка аккумулятора                         |
| B2. Держатель рукоятки*                      | P. Аккумулятор                                  |
| B3. Держатель трубы*                         | P1. Светодиодные индикаторы заряда аккумулятора |
| C. Регулируемая мощность*                    | P2. Кнопка состояния заряда аккумулятора        |
| D. Дверца отсека мешка для сбора пыли        | P3. Зарядное гнездо                             |
| E. Замок дверцы мешка для сбора пыли         | Q. Зарядное устройство                          |
| F. Кнопка Вкл./Выкл.                         | R. Мешок                                        |
| G. Индикатор наполнения мешка для сбора пыли | S. Выпускной фильтр                             |
| H. Замок дверцы отсека с аксессуарами        | T. Фильтр защиты двигателя                      |
| I. Регулятор всасывания                      | U. Держатель мешка                              |
| J. Шланг                                     | V1. Щелевая насадка*                            |
| K. Телескопическая труба**                   | V2. Щетка для удаления пыли*                    |
| Ka. Защелка телескопической трубы*           | V3. Мебельная насадка*                          |
| Kb. Регулятор телескопической трубы**        | W. Насадка для паркета*                         |
| L. Защелка насадки*                          |                                                 |
| M. Основная насадка**                        |                                                 |

## ЗНАКОМСТВО С ВАШИМ ПЫЛЕСОСОМ

Извлеките составные части пылесоса из упаковки.

1. Закрепите шланг на главном корпусе пылесоса. Для того, чтобы отсоединить шланг, достаточно нажать две защелки на конце шланга и потянуть его на себя. **[1]**
2. Присоедините рукоятку к верхнему концу трубы. **[2]**
3. Подсоедините нижний конец трубы к жесткой насадке для пола\*\* или к принадлежностям, если необходимо. **[3]**
4. Вставьте аккумулятор в щель в корпусе пылесоса, убедившись, что он зафиксирован. При правильной установке вы услышите щелчок. **[4]** Чтобы вынуть аккумулятор, нажмите на его защелку на пылесосе и достаньте его из отсека.

## ЗАРЯДКА И ИСПОЛЬЗОВАНИЕ АККУМУЛЯТОРА

При первом использовании зарядите аккумулятор в течении 5,5 часов.

Для зарядки аккумулятора отсоедините его от пылесоса, нажав на защелку **[5a]**, и подключите вилку зарядного устройства к зарядному гнезду, расположенному на аккумуляторе. Аккумулятор также можно зарядить, не вынимая из пылесоса. **[5b]**

Когда зарядное устройство подключено, светодиодные индикаторы на нем будут загораться по очереди в зависимости от степени заряда до тех пор, пока не будут гореть все четыре индикатора.

После полного заряда четыре светодиода индикатора продолжают гореть еще 5 минут, затем гаснут.

**ВНИМАНИЕ!** В процессе заряда защелка всегда должна находиться в положении "отключено".

### СВЕТОДИОДНЫЕ ИНДИКАТОРЫ ЗАРЯДА АККУМУЛЯТОРА:

- <15%, мигают
- 15%~25%
- 26%~50%
- 51%~75%
- 76%~100%

**ВНИМАНИЕ!** Перед использованием убедитесь, что аккумулятор имеет достаточный уровень заряда.

Если мигает один светодиодный индикатор, это значит, что аккумулятор необходимо зарядить (осталось менее 15%).

Во время работы пылесоса светодиодные индикаторы аккумулятора загораются, показывая оставшийся уровень заряда.

Когда уровень заряда аккумулятора составляет около 20%, звуковой сигнал, состоящий из 3 звуковых зуммеров, оповещает о том, что аккумулятор вот-вот разрядится. Если не зарядить аккумулятор, через несколько минут прибор автоматически отключится.

Когда уровень заряда снижается до 15%, первый индикатор мигает в течение 5 секунд, после чего пылесос отключается.

Когда пылесос не используется, уровень заряда можно проверить, нажав кнопку состояния заряда аккумулятора (**P2**). Светодиодные индикаторы аккумулятора загорятся на 5 секунд.

### ВНИМАНИЕ!

1. Пользуйтесь только тем зарядным устройством, которое входит в комплект вашего пылесоса.
2. Температура зарядки: 0~45°C.
3. Во время зарядки пылесос автоматически отключается.
4. Совершенно нормально, если во время зарядки коснуться зарядного устройства, то оно будет теплым.
5. Отключите зарядное устройство в случае длительного отсутствия (каникулы и т.д.)

**ПРИМЕЧАНИЕ:** Для оптимизации работы аккумулятора его необходимо регулярно (не реже чем раз в год) полностью заряжать.

## ЭКСПЛУАТАЦИЯ ПЫЛЕСОСА

1. Отрегулируйте телескопическую трубу до нужной высоты повернув регулятор\*\*, и поднимите или опустите трубу до наиболее удобного положения чистки. **[6]**
2. Подсоедините нижний конец телескопической трубки к основной насадке\*\* или

\*Только у конкретных моделей \*\*Зависит от модели

к аксессуарам, если это необходимо. Если модель оснащена насадкой для ковров и пола\*\*, нажмите на насадку педаль селектора для типа пола\*, чтобы выбрать идеальный режим очистки: [7]

**Твердое напольное покрытие** – Для защиты напольного покрытия щетки опущены  
**Ковровое покрытие** – Для более глубокой очистки щетки подняты.

#### Насадка для пола и ковров\*:

- **Уборка твердых напольных покрытий:** Переведите педаль на насадке в режим уборки твердых напольных покрытий и установите ползунок на насадке в положение ВСЕ ТИПЫ ПОЛОВ. В этом положении щетки, колесики и скребок опускаются для защиты твердого напольного покрытия. [8a]

- **Стандартная уборка ковров и ковровых покрытий:** Переведите педаль на насадке в режим уборки ковров и установите ползунок на насадке в положение ВСЕ ТИПЫ ПОЛОВ. В таком положении щетки и скребок подняты, а колесики опущены, чтобы облегчить движение по поверхности данного типа. [8b]

- **Глубокая чистка ковров:** Переведите педаль на насадке в режим уборки ковров и установите ползунок на насадке в положение ГЛУБОКАЯ ЧИСТКА ПОЛОВ. В этом положении щетки, колесики и скребок подняты для более глубокой очистки ковра. [8c]

**ВНИМАНИЕ:** Чтобы не поцарапать деревянные полы, не используйте для уборки насадку с педалью, установленной не в положении для твердых полов, и с ползунком в положении для глубокой чистки ковров.

3. Включите пылесос, нажав кнопку Вкл./Выкл. на корпусе пылесоса.
4. С помощью ползунка увеличьте или уменьшите мощность. [9]
5. Отрегулируйте при помощи регулятора мощность всасывания.
6. Завершив очистку, выключите пылесос, нажав кнопку Вкл./Выкл.

## ПОЛОЖЕНИЯ ОСТАНОВКИ И ХРАНЕНИЯ

1. Во время остановки работы трубку пылесоса можно вставить в специальный проем на задней или нижней части пылесоса. [10]
2. Для хранения шланг, труба и насадка складываются в положение «нано-пак™»: [11]
  - A. Сложите телескопическую трубу, чтобы ее длина была минимальной.
  - B. Снимите насадку с конца телескопической трубы.
  - C. Снимите рукоятку шланга с телескопической трубы.
  - D. Поднимите держатель шланга в задней части пылесоса и намотайте гибкий шланг вокруг пылесоса.
  - E. Разместите рукоятку шланга на пылесосе через держатель рукоятки.
  - F. Вставьте насадку в отсек для крепления насадки в нижней части пылесоса.
  - G. Вставьте телескопическую трубу в оставшийся отсек в нижней части пылесоса.

## ТЕХНИЧЕСКОЕ ОБСЛУЖИВАНИЕ ПЫЛЕСОСА

### Замена мешка для сбора пыли

Если индикатор переполнения пылесборника красный, проверьте состояние мешка, и в

случае необходимости замените его.

1. Поднимите замок дверцы отсека мешка для сбора пыли. Чтобы пыль из мешка не разлеталась, закройте его, потянув за язычок, и выньте мешок [12]. Утилизация полного мешка для пыли должна производиться аккуратно и правильно.
2. Сложите новый мешок, как это указано на нем, и закрепите его путем помещения горловины в держатель мешка. [13]
3. Закройте дверцы отсека мешка для сбора пыли.

**ПОМНИТЕ:** Индикатор заполнения мешка может гореть красным также, если забился шланг или трубка. В этом случае обратитесь к пункту “Удаление препятствия из системы”

#### Очистка фильтра:

Для поддержания оптимальных рабочих параметров пылесоса, стирайте постоянный мешок после каждых пяти наполнений.

#### Очистка фильтра электродвигателя:

1. Поднимите замок дверцы отсека мешка для сбора пыли и откройте дверцу.
2. Для удаления фильтра электродвигателя выньте рамку фильтра из пылесоса. [14]
3. Выньте фильтр из держателя. [14]
4. Вымойте его в теплой воде и дайте полностью просохнуть перед установкой в пылесос. [16,17,18]

#### Очистка выпускного фильтра:

1. Чтобы снять выпускной фильтр, откройте дверцу отсека мешка для сбора пыли и выньте пакет фильтров. [15]
2. Вымойте фильтр слегка теплой водой и дайте ему полностью просохнуть прежде чем снова вставлять в пылесос. [16,17,19]

**ПОМНИТЕ:** Запрещается промывка горячей водой или моющими средствами. Повреждение фильтров маловероятно. Если же это произошло, замените поврежденный фильтр новым фильтром производства фирмы Hoover. Запрещается использование пылесоса без мешка для сбора пыли или установленного фильтра.

### Очистка постоянного пылесборного мешка\* (только у конкретных моделей)

Для поддержания оптимальных рабочих параметров пылесоса, стирайте постоянный мешок в теплой воде после каждых пяти наполнений мешка. Удалите излишки воды и дайте полностью высохнуть прежде чем снова вставлять в пылесос.

### Устранение засоров в системе

Если индикатор заполнения мешка горит красным,

1. Проверьте, не заполнен ли мешок для сбора пыли. Если заполнен, см. раздел “Замена пылесборного мешка”.
2. Если он не заполнен, тогда:
  - A. Требуется ли прочистить фильтры? Если заполнен, см. раздел “Очистка фильтра”.
  - B. Убедитесь в отсутствии других засоров в пылесосе. - С помощью стержня или палки удалите засор из телескопической трубы или гибкого шланга.

**ВНИМАНИЕ\*:** - Индикатор заполнения мешка остается красным, если вы пользуетесь пылесосом с заполненным мешком, а также в случае засора в трубе или шланге или при грязных фильтрах. По истечении 10 минут работы с красным индикатором заполнения мешка электронная система автоматически отключит пылесос, предохраняя его от

перегрева. В этом случае выключите пылесос, отсоедините его от сети питания и замените мешок (См. раздел «Устранение засоров в системе»). Реле защиты автоматически вернется в исходное положение, если вновь включить пылесос.

### Замена аккумулятора

Этот пылесос работает от перезаряжаемых литий-ионных аккумуляторов, которые можно заменить.

**ВНИМАНИЕ:** Пользуйтесь только утвержденными запасными частями для вашего пылесоса. Использование запасных частей, которые не одобрены компанией Hoover, является опасным и приведет к аннулированию вашей гарантии.

**ВНИМАНИЕ:** Не пытайтесь вскрывать аккумулятор и ремонтировать его самостоятельно.

1. Нажмите на защелку аккумулятора, и он выскочит из гнезда автоматически.
2. Медленно вытяните аккумулятор из отсека.
3. Замените старый аккумулятор на новый.
4. Соблюдайте правила техники безопасности при утилизации аккумуляторов. И использованные аккумуляторы необходимо сдавать в специальный пункт приема и не смешивать с обычными бытовыми отходами.

### Утилизация после конца срока службы аккумулятора

Если пылесос подлежит утилизации, то следует вынуть аккумулятор. И использованные аккумуляторы необходимо сдавать в специальный пункт приема и не смешивать с обычными бытовыми отходами.

**ВНИМАНИЕ!** Перед тем как извлечь батареи из пылесоса, они должны быть полностью разряжены.

1. Используйте пылесос до полной разрядки аккумуляторов.
2. Нажмите на защелку аккумулятора, и он выскочит из гнезда автоматически.
3. Медленно вытяните аккумулятор из отсека.
4. Снимите аккумулятор с пылесоса.

**Примечание:** Если у вас возникли какие-либо трудности при разборке пылесоса, или для более подробной информации о переработке или утилизации данного продукта, пожалуйста, свяжитесь с местным муниципалитетом или со службой по вывозу и утилизации отходов.

## ПРИНАДЛЕЖНОСТИ И НАСАДКИ

Щелевая насадка\*, мебельная насадка\* и щетка для удаления пыли\* хранятся в корпусе пылесоса под дверцей отсека для принадлежностей. Их можно крепить к рукоятке или к концу телескопической трубы. [20]

- **Щелевая насадка\*** – Предназначена для очистки углов и труднодоступных мест. [V1]
- **Щетка для удаления пыли\*** – Предназначена для чистки книжных полок, рамок картин, компьютерных клавиатур и прочих деликатных поверхностей. [V2]
- **Мебельная насадка\*** – Для мягкой мебели и тканей. [V3]
- **Насадка для паркета\*** – Для паркетных полов и других напольных покрытий, требующих осторожного обращения. [W]

## ПАМЯТКА ПОЛЬЗОВАТЕЛЯ

При возникновении каких-либо проблем с прибором, прежде чем звонить в техническую службу HOOVER выполните следующие простые проверки.

- Подается ли электричество к пылесосу? Проверьте зарядку пылесоса.
- Не переполнен ли мешок для пыли? См. раздел «Техническое обслуживание пылесоса».
- Не засорился ли фильтр? См. раздел «Техническое обслуживание пылесоса».
- Не засорились ли шланг или насадка? См. раздел «Устранение засоров в системе».
- Пылесос не включается? Проверьте, заряжен ли аккумулятор.
- Аккумулятор не заряжается?
- Это может быть связано с длительным периодом хранения (более одного года). Свяжитесь с центром обслуживания клиентов Hoover для организации замены аккумулятора. См. раздел «Замена аккумулятора».

**ПРИМЕЧАНИЕ:** Правильное напряжение на зарядном устройстве составляет от 19 до 22 В, а сила тока от 1 до 2 А.

## ВАЖНАЯ ИНФОРМАЦИЯ

### Запасные части и расходные материалы HOOVER

Всегда используйте оригинальные запасные части HOOVER. Их можно приобрести у вашего местного дилера HOOVER или непосредственно в компании Hoover. При оформлении заказа на запасные части обязательно указывайте номер модели пылесоса.

- Аккумуляторы: BAT18VLI 39800040

### Требования к качеству продукции

ЗАВОДЫ компании Hoover прошли независимую оценку на предмет соблюдения требований к качеству выпускаемой продукции. Наша продукция изготавливается из высококачественных материалов, отвечающих требованиям ISO 9001.

### Ваша гарантия

Условия гарантии для данного бытового электрического прибора определяются нашим представительством в той стране, в которой этот электроприбор был куплен. Более подробную информацию об этих условиях вы можете получить от нашего дилера. При предъявлении претензий по условиям данных гарантийных обязательств необходимо предъявить чек или квитанцию на проданный товар.

**ВНИМАНИЕ!** На аккумуляторы, установленные в этом пылесосе, предоставляется гарантия сроком на 2 года с даты покупки. По истечении 2 года покупатель приобретает новые аккумуляторы за свой счет.

Изменения могут быть внесены без предварительного уведомления.

## INSTRUKCJE BEZPIECZNEGO UŻYTKOWANIA

Urządzenie to jest przeznaczone wyłącznie do użytku domowego w sposób opisany w niniejszej instrukcji użytkownika. Prosimy o dokładne zapoznanie się z instrukcją przed rozpoczęciem używania odkurzacza.

Nie pozostawiać urządzenia podłączonego do gniazdka zasilającego. Należy zawsze wyłączać urządzenie i wyjmować wtyczkę przewodu zasilającego z gniazdka po zakończeniu użytkowania, a także przed przystąpieniem do czyszczenia lub wykonywania jakichkolwiek czynności konserwacyjnych.

Urządzenie mogą obsługiwać dzieci w wieku co najmniej 8 lat, osoby o ograniczonych zdolnościach fizycznych, sensorycznych lub mentalnych, a także osoby nieposiadające odpowiedniego doświadczenia oraz wiedzy, jedynie pod warunkiem że odbywać się będzie to pod nadzorem lub po przeszkoleniu na temat bezpiecznego użycia urządzenia oraz związanych z nim zagrożeń. Dzieci nie mogą bawić się urządzeniem. Urządzenia nie powinny czyścić ani konserwować dzieci bez nadzoru.

Jeśli przewód zasilający uległ uszkodzeniu, należy natychmiast zaprzestać korzystania z urządzenia. Ze względów bezpieczeństwa przewód zasilający powinien być wymieniany wyłącznie przez serwisanta autoryzowanego punktu serwisowego HOOVER.

Nie zbliżać rąk, stóp, luźnej odzieży ani włosów do obracających się szczotek.

Należy stosować wyłącznie ładowarkę dostarczoną wraz z urządzeniem.

Należy sprawdzić, czy napięcie zasilania w gniazdku jest zgodne z podanym na tabliczce znamionowej ładowarki.

Niniejsze urządzenie Hoover zasilane jest podwójnie izolowaną ładowarką akumulatorów, która może być

podłączana do gniazd 230V (UK 240V).

Podłączyć ładowarkę od odpowiedniego gniazdka, a przewód ładowarki do urządzenia.

Pierwsze ładowanie akumulatora powinno trwać 5,5 godziny.

Aby naładować akumulator, odłączyć go od odkurzacza poprzez naciśnięcie pedału zwalniania akumulatora. Następnie podłączyć ładowarkę do portu ładującego znajdującego się na akumulatorze.

Akumulator może się również ładować, kiedy jest włożony do odkurzacza. **[5]**

Upewnić się, czy odkurzacz jest wyłączony podczas ładowania.

Kiedy ładowarka jest podłączona, wskaźnik diodowy LED na akumulatorze będzie się po kolei zapalać podczas ładowania aż do momentu, kiedy świecić się będą wszystkie cztery diody.

Po całkowitym naładowaniu cztery kontrolki LED będą się nadal świeciły i zgasną po 5 minutach.

Po użyciu ponownie podłączyć urządzenie do ładowarki, aby doładować akumulator.

Nigdy nie ładować akumulatorów w temperaturze powyżej 45°C lub poniżej 0°C.

Nieznaczne nagrzewanie się ładowarki podczas ładowania jest normalnym zjawiskiem. Podczas ładowania odkurzacz wyłącza się automatycznie.

**NIE** wyjmować wtyczki ładowarki z gniazdka, ciągnąc za przewód zasilający.

W razie dłuższej nieobecności (urlop itp.) odłączyć ładowarkę od zasilania. Po dłuższej przerwie w eksploatacji urządzenie należy doładować przed użyciem, ponieważ bezczynność powoduje rozładowanie akumulatorów.

Jeżeli urządzenie ma być złomowane, należy z niego najpierw usunąć akumulatory. Podczas wyjmowania akumulatora urządzenie musi być odłączone od zasilania. Akumulatory należy utylizować w sposób bezpieczny dla środowiska. Włączyć urządzenie i pozwolić, aby pracowało aż do całkowitego wyczerpania akumulatorów. Zużyte akumulatory należy przekazać do recyklingu. Nie należy ich wyrzucać ze śmieciami domowymi. W celu wyjęcia akumulatorów należy skontaktować się z Centrum Serwisowym Hoover lub postępować zgodnie z następującymi instrukcjami.

**WAŻNE:** Przed usunięciem należy całkowicie rozładować akumulatory.

Włączyć odkurzacz i pozwolić, aby pracował aż do pełnego wyczerpania akumulatorów.

Wyjąć wtyczkę przewodu ładowarki z urządzenia.

Nacisnąć przycisk zwalniania akumulatora, aby zwolnić akumulator. [5]

Powoli wysunąć zestaw akumulatorów ze szczeliny. [5]

**UWAGA:** W razie napotkania jakichkolwiek problemów z demontażem jednostki lub w razie konieczności uzyskania dodatkowych informacji na temat sposobu utylizacji, złomowania i recyklingu urządzenia należy skontaktować się z lokalnym urzędem gminy lub komunalnym zakładem utylizacji odpadów.

Nie wolno stosować jednorazowych baterii zamiast akumulatorów.

Należy korzystać wyłącznie z końcówek, materiałów eksploatacyjnych oraz części zamiennych zalecanych lub dostarczonych przez firmę HOOVER.

**Ładunki elektrostatyczne:** Odkurzanie niektórych dywanów może powodować niewielkie naelektryzowanie się urządzenia. Tego rodzaju ładunki elektrostatyczne nie stanowią zagrożenia

dla zdrowia.

Nie używać urządzenia na zewnątrz domu, do odkurzania mokrych powierzchni ani do zbierania wody.

Nie wolno wciągać twardych lub ostrych przedmiotów, zapalek, gorącego popiołu, niedopałków papierosów ani innych podobnych przedmiotów.

Nie spryskiwać łatwopalnymi cieczami, środkami czyszczącymi w aerozolu ani parą.

Nie stąpać po przewodzie zasilającym podczas korzystania z urządzenia i nie wyjmować wtyczki, ciągnąc za przewód zasilający.

Nie kontynuować eksploatacji uszkodzonego urządzenia.

**Serwis firmy HOOVER:** Aby zapewnić bezpieczne i sprawne działanie tego urządzenia, zalecamy zlecenie prac serwisowych lub napraw wyłącznie serwisantom autoryzowanego punktu serwisowego firmy HOOVER.

Nie stawać na przewodzie zasilającym i nie owijać go sobie wokół rąk lub nóg podczas korzystania z urządzenia.


Nie używać urządzenia do odkurzania ludzi lub zwierząt.

Nie ustawiać urządzenia powyżej swojego poziomu podczas odkurzania schodów.

#### Ochrona środowiska

Symbol umieszczony na urządzeniu oznacza, że nie jest ono klasyfikowane jako odpad z gospodarstwa domowego. Urządzenie należy zdać w odpowiednim punkcie utylizacji w celu recyklingu komponentów elektrycznych i elektronicznych. Urządzenie należy złomować zgodnie z lokalnymi przepisami w sprawie utylizacji odpadów. Dodatkowe informacje na temat sposobu utylizacji, złomowania i recyklingu urządzenia można uzyskać w lokalnym urzędzie miejskim, w komunalnym zakładzie utylizacji odpadów lub w sklepie, w którym produkt został zakupiony.



 Urządzenie spełnia wymogi europejskich norm 2014/35/WE, 2014/30/WE oraz 2011/65/WE.

CANDY HOOVER GROUP S.r.l. Via Privata Eden Fumagalli, 20861 Brugherio (MB) Italy

## ELEMENTY ODKURZACZA

- |                                         |                                          |
|-----------------------------------------|------------------------------------------|
| A. Pokrywa schowka na akcesoria         | M. Końcówka główna**                     |
| B1. Uchwyt węża*                        | N. Szczotka dywanowo-podłogowa*          |
| B2. Obsada uchwyty*                     | O. Pedał zwolnienia akumulatora          |
| B3. Obsada rury*                        | P. Zestaw akumulatorów                   |
| C. Płynna regulacja mocy*               | P1. Wskaźnik akumulatora z diodami LED   |
| D. Kłapa worka                          | P2. Przycisk stanu ładowania akumulatora |
| E. Zatrask kłapy worka                  | P3. Port ładujący                        |
| F. Pedał wł./wył.                       | Q. Ładowarka                             |
| G. Wskaźnik wypełnienia worka           | R. Worek                                 |
| H. Zatrask pokrywy schowka na akcesoria | S. Filtr wylotowy                        |
| I. Regulator siły ssania                | T. Filtr przed silnikiem                 |
| J. Wąż                                  | U. Obsada worka                          |
| K. Rura teleskopowa**                   | V1. Ssawka szczelinowa*                  |
| Ka. Rura teleskopowa na zatrask*        | V2. Szczotka do kurzu*                   |
| Kb. Regulacja rury teleskopowej**       | V3. Szczotka do mebli*                   |
| L. Zacisk końcówki*                     | W. Szczotka do parkietów*                |

## ELEMENTY ODKURZACZA

Wymij wszystkie elementy z opakowania.

1. Podłącz wąż do obudowy głównej odkurzacza. Aby zwolnić wąż: naciśnij dwa zatraski na końcówce węża i pociągnij. [1]
2. Podłącz uchwyt do górnego końca rury. [2]
3. Połącz dolny koniec rury ze ssawką do podłogi \*\* lub w razie potrzeby z odpowiednimi akcesoriami. [3]
4. Włożyć akumulator do komory w odkurzaczy. Sprawdzić, czy jego położenie jest prawidłowe. Zatrzaśnięcie oznacza, że akumulator jest prawidłowo położony i podłączony. [4] Aby wyjąć akumulator, nacisnąć pedał zwalniania akumulatora na odkurzaczu. Następnie wyjąć akumulator.

## ŁADOWANIE I EKSPLOATACJA AKUMULATORA

Pierwsze ładowanie akumulatora powinno trwać 5,5 godziny.

Aby naładować akumulator, odłączyć go od odkurzacza poprzez naciśnięcie pedału zwalniania akumulatora [5a]. Następnie podłączyć ładowarkę do portu ładującego znajdującego się na akumulatorze. Akumulator może się również ładować, kiedy jest włożony do odkurzacza. [5b]

Kiedy ładowarka jest podłączona, wskaźnik diodowy LED na akumulatorze będzie się po kolei zapalać podczas ładowania aż do momentu, kiedy świecić się będą wszystkie

cztery diody.

Po całkowitym naładowaniu cztery kontrolki LED będą się nadal świeciły i zgasną po 5 minutach.

**WAŻNE:** Pedał Wł./Wył. odkurzacza musi być zawsze w pozycji Wył. podczas ładowania.

### WSKAŹNIK AKUMULATORA Z DIODAMI LED

- <15%, miga
- 15%~25%
- 26%~50%
- 51%~75%
- 76%~100%

**WAŻNE:** Zawsze sprawdzić, czy akumulator ma wystarczającą pojemność przed przystąpieniem do jego eksploatacji.

Przystąpić do ładowania odkurzacza, jeśli miga tylko jedna kontrolka LED (pozostało już tylko  $\leq 15\%$  mocy).

Kiedy odkurzaczy jest w użyciu, wskaźnik akumulatora z diodami LED będzie informował o tym, ile mocy jeszcze pozostało.

Kiedy bateria rozładuje się do 20%, odkurzaczy wyda 3 sygnały dźwiękowe, aby poinformować, że bateria wkrótce się wyczerpie. Jeżeli w ciągu kilku minut odkurzaczy nie zostanie podłączony do prądu, urządzenie wyłączy się automatycznie.

Kiedy pozostały poziom mocy w akumulatorze wynosi  $\leq 15\%$ , pierwsza kontrolka LED będzie migać przez 5 sekund, a następnie odkurzaczy wyłączy się automatycznie.

Kiedy odkurzaczy nie jest używany, można sprawdzić poziom mocy akumulatora poprzez naciśnięcie przycisku stanu ładowania akumulatora (P2). Wskaźnik akumulatora z diodami LED będzie się świecić przez 5 sekund.

### WAŻNE:

1. Używać jedynie ładowarki dostarczonej w komplecie z odkurzaczem.
2. Temperatura ładowania: 0~45°C.
3. Podczas ładowania odkurzaczy wyłącza się automatycznie.
4. Nieznaczne nagrzewanie się ładowarki podczas ładowania jest normalnym zjawiskiem.
5. W razie dłuższej nieobecności (urlop itp.) odłączyć ładowarkę od zasilania.

**UWAGA:** Aby zoptymalizować wydajność akumulatora, należy regularnie (lub co najmniej raz w roku) naładować go do pełna.

## KORZYSTANIE Z ODKURZACZA

1. Ustaw rurę teleskopową na żądaną wysokość, przesuwając jej regulację w górę\*\* i podnosząc lub opuszczając uchwyt do najwygodniejszego położenia. [6]
2. Połącz dolny koniec rury teleskopowej z końcówką główną \*\* lub innymi odpowiednimi akcesoriami. Jeśli dany model posiada ssawkę do dywanów i podłóg\*\*, naciśnij pedał wyboru typu podłogi, aby wybrać idealny tryb odkurzania. [7]

\*Tylko w niektórych modelach \*\*W zależności od modelu.

**Twarda podłoga** – Szczotki są obniżone, aby chronić podłogę.  
**Dywan** – Szczotki są uniesione, aby umożliwić głębsze odkurzanie.

#### Szczotka dywanowo-podłogowa\*:

- **Czyszczenie twardych podłóg:** Naciśnij stopą przełącznik znajdujący się na ssawce i ustaw go w pozycji TWARDA PODŁOGA, a następnie ustaw suwak na ssawce w pozycji WSZYSTKIE RODZAJE PODŁÓG. W tej pozycji szczotki, kółka i pióra wycieraczki są obniżone, aby ochronić twardą podłogę. [8a]

- **Standardowe czyszczenie dywanów i chodników:** Naciśnij stopą przełącznik znajdujący się na ssawce i ustaw go w pozycji DYWANY, a następnie ustaw suwak na ssawce w pozycji WSZYSTKIE RODZAJE PODŁÓG. W tej pozycji szczotki i pióra wycieraczki są podniesione, a kółka obniżone, aby ułatwić przesuwanie szczotki po powierzchni dywanu. [8b]

- **Głębokie czyszczenie dywanów:** Naciśnij stopą przełącznik znajdujący się na ssawce i ustaw go w pozycji DYWANY, a następnie ustaw suwak na ssawce w pozycji GŁĘBOKIE CZYSZCZENIE DYWANÓW. W tej pozycji szczotki, kółka i pióra wycieraczki są podniesione, aby umożliwić dogłębne wyczyszczenie dywanu. [8c]

**Ostrzeżenie: Aby uniknąć ryzyka zadrapania drewnianej podłogi, zaleca się, aby nie pozostawiać przełącznika w pozycji TWARDA PODŁOGA, a suwaka w pozycji GŁĘBOKIE CZYSZCZENIE DYWANÓW.**

3. Włącz odkurzacz, naciskając pedał Wł./Wył. znajdujący się na obudowie głównej odkurzacza.
4. Przesuń suwak regulacji mocy, aby zwiększać lub zmniejszać moc. [9]
5. Przesuń regulator ssania na odpowiedni poziom.
6. Po zakończeniu pracy wyłącz odkurzacz za pomocą pedału Wł./Wył.

## PRZERWA W PRACY I PRZECHOWYWANIE

1. Rurę można zablokować w bezpiecznym położeniu w górnej części lub pod spodem odkurzacza, gdy nie jest on w użyciu lub na czas chwilowej przerwy w pracy. [10]
2. Gdy nie są używane, wąż, rura oraz końcówka mogą znajdować się w położeniu "Nano Pack™": [11]
  - A. Złóż rurę teleskopową do rozmiaru przechowywania.
  - B. Wyciągnij szczotkę z końca rury teleskopowej.
  - C. Wyciągnij uchwyt węża z rury teleskopowej.
  - D. Unieś uchwyt węża z tyłu odkurzacza i owiń elastyczny wąż wokół urządzenia.
  - E. Zamontuj uchwyt węża na urządzeniu, w obsadzie uchwytu.
  - F. Włóż szczotkę do gniazda znajdującego się pod spodem urządzenia.
  - G. Złóż rurę teleskopową i włóż ją do gniazda znajdującego się pod spodem urządzenia.

## KONSERWACJA URZĄDZENIA

### Wymiana worka na kurz

Jeśli wskaźnik wypełnienia worka zaświeci się na czerwono, należy sprawdzić i w razie potrzeby wymienić worek.

1. Podnieś zaczep zwalniający pokrywę worka, aby ją otworzyć. Pociągnij za wypust, aby zamknąć worek i nie pozwolić na wydostawanie się z niego kurzu, a następnie wyjmij worek [12]. Pełny worek z kurzem należy ostrożnie usunąć w prawidłowy sposób.
2. Złóż nowy worek w sposób pokazany na worku i zamocuj go, wsuwając kołnierz w uchwyt worka. [13]
3. Zamknij pokrywę worka.

**ZAPAMIĘTAJ:** Wskaźnik wypełnienia worka może świecić na czerwono także w przypadku wystąpienia niedrożności. W takim przypadku patrz rozdział „Usuwanie niedrożności z układu”.

### Czyszczenie filtra:

Aby uzyskać optymalną wydajność odkurzacza, należy wyplukać filtr zainstalowany przed silnikiem po każdych 5 wymianach worka.

### Czyszczenie filtra pre-motor.

1. Podnieś zatrzask pokrywy worka, aby otworzyć pokrywę.
2. W celu wyjęcia bocznego filtra znajdującego się przed silnikiem zwolnij ramkę, w której ten filtr jest zainstalowany. [14]
3. Wyjmij filtr z ramki. [14]
4. Wymyć w letniej wodzie i pozostawić do całkowitego wyschnięcia. Następnie zamontować z powrotem w odkurzaczu. [16,17,18]

### Czyszczenie filtra wywiewu:

1. Aby wyjąć filtr wylotowy, otwórz pokrywę worka i wyjmij zestaw filtra. [15]
2. Wymyć w letniej wodzie i pozostawić do całkowitego wyschnięcia. Następnie zamontować z powrotem w odkurzaczu. [16,17,19]

**ZAPAMIĘTAJ:** Nie stosować gorącej wody ani detergentów. W mało prawdopodobnym przypadku uszkodzenia filtra należy zastąpić go oryginalnym filtrem Hoover. Nie wolno podejmować prób eksploatacji odkurzacza bez założonego worka na kurz lub filtra.

### Czyszczenie worka zamontowanego na stałe\* (tylko w niektórych modelach)

Aby zapewnić optymalną wydajność urządzenia, zaleca się mycie worka zamontowanego na stałe w ciepłej wodzie, co 5 napełnień. Usunąć nadmiar wody i pozostawić do całkowitego wyschnięcia. Następnie zamontować z powrotem w odkurzaczu.

### Usuwanie niedrożności z układu

Jeśli wskaźnik wypełnienia worka świeci na czerwono:

1. Sprawdź, czy worek jest pełny. Jeśli tak, zobacz rozdział „Wymiana worka na kurz”.
2. Jeśli worek nie jest pełny:
  - A. Czy trzeba wyczyścić filtry? Jeśli tak, zobacz rozdział „Czyszczenie filtrów”.
  - B. Sprawdź, czy występują jakiegokolwiek niedrożności w układzie. - Za pomocą patyka lub pręta przetkaj rurę teleskopową lub przewód giętki.

**OSTRZEŻENIE\*:** - Wskaźnik wypełnienia worka będzie świecić się na czerwono, jeśli odkurzacz jest używany przy wypełnionym worku, jeśli obecna jest niedrożność lub jeśli filtry są zabrudzone. Jeżeli odkurzacz jest wykorzystywany przez czas dłuższy niż dziesięć minut pomimo świecenia się wskaźnika wypełnienia worka na czerwono, elektroniczny wyłącznik wyłączy odkurzacz, aby nie dopuścić do jego przegrzania. W

\*Tylko w niektórych modelach \*\*W zależności od modelu.

takim wypadku należy wyłączyć odkurzacz, wyjąć wtyczkę z gniazdka elektrycznego i rozwiązać problem (patrz „Usuwanie zatorów”). Wyłącznik automatycznie zresetuje się po ponownym włączeniu odkurzacza.

### Wymiana akumulatorów

Odkurzacz jest wyposażony w wymienny zestaw akumulatorów litowo-jonowych (Li-Ion), który można ładować.

**Ostrzeżenie:** W odkurzaczu stosować wyłącznie zatwierdzone części zamienne. Używanie innych części niż te zatwierdzone przez firmę Hoover, jest niebezpieczne i powoduje utratę gwarancji urządzenia.

**Ostrzeżenie:** Nie próbować otwierać lub samodzielnie naprawiać zestawu akumulatorów.

1. Nacisnąć przycisk zwalniania akumulatora. Akumulator zostanie automatycznie wyrzucony,
2. Powoli wyjąć akumulator z odkurzacza.
3. Wyjąć stary zestaw akumulatorów i wymienić na nowy.
4. Akumulatory należy utylizować w sposób bezpieczny dla środowiska. Zużyte akumulatory należy przekazać do recyklingu. Nie należy ich wyrzucać ze śmieciami domowymi.

### Utylizacja akumulatorów po zakończeniu eksploatacji urządzenia

Jeżeli urządzenie jest likwidowane, należy z niego usunąć akumulatory. Zużyte akumulatory należy przekazać do recyklingu. Nie należy ich wyrzucać ze śmieciami domowymi.

**WAŻNE:** Przed usunięciem należy całkowicie rozładować akumulatory.

1. Włączyć odkurzacz i pozwolić, aby pracował aż do pełnego wyczerpania akumulatorów.
2. Nacisnąć przycisk zwalniania akumulatora. Akumulator zostanie automatycznie wyrzucony,
3. Powoli wyjąć akumulator z odkurzacza.
4. Wyjąć akumulatory z odkurzacza.

**Uwaga:** W razie napotkania jakichkolwiek problemów z demontażem jednostki lub w razie konieczności uzyskania dodatkowych informacji na temat sposobu utylizacji, złomowania i recyklingu urządzenia należy skontaktować się z lokalnym urzędem gminy lub komunalnym zakładem utylizacji odpadów.

## AKCESORIA I KOŃCÓWKI

Końcówka do szczelin\*, końcówka do mebli\* i szczotka do kurzu\* są przechowywane w urządzeniu, pod pokrywą schowka na akcesoria. Wszystkie akcesoria mogą zostać zamocowane na uchwycie lub końcu rury teleskopowej. [20]

- **Ssawka szczelinowa\*** – Do odkurzania kątów i innych trudno dostępnych miejsc. [V1]
- **Szczotka do kurzu\*** – Do pótek z książkami, ram obrazów, klawiatur i innych delikatnych miejsc. [V2]
- **Szczotka do mebli\*** – Do miękkich mebli i tkanin. [V3]
- **Szczotka do parkietów\*** – Do parkietów i innych delikatnych powierzchni podłogowych. [W]

## LISTA KONTROLNA UŻYTKOWNIKA

W razie wystąpienia problemu z urządzeniem należy skorzystać z poniższej prostej listy kontrolnej użytkownika przed skontaktowaniem się z lokalnym serwisem firmy HOOVER.

- Czy gniazdko, do którego podłączono odkurzacz, jest pod napięciem? Sprawdzić, czy odkurzacz jest naładowany.
- Czy worek na kurz jest przepelniony? Zobacz rozdział „Konserwacja odkurzacza”.
- Czy filtr jest niedrożny? Zobacz rozdział „Konserwacja odkurzacza”.
- Czy wąż lub szczotki są zatkane? Zobacz rozdział „Usuwanie niedrożności z układu”.
- Czy odkurzacz się nie włącza? Proszę sprawdzić, czy akumulator jest naładowany.
- Czy akumulator nie może się naładować?
- Może to wynikać z bardzo długiego przestoju (ponad rok). Skontaktować się z centrum serwisowym firmy Hoover, aby zlecić wymianę akumulatorów. Zobacz rozdział „Wymiana akumulatora”

**UWAGA:** Prawidłowe napięcie zasilania ładowarki to od 19 V do 22 V, a natężenie prądu to 1 A do 2 A.

## WAŻNE INFORMACJE

### Części zapasowe i materiały eksploatacyjne firmy HOOVER

Należy zawsze stosować oryginalne części zapasowe firmy HOOVER. Można je nabyć u lokalnego dealera firmy HOOVER lub bezpośrednio w firmie Hoover. Przy zamawianiu części zawsze należy podać numer danego modelu.

- Akumulator: BAT18VLI 39800040

### Jakość

FABRYKI firmy Hoover zostały poddane niezależnej kontroli pod kątem jakości. Nasze produkty zostały wytworzone z wykorzystaniem systemu jakości zgodnego z wymogami normy ISO 9001.

### Gwarancja

Warunki gwarancji na niniejsze urządzenie są określone przez naszego przedstawiciela w kraju, w którym urządzenie jest sprzedawane. Szczegółowe informacje na temat warunków gwarancji można uzyskać w punkcie, w którym urządzenie zostało nabyte. Przy zgłaszaniu wszelkich roszczeń w ramach gwarancji należy przedstawić dowód sprzedaży lub pokwitowanie.

**WAŻNE:** Bateria w tym odkurzaczu jest objęta gwarancją przez 2 lata od daty zakupu. Po okresie 2 lat użytkownik jest odpowiedzialny za zapewnienie nowej baterii.

Zastrzegamy sobie możliwość wprowadzania zmian bez wcześniejszego powiadomienia.



## NÁVOD K BEZPEČNÉMU POUŽITÍ

Tento vysavač by měl být používán pouze pro úklid domácnosti a v souladu s touto uživatelskou příručkou. Než začnete spotřebič používat, ujistěte se, že rozumíte tomuto návodu.

Nenechávejte zařízení zapnuté v zásuvce. Před čištěním nebo jakoukoli údržbou zařízení vždy vypněte a síťovou šňůru vytáhněte ze zásuvky.

Tento přístroj smí používat děti od 8 let výše a osoby se sníženými fyzickými, smyslovými nebo mentálními schopnostmi nebo s nedostatkem zkušeností a znalostí, pokud jsou pod dohledem nebo jim byly dány pokyny týkající se bezpečného používání tohoto přístroje a byly seznámeny s možnými riziky jeho používání. S přístrojem se nesmí hrát děti. Čištění a údržbu nesmí provádět děti bez dohledu.

Jestliže je poškozena síťová šňůra, okamžitě přestaňte zařízení používat. Abyste se vyhnuli ohrožení bezpečnosti, napájecí kabel musí být vyměněn autorizovaným technikem společnosti HOOVER.

Udržujte dostatečnou vzdálenost rukou, nohou, volného oděvu a vlasů z dosahu otočných kartáčů.

Pro dobíjení používejte pouze nabíječku dodanou se zařízením.

Zkontrolujte, zda údaje na štítku nabíječky odpovídají hodnotám síťového napětí.

Tento vysavač společnosti Hoover je vybaven dvojitě odizolovanou nabíjecí baterií, která je vhodná k zapojení pouze do zástrčky 230V (UK 240V).

Zapojte nabíječku do vhodné zásuvky a konektor nabíječky připojte k vhodnému výstupu na vysavači.

Před prvním použitím nabíjejte baterii alespoň 5,5 hodiny.

Chcete-li baterii nabít, odpojte jej od vysavače stisknutím uvolňovacího pedálu baterie a zapojte nabíječku do nabíjecího portu na baterii.

Baterii můžete nabíjet také ve vysavači. [5]

Ujistěte se, že je vysavač při nabíjení vypnutý.

Když je připojená nabíječka, rozsvítí se kontrolka LED na baterii a s nabíjením se budou postupně rozsvěcovat všechny 4 body.

Po úplném nabití zůstanou všechny 4 body kontrolky LED svítit a po 5 minutách se zhasnou.

Po použití znovu připojte přístroj k nabíječce k dobíjení baterie.

Nikdy nenabíjejte baterie při teplotě vyšší než 45°C nebo nižší než 0°C.

Je běžné, že při nabíjení se nabíječka zahřívá. Při nabíjení se kontrolka automaticky zhasne.

Nevytahujte nabíječku ze zásuvky taháním za síťový kabel.

V případě delší nepřítomnosti (dovolená apod.) nabíječku odpojte. Přístroj před použitím znovu dobijte, protože baterie by se při delší době skladování mohly vybit samy.

Před likvidací vysavače z něj nejprve vyjměte baterie. Před odstraněním baterie se ujistěte, že výrobek je odpojen od elektrické sítě. Zlikvidujte baterie bezpečně a ekologicky. Používejte zařízení dokud baterie nejsou naprosto vybité. Použité baterie by měly být přijaté do recyklační stanice a nesmějí být vyhazované dohromady s domovním odpadem. Pro vyjmutí baterií prosím kontaktujte Zákaznické servisní středisko Hoover, které najdete na internetových stránkách [www.candy-hoover.cz](http://www.candy-hoover.cz) nebo postupujte podle následujících pokynů:

**DŮLEŽITÉ UPOZORNĚNÍ:** Před vyjmutím je nutno baterii zcela vybit.

Nechte vysavač zapnutý, dokud nebudou baterie zcela vybité.

Odpojte nabíječku od spotřebiče.

Stiskněte tlačítko uvolnění baterie a baterii vyndejte. [5]

Opatrně baterii vytáhněte. [5]

**POZNÁMKA:** Budete-li mít při demontáži jednotky jakékoli problémy nebo budete-li požadovat podrobnější informace o manipulaci, využití a recyklaci tohoto výrobku, kontaktujte prosím místní úřad nebo středisko sběrných surovin.

Nenahrazujte baterie jinými, které nelze dobíjet.

Používejte výhradně příslušenství, spotřební materiál a náhradní díly doporučené nebo dodávané firmou HOOVER.

**Statická elektřina:** Při čištění některých koberců vzniká malé množství statické elektřiny. Výboje statické elektřiny neohrožují zdraví.

Nepoužívejte Vaše zařízení venku, nebo na mokré povrchy a na mokrá vysávání.

Nevysávejte tvrdé nebo ostré předměty, zápalky, žhavý popel, cigaretové nedopalky a podobné předměty.

Nestříkejte nebo nevysávejte hořlavé kapaliny, čisticí tekutiny, aerosoly nebo jejich výpary.

Během použití zařízení nepřejíždějte přes síťovou šňůru a nevytahujte síťový kabel ze zásuvky taháním za šňůru.

Nepoužívejte zařízení, pokud Vám připadá vadné.

**Servis HOOVER:** Pro zajištění vždy bezpečné a efektivní práce s přístrojem doporučujeme, aby jakékoliv servisní práce

nebo opravy prováděl pouze autorizovaný servisní pracovník společnosti Hoover.

Během použití zařízení nestůjte na síťové šňůře ani si ji neovíjete kolem paží či nohou.

Nepoužívejte zařízení pro čištění zvířat a osob.

Při úklidu schodů nestavte zařízení na vyšší schod, než se nacházíte vy.

#### Životní prostředí

Symbol na tomto zařízení označuje, že tento výrobek nesmí být likvidován jako domovní odpad. Zařízení musí být předáno do příslušného sběrného místa pro likvidaci elektrických a elektronických zařízení. Likvidace musí proběhnout v souladu s místními ekologickými předpisy pro likvidaci odpadu. Pro další podrobné informace o zacházení, regeneraci a likvidaci tohoto zařízení prosím kontaktujte Váš místní úřad, společnost pro sběr odpadu nebo obchod, kde jste jej zakoupili.



**CE** Tento spotřebič je v souladu s evropskými směrnicemi 2014/35/EU, 2014/30/EU a 2011/65/EU.

CANDY HOOVER GROUP S.r.l. Via Privata Eden Fumagalli, 20861 Brugherio (MB) Italy

## SEZNAMTE SE S VAŠÍM VYSAVAČEM

- |                                     |                                     |
|-------------------------------------|-------------------------------------|
| A. Dvířka k příslušenství           | M. Hlavní hubice**                  |
| B1. Držadlo hadice*                 | N. Hubice na koberce a podlahy*     |
| B2. Držák rukojeti*                 | O. Pedál uvolnění baterie           |
| B3. Držák na hadice*                | P. Baterie                          |
| C. Ovladač výkonu*                  | P1. Kontrolka LED nabití baterie    |
| D. Kryt sáčku                       | P2. Tlačítko stavu nabíjení baterie |
| E. Západka dvířek k sáčku           | P3. Otvor pro dobíjení              |
| F. Pedál zapnutí/vypnutí            | Q. Nabíjecí základna                |
| G. Kontrolka naplnění sáčku         | R. Sáček                            |
| H. Západka dvířek k příslušenství   | S. Výstupní filtr                   |
| I. Regulátor sání                   | T. Vstupní filtr                    |
| J. Hadice                           | U. Držák na sáček                   |
| K. Teleskopická trubka**            | V1. Štěrbínový nástavec*            |
| Ka. Západka teleskopické trubice*   | V2. Prachový kartáč*                |
| Kb. Nastavení teleskopické trubky** | V3. Hubice na čištění nábytku*      |
| L. Západka hubice*                  | W. Parketová hubice*                |

## SEZNAMTE SE S VAŠÍM VYSAVAČEM

Vybalte všechny díly vysavače.

1. Připojte hadici k hlavnímu tělu vysavače. Pro uvolnění hadice: jednoduše stiskněte dvě západky na hadici a zatáhněte za ni. [1]
2. Připojte držadlo k hornímu konci trubice. [2]
3. Připojte spodní konec trubice k hubici na tvrdé podlahy\*\* nebo k příslušenství. [3]
4. Vložte baterii tak, že ji zatlačíte do otvoru ve vysavači a zajistíte ji na místě, po dosednutí uslyšíte cvaknutí. [4] Chcete-li vyjmout baterii, stiskněte pedál uvolnění baterie na vysavači a vyjměte ji.

## DOBÍJENÍ A POUŽITÍ BATERIE

Před prvním použitím nabíjete baterii alespoň 5,5 hodiny.

Chcete-li baterii nabít, odpojte ji od vysavače stisknutím uvolňovacího pedálu baterie [5a] a zapojte nabíječku do nabíjecího otvoru na baterii. Baterii můžete nabíjet také ve vysavači. [5b]

Když je připojená nabíječka, rozsvítí se kontrolka LED na baterii a s nabíjením se budou postupně rozsvěcovat všechny 4 body.

Po úplném nabití zůstanou všechny 4 body kontrolky LED svítit a po 5 minutách se zhasnou.

**DŮLEŽITÉ UPOZORNĚNÍ:** Při nabíjení musí být spínač vysavače v poloze vypnuto.

### LED KONTROLKA NABITÍ BATERIE:

- <15%, bliká
- 15%~25%
- 26%~50%
- 51%~75%
- 76%~100%

**DŮLEŽITÉ UPOZORNĚNÍ:** Před použitím musí být baterie dostatečně nabitá. Pokud bliká pouze jedna dioda LED (zbývá méně než 15 %), dobijte vysavač.

Při používání vysavače se rozsvítí kontrolka stavu baterie a ukazuje zbývající kapacitu baterie.

Když je úroveň nabití baterie přibližně 20%, zazní 3 pípnutí signalizující, že baterie je skoro vyčerpaná. Není-li baterie dobitá, po několika minutách se čistič automaticky vypne. Pokud je úroveň nabití baterie pod 15 %, první LED kontrolka bude blikat 5 sekund, než se zařízení automaticky vypne.

Pokud se vysavač nepoužívá, můžete kontrolovat kapacitu baterie stisknutím tlačítka stavu nabíjení baterie (P2). Kontrolka LED bude svítit 5 sekund.

### DŮLEŽITÉ UPOZORNĚNÍ:

1. Používejte pouze nabíječku dodávanou s vysavačem.
2. Teplota při nabíjení: 0~45°C.
3. Při nabíjení se kontrolka automaticky zhasne.
4. Je běžné, že při nabíjení se nabíječka zahřívá.
5. V případě delší nepřítomnosti (dovolená apod.) nabíječku odpojte.

**POZNÁMKA:** Chcete-li optimalizovat výkon baterie, měli byste baterii pravidelně nebo alespoň jednou za rok plně nabít.

## JAK POUŽÍVAT VYSAVAČ

1. Nastavte teleskopickou trubici do požadované výšky přesunutím seřizovacího tlačítka teleskopické\*\* trubice a držadlo posuňte nahoru nebo dolů do polohy nejpohodlnější pro vysávání.. [6]
2. Připojte spodní konec teleskopické trubice k hlavní hubici \*\* nebo k příslušenství, je-li to vyžadováno. Je-li model vybavený hubicí na koberce a podlahy\*\*, sešlápněte pedál\* na hubici a zvolte vhodný režim čištění: [7]  
**Tvrdá podlaha** – Štětiny jsou vysunuté, aby nedošlo k poškrábání podlahy.  
**Koberec** – Štětiny jsou zasunuté, aby bylo zajištěno účinné čištění.

### Hubice na koberce a podlahy\*:

- **Čištění tvrdých podlah:** Pomocí pedálu na hubici přepněte na režim tvrdé podlahy

\*Pouze u některých modelů \*\*Může se lišit podle modelu

a upravte posuvník na hubici na VŠECHNY PODLAHY. V této poloze jsou štětiny, kolečka i stírací lišta vysunuty, aby nedošlo k poškrábání tvrdé podlahy. [8a]

- **Čištění běžných koberců:** Pomocí pedálu na hubici přepněte na režim koberec a upravte posuvník na hubici na VŠECHNY PODLAHY. V této poloze jsou štětiny a stírací lišta zasunuty a kolečka jsou vysunuta, aby byl zajištěn bezproblémový pohyb po podlaze. [8b]

- **Hlubkové čištění koberců:** Pomocí pedálu na hubici přepněte na režim koberec a upravte posuvník na hubici na HLOUBKOVÉ ČIŠTĚNÍ KOBERCŮ. V této poloze jsou štětiny, stírací lišta i kolečka zasunuty, aby bylo zajištěno hlubkové čištění vašeho koberec. [8c]

**VAROVÁNÍ: Abyste nepoškrábali dřevěné podlahy, nedoporučujeme kombinaci pedálu v poloze pro tvrdé podlahy a posuvník v poloze pro hlubkové čištění.**

3. Zapněte čistič stlačením pedálu Zap/Vyp na hlavní části čističe.
4. Posouvejte regulátor příkonu ke zvýšení nebo snížení stupně sání. [9]
5. Posuňte regulátor sání do požadované polohy.
6. Po ukončení čištění vypněte čistič stlačením pedálu Zap/Vyp.

## PARKOVACÍ A SKLADOVACÍ POZICE

1. Pro uskladnění nebo dočasné uložení v případě používání, lze trubici uložit na zadní nebo spodní část čističe. [10]
2. Když hadice, trubky a hubice nejsou používány, mohou být uloženy v pozici "Nano Pack™": [11]
  - A. Teleskopickou trubici zasuňte na její skladovací délku.
  - B. Z konce teleskopické trubky sundejte hubici.
  - C. Odpojte madlo hadice z teleskopické trubky.
  - D. Zvedněte držák hadice na zadní části čističe a oviňte ohebnou trubici kolem výrobku.
  - E. Uložte držák hadice na výrobku prostřednictvím držáku rukojeti.
  - F. Hubici složte do parkovacího otvoru pod výrobkem.
  - G. Teleskopickou trubici složte do zbývajících parkovacích štěrbin pod výrobkem.

## ÚDRŽBA VYSAVAČE

### Výměna sáčku na prach

Pokud je indikátor kontroly sáčku červený, proveďte kontrolu a v případě nutnosti vyměňte sáček.

1. Zdvihněte západku dvířek k sáčku, uzavřete sáček utažením jazyku, aby se prach nevysypal a odstraňte sáček [12]. <b style="background-color: rgb(239, 239, 239);"> Plný sáček prachu je nutné vhodit do odpadní nádoby správným a opatrným způsobem.
2. Složte nový sáček dle vyobrazení a instalujte do vsunutím límce do držáku sáčku. [13]
3. Zavřete dvířka k sáčku.

**UPOZORNĚNÍ:** Indikátor kontroly sáčku může svítit červeně i v případě, že je sací systém ucpaný. V případě potřeby čtěte „Odstranění překážky ze systému“.

### Čištění filtru:

Chcete-li zachovat optimální výkonnost vysavače, vyperte vždy po pěti výměnách sáčku vstupní filtr.

#### Čištění vstupního filtru:

1. Zdvihněte západku dvířek k sáčku k jejich otevření.
2. Pro odstranění filtru před motorem vysuňte rám filtru z vysavače. [14]
3. Vyjměte filtr z rámu. [14]
4. Ručně umyjte ve vlažné vodě a před vrácením do vysavače nechte úplně vysušit. [16,17,18]

#### Čištění výstupního filtru:

1. K odstranění výfukového filtru, otevřete dvířka k sáčku a vyjměte sáček na prach. [15]
2. Ručně umyjte filtr ve vlažné vodě a před vrácením do vysavače jej nechte úplně vysušit. [16,17,19]

**UPOZORNĚNÍ:** Nepoužívejte horkou vodu nebo mycí prostředky. V případě, že dojde k tak nepravděpodobné události jako je poškození filtru, použijte originální náhradní filtr Hoover. Nepoužívejte vysavač bez sáčku na prach nebo filtru.

### Čištění trvalého tkaninového sáčku na prach\* (pouze u některých modelů)

Chcete-li zachovat optimální výkon, doporučujeme umýt stálý hadříkový prachový sáček pod teplou vodou po každých 5ti naplnění. Odstraňte přebytečnou vodu z filtru a před opětovným vložením nechte úplně vyschnout.

### Odstranění překážky ze sacího systému

Pokud je indikátor kontroly naplnění červený:

1. Zkontrolujte, zda je sáček plný. Pokud ano, viz část „Výměna sáčku na prach“.
2. Není-li plný, postupujte následujícím způsobem:
  - A. Je třeba vyčistit filtry? Pokud ano, viz část „Čištění filtru“.
  - B. Zkontrolujte, zda není v systému jiná překážka - K odstranění překážky v teleskopické trubici nebo pružné hadici použijte tyč nebo hůl.

**VAROVÁNÍ\*:** - Indikátor kontroly sáčku na prach se rozsvítí červeně, je-li sáček plný, je-li systém ucpaný nebo jsou-li filtry zanesené. Budete-li používat čistič, ačkoli indikátor kontroly sáčku na prach svítí červeně, tepelná pojistka vypne čistič, aby nedošlo k jeho přehřátí. Pokud k tomu dojde, vypněte čistič, odpojte ho od sítě a odstraňte závadu (viz. „Odstranění překážky“). Tepelná pojistka se opět automaticky vypne po opětovném zapnutí vysavače.

### Výměna baterie

Součástí vysavače je vyměnitelná dobíjecí Lithium-iontová baterie.

**VAROVÁNÍ:** Pro svůj vysavač používejte pouze schválené náhradní díly. Používání dílů neschválených firmou Hoover je nebezpečné a přicházíte tím o záruku.

**VAROVÁNÍ:** Nepokoušejte se sami rozmontovat nebo opravit baterii.

1. Stiskněte tlačítko uvolnění baterie a baterie automaticky vyskočí ven.
2. Opatrně baterii vytáhněte.
3. Vyjměte starou baterii a nahraďte ji novou baterií.

4. Zlikvidujte baterie bezpečně a ekologicky. Použité baterie by měly být přijaté do recyklační stanice a nesmějí být vyhazované dohromady s domovním odpadem.

#### Likvidace baterií na konci jejich životnosti

Když hodláte vysavač zlikvidovat, musíte vyjmout baterie. Použité baterie by měly být přijaté do recyklační stanice a nesmějí být vyhazované dohromady s domovním odpadem.

**DŮLEŽITÉ UPOZORNĚNÍ:** Před vyjmutím je nutno baterii zcela vybit.

1. Nechte vysavač zapnutý, dokud nebudou baterie zcela vybité.
2. Stiskněte tlačítko uvolnění baterie a baterie automaticky vyskočí ven.
3. Opatrně baterii vytáhněte.
4. Vyjměte baterie z vysavače.

**Poznámka:** Budete-li mít při demontáži vysavače jakékoli problémy nebo budete-li požadovat podrobnější informace o zpětném odběru, zhodnocení a recyklaci tohoto produktu, kontaktujte prosím místní úřad nebo středisko sběrných surovin.

## NÁSTAVCE A PŘÍSLUŠENSTVÍ

Štěrbínový nástavec\*, hubice na nábytek\*, kartáč na prach\* jsou uloženy v prostoru pod dvířkami k příslušenství. Veškerá příslušenství lze upevnit na držadlo nebo na konec teleskopické trubice. [20]

- **Štěrbínový nástavec\*** – Na rohy a obtížně přístupná místa. [V1]
- **Prachový kartáč\*** – Pro šetrné čištění knihoven, rámu, klávesnic apod. [V2]
- **Hubice na čištění nábytku\*** – Pro šetrné čištění nábytku a tkanin. [V3]
- **Parketová hubice\*** – Pro parketové podlahy a jiné citlivé podlahy. [W]

## KONTROLNÍ SEZNAM UŽIVATELE

Pokud máte jakýkoli problém s výrobkem, proveďte kontrolu podle tohoto seznamu, než se obrátíte na autorizovaný servis Hoover.

- Funguje správně elektrická zásuvka, k níž je připojen vysavač? Zkontrolujte, zda je nabitý
- Není nádoba na prach plná? Viz „Údržba vysavače“.
- Není ucpaný filtr? Viz „Údržba vysavače“.
- Není ucpaná hadice nebo hubice? Viz „Odstranění překážky ze systému“.
- Vysavač se nechce zapnout? Zkontrolujte, jestli je nabitá baterie.
- Baterie se nenabíjí?
- Může to být důsledkem velmi dlouhého uskladnění (více než jeden rok). Kontaktuje zákaznické servisní středisko Hoover a dojednejte si výměnu baterií. Viz „Výměna baterie“.

**POZNÁMKA:** Správné napětí nabíječky je od 19 V do 22 V a nabíjecí proud je od 1 A do 2 A.

## DŮLEŽITÉ INFORMACE

### Náhradní díly a spotřební materiály HOOVER

Vždy používejte originální náhradní díly společnosti HOOVER. Jsou k dispozici u místního prodejce výrobků HOOVER nebo přímo u společnosti Hoover. V objednávce dílů laskavě vždy uvádějte číslo modelu.

- Baterie: BAT18VLI 39800040

### Kvalita

KVALITA výroby ve výrobních závodech společnosti Hoover byla posouzena nezávislou organizací. Naše výrobky jsou vyráběny podle systému jakosti, který splňuje požadavky ISO 9001.

### Záruka

Záruční podmínky pro tento spotřebič stanovuje náš zástupce v zemi, v níž je spotřebič prodáván. Přesné znění podmínek vám poskytne prodejce, u něhož jste si zařízení zakoupili. Při reklamaci podle těchto záručních podmínek je nutno předložit doklad o koupi nebo převzetí.

**DŮLEŽITÉ UPOZORNĚNÍ:** Záruka na tuto baterii platí 2 roky od zakoupení. Po dvou letech si novou baterii musí zákazník koupit sám.

Právo změny bez předchozího upozornění vyhrazeno.

## NAVODILA ZA VARNO UPORABO

Sesalnik lahko uporabljate le za čiščenje stanovanjskih prostorov, kot je opisano v tem priročniku. Prosimo, da se pred uporabo sesalnika temeljito seznanite s temi navodili.

Sesalnika ne puščajte priključenega na električno omrežje. Po vsaki uporabi ali pred kakršnimi koli vzdrževalnimi deli in čiščenjem naprave sesalnik vedno izklopite in izvlecite vtičač iz električne vtičnice.

Ta aparat lahko uporabljajo otroci, starejši od 8 let, ter osebe z zmanjšanimi telesnimi, zaznavnimi in mentalnimi sposobnostmi ali osebe s pomanjkljivimi izkušnjami in znanjem, če so pod nadzorom ali so bile ustrezno podučene o varni uporabi aparata ter se zavedajo nevarnosti, ki so povezane z njegovo uporabo. Otroci se ne smejo igati z aparatom. Otroci ne smejo čistiti ali vzdrževati aparata brez nadzora.

Če je napajalni kabel poškodovan, nemudoma prenehajte z uporabo sesalnika. Da bi se izognili nevarnosti, mora napajalni kabel zamenjati pooblaščen Hooverjev serviser.

Imejte roke, noge, ohlapna oblačila in lasje proč od vrtljivih krtač.

Uporabljajte le originalni polnilnik, ki je priložen napravi.

Preverite, ali je napajalna napetost enaka tisti, ki je navedena na polnilniku.

Ta Hooverjev aparat je dobavljen z dvojno izoliranim polnilcem baterij, ki je primeren samo za priključitev na 230-V (UK 240V) vtičnico.

Polnilec priključite v ustrezno vtičnico in nato drugi del priključite še na napravo.

Pred prvo uporabo baterijo polnite 5 ur in pol.

Ko želite napolniti baterijo, jo odstranite s sesalnika, in sicer tako, da pritisnete stopalko za sprostitev baterije in polnilnik namestite v odprtino za polnjenje, ki se nahaja na bateriji.

Baterija se lahko polni tudi, ko je nameščena v sesalniku. **[5]**

Med polnjenjem mora biti sesalnik vedno ugasnjen.

Ko je polnilnik nameščen, se lučke LED na bateriji druga za drugo v zaporedju prižigajo in nazadnje svetijo vse štiri.

Ko se baterija napolni, vse štiri lučke LED svetijo še 5 minut in se nato samodejno ugasnejo.

Po uporabi naprave spet priključite polnilnik in tako vnovič napolnite baterijo.

Nikoli ne polnite baterij pri temperaturah višjih od 45°C ali nižjih od 0°C.

Normalno je, da se polnilnik med polnjenjem segreva. Med polnjenjem se sesalnik vedno samodejno ugasne.

Ne izklopite polnilca tako, da povlečete kabel.

Polnilec izklopite v primeru podaljšane odsotnosti (počitnice, itd.). Pred ponovno uporabo spet napolnite baterije, ker se lahko te izpraznijo samodejno, če sesalnika dlje časa ne uporabljate.

Če boste napravo odvrgli, morate najprej odstraniti baterije. Ko želite odstraniti baterije, mora biti naprava izključena iz električnega toka. Baterije odvrzite na varen način. Pustite delovati napravo do konca, da bodo baterije popolnoma prazne. Uporabljene baterije je treba odnesti v enoto za recikliranje in se ne smejo odvreči v gospodinjske smeti. Za odstranitev baterij vas prosimo, da se obrnete na Hooverjev center za kupce ali nadaljujete po sledečih navodilih.

**POMEMBNO:** Pred odstranjevanjem baterije vedno

popolnoma izpraznite.

Sesalnik naj deluje toliko časa, da se baterije do konca izpraznijo.

Vtikač polnilca odstranite iz naprave.

Pritisnite gumb za odstranitev baterije in tako omogočite izstop baterije. [5]

Baterijo počasi odstranite iz reže. [5]

**OPOMBA:** V primeru težav z razstavljanjem naprave ali za podrobnejše informacije o ravnanju z izdelkom, obnovi ali ricikliranju izdelka se obrnite na krajevni urad ali komunalno podjetje za odvoz gospodinjskih odpadkov.

Ne smete zamenjati polnljivih baterij z navadnimi baterijami.

Uporabljajte le priključke, potrošni material ali nadomestne dele, ki jih priporoča ali dobavi podjetje Hoover.

**Statična elektrika:** Določene vrste preprog lahko ustvarijo manjšo količino statične elektrike. Kakršen koli statični električni naboj ne ogroža zdravja.

Sesalnika ne smete uporabljati na prostem, na kakršni koli mokri površini ali za sesanje tekočin.

Ne smete sesati trdih ali ostrih predmetov, vžigalic, vročega pepela, cigaretnih ogorkov ali drugih podobnih snovi.

Ne smete pršiti ali sesati vnetljivih tekočin, čistil, osvežilcev zraka ali njihovih hlapov

Ne smete zapeljati prek napajalnega kabla med uporabo sesalnika ali izvleči vtikača tako, da bi vlekli za kabel.

Ne smete nadaljevati z uporabo sesalnika, če opazite nepravilnosti v delovanju.

**Servis HOOVER:** Za zagotovitev nenehnega varnega in

učinkovitega delovanja naprave priporočamo, da servisiranje ali popravila izvaja le pooblaščen Hooverjev serviser.

Med uporabo sesalnika ne smete stati na kablu ali si ga ovijati okoli rok ali nog.


Ne smete uporabljati sesalnika za čiščenje živali ali ljudi.

Sesalnika ne smete postavljati nad seboj, ko sesate stopnice.

#### Okolje

Simbol na izdelku pomeni, da izdelka ne smete odstraniti kot gospodinjski odpadek. Oddati ga morate na zbirnem mestu za recikliranje električne in elektronske opreme. Odstranitev morate izvesti v skladu s krajevnimi okoljskimi predpisi glede odstranjevanja odpadkov. Za podrobnejše informacije o ravnanju z izdelkom, obnovi in recikliranju izdelka se obrnite na krajevni urad, komunalno podjetje za odvoz gospodinjskih odpadkov ali trgovino, kjer ste izdelek kupili.



 Ta naprava je v skladu z evropskimi direktivami 2014/35/EU, 2014/30/EU in 2011/65/EU.

CANDY HOOVER GROUP S.r.l. Via Privata Eden Fumagalli, 20861 Brugherio (MB) Italy

## SPOZNAJTE SVOJ SESALNIK

- |                                   |                                                          |
|-----------------------------------|----------------------------------------------------------|
| A. Vrata za nastavke              | N. Nastavek za sesanje preprog in tal*                   |
| B1. Držalo za gumijasto cev*      | O. Stopalka za sprostitvev baterije                      |
| B2. Držalo ročaja*                | P. Baterija                                              |
| B3. Držalo za cev*                | P1. Lučke LED - kazalniki stopnje napolnjenosti baterije |
| C. Nastavljiva sesalna moč*       | P2. Gumb stanja napolnjenosi baterije                    |
| D. Vrata za vrečko                | P3. Vhod polnilnika baterije                             |
| E. Zaponka vrat za vrečko         | Q. Polnilec                                              |
| F. Stopalka za vklop/izklop       | R. Vrečka                                                |
| G. Indikator napolnjenosti vrečke | S. Izhodni filter                                        |
| H. Zaponka vrat za nastavke       | T. Filter pred motorjem                                  |
| I. Krmilnik moči sesanja          | U. Držalo za vrečko                                      |
| J. Cev                            | V1. Nastavek za čiščenje rež*                            |
| K. Teleskopska cev**              | V2. Krtača za prah*                                      |
| Ka. Zatič teleskopske cevi*       | V3. Nastavek za pohištvo,*                               |
| Kb. Regulator teleskopske cevi**  | W. Krtača za čiščenje parketa*                           |
| L. Zapah krtače*                  |                                                          |
| M. Glavna krtača.**               |                                                          |

## SPOZNAJTE SVOJ SESALNIK

Iz embalaže odstranite vse sestavne dele.

1. Pritrdite cev na glavno ohišje sesalnika. Za sprostitvev cevi: pritisnite zapaha na cevi in potegnite. [1]
2. Ročaj namestite na zgornji konec cevi. [2]
3. Spodnji del cevi po potrebi povežite s krtačo za trde talne površine\*\* ali z drugim pripomočkom. [3]
4. Baterijo vstavite tako, da jo potisnete v režo sesalnika in preverite, ali je ustrezno nameščena - ko je povsem povezana, zaslišite klik. [4] Če želite odstraniti baterijo, pritisnite stopalko za sprostitvev baterije, ki se nahaja na sesalniku, in izvlecite baterijo.

## POLNJENJE IN UPORABA BATERIJE

Pred prvo uporabo baterijo polnite 5 ur in pol.

Če želite napolniti baterijo, jo odstranite s sesalnika, in sicer tako, da pritisnete stopalko za sprostitvev baterije [5a], ter polnilnik namesite v odprtino, ki se nahaja na bateriji. Baterijo lahko polnite tudi, ko se nahaja v sesalniku. [5b]

Ko je polnilnik nameščen, se lučke LED na bateriji druga za drugo v zaporedju prižigajo in nazadnje svetijo vse štiri.

Ko se baterija napolni, vse štiri lučke LED svetijo še 5 minut in se nato samodejno ugasnejo.

**POMEMBNO:** Stopalka on/off mora biti med polnjenjem baterije vedno nameščena v lego OFF.

### LUČKE LED - KAZALNIKI STOPNJE NAPOLNJENOSTI BATERIJE

- <15%, utripanje
- 15%~25%
- 26%~50%
- 51%~75%
- 76%~100%

**POMEMBNO:** Pred uporabo vedno preverite, ali je stopnja napolnjenosti baterije zadostna.

Če ena lučka LED utripa, napolnite baterijo (stopnja napolnjenosti  $\leq 15\%$ ).

Med uporabo sesalnika lučke LED svetijo in tako sporočajo, kakšna je trenutna stopnja napolnjenosti baterije.

Ko stanje napolnjenosti baterije doseže približno 20% zaslišite tri piske, ki vas opozorijo, da je baterija skoraj povsem prazna. Če baterije ne napolnite, se naprava po nekaj minutah samodejno ugasne.

Ko je stopnja napolnjenosti baterije  $\leq 15\%$ , prva lučka LED 5 sekund utripa, sesalnik pa se nato samodejno ugasne.

Ko sesalnika ne uporabljate, lahko stopnjo napolnjenosti baterije preverite tako, da pritisnete gumb za preverjanje stopnje napolnjenosti baterije (P2). Lučka LED, ki sporoča stanje napolnjenosti baterije, sveti 5 sekund.

### POMEMBNO:

1. Uporabljajte samo polnilnik, ki je priložen vašemu sesalniku.
2. Temperatura pri polnjenju: 0~45°C.
3. Med polnjenjem se sesalnik vedno samodejno ugasne.
4. Normalno je, da se polnilnik med polnjenjem segreva.
5. Polnilec izklopite v primeru podaljšane odsotnosti (počitnice, itd.).

**OPOMBA:** Če želite optimizirati zmogljivost baterije, jo morate redno ali vsaj enkrat letno povsem napolniti.

## UPORABA SESALNIKA

1. Teleskopsko cev namestite na zeleno višino, in sicer tako, da pomaknete regulator\*\* teleskopske cevi in dvignete ali spustite cev do najudobnejše lege. [6]
2. Spodnji del teleskopske cevi po potrebi povežite z glavno krtačo\*\* ali z drugim pripomočkom. Če je vašemu modelu sesalnika priložena tudi krtača za preproge in trde talne površine, pritisnite stopalko za izbiro talne površine\*, ki se nahaja na sami krtači, in tako izberite najustreznejši način čiščenja. [7]

**Trde talne površine** – krtače so spuščene, da ščitijo tla.

\*Le pri določenih modelih \*\*Lahko se razlikuje pri različnih modelih.



**Preproga** – krtače so dvignjene zaradi globljega sesanja.

#### Šoba za preproge in tla\*:

- **Čiščenje trdih talnih površin:** Pritisnite stopalko, ki se nahaja na krtači, in tako izberite način za čiščenje trdih talnih površin, ter drsnik na krtači pomaknite v način ALL FLOORS. V tem primeru so ščetke, kolesa in brisalci spuščeni ter tako trde talne površine ščitijo pred poškodbami. [8a]

- **Čiščenje preprog in predpražnikov:** Pritisnite stopalko na krtači in izberite način za čiščenje preprog ter drsnik na krtači namestite v lego za čiščenje vseh talnih površin (ALL FLOORS). V tem primeru so ščetke in metlice dvignjene, medtem ko so kolesa spuščena, vse to pa omogoča popolno pomikanje po takšni vrsti površine. [8b]

- **Globinsko čiščenje preproge:** Stopalko, ki se nahaja na krtači, namestite v lego za preproge, in drsnik na krtači pomaknite v lego GLOBINSKO ČIŠČENJE PREPROGE (DEEP CARPET CLEANING). V tem primeru so ščetke, kolesa in metlice dvignjeni, to pa omogoča globlje čiščenje vaše preproge. [8c]

**OPOZORILO: Svetujemo, da se izogibate pomikanju po lesenih površinah, ko stopalka ni nameščena v lego za trde površine in je drsnik nameščen v lego za globinsko čiščenje preprog.**

3. Sesalnik vklopite s pritiskom na stopalko za vklop/izklop na osrednjem delu sesalnika.
4. S prestavljanjem premičnega gumba lahko večate ali manjšate moč sesanja. [9]
5. Nastavite krmilnik moči sesanja v zeleni položaj.
6. Po opravljenem delu izklopite s pritiskom na stopalko za vklop/izklop.

## POSTAVITEV IN SHRANJEVANJE

1. Cev lahko postavite na zadnjo ali na spodnjo stran sesalnika v položaj za shranjevanje ali v začasni položaj med uporabo sesalnika. [10]
2. Gumijasto cev, teleskopsko cev in nastavek lahko zložite v položaj za shranjevanje (Nano Pack™), ko jih ne uporabljate\*: [11]
  - A. Cev sklopite do dolžine za shranjevanje.
  - B. Odstranite nastavek s konca teleskopske cevi.
  - C. Odstranite ročaj cevi s teleskopske cevi.
  - D. Dvignite držalo za cev na zadnjem delu sesalnika in ovijte gibljivo cev okoli naprave.
  - E. Pritrdite ročaj cevi na napravo skozi držalo za ročaj.
  - F. Namestite nasatvek v režo za pritrditev, ki je na spodnji strani naprave.
  - G. Namestite teleskopsko cev v drugo režo za pritrditev, ki je na spodnji strani naprave.

## VZDRŽEVANJE SESALNIKA

### Zamenjava vrečke za prah

Če se indikator napolnjenosti obarva rdeče, prosimo preverite in po potrebi zamenjajte vrečko za prah.

1. Dvignite zaponko vrat za vrečko in odprite vrata. Da bi se izognili prahu, povlecite za jeziček in zaprite vrečko, nato jo odstranite [12]. Polno vrečko s prahom previdno odvrzite v smeti.
2. Prepognite novo vrečko kot je prikazano, jo pritrdite na nastavek in vstavite v držalo vrečke. [13]
3. Zaprite vrata za vrečko.

**NE POZABITE:** Indikator napolnjenosti vrečke bo rdeč tudi, če je prišlo do zamašitve. V tem primeru si oglejte 'Odpravljanje zamašitve'.

### Čiščenje filtra:

Da bi ohranili optimalno delovanje sesalnika, vas prosimo, da filter pred motorjem ter filter izpuha operete po petih zamenjanih vrečkah.

### Čiščenje pralnega filtra pred motorjem:

1. Dvignite zaponko vrat za vrečko in odprite vrata.
2. Za odstranjevanje filtra pred motorjem izvlecite ohišje filtra iz sesalnika. [14]
3. Ločite filter od objemke. [14]
4. Operite ga v mlačni vodi in počakajte, da se povsem posuši, preden ga namestite nazaj v sesalnik. [16,17,18]

### Čiščenje izpušnega filtra:

1. Izhodni filter odstranite tako, da odprete vrata za vrečko in filter vzamete ven. [15]
2. Filter operite z mlačno vodo in pustite, da se povsem posuši, ter ga šele nato spet namestite v sesalnik. [16,17,19]

**NE POZABITE:** Ne uporabljajte vroče vode ali čistil. Če bi se filtri slučajno poškodovani, jih zamenjajte z originalnimi filtri za sesalnik Hoover. Sesalnika ne uporabljajte brez vrečke za prah ali nameščenega filtra.

### Čiščenje platnene trajne vrečke za prah\* (le pri določenih modelih)

Za vzdrževanje optimalnega delovanja sesalnika priporočamo, po 5 praznjenjih trajno vrečko za prah operete ročno v mlačni vodi. Odstranite odvečno vodo in pustite, da se element povsem posuši, ter ga šele nato spet namestite v sesalnik.

### Odpravljanje zamašitve

Če je indikator napolnjenosti vrečke rdeč:

1. Preverite, ali je vrečka za prah polna. Če je, potem si oglejte 'Zamenjava vrečke za prah'.
2. Če ni polna, potem;
  - A. Je treba očistiti filtre? Če je, potem si oglejte 'Čiščenje filtrov'.
  - B. Preverite, ali je sistem zamašen še na kakšnem drugem mestu. - Uporabite drog ali palico, da odstranite morebitno oviro iz teleskopske ali gibljive cevi.

**OPOZORILO\*:** - Indikator napolnjenosti vrečke bo svetil rdeče, če uporabljate sesalnik, ko je vrečka polna, če je prišlo do zamašitve ali če so filtri umazani. Če uporabljate sesalnik več kot 10 minut, medtem ko indikator napolnjenosti vrečke sveti rdeče, se bo sesalnik samodejno izklopil in tako preprečil pregrevanje. Če pride do tega, sesalnik izklopite, izključite iz napajanja in odpravite težavo (glejte 'Odpravljanje zamašitve'). Ko sesalnik ponovno vklopite, se izklop samodejno ponastavi.

### Zamenjava baterije

Sesalnik vsebuje litij-ionsko baterijo, ki jo je mogoče napolniti in tudi nadomestiti.

**OPOZORILO:** Za svoj sesalnik uporabite samo odobrene nadomestne dele. Uporaba delov, ki jih Hoover ne priporoča, je nevarna in bo razveljavila garancijo.

**OPOZORILO:** Ne poskušajte sami odpreti in popraviti baterije.

1. Pritisnite gumb za sprostitev baterije in baterija bo samodejno izstopila.
2. Baterijo počasi odstranite s sesalnika.
3. Odstranite staro baterijo in jo nadomestite z novo.
4. Baterije odvrzite na varen način. Uporabljene baterije je treba odnesti v enoto za recikliranje in se ne smejo odvreči v gospodinjske smeti.

#### Konec življenjske dobe izdelka Baterije Odstranitev

Če se sesalnik zavrže, je treba odstraniti baterije. Uporabljene baterije je treba odnesti v enoto za recikliranje in se ne smejo odvreči v gospodinjske smeti.

**POMEMBNO:** Pred odstranjevanjem baterije vedno popolnoma izpraznite.

1. Sesalnik naj deluje toliko časa, da se baterije do konca izpraznijo.
2. Pritisnite gumb za sprostitev baterije in baterija bo samodejno izstopila.
3. Baterijo počasi odstranite s sesalnika.
4. Odstranite baterije s sesalnika.

**Opomba:** Če bi imeli kakršne koli težave pri demontiranju enote ali če potrebujete bolj podrobne informacije o ravnanju, povračilu in recikliranju tega izdelka, vas prosimo, da kontaktirate vašo lokalno mestno pisarno ali center za odstranjevanje gospodinjskih odpadkov.

## DODATNI PRIKLJUČKI IN NASTAVKI

Nastavek za čiščenje rež\*, nastavek za pohišstvo\* in krtača za prah\* so shranjeni na sesalniku, pod vrati za nastavke. Mogoče jih je namestiti na ročaj ali na konec teleskopske cevi. [20]

- **Nastavek za čiščenje rež\*** – za čiščenje kotov in težko dostopnih predelov. [V1]
- **Krtača za prah\*** – za knjižne police, okvirje slik, tipkovnice in druge občutljive površine. [V2]
- **Nastavek za pohišstvo,\*** – za mehkejšo opremo in materijale. [V3]
- **Krtača za čiščenje parketa\*** – Za parketna tla in druga občutljiva tla. [W]

## KONTROLNI SEZNAM ZA UPORABNIKA

V primeru morebitnih težav z izdelkom, izpolnite sledeči obrazec preden pokličete krajevni Hooverjev servis.

- Je sesalnik vključen v delujoče električno omrežje? Preverite, če je sesalnik napolnjen.
- Je vrečka za prah preveč napolnjena? Oglejte si 'Vzdrževanje sesalnika'.
- Je zamašen filter? Oglejte si 'Vzdrževanje sesalnika'.
- Je blokirana cev ali priključek? Oglejte si 'Odpravljanje zamašitve'.
- Se sesalnik ne prižge? Preverite, ali je baterija polna.
- Ne morete napolniti baterije?

- To je lahko posledica daljšega obdobja neuporabe (več kot eno leto). Kontaktirajte Hooverjev servis za stranke, da se dogovorite za zamenjavo baterij. Glejte poglavje "Nadomestitev baterije".

**OPOMBA:** Ustrezna napetost polnilnika znaša od 19 V do 22 V in tok polnjenja je 1A do 2A.

## POMEMBNE INFORMACIJE

### Nadomestni deli in potršni material Hoover

Vedno uporabljajte originalne nadomestne dele Hoover. Dobite jih pri krajevnem prodajalcu Hooverjevih izdelkov ali neposredno pri podjetju Hoover. Pri naročanju delov vedno navedite številko modela.

- Baterija: BAT18VLI 39800040

### Kakovost

HOOVERJeve tovarne so bile predmet neodvisnega ocenjevanja kakovosti. Naši izdelki so narejeni s pomočjo sistema kakovosti, ki izpolnjuje zahteve standarda ISO 9001.

### Vaša garancija

Garancijski pogoji za to napravo so taki, kot jih določi zastopnik v državi, kjer je naprava prodana. Podrobnosti glede garancijskih pogojev lahko dobite od prodajalca, pri katerem ste napravo kupili. Če želite uveljavljati kakršno koli garancijo, potrebujete potrdilo o nakupu ali račun.

**POMEMBNO:** Baterija tega sesalnika ima dveletno garancijo, ta pa stopi v veljavo na dan nakupa. Po dveh letih je stranka sama odgovorna za nakup in plačilo nove baterije.

Garancija se lahko spreminja brez predhodnega obvestila.

## GÜVENLİ KULLANIM TALİMATLARI

Bu ürün kullanım kılavuzunda belirtildiği gibi yalnızca ev temizliği için kullanılmalıdır. Lütfen ürünü kullanmadan önce bu kılavuzun tam olarak anlaşıldığından emin olun.

Süpürgeci fişini prize takılı bırakmayın. Cihazı kullanmadan veya temizlemeden önce ya da herhangi bir bakım işleminden önce daima kapalı konuma getirin ve fişi prizden çekin.

Bu cihaz 8 yaş ve üzeri çocuklar ve yetersiz fiziksel, duyuşal veya zihinsel kabiliyete sahip kişiler ya da deneyim ve bilgi yoksunu kişiler tarafından bir yetişkinin gözetiminde veya cihazın güvenli bir şekilde kullanımı ile ilgili talimatı ve bulunan tehlikelerin açıkça anlatılması ile kullanılabilir. Çocuklar cihaz ile oynamamalıdır. Temizleme ve bakım işlemi denetimsiz şekilde çocuklar tarafından yapılmamalıdır.

Güç kablosu hasar görürse cihazı kullanmayı derhal bırakın. Güvenliğin riske atılmaması için, elektrik kablosu mutlaka yetkili HOOVER servis teknisyeni tarafından değiştirilmelidir.

Ellerinizi, ayaklarınızı, bol giysileri ve saçlarınızı dönen fırçalardan uzak tutun.

Yalnızca cihazla birlikte verilen şarj aletini kullanın.

Besleme voltajının şarj aleti üzerinde belirtilen değerle aynı olup olmadığını kontrol edin.

Bu Hoover ev aleti sadece 230V (İngiltere: 240V) prize takılması uygun olan çift izolasyonlu bir batarya şarj cihazıyla verilmektedir.

Şarj cihazını uygun bir prize takın ve şarj aleti jakının prizini cihaza takın.

İlk kullanım için, batarya grubunu 5,5 saat şarj edin.

Batarya grubunu şarj etmek için, batarya grubunu serbest bırakma pedalına basarak süpürgeci ayırın ve şarj cihazını batarya grubunun üzerinde bulunan şarj girişine takın.

Batarya grubu, süpürgeye takılı olduğunda da şarj edilebilir. [5]

Süpürgeci şarj ederken kapalı olduğundan emin olun.

Şarj cihazı bağlandığında, batarya grubu üzerindeki LED ışıkları batarya göstergesi, dört ışığın hepsi yanmaya kadar, batarya şarj oldukça sırayla yanacaktır.

Tamamen şarj olduğunda, dört LED ışığı yanık kalacak ve 5 dakika sonra sönecektir.

Pilleri yeniden şarj etmek için kullanım sonrasında cihazı yeniden şarj cihazına bağlayın.

Pilleri kesinlikle 45°C'nin üzerindeki veya 0°C'nin altındaki sıcaklıklarda şarj etmeyin.

Şarj aletinin şarj olurken ısınması doğaldır. Süpürgeyi şarj ederken, otomatik olarak sönecektir.

Şarj aletinin fişini kablosundan çekerek çıkarmayın.

Uzun süre evde bulunmayacaksanız (tatil vs. gibi nedenlerle) şarj aletini prizden çekin. Uzun süre kullanılmayan elektrikli süpürgeci şarjı kendi kendine bitebileceğinden, yeniden kullanmadan önce süpürgeyi iyice şarj edin.

Cihaz atılacağı zaman, öncelikle piller çıkartılmalıdır. Pil çıkartılırken, cihaz şebeke beslemesinden çıkartılmalıdır. Pilleri güvenli bir şekilde imha edin. Pillerin tamamen boşalması için cihazı durana kadar çalıştırın. Kullanılmış piller bir geri dönüştürme istasyonuna götürülmeli ve evsel atıklarla birlikte atılmamalıdır. Pilleri çıkarmak için, lütfen Hoover Müşteri Merkezi ile temasa geçin veya aşağıdaki talimatlara göre devam edin.

**ÖNEMLİ:** Pilleri çıkarmadan önce daima tamamen boşaltın ve şarj ünitesinin fişten çıkarıldığından emin olun.

Süpürgeyi piller tamamen boşalana kadar çalıştırın.

Şarj cihazı jak fişini cihazdan çıkarın.

Batarya grubunu çıkarmak için bataryayı serbest bırakma düğmesine basın. [5]

Batarya grubunu yavaşça yuvadan çekin. [5]

**NOT:** Birimin parçalarına ayrılması ile ilgili zorluk yaşarsanız ya da cihazın tamiri, onarımı ya da geri dönüşümü ile ilgili daha ayrıntılı bilgiye ihtiyaç duyarsanız lütfen belediyeniz ya da ev atıkları imha hizmetleri ile görüşün.

Pilleri şarj edilemeyen pillerle değiştirmeyin.

Yalnızca HOOVER tarafından önerilen veya sağlanan ek birimleri, sarf malzemelerini ya da yedek parçaları kullanın.

**Statik elektrik:** Bazı halılar statik elektrik oluşuma neden olabilir. Statik elektrik deşarjı sağlığa zararlı değildir.

Cihazınızı dış mekanlarda veya ıslak yüzeylerde ya da ıslak toplama için kullanmayın.

Sert veya keskin nesnelere, kibritleri, sıcak külleri, sigara izmaritleri veya diğer benzeri öğeleri toplamayın.

Yanıcı sıvıları, temizleme sıvılarını, aerosollerini veya spreyleri püskürtmeyin ya da toplamayın.

Cihazı kullanırken güç kablosu üzerine basmayın veya güç kablosundan çekerek prizden çıkarmayın.

Arızalı görünüyorsa cihazınızı kullanmaya devam etmeyin.

**HOOVER servisi:** Cihazın her zaman güvenli ve verimli bir şekilde kullanılabilmesi için, her türlü bakım veya onarım işinin sadece yetkili HOOVER servis teknisyenleri tarafından

yapılmasını öneririz.

Cihazınızı kullanırken kablonun üzerinde durmayın veya kabloyu kolunuza ya da bacaklarınıza sarmayın.

Cihazı hayvanları veya insanları temizlemek için kullanmayın.

Merdivenleri temizlerken cihazı sizden daha yükseğe yerleştirmeyin.

#### Çevre

Bu aygıttaki sembol aygıtı ev atığı gibi işlem yapılamayacağını belirtir. Bunun yerine uygun elektrikli ve elektronik ekipman geri dönüşüm toplama noktasına teslim edilmelidir. İmha, atık imhası için düzenlenen yerel çevre yönetmeliklerine uygun olarak yapılmalıdır. Bu aygıtı ait işlem, kurtarma ve geri dönüşümle ilgili daha ayrıntılı bilgi için, lütfen yerel şehir ofisiniz, ev atığı ve çöp atma servisiniz ya da aygıtı satın aldığınız mağaza ile irtibata geçin.



**CE** Bu cihaz, 2014/35/EU, 2014/30/EU ve 2011/65/EU sayılı Avrupa Direktifleri ile uyumludur.

CANDY HOOVER GROUP S.r.l. Via Privata Eden Fumagalli, 20861 Brugherio (MB) Italy

## SÜPÜRGENİZİN PARÇALARI

- |                                    |                                     |
|------------------------------------|-------------------------------------|
| A. Aksesuar Kapağı                 | M. Ana Başlık**                     |
| B1. Hortum Tutucu*                 | N. Halı & Yer başlığı*              |
| B2. Kol Tutucu*                    | O. Batarya Serbest Bırakma Pedalı   |
| B3. Boru Tutucu*                   | P. Batarya Grubu                    |
| C. Değişken Güç Kumandası*         | P1. LED Işıkları Batarya Göstergesi |
| D. Torba Kapağı                    | P2. Batarya Şarj Durumu Düğmesi     |
| E. Torba Kapağı Mandalı            | P3. Şarj girişi                     |
| F. Açma/Kapama Pedalı              | Q. Şarj Aleti                       |
| G. Torba Kontrol Göstergesi        | R. Çantası                          |
| H. Aksesuar Kapağı Mandalı         | S. Çıkış Filtresi                   |
| I. Emiş Kontrolü                   | T. Ön Motor Filtresi                |
| J. Hortum                          | U. Torba Tutucu                     |
| K. Teleskobik Boru**               | V1. Kenar Köşe Aparatı*             |
| Ka. Teleskopik Boru Mandalı*       | V2. Toz Alma Fırçası*               |
| Kb. Teleskopik Boru Ayarlayıcısı** | V3. Mobilya Başlığı*                |
| L. Başlık Mandalı*                 | W. Parke Başlığı*                   |

## SÜPÜRGENİZİN PARÇALARI

Tüm parçaları ambalajından çıkartın.

- Hortumu süpürge ana gövdesine takın. Hortumu çıkarmak için: hortumun iki ağzına da basın ve çekin. [1]
- Hortum kolunu borunun üst ucuna bağlayın. [2]
- Borunun alt ucunu sert zemin başlığına\*\* veya gerekli olduğunda aksesuarlara bağlayın. [3]
- Batarya grubunu, yerine sabitlenmesini sağlayarak, süpürge yuvasının içine iterek takın, tamamen bağlandığında bir klik sesi duyacaksınız. [4] Batarya grubunu çıkarmak için, süpürge üzerindeki batarya serbest bırakma butonuna basıp çıkarın.

## BATARYA GRUBUNU ŞARJ ETME VE KULLANIM

İlk kullanım için, batarya grubunu 5,5 saat şarj edin.

Batarya grubunu şarj etmek için, batarya grubunu serbest bırakma pedalına [5a] basarak süpürgeyi ayırın ve şarj cihazını batarya grubu üzerinde bulunan şarj girişine takın. Batarya grubu, süpürgeye takıldığında da şarj edilebilir. [5b] Şarj cihazı bağlandığında, batarya grubu üzerindeki LED ışıkları batarya göstergesi, dört

ışığın hepsi yanınca kadar, batarya şarj oldukça sırayla yanacaktır.

Tamamen şarj olduğunda, dört LED ışığı yanık kalacak ve 5 dakika sonra sönecektir.

**ÖNEMLİ:** Süpürge açma/kapama pedalı, şarj sırasında her zaman KAPALI (OFF) konumunda olmalıdır.

### LED IŞIKLARI BATARYA GÖSTERGESİ:

- <15%, yanıp sönüyor
- 15%~25%
- 26%~50%
- 51%~75%
- 76%~100%

**ÖNEMLİ:** Kullanmadan önce, her zaman bataryanın yeterli batarya kapasitesine sahip olduğundan emin olun.

Bir LED ışığı yanıp sönüyorsa (kalan kapasite ≤ %15), süpürgeyi şarj edin.

Süpürge kullanılırken, LED ışıkları batarya göstergesi ne kadar şarj kaldığını göstererek yanacaktır.

Pil şarj düzeyi %20 civarında olduğunda, pilin tükenmek üzere olduğunu gösterecek şekilde 3 bip sesi çıkaran bir sesli alarm duyulacaktır. Şarj edilmemesi halinde, birkaç dakika sonra süpürge otomatik olarak kapatılacaktır.

Batarya şarj seviyesi ≤ %15 olduğunda, birinci LED ışığı, süpürge otomatik olarak kapanmadan önce, 5 saniye boyunca yanıp sönecektir.

Süpürge kullanılmadığında, batarya seviyesi Batarya Şarj Durumu Butonuna (P2) basılarak kontrol edilebilir. LED ışıkları batarya göstergesi 5 saniye boyunca yanık kalacaktır.

### ÖNEMLİ:

- Yalnızca süpürgeyle birlikte verilen şarj cihazını kullanın.
- Şarj etme sıcaklığı: 0~45°C.
- Süpürgeyi şarj ederken, otomatik olarak sönecektir.
- Şarj aletinin şarj olurken ısınması doğaldır.
- Uzun süre evde bulunmayacaksanız (tatil vs. gibi nedenlerle) şarj aletini prizden çekin.

**NOT:** Batarya performansını artırmak için, batarya grubunu düzenli aralıklarla veya yılda en az bir defa tamamen şarj etmelisiniz.

## SÜPÜRGENİZİN KULLANIMI

- Teleskobik boru ayarlayıcısını hareket ettirerek teleskobik boruyu\*\* istenilen yüksekliğe ayarlayın ve boruyu en rahat temizleme konumuna yükseltin veya indirin. [6]
- Teleskopik borunun alt ucunu ana başlığa\*\* veya gerekli olduğunda aksesuarlara bağlayın. Modelin bir Halı ve Sert Zemin Başlığı\*\* ile donatılmış olması durumunda, başlığın üzerindeki seçici\* pedalına basarak zemin türü için ideal temizleme modunu seçin. [7]

**Sert Zemin** – Fırçalar zemini korumak için geri çekilir.

**Halı** – Fırçalar derinlemesi temizlik için öne gelir.

#### **Halı ve Sert Zemin Başlığı\*:**

- **Sert Zemin Temizliği** Sert Zemin modunda başlığın üzerindeki pedala basın ve başlığın üzerindeki kaydırıcıyı TÛM ZEMİNLER üzerine getirin. Bu konumda, sert zeminlerin korunması için fırçalar, tekerlekler ve silecek lastiği aşağı indirilir. [8a]

- **Standart Halı ve Kilim Temizliği:** Başlığın üzerindeki pedala basarak Halı moduna getirin ve başlık üzerindeki kaydırıcıyı TÛM ZEMİNLER olarak ayarlayın. Bu konumda fırçalar ve silecek lastiği yukarı kaldırılır ancak yüzeyde hareket kolaylığı için tekerlekler indirilir. [8b]

- **Derinlemesine Halı Temizliği:** Başlığın üzerindeki pedala basarak Halı moduna getirin ve başlık üzerindeki kaydırıcıyı DERİNLEMESİNE HALI TEMİZLİĞİ olarak ayarlayın. Bu konumda fırçalar, silecek lastiği ve tekerlekler halınızın derinlemesine temizlenmesi için yukarı kaldırılır. [8c]

**UYARI: Pedalın sert zemin, kaydırıcının ise derinlemesine halı temizliği olarak ayarlandığı durumlarda ahşap zeminlerin çizilmesinin önlenmesi önerilir.**

3. Temizleyici ana gövdesindeki açma/kapatma pedalına basarak temizleyiciyi açın.
4. Gücü artırmak veya azaltmak için Değişken güç denetimini kaydırın. [9]
5. Emiş düzenleyicisini istenilen seviyeye ayarlayın.
6. Kullandıktan sonra açma/kapatma pedalına basarak kapatın.

## **PARK ETME VE DEPOLAMA KISMI**

1. Boru, depolama veya kullanım sırasında geçici depolama için temizleyicinin arkasına veya altına park edilebilir. [10]
2. Hortum, boru ve başlık kullanılmadığında "Nano Pack™" depolama konumunda olabilir\*: [11]
  - A. Teleskobik boruyu saklama uzunluğuna getirin.
  - B. Teleskobik borunun ucundaki başlığı çıkarın.
  - C. Hortumun sapını teleskobik borudan çıkarın.
  - D. Temizleyicinin arkasındaki hortum tutucusunu kaldırın ve esnek hortumu ürünün etrafına sarın.
  - E. Hortum kolunu kol tutucusuyla ürüne park edin.
  - F. Başlığı ürünün altındaki bırakma yuvasına takın.
  - G. Teleskopik boruyu ürünün altındaki diğer bırakma yuvasına takın.

## **SÜPÜRGENİZİN BAKIMI**

### **Toz Torbasının Değiştirilmesi**

Torba kontrol göstergesi kırmızıysa, lütfen kontrol edin ve gerekirse torbayı değiştirin.

1. Torba kapağını açmak için torba kapağı Mandalını kaldırın, dili çekip torbayı çıkararak tozun kaçmasını önleyin [12]. Dolu toz torbası doğru ve dikkatli bir şekilde atılmalıdır.

2. Yeni bir torbayı üzerinde gösterilen şekilde katlayın ve halkayı torba tutucuya takarak süpürgeye yerleştirin. [13]
3. Torba kapağını kapatın.

**UNUTMAYIN:** Bir tıkanıklık meydana geldiğinde torba kontrol göstergesi kırmızı renkte yanabilir. Bu durumda, "Sistemden Tıkanmayı Giderme" bölümüne bakın.

### **Filtrenin temizlenmesi:**

Süpürgenizden en iyi performansı elde etmek için ön motor filtresini ve çıkış filtresini lütfen her 5 torba değişiminden sonra yıkayın.

### **Ön motor filtresinin temizlenmesi:**

1. Torba kapağını açmak için torba kapağı mandalını kaldırın.
2. Ön motor filtresini çıkarmak için, ön motor filtresi çerçevesini süpürgeye kaydırın. [14]
3. Filtreyi tutucudan çıkarın. [14]
4. Ilık suda yıkayın ve süpürgeye takmadan önce iyice kurummasını bekleyin. [16,17,18]

### **Çıkış filtresinin temizlenmesi:**

1. Egsoz filtresini çıkarmak için, torba kapısını açın ve filtre paketini çıkarın. [15]
2. Filtreyi ılık suda yıkayın ve süpürgeye yeniden takmadan önce, iyice kurummasını bekleyin. [16,17,19]

**UNUTMAYIN:** Sıcak su veya deterjan kullanmayın. Düşük bir olasılık olsa da, filtrelerin hasar görmesi halinde orjinal Hoover yedek filtre takın. Ürünü, toz torbası veya filtre takılmadan kullanmayın/denemeyin.

### **Kalıcı bez toz torbasının temizlenmesi\* (sadece belli modellerde)**

En iyi performans için, kalıcı bezden toz torbasını 5 torba dolusunda bir yıkamanızı öneririz. Fazla suyu alın ve süpürgeye yeniden takmadan önce tamamen kurummasını bekleyin.

### **Sistemden tıkanıklığı giderme**

Torba kontrol göstergesi kırmızıysa:

1. Toz haznesinin doluluğunu kontrol edin. Bu durumda 'Toz Torbasının Değiştirilmesi' bölümüne başvurun.
2. Dolu değilse;
  - A. Filtrelerin temizlenmeye mi ihtiyacı var? Bu durumda 'Filtrelerin Temizlenmesi' bölümüne başvurun.
  - B. Sistemde başka herhangi bir tıkanıklık olup olmadığını kontrol edin. - Teleskobik boru veya esnek hortumdan tıkanıklığı gidermek için bir çubuk veya sırk kullanın.

**UYARI\*:** - Tıkanma varsa veya filtreler kirliyse, temizleyici torba doluyken kullanılırsa torba kontrol göstergesi kırmızı olur. Torba kontrol göstergesi kırmızıyken on dakikadan fazla kullanılırsa elektronik devre kesici aşırı ısınma tehlikesini önlemek için temizleyiciyi kapatır. Bu durumda, temizleyiciyi kapatın, fişi prizden çekin ve arızayı gidirin (bkz. "Tıkanıklığı giderme"). Süpürgeyi tekrar açtığınızda kesinti otomatik olarak sıfırlanacaktır.

### **Batarya Değişimi**

Bu elektrik süpürgesine değiştirilebilir, yeniden şarj edilebilir Lityum İyon batarya grubu takılmıştır.

**UYARI:** Yalnızca elektrik süpürgeniz için onaylanmış yedek parçaları kullanın. Hoover tarafından onaylanmamış parçaların kullanılması tehlikelidir ve garantinizi geçersiz kılar.

**UYARI:** Batarya grubunu açmaya ve kendiniz onarmaya çalışmayın.

1. Batarya serbest bırakma butonuna basın, batarya grubu otomatik olarak çıkacaktır.
2. Batarya grubunu süpürge yavaşça çıkarın.
3. Eski batarya grubunu çıkarın ve yeni batarya grubuyla değiştirin.
4. Pilleri güvenli bir şekilde imha edin. Kullanılmış piller bir geri dönüştürme istasyonuna götürülmeli ve evsel atıklarla birlikte atılmamalıdır.

#### Ürün Hizmet Ömrü Sonunda Bataryanın Elden Çıkarılması

Elektrikli süpürge elden çıkarılacaksa bataryaları mutlaka sökülmelidir. Kullanılmış piller bir geri dönüştürme istasyonuna götürülmeli ve evsel atıklarla birlikte atılmamalıdır.

**ÖNEMLİ:** Pilleri çıkarmadan önce daima tamamen boşaltın ve şarj ünitesinin fişten çıkarıldığından emin olun.

1. Süpürgeyi piller tamamen boşalana kadar çalıştırın.
2. Batarya serbest bırakma butonuna basın, batarya grubu otomatik olarak çıkacaktır.
3. Batarya grubunu süpürge yavaşça çıkarın.
4. Pilleri süpürge yavaşça çıkarın.

**Not:** Üniteyi sökmekte sorun yaşarsanız ya da ürünün işlenmesi, geri kazanılması veya geri dönüştürülmesi hakkında detaylı bilgi almak isterseniz yerel belediye birimine veya evsel atık imha hizmetleri sunan bir tesise danışın.

## AKSESUARLAR VE BAŞLIKLAR

Yarık aleti\*, döşeme ağızlığı\* ve toz alma fırçası\* aksesuar kapağının altındaki panoda depolanır. Ve, kola veya teleskobik borunun ucuna takılabilir. [20]

- **Kenar Köşe Aparatı\*** – Köşeler ve ulaşılması zor alanlar içindir. [V1]
- **Toz Alma Fırçası\*** – Kitaplık rafları, çerçeveler, klavyeler ve diğer hassas alanlar içindir. [V2]
- **Mobilya Başlığı\*** – Yumuşak döşemeler ve kumaşlar için. [V3]
- **Parke Başlığı\*** – Parke ve diğer hassas zeminler içindir. [W]

## KULLANICI KONTROL LİSTESİ

Ürünle ilgili bir sorun yaşarsanız, yerel HOOVER servisinizi aramadan önce bu basit kullanıcı kontrol listesini inceleyin.

- Süpürgeye elektrik geliyor mu? Süpürge şarj olduğundan emin olun.
- Toz torbası aşırı dolmuş mu? Lütfen 'Süpürge Bakımı' bölümüne başvurunuz.
- Filtre tıkalı mı? Lütfen 'Süpürge Bakımı' bölümüne başvurunuz.
- Hortum veya başlık tıkalı mı? Lütfen 'Sistemden tıkanıklık giderilmesi' bölümüne başvurunuz.
- Süpürge çalışmıyor mu? Lütfen bataryanın şarj edildiğini kontrol edin.
- Batarya şarj edilemiyor mu?
- Bu durum, çok uzun süre (bir yıldan fazla) saklama sonucunda görülebilir. Batarya değişimi için Hoover müşteri hizmetlerine başvurun. Lütfen "Pillerin Değiştirilmesi" bölümüne bakın.

**NOT:** Şarj cihazının doğru voltajı, 19V - 22V arasında, şarj etme akımı ise 1A - 2A arasındadır.

## ÖNEMLİ BİLGİLER

### HOOVER yedek parçaları ve Sarf Malzemeleri

Parçaları her zaman orijinal HOOVER yedek parçalarıyla değiştirin. Bunları yerel HOOVER satıcınızdan veya doğrudan Hoover'dan bulabilirsiniz. Parça siparişi verirken mutlaka cihazın model numarasını belirtin.

- Batarya grubu: BAT18VLI 39800040

### Kalite

HOOVER fabrikalarının kalitesi bağımsız olarak takdir almıştır. Ürünlerimiz ISO 9001 gereksinimlerine uygun bir kalite sistemiyle üretilmektedir..

### Garanti

Bu cihaz için garanti koşulları, cihazın satıldığı ülkedeki temsilcimiz tarafından tanımlanmaktadır. Bu koşullara ilişkin ayrıntılar cihazın satın alındığı bayiden edinilebilmektedir. Bu garanti koşulları altında yapılan talepte satış fişi(faturası) ve makbuzu ibraz edilmiş olmalıdır.

**ÖNEMLİ:** Bu süpürge batarya, satın alma tarihinden itibaren 2 yıl boyunca garanti kapsamındadır. 2 yıl sonra, yeni batarya maliyeti müşterinin sorumluluğunda olacaktır.

Haber verilmeksizin değişiklikler yapılabilir.

## BIZTONSÁGOS HASZNÁLAT

Ezt a készüléket kizárólag háztartási célra, a felhasználói útmutatóban leírtak szerint lehet használni. Kérjük, a készülék használata előtt bizonyosodjon meg róla, hogy az összes utasítást megértette-e.

A készüléket ne hagyja a hálózatra csatlakoztatva. A használatot követően, illetve tisztítási vagy karbantartási műveletek előtt mindig kapcsolja ki a készüléket és távolítsa el a csatlakozót az aljzatból.

Ezen készüléket 8 éves, vagy annál idősebb gyerekek, valamint csökkent fizikai, érzékelési, vagy mentális képességekkel, továbbá tapasztalat nélküli személyek csak felügyelet mellett használhatják, továbbá ha a készülék használatára vonatkozó útmutatásokat megkapták, és biztonságosan tudják a készüléket használni, és megértették az azzal járó veszélyeket. Gyerekek nem játszhatnak a készülékkel. A tisztítás, és a karbantartást nem végezheti el gyerek, felügyelet nélkül.

Ha a tápvezeték megsérült, azonnal hagyja abba a készülék működtetését. A biztonsági kockázat elkerülése érdekében egy HOOVER szakszerviznek kell kicserélnie a tápvezetékét.

A forgó keféktől tartsa távol kezét, lábát, a laza ruházatot és haját.

Kizárólag a készülékhez adott eredeti töltőt használja.

Ellenőrizze, hogy a tápfeszültség megegyezik-e a töltőn feltüntetetttel.

Ezen porszívó készülék duplán szigetelt akkumulátor töltővel rendelkezik, amely csak 230V-os (UK 240V-os) konnektorba csatlakoztatható.

Dugja a töltőt a megfelelő konnektorba és csatlakoztassa a

töltő csatlakozóját a készülékhez.

Az első használat előtt töltsen az akkumulátor-csomagot 5,5 órán át.

Az akkumulátor-csomag töltéséhez válassza le azt a készülékről az akkumulátor-csomag kioldó fogantyúját lenyomva, és illessze a töltőt az akkumulátor-csomagon található töltőportba.

Az akkumulátor-csomag feltölthető úgy is, ha az éppen be van illesztve a készülékbe. [5]

Győződjön meg róla, hogy a gép töltés közben kikapcsolt állapotban van.

Ha a töltő csatlakoztatva van, akkor az akkumulátor-csomag LED lámpái sorban felvillannak a töltés során, amíg mind a négy lámpa nem világít.

Ha az akkumulátor-csomag teljesen feltöltődött, akkor a négy LED lámpa folyamatosan világít, majd 5 perc múlva kikapcsol.

Válassza le a készüléket a töltőről használat után, hogy újratölthesse az akkumulátort.

Soha ne töltsen az akkumulátort 45°C feletti vagy 0°C alatti hőmérsékleten.

Töltés közben a töltő felmelegedhet, ez teljesen normális. A készülék a töltés során automatikusan kikapcsol.

Ne csatlakoztassa le a töltőt a tápvezeték meghúzásával.

A töltőt húzza ki hosszú idejű távollét (pl. nyaralás) esetén. Töltsen fel újra a készüléket a használat előtt, mivel az akkumulátorok hosszú idejű tárolás alatt lemerülhetnek.

A készülék leselejtezése előtt távolítsa el az akkumulátort. A készüléket az akkumulátor eltávolítása esetén le kell csatlakoztatni az elektromos hálózatról. Biztonságos módon



selejtezze le az akkumulátorokat. Járassa a készüléket, amíg az akkumulátorok teljesen lemerülnek. A használt akkumulátorokat el kell vinni az újrahasznosító telepre, és nem dobhatók ki a háztartási hulladékkal együtt. Az akkumulátorok eltávolításával kapcsolatban vegye fel a kapcsolatot a Hoover ügyfélszolgálatával, vagy járjon el az alábbi utasításoknak megfelelően.

**FONTOS:** Mindig töltsse fel teljesen az akkumulátorokat az eltávolítás előtt, és győződjön meg arról, hogy a töltő nincs csatlakoztatva.

Járassa a készüléket, amíg az akkumulátorok teljesen lemerülnek.

Távolítsa el a töltő csatlakozót a készülékről.

Nyomja meg az akkumulátor-csomag kioldó gombot, hogy kivehesse azt. [5]

Lassan vegye ki az akkumulátor-csomagot a rekeszből. [5]

**MEGJEGYZÉS:** Amennyiben bármilyen nehézsége támad az egység szétszerelését illetően, vagy további részletes információra van szüksége ezen termék leselejtezésével kapcsolatban, lépjen kapcsolatba a helyi önkormányzattal vagy a háztartási hulladék elszállítókkal.

Soha ne cserélje ki az akkumulátort nem tölthető akkumulátorra.

Csak a HOOVER által javasolt tartozékokat, fogyóeszközöket és pótalkatrészeket használja.

**Statikus elektromosság:** Bizonyos szőnyegek esetében kis mértékű statikus elektromosság keletkezhet. A statikus kisülések nem életveszélyesek.

A készüléket ne használja kültéren, nedves felületen, illetve nedvesség felszívására.

Ne szívjon fel kemény vagy éles tárgyakat, gyufát, forró hamut, cigarettacsikket vagy hasonló tárgyakat.

A készüléket ne szórja le vagy szívjon fel vele gyúlékony folyadékokat, tisztítófolyadékokat, aerosolokat vagy ezek gőzeit.

Készüléke használatakor azt ne vezesse át a tápvezetéken, és a csatlakozót az aljzatból ne a tápvezeték meghúzásával távolítsa el.

Ha hibásnak tűnik, akkor ne használja tovább a készüléket.

**HOOVER szerviz:** A készülék folyamatos biztonságának és hatékony működésének biztosítása érdekében javasoljuk, hogy minden szervizelési és javítási munkát HOOVER szakszervizben végeztessen el.

A készülék használatakor ne álljon a tápvezetésekre és ne tekerje karjára vagy lábára.


A készüléket ne használja állatok vagy személyek tisztítására.

Lépcsők tisztításakor ne helyezze önnél magasabbra a készüléket.

#### Környezetvédelem

A terméken lévő szimbólum azt jelzi, hogy a készülék nem kezelhető háztartási hulladékként. A készüléket egy elektromos és elektronikus berendezések gyűjtésére szakosodott helyen kell leadni. A leselejtezést a helyi környezetvédelmi előírásoknak megfelelően kell végrehajtani. A kezeléssel és újrahasznosításával kapcsolatos részletesebb információkért vegye fel a kapcsolatot a helyi önkormányzattal, hulladékkezelő társaságával, vagy az üzlettel, ahol a készüléket vásárolta.



 Ez a készüléket megfelel a 2014/35/EU, 2014/30/EU és 2011/65/EU európai direktíváknak.

CANDY HOOVER GROUP S.r.l. Via Privata Eden Fumagalli, 20861 Brugherio (MB) Italy

## A PORSZÍVÓ BEMUTATÁSA

- |                                          |                                                |
|------------------------------------------|------------------------------------------------|
| A. Tartozékajtó                          | N. Szőnyeg- és padlótisztító fej*              |
| B1. Tömlőtartó*                          | O. Akkumulátor-csomag kioldó pedál             |
| B2. Fogantyú tartó*                      | P. Akkumulátor-csomag                          |
| B3. Csőtartó*                            | P1. LED lámpás töltöttségi szint kijelző       |
| C. Változtatható teljesítményszabályozó* | P2. Akkumulátor töltöttségi szint kijelző gomb |
| D. Porzsák tároló ajtaja                 | P3. Töltő port                                 |
| E. Porzsákajtó retesz                    | Q. Töltő                                       |
| F. Kapcsolópedál                         | R. Porzsák                                     |
| G. Porzsák telítettség jelző             | S. Kimeneteli szűrő                            |
| H. Kiegészítő ajtóretesz                 | T. Elő-motor szűrő                             |
| I. Szívóerő szabályzó                    | U. Porzsák tartó                               |
| J. Tömlő                                 | V1. Réstisztító eszköz*                        |
| K. Teleszkópos cső**                     | V2. Porkefe*                                   |
| Ka. Teleszkópcső retesz*                 | V3. Bútortisztító*                             |
| Kb. Teleszkópos cső beállító**           | W. Parkettasztisztító fej*                     |
| L. Szívófej-retesz*                      |                                                |
| M. Fő szívófej**                         |                                                |

## A PORSZÍVÓ BEMUTATÁSA

Minden tartozékot vegyen ki a csomagolásból.

- Csatlakoztassa a tömlőt a készülékhez. A cső kihúzása: egyszerűen nyomja meg a két reteszt a cső végén, és húzza ki azt. [1]
- Csatlakoztassa a tömlő fogantyúját a cső felső végéhez. [2]
- Csatlakoztassa a cső alsó végét a kemény padlóra illeszthető szívófejhez\*\* vagy szükség esetén a tartozékokhoz. [3]
- Helyezze be az akkumulátor-csomagot a helyére történő benyomással és győződjön meg róla, hogy rögzítve van. Egy kattantást fog hallani, ha ez sikerült. [4] Az akkumulátor-csomag eltávolításához nyomja le a kioldó pedált a készüléken, és vegye ki.

## AZ AKKUMULÁTOR-COMAG TÖLTÉSE ÉS HASZNÁLATA

Az első használat előtt töltsze az akkumulátor-csomagot 5,5 órán át. Az akkumulátor-csomag feltöltéséhez vegye ki azt a készülékből a kioldó pedál [5a] lenyomásával és dugja be a töltőt az akkumulátor-csomag hátulján látható töltő portba. Az akkumulátor akkor is tölthető, ha azt a készülékből nem távolítja el. [5b]

Ha a töltő csatlakoztatva van, akkor az akkumulátor-csomag LED lámpái sorban felvillannak a töltés során, amíg mind a négy lámpa nem világít. Ha az akkumulátor-csomag teljesen feltöltődött, akkor a négy LED lámpa folyamatosan világít, majd 5 perc múlva kikapcsol.

**FONTOS:** A készülék On/Off pedáljának mindig OFF helyzetben kell lennie a töltés alatt.

### LED LÁMPÁLTÖTTTSÉGI SZINT KIJELZŐ

- <15%, villogás
- 15%~25%
- 26%~50%
- 51%~75%
- 76%~100%

**FONTOS:** Minden használat előtt győződjön meg arról, hogy az akkumulátor megfelelően fel van töltve.

Töltse fel az akkumulátort, ha valamelyik LED lámpa villog (a fennmaradó kapacitás  $\leq 15\%$ ).

Amikor a készülék használatban van, a LED lámpás kijelző mutatja, mekkora az akkumulátor töltöttsége.

Amikor az akkumulátor töltöttségi szintje körülbelül 20%, egy 3 csipogásból álló hangjelzés jelzi, hogy az akkumulátor lassan lemerül. Ha nincs feltöltve, néhány perc elteltével a tisztító automatikusan kikapcsol.

Ha az akku töltöttségi szintje  $\leq 15\%$ , az első LED lámpa 5 másodpercre felvillan, mielőtt a gép automatikusan kikapcsol.

Amikor a készülék nincsen használatban, az akkumulátor töltöttségi szintjét az akkumulátor-töltöttség szint jelző gomb megnyomásával ellenőrizheti (**P2**). A LED kijelző 5 másodpercig világítani fog.

### FONTOS:

- Csak az Ön készülékével együtt csomagolt töltőt használja.
- Töltési hőmérséklet: 0~45°C.
- A készülék a töltés során automatikusan kikapcsol.
- Töltés közben a töltő felmelegedhet, ez teljesen normális.
- A töltőt húzza ki hosszú idejű távollét (pl. nyaralás) esetén.

**MEGJEGYZÉS:** Az akkumulátor teljesítményének optimalizálása érdekében rendszeresen, de legalább évente egyszer töltsze fel teljesen az **akkumulátort**.

## A KÉSZÜLÉK HASZNÁLATA

- Állítsa be a teleszkópos csövet a kívánt magasságra a teleszkópos\*\* cső állítójának mozgatásával, majd emelje meg az alsó csövet a legkényelmesebb tisztítási pozícióba. [6]
- Szükség esetén csatlakoztassa a teleszkópos cső alsó végét a fő szívófejhez\*\* vagy a megfelelő tartozékhoz. Amennyiben az adott típus szőnyegre és padlóra illeszthető szívófej\*\* is rendelkezik, a megfelelő tisztítási mód kiválasztásához nyomja meg a szívófejen található padló típus-választó\* pedált: [7]

\*Csak bizonyos modellek esetén \*\*Modelltől függően változhat.

**Keménypadló** – A padló védelme érdekében a kefék leereszkednek.

**Szőnyeg** – A mélyebb tisztítás érdekében a kefék felemelkednek.

#### Szőnyeg & padló szívófej\*:

- **Keménypadló tisztítása:** Nyomja a szívócsövön lévő pedált Keménypadló (Keménypadló) módba és állítsa a szívócsövön lévő csúszkát ALL FLOORS (Minden padlótípus) állásba. Ebben a pozícióban a kefék, kerekek és a törölőlapát a keménypadló védelme érdekében leereszkednek. [8a]

- **Hagyományos szőnyegek tisztítása:** Nyomja a szívócsövön lévő pedált Carpet (Szőnyeg) módba és állítsa a szívócsövön lévő csúszkát ALL FLOORS (Minden padlótípus) állásba. Ebben a pozícióban a kefék és a törölőlapát megemelkednek, a kerekek pedig az ilyen felületen történő tökéletes mozgás biztosítása érdekében leereszkednek. [8b]

- **Szőnyeg mélytisztítása:** Nyomja a szívócsövön lévő pedált Carpet (Szőnyeg) módba és állítsa a szívócsövön lévő csúszkát DEEP CARPET CLEANING (Szőnyeg mélytisztítása) állásba. Ebben a pozícióban a kefék, kerekek és a törölőlapát a szőnyeg mélyebb tisztítása érdekében felemelkednek. [8c]

**FIGYELEM: A fa padlók karcolódásának lehetséges elkerülése érdekében javasoljuk, hogy a pedált ne állítsa keménypadló módba, a csúszkát pedig szőnyeg mélytisztítási állásba.**

3. Kapcsolja be a tisztítót az on/off pedál lenyomásával a készülék házán.
4. Csúsztassa a teljesítményszabályozót a szívás erősségének növeléséhez, vagy csökkentéséhez. [9]
5. Állítsa be a szívóerő szabályozót a kívánt szintre.
6. Kapcsolja ki a használat végén a kapcsolópedál megnyomásával.

## PARKOLÁSI POZÍCIÓ ÉS TÁROLÁS

1. A csövet tárolhatjuk a gép hátulján vagy alján. [10]
2. A tömlő, a cső és a szívófejet tárolhatjuk a Nano Pack™ segítségével, amikor épp nincs használatban\*: [11]
  - A. Állítsa vissza a teleszkópos csövet a legkisebb hosszára.
  - B. Távolítsa el a szívófejet a teleszkópos cső végéről.
  - C. Távolítsa el a tömlőfogantyút a teleszkópos csőről.
  - D. Emelje fel a tömlőtartót a gép hátsó részében és tekerje a rugalmas tömlőt a termék köré.
  - E. Tegye a tömlőfogantyút a termékre a nyélrögzítő segítségével.
  - F. Szerelje a szívófejet a termék alján lévő részbe.
  - G. Szerelje a teleszkópos csövet a fennmaradó részbe a termék alján.

## A PORSZÍVÓ KARBANTARTÁSA

### Porzsák cseréje

Ha a porzsák jelzőlámpája vörösen világít, akkor ellenőrizze, és szükség esetén cserélje ki a zsákot.

1. Emelje fel a zsák ajtájának reteszét, nyissa ki a zsák ajtáját, és zárja le a zsákot, elkerülve ezzel a por kiszökését, a nyelv lenyomásával, valamint a zsák eltávolításával [12]. A használt porzsákot megfelelően, és körültekintően kell eltávolítani és kidobni.
2. Hajtson össze egy új porzsákot a zsákon látható módon, majd helyezze be a keretét a porzsáktartóba. [13]
3. Csupkja be a zsák ajtáját.

**NE FELEJTSE:** A porzsák kijelzője pirosan világíthat, amennyiben valamilyen eltömődés lép fel. Ilyen esetben nézze meg 'A rendszer dugulásának eltávolításra' részt.

### A szűrő tisztítása:

A gép optimális teljesítményének fenntartása érdekében mossa le az előmotor-, valamint a kimeneteli szűrőit minden 5-ik porzsákcsere után.

### Az előmotor szűrő tisztítása:

1. Emelje fel a zsákajtó reteszt, hogy kinyithassa a zsák ajtáját.
2. Az előmotor szűrő eltávolításához tolja le az előmotor szűrő keretét, a gépről. [14]
3. Távolítsa el a szűrőt a tartóról. [14]
4. Mossa ki langyos vízben a porzsákot, majd hagyja alaposan megszáradni a készülékbe való visszahelyezés előtt. [16,17,18]

### A kimeneteli szűrő tisztítása:

1. A kimeneteli szűrő eltávolításához nyissa ki a zsák ajtáját és vegye ki a szűrőcsomagot. [15]
2. Mossa meg a szűrőt langyos vízben és hagyja teljesen megszáradni, mielőtt visszahelyezné a készülékbe. [16,17,19]

**NE FELEJTSE:** Ne használjon forró vizet vagy tisztítószert. Abban a valószínűtlen esetben, ha a szűrők megsérülnek, csak eredeti Hoover cserealkatrészt szereljen be. Soha ne kísérelje meg a készüléket porszűrő, vagy beszerelt szűrő nélkül használni.

### A beépített szövetszák tisztítása\* (nem minden modellnél)

Az optimális teljesítmény fenntartásához ajánljuk, hogy mossa át a textil porzsákot langyos vízben, minden 5-ik zsákürítés után. Távolítsa el a felesleges vizet és hagyja teljesen megszáradni, mielőtt visszahelyezné a készülékbe.

### Eltömődés eltávolítása a rendszerből.

Ha a zsák ellenőrző jelzője piros:

1. Ellenőrizze, hogy a tartály megtelt-e. Amennyiben igen, olvassa el "A porzsák cseréje" című fejezetet.
2. Ha nincs tele, akkor:
  - A. A szűrők tisztítására van szükség: Amennyiben igen, olvassa el "Szűrő tisztítása" című fejezetet.
  - B. Ellenőrizze, hogy nincs-e másfajta dugulás a rendszerben. - Egy rúd vagy pálca segítségével távolítsa el a teleszkópos csövekben vagy a tömlőben lévő dugulásokat.

**FIGYELEM\*:** - A zsák jelzőlámpája pirosan világít, ha a gépet tele zsákkal használják, ha eltömődés történt vagy a szűrők szennyezettek. Ha piros színű zsák jelzőlámpa mellett a készüléket 10 percet meghaladó ideig használják, akkor egy elektromos leválasztó-

kapcsoló kikapcsolja a gépet, hogy megakadályozza a túlhevülést. Ilyen esetekben húzza ki a készüléket a konnektorból és oldja meg a problémát (lásd 'Dugulás eltávolítása'). A leválasztó automatikusan kikapcsol a készülék bekapcsolásakor.

### Akkumulátor csere

A gép fel van szerelve egy újratölthető, helyettesíthető lítiumionos akkumulátor-csomaggal.

**FIGYELEM:** Csak jóváhagyott pótalkatrészeket használjon a készülékhez. A Hoover által nem jóváhagyott alkatrészek használata veszélyes lehet és garanciavesztéssel jár.

**FIGYELEM:** Ne próbálja kinyitni az akkumulátor-csomagot és ne próbálja Ön megjavítani.

1. Nyomja meg az akkumulátor gombot és az akkumulátor-csomagot automatikusan kijön.
2. Lassan távolítsa el az akkumulátor-csomagot a tisztítóból.
3. Távolítsa el a régi akkumulátor-csomagot és helyettesítse egy újjal.
4. Biztonságos módon selejtezze le az akkumulátorokat. A használt akkumulátorokat el kell vinni az újrahasznosító telepre, és nem dobhatóak ki a háztartási hulladékkal együtt.

### Termék leselejtezése - akkumulátor eltávolítás

Amennyiben a porszívót ki szeretné dobni, az akkumulátorokat el kell távolítani. A használt akkumulátorokat el kell vinni az újrahasznosító telepre, és nem dobhatóak ki a háztartási hulladékkal együtt.

**FONTOS:** Mindig töltsse fel teljesen az akkumulátorokat az eltávolítás előtt, és győződjön meg arról, hogy a töltő nincs csatlakoztatva.

1. Járassa a készüléket, amíg az akkumulátorok teljesen lemerülnek.
2. Nyomja meg az akkumulátor gombot és az akkumulátor-csomagot automatikusan kijön.
3. Lassan távolítsa el az akkumulátor-csomagot a tisztítóból.
4. Távolítsa el az akkumulátort a készülékből.

**Megjegyzés:** Amennyiben bármilyen nehézsége támad az egység szétszerelését illetően, vagy további részletes információkra van szüksége ezen termék kezelését, a helyreállítását illetően, kérem lépjen kapcsolatba a helyi irodával, vagy a háztartási hulladék elszállítókkal.

## KIEGÉSZÍTŐK ÉS FEJEK

A réstisztító eszköz\*, a kárpittisztító\*, és a portalanító kefe a készüléken\* kerül tárolásra, a kiegészítők ajtaja mögött. Ezeket felhelyezheti a teleszkópos cső végén lévő fogantyúra. [20]

- **Réstisztító eszköz\*** – Sarkok és nehezen elérhető területek tisztításához. [V1]
- **Porkefe\*** – Könyvespolcok, képeretek, billentyűzetek és egyéb kényes területek tisztításához. [V2]
- **Bútortisztító\*** – Puha bútorokhoz, kárpitokhoz és szövetekhez. [V3]
- **Parkettatisztító fej\*** – Parketta és egyéb kényes padlók tisztításához. [W]

## FELHASZNÁLÓI ELLENŐRZŐLISTA

Amennyiben problémát észlel a termék működése során, a Hoover szerviz felhívása előtt ellenőrizze a következőket.

- A porszívó konnektora megfelelően működik-e? Kérjük, ellenőrizze, hogy fel van-e töltve a készülék.
- A Portartály megtelt? Kérjük, tekintse meg "A porszívó karbantartása" című fejezetet.
- A szűrő eltömődött? Kérjük, tekintse meg "A porszívó karbantartása" című fejezetet.
- A tömlő vagy a szívófej eltömődött? Lásd a "Rendszer eltömődésének megszüntetése" részt.
- A gép nem kapcsol ki? Kérjük, ellenőrizze, hogy fel van-e töltve az akkumulátor.
- Az akkumulátort nem lehet feltölteni?
- Ez a nagyon hosszú használat nélküli idő (több mint egy év) eredménye lehet. Vegye fel a kapcsolatot a Hoover ügyfélszolgálatával az akkumulátorcsere ügyében. Kérjük, hivatkozzon az "Akkumulátor csere" fejezetre.

**MEGJEGYZÉS:** A töltés normál feszültsége 19V és 22V között van, míg az áramerősség 1A és 2A között.

## FONTOS INFORMÁCIÓ

### HOOVER alkatrészek és fogyóeszközök

Az alkatrészeket mindig eredeti HOOVER pótalkatrészekre cserélje ki. Ezeket a helyi HOOVER kereskedőtől vagy közvetlenül a Hoover-től vásárolhatja meg. Az alkatrészek rendelésekor mindig adja meg a készülék modellszámát.

- Akkumulátor-csomag: BAT18VLI 39800040

### Minőség

A HOOVER gyáraiban független minőségbiztosítás történik. A termékeket olyan minőségi rendszerek segítségével gyártjuk, melyek megfelelnek az ISO 9001 által támasztott összes követelménynek.

### Garancia

A garanciális feltételeket a termék értékesítési országában lévő képviselőnk határozza meg. Ezzel kapcsolatos információkat attól a kereskedőtől kérhet, ahol a terméket megvásárolta. A garanciális igények érvényesítéséhez a termék vásárlását igazoló blokk vagy számla bemutatására van szükség.

**FONTOS:** A készülék akkumulátorára a vásárlástól számított 2 évig garanciát vállalunk. 2 év után a vevő viseli az új akkumulátor költségét.

A változtatás jogát előzetes bejelentés nélkül fenntartjuk.