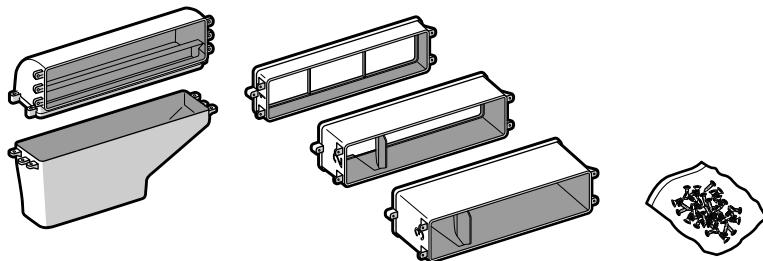
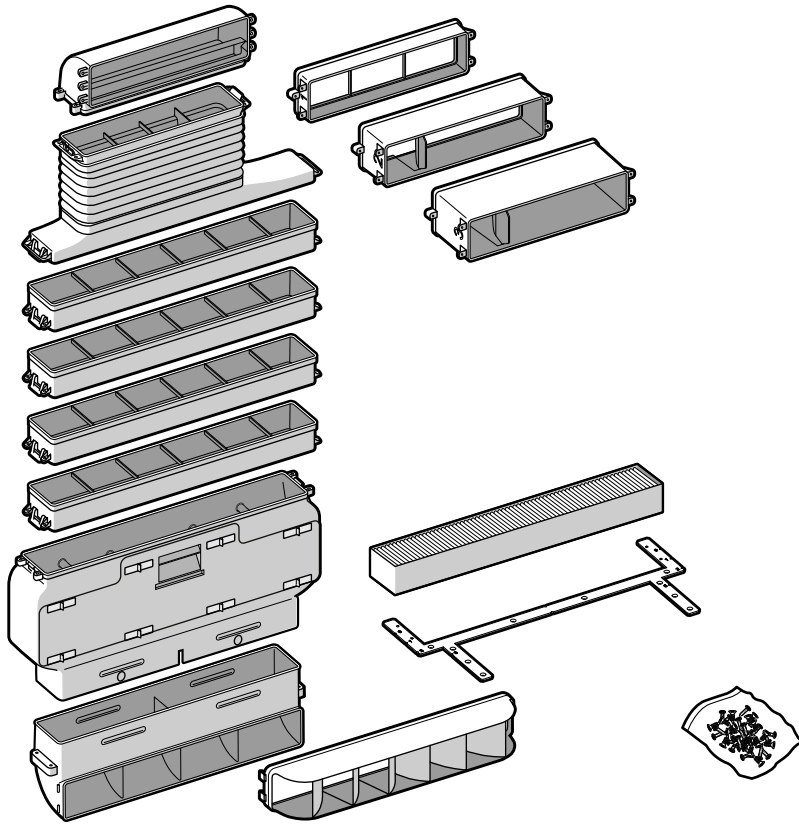
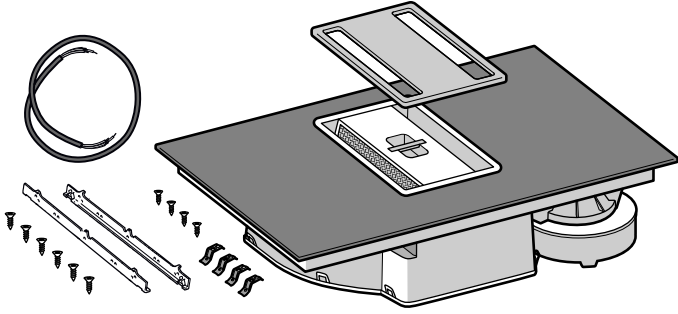


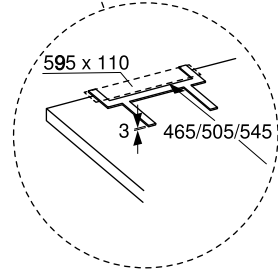
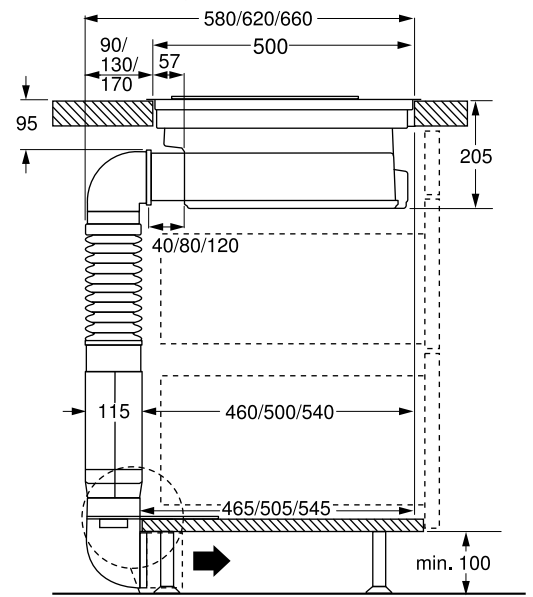
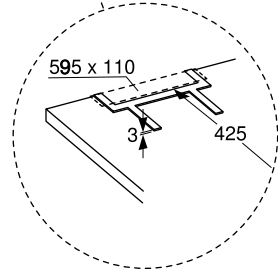
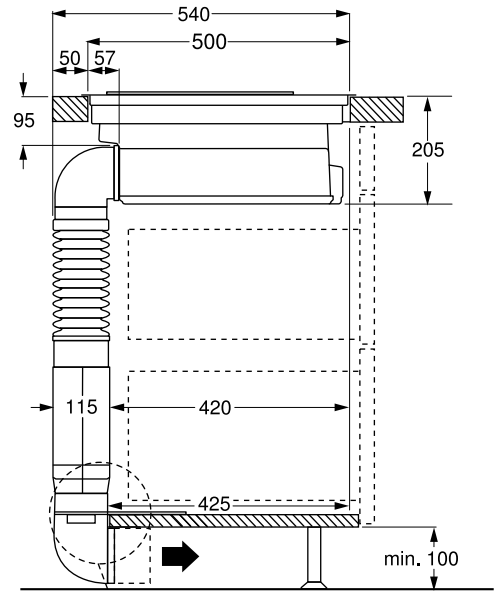
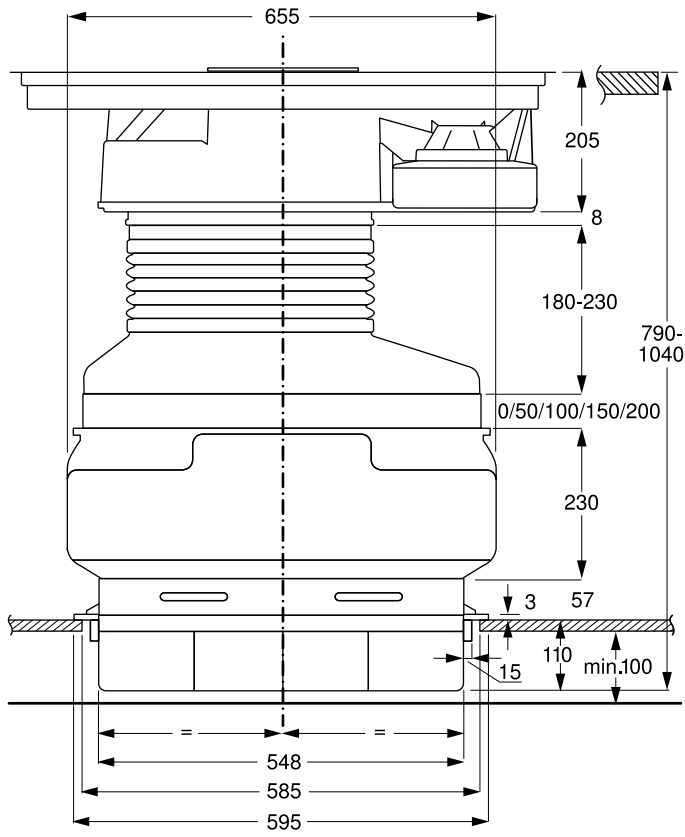


9001347343 981119

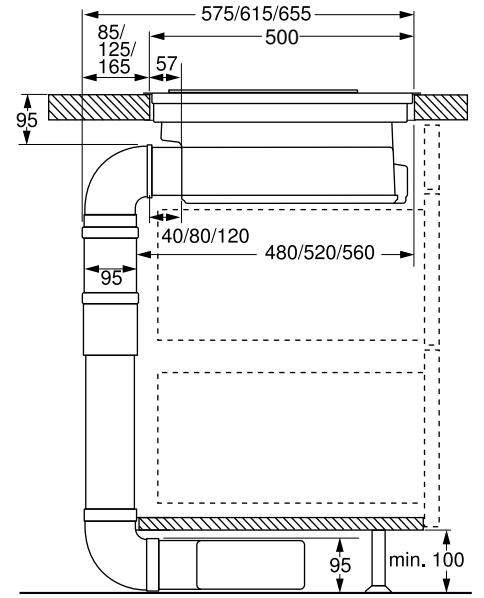
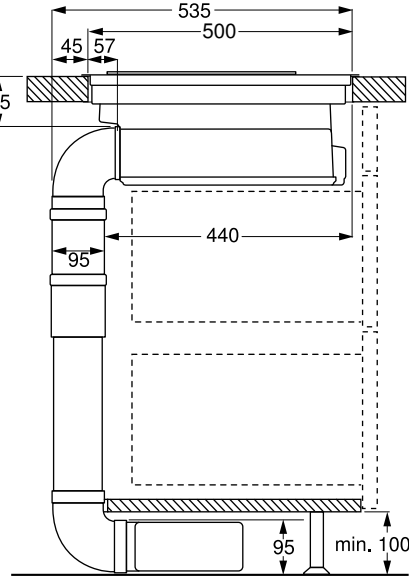
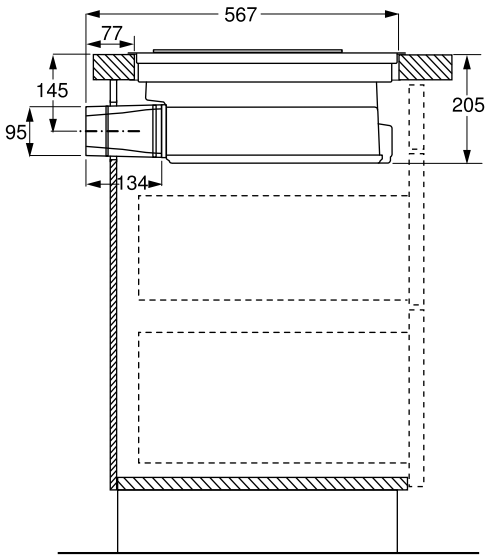
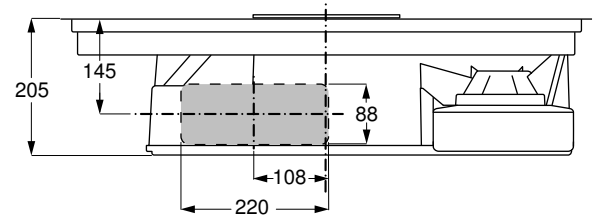
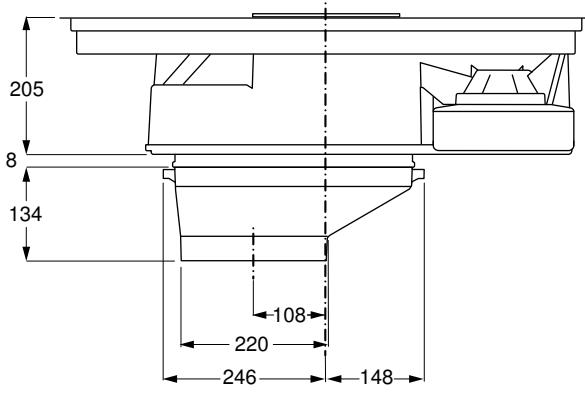
- en Installation instructions
- da Monteringsvejledning
- fi Asennusohje
- no Monteringsveiledning
- sv Monteringsanvisning



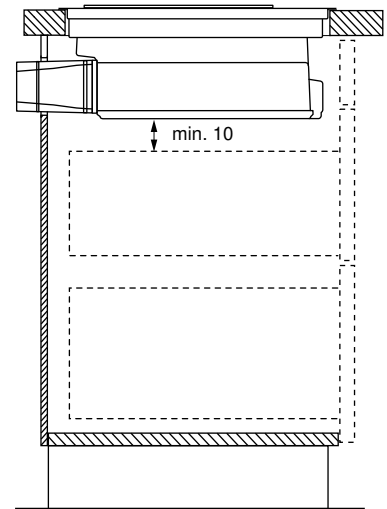
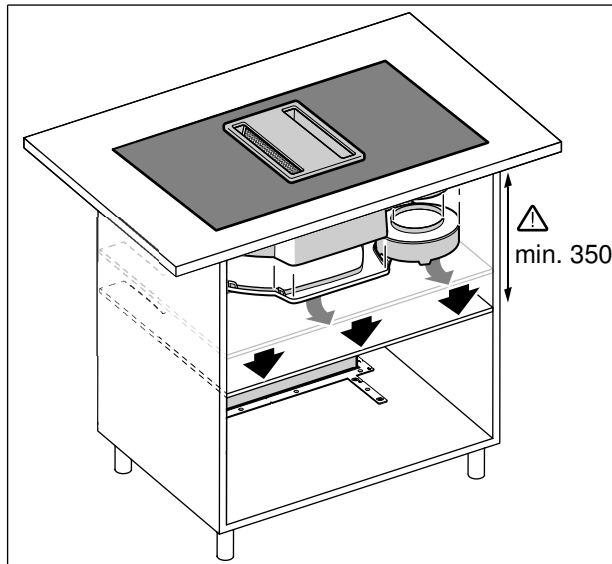
A



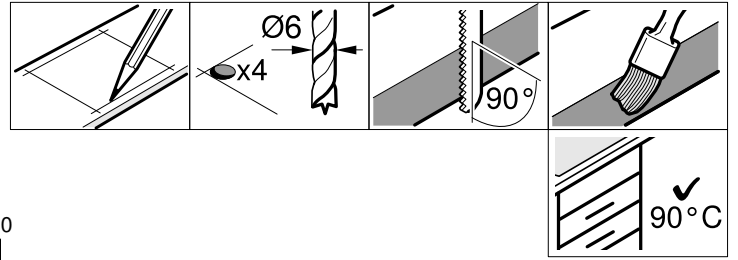
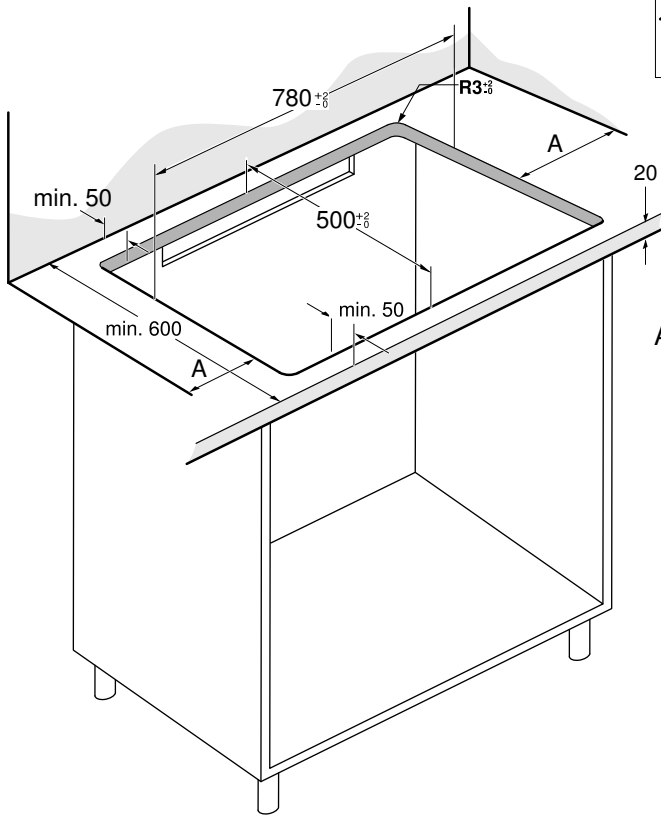
B



C

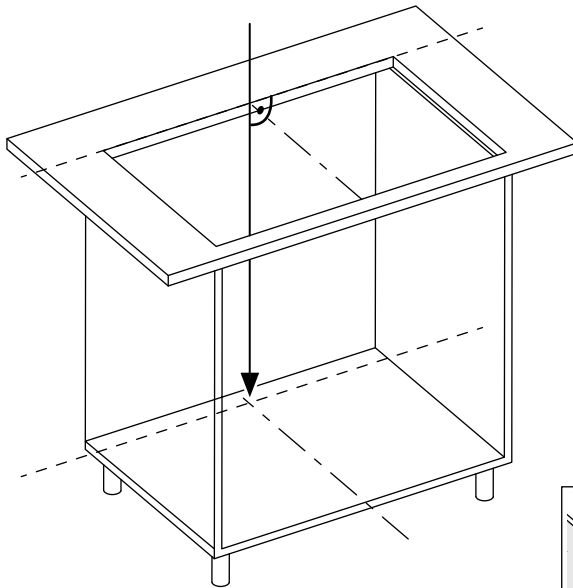


1

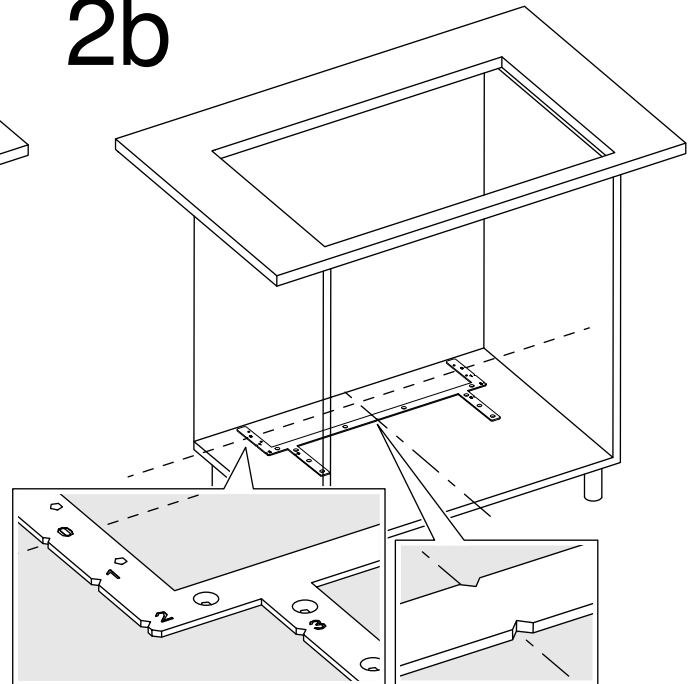


A = min. 40

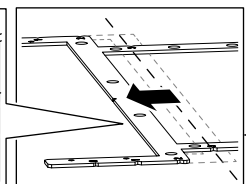
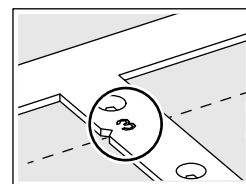
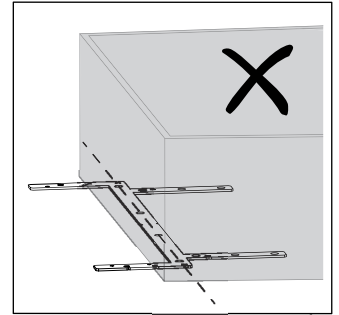
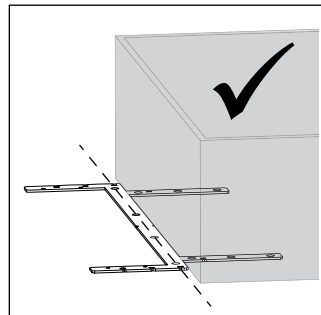
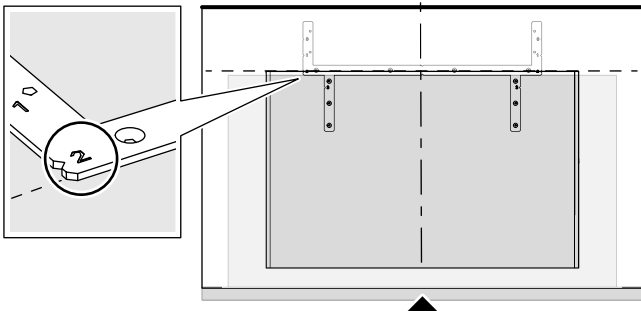
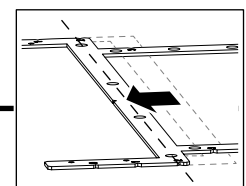
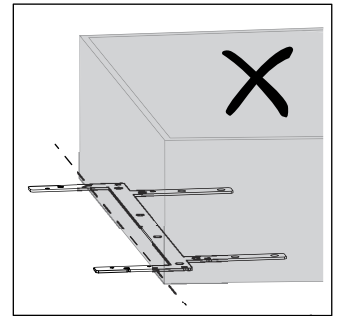
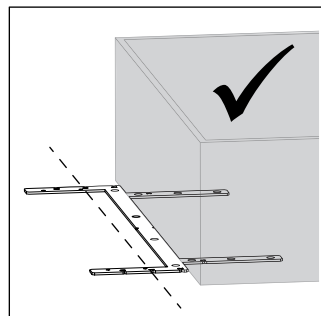
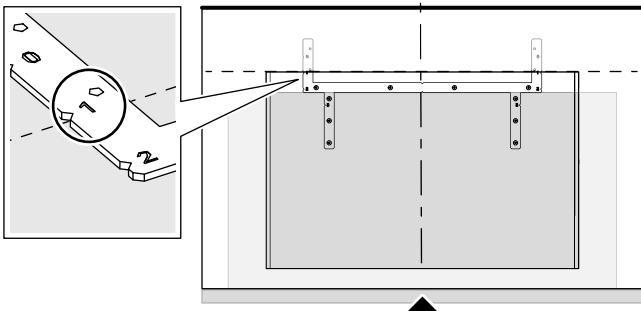
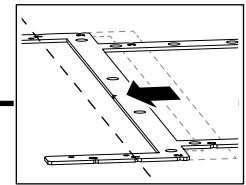
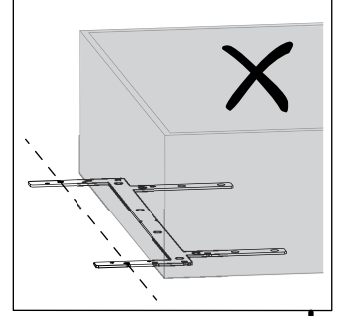
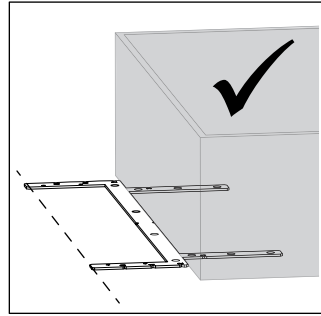
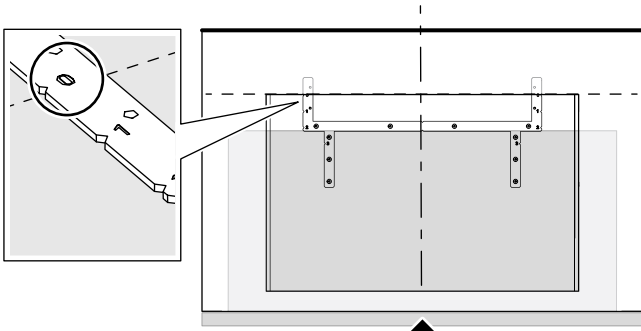
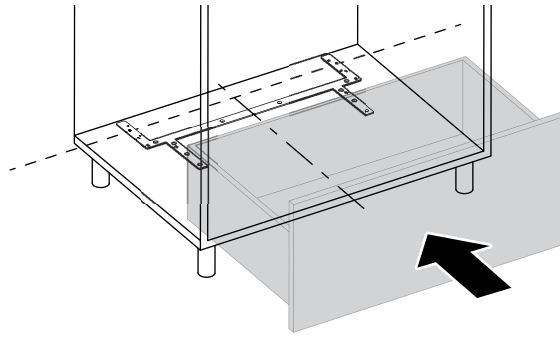
2a



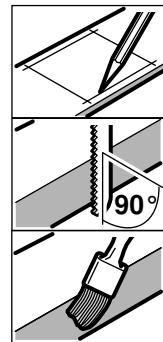
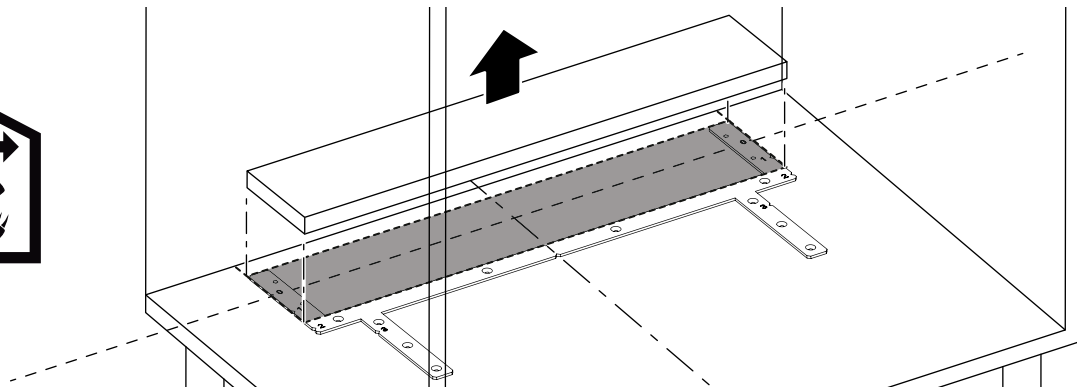
2b



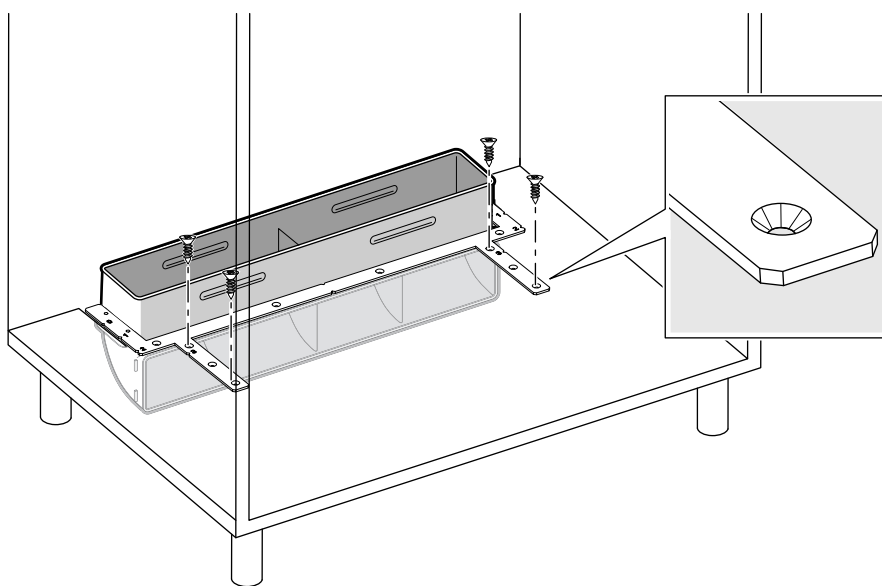
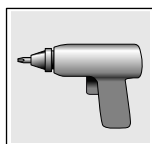
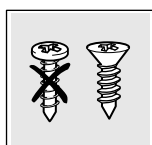
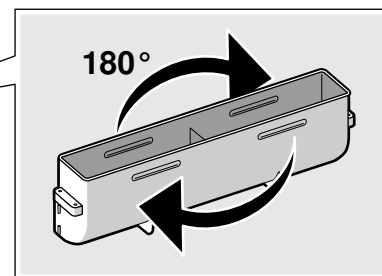
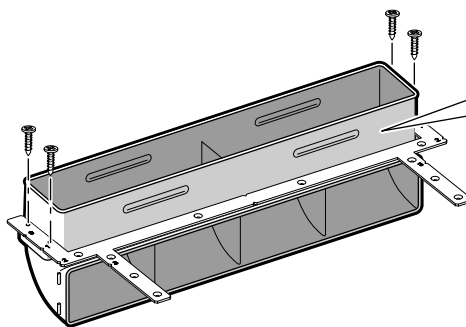
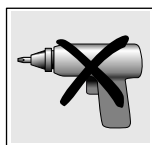
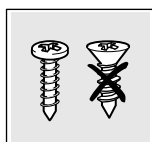
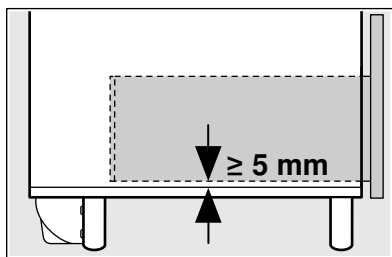
2c



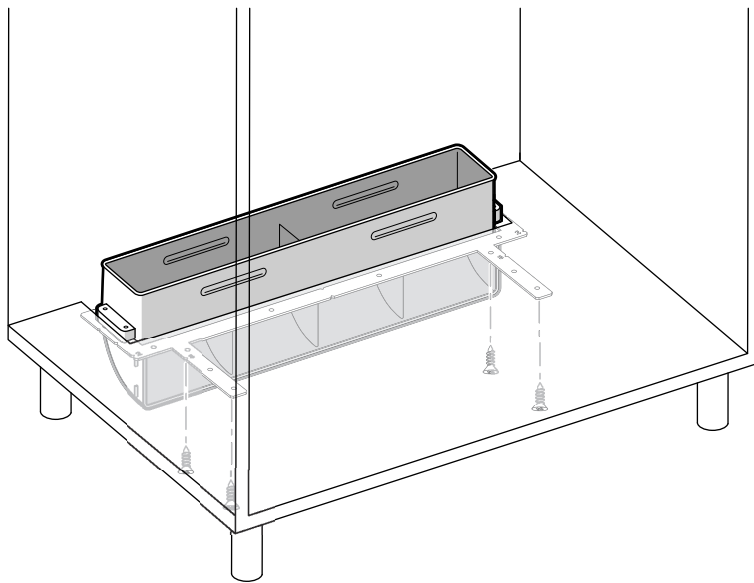
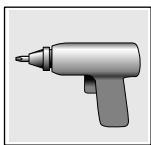
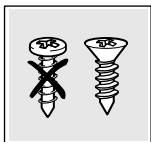
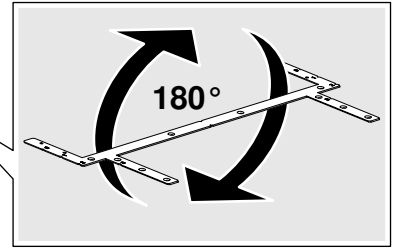
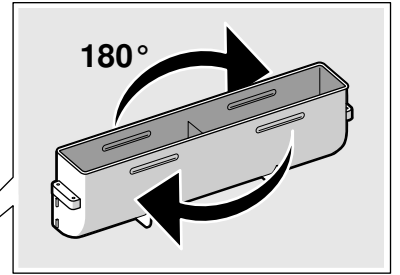
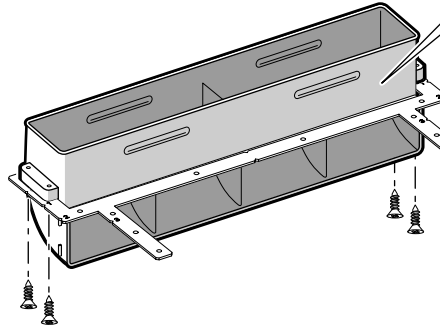
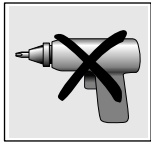
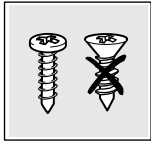
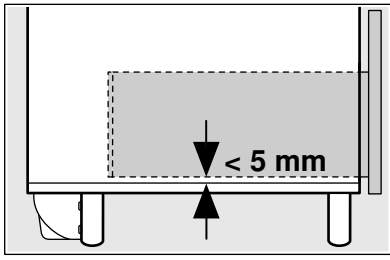
2d



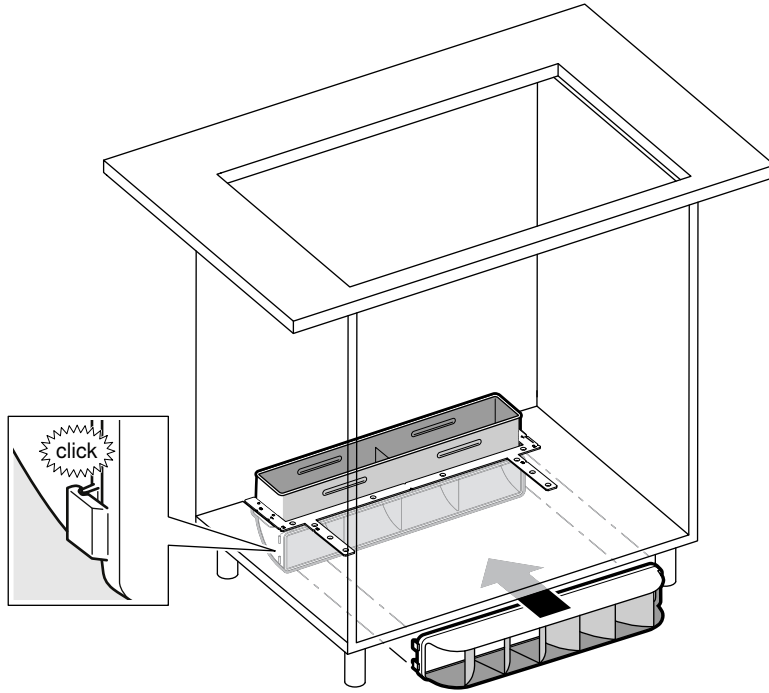
3a



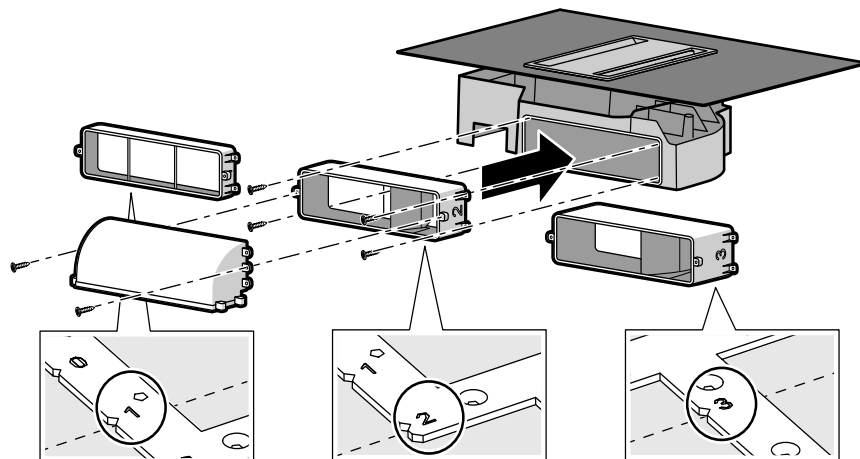
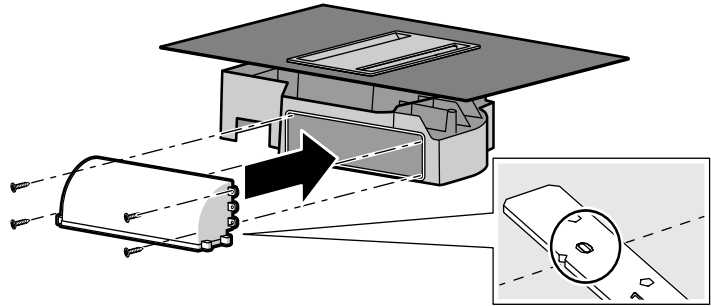
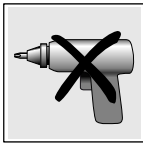
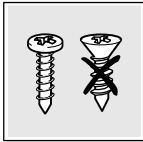
3b



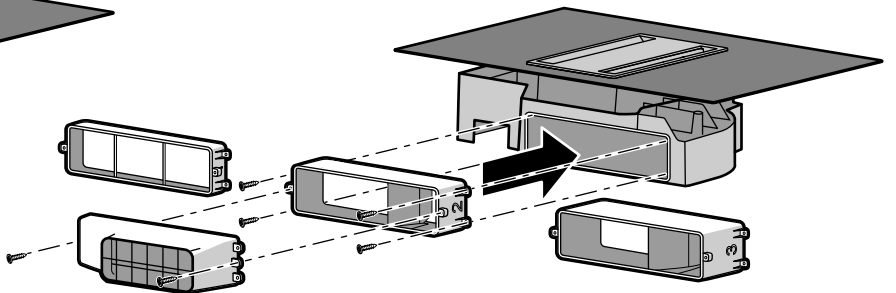
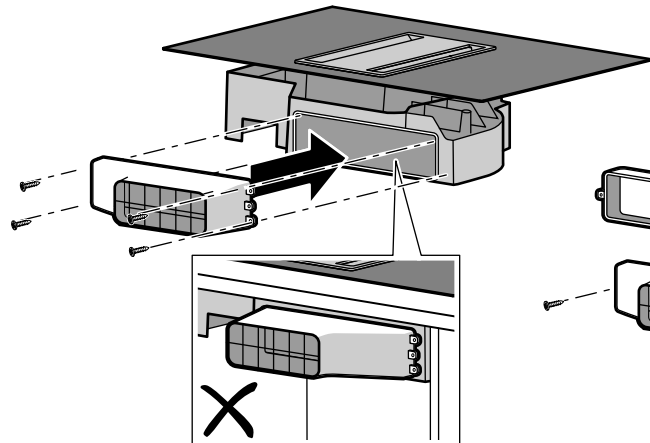
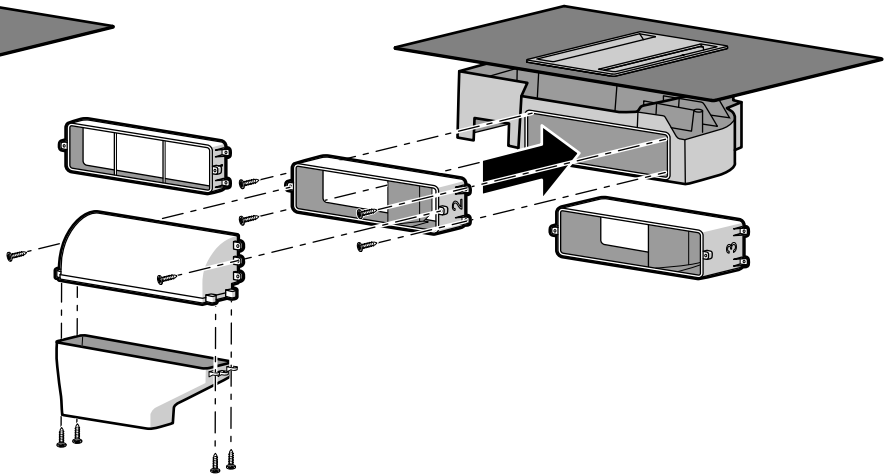
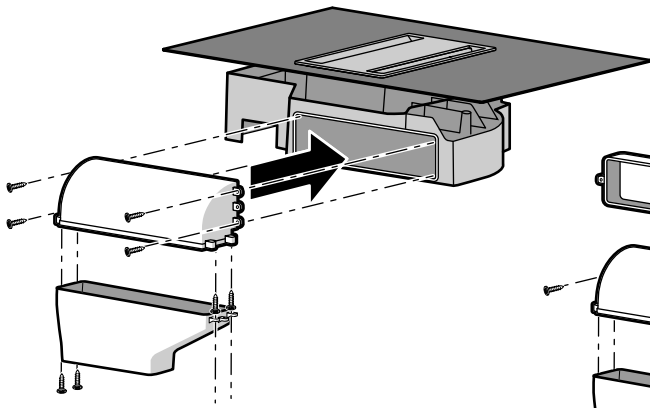
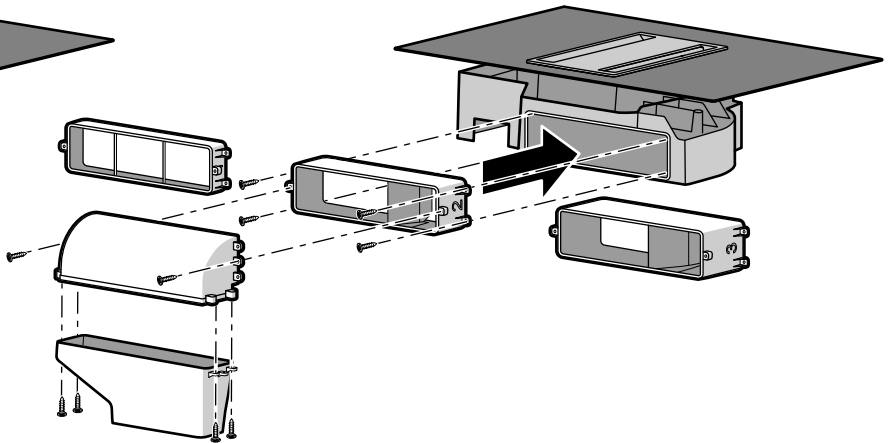
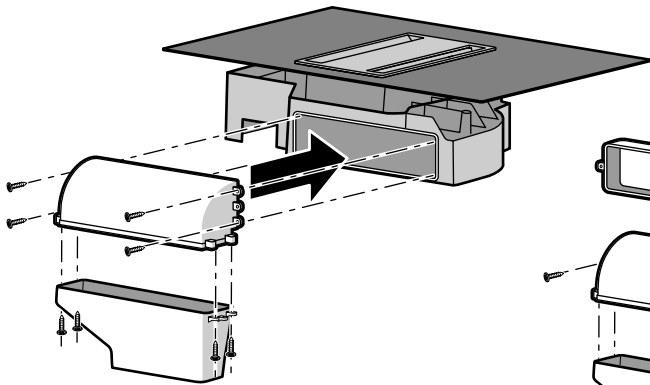
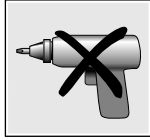
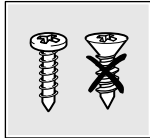
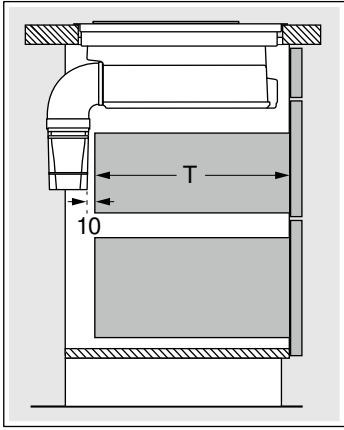
3c



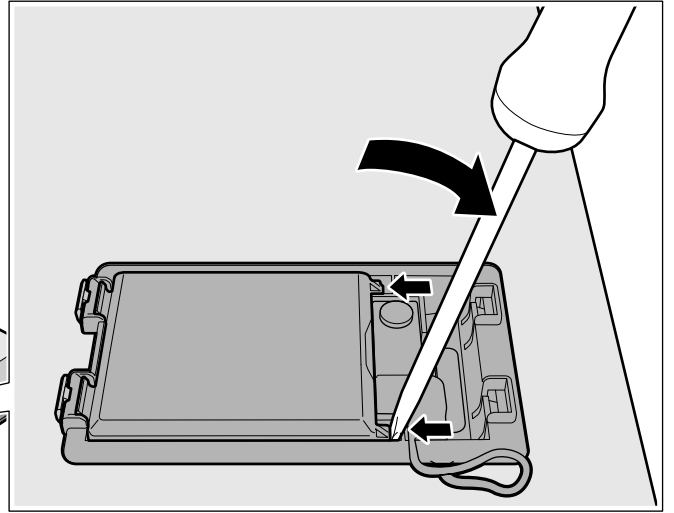
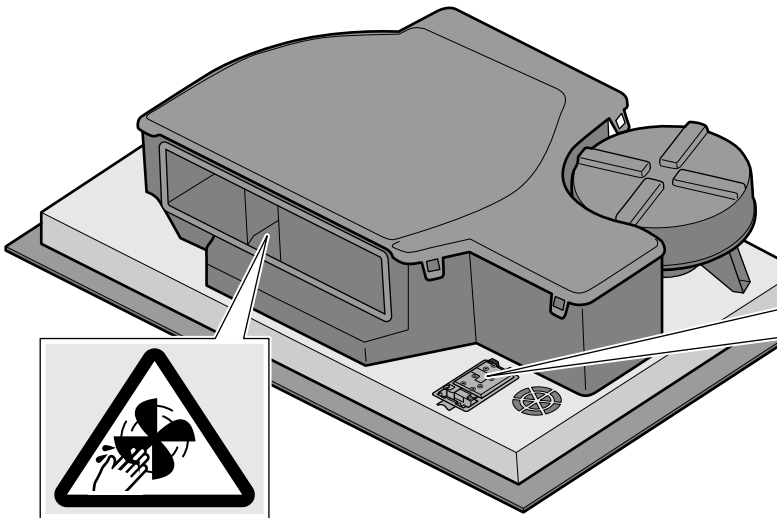
4



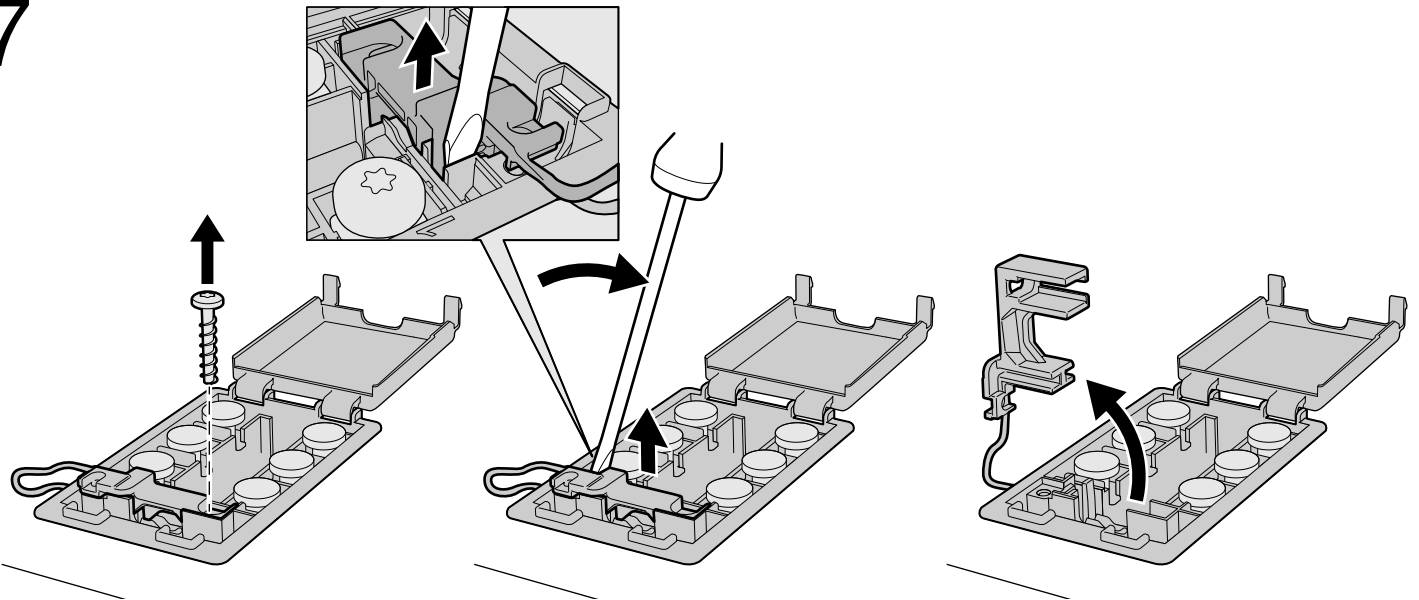
5



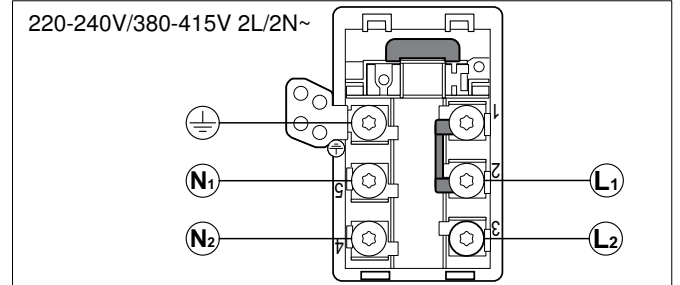
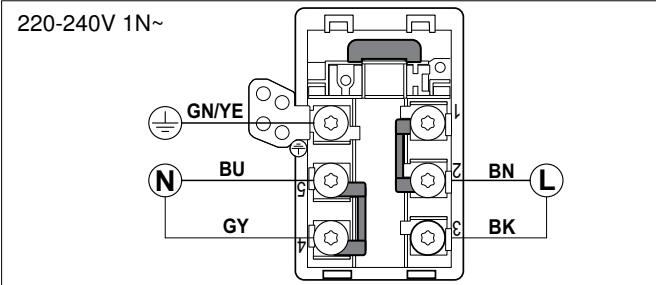
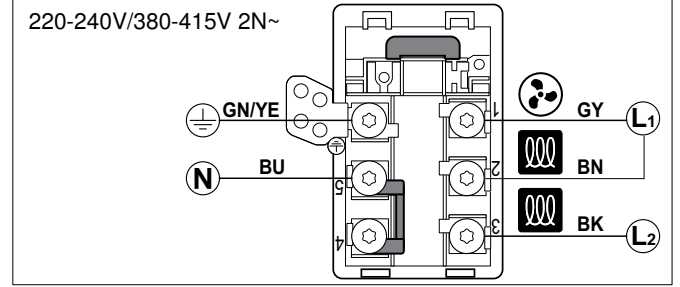
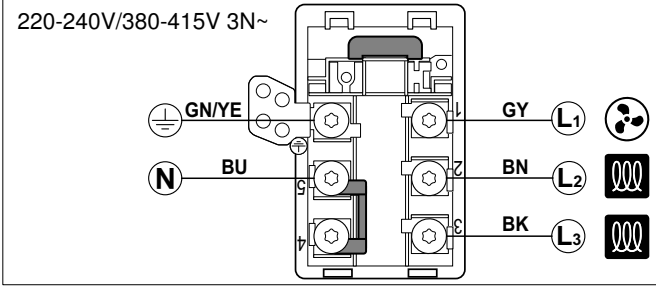
6



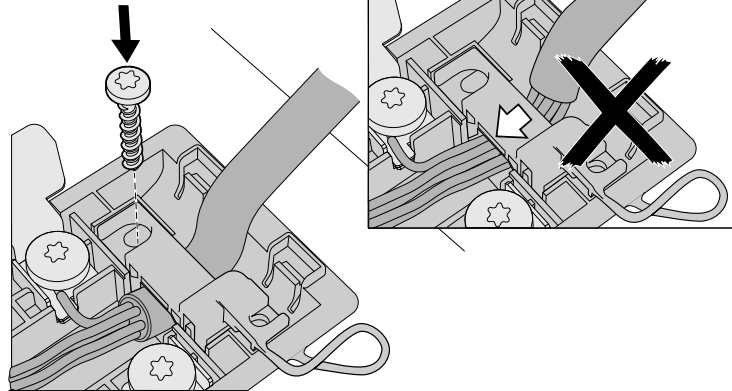
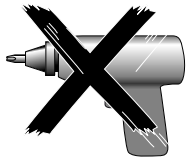
7



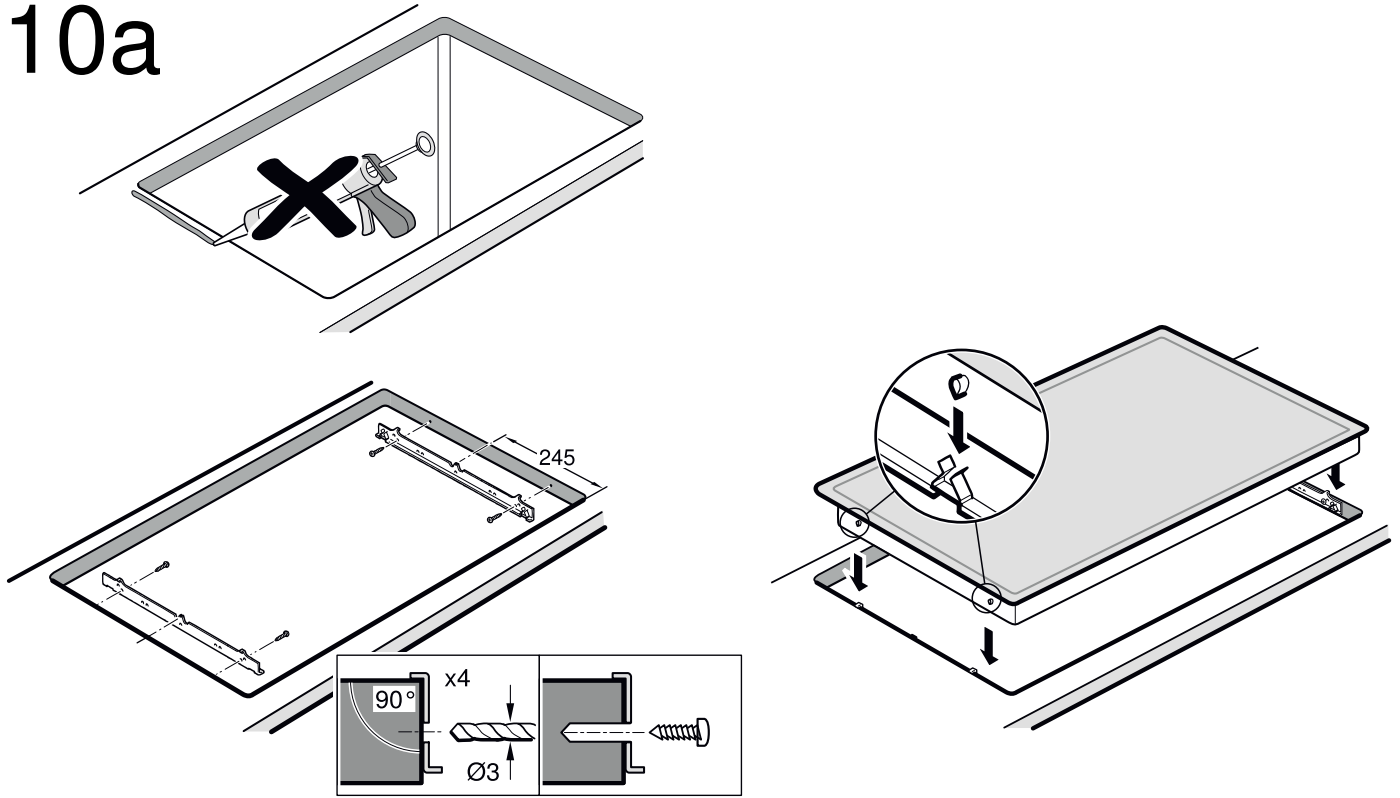
8



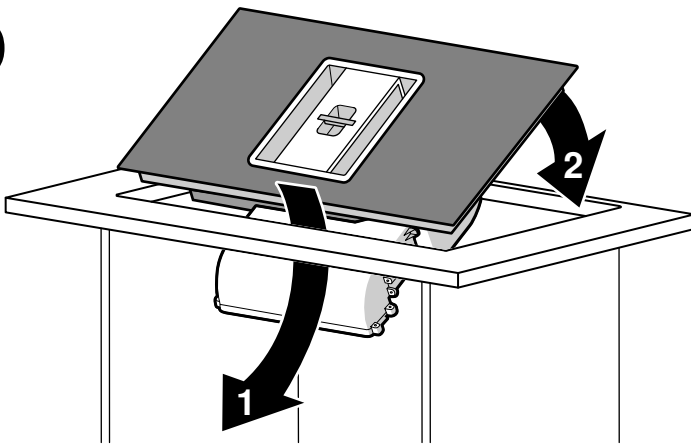
9



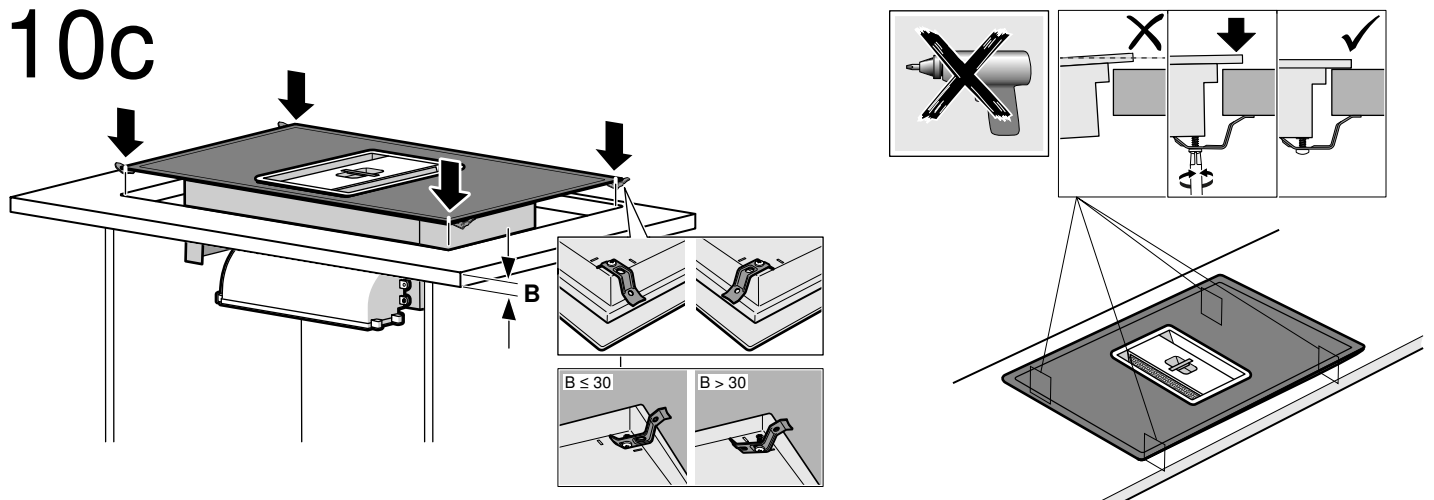
10a



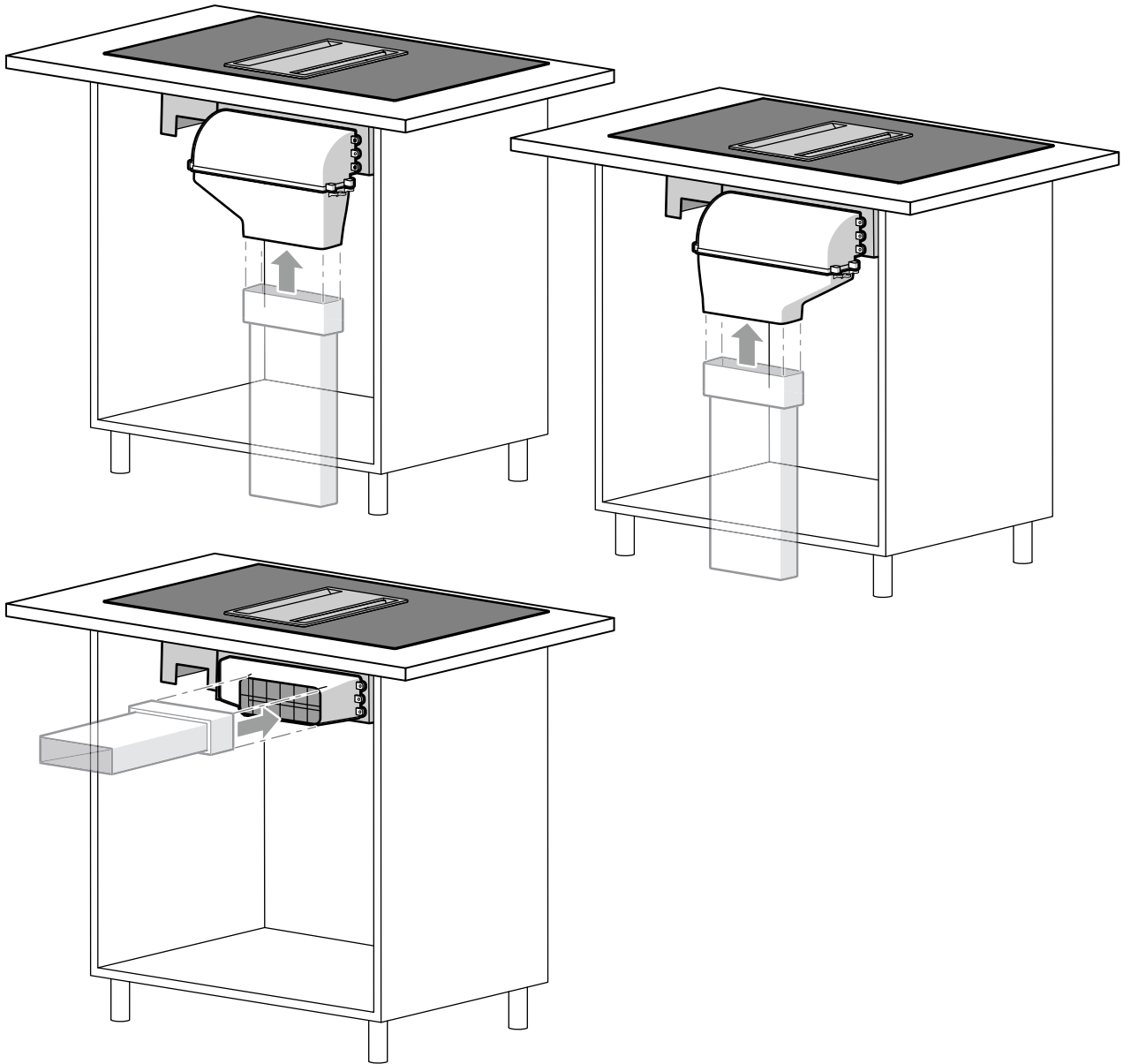
10b



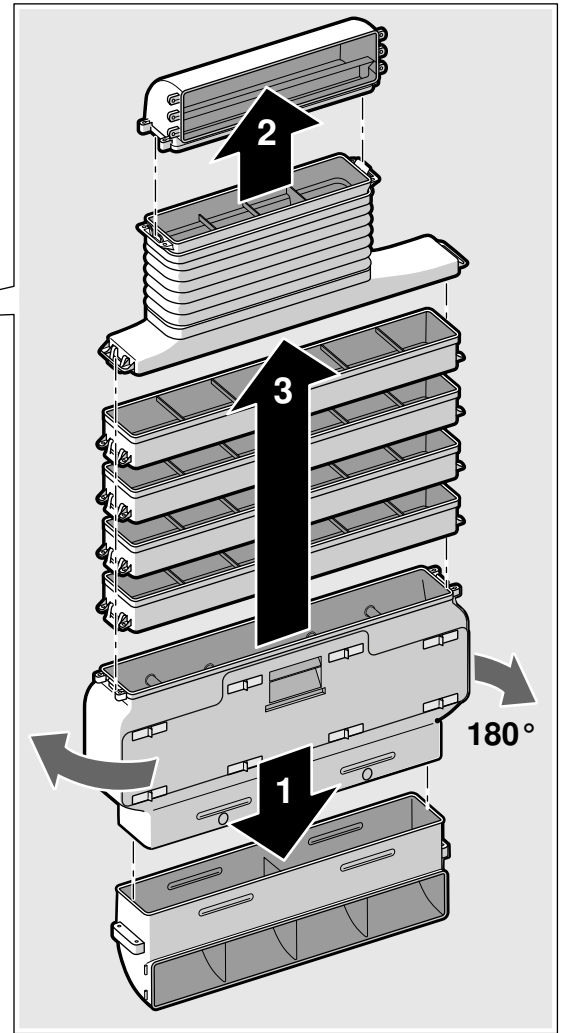
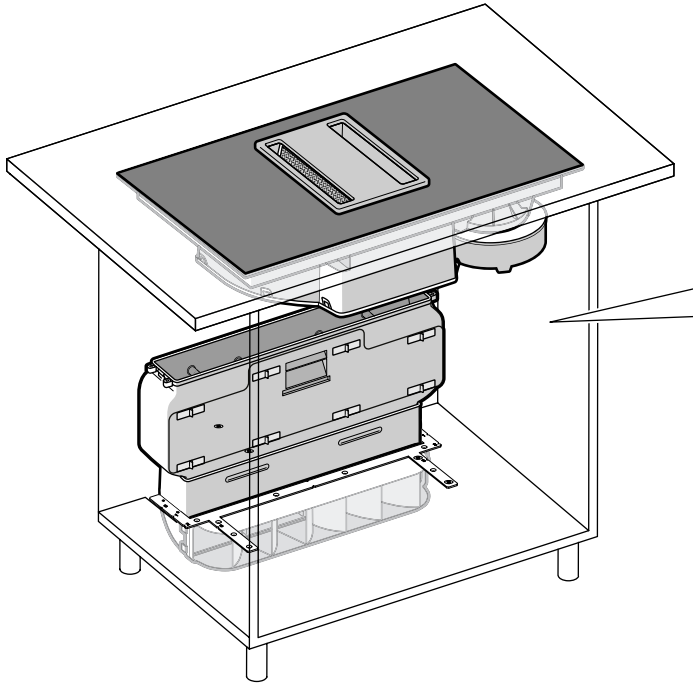
10c



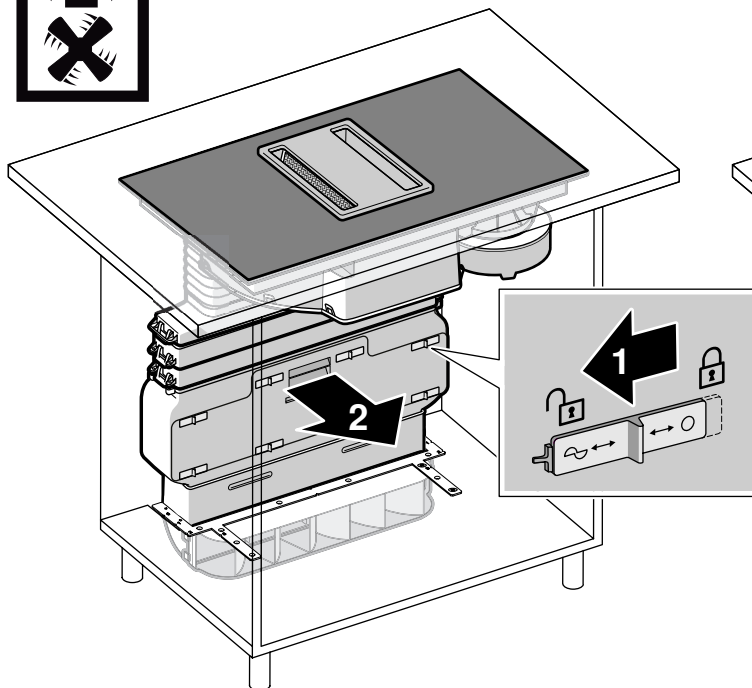
11



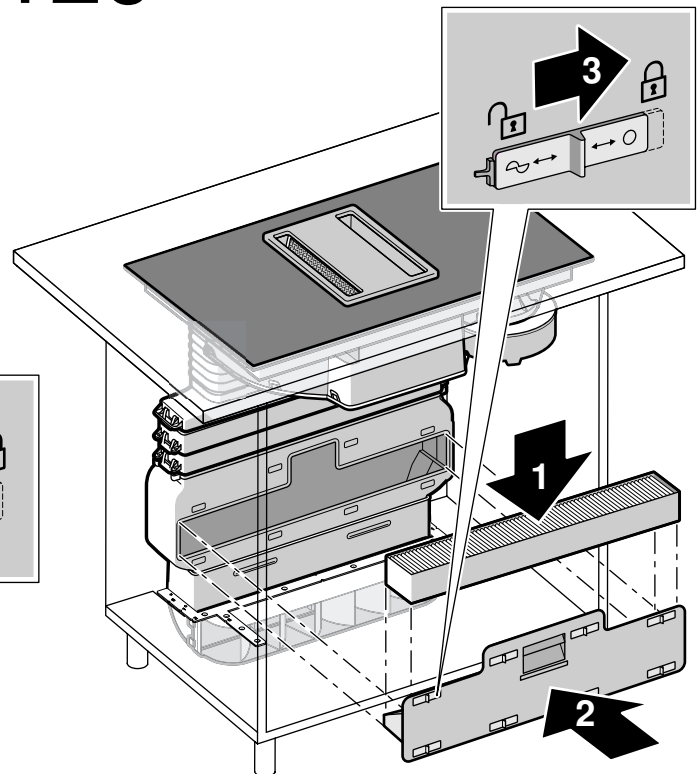
12a



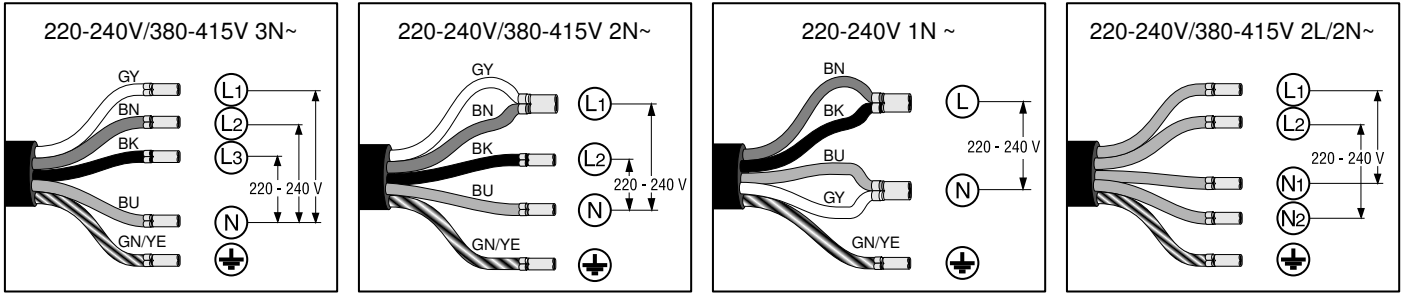
12b



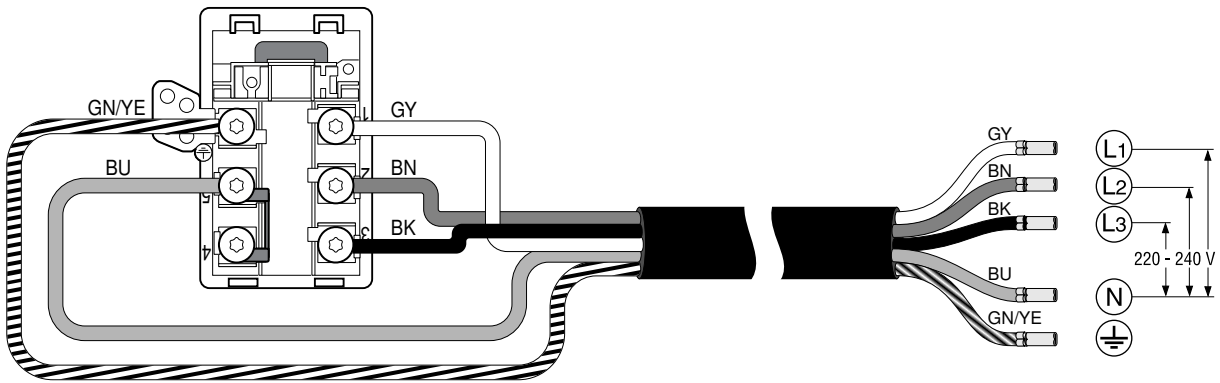
12c



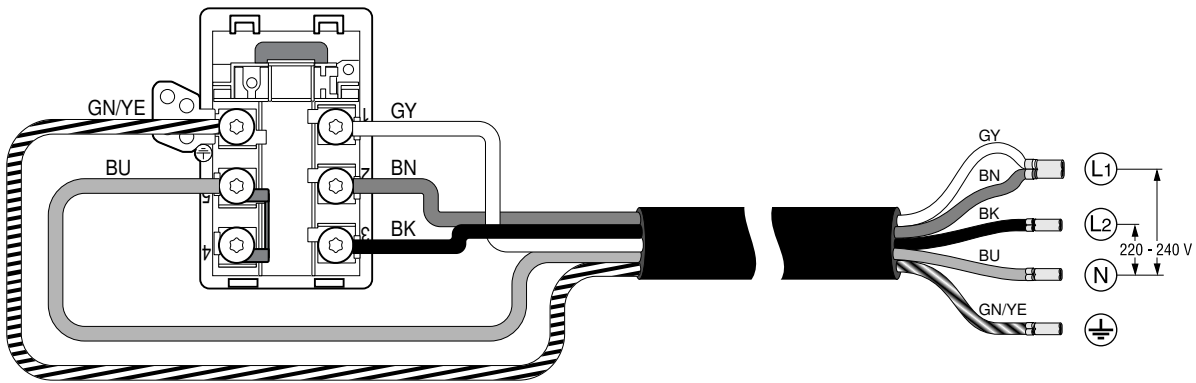
13



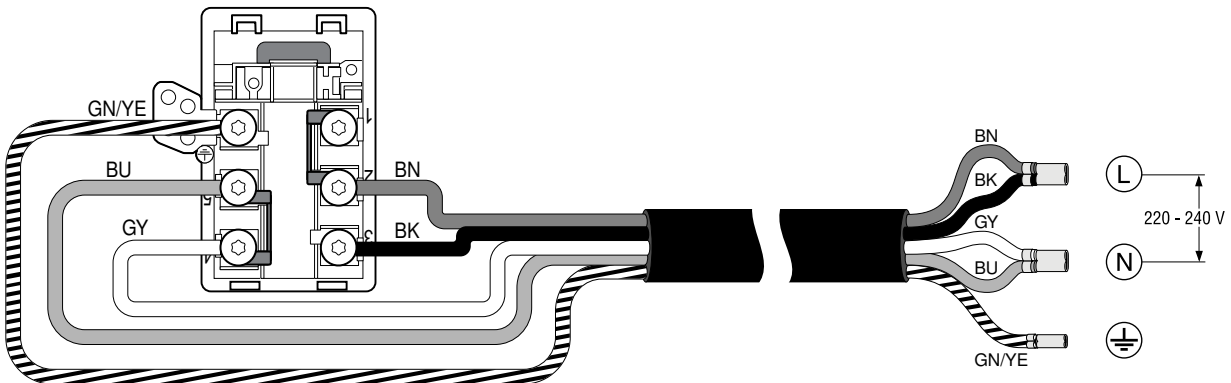
220-240V/380-415V 3N~



220-240V/380-415V 2N~



220-240V 1N~



⚠ Important safety information

Read these instructions carefully. Only then will you be able to operate your appliance safely and correctly. Retain the instruction manual and installation instructions for future use or for subsequent owners.

The appliance can only be used safely if it is correctly installed according to the safety instructions. The installer is responsible for ensuring that the appliance works perfectly at its installation location.

Wearers of electronic implants!

The appliance may contain permanent magnets which may affect electronic implants, e.g. heart pacemakers or insulin pumps. Therefore, during installation, wearers of electronic implants must maintain a minimum distance of 10 cm from the appliance.

The manufacturer shall assume no liability for malfunctions or damage resulting from incorrect electrical wiring.

Power cable: This may already be connected to the connection box on the hob or is supplied with the appliance. It must only be installed by an authorised expert or by a qualified member of the after-sales service team. The required connection data can be found on the type plate and in the connection diagram.

Use only the cable that is supplied with the appliance or is provided by technical after-sales service.

Before carrying out any type of work, turn off the electricity.

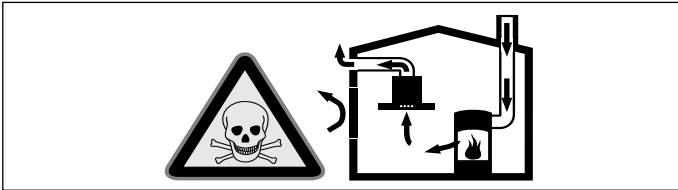
For the installation, observe the currently valid building regulations and the regulations of the local electricity and gas suppliers.

When conveying the exhaust air, official and legal regulations (e.g. state building regulations) must be followed.

Danger of death!

Risk of poisoning from flue gases that are drawn back in.

Always ensure adequate fresh air in the room if the appliance is being operated in exhaust air mode at the same time as room air-dependent heat-producing appliance is being operated.

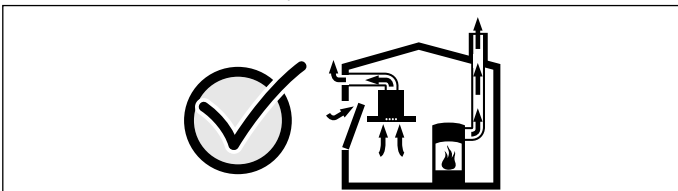


Room air-dependent heat-producing appliances (e.g. gas, oil, wood or coal-operated heaters, continuous flow heaters or water heaters) obtain combustion air from the room in which they are installed and discharge the exhaust gases into the open air through an exhaust gas system (e.g. a chimney).

In combination with an activated vapour extractor hood, room air is extracted from the kitchen and neighbouring rooms - a partial vacuum is produced if not enough fresh air is supplied. Toxic gases from the chimney or the extraction shaft are sucked back into the living space.

- Adequate incoming air must therefore always be ensured.
- An incoming/exhaust air wall box alone will not ensure compliance with the limit.

Safe operation is possible only when the partial vacuum in the place where the heat-producing appliance is installed does not exceed 4 Pa (0.04 mbar). This can be achieved when the air needed for combustion is able to enter through openings that cannot be sealed, for example in doors, windows, incoming/exhaust air wall boxes or by other technical means.



In any case, consult your responsible Master Chimney Sweep. He is able to assess the house's entire ventilation setup and will suggest the suitable ventilation measures to you.

Unrestricted operation is possible if the vapour extractor hood is operated exclusively in the circulating-air mode.

Risk of death!

Risk of poisoning from flue gases being drawn back in. When installing a ventilation system in an open-flued boiler, the electricity supply to the ventilation system must be provided with a suitable safety switch.

Risk of fire!

Grease deposits in the grease filter may catch fire. Never work with naked flames close to the appliance (e.g. flambéing). Do not install the appliance near a heat-producing appliance for solid fuel (e.g. wood or coal) unless a closed, non-removable cover is available. There must be no flying sparks.

Risk of injury!

- Changes to the electrical or mechanical assembly are dangerous and may lead to malfunctions. Do not make any changes to the electrical or mechanical assembly.
- Parts that are accessible during installation may have sharp edges. Wear protective gloves.
- The appliance is heavy. To move the appliance, 2 people are required. Use only suitable tools and equipment.
- There is a risk of injury while the fan is rotating. Do not switch the appliance on until it has been installed. Never reach into the air extraction opening on the rear of the appliance while it is in operation.

Danger of suffocation!

Packaging material is dangerous to children. Never allow children to play with packaging material.

Do not install this appliance on boats or in vehicles.

Hob: flat, horizontal, stable. Follow the hob manufacturer's instructions.

If the thickness of the worktop into which the hob is installed does not comply with the specifications, reinforce the worktop using a fire- and water-resistant material until it reaches the minimum thickness. Otherwise, sufficient stability cannot be guaranteed.

Notes

- The worktop into which the hob is installed should be able to withstand loads of approx. 60 kg.
- Adaptations to the work surface must be carried out by a specialist service provider in accordance with the installation diagram. The cut edge must be neat and precise because the edge is visible on the surface. Clean the cut edges with a suitable cleaning agent and degrease them.

General information

The surfaces of the appliance are easily damaged. Avoid damaging them during installation.

Exhaust air mode

Note: The exhaust air must not be conveyed into a functioning smoke or exhaust gas flue or into a shaft that is used to ventilate rooms in which heating appliances are installed.

If the exhaust air is to be conveyed into a non-functioning smoke or exhaust gas flue, you must obtain the consent of the heating engineer responsible.

Exhaust duct

Note: The appliance manufacturer does not provide any warranty for faults attributable to the pipe section.

- The appliance achieves its optimum performance by means of a short, straight exhaust air pipe and as large a pipe diameter as possible.
- As a result of long, rough exhaust air pipes, many pipe bends or pipe diameters that are smaller than 150 mm, the optimum extraction performance is not achieved and fan noise is increased.
- The pipes or hoses for laying the exhaust air line must consist of non-combustible material.
- If the exhaust air is conveyed through the outer wall, a telescopic wall box should be used.

Risk of damage from returning condensate. Install the exhaust duct in such a way that it falls away from the appliance slightly (1° slope).

Round pipes

An inside diameter of 150 mm is recommended.

Flat ducts

The inside cross-section must be the same as the diameter of the round pipes.

dia. 150 mm ca. 177 cm²

- Flat ducts should not have any sharp bends.
- Use sealing strips for different pipe diameters.

Circulating-air mode

Note: The appliance must only be operated when it is securely installed and the pipework is connected.

Electrical connection

The required connection information is on the appliance's identification plate.

This appliance complies with the EC interference suppression regulations.

Only a licensed professional may connect the appliance. The appliance must be installed in accordance with the most recent IEE (Institute of Electrical Engineers) guidelines. The appliance may be damaged if it is not connected correctly.

Make sure that the voltage of the power supply matches the value specified on the rating plate.

Make sure that the power supply is properly earthed, that the fuse protection is sufficient and the cable/wiring system in the building is sufficiently dimensioned for the electrical power of the appliance.

Comply with the following when installing the power cable:

- Ensure that the cable is not pinched or crushed.
- Keep the cable away from sharp edges.
- Ensure that the cable is not in contact with the metal casing on the underside of the appliance, as this becomes hot.

Check the household wiring before connecting the appliance. Ensure that there is sufficient fuse protection for the household wiring. The voltage and frequency of the appliance must match the electrical wiring (see rating plate).

The appliance corresponds to protection class I and must only be operated with a protective earth connection.

The wiring must have an all-pole isolating switch with a contact gap of at least 3 mm. This must still be accessible once the appliance has been installed.

Only a qualified electrician may install or replace the power cable, taking the relevant regulations into account.

When replacing the power cable, the appliance may need to be turned over. In this case, remove the filter cover and take out the container and the metal grease filter. Doing this will prevent these components from falling out.

If this appliance's power cable is damaged, it must be replaced with a H05V2V2-F power cable.

Preparing for installation

Appliance dimensions and safety clearances

- Take into account the appliance dimensions for air recirculation mode. **(Fig. A)**
- Take into account the appliance dimensions for air extraction mode. **(Fig. B)**
- Make sure that, once it is installed, there will be adequate access to the appliance for replacing the activated charcoal filter, emptying the overflow reservoir and removing the housing cover. **(Fig. C)**
- Comply with the safety clearances. **(Fig. C, 1)**

Checking the fitted unit

- The fitted unit must be level and have sufficient load-bearing capacity.
- The max. weight of the appliance is approx. **25 kg**.
- The fitted unit must be heat-resistant up to 90 °C.
- The fitted unit must still be sturdy after the cut-outs have been made.
- Use suitable supporting structural measures beneath the worktop, especially if the worktop is not very thick, to ensure that it is both robust and capable of bearing the required load. Take into account the weight of the appliance and any additional loads. The reinforcing material used must be heat and moisture resistant.
- The depth of the drawers under the appliance must be adapted depending on the pipes and the depth of the worktop. The top drawer must be removed and cannot be used.
- The clearance between the surface of the worktop and the upper area of the drawer must be 215 mm.
- Do not install ovens, refrigerators, dishwashers, washing machines or other appliances underneath the appliance.

Note: Check that the appliance is level once it has been installed in the installation opening.

Preparing the units

1. Make the cut-out in the worktop as shown in the installation drawing. **(Fig. 1)**

Note: The angle between the cut surface and the worktop must be 90°. The cut-out edges at the sides must be flat. For laminate worktops, it may be necessary to secure strips at the sides in the cut-out.

2. To ensure that the appliance works correctly, the hob must be sufficiently ventilated. To do this, make an air outlet with a minimum cross section of 200 cm² in the base unit.
3. Comply with the minimum clearances when installing over a drawer. **(Fig. C)**
4. Remove the top drawer and attach suitable facing to the kitchen unit.

Preparing the unit and appliance for use with air recirculation mode

Making a cut-out in the unit

1. Make an air outlet in the unit's toe kick.
Note: The air outlet must have a minimum cross section of approximately 720 cm². Make the outlet opening in the base panel as large as possible in order to keep draughts and noise to a minimum.
2. Remove the unit's back panel.
3. If necessary, remove the upper strip in the unit's back panel.
4. On the rear edge of the cut-out in the worktop, determine the centre point and mark this and the two lines vertically downwards on the bottom of the unit. **(Fig. 2a)**
5. Correctly position the fixing plate against the centre lines on the bottom of the unit. **(Fig. 2b)**
6. If drawers are fitted: Close the bottom drawer fully. If the fixing plate disappears too far underneath the drawer, move it towards the rear of the unit. Use the markings on the fixing plate to align it parallel to the centre line. **(Fig. 2c)**

Notes

- If the clearance between the drawer and the bottom of the unit is too small to screw the fixing plate to the bottom of the unit, turn the fixing plate 180° and screw it to the bottom of the unit from below **(Fig. 3b)**. Before you do this, align the fixing plate on the unit bottom from above to establish where it should be positioned. **(Fig. 2c)**
 - Choose the most appropriate extension based on the position of the fixing plate.
 - If the fixing plate cannot be pushed back far enough, use shallower drawers.
7. If necessary, use the fixing plate to mark out and make the cut-out in the unit bottom. **(Fig. 2d)**
 8. After making the cut-out, remove any shavings.

Note: Seal cut surfaces with heat-resistant and waterproof material.

Securely screwing on the fixing plate and clipping on the diffuser

1. If the clearance between the drawer and the bottom of the unit is sufficient, use plastic screws to secure the fixing plate to the lower flat duct bend from above. **(Fig. 3a)**
Note: If necessary, turn the lower flat duct bend so that the air outlet is on the opposite side.
2. Use wooden screws to secure the fixing plate to the bottom of the unit from above. **(Fig. 3a)**
Note: If the clearance between the drawer and the bottom of the unit is too small to screw the fixing plate to the bottom of the unit, turn the fixing plate 180° and screw it to the bottom of the unit from below. **(Fig. 3b)**
3. Clip the diffuser securely to the lower flat duct bend. **(Fig. 3c)**

Fitting the upper flat duct bend

1. If required, choose the extension based on the position of the fixing plate and the unit depth. The longer the extension, the deeper the drawer can be. Use four plastic screws to secure the extension to the hob's outlet opening. **(Fig. 4)**
2. Screw the upper flat duct elbow securely to the hob's outlet opening or the extension.

Preparing the unit and appliance for use with air extraction mode

1. Use four plastic screws to secure the reducing connector or flat duct elbow to the hob's outlet opening or the extension. **(Fig. 5)**
Note: If necessary, screw the appropriate extension to the hob. Measure the permitted depth T of the drawer – make sure you leave a clearance of 10 mm from the exhaust air pipe. The depth of the drawer may vary, depending on the extension used. **(Fig. 5)**
2. Depending on the air extraction system configuration, make a cut-out in the rear panel of the unit for the exhaust air pipe, remove the rear panel of the unit or make a cut-out in the bottom of the unit.
3. After making the cut-out, remove any shavings.

Note: Seal cut surfaces with heat-resistant and waterproof material.

Preparing for the electrical connection work

Note: Refer to the **Electrical connection** section in the **General information** chapter.

On appliances that do not have a pre-installed cable, insert the mains cable into the socket.

1. Turn the hob over and put it down on the base of the packaging, a cloth or another surface in order to prevent scratches.
2. Use a screwdriver to lift up the socket's cover. **(Fig. 6)**
3. Undo the fastening screw and use a screwdriver to lift the hose clamp. **(Fig. 7)**
4. Only connect to the mains socket as shown in the figure **(Fig. 8)**:

BN: Brown
BU: Blue
GN/YE: Yellow and green
BK: Black
GY: Grey

Notes

- If required, fit the copper bridges provided as shown in the circuit diagram.
 - Ensure that the screws on the mains socket are screwed in tightly after the cables have been connected.
 - For a 2N~/3N~ connection, the live wire L1 (grey) corresponds to the fan motor.
5. Use the hose clamp to secure the mains cable and tighten the fastening screw. **(Fig. 9)**
 6. Close the cover on the socket.
Note: Arrange the cables in the central area of the mains socket in order to facilitate the fastening.

Note: If a longer power cord is required, please contact after-sales service. Connecting cables up to 2.20 m long are available.

Installing the appliance

⚠ Wearers of electronic implants!

The appliance may contain permanent magnets which may affect electronic implants, e.g. heart pacemakers or insulin pumps. Therefore, during installation, wearers of electronic implants must maintain a minimum distance of 10 cm from the appliance.

⚠ Risk of electric shock!

Components inside the appliance may have sharp edges. These may damage the connecting cable. Do not kink or pinch the connecting cable during installation.

⚠ Risk of injury!

Parts that are accessible during installation may have sharp edges. Wear protective gloves.

Installing the hob

1. Attach the mounting rails. **(Fig. 10a)**
For stone worktops, glue the rails (to do this, use a heat-resistant adhesive suitable for gluing metal and stone).
2. Insert the appliance into the cut-out in the worktop. **(Fig. 10b)**
3. Attach the retaining clips supplied and tighten them carefully. Align the cooking surface with the working surface using the retaining clips. **(Fig. 10c)**

Note: Do not use an electric screwdriver.

Connecting the appliance

Notes

- For air extraction mode, a back-pressure flap with a maximum opening pressure of 65 Pa should be installed. If a back-pressure flap is not included with the appliance, one can be ordered from a specialist retailer.
- If the exhaust air is conveyed through the outer wall, a telescopic wall box should be used.

Connecting the air extractor

1. Attach the exhaust air pipe to the flat duct bend or the reducing connector. **(Fig. 11)**
2. Connect it to the exhaust air opening.
3. Use suitable means to seal the joints.

Establishing the connection for the circulated air

1. Clip or, if necessary, screw the filter module securely to the lower flat duct bend. **(Fig. 12a)**

Note: If necessary, turn the filter module to allow the drawer for the activated charcoal filter to be opened from the opposite side.

2. Clip the flexible connecting element securely to the upper flat duct bend.
3. Use the flexible connecting element to connect the filter module to the upper flat duct bend.

Note: If necessary, fit extensions between the filter module and the flexible connecting element.

4. Open all of the locks on the drawer. Open the drawer. **(Fig. 12b)**
5. Insert the activated charcoal filter. **(Fig. 12c)**
6. Close the drawer.
7. Close all of the locks on the drawer.

Establishing a connection to the mains

- Voltage: See the rating plate.
- Only connect as shown in the circuit diagram **(Fig. 13)**:
BN: Brown
BU: Blue
GN/YE: Green and yellow
BK: Black
GY: Grey
- Depending on the type of connection, the arrangement of the ferrule terminals supplied by the factory may need to be changed. To do this, the ferrule terminals may need to be shortened and the insulation removed in order to insert a ferrule terminal that connects two cables.

Note: Check that the appliance is ready for operation: If **U400**, **E05 13** or **E** appears on the appliance's display, the appliance is not connected correctly. Disconnect it from the power supply and check the power cord connection.

Switching the display to air extraction mode or air recirculation mode

For air extraction mode and air recirculation mode, if necessary, switch the electronic control unit's display accordingly to the basic settings.

To do this, refer to the **Basic settings** section in the instruction manual.

Removing the appliance

1. Disconnect the appliance from the power supply.

⚠ Risk of electric shock !

- When disconnecting the hob from the power supply, the terminals may cause reverse voltage. The electrical connection must only be carried out by a licensed expert.
2. Remove the exhaust air duct or disconnect the air recirculation connections.
 3. Push out the appliance from below.

Caution!

Damage to the appliance: Do not prise out the appliance from above.

⚠️ Vigtige sikkerhedsanvisninger

Læs denne vejledning omhyggeligt igennem. Det er en forudsætning for, at apparatet kan betjenes sikkert og korrekt. Opbevar brugs- og montagevejledningen til senere brug eller til kommende ejere af apparatet.

Sikkerheden under brug er kun sikret, hvis emhætten er blevet monteret korrekt iht. monteringsvejledningen. Installatøren har ansvaret for, at apparatet fungerer fejlfrit på opstillingsstedet.

Personer med elektroniske implantater!

Apparatet kan indeholde permanente magneter, som kan påvirke elektroniske implantater, f.eks. pacemakere eller insulinpumper. Overhold derfor en minimumafstand på 10 cm til elektroniske implantater ved montagen.

Producenten hæfter ikke for fejl ved driften og eventuelle skader, som skyldes forkert elektrisk installation.

Netkabel: Det er eventuelt allerede tilsluttet i kogesektionens tilslutningsboks eller er leveret sammen med apparatet.

Netkablet må kun installeres af en autoriseret elektriker hhv. af en kvalificeret kundeservice-medarbejder. De krævede tilslutningsdata er angivet på typeskiltet.

Kun det netkabel, som er leveret sammen med apparatet eller er leveret af kundeservice, må anvendes.

Inden der gennemføres noget arbejde skal strømforsyningen afbrydes.

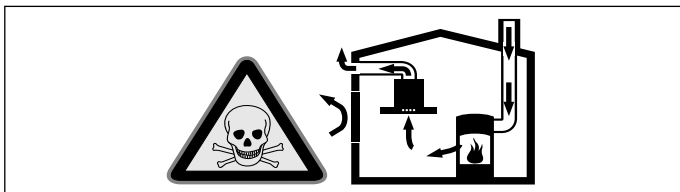
Til installationen skal de aktuelt gyldige byggeforskrifter og forskrifterne fra de lokale strøm- og gasforsyningsselskaber følges.

Ved afledning af udsugningsluft skal myndigheds- og lovgivningsforskrifter (f.eks. nationale byggeforskrifter) overholdes.

Livsfare!

Retursugning af forbrændingsgasser kan medføre forgiftning.

Sørg altid for tilstrækkelig lufttilførsel, når emhætten anvendes med aftræksfunktionen i samme rum som et ildsted, hvis lufttilførsel sker fra indeluften.

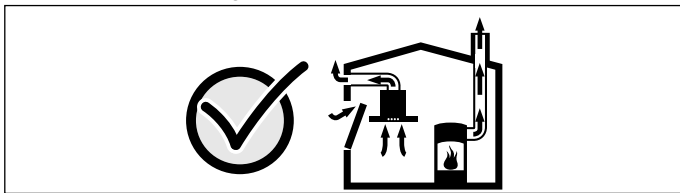


Ildsteder, hvis lufttilførsel sker fra indeluften, (f.eks. gas-, olie-, træ- eller kulfyrede varmeapparater, gennemstrømningsvandvarmere, vandvarmere) henter deres forbrændingsluft fra opstillingsrummet og fører røggassen ud gennem en røggaskanal (f.eks. skorsten) til det fri.

En tændt emhætte trækker indeluft ud af køkkenet og tilstødende rum. Hvis lufttilførslen er utilstrækkelig, opstår der et undertryk. Derved kan giftige gasser fra skorstenen eller aftrækskanalen blive suget tilbage og ind i beboelsesrummene.

- Derfor skal der altid være en tilstrækkelig stor lufttilførsel.
- En murkasse til lufttilførsel/aftræksluft alene sikrer ikke, at grænseværdien overholdes.

Risikofri drift er kun mulig, når undertrykket i rummet, hvor ildstedet er opstillet, ikke overskrider 4 Pa (0,04 mbar). Dette kan sikres ved, at den luft, der kræves til forbrændingen, kan strømme ind gennem åbninger, som ikke kan lukkes, f.eks. i døre, vinduer, igennem en murkasse til lufttilførsel/aftræksluft eller ved andre tekniske foranstaltninger.



Spørg under alle omstændigheder den ansvarshavende skorstensfejermester til råds. Vedkommende kan bedømme husets samlede ventilationssituation og forslå en passende ventilationsforanstaltning.

Benyttes emhætten udelukkende i cirkulationsdrift, kan den benyttes uden indskrænkninger.

Livsfare!

Retursugning af forbrændingsgas kan medføre forgiftning. Ved installation af ventilation ved et ildsted, som forbruger rumluft, skal ventilationen forsynes med en egnet sikkerhedsafbryder.

Brandfare!

Fedtaflejringer i fedtfilteret kan blive antændt. Der må ikke arbejdes ved åben ild (f.eks. flambering) i nærheden af emhætten.

Emhætten må kun installeres i nærheden af et ildsted til fast brændsel (f.eks. træ eller kul), hvis der forefindes en lukket, ikke aftagelig afdækning. Der må ikke kunne forekomme gnister.

Fare for tilskadekomst!

- Ændringer i den elektriske eller mekaniske konstruktion er farlige og kan medføre fejlfunktioner. Foretag ikke ændringer i den elektriske eller mekaniske konstruktion.
- Komponenter, som er frit tilgængelige under montagen, kan have skarpe kanter. Brug beskyttelseshandsker.
- Emhætten er tung. Der kræves 2 personer for at flytte emhætten. Anvend kun egnede hjælpemidler.
- Roterende ventilatorer udgør en risiko for tilskadekomst. Tænd kun for apparatet, når det er indbygget. Stik aldrig hånden ind i aftræksåbningen på apparatets bagside under igangværende drift.

Fare for kvælning!

Emballagemateriale er farligt for børn. Sørg for, at børn ikke leger med emballagemateriale.

Dette apparat er ikke beregnet til indbygning i både eller i køretøjer.

Bordplade: plan, vandret, stabil. Følg bordpladefabrikantens anvisninger.

Hvis tykkelsen af den bordplade, som kogesektionen skal indbygges i, ikke opfylder kravene, skal bordpladen forstærkes med et ild- og vandfast materiale, så den opnår den anbefalede minimumtykkelse. I modsat fald er stabiliteten ikke tilstrækkelig.

Anvisninger

- Bordpladen, hvor kogetoppen er indbygget, skal kunne tåle belastninger på op til ca. 60 kg.
- Tilpasningen af arbejdsfladen skal udføres af en specialfagmand iht. indbygningstegningen. Snitkanterne skal være udført klart og præcist, fordi kanterne er synlige på overfladen. Snitkanterne skal renses og affedtes med et egnet rengøringsmiddel.

Generelle anvisninger

Apparatets overflader er sarte. Undgå beskadigelser under installationsarbejdet.

Drift med aftræksfunktion

Bemærk: Aftræksluften må ikke ledes ud i skorstenene, som anvendes til afledning af røggas, eller i skakte, som bruges til afledning af luft fra rum, hvor der er installeret ildsteder til fast brændsel.

Hvis aftræksluften ledes ind i en nedlagt skorsten til røggas, skal installationen godkendes af den ansvarshavende skorstensfejermester.

Aftræksledning

Bemærk: Producenten af apparatet påtager sig ikke ansvaret for mangler ved reklamationer, hvis årsag skyldes rørføringen.

- Apparatet opnår den optimale ydelse med et kort, lige aftræksrør og så stor rørdiameter, som muligt.
- Ved lange, ru aftræksrør, mange rørbøjninger eller ved en rørdiameter under 150 mm, opnås den optimale udsugningseffekt ikke, og støjen fra ventilatoren bliver kraftigere.
- Rør eller slanger, der anvendes til aftræksledningen, skal være udført af ikke-brændbare materialer.
- Hvis aftræksluften ledes gennem en ydervæg, bør der anvendes en teleskop-murkasse.

Fare for beskadigelse som følge af tilbageløb af kondensvand. Aftrækskanalen fra emhætten skal installeres med et svagt fald (1° fald).

Runde kanaler

Der anbefales en indvendig diameter på 150 mm.

Fladkanaler

Det indvendige tværsnit skal svare til de runde kanalers diameter.

Ø 150 mm svarer til ca. 177 cm²

- Fladkanaler bør ikke have skarpe knæk.
- Ved afvigende kanaldiameter skal der anvendes tætningsstrimler.

Recirkulationsdrift

Bemærk: Apparatet må kun anvendes, når det er fast installeret og med tilsluttet rørsystem.

Elektrisk tilslutning

De krævede tilslutningsdata er angivet på apparatets typeskilt.

Denne emhætte er i overensstemmelse med gældende EF-bestemmelser om radiostøjdæmpning.

Apparatet må kun tilsluttes af en autoriseret fagmand. Apparatet skal installeres i henhold til de nyeste IEE-retningslinjer (Institution of Electrical Engineers). Hvis apparatet tilsluttes forkert, kan det blive beskadiget.

Kontroller, at spændingen i det aktuelle strømforsyningsnet stemmer overens med den angivne værdi på typeskiltet.

Kontroller, at strømforsyningsnettet er korrekt forbundet med jord, og at bygningens afsikring samt kabel- og ledningssystem er tilstrækkeligt dimensioneret til apparatets elektriske effekt.

Ved udlægningen af tilslutningskablet skal følgende punkter overholdes:

- Kablet må ikke komme i klemme.
- Kablet må ikke komme i berøring med skarpe kanter.
- Kablet må ikke komme i berøring med metalkabinettet på apparatets underside, fordi det bliver meget varmt.

Kontroller den elektriske installation i huset, inden apparatet tilsluttes. Der skal være en egnet afsikring i husets installation. Apparatets spænding og frekvens skal stemme overens med den elektriske installation (se typeskilt).

Apparatet er klassificeret i beskyttelsesklasse I og må kun anvendes med en sikkerheds-jordforbindelse.

Der skal indgå en alpolet afbryder med mindst 3 mm kontaktafstand i installationen. Afbryderen skal være tilgængelig efter indbygningen.

En evt. flytning eller udskiftning af tilslutningsledningen må kun udføres af en faguddannet elektriker i henhold til de gældende forskrifter.

Ved udskiftning af nettilslutningsledningen kan det være nødvendigt at vende apparatet om. Tag i så fald filterdækslet af og beholderen med metalfedtfilteret ud. Derved forhindres, at disse komponenter falder ud.

Hvis apparatets nettilslutningsledning beskadiges, skal den udskiftes med en tilslutningsledning type H05V2V2-F.

Forberede installation

Apparatets mål og sikkerhedsafstande

- Vær opmærksom på apparatets mål ved recirkulationsdrift. (**fig. A**)
- Vær opmærksom på apparatets mål ved drift med aftræk. (**fig. B**)
- Sørg for, at der efter installationen er tilstrækkelig fri adgang til apparatet til skift af aktivt kulfilter, tømning af overløbsbeholder og afmontage af kabinetafdækning. (**fig. C**)
- Overhold sikkerhedsafstandene. (**fig. C,1**)

Kontrol af køkkenelementet

- Køkkenelementet skal være justeret i vater og have en tilstrækkelig bæreevne.
- Apparatet vejer maksimalt ca. **25 kg**.
- Indbygningsskabet skal være temperaturbestandigt op til 90 °C.
- Det skal sikres, at indbygningsskabet stadig er stabilt, efter at udskæringerne er udført.
- Især ved tynde bordplader skal bæreevnen og stabiliteten sikres ved hjælp af egnede underkonstruktioner. Apparatets vægt inklusive ekstra belastninger skal medregnes. Det anvendte forstærkningsmateriale skal være varme- og fugtbestandigt.
- Skuffernes dybde under apparatet skal tilpasses afhængigt af rørføringen og bordpladens tykkelse. Den øverste skuffe skal fjernes og kan ikke benyttes.
- Afstanden mellem bordpladens overside og skuffemodulets overkant skal være 215 mm.
- Der må ikke indbygges ovne, køle-/fryseskabe, opvaskemaskiner, vaskemaskiner eller andre apparater nedenunder.

Bemærk: Efter installationen skal det kontrolleres, at apparatet er plant placeret i indbygningssåbningen.

Forberede indbygningsskab

1. Lav en udskæring i bordpladen iht. montagetegningen. (**fig. 1**)

Bemærk: Snitfladerne skal være vinkelrette (90°) i forhold til bordpladen. Udskæringskanternes sider skal være plane. Ved bordplader med flere lag skal der eventuelt befæstiges lister på siden af udskæringen.

2. Kogesektionen skal være tilstrækkeligt ventileret, i modsat fald kan det ikke garanteres, at apparatet fungerer korrekt. Hertil skal der laves en ventilationsåbning i underskabet med et areal på minimum 200 cm².
3. Overhold minimumafstandene ved indbygning over en skuffe. (**fig. C**)
4. Fjern den øverste skuffe, og anbring et passende panel på indbygningsskabet.

Forberede køkkenskab og apparat til recirkulationsdrift

Udskæring i køkkenskab

1. Der skal etableres en luftåbning i køkkenskabets sokkel.

Bemærk: Luftåbningen skal have et minimumareal på ca. 720 cm². Luftåbningen i sokkelpanelet skal være så stor som muligt for at reducere træk og støj mest muligt.

2. Fjern køkkenskabets bagvæg.
3. Fjern om nødvendigt den øverste liste på køkkenskabets bagvæg.
4. Fastlæg midterpunktet på bordpladeudskæringens bagkant, og marker midterpunktet og de to linjer lodret nedenunder på køkkenskabets bund. (**fig. 2a**)
5. Indjuster fikseringspladen på køkkenskabets bund i henhold til midterlinjen. (**fig. 2b**)
6. Ved skuffer: Luk den underste skuffe helt. Hvis fikseringspladen forsvinder for langt ind under skuffen, skal fikseringspladen forskydes i retning af køkkenskabets bagside. Indjuster fikseringspladen parallelt langs med midterlinjen ved hjælp af markeringserne i pladen. (**fig. 2c**)

Anvisninger

- Hvis afstanden mellem skuffen og køkkenskabets bund er for lille til, at fikseringspladen kan skrues fast, skal fikseringspladen drejes 180° og skrues på skabsbunden nedefra. (**fig. 3b**). Indjuster forinden fikseringspladen på køkkenskabets bund oppefra for at fastlægge fikseringspladens korrekte position. (**fig. 2c**)
- Vælg et passende forlængerstykke til recirkulationskanalen afhængigt af fikseringspladens placering.
- Hvis fikseringspladen ikke kan flyttes tilstrækkelig langt bagud, skal der anvendes skuffer med en mindre dybde.

7. Marker eventuelt udskæringens omrids på skabsbunden ved hjælp af fikseringspladen, inden udskæringen laves. (**fig. 2d**)
8. Fjern alle spåner, når udskæringen er færdig.

Bemærk: Snitfladerne skal forsegles varmebestandigt og vandtæt.

Skru fikseringspladen fast, og klips diffusoren på.

1. Skru fikseringspladen fast oppefra på den nederste fladkanalbøjning med fire kunststofskruer, hvis afstanden mellem skuffe og skabets bund er stor nok. (**fig. 3a**)

Bemærk: Drej om nødvendigt den nederste fladkanalbøjning, så luftaftrækket befinder sig på den modsatte side.

2. Skru fikseringspladen fast oppefra på bunden af køkkenskabet med træskruer. (**fig. 3a**)

Bemærk: Hvis afstanden mellem skuffen og køkkenskabets bund er for lille til, at fikseringspladen kan skrues fast, skal fikseringspladen drejes 180° og skrues på skabsbunden nedefra. (**fig. 3b**)

3. Klips diffusoren fast på den nederste fladkanalbøjning. (**fig. 3c**)

Montage af øverste fladkanalbøjning

1. Vælg om nødvendigt et forlængerstykke afhængigt af fikseringspladens placering og køkkenskabets dybde. Jo længere forlængerstykket er, desto dybere kan skuffen være. Skru forlængerstykket fast på kogesektionens aftræksåbning med fire kunststofskruer. (**fig. 4**)
2. Skru den øverste fladkanalbøjning fast på kogesektionens aftræksåbning eller på forlængerstykket med fire kunststofskruer.

Forberede køkkenskab og apparat til drift med aftræk

1. Skru reduktionsstudsene eller fladkanalbøjningen fast på kogesektionens aftræksåbning eller på forlængerstykket med fire kunststofskruer. (fig. 5)

Bemærk: Om nødvendigt skal der skrues et passende forlængerstykke fast på kogesektionen. Udmål den tilladte skuffedybde D, og overhold 10 mm afstand til røret til aftræksluft. Afhængigt af den anvendte forlænger, kan skuffedybden variere. (fig. 5)

2. Afhængigt af aftrækskanalens konfiguration skal der foretages en udskæring i køkkenskabet bagvæg eller bund, eller skabets bagvæg skal fjernes.
3. Fjern alle spåner, når udskæringen er færdig.

Bemærk: Snitfladerne skal forsegles varmebestandigt og vandtæt.

Forberede elektrisk tilslutning

Bemærk: Følg anvisningerne i afsnittet **Elektrisk tilslutning** i kapitlet **Generelle oplysninger**.

Ved apparater uden forinstalleret kabel skal netkablet føres ind i tilslutningsdåsen.

1. Vend kogetoppen om, og læg den på bunden af emballagen, på et klæde eller anden form for overflade, hvor en ikke bliver ridset.
2. Løft tilslutningsdåsens dæksel ved hjælp af en skruetrækker. (fig. 6)
3. Skru befæstigelseskraven ud, og løft spændebåndet ved hjælp af en skruetrækker. (fig. 7)
4. Må kun tilsluttes tilslutningsdåsen iht. tegningen (fig. 8):

BN: brun
BU: blå
GN/YE: Gul og grøn
BK: sort
GY: grå

Anvisninger

- Monter om nødvendigt de medfølgende kobber-kortslutningsbøjler iht. tilslutningstegningen.
 - Sørg for at spænde skrueene i tilslutningsdåsen fast til, når kablerne er tilsluttet.
 - Ved en 2N~/3N~ tilslutning svarer fase L1 (grå) til ventilatormotoren.
5. Fastgør netkablet med spændebåndet, og spænd befæstigelseskraven til. (fig. 9)
 6. Luk tilslutningsdåsens dæksel.

Bemærk: Placer kablerne i midterområdet af tilslutningsdåsen for at lette lukningen.

Bemærk: Kontakt kundeservice, hvis der er brug for en længere nettilslutningsledning. Der findes tilslutningsledninger med længder op til 2,20 m.

Montering af emhætte

⚠ Personer med elektroniske implantater!

Apparatet kan indeholde permanente magneter, som kan påvirke elektroniske implantater, f.eks. pacemakere eller insulinpumper. Overhold derfor en minimumafstand på 10 cm til elektroniske implantater ved montagen.

⚠ Fare for elektrisk stød!

Komponenterne indvendig i emhætten kan have skarpe kanter. Tilslutningskablet kan blive beskadiget. Sørg for, at tilslutningskablet ikke får knæk eller kommer i klemme under installationen.

⚠ Fare for tilskadekomst!

Komponenter, som er frit tilgængelige under montagen, kan have skarpe kanter. Brug beskyttelseshandsker.

Isætning af kogetop

1. Placer befæstigelsesskinnerne. (fig. 10a)
Ved bordplader af sten skal skinnerne limes på (anvend et varmebestandigt klæbestof, som er beregnet til limning af metal og sten).
2. Sæt apparatet ned i udskæringen i bordpladen. (fig. 10b)
3. Anbring de leverede befæstigelsesklemmer, og spænd dem forsigtigt til. Indjuster kogetoppen plant i forhold til bordpladen med befæstigelsesklemmerne. (fig. 10c)

Bemærk: Der må ikke anvendes elektrisk skruetrækker.

Tilslutning af apparat

Anvisninger

- Ved drift med aftræk bør der indbygges en kontraklap med et maksimalt åbningstryk på 65 Pa. Hvis der ikke følger en kontraklap med apparatet, kan den købes via forhandleren.
- Hvis aftræksluften ledes gennem en ydervæg, bør der anvendes en teleskop-murkasse.

Etablering af forbindelse til aftræksrøret

1. Fastgør aftræksrøret på fladkanalbøjningen eller på reduktionsstudsene. (fig. 11)
2. Forbind aftræksrøret med aftræksåbningen.
3. Tæt samlingerne med egnet materiale.

Etablering af aftræk til recirkulation

1. Klips filtermodulet fast på den nederste fladkanalbøjning, eller skru det om nødvendigt på. (fig. 12a)

Bemærk: Drej om nødvendigt filtermodulet, så skuffen til det aktive kulfilter kan åbnes fra den modsatte side.

2. Klips det bøjelige forbindelsesstykke fast på den øverste fladkanalbøjning.
3. Forbind filtermodulet og den øverste fladkanalbøjning med det bøjelige forbindelsesstykke.

Bemærk: Monter om nødvendigt forlængerstykket mellem filtermodulet og det bøjelige forbindelsesstykke.

4. Åbn alle lukkemekanismer på skuffen. Åbn skuffen. (fig. 12b)
5. Sæt det aktive kulfilter på plads. (fig. 12c)
6. Luk skuffen.
7. Luk alle lukkemekanismer på skuffen.

Etablering af strømtilførsel

- Spænding: Se typeskilt.
- Må kun tilsluttes iht. tilslutningsdiagrammet (fig. 13):
BN: brun
BU: blå
GN/YE: gul og grøn
BK: sort
GY: grå
- Afhængigt af tilslutningsmåden skal placeringen af ledningsmufferne, som er leveret fra fabrikkens side, evt. ændres. Hertil skal ledningerne eventuelt afkortes, og isoleringen fjernes for at kunne placere en ledningsmuffe, der forbinder to kabler.

Bemærk: Kontroller, om apparatet er klar til drift: Hvis *U400*, *E05 13* eller *E* vises i apparatets indikator, er det ikke tilsluttet korrekt. Afbryd strømforsyningen til apparatet, og kontroller strømkablets tilslutning.

Omstilling af indikator til drift med aftræk eller recirkulation

Ved drift med aftræk eller med recirkulation skal indikatoren for den elektroniske styring eventuelt omstilles tilsvarende i grundindstillingerne.

Se vedrørende dette kapitlet **Grundindstillinger** i brugsvejledningen.

Demontering af emhætte

1. Afbryd strømforsyningen til apparatet.

⚠ Fare for elektrisk stød !

Der kan stadig være strøm på kogesektionens klemmer, når de afbrydes fra strømmettet. Den elektriske tilslutning må kun udføres af en autoriseret elektriker.

2. Fjern aftrækskanalen eller recirkulationsforbindelserne.
3. Tryk apparatet op nedefra.

Pas på!

Beskadigelse af apparatet: Apparatet må ikke løftes med et værktøj oppefra.

⚠ Tärkeitä turvaohjeita

Lue tämä käyttöohje huolellisesti. Vasta sitten voit käyttää laitettasi turvallisesti ja oikein. Säilytä käyttö- ja asennusohje myöhempäälle käyttöä tai seuraavaa käyttäjää varten.

Turvallinen käyttö on taattu vain, kun asennus tehdään ammattitaitoisesti asennusohjeita noudattaen. Asentaja vastaa moitteettomasta toiminnasta laitteen asennuspaikassa.

Elektronisten implanttien käyttäjät!

Laitteessa voi olla kestopagneetteja, jotka voivat vaikuttaa elektronisiin implantteihin, esimerkiksi sydämentahdistimiin tai insuliinipumppuihin. Pidä sen tähden asennuksen yhteydessä vähintään 10 cm:n etäisyys elektronisiin implantteihin.

Valmistaja ei vastaa käyttöhäiriöistä tai mahdollisista vaurioista, jotka johtuvat virheellisestä sähköasennuksesta.

Verkkojohto: verkkojohto on mahdollisesti liitetty jo keittotason liitäntäkoteloon tai se toimitetaan laitteen mukana ja sen saa asentaa vain asianmukaisen koulutuksen saanut asentaja tai huoltoliikkeen edustaja. Tarvittavat liitäntätiedot löytyvät tyyppikilvestä ja liitäntäkuvasta.

Käytä vain laitteen mukana toimitettua tai teknisen huoltopalvelun toimittamaa johtoa.

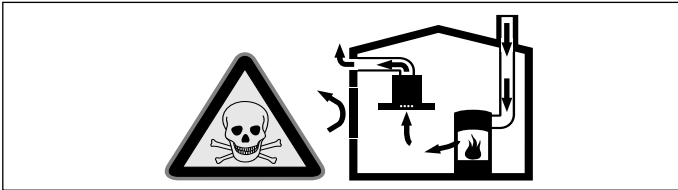
Jokaisen huoltotoimenpiteen yhteydessä on laitteesta katkaistava virta.

Asennettaessa tulee noudattaa voimassa olevia rakennusmääräyksiä ja paikallisen sähkö- ja kaasulaitoksen määräyksiä.

Poistoilman johtamisessa on noudatettava viranomaisten säädöksiä ja lakisääteisiä määräyksiä (esimerkiksi rakennuslainsäädäntö).

Hengenvaara!

Takaisin virtaavat poistoilmakaasut voivat aiheuttaa myrkytyksen. Huolehdi aina riittävästä tuloilmasta, jos laitetta käytetään poistoilmakäytössä yhdessä huoneilmaa tarvitsevan tulisijan kanssa.

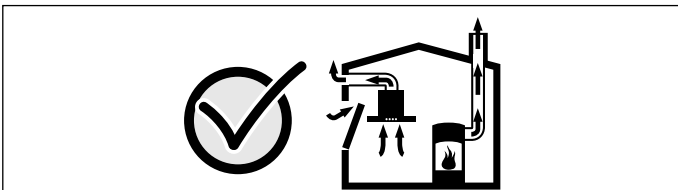


Huoneilmaa tarvitsevat tulisijat (esim. kaasu-, öljy-, puu- tai hiilikäyttöiset lämmityslaitteet, läpivirtauskuumennin, vedenkuumennin) ottavat polttoilman huonetilasta ja johtavat poistoilman poistoilmalaitteen (esim. savutorven) kautta ulos.

Tuuletin imee keittiöstä ja sen viereisistä huoneista ilmaa - tämä on korvattava riittävällä tuloilmalla - muutoin syntyy alipaine. Myrkylliset kaasut imeytyisivät takaisin huoneisiin savutorvesta tai poistoilmakanavasta.

- Siksi on huolehdittava aina riittävästä tuloilmasta.
- Seinään asennettu tuloilma-/poistoilmalaatikko ei yksin takaa raja-arvoissa pysymistä.

Turvallisuussyistä ei huoneessa, johon tuuletin on asennettu, vallitseva alipaine saa olla korkeampi kuin 4 Pa (0,04 mbar). Tämä saavutetaan, jos avattavista ja suljettavista aukoista kuten ovista, ikkunoista, tuloilma/poistoilma-seinäaukoista tai muista teknisistä toimenpiteistä johtuen palamisilman tilalle pääsee virtaamaan korvausilmaa.



Tuulettimen asentamista suunniteltaessa on kysyttävä neuvoa paikalliselta nuohoojalta, hän pystyy arvioimaan talon tuuletusta koskevan kokonaisratkaisun ja suosittelemaan sopivat tuuletusta koskevat toimenpiteet.

Mikäli tuuletinta käytetään vain kiertoilmakäytössä, käyttö on mahdollista ilman rajoituksia.

Hengenvaara!

Takaisin virtaavat poistoilmakaasut voivat aiheuttaa myrkytyksen. Kun tuuletin asennetaan tilaan, jossa on huoneilmaa käyttävä tulisija, tuulettimen virransyöttöön on asennettava asianmukainen turvakytkin.

Palovaara!

Rasvasuodattimeen kerääntynyt rasva voi syttyä tuleen. Älä pidä avotulta liesituulettimen läheisyydessä (esim. älä liekitä ruokia). Liesituulettimen saa asentaa kiinteillä polttoaineilla toimivien (esim. puu- tai hiililämmitteisten) liesien yläpuolelle vain, kun liesi on varustettu suljetulla, kiinteällä kannella. Kipinöitä ei saa muodostua.

Loukkaantumisvaara!

- Sähkötoimisen tai mekaanisen rakenteen muutokset ovat vaarallisia ja voivat aiheuttaa virhetoimintoja. Älä tee muutoksia sähkötoimiin tai mekaanisiin rakenteisiin.
- Rakenneosat, joihin pääset asennuksen aikana käsiksi, voivat olla teräväreunaisia. Käytä suojakäsineitä.
- Laitte on painava. Laitteen siirtämiseen tarvitaan 2 henkilöä. Käytä vain tarkoitukseen sopivia apuvälineitä.
- Pyörivät tuulettimensiivet aiheuttavat loukkaantumisvaaran. Kytke laite päälle vain, kun se on asennettu paikalleen. Älä vie kättäsi laitteen takasivulla olevaan ilmanpoistoaukkoon, kun laite on kytketty päälle.

Tukehtumisvaara!

Pakkausmateriaali on vaarallista pikkulapsille. Älä anna lasten leikkiä pakkausmateriaalilla.

Älä asenna tätä laitetta veneeseen tai autoon.

Keittotaso: tasainen, vaakasuora, vakaa. Noudata keittotason valmistajan ohjeita.

Jos työtason paksuus, johon keittotaso asennetaan, ei vastaa määräyksiä, vahvista työtason tulen- ja vedenkestävällä materiaalilla, kunnes suositeltu vähimmäispaksuus on saavutettu. Muutoin lujuus ei ole riittävä.

Huomautuksia

- Työtason, johon keittotaso asennetaan, pitää kestää n. 60 kg:n kuormitusta.
- Työtason pinnan sovitukset on teetettävä ammattiasentajalla asennuspiirustusten mukaan. Leikkausreunan pitää olla puhdas ja täsmällinen, koska reuna näkyy yläpinnalla. Puhdista leikkausreunat soveltuvalle puhdistusaineella ja poista niistä rasva.

Yleiset ohjeet

Laitteen pinnat vahingoittuvat helposti. Varo vahingoittamista pintoja asennuksen yhteydessä.

Toiminta hormiin liitettynä

Huomautus: Poistoilmaa ei saa johtaa toiminnassa olevaan savukanavaan tai ilmanvaihtohormiin eikä hormiin, joka on tarkoitettu tulisijojen sijoitushuoneiden ilmanvaihtoon.

Mikäli poistoilma johdetaan savukanavaan tai ilmanvaihtohormiin, joka ei ole käytössä, on siihen saatava lupa paikalliselta nuohoojalta.

Poistoilmaputki

Huomautus: Laitteen valmistaja ei vastaa putkista johtuvista reklamaatioista.

- Laitteen teho on parhaimmillaan, kun asennetaan lyhyt, suora, halkaisijaltaan mahdollisimman suuri poistoilmaputki.
- Poistoilman virtaus on parhaimmillaan ja äänitaso alhaisimmillaan, jos vältetään käyttämästä pitkiä, rosoisia poistoilmaputkia, kaariputkia tai halkaisijaltaan pienempiä kuin 150 mm putkia.
- Poistoilman johtamiseen käytettyjen putkien ja letkujen on oltava palamattomasta materiaalista.
- Jos poistoilma johdetaan ulkoseinän läpi, tulee käyttää teleskooppiiliitosta.

Paluukosteuden aiheuttama vaurioitumisvaara. Asenna laitteesta lähtevä poistoilmakanava hieman kaltevaksi (1° kaltevuus).

Pyöröputket

Suositus putkien sisähalkaisijaksi on 150 mm.

Laakeat kanavat

Sisäpoikkileikkauksen on vastattava pyöröputkien halkaisijaa.

Ø 150 mm n. 177 cm²

- Laakeissa kanavissa ei saisi olla jyrkkiä kääntöjä.
- Käytä tiivistysnauhaa, jos putkien halkaisijat ovat kooltaan poikkeavat.

Sähköliitännän valmistelu

Huomautus: Noudata kappaleessa **Sähköliitäntä** luvussa **Yleisiä ohjeita** olevia ohjeita.

Jos laitteessa ei ole valmiiksi asennettua johtoa, vie verkkojohto liitäntärasiaan.

1. Käännä keittotaso ylösalaisin ja aseta se pakkauksen pohjan päälle, liinalle tai muulle pinnalle, jotta vältät naarmuuntumisen.
2. Nosta liitäntärasian kantta ruuvimeisselin avulla. **(kuva 6)**
3. Irrota kiinnitysruuvi ja nosta kiristintä ruuvimeisselin avulla. **(kuva 7)**
4. Liitä liitäntärasiaan vain kuvan osoittamalla tavalla **(kuva 8)**:
BN: ruskea
BU: sininen
GN/YE: vihreä ja keltainen
BK: musta
GY: harmaa

Huomautuksia

- Asenna tarvittaessa mukana toimitetut kupariliittimet liitäntäkuvan mukaan.
 - Varmista, että liitäntärasiaassa olevat ruuvi kiristetään sen jälkeen, kun johdot on liitetty.
 - Liitännän 2N~/3N~ yhteydessä vastaa vaihe L1 (harmaa) tuuletinmoottoria.
5. Kiinnitä verkkojohto kiristimellä ja kiristä kiinnitysruuvi. **(kuva 9)**
 6. Sulje liitäntärasian kansi.

Huomautus: Sijoita johdot liitäntärasian keskelle, jotta sulkeminen on helpompaa.

Huomautus: Jos tarvitset pidemmän verkko-liitäntäjohtoon, ota yhteys huoltopalveluun. Käytettävissä on liitäntäjohtoja aina 2,20 m saakka.

Laitteen asentaminen

⚠ Elektronisten implanttien käyttäjät!

Laitteessa voi olla kestromagneetteja, jotka voivat vaikuttaa elektronisiin implantteihin, esimerkiksi sydämentahdistimiin tai insuliinipumppuihin. Pidä sen tähden asennuksen yhteydessä vähintään 10 cm:n etäisyys elektronisiin implantteihin.

⚠ Sähköiskun vaara!

Laitteen sisäpuolella olevat rakenneosat voivat olla teräväreunaisia. Liitäntäjohto voi vaurioitua. Varmista, että liitäntäjohto ei taivu jyrkälle mutkalle tai jää puristuksiin asennuksen aikana.

⚠ Loukkaantumisaava!

Rakenneosat, joihin pääset asennuksen aikana käsiksi, voivat olla teräväreunaisia. Käytä suojakäsineitä.

Keittotason asennus

1. Asenna kannatinkiskot. **(kuva 10a)**
Jos työtaso on kiveä, liimaa kiskot (käytä kuumuutta kestävää metallin ja kiven liimaamiseen soveltuvaa liimaa).
 2. Aseta laite paikalleen työtason aukkoon. **(kuva 10b)**
 3. Kiinnitä mukana toimitetut kiinnikkeet paikoilleen ja kiristä varovasti. Kohdista keittotaso kiinnikkeiden avulla samaan tasoon työtason kanssa. **(kuva 10c)**
- Huomautus:** Älä käytä sähkötoimista ruuvinväännintä.

Liitä laite

Huomautuksia

- Hormiliitäntäkäytössä pitää olla asennettuna takaiskuläppä, jonka suurin avautumispaine on 65 Pa. Jos laitteen mukana ei tule takaiskuläppää, se voidaan hankkia alan liikkeestä.
- Jos poistoilma johdetaan ulos ulkoseinän läpi, tulee käyttää teleskooppiliitosta.

Poistoilmaliitäntä

1. Kiinnitä poistoilmaputki laakean kanavan kaariosaan tai supistuskappaleeseen. **(kuva 11)**
2. Tee liitäntä poistoilma-aukkoon.
3. Tiivistä liitoskohdat sopivaa menetelmää käyttäen.

Kiertoilmaliitäntä

1. Kiinnitä suodatinmoduuli laakean kanavan kaariosaan kiinnikkeillä tai ruuveilla. **(kuva 12a)**
Huomautus: Käännä tarvittaessa suodatinmoduulia, jotta aktiivihiihisuodattimen laatikon saa avattua vastakkaiselta sivulta.
2. Kiinnitä joustava liitäntäelementti laakean kanavan ylempään kaariosaan.
3. Yhdistä suodatinmoduuli ja laakean kanavan ylempi kaariosa joustavan liitäntäelementin avulla.
Huomautus: Asenna tarvittaessa jatkokappaleet suodatinmoduulin ja joustavan liitäntäelementin väliin.
4. Avaa laatikon kaikki lukitsimet. Avaa laatikko. **(kuva 12b)**
5. Aseta aktiivihiihisuodatin paikalleen. **(kuva 12c)**
6. Sulje laatikko.
7. Sulje laatikon kaikki lukitsimet.

Laitteen liittäminen sähköverkkoon

- Jännite: ks. tyyppikilpi.
- Liitä vain liitäntäkaavion mukaan **(kuva 13)**:
BN: ruskea
BU: sininen
GN/YE: vihreä ja keltainen
BK: musta
GY: harmaa
- Liitäntätyypistä riippuen saatetaan tehtaalta toimitettujen johdinholkkien sijaintia joutua muuttamaan. Johtimia on tätä varten mahdollisesti lyhennettävä ja eriste poistettava, jotta voidaan asentaa kaksi johtoa yhdistävä johdinholkki.

Huomautus: Tarkasta laitteen käyttövalmius: jos laitteen näyttöön ilmestyy **U400, E05 13** tai **E**, laite ei ole oikein liitetty. Irrota laite sähköverkosta ja tarkasta virtajohtoon liitäntä.

Näytön muuttaminen poistoilmakäyttöön tai kiertoilmakäyttöön sopivaksi

Poistoilmakäyttöä ja kiertoilmakäyttöä varten on elektronisen ohjauksen näyttöä muutettava perusasetuksissa vastaavasti. Ota sitä varten huomioon käyttöohjeen luku **Perusasetukset**.

Laitteen irrottaminen

1. Irrota laite sähköverkosta.
⚠ Sähköiskun vaara !
Kun keittotaso irrotetaan sähköverkosta, liittimiin voi jäädä jännite. Sähköliitännän saa tehdä vain ammattiasentaja.
 2. Poista poistoilmakanava tai kiertoilmaliitäntä.
 3. Paina laite irti alhaalta päin.
- Huomio!**
Laitteauriot: Älä nosta laitetta ylhäältä päin.

⚠ Viktige sikkerhetsanvisninger

Les denne bruksanvisningen nøye. Det er en forutsetning for at du skal kunne bruke apparatet på en sikker og riktig måte. Ta vare på bruks- og monteringsanvisningen slik at du kan bruke den igjen senere eller gi den videre til eventuelle kommende eiere av apparatet.

Sikkerheten under bruken er kun garantert dersom monteringen foretas forskriftsmessig i henhold til monteringsveiledningen. Installatøren er ansvarlig for at apparatet fungerer som det skal på oppstillingsstedet.

Personer med elektroniske implantater!

Apparatet kan inneholde permanentmagneter som kan påvirke elektroniske implantater, som f.eks. pacemakere eller insulinpumper. Hold derfor en minsteavstand på 10 cm til elektroniske implantater ved monteringen.

Produsenten overtar ikke ansvar for driftsfeil eller mulige skader grunnet mangelfull elektrisk installasjon.

Strømledning: Denne er muligens allerede koblet til tilkoblingsboksen for platetoppen, eller den følger med apparatet og må da kun installeres av en elektriker eller kvalifisert personell fra kundeservice. De nødvendige tilkoblingsdataene står oppgitt på typeskiltet og i koblingsskjemaet.

Bruk kun den ledningen som følger med apparatet, eller en ledning levert av teknisk kundeservice.

Før alle arbeider må strømtilførselen brytes.

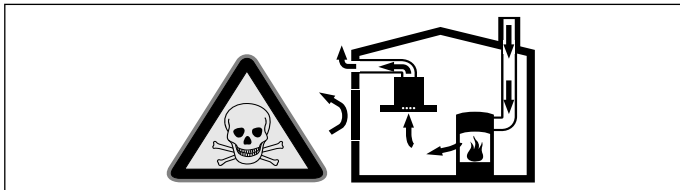
For installasjonen må det tas hensyn til de aktuelle gyldige byggeforskrifter og forskriftene fra strøm- og gassforsyningen på stedet.

Ta hensyn til lover og forskrifter (f.eks. bygningsloven) ved avledning av avluften.

Livsfare!

Tilbakesugde forbrenningsgasser kan føre til forgiftning.

Sørg alltid for nok tilførselsluft når apparatet skal brukes i utluftingsdrift samtidig med et romluftavhengig ildsted.

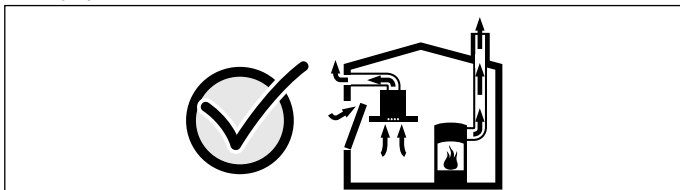


Ildsteder som er avhengig av romluft (f.eks. varmeapparater som drives med gass, olje eller kull, varmtvannsberedere) bruker forbrenningsluften fra oppstillingsrommet og leder avgassene gjennom et avgassanlegg (f.eks. pipe) i det fri.

I forbindelse med en innkoblet ventilator trekkes det romluft fra kjøkkenet og rommene ved siden av – uten tilstrekkelig tilførselsluft oppstår et undertrykk. Giftige gasser fra pipe eller avtrekksjakt suges tilbake til oppholdsrommene.

- Det må derfor alltid sørges for tilstrekkelig tilførselsluft.
- Bare en murkasse for tilførsels-/utblåsningsluft er ikke tilstrekkelig for å sikre at grenseverdien overholdes.

Sikker drift er bare da mulig, dersom undertrykket i rommet hvor ildstedet er plassert, ikke overskrider 4 Pa (0,04 mbar). Dette kan oppnås dersom forbrenningsluften kan strømme gjennom åpninger som ikke kan lukkes som f.eks. i dører, vinduer, i forbindelse med en murkasse for tilførsels-/utblåsningsluft eller ved hjelp av andre tekniske tiltak.



Du bør i alle fall rådføre deg med skorsteinsfeieren, som kan bedømme husets tilførselsluft og avtrekksluft og foreslår passende tiltak for ventilasjonen.

Hvis ventilatoren utelukkende benyttes i sirkulasjonsdrift, kan den brukes uten begrensninger.

Livsfare!

Tilbakesugde forbrenningsgasser kan føre til forgiftning. Ved installasjon av ventilator med et romluftavhengig ildsted må strømtilførselen til ventilatoren utstyres med en egnet sikkerhetskobling.

Brannfare!

Fettavleiringer i fettfilteret kan antennes. Arbeid aldri i nærheten av apparatet med åpen flamme (f.eks. flambering). Apparatet må kun installeres over en komfyr for faste fyringsmidler (f. eks. tre eller kull), dersom det finnes et lukket deksel som ikke kan tas av. Det må ikke forekomme gnistsprang.

Fare for skade!

- Endringer på elektriske eller mekaniske komponenter er farlige og kan føre til feilfunksjon. Gjennomfør ingen endringer på elektriske eller mekaniske komponenter.
- Deler som er tilgjengelige under montering, kan ha skarpe kanter. Bruk vernehansker under installasjon av apparatet.
- Apparatet er tungt. Det kreves 2 personer når apparatet skal flyttes. Bruk bare egnede hjelpemidler.
- Roterende vifter kan forårsake personskader. Apparatet må kun slås på i montert tilstand. Grip aldri inn i avtrekksåpningen på baksiden av apparatet mens apparatet går.

Fare for kvelning!

Emballasjematerialet er farlig for barn. Barn må aldri få leke med emballasjen.

Dette apparatet må ikke bygges inn i båter eller biler.

Benkeplate: flat, vannrett og stabil. Følg instruksjonene fra produsenten av koketoppen.

Dersom benkeplaten som koketoppen installeres i, ikke oppfyller kravene til tykkelse, må den forsterkes med et brann- og vannbestandig materiale slik at den anbefalte minimumstykkelsen oppnås. Ellers blir ikke stabiliteten god nok.

Merknader

- Benkeplaten som koketoppen skal installeres i, skal tåle en belastning på ca. 60 kg.
- Tilpasninger av arbeidsoverflaten må utføres av en spesialisert servicemann i henhold til monterings tegninger i samsvar med innbyggings-skissene. Snittkanten må være rent og nøyaktig tilskåret, da kanten er synlig på overflaten. Rengjør og avfett snittkantene med et egnet rengjøringsmiddel.

Generelle veiledninger

Overflaten av apparatet er ømfintlig. Ved installasjonen må skader unngås.

Utluftingsdrift

Merk: Avtrekksluften må ikke ledes igjennom en røyk- eller avgasskanal som er i drift, heller ikke igjennom en sjakt som brukes til ventilasjon av frysrom.

Dersom avtrekksluften skal føres igjennom en røyk- eller avgasskanal som ikke er i bruk, må det først innhentes tillatelse fra brannvesenet.

Utluftingsrør

Merk: Produsenten av apparatet har ikke garantiansvar ved reklamasjoner som skyldes rørlengden.

- Apparatet når optimal ytelse dersom avtrekksrøret er kort og rett og røret har størst mulig diameter.
- Med lange og ujevne avtrekksrør og mange bøyer eller rørdiameterer mindre enn 150 mm, oppnås det ikke optimalt avtrekk og viftestøyen blir høyere.
- Rørene eller slangene som brukes til avtrekkskanalen, må ikke være av brennbar materiale.
- Dersom avtrekksluften ledes gjennom ytterveggen, bør det brukes en teleskopisk veggboкс.

Fare for skade på kondensreturløpet. Utluftingskanalen fra apparatet må installeres med et svakt fall (1° fall).

Rundrør

Det anbefales en innvendig diameter på 150 mm.

Flatkanaler

Det innvendige tverrsnittet må tilsvare rundrørens diameter.

Ø 150 mm ca. 177 cm²

- Flatkanaler bør ikke ha skarpe vendinger.
- Sett inn tetningsstriper ved avvikende rørdiameterer.

Sirkulasjonsdrift

Merk: Apparatet må bare brukes når det er ordentlig installert og koblet til rørene.

Elektrisk tilkoping

De nødvendige tilkoblingsdataene står oppført på apparatets typeskilt.

Dette apparatet tilsvarer EU bestemmelsene om fjerning av radiostøy.

Apparatet må bare tilkobles av en godkjent fagperson. Apparatet må installeres i henhold til de nyeste IEE-retningslinjene (Institution of Electrical Engineers). Apparatet kan bli ødelagt ved feiltilkobling.

Forviss deg om at spenningsverdien for strømmettet stemmer overens med den verdien som står angitt på typeskiltet.

Påse at strømmettet er forskriftsmessig jordet, og at sikringene og kabel- og ledningssystemet i bygningen er tilstrekkelig dimensjonert for apparatets elektriske effekt.

Når du legger tilkoblingskabelen, må du være obs på følgende punkter:

- Ikke klem kabelen eller la den gnisse mot noe.
- Hold kabelen unna skarpe kanter.
- Ikke la kabelen komme nær metallhuset på undersiden av apparatet. Det blir svært varmt.

Før apparatet kobles til, må den elektriske installasjonen i huset kontrolleres. Sørg for at det er en egnet sikring i den elektriske installasjonen i huset. Apparatets spenning og frekvens må være i samsvar med den elektriske installasjonen (se typeskilt).

Apparatet er i samsvar med beskyttelsesklasse I og må bare kobles til en jordet stikkontakt.

Det skal inngå en flerpolet skillebryter med minst 3 mm kontaktavstand i installasjonen. Denne må være tilgjengelig etter innbyggingen.

Montering eller utskifting av tilkoblingsledning må bare foretas av elektriker, og alle gjeldende regler og forskrifter må følges.

Når strømledningen skal byttes, må apparatet muligens snus. Da må du ta av filterdekselet og ta ut beholderen og metallfettfilteret. Slik unngår du at komponenter faller ut.

Dersom strømledningen til apparatet har fått skade, må den skiftes ut med en spesiell tilkoblingsledning av type H05V2V2-F.

Forberede installasjonen

Apparatdimensjoner og sikkerhetsavstander

- Følg apparatets dimensjoner for omluftdrift. **(bilde A)**
- Følg apparatets dimensjoner for sirkulasjonsdrift. **(bilde B)**
- Påse at apparatet er lett nok tilgjengelig for skifte av aktivkullfilter, tømning av overløpsbeholderen og demontering av husdekselet etter at det er montert. **(bilde C)**
- Sørg for at sikkerhetsavstandene overholdes. **(bilde C,1)**

Kontroller innbyggingsmodulen.

- Innbyggingsmodulen må være innrettet vannrett og ha tilstrekkelig bæreevne.
- Apparatets maks. vekt er ca. **25 kg**.
- Innbyggingsmodulen må tåle temperaturer på inntil 90 °C.
- Innbyggingsmodulen må være stabil også etter utskjeringsarbeidet.
- Bæreevnen og stabiliteten til arbeidsplaten sikres med egnede underkonstruksjoner, spesielt hvis arbeidsplaten er tynn. Ta hensyn til apparatets vekt inkludert last. Det anvendte forsterkningsmaterialet må være varme- og fuktbestandig.
- Avhengig av rørsystemet og dybden på benkeplaten må dybden på skuffene under apparatet tilpasses. Den øverste skuffen må fjernes og kan ikke brukes.
- Avstanden mellom overflaten til benkeplaten og den øvre delen av skuffen må være 215 mm.
- Det skal ikke bygges inn stekeovner, kjøleapparater, oppvaskmaskiner, vaskemaskiner eller andre apparater under koketoppen.

Merk: Kontroller først etter installasjon at apparatet står jevnt i innbyggingsåpningen.

Klargjøre innbyggingsmoduler

1. Lag et snitt i benkeplaten i henhold til innbyggingssskissen. **(bilde 1)**

Merk: Det må være 90° vinkel på snittflaten i forhold til benkeplaten. Utskjæringskantene på sidene må være plane. Ved benkeplater som består av flere lag, må det eventuelt festes lister på sidene i utskjæringen.

2. For å sikre at apparatet fungerer korrekt, må koketoppen være tilstrekkelig ventilert. Lag et luftutløp i underskapet med et tverrsnitt på minst 200 cm².
3. Ved montering over en skuff må du overholde minsteavstandene. **(bilde C)**
4. Fjern den øverste skuffen og monter en egnet deksel på kjøkkenelementet.

Klargjøre kjøkkenelement og apparat for omluftdrift

Lage en utskjæring i kjøkkenelementet

1. Lag et luftutslipp i sokkelisten på kjøkkenelementet.
Merk: Luftutslippet må minst ha et tverrsnitt på ca. 720 cm². Utslippsåpningen i sokkeldekselet må være så stor som mulig, slik at trekk og støy holdes på et lavt nivå.
2. Fjern den bakre veggen til kjøkkenelementet.
3. Fjern den øvre listen på den bakre veggen til kjøkkenelementet ved behov.
4. Finn midtpunktet på den bakre kanten til utskjæringen i benkeplaten, og marker deretter midtpunktet og de to linjene loddrett nedover på bunnen av kjøkkenelementet. **(bilde 2a)**
5. Posisjoner fikseringsplaten på bunnen av kjøkkenelementet i henhold til midtlinjene. **(bilde 2b)**
6. For skuffer: Lukk den nederste skuffen helt. Hvis fikseringsplaten forsvinner for langt bak under skuffen, må fikseringsplaten skyves i retning av baksiden av kjøkkenelementet. Juster posisjonen til fikseringsplaten ved hjelp av markeringene, slik at den er parallell med midtlinjen. **(bilde 2c)**

Merknader

- Hvis avstanden mellom skuffen og kjøkkenelementbunnen er for liten for å skru fast fikseringsplaten på kjøkkenelementbunnen, må du snu fikseringsplaten 180° og skru den fast på kjøkkenelementbunnen nedenfra **(bilde 3b)**. Juster plasseringen til fikseringsplaten først ovenfra på kjøkkenelementbunnen for å finne riktig posisjon. **(bilde 2c)**
 - Du må velge riktig forlengelse avhengig av posisjonen til fikseringsplaten.
 - Hvis fikseringsplaten ikke kan skyves langt nok bakover, må du bruke skuffer med liten dybde.
7. Bruk fikseringsplaten til å merke utskjæringen i kjøkkenelementbunnen ved behov. **(bilde 2d)**
 8. Fjern spon etter utskjæring.

Merk: Snittflatene må gjøres varmebestandige og vanntette.

Skrus fast fikseringsplaten og fest diffusoren med festeklips

1. Hvis avstanden mellom skuffen og kjøkkenelementbunnen er stor nok, skal du skru fast fikseringsplaten med plastskruer ovenfra på den nedre flatkanalbuen. **(bilde 3a)**
Merk: Ved behov kan du snu den nedre flatkanalbuen, slik at luftutslippet ligger på motsatt side.
2. Skru fast fikseringsplaten med treskruer ovenfra på kjøkkenelementbunnen. **(bilde 3a)**
Merk: Hvis avstanden mellom skuffen og kjøkkenelementbunnen er for liten for å skru fast fikseringsplaten på kjøkkenelementbunnen, må du snu fikseringsplaten 180° og skru den fast på kjøkkenelementbunnen nedenfra. **(bilde 3b)**
3. Fest diffusoren på den nedre flatkanalbuen med festeklips. **(bilde 3c)**

Montere den øvre flatkanalbuen

1. Ved behov kan du velge forlengelsen avhengig av posisjonen til fikseringsplaten og kjøkkenelementdybden. Jo lengre forlengelsen er, jo dypere kan skuffen være. Skru fast forlengelsen på utslippsåpningen til koketoppen med fire plastskruer. **(bilde 4)**
2. Skru fast den øvre flatkanalbuen på utslippsåpningen til koketoppen eller på forlengelsen.

Klargjøre kjøkkenelement og apparat for sirkulasjonsdrift

1. Reduksjonsstussen eller flatkanalbuen må skrus fast med fire plastskruer på utslippsåpningen til koketoppen eller forlengelsen. **(bilde 5)**

Merk: Ved behov kan du skru fast en tilsvarende forlengelse på koketoppen. Mål tillatt dybde D for skuffen, og sørg for at det er 10 mm avstand til avtrekksrøret. Avhengig av hvilken forlengelse du bruker, kan du variere dybden på skuffen. **(bilde 5)**

2. Avhengig av avtrekkskonfigurasjonen for avtrekksrøret må det lages en utskjæring i den bakre kjøkkenelementveggen eller i bunnen av kjøkkenelementet, eller den bakre kjøkkenelementveggen fjernes.
3. Fjern spon etter utskjæring.

Merk: Snittflatene må forsegles sli at de blir varmebestandige og vanntette.

Klargjør den elektriske tilkoblingen

Merk: Følg avsnittet **Elektrisk tilkobling** i kapittelet **Generelle opplysninger**.

På apparater uten forhåndsinstallert kabel skal strømkabelen føres inn i stikkkontakten.

1. Snu koketoppen og plasser den i esken, på et klede eller en annen overflate for å unngå riper.
2. Løft opp dekselet til stikkkontakten ved hjelp av en skrutrekker. **(bilde 6)**
3. Løsne festeskruen og løft opp slangeklemmen med en skrutrekker. **(bilde 7)**
4. Tilkobling til stikkkontakten må kun skje i henhold til figur **(bilde 8)**:

BN: brun

BU: blå

GN/YE: gul og grønn

BK: svart

GY: grå

Merknader

- Monter de vedlagte kobberstroppene i henhold til koblingsskjemaet ved behov.
 - Sørg for at skruene på stikkkontakten trekkes til etter at kablene er koblet til.
 - På kontakter av typen 2N~/3N~ svarer fasen L1 (Grey) til ventilatormotoren.
5. Fest strømkabelen med en slangeklemme og trekk til festeskruen. **(bilde 9)**
 6. Lukk dekselet til stikkkontakten.

Merk: Plasser kablene i midtre del av stikkkontakten slik at den blir lettere å lukke.

Merk: Hvis du trenger en lengre strømlledning, kontakt kundeservice. Det finnes strømlledninger med inntil 2,20 m lengde.

Montering av apparatet

⚠ Personer med elektroniske implantater!

Apparatet kan inneholde permanentmagneter som kan påvirke elektroniske implantater, som f.eks. pacemakere eller insulinpumper. Hold derfor en minsteavstand på 10 cm til elektroniske implantater ved monteringen.

⚠ Fare for elektrisk støt!

Komponenter inni apparatet kan ha skarpe kanter. Strømkabelen kan bli skadet. Strømkabelen må ikke knekkes eller klemmes inn under installasjonen.

⚠ Fare for skade!

Deler som er tilgjengelige under montering, kan ha skarpe kanter. Bruk vernehansker under installasjon av apparatet.

Montere koketopp

1. Sett på festeskinner. **(bilde 10a)**
Ved benkeplater av stein limes skinnene fast (bruk varmebestandig lim som er egnet til liming av metall og stein).
2. Sett apparatet inn i utskjæringen i benkeplaten. **(bilde 10b)**
3. Monter de medfølgende festeklemmene og stram forsiktig. Juster koketoppen med festeklemmene slik at den er i flukt med benkeplaten. **(bilde 10c)**

Merk: Ikke bruk elektrisk skrutrekker.

Koble til apparatet

Merknader

- Ved sirkulasjonsdrift bør det monteres en tilbakeslagsventil med et maksimalt åpningstrykk på 65 Pa. Dersom det ikke følger en tilbakeslagsventil med apparatet, kan den kjøpes hos en forhandler.
- Dersom avtrekksluften ledes gjennom ytterveggen, bør det brukes en teleskopisk veggboкс.

Lage avluftsforbindelse

1. Avluftsøret festes til flatkanalbuen eller reduksjonsstussen. **(bilde 11)**
2. Lag forbindelse til avtrekksåpningen.
3. Tett igjen forbindelsespunktene på egnet vis.

Lage sirkulasjonsforbindelse

1. Filtermodulen må festes med klips på den nedre flatkanalbuen eller skrus fast ved behov. **(bilde 12a)**

Merk: Ved behov kan filtermodulen snus, slik at skuffen for aktivkullfilteret kan åpnes fra motsatt side.

2. Fest den fleksible forbindelsesdelen på den øvre flatkanalbuen med klips.
3. Koble sammen filtermodulen og den øvre flatkanalbuen med den fleksible forbindelsesdelen.

Merk: Ved behov kan du montere forlengelser mellom filtermodulen og den fleksible forbindelsesdelen.

4. Åpne alle lukkeelementene på skuffen. Åpne skuffen. **(bilde 12b)**
5. Sett inn aktivkullfilter. **(bilde 12c)**
6. Lukk skuffen.
7. Lukk alle lukkeelementene på skuffen.

Koble til strømmen

- Spenning: Se typeskilt.
- Tilkobling må utføres i samsvar med koblingsskjema **(bilde 13)**:
BN: brun
BU: blå
GN/YE: gul og grønn
BK: svart
GY: grå
- Avhengig av tilkoblingstype må eventuelt plasseringen av endehylsene som følger med fra fabrikk, endres. For å sette inn en endehylse som forbinder to kabler, må lederne om nødvendig forkortes og isolasjonen fjernes.

Merk: Kontroller om apparatet er klart til bruk: Viser **U400**, **E05 13** eller **E** i apparatets display, er det ikke riktig tilkoblet. Koble apparatet fra strømmen og kontroller at strømlledningen er riktig koblet til.

Stille inn displayet på sirkulasjonsdrift eller omluftsdrift

Ved behov kan displayet for den elektroniske styringen stilles om for sirkulasjonsdrift og omluftsdrift i grunninnstillingene.

Da må du se kapittelet **Grunninnstillinger** i bruksanvisningen.

Demontering av apparatet

1. Koble apparatet fra strømmettet.

⚠ Fare for strømstøt !

Når du kobler platetoppen fra strømmettet, kan klemmene fortsatt være spenningsførende. El-installasjonen må kun utføres av fagfolk.

2. Fjern avtrekkskanalen eller løsne omluftsforbindelsene.
3. Skyv ut apparatet nedenfra.

Obs!

Skader på apparatet: Apparatet må ikke lirkes ut ovenfra.

⚠ Viktiga säkerhetsanvisningar!

Läs bruksanvisningen noggrant. Det är viktigt för att du ska kunna använda enheten säkert och på rätt sätt. Spara bruks- och monteringsanvisningen för framtida bruk och eventuella kommande ägare.

En säker användning kan bara garanteras om spisfläkten monteras på fackmässigt sätt och i enlighet med monteringsanvisningen. Installatören ansvarar för en felfri funktion på platsen.

Om du har elektroniska implantat!

Enheten kan innehålla permanentmagneter som kan påverka elektroniska implantat som t.ex. pacemaker och insulinpumpar. Håll 10 cm minimiavstånd vid installation om du har elektroniska implantat.

Tillverkaren tar inget ansvar för driftstörningar eller ev. skador som beror på felaktig elinstallation.

Sladden: den kan antingen redan vara ansluten till hällens kopplingsdosa eller så medföljer den enheten och då får bara behörig elektriker resp. servicetekniker installera den. Du hittar de anslutningsuppgifter du behöver på typskylten och kopplingsschemat.

Använd bara den sladd som medföljer enheten eller som service levererat.

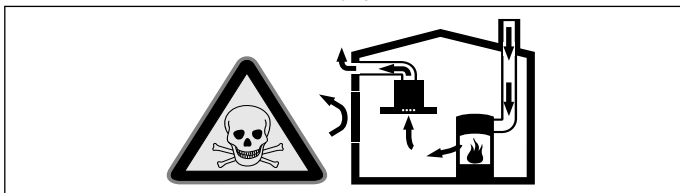
Bryt alltid strömtillförseln innan du genomför arbeten av alla slag. Gällande byggregler och lokala föreskrifter beträffande gas och el måste följas i samband med monteringen.

Följ gällande föreskrifter och lagar (t.ex. byggnorm) för evakuering.

Livs fara!

Förbränningsgaser som sugas tillbaka kan orsaka förgiftning.

Sörj alltid för en god lufttillförsel om enheten körs i frånluftsdrift i närheten av en eldstad som utnyttjar inomhusluften.

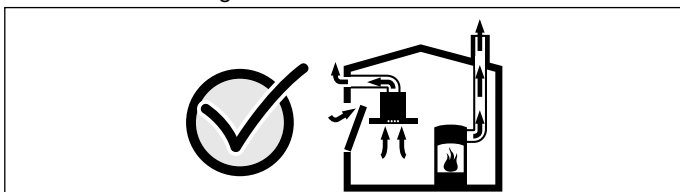


Eldstäder som är beroende av rumsluft (t.ex. värmeapparater som drivs med gas, olja, ved eller kol, genomströmningsapparater, varmvattenberedare) tar sin förbränningsluft ur det utrymme där enheten är installerad och leder ut avgaserna i det fria via en avgasanläggning (t.ex. skorsten).

När en köksfläkt är igång dras rumsluften från köket och intilliggande rum - om tillräcklig tilluft saknas uppstår undertryck. Giftiga gaser sugas då tillbaka från skorstenen eller utloppsschaktet och in i bostadens rum.

- Därför måste man se till att det finns tillräckligt med tilluft.
- Enbart ett ventilationsgaller för till-/frånluft säkerställer inte att gränsvärdena upprätthålls.

Säker drift är möjlig endast om undertrycket i det rum där eldstaden befinner sig inte överskrider 4 Pa (0,04 mbar). Detta uppnår du genom att låta den luft som krävs för förbränningen strömma till genom öppningar som inte går att stänga, t.ex. dörrar, fönster, genom ventilationsgaller för tilluft/frånluft eller med hjälp av andra tekniska åtgärder.



Rådgör i varje enskilt fall med lokalt ansvarig sotare, som kan bedöma husets ventilationssystem i sin helhet och föreslå lämpliga åtgärder för ventilationen.

Om köksfläkten körs enbart med cirkulationsdrift, kan den användas utan begränsningar.

Livs fara!!

Rökgaser som går i retur kan ge förgiftning. Fläktens strömmatning måste ha en särskild säkerhetsbrytare vid fläktinstallation i utrymmen med eldstäder som drar rumsluft.

Brandrisk!

Avlagringar i fettfiltret kan antändas. Använd aldrig öppen eldslåga i närheten av enheten (t.ex. flambering). Produkten får endast monteras i närheten av eldstad för fasta bränslen (t.ex. trä eller kol) om eldstaden har ett slutet, ej avtagbart lock. Den får inte ge ifrån sig gnistor.

Risk för personskador!!

- Ändringar på de elektriska eller mekaniska konstruktionerna är farliga och kan leda till felfunktion. Ändra aldrig de elektriska eller mekaniska konstruktionerna.
- Du kommer åt delar vid montering som kan ha vassa kanter. Använd alltid skyddshandskar.
- Enheten är tung. Det krävs två personer för att flytta enheten. Använd endast härför avsedda hjälpmedel.
- Risk för personskador pga. roterande fläkt. Slå inte på enheten förrän den är inbyggd. Sträck dig aldrig in i evakueringsöppningen på baksidan av enheten när den är igång.

Kvävningsrisk!

Förpackningsmaterial är farligt för barn. Låt aldrig barn leka med förpackningsmaterialet.

Enheten är inte avsedd för inbyggnad på båt eller i fordon.

Bänkskiva: plan, vågrät, stabil. Följ instruktionerna från bänkskivans tillverkare.

Är bänkskivan du ska montera hällen i inte tillräckligt tjock, förstärk den med brandsäkert och vattentåligt material så att du uppnår rekommenderad minimitjocklek. Annars ger den inte tillräcklig stabilitet.

Anvisning

- Bänkskivan du ska montera hällen i ska klara belastningar på ca 60 kg.
- Anpassningar av bänkskivan enligt inbyggnadsritningen kräver specialishantverkare. Urtagkanterna måste vara rena och exakta eftersom kanten syns ovanpå. Rengör och fetta av urtagkanterna med lämpligt rengöringsmedel.

Allmänna anvisningar

Höljet är känsligt. Undvik att skada det vid installationen.

Frånluftsdrift

Anvisning: Evakueringen får varken gå via befintlig rök- eller skorstengång i bruk eller via ventilationskanal från utrymme med eldstad.

Evakuering via rök- eller skorstengång som inte är i bruk kräver sotningsgodkännande.

Frånluftsledning

Anvisning: Tillverkaren av enheten tar inget ansvar för problem som beror på rödragningen.

- Enheten ger optimal effekt med kort, rak evakuering med största möjliga rördiameter.
- Lång, grov evakuering, många rörböjar, eller rördiametrar under 150 mm ger inte optimalt utsug och fläktljudet blir dessutom högre.
- Evakueringsrör och -slangar får inte vara av brännbart material.
- Ska evakueringen gå genom yttervägg, använd anslutningslåda mot mur.

Skaderisk vid kondensåterflöde. Frånluftskanalen installeras något sluttande (1° fall).

Rundrör

Vi rekommenderar inner-Ø 150 mm.

Plankanaler

Invändigt tvärsnitt ska motsvara rundrörs-Ø.

Ø 150 mm ca 177 cm²

- Plankanalerna får inte ha skarpa hörn.
- Använd röretejp vid avvikande rör-Ø.

Cirkulationsdrift

Anvisning: Enheten kräver fast installation och ansluten rödragning.

Elektrisk anslutning

Du hittar de anslutningsuppgifter du behöver på enhetens typskylt. Den här enheten är avstörd enligt EU:s bestämmelser för radioavstörning.

Det är bara behörig elektriker som får elansluta enheten. Enheten kräver installation i enlighet med de senaste IEE-riktlinjerna (Institution of Electrical Engineers). Felanslutning kan skada enheten.

Se till så att nätspänningen matchar det värde som står på typskylten.

Se till så att elnätet är rätt jordat och att husets avsäkring, sladdar och ledningar är dimensionerade för enhetens effekt.

Tänk på följande när du drar sladden:

- se till så att du inte klämmer eller viker sladden.
- se till så att sladden inte går över vassa kanter.
- Se till så att sladden inte är i kontakt med metallhöljet på enhetens undersida eftersom det blir varmt.

Kontrollera avsäkringarna innan du ansluter enheten. Kontrollera att avsäkringen räcker till för installationen. Enhetens spänning och frekvens måste matcha elinstallationen (se typskylten).

Enheten har skyddsklass I och ska ha jordad elanslutning.

Installationen kräver allpolig brytare med brytavstånd på minst 3 mm. Det måste gå att komma åt den även efter inbyggnad.

Det är bara behörig elektriker som får installera uttag eller byta sladd enligt gällande föreskrifter.

Du måste ev. vrida enheten för att byta sladden. Ta i så fall av filterskyddet och ta bort metallfilter och behållare. Då ramlar komponenterna inte ut.

Trasig sladd till enheten kräver byte med sladd av typ H05V2V2-F.

Förbereda installationen

Enhetens mått och säkerhetsavstånd

- Håll enhetsmått för cirkulationsdrift. (**bild A**)
- Håll enhetsmått för evakuering. (**bild B**)
- Se till så att det går att komma åt för att byta aktiva kolfilter, tömma bränningsbehållaren och ta av fläktkåporna på enheten efter installationen. (**bild C**)
- Håll säkerhetsavstånden. (**bild C,1**)

Kontrollera möbelstommen

- Inbyggnadsstommen skall vara vågrät injusterad och ha tillräcklig bärighet.
- Enhetens maxvikt är ca **25 kg**.
- Stommen måste tåla temperaturer på upp till 90°C.
- Stommen ska vara stabil även efter att du gjort urtagen.
- Är bänkskivorna tunna, se till så att underbyggnaden ger bärighet och stabilitet. Ta med enhetens vikt inkl. belastningen på enheten i beräkningarna. Förstärkningsmaterialet ska vara värme- och fuktåligt.
- Du måste anpassa låddjupet under enheten till rördragning och bänkskivdjup. Du måste ta bort översta lådan, den går inte att använda.
- Avståndet mellan bänkskiva och lådöverdel ska vara 215 mm.
- Ingen underliggande inbyggnad av ugnar, kylar, diskmaskin, oventilerade ugnar eller andra enheter.

Anvisning: Kontrollera att enheten är i våg efter att du installerat den i urtaget.

Förbereda stommarna

1. Gör urtagen i bänkskivan enligt monteringskissen. (**bild 1**)

Anvisning: Kantvinkeln mot bänkskivan ska vara 90°.

Urtagkanterna måste vara jämna på sidorna. Fäst ev. lister på sidkanterna i urtaget på bänkskivor av sandwichmaterial.

2. Hällen kräver angiven ventilation för att enheten ska fungera ordentligt. Gör en evakuering i underskåpet med minimiarea på 200 cm².
3. Håll minimiavstånden vid inbyggnad över låda. (**bild C**)
4. Ta bort översta lådan och sätt på en matchande panel på stommen.

Förbereda stomme och enhet för cirkulationsdrift

Göra stomurtag

1. Gör en evakuering i stommens sockellist.

Anvisning: Evakueringen ska ha en tvärsnittsarea om min. ca 720 cm². Gör evakueringen i sockelfronten så stor som möjligt, så att du håller ned luftdrag och ljudnivå.

2. Ta bort stomryggen.
3. Ta bort övre listen på stomryggen, om det behövs.
4. Mät upp mittpunkten i bakkant av bänkskivsurtaget och för över den och de båda linjerna lodrätt nedåt på stombotten. (**bild 2a**)
5. Rikta upp fästplåten mot mittlinjen på stombotten. (**bild 2b**)
6. Lådor: stäng nedersta lådan helt. Försvinner fästplåten för långt under lådan, skjut den mot stomryggen. Rikta fästplåten parallellt med mittlinjen med hjälp av markeringarna. (**bild 2c**)

Anvisning

- Är avståndet mellan låda och stombotten för litet för att skruva fast fästplåten i stombotten, vrid fästplåten 180° och skruva fast den underifrån i stombotten (**bild 3b**). Rikta först in fästplåten ovanifrån på stombotten, så att fästplåten hamnar rätt. (**bild 2c**)

- Använd matchande förlängning beroende på fästplåtens läge.
- Går det inte skjuta bak fästplåten tillräckligt, använd kortare lådor.

7. Markera och gör urtag i stombotten mha. fästplåten, om det behövs. (**bild 2d**)

8. Ta bort spånen efter urtagningen.

Anvisning: Försegla kanterna värmebeständigt och vattentätt.

Skruva fast fästplåten och snäpp fast spridaren

1. Skruva fast fästplåten med plastskruv ovanifrån i nedre plankanalböjen om det finns tillräckligt avstånd mellan låda och stombotten. (**bild 3a**)

Anvisning: Vrid nedre plankanalböjen så att evakueringen hamnar på motsatt sida, om det behövs.

2. Skruva fast fästplåten med träskruv ovanifrån i stombotten. (**bild 3a**)

Anvisning: Är avståndet mellan låda och stombotten för litet för att skruva fast fästplåten i stombotten, vrid fästplåten 180° och skruva fast den underifrån i stombotten. (**bild 3b**)

3. Snäpp fast spridaren i nedre plankanalböjen. (**bild 3c**)

Montera övre plankanalböjen

1. Använd förlängning, om det behövs, beroende på fästplåtens läge och stomdjupet. Ju längre förlängning, desto djupare kan lådan vara. Skruva fast förlängningen med 4 plastskruvar i hållöppningen. (**bild 4**)
2. Skruva fast övre plankanalböjen i hållöppningen eller förlängningen.

Förbereda stomme och enhet för evakuering

1. Skruva fast övergången eller plankanalböjen med 4 plastskruvar i hållöppning eller förlängning. (**bild 5**)

Anvisning: Skruva fast matchande hållförlängning, om det behövs. Mät upp tillåtet låddjup T så att det blir 10 mm-avstånd till evakueringen. Låddjupet kan variera beroende på använd förlängning. (**bild 5**)

2. Gör ett urtag baktill i stommen, ta bort stomryggen eller gör ett urtag i stombotten beroende på evakueringskonfigurationen.
3. Ta bort spånen efter urtagningen.

Anvisning: Försegla kanterna värmebeständigt och vattentätt.

Förbereda elanslutningen

Anvisning: Följ avsnittet **Elanslutning** i kap. **Allmänna anvisningar**.

Enheter utan förmonterad sladd, för in sladden i kopplingsdosan.

1. Vänd hällen och lägg den på botten av förpackningen, en handduk eller annan yta så att den inte blir repad.
2. Lyft locket till kopplingsdosan med mejsel. (**bild 6**)
3. Lossa fästskruven och lyft slangklämman med mejsel. (**bild 7**)
4. Anslut alltid som bilden på kopplingsdosan anger (**bild 8**):
BN: brun
BU: blå
GN/YE: gulgrön
BK: svart
GY: grå

Anvisning

- Montera de medföljande kopparbyglingarna enligt kopplingsdiagrammet, om det behövs.
 - Se till så att skruvarna i kopplingsdosan är ordentligt åtdragna efter sladdanslutningen.
 - Vid 2N~/3N~-anslutning går fas L1 (grå) till fläktmotorn.
5. Fäst sladden med slangklämman och dra åt fästskruven. (**bild 9**)
 6. Sätt på locket till kopplingsdosan.

Anvisning: Placera sladden mitt i kopplingsdosan, så går det lättare att stänga.

Anvisning: Behöver du längre sladd, kontakta service. Det finns upp till 2,2 m långa sladdar.

Montera enheten

⚠ Om du har elektroniska implantat!

Enheten kan innehålla permanentmagneter som kan påverka elektroniska implantat som t.ex. pacemaker och insulinpumpar. Håll 10 cm minimiavstånd vid installation om du har elektroniska implantat.

⚠ Risk för elstötar!

Det finns komponenter inuti enheten som har vassa kanter. Anslutningskabeln kan skadas. Anslutningskabeln får inte vikas eller klämmas vid installationen.

⚠ Risk för personskador!

Du kommer åt delar vid montering som kan ha vassa kanter. Använd alltid skyddshandskar.

Sätta i hällen

1. Sätt dit fästskenor. (bild 10a)

Limma fast skenor på stenkänkskivor (använd värmetåligt lim för metall och sten).

2. Sätt i enheten i bänkskivsurtaget. (bild 10b)

3. Fäst de medföljande fästklamrarna och dra åt försiktigt. Rikta in hällen jämnt mot bänkskivan med fästklamrarna. (bild 10c)

Anvisning: Använd inte skruvdragare.

Anslut enheten

Anvisningar

- Montera backspjäll med max. öppningstryck på 65 Pa vid evakuering. Följer det inte med något backspjäll till enheten, köp hos din återförsäljare.
- Ska evakueringen gå genom yttervägg, använd anslutningslåda mot mur.

Ansluta evakueringen

1. Fäst evakueringen på plankanalböjen eller övergången. (bild 11)
2. Koppla ihop med evakueringsöppningen.
3. Täta anslutningarna på lämpligt sätt.

Cirkulationsdrift

1. Snäpp fast filtermodulen i nedre plankanalböjen eller skruva fast, om det behövs. (bild 12a)

Anvisning: Vrid filtermodulen, om det behövs, så att lådan för det aktiva kolfiltret går att öppna från motstående sida.

2. Snäpp fast flexkopplingen i övre plankanalböjen.
3. Koppla ihop filtermodulen och övre plankanalböjen med flexkopplingen.

Anvisning: Montera förlängningar mellan filtermodul och flexkoppling, om det behövs.

4. Öppna alla spjäll på lådan. Öppna lådan. (bild 12b)
5. Sätt i aktivt kolfilter. (bild 12c)
6. Stäng lådan.
7. Stäng alla spjäll på lådan.

Elanslut enheten

- Spänning: se typskylten.
- Anslut alltid som kopplingsschemat anger (bild 13):
 - BN: brun
 - BU: blå
 - GN/YE: gulgrön
 - BK: svart
 - GY: grå
- Ändra fabriksledarändhysorna så att de matchar anslutningstypen, om det behövs. Du måste eventuellt korta ledarna och ta bort isoleringen för att sätta i ledarändhysorna som kopplar ihop ledarna.

Anvisning: Kontrollera att enheten är redo att använda: får du upp *U400*, *E05 13* eller *E*, på enhetens display, så är den inte rätt ansluten. Gör enheten strömlös och kontrollera sladdanslutningen.

Ställa om displayen till evakuering eller cirkulationsdrift

Slå om displayen till elektroniken för evakuering eller cirkulationsdrift i grundinställningarna, om det behövs.

Följ kap. **Grundinställningar** i bruksanvisningen.

Demontera enheten

1. Gör enheten strömlös.

⚠ Risk för elektrisk stöt! !

Plintarna kan ge returspänning om du lossar hällens elanslutning. Det är bara behörig elektriker som får göra elanslutningen.

2. Ta bort evakueringskanalen eller lossa cirkulationskopplingarna.
3. Tryck ut enheten underifrån.

Obs!

Risk för enhetsskador!: Lyft inte ur enheten ovanifrån.

